

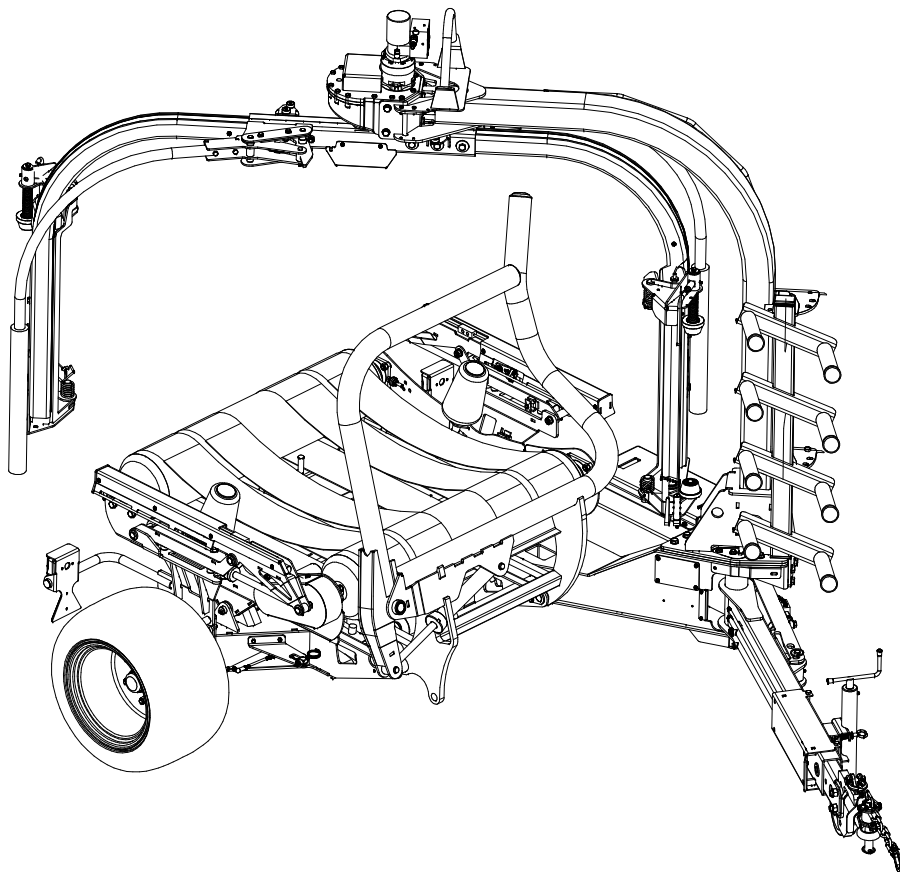
McHale HS2000



QUALITY

I.S. EN ISO 9001:2008

NSAI Certified



HS2000 Spare Parts Book

McHale,
Ballinrobe,
Co. Mayo, Ireland.

Tel: +353 94 9520300

Fax: +353 94 9520356

Email: sales@mchale.net

Website: www.mchale.net

CLICK HERE TO **DOWNLOAD** THE COMPLETE MANUAL

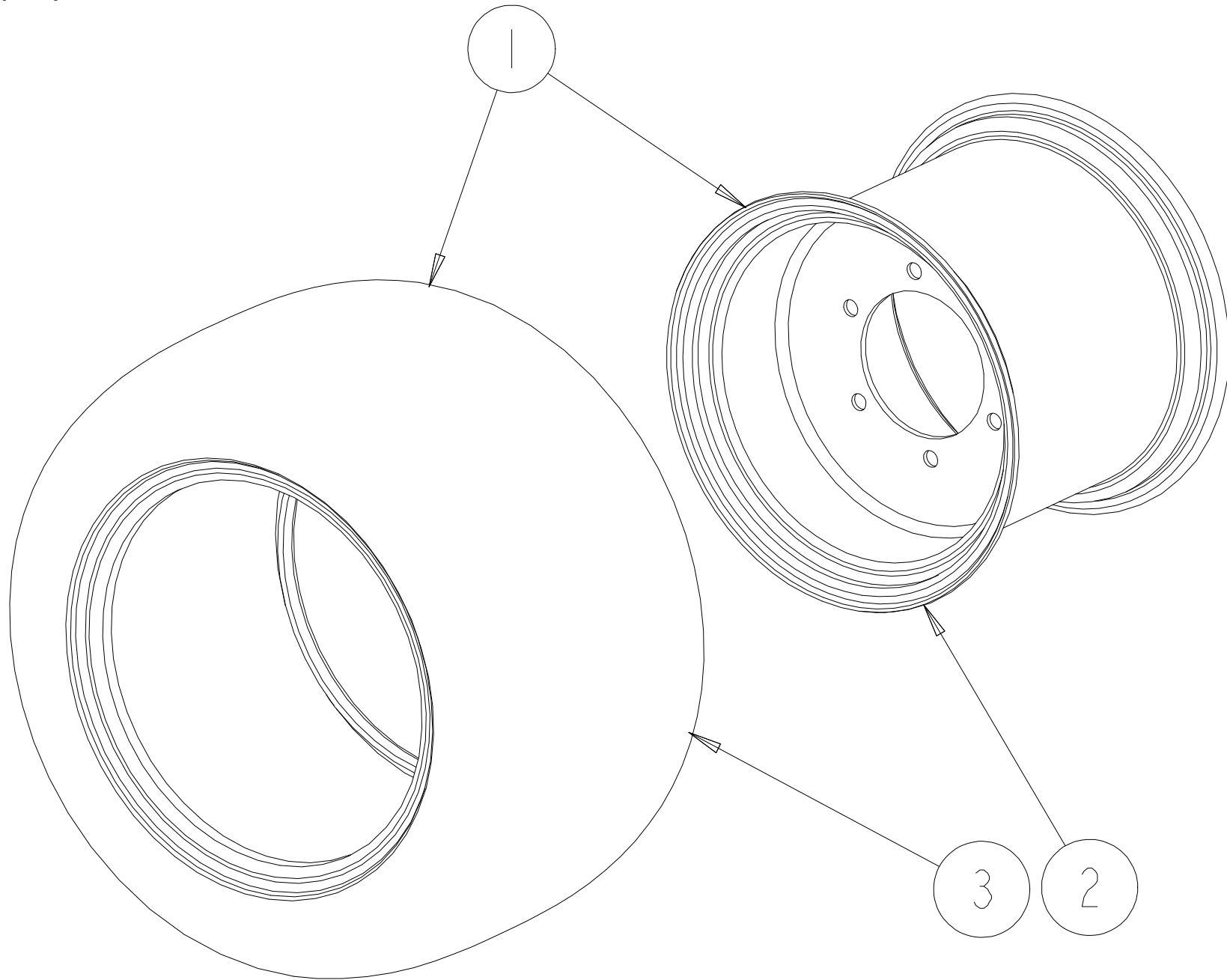
- Thank you very much for reading the preview of the manual.
- You can download the complete manual from: www.heydownloads.com by clicking the link below



- Please note: If there is no response to CLICKING the link, please download this PDF first and then click on it.

CLICK HERE TO **DOWNLOAD** THE COMPLETE MANUAL

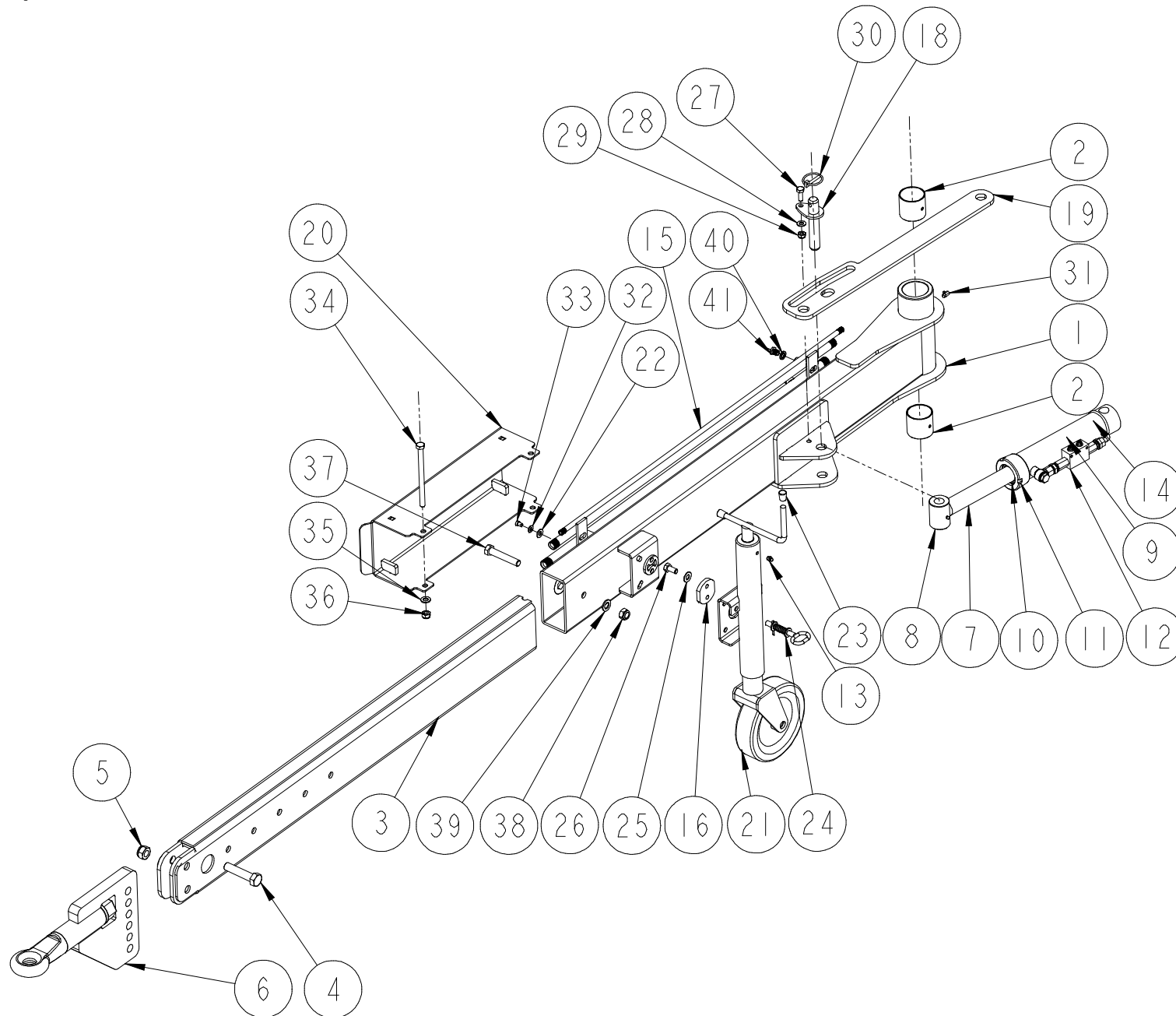
Wheels (204)



No.	Part No	Description	Qty
1	ACT00026	CUT & HOLD ASSY LEFT COMBI 2000	1
2	ACT00035	CUT&TIE WELDED ASSY COMBI 2000	1
3	CRA00170	RAM 32X25 LOWER C&H HS2000	1
4	CRA00177	SEAL GLAND FOR CRAOOI70 BOTTOM	1
5	CRA00178	RAM ROD FOR CRAOOI70	1
6	CRA00179	SEAL GLAND FOR CRAOOI70 TOP	1
7	CRA00180	RAM CAP FOR CRAOOI70	1
8	CBR00022	BEARING GLACIER BB 1617 DU	2
9	CFA00118	GREASE NIPPLE M8X1.25 STRAIGHT	1
10	CSE00114	SEAL KIT FOR RAM CRAOOI70	1
11	ACT00028	LINK ARM I CUT & HOLD COMBI 2000	1
12	CMH00528	BOLTM16X65MACHINED	1
13	CMH00530	BOLTM16X142MACHINED	1
14	CMH00529	BOLTM16X105MACHINED	1
15	CFA00250	WASHERSKM12	2
16	CFA00124	NUT M12 NYLOC	2
17	CFA00140	WASHERFLAT16MMZIP	4
18	CFA00128	NUT M16 NYLOC	3
19	CFA00374	HOSE CLAMP 14MM (2 PER SET)	3
20	CFA00183	HOSE CLAMP COVER PLATE 14MM	3
21	CFA00055	BOLT M8X35 Z/P	3

No.	Part No	Description	Qty
-----	---------	-------------	-----

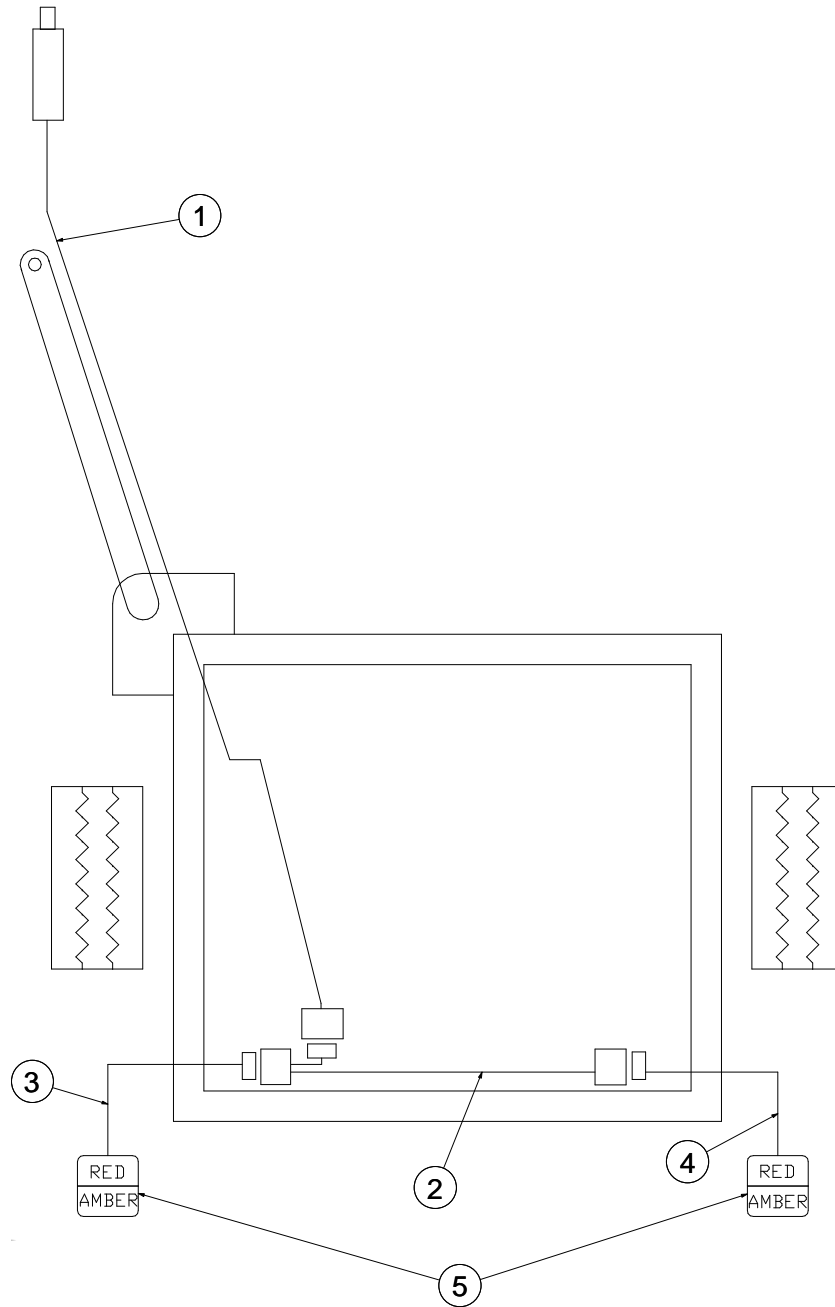
Drawbar (215)



No.	Part No	Description	Qty
1	CHY02185	1/4" 700MM F BSP O TO F BSP O	1
2	CHY02186	3/8" 700MM F BSP O TO F BSP O	1
3	CHY02187	1/4" 600MM F BSP O TO F BSP O	1
4	CHY02063	1/4" 650MM F BSP O TO F BSP O	1
5	CHY02064	3/8" 550MM F BSP O TO F BSP O	1
6	CHY02065	3/8" 525MM F BSP O TO F BSP O	1
7	CHY02186	3/8" 700MM F BSP O TO F BSP O	1
8	CHY02066	3/8" 825MM F BSP 900 TO F BSP 900,900	1
9	CHY02067	1/4" 1100MM F BSP 900 TO F BSP 900,2500	2
10	CHY02068	1/4" 300MM F BSP 900 TO M BSP O	1
11	CHY02069	1/4" 225MM F BSP O TO F BSP 900	1
12	CHY02070	1/4" 325MM F BSP 900 TO F BSP 900,2700	1
13	CHY02071	3/8" 725MM F BSP 900 TO F BSP 900,900	1
14	CHY02072	3/8" 2400MM F BSP 900 TO F BSP O	2
15	CHY02073	3/8" 2600MM F BSP 900 TO F BSP 900,1800	1
16	CHY02074	3/8" 2500MM F BSP 900 TO F BSP 45"	1
17	CHY02075	3/8" 725MM F BSP O TO F BSP 900	1
18	CHY02077	3/8" 2200MM F BSP 900 TO F BSP O	2
19	CHY02078	3/8" 2400MM F BSP 900 TO F BSP 900	2
20	CHY02082	3/8" 450MM F BSP O TO F BSP 900	1
21	CHY02083	3/8" 525MM F BSP 900 TO F BSP O	2
22	CHY02084	3/8" 425MM F BSP 900 TO F BSP O	1
23	CHY02116	5/8" 1 000MM F BSP O TO M BSP O	1
24	CHY02117	1/2" 1000MM F BSP O TO M BSP O	1
25	CHY02049	1/4" 2250MM F BSP O TO F BSP 900	2
26	CHY02050	1/4" 1550MM F BSP O TO F BSP 900	2
27	CHY02051	1/4" 1400MM F BSP 900 TO F BSP 900,900	1
28	CHY02052	1/4" 3300MM F BSP O TO F BSP 900	2
29	CHY02053	1/4" 2800MM F BSP O TO F BSP 900	2
30	CHY02054	1/2" 1500MM M BSP O TO F BSP O	1
31	CHY02055	5/8" 1400MM F BSP O TO F BSP O	1
32	CHY02056	1/4" 1500MM M BSP O TO F BSP O	1
33	CHY02057	1/2" 750MM F BSP O TO F BSP 900	1
34	CHY02058	5/8" 825MM F BSP O TO F BSP 900	1
35	CHY02059	1/4" 575MM F BSP O TO F BSP 900	1

No.	Part No	Description	Qty
-----	---------	-------------	-----

Electrical lighting (220)



CLICK HERE TO **DOWNLOAD** THE COMPLETE MANUAL

- Thank you very much for reading the preview of the manual.
- You can download the complete manual from: www.heydownloads.com by clicking the link below



- Please note: If there is no response to CLICKING the link, please download this PDF first and then click on it.

CLICK HERE TO **DOWNLOAD** THE COMPLETE MANUAL