

McHale

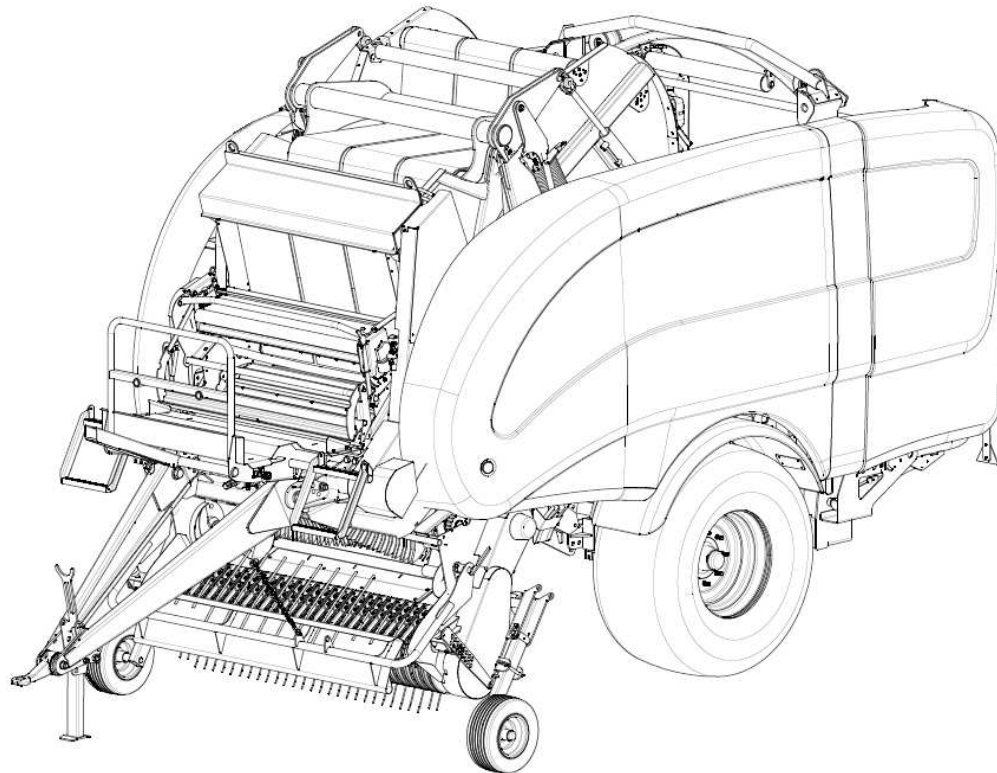
FUSION
VARIO



QUALITY

I.S. EN ISO 9001:2008

NSAI Certified



FUSION VARIO **Spare Parts Book**

McHale,
Ballinrobe,
Co. Mayo, Ireland.

Tel: +353 94 9520300

Fax: +353 94 9520356

Email: sales@mchale.net

Website: www.mchale.net

CLICK HERE TO **DOWNLOAD** THE COMPLETE MANUAL

- Thank you very much for reading the preview of the manual.
- You can download the complete manual from: www.heydownloads.com by clicking the link below



- Please note: If there is no response to CLICKING the link, please download this PDF first and then click on it.

CLICK HERE TO **DOWNLOAD** THE COMPLETE MANUAL

No.	Part No	Description	Qty
1	ACH00317	ROTOR 23 - 25 KNIFE WELD ASSY	1
1a	CZF02684	6MML ROTOR PLATE (23-25 KNIFE)	AR
<i>REPLACEMENT ROTOR FINGER PLATE (NOTE: THERE ARE 2 FINGER PLATES PER FLIGHT)</i>			
1	ACH00573	ROTOR 15 KNIFE WELD ASSY	1
1a	CZG02136	8MM L ROTOR PLATE (0-15 KNIFE)	AR
<i>REPLACEMENT ROTOR FINGER PLATE (NOTE: THERE ARE 2 FINGER PLATES PER FLIGHT)</i>			
1	ACH01353	KOREAN ROTOR (12MM FINGERS) 2 STAR	1
<i>KOREAN (2 STAR ROTOR) MACHINES ONLY</i>			
2	ACH00908	PICKUP WHEEL HINGE WELD ASSY	2
3	ACH00909	PICKUP GUIDE WHEEL WELD ASSY	2
4	ACH00911	PICKUP GUIDE WHEEL COMP ASSY	2
5	ALA00634	COMB 25 KNIFE V6 RANGE	1
5	ACH01046	COMB WELD 15 KNIFE BELT BALER MKII	1
5	ACH01385	COMB ASSY V660 KOREA (2 STAR ROTOR)	1
<i>KOREAN (2 STAR ROTOR) MACHINES ONLY</i>			
6	ACH02331	GRASS GUARD ASSY FUSION	1
7	ACN00065	GRASS GUARD CHAIN ASSY FUSION	1
<i>CHAIN ASM INCLUDES SHACKLE & LINCH-PIN</i>			
8	ALA00035	HINGE PIN REEL FRONT	2
9	ALA00036	PIN WHEEL HINGE ASSY.	2
10	ARC00227	GRASS GUARD 23K ROTOR END SPUN	2
<i>25K MACHINES ONLY</i>			
10	ARC00182	ROTOR SEAL RING ASM (KOREA) M1	2
<i>15K & KOREAN MACHINES ONLY</i>			
11	CBR00009	BEARING 6205 2RS	4
12	CCH02039	CHAIN 7x22X25 LINKS	1
13	CFA00004	R-CLIP 4MM	2
14	CFA00022	SETSCREW M10X16 Z/P	6
15	CFA00025	SETSCREW M10X30	7
16	CFA00033	SETSCREW M12X35 Z/P	4
17	CFA00079	BOLT M12X45	2
18	CFA00124	NUT M12 NYLOC	6
19	CFA00134	WASHER MUDWING M10X38MM OD	2
20	CFA00138	WASHER FLAT 12MM Z/P	4
21	CFA00194	LINCH PIN PIPE 10MMX50MM	2
22	CFA00202	LINCH PIN 6MM	1
23	CFA00250	WASHER SKM12	4
24	CFA00251	WASHER SKM10	8
25	CFA00293	SETSCREW M10X20 Z/P	2
26	CFA00384	BOLT M12X80	4
27	CFA00676	D SHACKLE 8MM	1
28	CMH00675	PIN 25 X 140 MILLED FOR CAP Z/P	2
29	CMH00771	BUSH 12X35 STEPPED	2
30	CMH00838	BUSH 27X30.25X62 REEL WHEEL	2
31	CTP00070	DUST CAP 170/60-8 VREDESTEIN	2
32	CWH00037	WHEEL 170/60 -8 (V 64)	2
<i>WHEEL ASM INCLUDES BUSHING & BEARINGS</i>			
33	CZF00293	6MM L CAP SHORT FOR 25MM PINS	2
34	CZH02472	10MM L WHEEL GUIDE PART	2
35	CZH02522	10MM L WHEEL GUIDE PART	2

No.	Part No	Description	Qty
36	CFA00005	LINCH PIN 10MM	2

No.	Part No	Description	Qty
1	ARC00324	CROP ROLLER WELD ASSY SMALL	1
2	ARC00325	CROP ROLLER COVER PLATE ASSY	1
3	ARC00326	CROP ROLLER SIDE PLATE ASSY (RHS)	1
4	ARC00327	CROP ROLLER SIDE PLATE ASSY (LHS)	1
5	CBR00299	BEARING 206 NPPB 30MM SPHERICAL	2
6	CCH00186	CHAIN 7X20 X 30 LINKS	2
7	CFA00002	CIRCLIP INTERNAL 20X1 DIN 472	2
8	CFA00010	ROLL PIN 8X50 Z/P	4
9	CFA00025	SETSCREW M10X30 ZP	2
<i>REPLACES CFA00016</i>			
10	CFA00123	NUT M10 NYLOC	2
11	CFA00129	NUT M20 NYLOC	2
12	CFA00201	WASHER FLAT 10 MM Z/P	4
13	CFA00202	LINCH PIN 6MM	2
14	CMH00148	SHAFT 30X95 M20 THREAD	2
15	CMH01445	BUSH 30X50X25 Z/P	2

No.	Part No	Description	Qty
-----	---------	-------------	-----

No.	Part No	Description	Qty
1	ADB00120	HANDBRAKE LEVER BRACKET	1
2	ADB00104	JACK SCREW F5 SERIES C/W CROP	1
<i>INCLUDES ITEMS 4, 22 & 23</i>			
3	CAX00090	HAND BRAKE LEVER	1
<i>USED ON STANDARD MACHINES</i>			
3	CAX00154	HAND BRAKE LEVER COMP ASSY	1
<i>USED ON FRENCH MACHINES ONLY</i>			
4	CFA00004	R-CLIP 4MM	1
5	CFA00100	BOLT M8X40 Z/P	1
6	CFA00106	BOLT M8X45 Z/P	1
7	CFA00123	NUT M10 NYLOC	5
8	CFA00128	NUT M16 NYLOC	1
9	CFA00132	NUT M8 NYLOC Z/P	4
10	CFA00133	NUT M8 Z/P	1
11	CFA00147	WASHER FLAT 8MM Z/P	6
12	CFA00201	WASHER FLAT 10 MM Z/P	11
13	CFA00230	SETSCREW M10X30 Z/P	5
14	CFA00249	WASHER SKM8	1
15	CFA02217	D SHACKLE 0.5T Z/P	2
16	CMH00742	BUSH 8X20X13 ZINC PLATED	2
17	CMH01186	PULLEY 50X10X16 6MM ROPE	3
18	CSG00211	SRING COIL 3 X 19 X 135 27COILS	1
19	ACH00708	PARKING JACK FUSION	1
<i>LOW HITCH (INCLUDES ITEM 20) REPLACES CTP00294</i>			
20	CTP00297	PARKING JACK HANDLE	1
<i>LOW HITCH ONLY</i>			
21	CTP00333	HANDBRAKE CABLE FUSION	1
22	CTP00081	EXT PIECE PARKING JACK	1
23	CTP10002	PIN PARKING JACK BALER	1
24	CZC04376	3MM L FUSION HANDBRAKE	2
25	CZF03267	6MM L PULLEY COVER FUSION	1
26	CZF05030	6MM L HAND BRAKE LEVER BASE	1
27	CZH02914	10MM L PTO STAND PAR	1
<i>USED WITH LOW DRAWBAR HITCH ONLY (SHOWN)</i>			
27	ADB00163	HIGH DRAWBAR PTO HOLDER	1
<i>CHAIN USED WITH HIGH DRAWBAR HITCH ONLY (NOT SHOWN)</i>			

No.	Part No	Description	Qty
-----	---------	-------------	-----

No.	Part No	Description	Qty
1	CAX00101	AXLE 80MM FUSION2 400X80 AIR BRAKE	1
<i>COMPLETE AXLE ASM INCLUDING ITEMS 2 THROUGH 34</i>			
2	CAX00048	BRAKE HUB AIR 32212 OUTER BRNG	2
<i>INCLUDES ITEMS 4, 26, 28 & 34</i>			
4	CAX00055	STUD FOR AXLE B80L030D/S	16
5	CAX00056	NUT M18X1.5X27AF AX B80L030D/S	16
6	CAX00057	WASHER 18MM AXLE B80L030D/S	16
7	CAX00059	HUB NUT (B80L030D/S) 328F014	2
8	CAX00060	BRAKE SHOE ASM 400X80 CAX00101	2
<i>INCLUDES SPRINGS (ITEMS 16)</i>			
10	CAX00098	HUB CAP FUSION 307F050	2
12	CAX00132	ADJUSTABLE BRAKE LEVER FAD 320F082	2
14	CAX00184	CAMSHAFT CAX00101 AIR BRAKE S/N 653793 ON	2
<i>USED FROM SERIAL No 653793</i>			
14	CAX00200	CAMSHAFT SHORT CAX101 AIR BRAKE UP TO S/N 653792	2
<i>USED UP TO SERIAL No 653792</i>			
15	CAX00187	O RING CAX00096/101 BRAKE 341F069	2
16	CAX00188	SPRING CAX00101 BRAKE 322F016	4
18	CAX00190	SLEEVE CAX00096/101 BRAKE 349F0341	2
19	CAX00191	SPRING CLIP CAX00096/101 BRAKE 322F046	2
20	CAX00192	CIRCLIP CAX00096/101 BRAKE 341F044	2
22	CAX00195	CIRCLIP CAX00101 BRAKE 332F009	2
23	CAX00197	WASHER 28X50X4 BRAKE CAX00101 AIR 329F012	2
24	CAX00198	NUT CROWN M27X2 BRAKE CAX00101 AIR 328F004	2
26	CBR00100	BEARING WHEEL 32215 FUSION	2
<i>PART OF WHEEL BEARING KIT CAX00121 (ITEMS 26, 28 & 34)</i>			
28	CBR00282	WHEEL BEARING 32212	2
<i>USED FROM SERIAL No 653704 (PART OF WHEEL BEARING KIT CAX00121)</i>			
28	CBR00099	BEARING WHEEL 32211 FUSION	2
<i>USED UP TO SERIAL No 653703 (PART OF WHEEL BEARING KIT CAX00121)</i>			
30	CFA00021	SPLIT PIN 4X50 Z/P	2
32	CFA00410	SPLIT PIN 6X90	2
34	CSE00014	SEAL HUB 80L030D/S FUSION BRAKE	2
<i>PART OF WHEEL BEARING KIT CAX00121 (ITEMS 26, 28 & 34)</i>			

No.	Part No	Description	Qty
-----	---------	-------------	-----

No.	Part No	Description	Qty
1	CBE00002	BUFFER RUBBER 50X21 M10X28	5
3	CBE00255	RUBBER REFLECTOR HANGER STRIP	1
5	CEL00077	REFLECTOR REAR TRIANGULAR RED	1
6	CEL00643	ROUND AMBER REFLECTOR STICK-ON	1
7	CEL00831	TAIL LIGHT, CIRCULAR, LED, FUSION 3	1
8	CFA00024	SETSCREW M10X25 Z/P	28
9	CFA00052	SETSCREW M8X20 Z/P	16
10	CFA00102	SETSCREW M8X25 Z/P	35
11	CFA00123	NUT M10 NYLOC	10
12	CFA00132	NUT M8 NYLOC Z/P	46
13	CFA00147	WASHER FLAT 8MM Z/P	86
14	CFA00201	WASHER FLAT 10 MM Z/P	10
15	CFA00249	WASHER SKM8	11
16	CFA00251	WASHER SKM10	28
17	CFA00312	SETSCREW M10X40 Z/P	2
18	CFA00321	NUT M5 NYLOC	5
19	CFA00337	WASHER FLAT 5MM Z/P	5
20	CFA00518	CAMLOC BALER DOOR	1
21	CFA00855	6MM MUDGUARD WASHER	2
22	CFA00943	U-BOLT 33.7 TUBE	2
23	CFA00952	U-BOLT M10 60.3 TUBE	2
24	CFA02316	SETSCREW M5X20 PAN HEAD Z/P	2
25	CFA02316	SETSCREW M5X20 PAN HEAD Z/P	2
26	CGD00253	REAR DOOR LATCH WELD ASSY FUSION PLASTIC PANEL	1
27	CGD00271	RH REAR DOOR ASSEMBLY FUS 3	1
<i>INCLUDES DECALS (SPECIFY MODEL WHEN ORDERING)</i>			
28	CGD00280	HINGE WELD ASSEMBLY RH FRONT FUSION	1
29	CGD00281	HINGE WELD ASSEMBLY RH REAR FUSION	1
30	CGD00292	FUSION LATCH ASSEMBLY FRONT RH PLASTIC PANEL	1
31	CGD00301	HINGE HOLDER WELD ASSEMBLY RH	1
32	CGD00305	CHAIN GUARD ROTOR DRIVE B/W	1
33	CGD00309	BUFFER BRACKET FUSION	3
34	CGD00319	PLASTIC PANEL RH FRONT FUSION VARIO	1
<i>INCLUDES DECALS (SPECIFY MODEL WHEN ORDERING)</i>			
35	CGD00321	PLASTIC PANEL INTERMEDIATE FUSION VARIO	1
<i>INCLUDES DECALS (SPECIFY MODEL WHEN ORDERING)</i>			
36	CGD00327	LATCH BRACKET ASSEMBLY RH B/W	1
37	CGD00363	BELT GUARD NET DRIVE VARIO	1
38	CMH01577	BUSH 20X52 M8 THREAD Z/P	1
39	CRA00655	GAS STRUT 1200N	2
40	CSG00263	SPRING EXTENSION 1.63X11.5X57	1
41	CST00744	STICKER 'MCHALE' RH REAR F3	1
42	CST00746	STICKER 'MCHALE' RH FRONT F3	1
43	CST00778	STICKER VARIO RH MIDDLE BACK	1
44	CST00779	STICKER VARIO RH MIDDLE FRONT	1
45	CZB04381	1.5MM L MAIN VALVE COVER	1
46	CZB04405	1.5MM L DISPENSER GUARD	1
47	CZD04548	4MM L HINGE LOCK PLATE FUSION 3	4
48	CZD04708	4MM DOOR LATCH RH REAR FUSION 3	1

No.	Part No	Description	Qty
49	CZF02902	6MM L DOOR RETAINING BRACKET	1
50	CZF06035	6MM PANEL LATCH HANDLE FUS 3	1
51	CZB04454	1.5MM L ELECTRICAL COVER PLATE F3+ & VARIO	1

No.	Part No	Description	Qty
1	ACH02524	6MM BRACE BRKT V6	1
2	ACH02532	BRACE WELD ASSY V6	1
3	ACH02548	BACK DOOR WELD ASSY RIGHT V6	1
4	ACH02557	REAR SIDE WALL LEFT V6	1
5	ACH02559	CROSS BEAM WELD ASSY V6	1
6	ACH02625	POTENTIOMETER BRACKET ASSY VARIO	1
<i>FROM SERIAL NO 801284 ONWARDS</i>			
6	ACH02587	POTENTIOMETER BRACKET ASSY MK3 V6	1
<i>SERIAL NO 800801 TO 800851, 801232 & 801245</i>			
7	ALA00494	TENSION ARM WELD ASSY V6 MKIII	1
8	ALA00496	45MM PIN ASSY V6	1
9	ALA00535	SPRING LINK ASSY V6	2
10	ALA00618	45MM PIN ASSY V6	1
11	CBR00039	BEARING GLACIER PM 2525 DX	2
12	CBR02003	BEARING GLACIER PM 4520 DX	4
13	CEL00785	ANGLE SENSOR, 120 DEGREE, 0.5-4.5VOLT	1
14	CEL00884	TENSION ARM ANGLE SENSOR ASSY	1
<i>INCLUDES ITEMS 13, 17, 34, 38, 39, 48 & 55</i>			
15	CFA00025	SETSCREW M10X30	2
16	CFA00032	SETSCREW M12X30 Z/P	8
17	CFA00052	SETSCREW M8X20 Z/P	1
18	CFA00078	SETSCREW M12X30 CUP SQ Z/P	20
19	CFA00116	BOLT M16X50 Z/P	4
20	CFA00118	GREASE NIPPLE M8X1.25 STRAIGHT	9
21	CFA00123	NUT M10 NYLOC	4
22	CFA00124	NUT M12 NYLOC	28
23	CFA00127	NUT M16	4
24	CFA00128	NUT M16 NYLOC	8
25	CFA00129	NUT M20 NYLOC	2
26	CFA00132	NUT M8 NYLOC Z/P	8
27	CFA00135	WASHER FLAT 1" Z/P	2
28	CFA00138	WASHER FLAT 12MM Z/P	8
29	CFA00140	WASHER FLAT 16MM Z/P	8
30	CFA00147	WASHER FLAT 8MM Z/P	4
31	CFA00201	WASHER FLAT 10 MM Z/P	12
32	CFA00208	GRUBSCREW M6X6 Z/P	1
33	CFA00229	SETSCREW M16X35 Z/P	4
34	CFA00249	WASHER SKM8	1
35	CFA00250	WASHER SKM12	28
36	CFA00252	WASHER SKM16	8
37	CFA00311	SETSCREW M10X35 Z/P	2
38	CFA00391	SETSCREW M4X16 Z/P	2
39	CFA00392	NUT M4 NYLOC	2
40	CFA00413	WASHER FLAT 20MM Z/P	2
41	CFA00447	SETSCREW M8X10 BUTTON HD Z/P	3
42	CFA00514	CIRCLIP 35MM EXTERNAL	2
43	CFA00561	EYE BOLT 16MM SPRING TENSIONER	4
44	CFA00581	SETSCREW M8X35 CSK Z/P	8
45	CFA00638	CIRCLIP EXTERNAL 33MM Z/P	2

No.	Part No	Description	Qty
46	CFA00953	BOLT SPECIAL V6 MK3	4
47	CFA01007	CIRCLIP 25MM EXTERNAL DIN471	2
48	CMH01553	BUSH 8X15X25 THREADED Z/P	1
<i>REPLACES CMH00599</i>			
49	CMH01300	PIN 25X93 M20 THREAD	2
50	CMH02340	BUSH 35X60X60 DOOR LOCK V660	2
51	CPL00111	BACK DOOR WEAR PLATE (VAR BALER)	4
52	CRA00712	BELT TENSION RAM V6 MKIII	2
52a	CSE00627	SEAL KIT V6 TENSION RAM INCL PISTON	1
53	CSG00242	TENSION SPRING ASSY V6	4
54	CVA00151	ACCUMULATOR 0.075L 50 BAR	1
55	CZC02544	3MM ANGLE SENSOR PRT TENSION ARM	1
56	CZE04248	WASHER 50X32.5X5	2
57	CZE04336	WASHER 59X35.5X5 BELT BALER	2
58	CZF06327	6MM L SPRING BRKT MK3 V6	2

CLICK HERE TO **DOWNLOAD** THE COMPLETE MANUAL

- Thank you very much for reading the preview of the manual.
- You can download the complete manual from: www.heydownloads.com by clicking the link below



- Please note: If there is no response to CLICKING the link, please download this PDF first and then click on it.

CLICK HERE TO **DOWNLOAD** THE COMPLETE MANUAL

No.	Part No	Description	Qty
1	ARC00170	DUAL DRIVE ROLLER COMPLETE	1
2	ART00293	BEARING HOUSING 76210 ASSY	1
3	ART00314	DUAL DRIVE ROLLER BELT BALER	1
4	CBR00083	BEARING 1726210-2RS RADIAL	2
5	CFA00028	BOLT M10X65 Z/P	3
6	CFA00251	WASHER SKM10	3
7	CFA00933	STUD M16X70 GRADE 10.9 F/TX1	1
8	CFA00520	SETSCREW M10X25 FLANGED 8.8 ZP	3
9	CFA00549	GREASE FITTING 6MM X 1/8"	2
10	CFA00783	WASHER NL16 NORD-LOCK	1
11	CMH01363	BEARING ROLLER SLEEVE 50 ID X18	1
<i>UP TO SERIAL NO 801349</i>			
11	CMH00906	BEARING ROLLER SLEEVE 50 ID X21	1
<i>FROM SERIAL NO 801350</i>			
13	CMH00905	BUSH 90X135X46 BEARING HOUSING	1
14	ARC00287	SPUN ROLLER SEAL DS V6	1
<i>ARC00287 & ARC00288 SHOULD BE REPLACED AS A PAIR</i>			
15	ARC00288	SPUN ROLLER SEAL NDS V6	1
<i>ARC00287 & ARC00288 SHOULD BE REPLACED AS A PAIR</i>			
16	CMH02349	BUSH 50X60X20	1
17	CMH02350	WASHER STEPPED 52X46X16	1
18	CMT00200	OVERRUNNING CLUTCH BELT BALER	1
19	CSE00099	SEAL OIL 58X80X8	1
20	CFA00386	NUT M16X1.5 NYLOC FINE DIN 985	2

No.	Part No	Description	Qty
-----	---------	-------------	-----

No.	Part No	Description	Qty
1	ARC00334	KIT NO 1 ROLLER ROD V6 SPARE PARTS	1
<i>UP TO SERIAL NO 800199. THIS KIT INCLUDES ITEMS 18, 19 & 20.</i>			
1	ARC00279	STARTER ROLLER ASSY V6	1
<i>FROM SERIAL NO 800200</i>			
2	ARC00302	STARTER ROLLER COMP ASSY V6	1
<i>FROM SERIAL NO 800200</i>			
3	ART00051	BEARING ROLLER COMP ASSY	1
4	CBR00060	BEARING SPHERICAL SKF 2210CC	1
5	CBR00061	NILOS-RING 6210AV	1
6	CBR00083	BEARING 1726210-2RS RADIAL	1
7	CFA00028	BOLT M10X65 Z/P	3
8	CFA00032	SETSCREW M12X30 Z/P	1
9	CFA00250	WASHER SKM12	1
10	CFA00251	WASHER SKM10	3
11	CFA00452	CIRCLIP 95MM INTERNAL	1
12	CFA00520	SETSCREW M10X25 FLD ZP	3
13	CFA00549	GREASE FITTING 6MM X 1/8"	2
14	CFA00559	GRUBSCREW M10X12	1
15	CMH00511	BUSH 90X135X46 BEARING HOUSING	1
16	CMH00696	FLANGE 90X140X25 MACHINED	1
17	CMH00697	FLANGE 90X145X25 6 HOLE	1
18	CMH00708	SPROCKET 1 1/4" PITCH 20T	1
<i>UP TO SERIAL NO 800199</i>			
18	CMH01324	SPROCKET 1 1/4" PITCH 20T	1
<i>FROM SERIAL NO 800200</i>			
19	CPL00052	NYLON SEAL ROLLER DRIVE SIDE	1
<i>UP TO SERIAL NO 800199</i>			
19	CPL00108	NYLON SEAL ROLLER DRIVE SIDE LARGE	1
<i>FROM SERIAL NO 800200</i>			
20	CPL00053	NYLON SEAL ROLLER NON DRIVE SIDE	1
<i>UP TO SERIAL NO 800199</i>			
20	CPL00107	NYLON SEAL ROLLER NON DRIVE SIDE LARGE	1
<i>FROM SERIAL NO 800200</i>			
21	CSE00099	SEAL OIL 58X80X8	1
22	CZC02063	3MM L BEARING RETAINER RING	1
23	CZE00115	BALE SPLITTER WASHER	1

No.	Part No	Description	Qty
-----	---------	-------------	-----

No.	Part No	Description	Qty
1	ACH01132	ROLLER HINGE ASSY RIGHT	1
2	ACH01133	ROLLER HINGE ASSY LEFT	1
3	ACH01157	KNIFE GUARD STRETCH NETTER	1
4	ACH01163	NETTER ROLLER COVER ASSY	1
5	ARC00270	ROLLER NET UNIT BACK	2
6	CBR00024	BEARING 62062RS	4
7	CFA00002	CIRCLIP INTERNAL 25X1.2 DIN 472	8
8	CFA00052	SETSCREW M8X20 Z/P	7
9	CFA00102	SETSCREW M8X25 Z/P	7
10	CFA00132	NUT M8 NYLOC Z/P	21
11	CFA00133	NUT M8 Z/P	2
12	CFA00147	WASHER FLAT 8MM Z/P	28
13	CFA00230	SETSCREW M10X30 Z/P	4
14	CFA00249	WASHER SKM8	6
15	CFA00316	BOLT M8X30 Z/P	10
16	CFA00402	CIRCLIP 30MM EXTERNAL	4
17	CFA00887	EYE BOLT M8X80	2
18	CMH00742	BUSH 8X20X13 ZINC PLATED	1
19	CMH00871	BUSH 8X20X7 ZP	7
20	CMH01253	SHAFT STUB FOR ARC00205	4
21	CMH01409	ROLLER NET UNIT 70X61X1285	2
22	CMH01461	BUSH 8X25X5 ZP	1
23	CSG00231	SPRING EXT 3.66X20X80X15 B/C	2
24	CZE00222	ROLLER ASSY NET STRETCH	2
25	CZF05719	6MM L LINK ARM NET STRETCH	1
26	CZF05720	6MM L LEVER ARM NET UNIT	1

No.	Part No	Description	Qty
-----	---------	-------------	-----

No. Part No	Description	Qty
1 ABS00014	BRAKE PAD SET CALIPER FUSION	1
<i>INCLUDES ITEM 2</i>		
2 ABS00014	BRAKE PAD SET CALIPER FUSION	1
<i>INCLUDES ITEM 1</i>		
3 ACH00363	SUSPENSION UNIT ASSY	2
4 ACH00364	SUSPENSION UNIT DISPENSER RING	2
<i>COMPLETE ASSEMBLY</i>		
5 ACH01410	BRAKE PAD SLIDE FUSION 3	1
<i>REPLACES ACH00344</i>		
6 ACH01411	BRAKE CALIPER COMP ASSY FUSION 3	1
<i>COMPLETE ASSEMBLY - REPLACES ACH00342</i>		
7 ACH01323	RING SUPPORT FRAME COMP VARIO	1
<i>USED ON FUSION VARIO ONLY</i>		
7 ACH02505	DISPENSER TOP CROSS BEAM FUSION 3	1
<i>USED ON FUSION 3 & FUSION 3 PLUS (SHOWN)</i>		
8 ADP00079	DISPENSER COMPLETE FUSION 3	2
<i>USED ON FUSION 3 & FUSION 3 PLUS ONLY</i>		
8 ADP00281	DISPENSER COMPLETE FUSION VARIO	2
<i>USED ON FUSION VARIO ONLY</i>		
9 ADP00152	DISPENSER RING WELD ASSY	1
10 CBR00009	BEARING 6205 2RS	4
11 CFA00025	SETSCREW M10X30	2
12 CFA00382	BOLT M16X45 Z/P	4
<i>REPLACES SETSCREW CFA00074</i>		
13 CFA00123	NUT M10 NYLOC	13
14 CFA00124	NUT M12 NYLOC	9
15 CFA00128	NUT M16 NYLOC	1
16 CFA00137	WASHER SPRING 10MM HD Z/P	2
17 CFA00138	WASHER FLAT 12MM Z/P	16
18 CFA00140	WASHER FLAT 16MM Z/P	4
19 CFA00151	SETSCREW M16X40 Z/P	4
20 CFA00201	WASHER FLAT 10 MM Z/P	12
21 CFA00231	NUT M16 Z/P	4
22 CFA00251	WASHER SKM10	14
23 CFA00252	WASHER SKM16	2
24 CFA00044	SETSCREW M6X12 CSK ZP	2
<i>REPLACES CFA00269 (M6X10 SETSCREW)</i>		
25 CFA00156	BOLT M10X55 ZP	2
<i>REPLACES CFA00310 (M10X50)</i>		
26 CFA00311	SETSCREW M10X35 Z/P	4
27 CFA00312	SETSCREW M10X40 Z/P	1
28 CFA00579	BOLT M12X65 ZP	8
29 CFA00602	SETSCREW M10X30 SOC CAP Z/P	2
30 CFA00611	KEY RING MOTOR FUSION	2
31 CFA00793	BOLT M10X130 Z/P	6
32 CFA01034	BOLT M16X70 Z/P GRADE 8.8	1
33 CMH00694	PIN 30X115 STEPPED 25	2
34 CMH00809	BUSH 10X16X11 Z/P	2
35 CMH01329	BUSH 10X25X12	2
36 CMT00056	MOTOR 80CC WHEEL TAPER SHAFT	2
<i>USE SEAL KIT CSE00110 FOR THIS MOTOR</i>		

No. Part No	Description	Qty
37 CPL00049	PLASTIC WHEEL WEAR PLATE DRIVE	4
38 CPL00106	BLANKING CAP 110MM BLACK	2
39 CRA00172	RAM BRAKE CALIPER	1
40 CSG00032	SPRING BELVILLE 18X50	14
41 CWH00253	WHEEL IDLE ROLLER FUSION	2
<i>INCLUDES BEARINGS</i>		
42 CWH00255	DISPENSER DRIVE WHEEL COMP	2
<i>COMPLETE ASSEMBLY & DIRECT REPLACEMENT FOR CWH00038</i>		
43 CWH00276	WHEEL + TYRE DISP DRIVE CB63	2
<i>REPLACES CWH00254</i>		
44 CZD00118	4MM L CUT& TIE SPACER	2
45 CZF02725	6MM L WHEEL SIDE PLATE 250 DIA	2
46 CZF04516	6MM L CHASSIS PART FUSION	2
47 CZF06031	6MM L PLATE	2
48 CZF02725	6MM L WHEEL SIDE PLATE 250 DIA	2
<i>REPLACES CZF06108</i>		
49 CZF06302	6MM L WASHER SENSOR 6X47	2
50 CZF06844	6MM SPACER PLATE BRAKE CALIPER	1
51 CZH03976	10MM BRAKE CALIPER PART FUSION 3	1
<i>REPLACES CZH02466</i>		

No.	Part No	Description	Qty
0	ABD00092	SIDETIP COMPLETE ALL FUSIONS	1
<i>SIDE TIP ASSEMBLY COMPLETE FOR ALL FUSION MODELS REGARDLESS OF SERIAL NO (INCLUDES ALL ITEMS)</i>			
1	ABD00048	FUSION 2 SIDETIP GROUND SUPPORT	1
2	ABD00050	LATCH SIDE TIP DROP BAR	2
3	ABD00071	SIDE TIP FUSION/VARIO WELD ASSY	1
4	ABD00073	FUSION/VARIO SIDE TIP TRANSPORT PIN	1
5	ABD00078	BOBBIN AXLE BUSH BRKT FUSION SIDETIP	1
6	ABD00079	FUSION 3/VARIO SIDETIP EXTENDED BAR	1
7	ABD00080	FUSION 3/VARIO SIDETIP SAFETY PIN	1
8	ABD00082	PIN FOR ABD00072 SIDE TIP FUSION	1
9	ACH01346	BOBBIN BRACKET WELD ASSY LEFT	1
10	ACH01347	BOBBIN BRACKET WELD ASSY RIGHT	1
11	ART00362	BOBBIN ASY BIG 30MM COMPLETE	2
<i>FOR FUSION VARIO MOVE BOBBINS FROM REAR CRADLE (NOT INCLUDED IN ADB00092)</i>			
11	ART00363	BOBBIN ASY SMALL 30MM COMPLETE	2
<i>STD FUSION 3 ONLY (NOT REQUIRED FOR FUSION VARIO)</i>			
12	CBC00005	CAP PLASTIC INSERT 42.4MM RND	2
13	CBC00008	CAP PLASTIC INSERT 75MM	2
14	CBC00021	CAP SQ PLASTIC INSERT 80 X 50	1
15	CBR00001	BEARING 6007 2RS	4
16	CBR00024	BEARING 62062RS	4
17	CEL00989	DOUBLE PUSH BUTTON SWITCH	1
<i>SWITCH USED FOR EXTERNAL TIP CRADLE CONTROL FOR FOLDING SIDETIP TO WORK/TRANSPORT POSITION</i>			
18	CFA00016	BOLT M10X35	2
19	CFA00024	SETSCREW M10X25 Z/P	2
20	CFA00025	SETSCREW M10X30	1
21	CFA00027	BOLT M10X60 Z/P	2
22	CFA00028	BOLT M10X65 Z/P	1
23	CFA00033	SETSCREW M12X35 Z/P	1
24	CFA00123	NUT M10 NYLOC	14
25	CFA00124	NUT M12 NYLOC	9
26	CFA00128	NUT M16 NYLOC	12
27	CFA00134	WASHER MUDWING M10X38MM OD	2
28	CFA00137	WASHER SPRING 10MM HD Z/P	2
29	CFA00138	WASHER FLAT 12MM Z/P	11
30	CFA00200	U BOLT M16X80X50 Z/P	2
31	CFA00201	WASHER FLAT 10 MM Z/P	24
32	CFA00202	LINCH PIN 6MM	3
33	CFA00251	WASHER SKM10	4
34	CFA00311	SETSCREW M10X35 Z/P	7
35	CFA00312	SETSCREW M10X40 Z/P	4
36	CFA00324	SETSCREW M12X40 Z/P	7
37	CFA00345	ROLL PIN 6X30 Z/P	2
38	CFA00409	BOLT M16 X 60 Z/P	8
39	CFA00514	CIRCLIP 35MM EXTERNAL	1
<i>USED ON NEWER VERSIONS ONLY - REPLACES ITEM 62</i>			
40	CFA01084	SAFETY LINCH PIN 8X42	2
41	CGD00336	PANEL GUARD LEFT REAR FUSION 3	1
42	CGD00349	PANEL GUARD RIGHT REAR FUSION 3	1
43	CHY00020	WASHER DOWTY 3/8"	2

No.	Part No	Description	Qty
44	CHY02002	ADAPTOR 3/8" BSP M/M	1
45	CHY02098	ADAPTOR 3/8" BSP M-F	1
46	CHY02807	HA06-0460WJ-F0600N-F0690-000	1
<i>NOT SHOWN</i>			
47	CMH00387	PIN 25X120 MILLED FOR CAP Z/P	1
48	CMH00968	BUSH 19X12.5X11	3
49	CMH01183	PIN 30X280 BOBBIN AXLE	2
50	CMH02592	SHAFT 35 X 660 FUSION SIDETIP	1
51	CPL00008	BOBBIN ASY BIG 30MM BEARING	2
<i>FOR FUSION VARIO MOVE BOBBINS FROM REAR CRADLE (NOT INCLUDED IN ADB00092)</i>			
51	CPL00038	BOBBIN ASY SMALL 30MM BEARING	2
<i>STD FUSION 3 ONLY (NOT REQUIRED FOR FUSION VARIO) INCLUDES 2x ITEM 16</i>			
52	CPL00192	BOBBIN ASSEMBLY 6007 BEARINGS	2
<i>INCLUDES 2x ITEM 15</i>			
53	CPL00224	PLASTIC PIPE CATCH 88.9	1
54	CRA00749	FUSION SIDE-TIP SUSPENSION RAM	1
<i>INCLUDES ITEMS 55, 56 & 57</i>			
55	CRA00755	ROD FOR CRA00749	1
56	CRA00756	CYL FOR CRA00749	1
57	CSG00287	SPRING COMP 12.7WDX63.5ODX16COILX320	1
58	CSG00303	SPRING EXT 4.47X40.3X240 OPEN EYES	1
<i>REPLACES CSG00207</i>			
59	CTP00070	DUST CAP 170/60-8 VREDESTEIN	1
60	CVA00276	VALVE NEEDLE 3/8	1
61	CWH00037	WHEEL 170/60-8 V64+ 6PLY PICK-UP	1
62	CXT00763	TUBE 42.4X3X52	1
<i>USED ON OLDER VERSIONS ONLY - REPLACED BY ITEM 39</i>			
63	CZD00121	4MM L CUT & TIE SPACER Z/P	1
64	CZD04329	4MM L WASHER 12.5X40X4	1
65	CZF00292	6MM L CAP LONG FOR 25MM PINS	1
66	CZF04875	6MM L FUSION 2 SIDETIP BRACKET	1
67	CZH03852	10MM L SIDE TIP PLATE FUSION/VARIO	2
68	CZH04865	10MM L SIDE-TIP FUSION LATCH	1
69	CZH04868	10MM SIDE TIP PART	2

No. Part No	Description	Qty
0 CVA00378	VALVE ASY ROTATION_TIP VARIO	1
<i>INCLUDES ITEMS 1 THROUGH 17</i>		
1 CHY00015	WASHER DOWTY 1/4"	3
2 CHY00020	WASHER DOWTY 3/8"	4
3 CHY00053	WASHER DOWTY 1/2"	5
4 CHY02002	ADAPTOR 3/8" BSP M/M	2
5 CHY02010	ADAPTOR 1/4" BSP M/M	2
6 CHY02013	ADAPTOR 1/2" BSP M/M	5
7 CHY02032	ADAPTOR 1/4 M 3/8 M	2
8 CSE00164	O-RING 70 SH NBR 15.60X1.78	2
10 CVA00160	VALVE CHECK 1/4" 0.4MM ORIFICE	1
11 CVA00176	PLUG BSP 1/4 ALLEN HD +SEAL	3
12 CVA00252	VALVE CTE ON/OFF NC CVA0157&94	1
13 CVA00253	COIL FOR CTE VALVE ON CVA00157	1
14 CVA00304	BSP 1/2 PLUG	1
15 CVA00553	BLANKING CAP 1/8" (OLEOSTAR)	5
16 CVA00558	SHUTTLE VALVE ASSY	1
17 CVA00668	VALVE OVER CENTRE ASM-CVA00378	4

No. Part No	Description	Qty
-------------	-------------	-----

No.	Part No	Description	Qty
12	CFA00549	6LL FITTING STRAIGHT	1
13	CFA00543	6LL FITTING ELBOW	1
14	CFA00681	6LL UNION (COMPLETE)	1
15	CFA00682	COMPRESSION NUT	1
16	CFA00544	6LL COUPLING NUT	1
17	CFA00648	CHECK VALVE	1
18	CFA00683	BRASS OLIVE	1
19	CFA00545	STEEL OLIVE	1
20	CHY02323	HOSE STUD ELBOW	1
21	CHY02324	HOSE STUD STRAIGHT	1
22	CHY02325	THREADED SLEEVE	1
23	CHY02612	VALVE SVTE MANUAL GREASE NIPPLE	1
24	CHY02986	VALVE SVTS-350-R1/8 MANUAL GREASE NIPPLE	1

No.	Part No	Description	Qty
-----	---------	-------------	-----

CLICK HERE TO **DOWNLOAD** THE COMPLETE MANUAL

- Thank you very much for reading the preview of the manual.
- You can download the complete manual from: www.heydownloads.com by clicking the link below



- Please note: If there is no response to CLICKING the link, please download this PDF first and then click on it.

CLICK HERE TO **DOWNLOAD** THE COMPLETE MANUAL