

# McHale

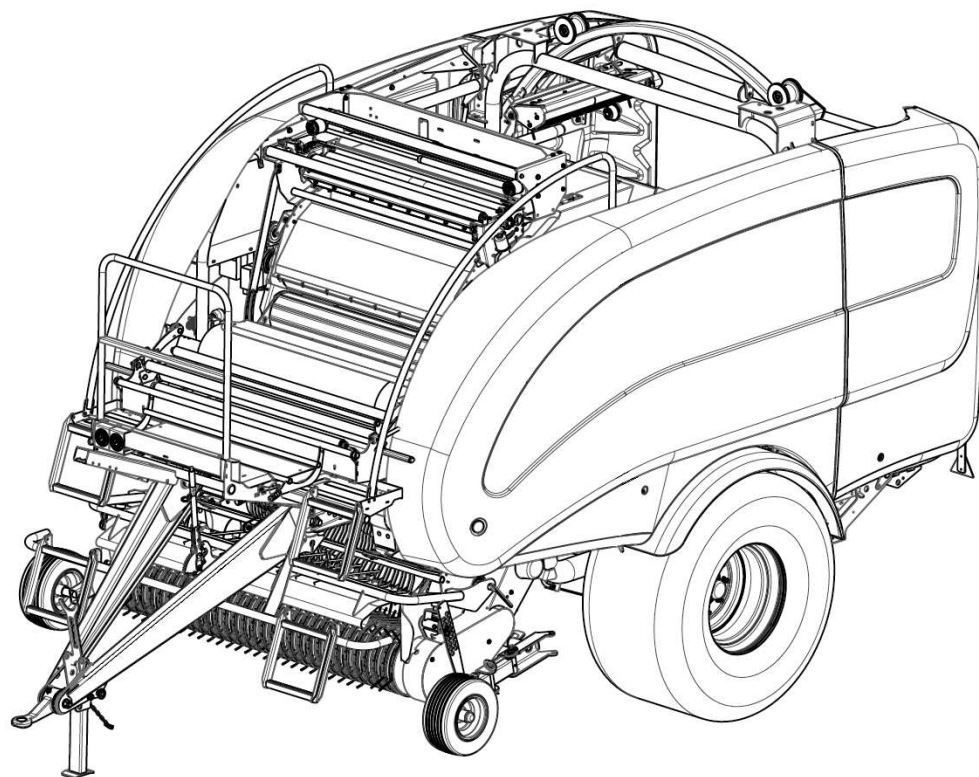
# FUSION<sup>3</sup> PLUS



QUALITY

I.S. EN ISO 9001:2008

NSAI Certified



## FUSION 3 PLUS Spare Parts Book

McHale,  
Ballinrobe,  
Co. Mayo, Ireland.

Tel: +353 94 9520300

Fax: +353 94 9520356

Email: [sales@mchale.net](mailto:sales@mchale.net)

Website: [www.mchale.net](http://www.mchale.net)

CLICK HERE TO **DOWNLOAD** THE COMPLETE MANUAL

- Thank you very much for reading the preview of the manual.
- You can download the complete manual from: [www.heydownloads.com](http://www.heydownloads.com) by clicking the link below



- Please note: If there is no response to CLICKING the link, please download this PDF first and then click on it.

CLICK HERE TO **DOWNLOAD** THE COMPLETE MANUAL

No.	Part No	Description	Qty
1	ACH00298	REEL WELD ASSY OUTER (RIGHT)	1
2	ACH00301	REEL WELD ASSY OUTER (LEFT)	1
3	ACH00308	CAM TRACK ASSY	1
<i>INCLUDES ITEMS 15, 27, 30, 44 &amp; CTP00252</i>			
3	CTP00252	CAM TRACK CAST	1
3	ACH00354	CAM TRACK (DUTCH)	1
<i>FOR DUTCH MACHINES ONLY</i>			
4	ACH01004	REEL BACK PLATE WELD ASSY	1
5	ACH02315	OUTER BAND RHS	1
6	ACH02316	OUTER BAND LHS	1
7	ACH02351	REEL INNER BRACKET LEFT FUSION II	1
8	ACH02352	REEL INNER BRACKET RIGHT FUSION II	1
9	ALA00314	PICKUP REEL PIVOT BRACKET KIT	1
<i>KIT CONTAINS 2 HOUSINGS &amp; 2 IGUS BEARINGS (ITEM 11)</i>			
10	CBE00182	BUFFER RUBBER 50X21 M10X13	2
11	CBR00274	BEARING IGLIDUR GFM-7680-25	2
12	CCH02026	CHAIN ASA60H 3/4" 78 INC LINK	2
13	CFA00005	LINCH PIN 10MM	2
14	CFA00016	BOLT M10X35	4
15	CFA00024	SETSCREW M10X25 Z/P	6
16	CFA00027	BOLT M10X60 Z/P	4
17	CFA00063	BOLT M16X90 Z/P	2
18	CFA00101	SETSCREW M8X16 Z/P	7
19	CFA00123	NUT M10 NYLOC	20
20	CFA00124	NUT M12 NYLOC	10
21	CFA00128	NUT M16 NYLOC	2
22	CFA00137	WASHER SPRING 10MM H.D Z/P	2
23	CFA00138	WASHER FLAT 12MM Z/P	10
24	CFA00140	WASHER FLAT 16MM Z/P	8
25	CFA00201	WASHER FLAT 10 MM Z/P	6
26	CFA00249	WASHER SKM8	6
27	CFA00251	WASHER SKM10	8
28	CFA00442	SETSCREW M10X25 CUP SQ	4
29	CFA00474	BOLT M10X70 CUP SQUARE ZP	1
30	CFA00492	SETSCREW M8X12 FLANGED Z/P	2
31	CFA00520	SETSCREW M10X25 FLD ZP	2
32	CFA00542	OILER FITTING 90 DEG 1/8" BSP	3
<i>FITTING WITH NUT &amp; OLIVE (USED ON FUSION ONLY)</i>			
32	CFA02253	90 DEG. 1/8" 4MM QUICK CONNECTOR	3
<i>PUSH-IN FITTING (USED ON F5 &amp; V6 ONLY)</i>			
33	CFA00546	BOLT M10X85 CUP HEAD SQ Z/P	1
34	CFA00766	SETSCREW M8X20 FLANGED DIN6921 Z/P	130
35	CGD00034	GUARD REEL LEFT HAND	1
36	CGD00036	GUARD REEL RIGHT SIDE	1
37	CGD00050	CAM TRACK BLANKING CAP	1
38	CMH00740	BUSH 12X25X45	1
39	CMH00741	BUSH 12X25X55	1
40	CMH01035	PIN 25X97 AND12MM CH (Z/P)	2
41	CMH01088	BUSH 10X25X25 THREADED Z/P	2
42	CPL00043	PLASTIC CHAIN TENSIONER (REEL)	2

No.	Part No	Description	Qty
43	CTP00048	BAND PICK UP REEL (BALER)	29
44	CZF04369	6MM L CAM TRACK BRAC	2
45	CZF05111	6MM L PART SPACER	4
46	CZH02907	10MM L WASHER 10X50 FLAT SIDE ZP	2
47	CZI02045	12MM L WASHER 39.5X12.5X12	2
48	CZI02046	12MM L WASHER DOWEL	2

No.	Part No	Description	Qty
1	ACH02586	25K DROP FLOOR WELD STD	1
<i>25K STD CHOPPERS - SERIAL No 656829 - 662199 (FUSION) &amp; SERIAL No 708118 - 710485 (F5000) [Specify Serial No]</i>			
1	ACH02325	23K DROP FLOOR WELD ASSY	1
<i>23 KNIFE FUSION CHOPPER UNITS UP TO SERIAL No 656828 (FUSION) [Specify Machine/Serial No/Year]</i>			
1	ACH00299	23K KNIFE FLOOR WELD ASM F5	1
<i>23 KNIFE F5 CHOPPER UNITS UP TO SERIAL No 708117 (F5000) [Specify Machine/Serial No/Year]</i>			
2	CBR00268	BEARING GLACIER DU 4	2
3	CMH00641	SHAFT 22 X 1310	1
4	ACH00323	KNIFE RELEASE LEVER ASSY	1
5	CFA00009	ROLL PIN 8X40	2
6	CRA00185	RAM KNIFE ACTUATION BW	2
6	CRA00713	RAM KNIFE CHOPPING ADJ END	2
<i>ALTERNATIVE OPTION (TO CRA00185) WHICH ALLOWS ADJUSTMENT TO SET KNIFE CUTTING HEIGHT</i>			
7	CFA00413	WASHER FLAT 20MM Z/P	4
8	CFA00073	ROLL PIN 6X40	2
9	CFA00135	WASHER FLAT 1" Z/P	4
10	CEL00154	MAGNET 60 X24 X 17	25
11	CKN00014	KNIFE CHOPPER UNIT	25
<i>STANDARD KNIVES</i>			
12	CZB02203	1.5MM L GRASS GUARD CHOPPER F5	1
13	CFA00519	SETSCREW M8X16 FLD ZP	1
14	CMH01477	SHAFT 35X1315 (25 K BAR)	1
<i>25 KNIFE CHOPPERS FROM SERIAL No 656829 (FUSION) &amp; SERIAL No 708118 (F5000) [Specify Machine/Serial No/Year]</i>			
14	CMH01068	SHAFT35X1305 (23K BAR)	1
<i>23 KNIFE CHOPPERS UP TO SERIAL No 656828 (FUSION) &amp; SERIAL No 708117 (F5000) [Specify Machine/Serial No/Year]</i>			
15	CFA00387	KEY 8X7X50	2
16	CTP00372	KNIFE RAM ACTUATOR CAST	2
<i>REPLACES ACH02286</i>			
17	CEL00059	MAGNET 20 X 10 260369	1
18	CFA00261	SETSCREW M5X25 CSK HEX SS	1
19	CFA00348	NUT M5 NYLOC SS	1
20	CFA00051	GRUBSCREW M8X10	2
21	CTP00266	KNIFE ACTUATOR ARM	25
22	CFA00504	ROLL PIN 12X60 ZP	25
23	CFA00642	ROLL PIN M7X60	25
24	CZD04279	4MM L KNIFE ARM LOCK BAR	4
25	CBR00072	BEARING INA 2 BOLT RAE 30 NPPB	2
26	CFA00547	BOLT M14X70 Z/P	2
27	CFA00068	BOLT M10X25 CUP SQ. Z/P	4
28	CFA00123	NUT M10 NYLOC	4
29	CFA00147	WASHER FLAT 8MM Z/P	16
30	CFA00102	SETSCREW M8X25 Z/P	8
31	CFA00132	NUT M8 NYLOC Z/P	8
32	CFA00126	NUT M14 NYLOC	2
33	CFA00222	WASHER FLAT 14MM Z/P	8
34	CFA00669	SPLIT PIN 8X50 Z/P	2
35	CFA00135	WASHER FLAT 1" Z/P	6
36	CRA00193	RAM CHOPPER FLOOR 20	2
37	CZE00143	5MM L KNIFE BLANK BALER	12
<i>STANDARD KNIVES</i>			

No.	Part No	Description	Qty
38	CZE00168	5MM L KNIFE BLANK (GERMAN)	12
<i>GERMAN KNIVES ONLY - UP TO SERIAL No 659804 (FUSION 3), 710086 (F5 SERIES) &amp; 900171 (FUSION VARIO)</i>			
39	CKN00016	KNIFE FOR GERMAN DROP FLOOR	23
<i>GERMAN KNIVES ONLY - UP TO SERIAL No 659804 (FUSION 3), 710086 (F5 SERIES) &amp; 900171 (FUSION VARIO)</i>			
40	ACN00055	KNIFE HOLDER GERMAN	23
<i>GERMAN KNIVES ONLY - UP TO SERIAL No 659804 (FUSION 3), 710086 (F5 SERIES) &amp; 900171 (FUSION VARIO)</i>			
41	ALA00204	23 KNIFE ARM ASSY (GERMAN)	1
<i>23K-GERMAN KNIVES-UP TO SERIAL No 656828 (FUSION) &amp; SERIAL No 708117 (F5000) [Specify Machine/Serial No/Year]</i>			
42	ALA00550	25 KNIFE BAR COMPLETE ASSY	1
<i>25 KNIFE STANDARD FROM SERIAL No 656829 (FUSION) &amp; SERIAL No 708118 (F5000) [Specify Machine/Serial No/Year]</i>			
42	ALA00202	23 KNIFE ARM ASSY (STANDARD)	1
<i>23 KNIFE STANDARD UP TO SERIAL No 656828 (FUSION) &amp; SERIAL No 708117 (F5000) [Specify Machine/Serial No/Year]</i>			
43	CZD02356	LOCK BRACKET FOR GERMAN	1
<i>GERMAN KNIVES ONLY - UP TO SERIAL No 659804 (FUSION 3), 710086 (F5 SERIES) &amp; 900171 (FUSION VARIO)</i>			
44	ACN00101	KNIFE MAGNET LEVER ASSY (25 K)	1
<i>25 KNIFE ONLY</i>			
44a	CFA00402	CIRCLIP 30MM EXTERNAL ZP	1
44b	CFA00949	KEY 8X7X10	1

No.	Part No	Description	Qty
0	ARC00378	CROP ROLLER FULL ASSEM (CAMLESS)	1
<i>COMPLETE ASSEMBLY (INCLUDES ITEMS 1 THROUGH 20)</i>			
1	ACH02922	REAR CROP ROLLER HOLDER WELD ASSEM (LHS)	1
2	ACH02923	REAR CROP ROLLER HOLDER WELD ASSEM (RHS)	1
3	ARC00377	ROLLER WELD ASSEM (CAMLESS)	1
4	ARC00379	CROP ROLLER PLATE WELD ASSEM LHS ( CAMLESS )	1
5	ARC00380	CROP ROLLER PLATE WELD ASSEM RHS ( CAMLESS )	1
6	ARC00387	TOP ROLLER WELD ASSEM (SHORT)	1
7	ARC00392	CROP ROLLER SEAL (LARGE)	2
8	CBR00299	BEARING 206 NPPB 30MM SPHERICAL	4
9	CCH00186	CHAIN CROP ROLLER 7X20X32 LINKS	2
10	CFA00002	CIRCLIP 52MM INTERNAL DIN 472	4
11	CFA00005	LINCH PIN 10MM	2
12	CFA00017	SETSCREW M10X30 CUP SQ Z/P	4
13	CFA00024	SETSCREW M10X25 Z/P	4
14	CFA00123	NUT M10 NYLOC	8
15	CFA00129	NUT M20 NYLOC	4
16	CFA00201	WASHER FLAT 10 MM Z/P	12
17	CFA00457	D SHACKLE 0.375" GAL	2
18	CMH00148	SHAFT 30X86 M20 THREAD Z/P	2
19	CMH02720	30X291 STEPPED PIN 20MM THREAD	2
20	CZF07624	6MM L DOUBLE CROP ROLLER CHAIN HOLDER	2
<i>USED ON FUSION VARIO ONLY (NOT SHOWN)</i>			
20	CZF07625	6MM L DOUBLE CROP ROLLER CHAIN HOLDER F3	2
<i>USED ON FUSION 3 ONLY (NOT SHOWN)</i>			
20	CZF07629	6MM L CAMLESS CHAIN PLATE F5000 / V6	2
<i>USED ON F5 &amp; V6 BALERS ONLY (SHOWN)</i>			

No.	Part No	Description	Qty
-----	---------	-------------	-----

No.	Part No	Description	Qty
1	ADB00120	HANDBRAKE LEVER BRACKET	1
2	ADB00158	SCREW TYPE JACK STD FUSION	1
<i>HIGH HITCH STAND (INCLUDES ITEMS 4, 26 &amp; 27)</i>			
3	CAX00090	HAND BRAKE LEVER	1
<i>USED ON STANDARD MACHINES</i>			
3	CAX00154	HAND BRAKE LEVER COMP ASSY	1
<i>USED ON FRENCH MACHINES ONLY</i>			
4	CFA00004	R-CLIP 4MM	1
5	CFA00061	BOLT M16X170 Z/P	1
6	CFA00100	BOLT M8X40 Z/P	1
7	CFA00106	BOLT M8X45 Z/P	1
8	CFA00123	NUT M10 NYLOC	4
9	CFA00128	NUT M16 NYLOC	2
10	CFA00132	NUT M8 NYLOC Z/P	4
11	CFA00133	NUT M8 Z/P	1
12	CFA00140	WASHER FLAT 16MM Z/P	2
13	CFA00147	WASHER FLAT 8MM Z/P	6
14	CFA00201	WASHER FLAT 10 MM Z/P	9
15	CFA00230	SETSCREW M10X30 Z/P GRADE 12.9	4
16	CFA00249	WASHER SKM8	1
17	CFA02217	D SHACKLE 0.5T Z/P	2
18	CMH00742	BUSH 8X20X13 ZINC PLATED	2
19	CMH01186	PULLEY 50X10X16 6MM ROPE	3
20	CSG00211	SRING COIL 3 X 19 X 135 27COILS	1
21	CTP00265	PIN HITCH 1" BALER DRAWBAR	1
<i>INCLUDES CHAIN &amp; LINCH-PIN</i>			
22	ACH00708	PARKING JACK ADJ FUS F5 RANGE	1
<i>LOW HITCH STAND (INCLUDES ITEM 23 &amp; 24) REPLACES CTP00294</i>			
23	CTP00296	PARKING JACK FUS F5 BOTTOM	1
<i>LOW HITCH STAND LEG</i>			
24	CTP00297	PARKING JACK HANDLE	1
<i>LOW HITCH STAND ONLY</i>			
25	CTP00333	HANDBRAKE CABLE FUSION	1
26	CTP00384	LEG EXT PIECE PARKING JACK	1
<i>HIGH HITCH STAND LEG</i>			
27	CTP10002	PIN PARKING JACK BALER	1
28	CXT00502	BUSHING C030X7X100	1
29	CZC04376	3MM L FUSION HANDBRAKE	2
30	CZE00290	5MM L HAND BRAKE CABLE LINK	2
<i>USED ON FRENCH MACHINES ONLY</i>			
31	CZF03267	6MM L PULLEY COVER FUSION	1
32	CZF04263	6MM L DRAWBAR WASHER Z/P	2
33	CZF04979	6MM L STAND TRANSPORT BRACKET	2
34	CZF05030	6MM L HAND BRAKE LEVER BASE	1

No.	Part No	Description	Qty
-----	---------	-------------	-----

No.	Part No	Description	Qty
1	CAX00101	AXLE 80MM FUSION2 400X80 AIR BRAKE	1
<i>COMPLETE AXLE ASM INCLUDING ITEMS 2 THROUGH 34</i>			
2	CAX00048	BRAKE HUB AIR 32212 OUTER BRNG	2
<i>INCLUDES ITEMS 4, 26, 28 &amp; 34</i>			
4	CAX00055	STUD FOR AXLE B80L030D/S	16
5	CAX00056	NUT M18X1.5X27AF AX B80L030D/S	16
6	CAX00057	WASHER 18MM AXLE B80L030D/S	16
7	CAX00059	HUB NUT (B80L030D/S) 328F014	2
8	CAX00060	BRAKE SHOE ASM 400X80 CAX00101	2
<i>INCLUDES SPRINGS (ITEMS 16)</i>			
10	CAX00098	HUB CAP FUSION 307F050	2
12	CAX00132	ADJUSTABLE BRAKE LEVER FAD 320F082	2
14	CAX00184	CAMSHAFT CAX00101 AIR BRAKE S/N 653793 ON	2
<i>USED FROM SERIAL No 653793</i>			
14	CAX00200	CAMSHAFT SHORT CAX101 AIR BRAKE UP TO S/N 653792	2
<i>USED UP TO SERIAL No 653792</i>			
15	CAX00187	O RING CAX00096/101 BRAKE 341F069	2
16	CAX00188	SPRING CAX00101 BRAKE 322F016	4
18	CAX00190	SLEEVE CAX00096/101 BRAKE 349F0341	2
19	CAX00191	SPRING CLIP CAX00096/101 BRAKE 322F046	2
20	CAX00192	CIRCLIP CAX00096/101 BRAKE 341F044	2
22	CAX00195	CIRCLIP CAX00101 BRAKE 332F009	2
23	CAX00197	WASHER 28X50X4 BRAKE CAX00101 AIR 329F012	2
24	CAX00198	NUT CROWN M27X2 BRAKE CAX00101 AIR 328F004	2
26	CBR00100	BEARING WHEEL 32215 FUSION	2
<i>PART OF WHEEL BEARING KIT CAX00121 (ITEMS 26, 28 &amp; 34)</i>			
28	CBR00282	WHEEL BEARING 32212	2
<i>USED FROM SERIAL No 653704 (PART OF WHEEL BEARING KIT CAX00121)</i>			
28	CBR00099	BEARING WHEEL 32211 FUSION	2
<i>USED UP TO SERIAL No 653703 (PART OF WHEEL BEARING KIT CAX00121)</i>			
30	CFA00021	SPLIT PIN 4X50 Z/P	2
32	CFA00410	SPLIT PIN 6X90	2
34	CSE00014	SEAL HUB 80L030D/S FUSION BRAKE	2
<i>PART OF WHEEL BEARING KIT CAX00121 (ITEMS 26, 28 &amp; 34)</i>			

No.	Part No	Description	Qty
-----	---------	-------------	-----

No.	Part No	Description	Qty
1	CBE00002	BUFFER RUBBER 50X21 M10X28	3
2	CBE00028	BUFFER RUBBER 30X36 M8/27 57SH	2
<i>UP TO SERIAL NO 656977</i>			
2	CBE00002	BUFFER RUBBER 50X21 M10X28	2
<i>FROM SERIAL NO 656978</i>			
3	CBE00238	CANVAS COVER ELECTRICAL CONNECTIONS FUSION	1
<i>USED ON STANDARD FUSION 3 ONLY</i>			
4	CBE00239	RUBBER REFLECTOR HANGER STRIP	1
5	CEL00077	REFLECTOR REAR TRIANGULAR RED	1
6	CEL00239	ROUND AMBER REFLECTOR BOLT ON TYPE	1
7	CEL00831	TAIL LIGHT, CIRCULAR, LED, FUSION 3	1
8	CFA00024	SETSCREW M10X25 Z/P	28
9	CFA00052	SETSCREW M8X20 Z/P	16
10	CFA00102	SETSCREW M8X25 Z/P	21
11	CFA00123	NUT M10 NYLOC	10
12	CFA00132	NUT M8 NYLOC Z/P	32
13	CFA00147	WASHER FLAT 8MM Z/P	58
14	CFA00201	WASHER FLAT 10 MM Z/P	10
15	CFA00249	WASHER SKM8	11
16	CFA00251	WASHER SKM10	28
17	CFA00312	SETSCREW M10X40 Z/P	2
18	CFA00321	NUT M5 NYLOC	5
19	CFA00337	WASHER FLAT 5MM Z/P	5
20	CFA00518	CAMLOC BALER DOOR	1
21	CFA00855	6MM MUDGUARD WASHER	2
22	CFA00919	U-BOLT 60.3 TUBE	2
23	CFA00943	U-BOLT 33.7 TUBE	2
24	CFA00966	SETSCREW M5X25 BUTTON HEAD Z/P	2
25	CFA02278	SETSCREW M5X25 BUTTON HEAD Z/P	2
26	CGD00242	ROTOR CHAIN GUARD F550	1
27	CGD00250	HINGE HOLDER WELD ASSEMBLY RH	1
<i>USED UP TO SERIAL No 662265 (BUT EXCLUDES MACHINES FROM SERIAL No 662001 TO 662064)</i>			
27	CGD00353	PANEL HINGE TUBE WELD ASSEMBLY RH FUSION 3 CT	1
<i>USED FROM SERIAL No 662266 (ALSO INCLUDES MACHINES FROM SERIAL No 662001 TO 662064)</i>			
28	CGD00253	REAR DOOR LATCH WELD ASSY FUSION PLASTIC PANEL	1
<i>FOR MACHINES UP TO SERIAL NO 656977 ALSO ORDER 2X CBE00002</i>			
28a	CZH02119	10MM L WASHER 10X40X12	2
<i>FOR MACHINES UP TO SERIAL NO 656977 ONLY</i>			
29	CGD00270	RH FRONT SKIN ASSEMBLY FUSION	1
<i>INCLUDES DECALS (SPECIFY MODEL WHEN ORDERING)</i>			
30	CGD00271	RH REAR DOOR ASSEMBLY FUS 3	1
<i>INCLUDES DECALS (SPECIFY MODEL WHEN ORDERING)</i>			
31	CGD00280	HINGE WELD ASSEMBLY RH FRONT FUSION	1
32	CGD00281	HINGE WELD ASSEMBLY RH REAR FUSION	1
33	CGD00291	LATCH CATCH ASSEMBLY	1
34	CGD00292	FUSION LATCH ASSEMBLY FRONT RH PLASTIC PANEL	1
35	CGD00294	CHAIN GUARD RH FRONT	1
36	CGD00309	BUFFER BRACKET FUSION	3
37	CRA00655	GAS STRUT 1200N	2
38	CSG00263	SPRING EXTENSION 1.63X11.5X57	1

No.	Part No	Description	Qty
39	CST00745	STICKER 'MCHALE' RH MIDDLE F3	1
39	CST00746	STICKER 'MCHALE' RH FRONT F3	1
39	CST00750	STICKER 'FUSION 3' 610MM WIDE	1
40	CST00744	STICKER 'MCHALE' RH REAR F3	1
41	CZB04381	1.5MM L MAIN VALVE COVER	1
<i>USED ON FUSION 3 PLUS UP TO SERIAL No 662265 (BUT EXCLUDES MACHINES FROM SERIAL No 662001 TO 662064)</i>			
41	CZB04456	1.5MM L MAIN VALVE GUARD FUSION CT	1
<i>USED ON FUSION 3 PLUS FROM SERIAL No 662266 (ALSO INCLUDES MACHINES FROM SERIAL No 662001 TO 662064)</i>			
42	CZB04405	1.5MM L DISPENSER GUARD	1
43	CZC04693	3MM REFLECTOR HANGING PLATE RH	1
44	CZD00118	4MM L CUT& TIE SPACER	2
<i>FOR MACHINES UP TO SERIAL NO 656977 ONLY</i>			
45	CZD04814	4MM L HINGE LOCK PLATE FUSION 3 CT	4
<i>REPLACES CZD04548</i>			
46	CZD04708	4MM DOOR LATCH RH REAR FUSION 3	1
47	CZF02902	6MM L DOOR RETAINING BRACKET	1
48	CZF06035	6MM PANEL LATCH HANDLE FUS 3	1
49	CZB04454	1.5MM L ELECTRICAL COVER PLATE F3+ & VARIO	1
<i>USED ON FUSION 3 PLUS UP TO SERIAL No 662265 (BUT EXCLUDES MACHINES FROM SERIAL No 662001 TO 662064)</i>			
49	CZB04457	1.5MM L ELECTRICAL COVER PLATE F3+ FV CT	1
<i>USED ON FUSION 3 PLUS FROM SERIAL No 662266 (ALSO INCLUDES MACHINES FROM SERIAL No 662001 TO 662064)</i>			

No.	Part No	Description	Qty
1	ART00084	BALER IDLER SPROCKET COMP ASSY	1
2	ART00083	BALER IDLER SPROCKET WELD ASSY	1
3	CBR00052	BEARING 6306	2
4	ACH00360	BOTTOM DOOR CHAIN TENSION ASSY	1
5	ACH00233	BOTTOM DOOR CHAIN TENSIONER ASSY	1
6	CBR00039	BEARING GLACIER PM 2525 DX	2
7	CMH00467	BUSH 45X12.5X52 STEPPED 35	1
8	CBR00062	BEARING RADIAL 6207LLU (SKF)	1
<i>UP TO SERIAL NO. 654732</i>			
8	CBR00294	BEARING RADIAL 6307 2RS	1
<i>FROM SERIAL NO. 654733</i>			
9	CXT00185	TUBE 42.4X3X15	1
10	ACH00580	KIT SPROCKET 1 1/4" 13 TOOTH 6207 BEARING	1
<i>UP TO SERIAL NO. 654732</i>			
10	CMH01252	SPROCKET 1 1/4" 13 TOOTH	1
<i>FROM SERIAL NO. 654733 (6307 BEARING)</i>			
10a	CFA00882	CIRCLIP 80MM INTERNAL	1
<i>FROM SERIAL NO. 654733 (6307 BEARING)</i>			
11	CFA00330	BOLT M12X80 Z/P	1
12	CFA00124	NUT M12 NYLOC	1
13	ACH00437	FRONT CHAIN ADJ.COMP	1
14	CFA00672	EYE BOLT 16MM SPRING TENSIONER	1
15	CMH00464	BUSH 45X17X10 STEPPED 25	3
16	CZC02057	3MM L CHAIN TENSIONE	1
17	CSG00025	SPRING COMPX8.5X44.8	1
18	CFA00128	NUT M16 NYLOC	1
19	CFA00127	NUT M16	1
20	CVA00169	GREASE BLOCK 6 WAY	2
21	CFA00063	BOLT M16X90 Z/P	1
22	CFA00128	NUT M16 NYLOC	1
23	CFA00135	WASHER FLAT 1" Z/P	1
24	CFA00099	SETSCREW M6X40 Z/P	4
25	CHY02169	GREASE PIPE 1 BOTTOM DOOR D.S	1
26	CHY02170	GREASE PIPE 2 BOTTOM DOOR D.S	1
27	CHY02171	GREASE PIPE 3 BOTTOM DOOR D.S	1
28	CHY02172	GREASE PIPE 4 BOTTOM DOOR D.S	1
29	CHY02173	GREASE PIPE 5 BOTTOM DOOR D.S	1
30	CMH01123	PIM 30X100 MILLED FOR CAP	1
31	CZF04850	6MM L PIN RETAINER CLIP	1
32	CMH00989	BUSH 25X50X25	4
33	CBR00040	BEARING GLACIER PM 25 X 20	2
34	CZJ02123	15MM L LINK ARM PART UP TO SERIAL NO.653028	2
<i>(STRAIGHT ARM) UP TO SERIAL NO 653028</i>			
34	CZJ02134.1	15MM L LINK ARM PART SERIAL NO.653029 TO 653102	2
<i>(CURVED ARM) SERIAL NO 653029 TO 653102</i>			
34	CZJ02134.2	15MM L LINK ARM PART FROM SERIAL NO.653103	2
<i>(STRAIGHT ARM) FROM SERIAL NO 653103 ON</i>			
35	CBR00039	BEARING GLACIER PM 2525 DX	2
36	CFA00648	GREASE FITTING TO BLOCK 1/8"	10
37	CFA00543	6MM X 1/8" 90° GREASE FITTING	7

No.	Part No	Description	Qty
38	CZD00118	4MM L CUT& TIE SPACER	2
39	CFA00251	WASHER SKM10	2
40	CFA00024	SETSCREW M10X25 Z/P	2
41	CFA00230	SETSCREW M10X30 Z/P	1
42	CFA00201	WASHER FLAT 10 MM Z/P	1
43	CFA00123	NUT M10 NYLOC	1

CLICK HERE TO **DOWNLOAD** THE COMPLETE MANUAL

- Thank you very much for reading the preview of the manual.
- You can download the complete manual from: [www.heydownloads.com](http://www.heydownloads.com) by clicking the link below



- Please note: If there is no response to CLICKING the link, please download this PDF first and then click on it.

CLICK HERE TO **DOWNLOAD** THE COMPLETE MANUAL

No.	Part No	Description	Qty
1	ART00293	BEARING ROLLER COMP ASSY	13
2	ART00051	BEARING ROLLER COMP ASSY	5
3	CZC02063	3MML BEARING RETAINING RING	1
4	CFA00452	CIRCLIP 95MM INTERNAL	1
5	CBR00061	NILOS-RING 6210AV	1
6	CSE00099	SEAL OIL 58X80X8	1
7	CFA00559	GRUBSCREW M10X12	1
8	CMH00511	BUSH 90X135X46 BEARING HOUSING	1
9	CBR00060	BEARING SPHERICAL SKF 2210CC	1
10	CMH00905	BUSH 90X135X46 BEARING HOUSING	1
11	CBR00083	BEARING 1726210-2RS RADIAL	1

No.	Part No	Description	Qty
-----	---------	-------------	-----

No.	Part No	Description	Qty
1	ARC00250	ROLLER ASSY FILM GATHERING	2
<i>INCLUDES BEARINGS ITEMS 3 &amp; 23</i>			
2	ARC00263	ROLLER ASSY FILM STRETCH FUSION	2
<i>INCLUDES ITEMS 4, 7, 16, 18, 24 &amp; 25</i>			
3	CBR00009	BEARING 6205 2RS	4
4	CBR00020	BEARING 6204 2RS	4
5	CFA00024	SETSCREW M10X25 Z/P	10
6	CFA00025	SETSCREW M10X30	4
7	CFA00052	SETSCREW M8X20 Z/P	12
8	CFA00102	SETSCREW M8X25 Z/P	4
9	CFA00115	SETSCREW M6X20 Z/P	3
10	CFA00123	NUT M10 NYLOC	4
11	CFA00131	NUT M6 NYLOC	3
12	CFA00132	NUT M8 NYLOC Z/P	14
13	CFA00144	WASHER FLAT 6MM Z/P	6
14	CFA00147	WASHER FLAT 8MM Z/P	4
15	CFA00201	WASHER FLAT 10 MM Z/P	8
16	CFA00249	WASHER SKM8	26
17	CFA00251	WASHER SKM10	10
18	CFA00339	CIRCLIP 20MM EXTERNAL	4
19	CKN00011	KNIFE CUT&HOLD STANLEY BLADE	1
20	CMH00325	BUSH STEPPED 20X40X30 NYLON	2
21	CMH01153	PIN 30X85 MACHINED	2
22	CMH01249	CHROME BAR 20X1450	1
23	CMH01710	ROLLER FILM GATHERING UNIT	2
<i>REPLACES CMH01366</i>			
24	CMH01392	MACHINED TUBE FILM STRETCH	2
25	CMH01393	SHAFT 20X1507 THREADED	2
26	CRA00615	RAM FILM GATHERING	2
26a	CSE00636	SEAL KIT RAM FOR RAM CRA00615	1
<i>SEAL KIT FOR RAM CRA00615</i>			
27	CZC03587	3MM L FILM GATHERING UNIT PART	1
28	CZC03780	3MM BLADE GUARD FUSION 3 PLUS	1
29	CZC03918	3MM SENSOR BRACKET FUSION 3 NRF	1
30	CZD02776	WASHER 10X35X4	2
31	CZD02793	4MM L FILM GATHERING UNIT PART	1
32	CZD02794	4MM L FILM GATHERING UNIT PART	1
33	CZF06237	6MM L ROLLER BRACKET FUSION 2	1
34	CZF06845	6MM L KNIFE BRACKET FUSION 3	1

No.	Part No	Description	Qty
-----	---------	-------------	-----

No. Part No	Description	Qty
0 ACH01411	BRAKE CALIPER COMP ASSY FUSION 3 <i>COMPLETE ASSEMBLY - USED ON FUSION RANGE ONLY (REPLACES ACH00342)</i>	1
0 ACH01516	BRAKE UNIT DISPENSER RING (EXTD PADS) <i>COMPLETE ASSEMBLY - USED ON ORBITAL WRAPPER ONLY</i>	1
1 ABS00014	BRAKE PAD SET CALIPER FUSION <i>USED ON FUSION RANGE ONLY (INCLUDES ITEM 2)</i>	1
1 ABS00245	BRAKE PAD EXTENDED OUTER <i>USED ON ORBITAL WRAPPER ONLY</i>	1
2 ABS00014	BRAKE PAD SET CALIPER FUSION <i>USED ON FUSION RANGE ONLY (INCLUDES ITEM 1)</i>	1
2 ABS00246	BRAKE PAD EXTENDED INNER <i>USED ON ORBITAL WRAPPER ONLY</i>	1
3 ACH01410	BRAKE PAD SLIDE FUSION 3 <i>REPLACES ACH00344</i>	1
4 CFA00123	NUT M10 NYLOC	3
5 CFA00124	NUT M12 NYLOC	1
6 CFA00128	NUT M16 NYLOC	1
7 CFA00140	WASHER FLAT 16MM Z/P	1
8 CFA00156	BOLT M10X55	2
9 CFA00201	WASHER FLAT 10 MM Z/P	2
10 CFA00251	WASHER SKM10	2
11 CFA00312	SETSCREW M10X40 Z/P	1
12 CFA00602	SETSCREW M10X30 SOC CAP Z/P	2
13 CFA00798	WASHER M10 NORDLOC	2
14 CFA01034	BOLT M16X70 Z/P GRADE 8.8	1
15 CMH00809	BUSH 10X16X11 Z/P	2
16 CMH01329	BUSH 10X25X12	2
17 CRA00172	RAM BRAKE CALIPER	1
18 CSG00032	SPRING BELVILLE 18X50	16
19 CZD04962	4MM L SUPPORT STRUT BRAKE UNIT	1
20 CZF06844	6MM SPACER PLATE BRAKE CALIPER	1
21 CZH03976	10MM BRAKE CALIPER PART FUSION 3 <i>REPLACES CZH02466</i>	1

No. Part No	Description	Qty
-------------	-------------	-----

No.	Part No	Description	Qty
0	ABD00092	SIDE TIP WITH BOBBINS FUSION RETROFIT	1
<i>SIDE TIP ASSEMBLY RETROFIT KIT - INCLUDES ALL REQUIREMENTS + INSTRUCTIONS</i>			
1	ABD00030	BOBBIN AXLE BUSH	1
2	ABD00038	LEFT MOUNTING BRACKET	1
3	ABD00041	SIDE TIP BALER WELD	1
<i>NO LONGER AVAILABLE. MUST ORDER COMPLETE SIDE TIP ASM - PART No ABD00092</i>			
4	ABD00047	FUSION 2 SIDETIP BAR	1
5	ABD00048	FUSION 2 SIDETIP GROUND SUPPORT	1
6	ABD00050	LATCH SIDE TIP DROP BAR	2
7	ABD00053	HINGE ASSY SIDETIP FUSION 2	1
<i>INCLUDES ITEMS 9, 14, 17, 18, 31, 39, 49, 52 &amp; 53</i>			
8	ABD00040	LOCK PIN 25X200 SIDETIP FUSION	1
<i>FUSION 1 &amp; 2 ONLY</i>			
8	ABD00066	PIN 25 X 180 SIDE TIP FUSION 3	1
<i>FUSION 3 ONLY</i>			
9	ALA00335	PIN ASSY 20MM SIDETIP FUSION 2	1
10	CBC00021	CAP SQ PLASTIC INSERT 80 X 50	1
11	CFA00005	LINCH PIN 10MM	1
12	CFA00024	SETSCREW M10X25 Z/P	1
13	CFA00026	BOLT M10X60	1
14	CFA00033	SETSCREW M12X35 Z/P	7
15	CFA00118	GREASE NIPPLE M8X1.25 STRAIGHT	1
16	CFA00123	NUT M10 NYLOC	5
17	CFA00124	NUT M12 NYLOC	10
18	CFA00128	NUT M16 NYLOC	15
19	CFA00134	WASHER MUDWING M10X38MM OD	1
20	CFA00135	WASHER FLAT 1" Z/P	1
21	CFA00138	WASHER FLAT 12MM Z/P	12
22	CFA00140	WASHER FLAT 16MM Z/P	1
23	CFA00200	U BOLT M16X80X50 Z/P	2
24	CFA00201	WASHER FLAT 10 MM Z/P	4
25	CFA00202	LINCH PIN 6MM	2
26	CFA00250	WASHER SKM12	3
27	CFA00251	WASHER SKM10	1
28	CFA00282	BOLT M16X45	1
29	CFA00312	SETSCREW M10X40 Z/P	4
30	CFA00324	SETSCREW M12X40 Z/P	2
31	CFA00349	SETSCREW M16X55 Z/P	10
32	CFA00579	BOLT M12X65 ZP	2
33	CHY00020	WASHER DOWTY 3/8"	2
34	CHY02002	ADAPTOR 3/8" BSP M/M	1
35	CHY02098	ADAPTOR 3/8" BSP M-F	1
36	CMH00745	BUSH 12X25X25	2
37	CMH00874	SHAFT 30 X 660	1
38	CMH00968	BUSH 19X12.5X11	1
39	CMH01188	BUSH 16X30X11	2
40	CPL00008	BOBBIN ASY BIG 30MM BEARING	2
41	CSG00303	SPRING EXT 4.47X40.3X240 OPEN EYES	1
<i>REPLACES CSG00207</i>			
42	CTP00070	DUST CAP 170/60-8 VREDESTEIN	1

No.	Part No	Description	Qty
43	CVA00276	VALVE NEEDLE 3/8	1
44	CWH00037	WHEEL 170/60-8 V64+ 6PLY PICK-UP	1
45	CXT00424	C042.4X4X45	1
46	CZD04329	4MM L WASHER 12.5X40X4	1
47	CZF04875	6MM L FUSION 2 SIDETIP BRACKET	1
48	CZF04876	6MM L FUSION 2 SIDETIP BRACKET	1
49	CZH02668	10MM L FUSION SIDE TIP	1
50	CZH03157	10MM L FUSION SIDETI	1
51	CZH03164	10MM L FUSION SIDETIP	1
52	CZH03485	10MM BALER SIDE TIP BRACKET	1
53	CZH03486	10MM BALER SIDE TIP BRACKET	1

No.	Part No	Description	Qty
1	CVA00351	VALVE KNIFE/FLOOR CTRL FUSION2	1
2	CVA00580	VALVE DBL BLOCK 2-POS 3-WAY NC	1
<i>DOES NOT INCLUDE ITEM 5</i>			
5	CEL00605	SOLENOID CONNECTOR 3-WAY EARTH	1
<i>SOLD SEPARATELY</i>			
8	CVA00557	BLANKING CAP SAE08 OPEN	1
9	CHY00053	WASHER DOWTY 1/2"	1
10	CHY02013	ADAPTOR 1/2" BSP M/M	1
11	CVA00304	BSP 1/2 PLUG	1
12	CVA00243	CHECK VALVE CARTRIDGE FOR TIP	2
13	CVA00582	PISTON	2
14	CHY02010	ADAPTOR 1/4" BSP M/M	5
15	CHY00015	WASHER DOWTY 1/4"	5
16	CVA00176	PLUG BSP 1/4 ALLEN HD SEAL	5

No.	Part No	Description	Qty
-----	---------	-------------	-----

No. Part No	Description	Qty
1 CVA00428	BALER DOOR VALVE C/W OVERCENTRE	1
<i>INCLUDES ITEMS 5 THROUGH 19 [DOES NOT INCLUDE ITEMS 2 &amp; 3]</i>		
2 CEL00304	PRESSURE TRANSMITTER 0-250BAR M12	1
<i>MUST BE ORDERED SEPARATELY</i>		
3 CVA00379	ACCUMULATOR 0.16L 75 BAR	1
<i>MUST BE ORDERED SEPARATELY</i>		
5 CVA00560	RELIEF VALVE ASSY	1
7 CSE00615	SEAL KIT FIXED RELIEF CVA00560	1
8 CVA00668	VALVE OVER CENTRE	1
9 CSE00164	O-RING 70 SH NBR 15.60X1.78	1
10 CVA00562	PISTON	1
11 CVA00269	CHECK VALVE CARTRIDGE	1
12 CSE00618	SEAL KIT CHECK VALVE CVA00269	1
14 CHY00020	WASHER DOWTY 3/8	1
15 CHY00053	WASHER DOWTY 1/2	6
17 CHY02008	ADAPTOR 1/2 M 3/8 M	4
18 CHY02013	ADAPTOR 1/2 BSP M/M	1
19 CHY02032	ADAPTOR 1/4 M 3/8 M	1

No. Part No	Description	Qty
-------------	-------------	-----

No.	Part No	Description	Qty
1	CVA00384	PUMP OIL/GREASE ALL FUSION <i>ROUND OIL/GREASE PUMP (REPLACES CVA00145 SQUARE OIL/GREASE PUMP SHOWN)</i>	1
2	CVA00167	8-WAY MASTER GREASE BLOCK	1
3	CVA00166	10-WAY GREASE BLOCK	3
4	CVA00184	GREASE CARTRIDGE	1
5	CVA00169	6-WAY GREASE BLOCK	2
6	CHY00212	OIL RESERVOIR	1
7	CVA00323	10-WAY MASTER OIL BLOCK	1
8	CHY01061	OIL WICK KIT FULL BALER RANGE <i>CONTAINS 4 SEPARATE WICKS FOR ANY MCHALE BALER MODEL (REPLACES CHY00609 SINGLE WICK)</i>	1

No.	Part No	Description	Qty
-----	---------	-------------	-----

No.	Part No	Description	Qty
1	CEL00750	ISOCAN DISPLAY TERMINAL	1
1a	ALA00663	CONTROL BOX MOUNTING BRACKET	1
1b	CEL00670	CONTROL UNIT STOP SWITCH	1
1c	CEL00671	STOP SWITCH CONTACT BLOCK FOR CEL00670	1
1d	CEL01512	ISOCAN SPEAKER	1
<i>REPLACEMENT SPEAKER FOR ISOCAN</i>			
2	CEL00751	ISOCAN ECU	1
3	CEL00914	ISOCAN BATTERY POWER LEAD	1
<i>ALTERNATIVE POWER SUPPLY TO EURO SOCKET</i>			
4	CEL00853	EURO LEAD HEAVY DUTY ISOCAN 2WAY 90DEG	1
5	CEL00913	ISOCAN ECU LOOM W/CAMERA CABLE	1
<i>REPLACES SEPARATE ECU LOOM CEL00779 &amp; CAMERA LEAD CEL00903</i>			
5a	CEL00952	ISOCAN EXTENSION FOR CEL00913	1
5b	CEL00961	CAMERA MALE PHONO CONNECTOR	1
5c	CEL00963	SOCKET CONNECTOR 6WAY PE CA6LD (USED IN CEL00913)	1
5d	CEL00964	BLANKING CAP CA00SD4	1
5e	CEL00903	CAMERA-ISOCAN SIGNAL CABLE	1
6	CEL00780	ISOCAN TERMINAL LOOM	1
6a	CEL00962	PIN CONNECTOR 6WAY PE CA6LS (USED IN CEL00780)	1
7	CEL00775	ISOCAN MAIN LOOM FUSION3	1
8	CEL00776	ISOCAN TOP DOOR LOOM FUSION3	1
9	CEL00777	ISOCAN REAR LOOM FUSION3	1
10	CEL00767	SENSOR M18 PROX M12 PLUG	8
10a	CFA02220	WASHER SERATED M18 SENSOR	16
11	CEL00304	PRESSURE SENSOR	3
12	CEL00768	SENSOR M30 PROX M12 PLUG	1
13	CRA00721	TRANSDUCER SPARE PART OF CRA00701	1
<i>REPLACEMENT TRANSDUCER INSERT FOR RAM CRA00701 ON RH SIDE OF MACHINE UP TO SERIAL No 659049 ONLY</i>			
13a	UWP00204	ULTRASONIC SENSOR KIT FUSION 3 PLUS	1
<i>CONVERTS MACHINES PRIOR TO SERIAL No 659050 FROM TRANSDUCER TO ULTRASONIC (INCLUDING SOFTWARE)</i>			
14	CEL00947	ULTRASONIC SENSOR, SN-300MM	1
<i>ULTRASONIC SENSOR USED TO DETECT WHEN FILM IS APPLIED TO BALE - FROM SERIAL No 659536</i>			
14	CEL00947	ULTRASONIC SENSOR, SN-300MM	1
<i>ULTRASONIC SENSOR USED ON STD RAM CRA00264 ON RH SIDE OF MACHINE FROM SERIAL No 659050</i>			
14a	CFA02220	LOCK WASHER FOR 18MM SENSOR	4
14b	CZC02602	3MM SENSOR MOUNTING PLATE	1
<i>USED TO MOUNT ULTRASONIC SENSOR TO CHAMBER RAM ON RH SIDE</i>			
14c	CZC02603	3MM SENSOR TARGET PLATE PART	1
14d	CZD02927	4MM SENSOR TARGET PLATE	1
14e	CFA00052	SETSCREW M8X20 ZP	2
14f	CFA00054	SETSCREW M6X60 Z/P	1
15	CEL00259	MAGNETIC CLUTCH UNIT 12V	1
16	CEL00648	MOTOR NET CUT UNIT	1
17	CEL00230	RECEIVER FILM BREAK	1
18	CEL00221	DISPENSER CAP EVEN	1
19	CEL00222	DISPENSER CAP ODD	1
20	CEL00820	SWITCH ASSY SAFETY	1
21	CEL00809	E-STOP, 2WAY AMP CONNECTOR	1
21a	CEL00930	EMERGENCY STOP PROTECTIVE SHROUD	1
21b	CFA00083	WASHER FLAT 4MM ZP	4

No.	Part No	Description	Qty
21c	CFA00392	NUT M4 NYLOC	2
21d	CFA02299	SCREW M4X20 DOME HEAD ZP	2
22	CEL00796	WARNING BUZZER SINGLE TONE	1
23	CEL00659	INDEX BUTTON	1
24	CEL00900	COLOUR CAMERA	1
24a	CEL00902	EXTENSION 1.5M 3WAY TO 2WAY	1
24b	CZC02558	3MM CAMERA BRACKET VARIO	1
<i>CAMERA MOUNTING BRACKET</i>			
24c	CFA00952	U-BOLT M10 60.3 TUBE	1
<i>CAMERA MOUNTING CLAMP</i>			
24d	CFA00391	SETSCREW M4X16 ZP	2
<i>CAMERA MOUNTING SCREWS</i>			
24e	CFA00392	NUT M4 NYLOC	2
<i>CAMERA MOUNTING NUTS</i>			
24f	CFA00083	WASHER FLAT 4MM ZP	4
25	CEL00926	ADAPTOR 3WAY AMP-M12 STRAIGHT 2M	1
26	CEL00817	KNIFE SENSOR ADAPTOR	1
27	CEL00959	FUSION E-STOP EXTENSION	1
<i>USED FROM SERIAL No 659432</i>			

CLICK HERE TO **DOWNLOAD** THE COMPLETE MANUAL

- Thank you very much for reading the preview of the manual.
- You can download the complete manual from: [www.heydownloads.com](http://www.heydownloads.com) by clicking the link below



- Please note: If there is no response to CLICKING the link, please download this PDF first and then click on it.

CLICK HERE TO **DOWNLOAD** THE COMPLETE MANUAL