

CE^{*)}

MASCHIO



VIOLA

Cod. F07010621 / Rev. 00 (2007-06)

*) Valido per Paesi UE
*) Valid for EU member countries

IT RICAMBI
EN SPARE PARTS

CLICK HERE TO **DOWNLOAD** THE COMPLETE MANUAL

- Thank you very much for reading the preview of the manual.
- You can download the complete manual from: www.heydownloads.com by clicking the link below



- Please note: If there is no response to CLICKING the link, please download this PDF first and then click on it.

CLICK HERE TO **DOWNLOAD** THE COMPLETE MANUAL

TDH VM600 02

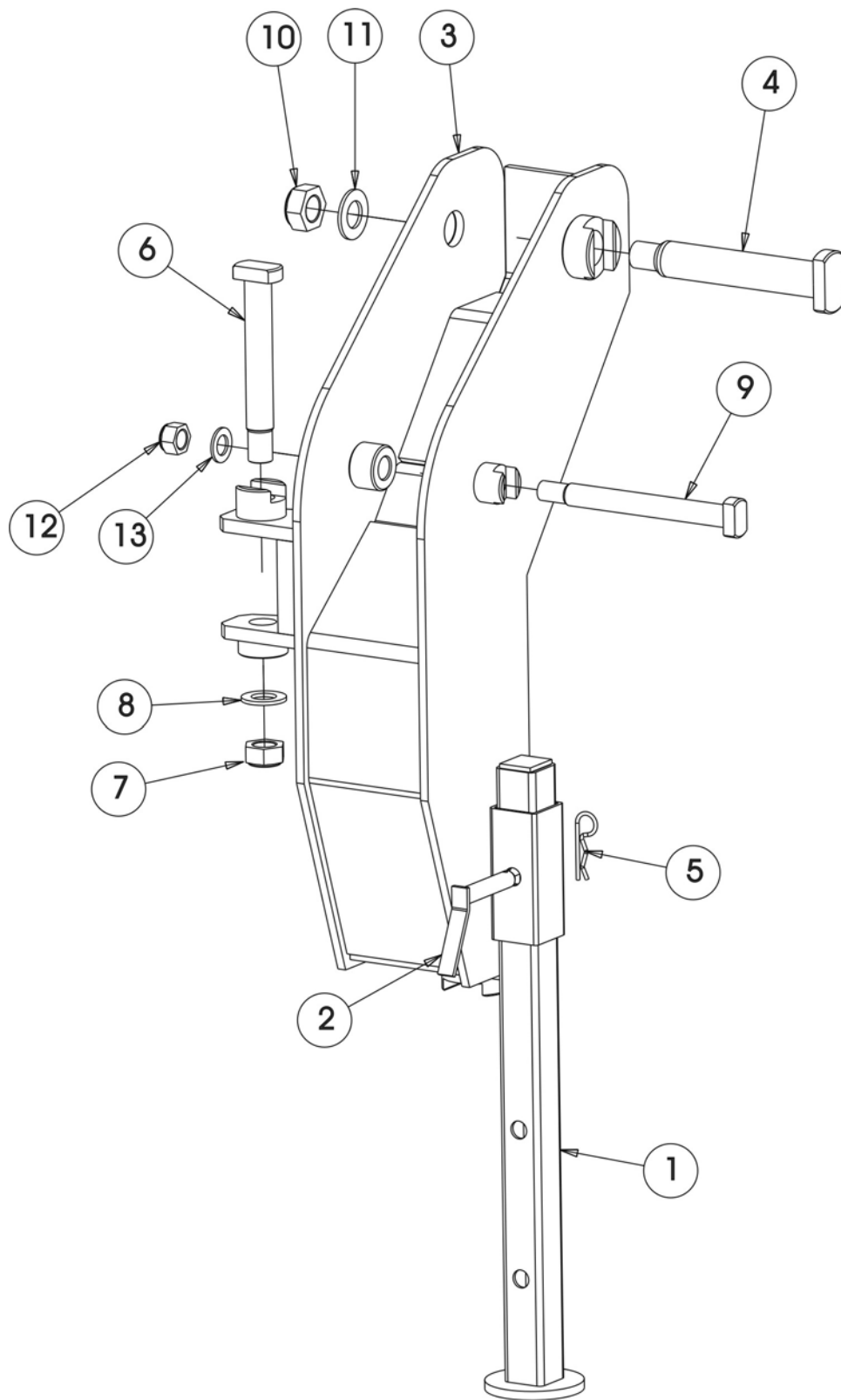
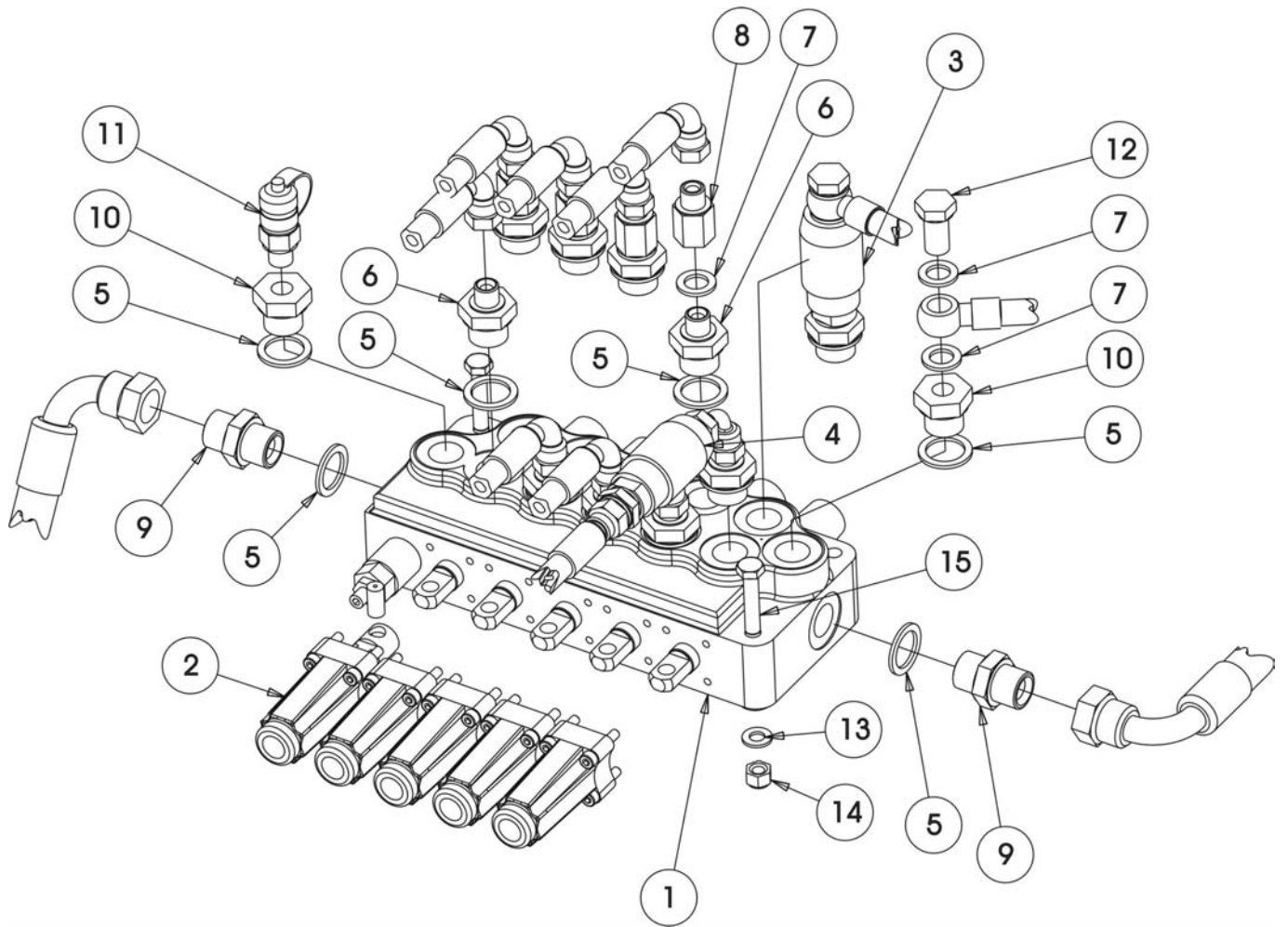


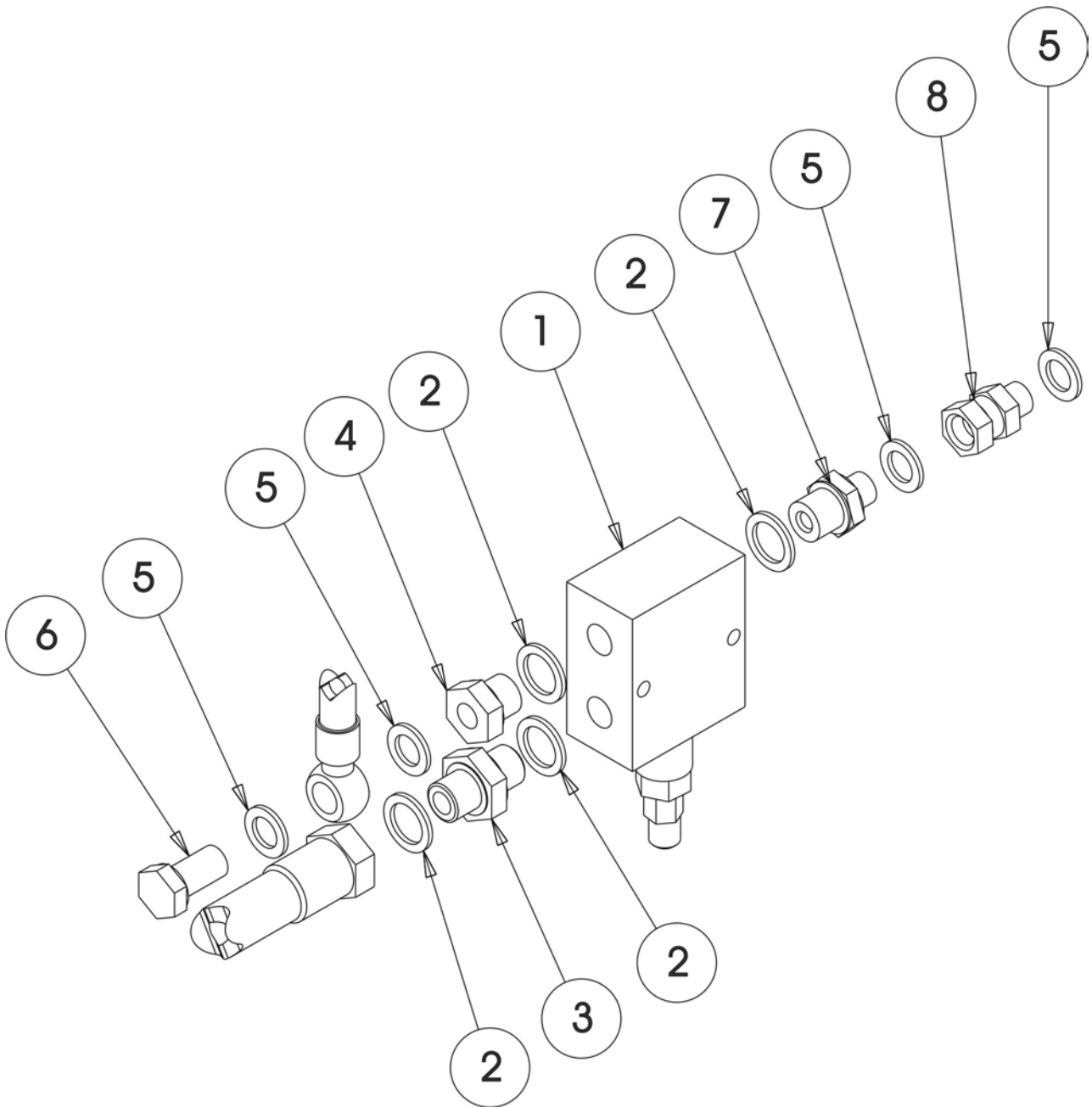
Tavola n° : #T_L1#

N°	Decrizione	Codice	Qtà.	Rif. Tav.
1	TORRETTA	ATT ROT INV 90° CM003 M02	1	
2	SUPPORTO TESTATA	ATT ROT INV 90° CM002 M05	1	
3	ATTACCO TESTATA	ATT ROT INV 90° CM001 M04	1	
4	MARTINETTO	45 MDH 486/275/25 M00	1	28
5	PATTINO	ATT ROT INV 90° TD000 M00	5	
6	INGRASSATORE DRITTO 6X1	INGRASDR000M060P01	2	
7	RONDELLA GROWER RINFORZATA D 20	BULROZGROR00000020	1	
8	RONDELLA PIANA D 20	BULROZPIA000000020	2	
9	SPINA	SPE 88.20 M00	1	
10	SPINA	SPE 68.20 M00	1	
11	CARTER PER CUSCINETTO	ATT ROT INV 90° TD003 M02	1	
12	SPESSORE	ATT ROT INV 90° TD002 M03	1	
13	CUSCINETTO A SFERE	CUSCIMP05111000SFA	1	
14	RONDELLA DI CHIUSURA	ATT ROT INV 90° TD004 M01	1	
15	DADO AUTOBLOCCANTE	BULDAZAUTN039000PG	1	
16	DADO AUTOBLOCCANTE	BULDAZAUTN020000PG	1	
17	GUARNIZIONE BONDED 1/4"	RACCGUARNBO0000014	3	
18	VITE FORATA 1/4"	RACCVIFORS00000140	1	
19	GIUNZIONE M1/4"	RACCGIUN00M0140000	1	
20	RONDELLA PIANA D 16	BULROZPIA000000016	4	
21	DADO AUTOBLOCCANTE	BULDAZAUTN016000PG	4	
22	RONDELLA PIANA D 8	BULROZPIA000000008	6	
23	DADO AUTOBLOCCANTE	BULDAZAUTN008000PG	6	
24	VITE ZINCATA 16X40	BULVIZTE00016040GT	4	
25	VITE ZINCATA 8X35	BULVIZTE00008035GT	6	

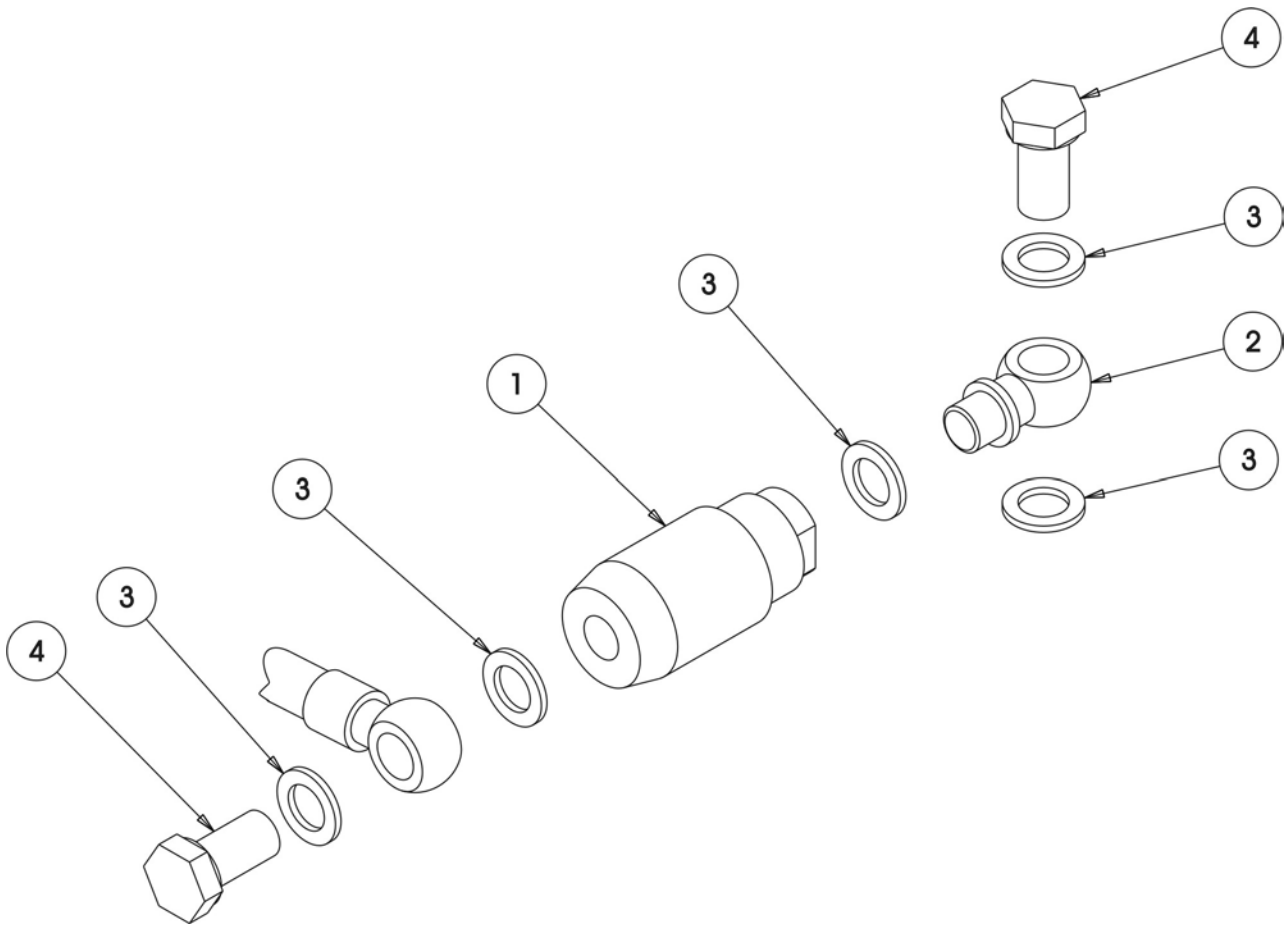
DISDS501200000000



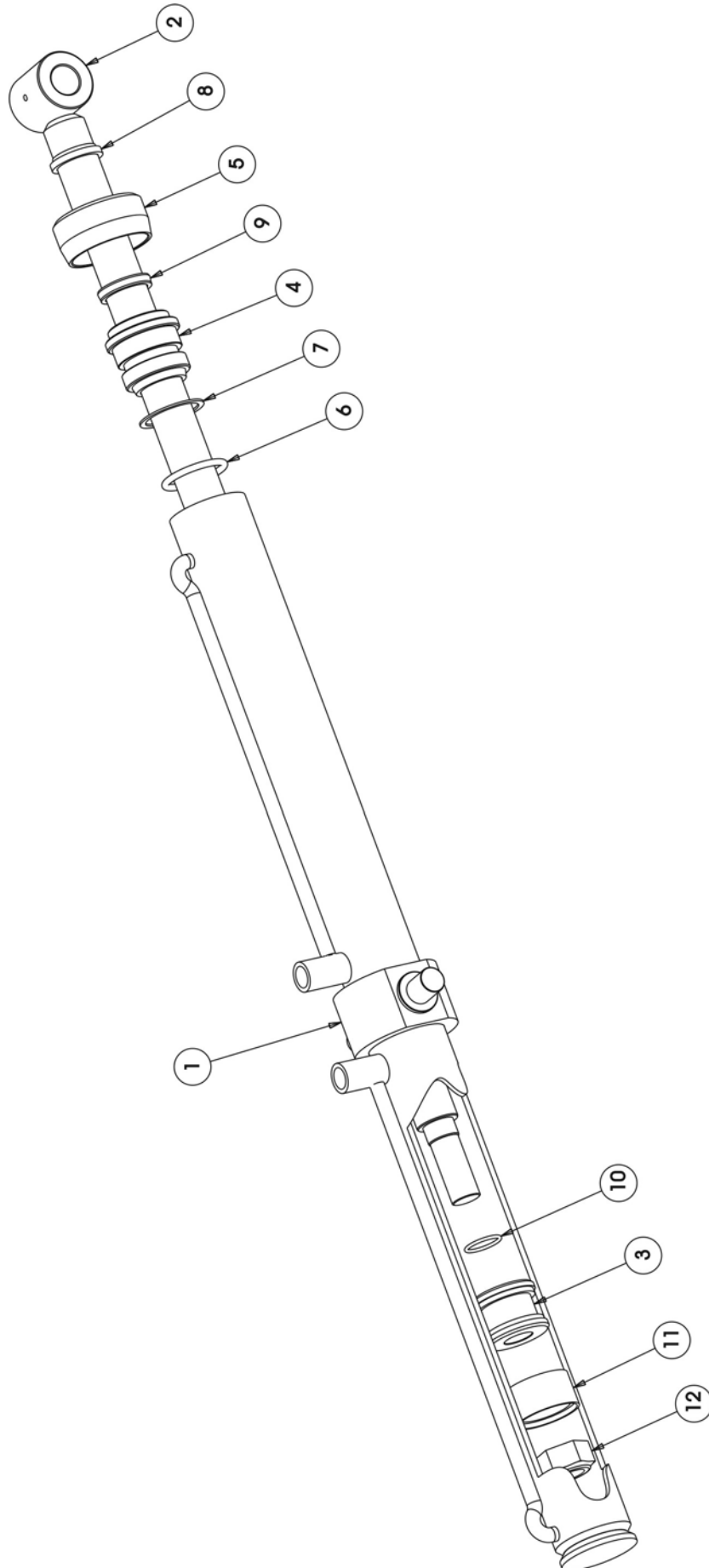
V1



V2T



55MDH 810/35 M00



CLICK HERE TO **DOWNLOAD** THE COMPLETE MANUAL

- Thank you very much for reading the preview of the manual.
- You can download the complete manual from: www.heydownloads.com by clicking the link below



- Please note: If there is no response to CLICKING the link, please download this PDF first and then click on it.

CLICK HERE TO **DOWNLOAD** THE COMPLETE MANUAL