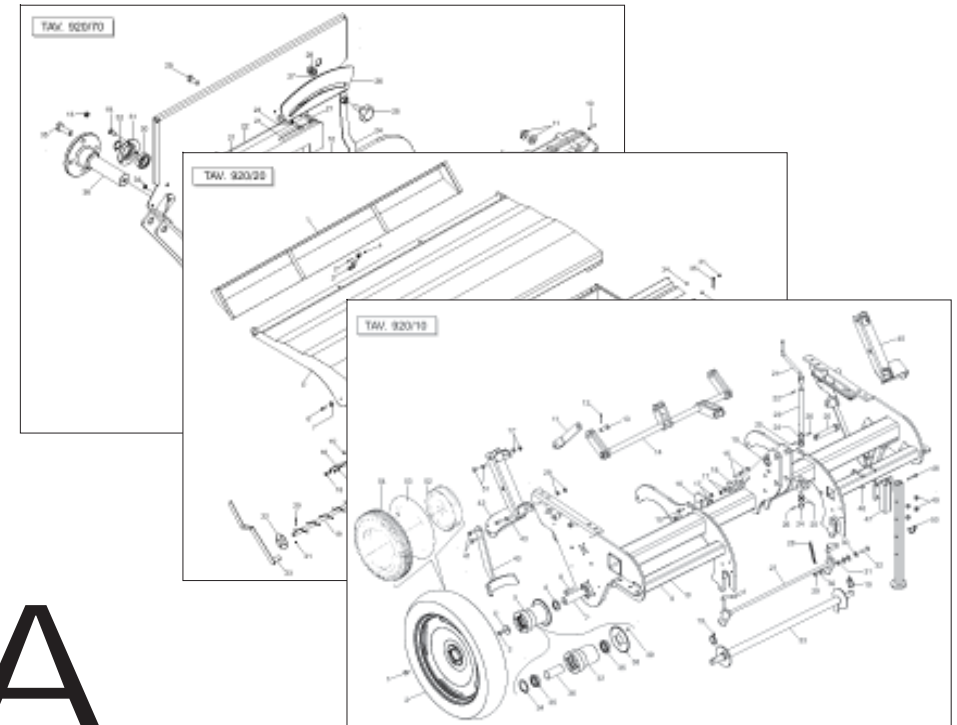


GASPARDO

MASCHIO GASPARDO S.p.A.



S-SC MARIA

Cod: G19531161 2011-06

- *) Valido per Paesi UE
- *) Valid for EU member countries
- *) Valable dans les Pays UE
- *) Gilt für EU-Mitgliedsländer
- *) Válido para Países UE

- IT** PARTI DI RICAMBIO
- EN** SPARE PARTS
- DE** ERSATZTEILE
- FR** PIÈCES DÉTACHÉES
- ES** PIEZAS DE REPUESTO

CLICK HERE TO **DOWNLOAD** THE COMPLETE MANUAL

- Thank you very much for reading the preview of the manual.
- You can download the complete manual from: www.heydownloads.com by clicking the link below



- Please note: If there is no response to CLICKING the link, please download this PDF first and then click on it.

CLICK HERE TO **DOWNLOAD** THE COMPLETE MANUAL

TRAMOGGIA PER DISTRIBUZIONE SEME

TAV. 031

Pos.	Cod.	Descrizione	Description	Description	Benennung	Descripcion
56	G16918000	TRAMOGGIA S-SC MARIA 400				
57	G16920620	ASSE REGOLAZ.TASTATORI ZN 300	ADJUST.SPINDLE 300	AXE REGLAGE 300	EINSTELLACHSE 300	EJE REGULACIN 300
58	G16920860	ASSE REGOLAZ.TASTATORI 350 ZN	ADJUST.SPINDLE 350	AXE REGLAGE 350	EINSTELLACHSE 350	EJE REGULACIN 350
59	G16931210	ASSE REGOLAZ.TASTATORI 400 ZN				
60	G16920630	ASSE DISTRIBUZIONE SEME ZN	AXLE	AXE	ACHSE	EJE
61	G16920870	ASSE DISTRIBUZ.SEME 350 ZN	AXLE	AXE	ACHSE	EJE
62	G16931190	ASSE DISTRIBUZ.SEME 400 ZN				
63	G16920500	ALBERO MESCOLO S-SC 300	MIX SHAFT S-SC 300	ARBRE MELANGEUR S-SC 300	MISCHERWELLE S-SC 300	EJE MEZCLADOR S-SC 300
64	G16920850	ALBERO MESCOLO 350	MIX SHAFT S-SC 350	ARBRE MELANGEUR S-SC 350	MISCHERWELLE S-SC 350	EJE MEZCLADOR S-SC 350
65	G16920230	RONDELLA CHIUS.FORO ALBERO	LOCK WASHER	RONDELLE FERMETURE	UNTERLEGSSCHEIBE	ARANDELA CIERRE
66	G19703570	DECAL.TABELLA REGOLAZIONE	ADJUST. STICKER TABLE	DECALC. TABLEAU DE REGLAGE	ABZIEHB. EINST. TABELLE	CAL. TABLE DE REGULACIËN
67	F05150456	PARACOLPI 30X15 M8X25	BUFFER 30X17 M8X21	PARE-CHOCS 30X17 M8X21	STOSSDZMPFER 30X17 M8X21	PARAGOLPES 30X17 M8X21

ELEMENTI ASSOLCATORI A DOPPIO DISCO «DD»

TAV. 080

Pos.	Cod.	Descrizione	Description	Description	Benennung	Descripcion
1	G17940940	SUPPORTO ELEMENTO OPERATORE				
2	G65336001	MOLLA SPEC.ZN STRING.CONC. SP	SPEC SPRING ZN MAN. PIPE CLAMP	RESSORT SPEC. ZN SERRE-TUBE LO	SPEZIALFEDER ZN DsNGERSCHELLE.	MUELLE ESPEC. ZN APLASTA ABONO
3	G16940560	GUIDA MOLLA	SPRING GUIDE	GUIDAGE RESSORT	FEDERF_HRUNG	GU-A MUELLE
4	G16940540	RONDELLA FERMO MOLLA COMPRESS.	COMPRESS. SPRING LOCK WASHER	RONDELLE ARR-T RESSORT COMPRES	SPERRSCHEIBE DRUCKFEDER	ARANDELA DE TOPE MUELLE COMPRE
5	G16940510	MOLLA COMPRESSIOE ELEMENTO	ELEMENT COMPRESSION SPRING	RESSORT COMPRESSION +L+MENT	DRUCKFEDER ELEMENT	MUELLE COMPRESIEN ELEMENTO
6	F01200442	DADO M16X 1,5 U5589 6.8 ZN	NUT 16X1-5 UNI 5589 6.8 GALVAN	ECROU 16X1-5 UNI 5589 6.8 ZN	MUTTER 16X1-5 UNI 5589 6.8 ZN	TUERCA 16X1-5 UNI 5589 6.8 ZN
7	F20110740	CAV.Q.M12X1,75X 35 63X 98 ZN	U BOLT M12X63 -95 ZN	CAVALIER M12X63 -95 ZN	VERBINDUNG M12X63 -95 ZN	PERNO EN U M12X63 -95 ZN
8	F05150361	RIDUZIONE				
9	G17940850	LAMA SUPPORTO RASCHIATERRA	SOIL SCRAPER SUPPORT	SUPPORT RACLEUR	HALTERUNG ERDSCHABER	SOPORTE RASCADOR TIERRA
10	G17940750	RASCHIATERRA DISCO	DISK SOIL-SCRAPER	RACLEUR DISQUE	ERDSCHABER SCHEIBE	RASCADOR DISCO
11	G17940771	RASCHIATERRA CENTRALE DISCO				
12	G15225480	FLANGIA INT.DISCO PROTETTO ZN	INNER DISK FLANGE	BRIDE INT. DISQUE	INNENFLANSCH SCHEIBE	BRIDA INTERIOR DISCO
13	G15225490	BOCCOLA PARAP.DISCO PROTETTO	BUSHING PARAP.DISCO PROTETTO	BOITE PARAP.DISCO PROTETTO	BUCHSE PARAP.DISCO PROTETTO	MANGUITO PARAP.DISCO PROTETTO
14	G17940910	DISCO ASSOLCATORE D.320	FURROW OPENER DISK D.320	DISQUE OUVR DD D.320	SCHEIBE SZSCHAR D.320	DISCOS SURCADORES D.320
15	G15223651	SUPPORTO CUSCINETTO DISCO	DISK BEARING SUPPORT	SUPPORT PALIER DISQUE	SCHEIBENLAGERBsCHSE	SOPORTE COJINETE DISCO
16	G66248248	TAPPO IN PLASTICA	PLASTIC PLUG	BOUCHON EN PLASTIQUE	PLASTIKPFROPFEN	TAPN DE PLÆSTICO D
17	F04010084	CUSC.D17D47 B22,2 3303 LLU/DDU	BUSHING 3303 2RS	PALIER 3303 2RS	LAGER 3303 2RS	COJINETE 3303 2RS
18	F02050370	ANELLO E. DI 47X1,75 U7437 C70	SEEGER RING 47X 1,75 U7437 C70	SEEGER E. 47X 1,75 U7437 C70	SEEGERING E. 47X1,75 U7437 C70	ANILLO E. 47X 1,75 U7437 C70
19	G15220540	DADO M16X1,5 SX	NUT M16X1-5 LEFT	ECROU M16X1-5 GCH	MUTTER M16X1-5 LI	TUERCA M16X1-5 IZQ
20	G65336025	MOLLA SPEC.ZN STRINGIT.ASP.SP	SPEC SPRING ZN FAN . PIPE CLAM	RESSORT SPEC. ZN SERRE-TUBE AS	SPEZIALFEDER ZN RORHSCHELLE AB	MUELLE ESPEC. ZN APRIETA TUBOS
21	F02250521	RIBATTINO TSC 6 X19,8 A/2	RIVET TSC 6X19,8 A/2 BY PIECE	PAQUET RIVETS TSC 6X 19,8 A/2	PACKUNG NIETEN TSC 6X19,8 A/2	PAQU.REMACHES TSC 6X 19,8 A/2
22	F02250682	INSERTO FIL.M 8X16 ZN T.RIDOTT	CYLINDRICAL NUT 8X16 ZG T.RIDO	ECROU CYLINDRIQUE 8X16 ZG T.RI	ZYLINDRISCHE MUTTER 8X16 ZG	TUERCA CILINDRICA 8X16 ZG T.RI
23	F01020436	VITE M 8X1,25X 20 U5739 8.8 ZN	SCREW M8X1,25X20 U5739 8.8 ZN	VIS M8X1,25X20 U5739 8.8 ZN	SCHRA. M8X1,25X20 U5739 8.8 ZN	TORN. M8X1,25X20 U5739 8.8 ZN
24	F01420048	ROS.M8 8,4X 24X 2 U6593 ZN	WASHER M8 8,4X 24X 2 U6593 ZN	RONDELLE M8 8,4X 24X2 U6593 ZN	SCHEIBE M8 8,4X 24X 2 U6593 ZN	ARANDELA M8 8,4X 24X2 U6593 ZN
25	F01020403	VITE M6X1X16 U5739 8.8 ZN	SCREW M6X1X16 U5739 8.8 ZN	VIS M6X1X16 U5739 8.8 ZN	SCHRAUBE M6X1X16 U5739 8.8 ZN	TORNILLO M6X1X16 U5739 8.8 ZN
26	F01420036	ROS.M6 6,4X 18X 2 U6593 ZN	FLAT WASHER 6-6X 18X2 6593 ZN	ROND. PLATE 6-6X 18X2 6593 ZN	SCHEIBE 6-6X 18X2 6593 ZN	ARAND. PLANA 6-6X 18X2 6593 ZN
27	F01220011	DADO M 6X 1 D980 8 ZN	NUT M6X1 D980 8 ZN	ECROU M6X1 D980 8 ZN	MUTTER M6X1 D980 8 ZN	TUERCA M6X1 D980 8 ZN
28	F01020440	VITE M 8X1,25X25 U5739 8.8 ZN	BOLT M8X1,25X25 U5739 8.8 ZN	VIS M8X1,25X25 U5739 8.8 ZN	SCHRA. M8X1,25X25 U5739 8.8 ZN	TORNIL. M8X1,25X25 U5739 8.8 ZN
29	F01220048	DADO M12X1,75 D980 8 ZN	NUT M12X1,75 D980 8 ZN	ECROU M12X1,75 D980 8 ZN	SCHEIBE M12X1,75 D980 8 ZN	TUERCA M12X1,75 D980 8 ZN
30	F01200432	DADO M14X 1,5 U5589 6S ZN	NUT M14X1.5	ECROU M14X1.5	MUTTER M14X1.5	DADO M14X1.5
31	F01020547	VITE M14X2X50 U5739 8.8 ZN	BOLT M14X2X50	VIS M14X2X50	SCHRAUBE M14X2X50	TORNILLO M14X2X50
32	F02200272	COPIGLIA 10X 60 U1336 ZN	SPLIT PIN 10 X60 1336 GALVAN.	GOUPIILLE 10 X60 1336 ZN	SPLINT 10 X60 1336 ZN	PASADOR 10 X60 1336 ZN
33	F01230084	DADO M16X1,5 D982 6 ZN	SELF LOCKING NUT M16X1,5	ECROU AUTOBL. M16X1,5	SELBSTSPERR.MUTTER M16X1,5	DADO AUTOBL. M16X1,5
34	G17940931	BOCCOLA GUIDA MOLLA ZN				
35	G18803270	BOCCOLA 12 X25 X42	BUSHING 12 X25 X42	BOITE 12 X25 X42	BsCHSE 12 X25 X42	CASQUILLO 12 X25 X42
36	F04150034	CUSCINETTO FLANGIATO 25X28X16	FLANGED BEARING 25X28X16			
37	F01020164	VITE M12X1,75X70 U5737 8.8 ZN	SCREW M12X1,75X70 U5737 8.8 ZN	VIS M12X1,75X70 U5737 8.8 ZN	SCHR. M12X1,75X70 U5737 8.8 ZN	TORN. M12X1,75X70 U5737 8.8 ZN
38	F01220048	DADO M12X1,75 D980 8 ZN	NUT M12X1,75 D980 8 ZN	ECROU M12X1,75 D980 8 ZN	SCHEIBE M12X1,75 D980 8 ZN	TUERCA M12X1,75 D980 8 ZN
39	G17940692	SUPPORTO DISCHI DOPPI				
40	G17940782	SUPPORTO D.DOPPI 90SX				
41	G17940722	SUPPORTO DISCHI DOPPI 90DX				
42	F03011075	AN. TENUTA B1OF 24X32X4	SEALING RING 24X32X4	BAGUE D'ETANCHEITE 24X32X4	DICHTUNGSRING 24X32X4	ANILLO AISLADOR 24X32X4
43	G16941500	DISCO D.320 PROTETTO COMPL				
44	G17940762	SUPPORTO D.DOPPI 120 SX				
45	G17940742	SUPPORTO D.DOPPI 120 DX				
46	F01220033	DADO M10X 1,5 D980 8 ZN	NUT M10X 1,5 D980 8 ZN	ECROU M10X 1,5 D980 8 ZN	MUTTER M10X 1,5 D980 8 ZN	TUERCA M10X 1,5 D980 8 ZN
47	F06120409	RUOTA GOMMA 250X42L PLA.2CUS.>	RUBBER WHEEL 250X24			
48	G16043790	SUPPORTO DOPPIO RUOTINO				
49	F01020137	VITE M10X1,5X120 U5737 8.8 ZN	GALVANIZ. SCREW 10X120 5737 ZN	VIS 10X120 5737 8.G ZN	SCHRAUBE 10X120 5737 8.G ZN	TORNILLO 10X120 8.G ZN
50	F02200342	COPIGLIA R 2X 50 ZN	SPRING SPLIT PIN 2X50 ZN	GOUPIILLE R 2X50 ZN	SPLINT R 2X50 ZN	CHAVETA R 2X50 ZN
51	F02100336	PERNO D.10 UNI 1710 ZN	PIN D.10 UNI 1710	PIVOT D.10 UNI 1710	BOLZEN D.10 UNI 1710	PERNO D.10 UNI 1710

ERPICE COPRISEME E PEDANA «mod. 360-400»

TAV. 121

Pos.	Cod.	Descrizione	Description	Description	Benennung	Descripcion
1	F20110705	CAV.Q.M10X 1,5X 30 51X 62 ZN	U-BOLT GALVAN	CAVALIER ZN	BsGELBOLZEN ZN	PERNO EN U ZN
2	G16240780	PIASTRINA MOLLA COPRISEME	PLATE SEED COVER SPRING	PLAQUETTE RESSORT COUVRE-GRAIN	PLZTTTCHEN SAMENABDECKFEDER	PLAQUETA MUELLE CUBRESEMILLAS
3	F01020172	VITE M12X1,75X110 5737 8.8 ZN	SCREW M12X1,75X110 5737 8.8 ZN	VIS 12X110 5737 8.G ZN	SCHRAUBE 12X110 5737 8.G ZN	TORNILLO 12X110 5737 8.G ZN
4	F01220033	DADO M10X 1,5 D980 8 ZN	NUT M10X 1,5 D980 8 ZN	ECROU M10X 1,5 D980 8 ZN	MUTTER M10X 1,5 D980 8 ZN	TUERCA M10X 1,5 D980 8 ZN
5	G16941210	PEDANA 250X3195	PLATFORM 250X3195	MARCHEPIED 250X3195	TRITTBRETT 250X3195	PLATAFORMA 250X3195
6	G18904190	MOLLA COPRISEME POST.				
7	F01230084	DADO M16X1,5 D982 6 ZN	SELF LOCKING NUT M16X1,5	ECROU AUTOBL. M16X1,5	SELBSTSPERR.MUTTER M16X1,5	DADO AUTOBL. M16X1,5
8	F02200227	COPIGLIA 5X 30 U1336 ZN	SPLIT PIN 5 X30 1336 GALVAN.	GOUPILLE 5 X30 1336 ZN	SPLINT 5 X30 1336 ZN	PASADOR 5 X30 1336 ZN
9	G16941320	SUPPORTO PEDANA				
10	F01410076	ROS.M12 13X 24X2,5 U6592 ZN	WASHER D12 U6592 ZN	RONDELLE D12 U6592 ZN	SCHEIBE D12 U6592 ZN	ARANDELA D12 U6592 ZN
11	F01030495	VITE TTCN 90' M8X16 + DADO ZN	TTCN 90' BOLT M8X16 GALVANIZED	VIS TTCN 90' M8X16 ZN	SCHRAUBE TTCN 90' M8X16 ZN	TORNILLO TTCN 90' M8x16 ZN
12	F01260043	DADO FLANG.M8 D6923 8.8 ZN	FLANGE NUT M8 DIN 6923 8.8 GAL	ECROU BRIDE .M8 DIN 6923 8.8 Z	GEFLANSCHTE MUTTER M8 DIN6923	TUERCA BRIDA M8 DIN 6923 8.8 Z
13	F01220022	DADO M 8X1,25 D980 8 ZN	NUT M8X 1,25 D980 8 ZN	ECROU M8X 1,25 D980 8 ZN	MUTTER M8X 1,25 D980 8 ZN	TUERCA M8X 1,25 D980 8 ZN
14	F01410076	ROS.M12 13X 24X2,5 U6592 ZN	WASHER D12 U6592 ZN	RONDELLE D12 U6592 ZN	SCHEIBE D12 U6592 ZN	ARANDELA D12 U6592 ZN
15	G16940391	PERNO ANTI ROTAZIONE ZN				
16	G16911351	ASS.BRACCIO SUPERIORE				
17	G16940310	REGOLAZIONE ERPICE	HARROW REGULATION	R+GLAGE HERSE	EGGENEINSTELLUNG	REGULACIEN GRADA
18	F01410124	ROS.M20 21X 37X 3 U6592 ZN	WASHER M20 21X37X3 U6592 ZN	RONDELLE M20 21X37X3 U6592 ZN	SCHEIBE M20 21X37X3 U6592 ZN	ARANDELA M20 21X37X3 U6592 ZN
19	F01410100	ROS.M16 17X 30X 3 U6592 ZN	WASHER M16 17X30X3 U6592 ZN	RONDELLE M16 17X30X3 U6592 ZN	SCHEIBE M16 17X30X3 U6592 ZN	ARANDELA M16 17X30X3 U6592 ZN
20	F01200324	DADO M16X 2 U5588 8.8 ZN	NUT M16X2 U5588 8.8 ZN	ECROU M16X2 U5588 8.8 ZN	MUTTER M16X2 U5588 8.8 ZN	TUERCA M16X2 U5588 8.8 ZN
21	G20970503	RONDELLA A FOND.48X17,25X8X1,5	BOTTOMED WASHER 48X17-25X8X1-5	RONDELLE A CULOT 48X17-25X8X1-	BODENSCHNEIBE .48X17-25X8X1-5	ARANDELA DE FOND.48X17-25X8X1-
22	G18904020	MOLLA COMPRESIONE ERPICE	HARROW PRESSURE SPRING	RESSORT COMPRESSION HERSE	DRUCKFEDER EGGE	MUELLE COMPRESIEN GRADA
23	G16940290	TUBO SCORRIMENTO MOLLA	SPRING SLIDING TUBE	TUBE GLISSEMENT RESSORT	FEDERSCHIEBEROHR	TUBO DESLIZAMIENTO MUELLE
24	G16910062	ASS.BRACCIO INFERIORE DX	RIGHT LOWER ARM	BRAS INFERIEUR DRT.	RECHTER UNTERER ARM	BRAZO INFERIOR DER.
25	G16910092	ASS.BRACCIO INFERIORE SX	LEFT LOWER ARM	BRAS INFERIEUR GCH.	LINKER UNTERER ARM	BRAZO INFERIOR IZQ.
26	F01020472	VITE M10X1,5X25 U5739 8.8 ZN	BOLT 10X25 5739 8.G GALVANIZED	VIS 10X25 5739 8.G ZN	SCHRAUBE 10X25 5739 8.G ZN	TORNILLO 10X25 5739 8.G ZN
27	F01410051	ROS.M8 8,4X 17X1,6 U6592 ZN	WASHER M8 8,4X17X1,6 U6592 ZN	RONDEL. M8 8,4X17X1,6 U6592 ZN	SCHEIBE M8 8,4X17X1,6 U6592 ZN	ARANDELA M8 8,4X17X1,6 U6592ZN
28	F01020440	VITE M 8X1,25X25 U5739 8.8 ZN	BOLT M8X1,25X25 U5739 8.8 ZN	VIS M8X1,25X25 U5739 8.8 ZN	SCHRA. M8X1,25X25 U5739 8.8 ZN	TORNIL. M8X1,25X25 U5739 8.8 ZN
29	F01220048	DADO M12X1,75 D980 8 ZN	NUT M12X1,75 D980 8 ZN	ECROU M12X1,75 D980 8 ZN	SCHEIBE M12X1,75 D980 8 ZN	TUERCA M12X1,75 D980 8 ZN
30	G16949130	ERPICE 400				
31	G16941042	ASS.ERPICE S-SC 350				
32	G16915840	SUPPORTO PEDANA				
33	G10710032	PUNTELLO	PROP	ETRESILLON	StStZE	PUNTAL
34	F02200584	SPINA SICUR. D. 12X70 ZN	PIN D12 L70 ZN	FICHE D12 L70 ZN	STIFT D12 L70 ZN	CLAVIJA D12 L70 ZN
35	F02200246	COPIGLIA 6X 45 U1336 ZN	PIN 6 X45 U1336 ZN	GOUPILLE 6 X45 U1336 ZN	SPLINT 6 X45 U1336 ZN	CLAVIJA 6 X45 U1336 ZN
36	F01020083	VITE M 8X1,25X70 U5737 8.8 ZN	SCREW M8X1,25X70 U5737 8.8 ZN	VIS M 8X70	SCHRAUBE M 8X70	TORNILLO M 8X70
37	G15311740	PEDANA L.600	PLATFORM L.600	MARCHEPIED L600	TRITTBRETT L.2700	PLATAFORMA L 600
38	G16915500	SCONTRO A U SP.8 2F13 63				

SEPARATORI TRAMOGGIA

TAV. 171

Pos.	Cod.	Descrizione	Description	Description	Benennung	Descripcion
1	F01410051	ROS.M8 8,4X 17X1,6 U6592 ZN	WASHER M8 8,4X17X1,6 U6592 ZN	RONDEL. M8 8,4X17X1,6 U6592 ZN	SCHEIBE M8 8,4X17X1,6 U6592 ZN	ARANDELA M8 8,4X17X1,6 U6592ZN
2	F01020432	VITE M 8X1,25X16 U5739 8.8 ZN	SCREW M8X 1.25X16 U5739 8.8 ZN	VIS M8X16	SCHRAUBE M 8X16	TORNILLO M 8X16
3	F01220022	DADO M 8X1,25 D980 8 ZN	NUT M8X 1,25 D980 8 ZN	ECROU M8X 1,25 D980 8 ZN	MUTTER M8X 1,25 D980 8 ZN	TUERCA M8X 1,25 D980 8 ZN
4	G16916780	SEPARATORE TRAMOGGIA CONC.250				
5	G16916770	SEPARATORE TRAMOGGIA SEME 250				
6	G16916820	SEPARATORE TRAMOGGIA SEME 360				
7	G16916830	SEPARATORE TRAMOGGIA CONC.360				

CLICK HERE TO **DOWNLOAD** THE COMPLETE MANUAL

- Thank you very much for reading the preview of the manual.
- You can download the complete manual from: www.heydownloads.com by clicking the link below



- Please note: If there is no response to CLICKING the link, please download this PDF first and then click on it.

CLICK HERE TO **DOWNLOAD** THE COMPLETE MANUAL