

Manitowoc

TRADITIONAL CRANE

PARTS MANUAL

This manual has been prepared for and is considered part of

3900

Model

39351

Serial Number

GROUP A = Rotating Structure (Includes rotating bed, operator's cab, cases, fuel tanks, transfer pump, counterweights, guards, platforms, catwalks, machinery enclosure, horn)

GROUP B = Upperworks Machinery (Includes front, rear, and auxiliary drums, boom hoist, swing and drive shafts, hand levers, foot pedals, control linkage, rotation indicators, upperworks hydraulic components, hydraulic piping, hydraulic oil reservoir, lubrication pump and piping, blowers)

GROUP C = Air Components & Electrical (Includes control console, air piping, electric wiring, auxiliary light plant and lighting, TV monitoring, compressor and air tank)

GROUP D = Power Components - Upperworks (Includes engine or motor, radiator, auxiliary power plant, take off converters and piping, controls, VICON power lowering, torque limiter, hydraulic pumps and piping, fuel piping, battery box)

GROUP E = Lower Structure & Control (Includes carbody, crawlers, travel shafts and control, steering travel locks, hydraulic travel, travel power outriggers, carrier, pedestal, lowerworks hydraulic piping, RINGER components, barge mounting and machinery, spud drums)

GROUP F = Attachments (Includes booms, jibs, masts, tower, wire rope guides, equalizer, gantry, fairlead, timber guards, boom angle indicator, block-up limit, tag line, hook block, weight ball, upper and lower boom point, wind speed indicator, crowd and retract dipper sticks, dippers,)

O-NUMBER SECTION = (Includes lacing drawings and purchased component parts drawings referenced in sections A through F)

This manual is arranged in sections as listed above. Sections A through F are arranged by group numerical order with an index after each section tab. An alphabetical index for groups A Through F combined is located after the O-number Section. The O-number section is arranged in numerical order by O-number. Following this cover page are the Basic Specifications, Warranty Information, Tool List (if applicable) Outline Dimensions, Weights, and Dealer Listing.

CLICK HERE TO **DOWNLOAD** THE COMPLETE MANUAL

- Thank you very much for reading the preview of the manual.
- You can download the complete manual from: www.heydownloads.com by clicking the link below



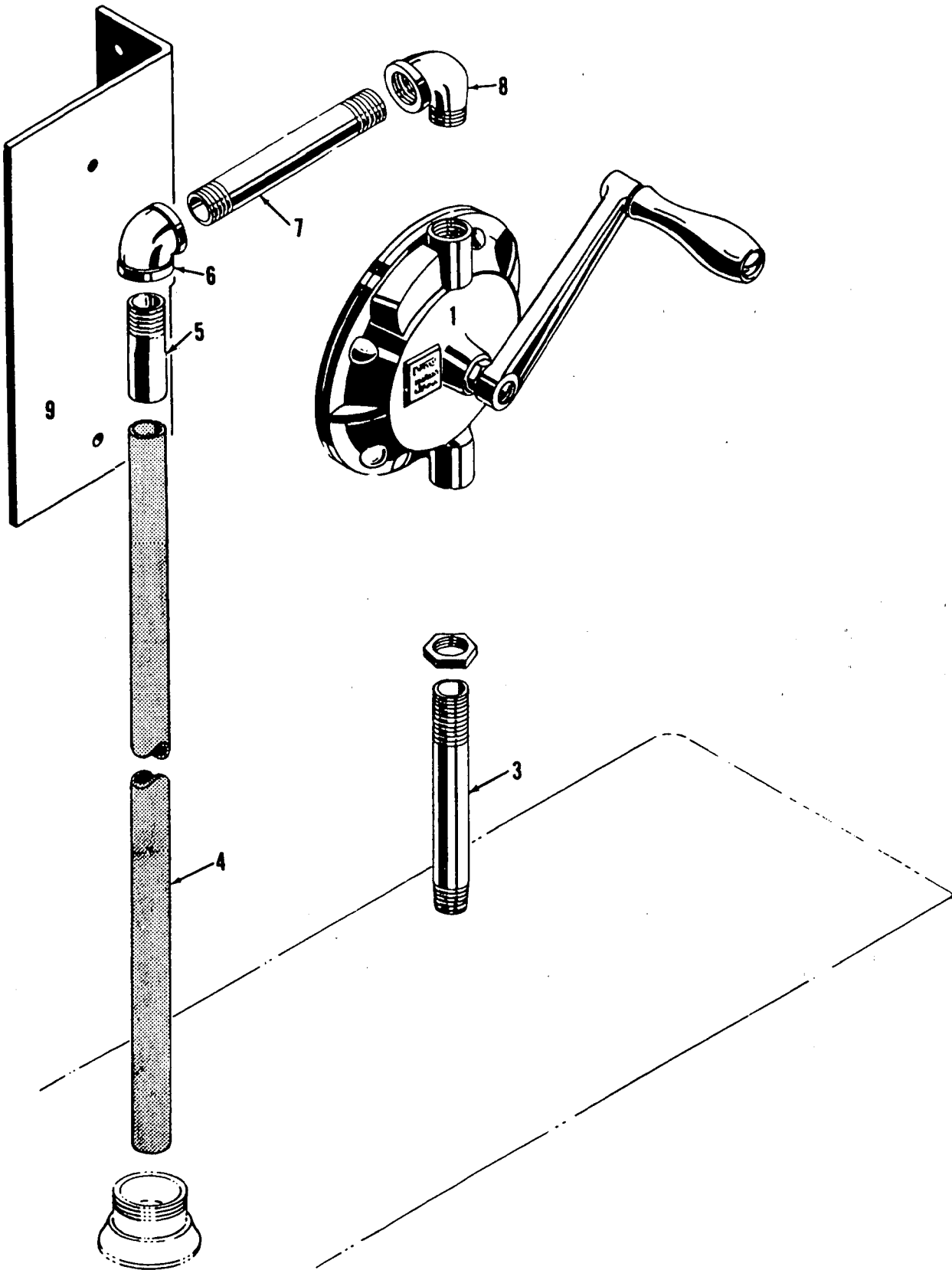
- Please note: If there is no response to CLICKING the link, please download this PDF first and then click on it.

CLICK HERE TO **DOWNLOAD** THE COMPLETE MANUAL

MANITOWOC ENGINEERING CO.

A Division of The Manitowoc Company, Inc.

Manitowoc, Wisconsin



MANITOWOC

23415E1

MATERIAL LIST ON BACK

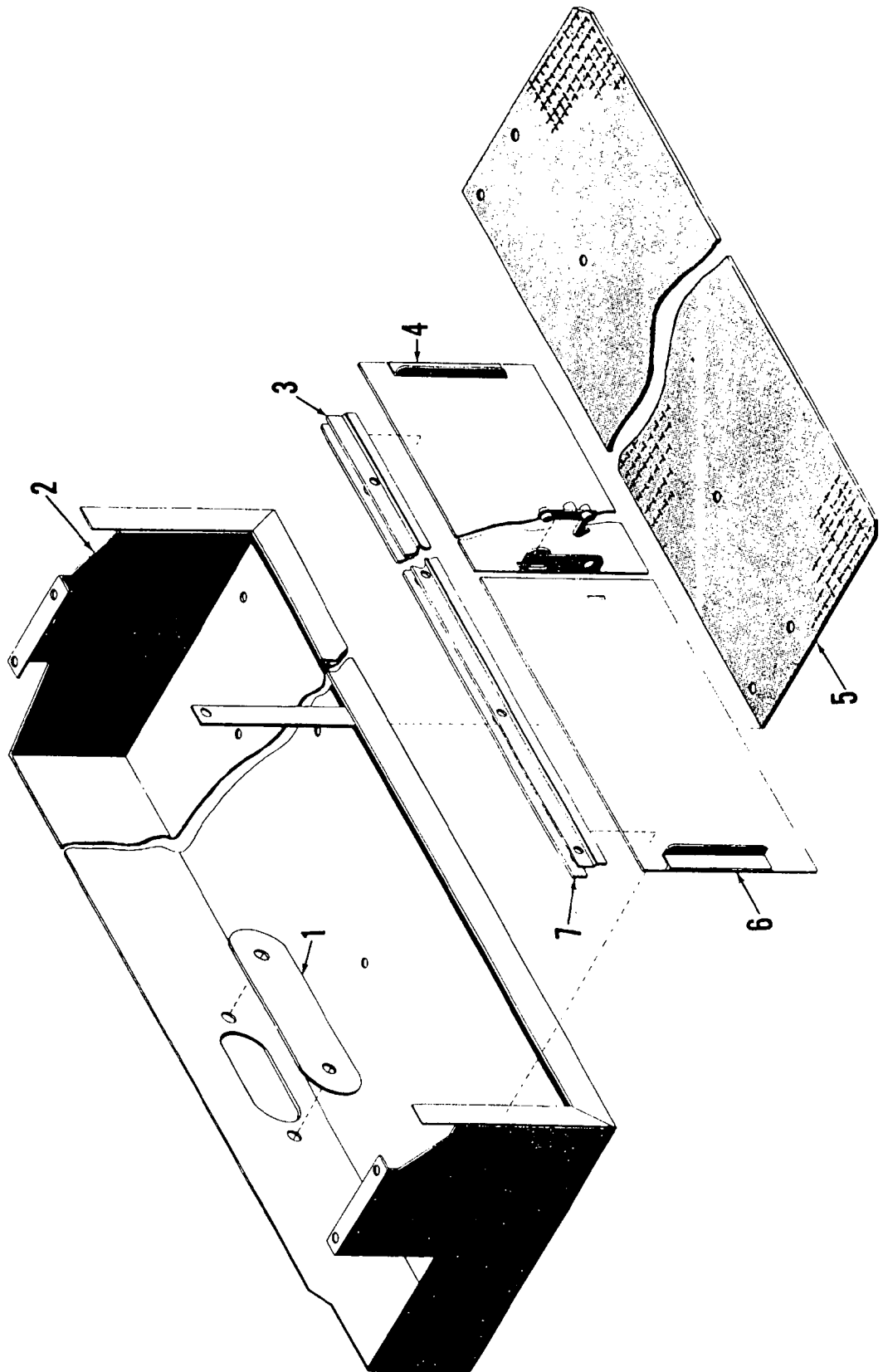
FUEL TRANSFER PUMP

MANITOWOC ENGINEERING CO.

A Division of The Manitowoc Company, Inc.

Manitowoc, Wisconsin

MASTER



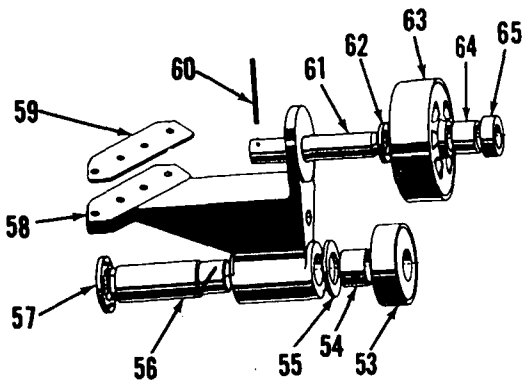
31050 41

Use 31856-A1 Back

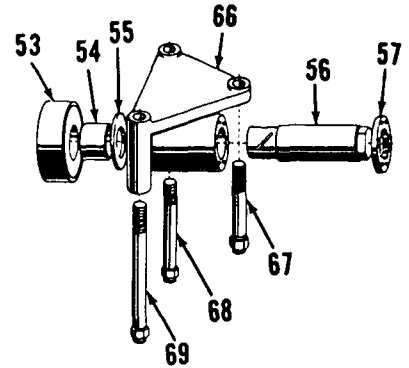
ILLUST. No. 31050-A-1

MATERIAL LIST ON BACK

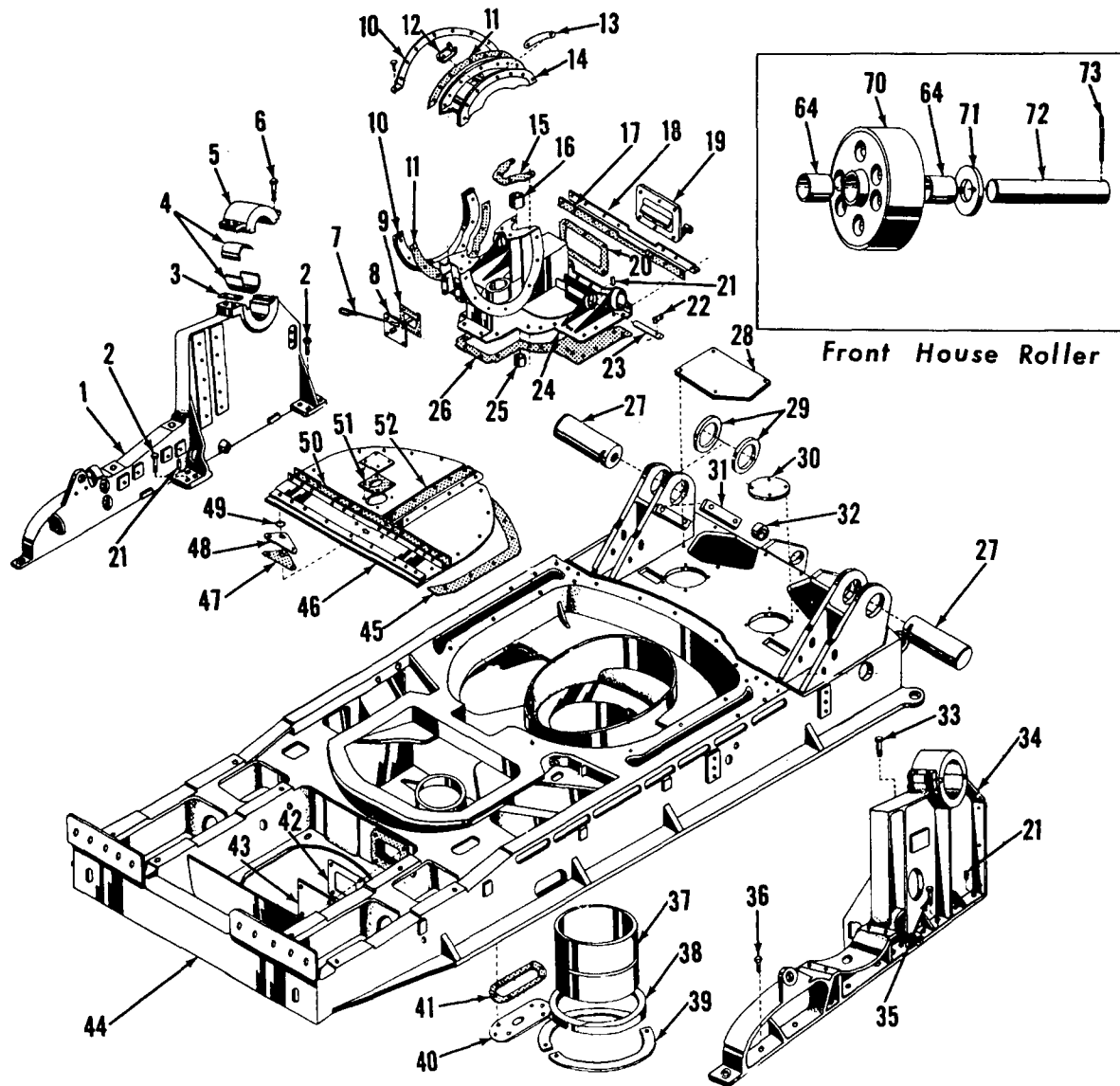
TOOL BOX



Rear House and Hook Rollers



Front Hook Roller



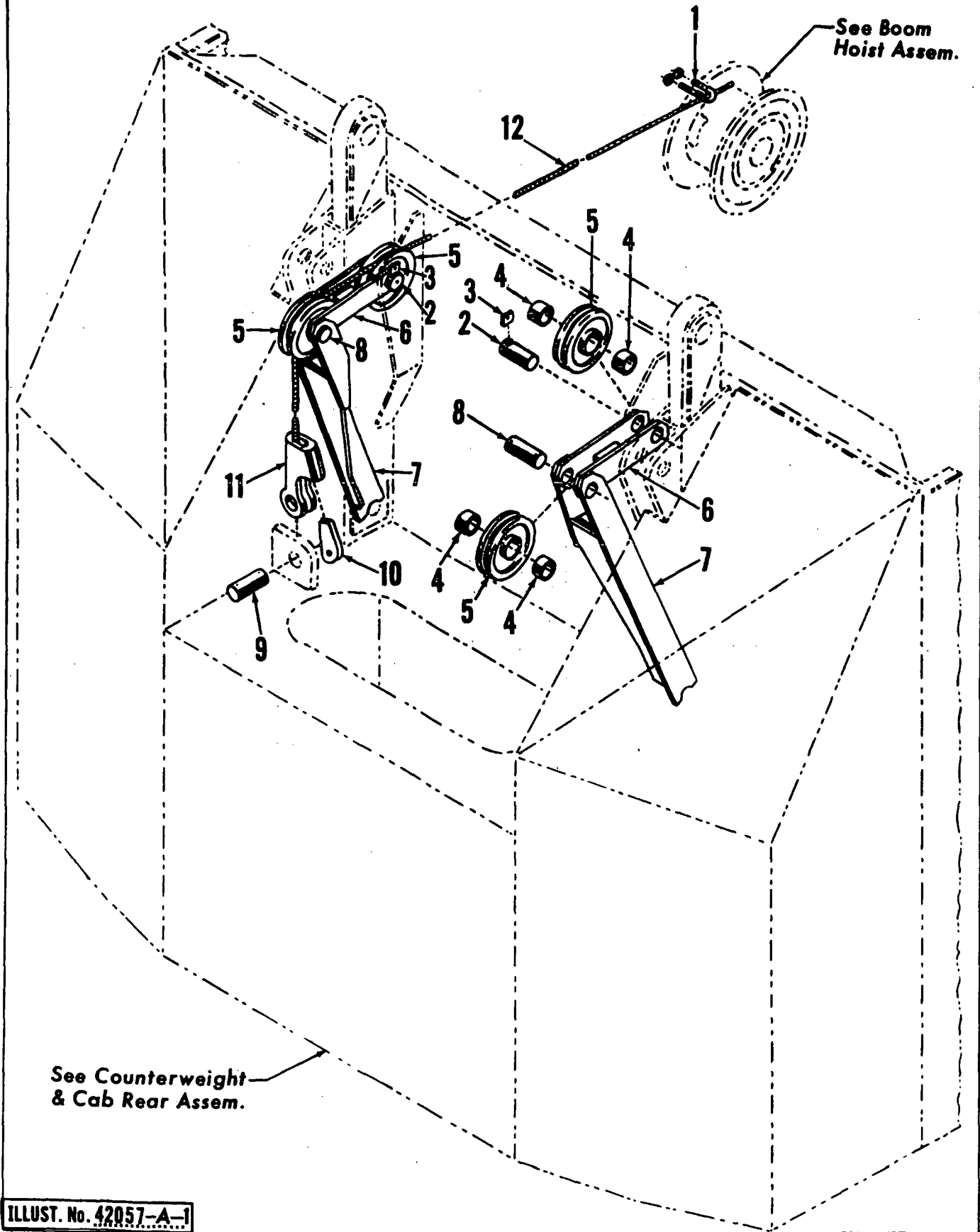
Front House Roller

991 A-1

MANITOWOC ENGINEERING CO.

A Division of The Manitowoc Company, Inc.

Manitowoc, Wisconsin



See Boom Hoist Assem.

See Counterweight & Cab Rear Assem.

ILLUST. No. 42057-A-1

MATERIAL LIST ON BACK

HANDLING DEVICE FOR ONE PC. CW.T.

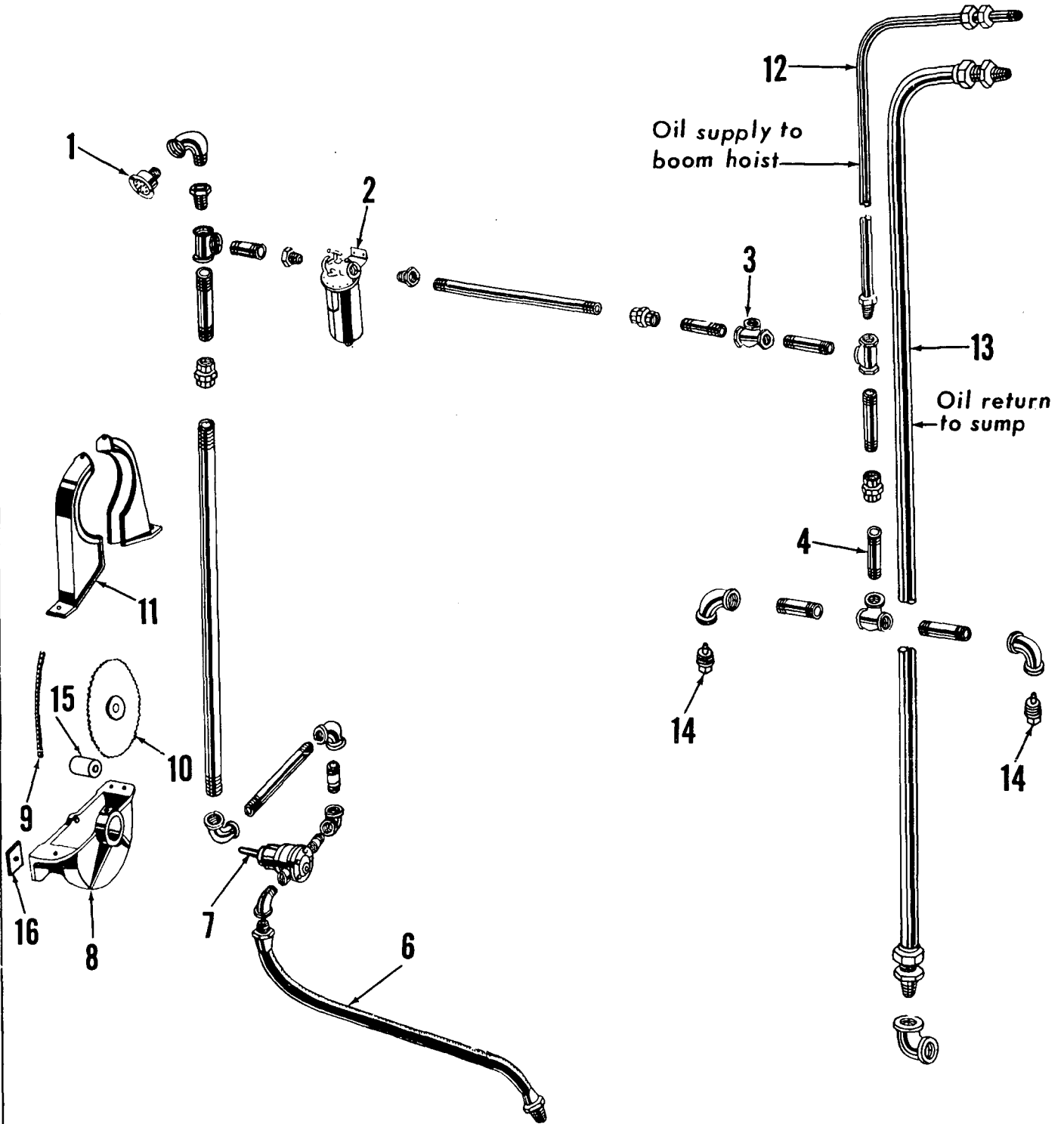
GROUP B - Upperworks Machinery

MANITOWOC ENGINEERING CO.

A Division of The Manitowoc Company, Inc.

Manitowoc, Wisconsin

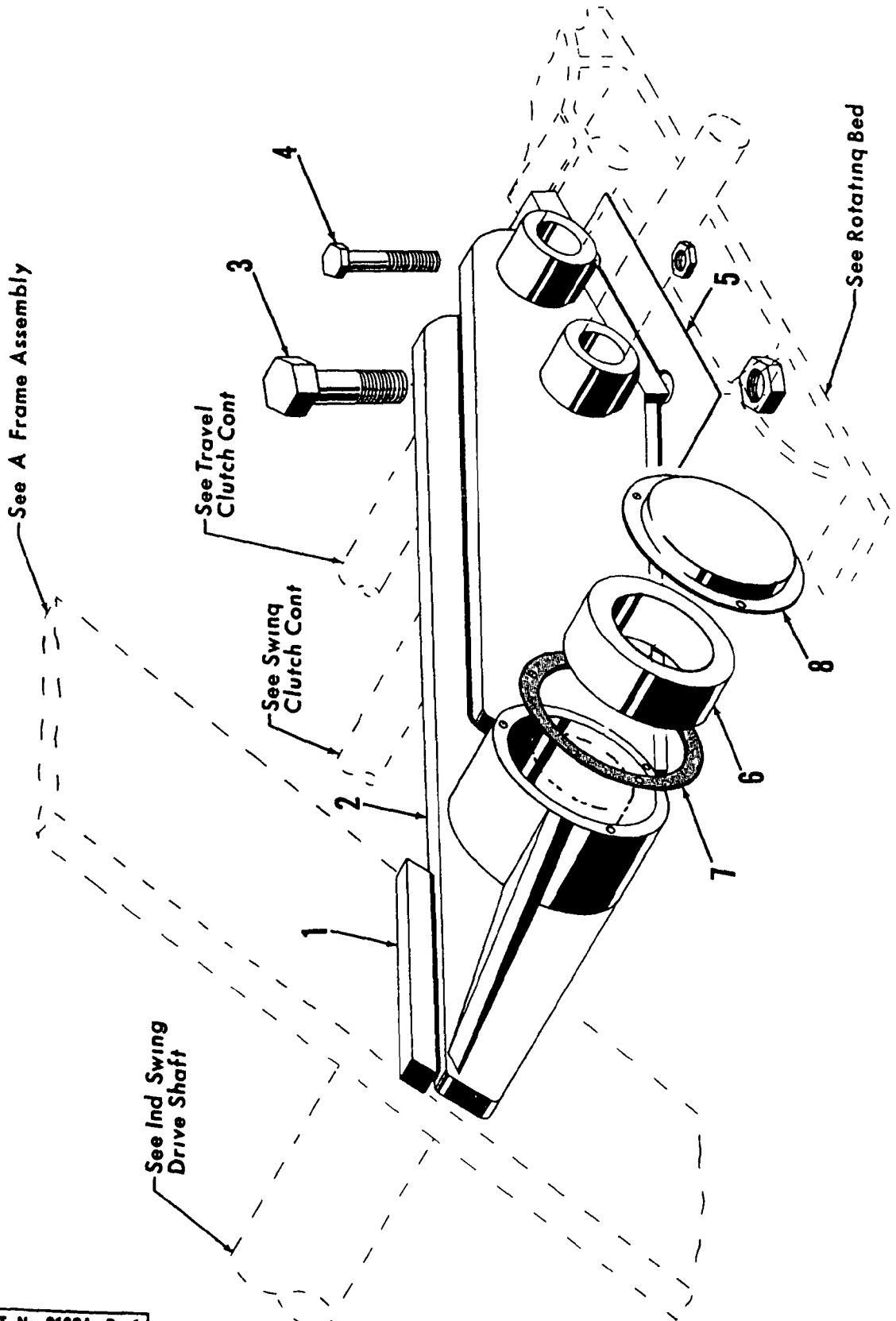
MASTER



4236681

MATERIAL LIST ON BACK

OIL PUMP



ILLUST No 31894-B-1

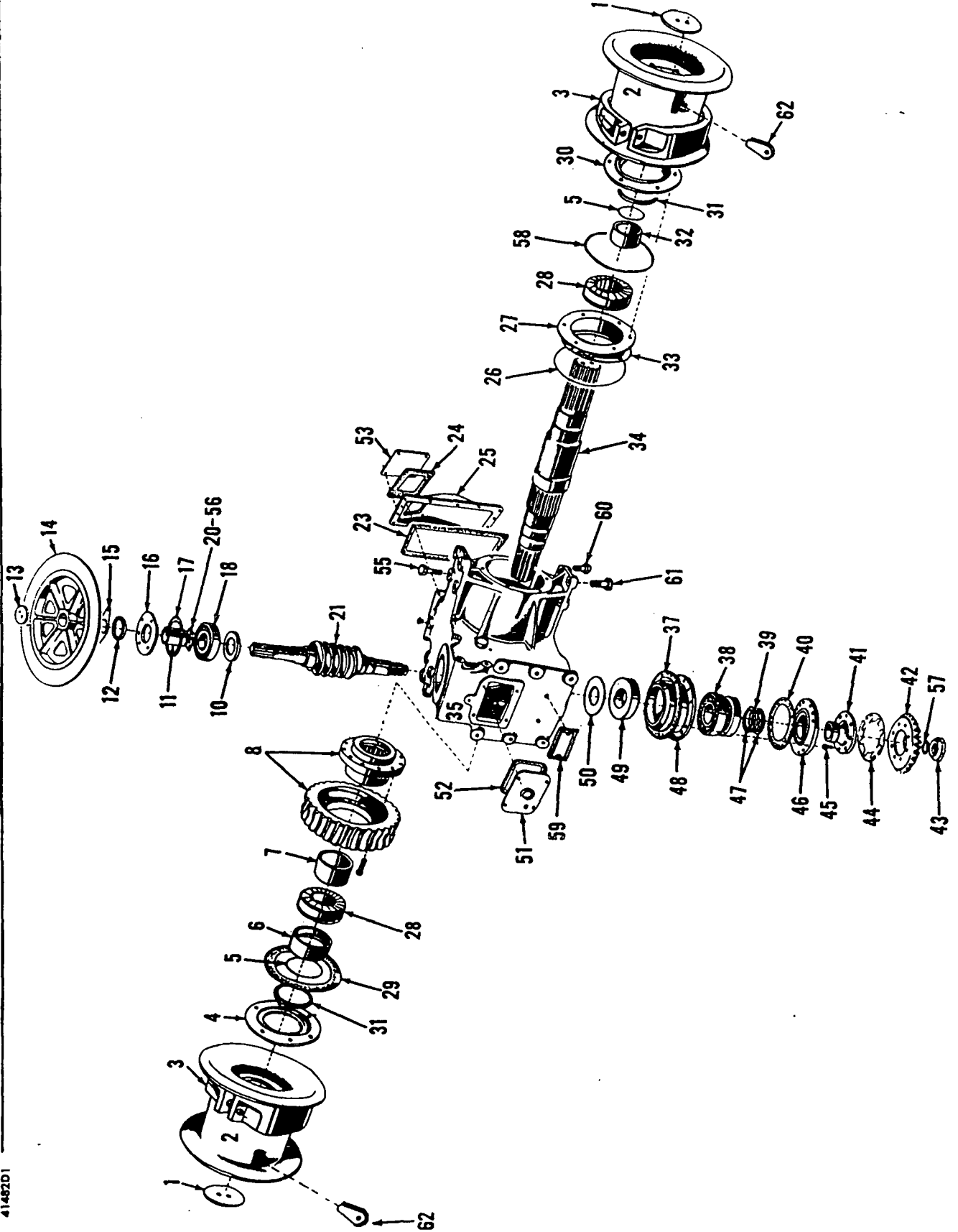
MATERIAL LIST ON BACK

OUTBOARD BEARING ASSEMBLY

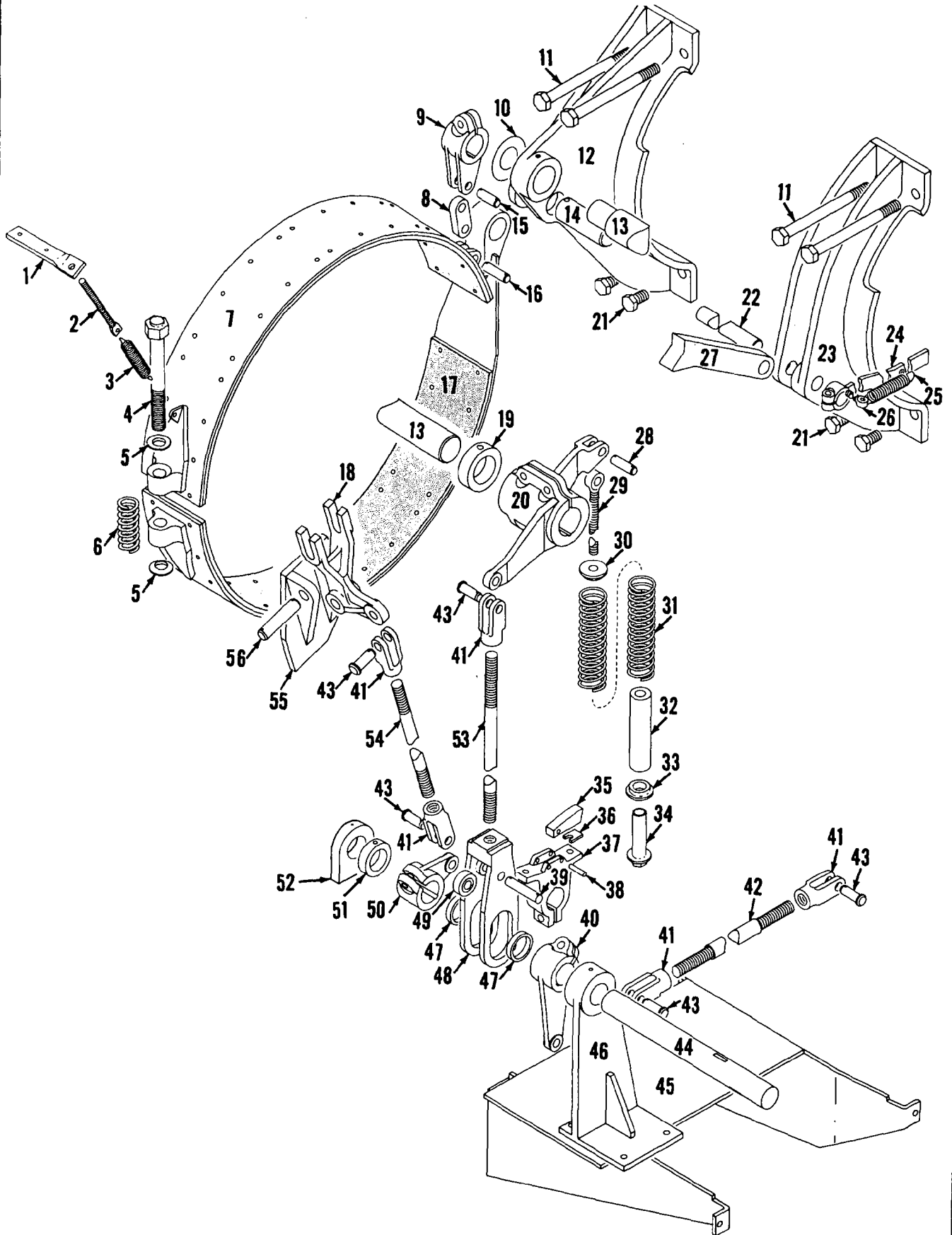
MASTER

41482-D1

41482D1



MASTER



41684D1

MATERIAL LIST ON BACK

THIRD DRUM CONTROL

41684 D1

41727-1Cont.	REV. E	MODEL 3000-3000W-3100-3400-3600-3900-4000-4000W
--------------	-----------	--

IND. BOOM HOIST CONTROL

REF. NO.	PART NUMBER	QUANTITY REQUIRED	DESCRIPTION OF PART	VENDORS PART NO.
35	11487	1	CAM W/capscrew, hex nut and lockwasher	
36	12840	1	LEVER W/capscrew, hex nut and lockwasher	
37	14155	1	ROD W/hex nuts	
	622634	2	SEAL, Lead and Wire	
38	3845	1	ROLLER	
39	19600	1	PIN W/cotter pins	
40	19316	1	YOKE, Control	
42	289563	1	BUSHING	

MASTER

Run as Front

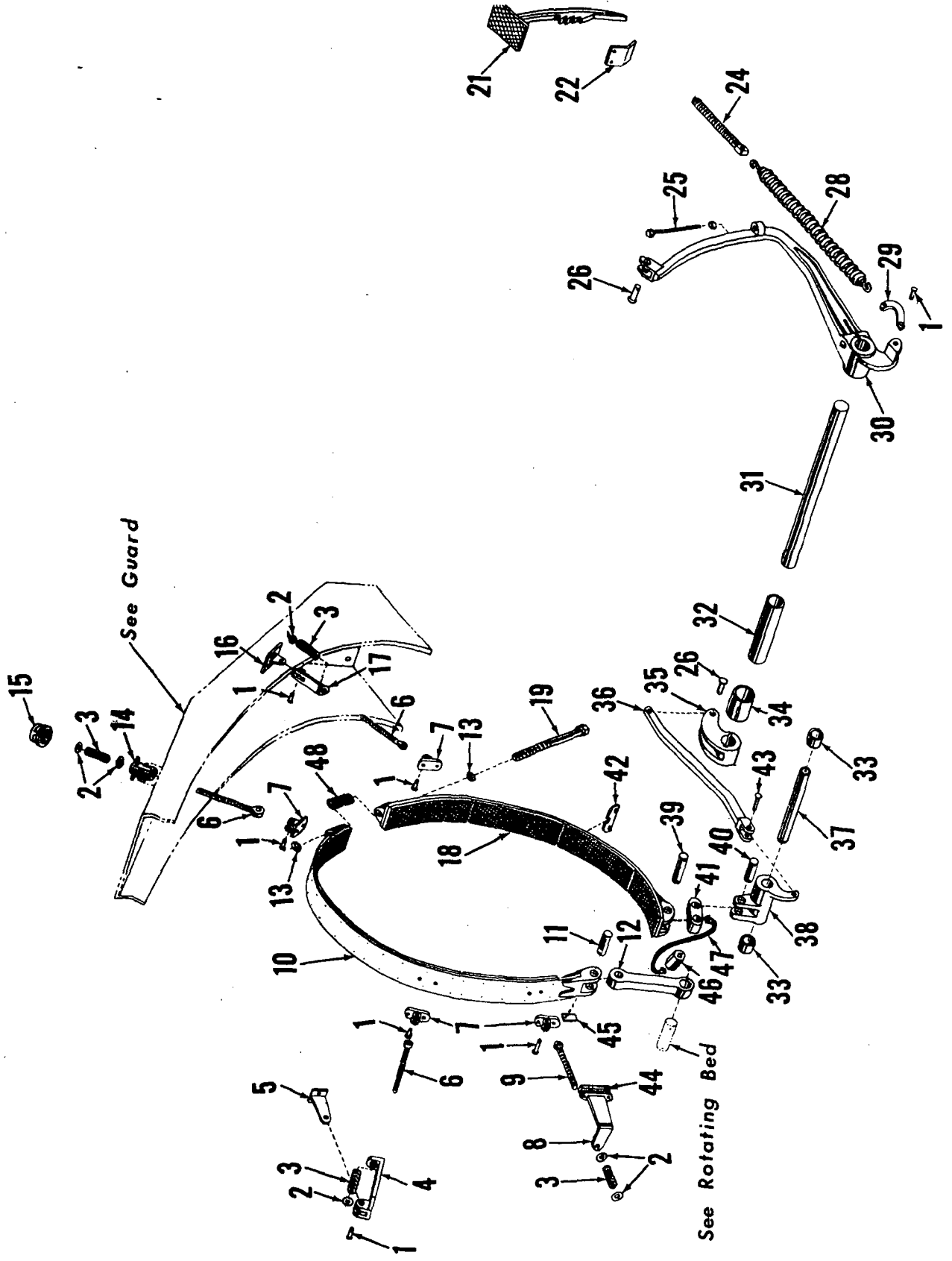
41727 E1 Cont'd.

REV. E	41727 - 1
-----------	-----------

PLEASE GIVE MACHINE S/N W/ORDER

MASTER

41974 C1

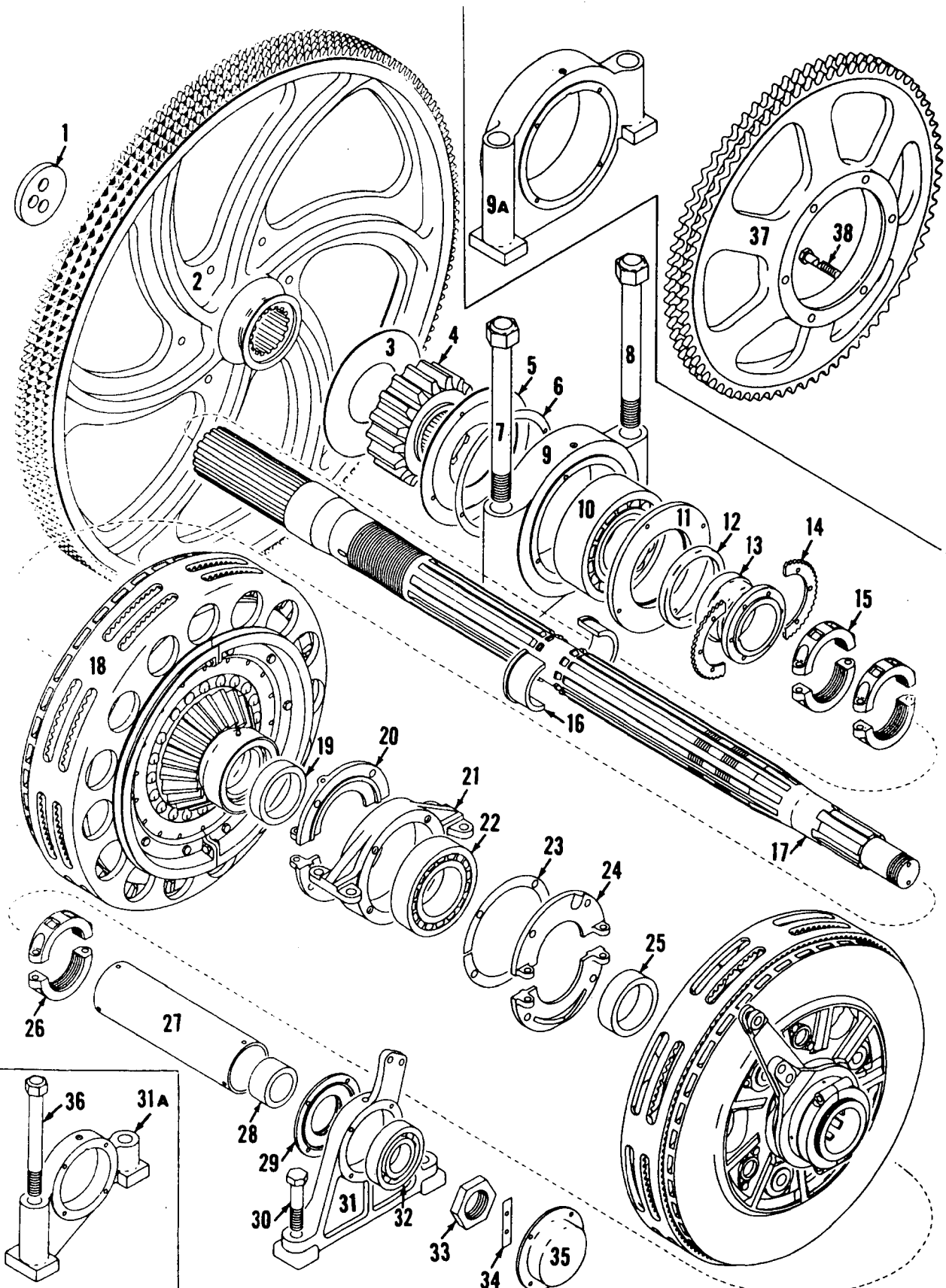


ILLUST. No. 41974-C-1

MATERIAL LIST ON BACK

DRUM BRAKE ASSEMBLY - RIGHT HAND

MASTER



42024 A1

42024A1

MAIN DRIVE SHAFT

CLICK HERE TO **DOWNLOAD** THE COMPLETE MANUAL

- Thank you very much for reading the preview of the manual.
- You can download the complete manual from: www.heydownloads.com by clicking the link below



- Please note: If there is no response to CLICKING the link, please download this PDF first and then click on it.

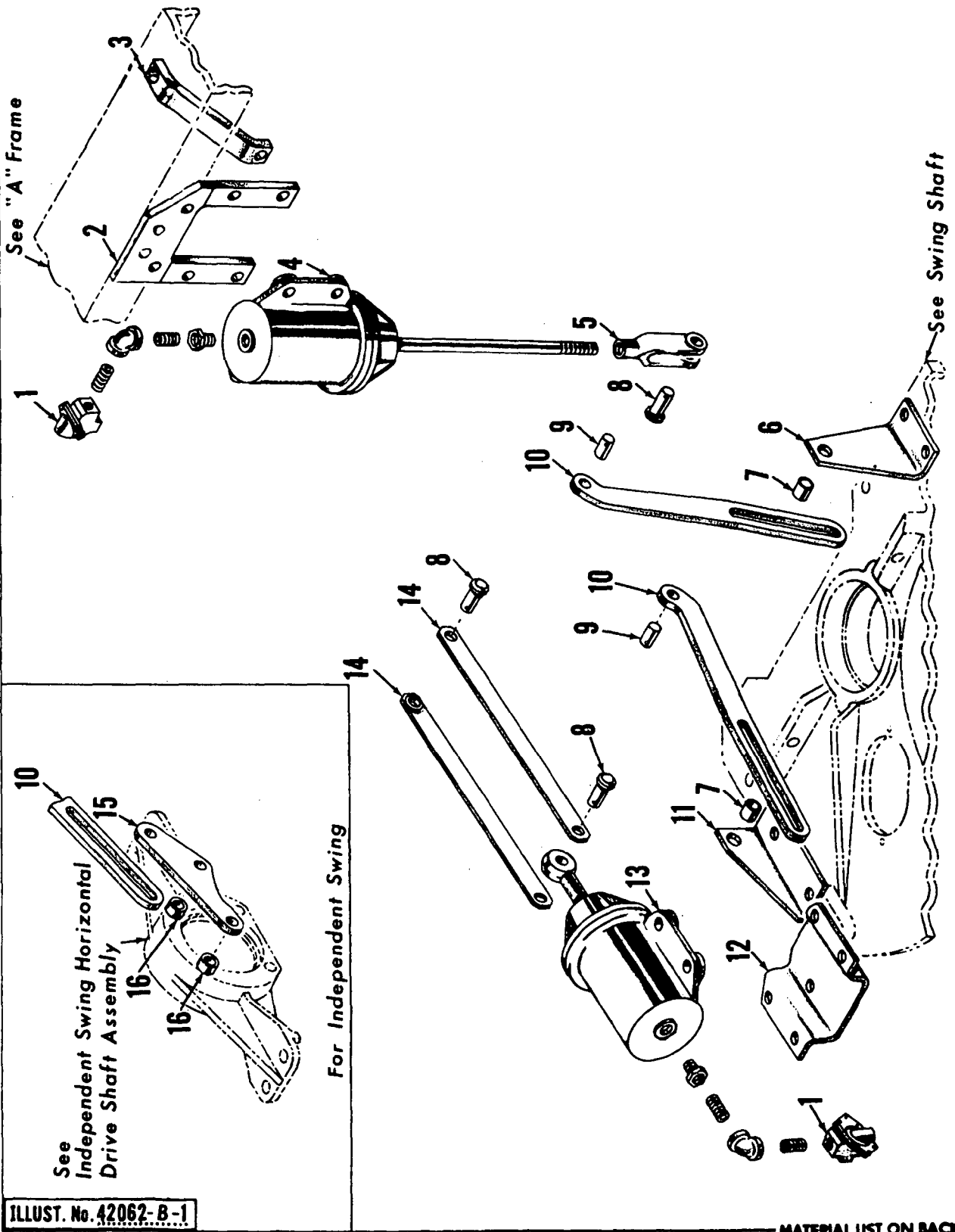
CLICK HERE TO **DOWNLOAD** THE COMPLETE MANUAL

MASTER

MANITOWOC ENGINEERING CO.

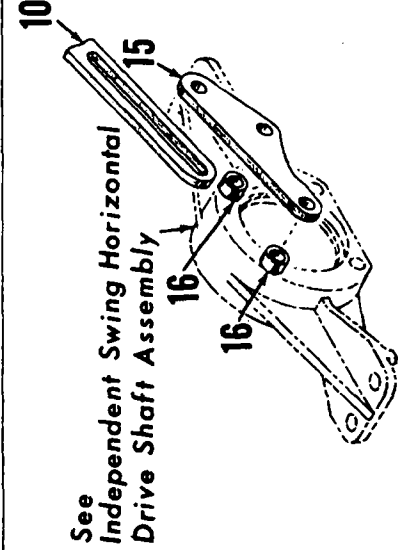
A Division of The Manitowoc Company, Inc.

Manitowoc, Wisconsin



See "A" Frame

See Swing Shaft



See Independent Swing Horizontal Drive Shaft Assembly

For Independent Swing

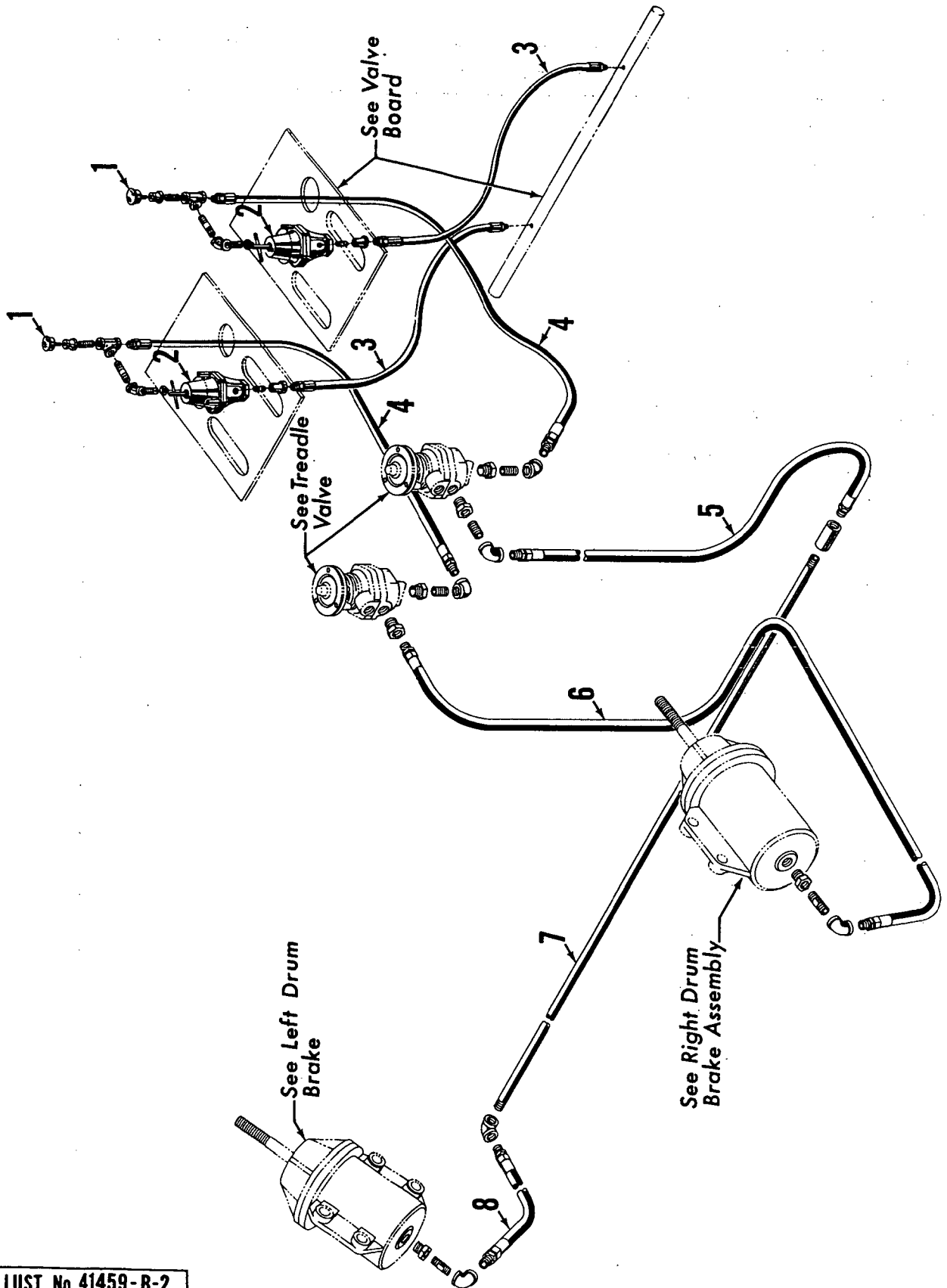
ILLUST. No. 42062-B-1

MATERIAL LIST ON BACK

SWING CLUTCH CONTROL

PARTS MANUAL ALPHABETICAL INDEX
Group C - Air Components & Electrical

DESCRIPTION	PUBLICATION	REV	START DATE	END DATE	GROUP
Air Piping	41459	C1	08/26/52	03/07/57	C0301
Air Piping	41459	A2	08/26/52	03/09/67	C0301
Air Piping	41459	B2	08/26/52	03/07/57	C0301
Air Piping	41459	A3	08/26/52	03/07/57	C0301
Compressor & Piping	41994	C1	01/30/56	06/05/75	C0101
Compressor & Piping	41994	C2	01/30/50	06/05/75	C0101
Compressor & Piping	42013	B1	03/01/56	06/13/75	C0101
Compressor & Piping	42013	C3	03/01/56	06/13/75	C0101
Control Console	41415	E1	12/07/53	10/20/64	C0201



ILLUST. No. 41459-B-2.

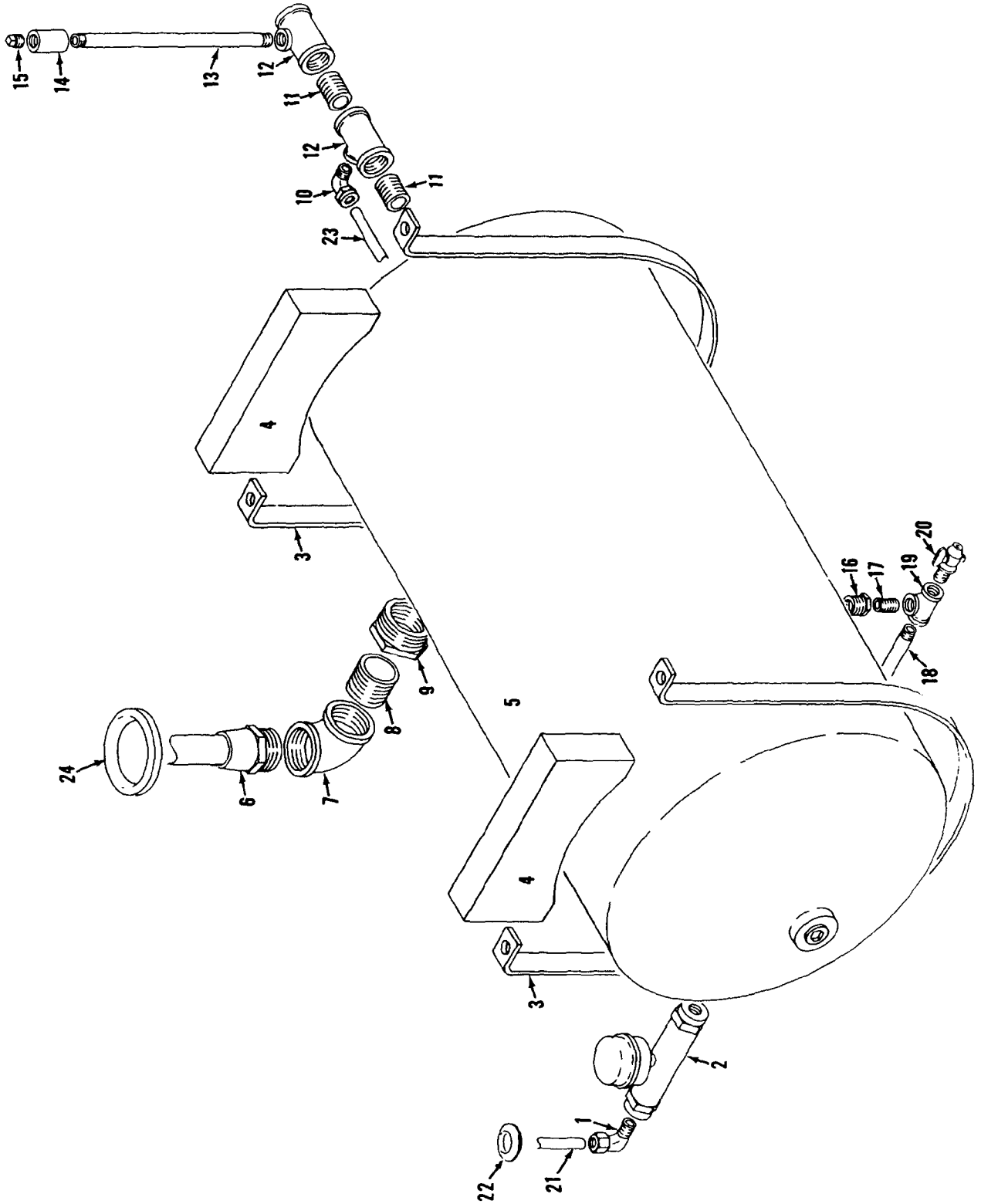
MATERIAL LIST ON BACK

AIR PIPING FOR DRUM BRAKES

MANITOWOC ENGINEERING CO.

A Division of The Manitowoc Company, Inc.

Manitowoc, Wisconsin



4201383

MATERIAL LIST ON BACK

AIR TANK

48013 B3

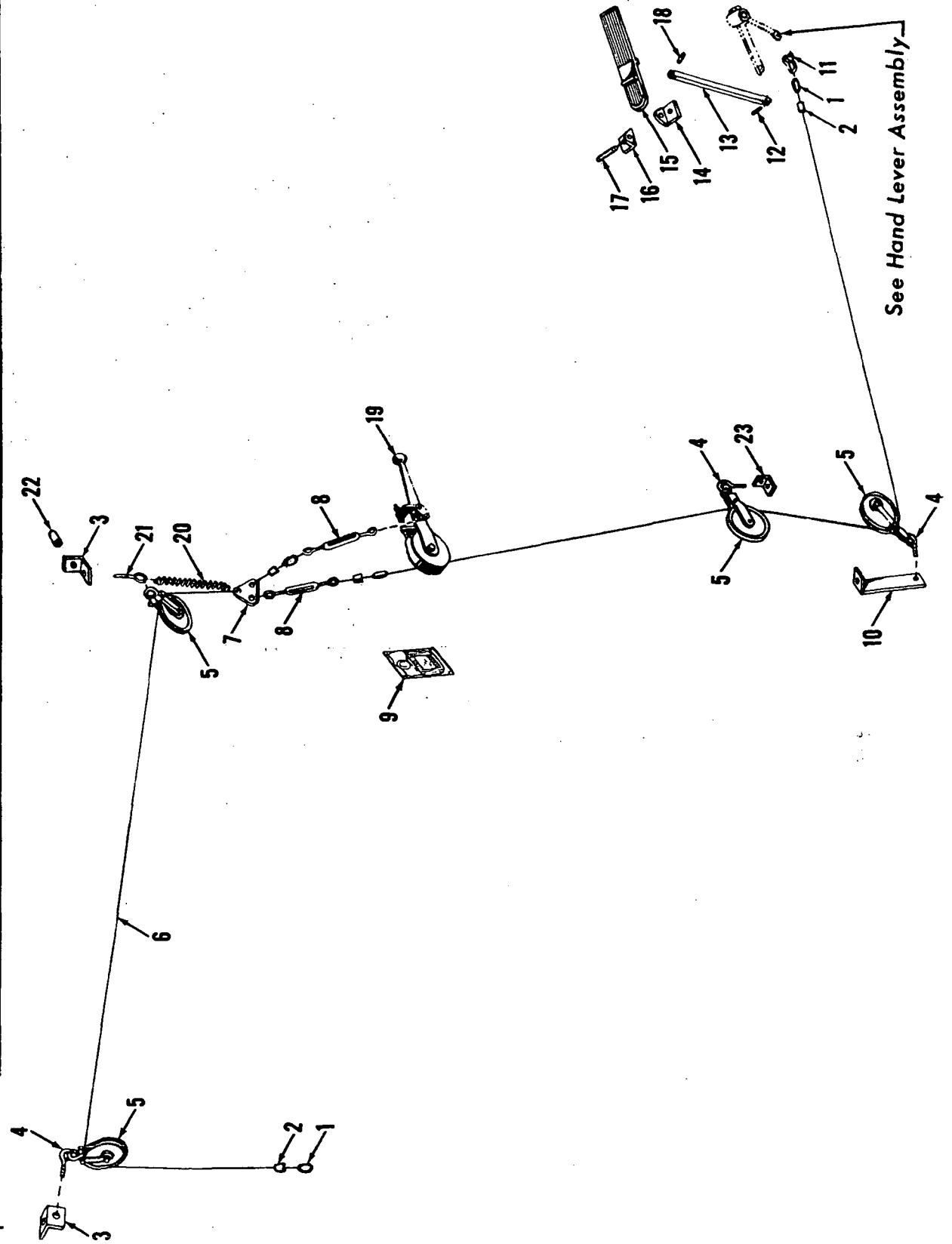
MANITOWOC ENGINEERING CO.

A Division of The Manitowoc Company, Inc.

Manitowoc, Wisconsin

MANILA

30268-B-1



30268-B-1

MATERIAL LIST ON BACK

GOVERNOR CONTROL ASSEMBLY

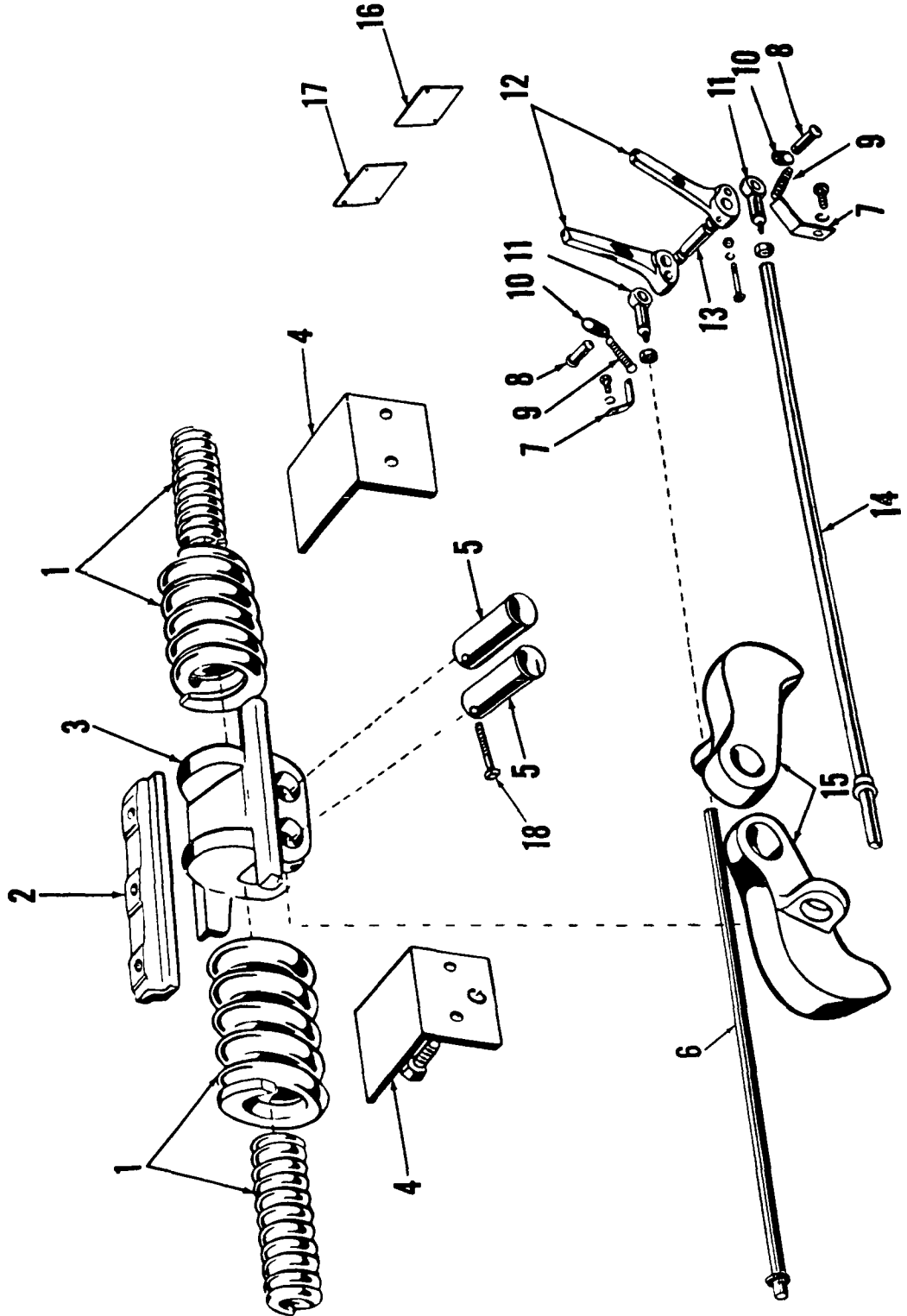
GROUP E - Lower Structure & Control

MASTER

MANITOWOC ENGINEERING CO

A Division of The Manitowoc Company Inc

Manitowoc, Wisconsin

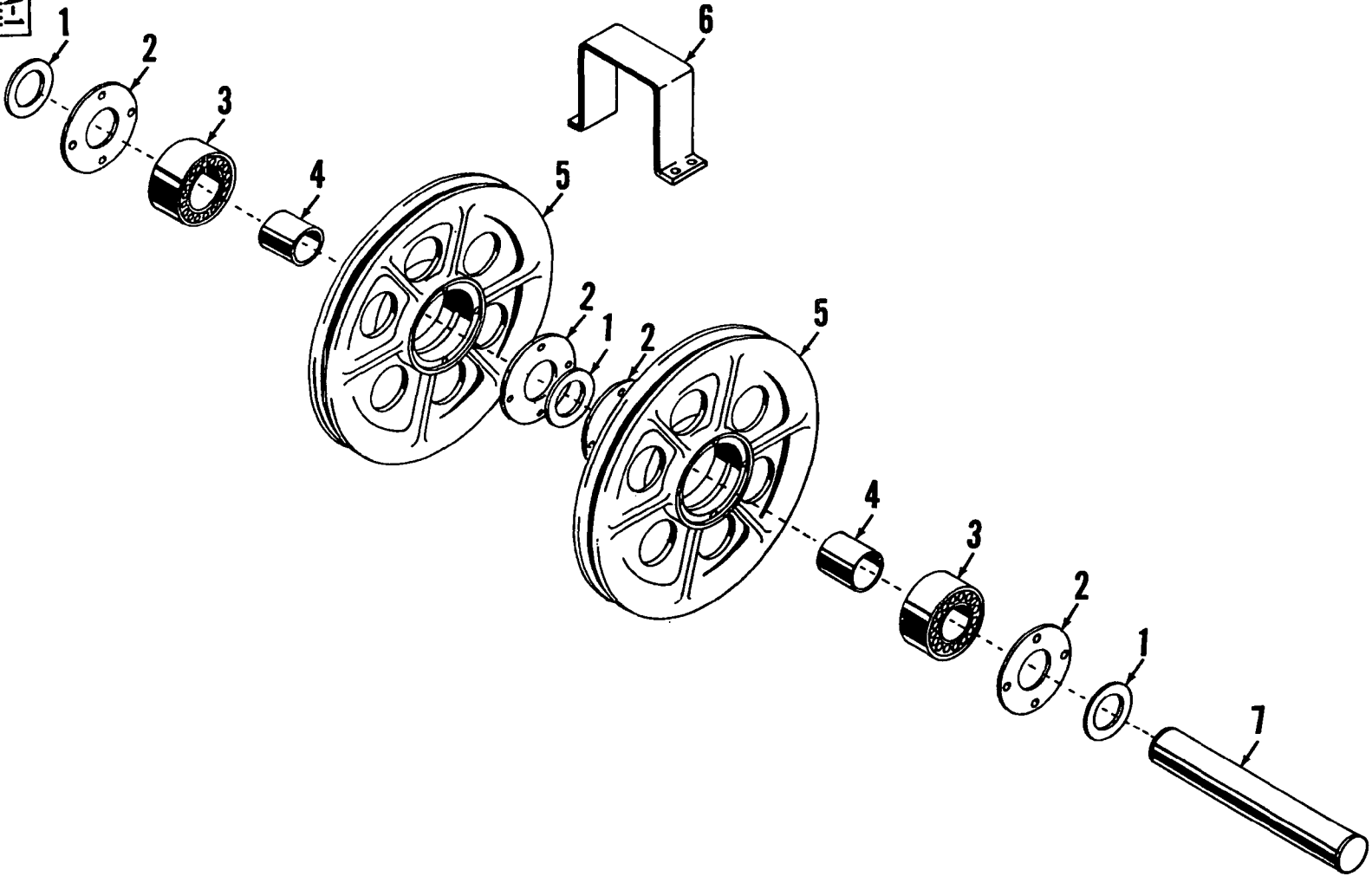


ILLUST No 31186-A-1

MATERIAL LIST ON BACK

TRAVEL LOCK—MANUAL CONTROL

ILLUST. No. 24093-A-1



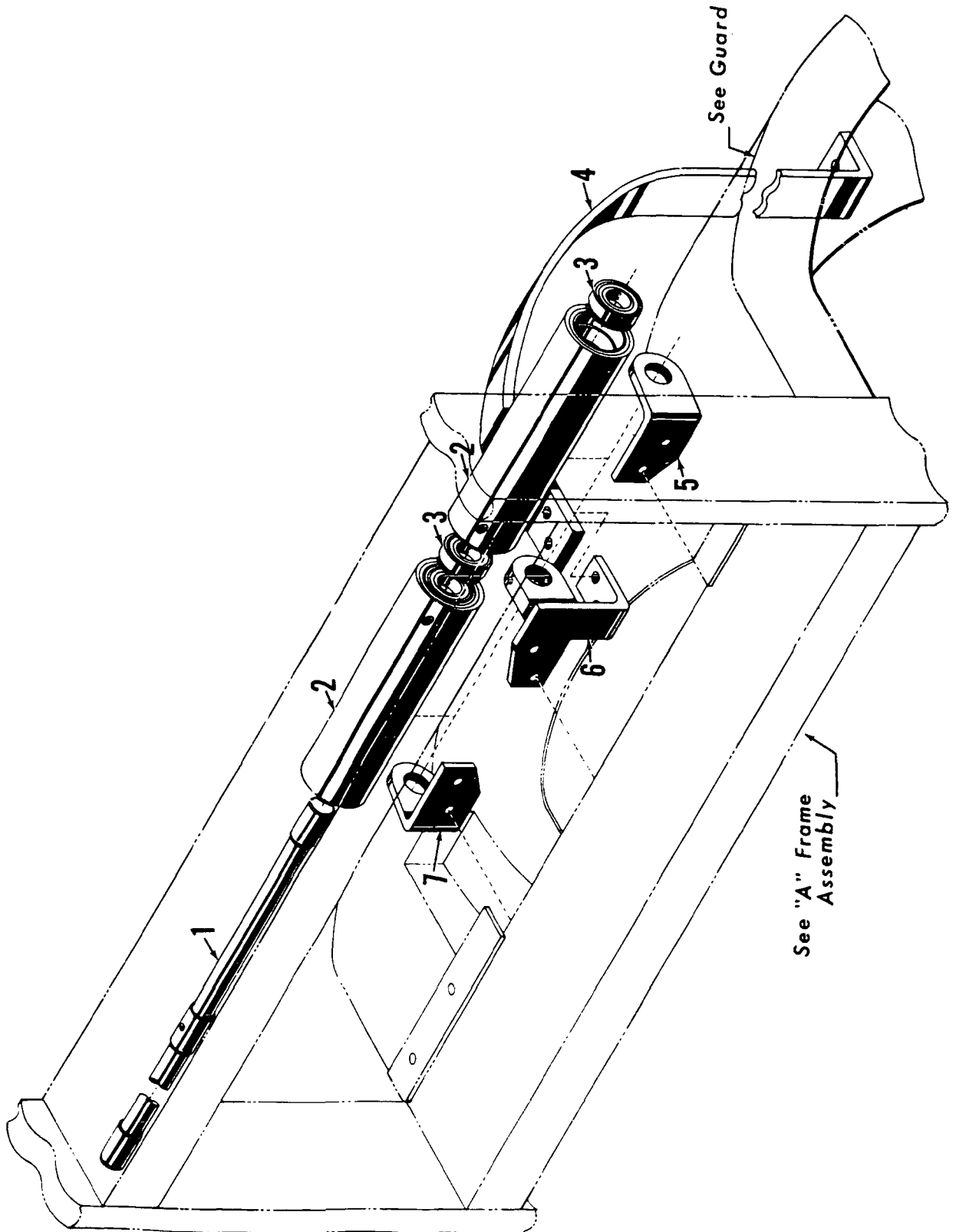
MATERIAL LIST ON BACK

UPPER BOOM POINT SHAFT

MANITOWOC ENGINEERING CO.

A Division of The Manitowoc Company, Inc.

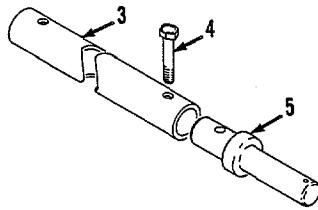
Manitowoc, Wisconsin



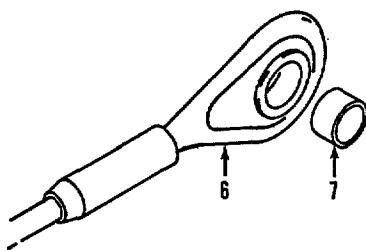
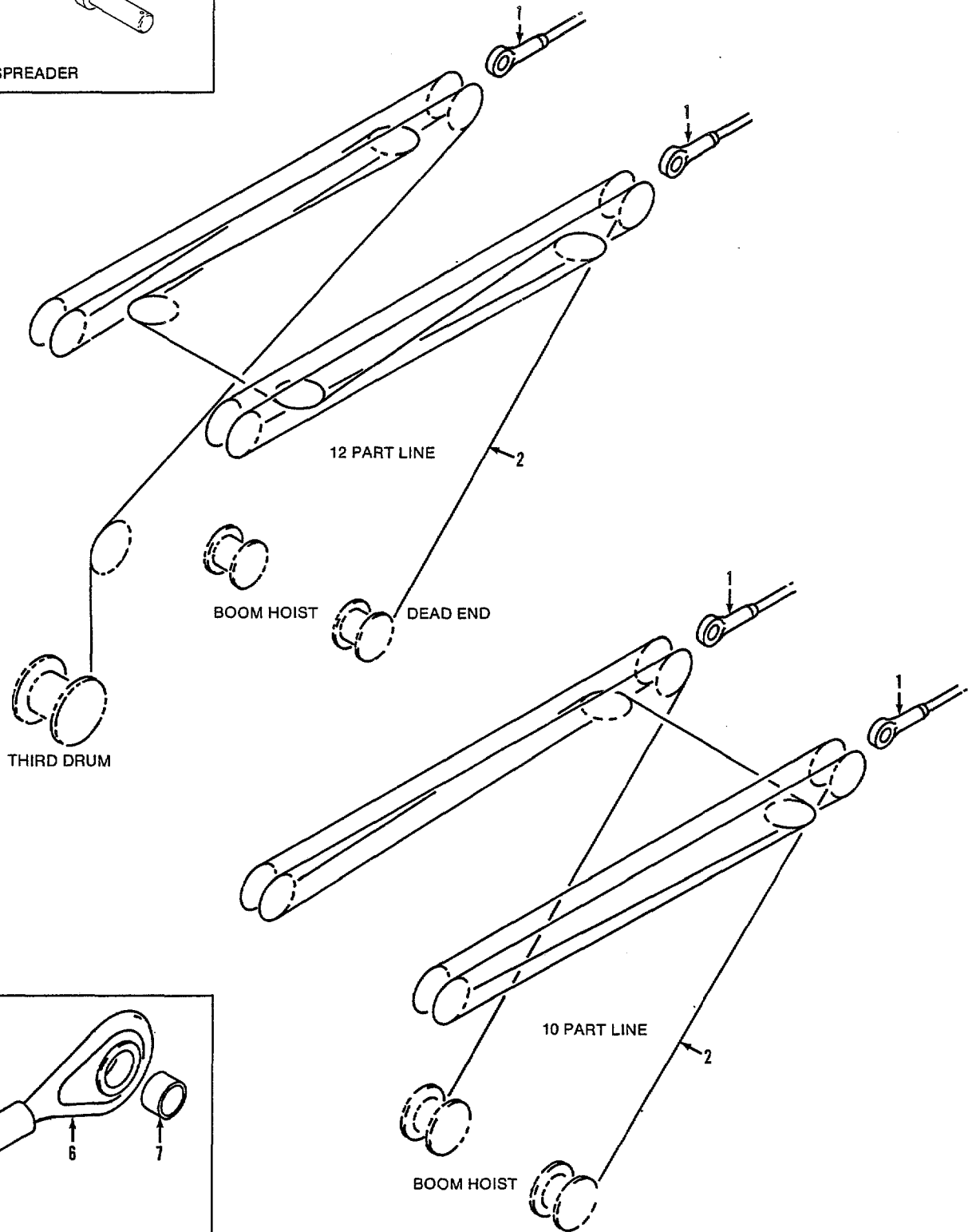
ILLUST. No. 31877-A-1

MATERIAL LIST ON BACK

ROPE GUARD ROLLER



SPREADER

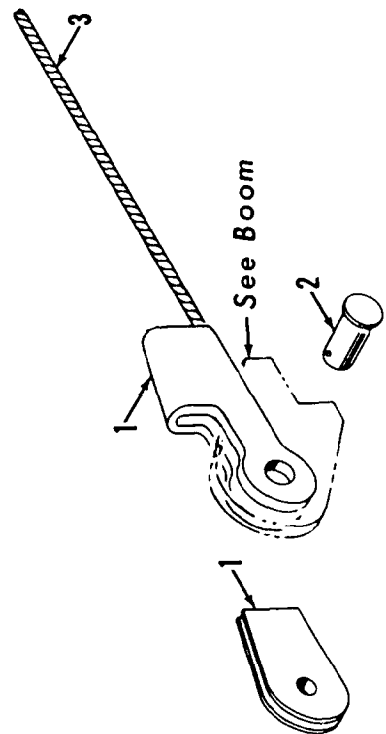
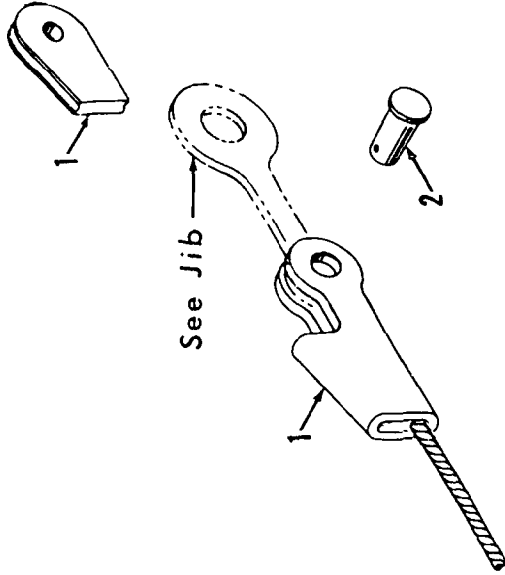


UPPER END OF PENDANT

MATERIAL LIST ON BACK

BOOM HOIST REEVING DIAGRAM

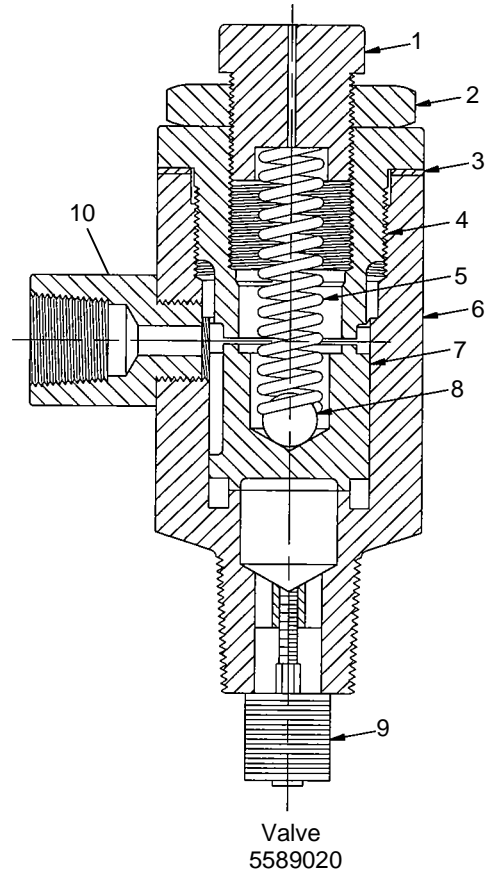
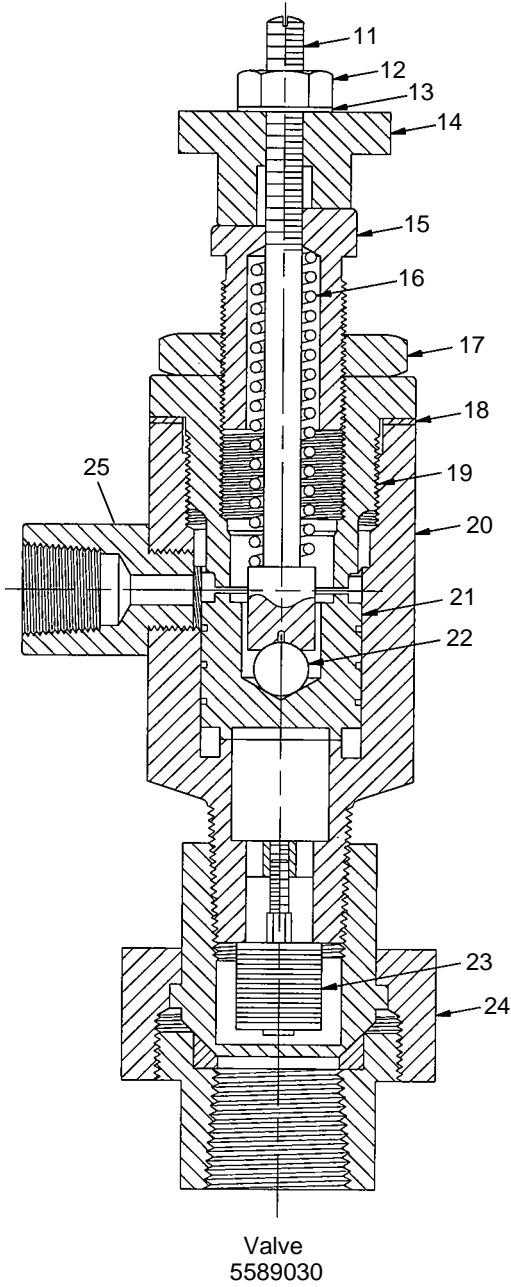
43203A2



24162-A-1

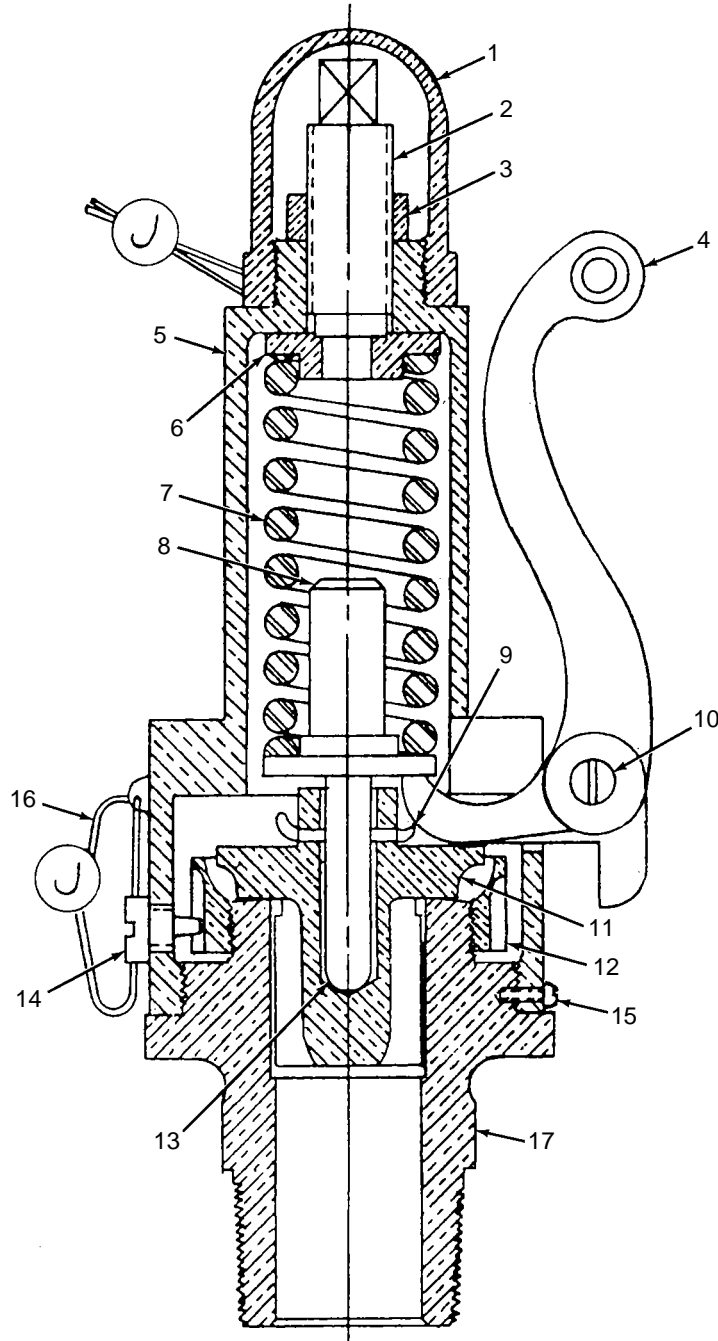
MATERIAL LIST ON BACK

JIB BACK STAY



ASSEMBLY	REVISION
O-72	B

VALVE, UNLOADER PILOT



ASSEMBLY	REVISION
O-156	D

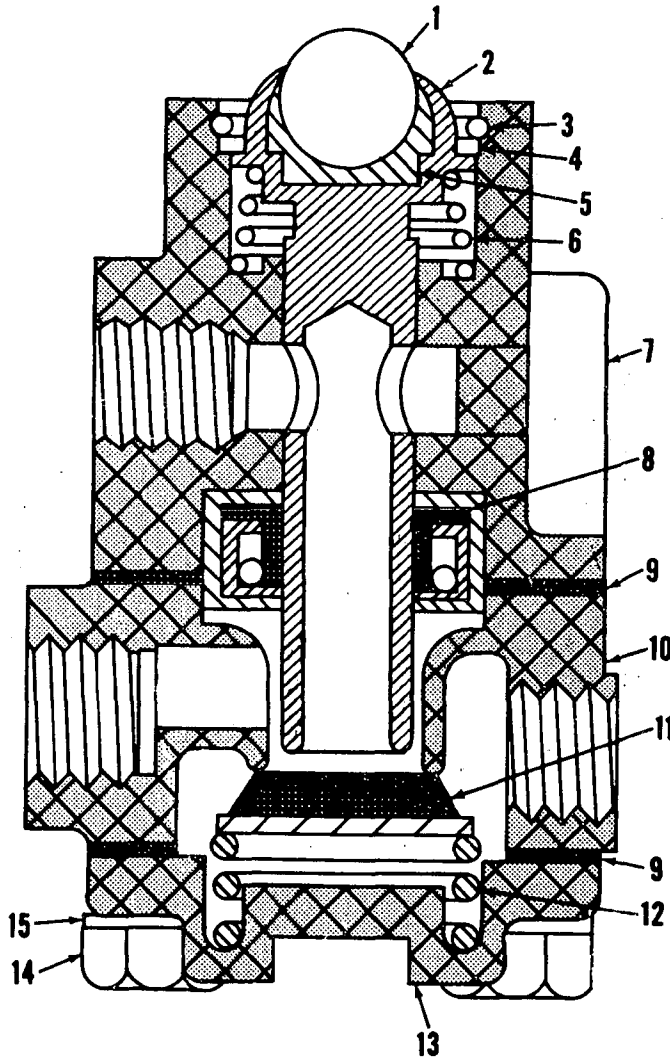
SAFETY VALVE

MANITOWOC ENGINEERING CO.

A Division of The Manitowoc Company, Inc.

Manitowoc, Wisconsin

MASTER



0 250 A 1

O-250A 1

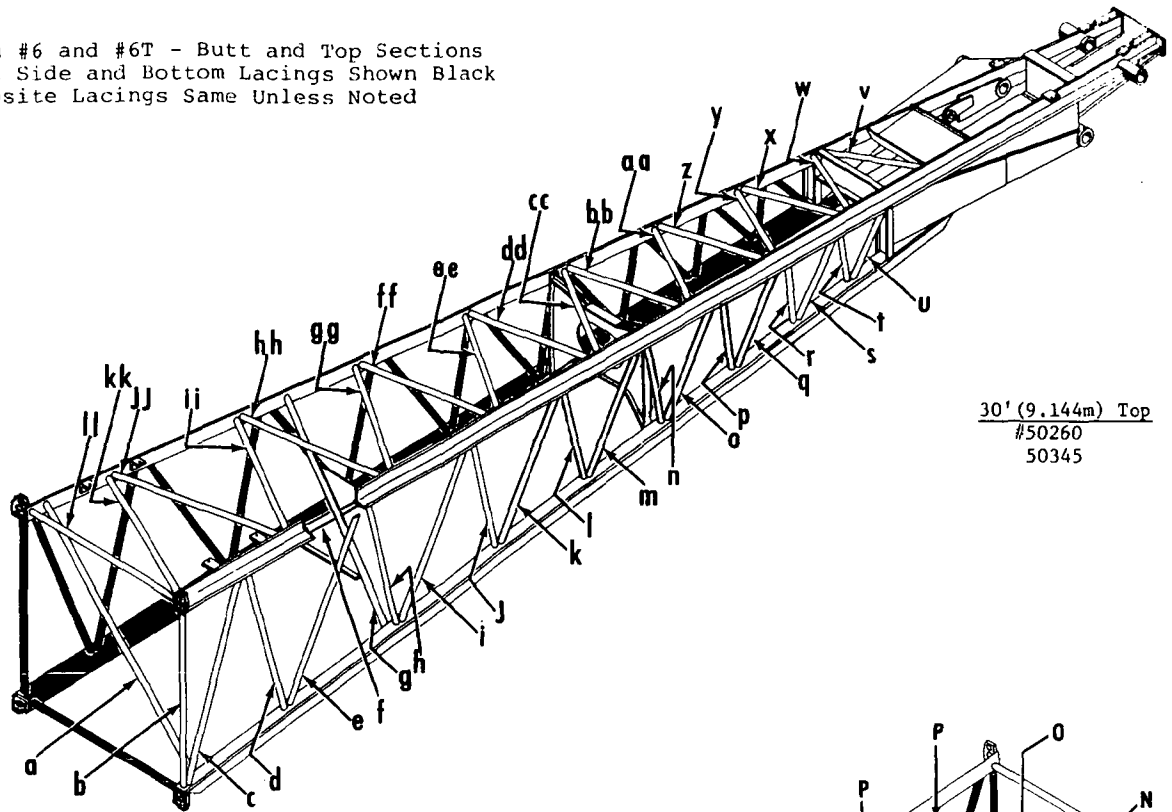
MATERIAL LIST ON BACK

MANITOWOC ENGINEERING CO.

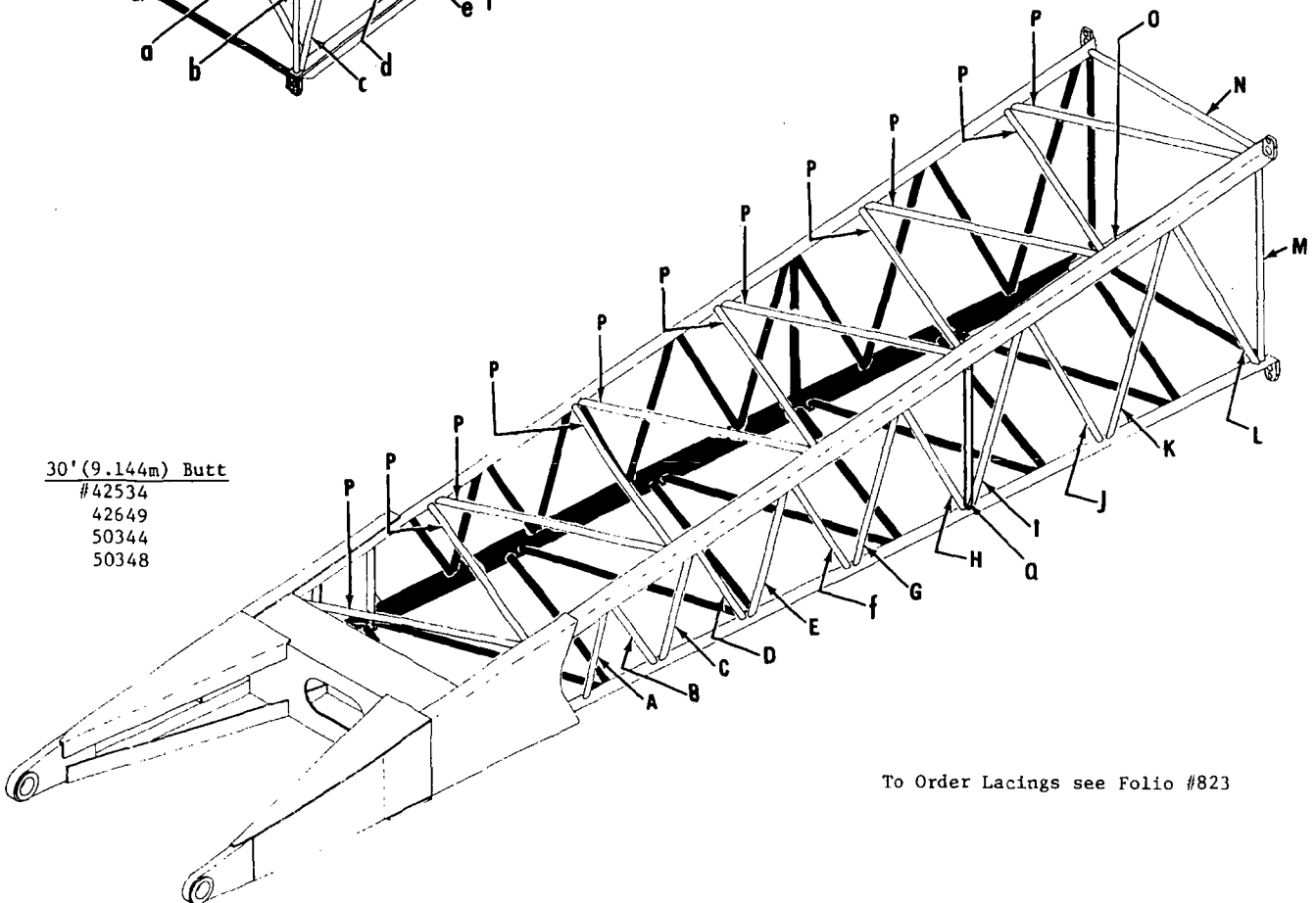
A Division of The Manitowoc Company, Inc.

Manitowoc, Wisconsin

Boom #6 and #6T - Butt and Top Sections
 Left Side and Bottom Lacings Shown Black
 Opposite Lacings Same Unless Noted



30' (9.144m) Top
 #50260
 50345



30' (9.144m) Butt
 #42534
 42649
 50344
 50348

To Order Lacings see Folio #823

MASTER

CLICK HERE TO **DOWNLOAD** THE COMPLETE MANUAL

- Thank you very much for reading the preview of the manual.
- You can download the complete manual from: www.heydownloads.com by clicking the link below



- Please note: If there is no response to CLICKING the link, please download this PDF first and then click on it.

CLICK HERE TO **DOWNLOAD** THE COMPLETE MANUAL