

# Manitowoc Cranes MACHINE COMPONENT INDEX

Date: May 03, 2022

Rev: 001

<u>Model Number</u> MLC650VPC-MAX		<u>Serial Number</u> 6503039	
Item	Part	Description	Page
		<b>ROTATING STRUCTURE</b>	
1	81031411	BEAM ASSY VPC-MAX	3
	81022476	HYD LINES INSTL VPC-MAX BEAM	7
	81020685	GUIDE VPC-MAX BEAM	11
	81022484	HYD LINES INSTL CHAIN W/HOSES	13
	81021340	CHAIN ENERGY HOSE BUNDLED VPC	15
	81037523	SLIDE VPC HOSE CHAIN ASSY	17
	81022347	LINK CONNECTING VPC ACTUATOR	19
	81042207	PIN HOSE STOWAGE	21
	810279320	VALVE MANIFOLD	23
	81031787	WEAR PAD ASSY VPC MAX	25
	810327231	ESI BEAM ASSY	29
	80129368	LIMIT SWITCH MOLDED 3P SUBASSY	31
	80124066	LIGHT ASSY VPC WARNING	33
	84024219	BRACKET LIMIT SWITCH ASSY	35
	81039277	PINPULLER ASSY	37
	81041447	CATWALK ASSY VPC-MAX BEAM	41
1	81028324	COUNTERWEIGHT WELDMENT	NO DWG
1	80111610	DECAL KIT-MLC650 VPC-MAX STD	45
	81017794	DECAL-PERSONNEL TIE DOWN POINT	NO DWG
	810121832	DECAL WARNING FALL PROTECTION	NO DWG
	80102744	PLATE CRANE ID MFG IN SG	NO DWG
	810421464	DECAL WHITE W/BLACK SHADOW VPC	NO DWG
	A134940	DECAL WARNING CRUSH HAZARD	NO DWG
	81017794	DECAL-PERSONNEL TIE DOWN POINT	NO DWG
	810121832	DECAL WARNING FALL PROTECTION	NO DWG
	81043266	DECALS MLC650 INSERT SHIPMENT	47
	81041859	DECAL INSERT LIFTING	NO DWG
	81043273	DECALS MLC650 VPC-MAX SHIP	49
2	81021640	TROLLEY ACTUATOR VPC-MAX	53
	810152201	ROLLER ASSY	57
	810298111	SHAFT ASSY	59
	810314041	HYD LINES INSTL VPC-MAX ACTUAT	65
	7041450	VALVE, HOT OIL SHUTTLE WITH RE	71

CLICK HERE TO **DOWNLOAD** THE COMPLETE MANUAL

- Thank you very much for reading the preview of the manual.
- You can download the complete manual from: [www.heydownloads.com](http://www.heydownloads.com) by clicking the link below



- Please note: If there is no response to CLICKING the link, please download this PDF first and then click on it.

CLICK HERE TO **DOWNLOAD** THE COMPLETE MANUAL

# Manitowoc Cranes

<u>Description</u> <b>HYD LINES INSTL VPC-MAX BEAM</b>				<b>Assembly No.</b> <b>81022476</b> Revision: <b>P</b>
Item	FN	Part	Qty	Description
1		3455130	2	CLAMP, TUBE
2		4316370	6	FLANGE ASSY SPLIT CODE 62
3		4316410	1	FLANGE ASSY SPLIT CODE 61
4		5966930	2	O RING
5		810052050	1	Q DISCON FITTING
6		810052070	1	Q DISCON FITTING
7		810160840	2	FLANGE SPLIT CODE 62
8	+	81020685	1	GUIDE VPC-MAX BEAM
9		810216660	2	Q DISCON FITTING
11		810270380	5	CLAMP
12		810270410	7	CLAMP
13		810270420	3	CLAMP 1.75 DIA DIN3015
14		810270640	6	PLATE
15		810270650	10	PLATE
16	+	810279320	2	VALVE MANIFOLD
17		81038718	1	BRACKET 6.0 X 230.1 X 220.0
18		81038776	1	BRACKET 6.0 X 251.6 X 250.0
25		7126191053	10	HHCS 10 X 16 8.8
26		7126192053	4	HHCS M10x65 -8.8 ISO 4017
27		7126212653	20	HHCS M12x100 -8.8 ISO 4017
28		7127211653	4	HHCS FULL THREAD
29		7127211850	4	CAP SCREW,M12X55-10.9 HEX HEAD
30		7447160813	1	REDUCER
31		7447161632	1	TUBE
32		7447161635	1	TEE, BRANCH
33		7447201213	1	REDUCER
36		7555621861	1	HOSE ASSY 1.00 ID X 218 LG
41		4297210	2	FITTING, PLUG
42		810272080	5	CLAMP
43		810276040	5	COVER PLATE
51		81039428	1	HOSE ASSY VPC-MAX BEAM RETURN
56		7126171653	5	HHCS M8x45 -8.8 ISO 4017
59		7447060803	2	ELBOW, 90 DEGREE MALE INCLUDES THE FOLLOWING PARTS
		7755012002	1	O-RING
		7755908002	1	O-RING
60		7447080833	2	ELBOW, 90 DEGREE MALE INCLUDES THE FOLLOWING PARTS
		7755014002	1	O-RING
		7755908002	1	O-RING
61		7447081001	5	ADAPTER, STRAIGHT MALE

+ SEE FURTHER BREAKDOWN THIS GROUP

# Manitowoc Cranes

Description

**SLIDE VPC HOSE CHAIN ASSY**

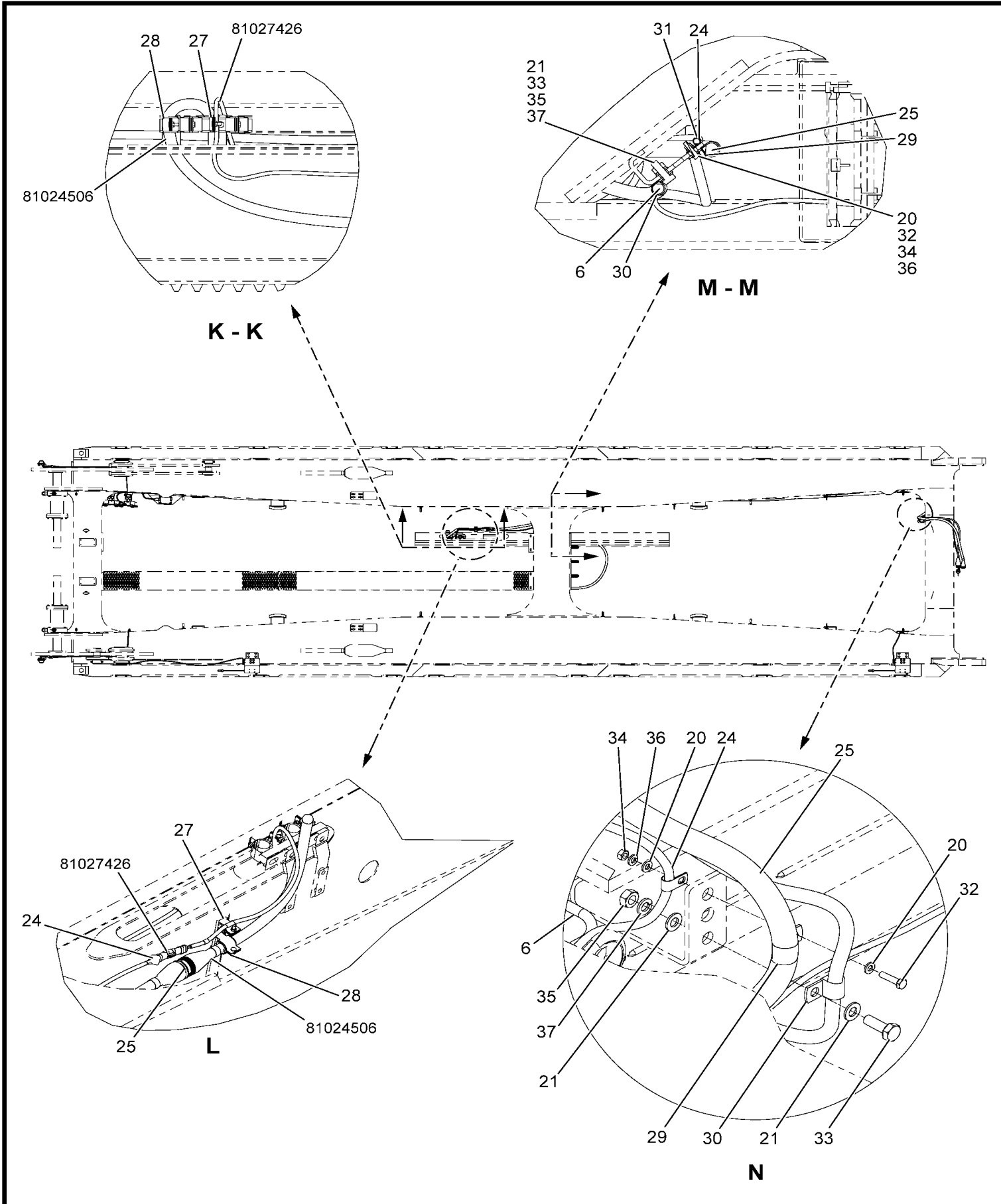
Assembly No.

**81037523**

Revision: **A**

Item	FN	Part	Qty	Description
2		810222122	2	GUIDE
3		810222682	2	GUIDE
4		810256082	2	GUIDE
5		810279972	2	PLATE MOUNTING
6		810281900	8	SBCS M12 X 1.75 X 50 18-8 SS
7		810282070	12	SBCS
8		7661190803	12	HEX LOCK NUT M10 -8 ISO 7040
9		7661210103	16	HEX JAM NUT M12 04 ISO 4035
10		7951190014	4	F WASHER 10

# Manitowoc Cranes



810327231

(SHEET 2 OF 2)

Page 27

# Manitowoc Cranes

Description  
**PINPULLER ASSY**

**Assembly No.**  
**81039277**  
Revision: D

Item	FN	Part	Qty	Description
1		<b>5638750</b>	4	HITCH PIN
2		<b>81039263</b>	4	CYL BARREL PIN PULLER
3		<b>81039281</b>	4	PIN 99.7 DIA X 300.0 LONG
4		<b>7127211753</b>	20	HHCS FULL THREAD
5		<b>7127242650</b>	16	HHCS M16X100 10.9 FLZ4014
6		<b>7951210014</b>	24	F WASHER 12 -ST ISO 7089
7		<b>7951240014</b>	16	FLATWASHER 16MM I.D.
8		<b>81038880</b>	4	CYLINDER HYDR 3.00 BORE X 10.4
9		<b>7127211953</b>	4	SCR CAP HEX HD M12-1.75
10		<b>81042126</b>	1	BRACKET VPC BEAM HOSE LH
11		<b>81042128</b>	1	BRACKET VPC BEAM HOSE RH

# Manitowoc Cranes

Description

**DECALS MLC650 INSERT SHIPMENT**

Assembly No.

**81043266**

Revision: **A**

Item	FN	Part	Qty	Description
1		<b>81041859</b>	4	DECAL INSERT LIFTING
5		<b>81007343</b>	2	DECAL-CENTER OF BALANCE
10		<b>81007307</b>	2	DECAL-CAUTION-BM SECT SHIPMENT
20		<b>81007342</b>	4	DECAL-TIE DOWN POINT

# Manitowoc Cranes

Description  
**ROLLER ASSY**

**Assembly No.**  
**810152201**  
 Revision: D

Item	FN	Part	Qty	Description
1		<b>4290100</b>	1	FITTING LUBE, NPT .25
2		<b>6224720</b>	2	SEAL OIL 7 X 8 X .44
3		<b>810152212</b>	1	ROLLER MACHINED
4		<b>810152932</b>	1	SHAFT ROLLER
5		<b>810152952</b>	1	RETAINER SEAL
6		<b>810152962</b>	1	RETAINER BEARING
7		<b>810152982</b>	1	RETAINER M110 X 2.0 THREAD
8		<b>810197770</b>	1	BEARING TAPER ROLLER
9		<b>7127150753</b>	24	HHCS FULL THREAD 6 X 10 10.9
10		<b>7127191653</b>	24	SCR CAP HEX HD M10-1.5 X 45 10
11		<b>7787171614</b>	8	SCREW SET M8 X 1.25 DOG PT

# Manitowoc Cranes

<u>Description</u> HYD LINES INSTL VPC-MAX ACTUAT				Assembly No. 810314041 Revision: W
Item	FN	Part	Qty	Description
78		7447161601	1	ADAPTER, STRAIGHT INCLUDES THE FOLLOWING PARTS
		7755021002	1	O-RING
		7755916002	1	O-RING
79		7447162001	1	ADAPTER, STRAIGHT INCLUDES THE FOLLOWING PARTS
		7755021002	1	O-RING
		7755920002	1	O-RING
80		7447162003	1	ELBOW, 90 DEGREE INCLUDES THE FOLLOWING PARTS
		7755021002	1	O-RING
		7755920002	1	O-RING
81		7447202001	3	ADAPTER, STRAIGHT MALE INCLUDES THE FOLLOWING PARTS
		7755025002	1	O-RING
		7755920002	1	O-RING
83		7661190804	16	HEX LOCK NUT M10
84		7661210803	4	HEX LOCK NUT
85		7555201800	1	HOSE ASSY 0.375 ID X 18 LG
86		7555201903	1	3/8" I.D. HYDR HOSE ASSY STR-9
87		7555202201	1	HOSE ASSY, 3/8" I.D. X 22" LONG
88		7555202800	1	HOSE ASSY, 3/8" I.D. X 28" LONG
89		7555203001	1	HOSE ASSY, 3/8" I.D. X 30" LONG
90		7555203201	1	HOSE ASSY, 3/8" I.D. X 32" LONG
91		7555203701	1	HOSE ASY, 11/16-16X3/8 I.D.X03
92		7555203900	1	HOSE ASSY CODED
93		7555204503	1	3/8" I.D. HYDR HOSE ASSY STR-9
94		7555204700	1	HOSE ASY, 11/16-16X3/8 I.D.X04
97		A038840	4	FLANGE
98		A175700	6	FLANGE ASSY SPLIT CODE 62
100		81041688	1	HOSE ASSY 1.00 ID X 70 LG
101		81038046	1	HOSE ASSY 1.00 ID X 67" LG
102		84032271	1	HOSE ASSY VPC-MAX ACTUATOR
103		84032272	1	HOSE ASSY 1.00 ID X 67 LG
104		7555506210	1	HOSE ASSEMBLY 3/4" BORE
105		7555506610	1	HOSE ASSY .75 ID X 66 LG
106		7447060608	3	ELBOW, 45 DEGREE MALE INCLUDES THE FOLLOWING PARTS
		7755012002	1	O-RING
		7755906002	1	O-RING
107		81037651	3	FITTING PLUG
108		81037824	1	FITTING PLUG
114		7447060468	2	FITTING, 90 ORFS
115		810100560	3	FITTING ADAPTER SPECIAL

# Manitowoc Cranes

Description

**FRAME ASSY AUX MEMBER**

**Assembly No.**

**81031225**

Revision: **D**

Item	FN	Part	Qty	Description
1		<b>1949352</b>	2	PIN 4.50 X 16.00
2		<b>5620900</b>	2	PIN COTTER
3		<b>810315260</b>	4	PIN QUICK RELEASE LYNCH .19 DI
4		<b>81039492</b>	1	FRAME MACHINING AUXILIARY MEMB
5		<b>81039502</b>	2	RETAINING RING 50.0 MM SHAFT
6		<b>81039510</b>	1	BEAM MACHINING PAD-MLC650
7		<b>81039515</b>	2	PIN 49.8 X 340.0 LG
8		<b>81042259</b>	2	PIN 19.1 DIA X 323.0 LG
9		<b>81031116</b>	1	LADDER 371 X 1780
10		<b>7126191450</b>	4	HHCS M10X35 - 8.8 ISO 4014
11		<b>7661190803</b>	4	HEX LOCK NUT M10 -8 ISO 7040
12		<b>7951190014</b>	8	F WASHER 10
13		<b>5621050</b>	8	PIN COTTER
14		<b>810156450</b>	4	PIN 2 HOLE

# Manitowoc Cranes

Description  
**GUIDE ASSY - LOWER**

**Assembly No.**  
**84022544**  
Revision: **C**

Item	FN	Part	Qty	Description
1		80129223	2	SHEAVE ASSY 762.0 32MM
2		84041053	1	GUIDE MACH - LOWER
3		810297312	1	PLATE KEEPER
4		810310602	1	SHAFT 129.95 X 292.0 LG
5		7127271453	2	HHCS FULL THREAD

CLICK HERE TO **DOWNLOAD** THE COMPLETE MANUAL

- Thank you very much for reading the preview of the manual.
- You can download the complete manual from: [www.heydownloads.com](http://www.heydownloads.com) by clicking the link below



- Please note: If there is no response to CLICKING the link, please download this PDF first and then click on it.

CLICK HERE TO **DOWNLOAD** THE COMPLETE MANUAL

# Manitowoc Cranes

Description  
**GUARD**

**Assembly No.**  
**810342520**  
Revision: **C**

Item	FN	Part	Qty	Description
1		810356180	3	SPACER .75ODX.38IDX2.5LG
2		810113060	3	WASHER, RETAINING
3		810342540	1	GUARD DRUM, PLASTIC
4		7126192550	3	CAP SCREW, M10 X 90MM HEX HEAD
5		7951190014	3	F WASHER 10

# Manitowoc Cranes

Description  
**ESI MAST BUTT**

**Assembly No.**  
**84034759**  
Revision: D

Item	FN	Part	Qty	Description
2		<b>810161360</b>	2	SWITCH, LEVER ARM FIXED
3		<b>84034755</b>	1	WIRING HARNESS WMB1
4		<b>7951210014</b>	2	F WASHER 12 -ST ISO 7089
5	+	<b>80129368</b>	1	LIMIT SWITCH MOLDED 3P SUBASSY
6		<b>810360952</b>	1	BRACKET
7		<b>7126151153</b>	2	HHCS M6X20 SS ISO 4017
8		<b>7126131654</b>	8	SHCS M5x45 -8.8 ISO 4762
9		<b>7661130804</b>	4	HEX LOCK NUT PA
10		<b>7661150003</b>	2	NUT, HEX
11		<b>7951130016</b>	4	F WASHER 5 A2 ISO 7089
12		<b>7951150014</b>	2	F WASHER
13	+	<b>80129368</b>	1	LIMIT SWITCH MOLDED 3P SUBASSY
14		<b>7126211353</b>	2	HHCS
15		<b>7661210003</b>	2	NUT, HEX 12MM N.C.
16		<b>84035939</b>	1	PLATE LIMIT SWITCH

+ SEE FURTHER BREAKDOWN THIS GROUP

# Manitowoc Cranes

Description

**CYL HYD FIXED MAST STOP**

**Assembly No.**

**84041641**

**Revision: A**

Item	FN	Part	Qty	Description
1		1746452	1	PIN
2		5620890	4	PIN COTTER
3		5621090	4	PIN COTTER
4		5621320	1	PIN COTTER
5		5638160	1	PIN COTTER
6		810010242	2	PIN 2 HOLE
7		810352742	1	YOKE WELDMENT FIXED MAST STOP
8		81036689	1	BRACKET STRAP
9		81037001	1	WEAR PAD 25.0 MM POLY
10		81037002	1	WEAR PAD 76 MM POLY
11		81037003	1	ROLLER 51.0 101.6 145.0 NYLON
12		81037004	1	ROLLER 26.0 76.2 157.0 NYLON
13		81037005	1	PIN 1 HOLE W/HD 25.0 DIA X 180
14		81037006	1	PIN 1 HOLE W/HD 50.0 DIA X 172
15		81037007	1	BRACKET STRAP
16		81037009	1	BRACKET STRAP
17		84033738	1	CYLINDER FIXED MAST STOP
18		84035940	1	BRACKET MAST STOP ELEC
19		7126171150	2	CAP SCREW, M8 X 20MM HEX HEAD
20		7126211353	4	HHCS
21		7126211553	20	HHCS M12X40 8.8 FLZN ISO 4017
22		7126212553	4	HHCS M12x90 -8.8 ISO 4017
23		7126272553	4	HHCS M20x90 -8.8 ISO 4017
24		7661210803	24	HEX LOCK NUT
25		7661270004	4	NUT
26		7951170220	2	WASHER, 8MM SPRING LOCK
27		7951210014	52	F WASHER 12 -ST ISO 7089
28		7951270014	4	F WASHER
29		7951270210	4	L WASHER 20 FLZN DIN7980
30		A071962	1	PIN COTTER
31	+	84044439	1	STRUT ASSEMBLY

+ SEE FURTHER BREAKDOWN THIS GROUP

# ***Manitowoc Cranes***

Notes

---

# Manitowoc Cranes

Description <b>INSERT ASSY #684 12M</b>				Assembly No. <b>81034593</b> Revision: <b>D</b>
Item	FN	Part	Qty	Description
1		5621050	30	PIN COTTER
2		5621720	2	PIN COTTER
4		5638170	2	PIN, HAIR COTTER
5		810003992	2	PIN 2 HOLE
6		810204762	4	LINK
7		810204772	8	PIN 1 HOLE W/HD
8		810204782	8	COLLAR
9		810247942	2	PIN 1 HOLE
10		810253140	2	TIMBER
11		810272362	4	LINK
12		810278020	4	PIN SAFETY
13		810290842	2	BRACKET
15		810325482	2	PIN 2 HOLE
16		81034597	2	STRAP
17		81034602	4	LINK
18	+	81035290	1	CATWALK ASSY #684, 12M INSERT
19		81035741	1	INSERT #684 12m BRACKET
21		81036856	2	STRAP
22		81037262	2	BRACKET
23		81037743	8	PIN 2 HOLE
24		81037744	8	LINK
25		81037820	2	PIN 1 HOLE W/HD
26		81037821	4	BRACKET
28		7126191850	16	HHCS M10x55 -8.8 ISO 4014
29		7126192650	8	CAP SCREW, M10 X 100MM HEX HEAD
31		7661190803	24	HEX LOCK NUT M10 -8 ISO 7040
32		7951190014	48	F WASHER 10
33		A126470	2	PIN SAFETY
34		A168042	8	PIN 2 HOLE
35	+	81038864	1	CATWALK
36		5638230	6	PIN SAFETY
37		84047892	2	PIN 2 HOLE 81.7 DIA X 174.9 LG

+ SEE FURTHER BREAKDOWN THIS GROUP

# Manitowoc Cranes

Description <b>MAST ASSY #684, 6M TOP</b>				Assembly No. <b>81025378</b> Revision: L
Item	FN	Part	Qty	Description
1		1748502	4	PIN 1 HOLE W/HD
2		5620450	4	PIN COTTER
3		5621050	20	PIN COTTER
4		5621720	2	PIN COTTER
6		810003992	4	PIN 2 HOLE
7		810204772	8	PIN 1 HOLE W/HD
8		810204782	8	COLLAR
9		810248262	4	BRACKET
10		81025379	1	TOP MACHINING, #684 6M
11		80128133	9	SHEAVE ASSY 609.6 28.0
12		810278020	4	PIN SAFETY
13		810278922	2	PLATE KEEPER 20.0 MM
15		81034595	2	STRAP TOP #684 MAST 50.8 X 109
16		81034600	4	LINK STRAP
18	+	81036796	1	CATWALK ASSY MAST TOP
19		81036855	2	STRAP TOP #684 MAST 50.8 X 88.
20		81037174	1	PIN 2 HOLE 50.8 DIA X 1004.5 L
21		81037175	1	SHAFT 130 DIA X 2560 LG
22		81037177	2	PLATE KEEPER 12.0 MM
23		81037178	1	SHAFT 130.0 DIA X 145.0 LG
24		81037179	1	GUARD WIRE ROPE
25		81037180	6	SPACER 165.1 OD X 131.0 ID X 7
27	+	81037384	1	LINK ASSY
28		81037820	2	PIN 1 HOLE W/HD
29		81037870	2	SPACER 165.1 X 131.0 X 50.0 LG
31		7126191850	8	HHCS M10x55 -8.8 ISO 4014
32		7126271453	4	HHCS
33		7126272053	6	HHCS FULL THREAD
35		7661190803	8	HEX LOCK NUT M10 -8 ISO 7040
36		7951190014	16	F WASHER 10
37		7951270210	10	L WASHER 20 FLZN DIN7980
38	+	A062780	1	SOCKET BUTTON
39		A168042	8	PIN 2 HOLE
40		81038884	2	SPACER 165.1 OD X 131.0 ID X 1
41		81038885	2	LUG LIFTING
43		81039341	4	PIN 2 HOLE 25.4 DIA X 120.0 LG
44		81040768	2	PEDESTAL BUTT SUPPORT
45		81040774	2	TUBE 88.9 OD X 6.35 WALL
46		A151092	2	PIN 2 HOLE

+ SEE FURTHER BREAKDOWN THIS GROUP

# Manitowoc Cranes

Description  
**LINK ASSY**

Assembly No.  
**81042471**  
Revision: **A**

Item	FN	Part	Qty	Description
1		<b>81042457</b>	1	BUSHING 145 X 130 X 50 POLY
2		<b>81042458</b>	1	LINK STRAP

# Manitowoc Cranes

Alphabetical Index	Appendix A	
Description	Part	Page
<b>GUARD WIRE ROPE 1292 MM USABLE GUIDE</b>	81037849	159
	810222122	17
	810222682	17
	810256082	17
<b>GUIDE ASSY - LOWER</b>	84022544	83
<b>GUIDE ASSY - UPPER</b>	84022529	83
<b>GUIDE HOSE</b>	84024605	124
<b>GUIDE MACH - LOWER</b>	84041053	87
<b>GUIDE MACH - UPPER LH</b>	84022528	85
<b>GUIDE MACH - UPPER RH</b>	84022526	85
<b>GUIDE SPRING</b>	1933372	101
<b>GUIDE VPC-MAX BEAM</b>	81020685	7
<b>HANDRAIL VPC-MAX BEAM</b>	84033932	41
<b>HEAT SHRINK TUBING ATUM 24/6</b>	84022975	33
<b>HEX JAM NUT</b>	5462750	101
	5467670	81
<b>HEX NUT</b>	5468230	115, 119
	84027007	139, 145
<b>HEX THIN LNUT PA</b>	5483780	101
<b>HHCS</b>	6124050	41, 105, 139, 145
	6125770	91
	6184660	65
	7126191253	29, 35, 75, 81, 103
	7126191353	29, 54, 75
	7126211353	107, 113, 117
	7126271453	147
	7118181050	53
<b>HHCS 1/2-13UNC X 1.25 GR 8</b>		
<b>HHCS 10 X 16 8.8</b>	7126191053	7, 66
<b>HHCS 12 X 20 8.8</b>	A016570	8
<b>HHCS FULL THREAD</b>	7126271353	54
	7126272053	85, 147
	7126272253	54
	7127211653	7, 11
	7127211753	37
	7127271453	85, 87, 159
	7127271753	54
	7127150753	57
<b>HHCS FULL THREAD 6 X 10 10.9</b>		
<b>HHCS M10x110 -8.8 ISO 4017</b>	7126192753	66
<b>HHCS M10X25 10.9 ISO4017</b>	7127191253	54
<b>HHCS M10X35 - 8.8 ISO 4014</b>	7126191450	77
<b>HHCS M10X55</b>	7126191853	68, 124
<b>HHCS M10x55 -8.8 ISO 4014</b>	7126191850	89, 137, 143, 147
<b>HHCS M10X60 8.8 FLZN ISO 4017</b>	7126191953	124
<b>HHCS M10x65 -8.8 ISO 4017</b>	7126192053	7, 68
<b>HHCS M10x80 -8.8 ISO 4017</b>	7126192353	8

From - GUARD WIRE ROPE 1292 MM USABLE

To - HHCS M10x80 -8.8 ISO 4017

# Manitowoc Cranes

<b>Alphabetical Index</b>	<b>Appendix A</b>	
Description	Part	Page
SPACER 31.8 X 9.5 X 45.0	81041661	41
SPACER PLATE	810254892	53
SPACER SHAFT	84035844	55
SPHER ROLLER BRG	2254700	91
SPRING	0701262	103
	6521710	101
SQ NUT	810223090	75
STRAP	6670060	33
	810204752	143
	81034597	137
	81036856	137
STRAP 12.0 M #684 MAST 50.8 X	81034598	143
STRAP 3.7 M MAST 50.8 X 108.5	81036999	89
STRAP TOP #684 MAST 50.8 X 109	81034595	147
STRAP TOP #684 MAST 50.8 X 88.	81036855	147
STRUT ASSEMBLY	84044439	113, 117
STRUT MAST STOP	84044440	115, 119
SWITCH, LEVER ARM FIXED	810161360	29, 107
SWITCH, LIMIT	810161270	31, 109, 111
TERMINAL	A006730	33
TIMBER	810253140	137, 143
TOP MACHINING, #684 6M	81025379	147
TUBE 88.9 OD X 6.35 WALL	81040774	147
TUBE ASSY 1.25OD X .187 WALL41	81041852	8
TUBE ASSY 1.25OD X .187WALL 41	81041860	8
TUBE ASSY 1.25OD X .187WALL413	81041853	8
	81041861	8
TUBE ASSY ACTUATOR PRESSURE	81041367	68
	84021845	68
TUBE ASSY BEAM RET INNER	81040514	8
TUBE ASSY BEAM RET OUTER	81040515	8
TUBE PREFORMED 1.00 OD X .187	81038949	66
TUBE PREFORMED 1.25 OD X .187	81034300	65
	81038792	65
	81038793	65
	81038910	66
	81038915	66
	81038948	66
	81038950	66
	81038951	66
TUBE PREFORMED ACTUATOR MOTOR	81038932	66
TUBE ROUND	810289612	11
VALVE 2POS3 WAY PILOT	84032589	68
VALVE CHECK	810250580	68

From - SPACER 31.8 X 9.5 X 45.0

To - VALVE CHECK

# Manitowoc Cranes

Numeric Index		Appendix B
Part	Description	Page
7661210804	HEX LOCK NUT	21, 73, 133
7661240803	NUT M16	41
7661270004	NUT	113, 117
7755011002	O-RING	68, 69
7755012002	O-RING	7, 8, 9, 66, 67, 68, 124, 135
7755014002	O-RING	7, 8, 125
7755016002	O-RING	9
7755018002	O-RING	66, 68, 125
7755021002	O-RING	67, 68
7755025002	O-RING	67
7755904002	O-RING	69
7755906002	O-RING	8, 9, 66, 67, 68, 124, 125, 135
7755908002	O-RING	7, 9, 125
7755910002	O-RING	8, 9, 124, 125
7755912002	O-RING	66, 68, 125
7755916002	O-RING	67, 125
7755920002	O-RING	67
7787151610	HSSS CUP	54
7787171614	SCREW SET M8 X 1.25 DOG PT	57
7787192513	HSSS CUP	54, 59
7950150141	F WASHER 5/16"	41, 105, 139, 141, 145, 151
7950220141	F WASHER 3/4"	105, 139, 145, 151
7951110014	WASHER, 4MM I.D.	29, 81
7951110214	WASHER	29
7951110220	WASHER, LOCK	81
7951130014	F WASHER 5 ST ISO 7089	54
7951130016	F WASHER 5 A2 ISO 7089	107
7951150014	F WASHER	29, 59, 107, 126
7951150220	L WASHER	29, 75
7951170014	F WASHER	11, 41, 54
7951170015	WASHER HARDENED M8 ZC	54
7951170210	L WASHER	41, 54
7951170220	WASHER, 8MM SPRING LOCK	117
7951190010	F WASHER 10 -HRC44-51 ISO 7089	68
7951190014	F WASHER 10	17, 29, 35, 54, 75, 77, 81, 89, 95, 97, 137, 143, 147
7951190220	L WASHER 10	29, 81, 103

From - 7661210804

To - 7951190220

CLICK HERE TO **DOWNLOAD** THE COMPLETE MANUAL

- Thank you very much for reading the preview of the manual.
- You can download the complete manual from: [www.heydownloads.com](http://www.heydownloads.com) by clicking the link below



- Please note: If there is no response to CLICKING the link, please download this PDF first and then click on it.

CLICK HERE TO **DOWNLOAD** THE COMPLETE MANUAL