

Manitowoc Cranes MACHINE COMPONENT INDEX

Date: December 12, 2018

Rev: 001

<u>Model Number</u> MLC650VPC-MAX		<u>Serial Number</u> 6503020	
Item	Part	Description	Page
		ROTATING STRUCTURE	
1	81031411	BEAM ASSY VPC-MAX	3
	81022476	HYD LINES INSTL VPC-MAX BEAM	7
	81020685	GUIDE VPC-MAX BEAM	11
	81022484	HYD LINES INSTL CHAIN W/HOSES	13
	81021340	CHAIN ENERGY HOSE BUNDLED VPC	15
	81037523	SLIDE VPC HOSE CHAIN ASSY	17
	81022347	LINK CONNECTING VPC ACTUATOR	19
	81042207	PIN HOSE STOWAGE	21
	810279320	VALVE MANIFOLD	23
	81031787	WEAR PAD ASSY VPC MAX	25
	810327231	ESI BEAM ASSY	29
	810238652	SWITCH LIMIT ASSY	31
	810289450	LIGHT ASSY VPC WARNING INDICAT	33
	84024219	BRACKET LIMIT SWITCH ASSY	35
	81039277	PINPULLER ASSY	37
	81041447	CATWALK ASSY VPC-MAX BEAM	41
1	80111610	DECAL KIT-MLC650 VPC-MAX STD	45
	81043266	DECALS MLC650 INSERT SHIPMENT	47
	81043273	DECALS MLC650 VPC-MAX SHIP	49
2	81021640	TROLLEY ACTUATOR VPC-MAX	53
	810152201	ROLLER ASSY	57
	810298111	SHAFT ASSY	59
	810314041	HYD LINES INSTL VPC-MAX ACTUAT	65
	7041450	VALVE, HOT OIL SHUTTLE WITH RE	71
	81042207	PIN HOSE STOWAGE	73
	810327221	ESI ACTUATOR ASSY	75
3	81031225	FRAME ASSY AUX MEMBER	77
10	80111856	BEAM VPC-MAX MOD	79
		CONTROLS, ELECTRICAL	
9	81033988	ESI CAMERA MAST INSTL	81
		ATTACHMENTS	
2	810312591	WIRE ROPE (BRIDON) 28MM ASSY X	NO DWG
4	84041644	MAST ASSY #684,6M BUTT	83
	81023468	HOIST BOOM	85

CLICK HERE TO **DOWNLOAD** THE COMPLETE MANUAL

- Thank you very much for reading the preview of the manual.
- You can download the complete manual from: www.heydownloads.com by clicking the link below



- Please note: If there is no response to CLICKING the link, please download this PDF first and then click on it.

CLICK HERE TO **DOWNLOAD** THE COMPLETE MANUAL

Manitowoc Cranes

<u>Description</u> HYD LINES INSTL VPC-MAX BEAM				Assembly No. 81022476 Revision: N
Item	FN	Part	Qty	Description
		7755906002	1	O-RING
102		7447060633	3	ELBOW, 90 DEGREE MALE INCLUDES THE FOLLOWING PARTS
		7755012002	1	O-RING
103		7555204602	1	HOSE ASSY
104		7555205901	1	3/8" I.D. X 59"
105		7555206100	1	3/8" I.D. X 61"
106		7555206100	1	3/8" I.D. X 61"
107		7555302201	1	1/2" I.D. X 22"
108		7951210014	7	F WASHER 12 -ST ISO 7089
109		7555202501	1	HOSE ASSY CODED, .375 ID X 25
110		7555204202	1	3/8" I.D. X 42"
111		7555204702	1	3/8" I.D. X 47"
113		7555301701	1	HOSE ASSY 13/16-16X1/2 I.D.X01
114		7555721191	1	HOSE ASSY
115		7568316055	1	HOSE ASSY
116		7568315355	1	HOSE ASSY VPC MAX BEAM PRESSUR
117		7447060801	2	ADAPTER, STRAIGHT MALE INCLUDES THE FOLLOWING PARTS
		7755012002	1	O-RING
		7755908002	1	O-RING
118		7447101001	1	ADAPTER, STRAIGHT INCLUDES THE FOLLOWING PARTS
		7755016002	1	O-RING
		7755910002	1	O-RING
119		810056490	1	CAP DUST
120		810056510	3	CAP DUST
121		81018631	1	NAMEPLATE ID TAG ROUND #031
122		81018632	1	NAMEPLATE ID TAG ROUND #032
123		81018633	1	NAMEPLATE ID TAG ROUND #033
124		81018634	1	NAMEPLATE ID TAG ROUND #034
125		7555206602	1	HOSE ASSY
126		7447060608	1	ELBOW, 45 DEGREE MALE INCLUDES THE FOLLOWING PARTS
		7755012002	1	O-RING
		7755906002	1	O-RING
127		84028687	1	BRACKET DIN CLAMP
128		7126192553	2	HHCS M10X90 -8.8 ISO 4017
129		7661190804	2	HEX LOCK NUT M10

Manitowoc Cranes

Description

LINK CONNECTING VPC ACTUATOR

Assembly No.

81022347

Revision: **A**

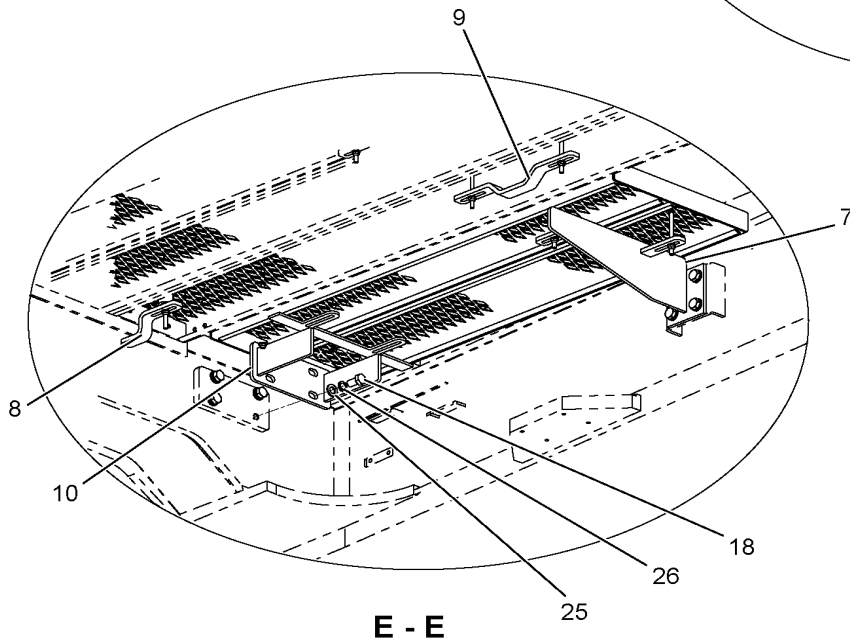
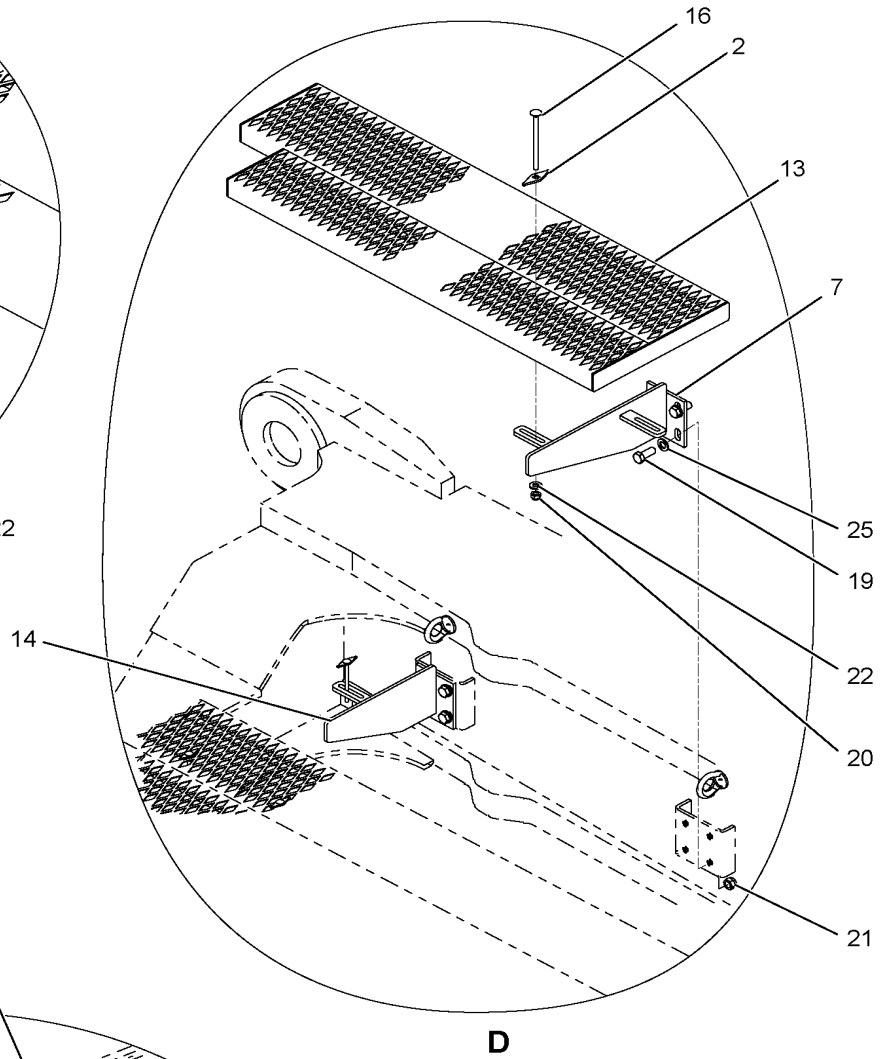
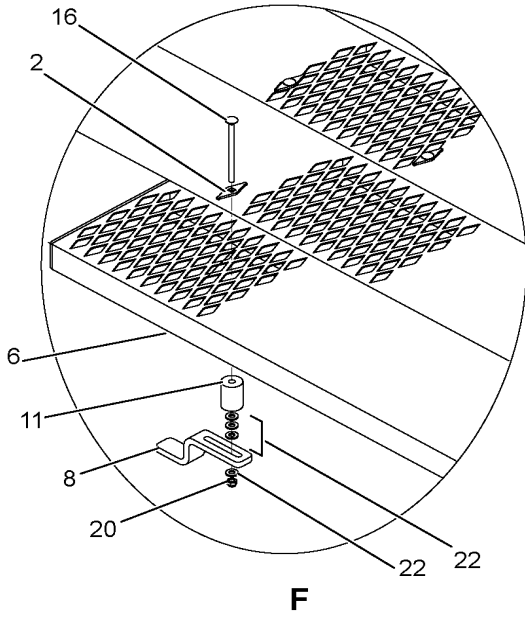
Item	FN	Part	Qty	Description
1		810223450	2	ROD END .75-16 UNF-2B X .75 BA
2		810223482	1	ROD THREADED .75-16 UNF-2A X 1
3		7660220231	2	HEX JAM NUT SAME AS 5462730

Manitowoc Cranes

<u>Description</u> ESI BEAM ASSY				Assembly No. 810327231 Revision: H
Item	FN	Part	Qty	Description
1		810161360	2	SWITCH, LEVER ARM FIXED
2	+	810238652	2	SWITCH LIMIT ASSY
3		81041739	2	PLATE MOUNTING
4		810289442	2	BRACKET
5	+	810289450	2	LIGHT ASSY VPC WARNING INDICAT
6		84043098	1	WIRING HARNESS WVB3
8		84024608	2	BRACKET LIMIT SWITCH
9		7126131754	2	SHCS M5x50 -8.8 ISO 4762
10		7126191253	24	HHCS M10X25 8.8 FLZN 4017
11		7126211253	4	HHCS M12X25 8.8 FLZN ISO 4017
12		7126131654	8	SHCS M5x45 -8.8 ISO 4762
14		766113000A	2	HEX NUT
16		7661210003	4	NUT, HEX 12MM N.C.
17		7951130016	2	F WASHER 5 A2 ISO 7089
19		7951130226	2	WASHER
20		7951150014	4	F WASHER 6 -ST ISO 7089
21		7951190014	28	F WASHER 10 200HV FLZN 7089
22		7951210014	4	F WASHER 12 -ST ISO 7089
23		7951210220	4	L WASHER 12 -HRC44-51 DIN 127
24		81036717	1	ELEC CABLE WVB5
25		81038042	1	WIRING HARNESS WVB4
26	+	84024219	2	BRACKET LIMIT SWITCH ASSY
27		3455100	2	CLAMP TUBE
28		3455110	2	CLAMP TUBE, 0.75 DIA
29		3490040	2	CLIP, TUBE COLLARD 3/4 ID
30		3490060	2	CLIP
31		810153250	2	RETAINER
32		7126151253	2	HHCS M6X25 8.8 FLZN 4017
33		7126191353	2	HHCS M10X30 8.8 FLZN ISO 4017
34		7661150003	2	NUT, HEX
35		7661190004	2	NUT
36		7951150220	2	L WASHER
37		7951190220	2	L WASHER 10

+ SEE FURTHER BREAKDOWN THIS GROUP

Manitowoc Cranes



Manitowoc Cranes

Description

DECALS MLC650 VPC-MAX SHIP

Assembly No.

81043273

Revision: **A**

Item	FN	Part	Qty	Description
50		81007342	8	DECAL-TIE DOWN POINT
51		84021352	1	DECAL SHPNG FIXED MAST
52		84021355	1	DECAL SHPNG VPC-MAX TRLY
53		84021466	1	DECAL SHPNG AUX MEMBER
54		84021464	1	DECAL SHPNG VPC-MAX BEAM

Manitowoc Cranes

Description
SHAFT ASSY

Assembly No.
810298111
Revision: **C**

Item	FN	Part	Qty	Description
1		2251700	1	LOCKWASHER
2		2252180	1	LOCKNUT
3		2254230	2	BEARING, SPHERICAL ROLLER
4		4290100	1	FITTING LUBE, NPT .25
5		5970260	1	RETAINING RING
6		6223830	1	OIL SEAL
7		6224720	2	SEAL OIL 7 X 8 X .44
8		810198930	1	SHAFT PINION
9		81019896	1	CARRIER
10		81019897	1	RETAINER
11		81019899	1	RETAINER
12		81021907	1	CARRIER
13		81024161	1	SPACER
14		7126151453	9	HHCS M6x35 -8.8 ISO 4017
15		7128191954	12	SHCS M10x60 -12.9 ISO 4762
16		7787192513	6	HSSS CUP
17		7951150014	9	F WASHER 6 -ST ISO 7089

Manitowoc Cranes

Description

HYD LINES INSTL VPC-MAX ACTUAT

Assembly No.

810314041

Revision: T

Item	FN	Part	Qty	Description
		7755011002 7755904002	1 1	INCLUDES THE FOLLOWING PARTS O-RING O-RING
150		7555101500	1	HOSE ASSY, 1/4" I.D. X 15" LONG
151		7555213503	1	3/8" I.D. HYDR HOSE ASSY STR-9

Manitowoc Cranes

Description
BEAM VPC-MAX MOD

Assembly No.
80111856
Revision: **A**

Item	FN	Part	Qty	Description
1		84028408	32	PIN FLAT VENT DOWEL
2		80114616	16	PLATE WEAR PAD RETAINER
3		1761212	1	PLATE
4		2010390	1	ADHESIVE
5		539052	1	IDENTIFICATION PLATE
6		599294	2	RIVET-BLIND-.125 DIA.

Manitowoc Cranes

Description
GUARD

Assembly No.
810342520
Revision: **C**

Item	FN	Part	Qty	Description
1		810356180	3	SPACER .75ODX.38IDX2.5LG
2		810113060	3	WASHER, RETAINING
3		810342540	1	GUARD DRUM, PLASTIC
4		7126192550	3	CAP SCREW, M10 X 90MM HEX HEAD
5		7951190014	3	F WASHER 10 200HV FLZN 7089

CLICK HERE TO **DOWNLOAD** THE COMPLETE MANUAL

- Thank you very much for reading the preview of the manual.
- You can download the complete manual from: www.heydownloads.com by clicking the link below



- Please note: If there is no response to CLICKING the link, please download this PDF first and then click on it.

CLICK HERE TO **DOWNLOAD** THE COMPLETE MANUAL

Manitowoc Cranes

Description
CATWALK MAST BUTT

Assembly No.
81038648
Revision: A

Item	FN	Part	Qty	Description
1		5460590	8	NUT, HEX
2		6124050	8	HHCS
3		81016691	24	F WASHER
4		81038650	1	CATWALK 241.3 X 523.6
5		81038651	1	CATWALK 241.6 X 1438.0
6		81038652	1	CATWALK 482.6 X 2581.0
7		81038653	1	CATWALK 482.6 X 2066.6
8		81038654	1	CATWALK 482.6 X 900.0
9		81038730	2	CABLE .75-10 X 75.00 (IN)
10		7114153664	24	C BOLT SQUARE
11		7660152500	32	HEX LOCK NUT PA 5/16-18UNC SS
12		7950150141	40	F WASHER 5/16"
13		7950220141	8	F WASHER 3/4"

Manitowoc Cranes

Description
STRUT ASSEMBLY

Assembly No.
84044439
Revision: **A**

Item	FN	Part	Qty	Description
1		1746472	1	END
2		5468230	1	HEX NUT
3		84044440	1	STRUT MAST STOP
4		A057592	1	ROD THREADED

Manitowoc Cranes

<u>Description</u> HYD LINES INSTL MAST BUTT				Assembly No. 84041645 Revision: C
Item	FN	Part	Qty	Description
73		7447080601	3	ADAPTER, STRAIGHT INCLUDES THE FOLLOWING PARTS
		7755014002	1	O-RING
		7755906002	1	O-RING
74		7447080603	1	ELBOW, 90 DEGREE INCLUDES THE FOLLOWING PARTS
		7755014002	1	O-RING
		7755906002	1	O-RING
75		7447080801	8	ADAPTER, STRAIGHT INCLUDES THE FOLLOWING PARTS
		7755014002	1	O-RING
		7755908002	1	O-RING
76		7447080834	1	TEE, MALE RUN INCLUDES THE FOLLOWING PARTS
		7755014002	1	O-RING
		7755908002	1	O-RING
77		7447080846	4	ADAPTER, MALE ORFS 45 DEG
78		7447081203	1	ELBOW, 90 DEGREE INCLUDES THE FOLLOWING PARTS
		7755014002	1	O-RING
		7755912002	1	O-RING
79		7447101038	1	ELBOW, 90 DEGREE
80		7447121003	1	ELBOW, 90 DEGREE INCLUDES THE FOLLOWING PARTS
		7755018002	1	O-RING
		7755910002	1	O-RING
81		7447121201	3	ADAPTER, STRAIGHT MALE INCLUDES THE FOLLOWING PARTS
		7755018002	1	O-RING
		7755912002	1	O-RING
82		7447121211	1	TEE, UNION
83		7447121234	2	TEE, RUN INCLUDES THE FOLLOWING PARTS
		7755018002	1	O-RING
84		7447121601	1	ADAPTER, STRAIGHT INCLUDES THE FOLLOWING PARTS
		7755018002	1	O-RING
		7755916002	1	O-RING
85		7555202100	1	HOSE ASSY, 3/8" I.D. X 21" LONG
86		7555202102	1	3/8" I.D. X 21" LONG
87		7555204311	1	HOSE ASSY, 3/8" ORFS ST X 90 DEGREE 43"
88		7555301811	1	HOSE ASSY .50 ID X 18 LG
89		7555302611	1	1/2" I.D. HYDR HOSE ASSY STR-9
90		7555317501	1	HOSE ASSY, 1/2" I.D. X 175" LONG
91		7555324080	1	HOSE ASSY 0.50 ID X 240 LG
92		7555327001	1	HOSE ASSY 0.50 ID X 270 LG
93		7555503611	1	HOSE ASSY CODED

Manitowoc Cranes

Description

PIN HOSE STOWAGE

Assembly No.

81042207

Revision: B

Item	FN	Part	Qty	Description
2		81041503	1	PIN 1 HOLE
3		7661210804	1	HEX LOCK NUT

Manitowoc Cranes

Description
CATWALK

Assembly No.
81035290
Revision: **B**

Item	FN	Part	Qty	Description
1		5460590	8	NUT, HEX
2		6124050	34	HHCS
3		810166910	16	WASHER SHOULDER
4		810169952	4	BRACKET
5		810266232	3	CATWALK
6		810281050	2	CABLE .75-10X456.52 (IN)
7		81035817	1	CATWALK 723.9 X 1559.2
8		7114153664	16	C BOLT SQUARE
9		7660152500	50	HEX LOCK NUT PA 5/16-18UNC SS
10		7950150141	84	F WASHER 5/16"
11		7950220141	8	F WASHER 3/4"

Manitowoc Cranes

Description
LINK ASSY

Assembly No.
81037384
Revision: **B**

Item	FN	Part	Qty	Description
1		81037944	1	BUSHING 134.0 X 130.2 X 50.0
2		81037948	1	LINK WELDMENT

Manitowoc Cranes

Alphabetical Index	Appendix A	
Description	Part	Page
1" I.D. HYDR HOSE ASSY STR-45	7555603362	66
1/2" I.D. HYDR HOSE ASSY STR-9	7555302611	119, 120
1/2" I.D. X 22"	7555302201	9
3/4" HYD HOSE ASSY	7555503090	68
3/8" I.D. X 37"	7555203701	67
3/8" I.D. X 47"	7555204700	67
	7555204702	9
3/8" I.D. X 61"	7555206100	9
3/8" I.D. HYDR HOSE ASSY STR-9	7555204503	67
	7555213503	69
3/8" I.D. X 144"	7555214400	68
3/8" I.D. X 19" LONG	7555201903	67
3/8" I.D. X 21" LONG	7555202102	119
3/8" I.D. X 42"	7555204202	9
3/8" I.D. X 59"	7555205901	9
ACCUMULATOR	810253160	117
ACTUATOR MACHINING VPCMAX	810216412	53
ADAPTER CYL PINPULLER	81037400	53
ADHESIVE	2010390	79
ARM	81030266	93
ARM PRESSURE ROLLER	810302672	93
BAR SQUARE	810255872	25
BEAM MACHINING PAD-MLC650	81039510	77
BEAM MACHINING VPC-MAX	81031412	3
BEARING FLANGE CART	2257260	93
BEARING ROLLER	2250650	145, 157
BEARING TAPER ROLLER	810197770	57
BEARING, 125MM ID SHEAVE	2250690	53
BEARING, SPHERICAL ROLLER	2254230	59
BOLT EYE	810219470	54
BOLT, EYE	0757472	95
BRACKET	810169952	41, 133, 139
	810248262	137, 141
	810248282	83
	810253172	117
	810289442	29
	810290842	131, 137
	810334472	75
	810360952	101
	81037262	131, 137
	81037821	131, 137
BRACKET 6.0 X 230.1 X 220.0	81038718	7
BRACKET 6.0 X 251.6 X 250.0	81038776	7

From - 1" I.D. HYDR HOSE ASSY STR-45

To - BRACKET 6.0 X 251.6 X 250.0

Manitowoc Cranes

Alphabetical Index	Appendix A	
Description	Part	Page
NAMEPLATE ID TAG ROUND #050	810186500	117
NAMEPLATE ID TAG ROUND #051	810186510	117
NAMEPLATE ROUND #46	810186460	117
NAMEPLATE ROUND #47	810186470	117
NAMEPLATE ROUND #48	810186480	117
NUT PANEL	5469560	75
NUT, HEX	5460530 5460590	95 99, 133, 139, 147
O RING	5966930	7
OIL SEAL	6223830 6227400	59 85
O-RING	5966920 5966921 7755011002 7755012002 7755014002 7755016002 7755018002 7755021002 7755025002 7755904002 7755906002 7755908002 7755910002 7755912002 7755916002 7755920002 810256990 810257000 9372220173 9372220177	65, 117 71 68, 69 7, 8, 9, 66, 67, 68, 118 7, 8, 119 9 66, 68, 119 67, 68 67 69 8, 9, 66, 67, 68, 118, 119 7, 9, 119 8, 9, 118, 119 66, 68, 119 67, 119 67 53 53 97 97
O-RING 15.6 X 1.8 SAE J515	81041772	85
O-RING 90 DUROMETER	5968040	53
PAWL	A146384	95
PAWL ASSY	810302271	83
PAWL WELDMENT	A146392	95
PEDESTAL BUTT SUPPORT	81040768	142
PIN	1746452 81041239 90024534	107, 111 11, 68, 118 151
PIN 1 HOLE	810247942 81041503	131 21, 73, 129
PIN 1 HOLE 130.0X175.0 LG	84020965	3
PIN 1 HOLE W/HD	1401972 1436622 1748502 810189342	93 95 141 83

From - NAMEPLATE ID TAG ROUND #050

To - PIN 1 HOLE W/HD

Manitowoc Cranes

Numeric Index		Appendix B
Part	Description	Page
5621090	PIN COTTER	107, 111
5621100	PIN COTTER	54
5621320	PIN COTTER	107, 111
5621720	PIN COTTER	131, 137, 141
5621740	PIN COTTER	85, 93
5621790	PIN COTTER	83
5636830	PIN SPRING COIL	93
5637900	PIN, HAIR COTTER	83
5638030	PIN WIRE LOCK	155
5638160	PIN COTTER	107, 111, 131, 137, 141
5638170	PIN, HAIR COTTER	131, 137
5638230	PIN SAFETY	11, 83
5638750	HITCH PIN	37
5726060	PLUG WEDGE LOCK DEUTSCH W3P	31, 103, 105
5963530	RING	85
5963580	RING RETAINING EXT	53
5966920	O-RING	65, 117
5966921	O-RING	71
5966930	O RING	7
5968040	O-RING 90 DUROMETER	53
5970260	RETAINING RING	59
599294	RIVET-BLIND-.125 DIA.	79
6124050	HHCS	41, 99, 133, 139
6125100	SCREW, HEX CAP	93
6125770	HHCS	85
6184660	HHCS	65
6222930	LOCTITE SEALER	101
6223830	OIL SEAL	59
6224720	SEAL OIL 7 X 8 X .44	57, 59
6227400	OIL SEAL	85
6246030	SHACKLE ANCHOR ST GALV 2 1/2	155
6521710	SPRING	93
6670060	STRAP	33
6806940	TERMINAL, PIN	31, 103, 105
7028595	SEAL KIT	71
7040945	KIT, SEAL	71
7041450	VALVE, HOT OIL SHUTTLE WITH RE	65
7041452	CARTRIDGE, LOW SIDE SHUTTLE VA	71
7041453	CARTRIDGE, RELIEF VALVE	71

From - 5621090

To - 7041453

Manitowoc Cranes

Numeric Index		Appendix B
Part	Description	Page
810251520	CHANNEL ANCHOR CLAMP	65
810253140	TIMBER	131, 137
810253160	ACCUMULATOR	117
810253172	BRACKET	117
810253772	INSERT WELD #684 12M BRK	137
81025379	TOP MACHINING, #684 6M	141
810254882	ROLLER	53
810254892	SPACER PLATE	53
810254902	CLAMP	53
810254910	PLATE 25 MM A514 ZINC RICH	53
810255032	PLATE	25
810255362	PLATE	25
810255372	PLATE	25
810255872	BAR SQUARE	25
810256082	GUIDE	17
810256990	O-RING	53
810257000	O-RING	53
810258190	SHEAVE ASSY	141, 155
810258200	SHEAVE 609.6 28 NYLON	145, 157
810258210	SLEEVE 199.92 88.9	145, 157
810258672	PLATE	25
810258710	ENCODER ABSOLUTE	53
810260412	PLATE	25
810260422	PLATE KEEPER	25
810264110	GEAR SPUR	53
810264122	SHAFT	53
810264142	PLATE	53
810266232	CATWALK	133, 139
810268620	SENSOR	117
810269530	CHANNEL	117
810269590	CHANNEL 25.4 DP X 863.6 LG	117
810269870	CHANNEL	8
810270370	CLAMP	65, 117
810270380	CLAMP	7, 65
810270410	CLAMP	7
810270420	CLAMP 1.75 DIA DIN3015	7
810270440	CLAMP	117
810270560	PLATE	117
810270630	PLATE	65, 117

From - 810251520

To - 810270630

CLICK HERE TO **DOWNLOAD** THE COMPLETE MANUAL

- Thank you very much for reading the preview of the manual.
- You can download the complete manual from: www.heydownloads.com by clicking the link below



- Please note: If there is no response to CLICKING the link, please download this PDF first and then click on it.

CLICK HERE TO **DOWNLOAD** THE COMPLETE MANUAL