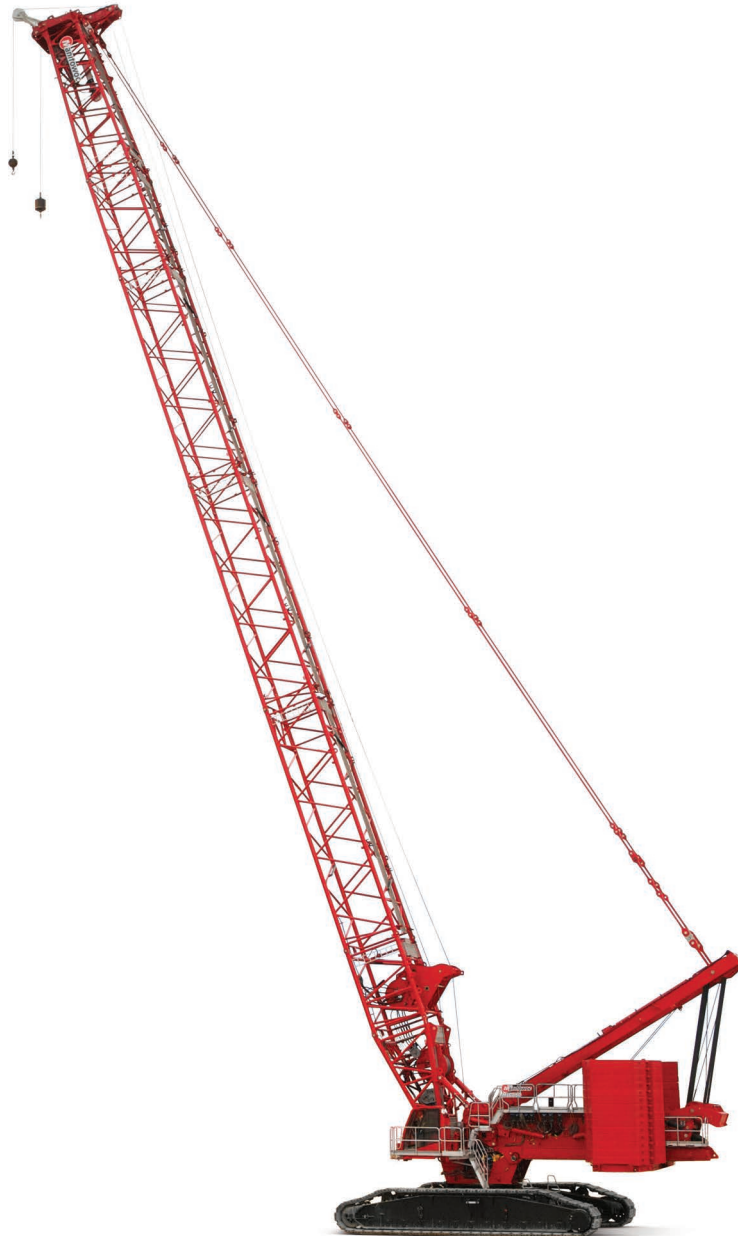


# Manitowoc MLC650

## 606129

### Parts Manual

### Luffing Jib



ENU  
2016-02-22

CLICK HERE TO **DOWNLOAD** THE COMPLETE MANUAL

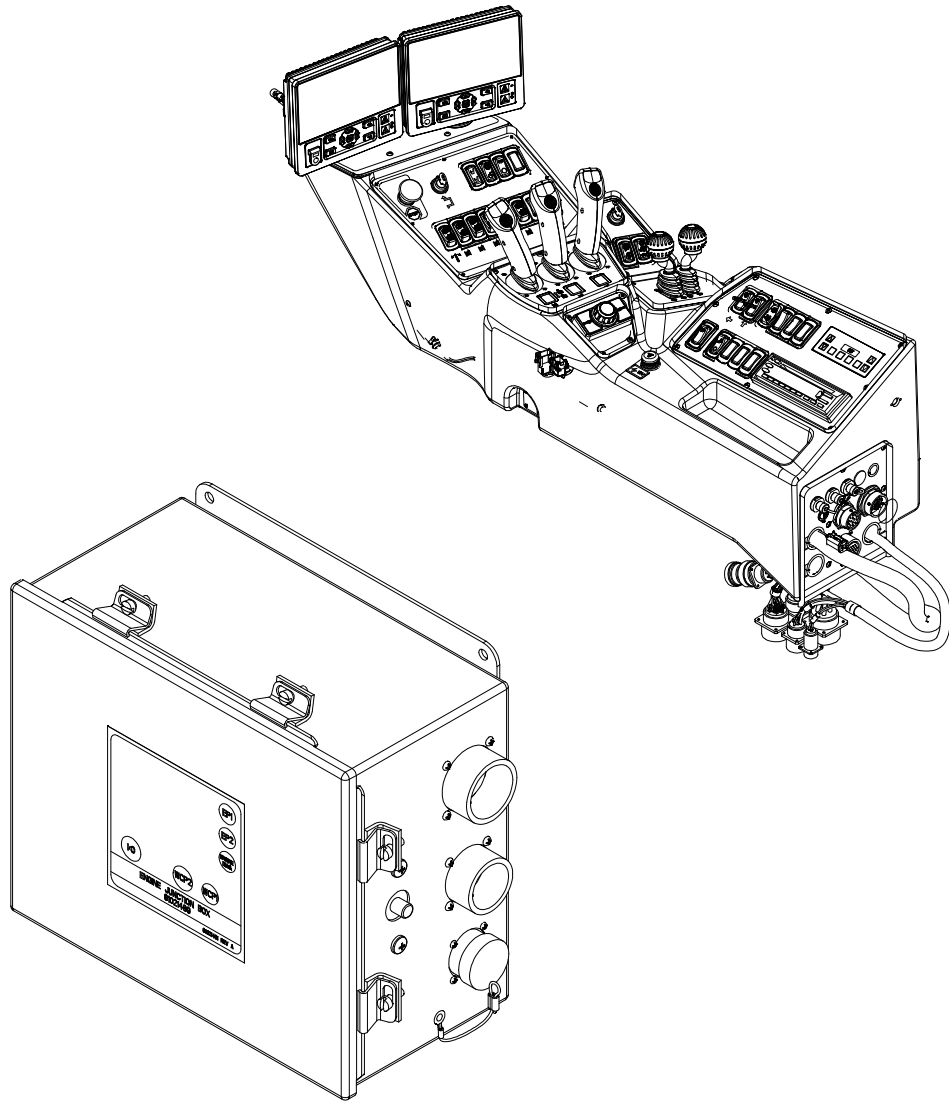
- Thank you very much for reading the preview of the manual.
- You can download the complete manual from: [www.heydownloads.com](http://www.heydownloads.com) by clicking the link below



- Please note: If there is no response to CLICKING the link, please download this PDF first and then click on it.

CLICK HERE TO **DOWNLOAD** THE COMPLETE MANUAL

# 1 CONTROLS, ELECTRICAL



ENU / 2016-02-22

**1. CONTROLS, ELECTRICAL**  
**1.1.1 ESI LUFFING JIB TOP MTG (81027178) Rev C**

<b>SWITCH A2B DEVICE (810245702) Rev A</b>				
<b>Pos.</b>	<b>Part</b>	<b>BOM Qty.</b>	<b>Foot Note</b>	<b>Description</b>
1	0012042	1		SPRING .75 X .105 WIRE 3.04
2	1622712	1		COVER 6 X 7
3	1770752	1		BRACKET
4	1770784 ➡ page 1-12	1		LEVER
5	2528810	1		SHSS-L 3/4 X 1.50 A574
6	5460540	3		HEX NUT 3/8-16UNC GR 5
7	5467630	2		HEX JAM NUT 3/8-16UNC GR 5
8	6124560	3		HHCS 3/8-16UNC X 1.25 GR 5
9	6177800	4		SLOT RMS 10-24UNC X 1.75 GR 1
10	6246330	1		SHACKLE ANCHOR LOOSE PIN GALV
11	7091510	2		F WASHER SHIM 1.25 X 0.81 X .06 COPPER
12	7103010	4		L WASHER MEDIUM #10 ST B18.21.1
13	7103040	3		LOCK WASHER 3/8 ST B18.21.1
14	810152440	1		BOLT EYE 3/8-16 X 2.00 SS 0.25 EYE
15	810161360	1		SWITCH LIMIT ARM FIXED
16	810238652 ➡ page 1-14	1		LIMIT SWITCH SUBASSY
17	810245710	1		BRACKET NAMEPLATE "81024570"

ENU / 2016-02-22

ENU / 2016-02-22

## 2.2.1 BOOM ANGLE INDICATOR ASSEMBLY (1687791) Rev FA

BOOM ANGLE INDICATOR ASSEMBLY (1687791) Rev FA				
Pos.	Part	BOM Qty.	Foot Note	Description
1	1687742	1		PIN (NO HOLES) W/HD .875 DIA X .94 LG
2	1687752	1		PLATE .50 THK
3	1687762	1		GUARD 16 GA (.059) SHT
4	1687772	1		PLATE MOUNTING .25 THK
5	1687782	1		INDICATOR DIAL BOOM FLANGE INDICATOR
6	2241950	1		BEARING BALL 1.85 X .79 X .55

2.2.5 LANYARD STRAP STOWAGE PIN (81041275) Rev A

LANYARD STRAP STOWAGE PIN (81041275) Rev A				
Pos.	Part	BOM Qty.	Foot Note	Description
1	810070010	3.200 FT		WIRE ROPE 3/64 7X7 SS VC-1/16 CLEAR
2	810070020	2		SLEEVE 1/16 OVAL ALUMINUM

ENU / 2016-02-22

2.3.1 STRUT ASSY #683 3M TOP (810212381) Rev D

SHEAVE ASSY 28MM DIA (810258190) Rev A				
Pos.	Part	BOM Qty.	Foot Note	Description
1	2250650	1		CYL ROLLER BRG 7.87 X 5.12 X 3.74
2	810258200	1		SHEAVE 609.6 28 NYLON
3	810258210	1		SLEEVE 199.92 88.9

ENU / 2016-02-22

ENU / 2016-02-22

ENU / 2016-02-22

**2. ATTACHMENTS**  
**2.9.1 DRUM LUFFING ASSY (81023464) Rev C**

<b>DRUM LUFFING ASSY (81023464) Rev C</b>				
<b>Pos.</b>	<b>Part</b>	<b>BOM Qty.</b>	<b>Foot Note</b>	<b>Description</b>
1	A059702	4		PIN 2 HOLE 2.50 DIA X 4.47 LG
2	5621740	8		PIN COTTER 1/2 DIA X 4.50 LG
3	810234651 ▶ page 2-65	1		HOIST LUFFING
5	810257101 ▶ page 2-73	1		PAWL ASSY LUFFING HOIST
6	81027280 ▶ page 2-75	1		ESI DRUM 6
7	810280161 ▶ page 2-79	1		HYD LINES INSTALL DRUM 6 EQUIP
9	81032018	6		SHEET METAL 16 GA (0.059 INCH)
101	810243670	1		WIRE ROPE 28MM ASSY X 793 M LG
201	810243680	1		WIRE ROPE 28MM ASSY X 793M LG
301	810262280	1		WIRE ROPE ASSY 28MM X 793 M LG

ENU / 2016-02-22

2. ATTACHMENTS

2.9.1 DRUM LUFFING ASSY (81023464) Rev C

PAWL ASSY LUFFING HOIST (810257101) Rev B				
Pos.	Part	BOM Qty.	Foot Note	Description
1	0701262	1		SPRING 1.12 OD X .162 WIRE
2	0757472	1		BOLT EYE .31-18 X 3.25X0.25
3	1436622	1		PIN 1 HOLE W/HD .500 DIA X 1.55 LG
4	1462882	1		PLATE KEEPER
5	1700812	8		F WASHER SHIM 2.50 X 1.06 X 0.06 ST
6	1765312	1		PLATE KEEPER .188 THICK
7	81041533	1		PAWL, HYD CYL
8	4290000	1		FITTING GREASE .125 NPT
9	5460530	2		HEX NUT 5/16-18UNC GR 5
10	5620440	3		PIN COTTER 1/8 DIA X 1.25 LG
11	81025711	1		BRACKET PAWL SUPPORT MACHINING
12	810265462	1		LEVER
13	7126191153	2		HHCS M10X20 8.8 FLZN 4017
14	7126211353	2		HHCS M12X30 8.8 FLZN 4017
15	7126272253	6		HHCS FULL THREAD 20 X 75 8.8
16	7661270804	6		HEX LOCK NUT M20 10FLZN ISO7040
17	7951190220	2		L WASHER 10 ST DIN 127B
18	7951210220	2		L WASHER 12 ST DIN 127B
19	7951270220	6		L WASHER 20 ST DIN 127B
20	A033912	1		PIN 2 HOLE .625 DIA X 7.48"
21	A033922	1		PIN KEEPER 1.0 DIA X 7.56 LG
22	A033932	1		PIN KEEPER 3.0 DIA X 8.625 LG
23	A033950	5		F WASHER SHIM 4.25 X 3.06 X 0.10 ST
24	A033960	3		F WASHER SHIM 4.25 X 3.06 X 0.06 ST
25	A119384	1		PAWL ASSY
25-1	A11939	1		PAWL
25-2	A125160	2		BUSHING 3.01 X 3.50 X 1.75

ENU / 2016-02-22

Q DISCON FITTING HYD NIPPLE -12ORBX-12 (810039140) Rev B				
Pos.	Part	BOM Qty.	Foot Note	Description
1	810120120	1		FITTING QUICK DISC NIPPLE
2	90021777	1		CARTRIDGE KIT

ENU / 2016-02-22

## 2.10.1 ESI LUFFING JIB BUTT WRG (81027017) Rev C

ESI LUFFING JIB BUTT WRG (81027017) Rev C				
Pos.	Part	BOM Qty.	Foot Note	Description
1	6670070	153		STRAP NYLON CABLE TIE 7.4
2	810256670	1		CABLE ELEC WN100,000
3	81027018 → page 2-95	1		ESI LUFFING JIB BUTT MTG
4	84023329	1		WIRING HARNESS WJB1
5	810329940	1		WIRING HARNESS WJR1
6	81038436	1		WIRING HARNESS WJB2

CLICK HERE TO **DOWNLOAD** THE COMPLETE MANUAL

- Thank you very much for reading the preview of the manual.
- You can download the complete manual from: [www.heydownloads.com](http://www.heydownloads.com) by clicking the link below



- Please note: If there is no response to CLICKING the link, please download this PDF first and then click on it.

CLICK HERE TO **DOWNLOAD** THE COMPLETE MANUAL

## 2.10.1 ESI LUFFING JIB BUTT WRG (81027017) Rev C

---

BRACKET SUB-ASSY (81039473) Rev A				
Pos.	Part	BOM Qty.	Foot Note	Description
1	2897970	2		BUSHING .752 ID X .937 OD
2	81039474	1		BRACKET LIMIT SWITCH

2. ATTACHMENTS

2.10.1 ESI LUFFING JIB BUTT WRG (81027017) Rev C

SWITCH ASSY LIMIT (81040091) Rev A				
Pos.	Part	BOM Qty.	Foot Note	Description
1	0017152	1		SPRING WASHER
2	1768092	1		SPRING WASHER
3	3964010	1		PIN SPRING SLOT 1/4 DIA X 1.50 LG
4	6177840	4		SLOT RMS 10-24UNC X 0.38 GR 1
5	6177920	4		SLOT RMS 10-24UNC X 1.50 GR 1
6	7094020	4		F WASHER #10 ST USS
7	7103010	8		L WASHER MEDIUM #10 ST B18.21.1
8	810249950 ➡ page 2-115	1		LIMIT SWITCH SUBASSY
9	81040093	1		ROD 19 X 205 MM
10	A146154 ➡ page 2-117	1		BRACKET ASSY W/BUSHING 289797
11	A146172	1		COVER
12	A146190	1		SPRING COMPRESSION 1.225 OD X 3.0 LG

ENU / 2016-02-22

## 2.10.1 ESI LUFFING JIB BUTT WRG (81027017) Rev C

---

BRACKET ASSY W/BUSHING 289797 (A146164) Rev FA				
Pos.	Part	BOM Qty.	Foot Note	Description
1	A146142	1		BRACKET SWITCH
2	2897970	2		BUSHING .752 ID X .937 OD

ENU / 2016-02-22

**2. ATTACHMENTS**  
**2.10.3 PIN ASSY JIB PIN (81036352) Rev B**

<b>PIN ASSY JIB PIN (81036352) Rev B</b>				
<b>Pos.</b>	<b>Part</b>	<b>BOM Qty.</b>	<b>Foot Note</b>	<b>Description</b>
1	5638230	4		PIN SAFETY .25 DIA X 1.75 LG
2	81036351	2		PIN PIVOT 200.0 DIA X 342.0 LG
3	81039302	2		COLLAR 201.0 X 235.0 X 40.0
4	81039314	2		RETAINER WELDMENT JIB PIN
5	7128291954	16		SHCS 24 X 60 12.9
6	7128293154	2		SCR SKT HD M24-3X150 12.9 PLN
7	7951290095	16		F WASHER 24 HST B18.22M
8	A081272	2		PIN COTTER 2 HOLE .75 DIA. X 11.5 LG.

ENU / 2016-02-22

ENU / 2016-02-22

2.13.2 FRAME ASSY WIRE ROPE GUIDE LOWER (810271871) Rev A

SHEAVE ASSY 28MM DIA (810258190) Rev A				
Pos.	Part	BOM Qty.	Foot Note	Description
1	2250650	1		CYL ROLLER BRG 7.87 X 5.12 X 3.74
2	810258200	1		SHEAVE 609.6 28 NYLON
3	810258210	1		SLEEVE 199.92 88.9

ENU / 2016-02-22

2. ATTACHMENTS

2.18 CATWALK ASSY 3.0 M #681 (810304811) Rev A

CATWALK ASSY 3.0 M #681 (810304811) Rev A				
Pos.	Part	BOM Qty.	Foot Note	Description
1	5460590	8		HEX NUT 3/4-10UNC GR 5
2	6124050	10		HHCS 5/16-18UNC X 1.00 GR 5
3	810166910	10		WASHER SHOULDER GRIP STRUT DIAMOND PATRN
4	810266252	1		CATWALK 724 MM X 1638 MM
5	810299702	1		LADDER 371 MM X 2200 MM
6	81030499	1		CATWALK 50.8 X 724 X 2067
7	81030500	1		CATWALK 50.8 X 362 X 495
8	810321130	2		CABLE SEE DRW 81003372
9	7114153664	10		C BOLT SQ GR 4 5/16-18UNC X 4.50
10	7126191450	4		HHCS 10 X 35 8.8
11	7660152500	20		HEX LOCK NUT PA 5/16-18UNC SS
12	7661190803	4		HEX LOCK NUT M10 8FLZN ISO7040
13	7950150141	30		F WASHER 5/16 ST B18.21.1 NARROW
14	7950220141	8		F WASHER 3/4" DIA
15	7951190014	8		F WASHER 10 ST ISO 7089

ENU / 2016-02-22

2. ATTACHMENTS

2.23 CATWALK ASSY 12.0 M #681 (81034751) Rev A

CATWALK ASSY 12.0 M #681 (81034751) Rev A				
Pos.	Part	BOM Qty.	Foot Note	Description
1	5460590	8		HEX NUT 3/4-10UNC GR 5
2	6124050	38		HHCS 5/16-18UNC X 1.00 GR 5
3	7114153664	17		C BOLT SQ GR 4 5/16-18UNC X 4.50
4	7126191450	4		HHCS 10 X 35 8.8
5	7660152500	55		HEX LOCK NUT PA 5/16-18UNC SS
6	7661190803	4		HEX LOCK NUT M10 8FLZN ISO7040
7	7950150141	93		F WASHER 5/16 ST B18.21.1 NARROW
8	7950220141	8		F WASHER 3/4" DIA
9	7951190014	8		F WASHER 10 ST ISO 7089
10	810053140	2		CABLE SEE DRW 81003372
11	810166910	17		WASHER SHOULDER GRIP STRUT DIAMOND PATRN
12	810169952	4		BRACKET 4 HOLE 1.50X0.13X6.50
13	810266232	3		CATWALK 724 MM X 3667 MM
14	810266252	1		CATWALK 724 MM X 1638 MM
15	810299702	1		LADDER 371 MM X 2200 MM
16	81030500	1		CATWALK 50.8 X 362 X 495

ENU / 2016-02-22

## 2.27.1 SHEAVE ASSY 30"FOR 1.25"WR (810338461) Rev A

---

SHEAVE ASSY 30"FOR 1.25"WR (810338461) Rev A				
Pos.	Part	BOM Qty.	Foot Note	Description
2	2250190	1		BEARING TAPER ROLLER 7.19 X 5.00 X 3.69
3	6227720	2		SEAL OIL 6.1095 X 7.1875 X .375
101	81033847	1		SHEAVE 30" OD 1.25 FORGED

ENU / 2016-02-22

## 2.29 LINK ASSY LUFFING JIB TOP (810424041) Rev A

---

LINK ASSY LUFFING JIB TOP (810424041) Rev A				
Pos.	Part	BOM Qty.	Foot Note	Description
1	810266462	2		LINK LIVE MAST
2	81042403	4		EYE BOLT M12 X 1.75 24

## 2.35.1 SHEAVE ASSY 28MM DIA (810258190) Rev A

---

SHEAVE ASSY 28MM DIA (810258190) Rev A				
Pos.	Part	BOM Qty.	Foot Note	Description
1	2250650	1		CYL ROLLER BRG 7.87 X 5.12 X 3.74
2	810258200	1		SHEAVE 609.6 28 NYLON
3	810258210	1		SLEEVE 199.92 88.9

810282382 (SNAPPER PIN .38 DIA X 3.00 LG) . . . . .	2-188	810302602 (BRACKET STRAP) . . . . .	2-9, 2-53, 2-56, 2-58, 2-172
810282582 (PIN 1 HOLE W/HD 105.0 DIA X 121.1 LG) . . . . .	2-56, 2-142	810304801 (CATWALK ASSY 12.0 M #680/681) . . . . .	2-2
810282592 (PIN 1 HOLE W/HD 127.0 DIA X 121.1 LG) . . . . .	2-142	810304811 (CATWALK ASSY 3.0 M #681) . . . . .	2-2
810282602 (COLLAR 106.5 MM ID) . . . . .	2-56, 2-142	810304841 (CATWALK ASSY INSERT TRANSITION) . . . . .	2-2
810282622 (PIN 2 HOLE 19.05 DIA X 142.0 LG) . . . . .	2-56, 2-142	810304852 (STRAP INSERT #681 JIB LUFF 50.8X88.0) . . . . .	2-53
810282642 (COLLAR 128.2 MM ID) . . . . .	2-9, 2-142	810304862 (STRAP INSERT #681 JIB LUFF 50.8X88.0) . . . . .	2-53
810282652 (PIN 2 HOLE 19.05 DIA X 167.8 LG) . . . . .	2-9, 2-43, 2-142	810304872 (STRAP TRANSITION JIB LUFF 50.8X88.0) . . . . .	2-56
81028354 (PIN W/HD 50.8 DIA X 269.0 LG) . . . . .	2-152	81030497 (BRACKET PINPULLER) . . . . .	2-53
810284270 (PIN SAFETY .25 DIA X 2.50 LG) . . . . .	1-7	81030499 (CATWALK 50.8 X 724 X 2067) . . . . .	2-164
810284962 (SPACER STEP 152.4 OD X 127 ID X 47 LG) . . . . .	2-142, 2-188	81030500 (CATWALK 50.8 X 362 X 495) . . . . .	2-162, 2-164, 2-174
810285442 (ROLLER WELDMENT 70.0 OD) . . . . .	2-140	81030501 (CATWALK 50.8 X 121 X 495) . . . . .	2-166
810285451 (ROLLER ASSY GUARD WIRE ROPE) . . . . .	2-2	810308801 (GUIDE WIRE ROPE ASSY #682) . . . . .	2-2
810286181 (TOP ASSY #682, 2.0 M) . . . . .	2-2	81030919 (SPACER 146.2 OD X 127.1 ID X 25.3 LG) . . . . .	2-182
810288502 (ROD ADJUSTMENT) . . . . .	2-126	81030920 (SPACER 146.2 OD X 127.1 ID X 136.0 LG) . . . . .	2-168
810289324 (LINK DEAD END ASSY) . . . . .	2-188	81030999 (BRACKET STRAP) . . . . .	2-53
810289332 (LINK DEAD END WELD AND MACH) . . . . .	2-190	81031014 (WIRING HARNESS WJT1) . . . . .	1-5
810290691 (INSERT 12.0 M LUFF JIB EQUIP W/SHEAVES) . . . . .	2-2	81031064 (LADDER 371 X 1634) . . . . .	2-166
810290901 (INSERT 4.0 M LUFF JIB EQUIP) . . . . .	2-2	810311452 (PIN 1 HOLE W/HD 81.7 DIA X 173.5 LG) . . . . .	2-56, 2-58, 2-142, 2-172
810291390 (SENSOR ANGLE MEMS 200 DEG) . . . . .	1-7, 2-96	81031273 (SPACER 150 OD X 127 ID X 188LG) . . . . .	2-142
810291461 (INSERT 12.0 M LUFF JIB EQUIP) . . . . .	2-2	81031328 (BRACKET STRAP) . . . . .	2-56
810291491 (INSERT 6.0 M HEAVY LUFF JIB EQUIP) . . . . .	2-2	81031436 (ROLLER 177.8 OD X 65.1 ID X 125.0 LG) . . . . .	2-202
810291782 (BRACE PLATFORM) . . . . .	2-50	81031453 (SHAFT 129.95 X 198.0 LG) . . . . .	2-148, 2-152, 2-202
81029193 (PIN W/HD 50.8 DIA X 230.0 LG) . . . . .	2-148	81031454 (SPACER 150.0 OD X 131.0 ID X 21.0 LG) . . . . .	2-148, 2-152, 2-202
810299412 (HITCH PIN .5 DIA X 5.50 LG) . . . . .	2-178	81031553 (BRACKET STRAP) . . . . .	2-53, 2-58, 2-172
810299510 (SIGN MANITOWOC 494X1320) . . . . .	2-142	810316522 (BRACKET PINPULLER) . . . . .	2-56, 2-58, 2-172
810299702 (LADDER 371 MM X 2200 MM) . . . . .	2-162, 2-164, 2-174	81031790 (LINK STRUT SHAFT #683) . . . . .	2-29, 2-38
810300010 (SENSOR SPEED H1 MOTOR) . . . . .	2-66		
81030095 (GUARD WIRE ROPE 1809.0 USABLE LG) . . . . .	2-29, 2-38		

ENU / 2016-02-22

FLANGE ELBOW 90 SAE CODE 62 -20 SIZE (A112450) . . . . . 2-82  
 FLANGE-FLANGED ELBOW (4317510) . . . . . 2-81  
 FRAME ASSY WIRE ROPE GUIDE LOWER (810271871) . . . . . 2-146  
 FRAME ASSY WIRE ROPE GUIDE UPPER (810222561) . . . . . 2-146

**G**

GAUGE (4603650) . . . . . 2-138  
 GEAR BOX PLANETARY, 161.3:1 (810245260) . . . . . 2-66  
 GRIP CORD .50 NPT CABLE OD (.312-.437) (4716820) . . . . . 1-15, 2-78, 2-102, 2-110, 2-116, 2-122, 2-130  
 GUARD 16 GA (.059) SHT (1687762) . . . . . 2-14, 2-46  
 GUARD 63.5 OD X 335 LG (81040345) . . . . . 2-188  
 GUARD ASSY DRUM PLASTIC WITH CUTOUT (810354002) . . . . . 2-66  
 GUARD ASSY DRUM PLASTIC (810354042) . . . . . 2-66  
 GUARD DRUM, PLASTIC (810354052) . . . . . 2-72  
 GUARD DRUM, PLASTICW/CUTOUT (810354022) . . . . . 2-70  
 GUARD WIRE ROPE 1569.0 USABLE LG (81037364) . . . . . 2-29, 2-38  
 GUARD WIRE ROPE 1809.0 USABLE LG (81030095) . . . . . 2-29, 2-38  
 GUARD WIRE ROPE 2.00 X 1.50 X 8.875 (A065692) . . . . . 2-202  
 GUARD WIRE ROPE 2.0X9.50 (81040412) . . . . . 2-148, 2-152  
 GUARD WIRE ROPE 3.00(IN) DIA X 330 LG (810003132) . . . . . 2-43  
 GUARD WIRE ROPE 63.5 OD X38.1 IDX280.LG (810020482) . . . . . 2-43  
 GUIDE STRUT STOP ROLLER (81036409) . . . . . 2-9  
 GUIDE WIRE ROPE 63.5 OD X 186.0 LG (81027294) . . . . . 2-152, 2-202  
 GUIDE WIRE ROPE 681/682 JIB HOIST 680TOP (810249761) . . . . . 2-3  
 GUIDE WIRE ROPE 76.2ODX50.8 IDX672.50LG (810248312) . . . . . 2-168  
 GUIDE WIRE ROPE ASSY #682 (810308801) . . . . . 2-2

**H**

HAIR PIN .25 DIA X 5.00 LG (5638160) . . . . . 2-9, 2-29, 2-38  
 HEAVY DUTY CABLE TIE 27.50 IN LG (6670420) . . . . . 1-17  
 HEX JAM NUT 3/4-10UNC GR 5 (5467680) . . . . . 2-126  
 HEX JAM NUT 3/8-16UNC GR 5 (5467630) . . . . . 1-9, 1-11, 1-13  
 HEX JAM NUT M10 04FLZN ISO4035 (7661190103) . . . . . 1-7  
 HEX LOCK NUT M10 8FLZN ISO7040 (7661190803) . . . . . 2-10, 2-53, 2-56, 2-58, 2-142, 2-162, 2-164, 2-166, 2-172, 2-174  
 HEX LOCK NUT M12 8FLZN ISO7040 (7661210803) . . . . . 2-10, 2-29, 2-38, 2-53  
 HEX LOCK NUT M16 8FLZN ISO7040 (7661240803) . . . . . 2-43  
 HEX LOCK NUT M20 10FLZN ISO7040 (7661270804) . . . . . 2-10, 2-74  
 HEX LOCK NUT M6 8FLZN ISO7040 (7661150803) . . . . . 2-53, 2-56, 2-58, 2-142, 2-172  
 HEX LOCK NUT M8 8FLZN ISO7040 (7661170803) . . . . . 2-138, 2-186  
 HEX LOCK NUT PA 5 8 ISO 7040 (7661130803) . . . . . 2-96  
 HEX LOCK NUT PA 5/16-18UNC SS (7660152500) . . . . . 2-10, 2-20, 2-29, 2-132, 2-162, 2-164, 2-166, 2-174, 2-180  
 HEX LOCK NUT PA 8 8 ISO 7040 (A027240) . . . . . 2-82  
 HEX NUT 1/2-13 UNC GR8 (7660180008) . . . . . 1-7  
 HEX NUT 3/4-10UNC GR 5 (5460590) . . . . . 2-20, 2-29, 2-132, 2-162, 2-164, 2-166, 2-174  
 HEX NUT 3/8-16UNC GR 5 (5460540) . . . . . 1-11  
 HEX NUT 5/16-18UNC GR 5 (5460530) . . . . . 2-74  
 HEX NUT M10 8FLZN ISO4032 (7661190003) . . . . . 1-7, 2-96, 2-98, 2-106, 2-108, 2-126  
 HEX NUT M12 8FLZN ISO4032 (7661210003) . . . . . 1-7  
 HEX NUT M6 10FLZN ISO4032 (7661150004) . . . . . 1-7  
 HEX NUT M8 10FLZN ISO4032 (7661170004) . . . . . 2-142  
 HHCS 1-8UNC X 1.75 GR 5 (6128150) . . . . . 2-9  
 HHCS 1/2-13UNC X 4.00 GR 5 (6125770) . . . . . 2-66

ENU / 2016-02-22

CLICK HERE TO **DOWNLOAD** THE COMPLETE MANUAL

- Thank you very much for reading the preview of the manual.
- You can download the complete manual from: [www.heydownloads.com](http://www.heydownloads.com) by clicking the link below



- Please note: If there is no response to CLICKING the link, please download this PDF first and then click on it.

CLICK HERE TO **DOWNLOAD** THE COMPLETE MANUAL