

# Manitowoc Cranes MACHINE COMPONENT INDEX

Date: January 03, 2019

Rev: 003

<u>Model Number</u> MLC300WB		<u>Serial Number</u> 3007008	
Item	Part	Description	Page
8	84050837	<b>CONTROLS, ELECTRICAL</b> ESI 3.5 M 12M INSERT CCTV	3
1	84048000	<b>ATTACHMENTS</b> INSERT ASSY 12M H #500/505	5
	84048974	CATWALK ASSY 12M H #500/505	7
	84050297	ESI 3.5 M 12M INSERT	9
	84052630	INSERT LJ PREP 12M #500/505	11
	A120120	SHEAVE ASSY RIG WINCH ZINC RIC	13
2	84048756	INSERT ASSY #505 12M H	15
	84051514	CATWALK #505 12M H W/EQ	17
	84050213	INSERT LJ PREP 12M H #505	19
3	84047995	INSERT ASSY #505/500 12M H	21
	84052701	CATWALK #505/500 12M H	23
	84052702	INSERT LJ PREP 12M #505/500	25
4	84051095	SUSPENSION WIRE ROPE	27
5	84052213	TOP ASSY #500 3.0M	29
	84050293	ESI 3M CAP	33
	84050294	ESI 3M CAP MOUNTING	35
	84051036	ESI EXT UPPER POINT	37
	84053828	CATWALK ASSY#500W, BOOM TOP	39
7	A11993	#58 EXT UPPER BOOM POINT ASSY	41
	81035175	ESI #58 EXT UPPER POINT	45
	1957489	SWITCH ASSEMBLY BLOCK	47
	1770784	LEVER	49
	1957499	SWITCH ASSEMBLY BLOCK	51
	1770804	LEVER	53
	1712501	SHEAVE ASSY	55
	A062780	SOCKET BUTTON	57
9	80103460	LINK ASSY A2B	59

CLICK HERE TO **DOWNLOAD** THE COMPLETE MANUAL

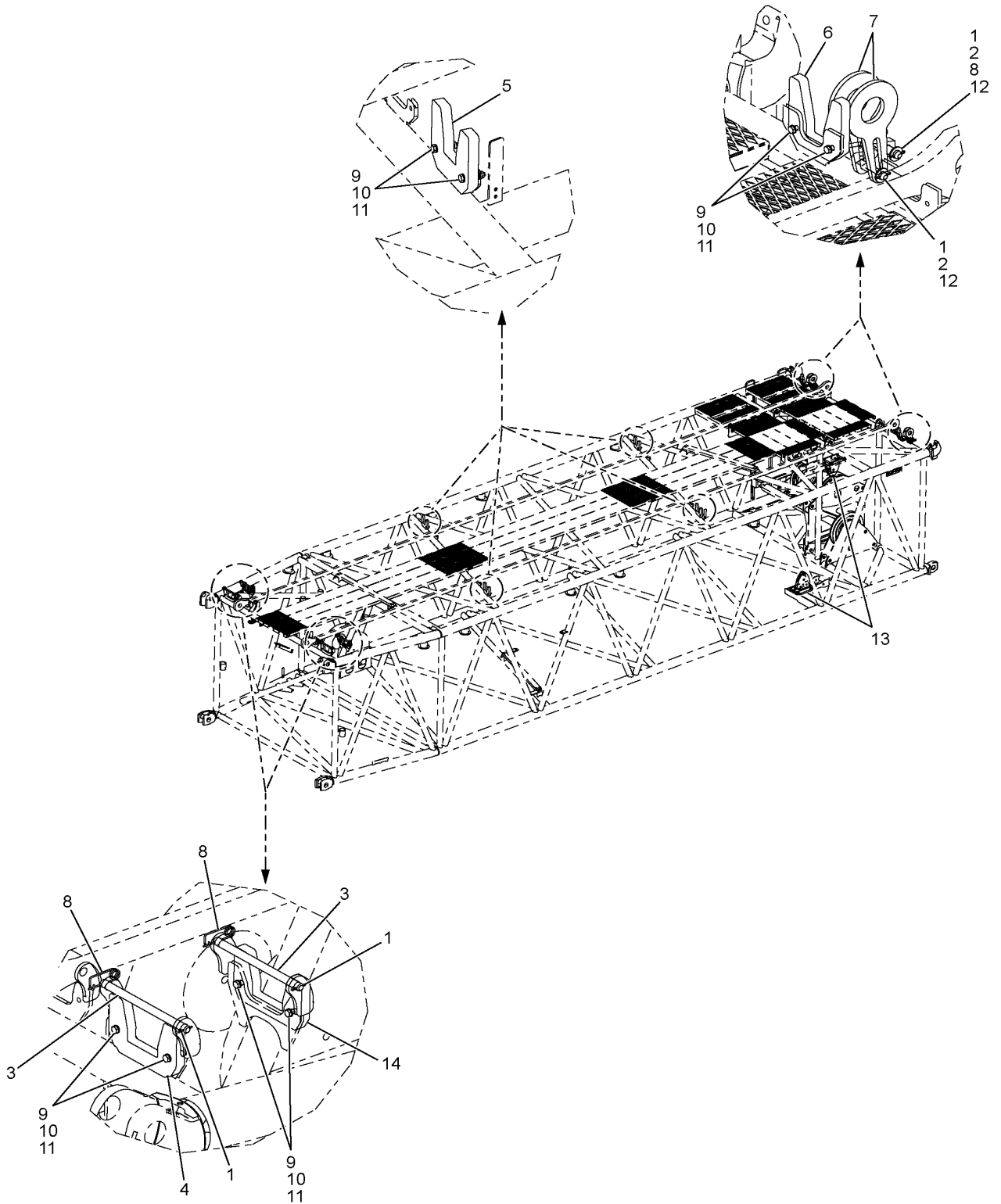
- Thank you very much for reading the preview of the manual.
- You can download the complete manual from: [www.heydownloads.com](http://www.heydownloads.com) by clicking the link below



- Please note: If there is no response to CLICKING the link, please download this PDF first and then click on it.

CLICK HERE TO **DOWNLOAD** THE COMPLETE MANUAL

# Manitowoc Cranes



# Manitowoc Cranes

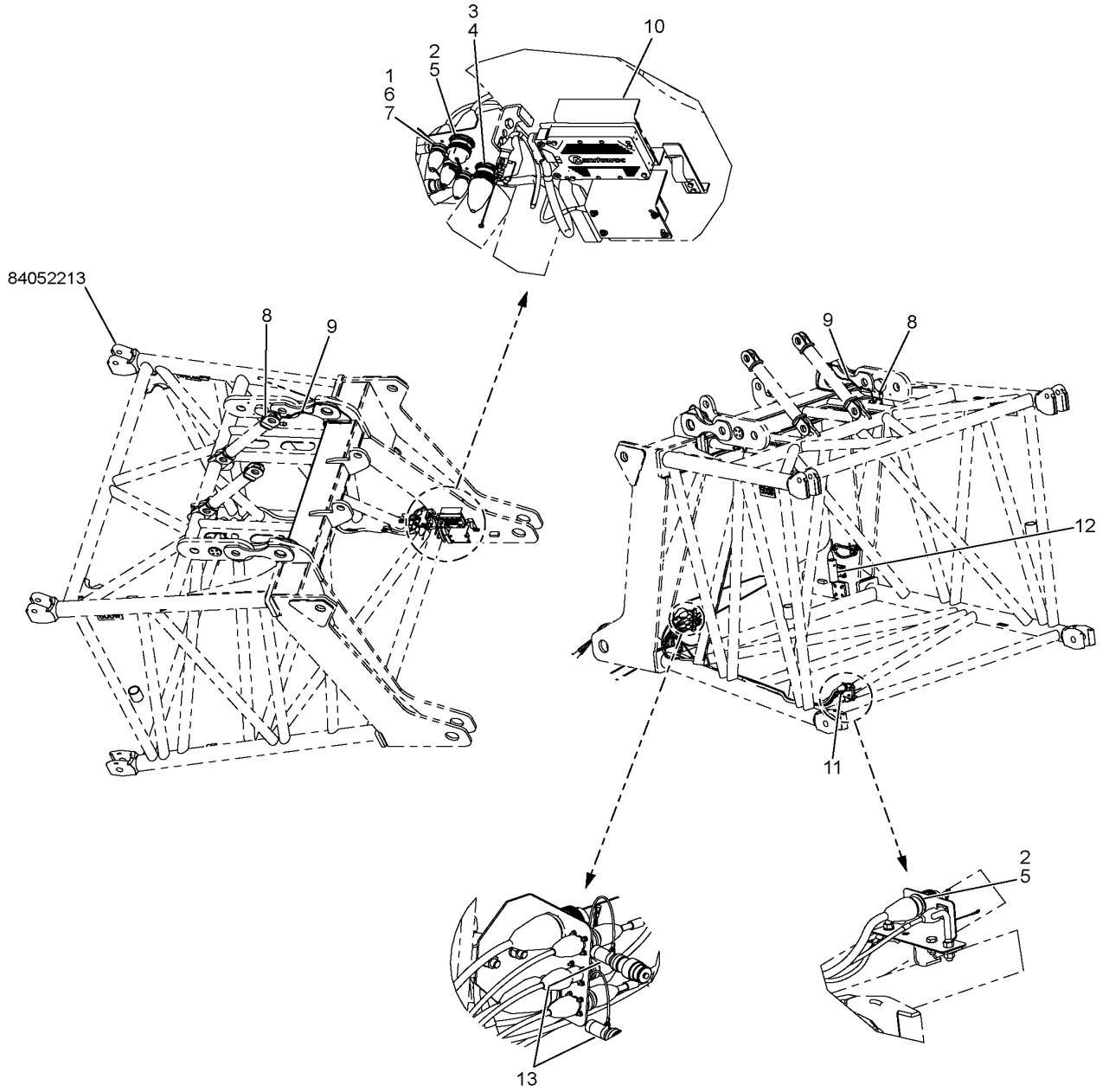
Description  
**INSERT ASSY #505/500 12M H**

**Assembly No.**  
**84047995**  
**Revision: C**

Item	FN	Part	Qty	Description
1		5620640	4	PIN COTTER
2		5620850	8	PIN COTTER
3		5621720	2	PIN COTTER
4		5636400	4	SAFETY PIN
5		7126151150	8	CAP SCREW, M6X20 HEX HEAD
6		7126191353	8	HHCS M10X30 8.8 FLZN ISO 4017
7		7126191850	24	HHCS M10x55 -8.8 ISO 4014
8		7661150803	8	NUT NYLOC M6
9		7661190803	32	HEX LOCK NUT M10 -8 ISO 7040
10		7951150014	16	F WASHER 6 -ST ISO 7089
11		7951190014	64	F WASHER 10 200HV FLZN 7089
12		810249512	4	PIN 1 HOLE W/HD
13		810249552	4	LINK
14		810254722	4	CLAMP CABLE
15		81027401	2	STRAP 11.78M #500
16		810277822	2	PIN 2 HOLE
17		810277952	2	TIMBER
18		810294422	2	BRACKET
19		810294472	4	BRACKET
20		810294522	2	BRACKET
21		84020079	2	PIN 2 HOLE 19.1 DIA X 241.2 LG
22		84023910	2	PLATE 6X80X146.8
23		84023912	2	PLATE 6X80X80
24		84024200	4	SAFETY PIN
25		84026091	2	PIN 2 HOLE
26		80110939	1	MOD INSERT 84047996
27	+	84052701	1	CATWALK #505/500 12M H
28		A117992	4	PIN 2 HOLE
29		A118002	4	COLLAR
30		A165342	2	PIN 1 HOLE W/HD
100	+	84052702	1	INSERT LJ PREP 12M #505/500

+ SEE FURTHER BREAKDOWN THIS GROUP

# Manitowoc Cranes

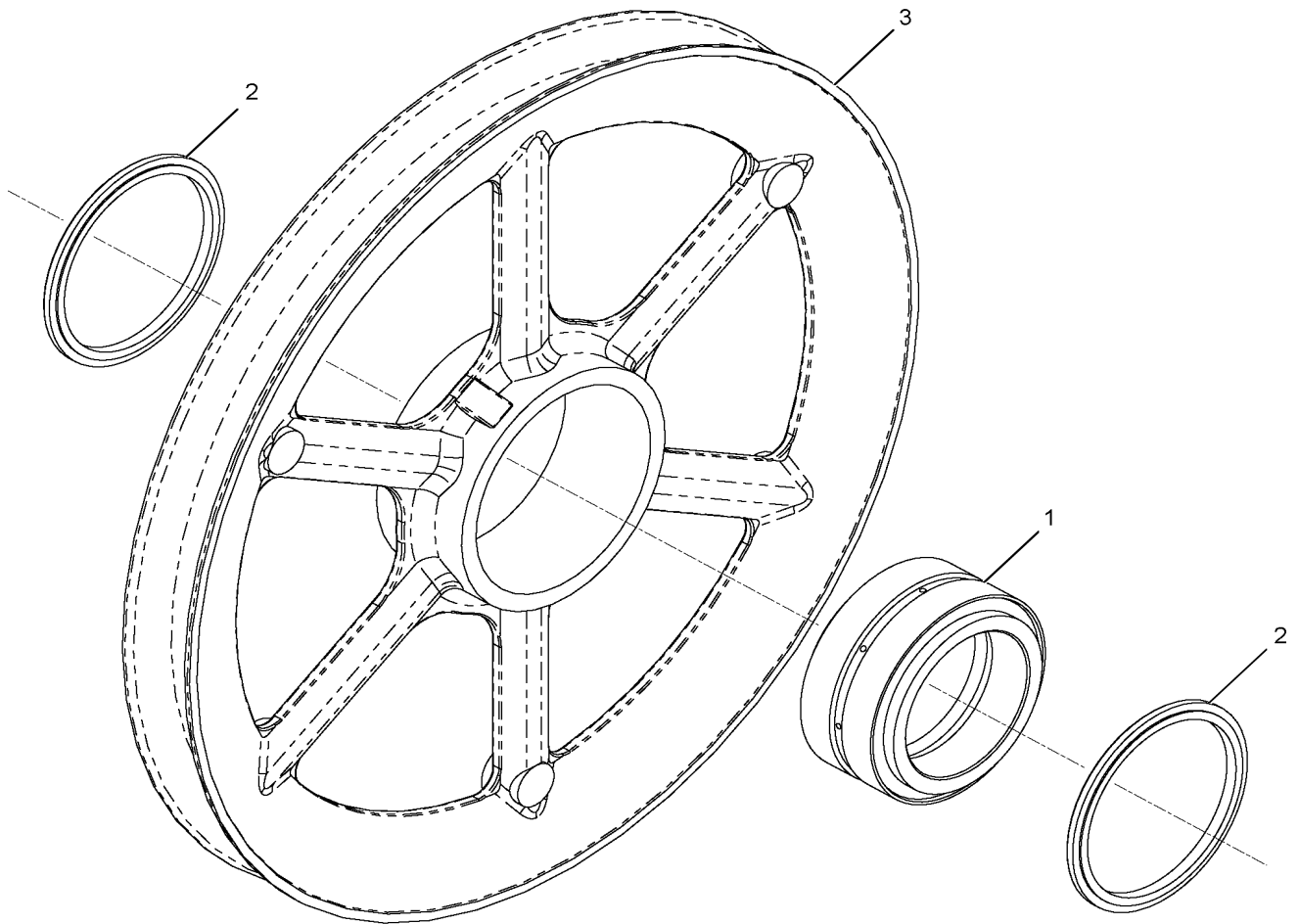


# ***Manitowoc Cranes***

Notes

---

# Manitowoc Cranes



# Manitowoc Cranes

Alphabetical Index	Appendix A	
Description	Part	Page
PIN HITCH	5638220	13
	810299412	27
	81034799	27
PIN QUICK RELEASE LYNCH .19 DI	810315260	13
PIN SAFETY	5638230	41
	A066560	27
	A126470	30
PIN, COTTER	5621510	42
PIN, COTTER (3/8X3-1/2)	9539220048	57
PIN, SAFETY	5638710	15, 27
PIPE, NIPPLE	5434440	47, 51
PLATE	1747132	45
PLATE 20 MM	84052635	25
PLATE 6X170X40	84023911	5
PLATE 6X80X146.8	84023910	15, 21
PLATE 6X80X80	84023912	15, 21, 29
PLATE KEEPER	1698102	41
	A016702	41
	A016722	41
RECEPTACLE, MALE	5896540	47, 51
REEL-CABLE	5911160	3, 9
RETAINER	810153250	3, 9
	A017500	9
ROLLER	6021614	41
	6021710	41
ROLLER 39" DIAM.	6021619	41
SAFETY PIN	5636400	5, 15, 21, 27, 29
	84024200	5, 11, 15, 19, 21, 25, 27, 29
SCREW, HEX CAP	6124530	45
	6124540	49, 53
	6124560	47
SCREW, MACH ROUND SLOTTED	6177800	47
SCREW, SOCKET SET	2528810	47, 51
SENSOR ANGLE MEMS 200 DEGREES	810291390	35
SHACKLE	6246330	42, 47, 51, 59
SHAFT	1742132	41
	A140732	41
SHEAVE ASSY	1712501	42
SHEAVE ASSY RIG WINCH ZINC RIC	A120120	11
SHEAVE WIRE ROPE	A092590	13
SHEAVE, 30 IN DIA	1703542	55
SIGN	810299510	30
SLEEVE	A016712	41

From - PIN HITCH

To - SLEEVE

CLICK HERE TO **DOWNLOAD** THE COMPLETE MANUAL

- Thank you very much for reading the preview of the manual.
- You can download the complete manual from: [www.heydownloads.com](http://www.heydownloads.com) by clicking the link below



- Please note: If there is no response to CLICKING the link, please download this PDF first and then click on it.

CLICK HERE TO **DOWNLOAD** THE COMPLETE MANUAL