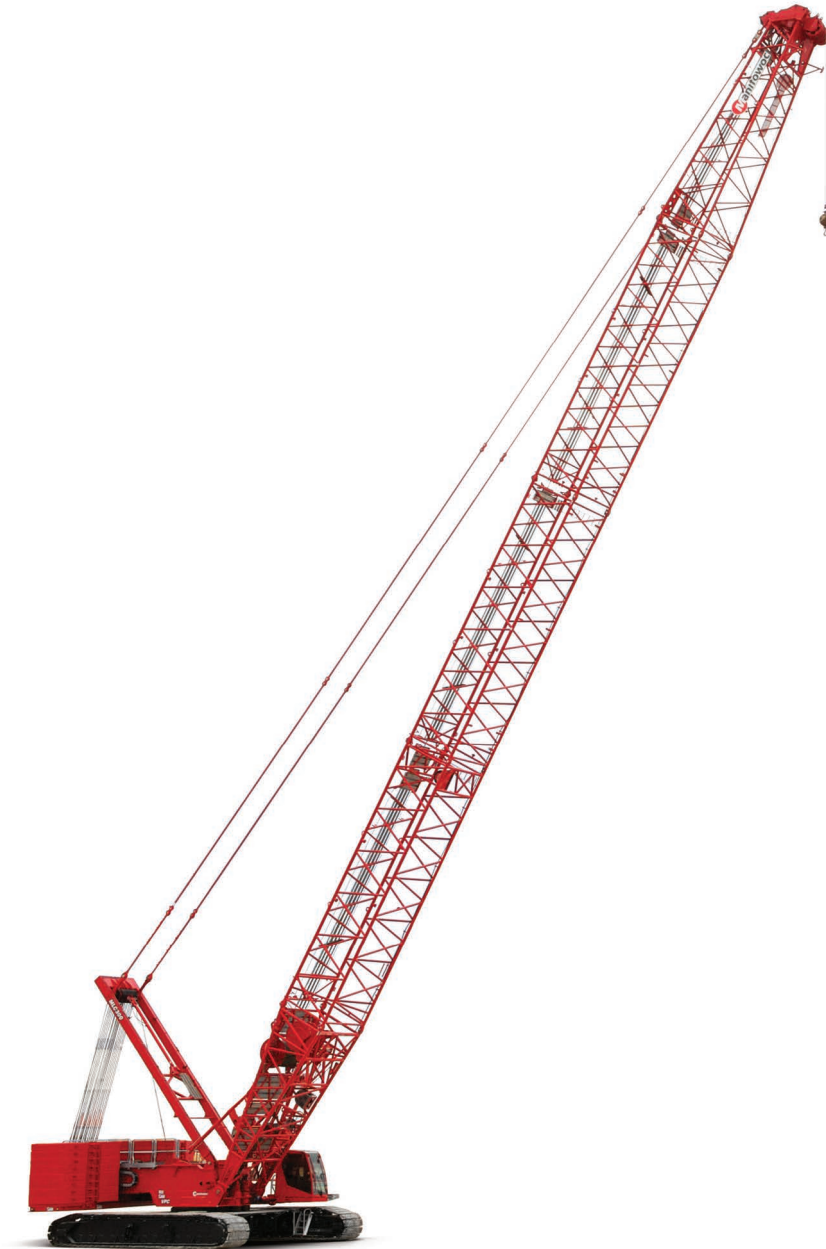


Manitowoc MLC300

605805

Parts Manual



ENU
2016-03-18

CLICK HERE TO **DOWNLOAD** THE COMPLETE MANUAL

- Thank you very much for reading the preview of the manual.
- You can download the complete manual from: www.heydownloads.com by clicking the link below



- Please note: If there is no response to CLICKING the link, please download this PDF first and then click on it.

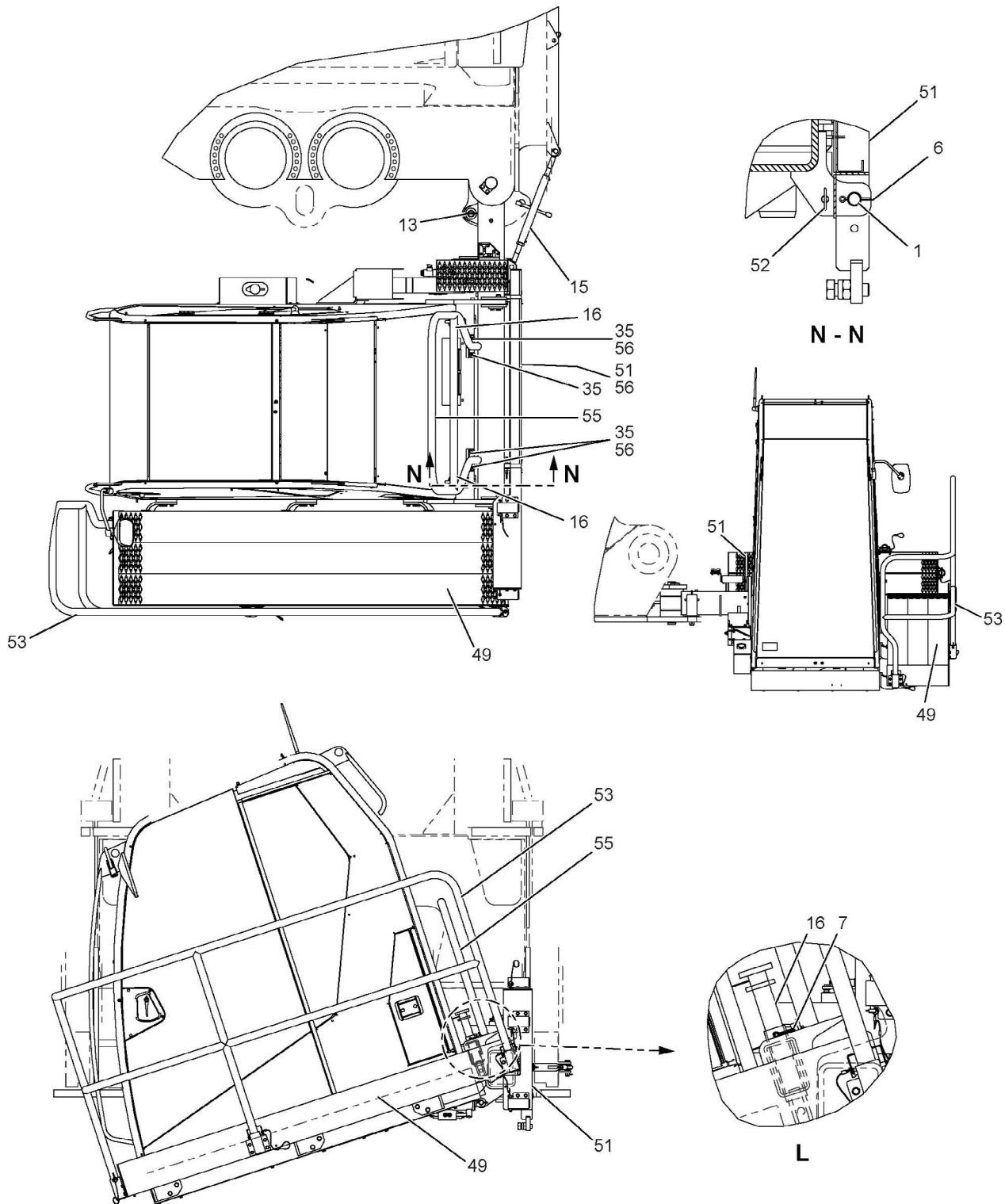
CLICK HERE TO **DOWNLOAD** THE COMPLETE MANUAL

2.22	HYD LINES INSTL ACCESS LOW PRESS (810274601) Rev G	2-193
2.23	HYD LINES INSTL ACC HIGH PRESS (810274611) Rev J	2-195
2.23.1	PIN HOSE STOWAGE (81042207) Rev B	2-197
2.24	HOIST ASSY LUFFING (810277081) Rev E	2-199
2.24.1	PAWL, HYD CYL (81041533) Rev A	2-203
2.24.2	ESI DRUM 6 (810259471) Rev E	2-205
2.24.3	HYD MOTOR 160 CC PIS EH24V (81041430) Rev C	2-209
2.24.4	DRUM ASSY LUFFING HOIST (810277041) Rev A	2-211
2.24.5	PAWL ASSY (810284644) Rev A	2-213
2.24.6	HYD EQUIP DRUM 6 (810345341) Rev M	2-215
2.25	HYD LINES INSTL SWIVEL ROTATING BED (810279561) Rev E	2-229
2.26	HYD LINES INSTL SWING MOTOR CIRCUIT (810279571) Rev E	2-231
2.27	HYD LINES INSTL SWING MOTOR CIRCUIT (84022262) Rev A	2-233
2.28	HYD LINES INSTL DRUM 1/3 (810280421) Rev D	2-235
2.29	HYD EQUIP VPC TROLLEY (810288801) Rev H	2-237
2.29.1	VALVE MANIFOLD ASSY 2 BK D03 2-3P4W AL (810136490) Rev B	2-239
2.29.2	VALVE BANK 2BK ASY D032-2P4W AL (810136500) Rev B	2-241
2.29.3	VALVE BANK 2 BANK D05 3POS 4WAY (810255720) Rev E	2-245
2.29.4	ENERGY CHAIN TRAY SUPPORT (810357471) Rev C	2-247
2.30	HYD LINES INSTL CARBODY PIN PULL BRK (810292181) Rev E	2-249
2.31	HYD LINES INSTL LIVE MAST CYLINDER (810293821) Rev G	2-253
2.32	HYD LINES INSTL LIVE MAST CYLINDER (810296331) Rev G	2-255
2.32.1	Q DISCON FITTING HYDR NIPPLE -12ORBX-8 (810210270) Rev B	2-257
2.33	HYD LINES INSTL DRUM 6 (810340161) Rev G	2-259
2.33.1	Q DISC FITTING HYDR COUPLER -12ORBX-12 (810039130) Rev B	2-261
2.33.2	PIN HOSE STOWAGE (81042207) Rev B	2-263
2.34	HYD LINES INSTL DRUM 4 (810426841) Rev C	2-265
2.34.1	Q DISC FITTING HYDR COUPLER -12ORBX-12 (810039130) Rev B	2-269
2.34.2	Q DISC FITTING HYD CPLR-20 CODE 62X-24 (810114700) Rev C	2-271
2.34.3	Q DISCON FITTING HYDR COUPLER -8ORBX-6 (810121640) Rev B	2-273
2.34.4	PIN HOSE STOWAGE (81042207) Rev B	2-275
2.35	HYDL LINES INSTL PUMP DISCH (81035571) Rev F	2-277

1. ROTATING STRUCTURE

ROTATING STRUCTURE				
Pos.	Part	BOM Qty.	Foot Note	Description
2540	81042177 ➡ page 1-196	1		GUARD ASSY VPC ROLLERS
2550	81042362 ➡ page 1-200	1		ENERGY CHAIN ASSY SHIPPING
2580	81042358 ➡ page 1-202	1		GUARD CYL & HOSE STOW
2610	81034048 ➡ page 1-204	1		DECAL ASSY (EN)
2650	810340485 ➡ page 1-207	1		DECAL ASSY FOR CRANESTAR (EN)

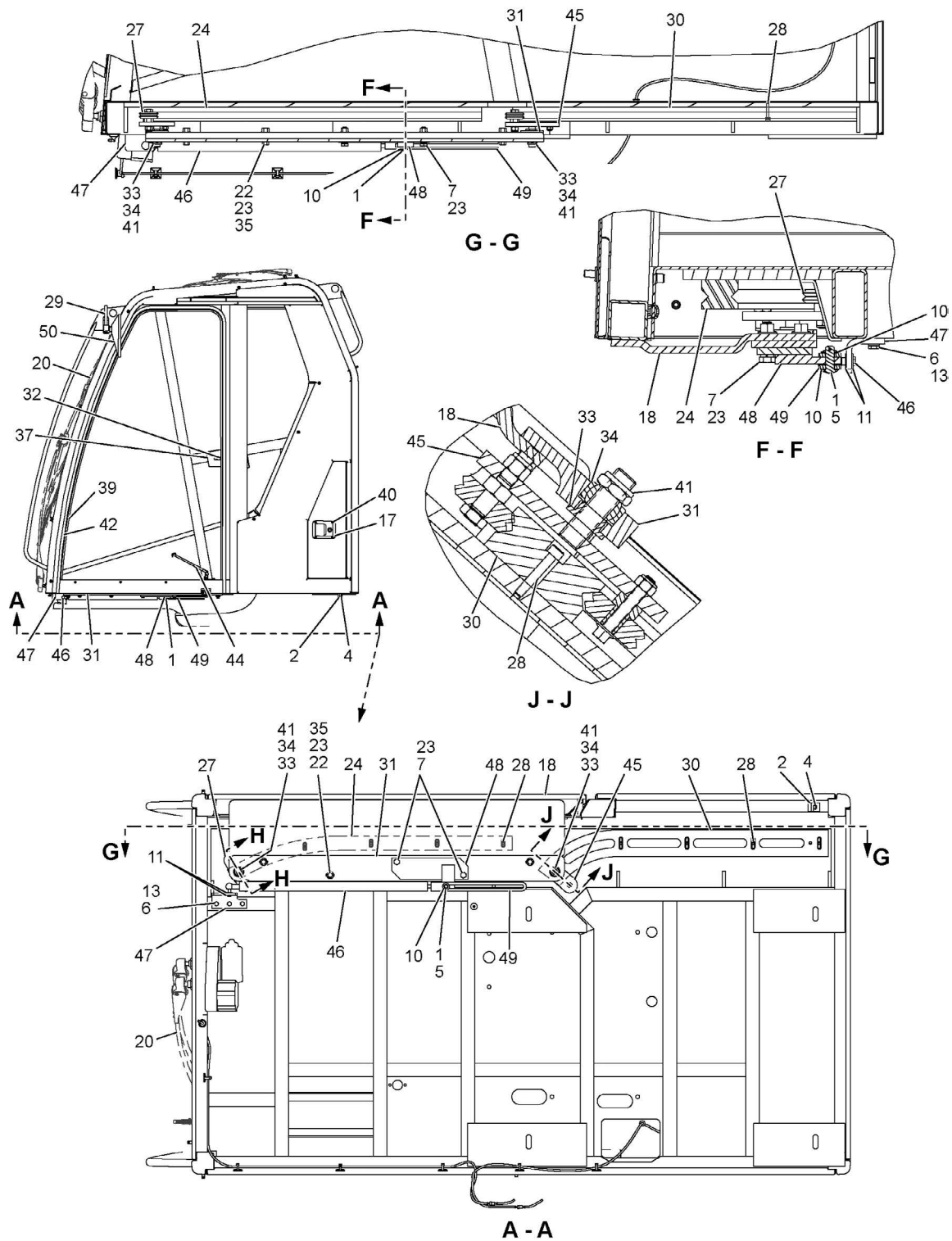
1. ROTATING STRUCTURE
 1.3 CAB MOUNTING ASSY (810239782) Rev H



ENU / 2016-03-18

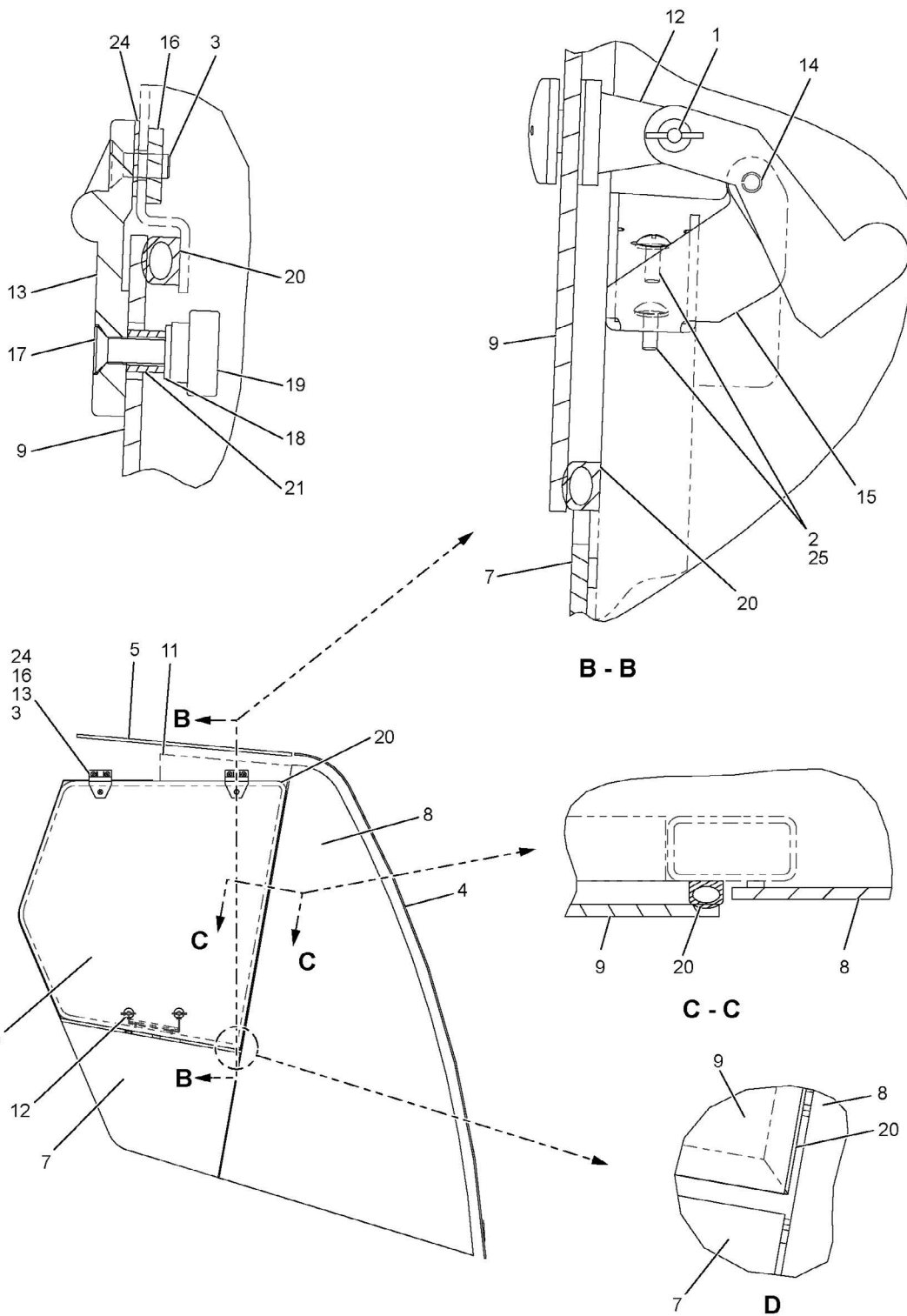
1. ROTATING STRUCTURE

1.3.1 CAB ASSY 24V CANBUS (810219121) Rev G



ENU / 2016-03-18

1. ROTATING STRUCTURE
1.3.1 CAB ASSY 24V CANBUS (810219121) Rev G



ENU / 2016-03-18

1. ROTATING STRUCTURE
1.3.1 CAB ASSY 24V CANBUS (810219121) Rev G

ROLLER ASSEMBLY (A037000) Rev B				
Pos.	Part	BOM Qty.	Foot Note	Description
1	5462740	1		HEX JAM NUT 7/16-20UNF GR 5
2	A026250	2		WHEEL GUIDE,SEALED BEARING
3	A026260	1		BUSHING,STATIONARY
4	A026270	1		BUSHING,ECCENTRIC JOURNAL
5	A027230	1		HFLGS
6	A027240	1		HEX LOCK NUT PA 8 8 ISO 7040
7	A029700	1		PLATE MOUNTING
8	A030240	1		STUD
9	A031990	1		HEX LOCK NUT PA 7/16-20UNF GR C

ENU / 2016-03-18

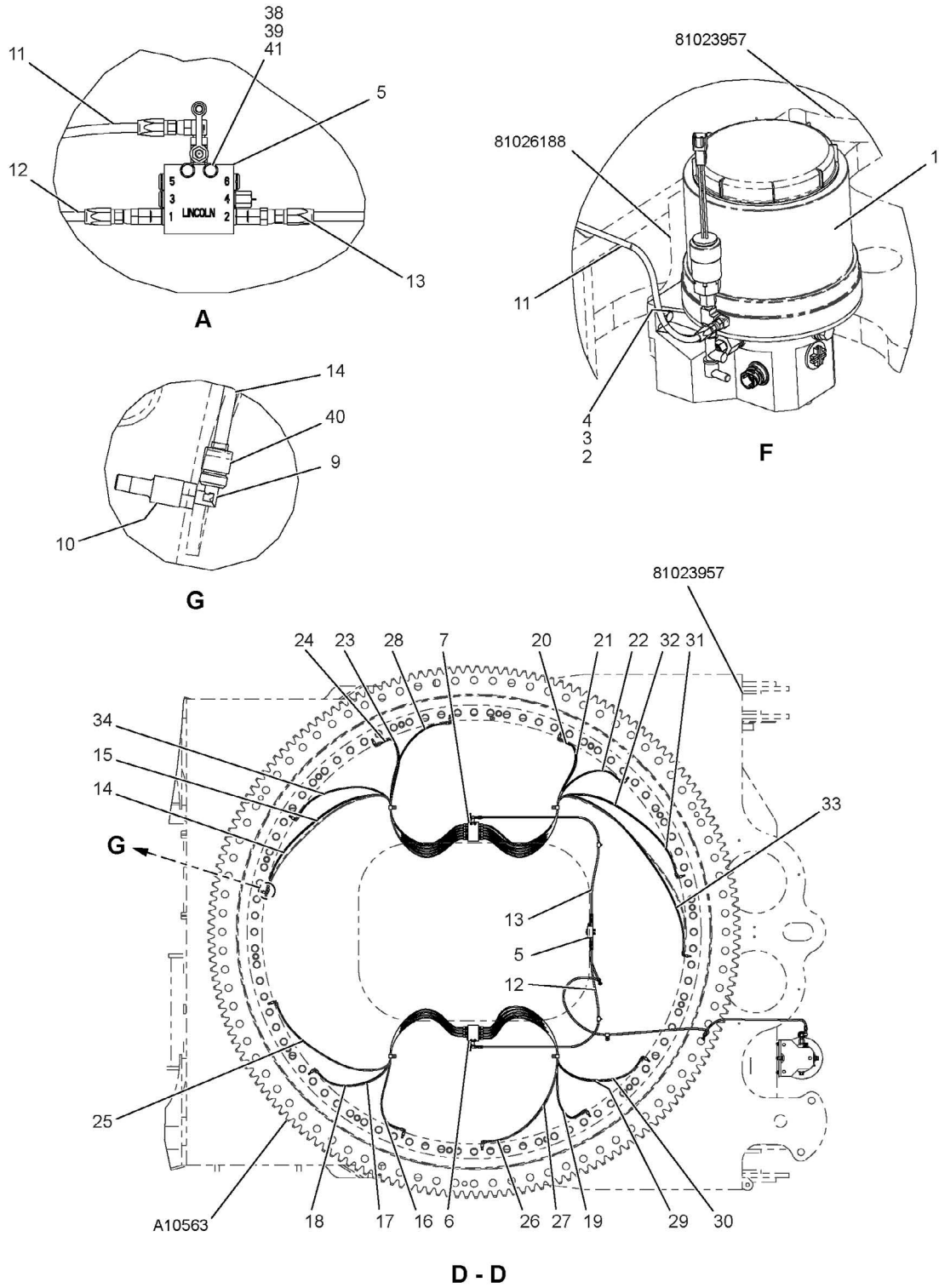
1. ROTATING STRUCTURE
1.3.1 CAB ASSY 24V CANBUS (810219121) Rev G

INSULATION ASSY CAB (810218772) Rev A				
Pos.	Part	BOM Qty.	Foot Note	Description
1	A025500	1		INSULATION LEFT FRONT
2	A025510	1		INSULATION LEFT REAR
3	A025520	1		INSULATION RIGHT FRONT
4	A025530	1		INSULATION RIGHT MIDDLE
5	A025540	1		INSULATION RIGHT REAR
6	A025550	1		INSULATION RIGHT REAR TOP
7	A025560	1		INSULATION REAR TOP
8	A025570	1		INSULATION REAR WALL LOWER
9	A025580	1		INSULATION REAR WALL RIGHT
10	A025590	1		INSULATION REAR WALL UPPER
11	A025740	1		INSULATION REAR WALL LEFT
12	A032070	1		INSULATION LOCKER DOOR

ENU / 2016-03-18

1. ROTATING STRUCTURE

1.4 LUBE SYST TURNTABLE BEARING (810239853) Rev D



ENU / 2016-03-18

1. ROTATING STRUCTURE
1.4.4 VALVE ASSY 12 BANK (A067180) Rev B

VALVE ASSY 12 BANK (A067180) Rev B				
Pos.	Part	BOM Qty.	Foot Note	Description
1	4285480	12		FITTING LUBE ADAPTER
2	4285540	1		FITTING LUBE ELBOW
3	4292250	1		FITTING SERVICE TEE
4	A070450	1		MANIFOLD AUTOLUBE 12 PORTS W/ CIP
5	A070460	2		FITTING LUBE -2 NPTF
6	A070470	2		CAP LUBE FITTING

ENU / 2016-03-18

1. ROTATING STRUCTURE
1.6.1 MOTOR HYD PISTON FIXED 75 CC/REV (A056890) Rev E

MOTOR HYD PISTON FIXED 75 CC/REV (A056890) Rev E				
Pos.	Part	BOM Qty.	Foot Note	Description
1	9722220095	2		PLUG
2	9632220005	2		PLUG
3	9632220246	1		GASKET, END CAP
4	9722220239	2		PLUG
5	9632220208	2		PLUG
6	9632220035	2		O-RING
7	7031232	1		KIT, CPRV CARTRIDGE 5364970 HYD MOTOR
8	9632220035	1		O-RING
9	7031235	1		O-RING
10	5834415	1	AU	SHAFT SEAL KIT (EN)
10-1	9754220027	1		O RING
10-2	9794220040	1		LIP SEAL A05689 HYD MOTOR
11	9722221350	1		SEAL, LIP
12	9754220027	1		O RING
13	5364675 → page 1-84	1	AU	SEAL KIT OVERHAUL
AU = PART NOT SHOWN				

1. ROTATING STRUCTURE
1.8.1 ESI COUNTERWEIGHT TRAY (810289431) Rev D

ESI COUNTERWEIGHT TRAY (810289431) Rev D				
Pos.	Part	BOM Qty.	Foot Note	Description
1	810289442	4		BRACKET VPC WARNING INDICATOR
2	810289450 → page 1-94	4		LIGHT ASSY VPC WARNING INDICATOR
3	810289460	1		WIRING HARNESS WVT2
4	7126131754	4		SCR SKT HD M5-0.8 X 50 10.9 PLN
5	7126211353	8		HHCS M12X30 8.8 FLZN 4017
6	7661130003	4		HEX NUT 5 8 ISO 4032
7	7661210003	8		HEX NUT M12 8FLZN ISO4032
8	7951130210	4		L WASHER 5 ST DIN 7980
9	7951210210	8		L WASHER 12 ST DIN 7980
10	6670070	36		STRAP NYLON CABLE TIE 7.4
11	7951130014	4		F WASHER 5 ST ISO 7089
12	7951210014	8		F WASHER 12 ST ISO 7089

1. ROTATING STRUCTURE

1.10.1 CYL HYD 3.0" BORE X4.75" STROKE DBL ACT (3856240) Rev FA

CYL HYD 3.0" BORE X4.75" STROKE DBL ACT (3856240) Rev FA				
Pos.	Part	BOM Qty.	Foot Note	Description
1	9372220087	1		HEAD
2	9372220163	2		PLUG (SAE-6)
3	9372220142	1		PISTON
4	9372220143	1		SCREW, SET
5	3856245 ▶ page 1-104	1	AU	SEAL KIT, CYLINDER

AU = PART NOT SHOWN

1. ROTATING STRUCTURE
1.12.1 BRACKET ASSY VPC-MAX WEAR PAD (81034766) Rev C

BRACKET ASSY VPC-MAX WEAR PAD (81034766) Rev C				
Pos.	Part	BOM Qty.	Foot Note	Description
1	810347682	1		BRACKET WELDMENT VPC-MAX WEAR PAD
2	81034790	1		WEAR PAD VPC-MAX
3	810347912	1		PLATE KEEPER 10MM
4	7127211153	2		SCR CAP HEX HD M12-1.75 X 20 10.9 PLN

ENU / 2016-03-18

1. ROTATING STRUCTURE
1.16 PLATFORM ASSY ROTATING BED (810291791) Rev L

PLATFORM ASSY ROTATING BED (810291791) Rev L				
Pos.	Part	BOM Qty.	Foot Note	Description
1	810298032 ➡ page 1-126	1		PLATFORM ASSY ROT BED LH
2	810300292 ➡ page 1-130	5		PLATFORM ASSY ROTATING BED
3	81040149 ➡ page 1-134	1		PLATFORM ASSY ROTATING BED
4	81041286 ➡ page 1-138	1		PLATFORM ASSY ROT BED REAR
5	810302622	1		LADDER 516 X 1558
6	810302632	1		ARM LADDER SUPPORT
7	810302822	2		BRACKET PLATFORM SUPPORT
8	810302932	4		BRACKET LADDER STOWAGE
9	810098250	1		BUMPER RUBBER 21.6 OD X 19.3 THK W/HOLE
10	810273132	4		BRACKET HANDRAIL SUPPORT
11	810285232	2		PIN 2 HOLE W/HD 16.0 DIA X 75.0 LG
12	810293652 ➡ page 1-128	5		LANYARD ASSY PIN
14	1438892	2		PIN 1 HOLE W/HD 0.500 DIA X 1.25 LG
15	5101750	2		LOCK PAD #1 W/KEY #2843
16	5620450	2		PIN COTTER 1/8 DIA X 1.50 LG
17	5620460	4		PIN COTTER 1/8 DIA X 1.75 LG
18	5621510	1		PIN COTTER 3/8 X 3.50 LG
20	81041142 ➡ page 1-144	1		LANYARD ASSY PIN
21	5640950	1		PIN 1 HOLE W/HD 1.625 DIA X 3.69 LG
22	7126171153	16		HHCS M8X20 8.8 FLZN 4017
23	7951170014	28		F WASHER 8 ST ISO 7089
24	7126211253	8		HHCS M12X25 8.8 FLZN 4017
25	7951210014	8		F WASHER 12 ST ISO 7089
26	7951210210	8		L WASHER 12 ST DIN 7980
31	7126191553	48		HHCS M10X40 8.8 FLZN 4017
32	7951190014	48		F WASHER 10 ST ISO 7089
33	7661190804	48		HEX LOCK NUT M10 10FLZN ISO7040
34	7128151154	1		SHCS 6 X 20 12.9
35	7661150003	1		HEX NUT M6 8FLZN ISO4032
36	81041140 ➡ page 1-146	2		LANYARD ASSY PIN
37	81037620	1		MOUNTING PAD M16X2.0 100
38	81016691	4		F WASHER GRIP STRUT DIAMOND PATTERN
39	7115152664	4		C BOLT SQUARE 5/16-18UNC X 3.25 GR 5
40	7660152500	4		HEX LOCK NUT PA 5/16-18UNC SS
41	7950150141	4		F WASHER 5/16 ST B18.21.1 NARROW
42	84025515 ➡ page 1-148	1		LADDER FOLDING ASSY
43	81040133	2		BRACKET LEFT REAR PLATFORM

ENU / 2016-03-18

1. ROTATING STRUCTURE
1.16.2 PLATFORM ASSY ROTATING BED (810300292) Rev B

LANYARD ASSY PIN (810293652) Rev B				
Pos.	Part	BOM Qty.	Foot Note	Description
1	810070010	1 FT		WIRE ROPE 3/64 7X7 SS VC-1/16 CLEAR
2	810070020	2		SLEEVE 1/16 OVAL ALUMINUM
3	A126470	1		PIN SAFETY .38 DIA X 3.00 LG

ENU / 2016-03-18

1. ROTATING STRUCTURE
1.16.5 LANYARD ASSY PIN (810293652) Rev B

LANYARD ASSY PIN (810293652) Rev B				
Pos.	Part	BOM Qty.	Foot Note	Description
1	810070010	1 FT		WIRE ROPE 3/64 7X7 SS VC-1/16 CLEAR
2	810070020	2		SLEEVE 1/16 OVAL ALUMINUM
3	A126470	1		PIN SAFETY .38 DIA X 3.00 LG

ENU / 2016-03-18

1. ROTATING STRUCTURE
1.16.8 LADDER FOLDING ASSY (84025515) Rev A

LANYARD ASSY PIN (81041140) Rev A				
Pos.	Part	BOM Qty.	Foot Note	Description
1	810070010	1 FT		WIRE ROPE 3/64 7X7 SS VC-1/16 CLEAR
2	810070020	2		SLEEVE 1/16 OVAL ALUMINUM
3	5636940	1		PIN QUICK RELEASE .375 DIA X 4.50 LG

ENU / 2016-03-18

1. ROTATING STRUCTURE
1.16.11 PLATFORM ASSY ROT BED INSIDE (81042241) Rev B

PLATFORM ASSY ROT BED (81042928) Rev A				
Pos.	Part	BOM Qty.	Foot Note	Description
1	81037620	4		MOUNTING PAD M16X2.0 100
2	81042621	1		PLATFORM WELDMENT ROT BED
3	7126211853	3		HHCS M12X55 8.8 FLZN 4017
4	7661210003	3		HEX NUT M12 8FLZN ISO4032

ENU / 2016-03-18

1. ROTATING STRUCTURE
1.18.1 PLATFORM ASSY CARBODY SIDE (810269922) Rev A

PLATFORM ASSY CARBODY SIDE (810269922) Rev A				
Pos.	Part	BOM Qty.	Foot Note	Description
1	5620460	4		PIN COTTER 1/8 DIA X 1.75 LG
2	5637970	2		PIN QUICK RELEASE 3/4 X 3-3/4
3	6124070	12		HHCS 5/16-18UNC X 1.25 GR 5
4	810292732	2		PIN COTTER 2 HOLE 28.6 DIA X 88.9 LG
5	81030137	1		PLATFORM WELDMENT CARBODY
6	81030184	2		BEAM ASSY FORK TUBE
7	7127292353	2		HHCS M24X80 10.9 FLZN4017
8	7660152500	12		HEX LOCK NUT PA 5/16-18UNC SS
9	7661290003	2		HEX NUT M24 8FLZN ISO4032
10	7950150040	12		L Washer 5/16in Nar HRC44-51
11	7950150141	12		F WASHER 5/16 ST B18.21.1 NARROW

ENU / 2016-03-18

1. ROTATING STRUCTURE
1.21.1 BUTTON SOCKET 28 OR 32 WR (A062780) Rev E

BUTTON SOCKET 28 OR 32 WR (A062780) Rev E				
Pos.	Part	BOM Qty.	Foot Note	Description
1	9539220048	1		PIN, COTTER (3/8X3-1/2)
2	90024534	1		PIN

ENU / 2016-03-18

1.24.2 Q DISC FITTING HYDR COUPLER -12ORBX-12 (810039130) Rev B

Q DISC FITTING HYDR COUPLER -12ORBX-12 (810039130) Rev B				
Pos.	Part	BOM Qty.	Foot Note	Description
1	810120130	1		FITTING QUICK DISC COUPLER

1. ROTATING STRUCTURE
1.27 GUARD CYL & HOSE STOW (81042358) Rev A

GUARD CYL & HOSE STOW (81042358) Rev A				
Pos.	Part	BOM Qty.	Foot Note	Description
1	81042359	1		TUBE NYLON 101.6 X 19.1 X 880
2	81042360	1		BRACKET M12-1.75 X 2 HOLES
3	81042361	1		BRACKET 6 X 181.1 X 310.5
4	81042367	1		BRACKET 6 X 181.1 X 310.5
5	81042408	1		BRACKET HOSE STOWAGE
6	7126211253	2		HHCS M12X25 8.8 FLZN 4017
7	7126271253	1		HHCS FULL THREAD 20 X 25 8.8
8	7127211253	4		HHCS M12X25 10.9 FLZN4017
9	7127211653	2		HHCS M12X45 10.9 FLZN4017
10	7951210014	2		F WASHER 12 ST ISO 7089
11	7951220014	6		F WASHER 14 ST ISO 7089
12	7951270014	1		F WASHER 20 ST ISO 7089

ENU / 2016-03-18

2. UPPERWORKS MACHINERY
2.1 TANK HYD ASSY 552 L (81037936) Rev C

TANK HYD ASSY 552 L (81037936) Rev C				
Pos.	Part	BOM Qty.	Foot Note	Description
1	1770022	1		COVER
2	1770032	1		GASKET COVER
3	3772200	4		PIPE NIPPLE 3.00 X 2.63 LG
4	4296170	1		FITTING ADPTR 1/8 24SA-02
5	4603740	1		GAUGE LEVEL OIL 21" HEIGHT
6	5638230	4		PIN SAFETY .25 DIA X 1.75 LG
7	810249260	2		VALVE QUICK DRAIN 1-11.5 NPT
8	810291512	4		HANDLE VALVE OPERATOR
9	810291522	4		HANDLE VALVE OPERATOR
10	810291540	1		GASKET FILTER COVER
11	810291552	1		COVER HEATER
12	810291560	1		GASKET HEATER
13	810291580	1		SPRING RETAINING FILTER
14	81029159	4		PLATE VALVE MOUNTING
15	810291602	4		VALVE SELECTOR BUTTERFLY
16	81029161	4		F WASHER 50.8ODX27.0IDX3.0 MM
17	81029163	4		O-RING 158.8MM X5.3MM(-362)
18	81038756	1		SWITCH ASSY PRESSURE, 29 PSI
19	810292890	4		STRAINER HYD FILTER 3.00 NPT
20	81037907X	1		TANK HYD WELDMENT 552 L
21	81037987	1		GUARD LEVEL SENSOR
22	81038029	1		FILTER ELEMENT 10 MICRON 43 PSI BYPASS
23	81038727	1		COVER FILTER
24	7104100811	5		SCREW MACH PAN HEAD SLOTTED #10-32UNF
25	7111100510	4		SLOT RMS #10-24 UNC X .63
26	7126191253	8		HHCS M10X25 8.8 FLZN 4017
27	7126191453	4		HHCS M10X35 8.8 FLZN 4017
28	7126241654	32		SHCS 16 X 45 8.8
29	7661170803	6		HEX LOCK NUT M8 8FLZN ISO7040
30	7661190804	4		HEX LOCK NUT M10 10FLZN ISO7040
31	7951170014	3		F WASHER 8 ST ISO 7089
32	7951190014	16		F WASHER 10 ST ISO 7089
33	A030720	1		VALVE CHECK .125 NPT AIR TANK
34	A119270	1		SENSOR HYD FLUID TEMP -40 TO 130 DEG C
35	A164380 ▶ page 2-9	1		BREATHER VENT TANK H2O VAPOR 35CFM
36	A164650	1		FITTING ADAPTER SPECIAL
37	A175152	3		COVER ACCESS 10" ASSY FOR HYD AND FUEL
38	2888300	2		HEX BUSHING PIPE .25 X .125
39	3753030	1		COUPLING PLUG 1/8 NPT
40	3753040	1		CAP DUST COUPLING
41	81042376	1		SHEET METAL 1.5 X 190.0 X 266.0

ENU / 2016-03-18

2. UPPERWORKS MACHINERY
2.2 HYD LINE INSTL ENERGY CHAIN (810113011) Rev C

HYD LINE INSTL ENERGY CHAIN (810113011) Rev C				
Pos.	Part	BOM Qty.	Foot Note	Description
1	7555515763	1		HOSE ASSY .75 ID X 154 LG
2	7555515763	1		HOSE ASSY .75 ID X 154 LG
3	7555516261	1		HOSE ASSY .75 ID X 162 LG
4	810356190	1		HOSE ASSY .75 ID X 152 LG 797TC STOCK
5	7555516863	1		HOSE ASSY .75 ID X 165 LG
6	810356200	1		HOSE ASSY .75 ID X 166 LG 797TC STOCK
7	7555517161	1		HOSE ASSY .75 ID X 171 LG
8	810039130 → page 2-17	7		Q DISC FITTING HYDR COUPLER -12ORBX-12
9	810249010	1		WIRING HARNESS WVB1
10	81025600X	1		CHAIN ENERGY VPC ROT BED/VPC TRAY
11	7447121203	2		FITTING ADAPTER 90 DEG -120RFS X -120RB
12	7447121202	1		FITTING ADPTR STRT 12 ORFS X 12 ORB
13	7447121233	1		FITTING ADAPTER 90 DEG -120 RFS X -120RF
14	7447121238	4		90 DEG LONG ELBOW - MALE ORS T
15	810186010	1		NAMEPLATE ID TAG ROUND #001
16	810186020	1		NAMEPLATE ID TAG ROUND #002
17	810187030	1		NAMEPLATE ID TAG ROUND #003
18	810186040	1		NAMEPLATE ID TAG ROUND #004
19	810186050	1		NAMEPLATE ID TAG ROUND #005
20	810186060	1		NAMEPLATE ID TAG ROUND #006
21	810186070	1		NAMEPLATE ID TAG ROUND #007

ENU / 2016-03-18

2. UPPERWORKS MACHINERY
2.3.2 PAWL ASSY LIVEMAST DRUM (810267791) Rev C

PAWL, HYD CYL (81041533) Rev A				
Pos.	Part	BOM Qty.	Foot Note	Description
1	3855985	1	AU	SEAL KIT
AU = PART NOT SHOWN				

ENU / 2016-03-18

2. UPPERWORKS MACHINERY
2.3.4 HYD EQUIP DRUM 4 (810426831) Rev F

HYD EQUIP DRUM 4 (810426831) Rev F				
Pos.	Part	BOM Qty.	Foot Note	Description
90	7661170803	3		HEX LOCK NUT M8 8FLZN ISO7040
91	7951170014	6		F WASHER 8 ST ISO 7089
93	810234540	1		FLANGE SPLIT
94	7128221654	4		SCR SKT HD M14-2 X 45 12.9 PLN
95	84026094	2		CLAMP 89MM
96	84027090	2		VALVE CHECK-120RB X-120RFS
97	7447080834	1		FITTING ADAPTER TEE -80RFS X -80RFS
98	7447121234	2		FITTING ADAPTER TEE -120RFS X -120RFS
99	7447120813	2		FITTING ADAPTER STRAIGHT -120RFS X -80RF
100	7447080838	1		FITTING ADAPTER 90 DEG -80RFS X-80RB
101	7447120801	1		FITTING ADAPTER STRAIGHT -120RFS X -80RB
102	7555302001	1		HOSE ASSY .050 ID X 20 LG
103	7555502802	1		HOSE ASSY CODED .75 X 28 LG
104	7555303801	1		HOSE ASSY CODED 0.50 ID X 38 LG

ENU / 2016-03-18

2. UPPERWORKS MACHINERY
2.3.4 HYD EQUIP DRUM 4 (810426831) Rev F

VALVE DIRECTIONAL CNTRL DO3 2 POS 4 WAY (810239070) Rev A				
Pos.	Part	BOM Qty.	Foot Note	Description
1	90038353	1		COIL 810239070 VALVE
2	90038354	1		SEAL KIT 810239070 VALVE

ENU / 2016-03-18

ENU / 2016-03-18

2. UPPERWORKS MACHINERY
2.5 HYD LINES INSTL VPC TROLLEY (810240561) Rev G

HYD LINES INSTL VPC TROLLEY (810240561) Rev G				
Pos.	Part	BOM Qty.	Foot Note	Description
50	7555207542	1		HOSE ASSY .375 ID X 75 LG
51	7555207942	1		HOSE ASSY .375 ID X 79 LG
52	7555207942	1		HOSE ASSY .375 ID X 79 LG
53	7555208942	1		HOSE ASSY .375 ID X 89 LG
54	7555302401	1		HOSE ASSY .50 ID X 24 LG
55	7555302601	1		HOSE ASSY CODED 0.50 X 26 LG
57	7447080834	1		FITTING ADAPTER TEE -80RFS X -80RFS
58	7555302002	1		HOSE ASSY .50 ID X 20 LG
59	810351300	2		CLAMP 19MM-19MM DIA GRP4 DIN3015
60	810351320	2		CLAMP 12.7MM-12.7MM DIA GRP4 DIN3015
61	810357302	1		SPACER CLAMP
62	810357312	1		COVER CLAMP
63	7126171053	2		HHCS M8X16 8.8 FLZN 4017
64	7126172750	2		SCR CP HX M8-1.25 X 110 8.8
65	7951170220	4		L WASHER 8 ST DIN 127B
66	81042579	1		HOSE ASSY VPC TROLLEY MTR
67	81042580	1		HOSE ASSY VPC TROLLET MTR
68	7555202041	1		HOSE ASSY .375 ID X 20 LG
69	7555202042	1		HOSE ASSY .375 ID X 17 LG
70	7555207342	1		HOSE ASSY .375 ID X 73 LG

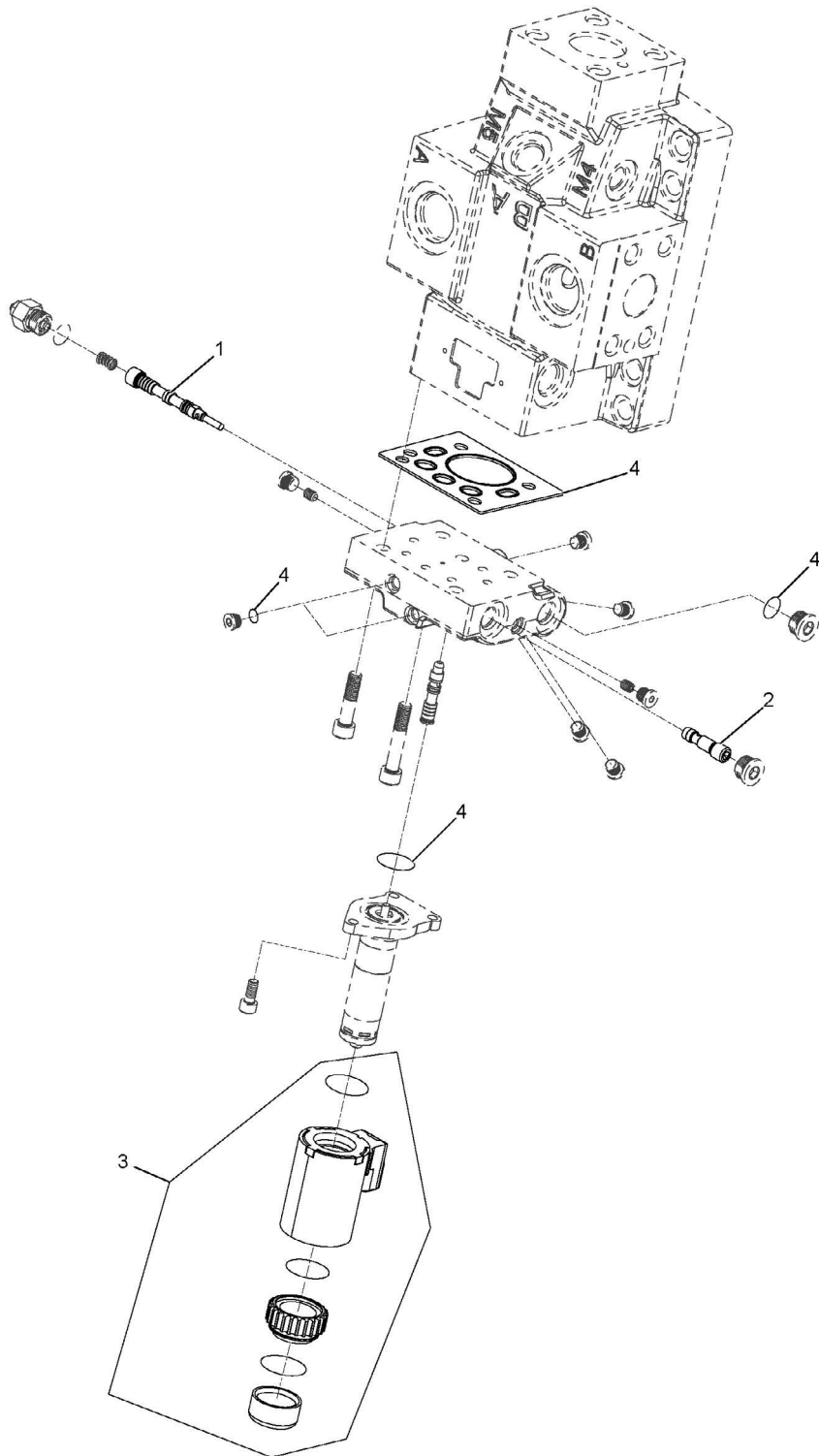
ENU / 2016-03-18

2. UPPERWORKS MACHINERY
2.6.2 GUIDE ASSY WIRE ROPE (810280071) Rev A

GUIDE ASSY WIRE ROPE (810280071) Rev A				
Pos.	Part	BOM Qty.	Foot Note	Description
1	5620440	4		PIN COTTER 1/8 DIA X 1.25 LG
2	5621490	4		PIN COTTER 3/8 DIA X 2.50 LG
3	810280082	1		SHAFT 69.72MM X 57.15MM X 518.00MMLG
4	810280092	1		GUIDE WIRE ROPE
5	810280102	1		BRACKET GUIDE WIRE ROPE
6	A066560	6		PIN SAFETY .313 DIA PIN X 1.75
7	A080912	2		PIN 2 HOLE .63 DIA X 5.12 LG
8	A129670	1		SHEAVE FOR .3125 ROPE
9	A132962	4		PIN 2 HOLE 25MM DIA X 70MM LG

ENU / 2016-03-18

2. UPPERWORKS MACHINERY
2.7.2 HYD MOTOR 250CC PIS VAR B1 24V (810256240) Rev C



ENU / 2016-03-18

2. UPPERWORKS MACHINERY
2.9 HYD EQUIP ROT BED VALVES (810268821) Rev N

HYD EQUIP ROT BED VALVES (810268821) Rev N				
Pos.	Part	BOM Qty.	Foot Note	Description
60	4282250	1		FITTING ADPTR STRT 80RFS X 80RB
61	4283890	1		FITTING ADPTR STRT 80RFS X 120RB
62	4283970	1		FITTING ADPTR STRT 160RB X 80RB
63	4283990	1		FITTING ADPTR STRT 60RFS X 100RB
64	4284560	1		FITTING ADPTR STRT 120RB X 80RB
65	6125530	3		HHCS 1/2-13UNC X 1.00 GR
66	7034800 ➡ page 2-113	1		HYD VALVE SELECT DS-100HP .06SAE PORT
67	7097810	3		F WASHER 1/2 ST SAE
68	810136292	1		PLATE VALVE SUPPORT
69	810337762 ➡ page 2-115	2		VALVE MANIFOLD 2 BK ASSY DO2
70	7126151153	8		HHCS M6X20 8.8 FLZN 4017
71	7447060401	2		FITTING ADAPTER STRAIGHT -60RFS X -4ORB
72	7447060601	4		FITTING ADPT STRAIGHT -60RFS X -60RB
73	7447060603	2		FITTING ADAPTER 90 DEG -60RFS X -60RB
75	7447060634	3		FITTING ADAPTER TEE -60RFS X -60RFS
77	7447080805	2		FITTING ADAPTER TEE -80RFS X -80RFS X-80
78	7447080834	1		FITTING ADAPTER TEE -80RFS X -80RFS
79	7661150804	8		HEX LOCK NUT M6 10FLZN ISO7040
80	7951150014	8		F WASHER 6 ST ISO 7089
81	A113480 ➡ page 2-117	1		VALVE DIRECTIONAL CNTRL SELECTOR
82	7127191354	8		SCR SKT HD M10-1.5 X 30 10.9 PLN
83	7447060651	2		FITTING ADPTR STRT 6 M ORFS X 06 F ORFS
84	5483420	2		HEX LOCK NUT PA 3/8-16UNC GR C
85	7094400	2		F WASHER 3/8 ST USS
86	81040102 ➡ page 2-119	1		VALVE 1 BANK ASSY D05
87	7447121235	1		FITTING ADAPTER TEE -120RFS X -120RFS
88	810122900	3		FITTING PLUG 4 ORB SAE INTERNAL HEX
89	7447161640	1		FITTING ADPTR STRAIGHT -160RFS X -160RB
90	810160940	1		FLANGE SPLIT CODE 61 20 4.0KSI
91	81035695	1		FITTING ADPTR 90 DEG 20 ORFS TO 20 #61
92	81042320	1		BRACKET VALVE COVER
93	7126172353	2		HHCS M8X80 8.8 FLZN 4017
94	7127191454	4		SCR SKT HD M10-1.5 X 35 10.9 PLN
95	7447121203	1		FITTING ADAPTER 90 DEG -120RFS X -120RB
96	7447121234	1		FITTING ADAPTER TEE -120RFS X -120RFS
97	7447121246	1		FITTING ADAPTER 45 DEG -120RFS X -120RFS
98	7447161601	2		FITTING ADPTR STRAIGHT -160RFS X -160RB
99	7447161633	3		FITTING ADAPTER 90 DEG
100	7447161634	2		FITTING ADAPTER TEE
102	7447202033	1		FITTING ADAPTER 90 DEG

ENU / 2016-03-18

2. UPPERWORKS MACHINERY
2.9.3 VALVE BANK 2BK ASY D032-2P4W AL (810136500) Rev B

VALVE BANK 2BK ASY D032-2P4W AL (810136500) Rev B				
Pos.	Part	BOM Qty.	Foot Note	Description
1	7034100	1		VALVE MANIFOLD 2
2	810239070 → page 2-107	2		VALVE DIRECTIONAL CNTRL DO3 2 POS 4 WAY
3	7110101405	8		SHCS 10-24UNC X 1.75 A574

ENU / 2016-03-18

2. UPPERWORKS MACHINERY
2.9.7 VALVE MANIFOLD 2 BK ASSY DO2 (810337762) Rev B

VALVE MANIFOLD 2 BK ASSY DO2 (810337762) Rev B				
Pos.	Part	BOM Qty.	Foot Note	Description
1	810337732	1		VALVE BANK EH DO2 4W 3P CTR DRN
2	810337742	1		VALVE MANIFOLD 2 BK AD02P021S
3	810337752	1		COVER PLANE D02 PARALLEL ALUM M
4	7128131454	8		CAPSCREW

ENU / 2016-03-18

2. UPPERWORKS MACHINERY
2.10 HYD EQUIP CARBODY VALVES (810268831) Rev F

HYD EQUIP CARBODY VALVES (810268831) Rev F				
Pos.	Part	BOM Qty.	Foot Note	Description
1	4284120	1		FITTING ADPT STRAIGHT -160RFS X -80RFS
2	4284210	2		FITTING ADAPTER STRAIGHT -120 X -80
3	4295320	5		FITTING PLUG -6 ORB
4	4295570	7		FITTING PLUG W/O-RING 08
5	4297210	6		FITTING PLUG -10 ORB
6	810136490 → page 2-127	5		VALVE MANIFOLD ASSY 2 BK D03 2-3P4W AL
7	810254400	1		VALVE DIVIDER 120 LPM
8	810293712	1		PLATE 8.0 MM
9	7126171253	22		HHCS M8X25 8.8 FLZN 4017
10	7126172550	3		HHCS 8 X 90 8.8
11	7447080801	4		FITTING ADAPTER STRAIGHT -80RFS X -80RB
12	7447080803	6		FITTING ADAPTER 90 DEG -80RFS X -80RB
13	7447080833	8		FITTING ADAPTER 90 DEG -80RFS X -80RFS
14	7447080834	1		FITTING ADAPTER TEE -80RFS X -80RFS
15	7447080838	1		FITTING ADAPTER 90 DEG -80RFS X-80RB
16	7447080846	4		FITTING ADAPTER 45 DEG
17	7447081001	10		FITTING ADAPTER STRAIGHT -80RFS X -10ORB
18	7447121233	2		FITTING ADAPTER 90 DEG -120 RFS X -120RF
19	7661170003	3		HEX NUT M8 8FLZN ISO4032
20	7661170804	22		HEX LOCK NUT M8 10FLZN ISO7040
21	7951170014	22		F WASHER 8 ST ISO 7089
22	7447081003	2		FITTING ADAPTER 90 DEG -80RFS X -100
23	7447080802	4		FITTING ADAPTER STRAIGHT -80RFS X -80RB

ENU / 2016-03-18

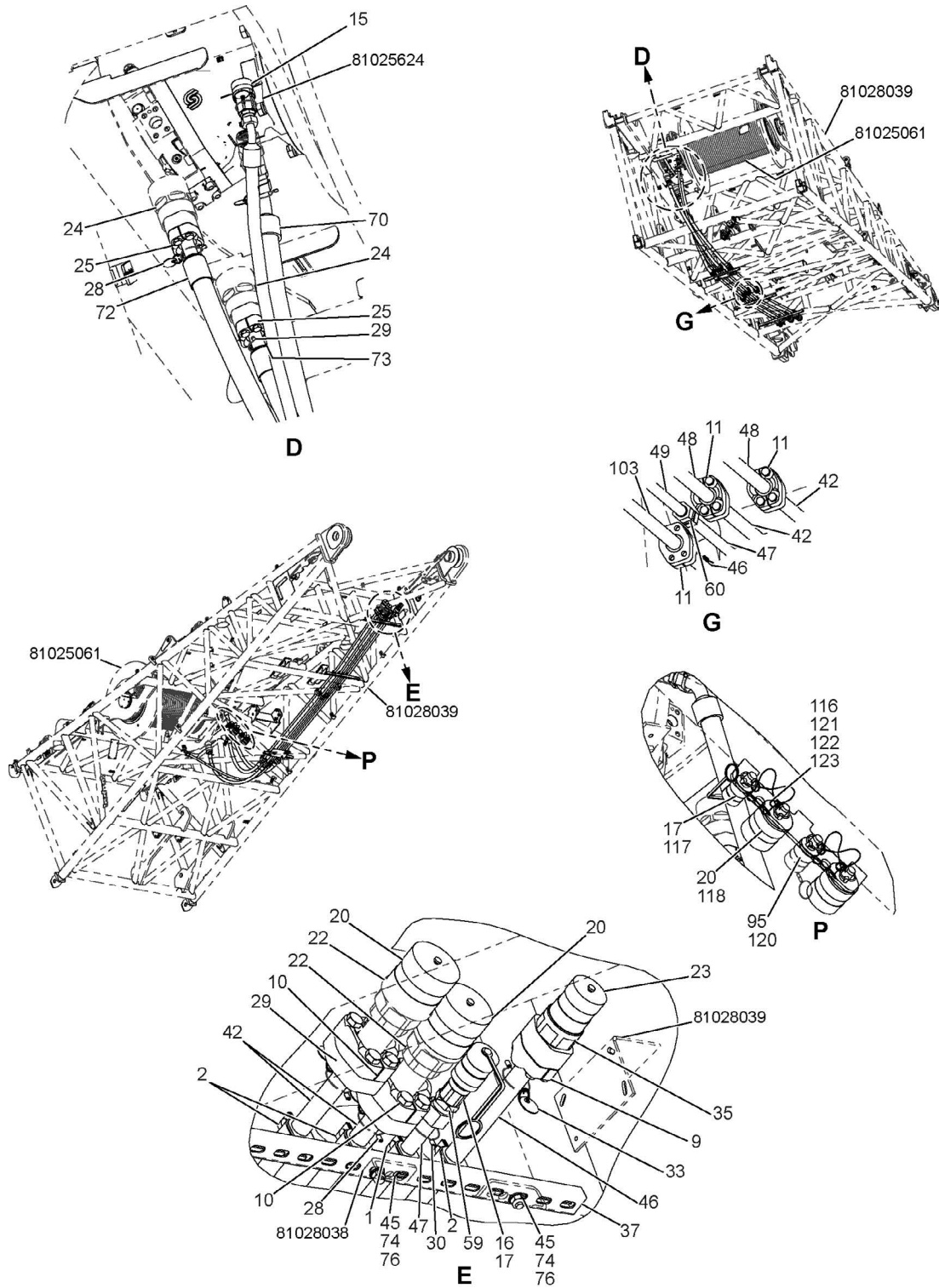
ENU / 2016-03-18

**2. UPPERWORKS MACHINERY
2.17 HYD PIPING ASSY (81027451A) Rev K**

HYD PIPING ASSY (81027451A) Rev K				
Pos.	Part	BOM Qty.	Foot Note	Description
55	7127221653	2		HHCS FULL THREAD 14 X 45 10.9
56	7127222950	6		SCR CAP HEX HD M14-2 X 130 10.9
60	5966920	4		O-RING 2.040 X 1.484 X .139
61	6125590	16		HHCS 1/2-13UNC X 1.75 GR 5
63	810115390	7		WIRE RING COTTER 1.00 OD
64	810122910	4		FITTING, PLUG
65	810186630	1		NAMEPLATE
66	810186640	1		NAMEPLATE
67	810186650	1		NAMEPLATE
68	810186660	1		NAMEPLATE
69	810186670	1		NAMEPLATE
70	810186680	1		NAMEPLATE
71	810186690	1		NAMEPLATE
72	81041238	7		LANYARD STAINLESS 12 IN
73	810279202	2		FLANGE CONNNECTOR BLOCK -20 CODE 62
74	81037652	4		FITTING PLUG MOUNTING, -12 QD
75	81037653	2		FITTING PLUG MOUNTING, -24 QD
76	81037824	1		FITTING PLUG MOUNTING, -16 QD
77	81041239	7		PIN LOCKING 0.25 DIA X 1.38L
78	81041490	1		BRACKET HOSE STOWAGE
79	81042207 ➡ page 2-161	7		PIN HOSE STOWAGE
80	7951210014	12		F WASHER 12 ST ISO 7089
81	7128211354	10		SHCS 12 X 30 12.9
82	7951170014	2		F WASHER 8 ST ISO 7089
83	7447081069	1		FITTING STRAIGHT 80RFS X M22
84	7555317061	1		HOSE ASSY .50 ID X 170 LG
85	7555317763	1		HOSE ASSY .50 ID X 177 LG
86	7447080833	1		FITTING ADAPTER 90 DEG -80RFS X -80RFS
87	3456860	1		CLAMP TUBE 1.38 DIA

ENU / 2016-03-18

2. UPPERWORKS MACHINERY
2.19 HYD LINES INSTL DRUM 1 PREP (810274541) Rev H



ENU / 2016-03-18

2. UPPERWORKS MACHINERY
2.19.4 PIN HOSE STOWAGE (81042207) Rev B

PIN HOSE STOWAGE (81042207) Rev B				
Pos.	Part	BOM Qty.	Foot Note	Description
2	81041503	1		PIN 1 HOLE 25.0 DIA X 60.0 LG
3	7661210804	1		HEX LOCK NUT M12 10FLZN ISO7040

ENU / 2016-03-18

2. UPPERWORKS MACHINERY
2.20.3 Q DISC FITTING HYD CPLR-20 CODE 62X-24 (810114700) Rev C

Q DISC FITTING HYD CPLR-20 CODE 62X-24 (810114700) Rev C				
Pos.	Part	BOM Qty.	Foot Note	Description
1	810120190	1		FITTING QUICK DISC COUPLER

ENU / 2016-03-18

2. UPPERWORKS MACHINERY
2.23 HYD LINES INSTL ACC HIGH PRESS (810274611) Rev J

HYD LINES INSTL ACC HIGH PRESS (810274611) Rev J				
Pos.	Part	BOM Qty.	Foot Note	Description
3	7447060634	1		FITTING ADAPTER TEE -60RFS X -60RFS
4	4284640	2		FITTING ADPTR 90 DEG 80RES X 80RFS
5	7555213403	1		HOSE ASSY .38 ID X 134 LG
7	7555214403	1		HOSE ASSY .38 ID X 144 LG
8	7555303771	1		HOSE ASSY .50 ID X 37 LG
9	7555303471	1		HOSE ASSY .50 ID X 34 LG
10	7555303771	1		HOSE ASSY .50 ID X 37 LG
11	7555303771	1		HOSE ASSY .50 ID X 37 LG
12	7555304071	1		HOSE ASSY .50 ID X 40 LG
13	7555304071	1		HOSE ASSY .50 ID X 40 LG
14	7555307570	1		HOSE ASSY CODED .50 ID X 75 LG
16	7555603171	1		HOSE ASSY CODED 1.00 ID X 31LG
20	4282320	2		FITTING ADPTR STRT 120RFS X 120RB
26	7555512600	1		HOSE ASSY .75 ID X 126.0 LG
27	7555512600	1		HOSE ASSY .75 ID X 126.0 LG
28	81003913	2		Q DISCON FITTING COUPLER 12 ORB X 12
29	810186140	1		NAMEPLATE ID TAG ROUND #014
30	810186150	1		NAMEPLATE TAG ROUND #015
37	4285990	1		FITTING ADPTR STRT 60RFS X 120RB
38	7447060646	1		FITTING ADPTR 45 DEG -60RFS X -60RFS
40	810272110	1		CLAMP 22MM-22MM DIA GRP3 DIN3015
41	810275920	1		PLATE SEE DRW 81027589
42	7555307070	1		HOSE ASSY .50 ID X 75 LG
43	7447080833	2		FITTING ADAPTER 90 DEG -80RFS X -80RFS
44	7126171753	2		HHCS M8X50 8.8 FLZN 4017
45	7094300	2		F WASHER 5/16 ST USS
46	81037652	2		FITTING PLUG MOUNTING, -12 QD
47	81042207 → page 2-197	2		PIN HOSE STOWAGE
48	81041239	2		PIN LOCKING 0.25 DIA X 1.38L
49	810115390	2		WIRE RING COTTER 1.00 OD
50	81041238	1		LANYARD STAINLESS 12 IN
51	810272150	1		CLAMP 30 MM-30MM DIA GRP4 DIN3015
52	810275930	1		PLATE WELD GP 4 DIN3015

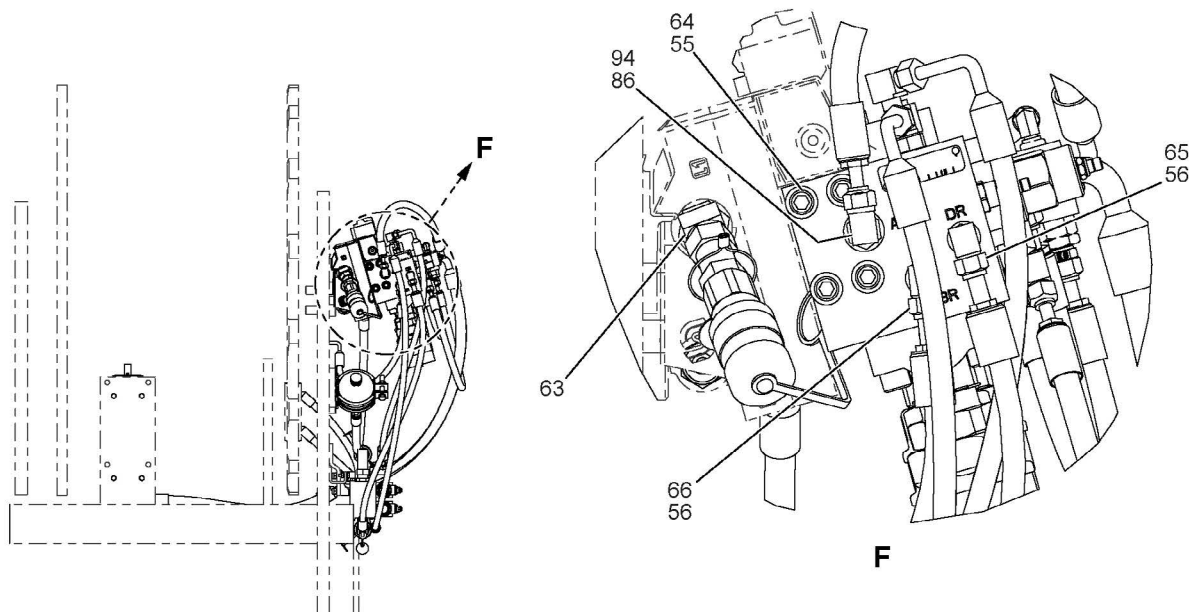
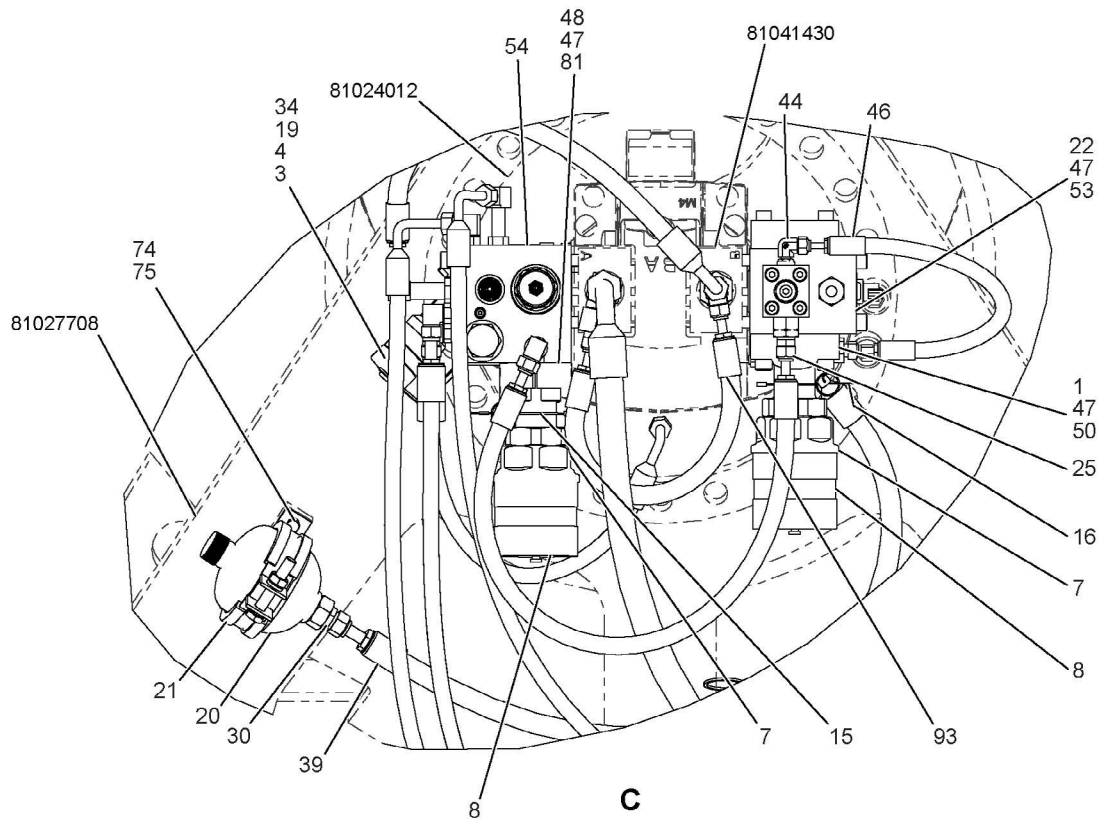
ENU / 2016-03-18

2. UPPERWORKS MACHINERY
2.24.2 ESI DRUM 6 (810259471) Rev E

ESI DRUM 6 (810259471) Rev E				
Pos.	Part	BOM Qty.	Foot Note	Description
1	810161360	1		SWITCH LIMIT ARM FIXED
2	810245252 → page 2-207	1		LIMIT SWITCH SUBASSY 90 DEG CORD GRIP
3	810249310	1		WIRING HARNESS WBB4
5	810340642	1		BRACKET PAWL LIMIT
6	7126211353	2		HHCS M12X30 8.8 FLZN 4017
7	7126131654	4		SHCS M5 - .8 X 45MM A2 SS DIN 912
8	7661130804	4		NUT LOCK NYL INS M5-0.8 ZC
9	7661210804	2		HEX LOCK NUT M12 10FLZN ISO7040
10	7951130014	4		F WASHER 5 ST ISO 7089
11	7951210014	2		F WASHER 12 ST ISO 7089

ENU / 2016-03-18

2. UPPERWORKS MACHINERY
2.24.6 HYD EQUIP DRUM 6 (810345341) Rev M



ENU / 2016-03-18

2. UPPERWORKS MACHINERY
2.24.6 HYD EQUIP DRUM 6 (810345341) Rev M

VALVE BANK 2 BK D03 2P4W 3P4W (810136400) Rev C				
Pos.	Part	BOM Qty.	Foot Note	Description
1	7034100	1		VALVE MANIFOLD 2
2	810239070 → page 2-227	1		VALVE DIRECTIONAL CNTRL DO3 2 POS 4 WAY
3	810270870	1		VALVE PROPORTIONAL 3 POS, 4 WAY, 30 LPM
4	7110101405	8		SHCS 10-24UNC X 1.75 A574

ENU / 2016-03-18

2. UPPERWORKS MACHINERY
2.28 HYD LINES INSTL DRUM 1/3 (810280421) Rev D

HYD LINES INSTL DRUM 1/3 (810280421) Rev D				
Pos.	Part	BOM Qty.	Foot Note	Description
3	4316470	2		SPLIT FLANGE KT -24 5/8-11UNC X2.25 6KSI
4	4316490	2		SPLIT FLANGE KIT -20 1/2-13 X 1.75
6	810114770	2		SPLIT FLANGE ASSY -20 12X45 414BAR
19	7555201301	1		HOSE ASSY .38 ID X 13 LG
22	1933392	1		TUBE PREFORMED 1.25" OD X .187 WALL
23	81038034	1		TUBE PREFORMED 1.25 OD X .187 WALL 4130
25	7555202002	1		HOSE ASSY .375 ID X 20.00 LG
26	7555202401	1		HOSE ASSY .38 ID X 24 LG
27	7555203201	1		HOSE ASSY CODED F PORT FLUSHING
28	7555301802	1		HOSE ASSY .50 ID X 18 LG
29	7565308463	1		HOSE ASSY 1.25 ID X 84 LG
30	7565308863	1		HOSE ASSY 1.25 ID X 88 LG

ENU / 2016-03-18

2. UPPERWORKS MACHINERY
2.29.3 VALVE BANK 2 BANK D05 3POS 4WAY (810255720) Rev E

VALVE BANK 2 BANK D05 3POS 4WAY (810255720) Rev E				
Pos.	Part	BOM Qty.	Foot Note	Description
1	81025576	2		VALVE DIR CTRL D05 3P4W
2	81026821	1		MANIFOLD BLOCK 2 BANK D05
3	81026017	2		ADAPTER D05 A B SHUTTLE
4	6148540	8		SHCS 1/4-20UNC X 2.75 A574

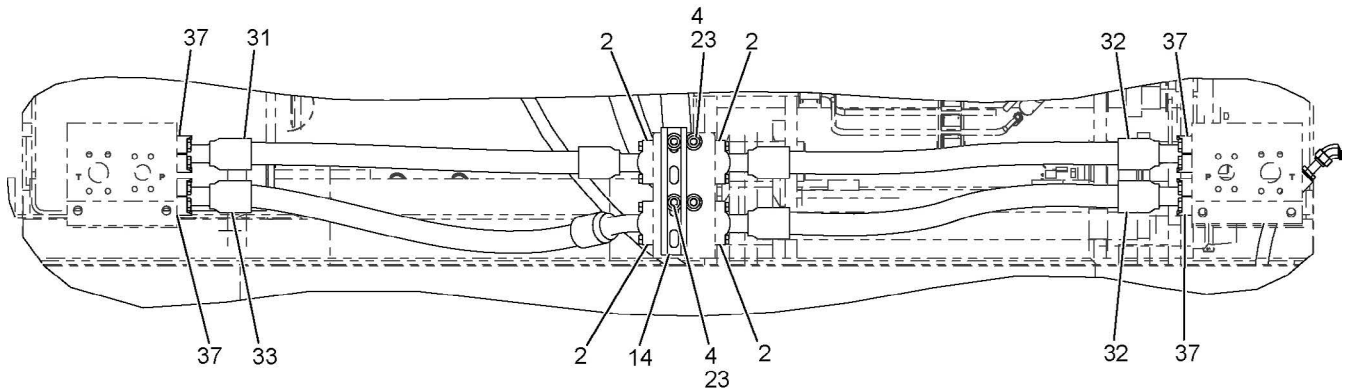
ENU / 2016-03-18

2. UPPERWORKS MACHINERY
2.32 HYD LINES INSTL LIVE MAST CYLINDER (810296331) Rev G

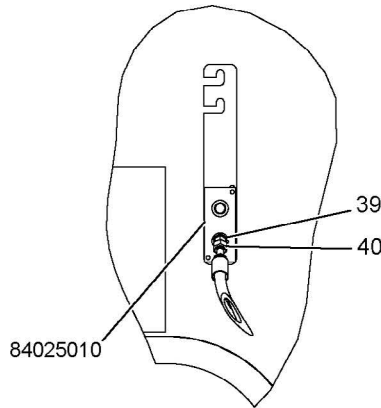
HYD LINES INSTL LIVE MAST CYLINDER (810296331) Rev G				
Pos.	Part	BOM Qty.	Foot Note	Description
1	3455150	4		CLAMP TUBE 0.50 DIA
8	810210270 → page 2-257	2		Q DISCON FITTING HYDR NIPPLE -12ORBX-8
10	81042182	1		TUBE PREFORMED .50 X .083 WALL
11	81042157	1		TUBE PREFORMED .50 OD X .083 WALL
17	7447081203	1		FITTING ADAPTER 90 DEG -8ORFS X -120RB
18	7555308381	1		HOSE ASSY .50 ID X 83 LG
19	7555301782	1		HOSE ASSY CODED 0.50 ID X 17 LG
20	7447080810	2		FITTING ADAPTER 90° -8ORFSMALE X-8ORFS M
21	810351320	1		CLAMP 12.7MM-12.7MM DIA GRP4 DIN3015
22	810276050	1		COVER PLATE DIN3015 GROUP 4
23	7126171753	1		HHCS M8X50 8.8 FLZN 4017
24	81042184	1		TUBE PREFORMED .50 X .083 WALL
25	81042185	1		TUBE PREFORMED .50 X .083 WALL
26	4284560	2		FITTING ADPTR STRT 120RB X 80RB
27	810270400	2		CLAMP 1.5 DIA DIN3015
28	810270640	2		PLATE DIN 3015 GROUP 3
29	7951190014	4		F WASHER 10 ST ISO 7089
30	7126192350	4		HHCS M10X80 8.8 FLZN 4014
31	810186530	1		NAMEPLATE
32	810186540	1		NAMEPLATE
33	810210290	2		DUST CAP 8 SCREW TO CONNECT

ENU / 2016-03-18

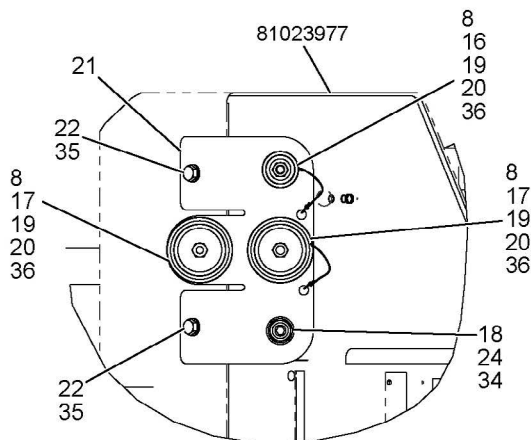
2. UPPERWORKS MACHINERY
2.34 HYD LINES INSTL DRUM 4 (810426841) Rev C



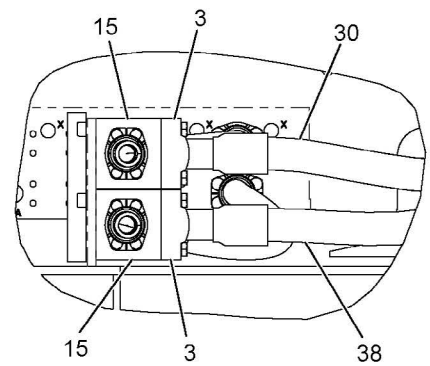
A - A



F - F



G - G



E - E

ENU / 2016-03-18

CLICK HERE TO **DOWNLOAD** THE COMPLETE MANUAL

- Thank you very much for reading the preview of the manual.
- You can download the complete manual from: www.heydownloads.com by clicking the link below



- Please note: If there is no response to CLICKING the link, please download this PDF first and then click on it.

CLICK HERE TO **DOWNLOAD** THE COMPLETE MANUAL

2. UPPERWORKS MACHINERY
2.34.4 PIN HOSE STOWAGE (81042207) Rev B

PIN HOSE STOWAGE (81042207) Rev B				
Pos.	Part	BOM Qty.	Foot Note	Description
2	81041503	1		PIN 1 HOLE 25.0 DIA X 60.0 LG
3	7661210804	1		HEX LOCK NUT M12 10FLZN ISO7040

ENU / 2016-03-18

2. UPPERWORKS MACHINERY
2.37 HYD LINES INSTL VPC-MAX PREP (81037248) Rev G

HYD LINES INSTL VPC-MAX PREP (81037248) Rev G				
Pos.	Part	BOM Qty.	Foot Note	Description
1	5621090	4		PIN COTTER 1/4 DIA X 2.50 LG
2	81037152	4		PIN 1 HOLE W/HD 38.0 DIA X 127.0 LG
3	84036370	2		LATCH VPC-MAX
5	7447100851	2		FITTING ADAPTER STRAIGHT -10M ORFS X -08
6	7951190010	4		F WASHER 10 ST ISO 7089
7	7126191250	4		HHCS 10 X 25 8.8
8	7126171853	1		HHCS M8-1.25 X 55 8.8 ZC
9	81042178	1		HOSE ASSY VPC-MAX PREP HP
11	81042106	1		BRACKET VPC MAX QD
12	81041928	1		HOSE ASSY VPC-MAX PREP HP
13	81041927	1		HOSE ASSY VPC-MAX PREP HP
14	81041926	1		HOSE ASSY VPC-MAX PREP HP
16	810293140	6		FITTING STRAIGHT -12 ORFS X -12 ORB
17	810276040	1		COVER PLATE DIN3015 GROUP 3
18	810272080	1		CLAMP 19MM-19MM DIA GRP3 DIN3015
19	810039150	6		CAP DUST -12
20	810039140 → page 2-287	6		Q DISCON FITTING HYD NIPPLE -12ORB X-12
21	84036420	2		PLATE 3.2 X 96.3 X 365.0
22	7126171053	4		HHCS M8X16 8.8 FLZN 4017
23	7951170014	4		F WASHER 8 ST ISO 7089
24	84019084	1		HOSE ASSY VPC-MAX PREP LP
25	84019084	1		HOSE ASSY VPC-MAX PREP LP
26	84036435	2		PIN WITH HEAD 9.5 X 82.5

2. UPPERWORKS MACHINERY
2.40 HYD LINES INSTL TANK RETURN (810382664) Rev K

HYD LINES INSTL TANK RETURN (810382664) Rev K				
Pos.	Part	BOM Qty.	Foot Note	Description
1	3455130	2		CLAMP TUBE 1.25 DIA
2	3455160	2		CLAMP TUBE 1.50 DIA
3	3456850	1		CLAMP TUBE 0.88 DIA
4	3456860	2		CLAMP TUBE 1.38 DIA
5	4295330	2		FITTING PLUG ORB 20
6	4295500	2		FLANGE ASSY SPLIT CODE 61 W/HARDWARE
7	810122920	7		FITTING PLUG 8 ORB, SAE INTERNAL HEX
8	4295820	3		FITTING O-RING PLUG 16
9	4316370	2		SPLIT FLANGE KIT -16 7/16-14 X 1.75
10	4316410	1		FLANGE ASSY SPLIT CODE 61 W/HARDWARE
11	4316440	1		FLANGE ASSY SPLIT CODE 61 W/HARDWARE
12	4316470	1		SPLIT FLANGE KT -24 5/8-11UNC X2.25 6KSI
13	5966930	4		O-RING 1.852 X 1.296 X .139 X 90
14	5968010	9		O-RING 2.790X2.234X.139X90
15	6124700	8		HHCS 3/8-16UNC X 3.00 GR5
16	6125790	16		HHCS 1/2-13UNC X 4.50 GR 5
17	6149190	4		SHCS 1/2-13UNC X 1.75 A574
18	81003914	4		Q DISCON FITTING NIPPLE 12 ORB X 12
19	81003915	4		CAP DUST 12
23	810058230	12		CLAMP TUBE 1.19 DIA
27	810160960	4		FLANGE SPLIT CODE 61 32 3.0KSI
28	81018610	1		NAMEPLATE ID TAG ROUND #010
29	810186200	1		NAMEPLATE ID TAG ROUND #020
35	810216670	2		Q DISCON FITTING COUPLER 16 CODE 62 X20
37	810270380	4		CLAMP 1.25 DIA DIN3015
38	810270560	2		PLATE GROUP 3 DIN3015
39	810270640	3		PLATE DIN 3015 GROUP 3
40	810270740	4		CLAMP STACKING BOLT DIN3015 GROUP 3
41	810271010	8		CHANNEL ANCHOR CLAMP ADAPTER
42	810292830	1		TUBE PREFORMED 1.25 OD X .120 WALL 4130
43	810293140	3		FITTING STRAIGHT -12 ORFS X -12 ORB
44	810294230	1		FLANGE 32 CODE 61 X -20 ORB
45	810297112	2		TUBE PREFORMED 1.25 OD X .120 WALL 4130
48	81035699	3		FITTING ADPTR 90 DEG 24 ORFS TO 32 #61
49	81035710	1		FITTING ADPTR 90 DEG 24 ORFS TO 24 #62
50	81036263	1		FITTING ADPTR STRT MALE 24 ORFS TO 32#61
51	81037949	1		MANIFOLD BLOCK HEADER 270 DEG
53	81039171 ▶ page 2-299	2		MANIFOLD BLOCK 2 BAR CHECK 12 PORT
54	81039257	2		FLANGE PLATE CONNECTOR CODE 61-32 SP
55	81039289	1		MANIFOLD BLOCK HEADER 180 DEG
56	81039399	1		BRACKET MANIFOLD
57	81039409	2		TUBE PREFORMED 1.25 OD X .120 WALL 4130

ENU / 2016-03-18

2. UPPERWORKS MACHINERY
2.42 HYD LINES INSTL ROTATING BED DRUM 5 (81033602) Rev D

HYD LINES INSTL ROTATING BED DRUM 5 (81033602) Rev D				
Pos.	Part	BOM Qty.	Foot Note	Description
1	3455110	4		CLAMP TUBE 0.75 DIA
2	3455130	6		CLAMP TUBE 1.25 DIA
3	3456860	2		CLAMP TUBE 1.38 DIA
4	4295500	4		FLANGE ASSY SPLIT CODE 61 W/HARDWARE
5	5966920	4		O-RING 2.040 X 1.484 X .139
6	81003914	1		Q DISCON FITTING NIPPLE 12 ORB X 12
7	81003915	1		CAP DUST 12
8	81004308	2		CAP DUST SIZE 24
9	81011471	2		Q DISCON FITTING 24 CODE 62 X -20
10	810160850	2		FLANGE SPLIT CODE 62 -20 6.0 KSI
11	810186400	1		NAMEPLATE ID TAG ROUND #040
12	810186410	1		NAMEPLATE ID TAG ROUND #041
13	810186420	1		NAMEPLATE ROUND #042
14	810186430	1		NAMEPLATE ROUND #043
15	810269880	1		CHANNEL 25.4 DP X 355.6 LG
16	810293140	2		FITTING STRAIGHT -12 ORFS X -12 ORB
17	81040921	1		TUBE PREFORMED .75 OD X .095 WALL
18	81040922	1		TUBE ASSY .75 OD X .095 WALL
19	81041339	1		TUBE PREFORMED 1.25 OD X .187 WALL
20	81041677	1		TUBE PREFORMED 1.25 OD X .187 WALL
21	81042477	2		MANIFOLD BLOCK 20 CODE 62 MNT HOLE
22	81042489	1		BRACKET ROTATING UNION MNT
23	7126211350	8		HHCS 12 X 30 8.8
24	810288410	2		SBCS M12-1.75 X 30 10.9 SS
25	7126212650	8		HHCS M12X100 8.8 FLZN4014
26	7447121203	2		FITTING ADAPTER 90 DEG -12ORFS X -12ORB
27	7447121209	2		FITTING ADPTR STRT 12ORFS X 12ORFS
28	7579404541	1		HOSE ASSY 1.00 ID X 44 LG
29	81042781	1		HOSE ASSY 1.00 ID X 50 LG
31	7555511400	1		HOSE ASSY .75 ID X 114 LG
32	A175600	2		FLANGE SPLIT CODE 61 16 10 X 30 350 BAR
33	4316490	1		SPLIT FLANGE KIT -20 1/2-13 X 1.75
34	810256110	1		TUBE PREFORMED 1.25 OD X.120 W C61/C62
35	810270380	1		CLAMP 1.25 DIA DIN3015
36	810270560	1		PLATE GROUP 3 DIN3015
37	810270640	1		PLATE DIN 3015 GROUP 3
38	7126192153	2		HHCS M10X70 8.8 FLZN 4017
39	7555510800	1		HOSE ASSY .75 X 108 LG
40	4284820	1		FITTING ADPTR STRT 16ORB X 12ORB
41	810052050	1		Q DISCON FITTING NIPPLE 16 ORB X 16
42	810056490	1		CAP DUST -16

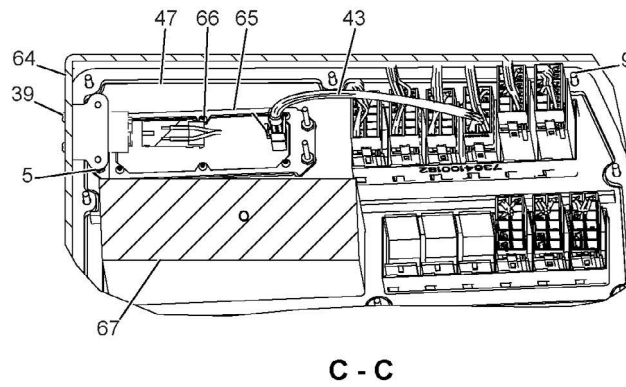
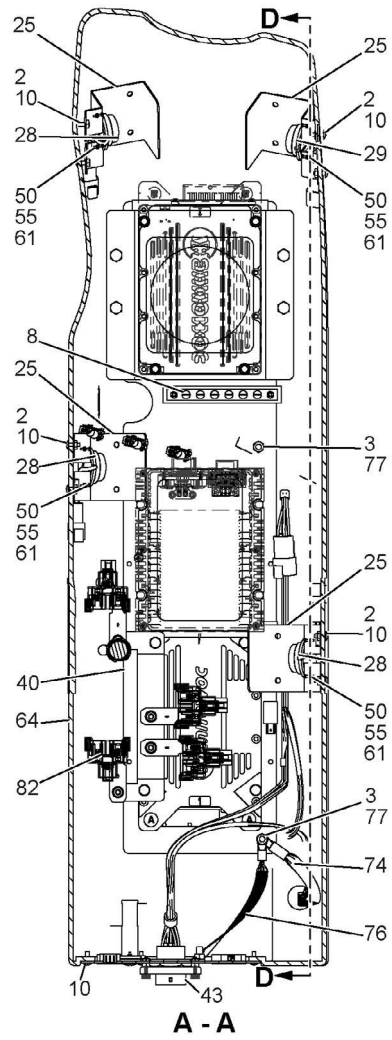
ENU / 2016-03-18

3. CONTROLS, ELECTRICAL
3.3 CONSOLE CONTROL ASSY CAB (810245211) Rev C

CONSOLE CONTROL ASSY CAB (810245211) Rev C				
Pos.	Part	BOM Qty.	Foot Note	Description
1	2982340	1		ANTENNA EXTENSION CABLE
2	6124520	2		HHCS 3/8 16UNC X 0.75 GR 5
3	6176260	6		SLOT FMS 1/4-20UNC X 0.50 GR 1
4	6184180	4		SCREW #10-32UNF X .50 TRUSS HD BLACK
5	7103040	2		LOCK WASHER 3/8 ST B18.21.1
6	810197471 ➡ page 3-11	1		CONSOLE LEFT HAND ASSY
7	81037044 ➡ page 3-19	1		CONSOLE RIGHT HAND ASSY
8	81039367	1		PLATE CAB BULKHEAD
9	7126171153	12		HHCS M8X20 8.8 FLZN 4017
10	7951170014	12		F WASHER 8 ST ISO 7089
11	7951170220	10		L WASHER 8 ST DIN 127B
12	A020191 ➡ page 3-33	1		PEDAL FOOT ASSY THROTTLE CONTROL
13	A026332	1		PLATE FLOOR
14	A082230	1		SWITCH PUSH BUTTON FLOOR MOUNT
15	A188100	2		L WASHER COUNTERSUNK E-T 3/8 ST B18.21.1
16	A028560	1		CLOSURE DOME PLUG 1.00 X .12 DEPTH

ENU / 2016-03-18

3. CONTROLS, ELECTRICAL
3.3.2 CONSOLE RIGHT HAND ASSY (81037044) Rev E



ENU / 2016-03-18

3. CONTROLS, ELECTRICAL
3.3.2 CONSOLE RIGHT HAND ASSY (81037044) Rev E

ACCESSORY RADIO MODIFICATION (A032981) Rev C				
Pos.	Part	BOM Qty.	Foot Note	Description
1	3631050	1		DIODE A15A AXIAL LEAD
2	5723490	1		PLUG ELEC FEMALE 3 CONTACT
3	5723500	1		CONNECTOR TOWER 4P MALE
4	5948650	1		RESISTOR 1K OHM .5 WATT 1%
5	6228720	5		SEAL-CABLE
6	6805460	7		TERMINAL-FEMALE 16-14AWG WEATHER PACK
7	6807100	2		TERMINAL AMP PARALLEL SPLICE 16-14AWG
8	A005270	1		RADIO AM/FM RECEIVER W/CD
9	6808230	1		TERMINAL AMP PARALLEL SPLICE 12-10AWG
10	81036744	1		CAPACITOR 4700 MICROFARED 50 VDC
11	810070200	1 FT		SLEEVE POLYOLEFIN 4.1 SHRINK RATIO 1.2
12	810160590	1 FT		SLEEVE POLYOLEFIN 3:1 SHRINK RATIO 3.0ID
13	810161520	1 FT		TUBING POLYOLEFIN 3:1SHRINK RATIO.25ID
14	810178080	1 FT		SLEEVE POLYOLEFIN 3:1 SHRINK 0.19 ID
15	810279750	1 FT		TUBING POLYOLEFIN 3:1 SHRINK RATIO .38
16	84022261	1		DIODE ZENER 14V 0.5W
30	A202860	1 FT		CABLE ELEC 18AWG XLPE TXL BLACK
31	2972140	1 FT		CABLE WIRE 18AWG XLPE TYPE TXL YELLOW

ENU / 2016-03-18

3. CONTROLS, ELECTRICAL
3.4.1 ESI BOOM TOP (810259481) Rev D

A2B DEVICE MOD TWO SPRINGS (84019148) Rev A				
Pos.	Part	BOM Qty.	Foot Note	Description
1	0012042	1		SPRING .75 X .105 WIRE 3.04
2	5467630	4		HEX JAM NUT 3/8-16UNC GR 5
3	6124580	1		HHCS 3/8-16UNC X 1.50 GR 5
4	810152440	1		BOLT EYE 3/8-16 X 2.00 SS 0.25 EYE
5	810245702 → page 3-41	1		SWITCH A2B DEVICE
6	84019150	1		BRACKET NAMEPLATE "84019148"

ENU / 2016-03-18

3. CONTROLS, ELECTRICAL
3.4.1 ESI BOOM TOP (810259481) Rev D

SUBASSY POSITION LIGHT (810250570) Rev E				
Pos.	Part	BOM Qty.	Foot Note	Description
1	4567670	1		GASKET CONUIT .50NPT
2	4716820	1		GRIP CORD .50 NPT CABLE OD (.312-.437)
3	5080240	1		LIGHT ASSY STROBE RED WARNING 12-48V
5	6806940	2		TERMINAL PIN CONTACT MALE
6	810152050	1		RECEPTACLE 2 WAY SIZE 16
8	810134310	1		STRAP STAINLESS STEET 10.2 CABLE TIE
9	810248390	1		PLUG SEALING CAP ASSY
10	810070200	1 FT		SLEEVE POLYOLEFIN 4.1 SHRINK RATIO 1.2
50	2971810	6 FT		CABLE CONTROL 16AWG/2COND-SHIELED

ENU / 2016-03-18

3. CONTROLS, ELECTRICAL
3.8 SWITCH ROCKER TIER 4 ENGINE CAB (810258131) Rev B

SWITCH ROCKER TIER 4 ENGINE CAB (810258131) Rev B				
Pos.	Part	BOM Qty.	Foot Note	Description
1	80017626	1		SWITCH DPF REGEN INITIATE/INHIBIT

ENU / 2016-03-18

3. CONTROLS, ELECTRICAL
3.11.1 BRACKET FUSE PANEL (81042368) Rev B

BRACKET FUSE PANEL (81042368) Rev B				
Pos.	Part	BOM Qty.	Foot Note	Description
1	81021895	1		RELAY CONTACTOR 24VDC 200A
2	81034523	3		FUSE HOLDER FMG-211
3	81034525	3		FUSE 150 AMP 32 V
4	84020536	1		COVER FUSE
5	81042592	1		BRACKET FUSE PANEL
6	81042624	1		DECAL FUSE PANEL
8	7126151253	6		HHCS M6X25 8.8 FLZN 4017
9	7126151153	6		HHCS M6X20 8.8 FLZN 4017
10	7661150003	6		HEX NUT M6 8FLZN ISO4032
11	7661150004	2		HEX NUT M6 10FLZN ISO4032
12	7951150014	12		F WASHER 6 ST ISO 7089
13	7951150220	12		L WASHER 6 ST DIN 127B

ENU / 2016-03-18

3. CONTROLS, ELECTRICAL
3.16 ESI CRAWLER (810261189) Rev F

ESI CRAWLER (810261189) Rev F				
Pos.	Part	BOM Qty.	Foot Note	Description
3	810352310	1		WIRING HARNESS WLL1
9	84025285	1		GROMMET .4375 DIA HOLE
10	3490060	2		CLAMP .62 DIA

ENU / 2016-03-18

3. CONTROLS, ELECTRICAL
3.19.1 ESI VPC MOUNTING (810286701) Rev E

ESI VPC MOUNTING (810286701) Rev E				
Pos.	Part	BOM Qty.	Foot Note	Description
1	80069035	1		CONTROLLER CCM
2	810018650	1		ALARM DUAL TONE
3	810089770	2		RETAINER 11.1 DIA
4	810245002	1		CABLE ROD 9.5 DIA X 550 LG
5	810254602	2		BRACKET RECEPTACLE SIZE 18
6	810254612	1		BRACKET RECEPTACLE SIZE 24
7	810282202	1		BRACKET VPC CCM MOUNT
8	810291962	4		STUD STANDOFF 13MM HEX M-F 50MM
9	7126151153	4		HHCS M6X20 8.8 FLZN 4017
10	7126152053	4		SCR CAP HEX HD M6-1 X 65 8.8 ZC
11	7126191153	10		HHCS M10X20 8.8 FLZN 4017
12	7126211253	8		HHCS M12X25 8.8 FLZN 4017
13	7661150004	8		HEX NUT M6 10FLZN ISO4032
14	7661210003	8		HEX NUT M12 8FLZN ISO4032
15	7951150014	4		F WASHER 6 ST ISO 7089
16	7951150210	8		L WASHER 6 ST DIN 7980
17	7951190014	10		F WASHER 10 ST ISO 7089
18	7951210014	8		F WASHER 12 ST ISO 7089
19	7951210220	8		L WASHER 12 ST DIN 127B
20	A015990	2		RETAINER P-CLIP FOR 0.50 DIA
21	3490060	4		CLAMP .62 DIA

ENU / 2016-03-18

3. CONTROLS, ELECTRICAL
3.21 ESI A2B WEIGHT RIGGING (810293841) Rev A

ESI A2B WEIGHT RIGGING (810293841) Rev A				
Pos.	Part	BOM Qty.	Foot Note	Description
1	1424032	1		WEIGHT
2	3341010	12 FT		CHAIN STRAIGHT LINK #5/0
3	6246330	1		SHACKLE ANCHOR LOOSE PIN GALV

ENU / 2016-03-18

3. CONTROLS, ELECTRICAL
3.23.1 ESI CAB EXTERIOR WIRING (810291141) Rev B

ESI CAB EXTERIOR WIRING (810291141) Rev B				
Pos.	Part	BOM Qty.	Foot Note	Description
1	2974710	1		CABLE ELEC GROUND STRAP 7.25 LG
2	810292780	1		CABLE ELEC BRAIDED GROUND STRAP 254 MM
3	7127150753	6		HHCS FULL THREAD 6 X 10 10.9
4	A172140	1		CABLE ELEC GROUND STRAP 4.0 LG
5	7107720	6		L WASHER I/E-T 1/4 ST

ENU / 2016-03-18

3. CONTROLS, ELECTRICAL
3.23.2 ESI MOUNTING ASSEMBLY (810328761) Rev G

JUNCTION BOX DC LOAD CENTER (810246890) Rev J				
Pos.	Part	BOM Qty.	Foot Note	Description
1	2361430	1		BLOCK FUSE 4 GANG AUTOMOTIVE
2	2753240	1		BREAKER
3	4526850	4		FUSE 10 AMP AUTOMOTIVE TYPE
4	5460750	4		HEX NUT 6-32UNC STEEL
5	5468370	1		HEX NUT 10 -32UNF STEEL
6	5469560	5		NUT PANEL 1.69-18 UNEF-2B
7	5469670	1		NUT PANEL 1.50-18UNEF-2B
8	5724130	1		PLUG ELEC SEALING SIZE 4
9	5725230	17		PLUG SEALING SIZE 12&16
10	5724090	1		ELEC CONNECTOR
11	5898830	1		RECEPTACLE
12	6131010	4		HHCS 1/4-28UNF X 0.50 GR 5
13	6183910	1		SLOT PMS
14	620864	3		SLOT PMS 10-32UNF X 1.25 SS
15	6805160	4		TERMINAL RING 6-5 AWG .31 NON-INSUL
18	6806460	8		TERMINAL RING 6-5 AWG .25 NON-INSUL
19	6806620	10		RECEPTACLE ULTRA-FAST FULLY INSULATED
20	6806700	3		TERMINAL PARALLEL SPLICE
21	6806880	57		TERMINAL FEMALE 16-14 AWG
22	6806960	16		TERMINAL SOCKET CONTACT 12-14 FEMALE
23	6807150	10		TERMINAL FEMALE SLIP ON NON-INSUL
24	6808230	15		TERMINAL AMP PARALLEL SPLICE 12-10AWG
25	6808270	2		TERMINAL FEMALE .25 16-12 AWG INSUL
26	680829	10		TERMINAL FEMALE .187 (VFM RELAYS)
27	6808380	8		TERMINAL RING 22/16 AWG #10 STUD
28	6808520	2		TERMINAL PARALLEL SPLICE 4 AWG
29	6808530	8		TERMINAL PARALLEL SPLICE 6AWG
30	7103000	1		L WASHER MEDIUM #6 ST B18.21.1
31	7103020	4		L WASHER MEDIUM 1/4 ST B18.21.1
32	7114320	1		LOCK WASHER 1.50 SPRING STEEL
33	7114330	5		WASHER LOCK 1.70
34	810008490	2		TERMINAL PARALLEL SPLICE 8AWG
35	81002432	1		RELAY AUTOMOTIVE SPST-NO
36	810185870	23		PHIL RMS 10-32 X 0.50 SS
37	81018592	4		PHIL RMS 6-32UNC X 0.50 SS
38	81019118	2		PHIL PMS 1/4-20UNC X 1.00 SS
39	810205460	1		RECEPTACLE DUST CAP
40	810218950	2		RELAY CONTACTOR 24VDC 200A
41	810239290	1		ELEC CONNECTOR
42	810239310	2		ELEC CONNECTOR SIZE 16 SOCKET
43	810239330	1		ELEC CONNECTOR 31 CAVITIES SIZE 16
44	810244830	4		CIRCUIT BREAKER 10A 24V

ENU / 2016-03-18

3. CONTROLS, ELECTRICAL
3.23.3 ESI SERVICE LIGHTS (81038809) Rev A

ESI SERVICE LIGHTS (81038809) Rev A				
Pos.	Part	BOM Qty.	Foot Note	Description
1	81038813 → page 3-131	2		LIGHT SERVICE LIGHT ASSY
2	81040874	4		ELEC CABLE BED TO LIGHT EXT
3	81041246	1		WIRING HARNESS 2-POLE EXTENSION
4	81041415	1		WIRING HARNESS 2 POLE DEUTSCH EXT

ENU / 2016-03-18

3. CONTROLS, ELECTRICAL

3.25.2 LIMIT SWITCH SUBASSY 90 DEG CORD GRIP (810245252) Rev A

LIMIT SWITCH SUBASSY 90 DEG CORD GRIP (810245252) Rev A				
Pos.	Part	BOM Qty.	Foot Note	Description
1	3643870	1		ELEC CONNECTOR MALE 3 POLE 13 AMP SEALED
2	4717170	1		CORD GRIP .50 NPT .25 - .375 CORD
3	5726060	1		ELEC CONNECTOR WEDGE LOCK
4	6806940	3		TERMINAL PIN CONTACT MALE
5	810161270	1		SWITCH LIMIT
20	2971820	1 FT		CABLE WIRE 16 AWG 3 CONDUCTOR TYPE SDN
21	2972110	1 FT		CABLE WIRE 18 AWG XLPE TYPE TXL BLUE

3. CONTROLS, ELECTRICAL
3.27.1 SWITCH A2B DEVICE (810245682) Rev A

LIMIT SWITCH SUBASSY (810238652) Rev C				
Pos.	Part	BOM Qty.	Foot Note	Description
1	3643870	1		ELEC CONNECTOR MALE 3 POLE 13 AMP SEALED
2	4716820	1		GRIP CORD .50 NPT CABLE OD (.312-.437)
3	5726060	1		ELEC CONNECTOR WEDGE LOCK
4	6806940	3		TERMINAL PIN CONTACT MALE
5	810161270	1		SWITCH LIMIT
6	810070200	1 FT		SLEEVE POLYOLEFIN 4.1 SHRINK RATIO 1.2
20	2971820	2 FT		CABLE WIRE 16 AWG 3 CONDUCTOR TYPE SDN
21	2972110	1 FT		CABLE WIRE 18 AWG XLPE TYPE TXL BLUE

ENU / 2016-03-18

4. POWER PLANT
4.2 ENCLOSURE ASSEMBLY POWER PLANT (81026650) Rev H

ENCLOSURE ASSEMBLY POWER PLANT (81026650) Rev H				
Pos.	Part	BOM Qty.	Foot Note	Description
1	810223090	18		CLIP NUT M10-1.5
2	84026411	1		ROLLER 130 X 51.6 X 420
3	810269122	1		SHAFT 50.8 MM DIA X 520L
4	810269132	4		BRACKET ROLLER
5	84026410	4		ROLLER 130 X 51.6 X 294
6	810269692	1		SHAFT 50.8 MM DIA X 1280L
10	810289122	1		TIMBER 2.50 X 3.50 X 17.3L
11	810324152 ➡ page 4-7	1		COVER ASSY ENCLOSURE
12	810290002	4		BRACKET ROLLER
13	810290012	1		BRACKET COOLANT TOP TANK
14	7127191453	5		HHCS M10X35 10.9 FLZN4017
15	7127191553	8		HHCS FULL THREAD 10 X 40 10.9
16	7127192753	3		HHCS FULL THREAD 10 X 110 10.9
17	7127211553	16		HHCS M12X40 10.9 FLZN4017
18	7661190804	4		HEX LOCK NUT M10 10FLZN ISO7040
19	7661210804	16		HEX LOCK NUT M12 10FLZN ISO7040
20	7951190014	26		F WASHER 10 ST ISO 7089
21	7951210014	32		F WASHER 12 ST ISO 7089
22	810291692	4		BRACKET ENCLOSURE
27	810293652 ➡ page 4-9	1		LANYARD ASSY PIN
28	810315332	1		BRACKET OIL LEVEL
29	810315352	1		BRACKET OIL LEVEL
30	A015990	1		RETAINER P-CLIP FOR 0.50 DIA
31	810318962 ➡ page 4-11	1		PANEL POWER PLANT ENCL
32	810318992 ➡ page 4-13	1		PANEL ENCL ASSY POWER PLANT
33	810319022 ➡ page 4-15	1		PANEL POWER PLANT ENCL
34	7126191353	12		HHCS M10X30 8.8 FLZN 4017
35	81042535 ➡ page 4-17	1		COVER ASSY ENCLOSURE
36	81042536 ➡ page 4-19	3		COVER ASSY ENCLOSURE

ENU / 2016-03-18

4. POWER PLANT
4.2.5 PANEL POWER PLANT ENCL (810319022) Rev D

PANEL POWER PLANT ENCL (810319022) Rev D				
Pos.	Part	BOM Qty.	Foot Note	Description
1	84027526	1		PANEL POWER PLANT ENCL
2	81031904	1		BRACKET COOLER
3	81031905	1		HINGE COOLER ENCLOSURE
4	7126151053	5		HHCS M6X16 8.8 FLZN 4017
5	7126151153	4		HHCS M6X20 8.8 FLZN 4017
6	7661150003	9		HEX NUT M6 8FLZN ISO4032
7	7951150014	18		F WASHER 6 ST ISO 7089

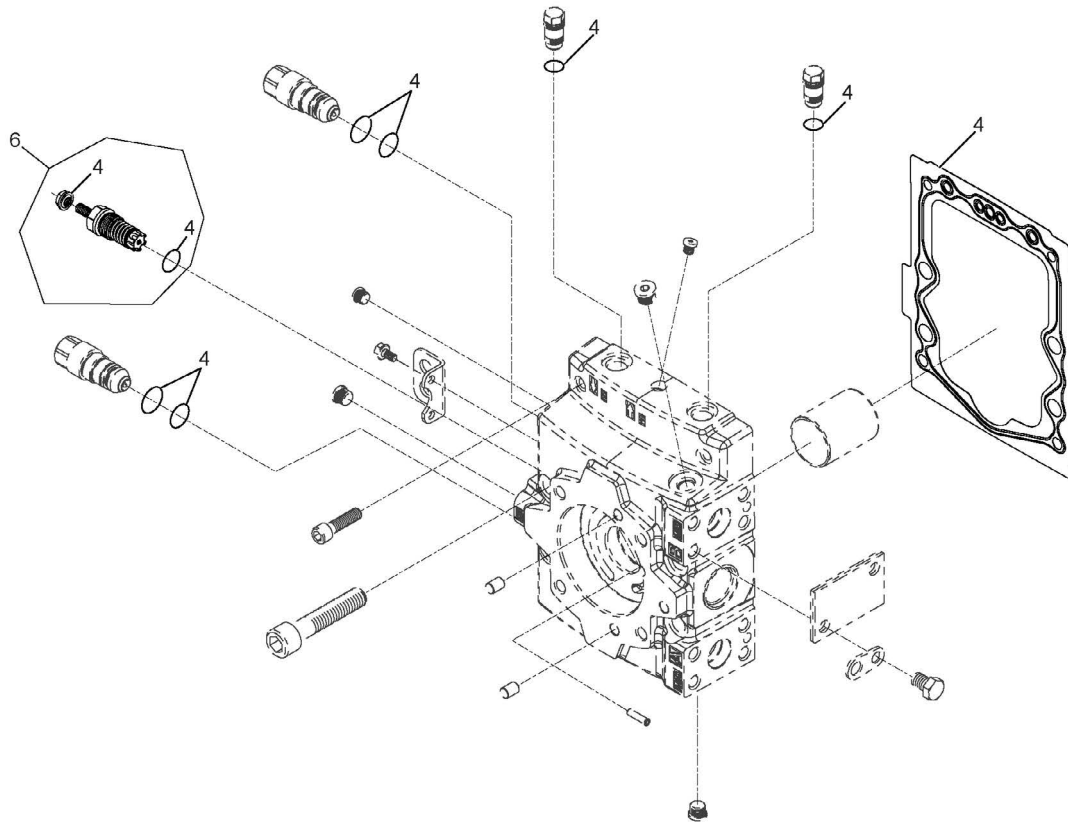
ENU / 2016-03-18

4. POWER PLANT
4.3.1 ENGINE 450 HP QSG T4F (81023966) Rev D

ENGINE 450 HP QSG T4F (81023966) Rev D				
Pos.	Part	BOM Qty.	Foot Note	Description
1	90038764	1		250 HR SERVICE KIT
1-1	90038761	1		FUEL FILTER SECONDARY
1-2	90039607	1		FUEL FILTER
1-3	90038760	1		FUEL FILTER PRIMARY
2	90038765	1		500 HR SERVICE KIT FILTER KIT
2-1	90038761	1		FUEL FILTER SECONDARY
2-2	90039607	1		FUEL FILTER
2-3	90038760	1		FUEL FILTER PRIMARY
2-4	90038762	1		OIL FILTER
2-5	A053600	1	AU	KIT SINGLE-USE COOLANT ADD TEST
3	90038766	1		1500 HR SERVICE KIT FILTER KIT
3-1	90038761	1		FUEL FILTER SECONDARY
3-2	90039607	1		FUEL FILTER
3-3	90038760	1		FUEL FILTER PRIMARY
3-4	90038762	1		OIL FILTER
3-5	A053600	1	AU	KIT SINGLE-USE COOLANT ADD TEST
3-6	90025830	2		AIR FILTER PRIMARY T4F ENGINE
3-7	90025831	2		AIR FILTER SECONDARY
3-8	90039619	1		BELT TENSIONER
3-9	90038758	1		BELT FAN & WATER PUMP
3-10	90038759	1		BELT, ALTERNATOR
4	90040108	1		4500 HR SERVICE KIT
4-1	90038757	1		FILTER DEF DOSING MODULE
4-2	90038761	1		FUEL FILTER SECONDARY
4-3	90025830	2		AIR FILTER PRIMARY T4F ENGINE
4-4	90025831	2		AIR FILTER SECONDARY
4-5	90039607	1		FUEL FILTER
4-6	90038760	1		FUEL FILTER PRIMARY
4-7	90038762	1		OIL FILTER
4-8	A053600	1	AU	KIT SINGLE-USE COOLANT ADD TEST
4-9	90039619	1		BELT TENSIONER
4-10	90038758	1		BELT FAN & WATER PUMP
4-11	90038759	1		BELT, ALTERNATOR
AU = PART NOT SHOWN				

ENU / 2016-03-18

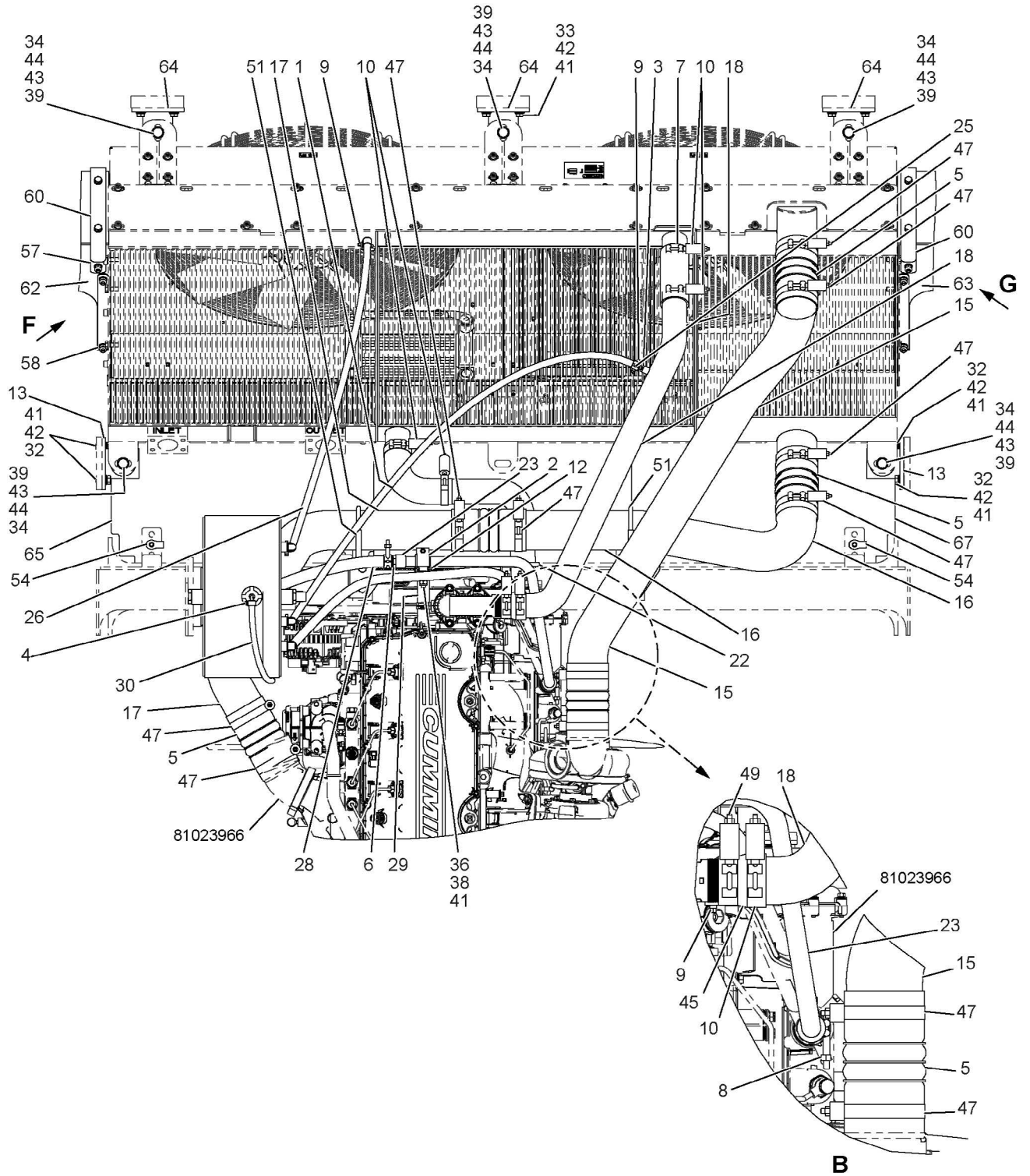
4. POWER PLANT
4.3.2 GEAR BOX ASSY 450 HP (810248891) Rev F



ENU / 2016-03-18

ENU / 2016-03-18

4. POWER PLANT
4.6 COOLER ASSY 450 HP (810239701) Rev E



ENU / 2016-03-18

4. POWER PLANT
4.6.3 PANEL ENCL ASSY COOLER BTM (810295592) Rev B

PANEL ENCL ASSY COOLER BTM (810295592) Rev B				
Pos.	Part	BOM Qty.	Foot Note	Description
1	81029473	1		PANEL ENCL COOLER
2	81029476	1		BRACKET COOLER
3	81029477	1		HINGE COOLER ENCLOSURE
4	7126151053	6		HHCS M6X16 8.8 FLZN 4017
5	7126151153	5		HHCS M6X20 8.8 FLZN 4017
6	7661150003	11		HEX NUT M6 8FLZN ISO4032
7	7951150014	22		F WASHER 6 ST ISO 7089

ENU / 2016-03-18

ENU / 2016-03-18

ENU / 2016-03-18

ENU / 2016-03-18

5. LOWERWORKS
5.4 PLATFORM CARBODY (810269911) Rev E

PLATFORM CARBODY (810269911) Rev E				
Pos.	Part	BOM Qty.	Foot Note	Description
1	5637970	2		PIN QUICK RELEASE 3/4 X 3-3/4
2	5636370	4		PIN QUICK RELEASE .50 DIA X 3.00 LG
3	810141040	4		PIN COTTER HAIR .080 DIA X 1.19 LG
7	810302572	1		PLATFORM WELDMENT CARBODY
8	810303162	2		BRACKET PLATFORM
10	810303622	1		BAR RD .375 (IN)
11	810304722	1		PLATE .25 (IN)
12	7127191453	2		HHCS M10X35 10.9 FLZN4017
13	7126211453	1		HHCS M12X35 8.8 FLZN 4017
14	7126211853	2		HHCS M12X55 8.8 FLZN 4017
15	7127192050	4		SCR CP HX HD M10 -1.5 X 65 ZC
16	7127192653	1		SCR CAP HEX H D M10-1.5 X 100 10.9 PLN
17	7661190804	7		HEX LOCK NUT M10 10FLZN ISO7040
18	7661210003	4		HEX NUT M12 8FLZN ISO4032
19	7661211104	1		HEX LOCK NUT M12 10FLZN ISO7042
20	7951190014	25		F WASHER 10 ST ISO 7089
21	810306490	1		PLATFORM WELDMENT CARBODY
22	0103059	2		PIN 2 HOLE .750 DIA X 3.41 LG
23	5620850	4		PIN COTTER 3/16 DIA X 1.50 LG

ENU / 2016-03-18

5.7.1 ROLLER ASSY CRAWLER INTER (810240480) Rev B

ROLLER ASSY CRAWLER INTER (810240480) Rev B				
Pos.	Part	BOM Qty.	Foot Note	Description
1	810240490	1		ROLLER CRAWLER INTERMEDIATE 357MM
2	810247920	2		BUSHING 136.8X122.8X108 LG

ENU / 2016-03-18

5. LOWERWORKS
5.9 CRAWLER GREASE PIPING ASSY (810339119) Rev B

CRAWLER GREASE PIPING ASSY (810339119) Rev B				
Pos.	Part	BOM Qty.	Foot Note	Description
41	810269280	1		TUBE NYLON .25OD X 0.05W X11 LG
42	810269280	1		TUBE NYLON .25OD X 0.05W X11 LG
43	810269280	1		TUBE NYLON .25OD X 0.05W X11 LG
44	810269280	1		TUBE NYLON .25OD X 0.05W X11 LG
45	810269280	1		TUBE NYLON .25OD X 0.05W X11 LG
46	810269280	1		TUBE NYLON .25OD X 0.05W X11 LG
47	810269280	1		TUBE NYLON .25OD X 0.05W X11 LG
48	810269280	1		TUBE NYLON .25OD X 0.05W X11 LG
49	810269280	1		TUBE NYLON .25OD X 0.05W X11 LG
50	810269280	1		TUBE NYLON .25OD X 0.05W X11 LG
51	810269320	1		TUBE NYLON .25OD X 0.05W X 93 LG
52	810269320	1		TUBE NYLON .25OD X 0.05W X 93 LG
53	810302962	1		TUBE PREFORMED .75 OD X .065W DOM 1020
54	810316032	1		COVER WELDMENT GREASE PUMP
55	810338420	1		HOSE ASSY .125 ID X 24.0 LG
56	810340010	1		HOSE ASSY .125 ID X 80.0 LG
57	810340030	1		HOSE ASSY .125 ID X 220.0 LG
58	810349820 → page 5-42	1		VALVE ASSY 12 BANK .125 NPTF
59	7126151653	8		HHCS M6X45 8.8 FLZN 4017
60	7126171353	4		HHCS M8X30 8.8 FLZN 4017
61	7661170803	4		HEX LOCK NUT M8 8FLZN ISO7040
62	7951170014	4		F WASHER 8 ST ISO 7089
63	7661150803	8		HEX LOCK NUT M6 8FLZN ISO7040

5.9.5 VALVE ASSY 12 BANK .125 NPTF (810349820) Rev A

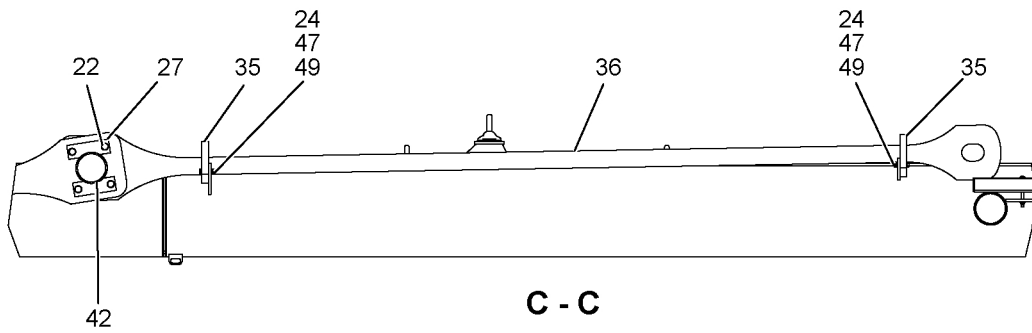
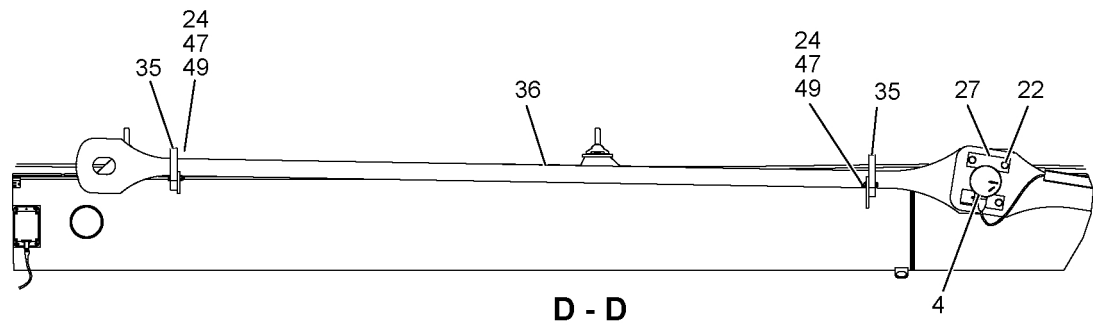
VALVE ASSY 12 BANK .125 NPTF (810349820) Rev A				
Pos.	Part	BOM Qty.	Foot Note	Description
1	4285480	11		FITTING LUBE ADAPTER
2	4285540	1		FITTING LUBE ELBOW
3	4292250	1		FITTING SERVICE TEE
4	5719070	1		FITTING OUTLET PLUG
5	A070450	1		MANIFOLD AUTOLUBE 12 PORTS W/ CIP
6	A070460	1		FITTING LUBE -2 NPTF
7	A070470	1		CAP LUBE FITTING

6. ATTACHMENTS
6.1 INDICATOR BOOM FLANGE (1687792) Rev FA

INDICATOR BOOM FLANGE (1687792) Rev FA				
Pos.	Part	BOM Qty.	Foot Note	Description
1	1687742	1		PIN (NO HOLES) W/HD .875 DIA X .94 LG
2	1687752	1		PLATE .50 THK
3	1687762	1		GUARD 16 GA (.059) SHT
4	1687772	1		PLATE MOUNTING .25 THK
5	1687782	1		INDICATOR DIAL BOOM FLANGE INDICATOR
6	2241950	1		BEARING BALL 1.85 X .79 X .55

ENU / 2016-03-18

6. ATTACHMENTS
6.5 MAST ASSY LIVE MAST (810239871) Rev L



ENU / 2016-03-18

6. ATTACHMENTS

6.6 BOOM STOP ASSY #500 (810256531) Rev A

BOOM STOP ASSY #500 (810256531) Rev A				
Pos.	Part	BOM Qty.	Foot Note	Description
1	1766909	1		PIN 2 HOLE 1.50 DIA X 3.72 LG
2	5483550	4		HEX LOCK NUT PA 1 1/4-7UNC GR 5
3	5621080	2		PIN COTTER 1/4 DIA X 2.25 LG
4	5621290	2		PIN COTTER 5/16 DIA X 2.50 LG
5	5621740	4		PIN COTTER 1/2 DIA X 4.50 LG
6	7095300	2		F WASHER 1 1/4 ST USS
7	810256541	2		BOOM STOP OUTER TUBE
8	810256552	1		BOOM STOP INNER TUBE
9	810256572	1		STRUT BOOM STOP
10	810256580	2		SPRING 4.531X1.063X49.5 IN
11	810256592	2		BOOM STOP GUIDE BAR
12	810257812	1		ROLLER ASSY BOOM STOP
12-1	810257790	1		BUSHING COMPOSITE 2.76 X 3.25 X 2.75
12-2	810257802	1		ROLLER PLATE 70 MM
13	810258002	2		PIN 2 HOLE 69.85 OD X 120 LG
14	810258542	1		WASHER SHOULDER SPRING

ENU / 2016-03-18

6.9.1 SHEAVE ASSY 28MM DIA (810258190) Rev A

SHEAVE ASSY 28MM DIA (810258190) Rev A				
Pos.	Part	BOM Qty.	Foot Note	Description
1	2250650	1		CYL ROLLER BRG 7.87 X 5.12 X 3.74
2	810258200	1		SHEAVE 609.6 28 NYLON
3	810258210	1		SLEEVE 199.92 88.9

6. ATTACHMENTS

6.12 INSERT ASSY 12M EQ M #500 (81027811) Rev B

INSERT ASSY 12M EQ M #500 (81027811) Rev B				
Pos.	Part	BOM Qty.	Foot Note	Description
1	1932772	4		PIN 2.00 X 12.50
2	5620640	8		PIN COTTER 5/32 DIA X 1.25 LG
3	5620850	16		PIN COTTER 3/16 DIA X 1.50 LG
4	5621720	2		PIN COTTER 1/2 DIA X 4.00 LG
5	5636400	2		PIN SAFETY .243 OD X 5.00
6	5638030	8		PIN SAFETY .375 X 2.25 LG
7	6247590	2		SHACKLE ANCHOR BOLT TYPE 25
8	84024200	20		SAFETY PIN 3.2 DIA X 50.8 LG
9	810249512	8		PIN 1 HOLE W/HD 65.0 DIA X 94.3 LG
10	810249552	4		LINK #500 BOOM
11	810253062	10		PIN 2 HOLE 19.1 MM DIA X 81.2 MM LG
12	810254722	4		CLAMP CABLE SPRING CLIP
13	810277822	2		PIN 2 HOLE 19.1 DIA X 287.0 LG
14	810277952	1		TIMBER 38.1X88.9X1325.0
16	810280570	1		TIMBER 38.1 X 88.9 X 1080.0
17	810294422	2		BRACKET STRAP
18	810294472	2		BRACKET STRAP
19	810294520	4		BRACKET STRAP
20	810315992	8		BRACKET STRAP
22	81036552	2		STRAP 8.07 M #500
23	81036598	2		PIN 2 HOLE 19.1 DIA X 230.0 LG
24	81036599	2		BRACKET STRAP
25	7126151150	8		HHCS 6 X 20 8.8
26	7126191850	20		HHCS M10X55 8.8 FLZN 4014
27	7126191750	8		HHCS M10X50 8.8 FLZN 4014
28	7661150803	8		HEX LOCK NUT M6 8FLZN ISO7040
29	7661190803	28		HEX LOCK NUT M10 8FLZN ISO7040
30	7951150014	16		F WASHER 6 ST ISO 7089
31	7951190014	56		F WASHER 10 ST ISO 7089
32	7951270014	16		F WASHER 20 ST ISO 7089
33	A117992	8		PIN 2 HOLES 12.7 DIA X 93.0 LG
34	A118002	8		COLLAR 66 MM ID
35	A132942	2		PIN 1 HOLE W/HD 75.8 DIA X 160.4 LG
36	A165342	2		PIN 1 HOLE W/HD 63.50 DIA X 172.4 LO
37	81036553	2		STRAP 1.69 M #500
38	81036554	4		LINK #500 BOOM

ENU / 2016-03-18

6.16.1 SHEAVE ASSY 28MM DIA (810258190) Rev A

SHEAVE ASSY 28MM DIA (810258190) Rev A				
Pos.	Part	BOM Qty.	Foot Note	Description
1	2250650	1		CYL ROLLER BRG 7.87 X 5.12 X 3.74
2	810258200	1		SHEAVE 609.6 28 NYLON
3	810258210	1		SLEEVE 199.92 88.9

6.19.1 CYLINDER HYDR LIVE MAST PIN PULLER (81032872) Rev D

CYLINDER HYDR LIVE MAST PIN PULLER (81032872) Rev D				
Pos.	Part	BOM Qty.	Foot Note	Description
1	90024173	1		SEAL KIT 81019940 CYL

ENU / 2016-03-18

6.22.1 SHEAVE ASSY 28MM DIA (810258190) Rev A

SHEAVE ASSY 28MM DIA (810258190) Rev A				
Pos.	Part	BOM Qty.	Foot Note	Description
1	2250650	1		CYL ROLLER BRG 7.87 X 5.12 X 3.74
2	810258200	1		SHEAVE 609.6 28 NYLON
3	810258210	1		SLEEVE 199.92 88.9

6.27 GUIDE ASSY DRUM 2, 3 UPPER (810296281) Rev B

GUIDE ASSY DRUM 2, 3 UPPER (810296281) Rev B				
Pos.	Part	BOM Qty.	Foot Note	Description
1	5638230	2		PIN SAFETY .25 DIA X 1.75 LG
2	810258190 → page 6-86	2		SHEAVE ASSY 28MM DIA
3	810278922	1		PLATE KEEPER 20.0 MM
6	810297312	1		PLATE KEEPER 12.0 MM
7	810310602	1		SHAFT 129.95 X 292.0 LG
9	7126272053	3		HHCS FULL THREAD 20 X 65 8.8
10	7127271453	2		HHCS FULL THREAD 20 X 35 10.9
11	7951270210	3		L WASHER 20 ST DIN 7980
12	81037335	2		PIN 1 HOLE W/HD 38.0 DIA X 230 LG

6.30 CATWALK ASSY #500 6M INSERT (810312801) Rev A

CATWALK ASSY #500 6M INSERT (810312801) Rev A				
Pos.	Part	BOM Qty.	Foot Note	Description
1	5460590	8		HEX NUT 3/4-10UNC GR 5
2	6124050	24		HHCS 5/16-18UNC X 1.00 GR 5
3	81016691	13		F WASHER GRIP STRUT DIAMOND PATTERN
4	810169952	2		BRACKET 4 HOLE 1.50X0.13X6.50
5	810278542	2		CATWALK 724 MM X 2495 MM
6	810279012	1		CATWALK 724 MM X 1524 MM
7	810279022	1		CATWALK 495 MM X 683 MM
8	810301722	1		LADDER 371 MM X 2064 MM
9	810310670	2		CABLE SEE DRW 81003372
10	7114153664	13		C BOLT SQ GR 4 5/16-18UNC X 4.50
11	7126191450	4		HHCS 10 X 35 8.8
12	7660152500	37		HEX LOCK NUT PA 5/16-18UNC SS
13	7661190803	4		HEX LOCK NUT M10 8FLZN ISO7040
14	7950150141	61		F WASHER 5/16 ST B18.21.1 NARROW
15	7950220141	8		F WASHER 3/4" DIA
16	7951190014	8		F WASHER 10 ST ISO 7089

6.33.1 SHEAVE ASSY #500 DEAD END (84028414) Rev A

LINK DEAD END ASSY (810289324) Rev A				
Pos.	Part	BOM Qty.	Foot Note	Description
1	810289332	1		LINK DEAD END WELD AND MACH
2	A091420	1		BUSHING COMPOSITE 5.76 X 6.25 X 1.250

ENU / 2016-03-18

ENU / 2016-03-18

6. ATTACHMENTS

6.41 MAST SUPPORT ASSY (81039609) Rev D

MAST SUPPORT ASSY (81039609) Rev D				
Pos.	Part	BOM Qty.	Foot Note	Description
1	5637900	2		PIN HAIRPIN COTTER .120 DIA X 2.38 LG
2	5638170	4		PIN HAIRPIN COTTER .148 DIA X 2.69 LG
3	5638710	3		PIN SAFETY .375 DIA X 2.25 LG
4	810052462	4		PIN COTTER HAIR .178 DIA X 3.75 LG
5	810138560	2		PIN WIRE LOCK .250 DIA X 2.50 LG (INCH)
6	81039220	2		BLOCK NYLON
7	81039221	2		PIN WITH HEAD 30.0 DIA X 87.0 LG
8	81039224	2		PIN WITH HEAD 26.0 DIA X 63.5 LG
9	81039225	2		PIN WITH HEAD 15.0 DIA X 47.0 LG
10	81039228	4		PIN WITH HEAD 40.0 DIA X 47.0 LG
11	81039229	2		PIN 20.0 DIA X 38.0 LG
12	81039617	2		BRACKET MACHINING
13	81039741	1		STRUT MACHINING RH
14	81039791	2		STRUT MACHINING
15	81039828	1		STRUT MACHINING LH
16	81039831	1		EQUALIZER MACHINING RH
17	81039835	1		EQUALIZER MACHINING LH
18	81040017	2		PIN W/HD 35.0 DIA X 186.0 LG
19	81040018	1		PIN W/HD 35.0 DIA X 166.0 LG
20	81040574	4		SHIM NYLON 3.2 MM
21	81040577	4		SHIM NYLON 1.0 MM
22	81040648	4		SHIM NYLON 4.8 MM
23	81040649	4		SHIM 3.2 MM
24	81040650	4		SHIM NYLON 1.0 MM
27	81040796 ▶ page 6-126	1		HINGE SUPPORT ASSY
28	81041241	2		PIN QUICK RELEASE 12.7 MM X 88.9 MM SS
29	81041245	4		RETAINING RING 26.0 MM DIN 471
30	81041261	4		RETAINING RING 40.0 DIN 471
31	81041329	2		PIN HAIR .17" DIA X 3.75" LG
32	81041359	12		SHIM NYLON 4.8 MM
33	81041361	8		SHIM NYLON 9.5 MM
34	7126241453	8		HHCS M16X35 8.8 FLZN 4017
36	7127191454	8		SCR SKT HD M10-1.5 X 35 10.9 PLN
38	7951240014	8		F WASHER 16 ST ISO 7089
39	7951270014	12		F WASHER 20 ST ISO 7089
40	7126271653	12		HHCS M20X45 8.8 FLZN 4017

ENU / 2016-03-18

7.2 Maintenance

Part	Description	RPL Quantity/Emergency			BOM Qty.	Assembly
		Year 1-2	Year 3-4	Year > 5		
4272820 Rev FA	HYD FILTER SPIN-ON WHITE W/MTWC LOGO			1	3	90039523 ➡ page 2-12
810006580 Rev A	BATTERY 12V 1375CCA 8D			1	2	810239731 Rev C ➡ page 4-72

7

7013000608 (FITTING ADPTR METRIC (ISO 6149) X ORFS)	4-68
7019170 (VALVE BALL .75)	4-68, 4-70
7030730 (VALVE SWING CHECK .75" 125# BRASS)	4-68, 4-70
7031232 (KIT, CPRV CARTRIDGE 5364970 HYD MOTOR)	1-77, 1-83
7031235 (O-RING)	1-77, 1-79, 1-83, 1-85
7034100 (VALVE MANIFOLD 2)	2-44, 2-102, 2-106, 2-128, 2-226, 2-240, 2-242
7034255 (SEAL KIT (SELECTOR VALVE))	2-114
7034390 (VALVE PRESSURE RELIEF 270864)	1-67, 5-39
7034800 (HYD VALVE SELECT DS-100HP .06SAE PORT)	2-96
7040900 (VALVE CHECK INLINE)	2-92
7041130 (VALVE HYD SUN DBL C-BAL)	2-95
7041136 (CART.DOUBLE)	2-100
7091510 (F WASHER SHIM 1.25 X 0.81 X .06 COPPER)	3-42, 3-148
7094020 (F WASHER #10 ST USS)	1-50
709402 (ASSY- REP KI)	1-26
7094200 (F WASHER 1/4 ST USS)	3-28
7094300 (F WASHER 5/16 ST USS)	1-5, 2-196, 5-32, 5-47
7094400 (F WASHER 3/8 ST USS)	2-96, 2-238
7094600 (F WASHER 1/2 ST USS)	3-102, 4-84
7094800 (F WASHER 5/8 ST USS)	1-19, 2-68
7095020 (F WASHER #10 ST SAE)	3-116, 4-54
7095300 (F WASHER 1 1/4 ST USS)	6-25
7097030 (F WASHER SHIM 3/8 ST SAE)	1-26, 4-72
7097440 (F WASHER SHIM 5/16 ST F436)	1-26
7097470 (F WASHER 5/8 ST F436)	5-47
7097490 (F WASHER 3/4 ST SAE)	6-16
7097690 (F WASHER 1 ST SAE)	1-101
7097810 (F WASHER 1/2 ST SAE)	2-96
7097860 (F WASHER 3/4 ST SAE)	5-7

7103000 (L WASHER MEDIUM #6 ST B18.21.1)	1-50, 3-120
7103010 (L WASHER MEDIUM #10 ST B18.21.1)	1-26, 1-46, 1-50, 3-13, 3-22, 3-42, 3-115
7103020 (L WASHER MEDIUM 1/4 ST B18.21.1)	1-5, 1-19, 1-26, 3-28, 3-52, 3-120, 5-5
7103030 (L WASHER MEDIUM 5/16 ST B18.21.1)	1-5, 3-22, 3-48, 4-4, 4-45, 4-90, 5-32
7103040 (LOCK WASHER 3/8 ST B18.21.1)	3-10, 3-34, 3-42, 4-72
7103050 (L WASHER MEDIUM 7/16 ST B18.21.1)	4-45
7103060 (L WASHER MEDIUM 1/2 ST B18.21.1)	2-290, 3-102, 4-4, 4-88, 5-7
7103070 (L WASHER MEDIUM 5/8 ST B18.21.1)	4-45
7103080 (L WASHER MEDIUM 3/4 ST B18.21.1)	4-88
7103190 (L WASHER MEDIUM #8 ST B18.21.1)	1-5, 1-26, 3-13, 3-32
7104100811 (SCREW MACH PAN HEAD SLOTTED #10-32UNF)	2-6
7107080 (L WASHER I-T 1/4 ST B18.21.1)	1-26
7107720 (L WASHER I/E-T 1/4 ST)	3-68, 3-108, 3-110, 6-23
7110101405 (SHCS 10-24UNC X 1.75 A574)	2-44, 2-102, 2-106, 2-226, 2-242
7111100510 (SLOT RMS #10-24 UNC X .63) ...	2-6
7111100611 (SLOT PMS 10-24UNC X 0.75 GR 1)	3-116
7113400 (WASHER NYLON SHOULDER #8) ...	3-28
7114080311 (SLOT PMS 8-32 X .38)	1-26
7114153664 (C BOLT SQ GR 4 5/16-18UNC X 4.50)	6-17, 6-51, 6-77, 6-81, 6-89, 6-95, 6-99, 6-113
7114270 (F WASHER 1 ST F436)	4-23
7114280 (F WASHER 1/2 ST F436)	2-267
7114290 (F WASHER 5/8 ST)	4-28

ENU / 2016-03-18

7555610400 (HOSE ASSY CODED 1.00 ID X 104 LG)	2-179	7565316764 (HOSE ASSY 1.25 ID X 167 LG)	2-280
7555611801 (HOSE ASSY 1.00 ID X 118 LG)	2-297	7565317364 (HOSE ASSY 1.25 ID X 173 LG)	2-280
7555612511 (HOSE ASSY 1.00 ID X 125 LG)	2-155	7566101300 (HOSE ASSY 1.00 ID X 13 LG) . . .	2-48
7555614200 (HOSE ASSY 1.00ID X 142 LG) . . .	2-92	7566600900 (HOSE ASSY 3.00 OD X 9 LG) . . .	2-290
7555702090 (HOSE ASSY 1.25 ID X 20 LG) . . .	2-298	7566601600 (HOSE ASSY 3.00 OD X 16 LG)	2-290
7555703091 (HOSE ASSY 1.25 ID X 30 LG) . . .	2-290	7567600066 (HOSE ASSY .75 ID X 66 LG)	4-70
7555703190 (HOSE ASSY 1.25 X 31 LG)	2-298	7567601015 (HOSE ASSY .75 ID X 15.00 LG) . . .	4-70
7555704801 (HOSE ASSY 1.25 ID X 48 LG) . . .	2-297	7567601017 (HOSE ASSY .75 ID X 17 LG)	4-68
7555803111 (HOSE ASSY CODED 1.50 ID X 31 LG)	2-290	7567601019 (HOSE ASSY .75 ID X 19 LG)	4-68
7555803611 (HOSE ASSY 1.50 ID X 36 LG) . . .	2-290	7567601024 (HOSE ASSY 7555502402 .75 ID X 24 LG)	4-70
7555806011 (HOSE ASSY 1.50 ID X 60.00 LG)	2-290	7567601036 (HOSE ASSY .75 ID X 36" LG) . . .	4-68
7556603001 (HOSE ASSY 1.00 ID X 30 LG) . . .	2-92	7567601037 (HOSE ASSY .75 ID X 37 LG)	4-68
7556607890 (HOSE ASSY 1.00 ID X 78 LG) . . .	2-298	7568307250 (HOSE ASSY 1.00 ID X 72 LG) . . .	2-298
7556803612 (HOSE ASSY 1.50 ID X 36 LG) . . .	2-290	7568307850 (HOSE ASSY 1.00 ID X 78 LG) . . .	2-298
7565204228 (HOSE ASSY 1.00 ID X 42 LG) . . .	2-232	7568405074 (HOSE ASSY 1.25 ID X 50 LG) . . .	2-152
7565204526 (HOSE ASSY 1.00 ID X 45 LG) . . .	2-152	7568405274 (HOSE ASSY 1.25 ID X 52 LG) . . .	2-152
7565206628 (HOSE ASSY 1.00 ID X 66 LG) . . .	2-234	7568405374 (HOSE ASSY 1.25 ID X 53 LG) . . .	2-152
7565215028 (HOSE ASSY 1.00 ID X 150 LG)	2-232	7568406076 (HOSE ASSY CODED 1.25 ID X 60 LG)	2-155
7565305066 (HOSE ASSY 1.25 ID X 50 LG) . . .	2-230	7568406676 (HOSE ASSY 1.25 ID X 66 LG) . . .	2-278
7565305563 (HOSE ASSY 1.25 X 55 LG)	2-135	7568407176 (HOSE ASSY 1.25 ID X 71.0 LG)	2-135
7565305963 (HOSE ASSY CODED 1.25 ID X 59 LG)	2-135	7568407270 (HOSE ASSY 1.25 ID X 72 LG) . . .	2-267
7565306262 (HOSE ASSY 1.25 ID X 62 LG) . . .	2-230	7568408076 (HOSE ASSY 1.25 ID X 80 LG) . . .	2-155
7565306366 (HOSE ASSY 1.25 X 63 LG)	2-230	7568408676 (HOSE ASSY 1.25 ID X 86 LG) . . .	2-155
7565306561 (HOSE ASSY CODED 1.25 ID X 65 LG)	2-167	7573606917 (HOSE ASSY 1.00 ID X 69 LG) . . .	2-152
7565307066 (HOSE ASSY 1.25 ID X 70 LG) . . .	2-230	7573707617 (HOSE ASSY 1.25 ID X 76LG) . . .	2-167
7565307661 (HOSE ASSY 1.25 ID X 76 LG) . . .	2-179	7579403141 (HOSE ASSY 1.0 ID X 31 LG)	2-267
7565308061 (HOSE ASSY 1.25 ID X 80 LG) . . .	2-167	7579403241 (HOSE ASSY 1.00 ID X 32 LG) . . .	2-267
7565308463 (HOSE ASSY 1.25 ID X 84 LG) . . .	2-236	7579403442 (HOSE ASSY 1.00 ID X 34 LG) . . .	2-267
7565308861 (HOSE ASSY 1.25 ID X 88 LG) . . .	2-179	7579404541 (HOSE ASSY 1.00 ID X 44 LG) . . .	2-306
7565308863 (HOSE ASSY 1.25 ID X 88 LG) . . .	2-236	7660102534 (HEX LOCK NUT PA #10-32 UNF SS)	3-22
7565315164 (HOSE ASSY 1.25 ID X 151 LG)	2-260	7660140004 (HEX NUT 1/4-20UNC SS)	3-121
7565315764 (HOSE ASSY 1.25 ID X 157 LG)	2-260	7660152500 (HEX LOCK NUT PA 5/16-18UNC SS)	1-123, 1-173, 1-175, 6-17, 6-51, 6-77, 6-81, 6-89, 6-95, 6-99, 6-113
		7660260008 (HEX NUT 1-8UNC GR8)	1-101

ENU / 2016-03-18

810234372 (PIN QUICK RELEASE 12.0MM DIA X 75.0MM LG)	1-167	810240120 (GEAR BOX 126.4 RATIO HOIST)	2-20, 2-212
810234540 (FLANGE SPLIT)	2-36, 2-155, 2-219	810240151 (SLEWING DRIVE ASSY)	1-2
810235202 (BRACKET RIGHT CONSOLE COVER)	3-22	810240152 (SLEWING DRIVE ASSY LEFT SWING VPC MAX)	1-2
810235212 (BRACKET CONTROLLER MOUNT)	3-22	810240160 (GEAR BOX HOIST 84.7:1 RA- TIO)	2-80
810238272 (GAUGE LEVEL FUEL 21" HEIGHT)	4-90	810240172 (HOIST FRAME LIVE MAST)	2-20
810238652 (LIMIT SWITCH SUB- ASSY)	3-42, 3-92, 3-115, 3-148	810240182 (HOIST FRAME LIVE MAST)	2-20
810239070 (VALVE DIRECTIONAL CNTRL DO3 2 POS 4 WAY)	2-44, 2-54, 2-102, 2-106, 2-226, 2-242	810240191 (HOIST ASSY DRUM 2 AND 3)	2-2
810239290 (ELEC CONNECTOR)	3-120	81024020 (DRUM MACHINING)	2-48
810239310 (ELEC CONNECTOR SIZE 16 SOCKET)	3-120	810240222 (GEARBOX HOIST 120.5)	2-48
810239330 (ELEC CONNECTOR 31 CAVITIES SIZE 16)	3-120	81024023 (HOIST FRAME WHIP)	2-48
810239542 (CARBODY ASSY)	5-2	810240341 (SWIVEL MOUNTING PLATE ASSY)	5-2
810239601 (POWERTRAIN QSG12 TIER 4F)	4-2	810240361 (PIN PULLER CARBODY- CRAWLER)	1-2
810239621 (EXHAUST SYST QSG12 TIER 4 FINAL)	4-2	810240419 (CRAWLER ASSY DRIVE)	5-2
81023966 (ENGINE 450 HP QSG T4F)	4-23	810240472 (SHAFT INTERMEDIATE ROLLER 122MM DIA)	5-20
810239681 (AIR CLEANER INSTL 450 HP CUM- MINS)	4-2	810240480 (ROLLER ASSY CRAWLER IN- TER)	5-20
810239701 (COOLER ASSY 450 HP)	4-2	810240490 (ROLLER CRAWLER INTERMEDI- ATE 357MM)	5-23
810239721 (FUEL CIRCUIT 450 HP CUM- MINS)	4-2	810240501 (CWT TRAY ASSY)	1-2
810239731 (BATTERY CUMMINS QSG12 IN- STL)	4-2	810240551 (ROLLER ASSY VPC)	1-2
810239741 (HVAC 450 HP CUMMINS)	4-2	810240561 (HYD LINES INSTL VPC TROL- LEY)	2-2
810239782 (CAB MOUNTING ASSY)	1-2	810240721 (WINCH ASSY RIGGING)	2-2
810239802 (CAB SUPPORT WELD/MACHINING)	1-14	810240830 (WIRING HARNESS WCB1)	3-72
810239812 (CAB SUPPORT MTG FRAME)	1-14	810240861 (ESI CONSOLE RIGHT HAND)	3-22
81023984 (SLEWING RING BRG ASSY)	1-2	810240890 (DRIVE GEAR TUMBLER MACHIN- ING)	5-11
810239853 (LUBE SYST TURNTABLE BEAR- ING)	1-2	810241011 (WIRE ROPE 8 MM 5/16"DIA 1435FT)	2-68
810239861 (MAST RAISING ASSY, LIVE)	6-2	810241160 (CAP DUST SIZE 24)	3-146
810239871 (MAST ASSY LIVE MAST)	6-2	810242270 (PUMP GREASE 24VDC/2.0A)	1-67, 5-39
810240092 (HOIST LIVE MAST W/GEAR)	2-2	810243542 (CAB ASSY PURCHASED)	1-19
810240102 (DRUM 26MM ROPE)	2-20	810243950 (CCTV CAMERA 69°)	3-76, 3-78, 3-152
		810243960 (CCTV CAMERA 102°)	3-84
		810243990 (MONITOR, LED)	3-54

CLICK HERE TO **DOWNLOAD** THE COMPLETE MANUAL

- Thank you very much for reading the preview of the manual.
- You can download the complete manual from: www.heydownloads.com by clicking the link below



- Please note: If there is no response to CLICKING the link, please download this PDF first and then click on it.

CLICK HERE TO **DOWNLOAD** THE COMPLETE MANUAL