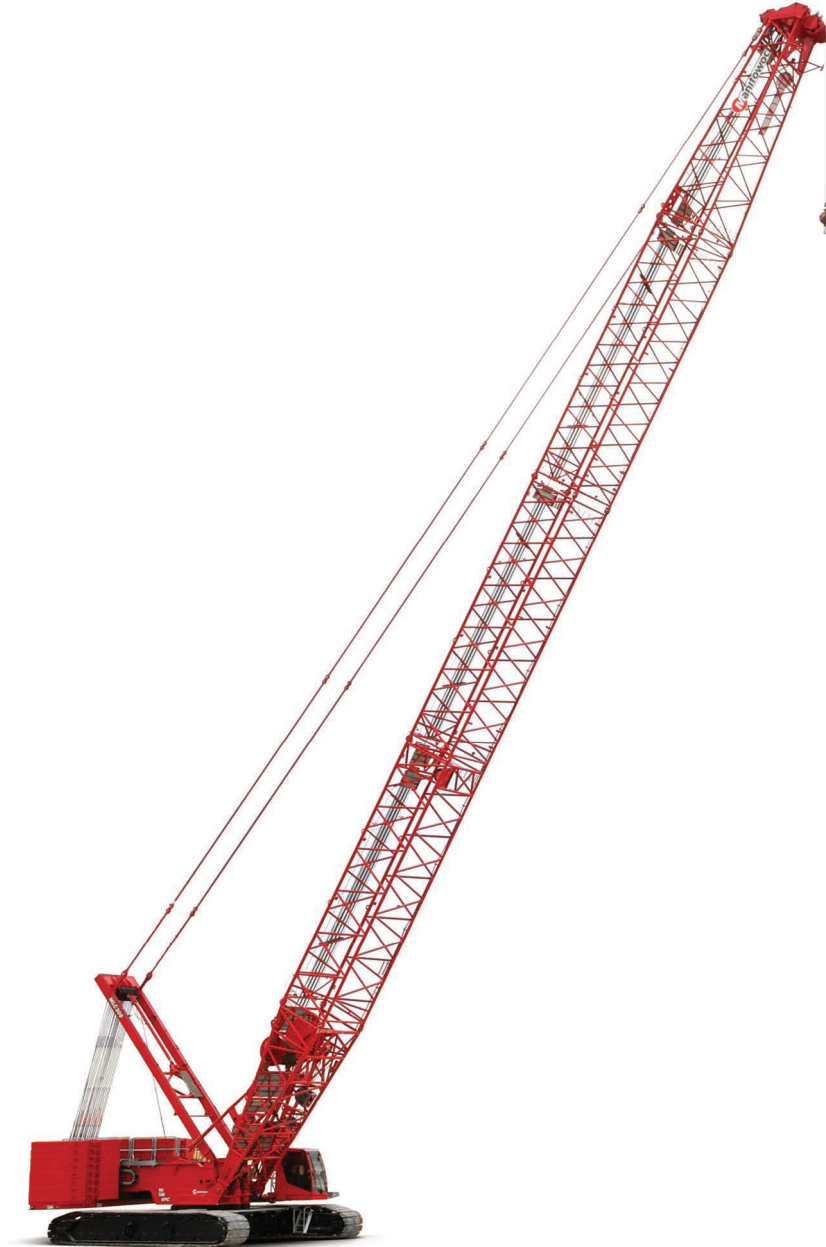


Manitowoc MLC300

605559

Parts Manual



ENU
2016-01-25

CLICK HERE TO **DOWNLOAD** THE COMPLETE MANUAL

- Thank you very much for reading the preview of the manual.
- You can download the complete manual from: www.heydownloads.com by clicking the link below



- Please note: If there is no response to CLICKING the link, please download this PDF first and then click on it.

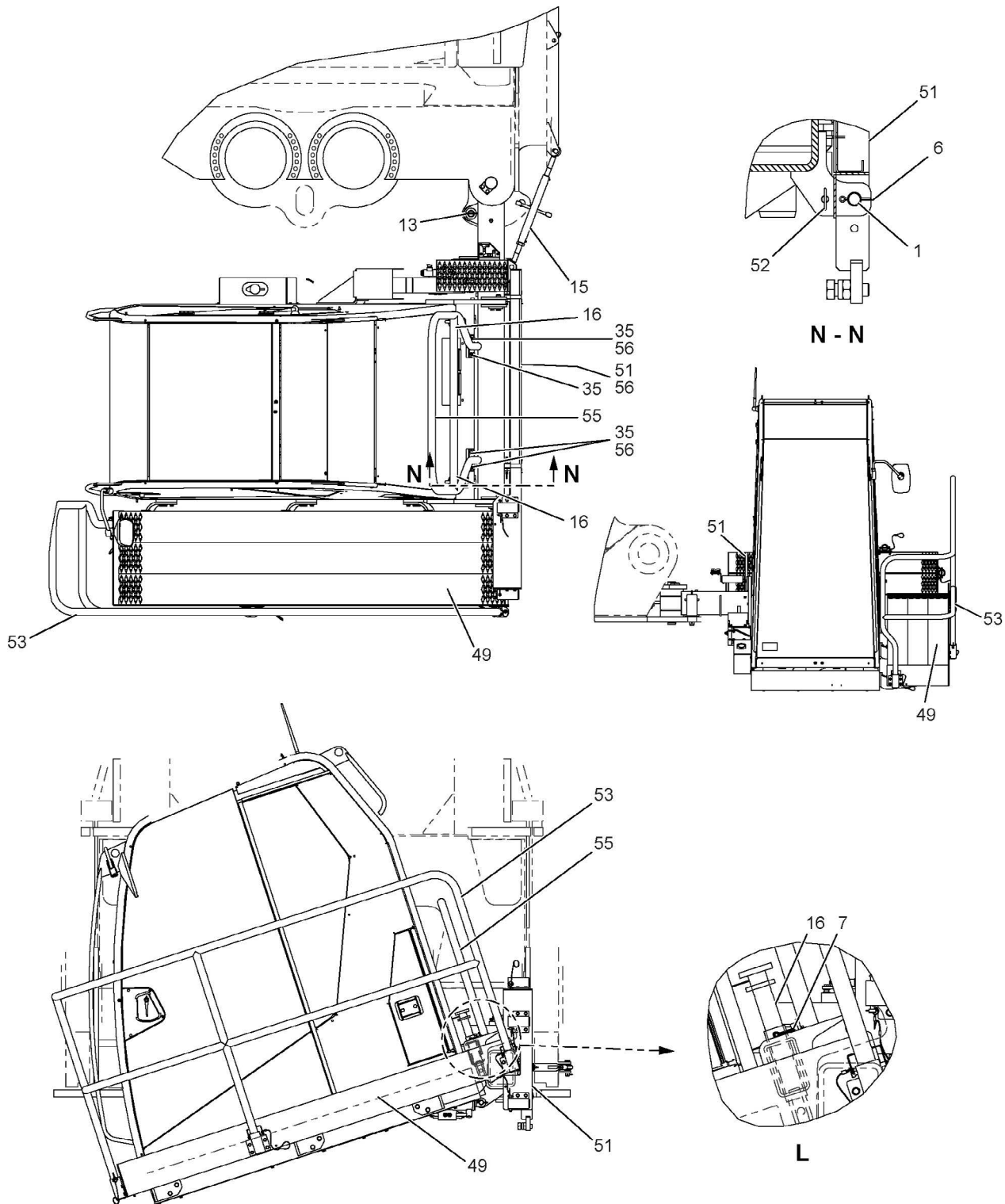
CLICK HERE TO **DOWNLOAD** THE COMPLETE MANUAL

2.22	HYD LINES INSTL ACCESS LOW PRESS (810274601) Rev G	2-188
2.23	HYD LINES INSTL ACC HIGH PRESS (810274611) Rev J	2-190
2.23.1	PIN HOSE STOWAGE (81042207) Rev B	2-192
2.24	HOIST ASSY LUFFING (810277081) Rev E	2-194
2.24.1	ESI DRUM 6 (810259471) Rev E	2-198
2.24.2	DRUM ASSY LUFFING HOIST (810277041) Rev A	2-202
2.24.3	PAWL ASSY (810284644) Rev A	2-204
2.24.4	HYD EQUIP DRUM 6 (810345341) Rev M	2-206
2.25	HYD LINES INSTL SWIVEL ROTATING BED (810279561) Rev E	2-220
2.26	HYD LINES INSTL SWING MOTOR CIRCUIT (810279571) Rev E	2-222
2.27	HYD LINES INSTL SWING MOTOR CIRCUIT (84022262) Rev A	2-224
2.28	HYD LINES INSTL DRUM 1/3 (810280421) Rev D	2-226
2.29	HYD EQUIP VPC TROLLEY (810288801) Rev H	2-228
2.29.1	VALVE MANIFOLD ASSY 2 BK D03 2-3P4W AL (810136490) Rev B	2-230
2.29.2	VALVE BANK 2BK ASY D032-2P4W AL (810136500) Rev B	2-232
2.29.3	VALVE BANK 2 BANK D05 3POS 4WAY (810255720) Rev D	2-236
2.29.4	ENERGY CHAIN TRAY SUPPORT (810357471) Rev C	2-238
2.30	HYD LINES INSTL CARBODY PIN PULL BRK (810292181) Rev D	2-240
2.31	HYD LINES INSTL LIVE MAST CYLINDER (810293821) Rev F	2-244
2.32	HYD LINES INSTL LIVE MAST CYLINDER (810296331) Rev F	2-246
2.32.1	Q DISCON FITTING HYDR NIPPLE -12ORBX-8 (810210270) Rev B	2-248
2.33	HYD LINES INSTL DRUM 6 (810340161) Rev G	2-250
2.33.1	Q DISC FITTING HYDR COUPLER -12ORBX-12 (810039130) Rev B	2-252
2.33.2	PIN HOSE STOWAGE (81042207) Rev B	2-254
2.34	HYD LINES INSTL DRUM 4 (810426841) Rev C	2-256
2.34.1	Q DISC FITTING HYDR COUPLER -12ORBX-12 (810039130) Rev B	2-260
2.34.2	Q DISC FITTING HYD CPLR-20 CODE 62X-24 (810114700) Rev C	2-262
2.34.3	Q DISCON FITTING HYDR COUPLER -8ORBX-6 (810121640) Rev B	2-264
2.34.4	PIN HOSE STOWAGE (81042207) Rev B	2-266
2.35	HYDL LINES INSTL PUMP DISCH (81035571) Rev F	2-268

1. ROTATING STRUCTURE

ROTATING STRUCTURE				
Pos.	Part	BOM Qty.	Foot Note	Description
2500	810287691 ➡ page 1-180	1		PARTS BOX ASSY
2540	81042177 ➡ page 1-188	1		GUARD ASSY VPC ROLLERS
2550	81042362 ➡ page 1-192	1		ENERGY CHAIN ASSY SHIPPING
2580	81042358 ➡ page 1-194	1		GUARD CYL & HOSE STOW
2610	81034048 ➡ page 1-196	1		DECAL ASSY (EN)

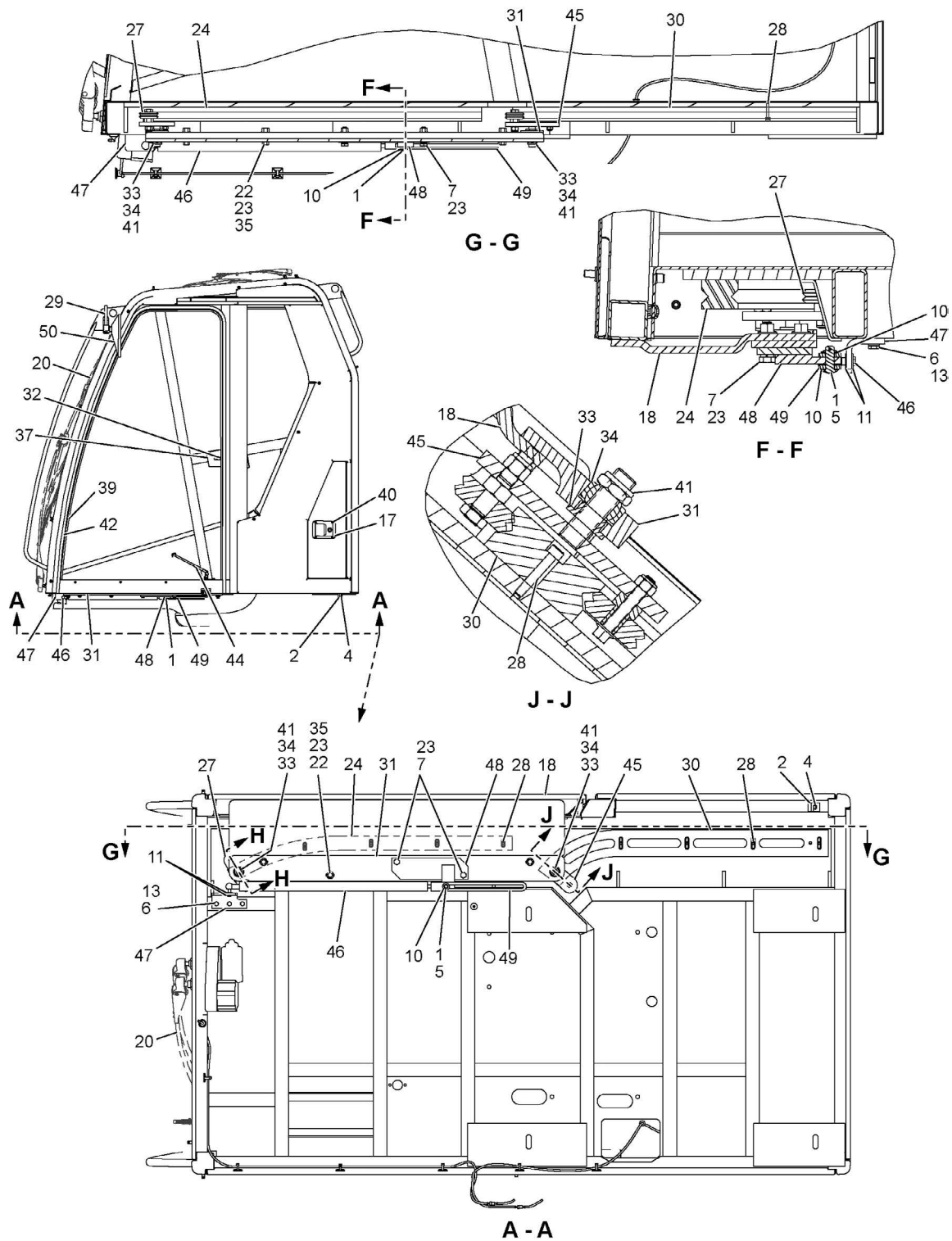
1. ROTATING STRUCTURE
 1.3 CAB MOUNTING ASSY (810239782) Rev J



ENU / 2016-01-25

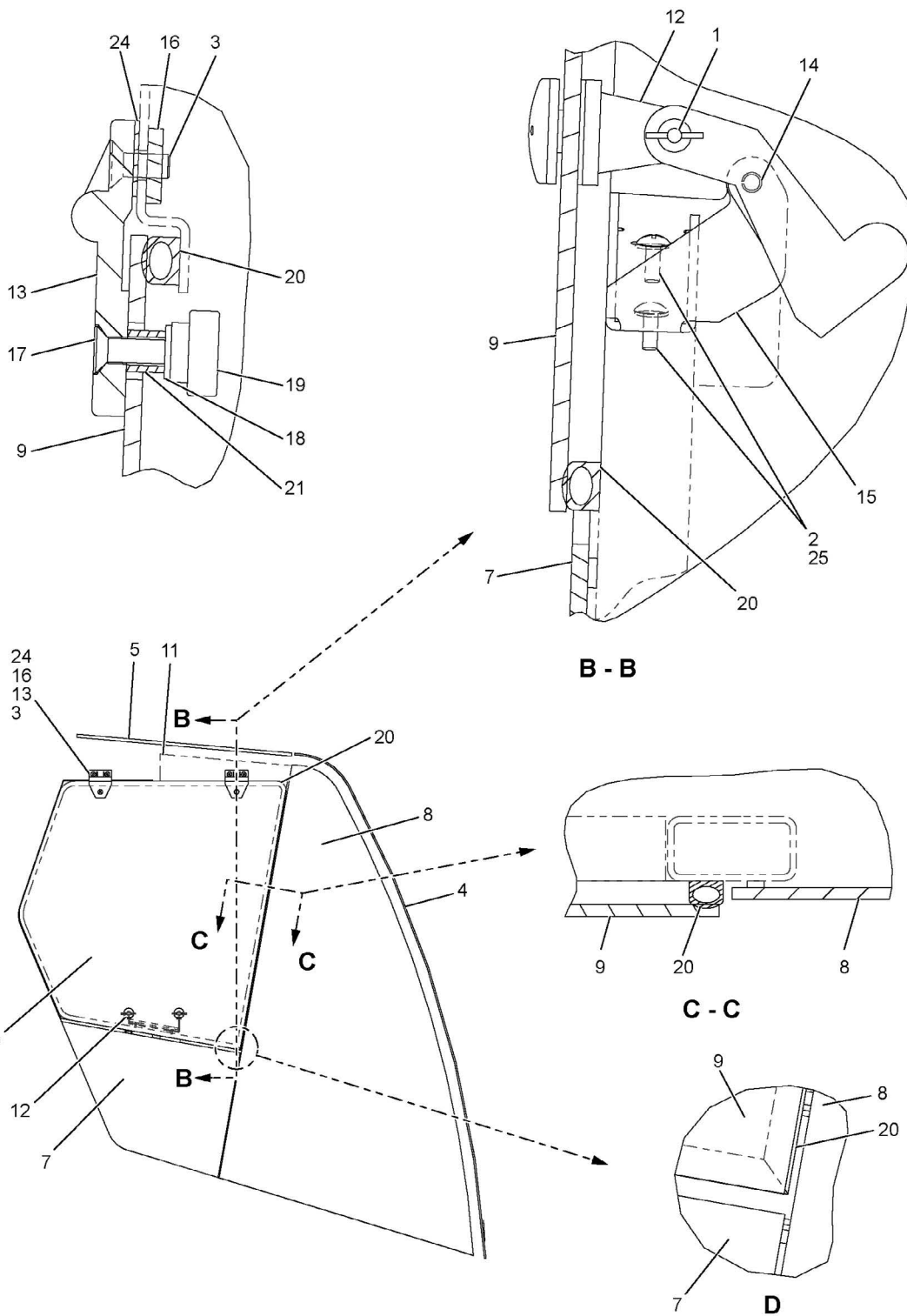
1. ROTATING STRUCTURE

1.3.1 CAB ASSY 24V CANBUS (810219121) Rev G



ENU / 2016-01-25

1. ROTATING STRUCTURE
1.3.1 CAB ASSY 24V CANBUS (810219121) Rev G



ENU / 2016-01-25

1. ROTATING STRUCTURE
1.3.1 CAB ASSY 24V CANBUS (810219121) Rev G

ROLLER ASSEMBLY (A037000) Rev B				
Pos.	Part	BOM Qty.	Foot Note	Description
1	5462740	1		HEX JAM NUT 7/16-20UNF GR 5
2	A026250	2		WHEEL GUIDE,SEALED BEARING
3	A026260	1		BUSHING,STATIONARY
4	A026270	1		BUSHING,ECCENTRIC JOURNAL
5	A027230	1		HFLGS
6	A027240	1		HEX LOCK NUT PA 8 8 ISO 7040
7	A029700	1		PLATE MOUNTING
8	A030240	1		STUD
9	A031990	1		HEX LOCK NUT PA 7/16-20UNF GR C

ENU / 2016-01-25

1. ROTATING STRUCTURE
1.3.1 CAB ASSY 24V CANBUS (810219121) Rev G

INSULATION ASSY CAB (810218772) Rev A				
Pos.	Part	BOM Qty.	Foot Note	Description
1	A025500	1		INSULATION LEFT FRONT
2	A025510	1		INSULATION LEFT REAR
3	A025520	1		INSULATION RIGHT FRONT
4	A025530	1		INSULATION RIGHT MIDDLE
5	A025540	1		INSULATION RIGHT REAR
6	A025550	1		INSULATION RIGHT REAR TOP
7	A025560	1		INSULATION REAR TOP
8	A025570	1		INSULATION REAR WALL LOWER
9	A025580	1		INSULATION REAR WALL RIGHT
10	A025590	1		INSULATION REAR WALL UPPER
11	A025740	1		INSULATION REAR WALL LEFT
12	A032070	1		INSULATION LOCKER DOOR


ENU / 2016-01-25

1. ROTATING STRUCTURE
1.4 LUBE SYST TURNTABLE BEARING (810239853) Rev D

LUBE SYST TURNTABLE BEARING (810239853) Rev D				
Pos.	Part	BOM Qty.	Foot Note	Description
1	810260460 ➡ page 1-64	1		PUMP GREASE 24VDC/2.0A
2	7126171353	3		HHCS M8X30 8.8 FLZN 4017
3	7951170014	3		F WASHER 8 ST ISO 7089
4	7951170210	3		L WASHER 8 ST DIN 7890
5	A067160 ➡ page 1-66	1		VALVE ASSY 6 BANK
6	A067170 ➡ page 1-68	1		VALVE AUTOLUBE ASSY 10 BANK .125 NPTF
7	A067180 ➡ page 1-70	1		VALVE ASSY 12 BANK
9	4285750	21		FITTING 90 DEG ELBOW QUICKLINC #243699
10	4290200	21		FITTING 1/8 X 1-1/4"
11	81037569	1		HOSE ASSY .125 ID X 110.0 LG
12	810269080	1		HOSE ASSY .125 ID X 50.0 LG
13	810269080	1		HOSE ASSY .125 ID X 50.0 LG
14	810223780	1		TUBE NYLON .25 OD X .05 W X 74 LG
15	810223780	1		TUBE NYLON .25 OD X .05 W X 74 LG
16	810268940	1		TUBE NYLON .25 OD X .05 W X 45 LG
17	810268960	1		TUBE NYLON .25 OD X .05 W X 48 LG
18	810268960	1		TUBE NYLON .25 OD X .05 W X 48 LG
19	810268940	1		TUBE NYLON .25 OD X .05 W X 45 LG
20	810268940	1		TUBE NYLON .25 OD X .05 W X 45 LG
21	810268940	1		TUBE NYLON .25 OD X .05 W X 45 LG
22	810268940	1		TUBE NYLON .25 OD X .05 W X 45 LG
23	810268940	1		TUBE NYLON .25 OD X .05 W X 45 LG
24	810268940	1		TUBE NYLON .25 OD X .05 W X 45 LG
25	810264000	1		TUBE RD .25 OD X .05WALL X 60LG NYLON
26	810264050	1		TUBE RD .25 OD X .05WALL X 55LG NYLON
27	810264050	1		TUBE RD .25 OD X .05WALL X 55LG NYLON
28	810268970	1		TUBE NYLON .25 OD X .05 W X 53 LG
29	810268970	1		TUBE NYLON .25 OD X .05 W X 53 LG
30	810268970	1		TUBE NYLON .25 OD X .05 W X 53 LG
31	810266850	1		TUBE RD .25 OD X .05 W X 65 LG NYLON
32	810266850	1		TUBE RD .25 OD X .05 W X 65 LG NYLON
33	810268990	1		TUBE NYLON .25 OD X .05 W X 80 LG
34	810264050	1		TUBE RD .25 OD X .05WALL X 55LG NYLON
35	3490060	9		CLAMP .62 DIA
36	6123510	9		HHCS 1/4-20UNC X 0.50 GR 5
37	7950140141	9		F WASHER 1/4"NAR MS
38	7126151653	6		HHCS M6X45 8.8 FLZN 4017
39	7951150014	12		F WASHER 6 ST ISO 7089
40	A172800	42		BOOT QUICKLINC 432-24313-1
41	7661150803	6		HEX LOCK NUT M6 8FLZN ISO7040

ENU / 2016-01-25

1. ROTATING STRUCTURE
1.5 SLEWING DRIVE ASSY (810240151) Rev E

SLEWING DRIVE ASSY (810240151) Rev E				
Pos.	Part	BOM Qty.	Foot Note	Description
1	810294212	1		COVER GEAR
2	810113060	3		WASHER RETAINING PLASTIC .375"
3	810209280	1		GEAR BOX PLANETARY SWING DRIVE
4	7127191253	3		HHCS M10X25 10.9 FLZN4017
5	7127221553	4		HHCS FULL THREAD 14 X 40 10.9
6	7128292154	14		SCR SKT HD M24-3 X 70 12.9 PLN
7	7951190014	3		F WASHER 10 ST ISO 7089
8	7951190220	3		L WASHER 10 ST DIN 127B
9	7951220015	4		F WASHER 14 HST ISO 7089
10	A056890  page 1-74	1		MOTOR HYD PISTON FIXED 75 CC/REV
11	810249210	1		VALVE QUICK DRAIN M22 X 1.5

1. ROTATING STRUCTURE
1.6.1 MOTOR HYD PISTON FIXED 75 CC/REV (A056890) Rev E

SEAL KIT OVERHAUL (5364675)				
Pos.	Part	BOM Qty.	Foot Note	Description
1	9632220246	1		GASKET, END CAP
2	9632220035	2		O-RING
3	7031235	1		O-RING
4	9722221350	1		SEAL, LIP
5	9754220027	1		O RING

ENU / 2016-01-25

1. ROTATING STRUCTURE
1.9 ROLLER ASSY VPC (810240551) Rev B

ROLLER ASSY VPC (810240551) Rev B				
Pos.	Part	BOM Qty.	Foot Note	Description
1	4290100	1		FITTING LUBRICATION .25NPT
2	810266952	1		SHAFT 127 X 250, 4340
3	810266960	1		BEARING TAPER ROLLER
4	81026697	1		NUT RING M95 2
5	810266990	2		SEAL GREASE ID 155.13
6	810267000	2		RETAINING RING INT 184 DIA
7	81026701	1		ROLLER 350 X 183 70
8	7787171614	8		SCREW SET M8 X 1.25 M8 X 1.25 DOG PT

ENU / 2016-01-25

1. ROTATING STRUCTURE
1.11 TROLLEY VPC ASSY (810256261) Rev H

TROLLEY VPC ASSY (810256261) Rev H				
Pos.	Part	BOM Qty.	Foot Note	Description
1	1949362	4		PIN 2 HOLE .750 DIA X 2.16 LG
2	5462730	4		HEX JAM NUT 3/4-16UNF GR5
3	5621050	8		PIN COTTER 1/4 DIA X 1.50 LG
4	5621100	8		PIN COTTER 1/4 DIA X 3.00 LG
6	81037072X	2		GEAR BOX VPC DRIVE
8	81025167X	2		HYD MOTOR 80CC PISTON FIX B1
9	810256272	1		CTWT TROLLEY MACHINING
15	810270980	4		CYL HYD VPC 50.8 BORE,140 MM STK
19	810286122	4		PLATE END
22	810296242	4		PIN 2 HOLE 50.0 DIA X 130.0 LG
23	810296252	4		PIN W/HD 70.0 DIA X 133.0 LG
24	810315242	2		PLATE KEEPER 3.2MM
30	7127211355	96		SFHCS M12X30 10.9 FLZ10642
31	7127271953	40		HHCS M20X60 10.9 FLZN4017
32	7128190758	8		SHSS 10 X 10 GR 12.9 ISO 7379
33	7128211554	8		SCR SKT HD M12-1.75 X 40 12.9 PLN
36	7787212513	6		HSSS AT 12 X 25 ST
39	7951210014	8		F WASHER 12 ST ISO 7089
40	7951270014	40		F WASHER 20 ST ISO 7089
42	810315252	2		PLATE KEEPER 3.2MM
43	810315260	4		PIN QUICK RELEASE LYNCH 0.19 DIA

ENU / 2016-01-25

1. ROTATING STRUCTURE
1.15 ROTATING BED HYDRAZORB INSTALL RB (810288161) Rev G

ROTATING BED HYDRAZORB INSTALL RB (810288161) Rev G				
Pos.	Part	BOM Qty.	Foot Note	Description
1	810250150	3		CHANNEL ANCHOR CLAMP 25.4 DP X 304.8.0LG
2	810250160	4		CHANNEL ANCHOR CLAMP 25.4 DP X 457.2LG
3	810250170	11		CHANNEL ANCHOR CLAMP 25.4 DP X 609.6 LG
4	810269870	7		CHANNEL 25.4 DP X 203.2 LG
7	7661210804	54		HEX LOCK NUT M12 10FLZN ISO7040
8	7951210014	112		F WASHER 12 ST ISO 7089
9	810250210	1		CHANNEL ANCHOR CLAMP 25.4 DP X 1219.2 LG
11	810269530	2		CHANNEL ANCHOR CLAMP 25.4 DP X 406.4 LG
12	81042295	1		BAR RD 50.4 X 1320.8
13	7127211554	4		SCR SKT HD M12-1.75 X 40 10.9 PLN
14	81026954	1		CHANNEL ANCHOR CLAMP 25.4 DP X 508 LG
15	81042808	2		WING NUT M12-1.75 DIN315 18-8
16	810288410	56		SBCS M12-1.75 X 30 10.9 SS

ENU / 2016-01-25

1. ROTATING STRUCTURE
1.16.1 PLATFORM ASSY ROT BED LH (810298032) Rev D

LANYARD ASSY PIN (810293652) Rev B				
Pos.	Part	BOM Qty.	Foot Note	Description
1	810070010	1 FT		WIRE ROPE 3/64 7X7 SS VC-1/16 CLEAR
2	810070020	2		SLEEVE 1/16 OVAL ALUMINUM
3	A126470	1		PIN SAFETY .38 DIA X 3.00 LG

ENU / 2016-01-25

1. ROTATING STRUCTURE
1.16.5 LANYARD ASSY PIN (810293652) Rev B

LANYARD ASSY PIN (810293652) Rev B				
Pos.	Part	BOM Qty.	Foot Note	Description
1	810070010	1 FT		WIRE ROPE 3/64 7X7 SS VC-1/16 CLEAR
2	810070020	2		SLEEVE 1/16 OVAL ALUMINUM
3	A126470	1		PIN SAFETY .38 DIA X 3.00 LG

ENU / 2016-01-25

1. ROTATING STRUCTURE
1.16.8 LADDER FOLDING ASSY (84025515) Rev A

LANYARD ASSY PIN (81041140) Rev A				
Pos.	Part	BOM Qty.	Foot Note	Description
1	810070010	1 FT		WIRE ROPE 3/64 7X7 SS VC-1/16 CLEAR
2	810070020	2		SLEEVE 1/16 OVAL ALUMINUM
3	5636940	1		PIN QUICK RELEASE .375 DIA X 4.50 LG

ENU / 2016-01-25

1. ROTATING STRUCTURE
1.16.11 PLATFORM ASSY ROT BED INSIDE (81042241) Rev B

PLATFORM ASSY ROT BED (81042928) Rev A				
Pos.	Part	BOM Qty.	Foot Note	Description
1	81037620	4		MOUNTING PAD M16X2.0 100
2	81042621	1		PLATFORM WELDMENT ROT BED
3	7126211853	3		HHCS M12X55 8.8 FLZN 4017
4	7661210003	3		HEX NUT M12 8FLZN ISO4032

ENU / 2016-01-25

1. ROTATING STRUCTURE
1.18.1 PLATFORM ASSY CARBODY SIDE (810269922) Rev A

PLATFORM ASSY CARBODY SIDE (810269922) Rev A				
Pos.	Part	BOM Qty.	Foot Note	Description
1	5620460	4		PIN COTTER 1/8 DIA X 1.75 LG
2	5637970	2		PIN QUICK RELEASE 3/4 X 3-3/4
3	6124070	12		HHCS 5/16-18UNC X 1.25 GR 5
4	810292732	2		PIN COTTER 2 HOLE 28.6 DIA X 88.9 LG
5	81030137	1		PLATFORM WELDMENT CARBODY
6	81030184	2		BEAM ASSY FORK TUBE
7	7127292353	2		HHCS M24X80 10.9 FLZN4017
8	7660152500	12		HEX LOCK NUT PA 5/16-18UNC SS
9	7661290003	2		HEX NUT M24 8FLZN ISO4032
10	7950150040	12		L Washer 5/16in Nar HRC44-51
11	7950150141	12		F WASHER 5/16 ST B18.21.1 NARROW

ENU / 2016-01-25

1. ROTATING STRUCTURE
1.21.1 BUTTON SOCKET 28 OR 32 WR (A062780) Rev E

BUTTON SOCKET 28 OR 32 WR (A062780) Rev E				
Pos.	Part	BOM Qty.	Foot Note	Description
1	9539220048	1		PIN, COTTER (3/8X3-1/2)
2	90024534	1		PIN

ENU / 2016-01-25

1. ROTATING STRUCTURE
1.25.1 VALVE ASSY QUICK DRAINER 120.0 LG (810249430) Rev A

VALVE ASSY QUICK DRAINER 120.0 LG (810249430) Rev A				
Pos.	Part	BOM Qty.	Foot Note	Description
1	3453370	1		CLAMP WORM DRIVE 0.69 - 1.50 ID
2	810249410	1		HOSE 0.75ID X 5598 X 120
3	810249470	1		FITTING ADPTR STRT QUICK DRAIN DRAINER

ENU / 2016-01-25

1. ROTATING STRUCTURE
1.27 ENERGY CHAIN ASSY SHIPPING (81042362) Rev B

ENERGY CHAIN ASSY SHIPPING (81042362) Rev B				
Pos.	Part	BOM Qty.	Foot Note	Description
1	5638510	2		PIN HAIRPIN COTTER .092 DIA X 1.62 LG
3	5638250	2		PIN SNAP
7	81042366	1		BRACKET ASSY HOSE STOWAGE
8	81042373	1		ROD 9.5 X 250 LG

ENU / 2016-01-25

2. UPPERWORKS MACHINERY
2.1 TANK HYD ASSY 552 L (81037936) Rev C

TANK HYD ASSY 552 L (81037936) Rev C				
Pos.	Part	BOM Qty.	Foot Note	Description
1	1770022	1		COVER
2	1770032	1		GASKET COVER
3	3772200	4		PIPE NIPPLE 3.00 X 2.63 LG
4	4296170	1		FITTING ADPTR 1/8 24SA-02
5	4603740	1		GAUGE LEVEL OIL 21" HEIGHT
6	5638230	4		PIN SAFETY .25 DIA X 1.75 LG
7	810249260	2		VALVE QUICK DRAIN 1-11.5 NPT
8	810291512	4		HANDLE VALVE OPERATOR
9	810291522	4		HANDLE VALVE OPERATOR
10	810291540	1		GASKET FILTER COVER
11	810291552	1		COVER HEATER
12	810291560	1		GASKET HEATER
13	810291580	1		SPRING RETAINING FILTER
14	81029159	4		PLATE VALVE MOUNTING
15	810291602	4		VALVE SELECTOR BUTTERFLY
16	81029161	4		F WASHER 50.8ODX27.0IDX3.0 MM
17	81029163	4		O-RING 158.8MM X5.3MM(-362)
18	81038756	1		SWITCH ASSY PRESSURE, 29 PSI
19	810292890	4		STRAINER HYD FILTER 3.00 NPT
20	81037907X	1		TANK HYD WELDMENT 552 L
21	81037987	1		GUARD LEVEL SENSOR
22	81038029	1		FILTER ELEMENT 10 MICRON 43 PSI BYPASS
23	81038727	1		COVER FILTER
24	7104100811	5		SCREW MACH PAN HEAD SLOTTED #10-32UNF
25	7111100510	4		SLOT RMS #10-24 UNC X .63
26	7126191253	8		HHCS M10X25 8.8 FLZN 4017
27	7126191453	4		HHCS M10X35 8.8 FLZN 4017
28	7126241654	32		SHCS 16 X 45 8.8
29	7661170803	6		HEX LOCK NUT M8 8FLZN ISO7040
30	7661190804	4		HEX LOCK NUT M10 10FLZN ISO7040
31	7951170014	3		F WASHER 8 ST ISO 7089
32	7951190014	16		F WASHER 10 ST ISO 7089
33	A030720	1		VALVE CHECK .125 NPT AIR TANK
34	A119270	1		SENSOR HYD FLUID TEMP -40 TO 130 DEG C
35	A164380 ▶ page 2-8	1		BREATHER VENT TANK H2O VAPOR 35CFM
36	A164650	1		FITTING ADAPTER SPECIAL
37	A175152	3		COVER ACCESS 10" ASSY FOR HYD AND FUEL
38	2888300	2		HEX BUSHING PIPE .25 X .125
39	3753030	1		COUPLING PLUG 1/8 NPT
40	3753040	1		CAP DUST COUPLING
41	81042376	1		SHEET METAL 1.5 X 190.0 X 266.0

ENU / 2016-01-25

2. UPPERWORKS MACHINERY
2.2 HYD LINE INSTL ENERGY CHAIN (810113011) Rev C

HYD LINE INSTL ENERGY CHAIN (810113011) Rev C				
Pos.	Part	BOM Qty.	Foot Note	Description
1	7555515763	1		HOSE ASSY .75 ID X 154 LG
2	7555515763	1		HOSE ASSY .75 ID X 154 LG
3	7555516261	1		HOSE ASSY .75 ID X 162 LG
4	810356190	1		HOSE ASSY .75 ID X 152 LG 797TC STOCK
5	7555516863	1		HOSE ASSY .75 ID X 165 LG
6	810356200	1		HOSE ASSY .75 ID X 166 LG 797TC STOCK
7	7555517161	1		HOSE ASSY .75 ID X 171 LG
8	810039130 → page 2-16	7		Q DISC FITTING HYDR COUPLER -12ORB X-12
9	810249010	1		WIRING HARNESS WV B1
10	81025600X	1		CHAIN ENERGY VPC ROT BED/VPC TRAY
11	7447121203	2		FITTING ADAPTER 90 DEG -120RFS X -120RB
12	7447121202	1		FITTING ADPTR STRT 12 ORFS X 12 ORB
13	7447121233	1		FITTING ADAPTER 90 DEG -120 RFS X -120RF
14	7447121238	4		90 DEG LONG ELBOW - MALE ORS T
15	810186010	1		NAMEPLATE ID TAG ROUND #001
16	810186020	1		NAMEPLATE ID TAG ROUND #002
17	810187030	1		NAMEPLATE ID TAG ROUND #003
18	810186040	1		NAMEPLATE ID TAG ROUND #004
19	810186050	1		NAMEPLATE ID TAG ROUND #005
20	810186060	1		NAMEPLATE ID TAG ROUND #006
21	810186070	1		NAMEPLATE ID TAG ROUND #007

ENU / 2016-01-25

2. UPPERWORKS MACHINERY
2.3.2 ESI DRUM 4 (810277261) Rev E

LIMIT SWITCH SUBASSY W/90 DEG CORD GRIP (810245252) Rev A				
Pos.	Part	BOM Qty.	Foot Note	Description
1	3643870	1		ELEC CONNECTOR MALE 3 POLE 13 AMP SEALED
2	4717170	1		CORD GRIP .50 NPT .25 - .375 CORD
3	5726060	1		PLUG ELEC LOCK W3P
4	6806940	3		TERMINAL PIN CONTACT MALE
5	810161270	1		SWITCH LIMIT
20	2971820	1 FT		CABLE WIRE 16 AWG 3 CONDUCTOR TYPE SDN
21	2972110	1 FT		CABLE WIRE 18 AWG XLPE TYPE TXL BLUE

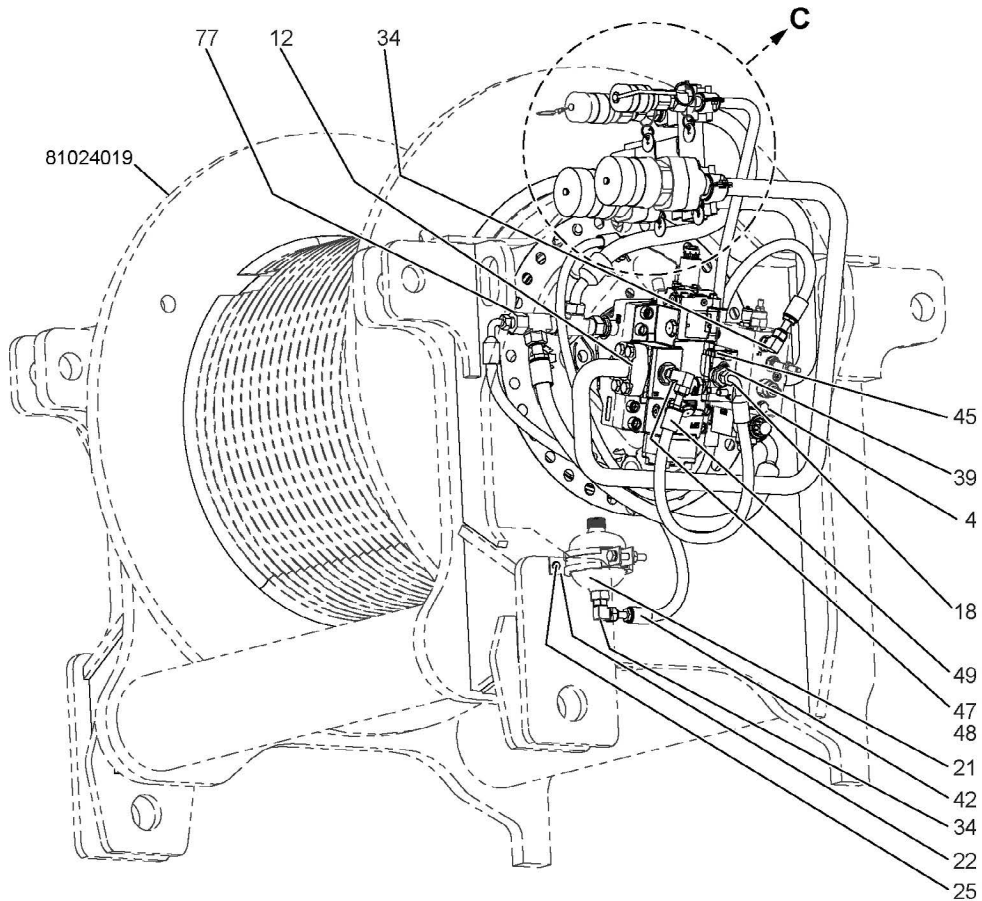
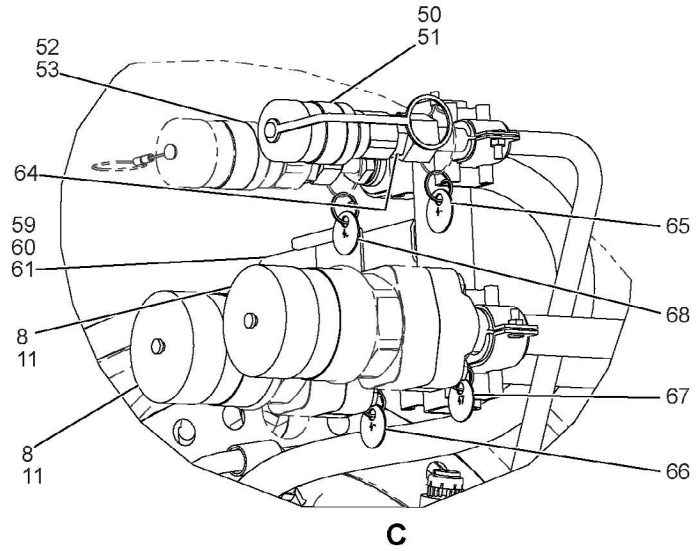
ENU / 2016-01-25

2. UPPERWORKS MACHINERY
2.3.3 HYD EQUIP DRUM 4 (810426831) Rev F

Q DISC FITTING HYD NIP -20 CODE 62X-24 (810042800) Rev D				
Pos.	Part	BOM Qty.	Foot Note	Description
1	810120180	1		FITTING QUICK DISC NIPPLE
2	90021783	1		CARTRIDGE KIT

ENU / 2016-01-25

2.4.1 HYD EQUIP DRUM 2 OR 3 (810340131) Rev H



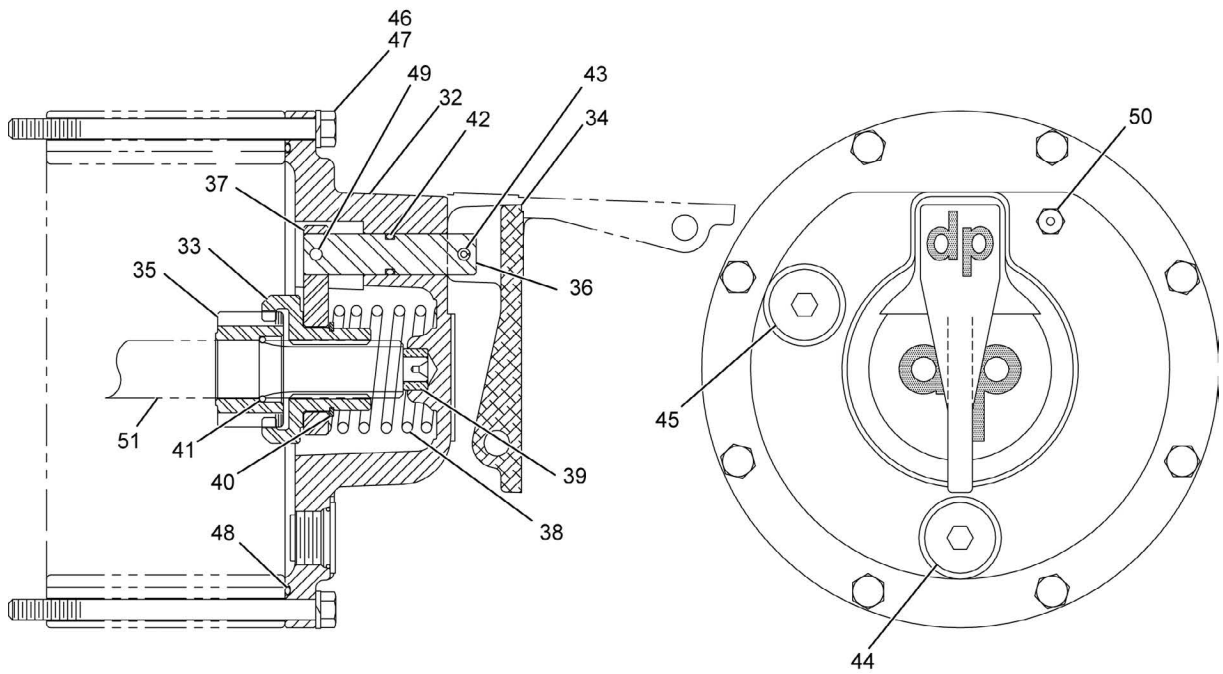
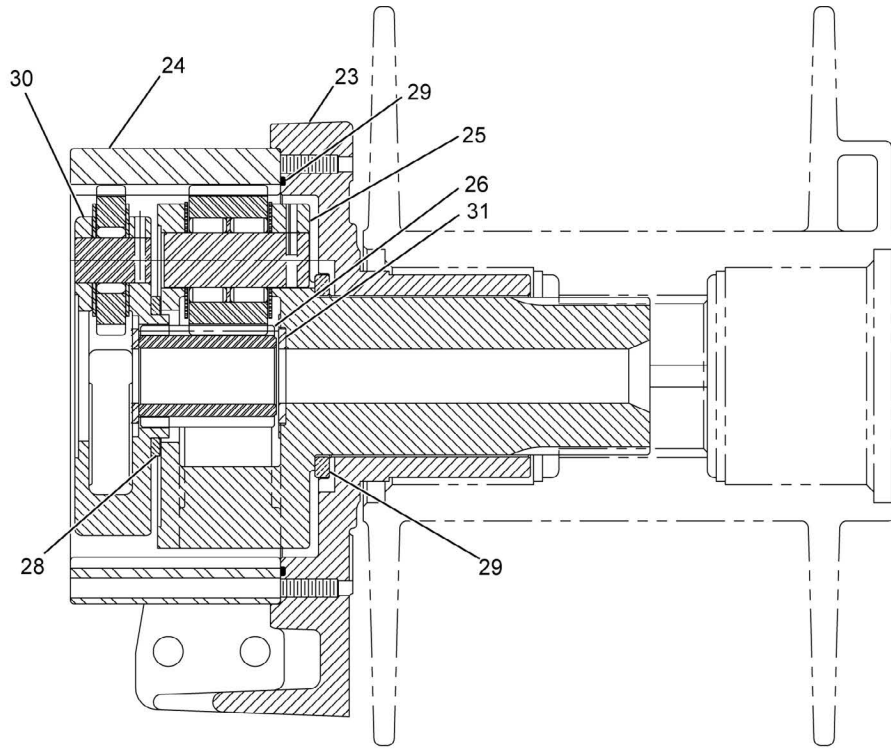
ENU / 2016-01-25

2. UPPERWORKS MACHINERY
2.4.1 HYD EQUIP DRUM 2 OR 3 (810340131) Rev H

Q DISCON FITTING HYD NIPPLE -12ORBX-12 (810039140) Rev B				
Pos.	Part	BOM Qty.	Foot Note	Description
1	810120120	1		FITTING QUICK DISC NIPPLE
2	90021777	1		CARTRIDGE KIT

ENU / 2016-01-25

2. UPPERWORKS MACHINERY
2.6.1 WINCH RIGGING (810099570) Rev C



ENU / 2016-01-25

**2. UPPERWORKS MACHINERY
2.7 DRUM ASSY MAIN (810250611) Rev G**

DRUM ASSY MAIN (810250611) Rev G				
Pos.	Part	BOM Qty.	Foot Note	Description
1	0197992	1		WEDGE ANCHOR 1.125 WIRE ROPE
2	2256650	1		BEARING SPH ROLLER 23.62 X 15.75 X 5.83
3	4290000	1		FITTING GREASE .125 NPT
4	5621740	8		PIN COTTER 1/2 DIA X 4.50 LG
5	6146230	4		HHCS 20 X 55 8.8
6	6223830	1		SEAL OIL 6.25 X 7.25 X.437
7	810240160	1		GEAR BOX HOIST 84.7:1 RATIO
8	810250622	1		DRUM MACHINING MACHINING 28MM ROPE
9	810252912	1		HOIST FRAME MAIN
10	810252922	1		HOIST FRAME BEARING SIDE MAIN
11	810256240	1		HYD MOTOR 250CC PIS VAR B1 24V
12	7126211353	3		HHCS M12X30 8.8 FLZN 4017
13	7126211653	4		HHCS M12X45 8.8 FLZN 4017
14	7128272054	62		SHCS 20 X 65 12.9
15	7951210014	4		F WASHER 12 ST ISO 7089
16	7951270014	4		F WASHER 20 ST ISO 7089
17	7951270210	4		L WASHER 20 ST DIN 7980
18	A003142	1		PLATE KEEPER 10MM (.394 IN)
19	A040042	1		RETAINER BEARING
20	A059702	4		PIN 2 HOLE 2.50 DIA X 4.47 LG
21	810249260	1		VALVE QUICK DRAIN 1-11.5 NPT
22	81039856 ➡ page 2-76	1		ROLLER ASSY DRUM #1
23	4280410	1		FITTING ADPTR 90 DEG 16 NPTF X 16NPTF Fittings must comply with the current
24	4285830	1		FITTING ADPTR FEMALE 1.00 NPT/1.00 BSPP
25	5438050	2		PIPE NIPPLE 1.00 DIA X 3.0 LG SCH 40 SST
27	81041058	1		FITTING ADPTR 1.0 BSP X 1.0 NPT
28	A194200	1		BREATHER VENT 1.0 GAS THREAD
29	81040542	1		O-RING 160.0 X 154.0 X 3.0
30	810300010	1		SENSOR SPEED H1 MOTOR
100	810253010	1		WIRE ROPE 28MM ASSY GENERIC
200	810260770	1		WIRE ROPE 28MM ASSY GENERIC
300	810245580	1		WIRE ROPE 28MM ASSY GENERIC

ENU / 2016-01-25

ENU / 2016-01-25

2. UPPERWORKS MACHINERY
2.9.3 VALVE BANK 2BK ASY D032-2P4W AL (810136500) Rev B

VALVE DIRECTIONAL CNTRL DO3 2 POS 4 WAY (810239070) Rev A				
Pos.	Part	BOM Qty.	Foot Note	Description
1	90038353	1		COIL 810239070 VALVE
2	90038354	1		SEAL KIT 810239070 VALVE

ENU / 2016-01-25

2. UPPERWORKS MACHINERY
2.9.8 VALVE DIRECTIONAL CNTRL SELECTOR (A113480) Rev D

VALVE DIRECTIONAL CNTRL SELECTOR (A113480) Rev D				
Pos.	Part	BOM Qty.	Foot Note	Description
1	9926220226	1		CARTRIDGE, PILOT OPER SHUTTLE
2	9926220227	1		KIT, SEAL


ENU / 2016-01-25

2. UPPERWORKS MACHINERY
2.10.1 VALVE MANIFOLD ASSY 2 BK D03 2-3P4W AL (810136490) Rev B

VALVE MANIFOLD ASSY 2 BK D03 2-3P4W AL (810136490) Rev B				
Pos.	Part	BOM Qty.	Foot Note	Description
1	7034100	1		VALVE MANIFOLD 2
2	810270870	2		VALVE PROPORTIONAL 3 POS, 4 WAY, 30 LPM

ENU / 2016-01-25

2. UPPERWORKS MACHINERY
2.13.1 FRAME HOSE STOWAGE (81041424) Rev D

FRAME HOSE STOWAGE (81041424) Rev D				
Pos.	Part	BOM Qty.	Foot Note	Description
1	81037652	2		FITTING PLUG MOUNTING, -12 QD
2	81037653	4		FITTING PLUG MOUNTING, -24 QD
3	81037824	2		FITTING PLUG MOUNTING, -16 QD
4	81041313	1		BRACKET HOSE STOWAGE
11	810115390	8		WIRE RING COTTER 1.00 OD
12	81041239	8		PIN LOCKING 0.25 DIA X 1.38L
13	81042207  page 2-126	8		PIN HOSE STOWAGE
14	81042402	1		BRACKET HOSE STOWAGE
15	7127191453	2		HHCS M10X35 10.9 FLZN4017
16	7661191103	2		HEX LOCK NUT M10 8FLZN ISO7042
17	7951190014	4		F WASHER 10 ST ISO 7089
18	81041238	8		LANYARD STAINLESS 12 IN

ENU / 2016-01-25

2. UPPERWORKS MACHINERY
2.14.1 Q DISCON FITTING HYDR NIPPLE -8ORBX-6 (810121650) Rev B

Q DISCON FITTING HYDR NIPPLE -8ORBX-6 (810121650) Rev B				
Pos.	Part	BOM Qty.	Foot Note	Description
1	90021804	1		CARTRIDGE KIT

ENU / 2016-01-25

Q DISC FITTING HYDR COUPLER -12ORBX-12 (810039130) Rev B				
Pos.	Part	BOM Qty.	Foot Note	Description
1	810120130	1		FITTING QUICK DISC COUPLER

2. UPPERWORKS MACHINERY
2.19 HYD LINES INSTL DRUM 1 PREP (810274541) Rev G

HYD LINES INSTL DRUM 1 PREP (810274541) Rev G				
Pos.	Part	BOM Qty.	Foot Note	Description
1	3455120	3		CLAMP TUBE 1.00 DIA
2	3455130	9		CLAMP TUBE 1.25 DIA
3	3456840	6		CLAMP TUBE 0.63 DIA
4	4282230	1		FITTING ADPTR STRT 60RFS X 60RB
5	4282240	2		FITTING ADPTR STRT 60RFS X 80RB
6	4282370	4		FITTING ADPTR 90 DEG 60RFS X 60RB
7	4295320	1		FITTING PLUG -6 ORB
8	4284120	1		FITTING ADPT STRAIGHT -160RFS X -80RFS
9	4316370	1		SPLIT FLANGE KIT -16 7/16-14 X 1.75
10	4316470	2		SPLIT FLANGE KIT -24 5/8-11 X 2.25 62
11	4316490	8		SPLIT FLANGE KIT -20 1/2-13 X 1.75
15	810039130 ➡ page 2-144	1		Q DISC FITTING HYDR COUPLER -12ORB X-12
16	810039140 ➡ page 2-160	2		Q DISCON FITTING HYD NIPPLE -12ORB X-12
17	810039150	2		CAP DUST -12
19	810042800 ➡ page 2-162	2		Q DISC FITTING HYD NIP -20 CODE 62X-24
20	810043080	4		CAP DUST -24
22	810048570	2		Q DISCON FITTING 24 SCREW/24 FLANGE
23	810056510	1		CAP DUST 20
24	810114700 ➡ page 2-146	2		Q DISC FITTING HYD CPLR-20 CODE 62X-24
25	810114770	3		SPLIT FLANGE ASSY -20 12X45 414BAR
26	810121640 ➡ page 2-166	2		Q DISCON FITTING HYDR COUPLER -8ORB X-6
28	81018608	3		NAMEPLATE ID TAG ROUND #008
29	81018609	3		NAMEPLATE ID TAG ROUND #009
30	81018611	3		NAMEPLATE ID TAG ROUND #011
31	81018616	1		NAMEPLATE ID TAG ROUND #016
32	81018617	1		NAMEPLATE ID TAG ROUND #017
33	81018610	3		NAMEPLATE ID TAG ROUND #010
35	810216660	1		Q DISCON FITTING NIPPLE 16 CODE 62 X 20
36	810250170	1		CHANNEL ANCHOR CLAMP 25.4 DP X 609.6 LG
37	810250180	1		CHANNEL ANCHOR CLAMP 25.4 DP X 762.0 LG
38	810253160	1		ACCUMULATOR 0.5 LITER ASME STEEL
39	810253172	1		BRACKET ACCUMULATOR
40	810253232	1		BRACKET ACCUMULATOR MOUNT
41	810269570	1		CHANNEL 25.4 DP X 711.2 LG
42	810269890	2		TUBE ASSY
45	810288410	8		SBCS M12-1.75 X 30 10.9 SS
46	810293120	1		TUBE PREFORMED 1.25 OD X .187 WALL
47	810295850	1		TUBE PREFORMED 1.00 OD X .120 WALL
48	81040376	2		TUBE ASSY 1.25 OD X .187 WALL

ENU / 2016-01-25

2. UPPERWORKS MACHINERY
2.19.4 Q DISC FITTING HYD CPLR-20 CODE 62X-24 (810114700) Rev C

Q DISC FITTING HYD CPLR-20 CODE 62X-24 (810114700) Rev C				
Pos.	Part	BOM Qty.	Foot Note	Description
1	810120190	1		FITTING QUICK DISC COUPLER

ENU / 2016-01-25

2. UPPERWORKS MACHINERY
2.20 HYD LINES INSTL DRUM 6 PREP (810274551) Rev E

HYD LINES INSTL DRUM 6 PREP (810274551) Rev E				
Pos.	Part	BOM Qty.	Foot Note	Description
65	81037653	2		FITTING PLUG MOUNTING, -24 QD
66	81042207 → page 2-182	5		PIN HOSE STOWAGE
67	81041238	5		LANYARD STAINLESS 12 IN
68	810115390	5		WIRE RING COTTER 1.00 OD
69	81041239	5		PIN LOCKING 0.25 DIA X 1.38L
70	84020120 → page 2-184	1		MANIFOLD BLOCK RETURN ASSY
71	84020122	1		SPACER PLATE 6MM
72	7126211353	2		HHCS M12X30 8.8 FLZN 4017
73	7126211453	1		HHCS M12X35 8.8 FLZN 4017

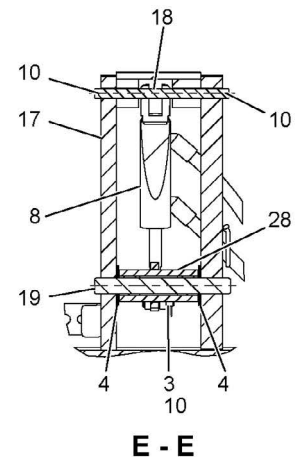
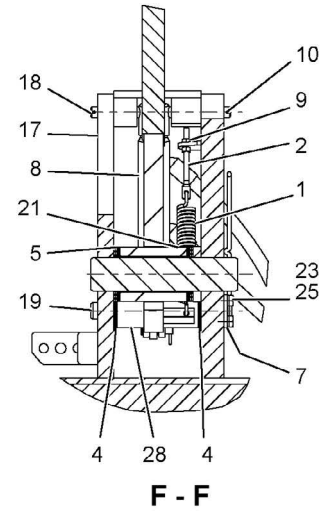
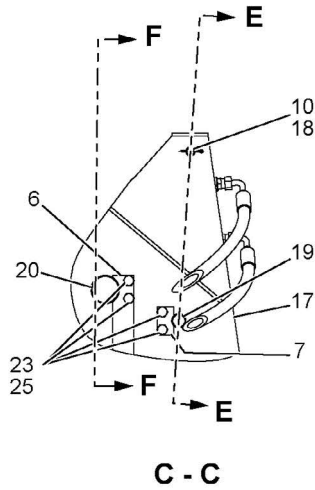
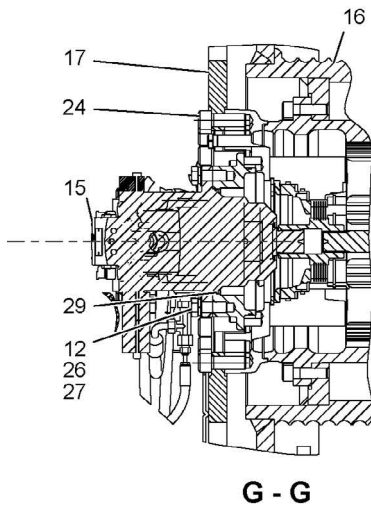
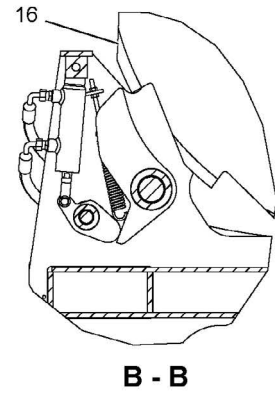
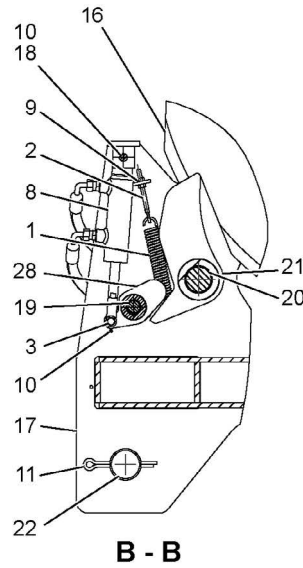
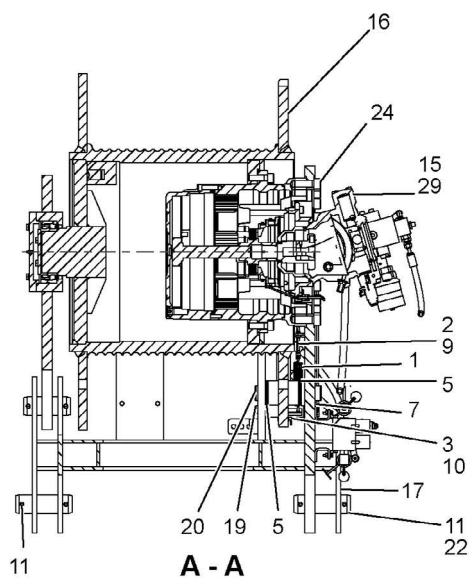
ENU / 2016-01-25

2. UPPERWORKS MACHINERY
2.20.5 MANIFOLD BLOCK RETURN ASSY (84020120) Rev B

MANIFOLD BLOCK RETURN ASSY (84020120) Rev B				
Pos.	Part	BOM Qty.	Foot Note	Description
1	4317340	1		FLANGE PLUG 1.00" CODE 62
2	5966930	2		O-RING 1.852 X 1.296 X .139 X 90
3	810056510	1		CAP DUST 20
4	810122950	3		FITTING PLUG -16 ORB, SAE INTERNAL HEX
5	810160840	1		FLANGE SPLIT PAIR -16 6.0 KSI
6	810216660	1		Q DISCON FITTING NIPPLE 16 CODE 62 X 20
7	81040677	1		MANIFOLD BLOCK -16 CODE 62X-16 ORB
8	81040678	1		PLATE MANIFOLD
9	7126192650	2		HHCS M10X100 8.8 FLZN4014
10	7126212850	4		HHCS M12X120 8.8 FLZN4014
11	7661190804	2		HEX LOCK NUT M10 10FLZN ISO7040
12	7951190014	2		F WASHER 10 ST ISO 7089

ENU / 2016-01-25

2. UPPERWORKS MACHINERY
2.24 HOIST ASSY LUFFING (810277081) Rev E



ENU / 2016-01-25

2. UPPERWORKS MACHINERY
2.24.3 PAWL ASSY (810284644) Rev A

PAWL ASSY (810284644) Rev A				
Pos.	Part	BOM Qty.	Foot Note	Description
1	2898230	2		BUSHING COMPOSITE 2 X 2-3/16 X 1-1/2
2	810284652	1		PAWL WELDMENT

ENU / 2016-01-25

2. UPPERWORKS MACHINERY
2.24.4 HYD EQUIP DRUM 6 (810345341) Rev M

Q DISC FITTING HYD NIP -20 CODE 62X-24 (810042800) Rev D				
Pos.	Part	BOM Qty.	Foot Note	Description
1	810120180	1		FITTING QUICK DISC NIPPLE
2	90021783	1		CARTRIDGE KIT

ENU / 2016-01-25

2. UPPERWORKS MACHINERY
2.27 HYD LINES INSTL SWING MOTOR CIRCUIT (84022262) Rev A

HYD LINES INSTL SWING MOTOR CIRCUIT (84022262) Rev A				
Pos.	Part	BOM Qty.	Foot Note	Description
1	4282380	1		FITTING ADAPTER 90 DEG -120RFS/-120R
2	4282600	1		FITTING ADPTR 90 DEG 60RFS X 60RFS
3	4283350	1		FITTING TEE IE 845-TTO-12
4	4316370	4		SPLIT FLANGE KIT -16 7/16-14 X 1.75
5	6926560	8.330 FT		TRIM LOC 100.0 LG
6	7447060605	1		FITTING ADAPTER TEE -60RFS X -60RFS
7	7447060633	1		FITTING ADAPTER 90 DEG -60RFS X -60RFS
8	7447080651	1		FITTING
9	7565206628	1		HOSE ASSY 1.00 ID X 66 LG
10	7565206628	1		HOSE ASSY 1.00 ID X 66 LG
11	7555204601	1		HOSE ASSY .375 ID X 46.00 LG
12	7555506401	1		HOSE ASSY .75 ID X 64 LG

ENU / 2016-01-25

2. UPPERWORKS MACHINERY
2.29.2 VALVE BANK 2BK ASY D032-2P4W AL (810136500) Rev B

VALVE DIRECTIONAL CNTRL DO3 2 POS 4 WAY (810239070) Rev A				
Pos.	Part	BOM Qty.	Foot Note	Description
1	90038353	1		COIL 810239070 VALVE
2	90038354	1		SEAL KIT 810239070 VALVE

ENU / 2016-01-25

2. UPPERWORKS MACHINERY
2.31 HYD LINES INSTL LIVE MAST CYLINDER (810293821) Rev F

HYD LINES INSTL LIVE MAST CYLINDER (810293821) Rev F				
Pos.	Part	BOM Qty.	Foot Note	Description
1	3455150	2		CLAMP TUBE 0.50 DIA
2	4282260	2		FITTING ADPTR 90 DEG 80RFS X 80RB
3	4282610	2		FITTING 90 DEG ELBOW 08
4	4283890	4		FITTING ADPTR STRT 80RFS X 120RB
5	4284200	2		FITTING ADPTR 90 DEG 80RFS X 120RB
6	4284640	2		FITTING ADPTR 90 DEG 80RES X 80RFS
7	4284850	12		FITTING ADPTR STRT 80RFS X 80RFS
10	810267680	2		UNION JOINT ROTATING 12 90DEG PS12
11	810272000	7		CLAMP 12.7MM-12.7MM DIA GRP2 DIN3015
12	7126171453	7		HHCS M8X35 8.8 FLZN 4017
13	810276030	7		COVER PLATE DIN3015 GROUP 2
14	810294822	8		TUBE PREFORMED .50 OD X .083 WALL C1010
15	810294830	1		TUBE PREFORMED .50 OD X .083 WALL C1010
16	810294842	1		TUBE PREFORMED .50 OD X .083 WALL C1010
17	810295402	1		TUBE PREFORMED .50 OD X .083 WALL
18	810295412	1		TUBE PREFORMED .50 OD X .083 WALL
26	7555309080	1		HOSE ASSY .50 ID X 69 LG
27	7555309580	1		HOSE ASSY .50 ID X 69 LG
28	7555306780	1		HOSE ASSY CODED .50 ID X 57 LG
29	810210280	2		Q DISC FITTING HYDR COUPLER -12ORBX-8
30	81037654	2		FITTING PLUG MOUNTING, -.08 QD
31	81041537	2		TUBE PREFORMED .50 OD X .083 WALL
32	81042138	1		BRACKET HOSE STOWAGE
33	7126191053	2		HHCS 10 X 16 8.8 FULL THREAD
34	7128211354	2		SHCS 12 X 30 12.9
35	7447081201	2		FITTING ADAPTER STRAIGHT -80RFS X -120RB
36	7661210803	2		HEX LOCK NUT M12 8FLZN ISO7040
37	810186530	1		NAMEPLATE
38	810186540	1		NAMEPLATE
39	5811170	1 FT		GUARD PROTECTOR NYLON VELCRO SHEET
40	A165002	2		CABLE TIE .31 W X 4.0 BUNDLE
41	7555307181	1		HOSE ASSY .50 ID X 62 LG

ENU / 2016-01-25

2. UPPERWORKS MACHINERY
2.33.2 PIN HOSE STOWAGE (81042207) Rev B

PIN HOSE STOWAGE (81042207) Rev B				
Pos.	Part	BOM Qty.	Foot Note	Description
2	81041503	1		PIN 1 HOLE 25.0 DIA X 60.0 LG
3	7661210804	1		HEX LOCK NUT M12 10FLZN ISO7040

ENU / 2016-01-25

2. UPPERWORKS MACHINERY
2.34.3 Q DISCON FITTING HYDR COUPLER -8ORBX-6 (810121640) Rev B

Q DISCON FITTING HYDR COUPLER -8ORBX-6 (810121640) Rev B				
Pos.	Part	BOM Qty.	Foot Note	Description
1	90021802	1		CARTRIDGE KIT

ENU / 2016-01-25

2. UPPERWORKS MACHINERY
2.36.2 PIN HOSE STOWAGE (81042207) Rev B

PIN HOSE STOWAGE (81042207) Rev B				
Pos.	Part	BOM Qty.	Foot Note	Description
2	81041503	1		PIN 1 HOLE 25.0 DIA X 60.0 LG
3	7661210804	1		HEX LOCK NUT M12 10FLZN ISO7040

ENU / 2016-01-25

CLICK HERE TO **DOWNLOAD** THE COMPLETE MANUAL

- Thank you very much for reading the preview of the manual.
- You can download the complete manual from: www.heydownloads.com by clicking the link below



- Please note: If there is no response to CLICKING the link, please download this PDF first and then click on it.

CLICK HERE TO **DOWNLOAD** THE COMPLETE MANUAL

2. UPPERWORKS MACHINERY
2.39 HYD LINES INSTL CIRC COOLER FILTER (81038067) Rev E

HYD LINES INSTL CIRC COOLER FILTER (81038067) Rev E				
Pos.	Part	BOM Qty.	Foot Note	Description
1	3455160	2		CLAMP TUBE 1.50 DIA
2	3456750	1		CLAMP TUBE 2.50 DIA
3	4295320	2		FITTING PLUG -6 ORB
4	4316410	2		FLANGE ASSY SPLIT CODE 61 W/HARDWARE
5	4316420	2		FLANGE ASSY SPLIT CODE 61 W/HARDWARE
6	4316440	6		FLANGE ASSY SPLIT CODE 61 W/HARDWARE
7	810136510	1		TUBE PREFORMED 1.50 OD X .095 WALL
8	810321590	1		TUBE PREFORMED 1.50 OD X .095 WALL
9	81035471	1		FITTING ADPTR STRT MALE 24 ORB TO 24#61
10	81037861	1		TUBE PREFORMED 1.50 OD X .095 WALL
11	81040867	1		HOSE ASSY 1.50 ID X 31 LG
12	81038443	1		TUBE PREFORMED 1.50 OD X .095 WALL
13	81040869	1		HOSE ASSY 1.25 ID X 45 LG
14	7546805610	1		HOSE ASSY 1.50 OD X 56 LG
16	5966920	1		O-RING 2.040 X 1.484 X .139
19	810159870	1		FLANGE -20 CODE 61 90 DEG
20	810160940	1		FLANGE SPLIT CODE 61 20 4.0KSI
25	A125950	1		FLANGE CONNECTOR PLATE CODE 61 -20
26	7126192850	4		HHCS 10 X 120 8.8
27	7661190804	4		HEX LOCK NUT M10 10FLZN ISO7040
28	7951190014	4		F WASHER 10 ST ISO 7089
29	810270400	2		CLAMP 1.5 DIA DIN3015
30	810270640	2		PLATE DIN 3015 GROUP 3
31	7126192553	4		HHCS FULL THREAD 10 X 90 8.8
32	7661190803	4		HEX LOCK NUT M10 8FLZN ISO7040
33	7951210014	4		F WASHER 12 ST ISO 7089

ENU / 2016-01-25

2. UPPERWORKS MACHINERY
2.40.2 PIN HOSE STOWAGE (81042207) Rev B

PIN HOSE STOWAGE (81042207) Rev B				
Pos.	Part	BOM Qty.	Foot Note	Description
2	81041503	1		PIN 1 HOLE 25.0 DIA X 60.0 LG
3	7661210804	1		HEX LOCK NUT M12 10FLZN ISO7040

ENU / 2016-01-25

3. CONTROLS, ELECTRICAL
3.1 CAMERA ASSY CCTV W/BRACKET (81041871) Rev A

CAMERA ASSY CCTV W/BRACKET (81041871) Rev A				
Pos.	Part	BOM Qty.	Foot Note	Description
1	2528070	1		EYE BOLT 1/4-20 UNC 2A X 1 WMS EB
2	810044730	1		CAMERA CCTV AUTOFOCUS ZOOM
3	810153150	1		BRACKET OIL DAMPED BRACKET
4	810153162	1		BRACKET WELDMENT BOOM TOP CAMERA
5	7126211353	4		HHCS M12X30 8.8 FLZN 4017
6	7951210210	4		L WASHER 12 ST DIN 7980
7	81039262	1		WIRING HARNESS CCTV 7P WJT3
8	6670070	5		STRAP NYLON CABLE TIE 7.4

ENU / 2016-01-25

3. CONTROLS, ELECTRICAL
3.3.1 CONSOLE LEFT HAND ASSY (810197471) Rev D

LIGHT ASSY CONSOLE BACKLIGHT 24VDC (810174260) Rev B				
Pos.	Part	BOM Qty.	Foot Note	Description
1	810174250	1		LAMP LED 24VDC WHITE
2	5725980	1		RECEPTACLE 2 POLE WITH PINS
3	6806940	2		TERMINAL PIN CONTACT MALE

ENU / 2016-01-25

3. CONTROLS, ELECTRICAL
3.3.2 CONSOLE RIGHT HAND ASSY (81037044) Rev E

DISPLAY CCS COLOR (84020921) Rev B				
Pos.	Part	BOM Qty.	Foot Note	Description
1	03140562	1		INDICATOR PLATE ATTENTION 54644 MSC
2	80075725	1		CCS COLOR DISPLAY

ENU / 2016-01-25

3. CONTROLS, ELECTRICAL
3.3.2 CONSOLE RIGHT HAND ASSY (81037044) Rev E

ESI R CONSOLE RECPT (81036291) Rev C				
Pos.	Part	BOM Qty.	Foot Note	Description
1	3503380	1		CLOSURE PLUG DOME BLACK FOR HOLE .875"
2	5460500	2		HEX NUT 8-32UNC STEEL
3	5460750	2		HEX NUT 6-32UNC STEEL
4	6184170	2		PHIL TMS 8-32UNC X .50 GR 1
5	6222930	1		LOCTITE #242 50ML
6	7103190	2		L WASHER MEDIUM #8 ST B18.21.1
7	810091060	1		BUSHING OPEN/CLOSED
8	810226970	1		BATTERY BOX AA
9	81036292	1		BRACKET RIGHT CONSOLE RECEPTACLE
10	84018939	1		BRACKET CAN PROGRAMMING
11	81040009	2		SCREW THUMB .6-32
12	7121060801	2		SLOT PMS 2 X 12 4.8
13	7661060003	2		NUT HEX M2-0.4 8 ISO 4032
14	7951060210	2		L WASHER 2
15	A124622	1		BRACKET CABLE STRAIN RELIEF
16	A126600	2		STANDOFF M/F .31 HEX 0.44LG
17	810230470	1		BATTERY 3.6V AA

ENU / 2016-01-25

3. CONTROLS, ELECTRICAL
3.4.1 ESI BOOM TOP (810259481) Rev D

SWITCH A2B DEVICE (810245702) Rev A				
Pos.	Part	BOM Qty.	Foot Note	Description
1	0012042	1		SPRING .75 X .105 WIRE 3.04
2	1622712	1		COVER 6 X 7
3	1770752	1		BRACKET
4	1770784 → page 3-47	1		LEVER
5	2528810	1		SHSS-L 3/4 X 1.50 A574
6	5460540	3		HEX NUT 3/8-16UNC GR 5
7	5467630	2		HEX JAM NUT 3/8-16UNC GR 5
8	6124560	3		HHCS 3/8-16UNC X 1.25 GR 5
9	6177800	4		SLOT RMS 10-24UNC X 1.75 GR 1
10	6246330	1		SHACKLE ANCHOR LOOSE PIN GALV
11	7091510	2		F WASHER SHIM 1.25 X 0.81 X .06 COPPER
12	7103010	4		L WASHER MEDIUM #10 ST B18.21.1
13	7103040	3		LOCK WASHER 3/8 ST B18.21.1
14	810152440	1		BOLT EYE 3/8-16 X 2.00 SS 0.25 EYE
15	810161360	1		SWITCH LIMIT ARM FIXED
16	810238652 → page 3-49	1		LIMIT SWITCH SUBASSY
17	810245710	1		BRACKET NAMEPLATE "81024570"

ENU / 2016-01-25

3. CONTROLS, ELECTRICAL
3.5 ACCESSORY CAMERA MONITORS CAB (810255011) Rev D

ACCESSORY CAMERA MONITORS CAB (810255011) Rev D				
Pos.	Part	BOM Qty.	Foot Note	Description
1	5460520	8		HEX NUT 1/4-20UNC SS
2	6670070	4		STRAP NYLON CABLE TIE 7.4
3	7103020	11		L WASHER MEDIUM 1/4 ST B18.21.1
4	810034210	4		PHIL TMS 10-32UNF X .75 GR 1
5	810064122	1		BRACKET MOUNTING MONITOR
6	810065650	2		MOUNT MONITOR CCTV 7 INCH
7	810137520	4		CABLE TIE TYPE HDM25
8	810244000 → page 3-57	1		DISPLAY MONITOR ASSY CCTV 7" LED
9	810261500	11		PHIL TMS 1/4-20UNC X 0.75 GR 1
10	810010960	2		RECEPTACLE WWEDGE LOCK 2 POLE
11	810251290	1		WIRING HARNESS WCR2
12	7689100044	4		TERMINAL
14	81041508	1		CABLE ELEC CCTV SPLITTER
15	84020654	1		DISPLAY LED 7 INCH

ENU / 2016-01-25

3. CONTROLS, ELECTRICAL
3.9 SWITCH ROCKER TIER 4 ENGINE CAB (810258131) Rev B

SWITCH ROCKER TIER 4 ENGINE CAB (810258131) Rev B				
Pos.	Part	BOM Qty.	Foot Note	Description
1	80017626	1		SWITCH DPF REGEN INITIATE/INHIBIT

ENU / 2016-01-25

3. CONTROLS, ELECTRICAL
3.12.1 BRACKET FUSE PANEL (81042368) Rev B

BRACKET FUSE PANEL (81042368) Rev B				
Pos.	Part	BOM Qty.	Foot Note	Description
1	81021895	1		RELAY CONTACTOR 24VDC 200A
2	81034523	3		FUSE HOLDER FMG-211
3	81034525	3		FUSE 150 AMP 32 V
4	84020536	1		COVER FUSE
5	81042592	1		BRACKET FUSE PANEL
6	81042624	1		DECAL FUSE PANEL
8	7126151253	6		HHCS M6X25 8.8 FLZN 4017
9	7126151153	6		HHCS M6X20 8.8 FLZN 4017
10	7661150003	6		HEX NUT M6 8FLZN ISO4032
11	7661150004	2		HEX NUT M6 10FLZN ISO4032
12	7951150014	12		F WASHER 6 ST ISO 7089
13	7951150220	12		L WASHER 6 ST DIN 127B

ENU / 2016-01-25

3. CONTROLS, ELECTRICAL
3.17 ESI CARBODY (810261193) Rev G

ESI CARBODY (810261193) Rev G				
Pos.	Part	BOM Qty.	Foot Note	Description
3	81036358	1		ELEC CONNECTOR DT06-3S-EP11
9	80069035	1		CONTROLLER CCM
10	80069036	1		CONTROLLER IOS
11	810223090	3		CLIP NUT M10-1.5
14	84023521	1		WIRING HARNESS WLC1
15	810259082	1		BRACKET CCM/IOS NODE
17	810260130	1		SLIP RING ASSY 5 CONDUCTOR
20	7126191253	5		HHCS M10X25 8.8 FLZN 4017
21	7364100128	1		PLUG ELEC WEDGE LOCK
23	7709100891	1		PLUG ELEC 2-POLE SOCKET
25	7951190220	2		L WASHER 10 ST DIN 127B
26	7364100011	1		WEDGE W3S-P012
31	810259560	1		COUPLING SLEEVE 0.875
32	810318482	1		BRACKET SLIP RING
33	7126152053	8		SCR CAP HEX HD M6-1 X 65 8.8 ZC
35	7661150003	8		HEX NUT M6 8FLZN ISO4032
37	7951150220	8		L WASHER 6 ST DIN 127B
38	810248390	7		PLUG SEALING CAP ASSY
39	84022975	1		HEAT SHRINK TUBING 24/6
40	810270350	2		CLAMP .75 DIA DIN3015
41	7128192554	4		SHCS 10 X 90 12.9

ENU / 2016-01-25

3. CONTROLS, ELECTRICAL
3.19.2 LIMIT SWITCH ASSY VPC (810293291) Rev H

LIMIT SWITCH ASSY VPC (810293291) Rev H				
Pos.	Part	BOM Qty.	Foot Note	Description
1	810161360	3		SWITCH LIMIT ARM FIXED
2	810238652 ▶ page 3-97	2		LIMIT SWITCH SUBASSY
3	810238652 ▶ page 3-97	1		LIMIT SWITCH SUBASSY
4	810284252	3		BRACKET VPC LIMIT SWITCH
5	810284782	3		PLATE 6.0 MM A-36
7	7110101805	12		SHCS 10-24UNC X 2.25 A574
9	7126191053	4		HHCS 10 X 16 8.8 FULL THREAD
10	7126191153	4		HHCS M10X20 8.8 FLZN 4017
13	7951190014	8		F WASHER 10 ST ISO 7089

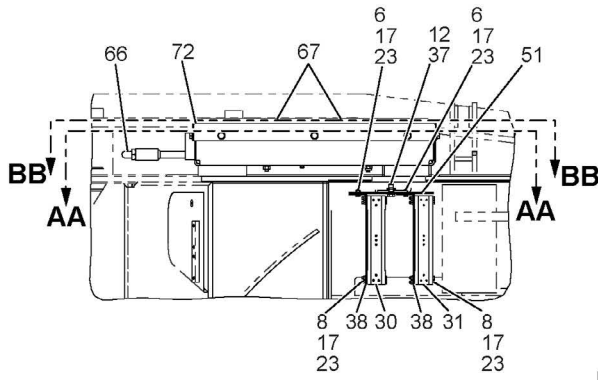
ENU / 2016-01-25

3. CONTROLS, ELECTRICAL
3.22 ESI 12M INSERT (810338541) Rev D

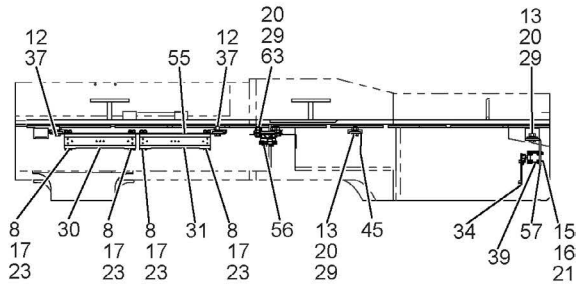
ESI 12M INSERT (810338541) Rev D				
Pos.	Part	BOM Qty.	Foot Note	Description
1	5460560	2		HEX NUT 1/2-13UNC GR 5
2	5911160	1		REEL CABLE FOR 350' OF 16/2 WIRE
3	7094600	1		F WASHER 1/2 ST USS
4	7103060	1		L WASHER MEDIUM 1/2 ST B18.21.1
5	84025425	1		CABLE REEL HAND CRANK
6	810256660	1		CABLE ELEC WN130,000
7	810329362	1		HOOK BOLT J 1/2 INCH
8	810329930	1		WIRING HARNESS WBR1
9	7126191253	8		HHCS M10X25 8.8 FLZN 4017
10	7661190003	8		HEX NUT M10 8FLZN ISO4032
11	7951190014	8		F WASHER 10 ST ISO 7089

ENU / 2016-01-25

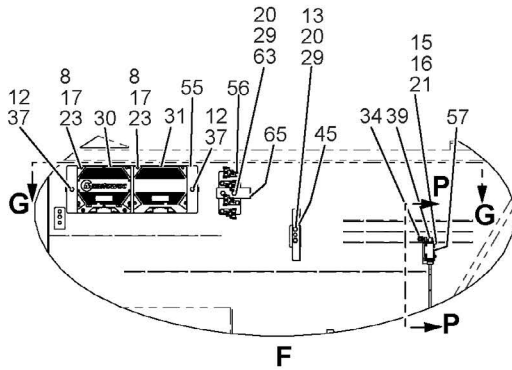
3. CONTROLS, ELECTRICAL
3.23.2 ESI MOUNTING ASSEMBLY (810328761) Rev F



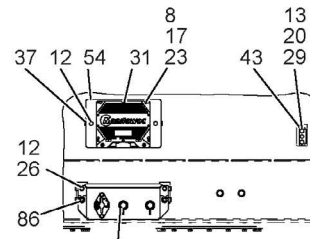
E - E



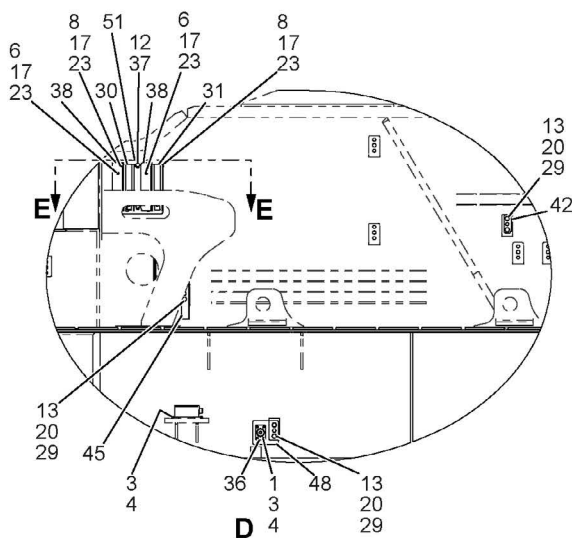
G - G



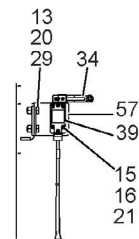
F



N - N



D



P - P

ENU / 2016-01-25

ENU / 2016-01-25

3. CONTROLS, ELECTRICAL
3.23.3 ESI SERVICE LIGHTS (81038809) Rev A

LIGHT SERVICE LIGHT ASSY (81038813) Rev B				
Pos.	Part	BOM Qty.	Foot Note	Description
1	81038554	1		LIGHT ASSY WORK LED 10-48V
2	81038671	1		MAGNET
3	84018797	1		ELECTRICAL CABLE SERVICE LIGHT
4	7126171053	1		HHCS M8X16 8.8 FLZN 4017
5	7661170003	1		HEX NUT M8 8FLZN ISO4032

ENU / 2016-01-25

3. CONTROLS, ELECTRICAL

3.26.2 LIMIT SWITCH SUBASSY W/90 DEG CORD GRIP (810245252) Rev A

LIMIT SWITCH SUBASSY W/90 DEG CORD GRIP (810245252) Rev A				
Pos.	Part	BOM Qty.	Foot Note	Description
1	3643870	1		ELEC CONNECTOR MALE 3 POLE 13 AMP SEALED
2	4717170	1		CORD GRIP .50 NPT .25 - .375 CORD
3	5726060	1		PLUG ELEC LOCK W3P
4	6806940	3		TERMINAL PIN CONTACT MALE
5	810161270	1		SWITCH LIMIT
20	2971820	1 FT		CABLE WIRE 16 AWG 3 CONDUCTOR TYPE SDN
21	2972110	1 FT		CABLE WIRE 18 AWG XLPE TYPE TXL BLUE

ENU / 2016-01-25

3. CONTROLS, ELECTRICAL
3.28.1 SWITCH A2B DEVICE (810245682) Rev A

LEVER ASSY (1770804) Rev B				
Pos.	Part	BOM Qty.	Foot Note	Description
1	177080001	1		LEVER CASTING
2	0700912	1		BUSHING .762IDX.942ODX1.25LG
3	4292590	1		FITTING 90 DEG 46756
4	5467630	1		HEX JAM NUT 3/8-16UNC GR 5
5	6124540	1		HHCS 3/8-16UNC X 1.00 GR5

ENU / 2016-01-25

4. POWER PLANT

POWER PLANT				
Pos.	Part	BOM Qty.	Foot Note	Description
	81026650 ➡ page 4-3	1		ENCLOSURE ASSEMBLY POWER PLANT
150	810239601 ➡ page 4-19	1		POWERTRAIN QSG12 TIER 4F
160	810239621 ➡ page 4-35	1		EXHAUST SYST QSG12 TIER 4 FINAL
170	810239681 ➡ page 4-37	1		AIR CLEANER INSTL 450 HP CUMMINS
180	810239701 ➡ page 4-41	1		COOLER ASSY 450 HP
190	810239721 ➡ page 4-53	1		FUEL CIRCUIT 450 HP CUMMINS
200	810239731 ➡ page 4-57	1		BATTERY CUMMINS QSG12 INSTL
210	810239741 ➡ page 4-59	1		HVAC 450 HP CUMMINS
720	810266481 ➡ page 4-65	1		EQUALIZER
800	810274191 ➡ page 4-67	1		EXHAUST SYST DEF SYSTEM INSTL
1220	810284101 ➡ page 4-71	1		CLUTCH RELEASE ASSY
1230	810284341 ➡ page 4-73	1		TANK FUEL INSTALLATION
1965	81037290 ➡ page 4-75	1		GENERATOR ASSY PREP
2220	A097353 ➡ page 4-89	1		CLUTCH ASSY W/HOUSING AND GREASE PIPING
2740	81041522 ➡ page 4-91	1		GENERATOR INSTL COMPONENTS

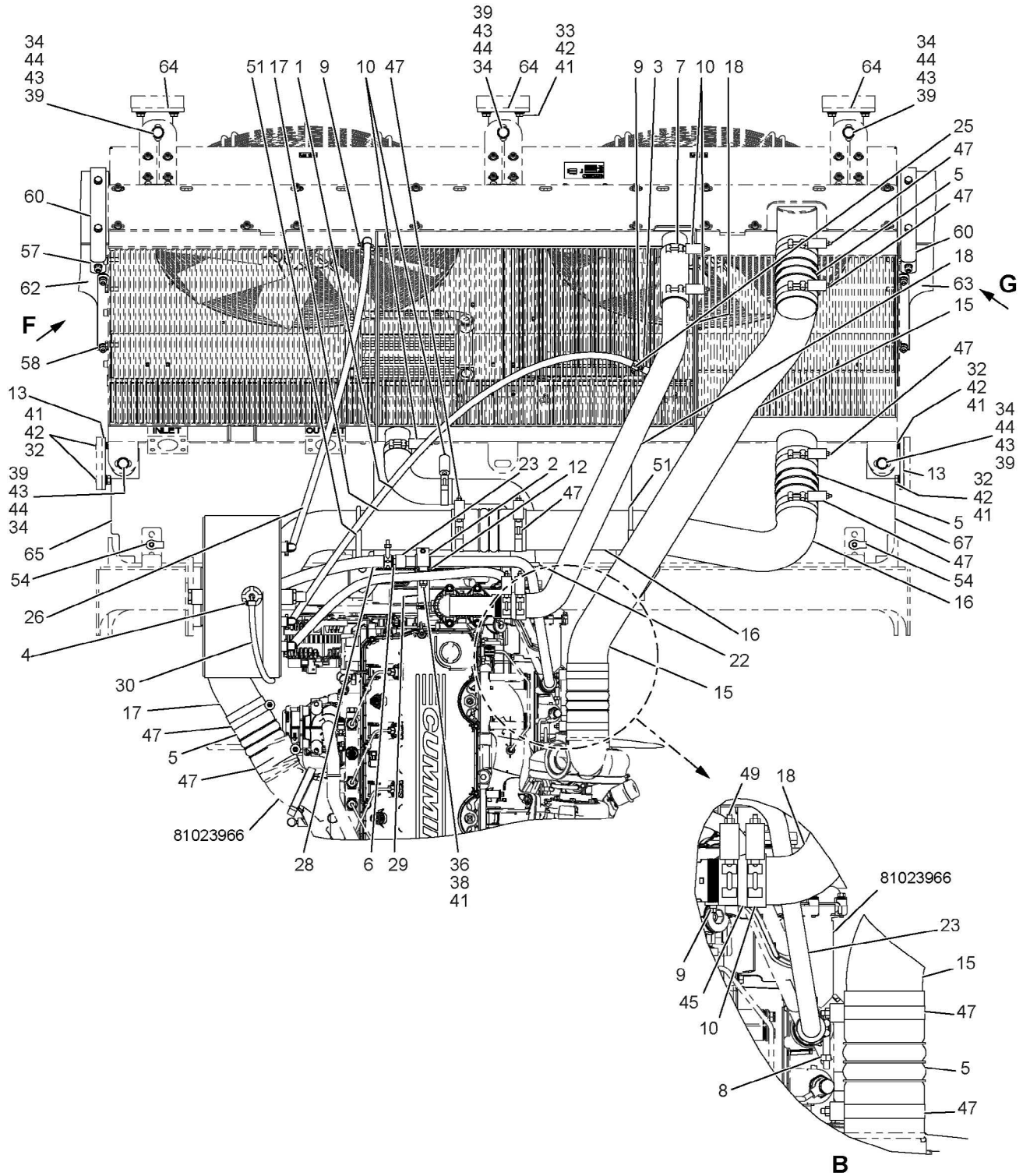
4.1.4 PANEL ENCL ASSY POWER PLANT (810318992) Rev D

PANEL ENCL ASSY POWER PLANT (810318992) Rev D				
Pos.	Part	BOM Qty.	Foot Note	Description
1	84027526	1		PANEL POWER PLANT ENCL
2	81031901	1		BRACKET COOLER
3	81031905	1		HINGE COOLER ENCLOSURE
4	7126151053	5		HHCS M6X16 8.8 FLZN 4017
5	7126151153	4		HHCS M6X20 8.8 FLZN 4017
6	7661150003	9		HEX NUT M6 8FLZN ISO4032
7	7951150014	18		F WASHER 6 ST ISO 7089

ENU / 2016-01-25

ENU / 2016-01-25

4. POWER PLANT
4.5 COOLER ASSY 450 HP (810239701) Rev E



ENU / 2016-01-25

4. POWER PLANT
4.5.3 PANEL ENCL ASSY COOLER BTM (810295592) Rev B

PANEL ENCL ASSY COOLER BTM (810295592) Rev B				
Pos.	Part	BOM Qty.	Foot Note	Description
1	81029473	1		PANEL ENCL COOLER
2	81029476	1		BRACKET COOLER
3	81029477	1		HINGE COOLER ENCLOSURE
4	7126151053	6		HHCS M6X16 8.8 FLZN 4017
5	7126151153	5		HHCS M6X20 8.8 FLZN 4017
6	7661150003	11		HEX NUT M6 8FLZN ISO4032
7	7951150014	22		F WASHER 6 ST ISO 7089

ENU / 2016-01-25

ENU / 2016-01-25

4. POWER PLANT
4.11 CLUTCH RELEASE ASSY (810284101) Rev C

CLUTCH RELEASE ASSY (810284101) Rev C				
Pos.	Part	BOM Qty.	Foot Note	Description
1	6127170	3		HHCS 3/4-10UNC X 1.75 GR
2	7103080	3		L WASHER MEDIUM 3/4 ST B18.21.1
3	810284112	1		LEVER CLUTCH RELEASE
4	7126191853	1		HHCS FULL THREAD 10 X 55 8.8
5	7126221753	2		SCR CAP HEX HD M14-1 X 50 8.8 ZC
6	7661190804	1		HEX LOCK NUT M10 10FLZN ISO7040
7	7661220004	3		HEX NUT 14 10 ISO 4032
8	A092112	1		BRACKET
9	A145760	1		SPRING 1.00 OD X 0.105 WIRE X 5.50 LG
10	5460560	1		HEX NUT 1/2-13UNC GR 5
11	6018270	1		ROD END SPHERICAL (W/GREASE FIT
12	6125590	1		HHCS 1/2-13UNC X 1.75 GR 5
13	7103060	1		L WASHER MEDIUM 1/2 ST B18.21.1
14	810332952	1		HANDLE CLUTCH RELEASE
17	A103770	1		SPACER PIPE 1.00 OD X 0.78 ID X 1.19 LG
18	5462710	1		HEX JAM NUT 1/2 -20UNF GR 5
19	7127222353	1		HHCS M14 X 80 -10.9 ISO 4017

ENU / 2016-01-25

4. POWER PLANT
4.13.3 FUEL CIRCUIT APU (81037293) Rev D

FUEL CIRCUIT APU (81037293) Rev D				
Pos.	Part	BOM Qty.	Foot Note	Description
3	6670060	4		STRAP NYLON CABLE TIE 4.0
6	81036803	1		Q DISCON FITTING HYD COUPLER 12 ORB-12
16	7567601078	1		HOSE ASSY CODED 0.75 ID X 078 LG
17	7567601078	1		HOSE ASSY CODED 0.75 ID X 078 LG
19	81039797	1		DUST PLUG QD 12
20	810186900	1		NAMEPLATE ID TAG ROUND #090
21	810186910	1		NAMEPLATE ID TAG ROUND #091
22	810293140	2		FITTING STRAIGHT -12 ORFS X -12 ORB
23	81036804	1		Q DISCON FITTING HYD NIPPLE 12 ORB -12
24	81041451	1		CAP DUST QD -12

ENU / 2016-01-25

ENU / 2016-01-25

ENU / 2016-01-25

5. LOWERWORKS
5.5 SHOE CRAWLER 48 INCH ASSY (810287679) Rev B

SHOE CRAWLER 48 INCH ASSY (810287679) Rev B				
Pos.	Part	BOM Qty.	Foot Note	Description
1	0119782	136		TREAD PIN 1 3/4 X 15.81 BLACK
2	0402468	68		TREAD USE PIN 011978 48" CAST (PINNED)
3	5483450	136		HEX LOCK NUT 5/8-11UNC GR 8
4	6126610	136		HHCS 5/8-11UNC X 1.50 GR 5
5	810276352	2		LEVER LIFTING
8	7127382650	3		HHCS M36 X 100-10.9
9	7661380004	3		HEX NUT M36 10FLZN ISO4032
12	81041216	1		LEVER LIFTING
13	81041218	1		PIN HITCH 15.9 X 114.3LG

ENU / 2016-01-25

5.7.2 ROLLER IDLER ASSY CRAWLER TOP (810328294) Rev A

ROLLER IDLER ASSY CRAWLER TOP (810328294) Rev A				
Pos.	Part	BOM Qty.	Foot Note	Description
1	810328302	1		BUSHING 80.83 OD X 65.28 ID X 40.0 LG
2	810328312	1		ROLLER IDLER 80.70 ID X 200.0 OD
3	A114560	1		DOWEL SCREW M8 X 25MM LG

5. LOWERWORKS
5.9.1 VALVE ASSY 12 BANK (A067180) Rev A

VALVE ASSY 12 BANK (A067180) Rev A				
Pos.	Part	BOM Qty.	Foot Note	Description
1	4285480	12		FITTING LUBE ADAPTER
2	4285540	1		FITTING LUBE ELBOW
3	4292250	1		FITTING SERVICE TEE
4	A070450	1		MANIFOLD AUTOLUBE 12 PORTS W/ CIP
5	A070460	2		FITTING LUBE -2 NPTF
6	A070470	2		CAP LUBE FITTING

ENU / 2016-01-25

5.10 CARBODY ASSY LOWERWORKS JACKING (810279721) Rev A

CARBODY ASSY LOWERWORKS JACKING (810279721) Rev A				
Pos.	Part	BOM Qty.	Foot Note	Description
1	4290100	8		FITTING LUBRICATION .25NPT
2	5638710	4		PIN SAFETY .375 DIA X 2.25 LG
3	81040882 → page 5-47	4		OUTRIGGER PAD ASSY
4	7126271453	8		HHCS FULL THREAD 20 X 35 8.8
5	7951270210	8		L WASHER 20 ST DIN 7980
6	A057860	4		PIN COTTER HAIR .24 DIA X 5.00 LG
7	A113730	4		CYLINDER HYD 7.5 BORE X 42 STROKE
8	A113752	4		PIN JACKING CYL 76.2 DIA X 940.0 MM
9	A113862	4		PIN 1 HOLE W/HD 44.45 DIA X 102.0 MM LG
10	A151872	4		PLATE KEEPER 12.0 THK

6.2 DECAL DANGER BOOM SECTIONS (1759161) Rev FA

DECAL DANGER BOOM SECTIONS (1759161) Rev FA				
Pos.	Part	BOM Qty.	Foot Note	Description
1	1478529	2		DECAL DANGER BOOM HAZARD

ENU / 2016-01-25

6. ATTACHMENTS
6.5 MAST ASSY LIVE MAST (810239871) Rev J

MAST ASSY LIVE MAST (810239871) Rev J				
Pos.	Part	BOM Qty.	Foot Note	Description
52	81037562	1		ROLLER 58.0 101.6 25.0 NYL
53	810284132	1		RETAINER EQUALIZER SHAFT
54	7128241954	18		SHCS 16 X 60 12.9

ENU / 2016-01-25

6. ATTACHMENTS
6.8 POINT #500, LOWER ASSY (810277361) Rev D

POINT #500, LOWER ASSY (810277361) Rev D				
Pos.	Part	BOM Qty.	Foot Note	Description
9	5621710	4		PIN COTTER 1/2 DIA X 3.50 LG
13	810296592	2		PIN 2 HOLE 70.0 X 158.5
14	810297662	1		SHAFT M30 X 3.5 X 1206 LG
16	810297802	2		GUARD ROPE 50.8 X 1127 LG
17	7661340803	1		HEX LOCK NUT M30 8FLZN ISO7040
18	7951340015	1		F WASHER 30 ST ISO 7089
19	5638710	4		PIN SAFETY .375 DIA X 2.25 LG
20	81041894	2		BLOCK NYLON
21	7126211453	4		HHCS M12X35 8.8 FLZN 4017
22	7951210014	4		F WASHER 12 ST ISO 7089

ENU / 2016-01-25

6. ATTACHMENTS

6.10 INSERT ASSY 12M H #500 (810278031) Rev F

INSERT ASSY 12M H #500 (810278031) Rev F				
Pos.	Part	BOM Qty.	Foot Note	Description
1	5620640	4		PIN COTTER 5/32 DIA X 1.25 LG
2	5620850	12		PIN COTTER 3/16 DIA X 1.50 LG
3	5621720	2		PIN COTTER 1/2 DIA X 4.00 LG
4	5636400	4		PIN SAFETY .243 OD X 5.00
5	84024200	8		SAFETY PIN 3.2 DIA X 50.8 LG
6	810249512	6		PIN 1 HOLE W/HD 65.0 DIA X 94.3 LG
7	810249552	4		LINK #500 BOOM
8	810253062	4		PIN 2 HOLE 19.1 MM DIA X 81.2 MM LG
9	810254722	4		CLAMP CABLE SPRING CLIP
10	810274012	2		STRAP 11.78M #500
11	810277822	2		PIN 2 HOLE 19.1 DIA X 287.0 LG
12	810277952	3		TIMBER 38.1X88.9X1325.0
14	810294422	2		BRACKET STRAP
15	810294472	4		BRACKET STRAP
18	810303640	2		BRACKET STRAP
19	810315992	4		BRACKET STRAP
20	7126151150	8		HHCS 6 X 20 8.8
21	7126191850	16		HHCS M10X55 8.8 FLZN 4014
22	7126191750	12		HHCS M10X50 8.8 FLZN 4014
23	7661150803	8		HEX LOCK NUT M6 8FLZN ISO7040
24	7661190803	28		HEX LOCK NUT M10 8FLZN ISO7040
25	7951150014	16		F WASHER 6 ST ISO 7089
26	7951190014	56		F WASHER 10 ST ISO 7089
27	7951270014	8		F WASHER 20 ST ISO 7089
28	A117992	6		PIN 2 HOLES 12.7 DIA X 93.0 LG
29	A118002	6		COLLAR 66 MM ID
30	84026091	2		PIN 2 HOLE 75.80 X 171.9 LG
31	A165342	2		PIN 1 HOLE W/HD 63.50 DIA X 172.4 LO

ENU / 2016-01-25

6.15 CATWALK #500 12M M INSERT (810279001) Rev B

CATWALK #500 12M M INSERT (810279001) Rev B				
Pos.	Part	BOM Qty.	Foot Note	Description
1	5460590	8		HEX NUT 3/4-10UNC GR 5
2	6124050	38		HHCS 5/16-18UNC X 1.00 GR 5
3	81016691	19		F WASHER GRIP STRUT DIAMOND PATTERN
4	810169952	4		BRACKET 4 HOLE 1.50X0.13X6.50
5	810266232	3		CATWALK 724 MM X 3667 MM
6	810279012	1		CATWALK 724 MM X 1524 MM
7	810279022	1		CATWALK 495 MM X 683 MM
8	810281050	2		CABLE .75-10X456.52 (IN)
9	810301722	1		LADDER 371 MM X 2064 MM
10	7114153664	19		C BOLT SQ GR 4 5/16-18UNC X 4.50
11	7126191450	4		HHCS 10 X 35 8.8
12	7660152500	57		HEX LOCK NUT PA 5/16-18UNC SS
13	7661190803	4		HEX LOCK NUT M10 8FLZN ISO7040
14	7950150141	95		F WASHER 5/16 ST B18.21.1 NARROW
15	7950220141	8		F WASHER 3/4" DIA
16	7951190014	8		F WASHER 10 ST ISO 7089

BUTT ASSY #500 8.00 M (810280361) Rev D				
Pos.	Part	BOM Qty.	Foot Note	Description
2	1766909	2		PIN 2 HOLE 1.50 DIA X 3.72 LG
3	5621290	4		PIN COTTER 5/16 DIA X 2.50 LG
10	810298582	2		PENDANT 1.12 DIA X 70.0 INCH
11	A135180	2		PIN HITCH .50 DIA X 5.00 LG

6. ATTACHMENTS
6.21 MAST EQ & DRUM ASSY (810283151) Rev D

MAST EQ & DRUM ASSY (810283151) Rev D				
Pos.	Part	BOM Qty.	Foot Note	Description
1	6462460 → page 6-69	1		SOCKET/WEDGE ASSY 1.00"

ENU / 2016-01-25

6.24 INSERT LUFF JIB PREP-12M (810295371) Rev B

INSERT LUFF JIB PREP-12M (810295371) Rev B				
Pos.	Part	BOM Qty.	Foot Note	Description
1	810208520	8		PIN COTTER HAIR 0.14 DIA X 3.38 LG
2	810253062	4		PIN 2 HOLE 19.1 MM DIA X 81.2 MM LG
4	810277822	2		PIN 2 HOLE 19.1 DIA X 287.0 LG
5	810294422	2		BRACKET STRAP
6	810294472	4		BRACKET STRAP
7	810294520	2		BRACKET STRAP
8	7126191850	16		HHCS M10X55 8.8 FLZN 4014
9	7661190803	16		HEX LOCK NUT M10 8FLZN ISO7040
10	7951190014	32		F WASHER 10 ST ISO 7089
11	5620640	4		PIN COTTER 5/32 DIA X 1.25 LG
12	810315992	4		BRACKET STRAP
13	7951270014	8		F WASHER 20 ST ISO 7089

6.28 CATWALK ASSY #500 12M HEAVY (810300071) Rev A

CATWALK ASSY #500 12M HEAVY (810300071) Rev A				
Pos.	Part	BOM Qty.	Foot Note	Description
1	5460590	8		HEX NUT 3/4-10UNC GR 5
2	6124050	42		HHCS 5/16-18UNC X 1.00 GR 5
3	81016691	24		F WASHER GRIP STRUT DIAMOND PATTERN
4	810169952	4		BRACKET 4 HOLE 1.50X0.13X6.50
5	810266232	2		CATWALK 724 MM X 3667 MM
6	810278542	1		CATWALK 724 MM X 2495 MM
7	810290160	2		CABLE SEE DRW 81003372
8	810300912	2		CATWALK 965 MM X 1295 MM
9	810300922	2		CATWALK 736 MM X 683 MM
10	810301722	1		LADDER 371 MM X 2064 MM
11	7114153664	24		C BOLT SQ GR 4 5/16-18UNC X 4.50
12	7126191450	4		HHCS 10 X 35 8.8
13	7660152500	66		HEX LOCK NUT PA 5/16-18UNC SS
14	7661190803	4		HEX LOCK NUT M10 8FLZN ISO7040
15	7950150141	108		F WASHER 5/16 ST B18.21.1 NARROW
16	7950220141	8		F WASHER 3/4" DIA
17	7951190014	8		F WASHER 10 ST ISO 7089

6.32 CATWALK ASSY #500 12M W/SUSP (810319501) Rev A

CATWALK ASSY #500 12M W/SUSP (810319501) Rev A				
Pos.	Part	BOM Qty.	Foot Note	Description
1	5460590	16		HEX NUT 3/4-10UNC GR 5
2	6124050	38		HHCS 5/16-18UNC X 1.00 GR 5
3	81016691	19		F WASHER GRIP STRUT DIAMOND PATTERN
4	810169952	4		BRACKET 4 HOLE 1.50X0.13X6.50
5	810266232	3		CATWALK 724 MM X 3667 MM
6	810279012	1		CATWALK 724 MM X 1524 MM
7	810279022	1		CATWALK 495 MM X 683 MM
8	810301722	1		LADDER 371 MM X 2064 MM
9	810320270	2		CABLE SEE DRW 81003372
10	810320280	2		TIE WIRE .75-10 X 407.00 LG
11	7114153664	19		C BOLT SQ GR 4 5/16-18UNC X 4.50
12	7126191450	4		HHCS 10 X 35 8.8
13	7660152500	57		HEX LOCK NUT PA 5/16-18UNC SS
14	7661190803	4		HEX LOCK NUT M10 8FLZN ISO7040
15	7950150141	95		F WASHER 5/16 ST B18.21.1 NARROW
16	7950220141	16		F WASHER 3/4" DIA
17	7951190014	8		F WASHER 10 ST ISO 7089

6.34.1 SHEAVE BANK ASSY #500 LOWER POINT (810277662) Rev A

SHEAVE BANK ASSY #500 LOWER POINT (810277662) Rev A				
Pos.	Part	BOM Qty.	Foot Note	Description
1	1706622	1		SHAFT 5.000 OD X 1.370 ID X 10.94 LG
2	1715872	1		NUT
3	81026861X	3		SHEAVE WIRE ROPE ASSY 1.125

6.39 BOOM POINT UPPER FRAME ASSY 32MM SHEAVE (810297696) Rev C

BOOM POINT UPPER FRAME ASSY 32MM SHEAVE (810297696) Rev C				
Pos.	Part	BOM Qty.	Foot Note	Description
300	810338461 → page 6-119	1		SHEAVE ASSY 30"FOR 1.25"WR FORGD OPTION1

ENU / 2016-01-25

6.43 DECAL ASSY INSERT SHIPMENT (81042560A) Rev A

DECAL ASSY INSERT SHIPMENT (81042560A) Rev A				
Pos.	Part	BOM Qty.	Foot Note	Description
1	81041859	4		DECAL INSERT LIFTING
5	810073430	2		DECAL CENTER OF BALANCE
10	810073070	2		DECAL CAUTION BM SECTION SHIPMENT
20	81007342	4		DECAL TIE DOWN POINT
30	81007342	4		DECAL TIE DOWN POINT
40	84021695	4		DECAL #681 3M INSERT LIFT
50	84024195	4		DECAL SHIPPING INSERT 12M H #500

4844130 (HOOK COAT SINGLE) 1-50
 4858450 (TUBING PLASTIC .50 ID 18.00 LG) . . . 1-55
 4894000 (FLANGE REMOTE MOUNT AIR
 CLEANER) 4-38
 4930550 (INSULATOR PAD THERMAL 8"X16" X
 .060 THK) 3-32
 4989340 (KEY ST STR 1/2X1/2X5) 1-109

5

5058030 (LEVEL CROSS TEST) 1-15, 5-5
 5080240 (LIGHT ASSY STROBE RED WARNING
 12-48V) 3-54
 5101750 (LOCK PAD #1 W/KEY #2843) 1-117
 5364675 (SEAL KIT OVERHAUL) 1-75, 1-81
 5366480 (CABLE TIE ADHESIVE BACK) 1-37
 5367750 (MOUNT VIBRATION ISOLATOR 1.06"
 BORE) 4-21
 5390529 (IDENTIFICATION PLATE) 1-19
 5421430 (PIPE NIPPLE .25 DIA X 2.00 LG SCH
 40 SST) 5-33
 5438050 (PIPE NIPPLE 1.00 DIA X 3.0 LG SCH
 40 SST) 2-75
 5460500 (HEX NUT 8-32UNC
 STEEL) 1-5, 1-26, 3-13,
 3-22, 3-36
 5460520 (HEX NUT 1/4-20UNC SS) 3-22, 3-56
 5460530 (HEX NUT 5/16-18UNC GR
 5) 1-5, 1-26, 2-21,
 2-196, 3-22, 3-52
 5460540 (HEX NUT 3/8-16UNC GR 5) 3-46, 4-58
 5460550 (HEX NUT 10-24UNC STEEL) 1-41
 5460560 (HEX NUT 1/2-13UNC GR 5) 3-106, 4-72
 5460590 (HEX NUT 3/4-10UNC GR
 5) 6-17, 6-48, 6-76,
 6-88, 6-94, 6-98, 6-112
 5460750 (HEX NUT 6-32UNC
 STEEL) 1-50, 1-55, 3-22,
 3-36, 3-124
 5462710 (HEX JAM NUT 1/2 -20UNF GR 5) 4-72
 5462730 (HEX JAM NUT 3/4-16UNF GR5) 1-103
 5462740 (HEX JAM NUT 7/16-20UNF GR
 5) 1-39, 1-43
 5467620 (HEX JAM NUT 5/16-18UNC GR 5) 1-41

5467630 (HEX JAM NUT 3/8-16UNC
 GR 5) 3-44, 3-46, 3-48,
 3-154, 3-156
 5468370 (HEX NUT 10 -32UNF
 STEEL) 1-46, 3-13, 3-22,
 3-119, 3-124
 5469560 (NUT PANEL 1.69-18 UNEF-
 2B) 3-40, 3-74, 3-91,
 3-112, 3-124, 3-152
 5469670 (NUT PANEL 1.50" -18) 2-23, 3-80, 3-91,
 3-112, 3-119, 3-124
 5471130 (HEX NUT 2-4.5UNC GR 8) 5-21
 5483390 (HEX LOCK NUT PA 10-32UNF GR
 5) 1-19
 5483400 (HEX LOCK NUT PA 10 -24UNC
 GR C) 3-120, 4-40
 5483410 (HEX LOCK NUT 1/4 -20UNC GR C) 5-5
 5483420 (HEX LOCK NUT PA 3/8-16UNC
 GR C) 2-83, 2-229
 5483450 (HEX LOCK NUT 5/8-11UNC
 GR 8) 1-19, 5-16, 5-48
 5483460 (HEX LOCK NUT PA 3/4-10UNC GR
 C) 5-8
 5483480 (HEX LOCK NUT PA 1-8UNC GR 8) 4-21
 5483550 (HEX LOCK NUT PA 1 1/4-7UNC GR
 5) 6-22
 5485550 (NUT LOCK CONDUIT HEAVY GALV
 1/2") 3-38
 562022 (PIN COTTER 3/32 DIA X 0.75 LG) 1-26
 5620430 (PIN COTTER 1/8 DIA X 1.00
 LG) 1-87, 1-139
 5620440 (PIN COTTER 1/8 DIA X
 1.25 LG) 1-121, 2-21, 2-71,
 2-196, 2-239
 5620450 (PIN COTTER 1/8 DIA X 1.50 LG) 1-117
 5620460 (PIN COTTER 1/8 DIA X 1.75
 LG) 1-117, 1-163,
 1-165
 5620640 (PIN COTTER 5/32 DIA X 1.25
 LG) 1-131, 1-139,
 1-169, 6-38, 6-40, 6-42, 6-44, 6-46, 6-78, 6-90, 6-96,
 6-110
 5620850 (PIN COTTER 3/16 DIA X
 1.50 LG) 2-19, 2-21, 5-14,
 6-25, 6-38, 6-40, 6-42, 6-44, 6-46
 5620870 (PIN COTTER 3/16 DIA X 2.00
 LG) 1-14, 1-95

ENU / 2016-01-25

7447080810 (FITTING ADAPTER 90° -8ORFS-MALE X-8ORFS M)	2-247	7447121001 (FITTING ADAPTER STRAIGHT -12ORFS X-10ORB)	2-157, 2-210
7447080811 (FITTING ADAPTER TEE 80 X 80 X 80)	2-58	7447121003 (FITTING ADAPTER 90 DEG -12ORFS X -100RB)	2-30, 2-209, 2-291
7447080816 (FITTING CAP -8ORFS)	2-137	7447121051 (FITTING)	2-48
7447080833 (FITTING ADAPTER 90 DEG -8ORFS X -8ORFS)	2-30, 2-48, 2-113, 2-191, 2-229	7447121201 (FITTING ADPTR STRAIGHT -12ORFS X -12ORB)	2-30, 2-49, 2-82, 2-122, 2-151, 2-156, 2-187, 2-189, 2-210, 2-258, 4-54
7447080834 (FITTING ADAPTER TEE -8ORFS X -8ORFS)	2-31, 2-59, 2-83, 2-113, 2-137, 2-209, 2-229	7447121202 (FITTING ADPTR STRT 12 ORFS X 12 ORB)	2-15
7447080835 (FITTING ADAPTER TEE -8ORFS X -8ORFS)	2-58, 2-137, 2-229	7447121203 (FITTING ADAPTER 90 DEG -12ORFS X -12ORB)	2-15, 2-83, 2-187, 2-221, 2-229, 2-290, 2-299
7447080838 (FITTING ADAPTER 90 DEG -8ORFS X-8ORB)	2-31, 2-113, 2-210	7447121208 (FITTING ADAPTER 45 DEG -12ORFS X -12ORB)	2-258, 2-290
7447080846 (FITTING ADAPTER 45 DEG)	2-113	7447121209 (FITTING ADPTR STRT 12ORFS X 12ORFS)	2-151, 2-210, 2-269, 2-299
7447081001 (FITTING ADAPTER STRAIGHT -8ORFS X -10ORB)	2-30, 2-58, 2-113	7447121210 (90 DEG UNION ELBOW - MALE ORS)	4-56
7447081003 (FITTING ADAPTER 90 DEG -8ORFS X -100)	2-113, 2-229	7447121211 (UNION TEE 3 MALE ORS THD)	2-58
7447081060 (FITTING ADPTR 8 ORFS X 22M UNION)	2-142	7447121228 (FITTING ADAPTER STRAIGHT -12ORFS X 0.75)	4-54, 4-56
7447081201 (FITTING ADAPTER STRAIGHT -8ORFS X -12ORB)	2-30, 2-48, 2-142, 2-156, 2-209, 2-242, 2-245	7447121233 (FITTING ADAPTER 90 DEG -120 RFS X -12ORF)	2-15, 2-30, 2-113, 2-157, 2-210, 2-221, 2-269
7447081203 (FITTING ADAPTER 90 DEG -8ORFS X -12ORB)	2-247	7447121234 (FITTING ADAPTER TEE -12ORFS X -12ORFS)	2-31, 2-48 to 49, 2-83, 2-210
7447081601 (STR THD ADAPTER)	2-151	7447121235 (FITTING ADAPTER TEE -12ORFS X -12ORFS)	2-83
7447100613 (FITTING ADPTR STRT 10ORFS X 6ORFS)	2-30	7447121238 (90 DEG LONG ELBOW - MALE ORS T)	2-15
7447100851 (FITTING ADAPTER STRAIGHT -10M ORFS X -08)	2-49, 2-278	7447121240 (FITTING ADAPTER STRAIGHT -12ORFS X -12OR)	2-187, 2-209, 2-290
7447101038 (FITTING ADAPTER 90 DEG -100 RFS X -100RB)	2-30	7447121246 (FITTING ADAPTER 45 DEG -12ORFS X -12ORFS)	2-83, 2-210, 2-229, 2-290
7447120613 (FITTING ADAPTER STRAIGHT -12ORFS X -6ORF)	2-156	7447121601 (FITTING ADAPTER STRAIGHT -12ORFS X -16OR)	2-48, 2-79, 2-82, 2-122, 2-151, 2-229, 2-290
7447120801 (FITTING ADAPTER STRAIGHT -12ORFS X -8ORB)	2-31, 2-189, 2-290	7447121603 (ELBOW 90 DEGREE MALE ORS THD TO)	2-151, 2-187
7447120803 (ELBOW 90° CODED 447)	2-189, 2-290	7447121604 (FITTING ADAPTER TEE -12ORFS X -12ORFS)	2-156
7447120809 (FITTING ADPTR UNION 12ORFS X 08ORFS)	2-58, 2-269, 4-54		
7447120813 (FITTING ADAPTER STRAIGHT -12ORFS X -8ORF)	2-31, 2-49, 2-82, 2-156, 2-210		

ENU / 2016-01-25

810114700 (Q DISC FITTING HYD CPLR-20 CODE 62X-24)	2-143, 2-155, 2-174, 2-258	810122900 (FITTING PLUG 4 ORB SAE INTER- NAL HEX)	2-83
81011470 (Q DISCON FITTING HYD COUPLER 20 #62 X 24)	2-122	810122910 (FITTING, PLUG)	2-82, 2-143, 2-209, 2-229
810114710 (Q DISCON FITTING NIPPLE- 20CODE62 X-24)	2-48	810122920 (FITTING PLUG 8 ORB, SAE INTERNAL HEX)	2-82, 2-189, 2-209, 2-289
81011471 (Q DISCON FITTING 24 CODE 62 X -20)	2-139, 2-299	810122940 (FITTING PLUG 12 ORB, SAE INTERNAL HEX)	2-189
810114770 (SPLIT FLANGE ASSY -20 12X45 414BAR)	2-48, 2-122, 2-139, 2-142, 2-155, 2-174, 2-227, 2-258, 2-269	810122950 (FITTING PLUG -16 ORB, SAE INTERNAL HEX)	2-185
810115390 (WIRE RING COTTER 1.00 OD)	2-125, 2-143, 2-157, 2-175, 2-191, 2-251, 2-258, 2-271, 2-291	810125342 (LATCH ASSY LIFT & TURN COMPRESS)	4-6, 4-16, 4-18, 4-40
810116140 (SEAT OPERATOR)	1-5	810132150 (CLAMP U BOLT 5.00")	4-36
810118440 (DECAL MANITOWOC LOGO 30" WHITE)	1-197	810133370 (FITTING ADPTR STRT .75 NPT X .75 BARB)	4-45
810118450 (DECAL MANITOWOC LOGO 30" BLACK)	1-197	810134310 (STRAP STAINLESS STEE 10.2 CABLE TIE)	3-54, 3-102
810118460 (DECAL MANITOWOC LOGO 40" WHITE)	1-196	810136150 (LATCH SLAM ACTION PADDLE LOCKING SS)	1-26
810118470 (DECAL MANITOWOC LOGO 40" BLACK)	1-196	810136292 (PLATE VALVE SUPPORT)	2-83
810118730 (INDICATOR SERVICE AIR CLEANER T4)	4-38	810136400 (VALVE BANK 2 BK D03 2P4W 3P4W)	2-29, 2-82, 2-209
810119902 (PIN 1 HOLE W/HD 15.77 DIA X 38.50 LG)	6-126	810136420 (CYL HYD BORE 76MM STRK 318MM)	1-14
810120120 (FITTING QUICK DISC NIPPLE)	2-33, 2-55, 2-161, 2-179, 2-213, 2-281	810136490 (VALVE MANIFOLD ASSY 2 BK D03 2-3P4W AL)	2-113, 2-229
810120130 (FITTING QUICK DISC COUPLER)	1-185, 2-17, 2-145, 2-159, 2-177, 2-253, 2-261, 2-273	810136500 (VALVE BANK 2BK ASY D032- 2P4W AL)	2-82, 2-229
810120180 (FITTING QUICK DISC NIPPLE)	2-35, 2-51, 2-163, 2-215	810136510 (TUBE PREFORMED 1.50 OD X .095 WALL)	2-285
810120190 (FITTING QUICK DISC COUPLER)	2-147, 2-165, 2-181, 2-263	810137070 (HOSE ASSY .38 ID X 5592 X 54.00 LG)	4-45
810121640 (Q DISCON FITTING HYDR COUPLER -8ORBX-6)	2-155, 2-258	810137520 (CABLE TIE TYPE HDM25)	3-56, 3-120
810121650 (Q DISCON FITTING HYDR NIPPLE -8ORBX-6)	2-29, 2-131	810138560 (PIN WIRE LOCK .250 DIA X 2.50 LG (INCH))	6-124
810121670 (CAP DUST 6)	2-30, 2-131	810139250 (HOSE 0.75ID X 5598 X 64)	4-61, 4-78
810121832 (DECAL WARNING FALL PROTECTION EQUIPMENT)	1-197, 6-127	810140210 (PIPE NIPPLE .75 X 1.37LG SCH 40 BRASS)	4-61
		810140450 (PIPE NIPPLE .75 X 4.00 LG X SCH 40)	4-61
		810141040 (PIN COTTER HAIR .080 DIA X 1.19 LG)	5-14
		810142960 (CLAMP U BOLT GUILLOTINE 6" SS)	4-36

810272080 (CLAMP 19MM-19MM DIA GRP3 DIN3015)	2-278	81027451A (HYD PIPING ASSY)	2-2
810272110 (CLAMP 22MM-22MM DIA GRP3 DIN3015)	2-191	810274531 (HYD LINE INSTL DRUM 0)	2-2
810272140 (CLAMP 28 MM-28MM DIA GRP4 DIN3015)	4-61	810274541 (HYD LINES INSTL DRUM 1 PREP)	2-2
810272150 (CLAMP 30 MM-30MM DIA GRP4 DIN3015)	2-191, 2-271	810274551 (HYD LINES INSTL DRUM 6 PREP)	2-2
810272810 (FITTING ADPTR TEE 6ORB X 6ORB FEM X 6ORB)	2-119, 2-189, 2-229	810274591 (HYD EQUIP HYD SYS FILTERS) . . .	2-2
810273130 (BRACKET HANDRAIL SUPPORT)	1-59, 1-125, 1-131	810274601 (HYD LINES INSTL ACCESS LOW PRESS)	2-2
810273132 (BRACKET HANDRAIL SUPPORT)	1-117, 1-121, 1-127	810274611 (HYD LINES INSTL ACC HIGH PRESS)	2-2
810273780 (WIRING HARNESS WCE3)	3-112	810274630 (TUBE PREFORMED 4.00 OD X .065 W AL STL)	4-45
810273870 (FITTING ADAPTER STR .125 BSPP X .125 NPT)	5-42	810275800 (TUBE PREFORMED 4.00 OD X .065 W AL STL)	4-45
810273912 (BRACKET ENGINE MOUNT REAR)	4-21	810275810 (TUBE PREFORMED 4.00 OD X .065 W AL STL)	4-45
810273982 (BRACKET ENGINE MOUNT REAR)	4-21	810275920 (PLATE SEE DRW 81027589)	2-191
810273992 (STRAP 7.69M #500)	6-25	810275930 (PLATE WELD GP 4 DIN3015)	2-191, 2-271
810274012 (STRAP 11.78M #500)	6-38, 6-40	810276020 (COVER PLATE DIN3015 GROUP 1)	2-131
810274122 (BRACKET CP CCS CONTROLLER)	3-120	810276030 (COVER PLATE DIN3015 GROUP 2)	2-131, 2-245
810274142 (BRACKET WEAR PLATE WIPER)	1-159	810276040 (COVER PLATE DIN3015 GROUP 3)	2-278
810274150 (GUARD WEAR PLATE SCRAPER)	1-159	810276050 (COVER PLATE DIN3015 GROUP 4)	2-117, 2-247, 4-61
810274162 (PLATE 10 GA)	1-159	810276152 (PIN KEEPER 69.85 DIA 360.00 LG)	1-14
810274191 (EXHAUST SYST DEF SYSTEM INSTL)	4-2	810276162 (TURNBUCKLE JAW AND JAW) . . .	1-14
810274280 (CABLE ELEC WN7000)	3-74	810276182 (BRACKET DPF BOTTOM)	4-36
810274342 (BRACKET STRAP)	6-17	810276192 (BRACKET DPF TOP)	4-36
810274381 (HYD EQUIP LIVE MAST RAISE CYL)	2-2	810276202 (BRACKET SCR BOTTOM)	4-36
810274411 (HYD EQUIP TRANSDUCER IN- STL)	2-2	810276212 (BRACKET LOWER EXHAUST MOUNT)	4-36
81027445 (HYD LINES INSTL DRUM 2)	2-2	810276222 (BRACKET VERTICAL EXHAUST MOUNT)	4-36
810274471 (HYD LINES INSTL ROT BED ACCES- SORIES)	2-2	810276232 (BRACKET HORIZONTAL EXHAUST MOUNT)	4-36
810274481 (HYD LINES INSTL CARBODY JACK CYL)	2-2	810276260 (TUBE PREFORMED 2.50 OD X .065 W AL STL)	4-45
810274491 (HYD LINES INSTL CARBODY)	2-2	810276352 (LEVER LIFTING)	5-16
		810276370 (PIN QUICK RELEASE SAFETY .31 DIA X 1.25LG)	1-167, 5-21, 5-30

ENU / 2016-01-25

CLICK HERE TO **DOWNLOAD** THE COMPLETE MANUAL

- Thank you very much for reading the preview of the manual.
- You can download the complete manual from: www.heydownloads.com by clicking the link below



- Please note: If there is no response to CLICKING the link, please download this PDF first and then click on it.

CLICK HERE TO **DOWNLOAD** THE COMPLETE MANUAL