

Manitowoc MLC300

605559
Parts Manual



ENU
2022-08-25

CLICK HERE TO **DOWNLOAD** THE COMPLETE MANUAL

- Thank you very much for reading the preview of the manual.
- You can download the complete manual from: www.heydownloads.com by clicking the link below



- Please note: If there is no response to CLICKING the link, please download this PDF first and then click on it.

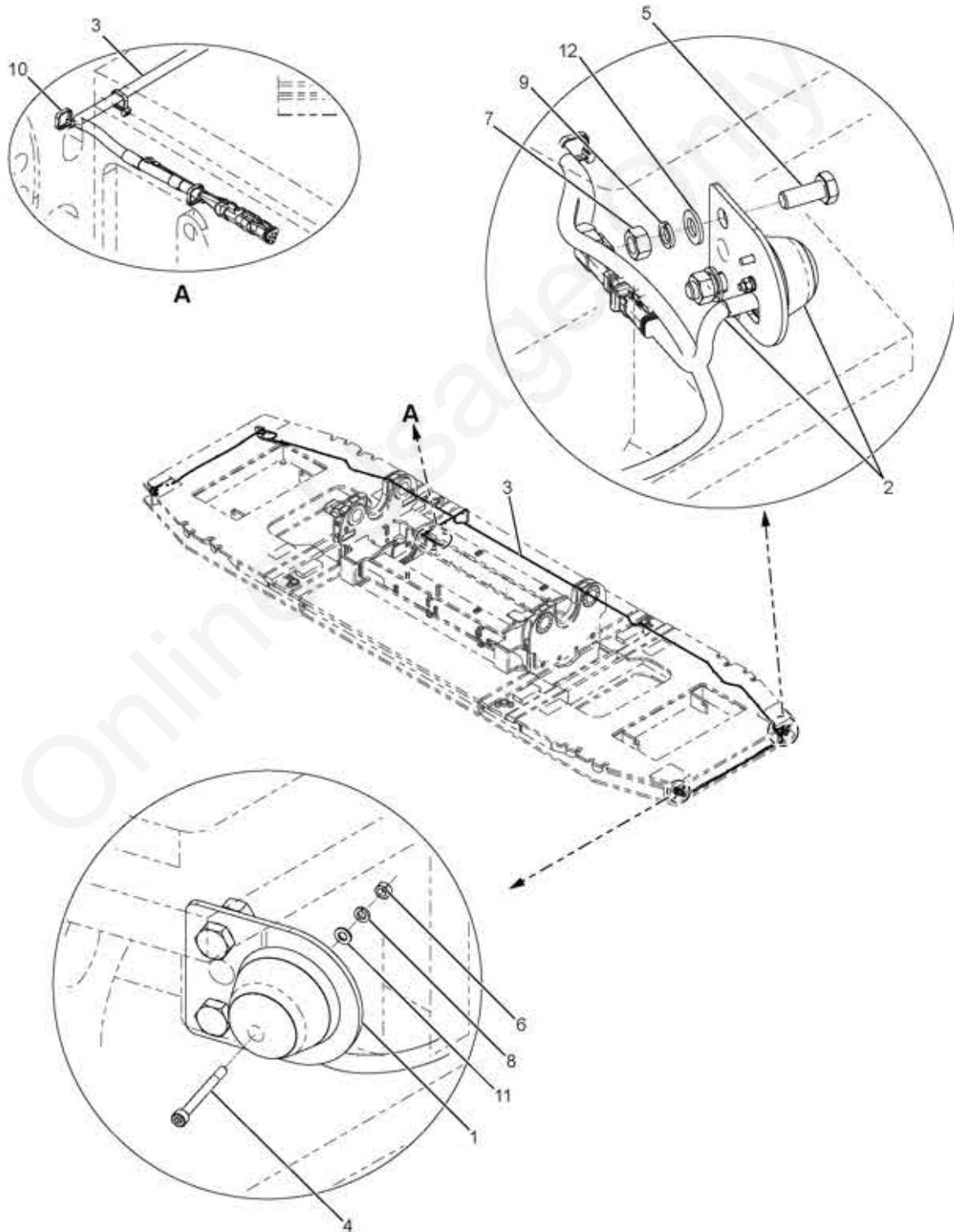
CLICK HERE TO **DOWNLOAD** THE COMPLETE MANUAL

2.33	HYD LINES INSTL LIVE MAST CYLINDER (810296331) Rev F	2-267
2.33.1	Q DISCON FITTING HYDR NIPPLE -12ORBX-8 (810210270) Rev B	2-269
2.34	HYD LINES INSTL DRUM 6 (810340161) Rev G	2-271
2.34.1	Q DISC FITTING HYDR COUPLER -12ORBX (810039130) Rev B	2-273
2.34.2	PIN HOSE STOWAGE (81042207) Rev B	2-275
2.35	HYD LINES INSTL DRUM 4 (810426841) Rev C	2-277
2.35.1	Q DISC FITTING HYDR COUPLER -12ORBX (810039130) Rev B	2-281
2.35.2	Q DISCON FITTING -20CD62 X -24 (810114700) Rev C	2-283
2.35.3	Q DISCON FITTING HYDR COUPLER -8ORBX- (810121640) Rev B	2-285
2.35.4	PIN HOSE STOWAGE (81042207) Rev B	2-287
2.36	HYDL LINES INSTL PUMP DISCH (81035571) Rev H	2-289
2.37	HYD LINES INSTL DRUM 1 (81035766) Rev C	2-291
2.37.1	Q DISC FITTING HYDR COUPLER -12ORBX (810039130) Rev B	2-293
2.37.2	PIN HOSE STOWAGE (81042207) Rev B	2-295
2.38	HYD LINES INSTL VPC-MAX PREP (81037248) Rev G	2-297
2.38.1	Q DISCON FITTING HYD NIPPLE -12ORBX-12 (810039140) Rev B	2-299
2.39	HYD LINES INSTL POWER PLANT SUCTION (81037691) Rev H	2-301
2.40	HYD LINES INSTL CIRC COOLER FILTER (81038067) Rev E	2-303
2.41	HYD LINES INSTL TANK RETURN (810382669) Rev T	2-305
2.41.1	MANIFOLD BLOCK 2 BAR CHECK 12 PORT (81039171) Rev A	2-311
2.41.2	PIN HOSE STOWAGE (81042207) Rev B	2-313
2.42	HYD LINES INSTAL W/O DRUM 3 (81040255) Rev A	2-315
2.43	HYD LINES INSTL ROTATING BED DRUM 5 (81033602) Rev F	2-317
2.43.1	Q DISCON FITTING HYD NIPPLE -12ORBX-12 (810039140) Rev B	2-321
2.43.2	Q DISCON FITTING NIPPLE-20CODE62 X-24 (810114710) Rev G	2-323
2.43.3	Q DISCON FITTING HYD NIPPLE -8 ORBX - (810121650) Rev B	2-325
3	CONTROLS, ELECTRICAL	
3.1	CAMERA ASSY CCTV W/BRACKET (81041871) Rev A	3-5
3.2	FLOOR PLATE ASSY CAB (810230382) Rev B	3-7

1. ROTATING STRUCTURE

ROTATING STRUCTURE				
Pos.	Part	BOM Qty.	Foot Note	Description
2500	810287691 ➡ page 1-194	1		PARTS BOX ASSY
2540	81042177 ➡ page 1-202	1		GUARD ASSY VPC ROLLERS
2550	81042362 ➡ page 1-206	1		ENERGY CHAIN ASSY SHIPPING
2580	81042358 ➡ page 1-208	1		GUARD CYL AND HOSE STOW
2610	81034048 ➡ page 1-210	1		DECAL ASSY
2650	810340485 ➡ page 1-213	1		DECAL ASSY FOR CRANESTAR (EN)

ESI COUNTERWEIGHT TRAY (810289431) Rev C



ENU / 2022-08-25

1. ROTATING STRUCTURE
1.4 CAB MOUNTING ASSY (810239782) Rev H

CAB MOUNTING ASSY (810239782) Rev H				
Pos.	Part	BOM Qty.	Foot Note	Description
50	7951210014	9		F WASHER 12 200HV FLZN 7089
51	810286332	1		PLATFORM CAB REAR
52	5636370	2		PIN QUICK RELEASE .50 DIA X 3.00 LG
53	81039111	1		HANDRAIL CAB SIDE
54	810293342	1		HANDRAIL CAB REAR
55	810302782	1		HANDRAIL CAB
56	7126171153	8		HEXAGON BOLT
57	81038511	1		PLATFORM CAB RIGHT SIDE
58	7126171250	4		HHCS 8 X 25 8.8
59	7661170803	4		HEXAGON LOCK NUT
60	4720140	3		GROMMET RUBBER 9/32 BORE
61	5058030	1		LEVEL CROSS TEST
62	6672100	2		STRAP CABLE .677-1 HOLE BULKHEAD
63	810285642	1		BRACKET LEVEL CROSS TEST
64	7126150753	2		HHCS 6 X 10 8.8 FULL THREAD
65	7126151353	3		HHCS M6X30 8.8 FLZN 4017
66	7661150003	3		HEX NUT M6 8FLZN ISO4032

ENU / 2022-08-25

1. ROTATING STRUCTURE

1.4.1 CAB ASSY 24V CANBUS (810219121) Rev G

EXTERIOR EQUIP CAB ASSY (810218742) Rev D				
Pos.	Part	BOM Qty.	Foot Note	Description
1	0003789	1		PIN YOKE .375 DIA
2	4114090	1		BUMPER RUBBER 1" OD W/.312-18 X.63
3	5460500	2		HEX NUT 8-32UNC STEEL
4	5460530	1		HEX NUT 5/16-18UNC GR 5
5	562022	1		PIN COTTER 3/32 DIA X 0.75 LG
6	6123510	3		HHCS 1/4-20UNC X 0.50 GR5
7	6146010	2		HHCS 10 X 40 8.8
8	7114080311	2		SLOT PMS 8-32 X .38
9	709402	4		ASSY- REP KI
10	7097030	3		F WASHER SHIM 3/8 ST SAE
11	7097440	2		F WASHER SHIM 5/16 ST F436
12	7103010	4		L WASHER MEDIUM #10 ST B18.21.1
13	7103020	3		L WASHER MEDIUM 1/4 ST B18.21.1
14	7103190	2		L WASHER MEDIUM #8 ST B18.21.1
15	7107080	2		L WASHER I-T 1/4 ST B18.21.1
16	810034210	4		PHIL TMS 10-32UNF X .75 GR 1
17	810136150	1		LATCH SLAM ACTION PADDLE LOCKING SS
18	81021878 ➡ page 1-38	1		DOOR ASSY CAB
19	81021879 ➡ page 1-40	1		WINDOW ASSY CAB
20	810219011 ➡ page 1-42	1		WINDSHIELD WIPER ASSY CAB
22	A016580	3		F WASHER 10 ST ISO
23	A016600	5		L WASHER 10 ST DIN 127B
24	A02147	1		MOUNT TRACK DOOR FRONT
25	A026210	1		PLATE MOUNTING STRIKE
26	A026940	4		HEX LOCK NUT PA 6 10 ISO 7040
27	A027140 ➡ page 1-44	1		ROLLER ASSY CAB DOOR FRONT TROLLEY
28	7127151154	10		SHCS 6 X 20
29	A027690	1		BRACKET MIRROR
30	A029690	1		MOUNT TRACK DOOR REAR
31	A029710	1		BRACKET DOOR BOTTOM INNER
32	A030010	1		BAR RD DOOR LATCH STRIKER
33	A030020	2		BUSHING LOWER DOOR TROLLEY
34	A030040	2		BEARING SPH ROLLER
35	A030250	3		HFLGS 10 X 30 10.9
36	A030280	2		SBCS 6 X 10 10.9
37	A030640	1		BRACKET DOOR LATCH STRIKER M
38	A030740	1 FT		STRIP RUBBER SEAL
39	A030740	1 FT		STRIP RUBBER SEAL
40	A030750	6		PHIL PMS 6 X 16 A2
41	A032220	2		HEX LOCK NUT PA 5/8-11 UNC GR C

ENU / 2022-08-25

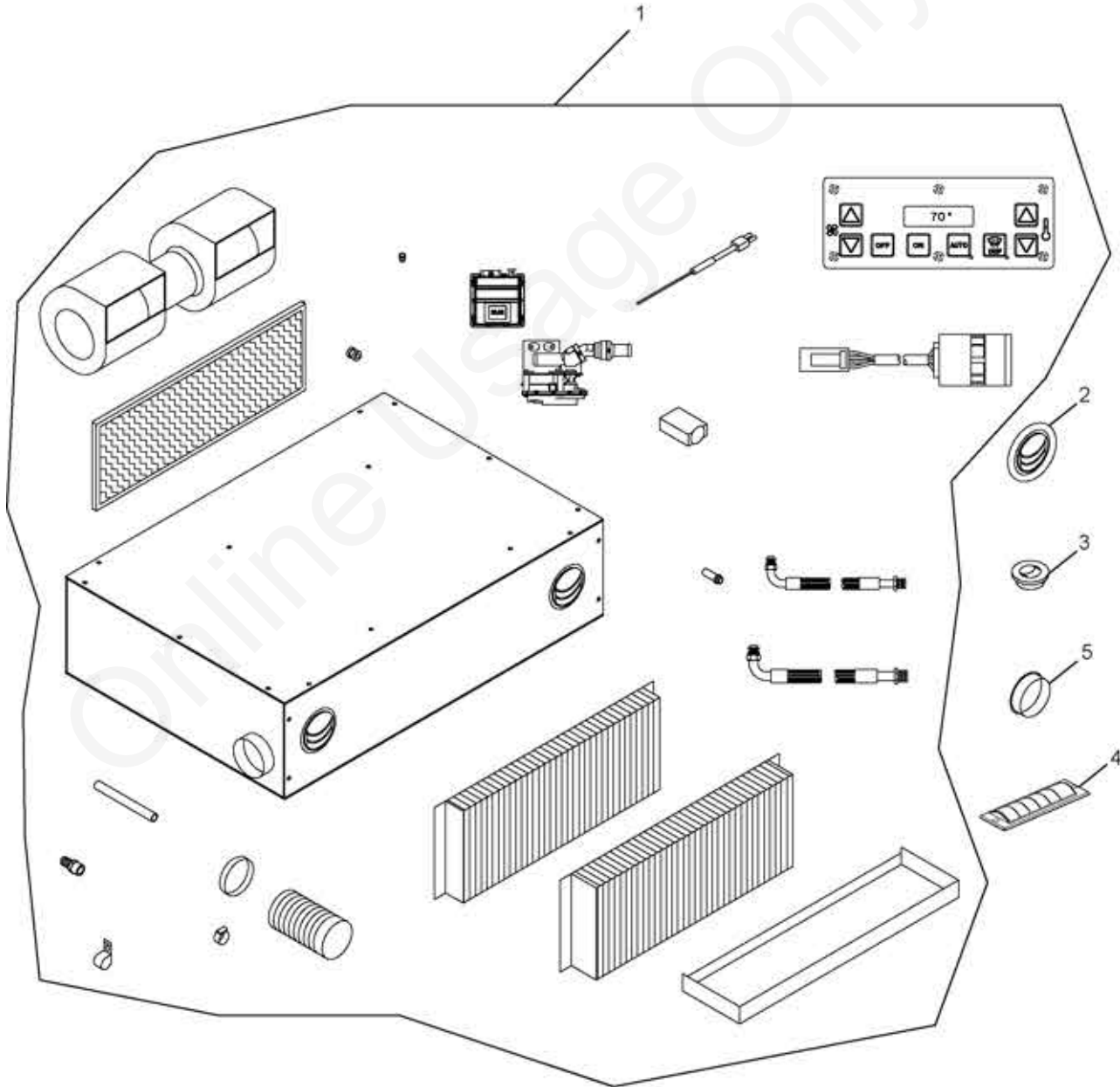
1. ROTATING STRUCTURE
1.4.1 CAB ASSY 24V CANBUS (810219121) Rev G

BRAKE ASSY CAB DOOR BRAKE (810302802) Rev C				
Pos.	Part	BOM Qty.	Foot Note	Description
1	5467620	2		HEX JAM NUT /16-18UNC GR5
2	6175860	3		SLOT FMS 10-24UNC X 0.50 GR 1
3	810064870	1		KNOB HANDLE CUSHION-GRIP PLASTIC
4	81030281	1		BRACKET WELDMENT DOOR BRAKE
5	84030667	1		BRACKET DOOR BRAKE MOUNTING
6	A030950	1		BRACKET DOOR BRAKE
7	A030960	1		STRIP RUBBER DOOR BRAKE
8	A030970	1		SHCS LOW HD5/16-18UNCX1.25 F835
9	5460550	1		HEX NUT 10-24UNC STEEL
10	84030733	1		SPRING 0.38 OD X 2.88LG EXT
11	84030841	1		EYE BOLT #10-24 X 1.00 IN SS

Online Usage

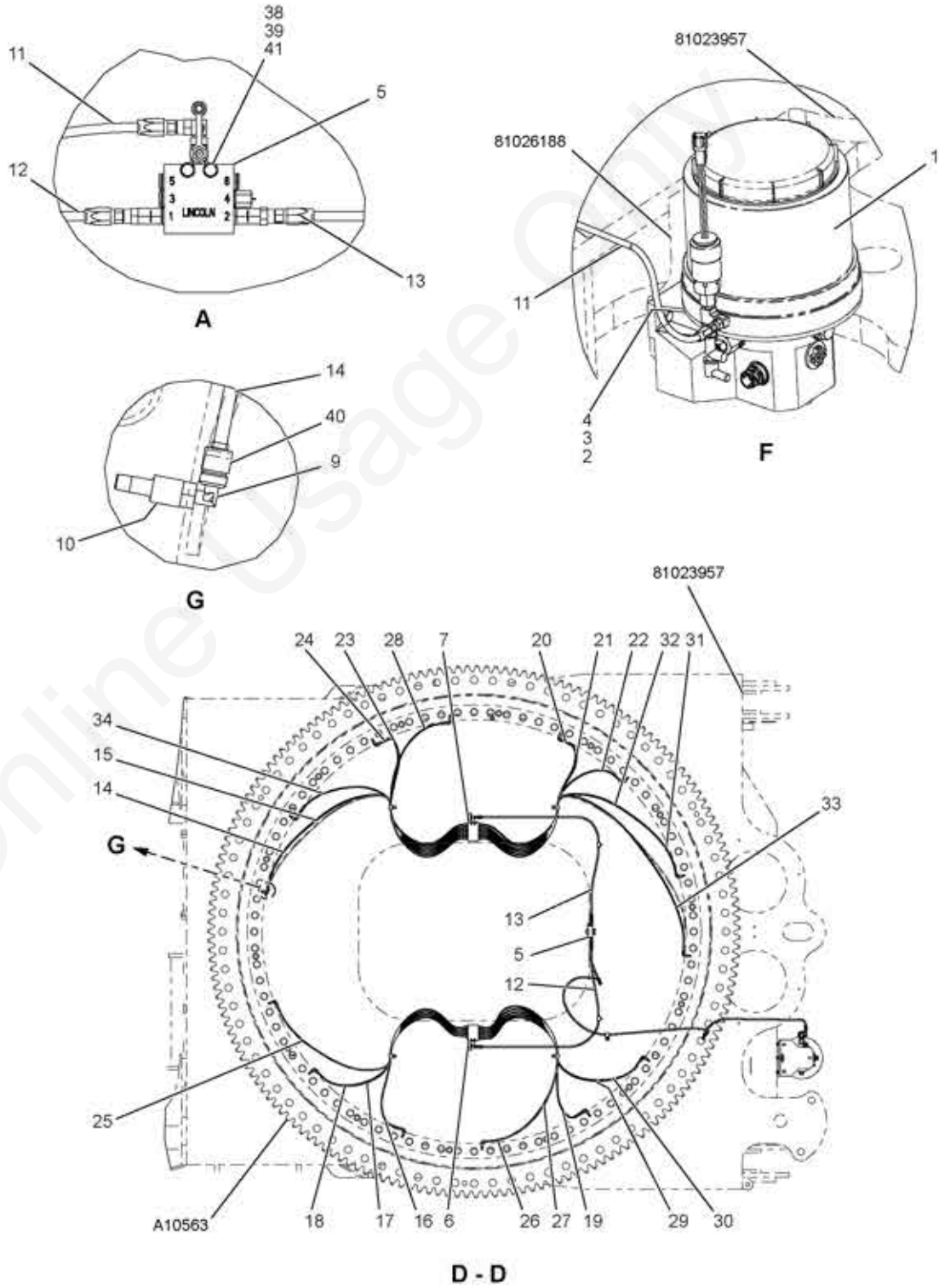
1. ROTATING STRUCTURE
1.4.1 CAB ASSY 24V CANBUS (810219121) Rev G

HVAC KIT CAB INSIDE PARTS (81040835) Rev A



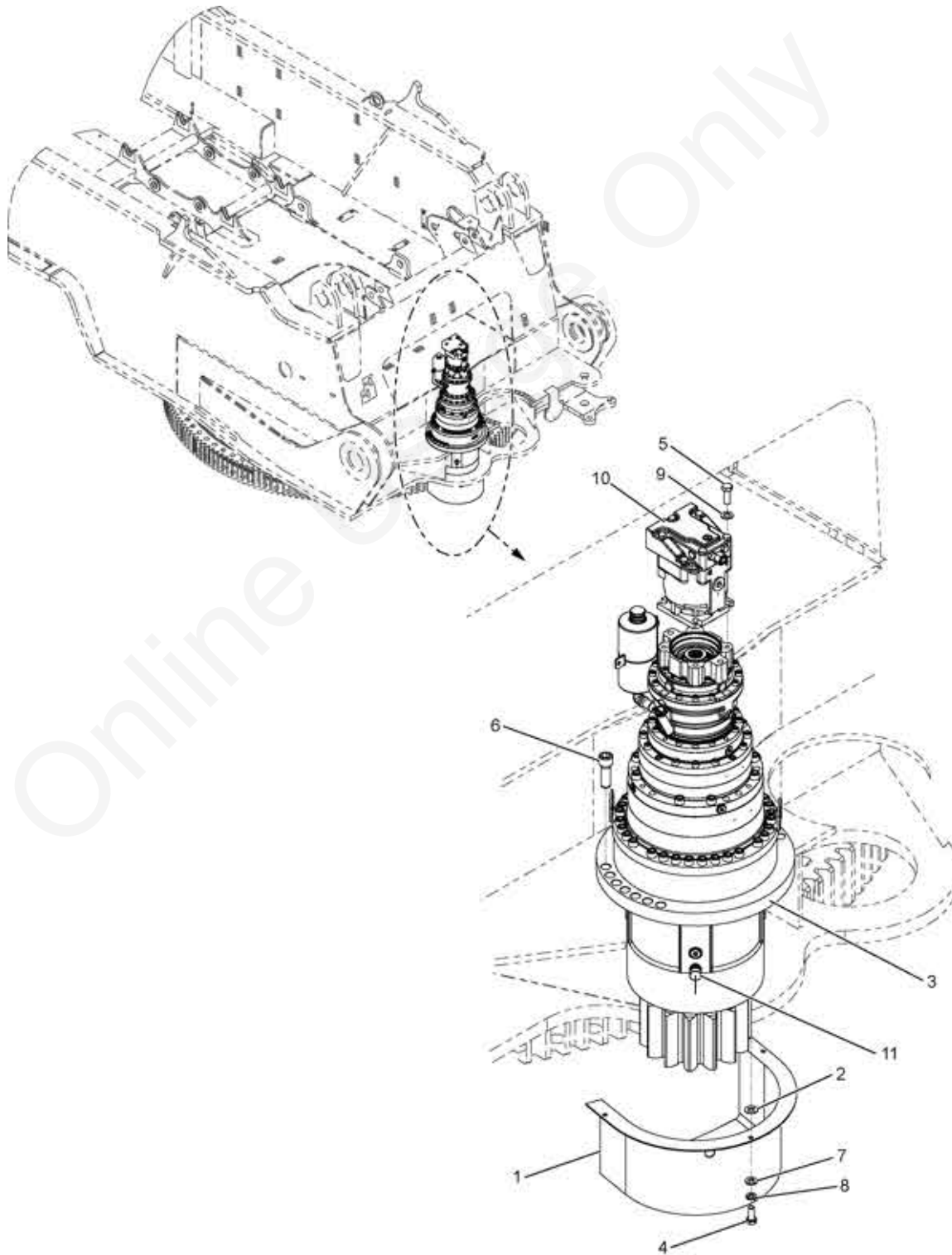
ENU / 2022-08-25

1. ROTATING STRUCTURE
1.5 LUBE SYST TURNTABLE BEARING (810239853) Rev D



ENU / 2022-08-25

1.6 SLEWING DRIVE ASSY (810240151) Rev E



ENU / 2022-08-25

1. ROTATING STRUCTURE
1.7.1 MOTOR HYD PISTON FIXED 75 CC/REV (A056890) Rev E

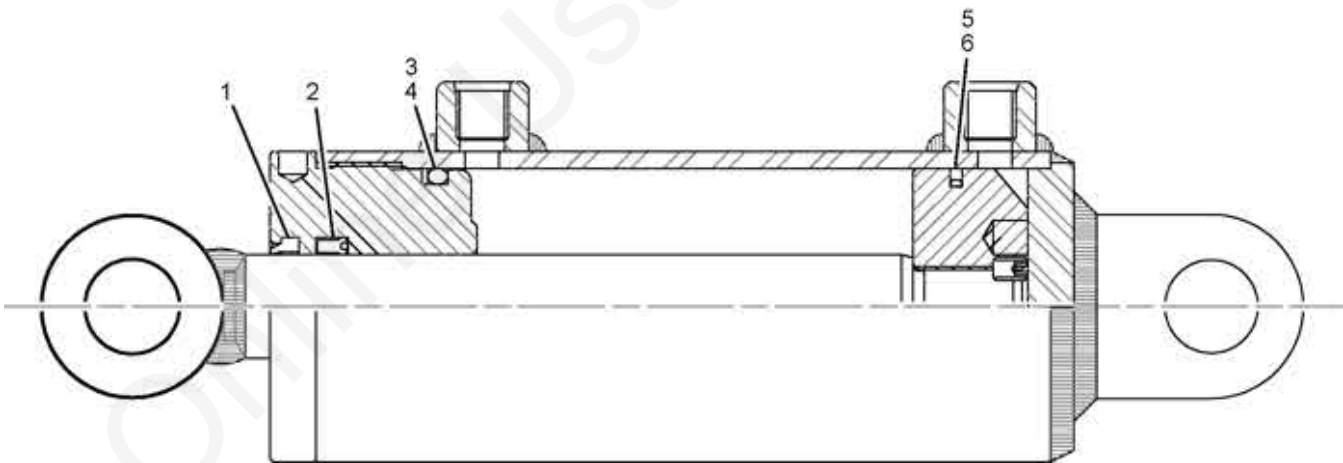
SEAL KIT OVERHAUL (5364675)				
Pos.	Part	BOM Qty.	Foot Note	Description
1	9632220246	1		GASKET, END CAP
2	9632220035	2		O-RING
3	7031235	1		O-RING
4	9722221350	1		SEAL, LIP
5	9754220027	1		O RING

Online Usage Only

1. ROTATING STRUCTURE

1.10.1 CYL HYD 3.0" BORE X4.75" STROKE DBL ACT (3856240) Rev FA

SEAL KIT, CYLINDER (3856245)



ENU / 2022-08-25

1. ROTATING STRUCTURE
1.12.1 BRACKET ASSY VPC-MAX WEAR PAD (81034766) Rev C

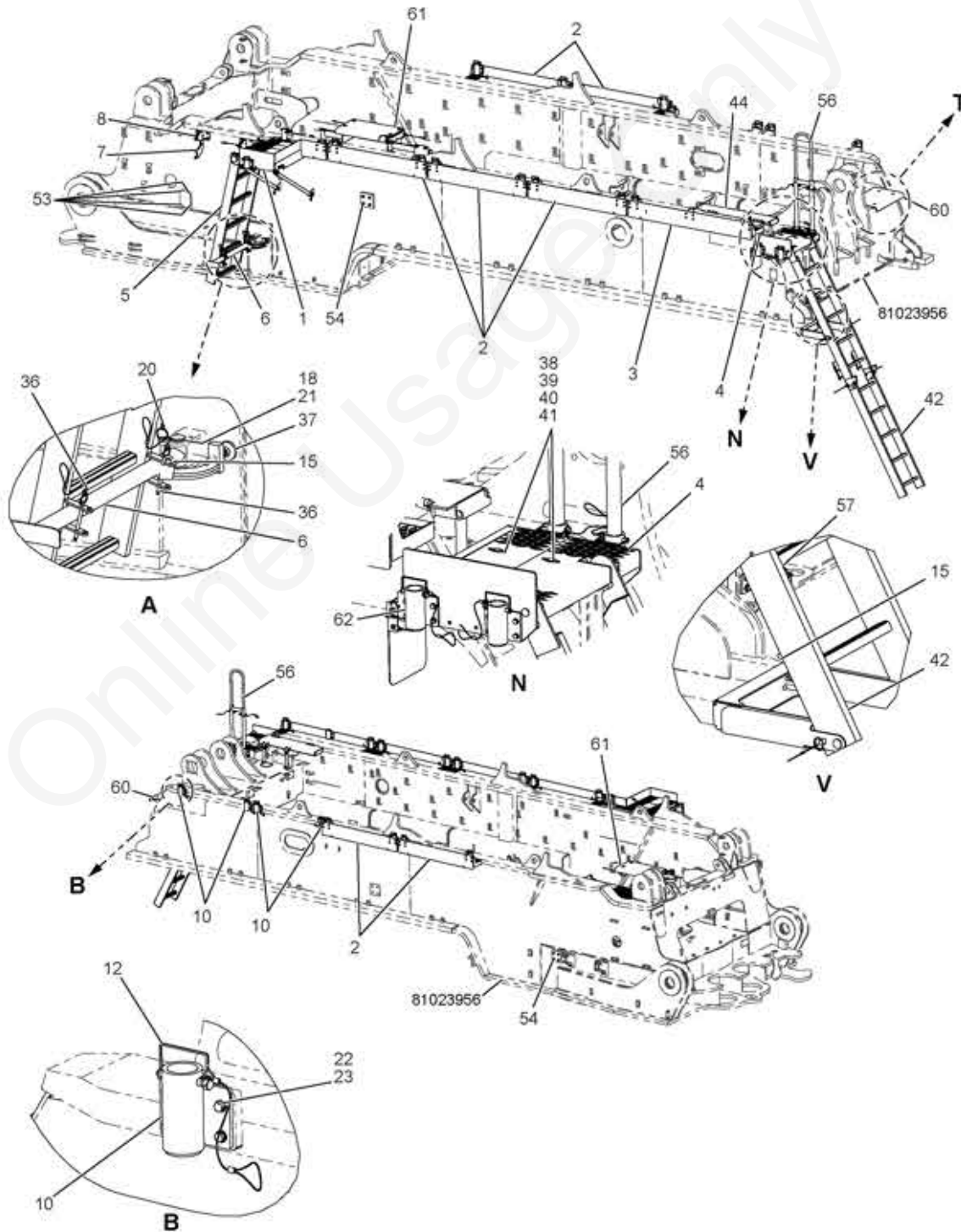
BRACKET ASSY VPC-MAX WEAR PAD (81034766) Rev C				
Pos.	Part	BOM Qty.	Foot Note	Description
1	810347682	1		BRACKET WELDMENT VPC-MAX WEAR PAD
2	81034790	1		WEAR PAD VPC-MAX
3	810347912	1		PLATE KEEPER 10MM
4	7127211153	2		SCR CAP HEX HD M12-1.75 X 20 10.9 PLN

Online Usage Only

1. ROTATING STRUCTURE

1.17 PLATFORM ASSY ROTATING BED (810291791) Rev M

1.17 PLATFORM ASSY ROTATING BED (810291791) Rev M



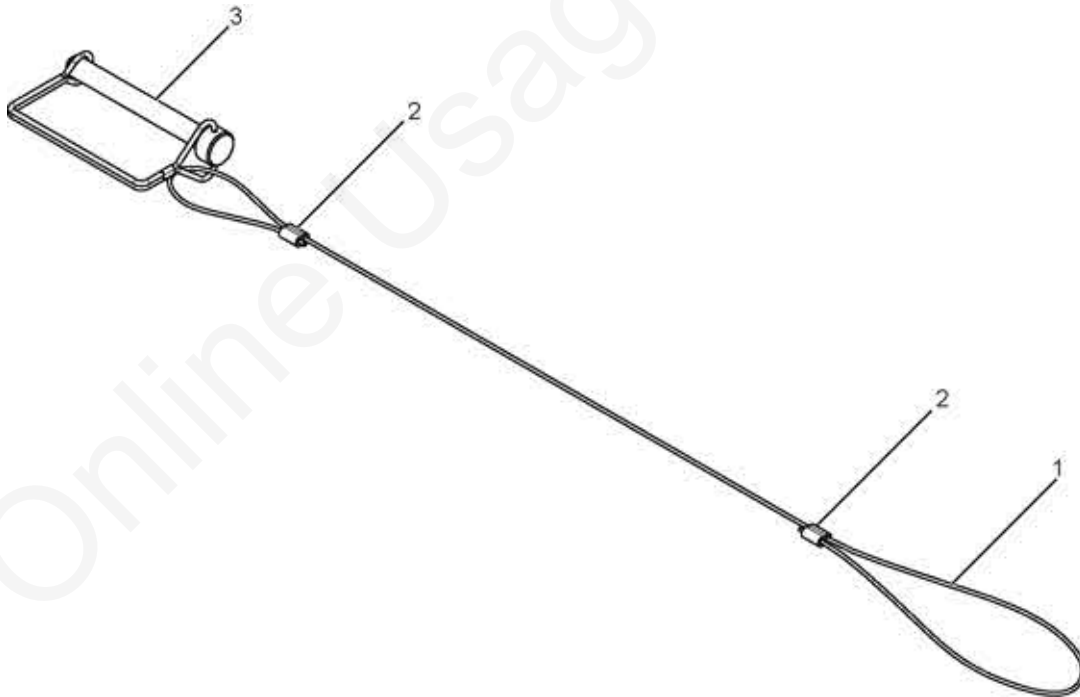
ENU / 2022-08-25

1. ROTATING STRUCTURE
1.17.2 PLATFORM ASSY ROTATING BED (810300292) Rev B

PLATFORM ASSY ROTATING BED (810300292) Rev B				
Pos.	Part	BOM Qty.	Foot Note	Description
1	810273130	2		BRACKET HANDRAIL SUPPORT
2	810293652 → page 1-136	2		LANYARD ASSY PIN
3	81030030	1		PLATFORM WELDMENT ROT BED
4	7126171353	8		HHCS M8X30 8.8 FLZN 4017
5	7661170803	8		HEXAGON LOCK NUT
6	7951170014	16		F WASHER 8 200HV FLZN ISO7089

Online Usage Only

1.17.5 LANYARD ASSY PIN (810293652) Rev B



1. ROTATING STRUCTURE
1.17.8 LADDER FOLDING ASSY (84025515) Rev A

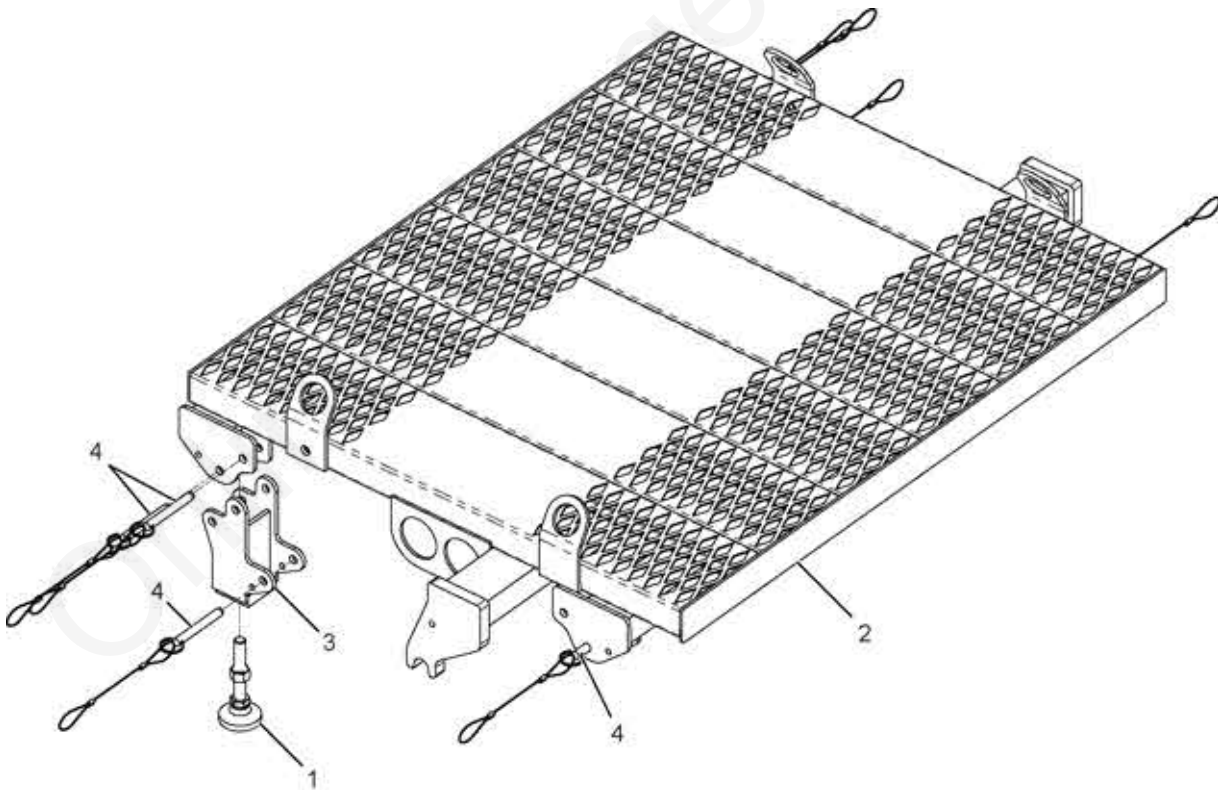
LANYARD ASSY PIN (81041140) Rev A				
Pos.	Part	BOM Qty.	Foot Note	Description
1	810070010	1 FT		WIRE ROPE 3/64 7X7 SS VC-1/16 CLEAR
2	810070020	2		SLEEVE 1/16 OVAL ALUMINUM
3	5636940	1		PIN QUICK RELEASE .375 DIA X 4.50 LG

Online Usage Only

1. ROTATING STRUCTURE

1.17.11 PLATFORM ASSY ROT BED INSIDE (81042241) Rev B

PLATFORM ASSY ROT BED (81042929) Rev A



ENU / 2022-08-25

1. ROTATING STRUCTURE
1.19.1 PLATFORM ASSY CARBODY SIDE (810269922) Rev A

PLATFORM ASSY CARBODY SIDE (810269922) Rev A				
Pos.	Part	BOM Qty.	Foot Note	Description
1	5620460	4		PIN COTTER 1/8 DIA X 1.75 LG
2	5637970	2		PIN QUICK RELEASE 3/4 X 3-3/4
3	6124070	12		HHCS 5/16-18UNC X 1.25 GR 5
4	810292732	2		PIN COTTER 2 HOLE 28.6 DIA X 88.9 LG
5	81030137	1		PLATFORM WELDMENT CARBODY
6	81030184	2		BEAM ASSY FORK TUBE
7	7127292353	2		HHCS M24x80 10.9 FLZN4017
8	7660152500	12		HEX LOCK NUT PA 5/16-18UNC SS
9	7661290003	2		HEX NUT M24 8FLZN ISO4032
10	7950150040	12		L Washer 5/16in Nar HRC44-51
11	7950150141	12		F WASHER 5/16 ST B18.21.1 NARROW

Online Usage

1. ROTATING STRUCTURE
1.25.3 PENDANT ASSY DEAD END (84028327) Rev A

PENDANT ASSY DEAD END (84028327) Rev A				
Pos.	Part	BOM Qty.	Foot Note	Description
1	84028318	1		LINK DEAD END MACHINING
2	2774360	1		PENDANT EACH 1.13 X 127.25 LG

Online Usage Only

1. ROTATING STRUCTURE

1.29.1 DECAL ASSY HANDRAIL ID (810339681) Rev FC

1.29.1 DECAL ASSY HANDRAIL ID (810339681) Rev FC

DECAL ASSY HANDRAIL ID (810339681) Rev FC				
Pos.	Part	BOM Qty.	Foot Note	Description
1	810294320	2		DECAL HANDRAIL ID #1
2	810294330	2		DECAL HANDRAIL ID #2
3	810294340	2		DECAL HANDRAIL ID #3
4	810294350	2		DECAL HANDRAIL ID #4
5	810294360	10		DECAL HANDRAIL ID #5
6	810294370	2		DECAL HANDRAIL ID #6
7	810294380	2		DECAL HANDRAIL ID #7
8	810294390	2		DECAL HANDRAIL ID #8
9	810294400	4		DECAL HANDRAIL ID #9

Online Usage

ENU / 2022-08-25

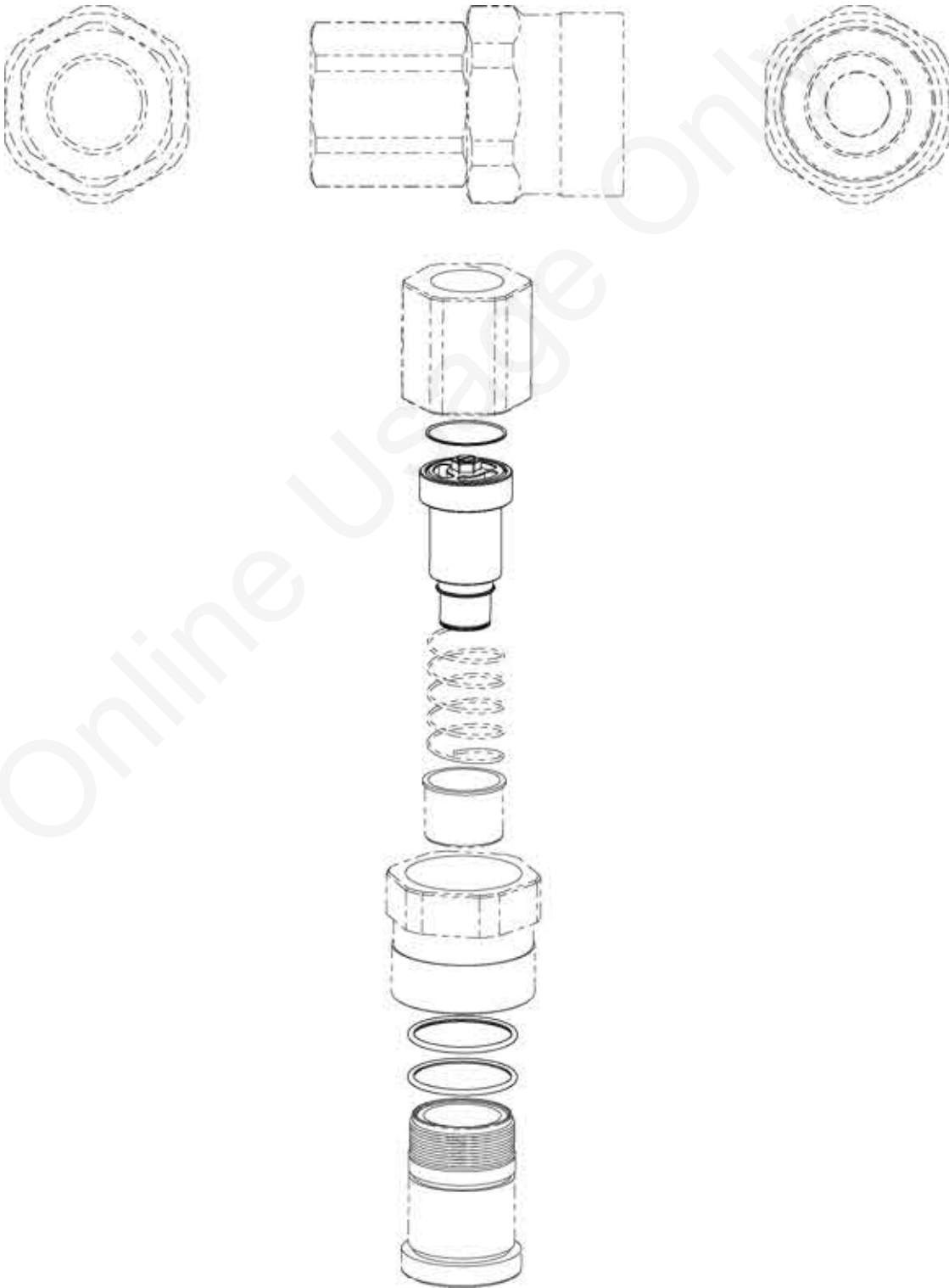
2. UPPERWORKS MACHINERY
2.1.1 BREATHER VENT TANK H2O VAPOR 35CFM (A164380) Rev B

BREATHER VENT TANK H2O VAPOR 35CFM (A164380) Rev B				
Pos.	Part	BOM Qty.	Foot Note	Description
1	A166890	1		BREATHER VENT REPLACEMENT
2	90024713	1		CAP

Online Usage Only

ENU / 2022-08-25

**2.3.1 Q DISC FITTING HYDR COUPLER -12ORBX (810039130)
Rev B**



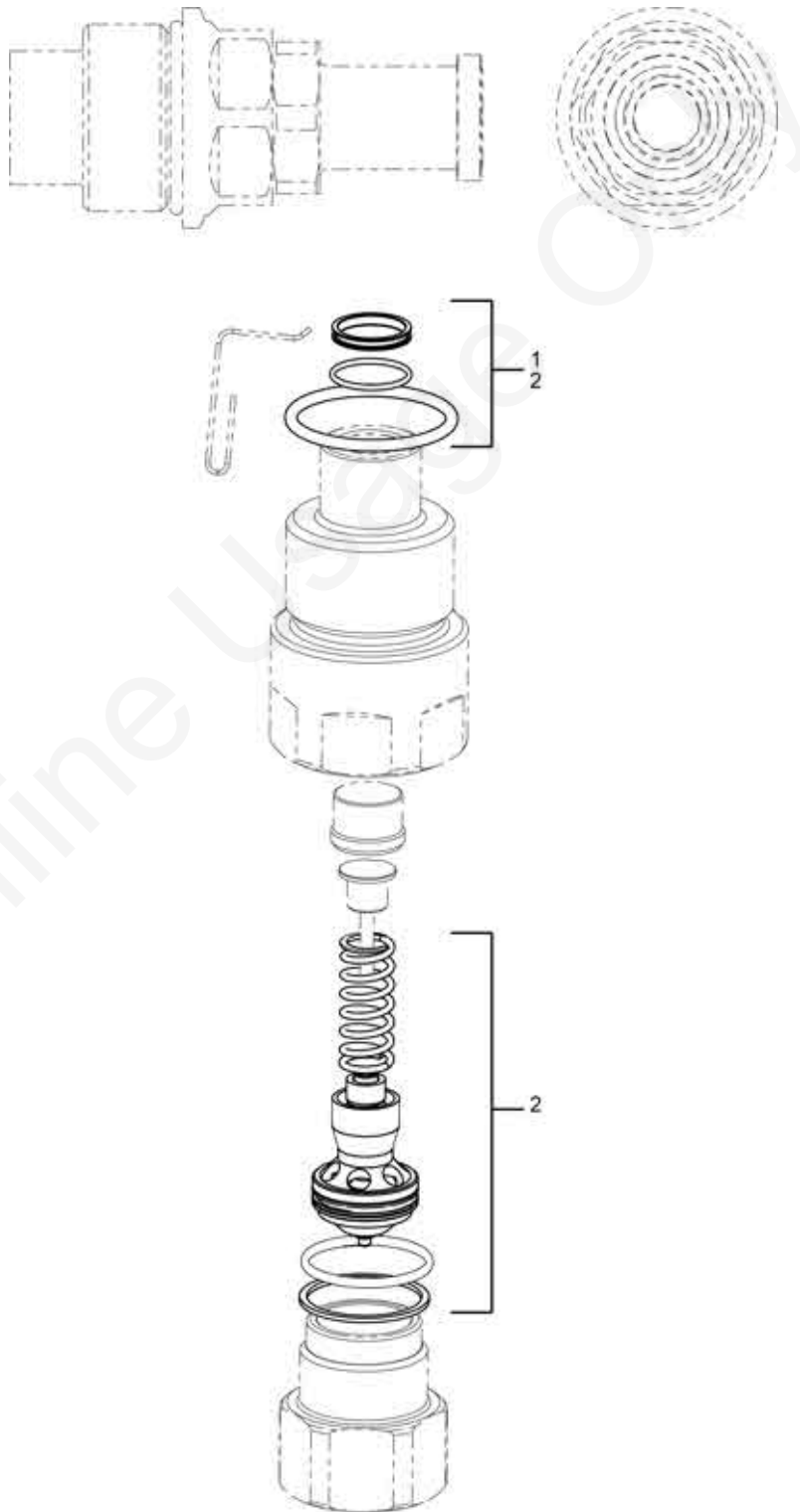
ENU / 2022-08-25

2. UPPERWORKS MACHINERY
2.4.3 ESI DRUM 4 (810277261) Rev E

ESI DRUM 4 (810277261) Rev E				
Pos.	Part	BOM Qty.	Foot Note	Description
1	810334750	1		WIRING HARNESS WRC3
3	810161360	1		SWITCH LIMIT ARM FIXED
4	810245252 → page 2-33	1		LIMIT SWITCH SUBASSY 90 DEG CORD
5	7128131754	4		SHCS 5 X 50 12.9
6	7661130804	4		NUT LOCK NYL INS M5-0.8 ZC
7	7951130014	4		F WASHER 5 ST ISO 7089
9	5469670	1		NUT PANEL 1.50-18UNEF-2B
10	7114320	1		LOCK WASHER 1.50 SPRING STEEL
11	810254602	1		BRACKET RECEPTACLE SIZE 18
13	7126191253	2		HHCS M10X25 8.8 FLZN 4017
14	7951190220	2		L WASHER 10 FLZN DIN127B

Online Usage

Q DISC FITTING HYD NIP -20 CODE 62X-24 (810042800) Rev D



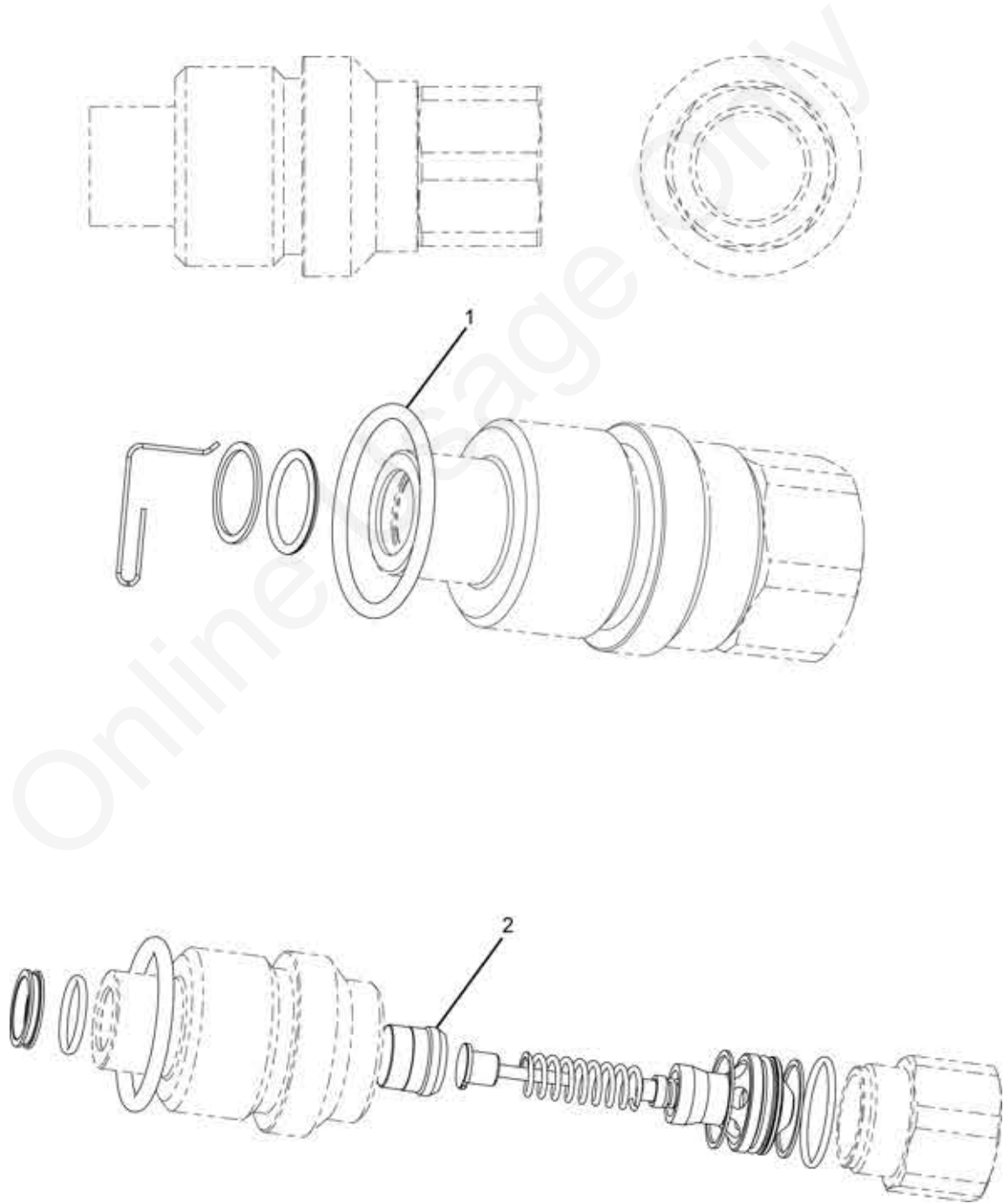
ENU / 2022-08-25

2. UPPERWORKS MACHINERY
2.5.1 GEARBOX HOIST 120.5 (810240222) Rev E

GEARBOX HOIST 120.5 (810240222) Rev E				
Pos.	Part	BOM Qty.	Foot Note	Description
1	90040061	1		SEAL KIT
1-1	9490220467	1		EXT RETAINING RING GEARBOX
1-2	9576101226	3		RETAINER RING
1-3	9527200043	4		RING, INT SNAP
1-4	9490220154	1		EXTERNAL SNAP RING
1-5	9576101140	1		RETAINER RING
1-6	9527200044	1		O-RING
1-7	9527200045	2		O-RING
1-8	5970050	1		O-RING
1-9	9754220053	2		O-RING
1-10	9490220262	2		O-RING
1-11	9754220055	2		O-RING PLANETARY
1-12	9490220569	1		SEAL
1-13	9490220440	2		PLUG
2	90040062	1		STACK & SEAL KIT
2-1	9490220467	1		EXT RETAINING RING GEARBOX
2-2	9576101226	3		RETAINER RING
2-3	9527200043	4		RING, INT SNAP
2-4	9490220154	1		EXTERNAL SNAP RING
2-5	9576101140	1		RETAINER RING
2-6	9527200044	1		O-RING
2-7	9527200045	2		O-RING
2-8	5970050	1		O-RING
2-9	9754220053	2		O-RING
2-10	9490220262	2		O-RING
2-11	9754220055	2		O-RING PLANETARY
2-12	9490220569	1		SEAL
2-13	9490220440	2		PLUG
2-14	9490220550	1		PLATE
2-15	9490220115	9		STEEL DISK
2-16	9188220013	1		RING
2-17	9490220117	10		BRONZE DISK
2-18	9794220002	1		BACK-UP RING PLANETARY
2-19	9794220003	1		PARBAK RING

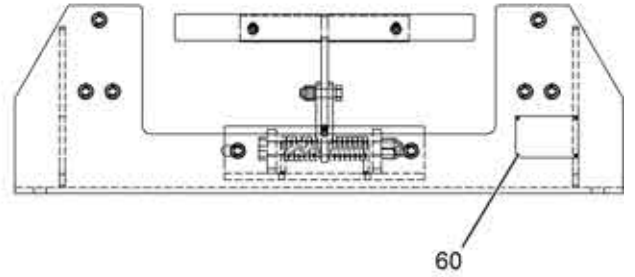
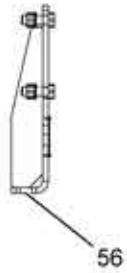
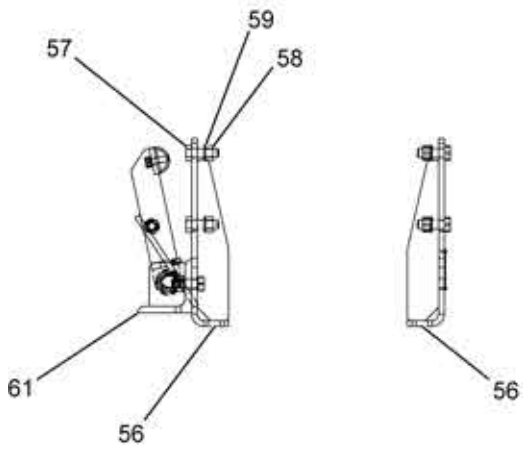
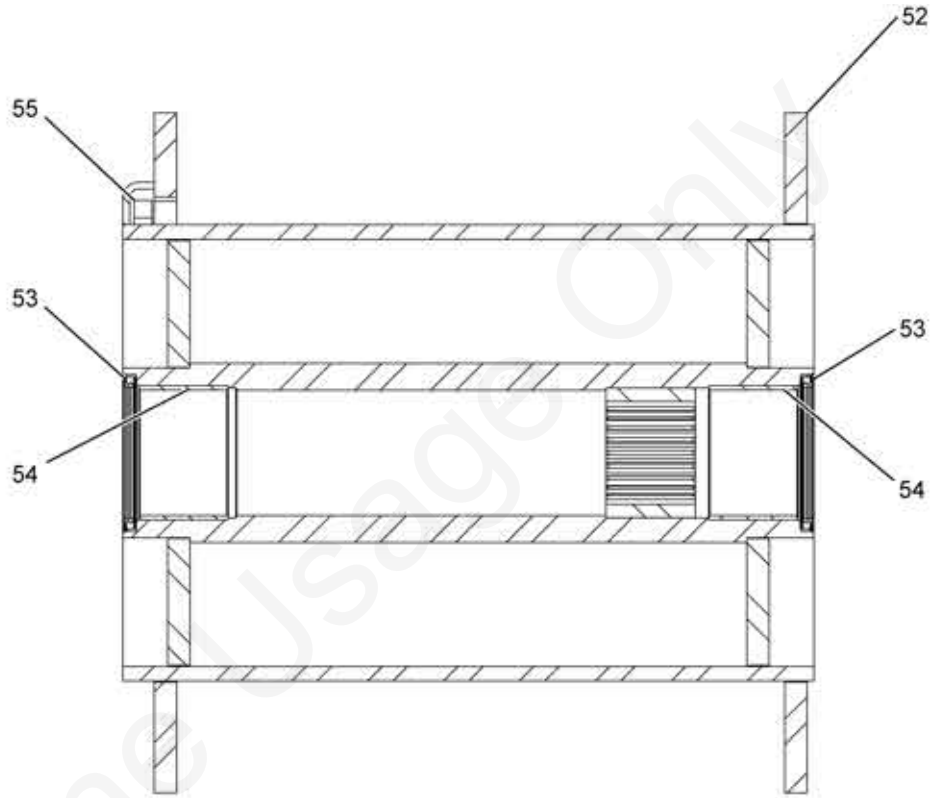
ENU / 2022-08-25

Q DISCON FITTING HYD NIPPLE -12ORBX-12 (810039140) Rev B



ENU / 2022-08-25

2. UPPERWORKS MACHINERY
2.7.1 WINCH RIGGING (810099570) Rev C



ENU / 2022-08-25

2. UPPERWORKS MACHINERY

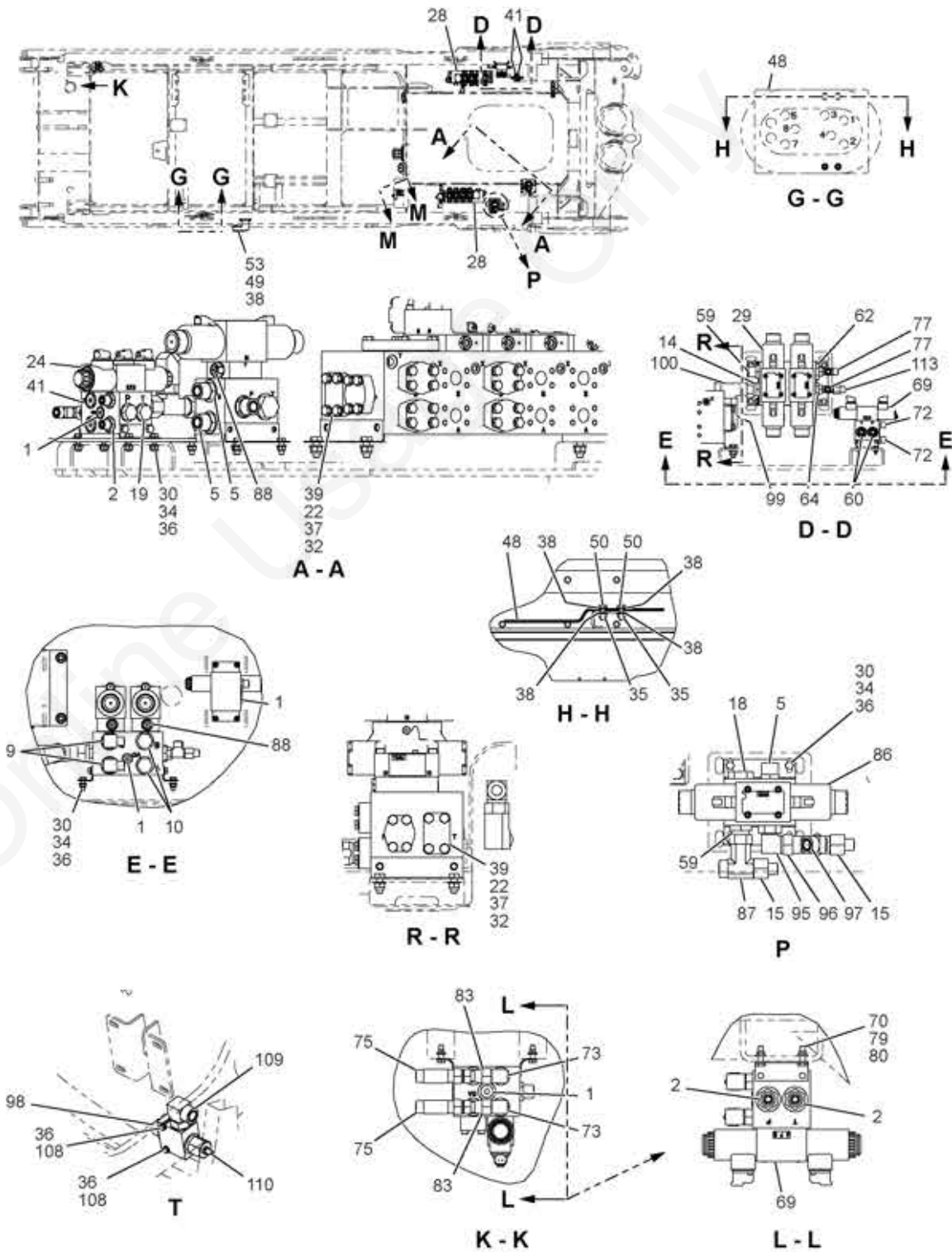
2.8.1 GEAR BOX HOIST 84.7:1 RATIO (810240160) Rev D

GEAR BOX HOIST 84.7:1 RATIO (810240160) Rev D				
Pos.	Part	BOM Qty.	Foot Note	Description
2-21	9490220550	1		PLATE
2-22	9490220115	9		STEEL DISK
2-23	9188220013	1		RING
2-24	9490220117	10		BRONZE DISK
AU = PART NOT SHOWN				

Online Usage Only

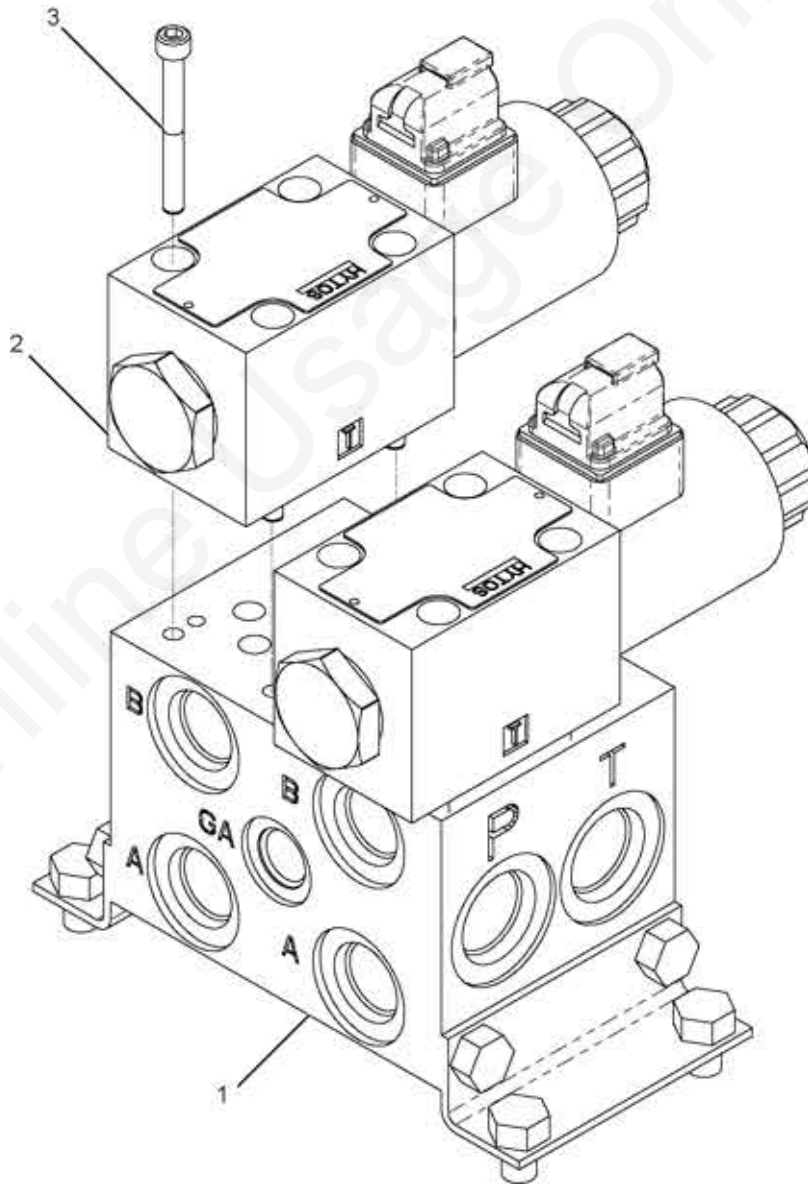
ENU / 2022-08-25

2. UPPERWORKS MACHINERY
 2.10 HYD EQUIP ROT BED VALVES (810268821) Rev M



ENU / 2022-08-25

2.10.3 VALVE BANK 2BK ASY D032-2P4W AL (810136500) Rev B

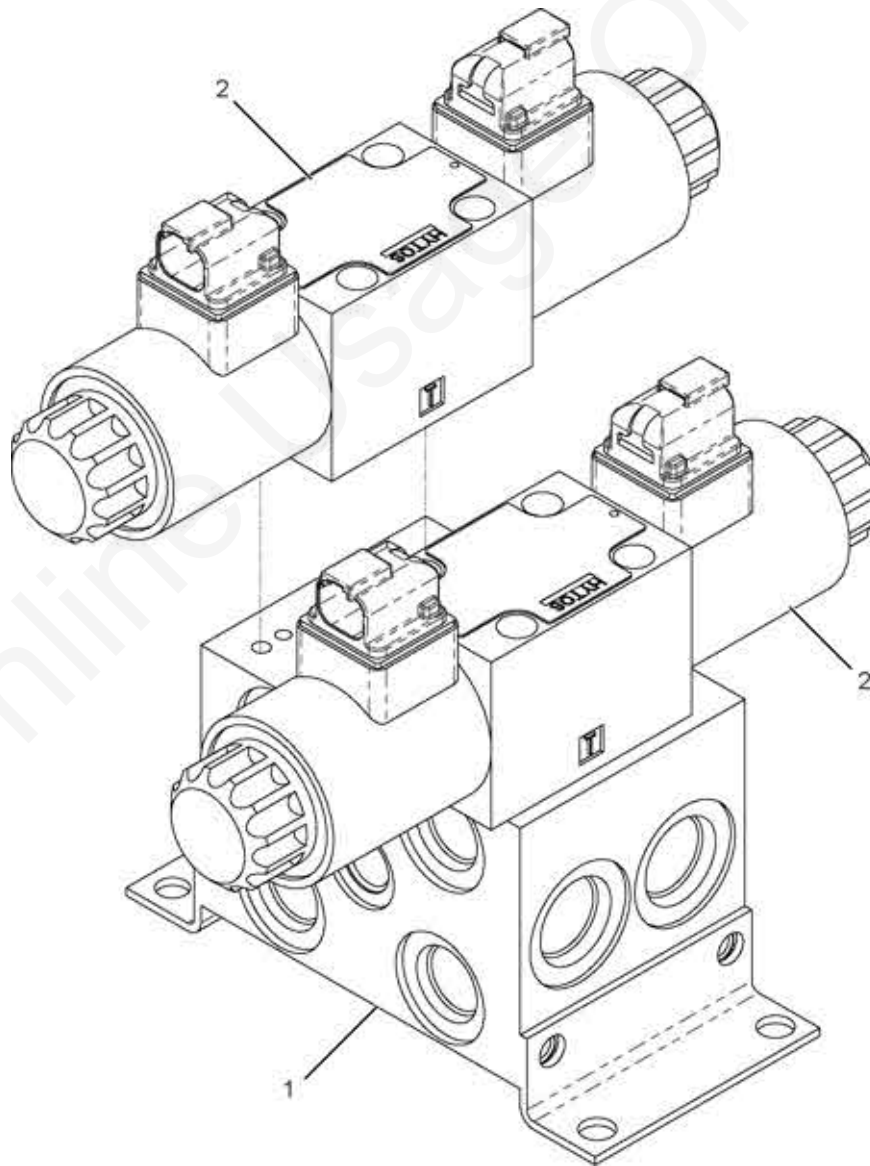


2. UPPERWORKS MACHINERY
2.10.7 VALVE MANIFOLD 2 BK ASSY DO2 (810337762) Rev B

VALVE MANIFOLD 2 BK ASSY DO2 (810337762) Rev B				
Pos.	Part	BOM Qty.	Foot Note	Description
1	810337732	1		VALVE BANK EH DO2 4W 3P CTR DRN
2	810337742	1		VALVE MANIFOLD 2 BK AD02P021S
3	810337752	1		COVER PLANE D02 PARALLEL ALUM M
4	7128131454	8		CAPSCREW

Online Usage Only

2.11.1 VALVE MANIFOLD ASSY 2 BK D03 2-3P4W AL (810136490) Rev B



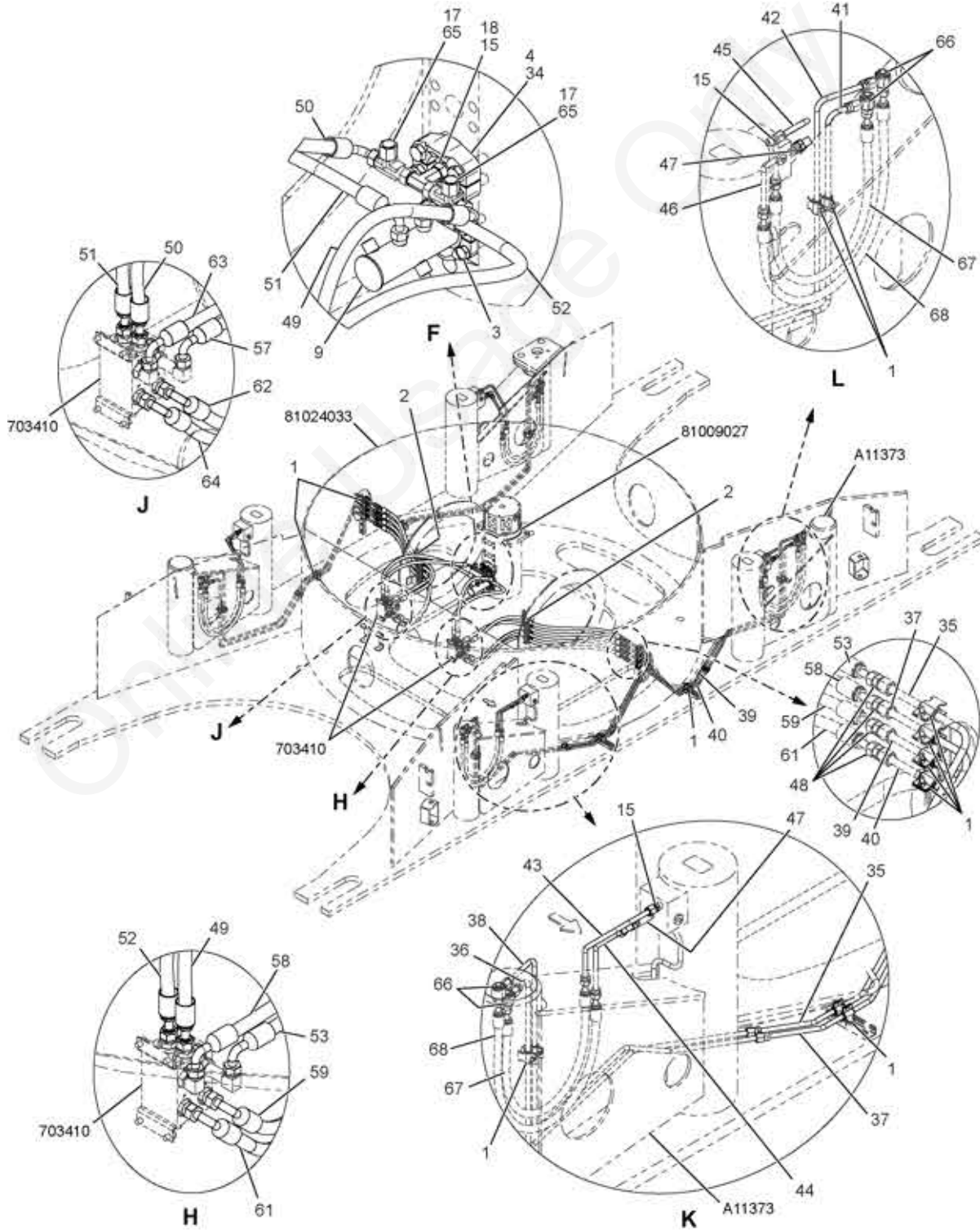
ENU / 2022-08-25

2. UPPERWORKS MACHINERY
2.14.1 FRAME HOSE STOWAGE (81041424) Rev D

FRAME HOSE STOWAGE (81041424) Rev D				
Pos.	Part	BOM Qty.	Foot Note	Description
1	81037652	2		FITTING PLUG MOUNTING, -12 QD
2	81037653	4		FITTING PLUG MOUNTING, -24 QD
3	81037824	2		FITTING PLUG MOUNTING, -16 QD
4	81041313	1		BRACKET HOSE STOWAGE
11	810115390	8		WIRE RING COTTER 1.00 OD
12	81041239	8		PIN LOCKING 0.25 DIA X 1.38L
13	81042207 → page 2-143	8		PIN HOSE STOWAGE
14	81042402	1		BRACKET HOSE STOWAGE
15	7127191453	2		HHCS M10X35 10.9 FLZN4017
16	7661191103	2		HEX LOCK NUT M10 8FLZN ISO7042
17	7951190014	4		F WASHER 10 200HV FLZN 7089
18	81041238	8		LANYARD STAINLESS 12 IN

ENU / 2022-08-25

2.16 HYD LINES INSTL CARBODY JACK CYL (810274481) Rev D



ENU / 2022-08-25

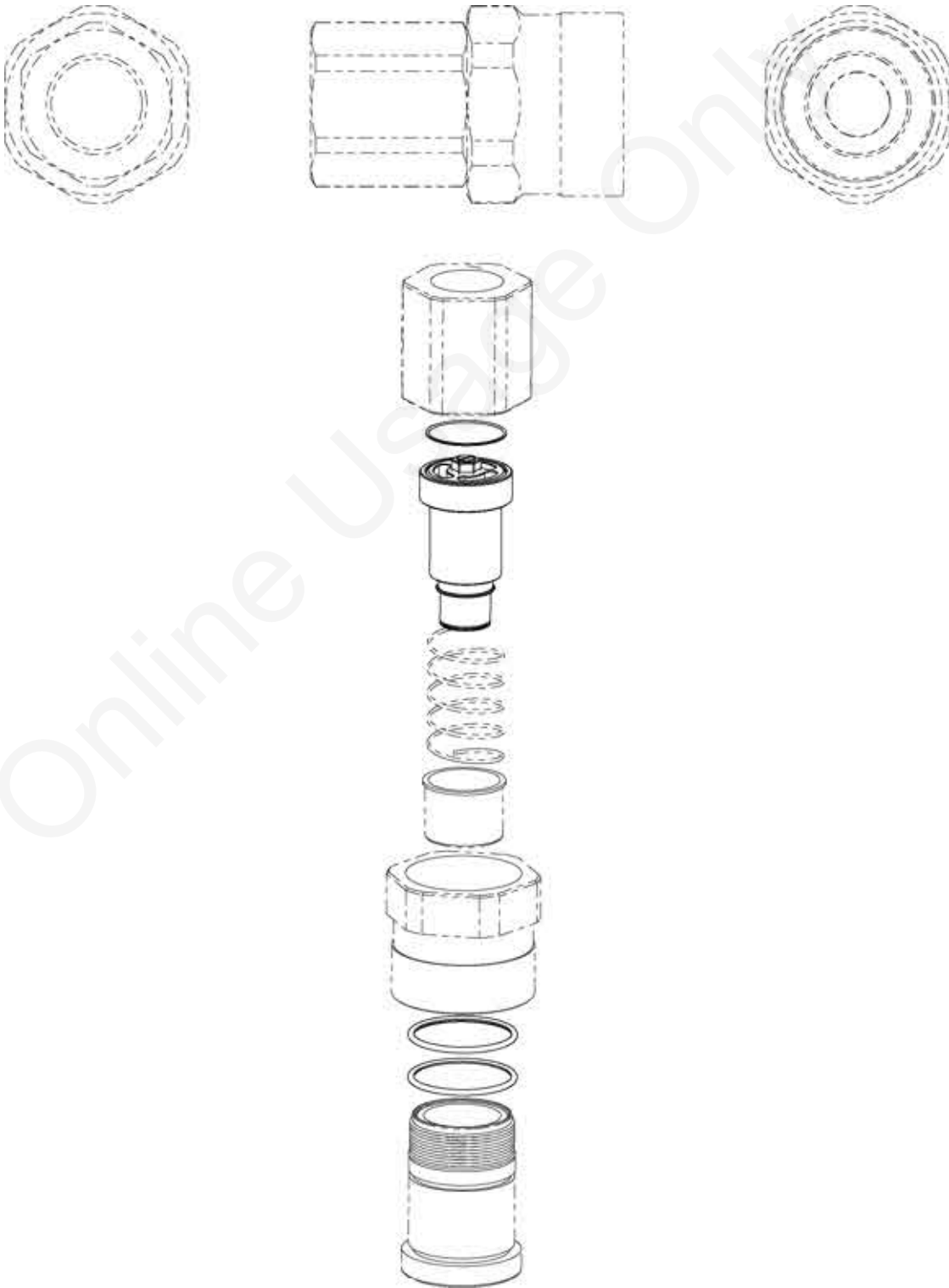
2. UPPERWORKS MACHINERY
2.18.2 Q DISCON FITTING -20CD62 X -24 (810114700) Rev C

Q DISCON FITTING -20CD62 X -24 (810114700) Rev C				
Pos.	Part	BOM Qty.	Foot Note	Description
1	810120190	1		FITTING QUICK DISC COUPLER

Online Usage Only

ENU / 2022-08-25

**2.20.1 Q DISC FITTING HYDR COUPLER -12ORBX (810039130)
Rev B**



ENU / 2022-08-25

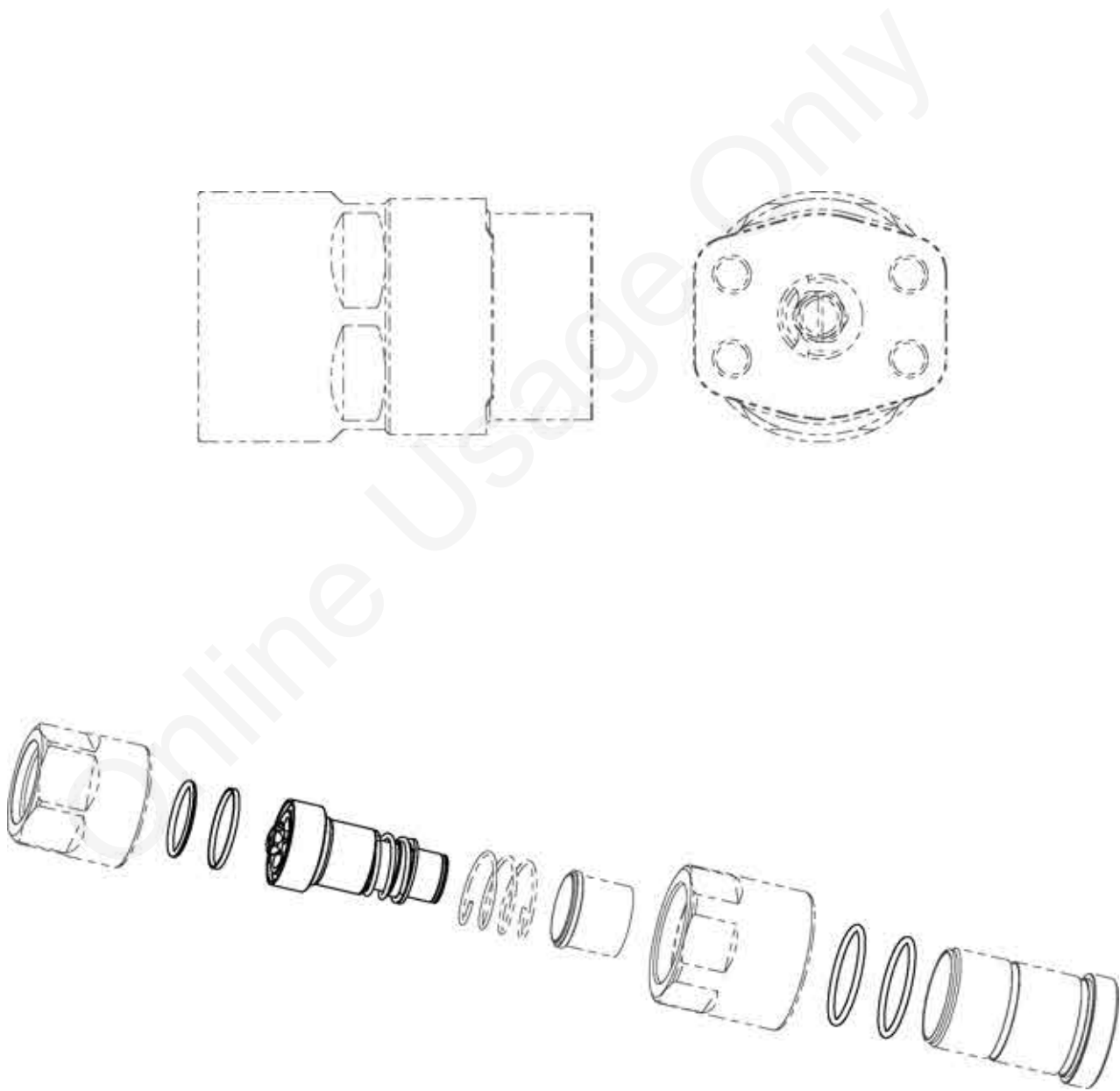
2. UPPERWORKS MACHINERY
2.20.6 VALVE DIRECTIONAL CNTRL DO3 2 POS 4 WAY (810239070) Rev A

VALVE DIRECTIONAL CNTRL DO3 2 POS 4 WAY (810239070) Rev A				
Pos.	Part	BOM Qty.	Foot Note	Description
1	90038353	1		COIL 810239070 VALVE
2	90038354	1		SEAL KIT

Online Usage Only

ENU / 2022-08-25

2.21.3 Q DISCON FITTING -20CD62 X -24 (810114700) Rev C



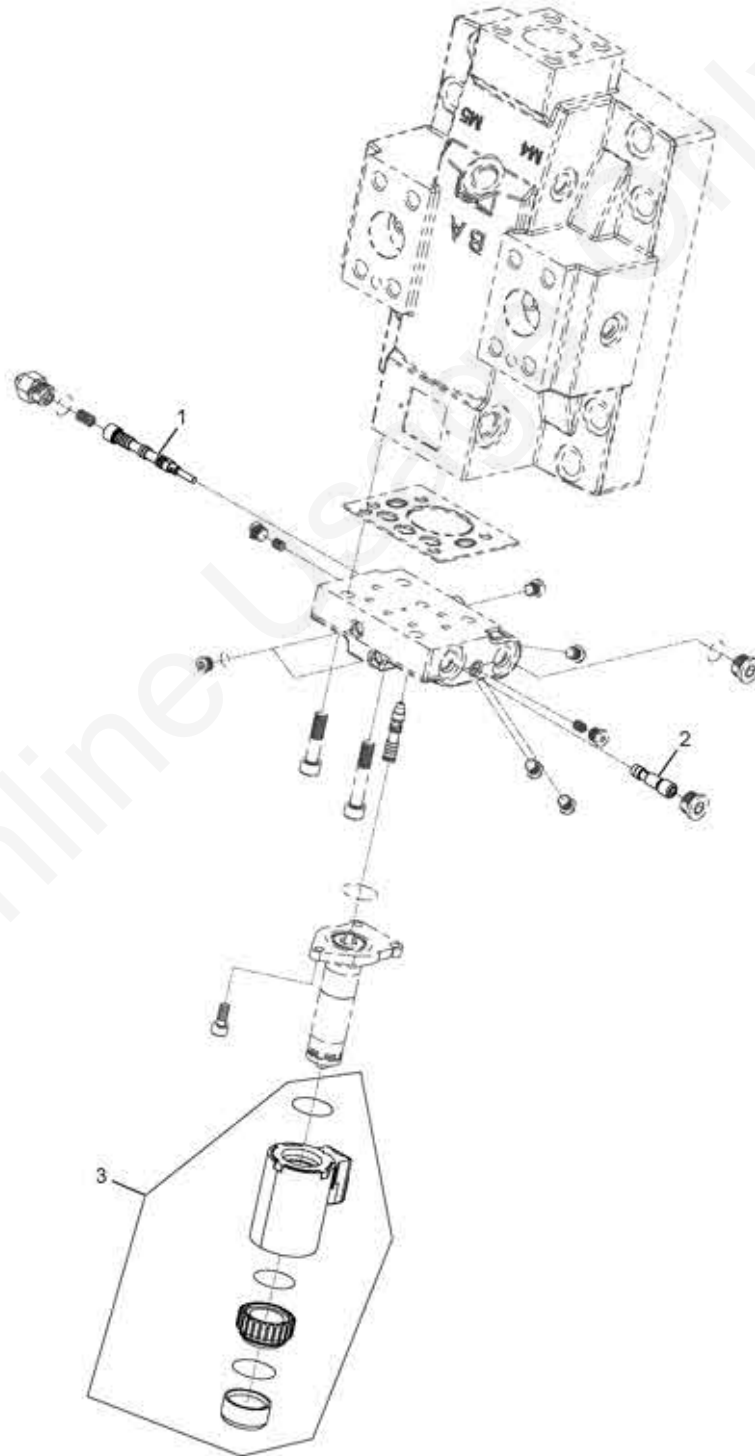
ENU / 2022-08-25

2. UPPERWORKS MACHINERY
2.24 HYD LINES INSTL ACC HIGH PRESS (810274611) Rev J

HYD LINES INSTL ACC HIGH PRESS (810274611) Rev J				
Pos.	Part	BOM Qty.	Foot Note	Description
3	7447060634	1		FITTING ADAPTER TEE -60RFS X -60RFS
4	4284640	2		FITTING ADPTR 90 DEG 80RES X 80RFS
5	7555213403	1		HOSE ASSY .38 ID X 134 LG
7	7555214403	1		HOSE ASSY .38 ID X 144 LG
8	7555303771	1		HOSE ASSY .50 ID X 37 LG
9	7555303471	1		HOSE ASSY .50 ID X 34 LG
10	7555303771	1		HOSE ASSY .50 ID X 37 LG
11	7555303771	1		HOSE ASSY .50 ID X 37 LG
12	7555304071	1		HOSE ASSY .50 ID X 40 LG
13	7555304071	1		HOSE ASSY .50 ID X 40 LG
14	7555307570	1		HOSE ASSY CODED .50 ID X 75 LG
16	7555603171	1		HOSE ASSY CODED 1.00 ID X 31LG
20	4282320	2		FITTING ADPTR STRT 120RFS X 120RB
26	7555512600	1		HOSE ASSY .75 ID X 126.0 LG
27	7555512600	1		HOSE ASSY .75 ID X 126.0 LG
28	81003913	2		Q DISCON FITTING COUPLER 12 ORB X 12
29	810186140	1		NAMEPLATE ID TAG ROUND #014
30	810186150	1		NAMEPLATE TAG ROUND #015
37	4285990	1		FITTING ADPTR STRT 60RFS X 120RB
38	7447060646	1		FITTING ADPTR 45 DEG -60RFS X -60RFS
40	810272110	1		CLAMP 22MM-22MM DIA GRP3 DIN3015
41	810275920	1		PLATE WELD GROUP 3 DIN3015
42	7555307070	1		HOSE ASSY .50 ID X 75 LG
43	7447080833	2		FITTING ADAPTER 90 DEG -80RFS X -80RFS
44	7126171753	2		HHCS M8X50 8.8 FLZN 4017
45	7094300	2		F WASHER 5/16 ST USS
46	81037652	2		FITTING PLUG MOUNTING, -12 QD
47	81042207 → page 2-209	2		PIN HOSE STOWAGE
48	81041239	2		PIN LOCKING 0.25 DIA X 1.38L
49	810115390	2		WIRE RING COTTER 1.00 OD
50	81041238	1		LANYARD STAINLESS 12 IN
51	810272150	1		CLAMP 30 MM-30MM DIA GRP4 DIN3015
52	810275930	1		PLATE WELD GP 4 DIN3015

ENU / 2022-08-25

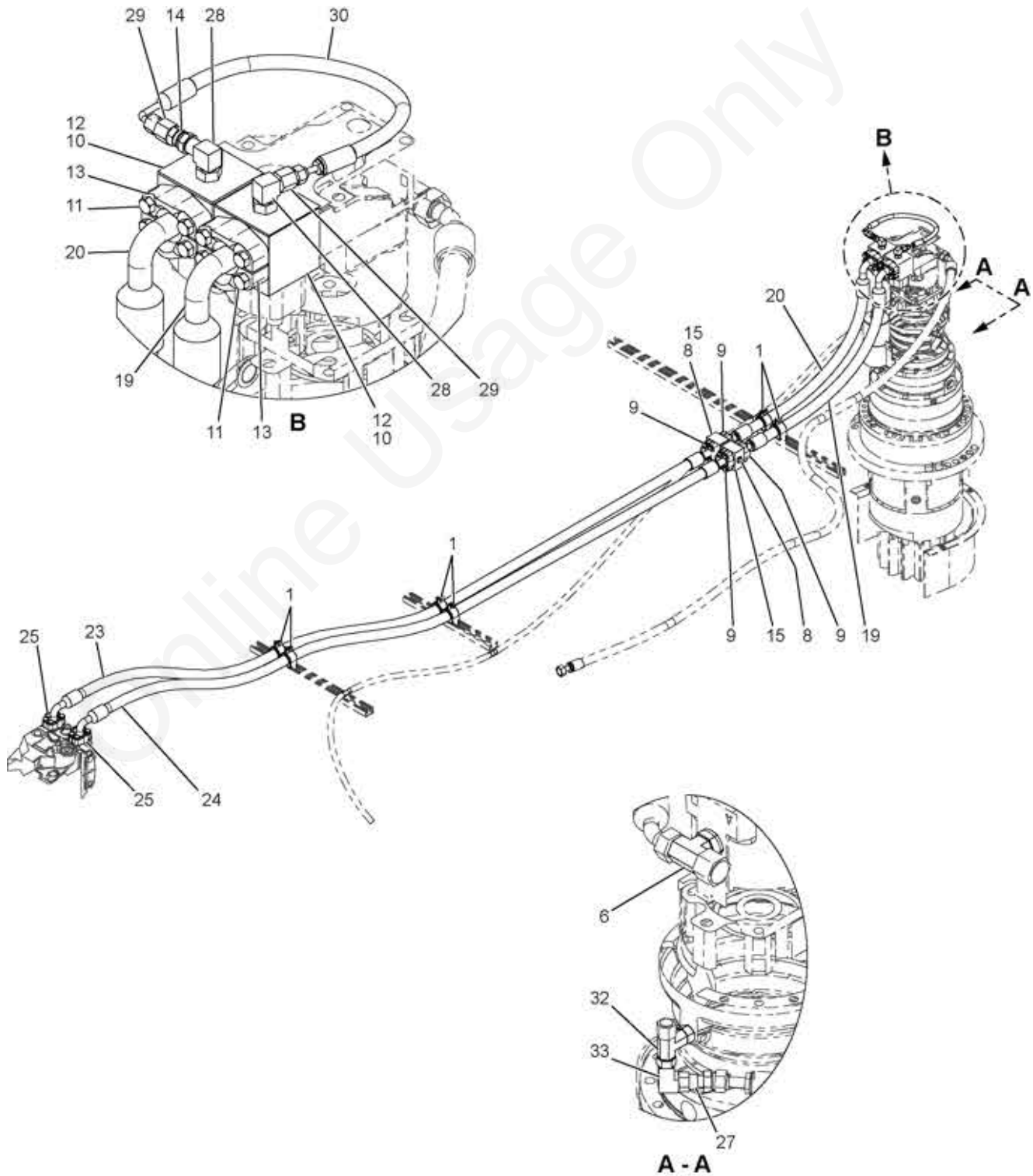
2.25.3 HYD MOTOR 160 CC PIS EH24V (81041430) Rev C



Online Usage Only

ENU / 2022-08-25

2.27 HYD LINES INSTL SWING MOTOR CIRCUIT (810279571) Rev G



ENU / 2022-08-25

2. UPPERWORKS MACHINERY
2.30.1 VALVE MANIFOLD ASSY 2 BK D03 2-3P4W AL (810136490) Rev B

VALVE MANIFOLD ASSY 2 BK D03 2-3P4W AL (810136490) Rev B				
Pos.	Part	BOM Qty.	Foot Note	Description
1	7034100	1		MANIFOLD BLOCK 2 BANK D03
2	810270870	2		VALVE PROPORTIONAL 3 POS, 4 WAY, 30 LPM

Online Usage Only

2. UPPERWORKS MACHINERY

2.31 HYD LINES INSTL CARBODY PIN PULL BRK (810292181) Rev D

HYD LINES INSTL CARBODY PIN PULL BRK (810292181) Rev D				
Pos.	Part	BOM Qty.	Foot Note	Description
1	3455110	8		CLAMP TUBE 0.75 DIA
2	3455150	12		CLAMP TUBE 0.50 DIA
3	3456850	16		CLAMP TUBE 0.88 DIA
4	81003914	8		Q DISCON FITTING NIPPLE 12 ORB X 12
5	810270320	4		CLAMP 0.5 DIA DIN3015
7	810281850	2		TUBE PREFORMED .50 OD X .083 WALL C1010
8	810281860	2		TUBE PREFORMED .50 OD X .083 WALL C1010
9	810289140	2		TUBE PREFORMED .50 OD X .083 WALL C1010
10	810289150	2		TUBE PREFORMED .50 OD X .083 WALL C1010
12	7128191254	10		SHCS M10-1.5 X 25 12.9
13	7447080801	4		FITTING ADAPTER STRAIGHT -80RFS X -80RB
15	7447080809	9		FITTING ADAPTER UNION STR -80RFS X -80RF
17	7447081201	8		FITTING ADAPTER STRAIGHT -80RFS X -120RB
18	7555301801	1		HOSE ASSY .50 ID X 18 LG
19	7555302501	1		HOSE ASSY .50 ID X 25 LG
20	7555303701	1		HOSE ASSY .50 ID X 37 LG
22	7555304202	1		HOSE ASSY .50 ID X 42.00 LG
23	7555305201	1		HOSE ASSY .50 ID X 52 LG
24	7555307001	1		HOSE ASSY .50 ID X 70 LG
25	7555307201	1		HOSE ASSY .50 ID X 72" LG
27	7555307802	1		HOSE ASSY .50 ID X 78" LG
28	7555308001	1		HOSE ASSY .50 ID X 80 LG
29	7555308501	1		HOSE ASSY .50 ID X 85" LG
30	7555308501	1		HOSE ASSY .50 ID X 85" LG
31	7555309801	1		HOSE ASSY .50 ID X 98 LG
32	7555309801	1		HOSE ASSY .50 ID X 98 LG
33	7555311001	1		HOSE ASSY .50 ID X 110 LG
34	7555311001	1		HOSE ASSY .50 ID X 110 LG
37	A064540	2		FITTING ADPTR STRAIGHT 80RFSX M18X1.5
38	A064560	1		FITTING ADPTR STRAIGHT 80RFS X M27X2.0
40	81003915	8		CAP DUST 12
42	7555305601	1		HOSE ASSY .50 ID X 56 LG
43	7555305601	1		HOSE ASSY .50 ID X 56 LG
44	7555305601	1		HOSE ASSY .50 ID X 56 LG
45	7555305601	1		HOSE ASSY .50 ID X 56 LG
46	810186640	2		NAMEPLATE
47	810186670	2		NAMEPLATE
48	810186680	2		NAMEPLATE
49	810186690	2		NAMEPLATE
50	810271010	8		CHANNEL ANCHOR CLAMP ADAPTER

ENU / 2022-08-25

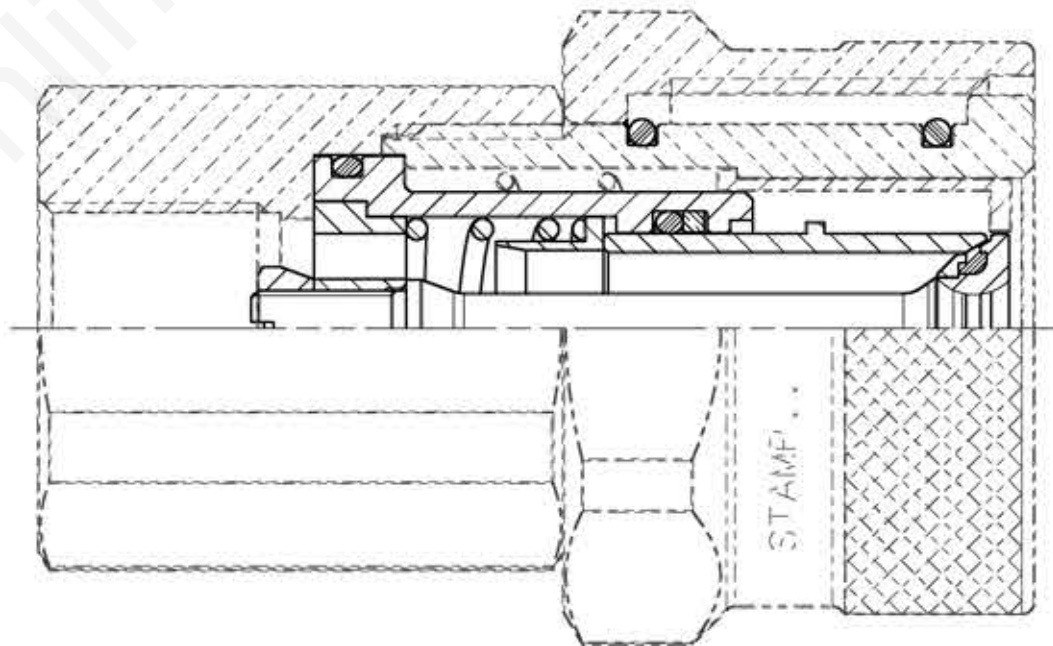
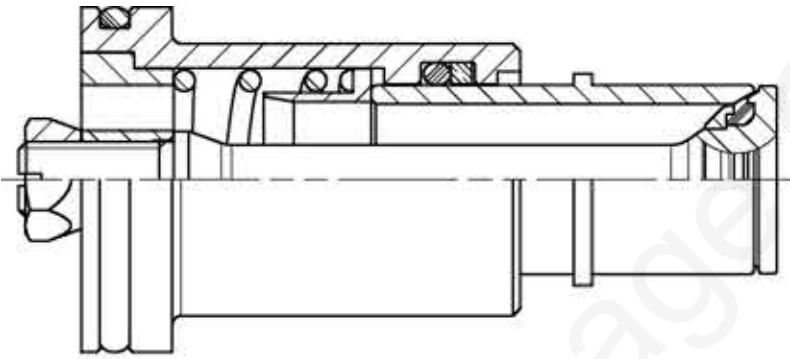
2. UPPERWORKS MACHINERY
2.34.1 Q DISC FITTING HYDR COUPLER -12ORBX (810039130) Rev B

Q DISC FITTING HYDR COUPLER -12ORBX (810039130) Rev B				
Pos.	Part	BOM Qty.	Foot Note	Description
1	810120130	1		FITTING QUICK DISC COUPLER

Online Usage Only

ENU / 2022-08-25

**2.35.3 Q DISCON FITTING HYDR COUPLER -8ORBX- (810121640)
Rev B**



ENU / 2022-08-25

2. UPPERWORKS MACHINERY
2.37.2 PIN HOSE STOWAGE (81042207) Rev B

PIN HOSE STOWAGE (81042207) Rev B				
Pos.	Part	BOM Qty.	Foot Note	Description
2	81041503	1		PIN 1 HOLE 25.0 DIA X 60.0 LG
3	7661210804	1		HEX LOCK NUT M12 10FLZN ISO7040

Online Usage Only

ENU / 2022-08-25

2. UPPERWORKS MACHINERY

2.41 HYD LINES INSTL TANK RETURN (810382669) Rev T

HYD LINES INSTL TANK RETURN (810382669) Rev T				
Pos.	Part	BOM Qty.	Foot Note	Description
1	3455130	2		CLAMP TUBE 1.25 DIA
2	3455160	2		CLAMP TUBE 1.50 DIA
3	3456850	1		CLAMP TUBE 0.88 DIA
4	3456860	2		CLAMP TUBE 1.38 DIA
5	4295330	2		FITTING PLUG ORB 20
6	4295500	2		FLANGE ASSY SPLIT CODE 61 W/HARDWARE
7	810122920	7		FITTING PLUG 8 ORB, SAE INTERNAL
8	4295820	3		FITTING O-RING PLUG 16
9	4316370	2		SPLIT FLANGE KIT -16 7/16-14 X 1.75
10	4316410	1		FLANGE ASSY SPLIT CODE 61 W/HARDWARE
11	4316440	1		FLANGE ASSY SPLIT CODE 61 W/HARDWARE
12	4316470	1		SPLIT FLANGE KT -24 5/8-11UNC X2.25 6KSI
13	5966930	4		O-RING 1.852 X 1.296 X .139 X 90
14	5968010	9		O-RING 2.790X2.234X.139X90
15	6124700	8		HHCS 3/8-16UNC X 3.00 GR5
16	6125790	16		HHCS 1/2-13UNC X 4.50 GR 5
17	6149190	4		SHCS 1/2-13UNC X 1.75 A574
18	81003914	4		Q DISCON FITTING NIPPLE 12 ORB X 12
19	81003915	1		CAP DUST 12
23	810058230	12		CLAMP TUBE 1.19 DIA
27	810160960	4		FLANGE SPLIT CODE 61 32 3.0KSI
28	810186100	1		NAMEPLATE ID TAG ROUND #10
29	810186200	1		NAMEPLATE ID TAG ROUND #020
35	810216670	2		Q DISCON FITTING COUPLER 16 CODE 62 X20
37	810270380	4		CLAMP 1.25 DIA DIN3015
38	810270560	2		PLATE GROUP 3 DIN3015
39	810270640	3		PLATE DIN 3015 GROUP 3
40	810270740	4		CLAMP STACKING BOLT DIN3015 GROUP 3
41	810271010	8		CHANNEL ANCHOR CLAMP ADAPTER
42	810292830	1		TUBE PREFORMED 1.25 OD X .120 WALL 4130
43	810293140	3		FITTING STRAIGHT -12 ORFS X -12 ORB
44	810294230	1		FLANGE 32 CODE 61 X -20 ORB
45	810297112	2		TUBE PREFORMED 1.25 OD X .120 WALL 4130
48	81035699	3		FITTING ADPTR 90 DEG 24 ORFS TO 32 #61
49	81035710	1		FITTING ADPTR 90 DEG 24 ORFS TO 24 #62
50	81036263	1		FITTING ADAPTER STRAIGHT ORFS TO CODE 61
51	81037949	1		MANIFOLD BLOCK HEADER 270 DEG
52	84020112	1		MANIFOLD BLOCK HEADER
53	81039171 page 2-311	2		MANIFOLD BLOCK 2 BAR CHECK 12 PORT
54	81039257	2		FLANGE PLATE CONNECTOR CODE 61-32 SP
55	81039289	1		MANIFOLD BLOCK HEADER 180 DEG
56	81039399	1		BRACKET MANIFOLD

ENU / 2022-08-25

CLICK HERE TO **DOWNLOAD** THE COMPLETE MANUAL

- Thank you very much for reading the preview of the manual.
- You can download the complete manual from: www.heydownloads.com by clicking the link below



- Please note: If there is no response to CLICKING the link, please download this PDF first and then click on it.

CLICK HERE TO **DOWNLOAD** THE COMPLETE MANUAL

2. UPPERWORKS MACHINERY
2.43 HYD LINES INSTL ROTATING BED DRUM 5 (81033602) Rev F

HYD LINES INSTL ROTATING BED DRUM 5 (81033602) Rev F				
Pos.	Part	BOM Qty.	Foot Note	Description
1	3455110	5		CLAMP TUBE 0.75 DIA
2	3455130	6		CLAMP TUBE 1.25 DIA
3	3456860	2		CLAMP TUBE 1.38 DIA
4	4295500	2		FLANGE ASSY SPLIT CODE 61 W/HARDWARE
5	5966920	4		O-RING 2.040 X 1.484 X .139
6	810039140 ▶ page 2-321	1		Q DISCON FITTING HYD NIPPLE -12ORB X-12
7	810039150	1		CAP DUST -12
8	810043080	2		CAP DUST -24
9	810114710 ▶ page 2-323	2		Q DISCON FITTING NIPPLE-20CODE62 X-24
10	81016085	2		SPLIT FLANGE PAIR -20 6.0 KSI
11	810186400	1		NAMEPLATE ID TAG ROUND #040
12	810186410	1		NAMEPLATE ID TAG ROUND #041
13	810186420	1		NAMEPLATE ROUND #042
14	810186430	1		NAMEPLATE ROUND #043
15	810269530	1		CHANNEL ANCHOR CLAMP 25.4 DP X 406.4 LG
16	810293140	3		FITTING STRAIGHT -12 ORFS X -12 ORB
17	84038702	1		TUBE ASSY DRUM 5 RETURN
18	84039298	1		TUBE ASSY CHARGE PRESSURE
19	81041339	1		TUBE PREFORMED 1.25 OD X .187 WALL
20	81041677	1		TUBE PREFORMED 1.25 OD X .187 WALL
21	81042477	2		MANIFOLD BLOCK 20 CODE 62 MNT HOLE
22	84038705	1		BRACKET DRUM 5 PIPING MOUNT
23	7126211350	8		HHCS 12 X 30 8.8
24	810288410	2		SBCS M12-1.75 X 30 10.9 SS
25	7126212650	8		HHCS M12X100 8.8 FLZN4014
26	7447121203	2		FITTING ADAPTER 90 DEG -12ORFS X -12ORB
28	7579404541	1		HOSE ASSY 1.00 ID X 44 LG
29	81042781	1		HOSE ASSY 1.00 ID X 50 LG
31	7555512202	1		HOSE
32	A175600	2		FLANGE SPLIT CODE 61 16 10 X 30 350 BAR
33	4316490	1		SPLIT FLANGE KIT -20 1/2-13 X 1.75
34	810256110	1		TUBE PREFORMED 1.25 OD X.120 W C61/
35	81042632	1		CLAMP 1.18 DIA DIN3015
36	810270560	1		PLATE GROUP 3 DIN3015
37	810270640	1		PLATE DIN 3015 GROUP 3
38	7126192153	2		HHCS M10X70 8.8 FLZN 4017
39	7555513000	1		HOSE
40	4284820	2		FITTING ADPTR STRT 16ORB X 12ORB
41	810052050	2		Q DISCON FITTING NIPPLE 16 ORB X 16
42	810056490	2		CAP DUST -16
43	3455150	1		CLAMP TUBE 0.50 DIA

ENU / 2022-08-25

3. CONTROLS, ELECTRICAL

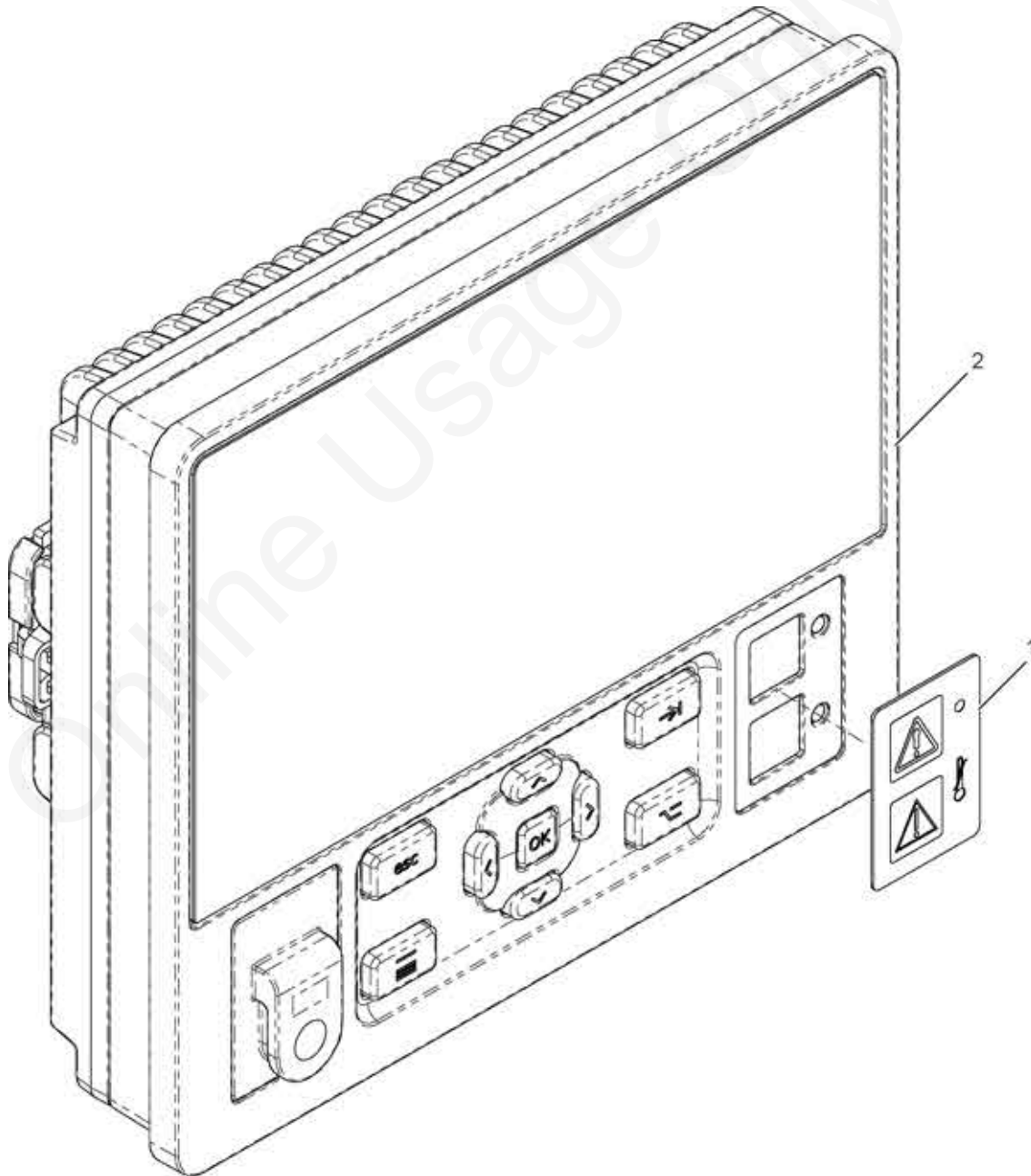
CONTROLS, ELECTRICAL				
Pos.	Part	BOM Qty.	Foot Note	Description
1945	81037054 ➤ page 3-135	1		SWITCH AUX. POWER UNIT CAB
2140	81040002 ➤ page 3-137	1		ENCODER ASSY VPC POSITION
2300	81041072 ➤ page 3-139	1		ESI VPC-MAX PREP
2360	81041734 ➤ page 3-145	1		ESI 12M INSERT CCTV
2390	81034286 ➤ page 3-147	1		ESI UPPER BOOM POINT
2400	81041880 ➤ page 3-155	1		ESI CCTV DRUM 6
2510	81041916 ➤ page 3-157	1		ESI BOOM TOP CAM PREP
2530	810361101 ➤ page 3-159	1		ESI DRUM 2/3

Online Usa3000.com

Online Usage Only

ENU / 2022-08-25

DISPLAY CCS COLOR (84020921) Rev B

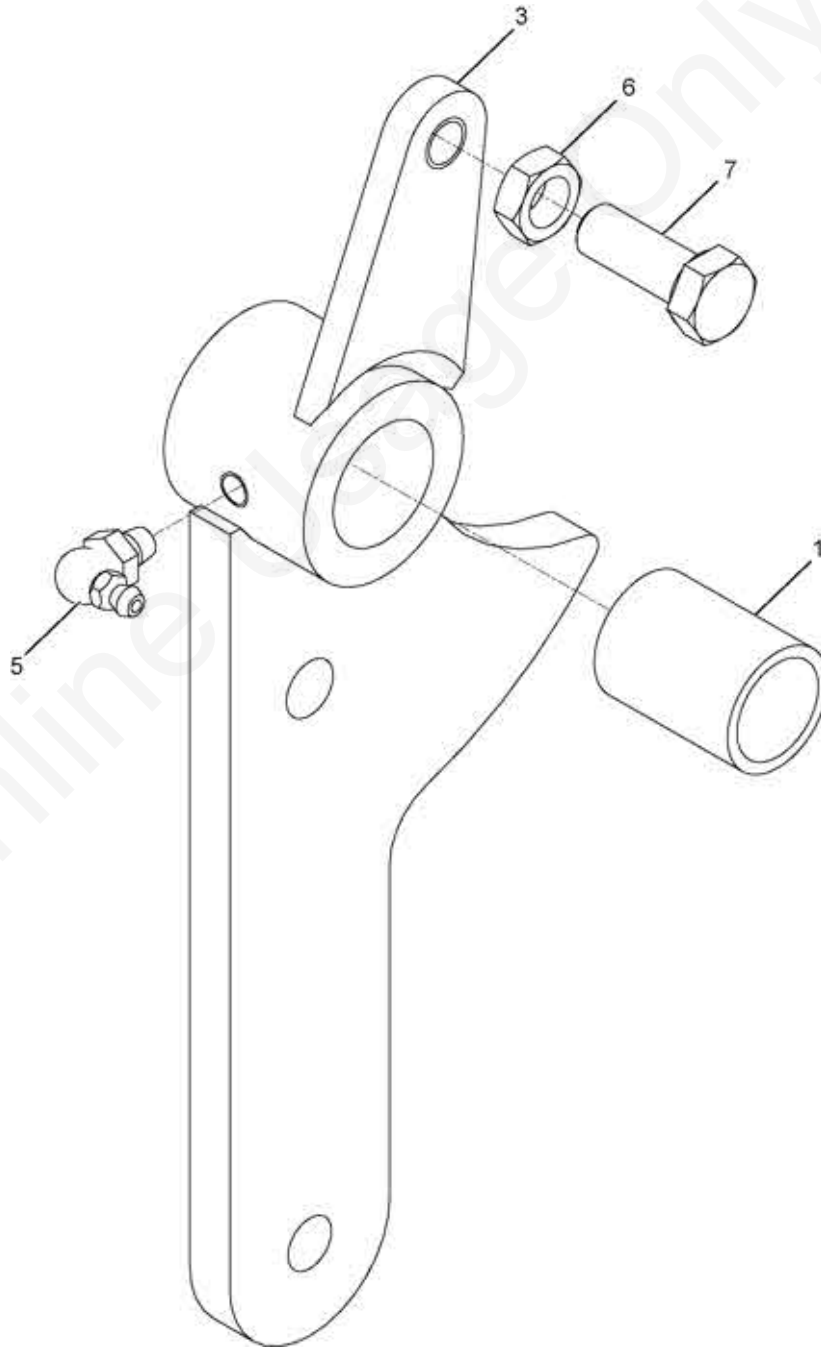


3. CONTROLS, ELECTRICAL
3.3.2 CONSOLE RIGHT HAND ASSY (81037044) Rev E

ESI R CONSOLE RECPT (81036291) Rev C				
Pos.	Part	BOM Qty.	Foot Note	Description
1	3503380	1		CLOSURE PLUG DOME BLACK F/HOLE .875"
2	5460500	2		HEX NUT 8-32UNC STEEL
3	5460750	2		HEX NUT #6-32 316 SLSS STL M
4	6184170	2		PHIL TMS 8-32UNC X 0.50 GR 1
5	6222930	1		ADHESIVE LOCTITE #242 50ML
6	7103190	2		L WASHER MEDIUM #8 ST B18.21.1
7	810091060	1		BUSHING OPEN/CLOSED
8	810226970	1		BATTERY BOX AA
9	81036292	1		BRACKET RIGHT CONSOLE RECEPTACLE
10	84018939	1		BRACKET CAN PROGRAMMING
11	81040009	2		SCREW THUMB .6-32
12	7121060801	2		SLOT PMS 2 X 12 4.8
13	7661060003	2		NUT HEX M2-0.4 8 ISO 4032
14	7951060210	2		L WASHER 2
15	A124622	1		BRACKET CABLE STRAIN RELIEF
16	A126600	2		STANDOFF M/F .31 HEX 0.44 LG
17	810230470	1		BATTERY 3.6V AA

ENU / 2022-08-25

LEVER (1770784) Rev A



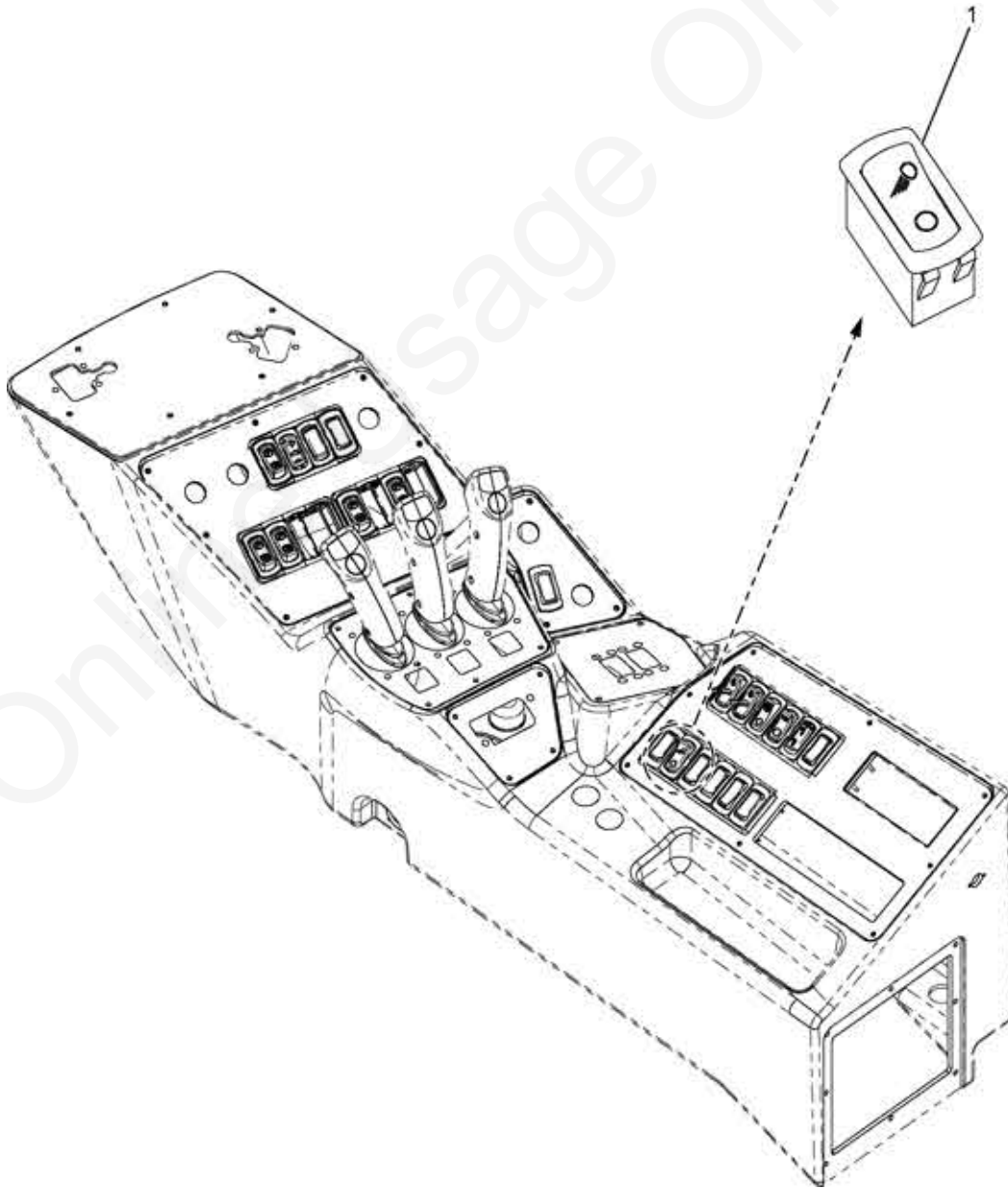
ENU / 2022-08-25

3.5.1 DISPLAY MONITOR ASSY CCTV 7" LED DDIN (810244000) Rev B

DISPLAY MONITOR ASSY CCTV 7" LED DDIN (810244000) Rev B				
Pos.	Part	BOM Qty.	Foot Note	Description
1	810243990	1		MONITOR, LED
2	810244020	1		CONNECTOR, ELECTRIC MALE BINDE

Online Usage Only

3.11 SWITCH ROCKER CAMERA LIGHTS CAB (810258181) Rev B

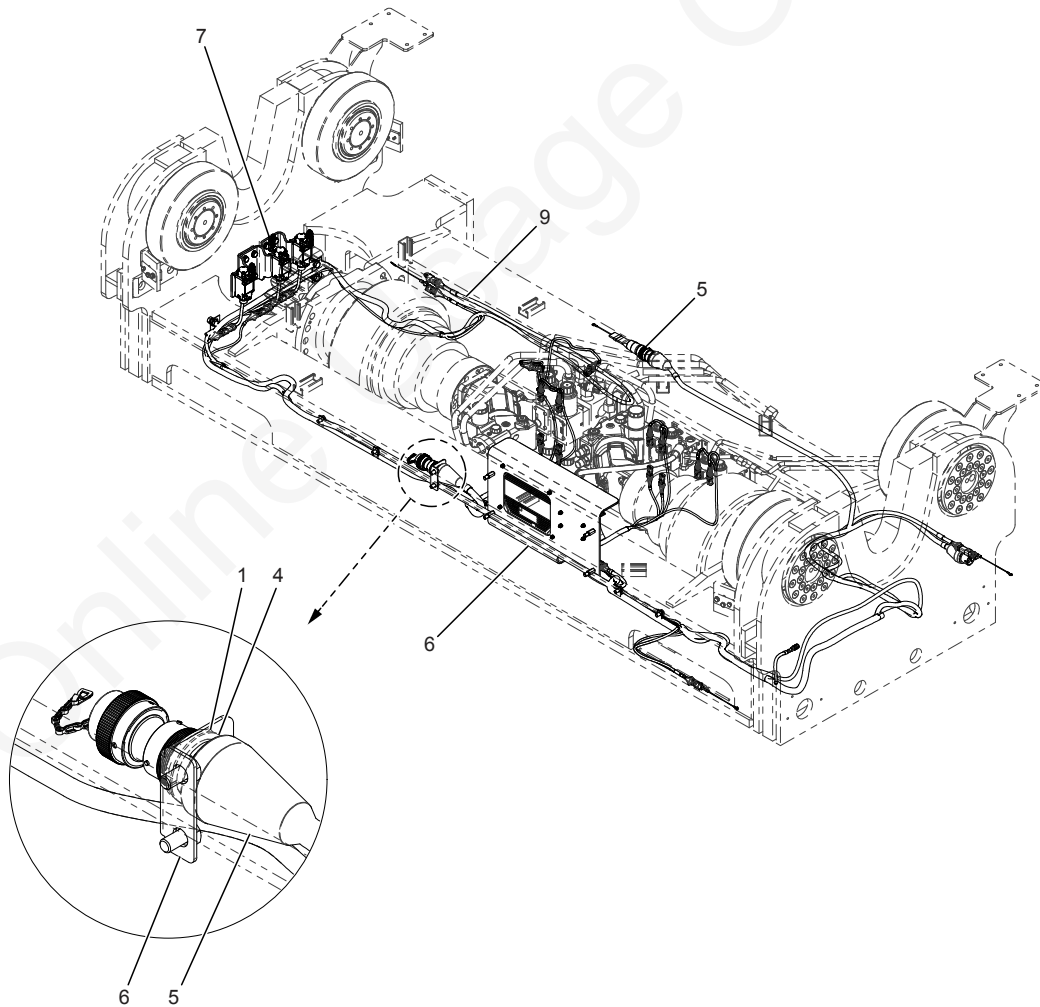


ENU / 2022-08-25

3. CONTROLS, ELECTRICAL
3.14 ESI BOOM BUTT (810259451) Rev E

ESI BOOM BUTT (810259451) Rev E				
Pos.	Part	BOM Qty.	Foot Note	Description
1	5469670	2		NUT PANEL 1.50-18UNEF-2B
3	7114320	2		LOCK WASHER 1.50 SPRING STEEL
5	810249050	1		WIRING HARNESS WBB2
11	810348300	1		ELEC CABLE WN13500T
12	810282512	1		BRACKET RECEPTACLE
13	810348280	1		WIRING HARNESS WBB1
14	810291390	1		SENSOR ANGLE MEMS 200 DEG
15	7126131153	4		HHCS 5 X 20.8.8 FULL THREAD
18	7126211453	2		HHCS M12X35 8.8 FLZN 4017
20	7661130003	4		HEX NUT 5 8 ISO 4032
23	7661210003	2		HEX NUT M12 8FLZN ISO4032
24	7951130014	8		F WASHER 5 ST ISO 7089
25	7951130210	4		L WASHER 5 ST DIN 7980
30	7951210210	2		L WASHER 12 ST DIN 7980
50	6670060	20	AU	STRAP NYLON CABLE TIE 4.0
51	6670070	35	AU	STRAP NYLON CABLE TIE 7.4
52	6670080	25	AU	STRAP NYLON CABLE TIE 17.5
AU = PART NOT SHOWN				

3.20 ESI VPC WIRING (810282121) Rev H



ENU / 2022-08-25

3. CONTROLS, ELECTRICAL
3.21 ESI RCL LIGHT (810282471) Rev G

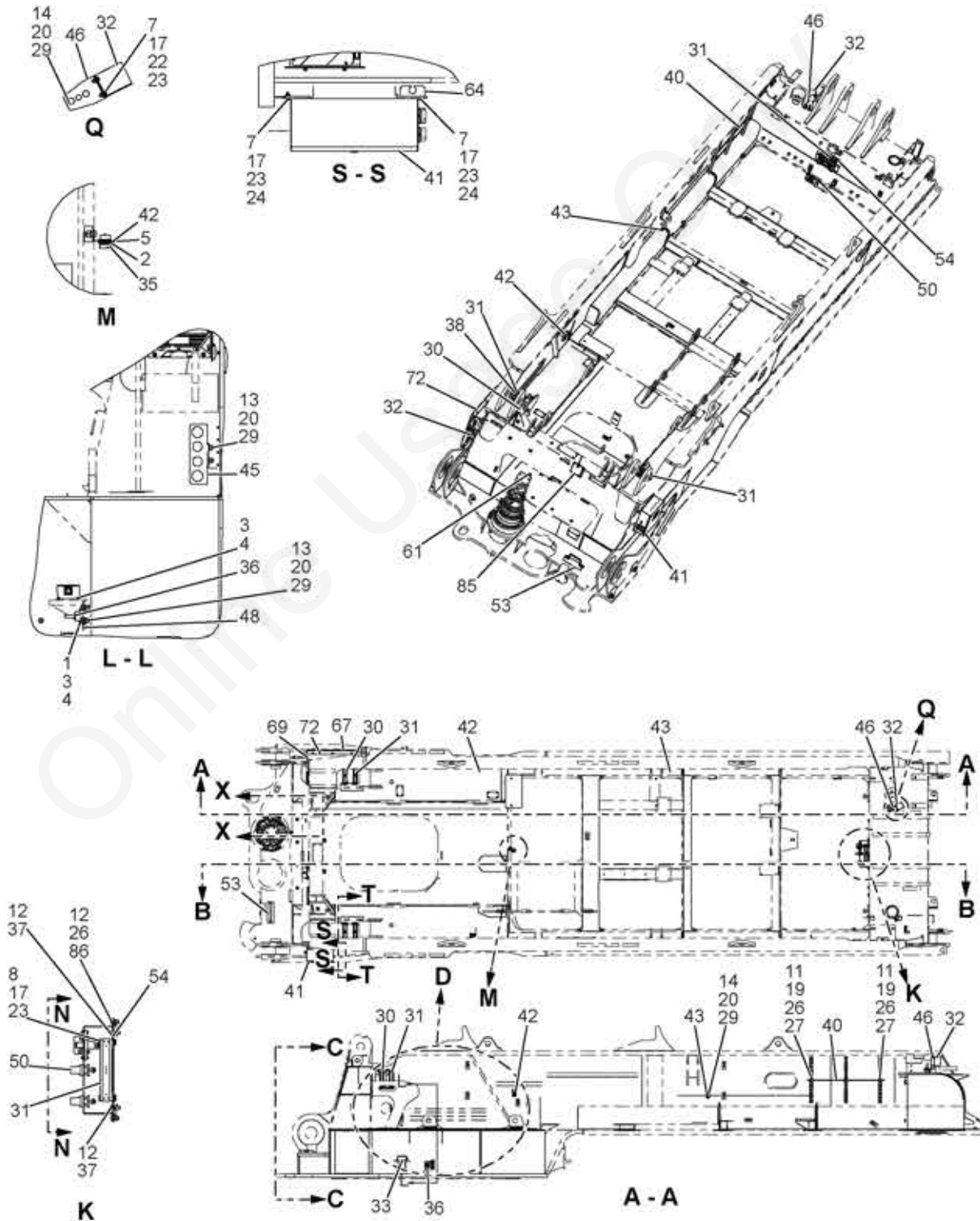
ESI RCL LIGHT (810282471) Rev G				
Pos.	Part	BOM Qty.	Foot Note	Description
1	4717170	1		CORD GRIP .50 NPT .25 - .375 CORD
2	5725230	2		PLUG SEALING SIZE 12&16
3	810070200	1 FT		TUBING POLYOLEFIN 4.1 SHRINK RATIO 1.2
4	810356270	1		ELEC CONNECTOR DT06-4S-CE13
5	81041059	1		LIGHTI RCL
6	810282462	1		BRACKET BEACON MOUNT
7	810283890	1		WIRING HARNESS WCE4
9	810290670	4		HHCS FULL THREAD 8-1.00 X 30 8.8
11	7826100004	4		WIRE TERMINAL SOCKET 16-20GA AU
12	7892000824	1		RECEPTACLE DT04-6P(W6P)
13	7951150010	2		F WASHER 6 ST ISO 7089
14	7951150210	1		L WASHER 6 FLZN DIN7980
15	7951170210	4		L WASHER 8 FLZN DIN7980
16	810190450	1		PLUG ELEC SEALING CAP ASSY
18	810134310	1		STRAP SS 10.2 CABLE TIE
19	81032427	1		BAR SHORT 44.0X25.4X6.35
20	7661150803	2		HEX LOCK NUT M6 8FLZN ISO7040
21	7126151453	1		HHCS M6X35 8.8 FLZN 4017
22	81035515	1		HANDLE CLAMPING M6X1 35MM

ENU / 2022-08-25

3. CONTROLS, ELECTRICAL

3.24.2 ESI MOUNTING ASSEMBLY (810328761) Rev F

3.24.2 ESI MOUNTING ASSEMBLY (810328761) Rev F

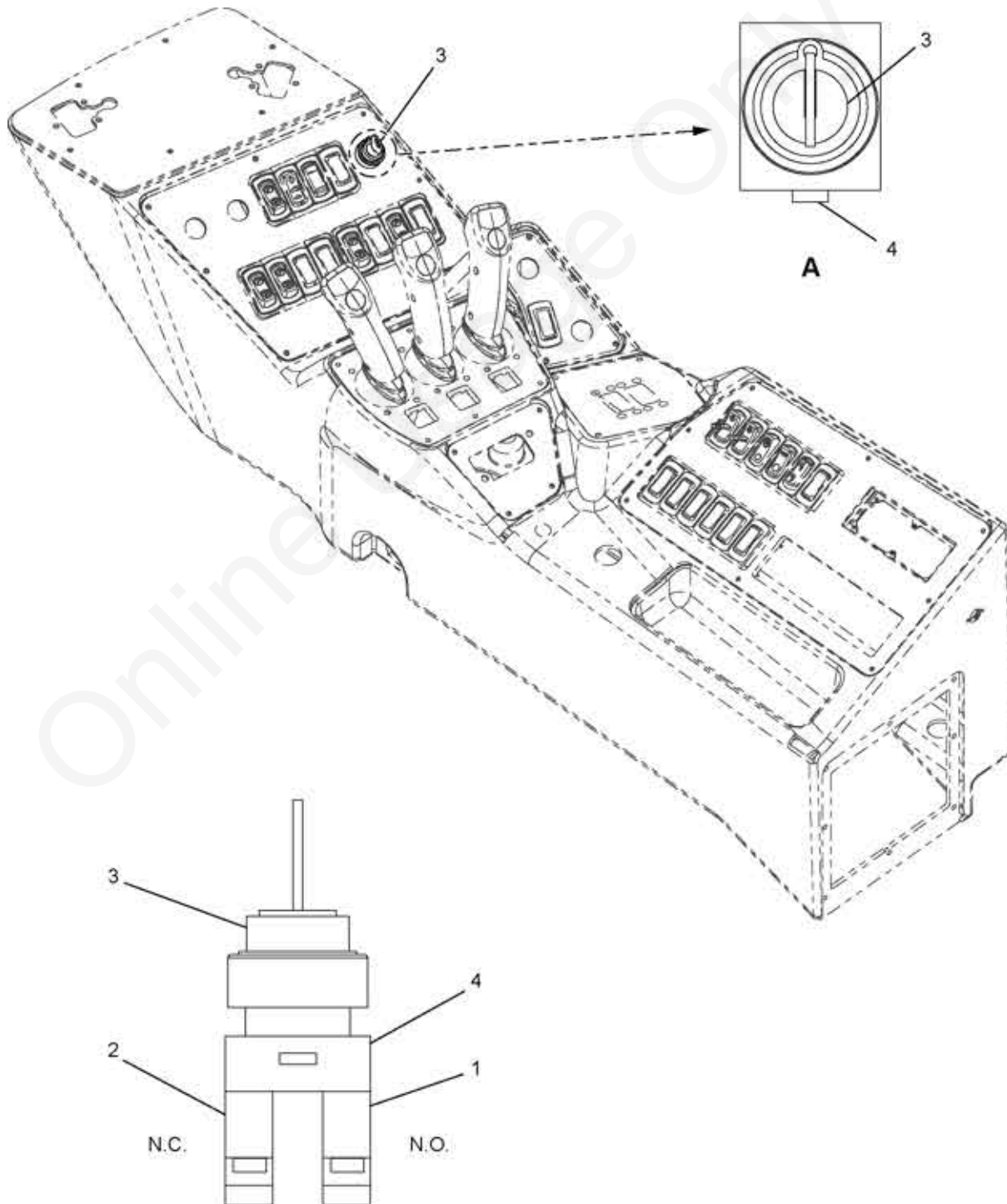


ENU / 2022-08-25

Online Usage Only

ENU / 2022-08-25

3.25 SWITCH AUX. POWER UNIT CAB (81037054) Rev B



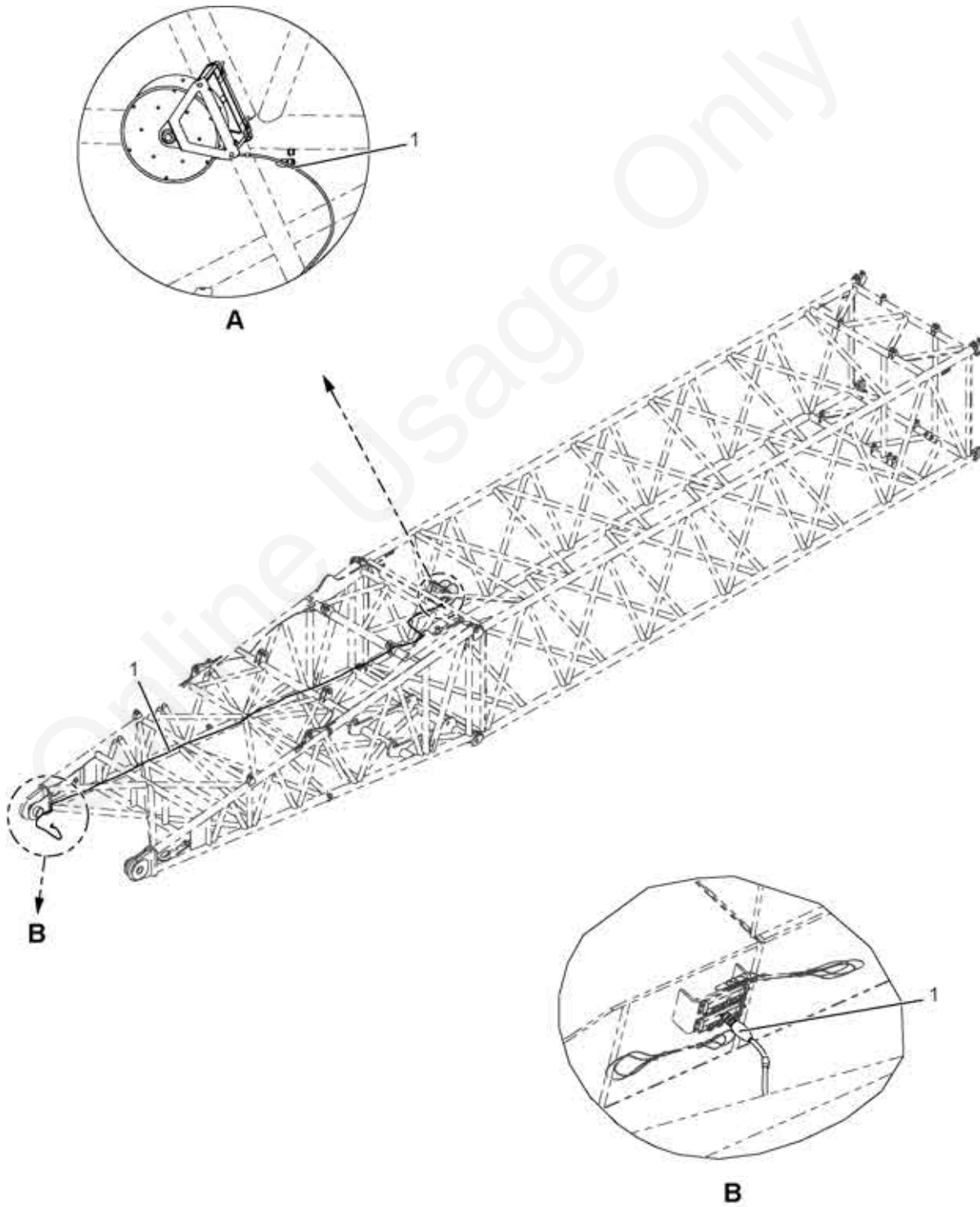
ENU / 2022-08-25

3. CONTROLS, ELECTRICAL
3.28 ESI 12M INSERT CCTV (81041734) Rev A

ESI 12M INSERT CCTV (81041734) Rev A				
Pos.	Part	BOM Qty.	Foot Note	Description
1	5911160	1		REEL CABLE FOR 350' OF 16/2 WIRE
2	81041735	1		ELEC CABLE WBR3 (CCTV)
3	7126191253	4		HHCS M10X25 8.8 FLZN 4017
4	7661190003	4		HEX NUT M10 8FLZN ISO4032
5	7951190014	4		F WASHER 10 200HV FLZN 7089

Online Usage Only

3.31 ESI BOOM TOP CAM PREP (81041916) Rev B



ENU / 2022-08-25

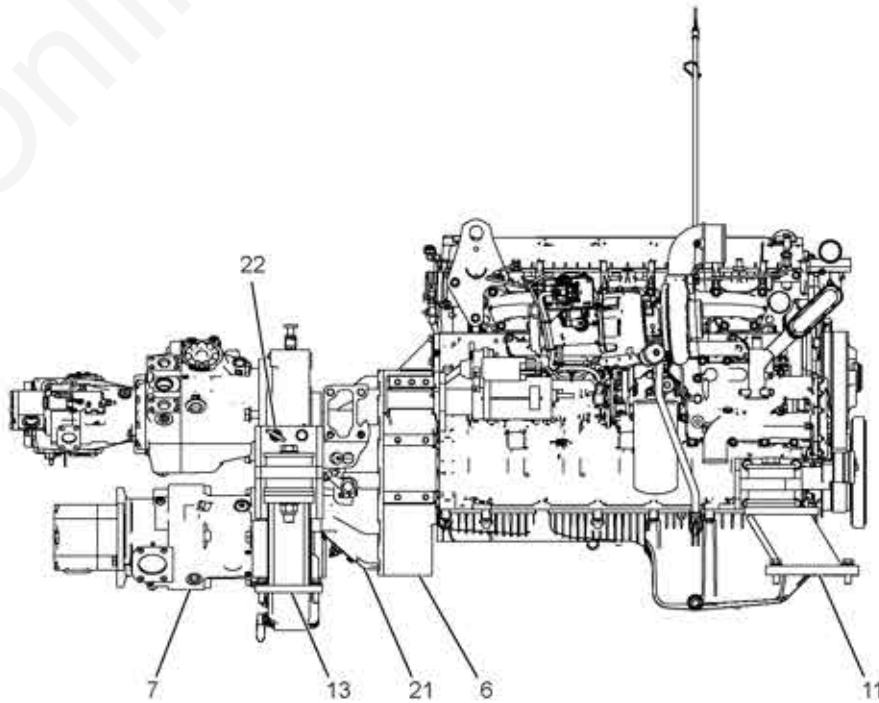
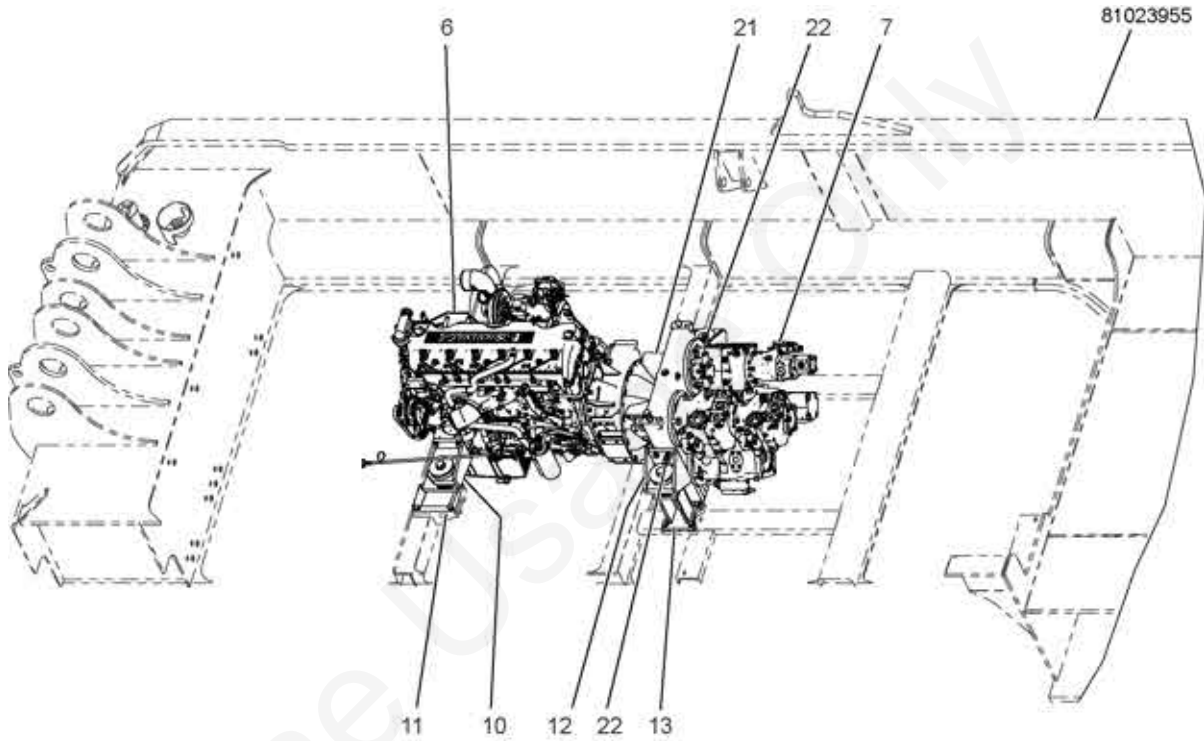
4. POWER PLANT
4.1.2 LANYARD ASSY PIN (810293652) Rev B

LANYARD ASSY PIN (810293652) Rev B				
Pos.	Part	BOM Qty.	Foot Note	Description
1	810070010	1 FT		WIRE ROPE 3/64 7X7 SS VC-1/16 CLEAR
2	810070020	2		SLEEVE 1/16 OVAL ALUMINUM
3	A126470	1		PIN SAFETY .38 DIA X 3.00 LG

Online Usage Only

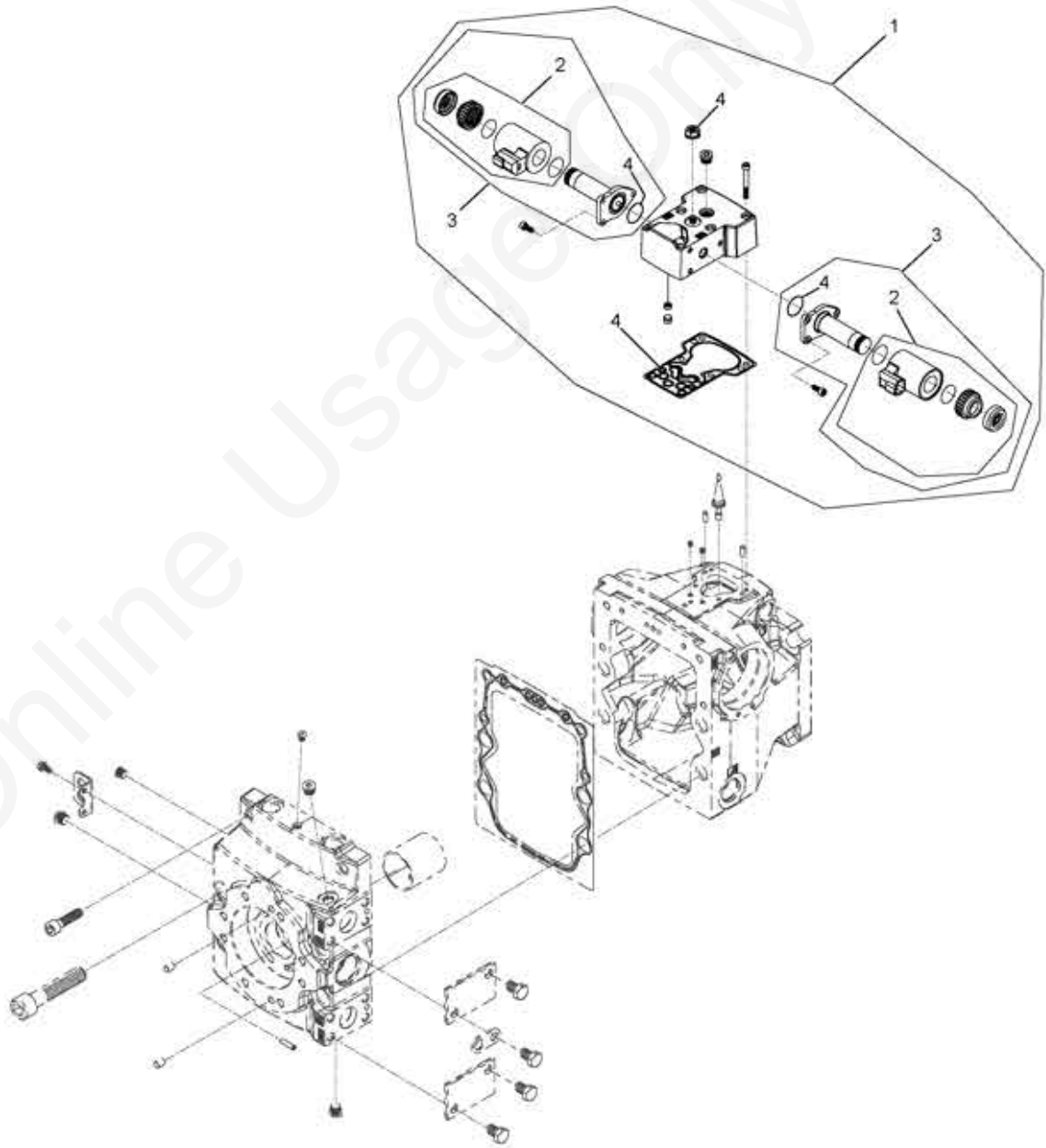
ENU / 2022-08-25

4.2 POWERTRAIN QSG12 TIER 4F (810239601) Rev E



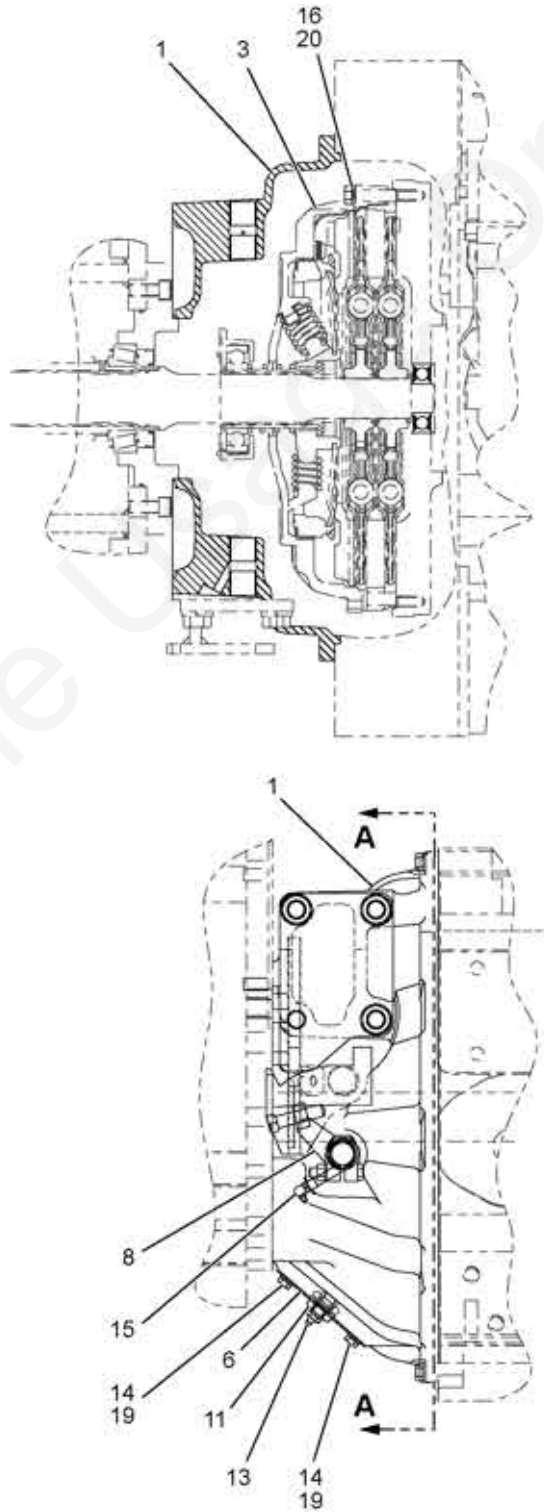
ENU / 2022-08-25

4. POWER PLANT
4.2.2 GEAR BOX ASSY 450 HP (810248891) Rev F



ENU / 2022-08-25

4.2.4 CLUTCH ASSY W/HOUSING AND GREASE PIPING (A097351) Rev FA



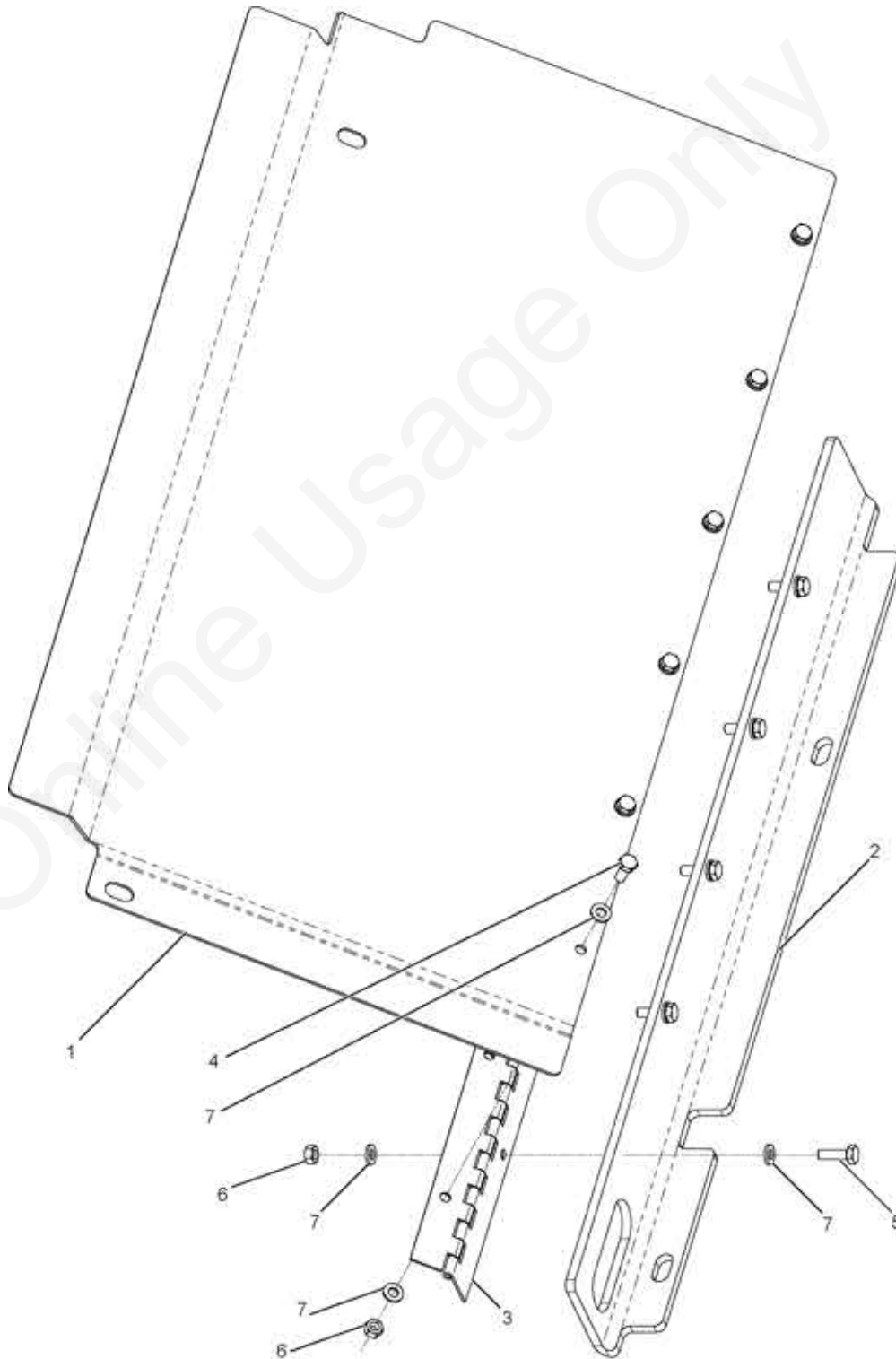
ENU / 2022-08-25

4. POWER PLANT
4.4.1 COVER AIR CLEANER ENCL (810333972) Rev E

COVER AIR CLEANER ENCL (810333972) Rev E				
Pos.	Part	BOM Qty.	Foot Note	Description
1	5483400	10		HEX LOCK NUT PA 10 -24UNC GR C
2	6175880	10		FMS SLOT 10-24UNC X 0.75 GR 1
3	7095020	10		F WASHER #10 ST SAE
4	810125342	1		LATCH ASSY LIFT & TURN COMPRESS
5	810286092	1		BRACKET AIR CLEANER
6	810333982	1		PANEL AIR CLEANER ENCL
7	810333992	1		HINGE 2.0WX.125PINX.06THK
8	84019907	1		TIMBER 38.1 X 88.9 X 616
9	7126191750	3		HHCS M10X50 8.8 FLZN 4014
10	7661190804	3		HEX LOCK NUT M10 10FLZN ISO7040
11	7951190014	6		F WASHER 10 200HV FLZN 7089
12	7661210804	1		HEX LOCK NUT M12 10FLZN ISO7040

Online Usage

4.5.3 PANEL ENCL ASSY COOLER BTM (810295592) Rev B



ENU / 2022-08-25

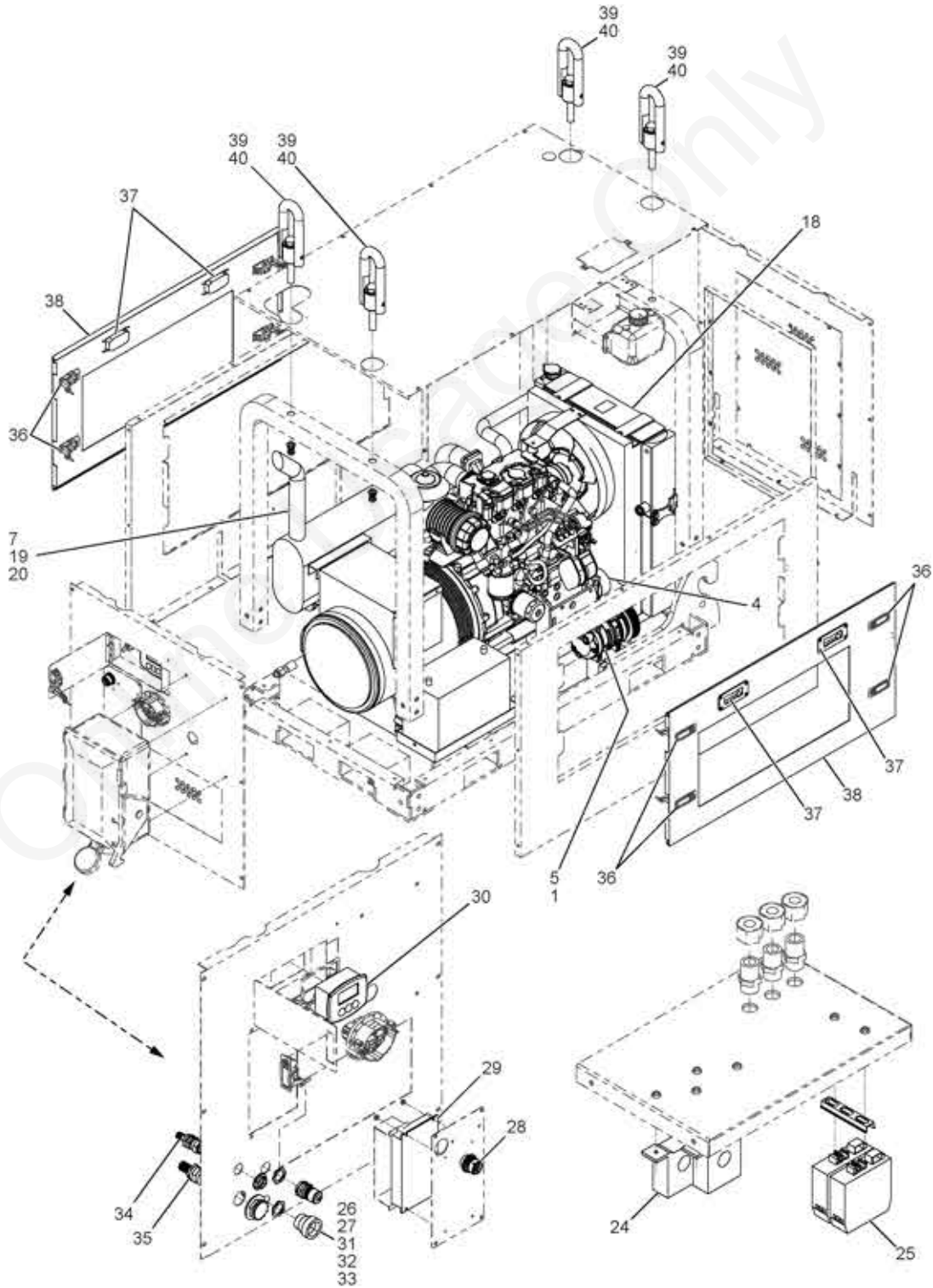
Online Usage Only

ENU / 2022-08-25

4. POWER PLANT

4.12.1 GENERATOR ASSY (81031997) Rev D

4.12.1 GENERATOR ASSY (81031997) Rev D



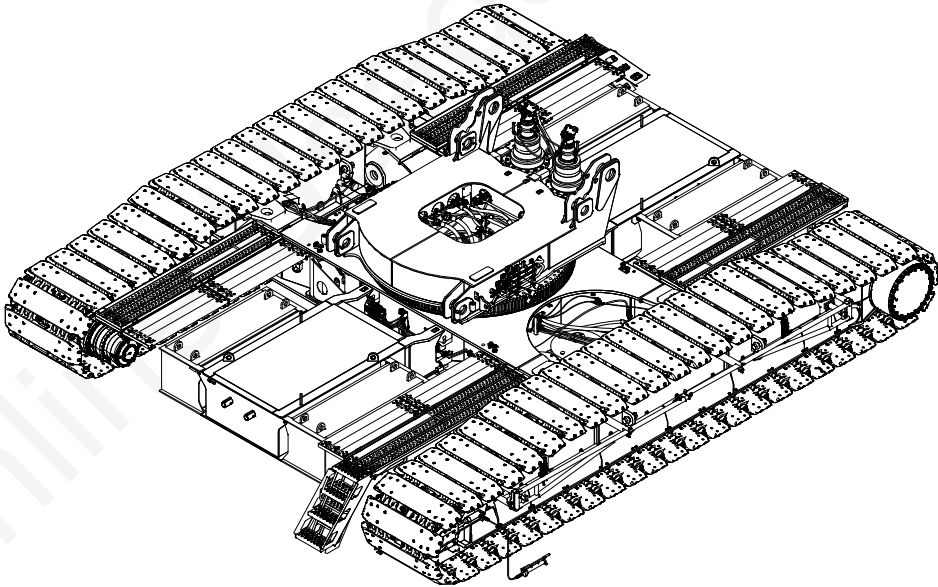
ENU / 2022-08-25

4. POWER PLANT
4.13.3 FUEL CIRCUIT APU (81037293) Rev D

FUEL CIRCUIT APU (81037293) Rev D				
Pos.	Part	BOM Qty.	Foot Note	Description
3	6670060	4	AU	STRAP NYLON CABLE TIE 4.0
6	81036803	1		Q DISCON FITTING HYD COUPLER 12 ORB-12
16	7567601078	1		HOSE ASSY CODED 0.75 ID X 078 LG
17	7567601078	1		HOSE ASSY CODED 0.75 ID X 078 LG
19	81039797	1		DUST PLUG QD 12
20	810186900	1		NAMEPLATE ID TAG ROUND #090
21	810186910	1		NAMEPLATE ID TAG ROUND #091
22	810293140	2		FITTING STRAIGHT -12 ORFS X -12 ORB
23	81036804	1		Q DISCON FITTING HYD NIPPLE 12 ORB -12
24	81041451	1		CAP DUST QD -12
AU = PART NOT SHOWN				

Online Usage

5 LOWERWORKS

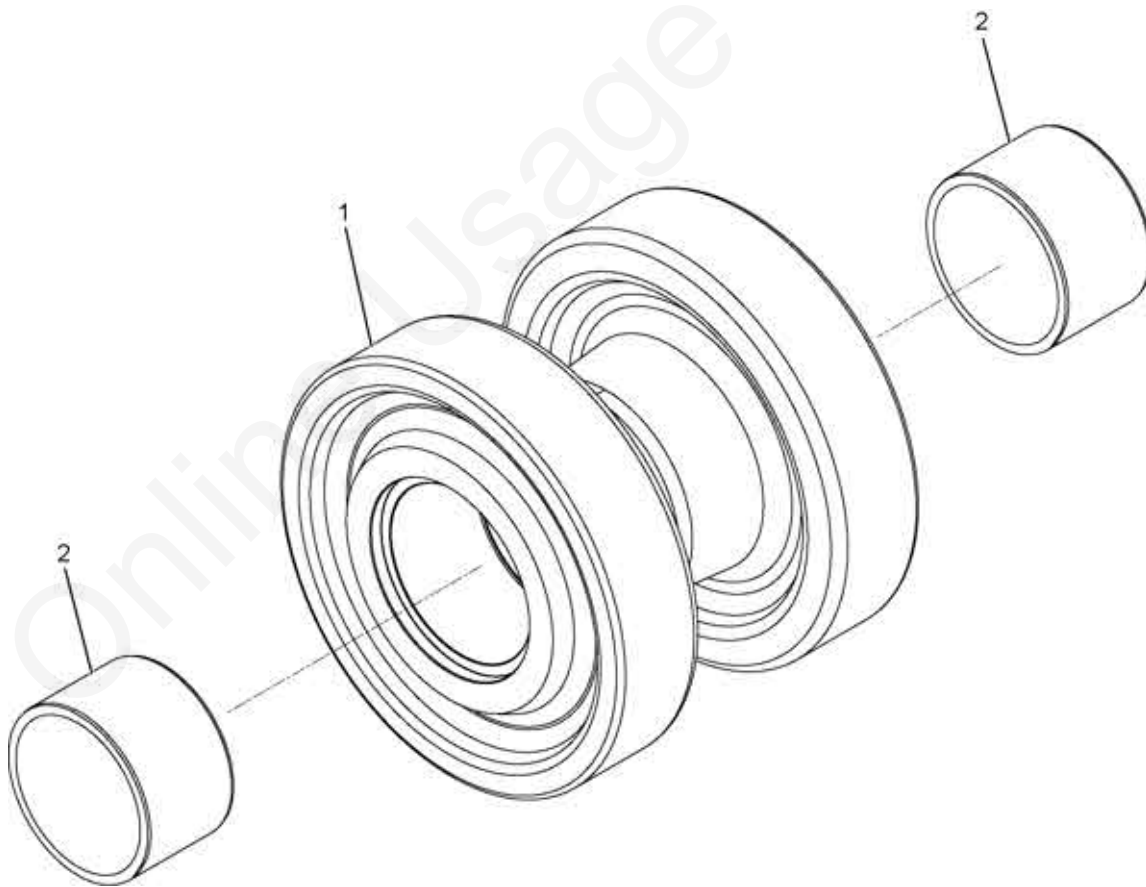


ENU / 2022-08-25

5.4 PLATFORM ASSY |CARBODY (810269911) Rev E

PLATFORM ASSY CARBODY (810269911) Rev E				
Pos.	Part	BOM Qty.	Foot Note	Description
1	5637970	2		PIN QUICK RELEASE 3/4 X 3-3/4
2	5636370	4		PIN QUICK RELEASE .50 DIA X 3.00 LG
3	810141040	4		PIN COTTER HAIR .080 DIA X 1.19 LG
7	810302572	1		PLATFORM WELDMENT CARBODY
8	810303162	2		BRACKET PLATFORM
10	810303622	1		BAR RD .375 (IN)
11	810304722	1		PLATE .25 (IN)
12	7127191453	2		HHCS M10X35 10.9 FLZN4017
13	7126211453	1		HHCS M12X35 8.8 FLZN 4017
14	7126211853	2		HHCS M12X55 8.8 FLZN 4017
15	7127192050	4		SCR CP HX HD M10 -1.5 X 65 ZC
16	7127192653	1		SCR CAP HEX H D M10-1.5 X 100 10.9 PLN
17	7661190804	7		HEX LOCK NUT M10 10FLZN ISO7040
18	7661210003	4		HEX NUT M12 8FLZN ISO4032
19	7661211104	1		HEX LOCK NUT
20	7951190014	25		F WASHER 10 200HV FLZN 7089
21	810306490	1		PLATFORM WELDMENT CARBODY
22	0103059	2		PIN 2 HOLE 0 .750 DIA X 3.41 LG
23	5620850	4		PIN COTTER 3/16 DIA X 1.50 LG

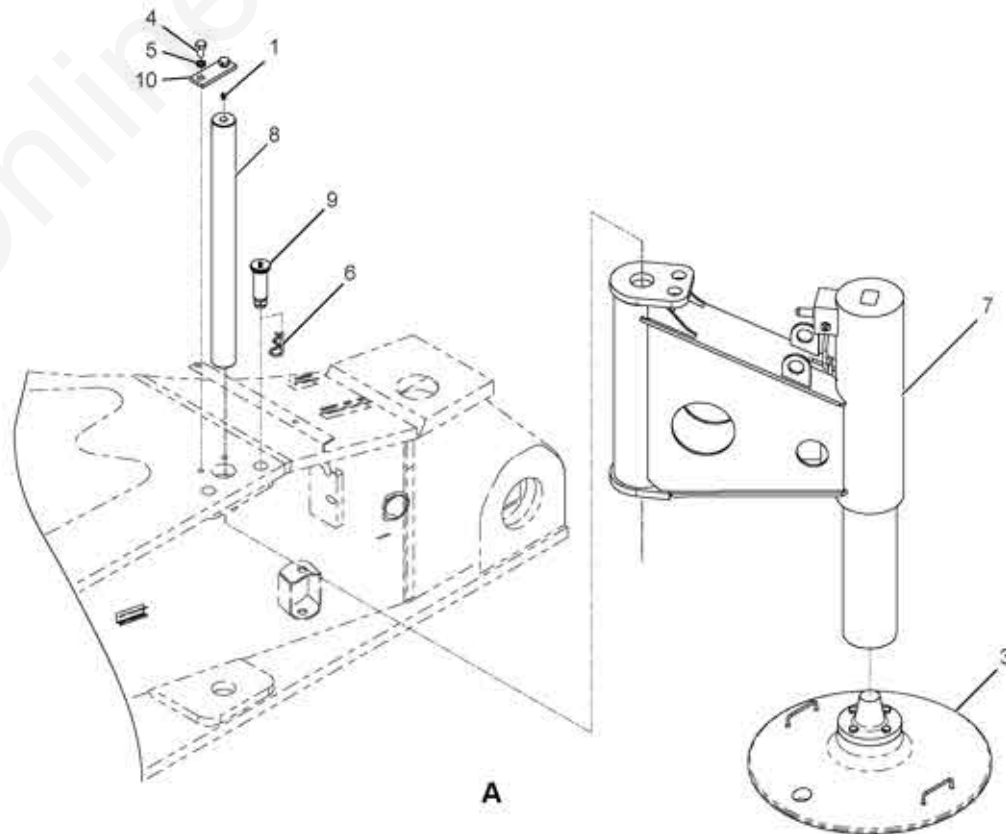
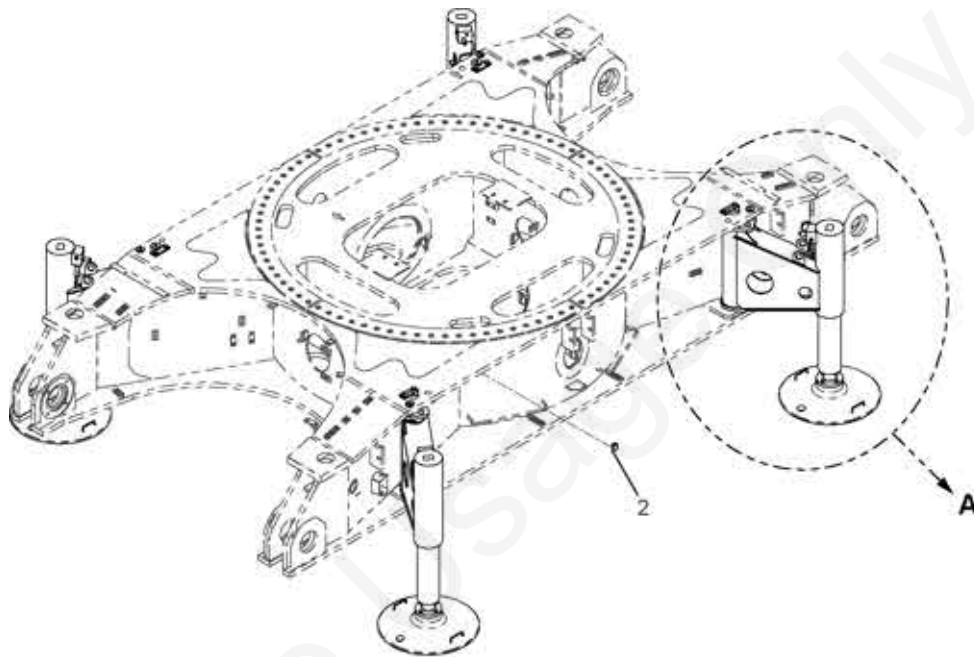
5.7.2 ROLLER ASSY CRAWLER INTER (810240480) Rev B



5. LOWERWORKS
5.9 CRAWLER GREASE PIPING ASSY (810339119) Rev B

CRAWLER GREASE PIPING ASSY (810339119) Rev B				
Pos.	Part	BOM Qty.	Foot Note	Description
41	810269280	1		TUBE NYLON .25OD X 0.05W X11 LG
42	810269280	1		TUBE NYLON .25OD X 0.05W X11 LG
43	810269280	1		TUBE NYLON .25OD X 0.05W X11 LG
44	810269280	1		TUBE NYLON .25OD X 0.05W X11 LG
45	810269280	1		TUBE NYLON .25OD X 0.05W X11 LG
46	810269280	1		TUBE NYLON .25OD X 0.05W X11 LG
47	810269280	1		TUBE NYLON .25OD X 0.05W X11 LG
48	810269280	1		TUBE NYLON .25OD X 0.05W X11 LG
49	810269280	1		TUBE NYLON .25OD X 0.05W X11 LG
50	810269280	1		TUBE NYLON .25OD X 0.05W X11 LG
51	810269320	1		TUBE NYLON .25OD X 0.05W X 93 LG
52	810269320	1		TUBE NYLON .25OD X 0.05W X 93 LG
53	810302962	1		TUBE PREFORMED .75 OD X .065W DOM 1020
54	810316032	1		COVER WELDMENT GREASE PUMP
55	810338420	1		HOSE ASSY .125 ID X 24.0 LG
56	810340010	1		HOSE ASSY .125 ID X 80.0 LG
57	810340030	1		HOSE ASSY .125 ID X 220.0 LG
58	810349820 → page 5-43	1		VALVE ASSY 12 BANK .125 NPTF
59	7126151653	8		HHCS M6X45 8.8 FLZN 4017
60	7126171353	4		HHCS M8X30 8.8 FLZN 4017
61	7661170803	4		HEXAGON LOCK NUT
62	7951170014	4		F WASHER 8 200HV FLZN ISO7089
63	7661150803	8		HEX LOCK NUT M6 8FLZN ISO7040

5.10 JACK CYL ASSY LOWERWORKS (810279721) Rev A



ENU / 2022-08-25

6. ATTACHMENTS
6.1 ESI FIX JIB WIRING (81027175) Rev A

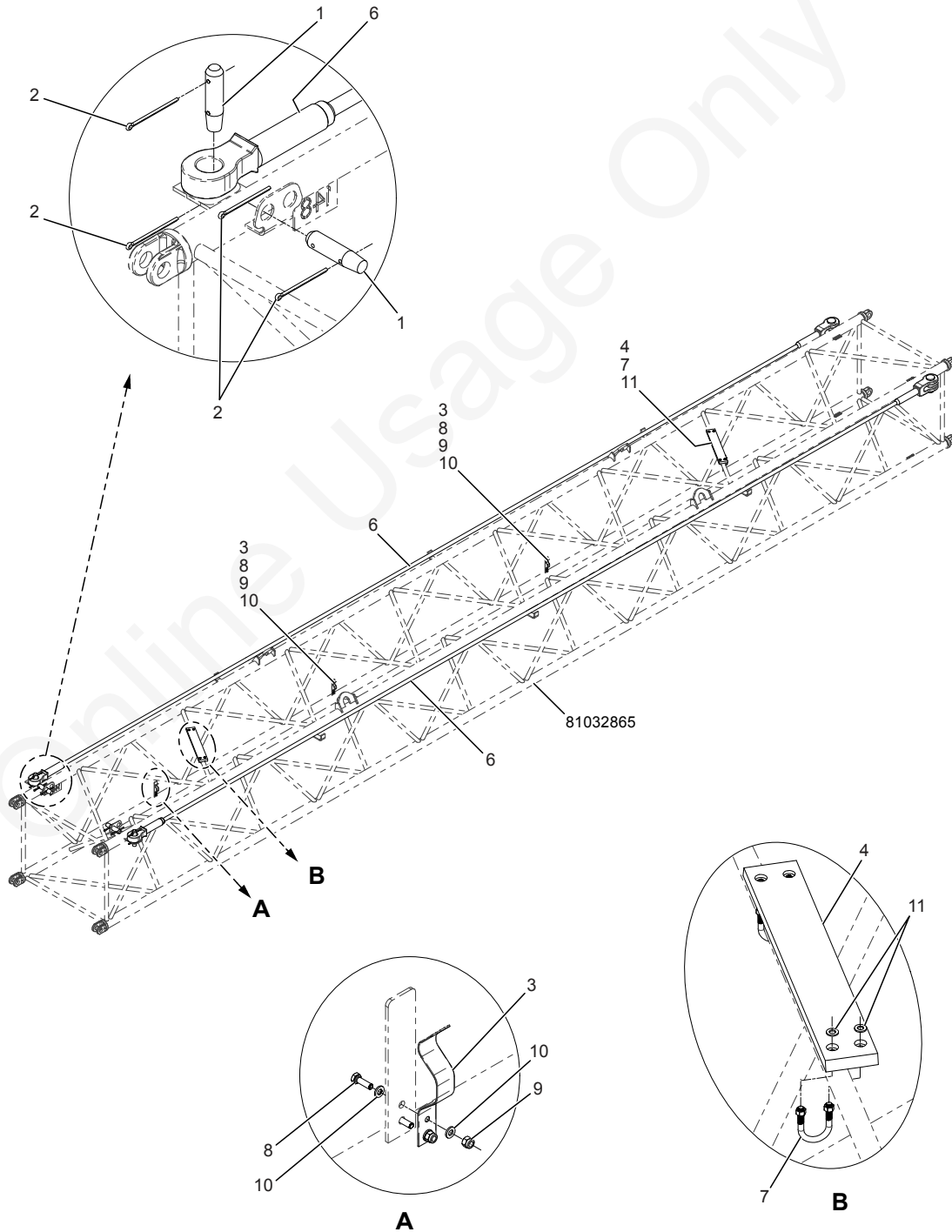
ESI FIX JIB WIRING (81027175) Rev A				
Pos.	Part	BOM Qty.	Foot Note	Description
1	5469560	1		NUT PANEL 1.69-18 UNEF-2B
2	6670070	40	AU	STRAP NYLON CABLE TIE 7.4
3	6670080	11	AU	STRAP NYLON CABLE TIE 17.5
4	7114330	1		WASHER LOCK 1.70
5	81027176 → page 6-7	1		ESI FIX JIB TOP MOUNTING
6	81027954	1		WIRING HARNESS WZT1
AU = PART NOT SHOWN				

ENU / 2022-08-25

6. ATTACHMENTS

6.3 INSERT ASSY #148, 12.00M (81032985) Rev A

6.3 INSERT ASSY #148, 12.00M (81032985) Rev A



ENU / 2022-08-25

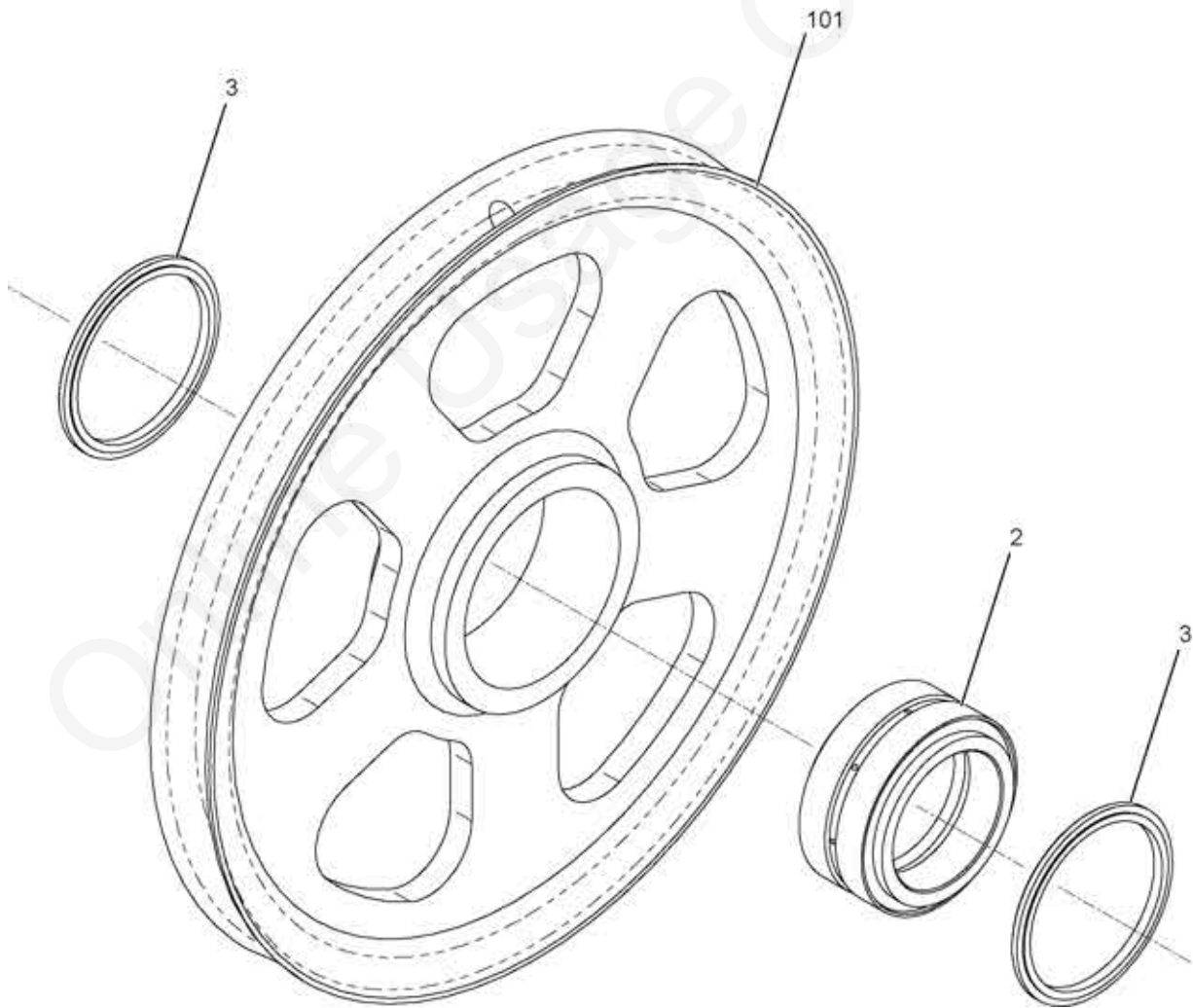
6.5.1 STRUT ASSY #148 JIB 6.4M (81023843) Rev C

STRUT ASSY #148 JIB 6.4M (81023843) Rev C				
Pos.	Part	BOM Qty.	Foot Note	Description
1	2852200	2		RUBBER BUMPER 2.5"X6.75"X1.25"THK
2	5460540	4		HEX NUT 3/8-16UNC GR 5
3	6124560	4		HHCS 3/8-16UNC X 1.25 GR
4	7103040	4		LOCK WASHER 3/8 ST B18.21.1
7	81037229	1		TIMBER 100.0 X 139.7 X 580.0
8	7126191450	4		HHCS 10 X 35 8.8
9	7661190803	4		HEXAGON LOCK NUT
10	7951190014	8		F WASHER 10 200HV FLZN 7089
11	810282382	4		SNAPPER PIN .38 DIA X 3.00 LG

6. ATTACHMENTS

6.6.1 SHEAVE ASSY 30.00 1.25WR FORGED (810338461) Rev A

6.6.1 SHEAVE ASSY 30.00 1.25WR FORGED (810338461) Rev A



ENU / 2022-08-25

6. ATTACHMENTS

6.10.1 CYL HYD 6.00 BORE X 60.00 STROKE (A055540) Rev A

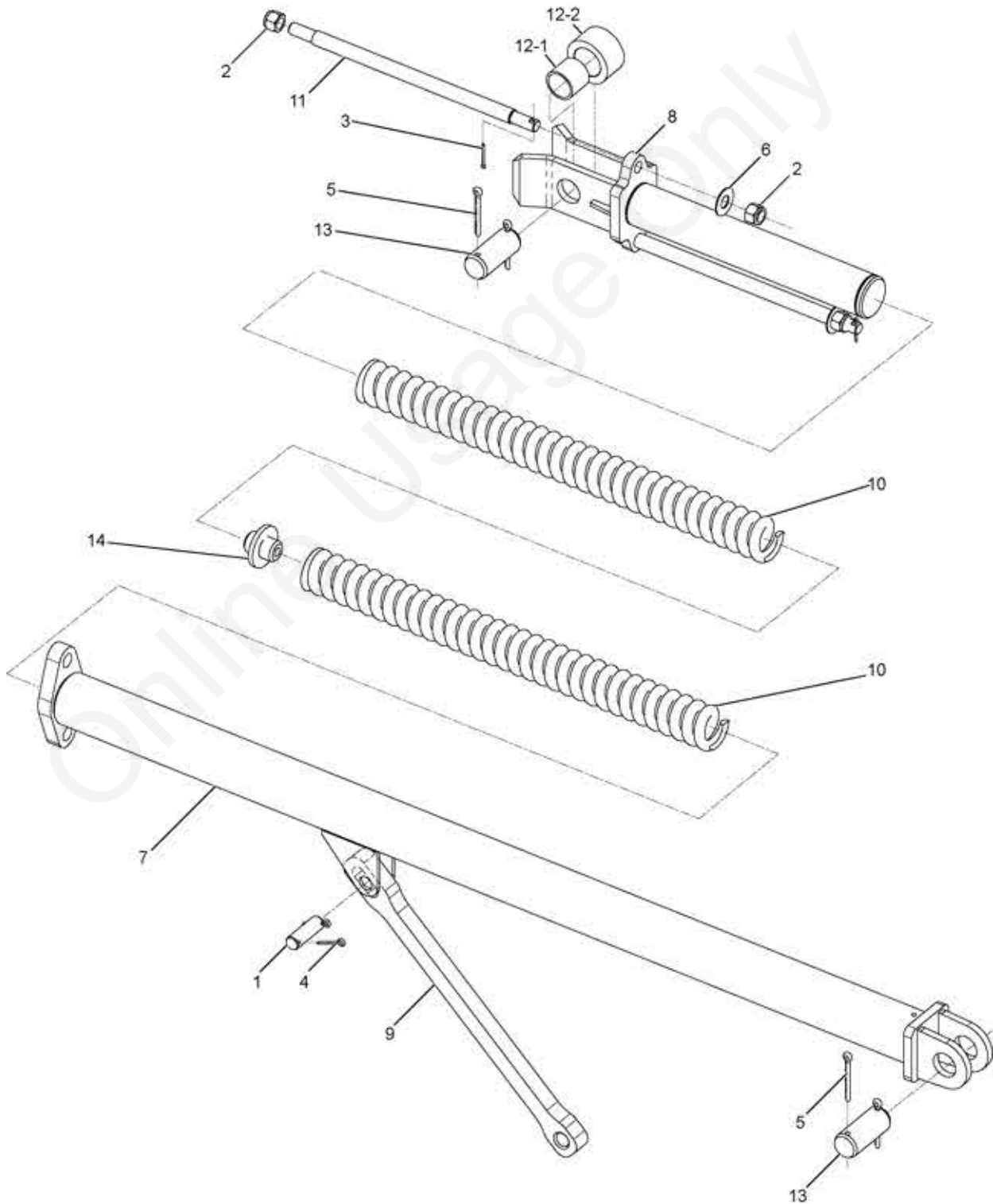
CYL HYD 6.00 BORE X 60.00 STROKE (A055540) Rev A				
Pos.	Part	BOM Qty.	Foot Note	Description
1	9372220297	1		WIPER, ROD
2	9372220298	1		U-CUP
3	9372220299	1		RING, WEAR (HEAD)
4	9372220300	1		RING, BACK-UP
5	9372220301	1		O-RING
6	9372220303	1		O-RING
7	9372220304	1		GUIDE, PISTON
8	9372220305	1		SEAL, CAPPED T
9	9372220306	1		PLUG (SAE 8)
10	3855566	2		CARTRIDGE VALVE SUN
10-1	3854394	2		SEAL KIT
11	9372220009	4		PLUG CYLINDER
12	9372220307	1		NUT, STOVER
13	9372220308	1		RING, BUFFER
14	9372220309	1		RING, BACK-UP
15	9372220310	2		RING, BACK-UP
16	9372220311	1		WEAR RING (HEAD)
17	9372220131	2		FITTING, GREASE
18	9372220265	2		PLUG (1/8"NPT)
19	9372220311	2		WEAR RING (HEAD)
20	9372220147	2		PLUG (SAE 2)
21	9372220148	2		PLATE, ORFICE
22	9372220163	1		PLUG (SAE-6)
23	9372220314	4		PLUG
24	A055545	1	AU	SEAL KIT
24-1	9372220297	1		WIPER, ROD
24-2	9372220298	1		U-CUP
24-3	9372220299	1		RING, WEAR (HEAD)
24-4	9372220300	1		RING, BACK-UP
24-5	9372220301	1		O-RING
24-6	9372220303	1		O-RING
24-7	9372220304	1		GUIDE, PISTON
24-8	9372220305	1		SEAL, CAPPED T
24-9	9372220308	1		RING, BUFFER
24-10	9372220309	1		RING, BACK-UP
24-11	9372220310	2		RING, BACK-UP
24-12	9372220311	1		WEAR RING (HEAD)
AU = PART NOT SHOWN				

ENU / 2022-08-25

6. ATTACHMENTS

6.12 BOOM STOP ASSY #500 (810256531) Rev A

6.12 BOOM STOP ASSY #500 (810256531) Rev A



ENU / 2022-08-25

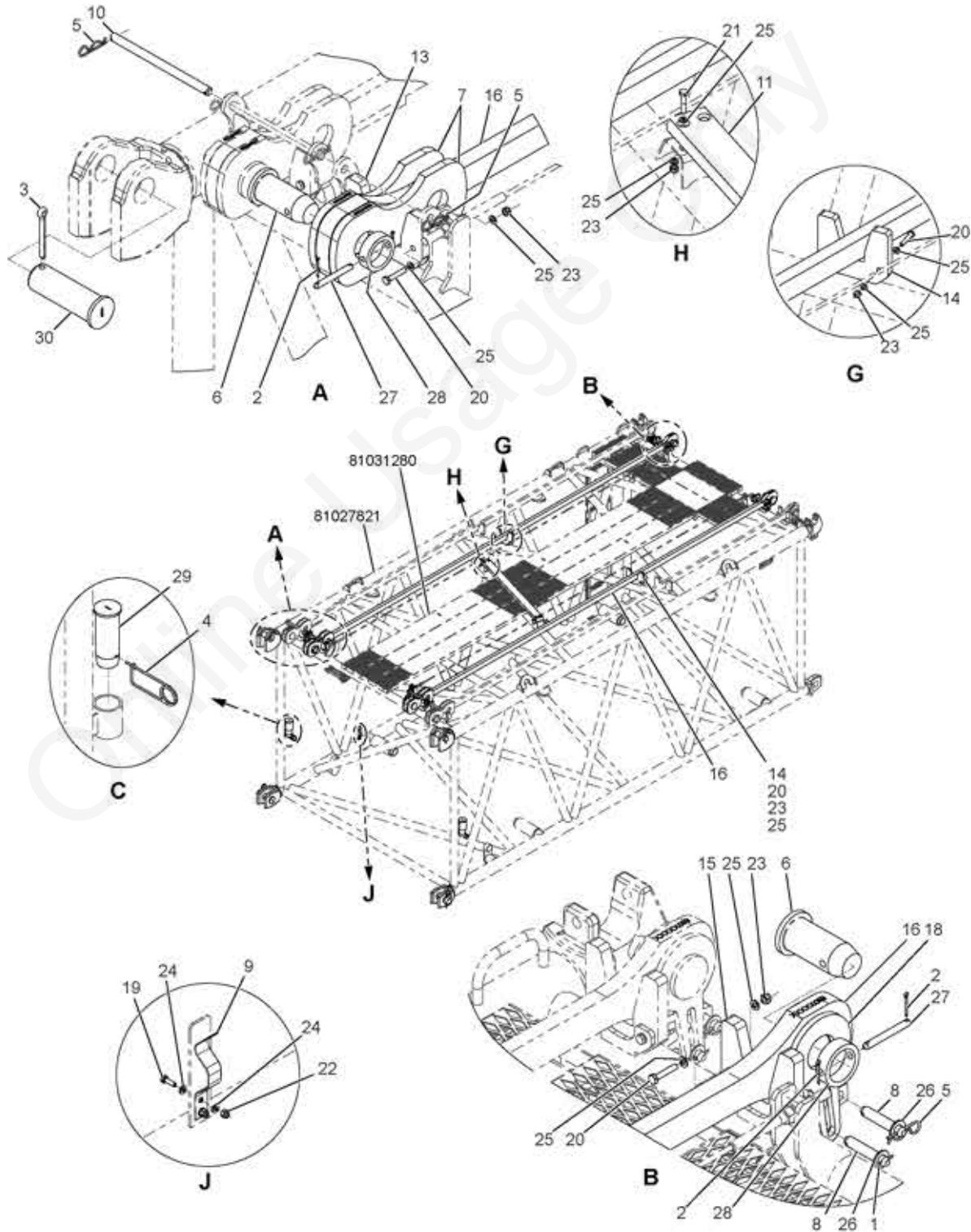
6.15.2 SHEAVE SPEED SENSOR PREP (810315121) Rev A

SHEAVE SPEED SENSOR PREP (810315121) Rev A				
Pos.	Part	BOM Qty.	Foot Note	Description
1	810314872	1		PLATE SPEED SENSING
2	810315112	1		SHEAVE WIRE ROPE MACHINING
3	7126172053	4		HHCS M8X65 8.8 FLZN 4017
4	7661170003	4		HEXAGON NUT
5	7951170220	4		L WASHER 8 FLZN DIN127B

6. ATTACHMENTS

6.20 INSERT ASSY 6M #500 (810278201) Rev B

6.20 INSERT ASSY 6M #500 (810278201) Rev B



ENU / 2022-08-25

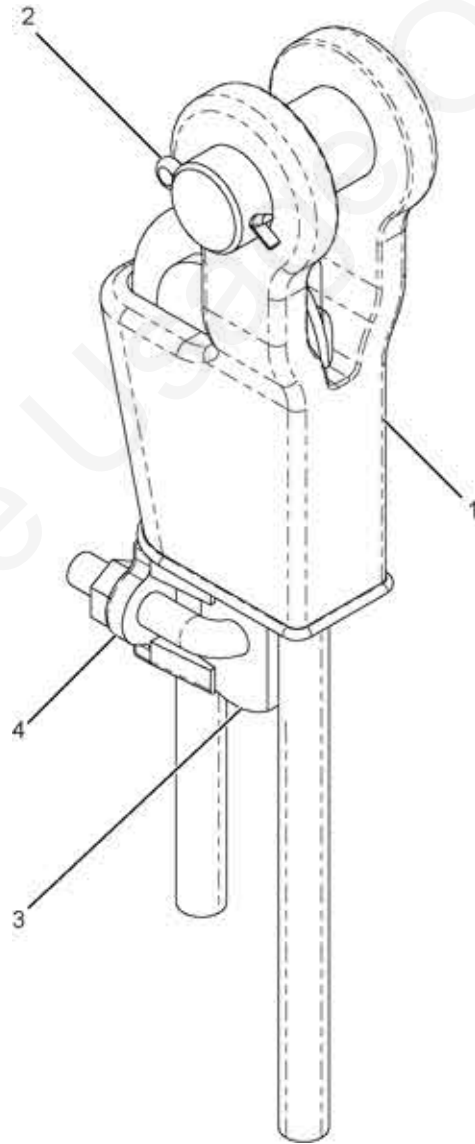
6.23.1 SHEAVE ASSY 28MM DIA (810258190) Rev A

SHEAVE ASSY 28MM DIA (810258190) Rev A				
Pos.	Part	BOM Qty.	Foot Note	Description
1	2250650	1		CYL ROLLER BRG 7.87 X 5.12 X 3.74
2	810258200	1		SHEAVE 609.6 28 NYLON
3	810258210	1		SLEEVE 199.92 88.9

6. ATTACHMENTS

6.27.1 SOCKET/WEDGE ASSY 1.00" (6462460) Rev C

6.27.1 SOCKET/WEDGE ASSY 1.00" (6462460) Rev C



ENU / 2022-08-25

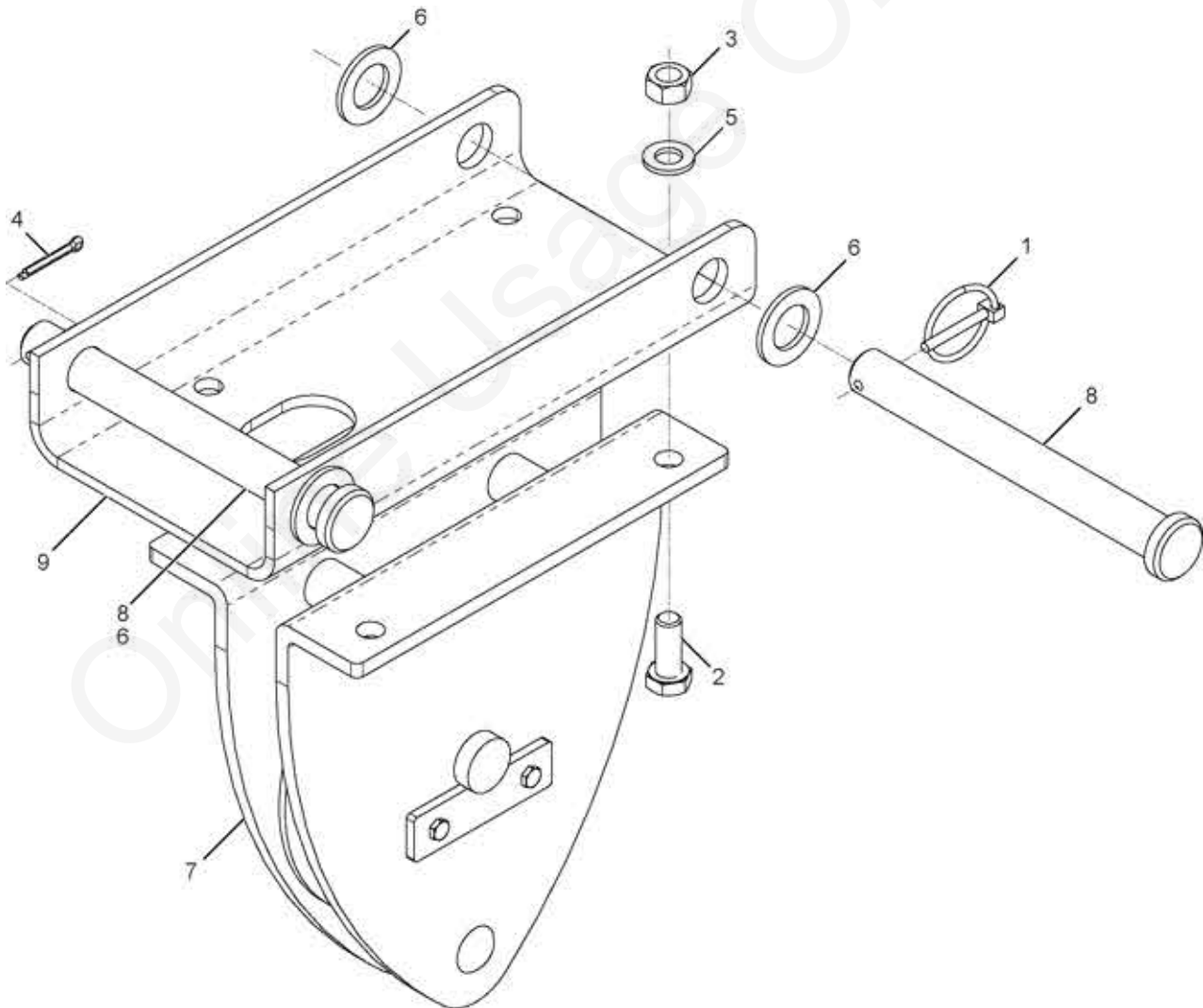
6.31 CATWALK ASSY #500 8.00M BUTT (810295781) Rev C

CATWALK ASSY #500 8.00M BUTT (810295781) Rev C				
Pos.	Part	BOM Qty.	Foot Note	Description
1	81016691	23		F WASHER GRIP STRUT DIAMOND PATTERN
2	810298372	1		CATWALK 965 MM X 2181 MM
3	810298382	2		CATWALK 965 MM X 2438 MM
4	810298392	1		CATWALK 965 MM X 1693 MM
5	810298402	1		CATWALK 241 MM X 1438 MM
6	810298412	1		CATWALK 241 MM X 409 MM
7	81037037	1		CATWALK 241.3 X 266.4
8	810302432	1		CATWALK 483 MM X 1124 MM
9	7114153664	23		C BOLT SQ GR 4 5/16-18UNC X 4.50
10	7660152500	23		HEX LOCK NUT PA 5/16-18UNC SS
11	7950150141	23		F WASHER 5/16 ST B18.21.1 NARROW
12	810301722	1		LADDER 371 MM X 2064 MM
13	7126191450	4		HHCS 10 X 35 8.8
14	7661190803	4		HEXAGON LOCK NUT
15	7951190014	8		F WASHER 10 200HV FLZN 7089

6. ATTACHMENTS

6.35.1 SHEAVE ASSY RIGGING WINCH (A120121) Rev C

6.35.1 SHEAVE ASSY RIGGING WINCH (A120121) Rev C



ENU / 2022-08-25

6.39.1 SHEAVE ASSY #500 DEAD END (84028414) Rev A

SHEAVE ASSY #500 DEAD END (84028414) Rev A				
Pos.	Part	BOM Qty.	Foot Note	Description
1	1706622	1		SHAFT 5.000X1.370X10.94
2	1715872	1		NUT
3	81026861X	2		SHEAVE WIRE ROPE ASSY 1.125
4	810289324 → page 6-139	1		LINK DEAD END ASSY
5	84028419	2		SLEEVE 200.0 OD X 127.1 ID

6. ATTACHMENTS

6.43 KIT SELF ASSY RIGGING (81038439) Rev C

6.43 KIT SELF ASSY RIGGING (81038439) Rev C

KIT SELF ASSY RIGGING (81038439) Rev C				
Pos.	Part	BOM Qty.	Foot Note	Description
1	6247590	4		SHACKLE ANCHOR BOLT TYPE 25
3	81038423	4		LIFTING SLING 1 LEG X 40,000 LBS X 9 FT
4	84026655	4		SLING 13.0 (FT) 40000(LB)
5	81041163	4		SHACKLE 20.5T SLING

Online Usage Only

ENU / 2022-08-25

6.47 MAST SUPPORT ASSY (81039609) Rev D

MAST SUPPORT ASSY (81039609) Rev D				
Pos.	Part	BOM Qty.	Foot Note	Description
1	5637900	2		PIN HAIRPIN COTTER .120 DIA X 2.38 LG
2	5638170	4		PIN HAIRPIN COTTER .148 DIA X 2.69 LG
3	5638710	3		PIN SAFETY .375 DIA X 2.25 LG
4	810052462	4		PIN COTTER HAIR .178 DIA X 3.75 LG
5	810138560	2		PIN WIRE LOCK .250 DIA X 2.50 LG (IN)
6	81039220	2		BLOCK NYLON
7	81039221	2		PIN WITH HEAD 30.0 DIA X 87.0 LG
8	81039224	2		PIN WITH HEAD 26.0 DIA X 63.5 LG
9	81039225	2		PIN WITH HEAD 15.0 DIA X 47.0 LG
10	81039228	4		PIN WITH HEAD 40.0 DIA X 47.0 LG
11	81039229	2		PIN 20.0 DIA X 38.0 LG
12	81039617	2		BRACKET MACHINING
13	81039741	1		STRUT MACHINING RH
14	81039791	2		STRUT MACHINING
15	81039828	1		STRUT MACHINING LH
16	81039831	1		EQUALIZER MACHINING RH
17	81039835	1		EQUALIZER MACHINING LH
18	81040017	2		PIN W/HD 35.0 DIA X 186.0 LG
19	81040018	1		PIN W/HD 35.0 DIA X 166.0 LG
20	81040574	4		SHIM NYLON 3.2 MM
21	81040577	4		SHIM NYLON 1.0 MM
22	81040648	4		SHIM NYLON 4.8 MM
23	81040649	4		SHIM 3.2 MM
24	81040650	4		SHIM NYLON 1.0 MM
27	81040796 → page 6-161	1		HINGE SUPPORT ASSY
28	81041241	2		PIN QUICK RELEASE 12.7 MM X 88.9 MM SS
29	81041245	4		RETAINING RING 26.0 MM DIN 471
30	81041261	4		RETAINING RING 40.0 DIN 471
31	81041329	2		PIN HAIR .17" DIA X 3.75" LG
32	81041359	12		SHIM NYLON 4.8 MM
33	81041361	8		SHIM NYLON 9.5 MM
34	7126241453	8		HEXAGON HEAD SCREW
36	7127191454	8		SCR SKT HD M10-1.5 X 35 10.9 PLN
38	7951240014	8		F WASHER 16 200HV FLZN 7089
39	7951270014	12		F WASHER 20 200HV FLZN 7089
40	7126271653	12		HHCS M20X45 8.8 FLZN 4017

Part Number Index

0

0003789 (PIN YOKE .375 DIA)	1-36
0012042 (SPRING .75 X .105 WIRE 3.04)	3-44, 3-46, 3-150, 6-10
0103059 (PIN 2 HOLE 0.750 DIA X 3.41 LG)	5-12
0119782 (TREAD PIN 1 3/4 X 15.81 BLACK)	5-14
0169842 (ANCHOR WEDGE 1.125 DIA ROPE)	2-24
0197992 (WEDGE ANCHOR 1.125 WIRE ROPE)	2-52, 2-84, 2-222
03140562 (INDICATOR PLATE "ATTENTION")	3-26
03142615 (JOG DIAL)	3-22
0402468 (TREAD (PINNED) 48X15X7 CAST STEEL)	5-14
0700912 (BUSHING .762IDX.942ODX1.25LG)	3-48, 3-152, 6-12
0701262 (SPRING 1.12 OD X .162 WIRE)	2-28, 2-212
0703662 (PIN 2 HOLE 1.75 DIA X 3.41 LG)	6-16, 6-18, 6-20
0735622 (SHIM CRAWLER ADJ)	5-19
0757472 (BOLT EYE .31-18 X 3.25X0.25)	2-28, 2-212
0782922 (PIN 5/8 X 5 1/16)	1-13
0936572 (BLOCK 2 HALVES=1 PC LIFT)	3-148
0954942 (DECAL (EN) DANGER-STAY CLEAR 5.63X12)	1-210 to 211
0954969 (DECAL (EN) DANGER ELECTROCUTION HAZARD)	1-210

1

1370872 (WASHER CRAWLER END MACHD CAST)	5-19
1401972 (PIN 1 HOLE W/HD 0.75 DIA X 1.66 LG)	1-143, 1-153, 1-185
1401982 (PIN 2 HOLE 1.000 DIA X 2.59 LG)	1-24
1424032 (WEIGHT)	3-104, 6-8
1436622 (PIN 1 HOLE W/HD .500 DIA X 1.55 LG)	2-28, 2-212

1438892 (PIN 1 HOLE W/HD 0.500 DIA X 1.25 LG)	1-127, 1-131
1478482 (DECAL (EN) PATENT)	1-210
1478529 (DECAL DANGER BOOM HAZARD)	6-44
1622712 (COVER 6 X 7)	3-46, 3-150, 6-10
1680912 (LUG)	3-148
1687742 (PIN (NO HOLES) W/HD .875 DIA X .94 LG)	6-42
1687752 (PLATE .50 THK)	6-42
1687762 (GUARD 16 GA (.059) SHT)	6-42
1687772 (PLATE MOUNTING .25 THK)	6-42
1687782 (INDICATOR DIAL BOOM FLANGE INDICATOR)	6-42
1687792 (BOOM ANGLE INDICATOR ASSY)	6-2
1698102 (PLATE KEEPER .500 THICK)	6-20, 6-158
1700812 (F WASHER SHIM 2.50 X 1.06 X 0.06 ST)	2-28, 2-212
1703732 (BUSHING BRONZE)	5-22
1703889 (BOLT FRONT IDLER)	5-19
1704694 (ROLLER FRT CRAWLER W/BUSHS)	5-19
1704782 (F WASHER SHIM 4.50 X 2.56 X .12 ST)	2-28
1706412 (F WASHER SHIM 5.25 X 1.06 X .38 ST)	4-21
1706622 (SHAFT 5.000X1.370X10.94)	6-138, 6-144
1707742 (SHIM CRAWLER ADJUSTMENT)	5-19
1715852 (SHIM)	6-136, 6-142
1715862 (SHIM)	6-136, 6-142
1715872 (NUT)	6-138, 6-144
1718779 (SHIM PACK (4 SHIMS) ITEMS 001-002)	2-212
1730182 (GUARD WIRE ROPE BAR .12 X .75)	6-36
1730192 (GUARD ROPE)	6-36
1735852 (PLATE MTG)	5-4
1748442 (CLAMP 1 PC = 1 SHEAVE)	6-20
1759161 (DECAL DANGER BOOM SECTIONS)	6-2
1765302 (PLATE KEEPER)	2-28

7126151153 (HHCS M6X20 8.8 FLZN 4017)	1-24, 1-128, 2-100, 3-76, 3-94, 3-117, 4-10, 4-12, 4-14, 4-60, 4-62, 4-64, 4-102, 5-30, 6-48, 6-162	7126171850 (HHCS M8X55 8.8 FLZN 4014)	2-134, 2-148
7126151253 (HEXAGON SCREW)	2-72, 3-52, 3-76, 4-50, 4-99	7126171853 (HHCS M8-1.25 X 55 8.8 ZC)	2-298
7126151350 (HHCS M6X30 8.8 FLZN 4014)	4-92, 4-99	7126171953 (HHCS M8X60 8.8 FLZN 4017)	4-73
7126151353 (HHCS M6X30 8.8 FLZN 4017)	1-25, 4-99	7126172053 (HHCS M8X65 8.8 FLZN 4017)	2-101, 6-72
7126151453 (HHCS M6X35 8.8 FLZN 4017)	2-148, 3-102	7126172250 (HEX BOLT CAP PRECISION M8X75/8.8/ZINC)	2-96
7126151553 (HHCS M6x40 8.8 FLZN 4017)	3-138	7126172353 (HHCS M8X80 8.8 FLZN 4017)	2-100, 2-309
7126151653 (HHCS M6X45 8.8 FLZN 4017)	1-71, 5-34	7126172550 (HHCS 8 X 90 8.8)	2-130
7126152053 (SCR CAP HEX HD M6-1 X 65 8.8 ZC)	3-42, 3-88, 3-94, 3-117	7126172650 (HHCS 8 X 100 8.8)	4-73
7126152253 (SCR CAP HEX HD M6-1 X 75 8.8 ZINC)	2-206	7126172750 (SCR CP HX M8-1.25 X 110 8.8)	2-70
7126170753 (HHCS M8x10 -8.8 ISO 4017)	2-52	7126190753 (SCR CAP HEX HD M10-1.5 X 10 8.8 ZC)	3-148, 6-8
7126171053 (HHCS M8X16 8.8 FLZN 4017)	1-24, 2-38, 2-58, 2-70, 2-159, 2-173, 2-298, 3-134, 3-140, 4-57, 5-19	7126191053 (HHCS 10 X 16 8.8 FULL THREAD)	2-266, 3-96, 3-118, 6-60
7126171150 (HHCS 8 X 20 8.8)	2-250	7126191150 (HHCS M10x20 8.8 ISO 4014)	6-102
7126171153 (HEXAGON BOLT)	1-25, 1-127, 1-175, 2-229, 3-10, 4-50	7126191153 (HHCS M10X20 8.8 FLZN 4017)	2-38, 2-139, 3-74, 3-94, 3-96, 4-99
7126171155 (SFHCS M8X20 8.8 FLZN 10642)	1-41	7126191250 (HHCS 10 X 25 8.8)	2-298
7126171250 (HHCS 8 X 25 8.8)	1-25	7126191253 (HHCS M10X25 8.8 FLZN 4017)	2-6, 2-28, 2-32, 3-74, 3-82, 3-84, 3-88, 3-90, 3-106, 3-117, 3-128, 3-138, 3-146, 3-148, 3-156, 4-48, 6-34, 6-68
7126171253 (HHCS M8X25 8.8 FLZN 4017)	1-5, 1-128, 1-143, 1-163, 2-16, 2-39 to 40, 2-58, 2-99, 2-130, 2-228	7126191353 (HHCS M10X30 8.8 FLZN 4017)	1-203, 2-99, 3-42, 3-74, 3-117, 3-148, 4-4, 4-58, 4-99, 6-98
7126171353 (HHCS M8X30 8.8 FLZN 4017)	1-71, 1-131, 1-135, 1-139, 1-143, 1-163, 1-175, 5-34	7126191450 (HHCS 10 X 35 8.8)	6-28, 6-86, 6-112, 6-116, 6-124, 6-130, 6-134, 6-148
7126171356 (HEX SERRATED FLANGE SCREW M8X30)	3-126	7126191453 (HHCS M10X35 8.8 FLZN 4017)	2-6, 3-74, 4-104, 6-30
7126171453 (HHCS M8X35 8.8 FLZN 4017)	1-131, 2-96, 2-148, 2-266	7126191550 (HHCS 10 X 40 8.8)	1-93, 1-131
7126171553 (HHCS M8X40 8.8 FLZN 4017)	4-78, 5-19	7126191553 (HHCS M10X40 8.8 FLZN 4017)	1-127, 2-99, 3-148
7126171753 (HHCS M8X50 8.8 FLZN 4017)	2-208, 2-268	7126191750 (HHCS M10X50 8.8 FLZN 4014)	4-52, 6-64, 6-76, 6-78, 6-80, 6-82, 6-84
		7126191753 (HHCS M10X50 8.8 FLZN 4017)	2-319

Part Number Index

7661210804 (HEX LOCK NUT M12 10FLZN ISO7040)	1-99, 1-123, 2-144, 2-156, 2-159, 2-166, 2-173, 2-188, 2-191, 2-200, 2-210, 2-216, 2-276, 2-288, 2-296, 2-309, 2-314, 4-4, 4-6, 4-16, 4-18, 4-52, 4-57, 4-66, 4-70, 6-162	7787172013 (HSSS M8X20 45H FLZN 4026)	1-128
7661211104 (HEX LOCK NUT)	4-48, 5-12	7787212513 (HSSS M12X25 45H FLZN 4026)	1-109
7661220004 (HEX NUT 14 10 ISO 4032)	4-66, 4-80	7826000109 (SOCKET RELAY)	3-123
7661220804 (NUT LOCK NYLON INSERT M14-2 ZC)	4-21	7826000648 (WIRE TERMINAL SOCKET 14-16GA)	3-123
7661240003 (HEX NUT M16 8FLZN ISO4032)	2-72	7826100004 (WIRE TERMINAL SOCKET 16-20GA AU)	3-102, 3-123
7661240004 (HEX NUT M16 10FLZN ISO4032)	6-20	7872100142 (SWITCH DISCONNECT)	3-126
7661240103 (HEX JAM NUT M16 04FLZN ISO4035)	3-52, 4-80	7872100159 (SWITCH ROCKER BEACON LIGHT)	3-68
7661240803 (HEXAGON LOCK NUT)	6-102	7872100174 (SWITCH L-SER 24V WNSHLD WIPER)	3-23
7661240804 (HEX LOCK NUT M16 10FLZN ISO7040)	4-57, 6-98	7872100188 (SWITCH ROCKER CAB TILT)	3-64
7661270003 (HEX NUT H M20 CL8)	1-93	7872100189 (TRAVEL SPEED SWITCH)	3-23
7661270004 (HEX NUT M20 10FLZN ISO4032)	4-90	7872100190 (SWITCH ROCKER PARK BRAKES)	3-23, 3-60, 3-62
7661270103 (HEX JAM NUT M20 04FLZN ISO4035)	1-24	7872100191 (ROCKER SWITCH PANEL LIGHTS)	3-23
7661270804 (HEX LOCK NUT M20 10FLZN ISO7040)	6-48	7872100192 (SWITCH ROCKER WORK LIGHTS)	3-70
7661290003 (HEX NUT M24 8FLZN ISO4032)	1-179, 1-181, 6-48	7872100194 (SWITCH ROCKER MAST ARMS)	3-23
7661340004 (HEX NUT M30 10FLZN ISO4032)	6-64	7892000219 (TERMINAL FEMALE)	3-123
7661340803 (HEX LOCK NUT M30 8FLZN ISO7040)	6-66	7892000222 (ELEC CONNECTOR RECEPTACLE)	3-123
7661380004 (HEX NUT M36 10FLZN ISO4032)	5-14	7892000824 (RECEPTACLE DT04-6P(W6P))	3-102
7689100044 (TERMINAL)	3-56	7892100036 (RECEPTACLE 3 WAY)	3-128
7691113200 (PIN COTTER 4 DIA X 32 LG)	6-128	7950060453 (L WASHER I-T #6 SS B18.21.1)	3-123
7709100891 (PLUG ELEC 2-POLE SOCKET)	3-88	7950100053 (L WASHER #10 SS B18.21.1)	3-123
7709100902 (RECEPTACLE PLUG 3P W/120 OHM RES)	3-109	7950100141 (F WASHER #10 ST B18.22.1 NARR)	1-41
7709100903 (ELECTRICAL CONNECTOR)	3-78	7950140141 (F WASHER 1/4"NAR MS)	1-71
7785241200 (HSSS CUP 7/8-9 X 0.75)	1-128, 5-4	7950140143 (F WASHER 1/4 ST SAE)	1-37
7787151610 (HSSS M6X16 45H FLZN 4029)	3-138	7950150040 (L Washer 5/16in Nar HRC44-51)	1-179, 1-181
7787171614 (HSSS M8x16 45H FLZN 4028)	1-97	7950150141 (F WASHER 5/16 ST B18.21.1 NARROW)	1-127, 1-179, 1-181, 6-53, 6-86, 6-112, 6-116, 6-124, 6-130, 6-134, 6-148
		7950160141 (F WASHER 3/8 ST B18.21.1 NARROW)	2-204, 2-309

ENU / 2022-08-25

810252180 (TUBE PREFORMED .75 OD X .065 W DOM)	5-33	81025576 (VALVE DIR CTRL D05 3P4W)	2-116, 2-124, 2-258
810252912 (HOIST FRAME MAIN)	2-84	810255982 (PIN PIVOT BOOM HINGE)	1-99
810252922 (HOIST FRAME BEARING SIDE MAIN)	2-84	810255992 (BRACKET PINPULLER)	1-99
810253010 (WIRE ROPE 28MM ASSY 950M LG)	2-84	81025600X (CHAIN ENERGY VPC ROT BED/VPC TRAY)	2-20
810253062 (PIN 2 HOLE 19.1 MM DIA X 81.2 MM)	6-76, 6-78, 6-80, 6-82, 6-84, 6-114, 6-126, 6-132, 6-146	810256011 (PIN PULLER BOOM HINGE)	1-2
810253160 (ACCUMULATOR 0.5 LITER ASME STEEL)	2-38, 2-58, 2-159, 2-172, 2-228, 2-250	81025604 (RELAY 24V TIME DELAY)	3-123
810253172 (BRACKET ACCUMULATOR)	2-38, 2-58, 2-159, 2-172, 2-228, 2-250	81025605 (FUSE BOX ATC 20 2 BUS)	3-123
810253232 (BRACKET ACCUMULATOR MOUNT)	2-172	810256110 (TUBE PREFORMED 1.25 OD X .120 W C61/)	2-240, 2-272, 2-318
810253250 (O-RING 104.7 X 101.32MM X 1)	4-26	81025614 (TERMINAL KEYING PIN)	3-123
810253521 (ESI FIXED JIB BUTT)	6-32	81025616 (CIRCUIT BREAKER 40A 24V)	3-123
810253531 (ESI BOOM TOP WIRING)	3-2	81025617 (BRACKET FUSE HOLDER)	3-123
810254400 (VALVE DIVIDER 120 LPM)	2-96, 2-130	81025618 (DECAL DC LOAD CENTER)	3-123
810254410 (NAMEPLATE CONSOLE DISPLAYS)	3-23	810256240 (HYD MOTOR 250CC PIS VAR B1 24V)	2-84
810254560 (GEAR BOX 450 HP, 1800 RPM)	4-26	810256261 (TROLLEY VPC ASSY)	1-2
810254602 (BRACKET RECEPTACLE SIZE 18)	2-32, 3-42, 3-117, 6-60	81025648 (WIRE 10 AWG TXL)	3-123
810254612 (BRACKET RECEPTACLE SIZE 24)	3-94, 3-117, 3-148, 6-34	810256520 (SHCS M30-1.5 X 230LG, 12.9)	5-10
81025462 (WIRING HARNESS WZR1)	6-34	810256531 (BOOM STOP ASSY #500)	6-2
810254722 (CLAMP CABLE SPRING CLIP)	6-16, 6-18, 6-20, 6-32, 6-64, 6-76, 6-78, 6-80, 6-82, 6-84	810256541 (BOOM STOP OUTER TUBE)	6-62
810255011 (ACCESSORY CAMERA MONITORS CAB)	3-2	810256552 (BOOM STOP INNER TUBE)	6-62
810255040 (HOSE 0.75 ID X 5598 X 33.0 LG)	4-57	810256572 (STRUT BOOM STOP)	6-62
810255430 (TANK FUEL ASSY DEF 15 GAL)	4-78	810256580 (SPRING 4.531X1.063X49.5 IN)	6-62
81025571 (MANIFOLD BLOCK 5 BANK D07)	2-114	810256592 (BOOM STOP GUIDE BAR)	6-62
810255720 (VALVE BANK 2 BANK D05 3POS 4WAY)	2-99, 2-250	810256660 (ELEC CABLE WN130,000)	3-106
810255740 (VALVE DIR CTRL D07 3P 4W)	2-114	810257070 (VALVE LOAD HOLDING)	2-38, 2-228
		810257340 (LOAD CELL LINK 145,150 KGS)	6-64
		810257350 (PIN LOAD 120.0 MM DIA X 145,1)	6-52
		810257670 (WIRING HARNESS WEE1)	3-74
		810257690 (WIRING HARNESS WEE3)	3-74
		810257790 (BUSHING COMPOSITE 2.76 X 3.25 X 2.75)	6-62
		810257802 (ROLLER PLATE 70 MM)	6-62
		810257812 (ROLLER ASSY BOOM STOP)	6-62
		810258002 (PIN 2 HOLE 69.85 OD X 120 LG)	6-62
		810258071 (SWITCH ROCKER DRUM 2 CAB)	3-2
		810258091 (SWITCH ROCKER DRUM 5 CAB)	3-2

ENU / 2022-08-25

Part Number Index

810298382 (CATWALK 965 MM X 2438 MM)	6-116	810300912 (CATWALK 965 MM X 1295 MM)	6-124
810298392 (CATWALK 965 MM X 1693 MM)	6-116	810300922 (CATWALK 736 MM X 683 MM) . . .	6-124
810298402 (CATWALK 241 MM X 1438 MM)	6-116	81030137 (PLATFORM WELDMENT CAR-BODY)	1-179
810298412 (CATWALK 241 MM X 409 MM) . . .	6-116	810301572 (HANDRAIL ROTATING BED)	1-177
810298562 (BRACKET WELD CRAWLER LADDER)	5-19	810301722 (LADDER 371 MM X 2064 MM)	6-86, 6-112, 6-116, 6-124, 6-130, 6-134, 6-148
810298582 (PENDANT 1.12 DIA X 70.0 INCH)	6-96	810301742 (PIN 1 HOLE W/HD 70.0 DIA X 192.5 LG)	1-13
810298642 (BRACKET DEF HOSE)	4-78	81030184 (BEAM ASSY FORK TUBE)	1-179, 1-181
810298702 (BRACKET HOSE CHAIN)	2-250	810301880 (Q DISCON FITTING HYD COUPLER 24 #62 X)	2-272, 2-292
810299161 (CHAIN ASSY)	1-13	810302240 (TUBE PREFORMED .75 OD X 0.095 WALL 4130)	2-168
810299170 (CHAIN 13 X 39 LINK X 6000 6700KG)	1-19	810302282 (PLATFORM CARBODY WELDMENT)	1-181
810299412 (HITCH PIN .5 DIA X 5.50 LG)	6-82	810302432 (CATWALK 483 MM X 1124 MM)	6-116
810299430 (DECAL RADIUS)	1-210	810302572 (PLATFORM WELDMENT CAR-BODY)	5-12
810299490 (DECAL DRUM ID)	1-210	810302582 (COVER ACCESS WELDMENT CARBODY)	1-181
810299552 (PIN 1 HOLE W/HD 60.00 DIA X 105.00 MM LG)	1-13	810302622 (LADDERLE 516X1558)	1-127
810299562 (PIN 1 HOLE 50.0 DIA X 45.0 MM LG)	1-13	810302632 (ARM LADDER SUPPORT)	1-127
810299682 (PIN 130.0 DIA X 375.0)	5-4	810302742 (SHAFT ROLLER FRONT)	5-19
810299732 (BRACKET HYD AROUND GREASE PUMP)	2-159	810302782 (HANDRAIL CAB)	1-25
810299740 (DECAL COOLANT LEVEL FULL (LANDSCAPE))	1-210	810302802 (BRAKE ASSY CAB DOOR BRAKE)	1-37
810299750 (DECAL WARNING COOLANT BURN HAZARD)	1-210	81030281 (BRACKET WELDMENT DOOR BRAKE)	1-47
810300010 (SENSOR SPEED H1 MOTOR)	2-24, 2-52, 2-84, 2-212	810302822 (BRACKET PLATFORM SUPPORT)	1-127
810300062 (BRACKET ENERGY CHAIN)	2-99	810302932 (BRACKET LADDER STOWAGE)	1-127
810300071 (CATWALK ASSY #500 12M HEAVY)	6-3	810302962 (TUBE PREFORMED .75 OD X .065W DOM 1020)	5-34
810300081 (INSERT LJ PREP-12M HEAVY)	6-3	810303002 (SHIM CRAWLER ADJUST 1.0") . . .	5-19
810300292 (PLATFORM ASSY ROTATING BED)	1-127	810303012 (SHIM CRAWLER ADJUST 0.5") . . .	5-19
81030030 (PLATFORM WELDMENT ROT BED)	1-135	810303122 (BRACKET LADDER SUPPORT)	1-185
810300312 (HANDRAIL ROTATING BED PLATFORM ROTATING)	1-177	810303131 (LADDER ASSY)	1-2
810300471 (GUARD ASSY VPC)	1-2	810303162 (BRACKET PLATFORM)	5-12
810300492 (GUARD PINION VPC)	1-183		

CLICK HERE TO **DOWNLOAD** THE COMPLETE MANUAL

- Thank you very much for reading the preview of the manual.
- You can download the complete manual from: www.heydownloads.com by clicking the link below



- Please note: If there is no response to CLICKING the link, please download this PDF first and then click on it.

CLICK HERE TO **DOWNLOAD** THE COMPLETE MANUAL