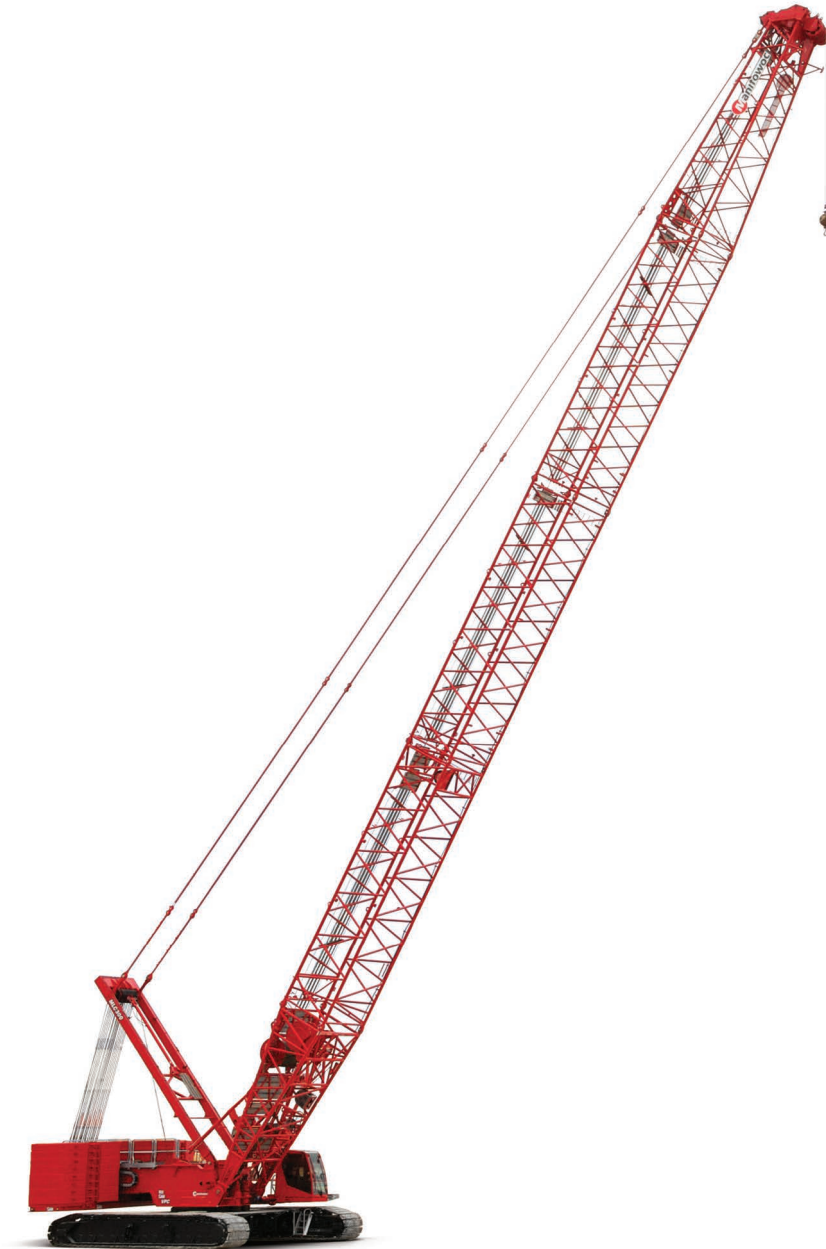


Manitowoc MLC300

605542

Parts Manual



ENU
2016-01-22

CLICK HERE TO **DOWNLOAD** THE COMPLETE MANUAL

- Thank you very much for reading the preview of the manual.
- You can download the complete manual from: www.heydownloads.com by clicking the link below



- Please note: If there is no response to CLICKING the link, please download this PDF first and then click on it.

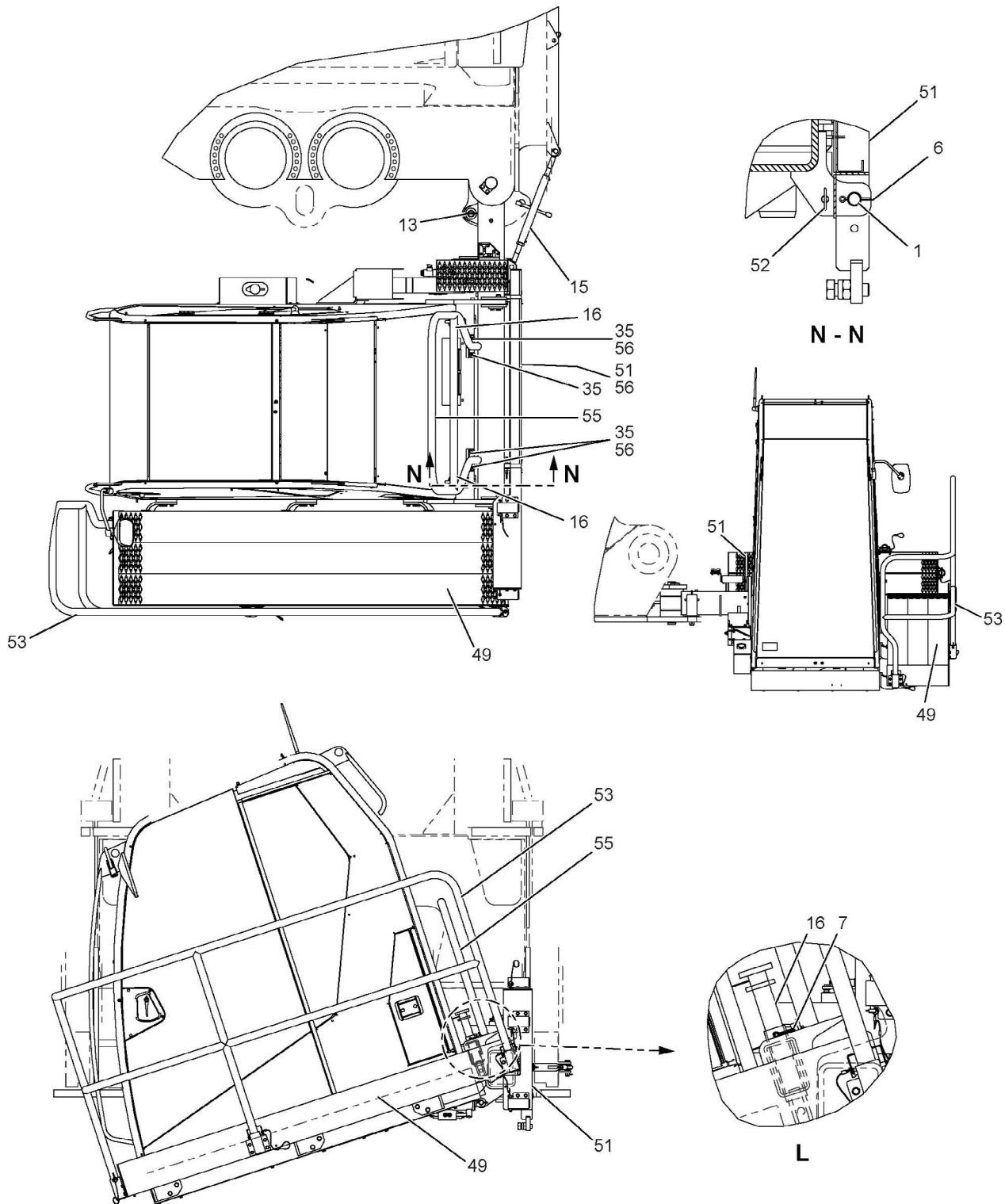
CLICK HERE TO **DOWNLOAD** THE COMPLETE MANUAL

2.22	HYD LINES INSTL ACCESS LOW PRESS (810274601) Rev G	2-188
2.23	HYD LINES INSTL ACC HIGH PRESS (810274611) Rev J	2-190
2.23.1	PIN HOSE STOWAGE (81042207) Rev B	2-192
2.24	HOIST ASSY LUFFING (810277081) Rev E	2-194
2.24.1	ESI DRUM 6 (810259471) Rev E	2-198
2.24.2	DRUM ASSY LUFFING HOIST (810277041) Rev A	2-202
2.24.3	PAWL ASSY (810284644) Rev A	2-204
2.24.4	HYD EQUIP DRUM 6 (810345341) Rev M	2-206
2.25	HYD LINES INSTL SWIVEL ROTATING BED (810279561) Rev E	2-220
2.26	HYD LINES INSTL SWING MOTOR CIRCUIT (810279571) Rev E	2-222
2.27	HYD LINES INSTL SWING MOTOR CIRCUIT (84022262) Rev A	2-224
2.28	HYD LINES INSTL DRUM 1/3 (810280421) Rev D	2-226
2.29	HYD EQUIP VPC TROLLEY (810288801) Rev H	2-228
2.29.1	VALVE MANIFOLD ASSY 2 BK D03 2-3P4W AL (810136490) Rev B	2-230
2.29.2	VALVE BANK 2BK ASY D032-2P4W AL (810136500) Rev B	2-232
2.29.3	VALVE BANK 2 BANK D05 3POS 4WAY (810255720) Rev E	2-236
2.29.4	ENERGY CHAIN TRAY SUPPORT (810357471) Rev C	2-238
2.30	HYD LINES INSTL CARBODY PIN PULL BRK (810292181) Rev D	2-240
2.31	HYD LINES INSTL LIVE MAST CYLINDER (810293821) Rev G	2-244
2.32	HYD LINES INSTL LIVE MAST CYLINDER (810296331) Rev G	2-246
2.32.1	Q DISCON FITTING HYDR NIPPLE -12ORBx-8 (810210270) Rev B	2-248
2.33	HYD LINES INSTL DRUM 6 (810340161) Rev G	2-250
2.33.1	Q DISC FITTING HYDR COUPLER -12ORBx-12 (810039130) Rev B	2-252
2.33.2	PIN HOSE STOWAGE (81042207) Rev B	2-254
2.34	HYD LINES INSTL DRUM 4 (810426841) Rev C	2-256
2.34.1	Q DISC FITTING HYDR COUPLER -12ORBx-12 (810039130) Rev B	2-260
2.34.2	Q DISC FITTING HYD CPLR-20 CODE 62X-24 (810114700) Rev C	2-262
2.34.3	Q DISCON FITTING HYDR COUPLER -8ORBx-6 (810121640) Rev B	2-264
2.34.4	PIN HOSE STOWAGE (81042207) Rev B	2-266
2.35	HYDL LINES INSTL PUMP DISCH (81035571) Rev F	2-268

1. ROTATING STRUCTURE

ROTATING STRUCTURE				
Pos.	Part	BOM Qty.	Foot Note	Description
2500	810287691 ➡ page 1-180	1		PARTS BOX ASSY
2540	81042177 ➡ page 1-188	1		GUARD ASSY VPC ROLLERS
2550	81042362 ➡ page 1-192	1		ENERGY CHAIN ASSY SHIPPING
2580	81042358 ➡ page 1-194	1		GUARD CYL & HOSE STOW
2610	81034048 ➡ page 1-196	1		DECAL ASSY (EN)

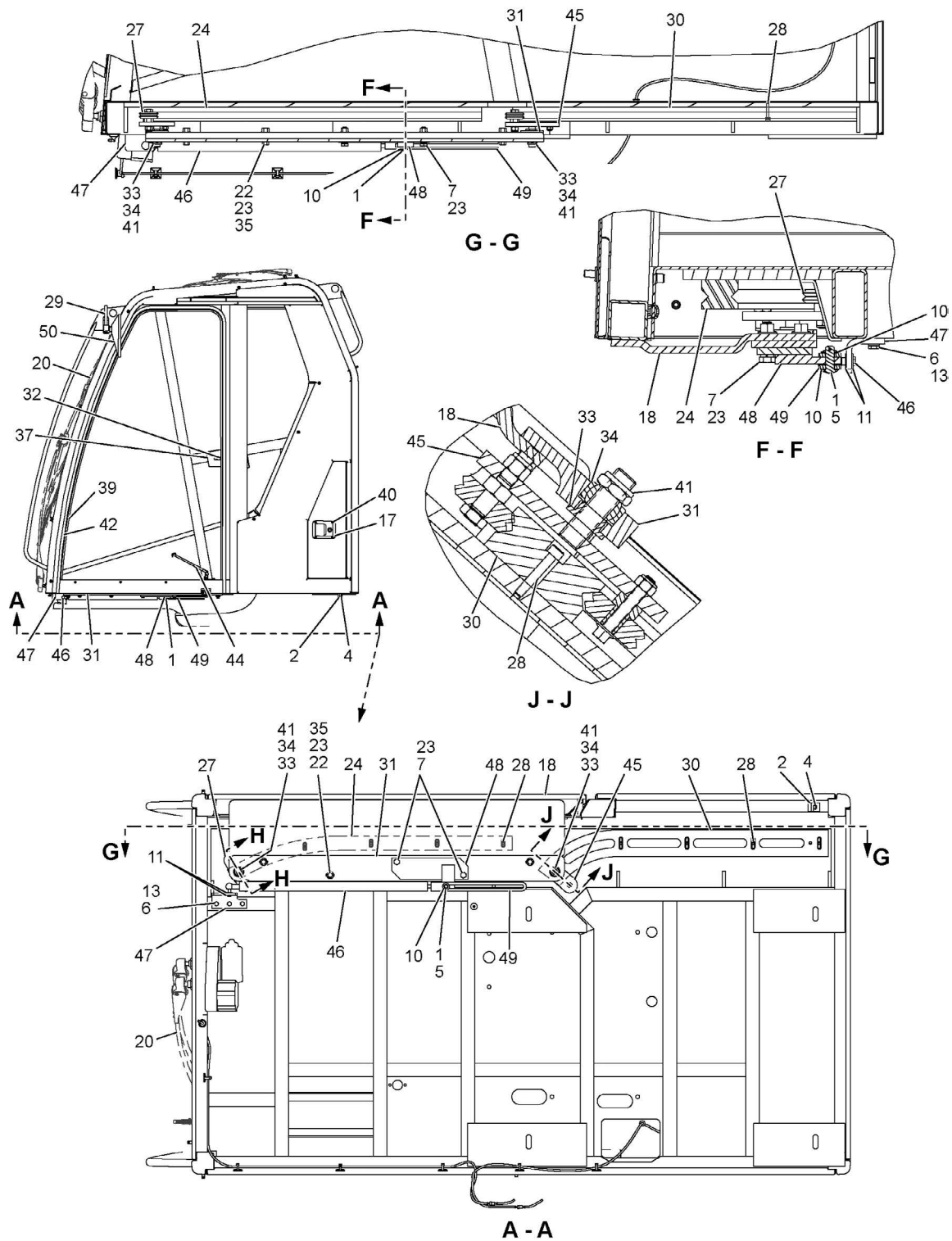
1. ROTATING STRUCTURE
1.3 CAB MOUNTING ASSY (810239782) Rev H



ENU / 2016-01-22

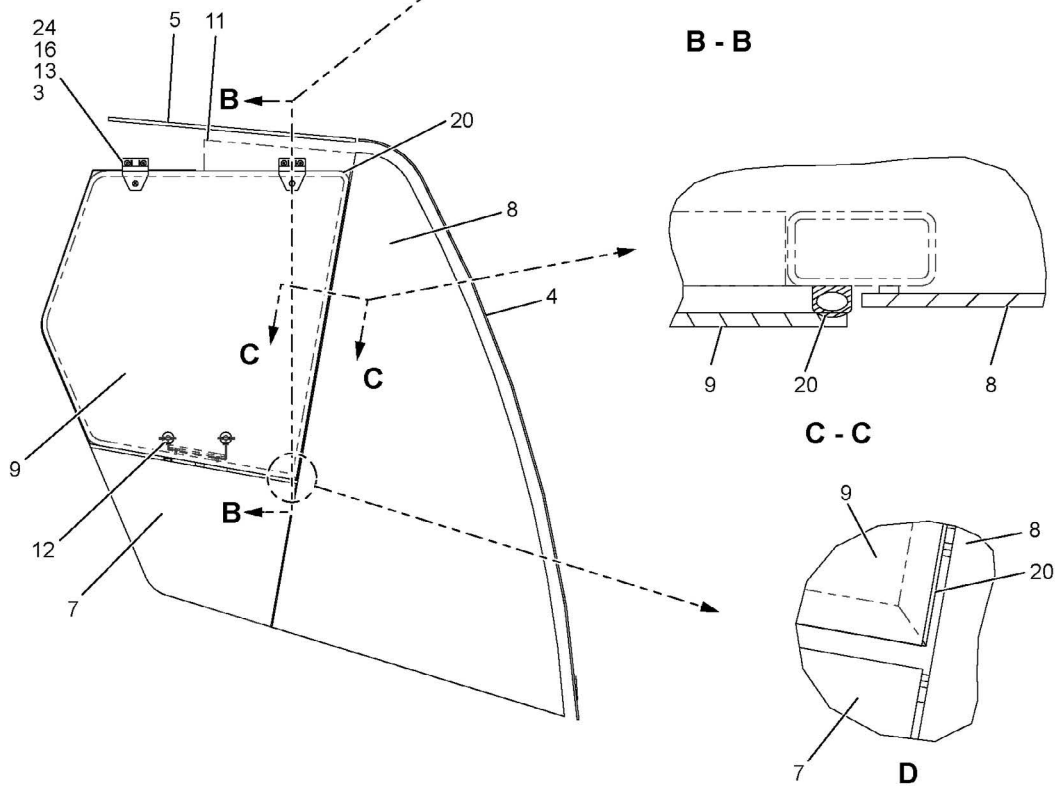
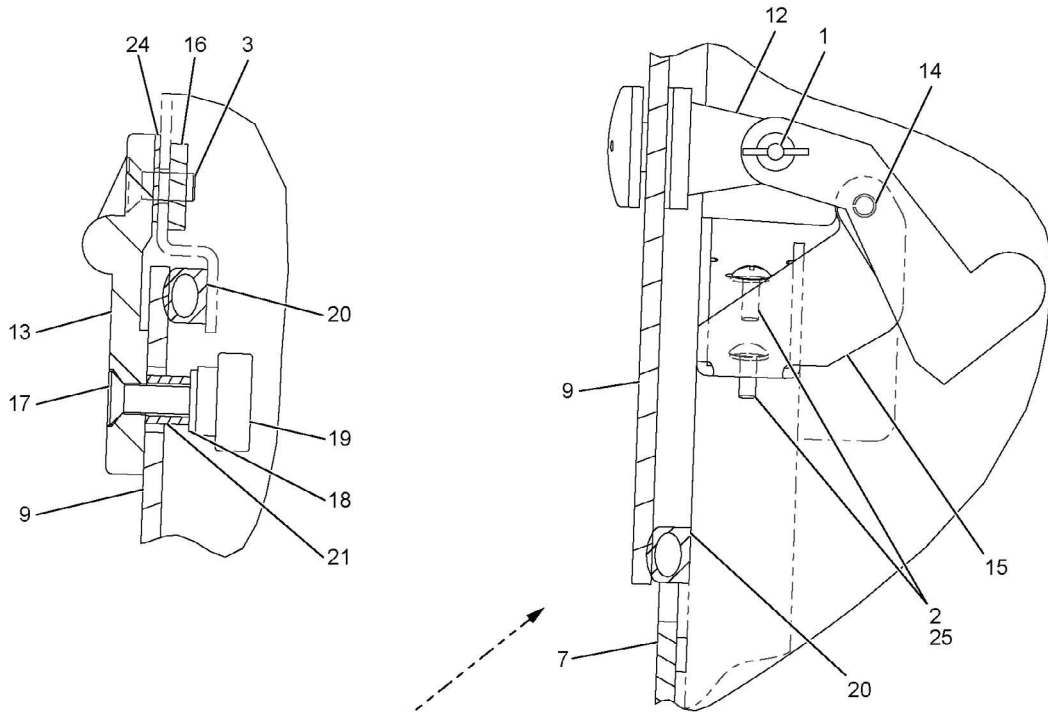
1. ROTATING STRUCTURE

1.3.1 CAB ASSY 24V CANBUS (810219121) Rev G



ENU / 2016-01-22

1. ROTATING STRUCTURE
1.3.1 CAB ASSY 24V CANBUS (810219121) Rev G



ENU / 2016-01-22

1. ROTATING STRUCTURE
1.3.1 CAB ASSY 24V CANBUS (810219121) Rev G

ROLLER ASSEMBLY (A037000) Rev B				
Pos.	Part	BOM Qty.	Foot Note	Description
1	5462740	1		HEX JAM NUT 7/16-20UNF GR 5
2	A026250	2		WHEEL GUIDE,SEALED BEARING
3	A026260	1		BUSHING,STATIONARY
4	A026270	1		BUSHING,ECCENTRIC JOURNAL
5	A027230	1		HFLGS
6	A027240	1		HEX LOCK NUT PA 8 8 ISO 7040
7	A029700	1		PLATE MOUNTING
8	A030240	1		STUD
9	A031990	1		HEX LOCK NUT PA 7/16-20UNF GR C

ENU / 2016-01-22

1. ROTATING STRUCTURE
1.3.1 CAB ASSY 24V CANBUS (810219121) Rev G

INSULATION ASSY CAB (810218772) Rev A				
Pos.	Part	BOM Qty.	Foot Note	Description
1	A025500	1		INSULATION LEFT FRONT
2	A025510	1		INSULATION LEFT REAR
3	A025520	1		INSULATION RIGHT FRONT
4	A025530	1		INSULATION RIGHT MIDDLE
5	A025540	1		INSULATION RIGHT REAR
6	A025550	1		INSULATION RIGHT REAR TOP
7	A025560	1		INSULATION REAR TOP
8	A025570	1		INSULATION REAR WALL LOWER
9	A025580	1		INSULATION REAR WALL RIGHT
10	A025590	1		INSULATION REAR WALL UPPER
11	A025740	1		INSULATION REAR WALL LEFT
12	A032070	1		INSULATION LOCKER DOOR


ENU / 2016-01-22

1. ROTATING STRUCTURE
1.4 LUBE SYST TURNTABLE BEARING (810239853) Rev D

LUBE SYST TURNTABLE BEARING (810239853) Rev D				
Pos.	Part	BOM Qty.	Foot Note	Description
1	810260460 ➡ page 1-64	1		PUMP GREASE 24VDC/2.0A
2	7126171353	3		HHCS M8X30 8.8 FLZN 4017
3	7951170014	3		F WASHER 8 ST ISO 7089
4	7951170210	3		L WASHER 8 ST DIN 7890
5	A067160 ➡ page 1-66	1		VALVE ASSY 6 BANK
6	A067170 ➡ page 1-68	1		VALVE AUTOLUBE ASSY 10 BANK .125 NPTF
7	A067180 ➡ page 1-70	1		VALVE ASSY 12 BANK
9	4285750	21		FITTING 90 DEG ELBOW QUICKLINC #243699
10	4290200	21		FITTING 1/8 X 1-1/4"
11	81037569	1		HOSE ASSY .125 ID X 110.0 LG
12	810269080	1		HOSE ASSY .125 ID X 50.0 LG
13	810269080	1		HOSE ASSY .125 ID X 50.0 LG
14	810223780	1		TUBE NYLON .25 OD X .05 W X 74 LG
15	810223780	1		TUBE NYLON .25 OD X .05 W X 74 LG
16	810268940	1		TUBE NYLON .25 OD X .05 W X 45 LG
17	810268960	1		TUBE NYLON .25 OD X .05 W X 48 LG
18	810268960	1		TUBE NYLON .25 OD X .05 W X 48 LG
19	810268940	1		TUBE NYLON .25 OD X .05 W X 45 LG
20	810268940	1		TUBE NYLON .25 OD X .05 W X 45 LG
21	810268940	1		TUBE NYLON .25 OD X .05 W X 45 LG
22	810268940	1		TUBE NYLON .25 OD X .05 W X 45 LG
23	810268940	1		TUBE NYLON .25 OD X .05 W X 45 LG
24	810268940	1		TUBE NYLON .25 OD X .05 W X 45 LG
25	810264000	1		TUBE RD .25 OD X .05WALL X 60LG NYLON
26	810264050	1		TUBE RD .25 OD X .05WALL X 55LG NYLON
27	810264050	1		TUBE RD .25 OD X .05WALL X 55LG NYLON
28	810268970	1		TUBE NYLON .25 OD X .05 W X 53 LG
29	810268970	1		TUBE NYLON .25 OD X .05 W X 53 LG
30	810268970	1		TUBE NYLON .25 OD X .05 W X 53 LG
31	810266850	1		TUBE RD .25 OD X .05 W X 65 LG NYLON
32	810266850	1		TUBE RD .25 OD X .05 W X 65 LG NYLON
33	810268990	1		TUBE NYLON .25 OD X .05 W X 80 LG
34	810264050	1		TUBE RD .25 OD X .05WALL X 55LG NYLON
35	3490060	9		CLAMP .62 DIA
36	6123510	9		HHCS 1/4-20UNC X 0.50 GR 5
37	7950140141	9		F WASHER 1/4"NAR MS
38	7126151653	6		HHCS M6X45 8.8 FLZN 4017
39	7951150014	12		F WASHER 6 ST ISO 7089
40	A172800	42		BOOT QUICKLINC 432-24313-1
41	7661150803	6		HEX LOCK NUT M6 8FLZN ISO7040

ENU / 2016-01-22

1. ROTATING STRUCTURE
1.5 SLEWING DRIVE ASSY (810240151) Rev E

SLEWING DRIVE ASSY (810240151) Rev E				
Pos.	Part	BOM Qty.	Foot Note	Description
1	810294212	1		COVER GEAR
2	810113060	3		WASHER RETAINING PLASTIC .375"
3	810209280	1		GEAR BOX PLANETARY SWING DRIVE
4	7127191253	3		HHCS M10X25 10.9 FLZN4017
5	7127221553	4		HHCS FULL THREAD 14 X 40 10.9
6	7128292154	14		SCR SKT HD M24-3 X 70 12.9 PLN
7	7951190014	3		F WASHER 10 ST ISO 7089
8	7951190220	3		L WASHER 10 ST DIN 127B
9	7951220015	4		F WASHER 14 HST ISO 7089
10	A056890  page 1-74	1		MOTOR HYD PISTON FIXED 75 CC/REV
11	810249210	1		VALVE QUICK DRAIN M22 X 1.5

ENU / 2016-01-22

1. ROTATING STRUCTURE
1.6.1 MOTOR HYD PISTON FIXED 75 CC/REV (A056890) Rev E

SEAL KIT OVERHAUL (5364675)				
Pos.	Part	BOM Qty.	Foot Note	Description
1	9632220246	1		GASKET, END CAP
2	9632220035	2		O-RING
3	7031235	1		O-RING
4	9722221350	1		SEAL, LIP
5	9754220027	1		O RING

ENU / 2016-01-22

1. ROTATING STRUCTURE
1.9 ROLLER ASSY VPC (810240551) Rev B

ROLLER ASSY VPC (810240551) Rev B				
Pos.	Part	BOM Qty.	Foot Note	Description
1	4290100	1		FITTING LUBRICATION .25NPT
2	810266952	1		SHAFT 127 X 250, 4340
3	810266960	1		BEARING TAPER ROLLER
4	81026697	1		NUT RING M95 2
5	810266990	2		SEAL GREASE ID 155.13
6	810267000	2		RETAINING RING INT 184 DIA
7	81026701	1		ROLLER 350 X 183 70
8	7787171614	8		SCREW SET M8 X 1.25 M8 X 1.25 DOG PT

ENU / 2016-01-22

1. ROTATING STRUCTURE
1.11 TROLLEY VPC ASSY (810256261) Rev H

TROLLEY VPC ASSY (810256261) Rev H				
Pos.	Part	BOM Qty.	Foot Note	Description
1	1949362	4		PIN 2 HOLE .750 DIA X 2.16 LG
2	5462730	4		HEX JAM NUT 3/4-16UNF GR5
3	5621050	8		PIN COTTER 1/4 DIA X 1.50 LG
4	5621100	8		PIN COTTER 1/4 DIA X 3.00 LG
6	81037072X	2		GEAR BOX VPC DRIVE
8	81025167X	2		HYD MOTOR 80CC PISTON FIX B1
9	810256272	1		CTWT TROLLEY MACHINING
15	810270980	4		CYL HYD VPC 50.8 BORE,140 MM STK
19	810286122	4		PLATE END
22	810296242	4		PIN 2 HOLE 50.0 DIA X 130.0 LG
23	810296252	4		PIN W/HD 70.0 DIA X 133.0 LG
24	810315242	2		PLATE KEEPER 3.2MM
30	7127211355	96		SFHCS M12X30 10.9 FLZ10642
31	7127271953	40		HHCS M20X60 10.9 FLZN4017
32	7128190758	8		SHSS 10 X 10 GR 12.9 ISO 7379
33	7128211554	8		SCR SKT HD M12-1.75 X 40 12.9 PLN
36	7787212513	6		HSSS AT 12 X 25 ST
39	7951210014	8		F WASHER 12 ST ISO 7089
40	7951270014	40		F WASHER 20 ST ISO 7089
42	810315252	2		PLATE KEEPER 3.2MM
43	810315260	4		PIN QUICK RELEASE LYNCH 0.19 DIA

ENU / 2016-01-22

1. ROTATING STRUCTURE
1.15 ROTATING BED HYDRAZORB INSTALL RB (810288161) Rev G

ROTATING BED HYDRAZORB INSTALL RB (810288161) Rev G				
Pos.	Part	BOM Qty.	Foot Note	Description
1	810250150	3		CHANNEL ANCHOR CLAMP 25.4 DP X 304.8.0LG
2	810250160	4		CHANNEL ANCHOR CLAMP 25.4 DP X 457.2LG
3	810250170	11		CHANNEL ANCHOR CLAMP 25.4 DP X 609.6 LG
4	810269870	7		CHANNEL 25.4 DP X 203.2 LG
7	7661210804	54		HEX LOCK NUT M12 10FLZN ISO7040
8	7951210014	112		F WASHER 12 ST ISO 7089
9	810250210	1		CHANNEL ANCHOR CLAMP 25.4 DP X 1219.2 LG
11	810269530	2		CHANNEL ANCHOR CLAMP 25.4 DP X 406.4 LG
12	81042295	1		BAR RD 50.4 X 1320.8
13	7127211554	4		SCR SKT HD M12-1.75 X 40 10.9 PLN
14	81026954	1		CHANNEL ANCHOR CLAMP 25.4 DP X 508 LG
15	81042808	2		WING NUT M12-1.75 DIN315 18-8
16	810288410	56		SBCS M12-1.75 X 30 10.9 SS

ENU / 2016-01-22

1. ROTATING STRUCTURE
1.16.1 PLATFORM ASSY ROT BED LH (810298032) Rev D

LANYARD ASSY PIN (810293652) Rev B				
Pos.	Part	BOM Qty.	Foot Note	Description
1	810070010	1 FT		WIRE ROPE 3/64 7X7 SS VC-1/16 CLEAR
2	810070020	2		SLEEVE 1/16 OVAL ALUMINUM
3	A126470	1		PIN SAFETY .38 DIA X 3.00 LG

ENU / 2016-01-22

1. ROTATING STRUCTURE
1.16.5 LANYARD ASSY PIN (810293652) Rev B

LANYARD ASSY PIN (810293652) Rev B				
Pos.	Part	BOM Qty.	Foot Note	Description
1	810070010	1 FT		WIRE ROPE 3/64 7X7 SS VC-1/16 CLEAR
2	810070020	2		SLEEVE 1/16 OVAL ALUMINUM
3	A126470	1		PIN SAFETY .38 DIA X 3.00 LG

ENU / 2016-01-22

1. ROTATING STRUCTURE
1.16.8 LADDER FOLDING ASSY (84025515) Rev A

LANYARD ASSY PIN (81041140) Rev A				
Pos.	Part	BOM Qty.	Foot Note	Description
1	810070010	1 FT		WIRE ROPE 3/64 7X7 SS VC-1/16 CLEAR
2	810070020	2		SLEEVE 1/16 OVAL ALUMINUM
3	5636940	1		PIN QUICK RELEASE .375 DIA X 4.50 LG

ENU / 2016-01-22

1. ROTATING STRUCTURE
1.16.11 PLATFORM ASSY ROT BED INSIDE (81042241) Rev B

PLATFORM ASSY ROT BED (81042928) Rev A				
Pos.	Part	BOM Qty.	Foot Note	Description
1	81037620	4		MOUNTING PAD M16X2.0 100
2	81042621	1		PLATFORM WELDMENT ROT BED
3	7126211853	3		HHCS M12X55 8.8 FLZN 4017
4	7661210003	3		HEX NUT M12 8FLZN ISO4032

ENU / 2016-01-22

1. ROTATING STRUCTURE
1.18.1 PLATFORM ASSY CARBODY SIDE (810269922) Rev A

PLATFORM ASSY CARBODY SIDE (810269922) Rev A				
Pos.	Part	BOM Qty.	Foot Note	Description
1	5620460	4		PIN COTTER 1/8 DIA X 1.75 LG
2	5637970	2		PIN QUICK RELEASE 3/4 X 3-3/4
3	6124070	12		HHCS 5/16-18UNC X 1.25 GR 5
4	810292732	2		PIN COTTER 2 HOLE 28.6 DIA X 88.9 LG
5	81030137	1		PLATFORM WELDMENT CARBODY
6	81030184	2		BEAM ASSY FORK TUBE
7	7127292353	2		HHCS M24X80 10.9 FLZN4017
8	7660152500	12		HEX LOCK NUT PA 5/16-18UNC SS
9	7661290003	2		HEX NUT M24 8FLZN ISO4032
10	7950150040	12		L Washer 5/16in Nar HRC44-51
11	7950150141	12		F WASHER 5/16 ST B18.21.1 NARROW

ENU / 2016-01-22

1. ROTATING STRUCTURE
1.21.1 BUTTON SOCKET 28 OR 32 WR (A062780) Rev E

BUTTON SOCKET 28 OR 32 WR (A062780) Rev E				
Pos.	Part	BOM Qty.	Foot Note	Description
1	9539220048	1		PIN, COTTER (3/8X3-1/2)
2	90024534	1		PIN

ENU / 2016-01-22

1. ROTATING STRUCTURE
1.25.1 VALVE ASSY QUICK DRAINER 120.0 LG (810249430) Rev A

VALVE ASSY QUICK DRAINER 120.0 LG (810249430) Rev A				
Pos.	Part	BOM Qty.	Foot Note	Description
1	3453370	1		CLAMP WORM DRIVE 0.69 - 1.50 ID
2	810249410	1		HOSE 0.75ID X 5598 X 120
3	810249470	1		FITTING ADPTR STRT QUICK DRAIN DRAINER

ENU / 2016-01-22

1. ROTATING STRUCTURE
1.27 ENERGY CHAIN ASSY SHIPPING (81042362) Rev B

ENERGY CHAIN ASSY SHIPPING (81042362) Rev B				
Pos.	Part	BOM Qty.	Foot Note	Description
1	5638510	2		PIN HAIRPIN COTTER .092 DIA X 1.62 LG
3	5638250	2		PIN SNAP
7	81042366	1		BRACKET ASSY HOSE STOWAGE
8	81042373	1		ROD 9.5 X 250 LG

ENU / 2016-01-22

2. UPPERWORKS MACHINERY
2.1 TANK HYD ASSY 552 L (81037936) Rev C

TANK HYD ASSY 552 L (81037936) Rev C				
Pos.	Part	BOM Qty.	Foot Note	Description
1	1770022	1		COVER
2	1770032	1		GASKET COVER
3	3772200	4		PIPE NIPPLE 3.00 X 2.63 LG
4	4296170	1		FITTING ADPTR 1/8 24SA-02
5	4603740	1		GAUGE LEVEL OIL 21" HEIGHT
6	5638230	4		PIN SAFETY .25 DIA X 1.75 LG
7	810249260	2		VALVE QUICK DRAIN 1-11.5 NPT
8	810291512	4		HANDLE VALVE OPERATOR
9	810291522	4		HANDLE VALVE OPERATOR
10	810291540	1		GASKET FILTER COVER
11	810291552	1		COVER HEATER
12	810291560	1		GASKET HEATER
13	810291580	1		SPRING RETAINING FILTER
14	81029159	4		PLATE VALVE MOUNTING
15	810291602	4		VALVE SELECTOR BUTTERFLY
16	81029161	4		F WASHER 50.8ODX27.0IDX3.0 MM
17	81029163	4		O-RING 158.8MM X5.3MM(-362)
18	81038756	1		SWITCH ASSY PRESSURE, 29 PSI
19	810292890	4		STRAINER HYD FILTER 3.00 NPT
20	81037907X	1		TANK HYD WELDMENT 552 L
21	81037987	1		GUARD LEVEL SENSOR
22	81038029	1		FILTER ELEMENT 10 MICRON 43 PSI BYPASS
23	81038727	1		COVER FILTER
24	7104100811	5		SCREW MACH PAN HEAD SLOTTED #10-32UNF
25	7111100510	4		SLOT RMS #10-24 UNC X .63
26	7126191253	8		HHCS M10X25 8.8 FLZN 4017
27	7126191453	4		HHCS M10X35 8.8 FLZN 4017
28	7126241654	32		SHCS 16 X 45 8.8
29	7661170803	6		HEX LOCK NUT M8 8FLZN ISO7040
30	7661190804	4		HEX LOCK NUT M10 10FLZN ISO7040
31	7951170014	3		F WASHER 8 ST ISO 7089
32	7951190014	16		F WASHER 10 ST ISO 7089
33	A030720	1		VALVE CHECK .125 NPT AIR TANK
34	A119270	1		SENSOR HYD FLUID TEMP -40 TO 130 DEG C
35	A164380 ▶ page 2-8	1		BREATHER VENT TANK H2O VAPOR 35CFM
36	A164650	1		FITTING ADAPTER SPECIAL
37	A175152	3		COVER ACCESS 10" ASSY FOR HYD AND FUEL
38	2888300	2		HEX BUSHING PIPE .25 X .125
39	3753030	1		COUPLING PLUG 1/8 NPT
40	3753040	1		CAP DUST COUPLING
41	81042376	1		SHEET METAL 1.5 X 190.0 X 266.0

ENU / 2016-01-22

2. UPPERWORKS MACHINERY
2.2 HYD LINE INSTL ENERGY CHAIN (810113011) Rev C

HYD LINE INSTL ENERGY CHAIN (810113011) Rev C				
Pos.	Part	BOM Qty.	Foot Note	Description
1	7555515763	1		HOSE ASSY .75 ID X 154 LG
2	7555515763	1		HOSE ASSY .75 ID X 154 LG
3	7555516261	1		HOSE ASSY .75 ID X 162 LG
4	810356190	1		HOSE ASSY .75 ID X 152 LG 797TC STOCK
5	7555516863	1		HOSE ASSY .75 ID X 165 LG
6	810356200	1		HOSE ASSY .75 ID X 166 LG 797TC STOCK
7	7555517161	1		HOSE ASSY .75 ID X 171 LG
8	810039130 → page 2-16	7		Q DISC FITTING HYDR COUPLER -12ORB X-12
9	810249010	1		WIRING HARNESS WVB1
10	81025600X	1		CHAIN ENERGY VPC ROT BED/VPC TRAY
11	7447121203	2		FITTING ADAPTER 90 DEG -120RFS X -120RB
12	7447121202	1		FITTING ADPTR STRT 12 ORFS X 12 ORB
13	7447121233	1		FITTING ADAPTER 90 DEG -120 RFS X -120RF
14	7447121238	4		90 DEG LONG ELBOW - MALE ORS T
15	810186010	1		NAMEPLATE ID TAG ROUND #001
16	810186020	1		NAMEPLATE ID TAG ROUND #002
17	810187030	1		NAMEPLATE ID TAG ROUND #003
18	810186040	1		NAMEPLATE ID TAG ROUND #004
19	810186050	1		NAMEPLATE ID TAG ROUND #005
20	810186060	1		NAMEPLATE ID TAG ROUND #006
21	810186070	1		NAMEPLATE ID TAG ROUND #007

ENU / 2016-01-22

2. UPPERWORKS MACHINERY
2.3.2 ESI DRUM 4 (810277261) Rev E

LIMIT SWITCH SUBASSY W/90 DEG CORD GRIP (810245252) Rev A				
Pos.	Part	BOM Qty.	Foot Note	Description
1	3643870	1		ELEC CONNECTOR MALE 3 POLE 13 AMP SEALED
2	4717170	1		CORD GRIP .50 NPT .25 - .375 CORD
3	5726060	1		PLUG ELEC LOCK W3P
4	6806940	3		TERMINAL PIN CONTACT MALE
5	810161270	1		SWITCH LIMIT
20	2971820	1 FT		CABLE WIRE 16 AWG 3 CONDUCTOR TYPE SDN
21	2972110	1 FT		CABLE WIRE 18 AWG XLPE TYPE TXL BLUE

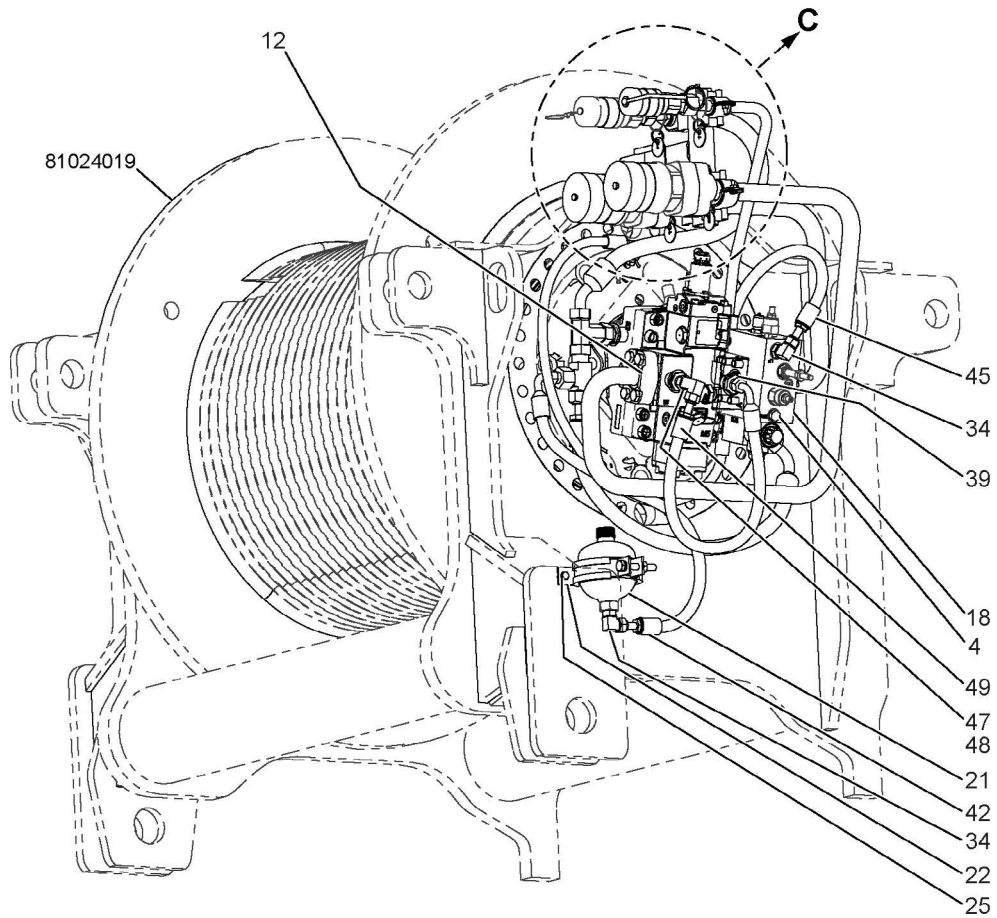
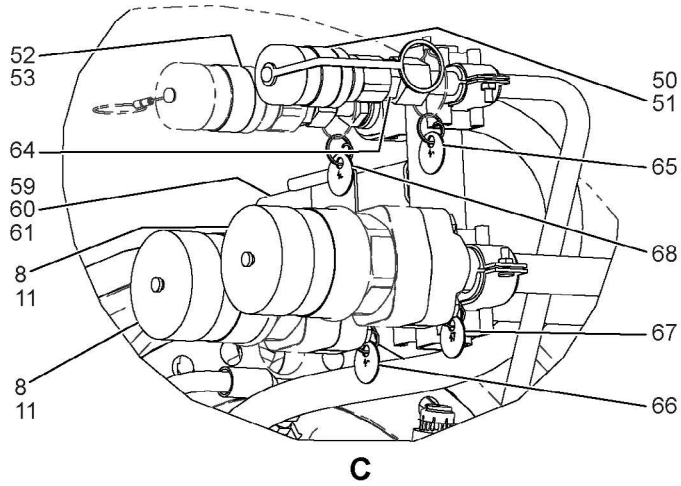
ENU / 2016-01-22

2. UPPERWORKS MACHINERY
2.3.3 HYD EQUIP DRUM 4 (810426831) Rev F

Q DISC FITTING HYD NIP -20 CODE 62X-24 (810042800) Rev D				
Pos.	Part	BOM Qty.	Foot Note	Description
1	810120180	1		FITTING QUICK DISC NIPPLE
2	90021783	1		CARTRIDGE KIT

ENU / 2016-01-22

2.4.1 HYD EQUIP DRUM 2 OR 3 (810340131) Rev K



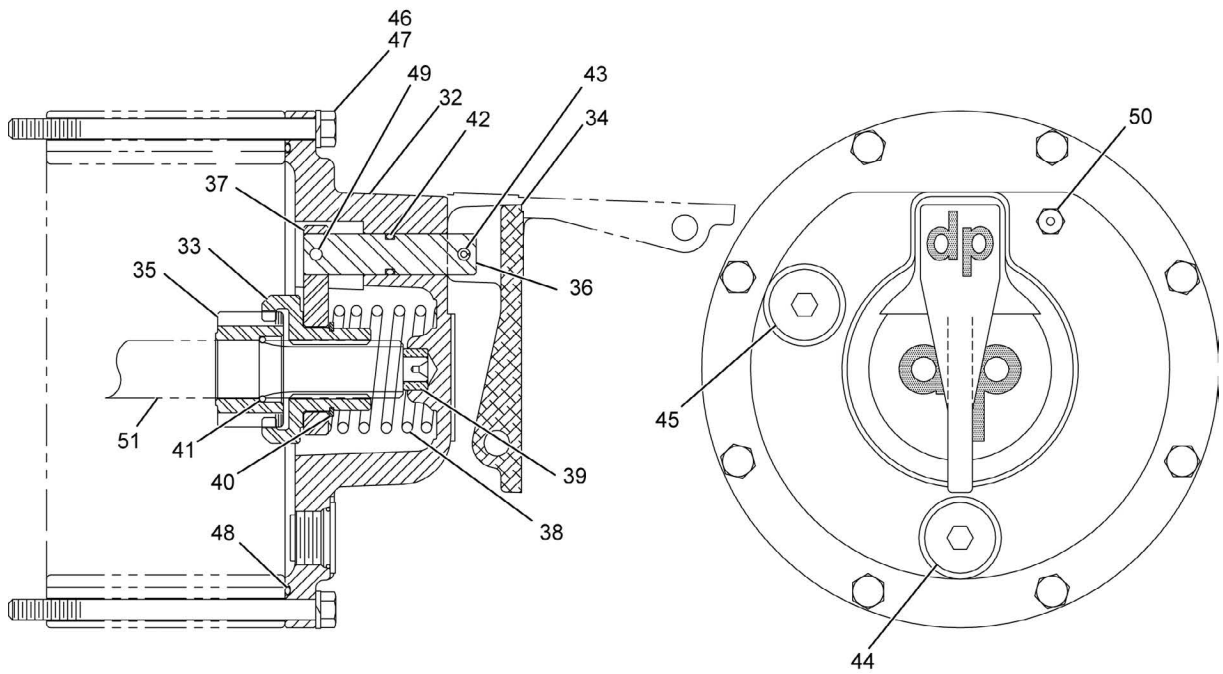
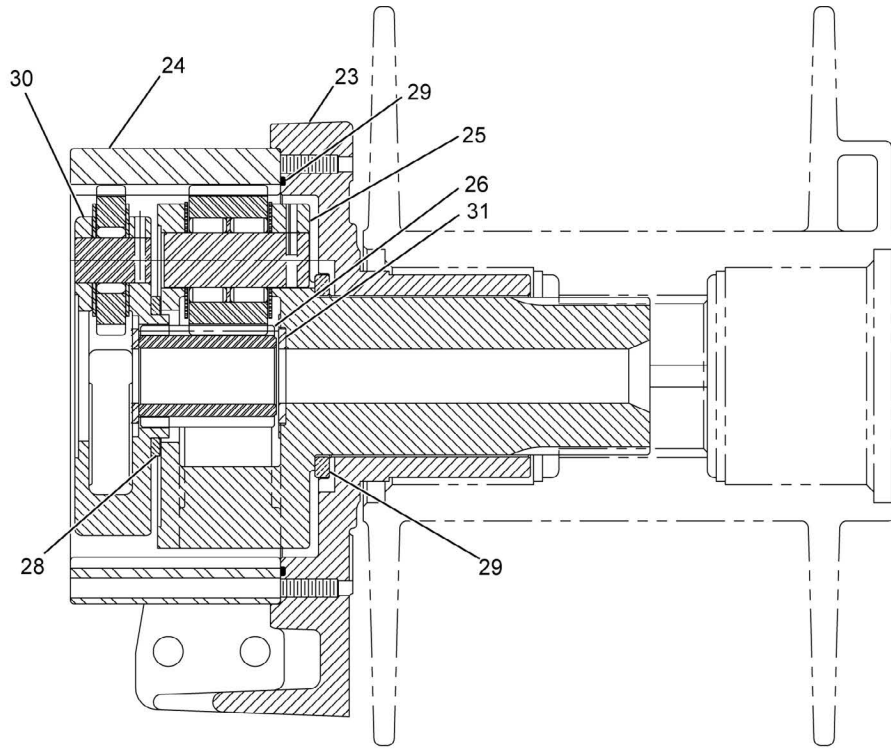
ENU / 2016-01-22

2. UPPERWORKS MACHINERY
2.4.1 HYD EQUIP DRUM 2 OR 3 (810340131) Rev K

Q DISCON FITTING HYD NIPPLE -12ORBX-12 (810039140) Rev B				
Pos.	Part	BOM Qty.	Foot Note	Description
1	810120120	1		FITTING QUICK DISC NIPPLE
2	90021777	1		CARTRIDGE KIT

ENU / 2016-01-22

2. UPPERWORKS MACHINERY
2.6.1 WINCH RIGGING (810099570) Rev C



ENU / 2016-01-22

**2. UPPERWORKS MACHINERY
2.7 DRUM ASSY MAIN (810250611) Rev G**

DRUM ASSY MAIN (810250611) Rev G				
Pos.	Part	BOM Qty.	Foot Note	Description
1	0197992	1		WEDGE ANCHOR 1.125 WIRE ROPE
2	2256650	1		BEARING SPH ROLLER 23.62 X 15.75 X 5.83
3	4290000	1		FITTING GREASE .125 NPT
4	5621740	8		PIN COTTER 1/2 DIA X 4.50 LG
5	6146230	4		HHCS 20 X 55 8.8
6	6223830	1		SEAL OIL 6.25 X 7.25 X.437
7	810240160	1		GEAR BOX HOIST 84.7:1 RATIO
8	810250622	1		DRUM MACHINING MACHINING 28MM ROPE
9	810252912	1		HOIST FRAME MAIN
10	810252922	1		HOIST FRAME BEARING SIDE MAIN
11	810256240	1		HYD MOTOR 250CC PIS VAR B1 24V
12	7126211353	3		HHCS M12X30 8.8 FLZN 4017
13	7126211653	4		HHCS M12X45 8.8 FLZN 4017
14	7128272054	62		SHCS 20 X 65 12.9
15	7951210014	4		F WASHER 12 ST ISO 7089
16	7951270014	4		F WASHER 20 ST ISO 7089
17	7951270210	4		L WASHER 20 ST DIN 7980
18	A003142	1		PLATE KEEPER 10MM (.394 IN)
19	A040042	1		RETAINER BEARING
20	A059702	4		PIN 2 HOLE 2.50 DIA X 4.47 LG
21	810249260	1		VALVE QUICK DRAIN 1-11.5 NPT
22	81039856 ➡ page 2-76	1		ROLLER ASSY DRUM #1
23	4280410	1		FITTING ADPTR 90 DEG 16 NPTF X 16NPTF Fittings must comply with the current
24	4285830	1		FITTING ADPTR FEMALE 1.00 NPT/1.00 BSPP
25	5438050	2		PIPE NIPPLE 1.00 DIA X 3.0 LG SCH 40 SST
27	81041058	1		FITTING ADPTR 1.0 BSP X 1.0 NPT
28	A194200	1		BREATHER VENT 1.0 GAS THREAD
29	81040542	1		O-RING 160.0 X 154.0 X 3.0
30	810300010	1		SENSOR SPEED H1 MOTOR
100	810253010	1		WIRE ROPE 28MM ASSY GENERIC
200	810260770	1		WIRE ROPE 28MM ASSY GENERIC
300	810245580	1		WIRE ROPE 28MM ASSY GENERIC

ENU / 2016-01-22

ENU / 2016-01-22

2. UPPERWORKS MACHINERY
2.9.3 VALVE BANK 2BK ASY D032-2P4W AL (810136500) Rev B

VALVE DIRECTIONAL CNTRL DO3 2 POS 4 WAY (810239070) Rev A				
Pos.	Part	BOM Qty.	Foot Note	Description
1	90038353	1		COIL 810239070 VALVE
2	90038354	1		SEAL KIT 810239070 VALVE

ENU / 2016-01-22

2. UPPERWORKS MACHINERY
2.9.8 VALVE DIRECTIONAL CNTRL SELECTOR (A113480) Rev D

VALVE DIRECTIONAL CNTRL SELECTOR (A113480) Rev D				
Pos.	Part	BOM Qty.	Foot Note	Description
1	9926220226	1		CARTRIDGE, PILOT OPER SHUTTLE
2	9926220227	1		KIT, SEAL


ENU / 2016-01-22

2. UPPERWORKS MACHINERY
2.10.1 VALVE MANIFOLD ASSY 2 BK D03 2-3P4W AL (810136490) Rev B

VALVE MANIFOLD ASSY 2 BK D03 2-3P4W AL (810136490) Rev B				
Pos.	Part	BOM Qty.	Foot Note	Description
1	7034100	1		VALVE MANIFOLD 2
2	810270870	2		VALVE PROPORTIONAL 3 POS, 4 WAY, 30 LPM

ENU / 2016-01-22

2. UPPERWORKS MACHINERY
2.13.1 FRAME HOSE STOWAGE (81041424) Rev D

FRAME HOSE STOWAGE (81041424) Rev D				
Pos.	Part	BOM Qty.	Foot Note	Description
1	81037652	2		FITTING PLUG MOUNTING, -12 QD
2	81037653	4		FITTING PLUG MOUNTING, -24 QD
3	81037824	2		FITTING PLUG MOUNTING, -16 QD
4	81041313	1		BRACKET HOSE STOWAGE
11	810115390	8		WIRE RING COTTER 1.00 OD
12	81041239	8		PIN LOCKING 0.25 DIA X 1.38L
13	81042207  page 2-126	8		PIN HOSE STOWAGE
14	81042402	1		BRACKET HOSE STOWAGE
15	7127191453	2		HHCS M10X35 10.9 FLZN4017
16	7661191103	2		HEX LOCK NUT M10 8FLZN ISO7042
17	7951190014	4		F WASHER 10 ST ISO 7089
18	81041238	8		LANYARD STAINLESS 12 IN

ENU / 2016-01-22

2. UPPERWORKS MACHINERY
2.14.1 Q DISCON FITTING HYDR NIPPLE -8ORBX-6 (810121650) Rev B

Q DISCON FITTING HYDR NIPPLE -8ORBX-6 (810121650) Rev B				
Pos.	Part	BOM Qty.	Foot Note	Description
1	90021804	1		CARTRIDGE KIT

ENU / 2016-01-22

2.17.1 Q DISC FITTING HYDR COUPLER -12ORBX-12 (810039130) Rev B

Q DISC FITTING HYDR COUPLER -12ORBX-12 (810039130) Rev B				
Pos.	Part	BOM Qty.	Foot Note	Description
1	810120130	1		FITTING QUICK DISC COUPLER

ENU / 2016-01-22

2. UPPERWORKS MACHINERY
2.19 HYD LINES INSTL DRUM 1 PREP (810274541) Rev G

HYD LINES INSTL DRUM 1 PREP (810274541) Rev G				
Pos.	Part	BOM Qty.	Foot Note	Description
1	3455120	3		CLAMP TUBE 1.00 DIA
2	3455130	9		CLAMP TUBE 1.25 DIA
3	3456840	6		CLAMP TUBE 0.63 DIA
4	4282230	1		FITTING ADPTR STRT 60RFS X 60RB
5	4282240	2		FITTING ADPTR STRT 60RFS X 80RB
6	4282370	4		FITTING ADPTR 90 DEG 60RFS X 60RB
7	4295320	1		FITTING PLUG -6 ORB
8	4284120	1		FITTING ADPT STRAIGHT -160RFS X -80RFS
9	4316370	1		SPLIT FLANGE KIT -16 7/16-14 X 1.75
10	4316470	2		SPLIT FLANGE KIT -24 5/8-11 X 2.25 62
11	4316490	8		SPLIT FLANGE KIT -20 1/2-13 X 1.75
15	810039130 ➡ page 2-144	1		Q DISC FITTING HYDR COUPLER -12ORB X-12
16	810039140 ➡ page 2-160	2		Q DISCON FITTING HYD NIPPLE -12ORB X-12
17	810039150	2		CAP DUST -12
19	810042800 ➡ page 2-162	2		Q DISC FITTING HYD NIP -20 CODE 62X-24
20	810043080	4		CAP DUST -24
22	810048570	2		Q DISCON FITTING 24 SCREW/24 FLANGE
23	810056510	1		CAP DUST 20
24	810114700 ➡ page 2-146	2		Q DISC FITTING HYD CPLR-20 CODE 62X-24
25	810114770	3		SPLIT FLANGE ASSY -20 12X45 414BAR
26	810121640 ➡ page 2-166	2		Q DISCON FITTING HYDR COUPLER -8ORB X-6
28	81018608	3		NAMEPLATE ID TAG ROUND #008
29	81018609	3		NAMEPLATE ID TAG ROUND #009
30	81018611	3		NAMEPLATE ID TAG ROUND #011
31	81018616	1		NAMEPLATE ID TAG ROUND #016
32	81018617	1		NAMEPLATE ID TAG ROUND #017
33	81018610	3		NAMEPLATE ID TAG ROUND #010
35	810216660	1		Q DISCON FITTING NIPPLE 16 CODE 62 X 20
36	810250170	1		CHANNEL ANCHOR CLAMP 25.4 DP X 609.6 LG
37	810250180	1		CHANNEL ANCHOR CLAMP 25.4 DP X 762.0 LG
38	810253160	1		ACCUMULATOR 0.5 LITER ASME STEEL
39	810253172	1		BRACKET ACCUMULATOR
40	810253232	1		BRACKET ACCUMULATOR MOUNT
41	810269570	1		CHANNEL 25.4 DP X 711.2 LG
42	810269890	2		TUBE ASSY
45	810288410	8		SBCS M12-1.75 X 30 10.9 SS
46	810293120	1		TUBE PREFORMED 1.25 OD X .187 WALL
47	810295850	1		TUBE PREFORMED 1.00 OD X .120 WALL
48	81040376	2		TUBE ASSY 1.25 OD X .187 WALL

ENU / 2016-01-22

2. UPPERWORKS MACHINERY
2.19.4 Q DISC FITTING HYD CPLR-20 CODE 62X-24 (810114700) Rev C

Q DISC FITTING HYD CPLR-20 CODE 62X-24 (810114700) Rev C				
Pos.	Part	BOM Qty.	Foot Note	Description
1	810120190	1		FITTING QUICK DISC COUPLER

ENU / 2016-01-22

2. UPPERWORKS MACHINERY
2.20 HYD LINES INSTL DRUM 6 PREP (810274551) Rev E

HYD LINES INSTL DRUM 6 PREP (810274551) Rev E				
Pos.	Part	BOM Qty.	Foot Note	Description
65	81037653	2		FITTING PLUG MOUNTING, -24 QD
66	81042207 → page 2-182	5		PIN HOSE STOWAGE
67	81041238	5		LANYARD STAINLESS 12 IN
68	810115390	5		WIRE RING COTTER 1.00 OD
69	81041239	5		PIN LOCKING 0.25 DIA X 1.38L
70	84020120 → page 2-184	1		MANIFOLD BLOCK RETURN ASSY
71	84020122	1		SPACER PLATE 6MM
72	7126211353	2		HHCS M12X30 8.8 FLZN 4017
73	7126211453	1		HHCS M12X35 8.8 FLZN 4017

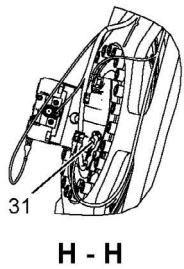
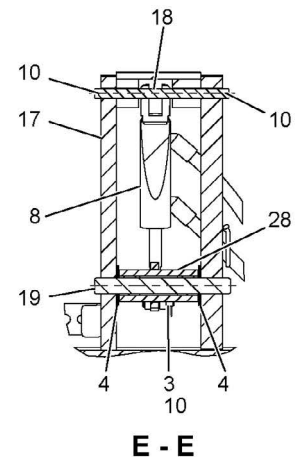
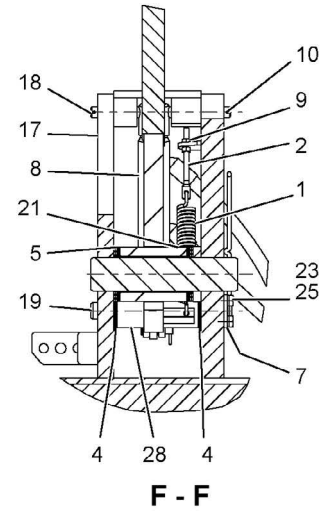
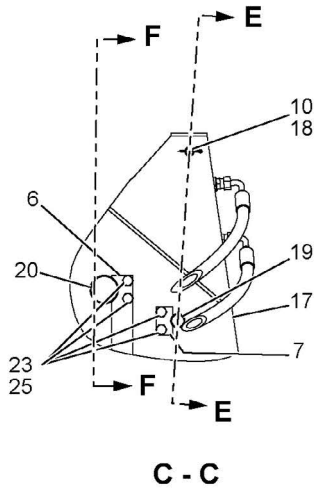
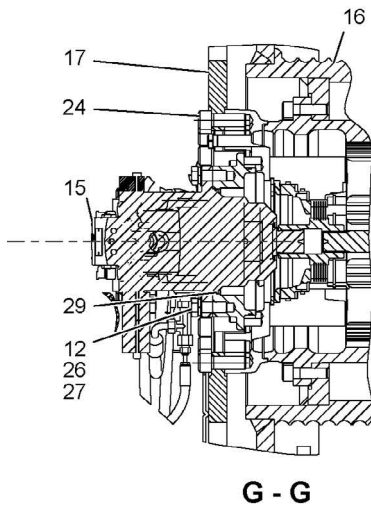
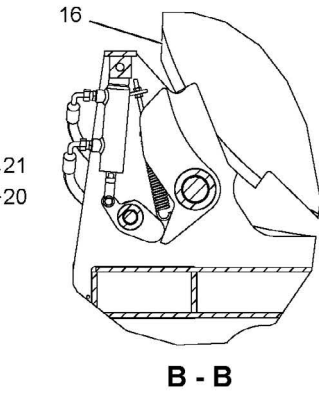
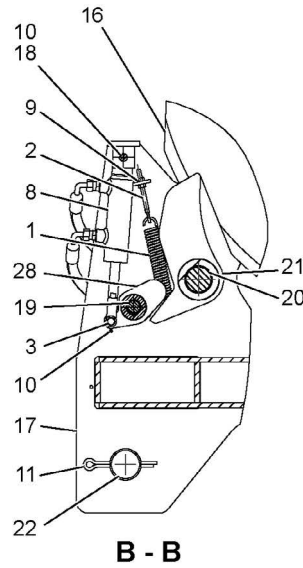
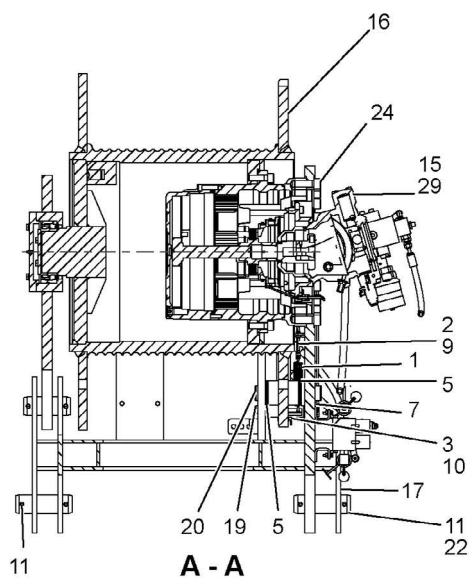
ENU / 2016-01-22

2. UPPERWORKS MACHINERY
2.20.5 MANIFOLD BLOCK RETURN ASSY (84020120) Rev B

MANIFOLD BLOCK RETURN ASSY (84020120) Rev B				
Pos.	Part	BOM Qty.	Foot Note	Description
1	4317340	1		FLANGE PLUG 1.00" CODE 62
2	5966930	2		O-RING 1.852 X 1.296 X .139 X 90
3	810056510	1		CAP DUST 20
4	810122950	3		FITTING PLUG -16 ORB, SAE INTERNAL HEX
5	810160840	1		FLANGE SPLIT PAIR -16 6.0 KSI
6	810216660	1		Q DISCON FITTING NIPPLE 16 CODE 62 X 20
7	81040677	1		MANIFOLD BLOCK -16 CODE 62X-16 ORB
8	81040678	1		PLATE MANIFOLD
9	7126192650	2		HHCS M10X100 8.8 FLZN4014
10	7126212850	4		HHCS M12X120 8.8 FLZN4014
11	7661190804	2		HEX LOCK NUT M10 10FLZN ISO7040
12	7951190014	2		F WASHER 10 ST ISO 7089

ENU / 2016-01-22

2. UPPERWORKS MACHINERY
2.24 HOIST ASSY LUFFING (810277081) Rev E



ENU / 2016-01-22

2. UPPERWORKS MACHINERY
2.24.3 PAWL ASSY (810284644) Rev A

PAWL ASSY (810284644) Rev A				
Pos.	Part	BOM Qty.	Foot Note	Description
1	2898230	2		BUSHING COMPOSITE 2 X 2-3/16 X 1-1/2
2	810284652	1		PAWL WELDMENT

ENU / 2016-01-22

2. UPPERWORKS MACHINERY
2.24.4 HYD EQUIP DRUM 6 (810345341) Rev M

Q DISC FITTING HYD NIP -20 CODE 62X-24 (810042800) Rev D				
Pos.	Part	BOM Qty.	Foot Note	Description
1	810120180	1		FITTING QUICK DISC NIPPLE
2	90021783	1		CARTRIDGE KIT

ENU / 2016-01-22

2. UPPERWORKS MACHINERY
2.27 HYD LINES INSTL SWING MOTOR CIRCUIT (84022262) Rev A

HYD LINES INSTL SWING MOTOR CIRCUIT (84022262) Rev A				
Pos.	Part	BOM Qty.	Foot Note	Description
1	4282380	1		FITTING ADAPTER 90 DEG -120RFS/-120R
2	4282600	1		FITTING ADPTR 90 DEG 60RFS X 60RFS
3	4283350	1		FITTING TEE IE 845-TTO-12
4	4316370	4		SPLIT FLANGE KIT -16 7/16-14 X 1.75
5	6926560	8.330 FT		TRIM LOC 100.0 LG
6	7447060605	1		FITTING ADAPTER TEE -60RFS X -60RFS
7	7447060633	1		FITTING ADAPTER 90 DEG -60RFS X -60RFS
8	7447080651	1		FITTING
9	7565206628	1		HOSE ASSY 1.00 ID X 66 LG
10	7565206628	1		HOSE ASSY 1.00 ID X 66 LG
11	7555204601	1		HOSE ASSY .375 ID X 46.00 LG
12	7555506401	1		HOSE ASSY .75 ID X 64 LG

ENU / 2016-01-22

2. UPPERWORKS MACHINERY
2.29.2 VALVE BANK 2BK ASY D032-2P4W AL (810136500) Rev B

VALVE DIRECTIONAL CNTRL DO3 2 POS 4 WAY (810239070) Rev A				
Pos.	Part	BOM Qty.	Foot Note	Description
1	90038353	1		COIL 810239070 VALVE
2	90038354	1		SEAL KIT 810239070 VALVE

ENU / 2016-01-22

2. UPPERWORKS MACHINERY
2.31 HYD LINES INSTL LIVE MAST CYLINDER (810293821) Rev G

HYD LINES INSTL LIVE MAST CYLINDER (810293821) Rev G				
Pos.	Part	BOM Qty.	Foot Note	Description
1	3455150	2		CLAMP TUBE 0.50 DIA
2	4282260	2		FITTING ADPTR 90 DEG 80RFS X 80RB
3	4282610	2		FITTING 90 DEG ELBOW 08
4	4283890	4		FITTING ADPTR STRT 80RFS X 120RB
5	4284200	2		FITTING ADPTR 90 DEG 80RFS X 120RB
6	4284640	2		FITTING ADPTR 90 DEG 80RES X 80RFS
7	4284850	12		FITTING ADPTR STRT 80RFS X 80RFS
10	810267680	2		UNION JOINT ROTATING 12 90DEG PS12
11	810272000	7		CLAMP 12.7MM-12.7MM DIA GRP2 DIN3015
12	7126171453	7		HHCS M8X35 8.8 FLZN 4017
13	810276030	7		COVER PLATE DIN3015 GROUP 2
14	810294822	8		TUBE PREFORMED .50 OD X .083 WALL C1010
15	810294830	1		TUBE PREFORMED .50 OD X .083 WALL C1010
16	810294842	1		TUBE PREFORMED .50 OD X .083 WALL C1010
17	810295402	1		TUBE PREFORMED .50 OD X .083 WALL
18	810295412	1		TUBE PREFORMED .50 OD X .083 WALL
26	7555309080	1		HOSE ASSY .50 ID X 69 LG
27	7555309580	1		HOSE ASSY .50 ID X 69 LG
28	7555306780	1		HOSE ASSY CODED .50 ID X 57 LG
29	810210280	2		Q DISC FITTING HYDR COUPLER -12ORB-X-8
30	81037654	2		FITTING PLUG MOUNTING, -.08 QD
31	81041537	2		TUBE PREFORMED .50 OD X .083 WALL
32	81042138	1		BRACKET HOSE STOWAGE
33	7126191053	2		HHCS 10 X 16 8.8 FULL THREAD
34	7128211354	2		SHCS 12 X 30 12.9
35	7447081201	2		FITTING ADAPTER STRAIGHT -80RFS X -120RB
36	7661210803	2		HEX LOCK NUT M12 8FLZN ISO7040
37	810186530	1		NAMEPLATE
38	810186540	1		NAMEPLATE
39	5811170	1 FT		GUARD PROTECTOR NYLON VELCRO SHEET
40	A165002	2		CABLE TIE .31 W X 4.0 BUNDLE
41	7555307181	1		HOSE ASSY .50 ID X 62 LG

ENU / 2016-01-22

2. UPPERWORKS MACHINERY
2.33.2 PIN HOSE STOWAGE (81042207) Rev B

PIN HOSE STOWAGE (81042207) Rev B				
Pos.	Part	BOM Qty.	Foot Note	Description
2	81041503	1		PIN 1 HOLE 25.0 DIA X 60.0 LG
3	7661210804	1		HEX LOCK NUT M12 10FLZN ISO7040

ENU / 2016-01-22

2. UPPERWORKS MACHINERY
2.34.3 Q DISCON FITTING HYDR COUPLER -8ORBX-6 (810121640) Rev B

Q DISCON FITTING HYDR COUPLER -8ORBX-6 (810121640) Rev B				
Pos.	Part	BOM Qty.	Foot Note	Description
1	90021802	1		CARTRIDGE KIT

ENU / 2016-01-22

2. UPPERWORKS MACHINERY
2.36.2 PIN HOSE STOWAGE (81042207) Rev B

PIN HOSE STOWAGE (81042207) Rev B				
Pos.	Part	BOM Qty.	Foot Note	Description
2	81041503	1		PIN 1 HOLE 25.0 DIA X 60.0 LG
3	7661210804	1		HEX LOCK NUT M12 10FLZN ISO7040

ENU / 2016-01-22

CLICK HERE TO **DOWNLOAD** THE COMPLETE MANUAL

- Thank you very much for reading the preview of the manual.
- You can download the complete manual from: www.heydownloads.com by clicking the link below



- Please note: If there is no response to CLICKING the link, please download this PDF first and then click on it.

CLICK HERE TO **DOWNLOAD** THE COMPLETE MANUAL

2. UPPERWORKS MACHINERY
2.39 HYD LINES INSTL CIRC COOLER FILTER (81038067) Rev F

HYD LINES INSTL CIRC COOLER FILTER (81038067) Rev F				
Pos.	Part	BOM Qty.	Foot Note	Description
1	3455160	2		CLAMP TUBE 1.50 DIA
2	3456750	1		CLAMP TUBE 2.50 DIA
3	4295320	2		FITTING PLUG -6 ORB
4	4316410	2		FLANGE ASSY SPLIT CODE 61 W/HARDWARE
5	4316420	2		FLANGE ASSY SPLIT CODE 61 W/HARDWARE
6	4316440	6		FLANGE ASSY SPLIT CODE 61 W/HARDWARE
7	810136510	1		TUBE PREFORMED 1.50 OD X .095 WALL
8	810321590	1		TUBE PREFORMED 1.50 OD X .095 WALL
9	81035471	1		FITTING ADPTR STRT MALE 24 ORB TO 24#61
10	81037861	1		TUBE PREFORMED 1.50 OD X .095 WALL
11	81040867	1		HOSE ASSY 1.50 ID X 31 LG
12	81038443	1		TUBE PREFORMED 1.50 OD X .095 WALL
13	81040869	1		HOSE ASSY 1.25 ID X 45 LG
14	7546805610	1		HOSE ASSY 1.50 OD X 56 LG
16	5966920	1		O-RING 2.040 X 1.484 X .139
19	810159870	1		FLANGE -20 CODE 61 90 DEG
20	810160940	1		FLANGE SPLIT CODE 61 20 4.0KSI
25	A125950	1		FLANGE CONNECTOR PLATE CODE 61 -20
26	7126192850	4		HHCS 10 X 120 8.8
27	7661190804	4		HEX LOCK NUT M10 10FLZN ISO7040
28	7951190014	4		F WASHER 10 ST ISO 7089
29	810270400	2		CLAMP 1.5 DIA DIN3015
30	810270640	2		PLATE DIN 3015 GROUP 3
31	7126192553	4		HHCS FULL THREAD 10 X 90 8.8
32	7661190803	4		HEX LOCK NUT M10 8FLZN ISO7040
33	7951210014	4		F WASHER 12 ST ISO 7089

ENU / 2016-01-22

2. UPPERWORKS MACHINERY
2.40.2 PIN HOSE STOWAGE (81042207) Rev B

PIN HOSE STOWAGE (81042207) Rev B				
Pos.	Part	BOM Qty.	Foot Note	Description
2	81041503	1		PIN 1 HOLE 25.0 DIA X 60.0 LG
3	7661210804	1		HEX LOCK NUT M12 10FLZN ISO7040

ENU / 2016-01-22

3. CONTROLS, ELECTRICAL
3.1 CAMERA ASSY CCTV W/BRACKET (81041871) Rev A

CAMERA ASSY CCTV W/BRACKET (81041871) Rev A				
Pos.	Part	BOM Qty.	Foot Note	Description
1	2528070	1		EYE BOLT 1/4-20 UNC 2A X 1 WMS EB
2	810044730	1		CAMERA CCTV AUTOFOCUS ZOOM
3	810153150	1		BRACKET OIL DAMPED BRACKET
4	810153162	1		BRACKET WELDMENT BOOM TOP CAMERA
5	7126211353	4		HHCS M12X30 8.8 FLZN 4017
6	7951210210	4		L WASHER 12 ST DIN 7980
7	81039262	1		WIRING HARNESS CCTV 7P WJT3
8	6670070	5		STRAP NYLON CABLE TIE 7.4

ENU / 2016-01-22

3. CONTROLS, ELECTRICAL
3.3.1 CONSOLE LEFT HAND ASSY (810197471) Rev D

LIGHT ASSY CONSOLE BACKLIGHT 24VDC (810174260) Rev B				
Pos.	Part	BOM Qty.	Foot Note	Description
1	810174250	1		LAMP LED 24VDC WHITE
2	5725980	1		RECEPTACLE 2 POLE WITH PINS
3	6806940	2		TERMINAL PIN CONTACT MALE

ENU / 2016-01-22

3. CONTROLS, ELECTRICAL
3.3.2 CONSOLE RIGHT HAND ASSY (81037044) Rev E

LIGHT ASSY CONSOLE BACKLIGHT 24VDC (810174260) Rev B				
Pos.	Part	BOM Qty.	Foot Note	Description
1	810174250	1		LAMP LED 24VDC WHITE
2	5725980	1		RECEPTACLE 2 POLE WITH PINS
3	6806940	2		TERMINAL PIN CONTACT MALE

ENU / 2016-01-22

3. CONTROLS, ELECTRICAL
3.4 ESI BOOM WIRING (810253531) Rev C

ESI BOOM WIRING (810253531) Rev C				
Pos.	Part	BOM Qty.	Foot Note	Description
1	5469560	4		NUT PANEL 1.69-18 UNEF-2B
2	7114330	4		WASHER LOCK 1.70
3	810334830	1		WIRING HARNESS WBT1
4	810259481 → page 3-37	1		ESI BOOM TOP
5	6670070	22		STRAP NYLON CABLE TIE 7.4
6	6670080	8		STRAP PLASTIC TIE 15-1/8

ENU / 2016-01-22

3. CONTROLS, ELECTRICAL
3.4.1 ESI BOOM TOP (810259481) Rev D

LIMIT SWITCH SUBASSY (810238652) Rev C				
Pos.	Part	BOM Qty.	Foot Note	Description
1	3643870	1		ELEC CONNECTOR MALE 3 POLE 13 AMP SEALED
2	4716820	1		CORD GRIP .50 NPT .312 TO .437 CHORD
3	5726060	1		PLUG ELEC LOCK W3P
4	6806940	3		TERMINAL PIN CONTACT MALE
5	810161270	1		SWITCH LIMIT
6	810070200	1 FT		TUBING POLYOLEFIN 4.1 SHRINK RATIO
20	2971820	2 FT		CABLE WIRE 16 AWG 3 CONDUCTOR TYPE SDN
21	2972110	1 FT		CABLE WIRE 18 AWG XLPE TYPE TXL BLUE

ENU / 2016-01-22

3. CONTROLS, ELECTRICAL
3.6 SWITCH ROCKER DRUM 2 CAB (810258071) Rev B

SWITCH ROCKER DRUM 2 CAB (810258071) Rev B				
Pos.	Part	BOM Qty.	Foot Note	Description
1	7872100190	1		SWITCH ROCKER PARK BRAKES

ENU / 2016-01-22

3.11 SWITCH ROCKER CAMERA LIGHTS CAB (810258181) Rev B

SWITCH ROCKER CAMERA LIGHTS CAB (810258181) Rev B				
Pos.	Part	BOM Qty.	Foot Note	Description
1	7872100192	1		SWITCH ROCKER WORK LIGHTS

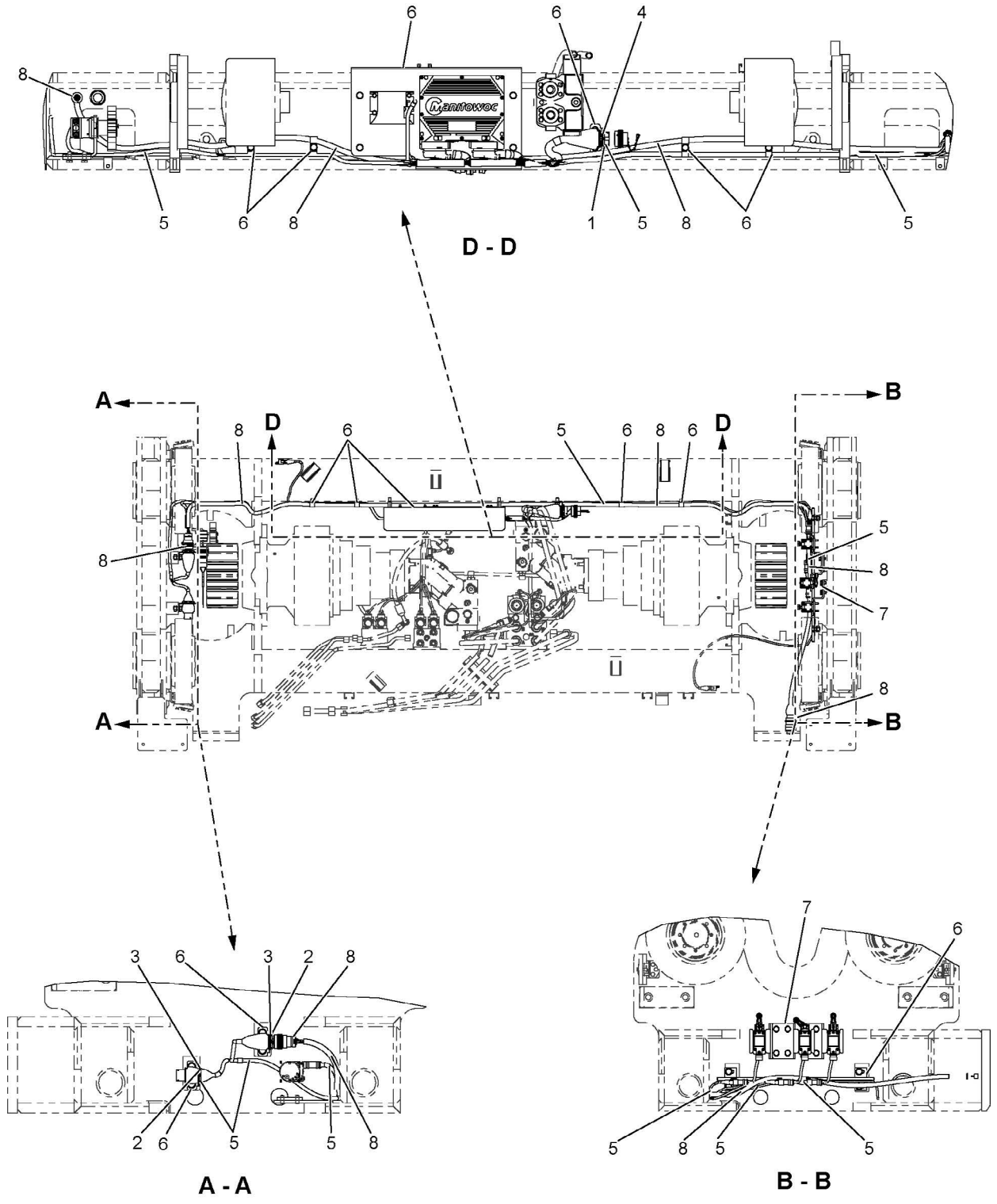
ENU / 2016-01-22

3. CONTROLS, ELECTRICAL
3.14 ESI BOOM BUTT (810259451) Rev E

ESI BOOM BUTT (810259451) Rev E				
Pos.	Part	BOM Qty.	Foot Note	Description
1	5469670	2		NUT PANEL 1.50" -18
3	7114320	2		WASHER LOCK 1.5
5	810249050	1		WIRING HARNESS WBB2
11	810348300	1		ELEC CABLE WN13500T
12	810282512	1		BRACKET RECEPTACLE
13	810348280	1		WIRING HARNESS WBB1
14	810291390	1		SENSOR ANGLE MEMS 200 DEG
15	7126131153	4		HHCS 5 X 20.8.8 FULL THREAD
18	7126211453	2		HHCS M12X35 8.8 FLZN 4017
20	7661130003	4		HEX NUT 5 8 ISO 4032
23	7661210003	2		HEX NUT M12 8FLZN ISO4032
24	7951130014	8		F WASHER 5 ST ISO 7089
25	7951130210	4		L WASHER 5 ST DIN 7980
30	7951210210	2		L WASHER 12 ST DIN 7980
50	6670060	20		STRAP NYLON CABLE TIE 4.0
51	6670070	35		STRAP NYLON CABLE TIE 7.4
52	6670080	25		STRAP PLASTIC TIE 15-1/8

ENU / 2016-01-22

3. CONTROLS, ELECTRICAL
3.19 ESI VPC WIRING (810282121) Rev F



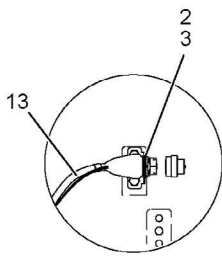
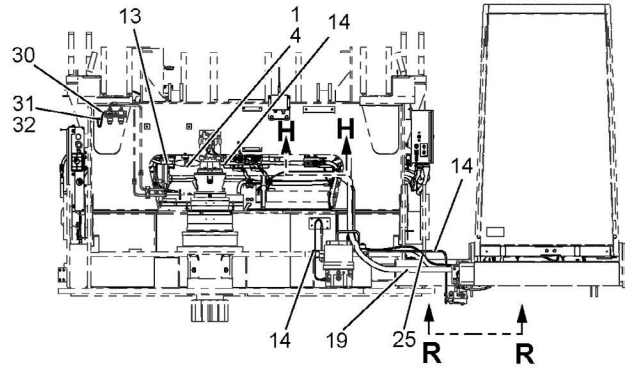
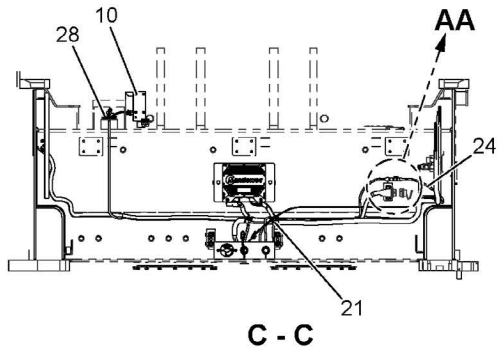
ENU / 2016-01-22

3. CONTROLS, ELECTRICAL
3.19.2 LIMIT SWITCH ASSY VPC (810293291) Rev H

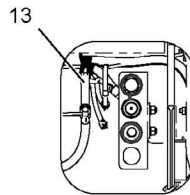
LIMIT SWITCH SUBASSY (810238652) Rev C				
Pos.	Part	BOM Qty.	Foot Note	Description
1	3643870	1		ELEC CONNECTOR MALE 3 POLE 13 AMP SEALED
2	4716820	1		CORD GRIP .50 NPT .312 TO .437 CHORD
3	5726060	1		PLUG ELEC LOCK W3P
4	6806940	3		TERMINAL PIN CONTACT MALE
5	810161270	1		SWITCH LIMIT
6	810070200	1 FT		TUBING POLYOLEFIN 4.1 SHRINK RATIO
20	2971820	2 FT		CABLE WIRE 16 AWG 3 CONDUCTOR TYPE SDN
21	2972110	1 FT		CABLE WIRE 18 AWG XLPE TYPE TXL BLUE

ENU / 2016-01-22

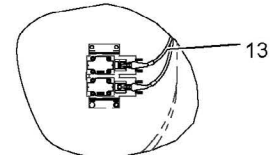
3. CONTROLS, ELECTRICAL
3.23 ESI ROTATING BED (810342821) Rev E



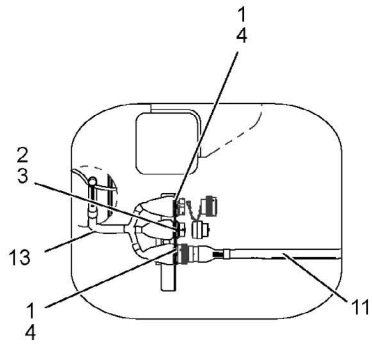
FF



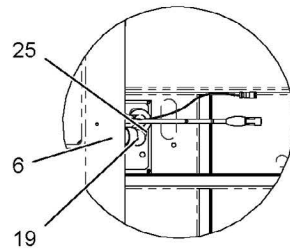
L - L



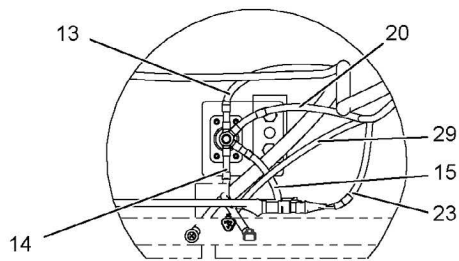
J - J



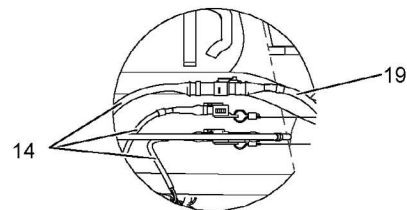
K - K



R - R



GG



S - S

ENU / 2016-01-22

3. CONTROLS, ELECTRICAL
3.23.2 ESI MOUNTING ASSEMBLY (810328761) Rev G

ESI MOUNTING ASSEMBLY (810328761) Rev G				
Pos.	Part	BOM Qty.	Foot Note	Description
48	810269472	1		BRACKET TERMINAL BLOCK
49	810271602	1		BRACKET RECEPTACLE
50	84020971 ▶ page 3-123	1		COVER BATTERY DISCONNECT
51	810274122	2		BRACKET CP CCS CONTROLLER
53	810296262	1		BRACKET CABLE GUIDE
54	810334472	1		BRACKET CCS NODE
55	810335052	1		BRACKET STD CCS CONTROLLER
56	810341211 ▶ page 3-125	1		ESI CAN RECEPTACLE MOUNT
57	810366502	1		BRACKET LIVE MAST LIMIT SWITCH
58	810367332	1		BRACKET RECEPTACLE SIZE 24 X 2
59	81040142	2		ACTUATOR LIMIT SWITCH
60	81040143	1		ACTUATOR LIMIT SWITCH
61	A095550	1		SENSOR MOTOR SPEED MAG PICK UP 7-32VDC
62	7128171654	10		SCR SKT HD M8-1.25 X 45 12.9PLN
63	7126211353	6		HHCS M12X30 8.8 FLZN 4017
64	810294122	1		BRACKET RECEPTACLE PROGRAM
65	810295552	2		BRACKET RECEPTACLE PROGRAM
66	A188472	1		ROD ADJUSTMENT 3.5 INCH
67	810167612	2		DOOR ACCESS HATCH
68	810288502	1		ROD ADJUSTMENT LESS NUT
69	81041517	1		BRACKET BULKHEAD
70	81041518	1		BRACKET ALARM
71	81041519	1		BRACKET HOSE STOWAGE
72	81041520	1		COVER BULKHEAD
73	81041521	1		LIMIT SWITCH BOOM STOP
74	7661190803	4		HEX LOCK NUT M10 8FLZN ISO7040
75	810137520	1		CABLE TIE TYPE HDM25
76	7951190210	2		L WASHER 10 ST DIN 7980
77	5483400	24		HEX LOCK NUT PA 10 -24UNC GR C
78	7111100611	24		SLOT PMS 10-24UNC X 0.75 GR 1
79	7095020	24		F WASHER #10 ST SAE
80	A033110	1 FT		RUBBER STRIP BLACK TRIM
81	A033110	1 FT		RUBBER STRIP BLACK TRIM
82	81042577	1		BRACKET SETUP TRANSCEIVER
83	7126191053	2		HHCS 10 X 16 8.8 FULL THREAD
85	81029825 ▶ page 3-127	1		KIT BASE/REMOTE 2.4 GHZ
86	81040466	2		HHCS M10 X 40 FULL THREAD
87	7126150853	4		HHCS M6X12 8.8 FLZN 4017

ENU / 2016-01-22

3. CONTROLS, ELECTRICAL
3.23.2 ESI MOUNTING ASSEMBLY (810328761) Rev G

ESI CAN RECEPTACLE MOUNT (810341211) Rev A				
Pos.	Part	BOM Qty.	Foot Note	Description
1	80042207	4		ELEC CONNECTOR MOUNT CLIP
2	810339962	1		BRACKET CAN RECEPTACLES
3	7126191253	4		HHCS M10X25 8.8 FLZN 4017
4	7661190003	4		HEX NUT M10 8FLZN ISO4032
5	7892100036	4		RECEPTACLE 3 WAY DT04-3P-
6	7951190220	4		L WASHER 10 ST DIN 127B

ENU / 2016-01-22

3. CONTROLS, ELECTRICAL
3.25 ENCODER ASSY VPC POSITION (81040002) Rev A

ENCODER ASSY VPC POSITION (81040002) Rev A				
Pos.	Part	BOM Qty.	Foot Note	Description
1	810258710	1		ENCODER ABSOLUTE
2	810264110	1		GEAR SPUR
3	810264122	1		SHAFT 44.45 X 55.00, CF 1018
4	810264132	1		BRACKET VPC TRAY ENCODER
5	810264142	1		PLATE 11 GA A-36
6	7126131353	4		HHCS FULL THREAD 5 X 30 8.8
7	7126151553	2		HHCS M6X40 8.8 FLZN 4017
8	7126191253	4		HHCS M10X25 8.8 FLZN 4017
9	7661130804	4		NUT LOCK NYL INS M5-0.8 ZC
10	7787151610	2		HSSS CUP M6 X 16 -45H
11	7951130014	8		F WASHER 5 ST ISO 7089
12	7951190014	4		F WASHER 10 ST ISO 7089

ENU / 2016-01-22

3. CONTROLS, ELECTRICAL
3.27 ESI 12M INSERT CCTV (81041734) Rev A

ESI 12M INSERT CCTV (81041734) Rev A				
Pos.	Part	BOM Qty.	Foot Note	Description
1	5911160	1		REEL CABLE FOR 350' OF 16/2 WIRE
2	81041735	1		ELEC CABLE WBR3 (CCTV)
3	7126191253	4		HHCS M10X25 8.8 FLZN 4017
4	7661190003	4		HEX NUT M10 8FLZN ISO4032
5	7951190014	4		F WASHER 10 ST ISO 7089

ENU / 2016-01-22

3. CONTROLS, ELECTRICAL
3.29 ESI CCTV DRUM 6 (81041880) Rev A

ESI CCTV DRUM 6 (81041880) Rev A				
Pos.	Part	BOM Qty.	Foot Note	Description
1	810144760	1		CAP SEAL MALE CCTV CABLE
2	810243950	1		CAMERA CCTV 69°
3	81038554	1		LIGHT ASSY WORK LED 10-48V
4	81040606	1		BRACKET CAMERA MOUNTING
5	81040609	1		BRACKET CAMERA MOUNT
6	81040610	1		BRACKET CCTV MOUNT
7	7126111053	4		SCR CP HX HD M4-0.7 X 16 8.8 ZC
8	7126191253	2		HHCS M10X25 8.8 FLZN 4017
9	7661110003	4		HEX NUT 4 6 ISO 4032
10	7661190003	2		HEX NUT M10 8FLZN ISO4032
11	7951110014	4		WASHER FLAT M4 ZC
12	7951110220	4		WASHER LOCK
13	7951190014	2		F WASHER 10 ST ISO 7089
14	7951190220	2		L WASHER 10 ST DIN 127B
15	810074470	1		CABLE ELEC CCTV 4 PIN 6 METER
16	A153390	2		CLAMP TUBE 88.9 DIA
17	81041882	1		WIRING HARNESS 2-POLE EXTENSION

ENU / 2016-01-22

4. POWER PLANT
4.1.1 COVER ASSY ENCLOSURE (810324152) Rev C

COVER ASSY ENCLOSURE (810324152) Rev C				
Pos.	Part	BOM Qty.	Foot Note	Description
1	810125342	1		LATCH ASSY LIFT & TURN COMPRESS
2	810324162	1		COVER ENCLOSURE WELDMENT
3	7661210804	1		HEX LOCK NUT M12 10FLZN ISO7040

ENU / 2016-01-22

4. POWER PLANT
4.1.6 COVER ASSY ENCLOSURE (81042535) Rev B

COVER ASSY ENCLOSURE (81042535) Rev B				
Pos.	Part	BOM Qty.	Foot Note	Description
1	81042508	1		COVER ASSY WELDMENT
2	810125342	1		LATCH ASSY LIFT & TURN COMPRESS
3	7661210804	1		HEX LOCK NUT M12 10FLZN ISO7040

ENU / 2016-01-22

4. POWER PLANT
4.2.2 GEAR BOX ASSY 450 HP (810248891) Rev F

GEAR BOX ASSY 450 HP (810248891) Rev F				
Pos.	Part	BOM Qty.	Foot Note	Description
1	810247190	1		PUMP HYD PIS 165CC EH24V
2	810247200	1		PUMP HYD OL PIS VR 45CC L
3	810247210	1		PUMP HYD OL GEAR 19.6CC L
4	810247220	1		PUMP HYD PIS 165CC EH24V
5	810247230	1		PUMP HYD CL PIS VAR 100CC
6	810247240	1		PUMP HYD PIS 145CC EH24V
7	81040655	1		PUMP HYD VANE 122CC L
8	810247260	1		PUMP HYD OL PIS VAR 145CC
9	810249250	1		VALVE QUICK DRAIN .75-14 NPT
10	810249690	2		O-RING 126.5 X 122.9 X 1.8 W
11	810253250	1		O-RING 101.32 OD X 1.78 DIA.
12	810254560	1		GEAR BOX 450 HP, 1800 RPM
14	6126610	2		HHCS 5/8-11UNC X 1.50 GR 5
15	7127191253	2		HHCS M10X25 10.9 FLZN4017
16	7127211353	6		HHCS M12X30 10.9 FLZN4017
17	7127271650	16		HHCS 20 X 45 10.9
18	A081330	1		O-RING 3.239X0.07
19	A081360	4		O-RING 5.905X0.118
20	7951190015	2		WASHER HARDENED M10
21	7951210015	6		F WASHER 12 HST ISO 7089
22	7114290	2		F WASHER 5/8 ST
23	7951270015	16		WASHER HARDENED M20 ZC

ENU / 2016-01-22

4. POWER PLANT
4.3 EXHAUST SYST QSG12 TIER 4 FINAL (810239621) Rev F

EXHAUST SYST QSG12 TIER 4 FINAL (810239621) Rev F				
Pos.	Part	BOM Qty.	Foot Note	Description
1	810132150	1		CLAMP U BOLT 5.00"
3	810226162	2		BRACKET SCR TOP RH
4	810266670	1		FILTER ASSY
5	810266680	1		FILTER ASSY
6	810268760	1		TUBE PREFORMED
7	810268770	1		ELBOW EXHAUST
8	810271570	1		PIPE EXHAUST 5.0 DIA X .065W STAINLESS
11	810276182	2		BRACKET DPF BOTTOM
12	810276192	2		BRACKET DPF TOP
13	810276202	2		BRACKET SCR BOTTOM
14	810276212	1		BRACKET LOWER EXHAUST MOUNT
15	810276222	2		BRACKET VERTICAL EXHAUST MOUNT
16	810276232	2		BRACKET HORIZONTAL EXHAUST MOUNT
18	810280652	2		BRACKET EXHAUST MOUNT LINK
19	810286300	2		GASKET
20	810286310	2		CLAMP
21	810286340	3		GASKET
22	810286350	3		CLAMP
23	7127191453	45		HHCS M10X35 10.9 FLZN4017
24	7661191103	45		HEX LOCK NUT M10 8FLZN ISO7042
25	7951190014	96		F WASHER 10 ST ISO 7089
27	810295302	1		BRACKET EXHAUST
28	810296220	2		CLAMP BAND 5.00 DIA
29	81040174	1		EXHAUST TUBE 90 DEG 127 MM
30	7127211453	6		HHCS M12X35 10.9 FLZN4017
31	7661211104	6		HEX LOCK NUT M12 10FLZN ISO7042
32	7951210014	12		F WASHER 12 ST ISO 7089
33	81041924	2		PLATE 4.0 X 50.0 X 150.0
34	81028922	1		BRACKET EXHAUST MOUNT LINK
35	7126191253	1		HHCS M10X25 8.8 FLZN 4017
36	7661190003	1		HEX NUT M10 8FLZN ISO4032
37	810142960	2		CLAMP U BOLT GUILLOTINE 6" SS
38	84025508	1		EXHAUST TUBE 152.4X1.7X1181.6
39	84025512	1		EXHAUST TUBE 5.00 OD X 0.065 WALL
40	84027214	1		PLATE 6X150X234
41	84027221	1		PLATE 6X235X400
42	84027502	1		PLATE 2.7X233.7X550.0
43	7127171253	4		HHCS M8X25 -10.9 ISO 4017
44	7661171104	4		HEX LOCK NUT M8 10FLZN ISO7042
45	7951170014	8		F WASHER 8 ST ISO 7089

ENU / 2016-01-22

4. POWER PLANT
4.5 COOLER ASSY 450 HP (810239701) Rev E

COOLER ASSY 450 HP (810239701) Rev E				
Pos.	Part	BOM Qty.	Foot Note	Description
44	7951240220	5		L WASHER 16 ST DIN 127B
45	A022310	1		REDUCER RUBBER 2.50 ID TO 2.25 ID
46	A023100	5		F WASHER SHIM 2.81 X 0.66 X 0.19 ST
47	A035990	10		CLAMP SPRING HEAVY DUTY 4.06-4.41 ID SS
49	A085840	1		CLAMP SPRING LGHT DUTY 2.31-2.61 ID SS
50	A117070	5		MOUNT VIBRATION ISOLATOR
51	A126990	2		CLAMP EXHAUST 4.00 DIA U-BOLT
52	810029990	2		FITTING 90 DEG .25 NPT X .38 HOSE BARB
53	810152620	1		SENSOR COOLANT LEVEL
54	810223090	4		CLIP NUT M10-1.5
55	810294242	2		PANEL ENCL COOLER
56	810294252	1		PANEL ENCL COOLER
57	810294262	2		PANEL ENCL COOLER
58	810294272	2		PANEL ENCL COOLER
59	810294282	1		PANEL ENCL COOLER
60	810294292	2		PANEL ENCL COOLER
61	6926560	1 FT		TRIM LOC 100.0 LG
62	810294782	1		PANEL ENCL COOLER RUBBER
63	810294792	1		PANEL ENCL COOLER RUBBER
64	810295532	3		BRACKET COOLER TOP MOUNT
65	810295572 ➡ page 4-47	1		PANEL ENCL ASSY COOLER BTM
66	810295582 ➡ page 4-49	1		PANEL ENCL ASSY COOLER BTM
67	810295592 ➡ page 4-51	1		PANEL ENCL ASSY COOLER BTM
68	7126191353	35		HHCS M10X30 8.8 FLZN 4017
69	7661190803	14		HEX LOCK NUT M10 8FLZN ISO7040
72	4280760	1		FITTING ADPTR SPECIAL .25 NPT X .38 BARB
74	4299770	1		FITTING 90 DEG STREET 1/4
76	810338550	1		CLAMP T BOLT .83 - .91
77	810249250	1		VALVE QUICK DRAIN .75-14 NPT
78	7951170014	2		F WASHER 8 ST ISO 7089

ENU / 2016-01-22

4. POWER PLANT
4.6.1 FUEL CIRCUIT APU STANDARD (81041516) Rev B

FUEL CIRCUIT APU STANDARD (81041516) Rev B				
Pos.	Part	BOM Qty.	Foot Note	Description
1	3455110	16		CLAMP TUBE 0.75 DIA
2	4069770	2		PIPE ELBOW 90 DEG .75 SST
3	4298330	5		FITTING NIPPLE I-E 24SA-12
4	7019170	2		VALVE BALL .75
5	7030730	2		VALVE SWING CHECK .75" 125# BRASS
6	81038145	2		TUBE PREFORMED .75 OD X .065 WALL C1010
7	81038146	2		TUBE PREFORMED .75 OD X .065 WALL C1010
8	81038147	2		TUBE PREFORMED .75 OD X .065 WALL C1010
9	7445121251	1		FITTING ADPTR STRT .75 X .75 NPT
10	7447121210	2		90 DEG UNION ELBOW - MALE ORS
11	7447121228	2		FITTING ADAPTER STRAIGHT -120RFS X 0.75
12	7567601015	1		HOSE ASSY .75 ID X 15.00 LG
13	7567601024	1		HOSE ASSY 7555502402 .75 ID X 24 LG
14	7567600066	1		HOSE ASSY .75 ID X 66 LG

ENU / 2016-01-22

4. POWER PLANT
4.9 EQUALIZER (810266481) Rev G

EQUALIZER (810266481) Rev G				
Pos.	Part	BOM Qty.	Foot Note	Description
1	810258220	11		SHEAVE ASSY 605.0 26 NYLON
2	810283772	1		EQUALIZER DEAD END CONNECTION
3	810283792	1		SPACER SHEAVE 16MM
4	810283800	2		BUSHING COMPOSITE 165.1OD X 150.3 ID
5	810283812	1		SHAFT 150.0DIA X 1157.0LG
7	810284132	1		RETAINER EQUALIZER SHAFT
8	810284142	1		RETAINER EQUALIZER SHAFT
9	810285552	1		PLATE ALIGNMENT
10	810285562	1		PLATE ALIGNMENT
12	7127171255	6		SFHCS M8X25 10.9 FLZN10642
15	81036660	1		SHIM 10 GA (0.134 IN)
16	7128241954	12		SHCS 16 X 60 12.9
17	7951240220	18		L WASHER 16 ST DIN 127B
18	7128241754	6		SHCS 16 X 50 12.9

ENU / 2016-01-22

4. POWER PLANT
4.13 GENERATOR ASSY PREP (81037290) Rev C

GENERATOR ASSY PREP (81037290) Rev C				
Pos.	Part	BOM Qty.	Foot Note	Description
1	81037291 ➡ page 4-77	1		HEATER APU
2	81037292 ➡ page 4-79	1		AIR COND ASSY APU
3	81037293 ➡ page 4-81	1		FUEL CIRCUIT APU
4	81041768 ➡ page 4-83	1		ESI APU PREP
5	1953192	2		PIN 1 HOLE W/HD .75 DIA X 3.26 LG
6	5621500	2		PIN COTTER 3/8 DIA X 3.00 LG
7	5638170	2		PIN HAIRPIN COTTER .148 DIA X 2.69 LG
8	5638740	2		PIN 1 HOLE W/HD 1.50 DIA X 3.30 LG
9	7127271753	2		HHCS FULL THREAD 20 X 50 10.9
10	7661270004	2		HEX NUT M20 10FLZN ISO4032

ENU / 2016-01-22

ENU / 2016-01-22

4. POWER PLANT
4.15.2 HOSE ASSY FUEL APU RETURN (81041524) Rev B

HOSE ASSY FUEL APU RETURN (81041524) Rev B				
Pos.	Part	BOM Qty.	Foot Note	Description
1	4282320	1		FITTING ADPTR STRT 120RFS X 120RB
2	4282380	1		FITTING ADAPTER 90 DEG -120RFS/-120R
3	810186910	2		NAMEPLATE ID TAG ROUND #091
4	81036803	2		Q DISCON FITTING HYD COUPLER 12 ORB-12
6	81039797	2		DUST PLUG QD 12
8	7567600051	1		HOSE ASSY .75 ID X 051 LG

ENU / 2016-01-22

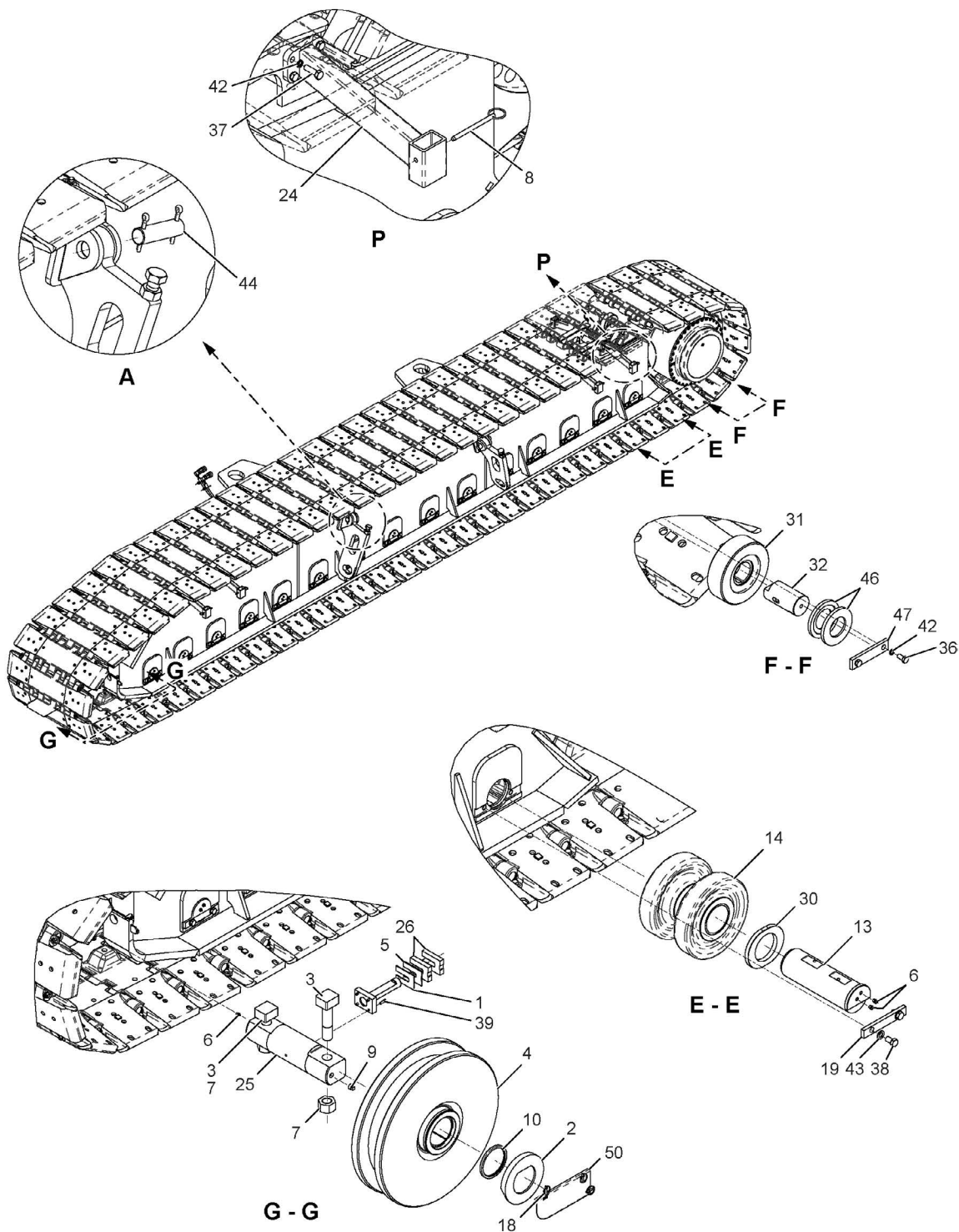
5.2.1 JOINT ROTATING UNION SWVL W/WEAR BANDS (810090270) Rev B

JOINT ROTATING UNION SWVL W/WEAR BANDS (810090270) Rev B				
Pos.	Part	BOM Qty.	Foot Note	Description
1	90018510	1		SEAL KIT 81009027 ROT JOINT

ENU / 2016-01-22

5. LOWERWORKS

5.7 CRAWLER ASSEMBLY (810311609) Rev E



ENU / 2016-01-22

5. LOWERWORKS
5.8 CRAWLER GREASE GUARD ASSY (810329249) Rev B

CRAWLER GREASE GUARD ASSY (810329249) Rev B				
Pos.	Part	BOM Qty.	Foot Note	Description
1	810265622	1		GUARD CRAWLER GREASE
2	810265632	1		GUARD CRAWLER GREASE
3	810265642	1		GUARD CRAWLER GREASE
4	810276370	6		PIN QUICK RELEASE SAFETY .31 DIA X 1.25LG
5	810357752	4		GUARD TOP ROLLER GREASE CUT
6	7126151153	8		HHCS M6X20 8.8 FLZN 4017
7	7951150014	8		F WASHER 6 ST ISO 7089

ENU / 2016-01-22

5. LOWERWORKS
5.9.3 PUMP GREASE 24VDC/2 .0 A (810268840) Rev C


PUMP GREASE 24VDC/2 .0 A (810268840) Rev C				
Pos.	Part	BOM Qty.	Foot Note	Description
1	4285540	1		FITTING LUBE ELBOW
2	4292250	1		FITTING SERVICE TEE
3	4298860	1		ADAPTER EXPANDER .125 X .25
4	7034390	1		VALVE PRESSURE RELIEF 270864
5	84024314	1		PRESSURE SWITCH VAR. 1200-4500 PSI
6	810242270	1		PUMP GREASE 24VDC/2.0A
8	A163440	1		FITTING ADAPTER
9	A163460	1		FITTING ADAPTER
10	A163470	1		HOSE ASSY .25 X 18.00 LG
11	A163480	2		GREASE PUMP ELEMENT 7MM
12	A172160	1		FITTING

ENU / 2016-01-22

ATTACHMENTS				
Pos.	Part	BOM Qty.	Foot Note	Description
10	1687792 ➔ page 6-5	1		INDICATOR BOOM FLANGE
20	1759161 ➔ page 6-7	1		DECAL DANGER BOOM SECTIONS
30	810088299 ➔ page 6-9	1		SIGN BOOM MANITOWOC 790 X 3070
260	810239861 ➔ page 6-11	1		MAST RAISING ASSY, LIVE
270	810239871 ➔ page 6-15	1		MAST ASSY LIVE MAST
500	810256531 ➔ page 6-23	1		BOOM STOP ASSY #500
960	810277191 ➔ page 6-25	1		TOP ASSY #500, 10.0 M
980	810277361 ➔ page 6-29	1		POINT #500, LOWER ASSY
1010	810277671 ➔ page 6-31	1		GUIDE WIRE ROPE ASSY
1020	810278031 ➔ page 6-39	1		INSERT ASSY 12M H #500
1030	810278081 ➔ page 6-41	1		INSERT ASSY 12M #500
1040	81027811 ➔ page 6-43	1		INSERT ASSY 12M EQ M #500
1060	810278171 ➔ page 6-45	1		INSERT ASSY #500 12M W/SUSP
1070	810278201 ➔ page 6-47	1		INSERT ASSY 6M #500
1080	810279001 ➔ page 6-49	1		CATWALK #500 12M M INSERT
1100	810279461 ➔ page 6-51	1		GUIDE ASSY DRUM 6 UPPER
1110	810279491 ➔ page 6-55	1		GUIDE ASSY DRUM 6 LOWER
1150	810280361 ➔ page 6-59	1		BUTT ASSY #500 8.00 M
1195	81028313 ➔ page 6-61	1		PIN PULLER MAST & EQUALIZER
1200	810283141 ➔ page 6-65	1		HINGE ASSY EQUAL AND MAST
1210	810283151 ➔ page 6-69	1		MAST EQ & DRUM ASSY
1320	810290221 ➔ page 6-73	1		GUIDE ASSY DRUM 2,3 LOWER
1330	810290361 ➔ page 6-77	1		CATWALK ASSY #500, BOOM TOP
1450	810295371 ➔ page 6-79	1		INSERT LUFF JIB PREP-12M

ENU / 2016-01-22

6. ATTACHMENTS
6.4 MAST RAISING ASSY, LIVE (810239861) Rev B

MAST RAISING ASSY, LIVE (810239861) Rev B				
Pos.	Part	BOM Qty.	Foot Note	Description
1	5621780	2		PIN COTTER 1/2 DIA X 5.00 LG
2	810012832	2		PLATE KEEPER 16.0 MM
3	810224450	4		F WASHER SHIM 5.50 X 2.56 X 0.10 ST
4	810224460	4		F WASHER SHIM 5.50 X 2.56 X 0.06 ST
5	810281592	2		RETAINING RING 224.0 DIA
6	810281602	2		RETAINING RING 224.0 DIA
7	810281632	2		ARM LIVE MAST RAISING
8	810288952	2		PIN 1 HOLE W/HD 63.0 DIA X 176.0 LG
9	810288972	2		PIN KEEPER 63.5 DIA X 260.0 LG
10	810289052	2		SPACER .38 THK (INCH)
11	810292352	4		ROD THREADED 30.0 DIA
12	810292372	2		ARM LIVE MAST RAISING
13	810292502	4		SPACER 50.8 X 21.0 X 10
14	810294652	4		SPRING 50.8 OD X 25.4 ID X 203.2 LG
15	810295032	4		SPACER 50.8 X 26.0 X 40
16	810295042	2		GUARD MAST RAISING ARM
17	7126151153	8		HHCS M6X20 8.8 FLZN 4017
18	7126271653	4		HHCS M20X45 8.8 FLZN 4017
19	7127241855	6		SFHCS 16 X 55 10.9
20	7127242255	6		SFHCS 16 X 75 10.9
21	7661150803	8		HEX LOCK NUT M6 8FLZN ISO7040
22	7661270804	4		HEX LOCK NUT M20 10FLZN ISO7040
23	7661290003	4		HEX NUT M24 8FLZN ISO4032
24	7951150014	8		F WASHER 6 ST ISO 7089
25	7951270210	4		L WASHER 20 ST DIN 7980
26	A055540  page 6-13	2		CYL HYD 6.00 BORE X 60.00 STROKE
27	4290100	2		FITTING LUBRICATION .25NPT

ENU / 2016-01-22

6. ATTACHMENTS
6.5.2 ESI LIVE MAST (810333891) Rev D

ESI LIVE MAST (810333891) Rev D				
Pos.	Part	BOM Qty.	Foot Note	Description
1	7661130004	4		NUT HEX M5-0.8 10 PLN
2	7126131153	4		HHCS 5 X 20.8.8 FULL THREAD
3	7951130014	4		F WASHER 5 ST ISO 7089
4	7951130210	4		L WASHER 5 ST DIN 7980
5	810291390	1		SENSOR ANGLE MEMS 200 DEG
6	6670060	40		STRAP NYLON CABLE TIE 4.0
7	810249152	1		BRACKET ANGLE SENSOR
8	7126191053	2		HHCS 10 X 16 8.8 FULL THREAD
9	7951190210	2		L WASHER 10 ST DIN 7980
10	810334710	1		WIRING HARNESS WRM1
11	810269550	1		CHANNEL 25.4 DP X 558.8 LG
12	810281900	1		SBCS M12 X 1.75 X 50 18-8 SS
13	7661210003	3		HEX NUT M12 8FLZN ISO4032
14	7951210014	1		F WASHER 12 ST ISO 7089
15	7951210220	3		L WASHER 12 ST DIN 127B
16	A020702	1		CLOSURE STRIP 22.00 LG
17	81041830	1		CABLE ELEC LIVE MAST GROUND
18	7107720	1		L WASHER I/E-T 1/4 ST
19	7127150753	1		HHCS FULL THREAD 6 X 10 10.9
20	5469670	1		NUT PANEL 1.50" -18
21	7114320	1		WASHER LOCK 1.5
22	810254602	1		BRACKET RECEPTACLE SIZE 18
23	7126211253	2		HHCS M12X25 8.8 FLZN 4017
24	810205450	1		DUST PLUG CAP HDC34-18
25	7951170014	4		F WASHER 8 ST ISO 7089

ENU / 2016-01-22

6. ATTACHMENTS

6.9 GUIDE WIRE ROPE ASSY (810277671) Rev H

GUIDE WIRE ROPE ASSY (810277671) Rev H				
Pos.	Part	BOM Qty.	Foot Note	Description
1	5636400	2		PIN SAFETY .243 OD X 5.00
2	810258190 ➡ page 6-33	1		SHEAVE ASSY 28MM DIA
3	810277682	1		GUIDE WIRE ROPE MACHINING
4	810293802	1		GUARD WIRE ROPE
5	810297302	1		SHAFT 129.95 X 420.0 LG
6	810297312	1		PLATE KEEPER 12.0 MM
7	810297332	1		SPACER 150 X 131 X 20
8	7127271453	2		HHCS FULL THREAD 20 X 35 10.9
9	810308940	4		SENSOR
10	810314852	1		BRACKET ASSY WIRE ROPE GUIDE
11	810314862	1		BRACKET ASSY WIRE ROPE GUIDE
12	810315121 ➡ page 6-35	2		SHEAVE SPEED SENSOR PREP
13	810315582	2		PLATE 5.0 MM A-36
14	7126131154	4		SHCS M5 -08 X 20 8.8
15	7126131254	4		SHCS M5-0.8 X 25 8.8
16	7126191253	4		HHCS M10X25 8.8 FLZN 4017
17	7661190004	2		HEX NUT M10 10FLZN ISO4032
18	7951190220	4		L WASHER 10 ST DIN 127B
19	81042564 ➡ page 6-37	1		ESI WIRE ROPE GUIDE
20	7951190014	2		F WASHER 10 ST ISO 7089

6. ATTACHMENTS

6.11 INSERT ASSY 12M #500 (810278081) Rev C

INSERT ASSY 12M #500 (810278081) Rev C				
Pos.	Part	BOM Qty.	Foot Note	Description
1	5620850	8		PIN COTTER 3/16 DIA X 1.50 LG
2	5621720	2		PIN COTTER 1/2 DIA X 4.00 LG
3	5636400	2		PIN SAFETY .243 OD X 5.00
4	84024200	8		SAFETY PIN 3.2 DIA X 50.8 LG
5	810249512	4		PIN 1 HOLE W/HD 65.0 DIA X 94.3 LG
6	810249552	4		LINK #500 BOOM
7	810253062	4		PIN 2 HOLE 19.1 MM DIA X 81.2 MM LG
8	810254722	4		CLAMP CABLE SPRING CLIP
9	810274012	2		STRAP 11.78M #500
10	810315992	4		BRACKET STRAP
11	810277822	2		PIN 2 HOLE 19.1 DIA X 287.0 LG
12	810277952	2		TIMBER 38.1X88.9X1325.0
15	810294422	2		BRACKET STRAP
16	810294472	4		BRACKET STRAP
17	810294520	2		BRACKET STRAP
18	7126151150	8		HHCS 6 X 20 8.8
19	7126191850	16		HHCS M10X55 8.8 FLZN 4014
20	7126191750	8		HHCS M10X50 8.8 FLZN 4014
21	7661150803	8		HEX LOCK NUT M6 8FLZN ISO7040
22	7661190803	24		HEX LOCK NUT M10 8FLZN ISO7040
23	7951150014	16		F WASHER 6 ST ISO 7089
24	7951190014	48		F WASHER 10 ST ISO 7089
25	A117992	4		PIN 2 HOLES 12.7 DIA X 93.0 LG
26	A118002	4		COLLAR 66 MM ID
27	A132942	2		PIN 1 HOLE W/HD 75.8 DIA X 160.4 LG
28	A165342	2		PIN 1 HOLE W/HD 63.50 DIA X 172.4 LO
29	5620640	4		PIN COTTER 5/32 DIA X 1.25 LG
30	7951270014	8		F WASHER 20 ST ISO 7089

ENU / 2016-01-22

6.16 GUIDE ASSY DRUM 6 UPPER (810279461) Rev A

GUIDE ASSY DRUM 6 UPPER (810279461) Rev A				
Pos.	Part	BOM Qty.	Foot Note	Description
1	5621320	4		PIN COTTER 5/16 DIA X 4.00 LG
2	5638030	2		PIN SAFETY .375 X 2.25 LG
3	810258190 → page 6-53	1		SHEAVE ASSY 28MM DIA
4	810279470	1		GUIDE MACHINING ZINC RICH PRIMER
5	810296122	2		PIN 2 HOLE 50.8 MM X 171.5 MM LG
6	810297312	1		PLATE KEEPER 12.0 MM
7	810309232	1		SHAFT 129.95 X 250.0 LG
8	810309242	2		SPACER 150 X 131 X 24
9	7127271453	2		HHCS FULL THREAD 20 X 35 10.9
10	A065692	1		GUARD WIRE ROPE 2.00 X 1.50 X 8.875

6.19 PIN PULLER MAST & EQUALIZER (81028313) Rev B

PIN PULLER MAST & EQUALIZER (81028313) Rev B				
Pos.	Part	BOM Qty.	Foot Note	Description
1	5638230	4		PIN SAFETY .25 DIA X 1.75 LG
2	810280402	2		BLOCK NYLON
3	810282839	2		PIN 150.0 OD X 304.0 LG
4	81028288	8		ROD D25.4 X 376.0 LG SS
5	81028289	2		BRACKET EQUALIZER PINPULLER
6	810290592	2		PIN 1 HOLE 130 DIA X 420 LG
7	81029076	6		ROD D25.4 X 370.0 LG SS
8	81029077	2		BRACKET MAST PINPULLER
9	81029097	2		RETAINER PIN
10	81037573	2		BLOCK NYLON
11	81041139	2		RETAINER PIN
12	81041898 → page 6-63	2		BUSHING SLEEVE ASSY
13	81041918	2		PIN 1 HOLE D32.0 X 260.0 LG W/H
14	81041920	2		BRACKET EQUALIZER ALIGNMENT
15	81041949	12		SHIM EQUALIZER SUPPORT
16	7126191353	20		HHCS M10X30 8.8 FLZN 4017
17	7126241953	4		HHCS M16X60 8.8 FLZN 4017
18	7127191555	24		SFHCS 10 X 40 10.9
19	7127271555	8		SFHCS 20 X 40 10.9
20	7661240804	18		HEX LOCK NUT M16 10FLZN ISO7040
21	7951190210	20		L WASHER 10 ST DIN 7980
22	7951240014	22		F WASHER 16 ST ISO 7089
23	81032778	2		CYL HYD EQUALIZER PIN PULLER
24	81032872	2		CYLINDER HYDR LIVE MAST PIN PULLER

6.21.1 SOCKET/WEDGE ASSY 1.00" (6462460) Rev C

SOCKET/WEDGE ASSY 1.00" (6462460) Rev C				
Pos.	Part	BOM Qty.	Foot Note	Description
1	9826220012	1		SOCKET (1")
2	9914100033	1		PIN W/COTTER
3	9826220014	1		WEDGE 1"
4	7312800000	1		CLIP

6.25 CATWALK ASSY #500, 8.0 M BOOM BUTT (810295781) Rev C

CATWALK ASSY #500, 8.0 M BOOM BUTT (810295781) Rev C				
Pos.	Part	BOM Qty.	Foot Note	Description
1	81016691	23		F WASHER GRIP STRUT DIAMOND PATTERN
2	810298372	1		CATWALK 965 MM X 2181 MM
3	810298382	2		CATWALK 965 MM X 2438 MM
4	810298392	1		CATWALK 965 MM X 1693 MM
5	810298402	1		CATWALK 241 MM X 1438 MM
6	810298412	1		CATWALK 241 MM X 409 MM
7	81037037	1		CATWALK 241.3 X 266.4
8	810302432	1		CATWALK 483 MM X 1124 MM
9	7114153664	23		C BOLT SQ GR 4 5/16-18UNC X 4.50
10	7660152500	23		HEX LOCK NUT PA 5/16-18UNC SS
11	7950150141	23		F WASHER 5/16 ST B18.21.1 NARROW
12	810301722	1		LADDER 371 MM X 2064 MM
13	7126191450	4		HHCS 10 X 35 8.8
14	7661190803	4		HEX LOCK NUT M10 8FLZN ISO7040
15	7951190014	8		F WASHER 10 ST ISO 7089

6.29 INSERT LJ PREP-12M HEAVY (810300081) Rev C

INSERT LJ PREP-12M HEAVY (810300081) Rev C				
Pos.	Part	BOM Qty.	Foot Note	Description
1	5620640	4		PIN COTTER 5/32 DIA X 1.25 LG
2	810208520	12		PIN COTTER HAIR 0.14 DIA X 3.38 LG
3	810253062	4		PIN 2 HOLE 19.1 MM DIA X 81.2 MM LG
4	810277822	4		PIN 2 HOLE 19.1 DIA X 287.0 LG
5	810294422	4		BRACKET STRAP
6	810294472	4		BRACKET STRAP
7	810303640	2		BRACKET STRAP
8	810315992	4		BRACKET STRAP
9	7126191850	20		HHCS M10X55 8.8 FLZN 4014
10	7661190803	20		HEX LOCK NUT M10 8FLZN ISO7040
11	7951190014	40		F WASHER 10 ST ISO 7089
12	7951270014	8		F WASHER 20 ST ISO 7089
13	A120121 → page 6-93	2		SHEAVE ASSY RIGGING WINCH

6.33 SHEAVE ASSY #500 LWR PT DE (810347941) Rev B

SHEAVE ASSY #500 LWR PT DE (810347941) Rev B				
Pos.	Part	BOM Qty.	Foot Note	Description
1	1715852	1		SHIM
2	1715862	1		SHIM
3	84028414 ▶ page 6-103	1		SHEAVE ASSY #500 DEAD END

6.35 INSERT LJ PREP 12M MED W/EQ (81036541) Rev A

INSERT LJ PREP 12M MED W/EQ (81036541) Rev A				
Pos.	Part	BOM Qty.	Foot Note	Description
1	5620640	4		PIN COTTER 5/32 DIA X 1.25 LG
2	810208520	8		PIN COTTER HAIR 0.14 DIA X 3.38 LG
3	810253062	4		PIN 2 HOLE 19.1 MM DIA X 81.2 MM LG
4	810277822	2		PIN 2 HOLE 19.1 DIA X 287.0 LG
5	810294422	2		BRACKET STRAP
6	810294472	2		BRACKET STRAP
7	810294520	2		BRACKET STRAP
8	810315992	4		BRACKET STRAP
9	810321122	2		BRACKET STRAP
10	7126191850	16		HHCS M10X55 8.8 FLZN 4014
11	7661190803	16		HEX LOCK NUT M10 8FLZN ISO7040
12	7951190014	32		F WASHER 10 ST ISO 7089
13	7951270014	8		F WASHER 20 ST ISO 7089

6.39.1 SHEAVE ASSY 30"FOR 1.25"WR FORGD OPTION1 (810338461) Rev A

SHEAVE ASSY 30"FOR 1.25"WR FORGD OPTION1 (810338461) Rev A				
Pos.	Part	BOM Qty.	Foot Note	Description
2	2250190	1		BEARING TAPER ROLLER 7.19 X 5.00 X 3.69
3	6227720	2		SEAL OIL 6.1095 X 7.1875 X .375
101	81033847	1		SHEAVE 30" OD 1.25 FORGED

ENU / 2016-01-22

6.44 TOP 10.0 M LUFF JIB PREP (81042719) Rev A

TOP 10.0 M LUFF JIB PREP (81042719) Rev A				
Pos.	Part	BOM Qty.	Foot Note	Description
1	810294422	4		BRACKET STRAP
2	810321682	2		BRACKET STRAP
3	7127191453	4		HHCS M10X35 10.9 FLZN4017
4	7126191850	8		HHCS M10X55 8.8 FLZN 4014
5	7661190803	12		HEX LOCK NUT M10 8FLZN ISO7040
6	7951190014	24		F WASHER 10 ST ISO 7089

5898830 (RECEPTACLE)	3-120	6124540 (HHCS 3/8-16UNC X 1.00 GR5)	3-44, 3-152
5899750 (RECEPTACLE 12V 20 AMP POWER SOURCE)	3-13	6124560 (HHCS 3/8-16UNC X 1.25 GR 5)	3-42
5911160 (REEL CABLE FOR 350' OF 16/2 WIRE)	3-102, 3-146	6124580 (HHCS 3/8-16UNC X 1.50 GR 5)	3-40
5948650 (RESISTOR 1K OHM .5 WATT 1%)	3-30	6124700 (HHCS 3/8-16UNC X 3.00 GR5)	2-289
5948660 (RESISTOR 220 OHM 1 WATT)	3-34	6124740 (HHCS 3/8-16UNC X 3.50 GR 5)	2-82
5965410 (RING SNAP 1.865 DIA)	6-18	6125140 (HHCS 7/16-14UNC X 2.25 GR 5)	4-31
5966920 (O-RING 2.040 X 1.484 X .139)	2-29, 2-143, 2-156, 2-209, 2-269, 2-285, 2-299	6125530 (HHCS 1/2-13UNC X 1.00 GR)	2-83
5966930 (O-RING 1.852 X 1.296 X .139 X 90)	2-82, 2-185, 2-221, 2-223, 2-229, 2-251, 2-289	6125570 (HHCS 1/2-13UNC X 1.50 GR 5)	5-8
5967160 (O-RING 3.915X3.359X.139X90)	2-283	6125590 (HHCS 1/2-13UNC X 1.75 GR 5)	4-72
5967600 (RETAINING RING EXT FOR 2.5"SHAFT .078THK)	2-19	6125610 (HHCS 1/2-13UNC X 2.00 GR 5)	2-143
5967950 (O-RING 2.415X1.859X.139X90)	2-187	6125790 (HHCS 1/2-13UNC X 4.50 GR 5)	2-289
5968010 (O-RING 2.790X2.234X.139X70)	2-283, 2-289	6126610 (HHCS 5/8-11UNC X 1.50 GR 5)	4-26, 4-31, 5-16
5969030 (RETAINING RING EXT FOR 4.75" SHAFT)	2-44	6126770 (HHCS 5/8-11UNC X 3.50 GR 5)	1-19
5992940 (RIVET BLIND .125 DIA)	1-19	6126910 (HHCS 5/8-11UNC X 6.50 GR 5)	5-48
6		6127170 (HHCS 3/4-10UNC X 1.75 GR)	4-72
6018270 (ROD END SPHERICAL (W/GREASE FIT)	4-72	6127270 (HHCS 3/4-10UNC X 3.00 GR 5)	5-8
6040740 (ROPE NYLON-WHITE 5/16 DIA)	5-48	6131010 (HHCS 1/4-28UNF X 0.50 GR 5)	3-120
6123510 (HHCS 1/4-20UNC X 0.50 GR 5)	1-19, 1-26, 1-63, 5-5	6144300 (HHCS 1-8UNC X 7.50 GR 8)	4-21
6123530 (HHCS 1/4-20UNC X 0.75 GR 5)	3-28	6146010 (HHCS 10 X 40 8.8)	1-26
6123540 (HHCS 1/4-20UNC X 0.88 GR 5)	1-5	6146230 (HHCS 20 X 55 8.8)	2-44, 2-75, 2-196
6123570 (HHCS 1/4-20UNC X 1.25 GR 5)	5-5	6148250 (SHCS 10-32UNF X 1.00 A574)	3-115
6123670 (HHCS 1/4-20UNC X 2.50 GR 5)	3-28	6148540 (SHCS 1/4-20UNC X 2.75 A574)	2-99, 2-107, 2-237
6124030 (HHCS 5/16-18UNC X 0.75 GR 5)	4-31	6149190 (SHCS 1/2-13UNC X 1.75 A574)	2-29, 2-289
6124050 (HHCS 5/16-18UNC X 1.00 GR 5)	5-33, 6-50, 6-78, 6-90, 6-96, 6-100, 6-114	6161640 (SLOT FMS 6-32UNC X 0.50 BRASS)	3-34
6124070 (HHCS 5/16-18UNC X 1.25 GR 5)	1-163, 1-165, 3-22, 3-48	6175860 (SLOT FMS 10-24UNC X 0.50 GR 1)	1-41
6124520 (HHCS 3/8 16UNC X 0.75 GR 5)	2-117, 2-187, 3-10, 3-34	6175880 (FMS SLOT 10-24UNC X 0.75 GR 1)	4-40
		6176260 (SLOT FMS 1/4-20UNC X 0.50 GR 1)	3-8, 3-10
		6177480 (SLOT RMS 6-32UNC X 0.63 GR 1)	1-50
		6177630 (SLOT RMS 8-32UNC X 0.50 GR 1)	3-13
		6177800 (SLOT RMS 10-24UNC X 1.75 GR 1)	3-42
		6177840 (SLOT RMS 10-24UNC X 0.38 GR 1)	3-22
		6183910 (SLOT PMS)	3-120

ENU / 2016-01-22

7555202001 (HOSE ASSY .38 ID X 20 LG)	2-156	7555209001 (HOSE ASSY CODED .375 ID X 90 LG)	2-142
7555202002 (HOSE ASSY .375 ID X 20.00 LG)	2-227	7555209801 (HOSE ASSY .375 ID X 98 LG) . . .	2-142
7555202041 (HOSE ASSY .375 ID X 20 LG) . . .	2-59	7555210302 (HOSE ASSY .375 ID X 103 LG)	2-156
7555202042 (HOSE ASSY .375 ID X 17 LG) . . .	2-59	7555211302 (HOSE ASSY .375 ID X 113 LG)	2-156
7555202301 (HOSE ASSY .375 ID X 23 LG) . . .	2-156	7555212802 (HOSE ASSY .38 ID X 128 LG)	2-131 to 132
7555202401 (HOSE ASSY .38 ID X 24 LG)	2-30, 2-227	7555213403 (HOSE ASSY .38 ID X 134 LG) . . .	2-191
7555202403 (HOSE ASSY .375 ID X 24 LG)	2-131, 2-210	7555214403 (HOSE ASSY .38 ID X 144 LG) . . .	2-191
7555202471 (HOSE ASSY .375 ID X 24 LG) . . .	2-156	7555214602 (HOSE ASSY .38 ID X 146 LG) . . .	2-131
7555202801 (HOSE ASSY .375 ID X 28 LG) . . .	2-156	7555227901 (HOSE ASSY .38 ID X 279 LG) . . .	2-132
7555202941 (HOSE ASSY .375 ID X 219 LG) . . .	2-58	7555228703 (HOSE ASSY CODED .38 ID X 287 LG)	2-132
7555203000 (HOSE ASSY .375 ID X 30 LG) . . .	2-131	7555301702 (HOSE ASSY .50 ID X 17 LG)	2-131
7555203003 (HOSE ASSY .375 X 30 LG)	2-210	7555301782 (HOSE ASSY CODED 0.50 ID X 17 LG)	2-247
7555203101 (HOSE ASSY .375 ID X 31 LG) . . .	2-30	7555301801 (HOSE ASSY .50 ID X 18 LG)	2-242
7555203201 (HOSE ASSY CODED F PORT FLUSHING)	2-227	7555301802 (HOSE ASSY .50 ID X 18 LG)	2-227
7555203270 (HOSE ASSY 0.375 ID X 32 LG)	2-30, 2-210	7555302001 (HOSE ASSY .050 ID X 18 LG) . . .	2-31
7555203402 (HOSE ASSY .375 ID X 34 LG) . . .	2-210	7555302002 (HOSE ASSY .50 ID X 20 LG)	2-59
7555203501 (HOSE ASSY .38 ID X 35 LG)	2-131, 2-209	7555302200 (HOSE ASSY .50 ID X 22.00 LG)	2-156
7555203503 (HOSE ASSY CODED .375 ID X 35 LG)	2-30	7555302300 (HOSE ASSY .50 ID X 23 LG X ST X ST)	2-142, 2-210
7555203541 (HOSE ASSY .375 ID X 35 LG) . . .	2-58	7555302302 (HOSE ASSY .50 ID X 23 LG)	2-290
7555203601 (HOSE ASSY .38 ID X 36 LG)	2-209	7555302401 (HOSE ASSY .50 ID X 24 LG)	2-48, 2-59
7555204001 (HOSE ASSY .375 ID X 40 LG) . . .	2-79	7555302501 (HOSE ASSY 7555302501 .50 ID X 25 LG)	2-210, 2-242
7555204103 (HOSE ASSY CODED 0.375 ID X 41 LG)	2-210	7555302502 (HOSE ASSY .50 ID X 25 LG)	2-290
7555204201 (HOSE ASSY .375 ID X 42 LG) . . .	2-48	7555302601 (HOSE ASSY CODED 0.50 X 26 LG)	2-59, 2-156
7555204501 (HOSE ASSY .375 ID X 45 LG) . . .	2-131	7555302771 (HOSE ASSY .50 ID X 27 LG)	2-48
7555204601 (HOSE ASSY .375 ID X 46.00 LG)	2-225	7555303001 (HOSE ASSY 7555303001 .50 ID X 30 LG)	2-48
7555204902 (HOSE ASSY .38 ID X 49 LG)	2-131	7555303002 (HOSE ASSY .50 ID X 30 LG)	2-269
7555206602 (HOSE ASSY .375 ID X 66 LG STR X 45 EL)	2-156	7555303312 (HOSE ASSY .50 ID X 33 LG)	2-142
7555207342 (HOSE ASSY .375 ID X 73 LG) . . .	2-59	7555303441 (HOSE ASSY CODED .50 ID X 34 LG)	2-142
7555207542 (HOSE ASSY .375 ID X 75 LG) . . .	2-59	7555303471 (HOSE ASSY .50 ID X 34 LG)	2-191
7555207840 (HOSE ASSY .375 ID X 78 LG) . . .	2-58	7555303503 (HOSE ASSY CODED .50 ID X 35 LG)	2-30
7555207942 (HOSE ASSY .375 ID X 79 LG) . . .	2-59		
7555208002 (HOSE ASSY .375 ID X 80 LG) . . .	2-79		
7555208942 (HOSE ASSY .375 ID X 89 LG) . . .	2-59		

ENU / 2016-01-22

81016691 (F WASHER GRIP STRUT DIAMOND PATTERN)	1-117, 6-50, 6-78, 6-82, 6-90, 6-96, 6-100, 6-114	81018610 (NAMEPLATE ID TAG ROUND #010)	2-155, 2-289
810167612 (DOOR ACCESS HATCH)	3-116	81018611 (NAMEPLATE ID TAG ROUND #011)	2-155, 2-271
810169952 (BRACKET 4 HOLE 1.50X0.13X6.50)	6-50, 6-78, 6-90, 6-96, 6-100, 6-114	810186130 (NAMEPLATE ROUND #013)	2-174, 2-209, 2-251
810174250 (LAMP LED 24VDC WHITE)	3-16, 3-26	810186140 (NAMEPLATE ID TAG ROUND #014)	2-151, 2-191
810174260 (LIGHT ASSY CONSOLE BACK-LIGHT 24VDC)	3-13, 3-22	810186150 (NAMEPLATE TAG ROUND #015)	2-151, 2-191
810175730 (TERMINAL SOCKET DEUTSCH 0462-005-20141)	3-74	810186160 (NAMEPLATE)	2-131
810176770 (ORIFICE 8 LOHL6 .062 DIA ORFS)	2-156	81018616 (NAMEPLATE ID TAG ROUND #016)	2-155
810177940 (DECAL PERSONNEL TIE DOWN 1.5" DIA)	1-196 to 197, 6-129	810186170 (NAMEPLATE)	2-131
810178080 (SLEEVE POLYOLEFIN 3:1 SHRINK 0.19 ID)	3-30	81018617 (NAMEPLATE ID TAG ROUND #017)	2-155
810180540 (BLOCK NYLON)	1-85	810186200 (NAMEPLATE ID TAG ROUND #020)	2-174, 2-289
810182050 (DECAL (EN) 29CFR 1926.1423)	1-196 to 197	810186210 (NAMEPLATE ROUND #021)	2-29, 2-258
810182500 (ORIFICE 6 LOHL6 .062 DIA ORFS)	2-223	810186220 (NAMEPLATE ROUND #022)	2-29, 2-258
81018365X (FITTING ADPTR STRT 6 ORB FE X 06 ORB FE)	2-119	810186230 (NAMEPLATE ROUND #023)	2-29, 2-258
810185870 (PHIL RMS 10-32 X 0.50 SS)	3-120	810186250 (NAMEPLATE ROUND #025)	2-29, 2-258
81018592 (PHIL RMS 6-32UNC X 0.50 SS)	3-120	810186280 (NAMEPLATE ID TAG ROUND #028)	2-174, 2-209, 2-251
810186010 (NAMEPLATE ID TAG ROUND #001)	2-15	810186290 (NAMEPLATE ID TAG ROUND #029)	2-174, 2-209
810186020 (NAMEPLATE ID TAG ROUND #002)	2-15	810186300 (NAMEPLATE ID TAG ROUND #030)	2-174, 2-209
810186040 (NAMEPLATE ID TAG ROUND #004)	2-15	810186400 (NAMEPLATE ID TAG ROUND #040)	2-299
810186050 (NAMEPLATE ID TAG ROUND #005)	2-15	810186410 (NAMEPLATE ID TAG ROUND #041)	2-299
810186060 (NAMEPLATE ID TAG ROUND #006)	2-15	810186420 (NAMEPLATE ROUND #042)	2-299
810186070 (NAMEPLATE ID TAG ROUND #007)	2-15	810186430 (NAMEPLATE ROUND #043)	2-299
81018608 (NAMEPLATE ID TAG ROUND #008)	2-155, 2-271	810186450 (NAMEPLATE ROUND #45)	2-49, 2-122
81018609 (NAMEPLATE ID TAG ROUND #009)	2-155, 2-271	810186460 (NAMEPLATE ROUND #46)	2-49, 2-122
		810186470 (NAMEPLATE ROUND #47)	2-49, 2-122

ENU / 2016-01-22

810280082 (SHAFT 69.72MM X 57.15MM X 518.00MMLG)	2-71	810281860 (TUBE PREFORMED .50 OD X .083 WALL C1010)	2-242
810280092 (GUIDE WIRE ROPE)	2-71	810281900 (SBCS M12 X 1.75 X 50 18-8 SS)	2-139, 2-157, 2-174, 6-22
810280102 (BRACKET GUIDE WIRE ROPE)	2-71	810282032 (COVER PLATE CAB FRAME UNDERSIDE)	1-14
810280142 (BRACKET CYL MOUNTING)	1-14	810282092 (TUBE PREFORMED 2.00 OD X .083 WALL)	2-137
810280182 (LINK CAB CYLINDER)	1-14	810282121 (ESI VPC WIRING)	3-2
810280212 (SHIM PACK)	1-175	810282202 (BRACKET VPC CCM MOUNT)	3-90
810280332 (WEAR PAD VPC TROLLEY)	1-175	810282292 (BRACKET HANDRAIL SUPPORT)	1-59
810280352 (LINK #500 BOOM)	6-27	810282471 (ESI RCL LIGHT)	3-2
810280361 (BUTT ASSY #500 8.00 M)	6-2	810282512 (BRACKET RECEPTACLE)	3-76
810280402 (BLOCK NYLON)	2-19, 6-62, 6-66	810282812 (PIN 150 X 350)	6-66
810280421 (HYD LINES INSTL DRUM 1/3)	2-3	810282839 (PIN 150.0 OD X 304.0 LG)	6-62
810280432 (LINK #500 BOOM)	6-27	81028288 (ROD D25.4 X 376.0 LG SS)	6-62
810280450 (TURNBUCKLE ROD END (RH))	1-95	81028289 (BRACKET EQUALIZER PINPULLER)	6-62
810280472 (CATWALK 724 MM X 3410 MM)	6-78	810282910 (TUBE PREFORMED 3. OD X .065 WALL W/BEAD)	2-283
810280522 (CATWALK 483 MM X 1409 MM)	6-78	810282920 (TUBE PREFORMED 3. OD X .065 WALL W/BEAD)	2-283
810280532 (CATWALK 483 MM X 695 MM)	6-78	810282990 (TUBE PREFORMED 3.0 OD X .065 W W/BEAD)	2-283
810280570 (TIMBER 38.1 X 88.9 X 1080.0)	6-27, 6-44	81028313 (PIN PULLER MAST & EQUALIZER)	6-2
810280652 (BRACKET EXHAUST MOUNT LINK)	4-36	810283141 (HINGE ASSY EQUAL AND MAST)	6-2
810280762 (CATWALK 965 MM X 1524 MM)	6-78	810283151 (MAST EQ & DRUM ASSY)	6-2
810280850 (HOSE ASSY .31 ID X # 5541 X 16 LG)	4-45	810283562 (PIN 2 HOLE 15.875 DIA X 200.0 LG)	2-196
810280940 (TURNBUCKLE ROD END (LH))	1-95	810283572 (PIN KEEPER 25.4 DIA X 203.0 LG)	2-196
810280950 (TURNBUCKLE SLEEVE)	1-95	810283582 (PIN KEEPER 50.75 DIA X 203.0 LG)	2-196
810280972 (LEVER PIN PULLER BOOM BUTT)	1-95	810283772 (EQUALIZER DEAD END CONNECTION)	4-66
810281050 (CABLE .75-10X456.52 (IN))	6-50, 6-114	810283792 (SPACER SHEAVE 16MM)	4-66
810281592 (RETAINING RING 224.0 DIA)	6-12	810283800 (BUSHING COMPOSITE 165.1OD X 150.3 ID)	4-66
810281602 (RETAINING RING 224.0 DIA)	6-12	810283812 (SHAFT 150.0DIA X 1157.0LG)	4-66
810281612 (MAST SUPPORT ALIGNMENT)	6-17	810283890 (WIRING HARNESS WCE4)	3-98
810281632 (ARM LIVE MAST RAISING)	6-12	810283942 (RETAINER .50 INCH)	6-66
810281650 (TUBE PREFORMED 1.25 OD X .187 WALL 4130)	2-139		
810281660 (TUBE PREFORMED 1.25 OD X .187 WALL 4130)	2-139		
810281840 (TUBE PREFORMED 1.00 OD X .12 WALL C1010)	2-139		
810281850 (TUBE PREFORMED .50 OD X .083 WALL C1010)	2-242		

ENU / 2016-01-22

CLICK HERE TO **DOWNLOAD** THE COMPLETE MANUAL

- Thank you very much for reading the preview of the manual.
- You can download the complete manual from: www.heydownloads.com by clicking the link below



- Please note: If there is no response to CLICKING the link, please download this PDF first and then click on it.

CLICK HERE TO **DOWNLOAD** THE COMPLETE MANUAL