

# Manitowoc Cranes MACHINE COMPONENT INDEX

Date: July 06, 2021

Rev: 002

<u>Model Number</u> MLC300		<u>Serial Number</u> 3001111	
Item	Part	Description	Page
		<b>ROTATING STRUCTURE</b>	
1	81021912	CAB ASSY 24V CCS	3
	81022373	SEAT ASSY CAB	5
	810243544	CAB ASSY	7
	810218742	EXTERIOR EQUIP CAB ASSY	13
	81021878	DOOR ASSY CAB	17
	81021879	WINDOW ASSY CAB	19
	810219011	WINDSHIELD WIPER ASSY CAB	21
	A027140	ROLLER ASSY CAB DOOR FRONT TRO	23
	810302802	BRAKE ASSY CAB DOOR BRAKE	25
	A037000	ROLLER ASSY	27
	810218752	INTERIOR EQUIP CAB AIR DUCTS	29
	81021876	INTERIOR EQUIP CAB ASSY	31
	810218772	INSULATION ASSY CAB	33
	80113630	HVAC ASSY CAB	35
	84039648	HVAC KIT CAB INSIDE PARTS	37
	90046833	PEDESTAL UNIT	39
	810223752	MAT FLOOR ASSY CAB	41
	80113624	CONSOLE CONTROL ASSY CAB	43
	81019747	CONSOLE LEFT HAND ASSY	47
	A024680	CONTROLLER, JOYSTICK	51
	80123310	LIGHT ASSY CONSOLE BACKLIGHT	53
	81037044	CONSOLE RIGHT HAND ASSY	57
	84054782	DISPLAY CCS COLOR	61
	810240861	ESI CONSOLE RIGHT HAND	63
	A032981	ACCESSORY RADIO ASSY	65
	81036291	ESI R CONSOLE RECPT	67
	81039868	ESI CAN RECEPTACLE MOUNT	69
	80123310	LIGHT ASSY CONSOLE BACKLIGHT	71
	A02019	FOOT PEDAL ASSY THROTTLE CONTR	73
	81025906	ESI CAB INTERIOR WIRING	75
	80125411	ESI RCL LIGHT	77
1	80116194	VPC ROT BED WELD/MACHINE	79
	80115554	ROTATING BED VPC COMPONENTS	81

CLICK HERE TO **DOWNLOAD** THE COMPLETE MANUAL

- Thank you very much for reading the preview of the manual.
- You can download the complete manual from: [www.heydownloads.com](http://www.heydownloads.com) by clicking the link below



- Please note: If there is no response to CLICKING the link, please download this PDF first and then click on it.

CLICK HERE TO **DOWNLOAD** THE COMPLETE MANUAL

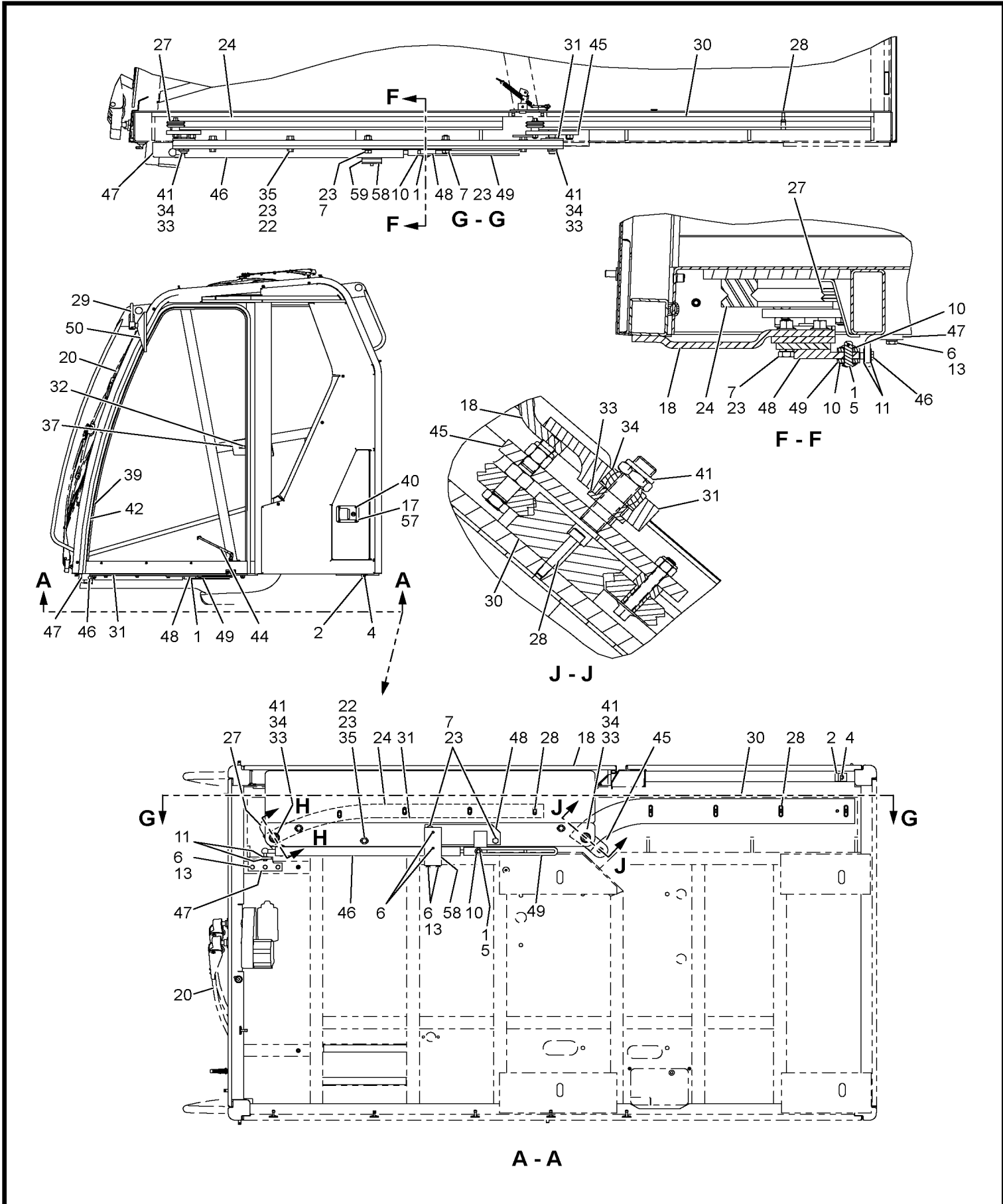
# Manitowoc Cranes MACHINE COMPONENT INDEX

Date: July 06, 2021

Rev: 002

<u>Model Number</u> MLC300		<u>Serial Number</u> 3001111	
Item	Part	Description	Page
	81041859	DECAL INSERT LIFTING	NO DWG
13	84050217	LUFFING JIB RIGGING LJ ON B65	NO DWG
14	81030008	INSERT LUFF JIB PREP 12M HEAVY	941
	A120120	SHEAVE ASSY RIG WINCH ZINC RIC	943
14	80112861	DECAL KIT MLC300 BOOM INSERT	945
	81041859	DECAL INSERT LIFTING	NO DWG
15	810319814	CHEEK WEIGHT KIT	947
15	80112861	DECAL KIT MLC300 BOOM INSERT	949
	81041859	DECAL INSERT LIFTING	NO DWG
16	81027946	GUIDE ASSY DRUM 6 UPPER	951
	810258190	SHEAVE ASSY	953
17	81027949	GUIDE ASSY DRUM 6 LOWER	955
	810258190	SHEAVE ASSY	957
18	81029022	GUIDE ASSY DRUM 2,3 LOWER	959
	810258190	SHEAVE ASSY	961
19	81029628	GUIDE ASSY DRUM 2,3 UPPER	963
	810258190	SHEAVE ASSY	965
22	81027719	TOP ASSY #500, 10.0 M	967
	81025353	ESI BOOM TOP WIRING	971
	81025948	ESI BOOM TOP	973
	84019148	A2B DEVICE MOD TWO SPRINGS	975
	810245702	A2B DEVICE	977
	1770784	LEVER	979
	80129368	LIMIT SWITCH MOLDED 3P SUBASSY	981
	810316421	ESI POSITION LIGHT & ANEMOMETE	983
	810209900	SENSOR WIND SPEED	985
	810250570	SUBASSY POSITION LIGHT	987
	81027767	GUIDE WIRE ROPE ASSY	989
	810258190	SHEAVE ASSY	991
	810315121	SHEAVE SPEED SENSOR PREP	993
	81042564	ESI WIRE ROPE GUIDE	995
	810290361	CATWALK ASSY #500, BOOM TOP	997
23	81027736	POINT #500 LOWER ASSY	999
24	81034794	SHEAVE ASSY #500 LWR PT DE	1001

# Manitowoc Cranes



810218742

(SHEET 2 OF 4)

Page 11

# Manitowoc Cranes

Description

**ROLLER ASSY CAB DOOR FRONT TRO**

**Assembly No.**

**A027140**

Revision: **B**

Item	FN	Part	Qty	Description
1		5462740	1	HEX JAM NUT 7/16-20UNF GR 5
2		A026250	2	WHEEL GUIDE,SEALED BEARING
3		A026260	1	BUSHING,STATIONARY
4		A026270	1	BUSHING,ECCENTRIC JOURNAL
5		A027230	1	HFLGS
6		A027240	1	NUT, HEX LOCK
7		A030050	1	PLATE
8		A030240	1	STUD
9		A031990	1	HEX LOCK NUT PA

# Manitowoc Cranes

Description  
HVAC ASSY CAB

**Assembly No.**  
**80113630**  
Revision: A

Item	FN	Part	Qty	Description
1		3453400	6	CLAMP
2		5460750	4	HEX NUT
3		6184170	4	PHIL TMS 8-32UNC X 0.50 GR 1
4		6206050	16	SCREW, PAN
5	+	84039648	1	HVAC KIT CAB INSIDE PARTS
6		7661190003	4	NUT, HEX 10MM
7		7951190220	4	L WASHER 10
8		A026392	1	BRACKET
9		A027330	4	INSERT, THREADED
10		A030320	6	SCREW TC PAN HEAD PHILLIPS
13		7103000	2	L WASHER MEDIUM
14		7111060610	2	Slot RMS #6-32UNCx0.75 G1
15		7660061100	2	NUT, #6-32UNC HEX

+ SEE FURTHER BREAKDOWN THIS GROUP

# Manitowoc Cranes

Description <b>CONSOLE LEFT HAND ASSY</b>				Assembly No. <b>81019747</b> Revision: <b>G</b>
Item	FN	Part	Qty	Description
1		3050130	1	CAP
2		3503420	1	CLOSURE
3		5460500	8	NUT, HEX
4		5468370	4	NUT, HEX HEAVY
5		5899750	1	RECEPTACLE
7		6184170	12	PHIL TMS 8-32UNC X 0.50 GR 1
8		6184180	3	PHIL TMS 10-32UNF X 0.50 GR 5
9		7103010	4	L WASHER MEDIUM
10		7103190	2	WASHER, LOCK MEDIUM
11		80050811	1	DISPLAY DRUM ID
12		80050812	1	CONTROLLER
13		810032492	1	BRACKET
14		80126090	1	COVER SWITCH ADAPTER
16		810248900	1	WIRING HARNESS
17		810199550	1	NAMEPLATE
18		810217182	1	PANEL ELEC
19		810219110	4	PHIL TMS
23	+	A024680	1	CONTROLLER, JOYSTICK
24		80126089	1	CONSOLE LEFT HAND MOLDED
25		A025990	1	NAMEPLATE
26		A026352	1	BRACKET
27		A028570	1	HSSS CUP
28		A030150	1	KNOB THROTTLE MOLDED BLACK
29		A030300	2	PHIL OMS
30		A124220	1	BUSHING
31		A124612	1	BRACKET
32		A171070	1	CABLE ELEC
33		810019600	1	NAMEPLATE
34		81042213	1	FOAM .032" POLYETHYLENE
35		81042213	1	FOAM .032" POLYETHYLENE
36		81042213	1	FOAM .032" POLYETHYLENE
37		810196960	4	F WASHER
38		84020658	4	FASTENER
39		5460520	1	NUT, HEX
40		A183320	1	WASHER, LOCK COUNTERSUNK
41		80122592	1	BRACKET LIGHT
42	+	80123310	1	LIGHT ASSY CONSOLE BACKLIGHT 80123310 LIGHT ASSY REPLACES OBSOLETE LIGHT ASSY 810174260. FIELD REPLACEMENT OF 810174260

+ SEE FURTHER BREAKDOWN THIS GROUP

# Manitowoc Cranes

Description

**CONSOLE RIGHT HAND ASSY**

**Assembly No.**

**81037044**

Revision: R

Item	FN	Part	Qty	Description
94		<b>80122592</b>	4	BRACKET LIGHT
95	+	<b>80123310</b>	4	LIGHT ASSY CONSOLE BACKLIGHT 80123310 LIGHT ASSY REPLACES OBSOLETE LIGHT ASSY 810174260. FIELD REPLACEMENT OF 810174260 REQUIRES BOTH 80122592 BRACKET AND 80123310 LIGHT ASSY AND MOUNTING HARDWARE.
96		<b>810173130</b>	1	MOLDING EDGE TRIM PVC

+ SEE FURTHER BREAKDOWN THIS GROUP

# Manitowoc Cranes

Description

**LIGHT ASSY CONSOLE BACKLIGHT**

**Assembly No.**

**80123310**

Revision: **A**

Item	FN	Part	Qty	Description
1		<b>5725980</b>	1	RECEPTACLE
2		<b>6806940</b>	2	TERMINAL, PIN
3		<b>80122544</b>	1	LIGHT 15 LED
4		<b>80122545</b>	1	LIGHT LED BASE

# Manitowoc Cranes

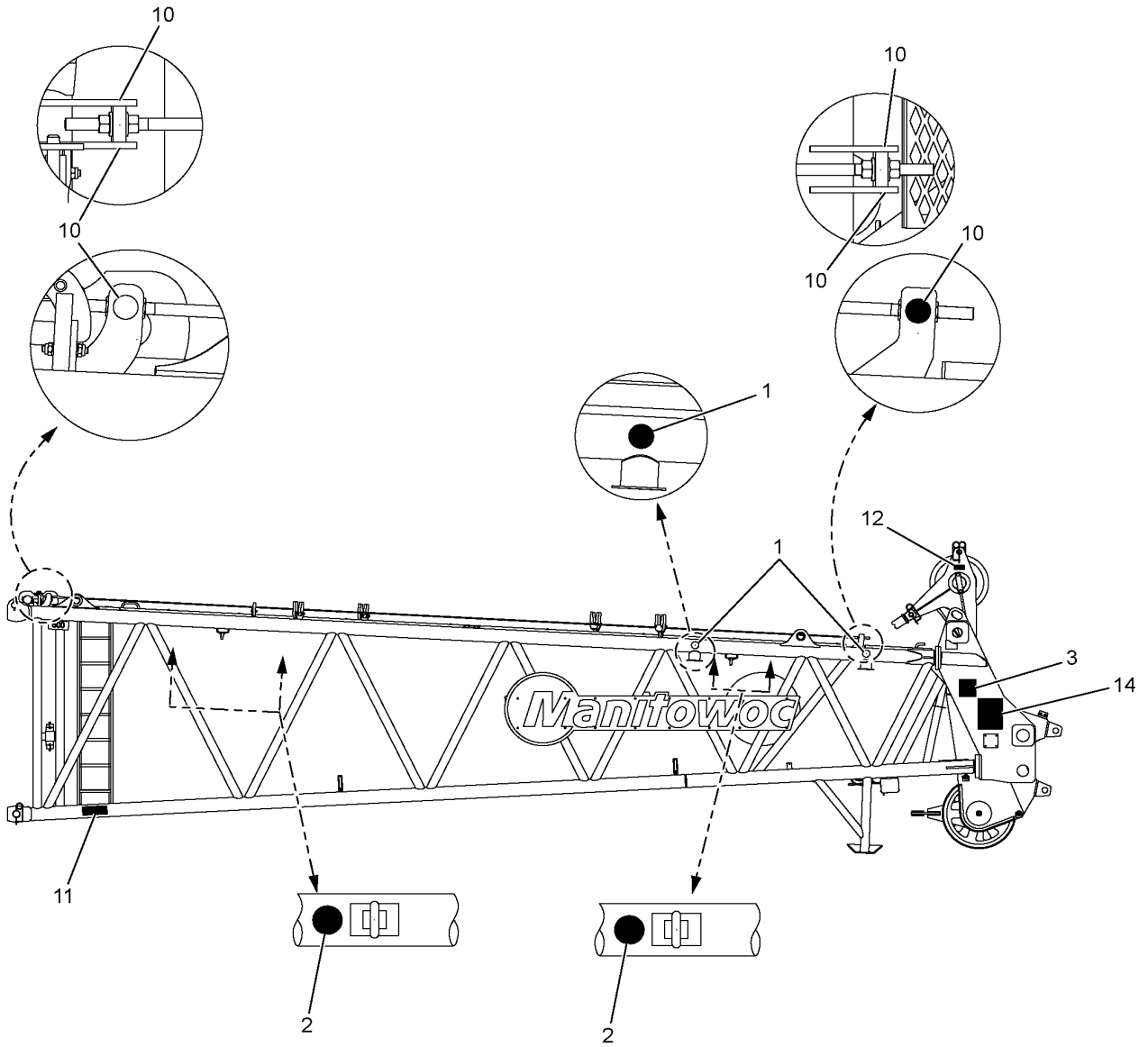
Description  
**DECAL KIT MLC300 STANDARD EN**

**Assembly No.**  
**80110863**  
**Revision: A**

Item	FN	Part	Qty	Description
1	+	<b>80106691</b>	1	DECAL ASSY ROT BED/CARBODY
2	+	<b>80106692</b>	1	DECAL ASSY CRAWLER
3	+	<b>80106693</b>	1	DECAL ASSY BOOM B10:500
4	+	<b>81033968</b>	1	DECAL ASSY HANDRAIL ID
5	+	<b>84020213</b>	1	DECAL ASSY PARTS BOX

+ SEE FURTHER BREAKDOWN THIS GROUP

# Manitowoc Cranes



# Manitowoc Cranes

Description

**SLEWING RING BRG ASSY**

Assembly No.

**81023984**

Revision: **B**

Item	FN	Part	Qty	Description
1		A115672	2	PIN SHEAR
2		A119120	168	WASHER FLAT HARDENED
3		A119130	168	SCREW CAP HEX HEAD
4		A105630	1	SLEWING RING BRG

# Manitowoc Cranes

Description <b>LUBE SYST TURNTABLE BEARING</b>				Assembly No. <b>80119013</b> Revision: <b>A</b>
Item	FN	Part	Qty	Description
1		3490060	3	CLIP
2		4298860	1	ADAPTER EXPANDER .125 X .25
3		7126151053	2	CAP SCREW, M6 X 16MM HEX HEAD
4		7126151753	2	CAP SCREW, M6X50 -8.8 ISO 4017
5		7126171053	9	HHCS M8X16 SS ISO 4017
6		7126171450	3	CAP SCREW, M8X35-8.8 HEX HEAD
7		7127151155	2	SFHCS M6X20 10.9
8		7661150003	2	NUT, HEX
9		7661150803	4	NUT NYLOC
10		7661170804	3	HEX LOCK NUT PA
11		7951150014	8	F WASHER
12		7951150220	2	L WASHER
13		7951170010	9	F WASHER 8 -HRC44-51 ISO 7089
14		7951170014	6	F WASHER
15		7951170220	9	WASHER, 8MM SPRING LOCK
16	*	80118719	1	PUMP GREASE 4L 24VDC 2.5A INCLUDES THE FOLLOWING PARTS
	*	80125036	1	CABLE ELEC GRACO AUTOLUBE
17	*	80118720	1	VALVE PRESSURE RELIEF PSI
18		80118725	1	HOSE 0.125 ID (200 FT ROLL)
19	*	80118991	1	TEE BRANCH 1/8 NPT
20	*	80118992	1	TEE 1/8 NPT RUN
21	*	80118993	2	FITTING HP ZERK 1/8 NPT
22	*	80118995	2	CAP ZERK FITTING
23	*	80118998	1	PLUG CSP OUTLET DOUBLER M10
24	*	80118999	21	FITTING G-LOCK X M10 CSP
25	*	80119000	23	FITTING 1/4 G-LOCK X 1/8 NPT
26	*	80119002	23	HOSE END 1/8 G-LOCK STRAIGHT
27	*	80119003	21	HOSE END 1/8 G-LOCK ELBOW
28	*	80119230	1	FITTING CROSS 1/8 NPSF FEMALE
29	*	80119234	1	FITTING NIPPLE 1/4 X 1/8 NPT
30	*	80124394	1	VALVE CSP DIVIDER 22 BANK
31		80124784	1	BRACKET CSP VALVE
32		84024314	1	PRESSURE SWITCH VAR. 1200-4500
33		A015950	6	RETAINER, P-CLIP
34		A040200	2	RETAINER
35		80119011	1	MOD TO 81033537 WRF2 HARNESS INCLUDES THE FOLLOWING PARTS
		80119470	1	CABLE ELEC GRACO AUTOLUBE
		810152040	1	PLUG ELECTRICAL
		84022974	1	HEAT SHRINK TUBING 16/4

\* REPAIR KIT AND/OR PART OF KIT

# Manitowoc Cranes

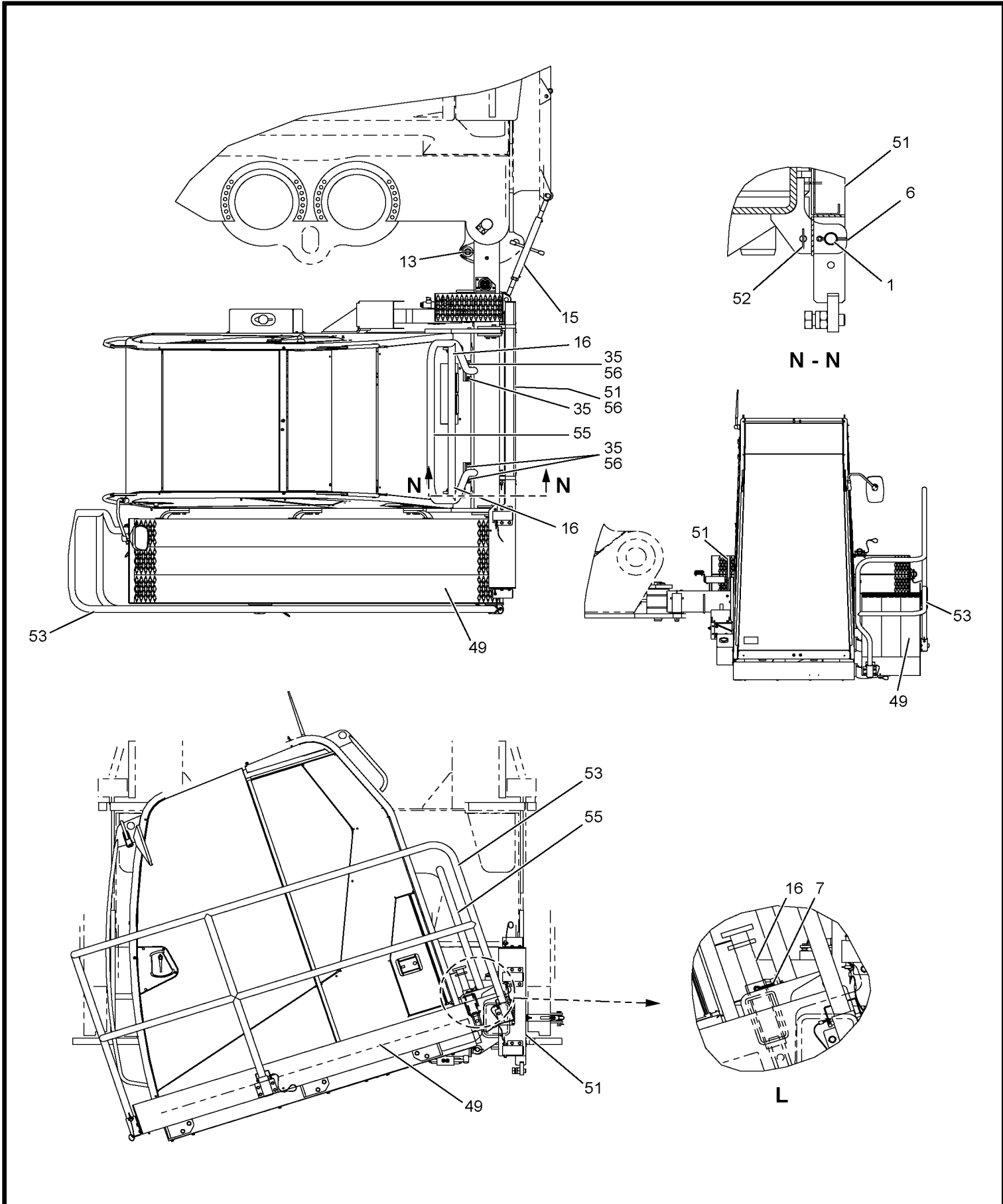
Description  
**MOTOR HYD PISTON**

**Assembly No.**  
**A056890**  
**Revision: E**

Item	FN	Part	Qty	Description
1		<b>9722220095</b>	2	PLUG INCLUDES THE FOLLOWING PARTS
		<b>9722220014</b>	1	O-RING
2		<b>9632220005</b>	2	PLUG
3		<b>9632220246</b>	1	GASKET, END CAP
4		<b>9722220239</b>	2	PLUG
5		<b>9632220208</b>	2	PLUG
6		<b>9632220035</b>	2	O-RING
7		<b>7031232</b>	1	KIT, CPRV CARTRIDGE (NEW PROD)
8		<b>9632220035</b>	1	O-RING
9		<b>7031235</b>	1	O-RING
10		<b>5834415</b>	1	SHAFT SEAL ASSEMBLY PART NOT SHOWN INCLUDES ITEMS 11 AND 12.
11		<b>9722221350</b>	1	SEAL, LIP
12		<b>9754220027</b>	1	O-RING
13	+	<b>5364675</b>	1	KIT, OVERHAUL/SEAL PART NOT SHOWN

+ SEE FURTHER BREAKDOWN THIS GROUP

# Manitowoc Cranes



810239780

(SHEET 4 OF 4)

Page 143

# Manitowoc Cranes

Description

**SWITCH AIRCRAFT WARNING CAB**

Assembly No.

**81025814**

Revision: **B**

Item	FN	Part	Qty	Description
1		7872100159	1	SWITCH, L-SERIES BEACON LIGHT

# Manitowoc Cranes

Description

**PLATFORM ASSY ROTATING BED**

**Assembly No.**

**84046402**

Revision: **A**

Item	FN	Part	Qty	Description
1		<b>810273130</b>	2	BRACKET HANDRAIL SUPPORT
2	+	<b>810293651</b>	2	LANYARD
3		<b>84045938</b>	1	PLATFORM WELDMENT ROT BED
4		<b>7126171353</b>	8	HHCS M8X30 8.8 ISO 4017
5		<b>7661170803</b>	8	NUT NYLOC M8
6		<b>7951170014</b>	16	F WASHER

+ SEE FURTHER BREAKDOWN THIS GROUP

# Manitowoc Cranes

Description  
**LANYARD**

**Assembly No.**  
**810293652**  
Revision: **B**

Item	FN	Part	Qty	Description
1		<b>810070010</b>	1	WIRE
2		<b>810070020</b>	2	SLEEVE
3		<b>A126470</b>	1	PIN SAFETY

# Manitowoc Cranes

Description  
**LANYARD ASSY PIN**

**Assembly No.**  
**810315282**  
Revision: **A**

Item	FN	Part	Qty	Description
1		<b>810070010</b>	1	WIRE
2		<b>810070020</b>	2	SLEEVE
4		<b>810314890</b>	1	PIN QUICK RELEASE 12.00MM X 50

# Manitowoc Cranes

Description

**PANEL EXHAUST SHIELD**

**Assembly No.**

**84043542**

Revision: **A**

Item	FN	Part	Qty	Description
1		<b>5460500</b>	1	NUT, HEX
2		<b>6184170</b>	1	PHIL TMS 8-32UNC X 0.50 GR 1
3		<b>7103190</b>	1	WASHER, LOCK MEDIUM
4		<b>84043543</b>	1	PLATE 2.7X90.0X271.1
5		<b>84043544</b>	1	PLATE 2.7X265.0X239.5
6		<b>7128170758</b>	2	SHSS 8X10 12.9 ISO 7379
7		<b>7659190021</b>	2	NUT CLIP M6-1.0 LONG
8		<b>7951150014</b>	2	F WASHER
9		<b>810244570</b>	1	PIN QUICK RELEASE

# Manitowoc Cranes

Description  
**MAST ASSY, LIVE MAST**

**Assembly No.**  
**81023987**  
**Revision: V**

Item	FN	Part	Qty	Description
3	+	81042537	4	STRAP ASSY
4		84038494	1	LOAD PIN
5		80128134	12	SHEAVE ASSY 605.0 26.0
6	+	81033389	1	ESI LIVE MAST
8		810281612	2	MAST SUPPORT
9		810284142	1	RETAINER
10		810288612	1	SPACER
11		810288622	1	SPACER
12		810288632	2	SPACER
13		810288642	1	SPACER
14		810288652	2	SPACER
17		810288682	1	SHAFT
20		81028887	1	MAST LIVE BRKT WELD
22		7127241353	16	HHCS FULL THREAD
23		7127241655	8	SFHCS M16x45 -10.9 ISO 10642
24		7951190014	16	F WASHER 10
26		7951240220	34	LOCK WASHER, 16MM
27		A197342	8	PLATE KEEPER
29		84027007	4	HEX NUT
32		7097490	4	F WASHER
33		810166910	4	WASHER SHOULDER
35		810274342	4	BRACKET
36		810288292	2	STRAP
39		810292880	2	BUSHING, COMPOSITE
42		810295682	1	PIN (NO HOLES)
43		810296732	1	PLATFORM
45		810298010	1	TIE WIRE
46		7114153664	4	C BOLT SQUARE
47		7126191850	8	HHCS M10x55 -8.8 ISO 4014
48		7660152500	4	HEX LOCK NUT PA 5/16-18UNC SS
49		7661190803	8	HEX LOCK NUT M10 -8 ISO 7040
50		7950150141	4	F WASHER 5/16"
53		810284132	1	RETAINER
54		7128241954	12	SHCS
60		7128241754	6	SHCS

+ SEE FURTHER BREAKDOWN THIS GROUP

# Manitowoc Cranes

Description  
**LANYARD ASSY PIN**

**Assembly No.**  
**84019925**  
Revision: **A**

Item	FN	Part	Qty	Description
1		<b>81007002</b>	2	SLEEVE OVAL AL
2		<b>81007001</b>	1	WIRE 3/64 7X7 SS VC-1/16 CLEAR
3		<b>A066560</b>	1	PIN SAFETY

# Manitowoc Cranes

Description  
**LINK ASSY DEAD END**

**Assembly No.**  
**81042356**  
 Revision: **B**

Item	FN	Part	Qty	Description
1		<b>810289342</b>	1	LINK FEMALE WELD AND MACH
2		<b>6741380</b>	1	SWIVEL
3	+	<b>A062780</b>	1	SOCKET BUTTON
4		<b>A106702</b>	2	PIN 1 HOLE W/HD
5		<b>5621710</b>	2	PIN COTTER

+ SEE FURTHER BREAKDOWN THIS GROUP

# Manitowoc Cranes

Description  
**GEAR RACK ASSY VPC**

**Assembly No.**  
**81026037**  
Revision: **A**

Item	FN	Part	Qty	Description
1		<b>4989340</b>	6	KEY
2		<b>810261820</b>	8	GEAR RACK 23 TOOTH
3		<b>810263012</b>	8	DOWEL
4		<b>7128242454</b>	96	SCR SKT HD

# Manitowoc Cranes

Description  
ESI ROT BED VPC

Assembly No.  
84049860  
Revision: A

Item	FN	Part	Qty	Description
1		84040417	1	WIRING HARNESS WRR3

# Manitowoc Cranes

Description  
ESI VPC MOUNTING

**Assembly No.**  
**81028670**  
Revision: **G**

Item	FN	Part	Qty	Description
1	#	<b>80069035</b>	1	ELECTRONIC CONTROL UNIT
2		<b>810018650</b>	1	ALARM
3		<b>7300000242</b>	2	CLAMP, TUBING 3/4"
4		<b>810245002</b>	1	CABLE ROD
6		<b>810254612</b>	1	BRACKET
7		<b>810282202</b>	1	BRACKET
8		<b>810291962</b>	4	STUD
9		<b>7126151153</b>	4	HHCS M6X20 SS ISO 4017
10		<b>7126152053</b>	4	HHCS M6x65 -8.8 ISO 4017
11		<b>7126191153</b>	10	HHCS M10X20 8.8
12		<b>7126211253</b>	4	HHCS M12X25 8.8 FLZN ISO 4017
13		<b>7661150004</b>	8	NUT, HEX - 6MM
14		<b>7661210003</b>	4	NUT, HEX 12MM N.C.
15		<b>7951150014</b>	4	F WASHER
16		<b>7951150210</b>	8	LOCKWASHER, 6MM I.D.
17		<b>7951190014</b>	10	F WASHER 10
18		<b>7951210014</b>	4	F WASHER 12 -ST ISO 7089
19		<b>7951210220</b>	4	L WASHER 12 -HRC44-51 DIN 127
20		<b>A015950</b>	3	RETAINER, P-CLIP

# SERVICED AS AN ASSEMBLY ONLY

# Manitowoc Cranes

Description

**HYD LINES INSTL ENERGY CHAIN**

**Assembly No.**

**81011301**

Revision: D

Item	FN	Part	Qty	Description
1		7555515763	1	HOSE ASSY CODED
2		7555515763	1	HOSE ASSY CODED
3		7555516261	1	HOSE ASSY
4		810356190	1	HOSE ASSY
5		7555516863	1	HOSE ASSY CODED
6		810356200	1	HOSE ASSY
7		7555517161	1	HOSE ASSY
8	+	810039130	7	Q DISCON FITTING
9		84038502	1	WIRING HARNESS WVB1
10		81025600X	1	ENERGY CHAIN
11		7447121203	2	ELBOW, 90 DEGREE INCLUDES THE FOLLOWING PARTS
		7755018002	1	O-RING
		7755912002	1	O-RING
12		7447121202	1	CONNECTOR, LONG INCLUDES THE FOLLOWING PARTS
		7755018002	1	O-RING
		7755912002	1	O-RING
13		7447121233	1	ELBOW, 90 DEGREE INCLUDES THE FOLLOWING PARTS
		7755018002	1	O-RING
14		7447121238	4	ELBOW, 90 DEGREE LONG MALE INCLUDES THE FOLLOWING PARTS
		7755018002	1	O-RING
		7755912002	1	O-RING
15		81018601	1	NAMEPLATE ID TAG ROUND #001
16		81018602	1	NAMEPLATE ID TAG ROUND #002
17		81018703	1	NAMEPLATE ID TAG ROUND #003
18		81018604	1	NAMEPLATE ID TAG ROUND #004
19		81018605	1	NAMEPLATE ID TAG ROUND #005
20		81018606	1	NAMEPLATE ID TAG ROUND #006
21		81018607	1	NAMEPLATE ID TAG ROUND #007
22		84040418	1	WIRING HARNESS WVB5

+ SEE FURTHER BREAKDOWN THIS GROUP

# ***Manitowoc Cranes***

**Notes**

---

# Manitowoc Cranes

Description  
**GUARD ASSY VPC**

**Assembly No.**  
**810300471**  
**Revision: B**

Item	FN	Part	Qty	Description
1		810070010	3	WIRE
2		810070020	6	SLEEVE
3		810276370	3	PIN QUICK RELEASE
4		810300492	1	GUARD

# Manitowoc Cranes

Description

**GUARD ASSY VPC ROLLERS**

**Assembly No.**

**81042177**

Revision: **A**

Item	FN	Part	Qty	Description
1		<b>810223090</b>	4	SQ NUT
2		<b>81042188</b>	2	COVER HINGE
3	+	<b>81042257</b>	2	GUARD ASSY ROLLER
4		<b>7126191353</b>	4	HHCS
5		<b>7951190010</b>	4	F WASHER 10 -HRC44-51 ISO 7089

+ SEE FURTHER BREAKDOWN THIS GROUP

# Manitowoc Cranes

Description  
**PIN LANYARD ASSY**

Assembly No.  
**80106581**  
Revision: **A**

Item	FN	Part	Qty	Description
1		<b>81007001</b>	1	WIRE 3/64 7X7 SS VC-1/16 CLEAR
2		<b>81007002</b>	2	SLEEVE OVAL AL
3		<b>84036435</b>	1	PIN WITH HEAD 9.5 X 82.5

# Manitowoc Cranes

Description

PLATFORM ASSY 48 INCH SHOE

Assembly No.

80104950

Revision: A

Item	FN	Part	Qty	Description
1	+	810269922	2	PLATFORM ASSY
2	+	810292552	2	PLATFORM ASSY

+ SEE FURTHER BREAKDOWN THIS GROUP

# ***Manitowoc Cranes***

Notes

---

# Manitowoc Cranes

Description  
**SENSOR**

**Assembly No.**  
**810300010**  
Revision: **B**

Item	FN	Part	Qty	Description
1		<b>81041772</b>	1	O-RING 15.6 X 1.8 SAE J515
2		<b>84024269</b>	1	PLUG, SPEED SENSOR PART NOT SHOWN. NOT SUPPLIED WITH SENSOR.
3		<b>7126150854</b>	1	SHCS M6X12 PART NOT SHOWN. NOT SUPPLIED WITH SENSOR.

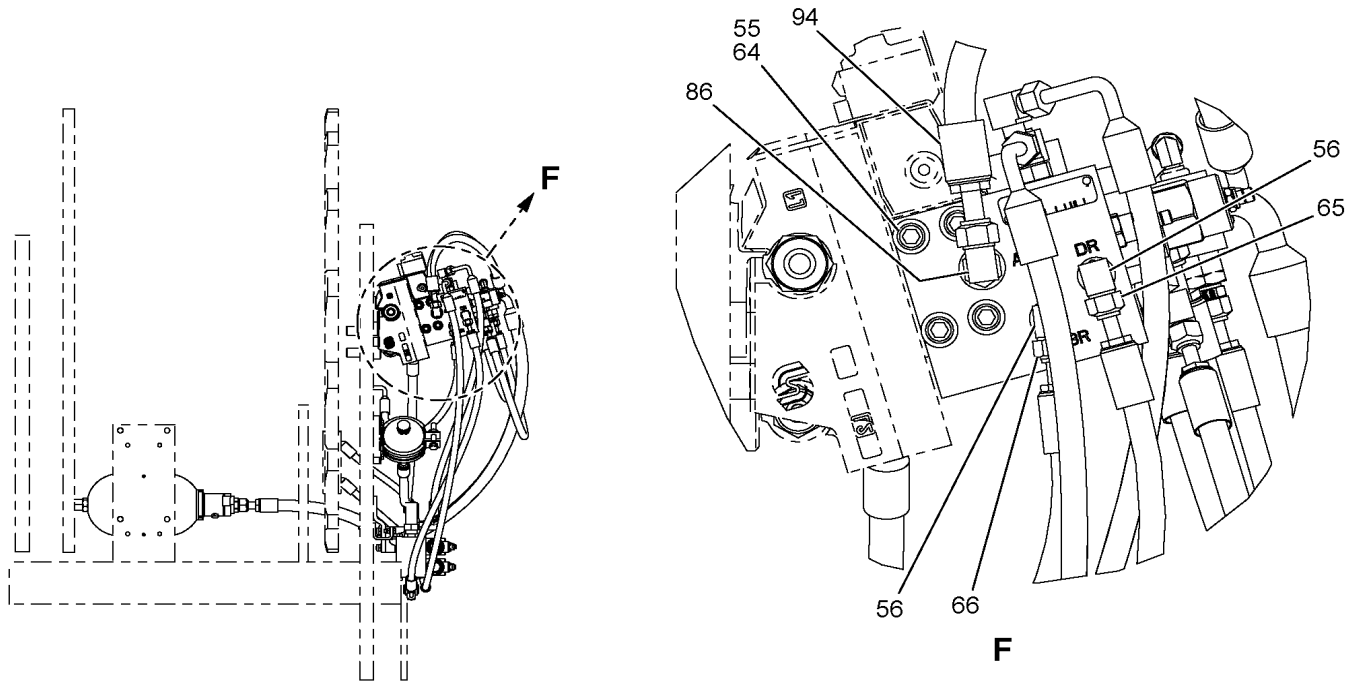
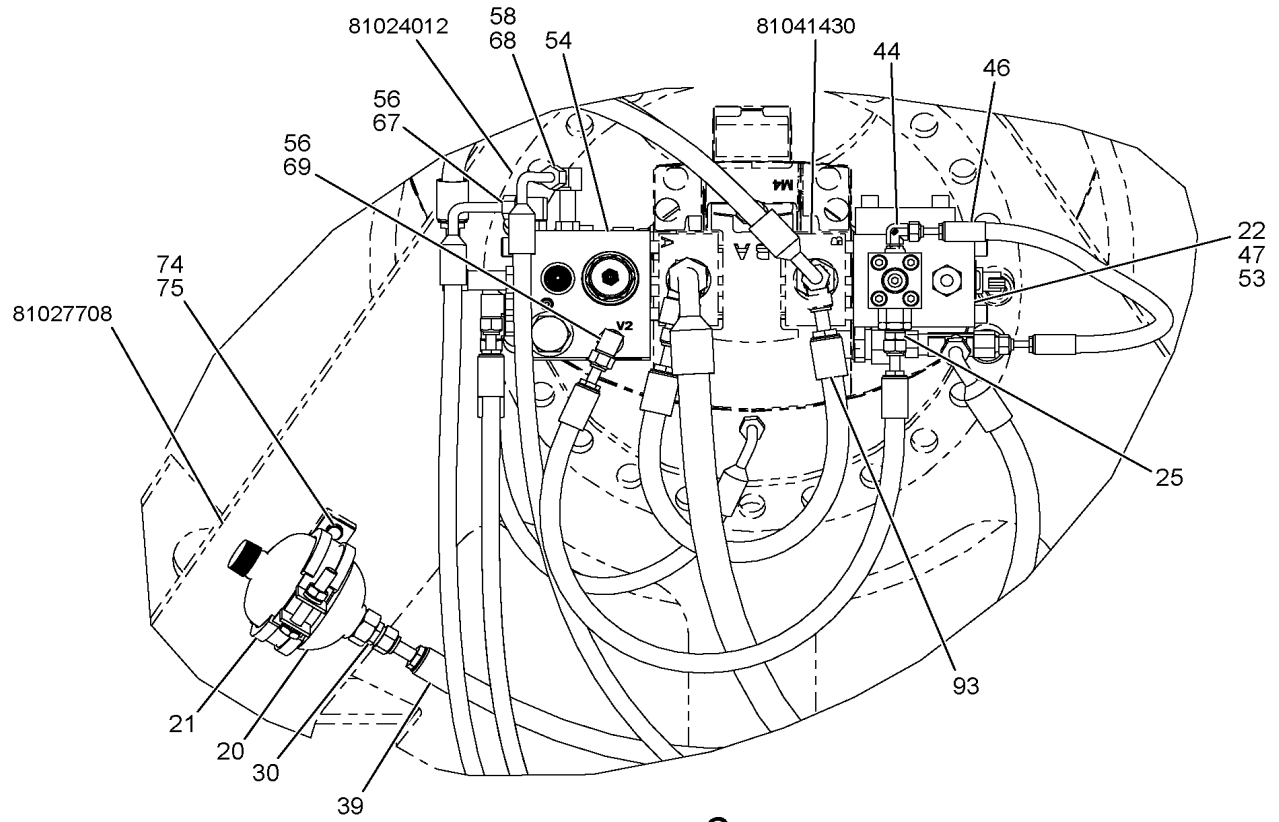
# Manitowoc Cranes

Description  
ESI DRUM 6

**Assembly No.**  
**810259471**  
Revision: H

Item	FN	Part	Qty	Description
1		810161360	1	SWITCH, LEVER ARM FIXED
2		80130332	1	LIMIT SWITCH ASSY ROTARY LEFT INCLUDES THE FOLLOWING PARTS
		80130297	1	CABLE GLAND .50 NPT .25-.38
		80129369	1	CABLE
		810161270	1	SWITCH, LIMIT
		80129369	1	CABLE
		2972110	1	CABLE, WIRE
3		810249310	1	WIRING HARNESS
5		810340642	1	BRACKET
6		7126211353	2	HHCS
7		7126131654	4	SHCS M5x45 -8.8 ISO 4762
8		7661130804	4	HEX LOCK NUT PA
9		7661210804	2	HEX LOCK NUT
10		7951130014	4	F WASHER 5 ST ISO 7089
11		7951210014	2	F WASHER 12 -ST ISO 7089

# Manitowoc Cranes



# Manitowoc Cranes

Description

**HYD LINES INSTL DRUM 0 DRUM 7**

**Assembly No.**

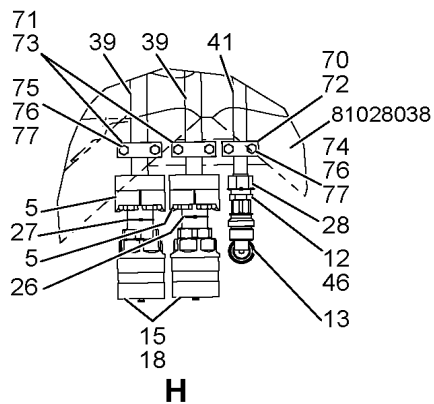
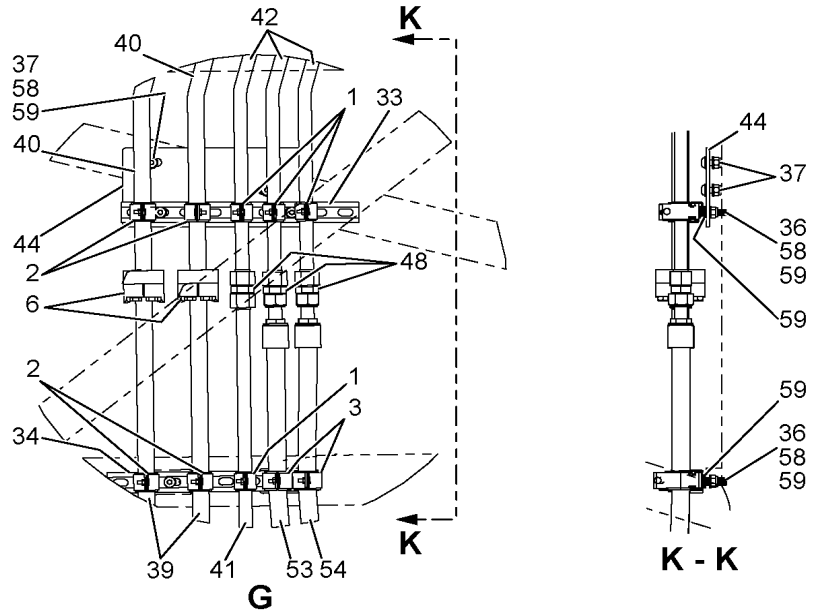
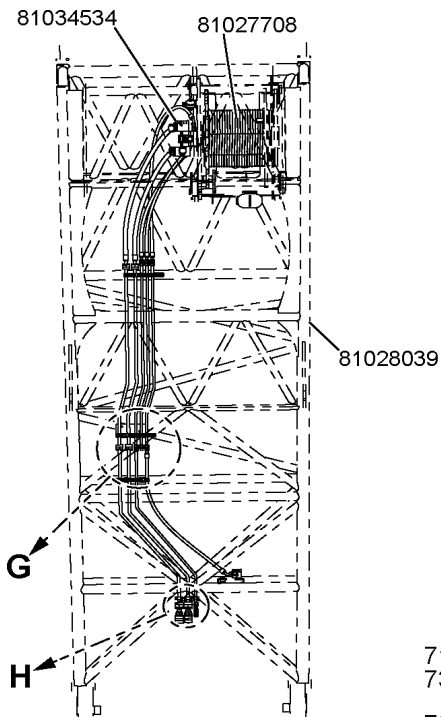
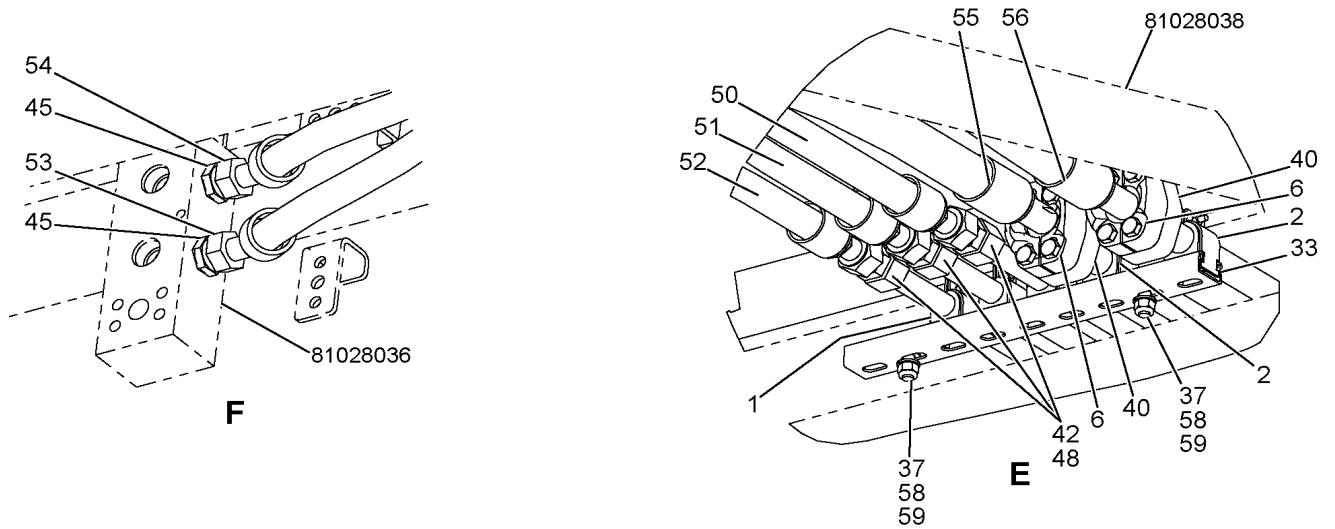
**81027453**

Revision: D

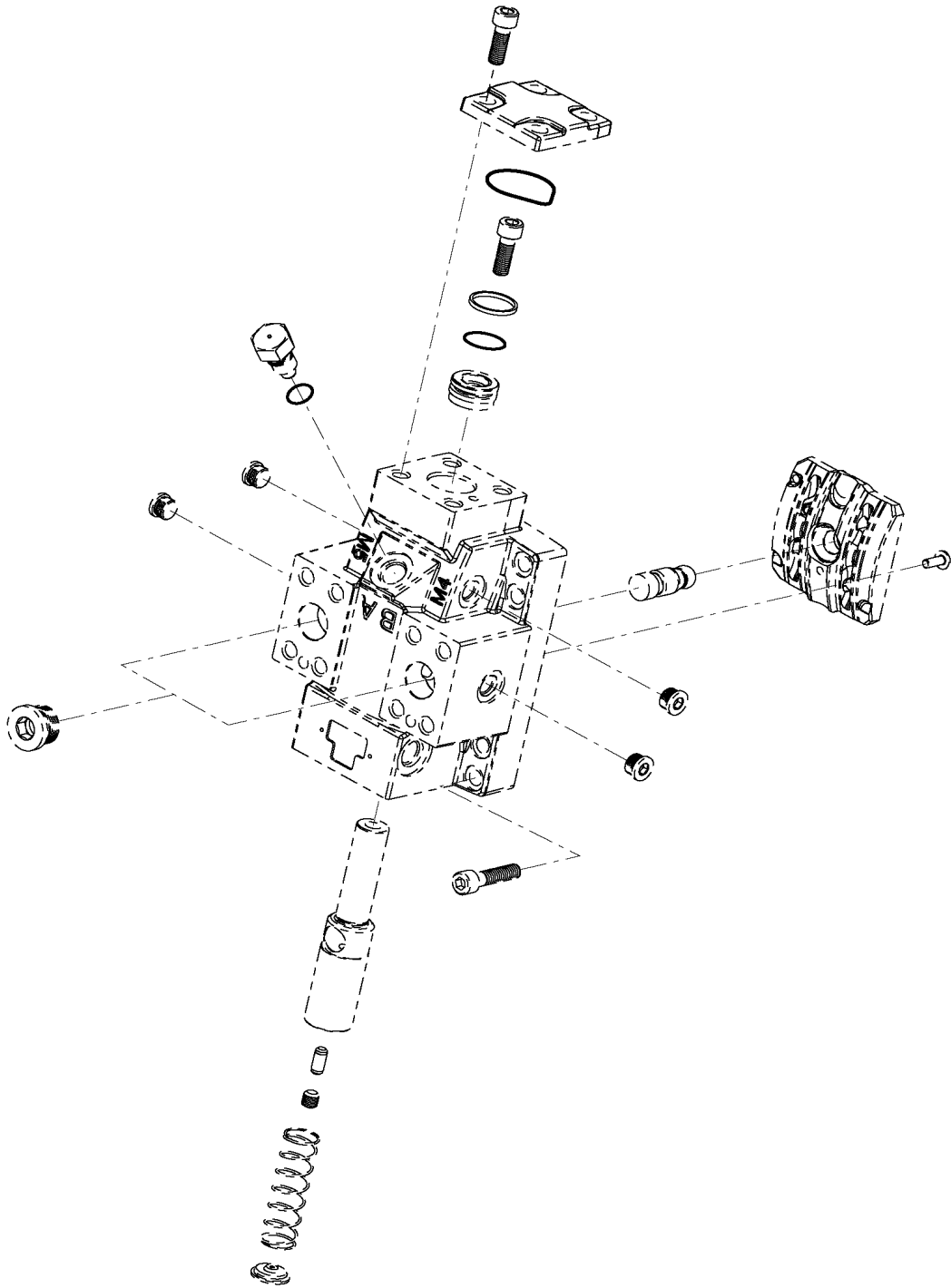
Item	FN	Part	Qty	Description
1		810271010	4	CHANNEL ANCHOR CLAMP
4	+	810039140	2	Q DISCON FITTING
5		810039150	2	CAP DUST
6		810186140	1	NAMEPLATE
7		810186150	1	NAMEPLATE
9		810302240	2	TUBE PREFORMED
10		7447080428	1	ADAPTER, STRAIGHT MALE
11		7447081601	1	ADAPTER, STRAIGHT INCLUDES THE FOLLOWING PARTS
		7755014002	1	O-RING
		7755916002	1	O-RING
13		7447121201	2	ADAPTER, STRAIGHT MALE INCLUDES THE FOLLOWING PARTS
		7755018002	1	O-RING
		7755912002	1	O-RING
14		7447121209	2	UNION INCLUDES THE FOLLOWING PARTS
		7755018002	1	O-RING
15		7447121603	1	ELBOW, 90 DEGREE INCLUDES THE FOLLOWING PARTS
		7755018002	1	O-RING
		7755916002	1	O-RING
16		7447121601	1	ADAPTER, STRAIGHT INCLUDES THE FOLLOWING PARTS
		7755018002	1	O-RING
		7755916002	1	O-RING
17		7555304801	1	HOSE ASSY, 1/2" I.D. X 48" LONG
18		7555504600	1	HOSE ASSY CODED
19		7555504401	1	HOSE ASSY, 3/4" I.D. X 44" LONG
20		810270350	6	CLAMP
21		810270550	4	PLATE
22		810270630	2	PLATE
23		810270730	8	CLAMP
24		7126191953	4	HHCS M10X60 8.8 FLZN ISO 4017
25		3772000	2	COUPLING PIPE
26		5431700	2	PIPE NIPPLE
27		7445020204	2	ADAPTER, 90 DEGREE SWIVEL

+ SEE FURTHER BREAKDOWN THIS GROUP

# Manitowoc Cranes



# Manitowoc Cranes



# Manitowoc Cranes

Description <b>HYD EQUIP DRUM 4</b>				Assembly No. <b>810426831</b> Revision: L
Item	FN	Part	Qty	Description
1		3455100	4	CLAMP TUBE
2		4282240	2	FITTING ADAPTER STRAIGHT
3		4295570	1	FITTING, PLUG
5		4299550	1	FITTING ADAPTER STRAIGHT
6		5966920	5	O-RING
7		6149190	8	SHCS
8	+	810039140	1	Q DISCON FITTING
9		810039150	1	CAP DUST
10		810042800	2	Q DISCON FITTING INCLUDES THE FOLLOWING PARTS
		810120180	1	KIT, SEAL
		90021783	1	KIT, CARTRIDGE
11		810043080	2	CAP DUST
13	+	810121650	1	Q DISCON FITTING
14	+	810136400	1	VALVE MANIFOLD
15		81016085	3	FLANGE SPLIT CODE 62
16		810186210	1	NAMEPLATE
17		810186220	1	NAMEPLATE
18		810186230	1	NAMEPLATE
19		810186250	1	NAMEPLATE
20		810253160	1	ACCUMULATOR
21		80121890	1	BRACKET ACCUMULATOR
22		810257070	1	VALVE ASSY
23		810268620	1	SENSOR
24		810270380	2	CLAMP
25		810270400	1	CLAMP
26		810270640	3	PLATE
27		810270740	2	CLAMP
30		81038532	1	PLATE WELD GRP 3 DIN3015-1
31		81042632	1	CLAMP 1.18 DIA DIN3015
32		81042659	1	BRACKET HOSE SUPPORT
33		84025112	1	TUBE ASSY 1.25 OD X .187 WALL
34		84025113	1	TUBE ASSY 1.25 OD X .187 WALL
35		7126151053	4	CAP SCREW, M6 X 16MM HEX HEAD
36		7126171053	2	HHCS M8X16 SS ISO 4017
37		7126191153	4	HHCS M10X20 8.8
38		7126192153	2	HHCS M10x70 -8.8 ISO 4017
39		7126192653	4	HHCS M10x100 -8.8 ISO 4017
40		7128211654	4	SHCS M12x45 -12.9 ISO 4762
41		7128212954	4	SCR SKT HD M12-1.75 X 130 12.9

+ SEE FURTHER BREAKDOWN THIS GROUP

# Manitowoc Cranes

Description

VALVE DIRECTIONAL CONTROL

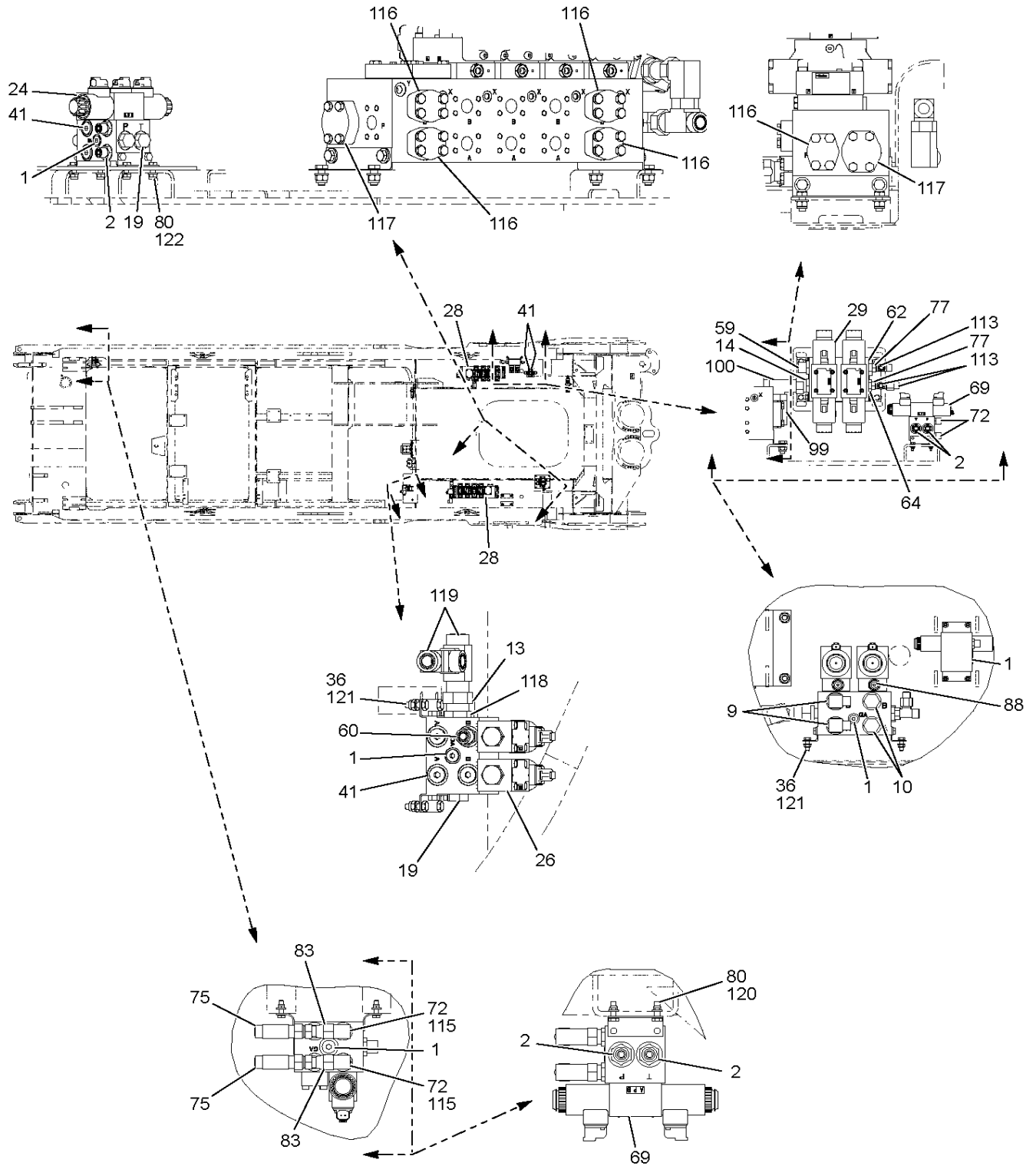
Assembly No.

810239070

Revision: A

Item	FN	Part	Qty	Description
1		90038353	1	COIL
2		90038354	1	SEAL KIT

# Manitowoc Cranes



# Manitowoc Cranes

Description  
**VALVE MANIFOLD**

Assembly No.  
**810136500**  
Revision: **B**

Item	FN	Part	Qty	Description
1		<b>7034100</b>	1	VALVE MANIFOLD
2	+	<b>810239070</b>	1	VALVE DIRECTIONAL CONTROL
3		<b>7110101405</b>	8	SHCS 10-24UNC X 1.75 A574

+ SEE FURTHER BREAKDOWN THIS GROUP

# Manitowoc Cranes

Description  
VALVE RELIEF ASSY

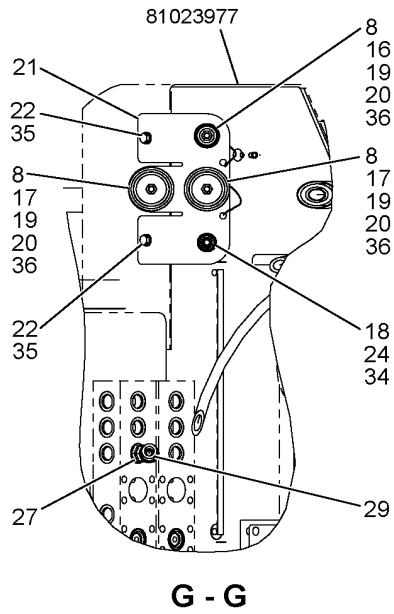
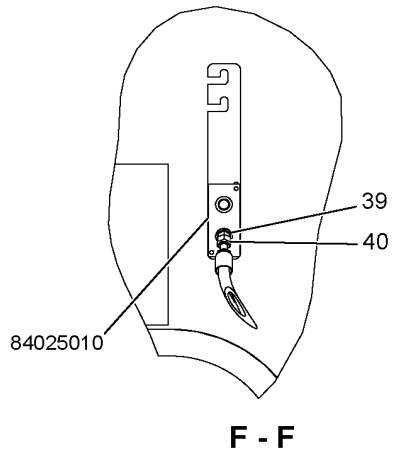
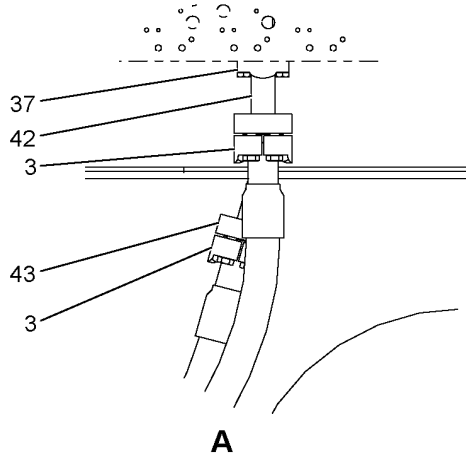
Assembly No.  
84019665  
Revision: A

Item	FN	Part	Qty	Description
1		81042926	1	VALVE BODY -16
2		81042927	1	VALVE RELIEF

# Manitowoc Cranes

Description <b>HYD LINES INSTL TANK RETURN</b>				Assembly No. <b>81038266</b> Revision: <b>AE</b>
Item	FN	Part	Qty	Description
		7755916002	1	O-RING
88		7447161646	1	FITTING
89		7447162001	2	ADAPTER, STRAIGHT INCLUDES THE FOLLOWING PARTS
		7755021002	1	O-RING
		7755920002	1	O-RING
90		7447201603	1	ELBOW, 90 DEGREE MALE INCLUDES THE FOLLOWING PARTS
		7755025002	1	O-RING
		7755916002	1	O-RING
91		7447202003	2	ELBOW, 90 DEGREE INCLUDES THE FOLLOWING PARTS
		7755025002	1	O-RING
		7755920002	1	O-RING
92		7447241613	2	FITTING
93		7447242013	1	REDUCER INCLUDES THE FOLLOWING PARTS
		7755025002	1	O-RING
96		7555302302	1	1/2" I.D. HYDR ASSY STR-45 DEG
97		7555302502	1	1/2" I.D. HOSE ASSY STR-45
98		7555309801	1	HOSE ASSY CODED
100		7555504601	1	HOSE ASSY, 3/4" I.D. X 46" LONG
101		7555503702	1	HOSE ASSY CODED
102		7555504602	1	HOSE ASSY
104		7555512502	1	HOSE ASS'Y-3/4 ID STR-45 OES
105		7555512502	1	HOSE ASS'Y-3/4 ID STR-45 OES
109		7555602802	1	HOSE CODED ASSY
110		7555505501	1	HOSE ASSY .75 X 55 LG
111		7555604102	1	HOSE ASSY CODED
112		7555704801	1	HOSE ASSY
113		7555607002	1	HOSE ASSY 1.00 ID X 70 LG
114		7555605901	1	HOSE ASSY 1.00 ID X 59.00 LG
115		7555609502	1	HOSE ASSY 1.00 ID X 95 LG
116		7555611101	1	HOSE ASSY CODED 1.00IDX111LG S
117		7555611801	1	HOSE ASSY 1.00 ID X 118 LG
118		7555702090	1	HOSE ASSY 1.25 ID X 20 LG
120		7556607890	1	HOSE ASSY CODED
121		7556607890	1	HOSE ASSY CODED
123		7568307250	1	HOSE ASSY CODED
124		7568308050	1	HOSE ASSY CODED 1.00 ID X 80 L
129		A125900	2	CONNECTOR PLATE
130		A175700	2	FLANGE ASSY SPLIT CODE 62
133		810115390	2	WIRE RING

# Manitowoc Cranes



# Manitowoc Cranes

Description

**PIN HOSE STOWAGE**

**Assembly No.**

**81042207**

**Revision: B**

Item	FN	Part	Qty	Description
2		81041503	1	PIN 1 HOLE
3		7661210804	1	HEX LOCK NUT

# Manitowoc Cranes

<u>Description</u> HYD EQUIP HYD SYS FILTERS				Assembly No. 81027459 Revision: N
Item	FN	Part	Qty	Description
2		4282270	1	FITTING ADAPTER 90 DEG
4		5967950	1	O-RING
5		6124520	4	HHCS 3/8-16UNC X 0.75 GR 5
6		810266260	1	FILTER ASSY USES BY PASS INDICATOR KIT PART NUMBER 90039044 AND REPLACEMENT FILTER PART NUMBER 4272820.
7		810285042	1	BRACKET
8		81028929	1	VALVE RELIEF
9		80126545	1	FLANGE TEE -24 CD61X-16ORB
12		7447161601	1	ADAPTER, STRAIGHT INCLUDES THE FOLLOWING PARTS
		7755021002	1	O-RING
		7755916002	1	O-RING
14		7447161640	1	ADAPTER, STRAIGHT INCLUDES THE FOLLOWING PARTS
		7755021002	1	O-RING
		7755916002	1	O-RING
16		7950160141	4	WASHER, FLAT 3/8" NARROW
18		840246129	1	VALVE TVL CASE FLS/MAKEUP
21		7126192953	2	SCREW CAP HEX HD
23		7447121203	1	ELBOW, 90 DEGREE INCLUDES THE FOLLOWING PARTS
		7755018002	1	O-RING
		7755912002	1	O-RING
25		7447121603	1	ELBOW, 90 DEGREE INCLUDES THE FOLLOWING PARTS
		7755018002	1	O-RING
		7755916002	1	O-RING
26		7661190803	2	HEX LOCK NUT M10 -8 ISO 7040
27		7951190014	4	F WASHER 10
28		7951210014	6	F WASHER 12 -ST ISO 7089
29		7447121201	1	ADAPTER, STRAIGHT MALE INCLUDES THE FOLLOWING PARTS
		7755018002	1	O-RING
		7755912002	1	O-RING
34		81040047	1	FITTING PLUG
35		7126211153	6	HHCS
36		80109152	1	BRACKET COOLING VALVE

# Manitowoc Cranes

Description

**HYD LINES INSTL SWING MOTOR CI**

**Assembly No.**

**84022262**

Revision: **B**

Item	FN	Part	Qty	Description
1		4282380	1	FITTING ADAPTER 90 DEG
2		4282600	1	FITTING ADAPTER 90 DEG
4		4316370	4	FLANGE ASSY SPLIT CODE 62
5		6926560	9	TRIM
9		7565206628	1	HOSE ASSY 1.00 ID X 66 LG
10		7565206628	1	HOSE ASSY 1.00 ID X 66 LG
11		7555203002	1	HOSE ASSY, 3/8" I.D. X 30" LONG
12		7555502102	1	HOSE ASSY, 3/4" I.D. X 21" LONG
13		7447121246	1	ADAPTER, 45 DEGREE

# Manitowoc Cranes

Description  
VALVE

Assembly No.  
**81040102**  
Revision: **C**

Item	FN	Part	Qty	Description
1		<b>81025576</b>	1	VALVE DIR CTRL D05 3P4W O-RING REPLACEMENT REF 5962851
2		<b>81026017</b>	1	ADAPTER D05 A B SHUTTLE
3		<b>81040103</b>	1	MANIFOLD BLOCK 1 BANK D05
4		<b>6148540</b>	4	SHCS 1/4-20UNC X 2.75 A574

# Manitowoc Cranes

Description  
**FRAME HOSE STOWAGE**

**Assembly No.**  
**81041424**  
 Revision: **F**

Item	FN	Part	Qty	Description
1		81037652	1	FITTING PLUG
2		81037653	2	FITTING PLUG
3		81037824	1	FITTING PLUG
4		84045944	1	BRACKET HOSE STOWAGE
11		810115390	4	WIRE RING
12		81041239	4	PIN
13	+	81042207	4	PIN HOSE STOWAGE
14		81042402	1	BRACKET HOSE STOWAGE
15		7127191453	2	HHCS M10X35 10.9 FLZN ISO 4017
16		7661191103	2	LOCKNUT
17		7951190014	4	F WASHER 10
18		81041238	4	LANYARD

+ SEE FURTHER BREAKDOWN THIS GROUP

CLICK HERE TO **DOWNLOAD** THE COMPLETE MANUAL

- Thank you very much for reading the preview of the manual.
- You can download the complete manual from: [www.heydownloads.com](http://www.heydownloads.com) by clicking the link below



- Please note: If there is no response to CLICKING the link, please download this PDF first and then click on it.

CLICK HERE TO **DOWNLOAD** THE COMPLETE MANUAL

# Manitowoc Cranes

Description

**HYD LINES INSTL ROT BED DRUM 5**

**Assembly No.**

**81033602**

Revision: **G**

Item	FN	Part	Qty	Description
1		3455110	5	CLAMP TUBE, 0.75 DIA
2		3455130	6	CLAMP, TUBE
3		3456860	2	CLAMP TUBE
4		4295500	2	FLANGE ASSY SPLIT CODE 61
5		5966920	4	O-RING
6	+	810039140	1	Q DISCON FITTING
7		810039150	1	CAP DUST
8		810043080	2	CAP DUST
9	+	810114710	2	Q DISCON FITTING
10		81016085	2	FLANGE SPLIT CODE 62
11		81018640	1	NAMEPLATE ID TAG ROUND #040
12		81018641	1	NAMEPLATE ID TAG ROUND #041
13		81018642	1	NAMEPLATE ID TAG ROUND #042
14		81018643	1	NAMEPLATE ID TAG ROUND #043
15		810269530	1	CHANNEL
16		810293140	3	FITTING ADAPTER STRAIGHT
17		84038702	1	TUBE ASSY DRUM 5 RETURN
18		84039298	1	TUBE ASSY CHARGE PRESSURE
19		81041339	1	TUBE PREFORMED 1.25 OD X .187
20		81041677	1	TUBE PREFORMED 1.25 OD X .187
21		81042477	2	MANIFOLD BLOCK 20 CODE 62 MNT
22		80129659	1	BRACKET DRUM 5
23		7126211350	8	CAP SCREW, M12X30 HEX HEAD
24		810288410	2	SBCS M12-1.75 X 30MM
25		7126212650	8	CAP SCREW, M12X100 HEX HEAD
26		7447121203	2	ELBOW, 90 DEGREE INCLUDES THE FOLLOWING PARTS
		7755018002	1	O-RING
		7755912002	1	O-RING
28		7579404541	1	HOSE ASSY 1.00 ID X 44 LG
29		81042781	1	HOSE ASSY 1.00 ID X 50 LG
31		7555512202	1	HOSE
32		A175600	2	FLANGE ASSY SPLIT CODE 61
33		4316490	1	FLANGE ASSY SPLIT CODE 62
34		810256110	1	TUBE PREFORMED
35		81042632	1	CLAMP 1.18 DIA DIN3015
36		810270560	1	PLATE
37		810270640	1	PLATE
38		7126192153	2	HHCS M10x70 -8.8 ISO 4017
39		7555513000	1	HOSE

+ SEE FURTHER BREAKDOWN THIS GROUP

# Manitowoc Cranes

Description  
**Q DISCON FITTING**

Assembly No.  
**810039130**  
Revision:

Item	FN	Part	Qty	Description
1		810120130	1	REPAIR KIT F

# Manitowoc Cranes

Description

**ESI BOOM TOP CAM PREP**

Assembly No.

**81041916**

Revision: **B**

Item	FN	Part	Qty	Description
1		84020656	1	ELEC CABLE WBB5 (CCTV)

# Manitowoc Cranes

Description  
**ESI CAB EXTERIOR WIRING**

**Assembly No.**  
**81029114**  
 Revision: E

Item	FN	Part	Qty	Description
1		<b>2974710</b>	1	ELEC CABLE
2		<b>81029278</b>	1	ELEC CABLE BRAIDED GROUNDSTRAP
3		<b>7127150753</b>	5	HHCS FULL THREAD 6 X 10 10.9
4		<b>A172140</b>	1	ELEC CABLE
5		<b>7107720</b>	5	L WASHER I/E-T
6		<b>7107710</b>	1	WASHER
7		<b>7126170853</b>	1	HHCS M8x12 -8.8 ISO 4017
8	+	<b>80114385</b>	1	WINDOW WIPER RELAY ASSY

+ SEE FURTHER BREAKDOWN THIS GROUP

# Manitowoc Cranes

Description

**JUNCTION BOX DC LOAD CENTER**

**Assembly No.**

**84036350**

**Revision: A**

Item	FN	Part	Qty	Description
1		2361430	1	FUSE BLOCK
2		275324	1	BREAKER CIRCUIT 120 AMP
3		4526850	4	FUSE
4		5460750	4	HEX NUT
5		5468370	1	NUT, HEX HEAVY
6		5469560	5	NUT PANEL
7		5469670	1	NUT PANEL
8		5724130	1	PLUG ELEC SEALING SIZE 4
9		5725230	17	PLUG SEALING
10		5724090	1	ELEC CONNECTOR
11		5898830	1	RECEPTACLE
12		6131010	4	SCREW, HEX HEAD
13		6183910	1	SLOT PMS
14		620864	3	SLOT PMS 10-32UNF X 1.25 SS
15		6805160	4	TERMINAL
16		6727550	1	SWITCH KEY 2 POS MAINTAINED
17		672760	1	SWITCH 2 POS MAINTAINED
18		6806460	8	TERMINAL
19		6806620	10	TERMINAL, SLIP ON
20		6806700	3	TERMINAL PARALLEL SPLICE
21		6806880	57	TERMINAL
22		6806960	2	TERMINAL SOCKET CONTACT 12-14
23		6807150	10	TERMINAL, SLIP-ON NON-INSUL W/
24		6808230	15	TERMINAL
25		6808270	2	TERMINAL FEM
26		680829	10	TERMINAL FEMALE .187
27		680838	4	TERMINAL RING 22-16 AWG/#10
28		6808520	2	TERMINAL PARALLEL SPLICE
29		6808530	8	TERMINAL
30		7103000	1	L WASHER MEDIUM
31		7103020	4	WASHER, LOCK
32		7114320	1	WASHER
33		7114330	5	WASHER
34		810008490	2	TERMINAL
35		81002432	1	RELAY AUTOMOTIVE SPST-NO
36		810185870	23	PHIL RMS, 10-32 X 0.50 SS
37		81018592	4	PHIL RMS 6-32UNC X 0.50 SS
38		81019118	2	PHIL PMS 1/4-20UNC X 1.00 SS
39		810205460	1	RECEPTACLE DUST CAP

# Manitowoc Cranes

Description

**KIT BASE/REMOTE 2.4 GHZ**

**Assembly No.**

**81029825**

Revision:

Item	FN	Part	Qty	Description
1		<b>81029826</b>	1	TRANSCEIVER SETUP REMOTE 2.4 G INCLUDES ITEMS 50, 51 AND 52
2		<b>810305630</b>	2	BATTERY 3.6V 1.2AH NIMH INCLUDES ITEMS 53 AND 54
3		<b>810305640</b>	1	BATTERY CHARGER
4		<b>81042455</b>	1	TRANSCEIVER BASE 2.4 GHZ
50		<b>81030583</b>	1	ELECTRICAL CABLE SETUP REMOTE PART NOT SHOWN
51		<b>810305870</b>	1	STRAP WAIST SETUP REMOTE PART NOT SHOWN
52		<b>810305880</b>	1	STRAP NECK SETUP REMOTE PART NOT SHOWN
53		<b>80097758</b>	1	ANTENNA
54		<b>80130498</b>	2	RUBBER ISOLATOR PART NOT SHOWN

# Manitowoc Cranes

Description

**SWITCH VPC SHUTDOWN**

Assembly No.

**84050450**

Revision: **A**

Item	FN	Part	Qty	Description
1		<b>6727520</b>	1	BLOCK SWITCH CONTACT (1-N.C.)
2		<b>81041820</b>	1	SWITCH KEY 2 POS MAINTAINED
3		<b>A096020</b>	1	BASE, SWITCH MOUNTING

# Manitowoc Cranes

Description  
**BRACKET FUSE PANEL**

**Assembly No.**  
**81042368**  
**Revision: B**

Item	FN	Part	Qty	Description
1		81021895	1	RELAY CONTACTOR 24VDC 200A
2		81034523	3	FUSE HOLDER
3		81034525	3	FUSE
4		84020536	1	COVER FUSE
5		81042592	1	BRACKET FUSE PANEL
6		81042624	1	DECAL FUSE PANEL
8		7126151253	6	HHCS M6X25 8.8 FLZN 4017
9		7126151153	6	HHCS M6X20 SS ISO 4017
10		7661150003	6	NUT, HEX
11		7661150004	2	NUT, HEX - 6MM
12		7951150014	12	F WASHER
13		7951150220	12	L WASHER

# Manitowoc Cranes

Description

**TANK FUEL INSTALLATION**

Assembly No.

**81028434**

Revision: **G**

Item	FN	Part	Qty	Description
1		<b>4284460</b>	2	FITTING ADAPTER 90 DEG
2		<b>7115150650</b>	12	HHCS 5/16-18UNCX0.75 G5
3		<b>7103030</b>	12	WASHER, LOCK
4		<b>84021269</b>	1	FILLER NECK FUEL ASSY
6		<b>810238272</b>	1	GAUGE LEVEL FUEL
7		<b>810249220</b>	1	PLUG
9		<b>7555102100</b>	1	HOSE ASSY, 1/4" I.D. X 21" LONG
10		<b>810289910</b>	1	TUBE PREFORMED
11		<b>7951220014</b>	2	WASHER
12		<b>81042862</b>	1	TUBE FUEL FILL
13		<b>810286892</b>	1	GASKET COVER
14		<b>5101750</b>	1	LOCK

# Manitowoc Cranes

Description  
**SERVICE KIT 500 HRS**

**Assembly No.**  
**90046857**  
**Revision: B**

Item	FN	Part	Qty	Description
3		<b>90046855</b>	1	FILTER ELEMENT
4		<b>90048547</b>	1	FILTER, OIL
5		<b>A053600</b>	1	SCA TEST KIT SINGLE-USE
6		<b>90047313</b>	1	FILTER, FUEL
7	+	<b>90048403</b>	1	KIT SERVICE 1000 HRS FOR REFERENCE ONLY; NOT INCLUDED IN 90046857.

+ SEE FURTHER BREAKDOWN THIS GROUP

# Manitowoc Cranes

Description  
**PUMP**

**Assembly No.**  
**810247210**  
Revision: E

Item	FN	Part	Qty	Description
1		90040390	1	SEAL KIT
2		90040391	1	SHAFT SEAL

# Manitowoc Cranes

Description

**VALVE ASSY QUICK DRAIN**

Assembly No.

**810249430**

Revision: **C**

Item	FN	Part	Qty	Description
1		<b>3453370</b>	1	CLAMP, WORM DRIVE
2		<b>810249410</b>	1	HOSE
3		<b>810249470</b>	1	FITTING, ADAPTER STRAIGHT QUIC

# ***Manitowoc Cranes***

Notes

---

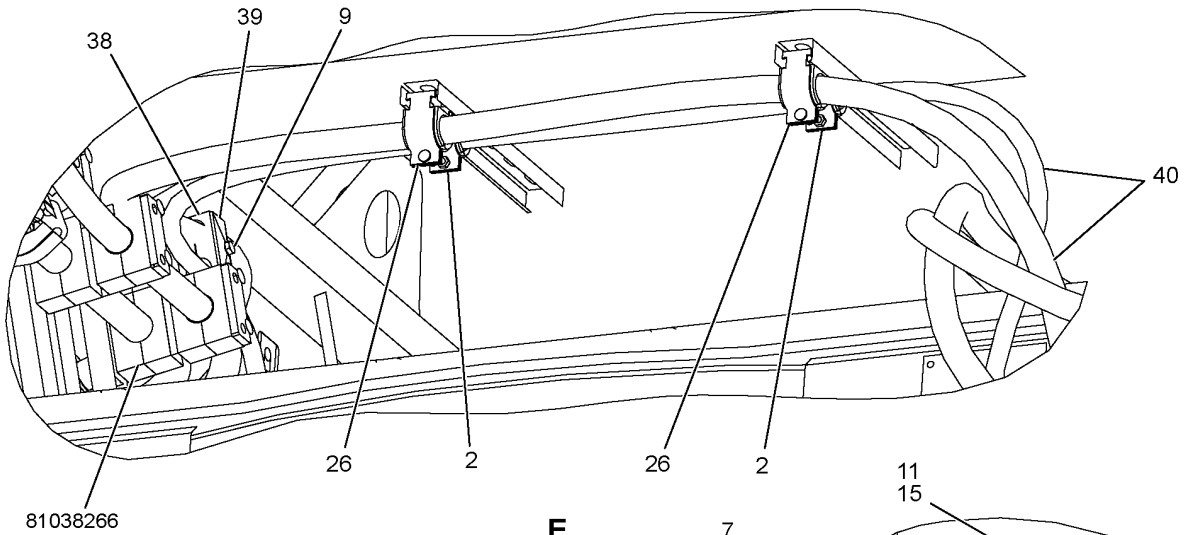
# Manitowoc Cranes

Description  
**PANEL ENCL ASSY**

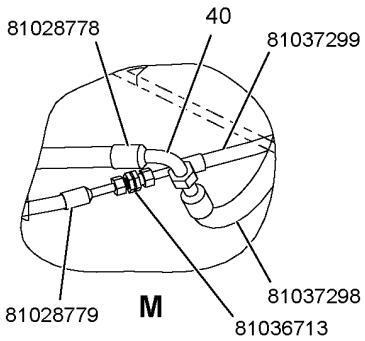
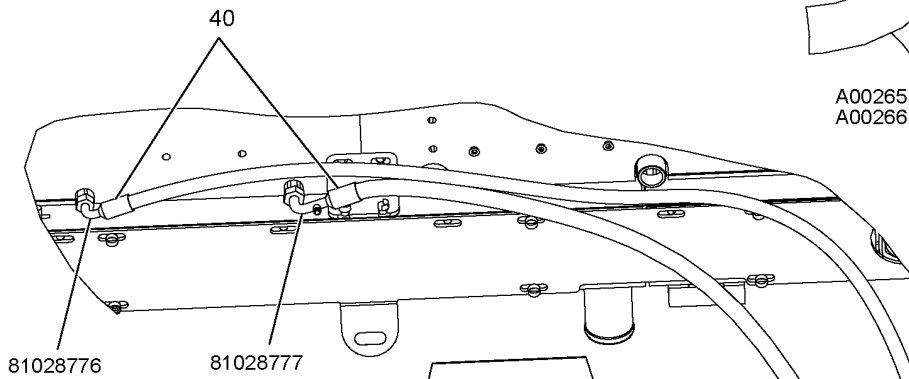
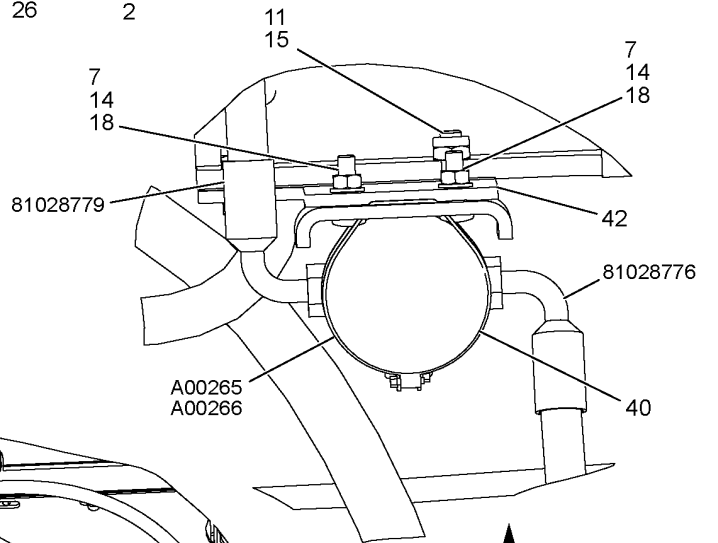
**Assembly No.**  
**810295572**  
**Revision: B**

Item	FN	Part	Qty	Description
1		<b>810294302</b>	1	PANEL ENCL COOLER
2		<b>810294742</b>	1	BRACKET COOLER
3		<b>81029477</b>	1	HINGE COOLER ENCLOSURE
4		<b>7126151053</b>	6	CAP SCREW, M6 X 16MM HEX HEAD
5		<b>7126151153</b>	5	HHCS M6X20 SS ISO 4017
6		<b>7661150003</b>	11	NUT, HEX
7		<b>7951150014</b>	22	F WASHER

# Manitowoc Cranes



**E**



**G**



# Manitowoc Cranes

Description  
**CLUTCH RELEASE ASSY**

**Assembly No.**  
**81028410**  
Revision: E

Item	FN	Part	Qty	Description
1		6127170	3	HHCS
2		7103080	3	WASHER, LOCK
3		810284112	1	LEVER
4		7126191853	1	HHCS M10X55
5		7126221753	2	SCR CAP HEX HD
6		7661190804	1	HEX LOCK NUT M10
7		7661220004	3	NUT
8		A092112	1	BRACKET
9		A145760	1	SPRING
10		5460560	1	NUT, HEX
11		6018270	1	ROD
12		6125590	1	SCREW, HEX CAP
13		7103060	1	WASHER, LOCK
14		810332952	1	HANDLE
15		7127242350	1	CAP SCREW, M16 X 80MM LONG
16		7661240013	1	M16x1.5 8FLZN 8673
17		A103770	1	SPACER PIPE
18		5462710	1	NUT, HEX JAM
19		7127222353	1	HHCS M14 X 80 -10.9 ISO 4017
20		7097810	1	F WASHER

# Manitowoc Cranes

Description

**PANEL POWER PLANT ENCL**

**Assembly No.**

**810319022**

Revision: **D**

Item	FN	Part	Qty	Description
1		<b>84027526</b>	1	PANEL POWER PLANT ENCL
2		<b>81031904</b>	1	BRACKET COOLER
3		<b>81031905</b>	1	HINGE COOLER ENCLOSURE
4		<b>7126151053</b>	5	CAP SCREW, M6 X 16MM HEX HEAD
5		<b>7126151153</b>	4	HHCS M6X20 SS ISO 4017
6		<b>7661150003</b>	9	NUT, HEX
7		<b>7951150014</b>	18	F WASHER

# Manitowoc Cranes

Description  
**FUEL CIRCUIT APU**

**Assembly No.**  
**81037293**  
 Revision: **D**

Item	FN	Part	Qty	Description
3		<b>6670060</b>	4	STRAP
6		<b>81036803</b>	1	Q DISCON FITTING HYD COUPLER 1
16		<b>7567601078</b>	1	HOSE ASSY CODED 0.75 ID X 078
17		<b>7567601078</b>	1	HOSE ASSY CODED 0.75 ID X 078
19		<b>81039797</b>	1	DUST PLUG QD 12
20		<b>80097462</b>	1	NAMEPLATE ROUND #090
21		<b>80097463</b>	1	NAMEPLATE ROUND #091
22		<b>810293140</b>	2	FITTING ADAPTER STRAIGHT
23		<b>81036804</b>	1	Q DISCON FITTING HYD NIPPLE 12
24		<b>81041451</b>	1	CAP DUST QD -12

# Manitowoc Cranes

Description  
**CARBODY ASSEMBLY**

**Assembly No.**  
**81023954**  
Revision: **M**

Item	FN	Part	Qty	Description
1		80111861	2	BRACKET BUBBLE LEVEL
2		4720140	6	GROMMET
3		7486000225	2	LEVEL, CIRCULAR
4		5483410	6	HEX LOCK NUT, 1/4 -20UNC GR C
6		6123570	6	HHCS
9		81024031	1	CARBODY MACHINING
10	+	81024034	1	SWIVEL MOUNTING PLATE ASSY
11	+	81024036	2	PIN PULLER CARBODY-CRAWLER
12	+	84030412	1	ESI CARBODY
13	+	81028815	1	HYD EQUIP CARBODY ASSY
14	+	81028817	1	CARBODY HYDRAZORB INSTALL
15		84049742	4	PIN CRAWLER
16		A126470	4	PIN SAFETY
18		7785241200	16	HSSS CUP 7/8-9 X 0.75
19		7126271754	4	SOCKET HEAD CAP SCREW
20		7951270210	4	L WASHER 20 FLZN DIN7980
22		84049856	4	RETAINER CARBODY PIN
23		7111040610	6	SLOT RMS #4-40UNCX0.75 G1
24		7094040	6	F WASHER, #4 ST SAE
25		7104500	6	WASHER, LOCK
26		7660041100	6	HEX NUT #4-40UNC SAE-2

+ SEE FURTHER BREAKDOWN THIS GROUP

# Manitowoc Cranes

Description  
**HYD EQUIP CARBODY ASSY**

Assembly No.  
**81028815**  
Revision: **C**

Item	FN	Part	Qty	Description
1	+	<b>81026883</b>	1	HYD EQUIP CARBODY VALVES
3	+	<b>81027449</b>	1	HYD LINES INSTL CARBODY
4	+	<b>81029218</b>	1	HYD LINES INSTL CBODY PIN PULL

+ SEE FURTHER BREAKDOWN THIS GROUP

# Manitowoc Cranes

Description

**HYD LINES INSTL CARBODY**

**Assembly No.**

**81027449**

Revision: F

Item	FN	Part	Qty	Description
1		3455120	4	CLAMP TUBE
2		3455130	8	CLAMP, TUBE
3		3455160	1	CLAMP TUBE
4		4316370	5	FLANGE ASSY SPLIT CODE 62
5		4316470	5	FLANGE ASSY SPLIT CODE 62
6		4316490	8	FLANGE ASSY SPLIT CODE 62
7		810043080	4	CAP DUST
8		810052050	2	Q DISCON FITTING
9	+	810114710	4	Q DISCON FITTING
10		810114770	4	FLANGE ASSY SPLIT CODE 62
11		810270370	2	CLAMP
12		810270380	6	CLAMP
13		810271010	12	CHANNEL ANCHOR CLAMP
14		810281650	2	TUBE PREFORMED
15		810281660	2	TUBE PREFORMED
16		810281840	2	TUBE PREFORMED
17		810284290	1	TUBE PREFORMED
18		810289230	2	TUBE PREFORMED
19		810289240	2	TUBE PREFORMED
20		810289250	2	TUBE PREFORMED
21		7128191554	4	SHCS M10x40 -12.9 ISO 4762
22		7128192354	8	CAP SCREW, M10X80 HEX SOCKET
23		7447161601	2	ADAPTER, STRAIGHT
				INCLUDES THE FOLLOWING PARTS
		7755021002	1	O-RING
		7755916002	1	O-RING
24		7573606917	1	HOSE ASSY 1.00 ID X 69 LG
25		7565204526	1	HOSE ASSY CODED
26		7568405074	1	HOSE ASSY CODED
27		7568405074	1	HOSE ASSY CODED
28		7568405274	1	HOSE ASSY CODED
29		7568405374	1	HOSE ASSY CODED
30		810056490	2	CAP DUST
31		810186630	2	NAMEPLATE
32		810186650	2	NAMEPLATE
33		810186660	2	NAMEPLATE
34		810269870	2	CHANNEL
35		810281900	4	SBCS M12 X 1.75 X 50 18-8 SS
36		7661210804	4	HEX LOCK NUT
37		7951190210	8	LOCK WASHER, 10MM

+ SEE FURTHER BREAKDOWN THIS GROUP

# Manitowoc Cranes

Description

**CARBODY HYDRAZORB INSTALL**

Assembly No.

**81028817**

Revision: **E**

Item	FN	Part	Qty	Description
1		<b>810250150</b>	10	CHANNEL ANCHOR CLAMP
2		<b>810250160</b>	4	CHANNEL ANCHOR CLAMP
3		<b>7128211254</b>	28	SHCS M12X25 12.9 FLZN ISO 4762
4		<b>7661210803</b>	28	HEX LOCK NUT

# Manitowoc Cranes

Description

**VALVE MANIFOLD ASSY 2 BK D03 2**

**Assembly No.**

**810136490**

**Revision: B**

Item	FN	Part	Qty	Description
1		<b>7034100</b>	1	VALVE MANIFOLD
2		<b>810270870</b>	2	VALVE PROPORTIONAL 3 POS, 4 WA

# Manitowoc Cranes

Description

**ROLLER ASSY CRAWLER INTER**

**Assembly No.**

**810240480**

Revision: **B**

Item	FN	Part	Qty	Description
1		<b>810240490</b>	1	ROLLER CRAWLER INTERMEDIATE 35
2		<b>810247920</b>	2	BUSHING 136.8X122.8X108 LG

# Manitowoc Cranes

Description  
**Q DISCON FITTING**

**Assembly No.**  
**810114700**  
Revision:

Item	FN	Part	Qty	Description
1		810120190	1	KIT, CARTRIDGE

# ***Manitowoc Cranes***

Notes

---

# ***Manitowoc Cranes***

Notes

---

# Manitowoc Cranes

Description  
**WINCH RIGGING ASSY**

**Assembly No.**  
**81024072**  
Revision: F

Item	FN	Part	Qty	Description
1		7094800	4	WASHER, FLAT
2	+	810099570	1	WINCH
6	+	810280071	2	GUIDE ASSY
7		7126242153	4	HHCS FULL THREAD
8		7661240003	4	HEX NUT M16
9	+	A131815	1	BLOCK .3125 IN WIRE ROPE, 4MT
12		7126151253	6	HHCS M6X25 8.8 FLZN 4017
13		7661150004	6	NUT, HEX - 6MM
14		7951150210	6	LOCKWASHER, 6MM I.D.
15		1363022	1	PIN 2 HOLE
16		810335630	2	PIN SAFETY
17		84028202	1	LINK CONNECT MACHINING
18		84035314	1	BRACKET WELD WINCH & LINK
19		7950140161	6	WASHER, 1/4" I.D. FLAT WIDE
20	+	84030729	1	ADAPTER RIGGING WINCH ASSY
21	+	84044934	1	WIRE ROPE RIGGING W/ FITTING

+ SEE FURTHER BREAKDOWN THIS GROUP

# Manitowoc Cranes

Description

**BLOCK .3125 IN WIRE ROPE, 4MT**

**Assembly No.**

**A131815**

**Revision: B**

Item	FN	Part	Qty	Description
1	+	A131810	1	BLOCK

+ SEE FURTHER BREAKDOWN THIS GROUP

# Manitowoc Cranes

Description

**CATWALK ASSY #500 12M HEAVY**

**Assembly No.**

**810300071**

**Revision: B**

Item	FN	Part	Qty	Description
1		84027007	8	HEX NUT
2		6124050	42	HHCS
3		810166910	23	WASHER SHOULDER
4		810169952	4	BRACKET
5		810266232	2	CATWALK
6		810278542	1	CATWALK
7		84031711	2	CABLE .75-10X381.50
8		810300912	2	CATWALK
9		810300922	2	CATWALK
10		810301722	1	LADDER
11		7114153664	23	C BOLT SQUARE
12		7126191450	4	HHCS M10X35 - 8.8 ISO 4014
13		7660152500	65	HEX LOCK NUT PA 5/16-18UNC SS
14		7661190803	4	HEX LOCK NUT M10 -8 ISO 7040
15		7950150141	107	F WASHER 5/16"
16		7950220141	8	F WASHER 3/4"
17		7951190014	8	F WASHER 10

# Manitowoc Cranes

Description  
**CHEEK WEIGHT KIT**

**Assembly No.**  
**810319814**  
Revision: **C**

Item	FN	Part	Qty	Description
401		<b>810333480</b>	2	BLOCK WEIGHT 620 KG
402		<b>810333490</b>	2	BLOCK WEIGHT 312 KG

# Manitowoc Cranes

Description

**GUIDE ASSY DRUM 2,3 LOWER**

**Assembly No.**

**81029022**

Revision: **B**

Item	FN	Part	Qty	Description
1		<b>5638230</b>	2	PIN SAFETY
2	+	<b>810258190</b>	2	SHEAVE ASSY
3		<b>810290232</b>	1	GUIDE MACH DRUM 2,3 LOWER
5		<b>810297312</b>	1	PLATE KEEPER
6		<b>810310602</b>	1	SHAFT 129.95 X 292.0 LG
7		<b>7127271453</b>	2	HHCS FULL THREAD
8		<b>81037335</b>	2	PIN 1 HOLE W/HD 38.0 DIA X 230

+ SEE FURTHER BREAKDOWN THIS GROUP

# Manitowoc Cranes

Description  
**ESI BOOM TOP WIRING**

**Assembly No.**  
**81025353**  
Revision: E

Item	FN	Part	Qty	Description
1		5469560	2	NUT PANEL
2		7114330	2	WASHER
3		810334830	1	WIRING HARNESS
4	+	81025948	1	ESI BOOM TOP
5		6670070	22	STRAP
6		6670080	8	STRAP
7		5469670	2	NUT PANEL
8		7114320	2	WASHER
9		84043744	8	MAGNET CABLE SUPPORT
10		84038496	1	ELEC CABLE BRD GRND STRAP 66.0
11		7126191153	2	HHCS M10X20 8.8
12		7951190580	2	SER WASHER 10 -HRC44-51 DIN 67
13		84038496	1	ELEC CABLE BRD GRND STRAP 66.0
14		84038491	2	ELEC CABLE ADAPTER

+ SEE FURTHER BREAKDOWN THIS GROUP

# Manitowoc Cranes

Description

**ESI POSITION LIGHT & ANEMOMETE**

Assembly No.

**810316421**

Revision: D

Item	FN	Part	Qty	Description
1		2898180	1	BUSHING, COMPOSITE
2		5460530	2	NUT, HEX
3		5638710	2	PIN, SAFETY
4		6124070	2	HHCS 5/16-18UNC X 1.25 GR 5
5		7103030	2	WASHER, LOCK
6		810070010	2	WIRE
7		810070020	4	SLEEVE
8	+	810209900	1	SENSOR WIND SPEED
9	+	810250570	1	SUBASSY POSITION LIGHT
10		80126333	1	BRACKET WIND SPEED CWT
11		810316432	1	BRACKET
12		7121130801	3	MACHINE SCREW
13		7661240103	1	NUT
14		7951240014	1	FLATWASHER 16MM I.D.
15		80126334	1	BRACKET WIND SPEED MOUNT
16		7126151253	4	HHCS M6X25 8.8 FLZN 4017
17		7661150003	4	NUT, HEX
18		7951150014	8	F WASHER

+ SEE FURTHER BREAKDOWN THIS GROUP

# Manitowoc Cranes

Description  
**ESI WIRE ROPE GUIDE**

Assembly No.  
**81042564**  
Revision: **B**

Item	FN	Part	Qty	Description
1		<b>6670070</b>	6	STRAP
2		<b>810245850</b>	1	WIRING HARNESS WBT3
3		<b>810245870</b>	1	WIRING HARNESS

# Manitowoc Cranes

Description  
**SHEAVE ASSY #500 LOWER POINT**

**Assembly No.**  
**81034795**  
**Revision: C**

Item	FN	Part	Qty	Description
1		1715852	3	SHIM
2		1715862	1	SHIM
3	+	81027766	2	SHEAVE BANK ASSY #500 LOWER PT

+ SEE FURTHER BREAKDOWN THIS GROUP

# Manitowoc Cranes

Description

**CATWALK #500 12M MED W/EQ**

**Assembly No.**

**81036544**

**Revision: B**

Item	FN	Part	Qty	Description
1		84027007	8	HEX NUT
2		6124050	42	HHCS
3		810166910	39	WASHER SHOULDER
4		810169952	2	BRACKET
5		810266232	2	CATWALK
6		810279012	1	CATWALK
7		810053140	2	TIE WIRE
8		810301722	1	LADDER
9		81037013	2	CATWALK 241.9MM X 1066.5MM
10		81037015	2	CATWALK 120.7 MM X 2409.6 MM
11		81037016	2	CATWALK 120.7 MM X 2981.0 MM
12		81037019	2	CATWALK 685.7MM X 733.3MM
13		81037191	1	CATWALK 723.9 MM X 3666.8 MM
14		7114153664	39	C BOLT SQUARE
15		7126191450	4	HHCS M10X35 - 8.8 ISO 4014
16		7660152500	81	HEX LOCK NUT PA 5/16-18UNC SS
17		7661190803	4	HEX LOCK NUT M10 -8 ISO 7040
18		7950150141	123	F WASHER 5/16"
19		7950220141	8	F WASHER 3/4"
20		7951190014	8	F WASHER 10

# Manitowoc Cranes

Description

**INSERT ASSY 12M M #500**

**Assembly No.**

**810278080**

Revision: E

Item	FN	Part	Qty	Description
1		5620850	8	PIN COTTER
2		5621720	2	PIN COTTER
3		5636400	4	SAFETY PIN
4		84024200	4	SAFETY PIN
5		810249512	4	PIN 1 HOLE W/HD
6		810249552	4	LINK
8		810254722	4	CLAMP CABLE
9		81027401	2	STRAP 11.78M #500
11		810277822	2	PIN 2 HOLE
12		810277952	2	TIMBER
13		81027809	1	INSERT WELD, #500 12M BRACKET REF 0-2257 FOR LACINGS (DWG 81027810)
14	+	810279002	1	CATWALK ASSY #500 12 M INSERT
15		810294422	2	BRACKET
16		810294472	4	BRACKET
17		810294520	2	BRACKET
18		7126151150	8	CAP SCREW, M6X20 HEX HEAD
19		7126191850	24	HHCS M10x55 -8.8 ISO 4014
21		7661150803	8	NUT NYLOC
22		7661190803	32	HEX LOCK NUT M10 -8 ISO 7040
23		7951150014	16	F WASHER
24		7951190014	64	F WASHER 10
25		A117992	4	PIN 2 HOLE
26		A118002	4	COLLAR
27		84026091	2	PIN 2 HOLE
28		A165342	2	PIN 1 HOLE W/HD
29		5620640	4	PIN COTTER
31		84020079	2	PIN 2 HOLE 19.1 DIA X 241.2 LG
32		84023910	2	PLATE 6X80X146.8
33		84023912	2	PLATE 6X80X80
34		7126191353	8	HHCS

+ SEE FURTHER BREAKDOWN THIS GROUP

# Manitowoc Cranes

Description  
**ESI UPPER BOOM POINT**

**Assembly No.**  
**81034286**  
**Revision: C**

Item	FN	Part	Qty	Description
1		0936572	1	BLOCK
2		1680912	1	LUG
3		3341010	8	CHAIN
4		5469560	1	NUT PANEL
5		5638230	1	PIN SAFETY
6		6246330	3	SHACKLE
7		6670060	11	STRAP
8		6670070	2	STRAP
9		7114330	1	WASHER
10		80042207	3	ELECTRIC COMPONENT MNTG CLIP
11		810241160	1	CAP DUST SIZE 24
12	+	810245682	1	A2B DEVICE
13		810254612	1	BRACKET
14		81034287	1	WIRING HARNESS WBU1
15		810347192	1	WEIGHT LIMIT SWITCH
16		7126190753	2	SCR CAP HEX HD M10-1.5 X 10 8.
17		7126191253	2	HHCS
18		7661190003	14	NUT, HEX 10MM
19		7951190014	4	F WASHER 10
20		7951190210	14	LOCK WASHER, 10MM
21		810070010	1	WIRE
22		810070020	2	SLEEVE
24		84034047	2	BRACKET A2B POSITION
25		7126191353	12	HHCS

+ SEE FURTHER BREAKDOWN THIS GROUP

# Manitowoc Cranes

<u>Description</u> <b>MAST SUPPORT ASSY</b>				<b>Assembly No.</b> <b>81039609</b> Revision: E
Item	FN	Part	Qty	Description
1		5637900	2	PIN, HAIR COTTER
2		5638170	4	PIN, HAIR COTTER
3		5638710	3	PIN, SAFETY
4		810052462	4	PIN COTTER
5		810138560	2	PIN WIRE LOCK
6		81039220	2	BLOCK NYLON
7		81039221	2	PIN WITH HEAD 30.0 DIA X 87.0
8		81039224	2	PIN WITH HEAD 26.0 DIA X 63.5
9		81039225	2	PIN WITH HEAD 15.0 DIA X 47.0
10		81039228	4	PIN WITH HEAD 40.0 DIA X 47.0
11		81039229	2	PIN 20.0 DIA X 38.0 LG
12		81039617	2	BRACKET MACHINING
13		81039741	1	STRUT MACHINING RH
14		81039791	2	STRUT MACHINING
15		81039828	1	STRUT MACHINING LH
16		81039831	1	EQUALIZER MACHINING RH
17		81039835	1	EQUALIZER MACHINING LH
18		81040017	2	PIN W/HD 35.0 DIA X 186.0 LG
19		81040018	1	PIN W/HD 35.0 DIA X 166.0 LG
20		81040574	4	SHIM NYLON 3.2 MM
21		81040577	4	SHIM NYLON 1.0 MM
22		81040648	4	SHIM NYLON 4.8 MM
23		81040649	4	SHIM 3.2 MM
24		81040650	4	SHIM NYLON 1.0 MM
27	+	81040796	1	HINGE SUPPORT ASSY
28		81041241	2	PIN QUICK RELEASE 12.7 MM X 88
29		81041245	4	RETAINING RING 26.0 MM DIN 471
30		81041261	4	RETAINING RING 40.0 DIN 471
31		81041329	2	PIN HAIR .17" DIA X 3.75" LG
32		81041359	12	SHIM NYLON 4.8 MM
33		81041361	8	SHIM NYLON 9.5 MM
34		7126241453	8	HHCS M16x35 -8.8 ISO 4017
36		7127191454	8	SCR SKT HD
38		7951240014	8	FLATWASHER 16MM I.D.
39		7951270014	12	F WASHER
40		7126271653	12	HHCS M20X45 -8.8 ISO 4017

+ SEE FURTHER BREAKDOWN THIS GROUP

# Manitowoc Cranes

Alphabetical Index	Appendix A	
Description	Part	Page
<b>BUSHING</b>	A042610	147
	A091420	1005
	A124220	47, 58
	A176330	58
<b>BUSHING 1.004 X 1.189 X 1.25</b>	2900130	381, 435
<b>BUSHING 127 OD X 114.3 ID X 69</b>	81038153	1053
<b>BUSHING 136.8X122.8X108 LG</b>	810247920	863
<b>BUSHING 165 X 150 X 60 POLY</b>	81042540	217
<b>BUSHING 63.5X26.3X65.0</b>	81042859	193
<b>BUSHING 80.83X65.28X44.0 LG</b>	84037152	865
<b>BUSHING COMPOSITE 2.76 X 3.25</b>	810257790	903
<b>BUSHING LOWER DOOR TROLLEY</b>	A030020	13
<b>BUSHING, ALUM BRONZE</b>	810262350	139
<b>BUSHING, COMPOSITE</b>	2898180	983
	810283800	221
	810292880	215
<b>BUSHING,ECCENTRIC JOURNAL</b>	A026270	23, 27
<b>BUSHING,STATIONARY</b>	A026260	23, 27
<b>BUTT MACHINING</b>	810280372	893
<b>C BOLT</b>	2442030	297
	2442050	297
	7115152664	159
<b>C BOLT SQUARE</b>	7114153664	215, 907, 935, 997, 1019, 1025, 1033
<b>CAB ASSY</b>	810243544	3
<b>CAB PART</b>	2982340	43
<b>CAB SUPPORT</b>	810239802	147
	810239812	147
<b>CAB WELDMENT VISION CAB</b>	81023176	13
<b>CABLE</b>	2972140	65
	80129369	279, 281, 383, 437, 633, 645, 665, 981, 1049
<b>CABLE .75-10 X 339.50 (IN)</b>	84032550	997
<b>CABLE .75-10X381.50</b>	84031711	935
<b>CABLE ASSY. 6M</b>	90037547	667
<b>CABLE ELEC</b>	A134920	669
	A171070	47, 58
	A202860	65
<b>CABLE ELEC GROUND</b>	81038069	619
<b>CABLE ELEC APU DC POSITIVE</b>	81042570	795
<b>CABLE ELEC CCTV 4 PIN 5 METER</b>	810075610	655
<b>CABLE ELEC CCTV 4 PIN 6 METER</b>	810074470	607, 655, 663
<b>CABLE ELEC CCTV 4 PIN 8 METER</b>	810075630	609, 661
<b>CABLE ELEC GRACO AUTOLUBE</b>	80119470	119, 885

From - BUSHING

To - CABLE ELEC GRACO AUTOLUBE

# Manitowoc Cranes

Alphabetical Index	Appendix A	
Description	Part	Page
ELEC CABLE	2974710	623
	810246180	619
	810246190	619, 669
	810256660	937
	810274280	669
	810348300	905
	81041508	615
	81041830	219
	A172140	623
	A183140	58
ELEC CABLE ADAPTER	84038491	219, 971
ELEC CABLE BED TO LIGHT EXT	81040874	649
ELEC CABLE BRAIDED GROUNDSTRAP	81029278	623
ELEC CABLE BRD GND STRAP 36.00	80120137	58
ELEC CABLE BRD GND STRAP 60.00	84036012	219
ELEC CABLE BRD GRND STRAP 66.0	84038496	971
ELEC CABLE GROUNDING CAP	84032352	619
	84032353	219
ELEC CABLE LIVE MAST GROUND	81041831	619
ELEC CABLE WAA1	81042498	687
ELEC CABLE WATER VALVE	84039650	758
ELEC CABLE WBB5 (CCTV)	84020656	611
ELEC CABLE WBR3 (CCTV)	81041735	657
ELEC COMPONENT SHORTING 3 POLE	81023469	665
ELEC CONNECTOR	5724090	635
	84043139	636
	84043140	636
	84043141	636
ELEC CONNECTOR CAN TERM 14P	81035715	619
ELEC CONNECTOR CONDUIT SEALTIT	3640660	681
ELEC CONNECTOR DT06-3S-EP11	81036358	813
ELEC CONNECTOR F 3P4W 60A	81038873	681
ELEC PANEL JUNCTION BOX	84036364	636
ELECTRIC COMPONENT MNTG CLIP	80042207	69, 630, 639, 669, 1043
ELECTRICAL CABLE SERVICE LIGHT	84018797	651
ELECTRICAL CABLE SETUP REMOTE	81030583	647
ELECTRONIC CONTROL UNIT	03313303	63, 973
	80069035	275, 629, 813
ELECTRONIC CONTROL UNIT ASSY	810056070	39
ENCODER ABSOLUTE	810258710	315
ENCODER ASSY VPC POSITION	81040002	267
ENERGY CHAIN	81025600X	287
ENERGY CHAIN ASSY SHIPPING	81042362	267
ENERGY CHAIN TRAY SUPPORT	810357471	298

From - ELEC CABLE

To - ENERGY CHAIN TRAY SUPPORT

# Manitowoc Cranes

Alphabetical Index	Appendix A	
Description	Part	Page
HHCS M8x35 -8.8 ISO 4017	7126171453	163, 461, 531
HHCS M8x45 -8.8 ISO 4017	7126171653	559, 603
HHCS M8x55 -8.8 ISO 4017	7126171853	331
HHCS M8X60 SS ISO 4017	7126171953	757
HHCS M8x65 -8.8 ISO 4014	7126172050	495
HHCS M8x65 -8.8 ISO 4017	7126172053	470
HHCS M8x75 -8.8 ISO 4014	7126172250	461
HHCS M8X80 8.8 FLZN 4017	7126172353	504
HINGE 2.0WX.125PINX.06THK	810333992	733
HINGE 4.0 X 4.0 X .38 PIN SS	81039845	189
HINGE COOLER ENCLOSURE	81029477	743, 745, 747
	81031905	775, 777, 779
HINGE SUPPORT ASSY	81040796	1055
HINGE SUPPORT WELDMENT	81040797	1057
HINGE, WINDOW	A026170	19
HOIST ASSY LUFFING HOIST	810277041	381
HOIST FRAME	810240172	427
	810252912	355
	810252922	355
	810277072	391
	810279502	381
HOIST FRAME LIVE MAST	810240182	427
HOLDER, CUP	4838130	31
HOOK BOLT J 1/2 INCH	810329362	973
HOOK STORAGE SINGLE PRONG	81042620	29
HOOK, HANGER	4844130	31
HORN, HIGH	A011090	3
HORN, LOW	A011100	3
HOSE	4859570	235
	6575208040	739
	7555306572	588
	7555510602	588
	7555512202	587
	7555513000	587
	810111680	739
	810137070	739
	810139250	757, 787
	810149980	739
	810249410	231, 719
	810255040	739
	810278810	739
	810280850	739
	9974220385	917
	A018320	739
	A050670	729
HOSE 0.125 ID (200 FT ROLL)	80118725	119, 885

From - HHCS M8x35 -8.8 ISO 4017

To - HOSE 0.125 ID (200 FT ROLL)

# Manitowoc Cranes

Alphabetical Index	Appendix A	
Description	Part	Page
MONITOR, LED	810243990	615
MOTOR HYD PISTON	A056890	125
MOTOR, HYDRAULIC	90024322	917
MOUNT	5366480	21
	810137520	615, 630
	810209530	57
	81037620	159, 197, 199
MOUNT CABLE TIE	5367770	75
MOUNT ISOLATOR	5367750	703
MOUNT MONITOR CCTV 7 INCH	810065650	615
MOUNT MOTOR	810269952	703
MOUNT TRACK DOOR FRONT	A02147	13
MOUNT TRACK DOOR REAR	A029690	13
MOUNT VIBRATION ISOLATOR	A117070	740
MTW BLACK AEROSOL	8878707461	1029
MTW RED AEROSOL	8878707460	1029
NAME TAG & WARNING INFO KIT	90018543	925
NAMEPLATE	5397480	677, 679, 681
	810019600	47
	810186080	413, 581
	810186090	413, 581
	810186100	413
	810186110	413, 581
	810186130	421, 597
	810186140	407, 559
	810186150	407, 559
	810186200	893
	810186210	443, 517
	810186220	443, 517
	810186230	443, 517
	810186250	443, 517
	810186280	421, 597
	810186450	569
	810186530	553, 603
	810186540	553, 603
	810186630	827
	810186640	833
	810186650	827
	810186660	827
	810186670	833
	810186700	588
	810186710	588
	810187120	421, 597
	810197730	57
	810199550	47
	A025990	47
NAMEPLATE CONSOLE DISPLAYS	80120131	57
NAMEPLATE CONSOLE FRONT RH	81041899	57
NAMEPLATE ENGINE START VPC	81037051	57
NAMEPLATE ID TAG ROUND #001	81018601	287

From - MONITOR, LED

To - NAMEPLATE ID TAG ROUND #001

# Manitowoc Cranes

<b>Alphabetical Index</b>	<b>Appendix A</b>	
Description	Part	Page
PLUG (SAE -4), HEX HEAD	4280020	457
PLUG (SAE 8)	9372220306	211
PLUG (SAE -8)	810122920	397, 469, 501, 541
PLUG (SAE-4)	9372220009	211
PLUG (SAE-6)	9372220163	211
PLUG ASSEMBLY, ELECTRICAL SEAL	810248390	987
PLUG CSP OUTLET DOUBLER M10	80118998	119, 885
PLUG DUST	810205450	219, 619, 629
PLUG ELEC SEALING SIZE 4	5724130	635
PLUG ELECTRICAL	7364100128	813
	810152040	119, 885
PLUG ELECTRICAL SEALING CAP AS	81028884	605
PLUG FEMALE	5723490	65
PLUG FLANGE 0.75 CODE 62	84037620	493
PLUG HOLE	810148362	345
	A028560	3, 43
PLUG SAE #12	7711120002	605
PLUG SEALING	5725230	635
PLUG, 1" BUTTON	7242000021	723
PLUG, 2-PASS DEUTSCH DTP	7709100891	813
PLUG, 3 PIN	7709100902	69, 619
PLUG, BREATHER	A194200	355
PLUG, L SERIES LH1 PANEL	7242100005	58
PLUG, O-RING	4282660	469
PLUG, PIPE	5717030	749
	5717040	859
PLUG, SOC HD (#10 MAGNETIC)	9974220431	918
PLUG, SOCKET HEAD	90024340	918
PLUG, SPEED SENSOR	84024269	371, 405, 439
POTENTIOMETER	A023050	73
POWER SUPPLY	A118130	63
PRESSURE SWITCH VAR. 1200-4500	84024314	119, 886
PRINTED PANEL DRUM HANDLES	84032685	57
PROBE, EVAPORATOR	9515220019	39
PROTECTOR	5811170	603
PUMP	810247200	705
	810247210	705
	810247240	705
	810247260	705
	81040655	705
PUMP CRAWLER TENSIONING	81041177	229
PUMP ELEMENT 0.25 NPSF PORT	80118988	885

From - PLUG (SAE -4), HEX HEAD

To - PUMP ELEMENT 0.25 NPSF PORT

# Manitowoc Cranes

Alphabetical Index	Appendix A	
Description	Part	Page
STRUT ASSY ROT BED UPPER	810286882	111
STRUT MACHINING	81039791	1055
STRUT MACHINING LH	81039828	1055
STRUT MACHINING RH	81039741	1055
STUD	810291962	275
	A030240	23, 27
STUD STANDOFF 38 HEX M-F 3.0	81025613	636
STUD, SELF CLINCHING CAPTIVE	A026890	17
SUBASSY POSITION LIGHT	810250570	983
SUN VISOR	A022850	31
SUPPORT	9974102645	917
SUPPORT CHAIN WELDMENT	810357482	309
	810357492	309
SUPPORT, MOTOR	9974102335	917
SWITCH 2 POS MAINTAINED	672760	635
SWITCH ASSY PRESSURE, 29 PSI	81038756	223
SWITCH CONTROL	90048505	5
SWITCH KEY 2 POS	A096000	58
SWITCH KEY 2 POS MAINTAINED	6727550	635
	81041820	659
SWITCH KEY 3 POS	A095990	58
SWITCH KEY 3 POS CTR RETURN	81037055	653
SWITCH LIMIT ARM	810161370	629
SWITCH MOMENTARY NO HORN	81035522	57
SWITCH PUSH BUTTON	A082230	43
SWITCH PUSH BUTTON RED	81037980	58
SWITCH ROCKER	810214650	57
SWITCH VACUUM HYDRAULIC	84041621	457
SWITCH, CAB TILT	7872100188	137
SWITCH, HI/LOW	6727060	761
SWITCH, LEVER ARM FIXED	810161360	277, 383, 437, 665, 977, 1045
SWITCH, LIMIT	810161270	279, 281, 383, 437, 633, 665, 981, 1049
	810161350	645
SWITCH, L-SERIES BEACON LIGHT	7872100159	155
SWITCH, MAST ARMS	7872100194	58
SWITCH, PANEL LIGHTS	7872100191	58
SWITCH, PARK BRAKE	7872100190	58, 115, 123
SWITCH, TRAVEL SPEED	7872100189	58
SWITCH, WORK LIGHTS	7872100192	613

From - STRUT ASSY ROT BED UPPER

To - SWITCH, WORK LIGHTS

# Manitowoc Cranes

Numeric Index		Appendix B
Part	Description	Page
1953192	PIN	785
1956662	PIN 2 HOLE	435
1963692	ELBOW RUBBER, MODIFIED 407040	739
1963992	PIN	1041
1970252	DECAL CAUTION-WELDING	89
2241950	BEARING, BALL	895
2250190	BEARING	1003, 1009, 1051
2250650	BEARING ROLLER	953, 957, 961, 965, 991
2251050	BEARING LOCKNUT	1053
2251110	BEARING LOCK WASHER	1053
2254890	BEARING	73
2256650	BEARING, SPHERICAL ROLLER	355, 391, 427
2361430	FUSE BLOCK	635
2442030	C BOLT	297
2442050	C BOLT	297
2491980	SQ BOLT	753
2503890	HHCS	753
2504530	HHCS	457
2528810	SCREW, SOCKET SET	977, 1045
2752290	BREAKER CIRCUIT	681
2752330	BREAKER CIRCUIT	675
275324	BREAKER CIRCUIT 120 AMP	635
2888300	PIPE, HEX BUSHING	223
2897970	BUSHING	643
2898180	BUSHING, COMPOSITE	983
2898230	BUSHING	393
2898270	BUSHING	147
2898290	BUSHING	381, 435
2900130	BUSHING 1.004 X 1.189 X 1.25	381, 435
2900240	BUSHING	435
2967160	CABLE PER FOOT	799
2971480	CABLE WIRE #4 THHN WHITE	681
2971490	CABLE WIRE #4 THHN BLACK	681
2971810	CABLE, LO-TEMP	987
2972110	CABLE, WIRE	279, 281, 383, 437, 633, 645, 665, 981, 1049
2972140	CABLE	65
2974710	ELEC CABLE	623
2977100	CABLE WIRE 6 AWG-BLACK	637
2977170	CABLE WIRE 16 AWG STRANDED GRE	675

From - 1953192

To - 2977170

# Manitowoc Cranes

Numeric Index		Appendix B
Part	Description	Page
7118182650	HHCS 1/2-13UNC X 3.25 GR8	513
7118183650	HHCS 1/2-13UNCx4.5 G8	513
7121060801	SLOT PMS	67
7121130601	Slot PMS M5x8 -4.8 ISO 1580	615
7121130801	MACHINE SCREW	615, 983
7121171301	SLOT PMS	757, 967
7126110953	HHCS M4x14 -8.8 ISO 4017	77, 339
7126111053	HHCS M4X16 8.8 ISO 4017	655
7126111253	HHCS M4x25 -8.8 ISO 4017	63, 619
7126130853	HHCS M5x12 -8.8 ISO 4017	625
7126131153	HHCS M5x20 -8.8 ISO 4017	219, 607, 609, 655, 665, 905, 973
7126131154	SHCS	675, 989
7126131254	SHCS	989
7126131353	HHCS M5x30 -8.8 ISO 4017	315, 795
7126131654	SHCS M5x45 -8.8 ISO 4762	383
7126131754	SHCS M5x50 -8.8 ISO 4762	665
7126150753	HHCS M6x10 -8.8 ISO 4017	669
7126150853	CAP SCREW, M6X12 HEX HEAD	470
7126150854	SHCS M6X12	371, 405, 439
7126150950	CAP SCREW, M6 X 14MM HEX HEAD	630
7126151053	CAP SCREW, M6 X 16MM HEX HEAD	119, 147, 443, 471, 729, 743, 745, 747, 753, 757, 775, 777, 779, 787
7126151150	CAP SCREW, M6X20 HEX HEAD	657, 885, 931, 968, 1015, 1023, 1031
7126151153	HHCS M6X20 SS ISO 4017	147, 209, 275, 629, 671, 681, 743, 745, 747, 775, 777, 779, 799, 889, 1057
7126151253	HHCS M6X25 8.8 FLZN 4017	671, 729, 795, 911, 983
7126151350	CAP SCREW, M6X30 HEX HEAD	787
7126151353	CAP SCREW, M6X30 HEX HEAD	148, 795, 937
7126151453	HHCS M6x35 -8.8 ISO 4017	77, 483, 531
7126151553	HHCS	315
7126151653	CAP SCREW	885
7126151753	CAP SCREW, M6X50 -8.8 ISO 4017	119
7126152053	HHCS M6x65 -8.8 ISO 4017	275, 629, 813, 973
7126152253	HHCS M6x75 -8.8 ISO 4017	541
7126170853	HHCS M8x12 -8.8 ISO 4017	471, 619, 623
7126170953	HHCS M8x14 -8.8 ISO 4017	559
7126171053	HHCS M8X16 SS ISO 4017	69, 119, 147, 331, 373, 443, 542, 651, 655, 669, 739, 869

From - 7118182650

To - 7126171053

# Manitowoc Cranes

Numeric Index		Appendix B
Part	Description	Page
7555502802	HOSE ASSY,3/4" I.D. X 28" LONG	446
7555503003	HYD HOSE ASSY	259
7555503201	HOSE ASSY, 3/4" I.D. X 32" LONG	293, 542
7555503471	HOSE ASSY CODED	259
7555503702	HOSE ASSY CODED	503
7555503801	HOSE ASSY, 3/4" I.D. X 38" LONG	293
7555504281	HOSE ASSY, 3/4" I.D. X 42" LONG	553
7555504400	HYDR HOSE ASSY	517
7555504401	HOSE ASSY, 3/4" I.D. X 44" LONG	407, 605
7555504471	HOSE ASSY CODED	259
7555504600	HOSE ASSY CODED	407
7555504601	HOSE ASSY, 3/4" I.D. X 46" LONG	503
7555504602	HOSE ASSY	503
7555504603	3/4" I.D. HYDR HOSE ASSY STR-	259
7555504701	HOSE ASSY .75 ID X 47 LG	399
7555505501	HOSE ASSY .75 X 55 LG	503
7555506701	HOSE ASSY .75 ID X 67 LG	569
7555506803	HOSE ASSY .75 X 68 LG	547
7555506871	3/4" I.D. HYDR HOSE ASSY STR-9	259
7555507073	HOSE ASSY CODED	259
7555507102	HOSE ASSY 0.75 X 91 STR/45	541
7555509103	HOSE ASSY 0.75 X 91 STR/90	541
7555509180	HOSE ASSY CODED .50 ID X 69 LG	603
7555509680	HOSE ASSY	603
7555510602	HOSE	588
7555512012	HOSE ASSY 0.75 ID X 120 LG	553
7555512061	HOSE ASSY, 3/4" I.D. X 120" LONG	603
7555512202	HOSE	587
7555512500	3/4" HYD HOSE ASSY STR X STR	569
7555512502	HOSE ASS'Y-3/4 ID STR-45 OES	503
7555512600	HOSE ASSY	259, 541, 559
7555513000	HOSE	587
7555513103	HOSE ASSY .75 X 131 LG	547
7555513601	3/4" ID HYD HOSE ASSY STR-90	259
7555514001	HOSE ASSY 0.75 ID X 140 LG	259
7555514103	HOSE ASSY 0.75 ID X 141 LG	259
7555515763	HOSE ASSY CODED	287
7555516261	HOSE ASSY	287
7555516863	HOSE ASSY CODED	287

From - 7555502802

To - 7555516863

# Manitowoc Cranes

Numeric Index		Appendix B
Part	Description	Page
80133268	WIRING HARNESS MOD DRUM 1	605
80135746	TOOL TAPE MEASURE	229
810006580	BATTERY	753
810008490	TERMINAL	635
810010242	PIN 2 HOLE	1039
810010960	RECEPTACLE WITH WEDGE LOCK	615
810012832	PLATE KEEPER	209
810015300	DECAL WARNING READ MANUAL	89
810018650	ALARM	275, 629
810019600	NAMEPLATE	47
810021730	CCTV SWITCHER	655
81002432	RELAY AUTOMOTIVE SPST-NO	635
810030000	FITTING ADAPTER STRAIGHT, .25	739
810032492	BRACKET	47, 57
810034210	PHIL TMS	13, 57, 615
810037660	BATTERY	675
810039130	Q DISCON FITTING	229, 287, 517, 559, 569, 581, 597, 869
810039140	Q DISCON FITTING	259, 331, 373, 407, 413, 421, 443, 501, 587, 833
810039150	CAP DUST	319, 331, 407, 413, 421, 443, 501, 587, 833
810039160	CAP DUST	229
810041210	LOAD CENTER 12 SPACES	681
810042800	Q DISCON FITTING	443
810043080	CAP DUST	413, 421, 443, 587, 827
810043270	ROLLER	369
810044730	CAMERA CCTV AUTOFOCUS ZOOM	667
810047950	BUMPER RUBBER	351
810048570	FITTING QUICK DISC NIPPLE	413, 421
810049590	CAP DUST	5
810052050	Q DISCON FITTING	373, 588, 827
810052060	Q DISCON FITTING	569, 869
810052462	PIN COTTER	1055
81005252	RECEPTACLE 1/4 TURN	325
810053140	TIE WIRE	1019, 1025, 1033
810054870	CLAMP	729
810054880	CLAMP	729
810056070	ELECTRONIC CONTROL UNIT ASSY	39
810056490	CAP DUST	588, 827

From - 80133268

To - 810056490

CLICK HERE TO **DOWNLOAD** THE COMPLETE MANUAL

- Thank you very much for reading the preview of the manual.
- You can download the complete manual from: [www.heydownloads.com](http://www.heydownloads.com) by clicking the link below



- Please note: If there is no response to CLICKING the link, please download this PDF first and then click on it.

CLICK HERE TO **DOWNLOAD** THE COMPLETE MANUAL