

Manitowoc Cranes MACHINE COMPONENT INDEX

Date: September 20, 2021

Rev: 001

| <u>Model Number</u> MLC300 | | <u>Serial Number</u> 3001096 | |
|-------------------------------|-----------|---------------------------------|------|
| Item | Part | Description | Page |
| | | ROTATING STRUCTURE | |
| 1 | 81021912 | CAB ASSY 24V CCS | 3 |
| | 81022373 | SEAT ASSY CAB | 5 |
| | 810243544 | CAB ASSY | 7 |
| | 810218742 | EXTERIOR EQUIP CAB ASSY | 13 |
| | 81021878 | DOOR ASSY CAB | 17 |
| | 81021879 | WINDOW ASSY CAB | 19 |
| | 810219011 | WINDSHIELD WIPER ASSY CAB | 21 |
| | A027140 | ROLLER ASSY CAB DOOR FRONT TRO | 23 |
| | 810302802 | BRAKE ASSY CAB DOOR BRAKE | 25 |
| | A037000 | ROLLER ASSY | 27 |
| | 810218752 | INTERIOR EQUIP CAB AIR DUCTS | 29 |
| | 81021876 | INTERIOR EQUIP CAB ASSY | 31 |
| | 810218772 | INSULATION ASSY CAB | 33 |
| | 80113630 | HVAC ASSY CAB | 35 |
| | 84039648 | HVAC KIT CAB INSIDE PARTS | 37 |
| | 90046833 | PEDESTAL UNIT | 39 |
| | 810223752 | MAT FLOOR ASSY CAB | 41 |
| | 80113624 | CONSOLE CONTROL ASSY CAB | 43 |
| | 81019747 | CONSOLE LEFT HAND ASSY | 47 |
| | A024680 | CONTROLLER, JOYSTICK | 51 |
| | 80123310 | LIGHT ASSY CONSOLE BACKLIGHT | 53 |
| | 81037044 | CONSOLE RIGHT HAND ASSY | 57 |
| | 84054782 | DISPLAY CCS COLOR | 61 |
| | 810240861 | ESI CONSOLE RIGHT HAND | 63 |
| | A032981 | ACCESSORY RADIO ASSY | 65 |
| | 81036291 | ESI R CONSOLE RECPT | 67 |
| | 81039868 | ESI CAN RECEPTACLE MOUNT | 69 |
| | 80123310 | LIGHT ASSY CONSOLE BACKLIGHT | 71 |
| | A02019 | FOOT PEDAL ASSY THROTTLE CONTR | 73 |
| | 81025906 | ESI CAB INTERIOR WIRING | 75 |
| | 80125411 | ESI RCL LIGHT | 77 |
| 1 | 80116194 | VPC ROT BED WELD/MACHINE | 79 |
| | 80115554 | ROTATING BED VPC COMPONENTS | 81 |

CLICK HERE TO **DOWNLOAD** THE COMPLETE MANUAL

- Thank you very much for reading the preview of the manual.
- You can download the complete manual from: www.heydownloads.com by clicking the link below



- Please note: If there is no response to CLICKING the link, please download this PDF first and then click on it.

CLICK HERE TO **DOWNLOAD** THE COMPLETE MANUAL

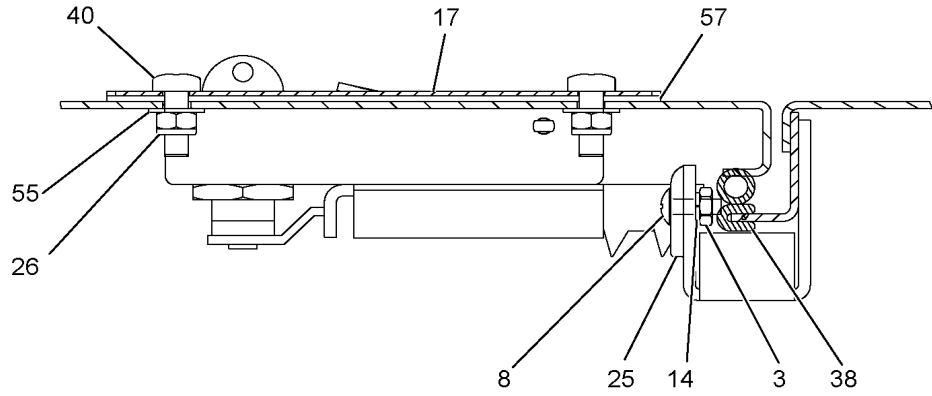
Manitowoc Cranes MACHINE COMPONENT INDEX

Date: September 20, 2021

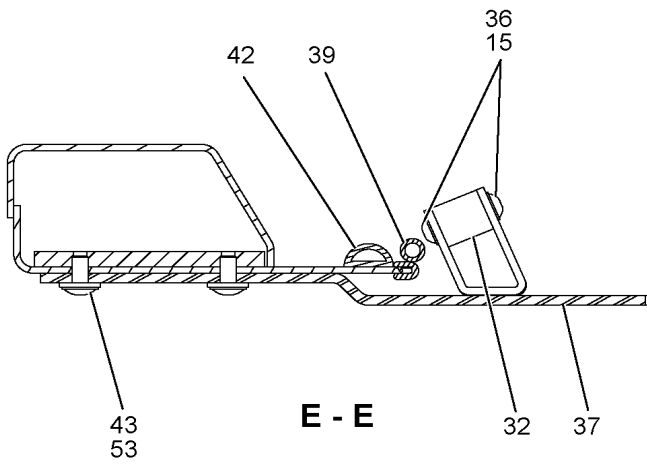
Rev: 001

| <u>Model Number</u> MLC300 | | <u>Serial Number</u> 3001096 | |
|-------------------------------|-----------|---------------------------------|--------|
| Item | Part | Description | Page |
| | 810296271 | GUIDE ASSY | 991 |
| | 810300071 | CATWALK ASSY #500 12M HEAVY | 993 |
| | 810338541 | ESI 12M INSERT | 995 |
| 13 | 80112862 | DECAL KIT MLC300 BOOM INS W/EQ | 997 |
| | 81041859 | DECAL INSERT LIFTING | NO DWG |
| | 81017794 | DECAL-PERSONNEL TIE DOWN POINT | NO DWG |
| | 810121832 | DECAL WARNING FALL PROTECTION | NO DWG |
| | 1941832 | DECAL (EN) CAUTION BOOM EQUALI | NO DWG |
| 13 | 84050217 | LUFFING JIB RIGGING LJ ON B65 | NO DWG |
| 14 | 81030008 | INSERT LUFF JIB PREP 12M HEAVY | 999 |
| | A120120 | SHEAVE ASSY RIG WINCH ZINC RIC | 1001 |
| 14 | 80112861 | DECAL KIT MLC300 BOOM INSERT | 1003 |
| | 81041859 | DECAL INSERT LIFTING | NO DWG |
| | 81017794 | DECAL-PERSONNEL TIE DOWN POINT | NO DWG |
| | 810121832 | DECAL WARNING FALL PROTECTION | NO DWG |
| 15 | 80112861 | DECAL KIT MLC300 BOOM INSERT | 1005 |
| | 81041859 | DECAL INSERT LIFTING | NO DWG |
| | 81017794 | DECAL-PERSONNEL TIE DOWN POINT | NO DWG |
| | 810121832 | DECAL WARNING FALL PROTECTION | NO DWG |
| 16 | 81027946 | GUIDE ASSY DRUM 6 UPPER | 1007 |
| | 810258190 | SHEAVE ASSY | 1009 |
| 16 | 80112861 | DECAL KIT MLC300 BOOM INSERT | 1011 |
| | 81041859 | DECAL INSERT LIFTING | NO DWG |
| | 81017794 | DECAL-PERSONNEL TIE DOWN POINT | NO DWG |
| | 810121832 | DECAL WARNING FALL PROTECTION | NO DWG |
| 17 | 81027949 | GUIDE ASSY DRUM 6 LOWER | 1013 |
| | 810258190 | SHEAVE ASSY | 1015 |
| 17 | 80112861 | DECAL KIT MLC300 BOOM INSERT | 1017 |
| | 81041859 | DECAL INSERT LIFTING | NO DWG |
| | 81017794 | DECAL-PERSONNEL TIE DOWN POINT | NO DWG |
| | 810121832 | DECAL WARNING FALL PROTECTION | NO DWG |
| 18 | 81029022 | GUIDE ASSY DRUM 2,3 LOWER | 1019 |
| | 810258190 | SHEAVE ASSY | 1021 |
| 19 | 81029628 | GUIDE ASSY DRUM 2,3 UPPER | 1023 |

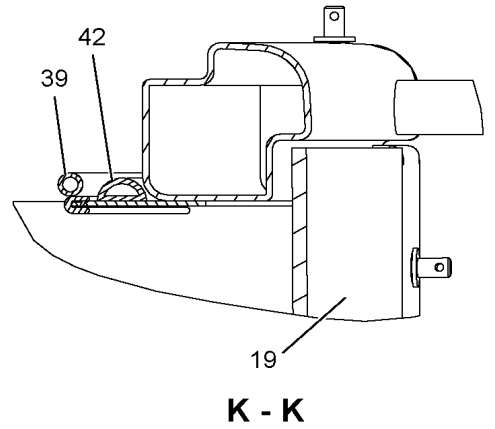
Manitowoc Cranes



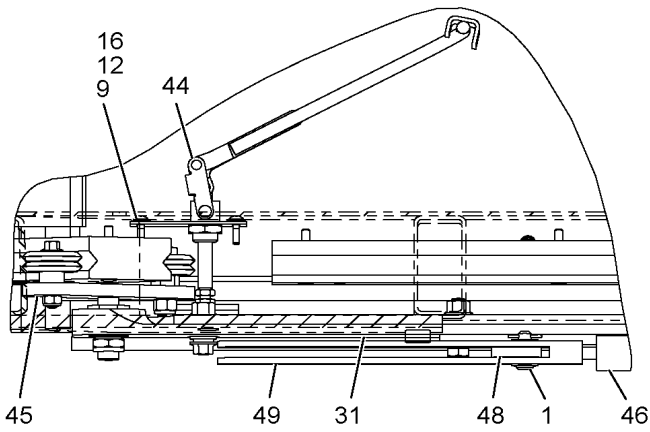
D - D



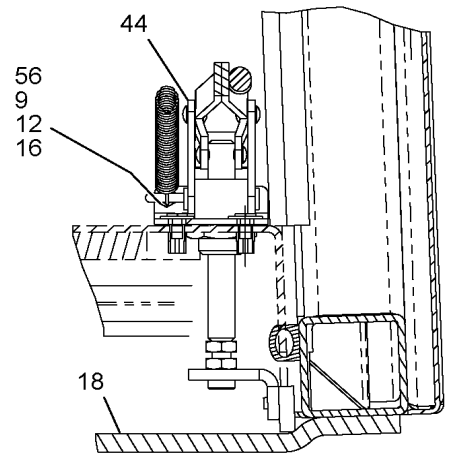
E - E



K - K

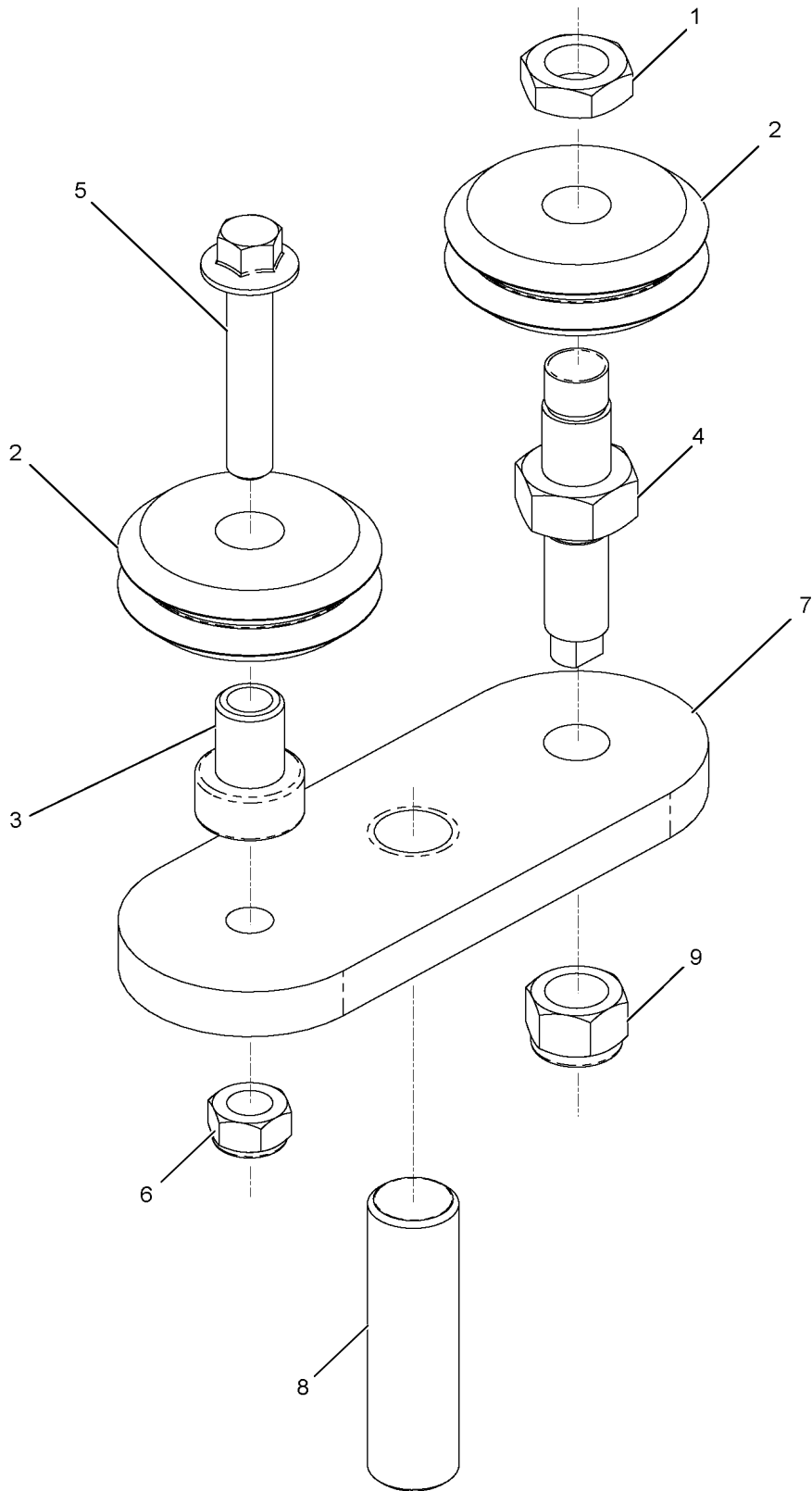


C



L - L

Manitowoc Cranes



Manitowoc Cranes

Description
HVAC ASSY CAB

Assembly No.
80113630
Revision: A

| Item | FN | Part | Qty | Description |
|------|----|------------|-----|------------------------------|
| 1 | | 3453400 | 6 | CLAMP |
| 2 | | 5460750 | 4 | HEX NUT |
| 3 | | 6184170 | 4 | PHIL TMS 8-32UNC X 0.50 GR 1 |
| 4 | | 6206050 | 16 | SCREW, PAN |
| 5 | + | 84039648 | 1 | HVAC KIT CAB INSIDE PARTS |
| 6 | | 7661190003 | 4 | NUT, HEX 10MM |
| 7 | | 7951190220 | 4 | L WASHER 10 |
| 8 | | A026392 | 1 | BRACKET |
| 9 | | A027330 | 4 | INSERT, THREADED |
| 10 | | A030320 | 6 | SCREW TC PAN HEAD PHILLIPS |
| 13 | | 7103000 | 2 | L WASHER MEDIUM |
| 14 | | 7111060610 | 2 | Slot RMS #6-32UNCx0.75 G1 |
| 15 | | 7660061100 | 2 | NUT, #6-32UNC HEX |

+ SEE FURTHER BREAKDOWN THIS GROUP

Manitowoc Cranes

Description
CONSOLE LEFT HAND ASSY

Assembly No.
81019747
Revision: G

| Item | FN | Part | Qty | Description |
|------|----|------------------|-----|---|
| 43 | | 810173130 | 1 | <p>OBSOLETE LIGHT ASSY 810174260. FIELD REPLACEMENT OF 810174260 REQUIRES BOTH 80122592 BRACKET AND 80123310 LIGHT ASSY AND MOUNTING HARDWARE.</p> <p>MOLDING EDGE TRIM PVC</p> |

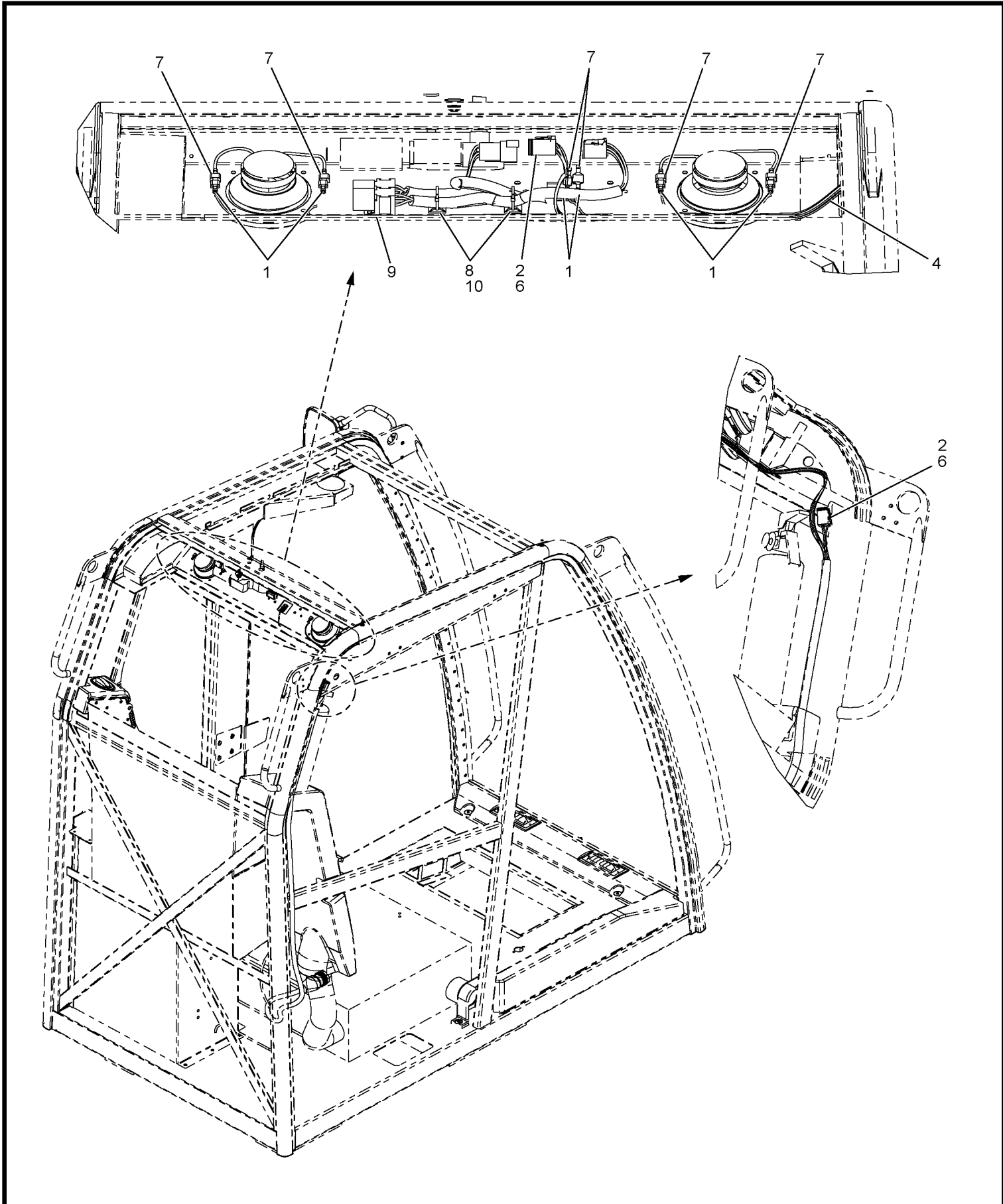
Manitowoc Cranes

Description
DISPLAY CCS COLOR

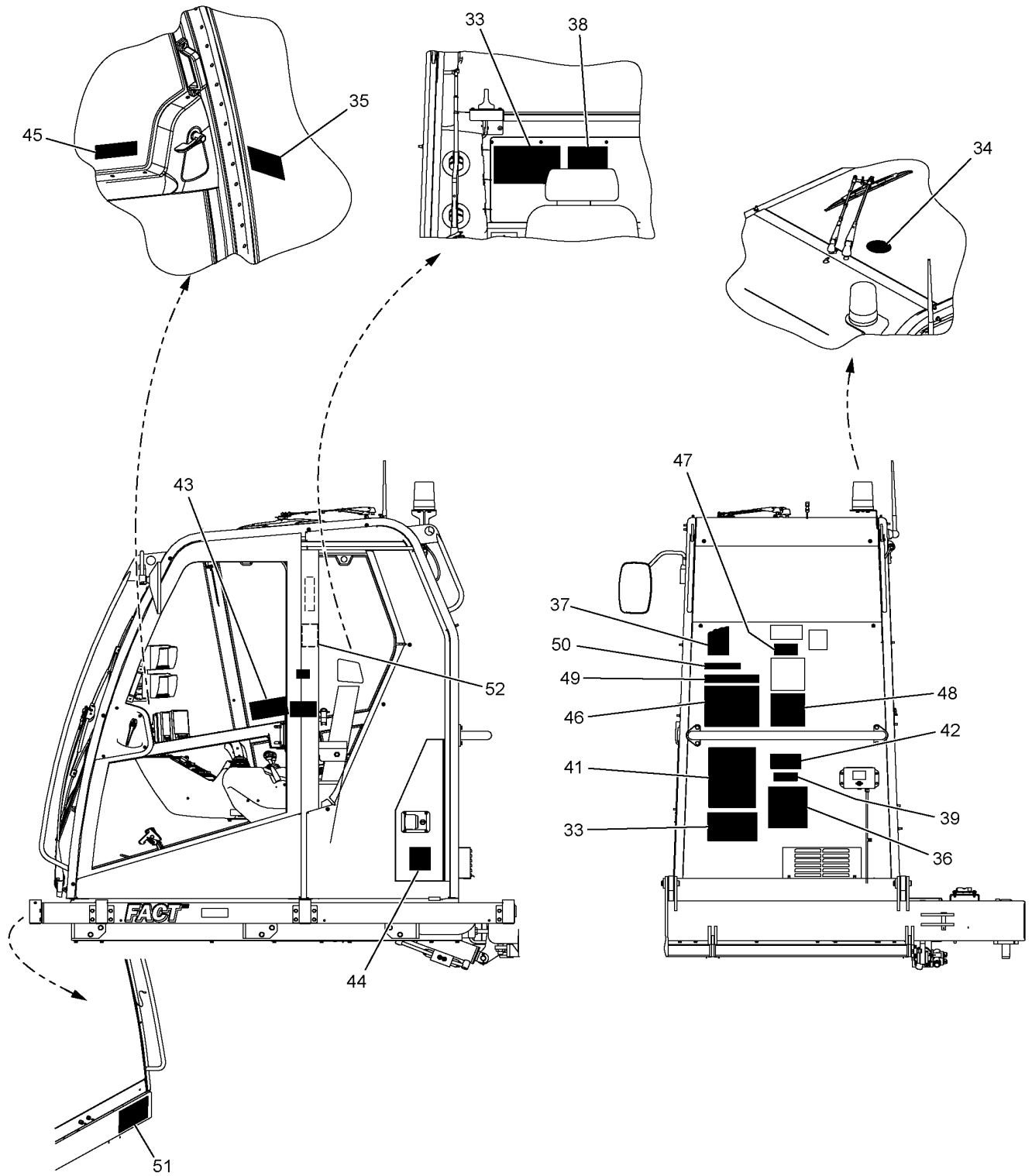
Assembly No.
84054782
Revision: **A**

| Item | FN | Part | Qty | Description |
|------|----|-----------------|-----|---------------------------|
| 1 | | 03140562 | 1 | INDICATOR PLATE ATTENTION |
| 2 | | 80096475 | 1 | CCS COLOR DISPLAY |

Manitowoc Cranes



Manitowoc Cranes



Manitowoc Cranes

Notes

Manitowoc Cranes

Description

ROTATING BED STRUT SUBASSY

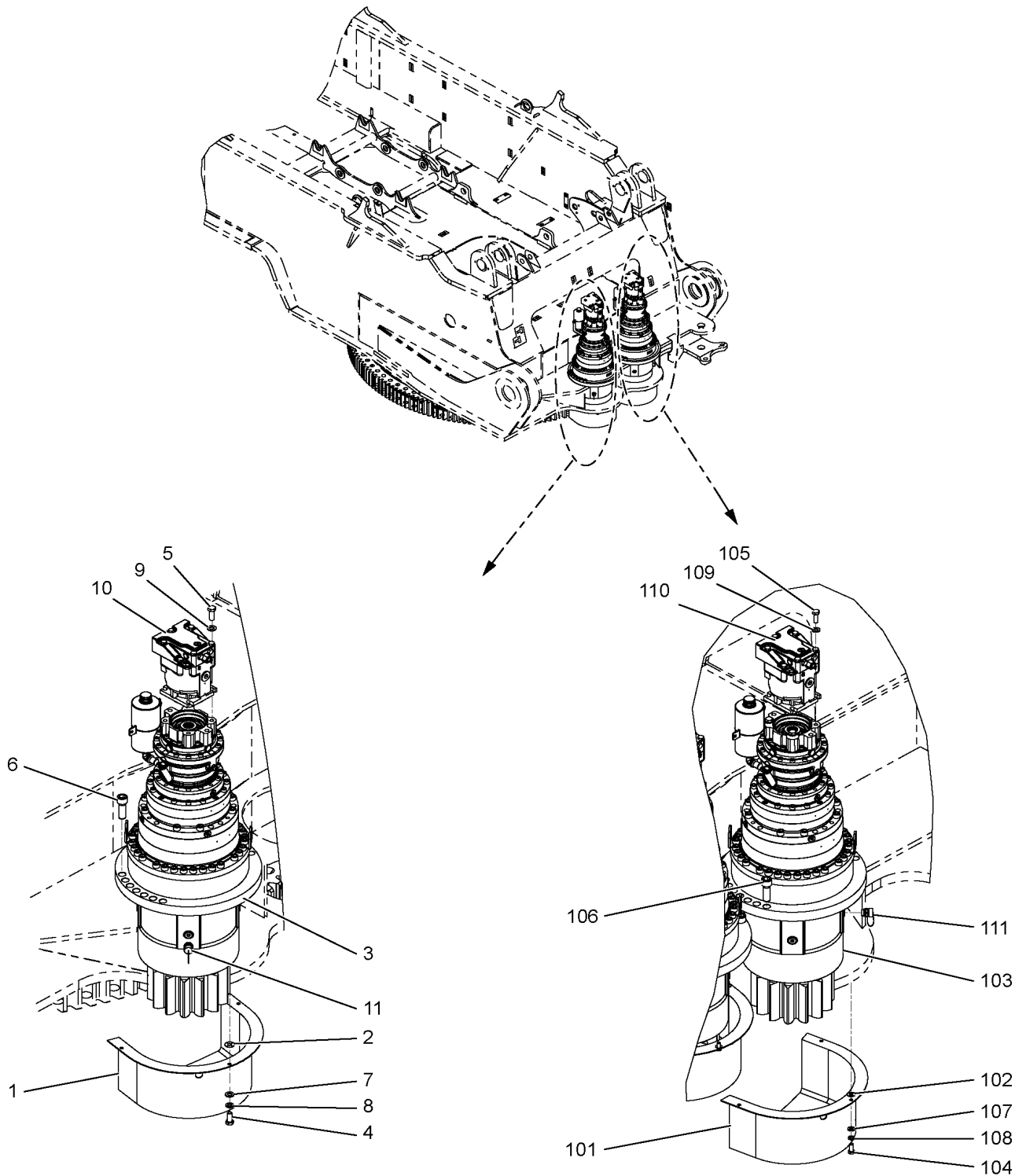
Assembly No.

84028005

Revision: **A**

| Item | FN | Part | Qty | Description |
|------|----|------------------|-----|--------------------------------|
| 1 | | 810286882 | 1 | STRUT ASSY ROT BED UPPER |
| 2 | | 810300032 | 2 | PIN 2 HOLE 50.8 MM X 172 MM LG |
| 3 | | 5621500 | 4 | PIN COTTER |

Manitowoc Cranes



Manitowoc Cranes

Description
ROTATING BED HYDRAZORB INSTALL

Assembly No.
81028816
Revision: M

| Item | FN | Part | Qty | Description |
|------|----|------------|-----|-------------------------------|
| 1 | | 810250150 | 3 | CHANNEL ANCHOR CLAMP |
| 2 | | 810250160 | 4 | CHANNEL ANCHOR CLAMP |
| 3 | | 810250170 | 11 | CHANNEL ANCHOR CLAMP |
| 4 | | 810269870 | 5 | CHANNEL |
| 7 | | 7661210804 | 8 | HEX LOCK NUT |
| 8 | | 7951210014 | 16 | F WASHER 12 -ST ISO 7089 |
| 9 | | 810250210 | 1 | CHANNEL ANCHOR CLAMP |
| 11 | | 810269530 | 2 | CHANNEL |
| 12 | | 84045998 | 1 | BAR 50.8X1320.8 NYL |
| 13 | | 7126211454 | 4 | CAP SCREW, M12X35 SOCKET HEAD |
| 14 | | 81026958 | 1 | CHANL ANCHR CLMP 25.4DP 812.8 |
| 15 | | 81042808 | 2 | WING NUT M12-1.75 DIN315 18-8 |
| 16 | | 810288410 | 8 | SBCS M12-1.75 X 30MM |
| 17 | | 7126171055 | 42 | SFHCS M8X16 A2-70 ISO 10642 |
| 18 | | 84046231 | 42 | WASHER COUNTERSUNK M8X25 |
| 19 | | 84046615 | 1 | BRACKET TUBE GUARD |
| 20 | | 7661190803 | 2 | HEX LOCK NUT M10 -8 ISO 7040 |
| 21 | | 7126171155 | 2 | SCREW, SOCKET FLAT |
| 22 | | 80109179 | 1 | BRACKET CHARGE MANIFOLD |
| 23 | | 81040636 | 2 | SHCS M12 X 1.75 40 10.9 |

Manitowoc Cranes

Description

CAB MOUNTING ASSEMBLY

Assembly No.

810239780

Revision: **N**

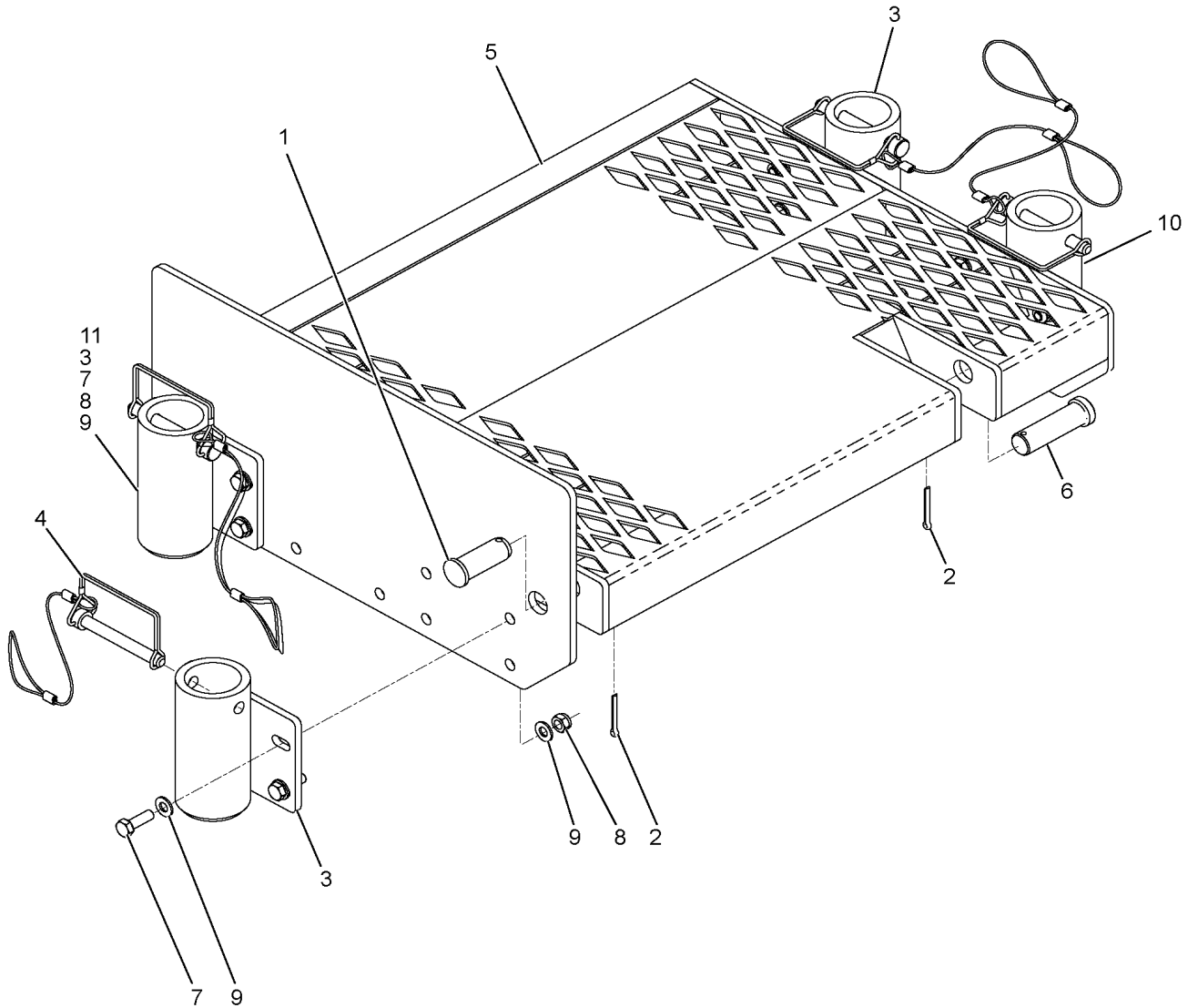
| Item | FN | Part | Qty | Description |
|------|----|------------|-----|--------------------------------|
| 49 | + | 810296433 | 1 | PLATFORM ASSY 2327 X 540 CAB S |
| 50 | | 7951210014 | 9 | F WASHER 12 -ST ISO 7089 |
| 51 | | 810286332 | 1 | PLATFORM |
| 52 | | 5636370 | 2 | PIN QUICK RELEASE |
| 53 | | 81039111 | 1 | HANDRAIL CAB SIDE |
| 54 | | 810293342 | 1 | HANDRAIL |
| 55 | | 810302782 | 1 | HANDRAIL |
| 56 | | 7126171153 | 8 | HHCS M8X20 8.8 ISO 4017 |
| 57 | | 81038511 | 1 | PLATFORM CAB RIGHT SIDE |
| 58 | | 7126171250 | 4 | CAP SCREW, M8X25 HEX HEAD |
| 59 | | 7661170803 | 4 | NUT NYLOC M8 |
| 60 | | 4720140 | 3 | GROMMET |
| 61 | | 80111860 | 1 | LEVEL CIRCULAR BUBBLE |
| 63 | | 80111861 | 1 | BRACKET BUBBLE LEVEL |
| 65 | | 7126151353 | 3 | CAP SCREW, M6X30 HEX HEAD |
| 66 | | 7661150003 | 3 | NUT, HEX |
| 67 | | 7126272253 | 2 | HHCS FULL THREAD |
| 68 | | 7111060610 | 3 | Slot RMS #6-32UNCx0.75 G1 |
| 69 | | 7103000 | 3 | L WASHER MEDIUM |
| 70 | | 7660061100 | 3 | NUT, #6-32UNC HEX |

+ SEE FURTHER BREAKDOWN THIS GROUP

Manitowoc Cranes

Notes

Manitowoc Cranes



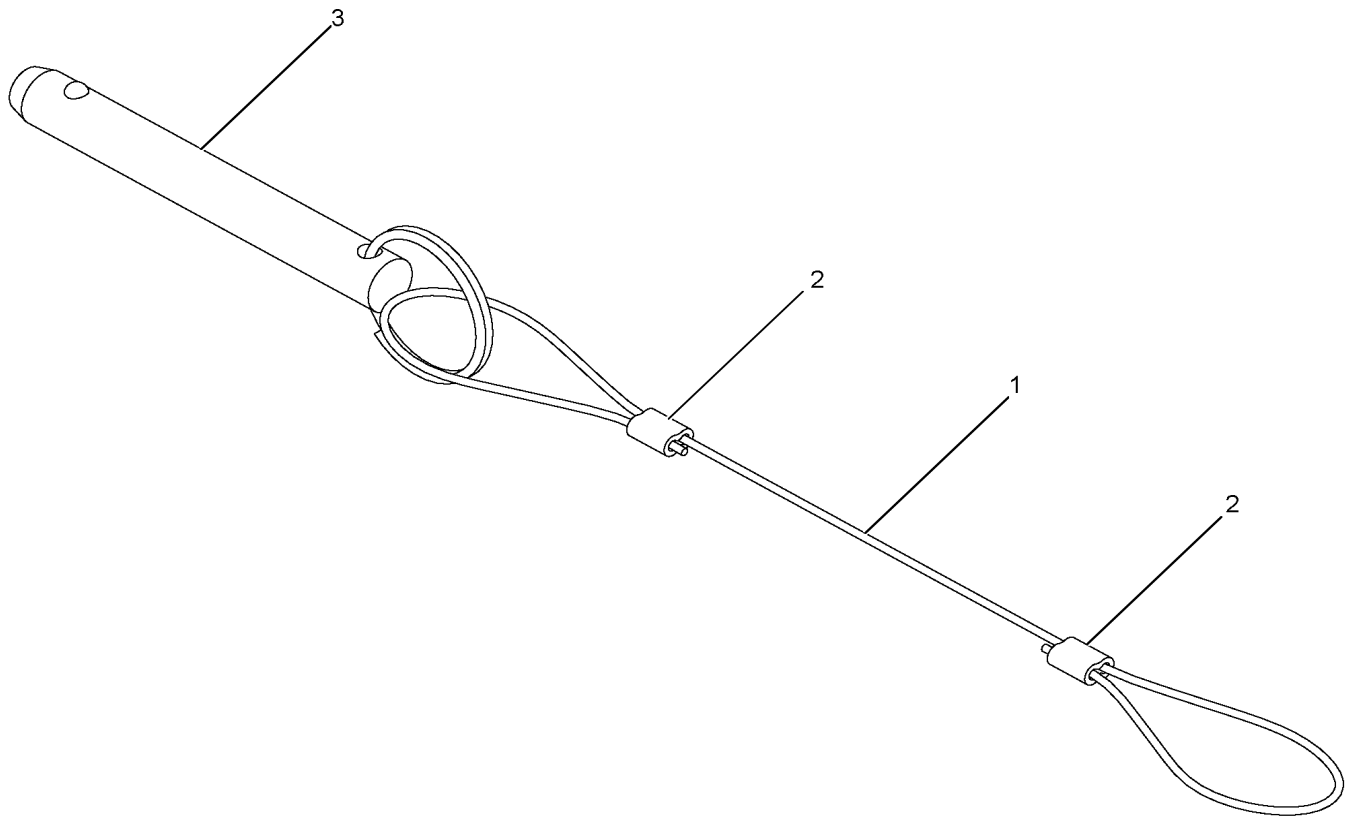
Manitowoc Cranes

Description
LANYARD ASSY PIN

Assembly No.
81041140
Revision: **A**

| Item | FN | Part | Qty | Description |
|------|----|------------------|-----|-------------------|
| 1 | | 810070010 | 1 | WIRE |
| 2 | | 810070020 | 2 | SLEEVE |
| 3 | | 5636940 | 1 | PIN QUICK RELEASE |

Manitowoc Cranes



Manitowoc Cranes

Description

FLOOR PLATE ASSY CAB

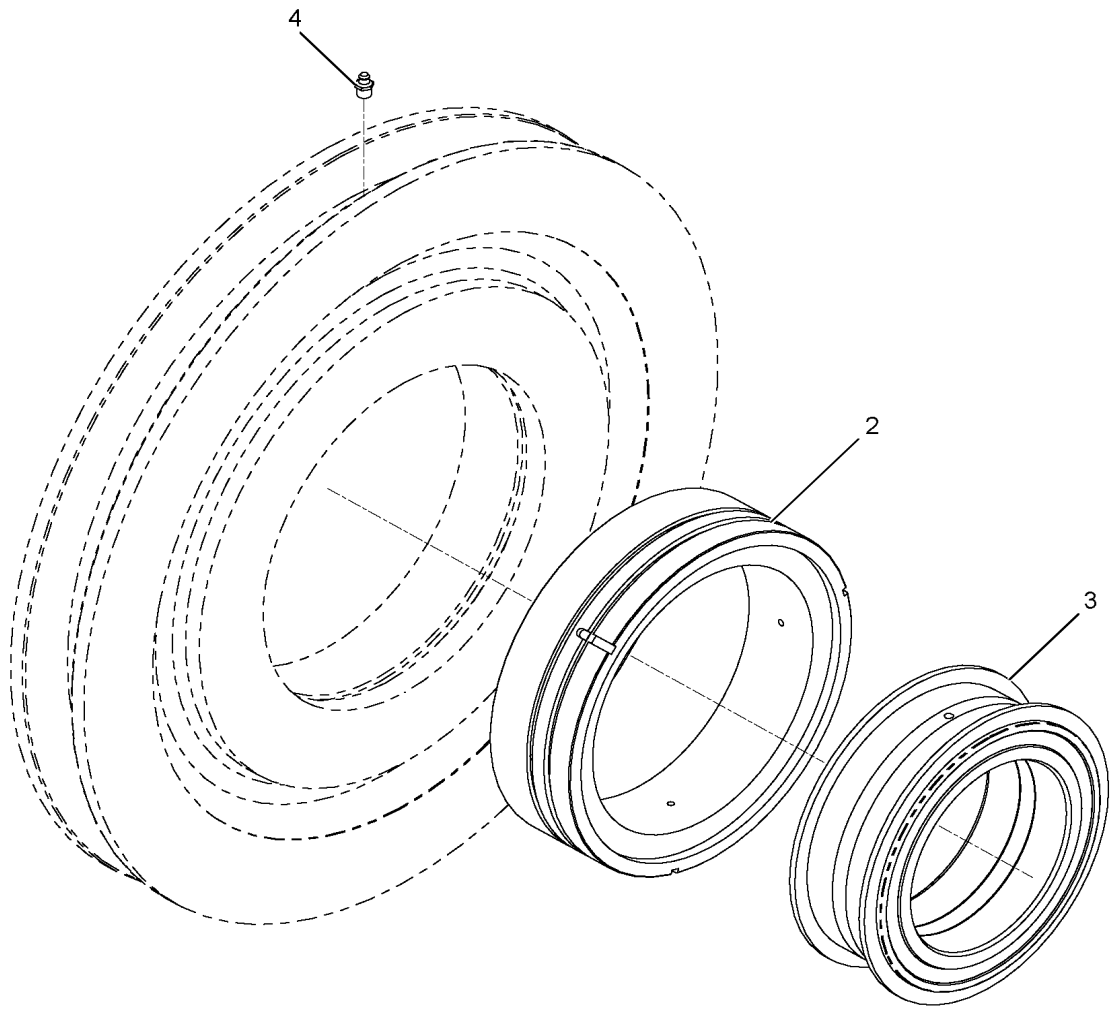
Assembly No.

81023038

Revision: **C**

| Item | FN | Part | Qty | Description |
|------|----|------------------|-----|---------------------|
| 1 | | 1765672 | 1 | PLATE FLOOR |
| 2 | | 810261500 | 6 | PHIL TMS |
| 3 | | 810339760 | 1 | WIRING HARNESS WCE1 |

Manitowoc Cranes



Manitowoc Cranes

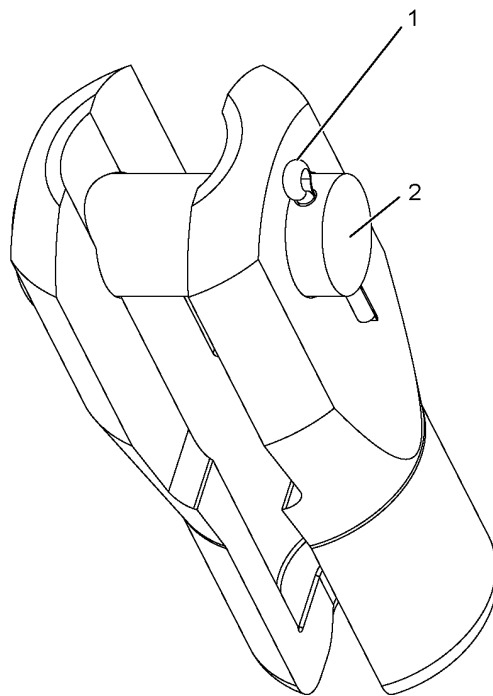
Description
PARTS BOX ASSY

Assembly No.
810287691
Revision: R

| Item | FN | Part | Qty | Description |
|------|----|-------------------|-----|------------------------------|
| 1 | | 81041594 | 1 | PARTS BOX 1.21X .76 X .85M |
| 2 | + | 81038439 | 1 | KIT SELF ASSY RIGGING |
| 6 | + | 810249430 | 1 | VALVE ASSY QUICK DRAIN |
| 11 | | 5638170 | 2 | PIN, HAIR COTTER |
| 12 | | 810100010 | 2 | PIN HITCH |
| 13 | | 81042348 | 1 | BRACKET ENERGY CHAIN SUPPORT |
| 14 | | 81042349 | 1 | BRACKET ENERGY CHAIN SUPPORT |
| 15 | | 81042377 | 2 | PIN 1 HOLE W/HD 20.0 X 236.0 |
| 16 | + | 810039130 | 1 | Q DISCON FITTING |
| 17 | | 810039160 | 1 | CAP DUST |
| 18 | | 9999101803 | 1 | SPRAY CORROSION PREVENTATIVE |
| 20 | + | 81041177 | 1 | PUMP CRAWLER TENSIONING |
| 21 | | 84044204 | 2 | WRENCH STRAP |
| 201 | + | 81042356 | 1 | LINK ASSY DEAD END |
| 210 | + | 81042356 | 1 | LINK ASSY DEAD END |

+ SEE FURTHER BREAKDOWN THIS GROUP

Manitowoc Cranes



Manitowoc Cranes

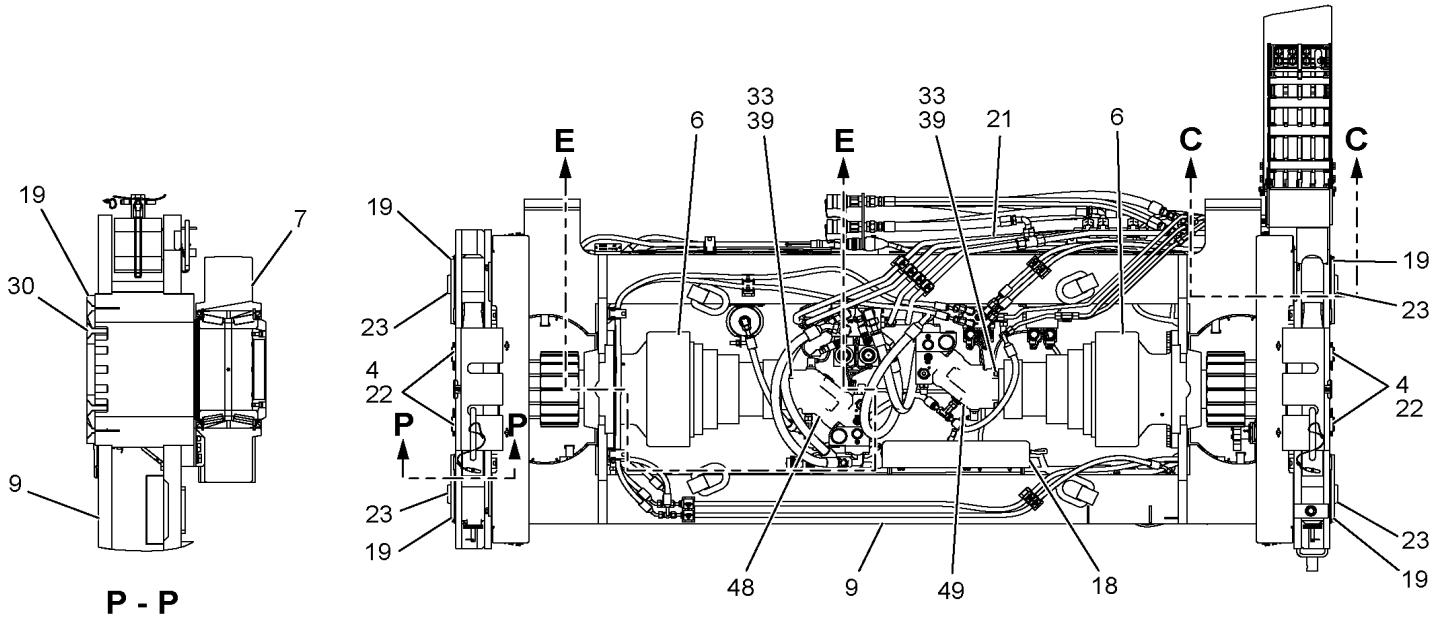
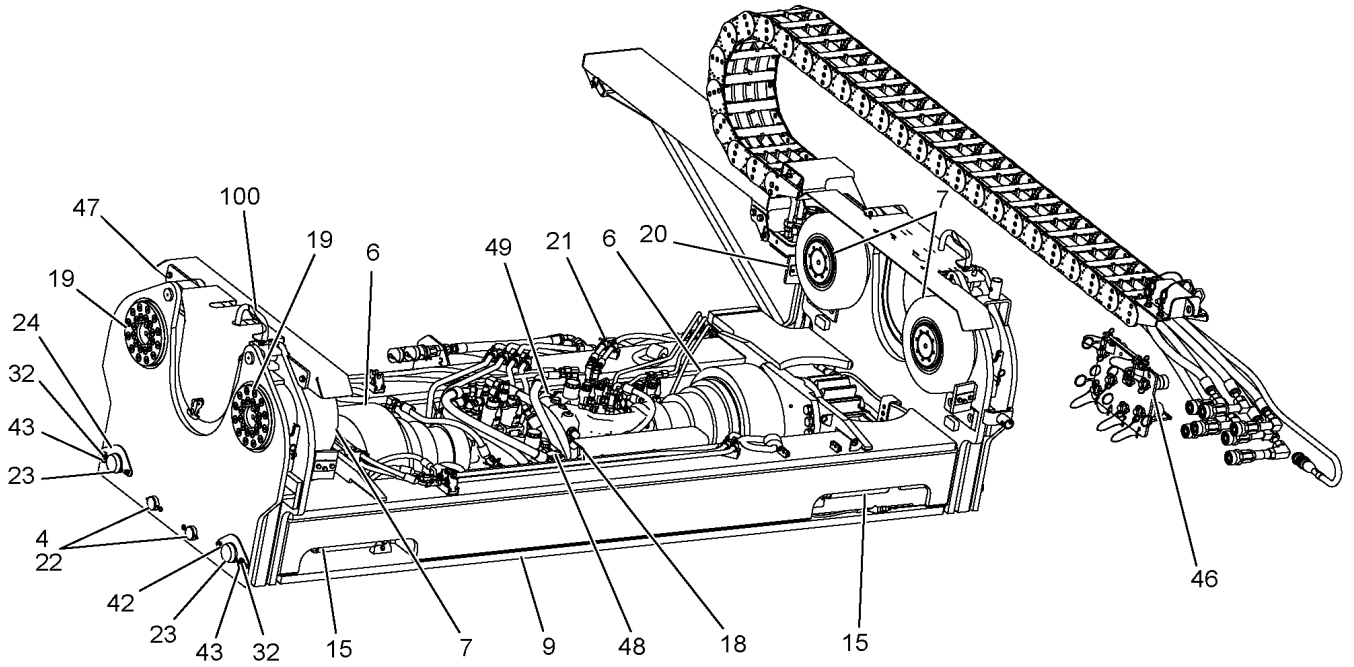
Description
WEAR PAD ASSY VPC

Assembly No.
84028440
Revision: D

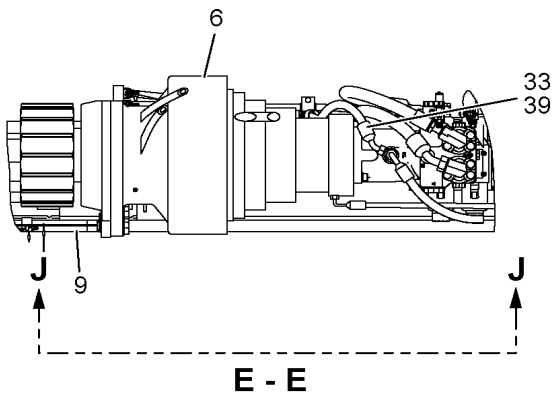
| Item | FN | Part | Qty | Description |
|------|----|------------|-----|-------------------------------|
| 1 | | 84028412 | 2 | WEAR PAD 19.1 MM |
| 2 | | 84028411 | 2 | WEAR PAD 19.1 MM |
| 4 | | 810259962 | 10 | RETAINER |
| 5 | | 810259970 | 20 | SFHCS |
| 7 | | 810347632 | 2 | PLATE KEEPER HARD STOP |
| 8 | | 810347642 | 2 | GUIDE VPC TROLLEY INSTL |
| 10 | | 5638230 | 2 | PIN SAFETY |
| 11 | | 810268400 | 2 | RUBBER BUMPER |
| 12 | | 7126241453 | 2 | HHCS M16x35 -8.8 ISO 4017 |
| 13 | | 7951240014 | 2 | FLATWASHER 16MM I.D. |
| 16 | | 1933342 | 2 | PIN 2 HOLE |
| 17 | | 5638170 | 4 | PIN, HAIR COTTER |
| 18 | + | 81034766 | 2 | BRACKET ASSY VPC-MAX WEAR PAD |
| 19 | | 810356332 | 2 | PIN 1 HOLE W/HD |
| 20 | | 7128171654 | 10 | SHCS M8x45 -12.9 ISO 4762 |
| 21 | | 81040142 | 2 | ACTUATOR |
| 22 | | 81040143 | 1 | ACTUATOR |

+ SEE FURTHER BREAKDOWN THIS GROUP

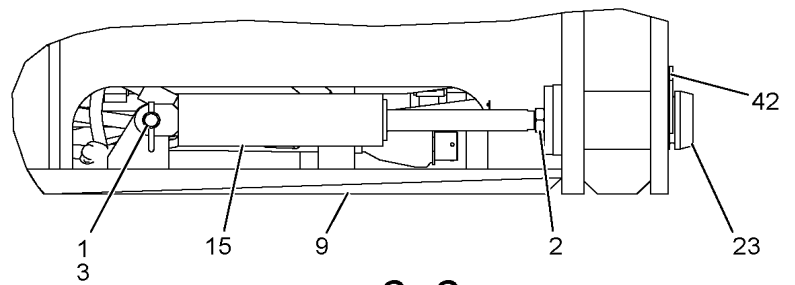
Manitowoc Cranes



P - P



E - E



C - C

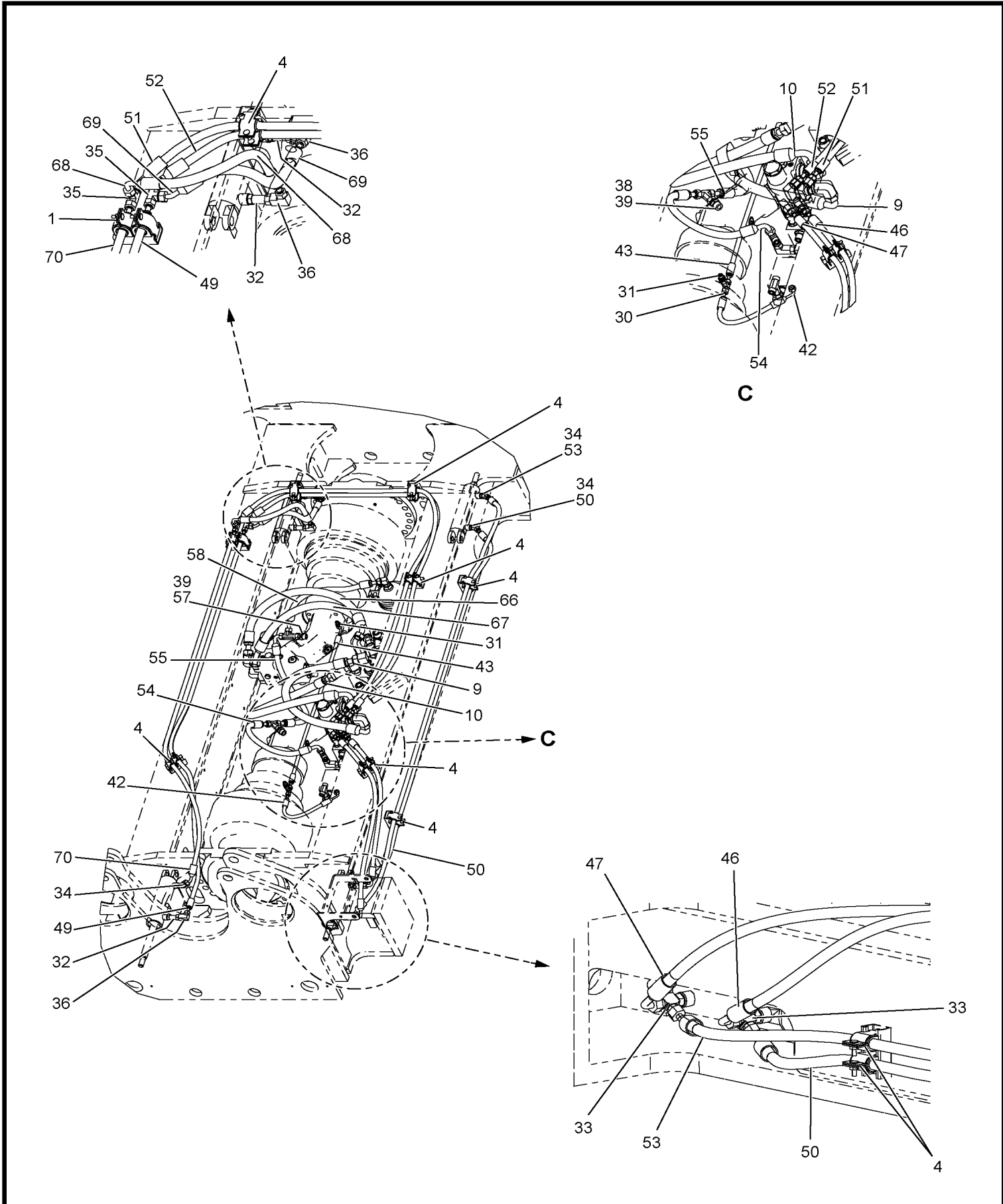
Manitowoc Cranes

Description
SWITCH LIMIT ASSY

Assembly No.
810238652
Revision: **C**

| Item | FN | Part | Qty | Description |
|------|----|------------------|-----|-------------------------------|
| 1 | | 3643870 | 1 | CONNECTOR MALE 3-POLE DEUTSCH |
| 2 | | 4716820 | 1 | CONNECTOR, GRIP CORD 7/16" BO |
| 3 | | 5726060 | 1 | PLUG WEDGE LOCK DEUTSCH W3P |
| 4 | | 6806940 | 3 | TERMINAL, PIN |
| 5 | | 810161270 | 1 | SWITCH, LIMIT |
| 6 | | 810070200 | 1 | TUBING |
| 20 | | 2971820 | 2 | CABLE, SHIELDED |
| 21 | | 2972110 | 1 | CABLE, WIRE |

Manitowoc Cranes



81024056

(SHEET 1 OF 2)

Page 308

Manitowoc Cranes

Description

VALVE DIRECTIONAL CONTROL

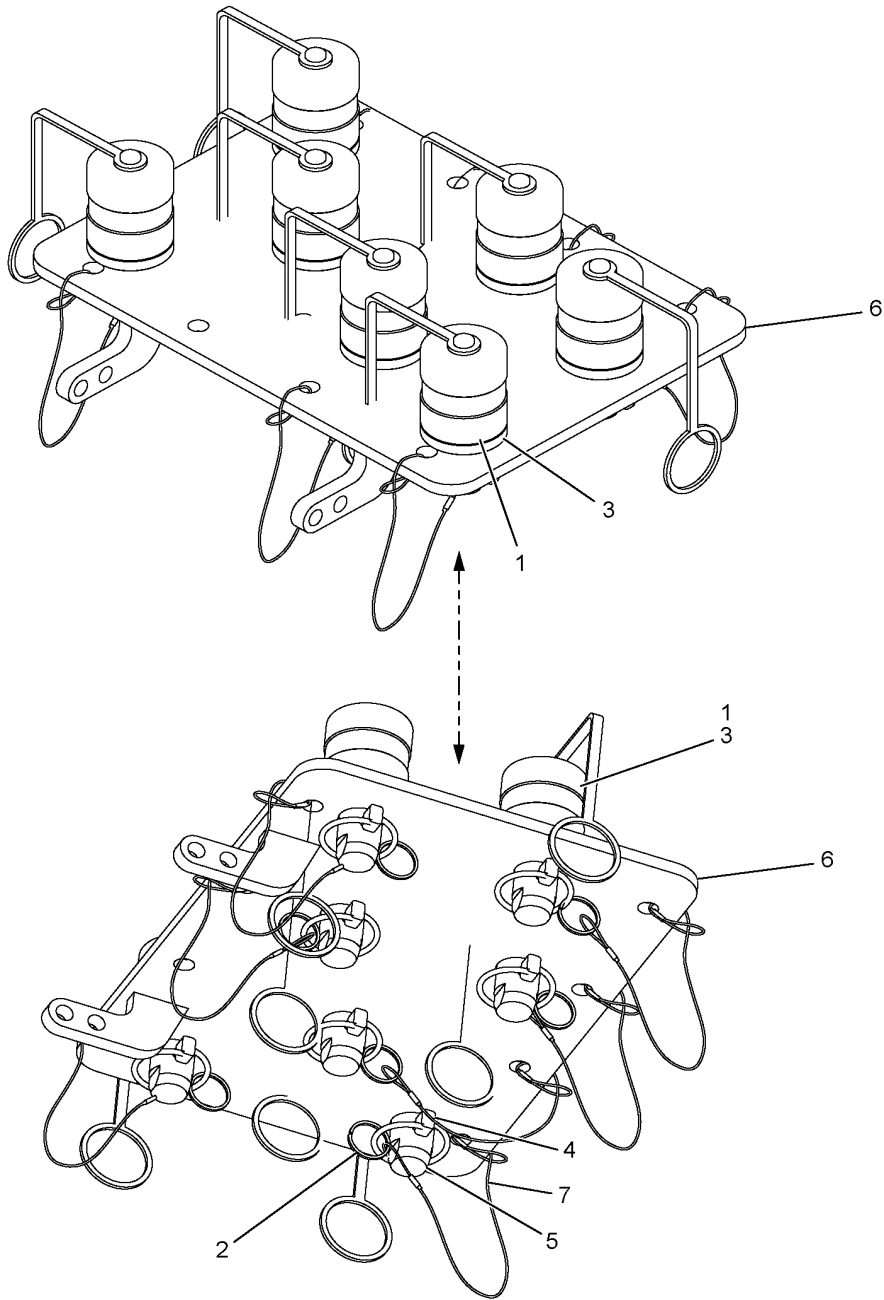
Assembly No.

810239070

Revision: A

| Item | FN | Part | Qty | Description |
|------|----|----------|-----|-------------|
| 1 | | 90038353 | 1 | COIL |
| 2 | | 90038354 | 1 | SEAL KIT |

Manitowoc Cranes



Manitowoc Cranes

Description

HYD LINES INSTL VPC-MAX PREP

Assembly No.

81037248

Revision: **H**

| Item | FN | Part | Qty | Description |
|------|----|------------|-----|--------------------------------|
| 1 | | 5621090 | 4 | PIN COTTER |
| 2 | | 81037152 | 4 | PIN 1 HOLE W/HD 38.0 DIA X 127 |
| 3 | | 84036370 | 2 | LATCH VPC-MAX |
| 5 | | 7447100851 | 2 | EXPANDER |
| 6 | | 7951190010 | 4 | F WASHER 10 -HRC44-51 ISO 7089 |
| 7 | | 7126191250 | 4 | HHCS M10X25 8.8 FLZN ISO 4014 |
| 8 | | 7126171853 | 1 | HHCS M8x55 -8.8 ISO 4017 |
| 9 | | 81042178 | 1 | HOSE ASSY VPC-MAX PREP HP |
| 11 | | 81042106 | 1 | BRACKET VPC MAX QD |
| 12 | | 81041928 | 1 | HOSE ASSY VPC-MAX PREP HP |
| 13 | | 81041927 | 1 | HOSE ASSY VPC-MAX PREP HP |
| 14 | | 81041926 | 1 | HOSE ASSY VPC-MAX PREP HP |
| 16 | | 810293140 | 6 | FITTING ADAPTER STRAIGHT |
| 17 | | 810276040 | 1 | COVER PLATE |
| 18 | | 810272080 | 1 | CLAMP |
| 19 | | 810039150 | 6 | CAP DUST |
| 20 | + | 810039140 | 6 | Q DISCON FITTING |
| 21 | | 84036420 | 2 | PLATE 3.2 X 96.3 X 365.0 |
| 22 | | 7126171053 | 4 | HHCS M8X16 SS ISO 4017 |
| 23 | | 7951170014 | 4 | F WASHER |
| 24 | | 84019084 | 1 | HOSE ASSY VPC-MAX PREP LP |
| 25 | | 84019084 | 1 | HOSE ASSY VPC-MAX PREP LP |
| 26 | + | 80106581 | 2 | PIN LANYARD ASSY |

+ SEE FURTHER BREAKDOWN THIS GROUP

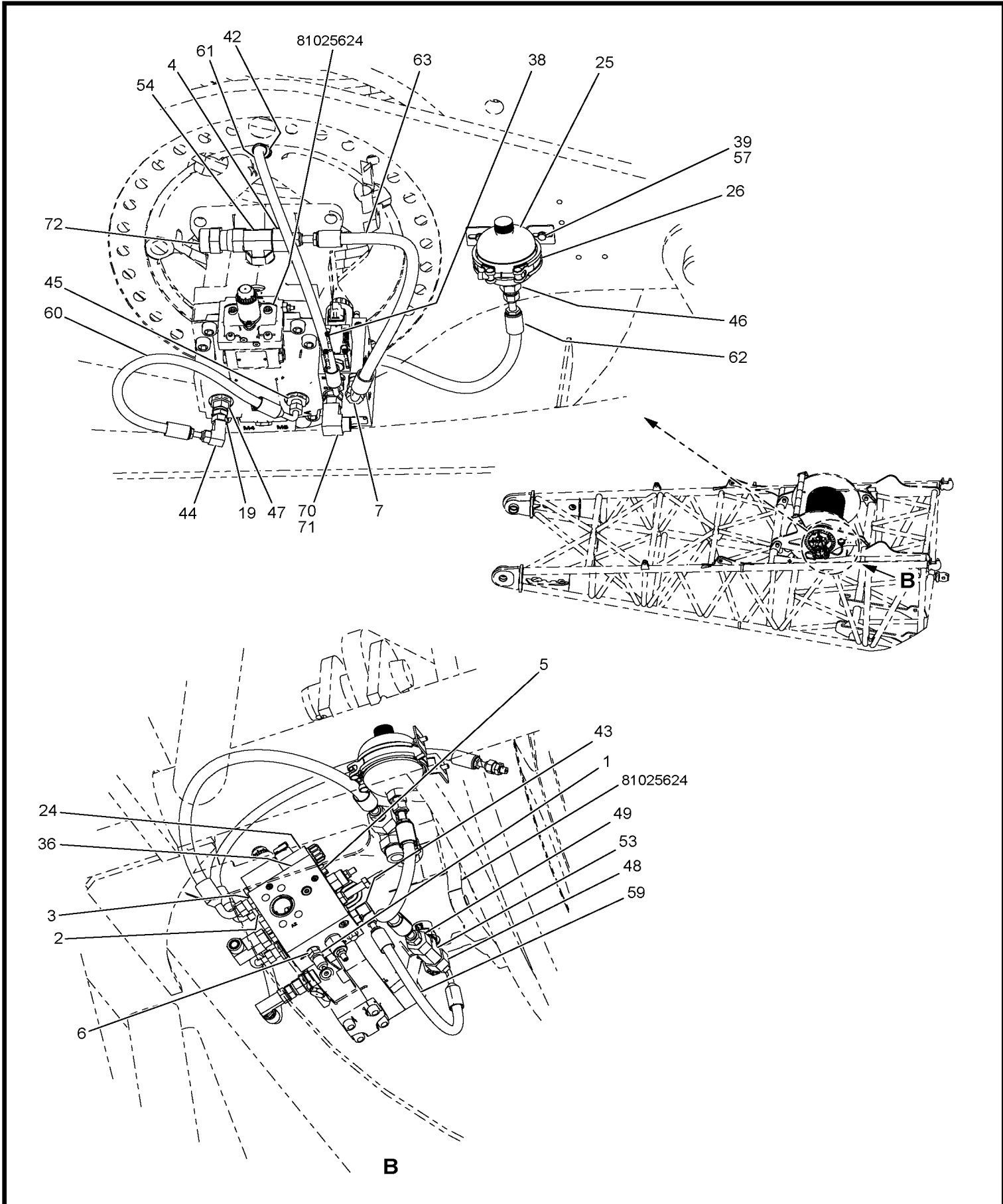
Manitowoc Cranes

Notes

Manitowoc Cranes

Notes

Manitowoc Cranes



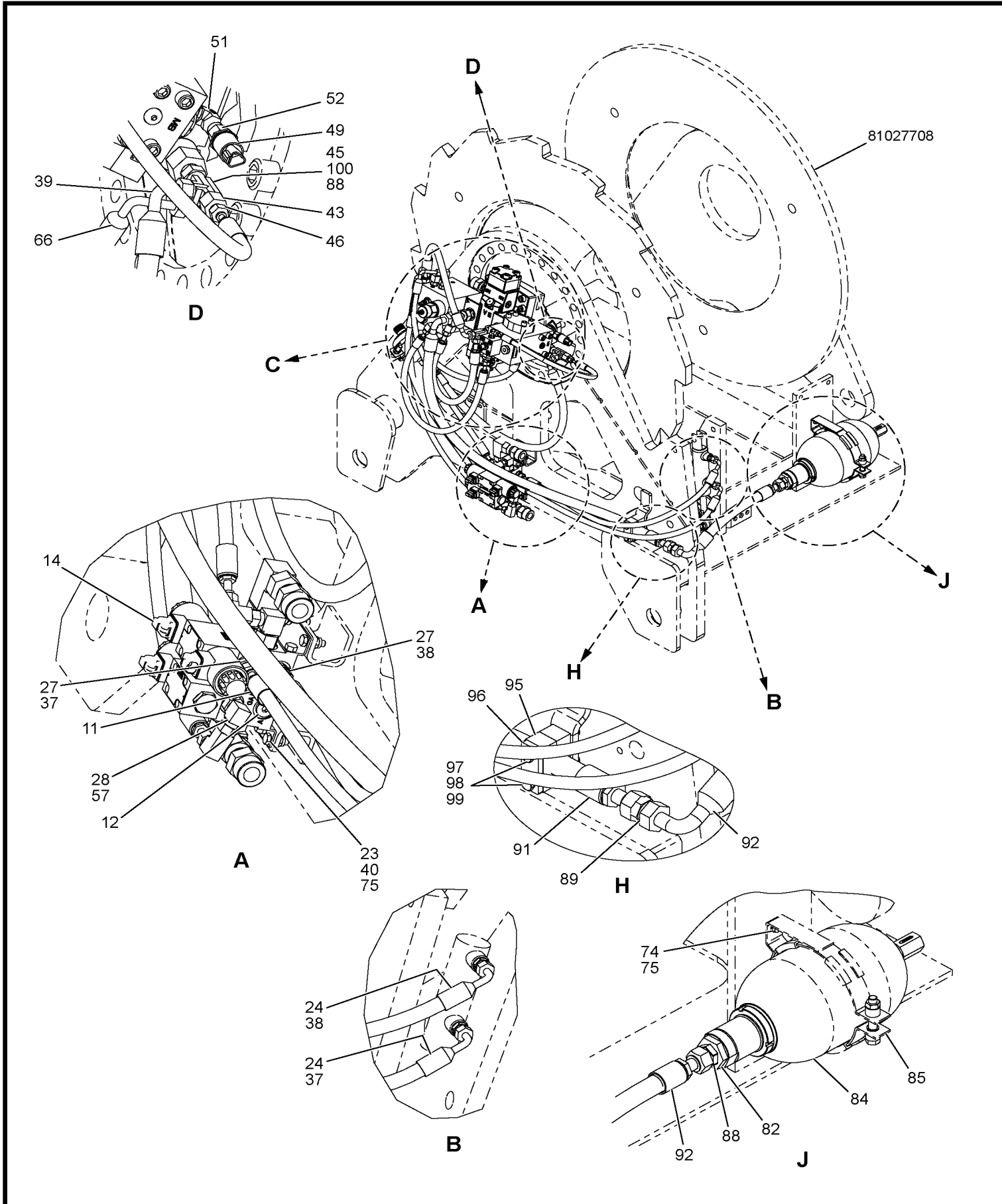
Manitowoc Cranes

Description
LIMIT SWITCH

Assembly No.
810245252
Revision: **A**

| Item | FN | Part | Qty | Description |
|------|----|------------------|-----|-------------------------------|
| 1 | | 3643870 | 1 | CONNECTOR MALE 3-POLE DEUTSCH |
| 2 | | 4717170 | 1 | GRIP, CORD |
| 3 | | 5726060 | 1 | PLUG WEDGE LOCK DEUTSCH W3P |
| 4 | | 6806940 | 3 | TERMINAL, PIN |
| 5 | | 810161270 | 1 | SWITCH, LIMIT |
| 20 | | 2971820 | 1 | CABLE, SHIELDED |
| 21 | | 2972110 | 1 | CABLE, WIRE |

Manitowoc Cranes



810345341

(SHEET 1 OF 3)

Page 412

Manitowoc Cranes

Description
Q DISCON FITTING

Assembly No.
810039140
Revision:

| Item | FN | Part | Qty | Description |
|------|----|------------------|-----|----------------|
| 1 | | 810120120 | 1 | KIT, SEAL |
| 2 | | 90021777 | 1 | KIT, CARTRIDGE |

Manitowoc Cranes

Description

HYD LINES INSTL DRUM 6 PREP

Assembly No.

81027455

Revision: **K**

| Item | FN | Part | Qty | Description |
|------|----|------------|-----|--------------------------------|
| 72 | | 810270630 | 1 | PLATE |
| 73 | | 810270640 | 2 | PLATE |
| 74 | | 7126192253 | 2 | HHCS FULL THREAD |
| 75 | | 7126192553 | 4 | HHCS M10X90 -8.8 ISO 4017 |
| 76 | | 7661190803 | 6 | HEX LOCK NUT M10 -8 ISO 7040 |
| 77 | | 7951190014 | 6 | F WASHER 10 |
| 78 | | 5966920 | 2 | O-RING |
| 79 | | 810160850 | 1 | FLANGE SPLIT CODE 62 |
| 80 | | 810234540 | 1 | FLANGE SPLIT CODE 62 |
| 81 | | 7128211654 | 4 | SHCS M12x45 -12.9 ISO 4762 |
| 82 | | 7128221654 | 4 | SCR SKT HD M14-2 X 45 12.9 PLN |

Manitowoc Cranes

Description

PAWL

Assembly No.

810267791

Revision: **G**

| Item | FN | Part | Qty | Description |
|------|----|-------------------|-----|---------------------------------------|
| 1 | | 0701262 | 1 | SPRING |
| 2 | | 0757472 | 1 | BOLT, EYE |
| 3 | | 1436622 | 1 | PIN 1 HOLE W/HD |
| 4 | | 1700812 | 6 | WASHER |
| 5 | | 1704782 | 6 | F WASHER SHIM |
| 6 | | 1765312 | 1 | PLATE, KEEPER |
| 7 | | 1932992 | 1 | PIN KEEPER |
| 8 | | 1956662 | 1 | PIN 2 HOLE |
| 9 | | 84034322 | 1 | CYL HYD PAWL |
| 10 | | 5460530 | 2 | NUT, HEX |
| 11 | | 5620440 | 1 | PIN, COTTER |
| 12 | | 5620850 | 2 | PIN COTTER |
| 13 | | 810267824 | 1 | PAWL INCLUDES ITEMS 20 AND 21 |
| 14 | | 810285874 | 1 | LEVER INCLUDES ITEMS 22, 23 AND 24 |
| 15 | | 810286462 | 1 | PIN |
| 16 | | 7126191253 | 4 | HHCS |
| 17 | | 7951190210 | 4 | LOCK WASHER, 10MM |
| 18 | | 1765302 | 1 | PLATE, KEEPER |
| 19 | | A063430 | 4 | SHIM |
| 20 | | 2900240 | 2 | BUSHING |
| 21 | | 810267832 | 1 | PAWL WELDMENT |
| 22 | | 2898290 | 1 | BUSHING |
| 23 | | 2900130 | 2 | BUSHING 1.004 X 1.189 X 1.25 |
| 24 | | 810285882 | 1 | LEVER WELDMENT |

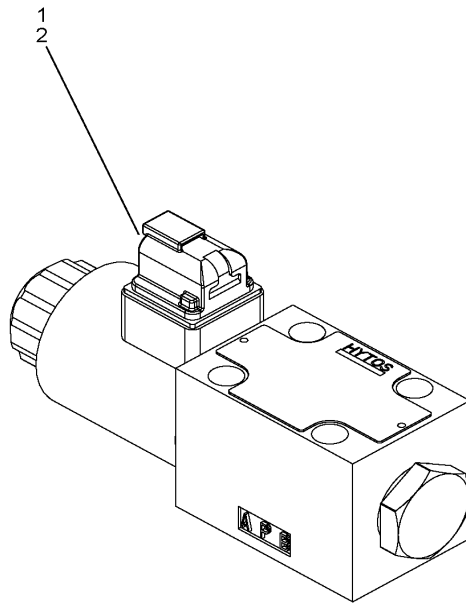
Manitowoc Cranes

| <u>Description</u> HYD EQUIP DRUM 4 | | | | Assembly No. 810426831 Revision: L |
|--|----|------------|-----|--|
| Item | FN | Part | Qty | Description |
| | | | | INCLUDES THE FOLLOWING PARTS |
| | | 7755014002 | 1 | O-RING |
| | | 7755908002 | 1 | O-RING |
| 98 | | 7447121234 | 2 | TEE, RUN |
| | | | | INCLUDES THE FOLLOWING PARTS |
| | | 7755018002 | 1 | O-RING |
| 99 | | 7447120813 | 2 | REDUCER |
| 100 | | 7447080838 | 1 | ELBOW, 90 DEGREE LONG |
| | | | | INCLUDES THE FOLLOWING PARTS |
| | | 7755014002 | 1 | O-RING |
| 101 | | 7447120801 | 1 | ADAPTER, STRAIGHT |
| | | | | INCLUDES THE FOLLOWING PARTS |
| | | 7755018002 | 1 | O-RING |
| | | 7755908002 | 1 | O-RING |
| 102 | | 7555302001 | 1 | HOSE ASSY, 1/2" I.D. X 20" LONG |
| 103 | | 7555502802 | 1 | HOSE ASSY, 3/4" I.D. X 28" LONG |
| 104 | | 7555303801 | 1 | HOSE ASSY, 1/2" I.D. X 38" HYD |
| 105 | | 84034639 | 1 | MANIFOLD BLOCK PAWL |
| 106 | | 84034640 | 1 | BRACKET PAWL |
| 107 | | 84035089 | 1 | TUBE ASSY TUBE |
| 108 | | 84035090 | 1 | TUBE ASSY TUBE |
| 109 | | 7126171253 | 4 | HHCS M8X25 8.8 ISO 4017 |
| 110 | | 7447060601 | 6 | ADAPTER, STRAIGHT MALE |
| | | | | INCLUDES THE FOLLOWING PARTS |
| | | 7755012002 | 1 | O-RING |
| | | 7755906002 | 1 | O-RING |
| 111 | | 7951170014 | 4 | F WASHER |
| 112 | | 7555201501 | 1 | HOSE ASSY .375 ID X 15 LG |
| 113 | | 7555201203 | 1 | HOSE ASSY, 3/8" I.D. X 12" LONG |
| 114 | | 7555201502 | 1 | HOSE ASSY .375 ID X 15 LG |
| 115 | | 7555201502 | 1 | HOSE ASSY .375 ID X 15 LG |
| 116 | | 4295320 | 1 | FITTING, PLUG |

Manitowoc Cranes

Notes

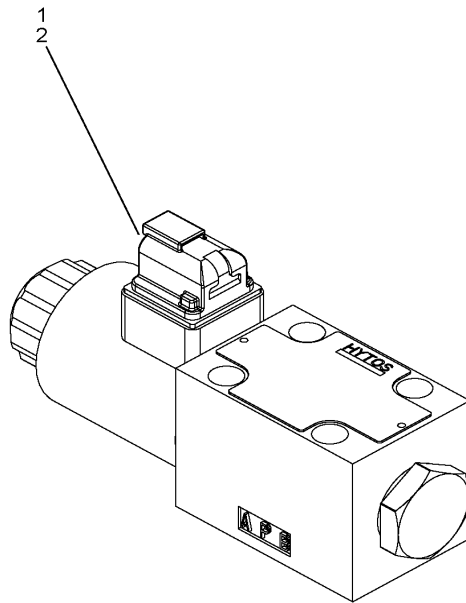
Manitowoc Cranes



Manitowoc Cranes

Notes

Manitowoc Cranes



Manitowoc Cranes

Description
VALVE RELIEF ASSY

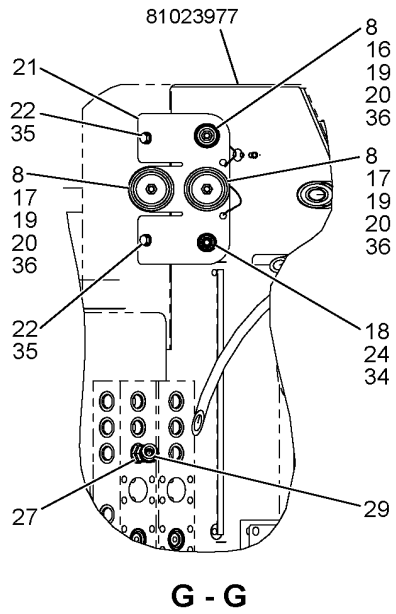
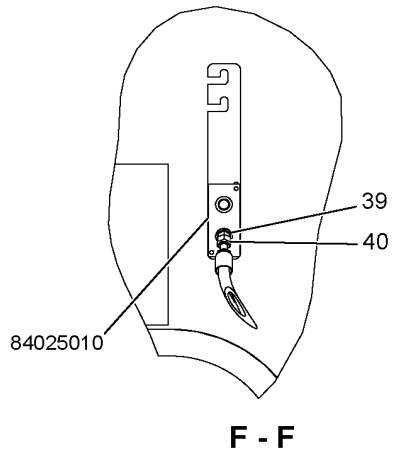
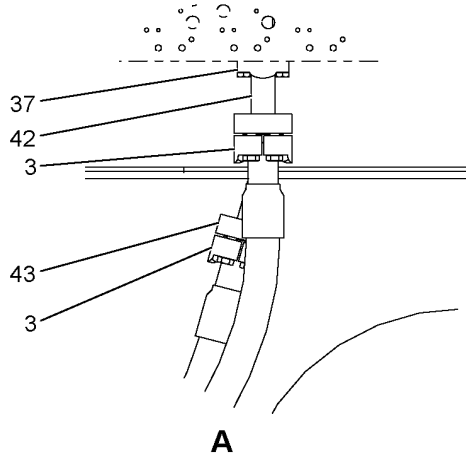
Assembly No.
81042925
Revision: A

| Item | FN | Part | Qty | Description |
|------|----|----------|-----|----------------|
| 1 | | 81042926 | 1 | VALVE BODY -16 |
| 2 | | 81042927 | 1 | VALVE RELIEF |

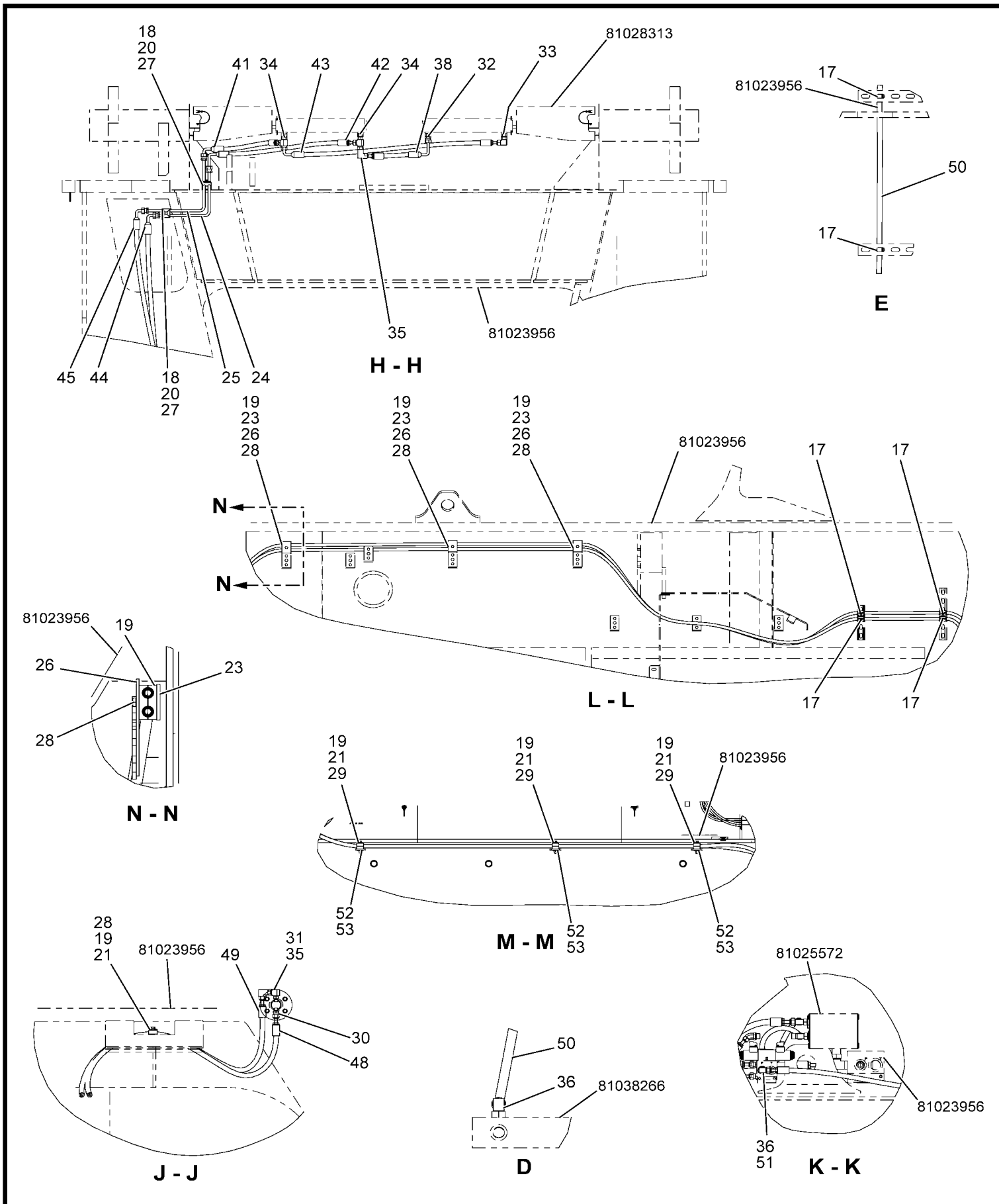
Manitowoc Cranes

| Description HYD LINES INSTL TANK RETURN | | | | Assembly No. 81038266 Revision: AE |
|---|----|------------|-----|--|
| Item | FN | Part | Qty | Description |
| 55 | | 81039289 | 1 | MANIFOLD |
| 56 | | 81039399 | 1 | BRACKET |
| 57 | | 81039409 | 2 | TUBE PREFORMED |
| 58 | | 81040047 | 19 | FITTING PLUG |
| 59 | | 7126192153 | 4 | HHCS M10x70 -8.8 ISO 4017 |
| 63 | | 7447080801 | 3 | ADAPTER, STRAIGHT INCLUDES THE FOLLOWING PARTS |
| | | 7755014002 | 1 | O-RING |
| | | 7755908002 | 1 | O-RING |
| 67 | | 7447120801 | 1 | ADAPTER, STRAIGHT INCLUDES THE FOLLOWING PARTS |
| | | 7755018002 | 1 | O-RING |
| | | 7755908002 | 1 | O-RING |
| 68 | | 7447120803 | 1 | ELBOW, 90 DEGREE INCLUDES THE FOLLOWING PARTS |
| | | 7755018002 | 1 | O-RING |
| | | 7755908002 | 1 | O-RING |
| 71 | | 7447121246 | 1 | ADAPTER, 45 DEGREE |
| 73 | | 7447121203 | 2 | ELBOW, 90 DEGREE INCLUDES THE FOLLOWING PARTS |
| | | 7755018002 | 1 | O-RING |
| | | 7755912002 | 1 | O-RING |
| 74 | | 7447121208 | 2 | ELBOW, 45 DEGREE MALE INCLUDES THE FOLLOWING PARTS |
| | | 7755018002 | 1 | O-RING |
| | | 7755912002 | 1 | O-RING |
| 78 | | 7447121601 | 1 | ADAPTER, STRAIGHT INCLUDES THE FOLLOWING PARTS |
| | | 7755018002 | 1 | O-RING |
| | | 7755916002 | 1 | O-RING |
| 79 | | 7447161201 | 3 | ADAPTER, STRAIGHT INCLUDES THE FOLLOWING PARTS |
| | | 7755021002 | 1 | O-RING |
| | | 7755912002 | 1 | O-RING |
| 80 | | 7447161203 | 4 | ELBOW, 90 DEGREE INCLUDES THE FOLLOWING PARTS |
| | | 7755021002 | 1 | O-RING |
| | | 7755912002 | 1 | O-RING |
| 81 | | 7447161208 | 1 | ELBOW, 45 DEGREE INCLUDES THE FOLLOWING PARTS |
| | | 7755021002 | 1 | O-RING |
| | | 7755912002 | 1 | O-RING |
| 82 | | 7447161213 | 1 | REDUCER |
| 83 | | 7447161251 | 1 | EXPANDER |
| 84 | | 7447161601 | 1 | ADAPTER, STRAIGHT INCLUDES THE FOLLOWING PARTS |
| | | 7755021002 | 1 | O-RING |
| | | 7755916002 | 1 | O-RING |
| 85 | | 7447161603 | 1 | ELBOW, 90 DEGREE MALE |

Manitowoc Cranes



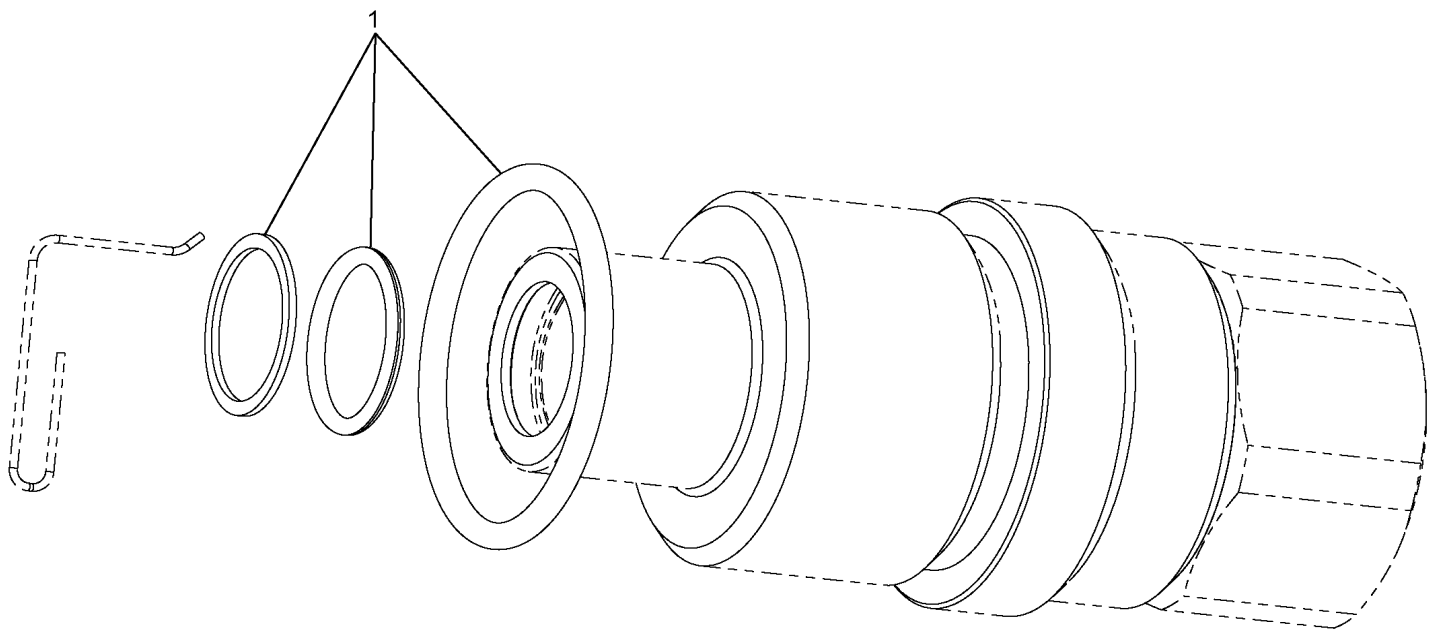
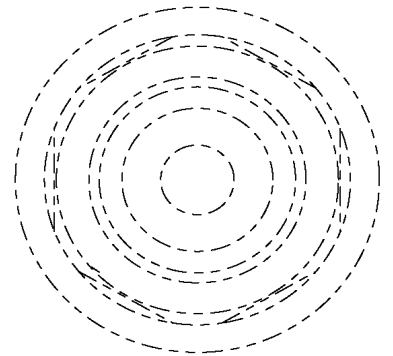
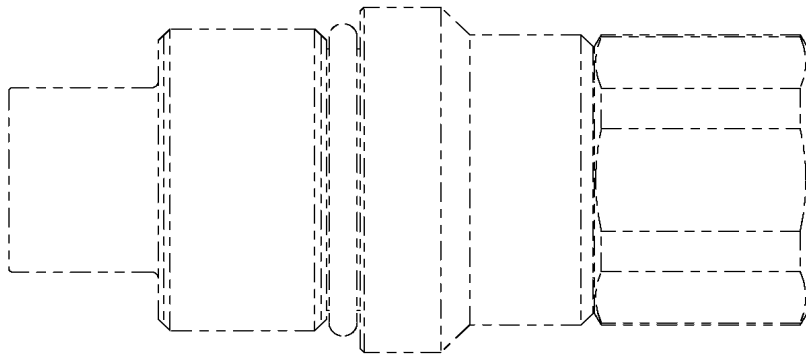
Manitowoc Cranes



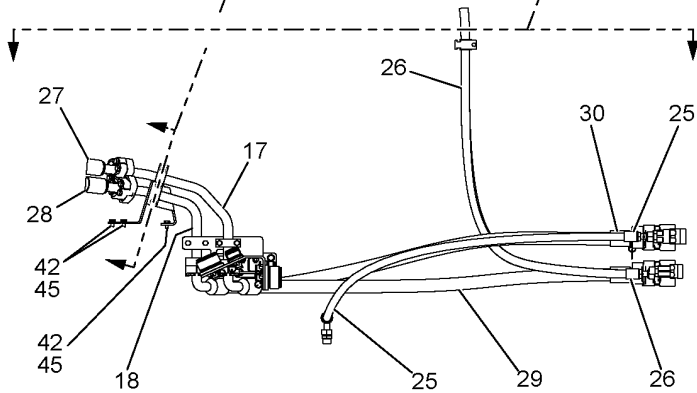
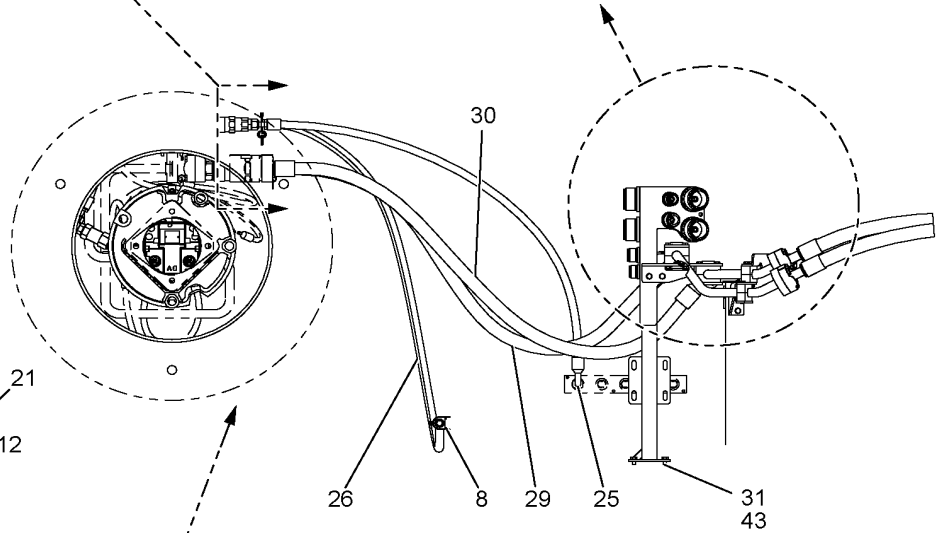
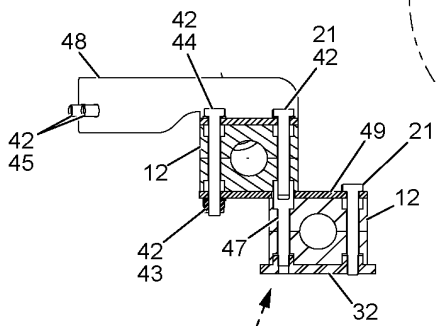
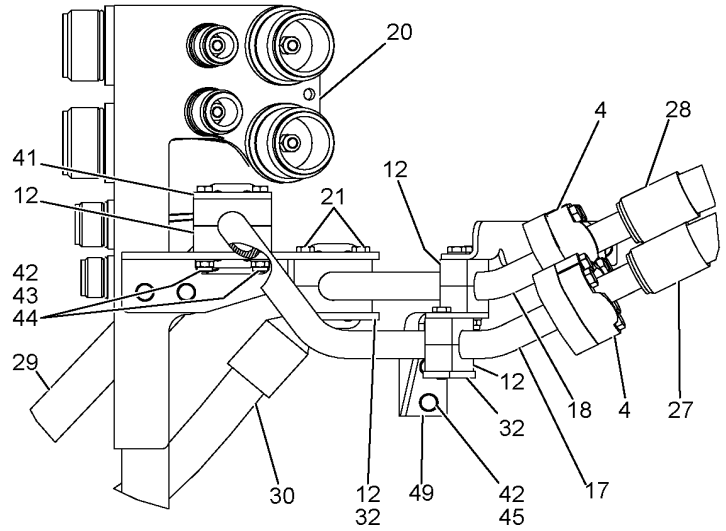
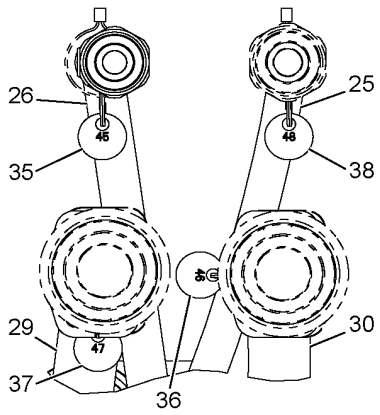
Manitowoc Cranes

| <u>Description</u> HYD LINES INSTL ACCES LOW PRES | | | | Assembly No. 81027460 Revision: M |
|--|----|------------|-----|---|
| Item | FN | Part | Qty | Description |
| 1 | | 3456850 | 3 | CLAMP TUBE |
| 2 | | 4282250 | 1 | FITTING, STRAIGHT ADAPTER |
| 3 | | A067440 | 2 | FITTING ADAPTER STRAIGHT |
| 5 | | 810058230 | 6 | CLAMP TUBE |
| 7 | | 7555512600 | 1 | HOSE ASSY |
| 8 | | 7555309600 | 1 | HOSE ASSY, 1/2" I.D. X 96" LONG |
| 9 | | 7555507102 | 1 | HOSE ASSY 0.75 X 91 STR/45 |
| 10 | | 7555316002 | 1 | HOSE ASSY CODED |
| 18 | | 4286090 | 1 | FITTING |
| 19 | | 810272810 | 1 | FITTING ADAPTER TEE |
| 20 | | 810122920 | 16 | PLUG (SAE -8) |
| 21 | | 810122940 | 3 | PLUG (SAE -12) |
| 22 | | 810074020 | 2 | MANIFOLD |
| 25 | | 81036597 | 1 | PLATE |
| 26 | | 7127152253 | 4 | SCR CAP HEX HD |
| 29 | | 7447080808 | 1 | ELBOW, 45 INCLUDES THE FOLLOWING PARTS |
| | | 7755014002 | 1 | O-RING |
| | | 7755908002 | 1 | O-RING |
| 30 | | 7447120801 | 2 | ADAPTER, STRAIGHT INCLUDES THE FOLLOWING PARTS |
| | | 7755018002 | 1 | O-RING |
| | | 7755908002 | 1 | O-RING |
| 31 | | 7447120803 | 2 | ELBOW, 90 DEGREE INCLUDES THE FOLLOWING PARTS |
| | | 7755018002 | 1 | O-RING |
| | | 7755908002 | 1 | O-RING |
| 33 | | 7555509103 | 1 | HOSE ASSY 0.75 X 91 STR/90 |
| 34 | | 7661150804 | 6 | HEX LOCK NUT PA |
| 37 | | 7951150014 | 6 | F WASHER |
| 38 | | 7951170014 | 4 | F WASHER |
| 39 | | 84025010 | 1 | MANIFOLD BLOCK |
| 41 | | 7126152253 | 2 | HHCS M6x75 -8.8 ISO 4017 |
| 42 | | 84027090 | 1 | VALVE CHECK-120RB X-120RFS |
| 44 | | 7555201601 | 1 | HOSE ASSY, 3/8" I.D. X 16" LONG |
| 45 | | 7555202801 | 1 | HOSE ASSY, 3/8" I.D. X 28" LONG |
| 46 | | 84037609 | 2 | VALVE CHECK -60RFS X -60RB |
| 47 | | 7447121234 | 1 | TEE, RUN INCLUDES THE FOLLOWING PARTS |
| | | 7755018002 | 1 | O-RING |
| 48 | | 7447120613 | 1 | REDUCER |
| 49 | | 7447060605 | 1 | TEE, RUN INCLUDES THE FOLLOWING PARTS |
| | | 7755012002 | 1 | O-RING |

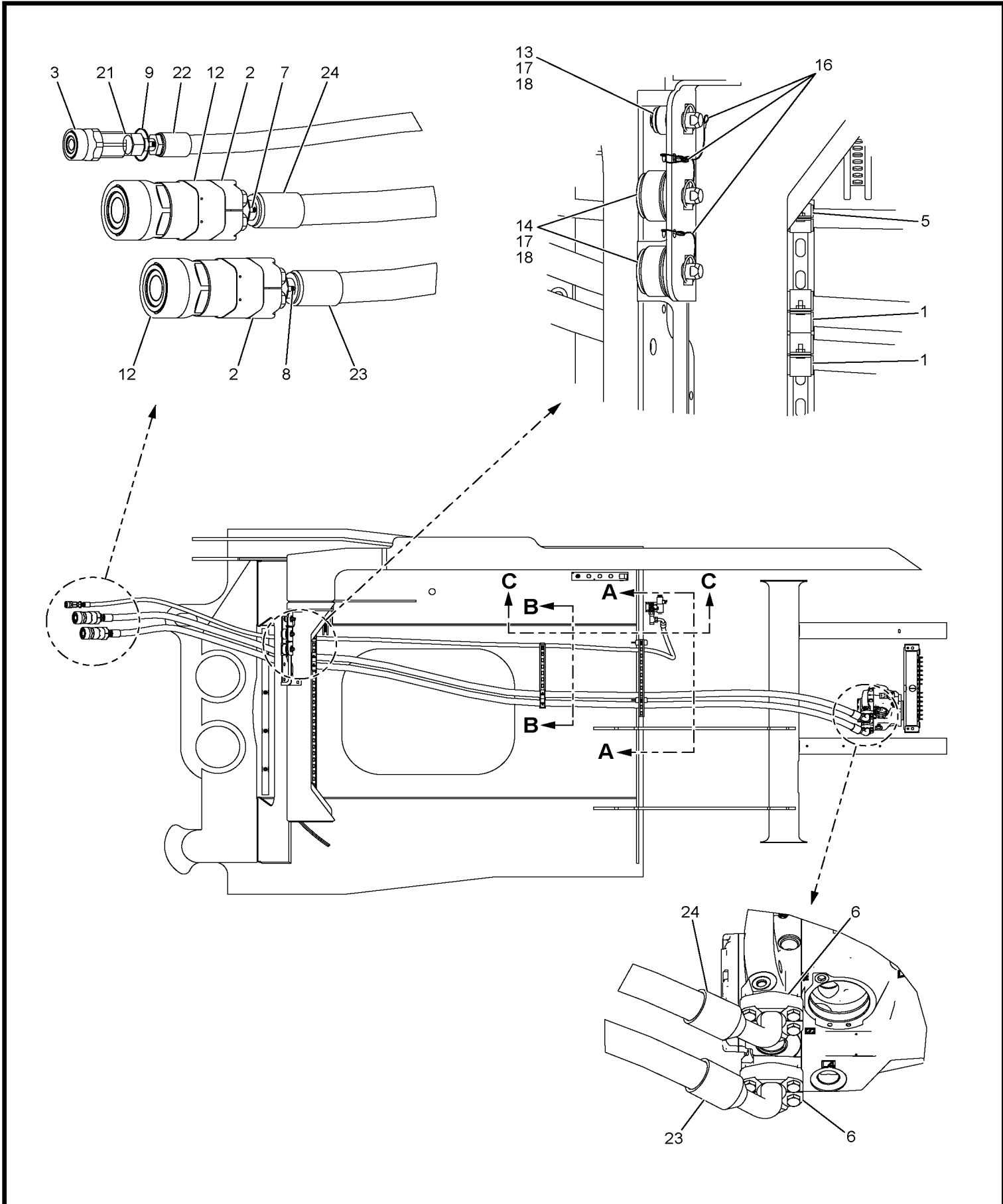
Manitowoc Cranes



Manitowoc Cranes



Manitowoc Cranes



CLICK HERE TO **DOWNLOAD** THE COMPLETE MANUAL

- Thank you very much for reading the preview of the manual.
- You can download the complete manual from: www.heydownloads.com by clicking the link below



- Please note: If there is no response to CLICKING the link, please download this PDF first and then click on it.

CLICK HERE TO **DOWNLOAD** THE COMPLETE MANUAL

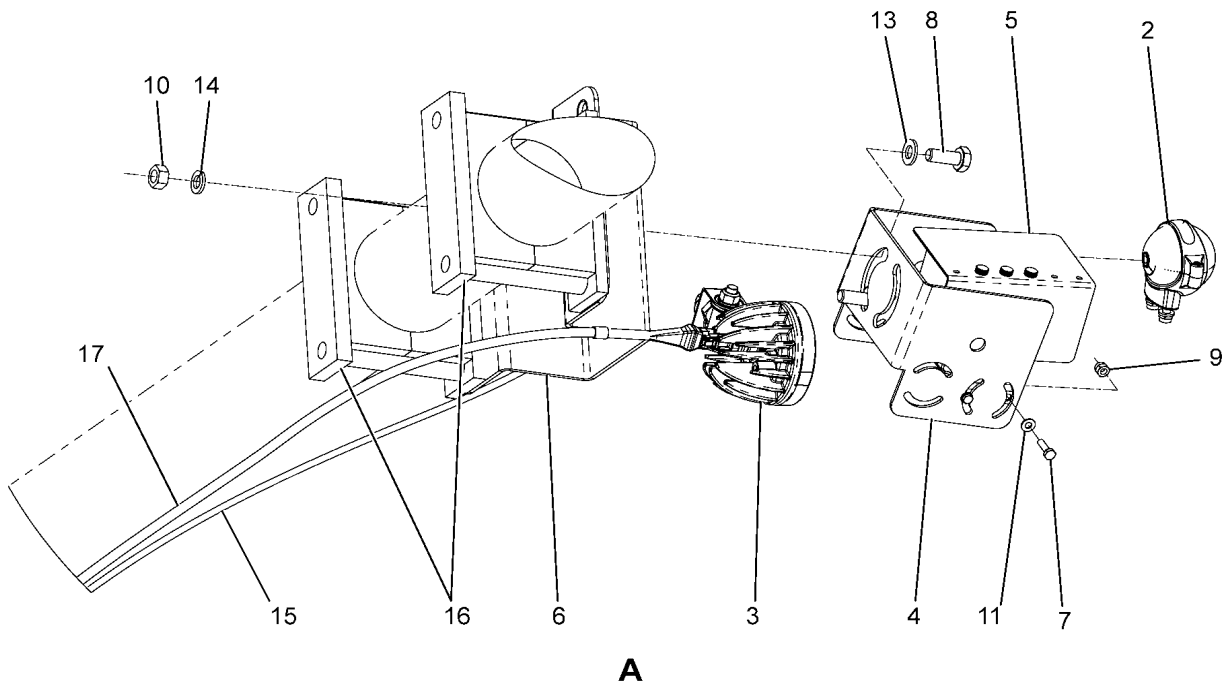
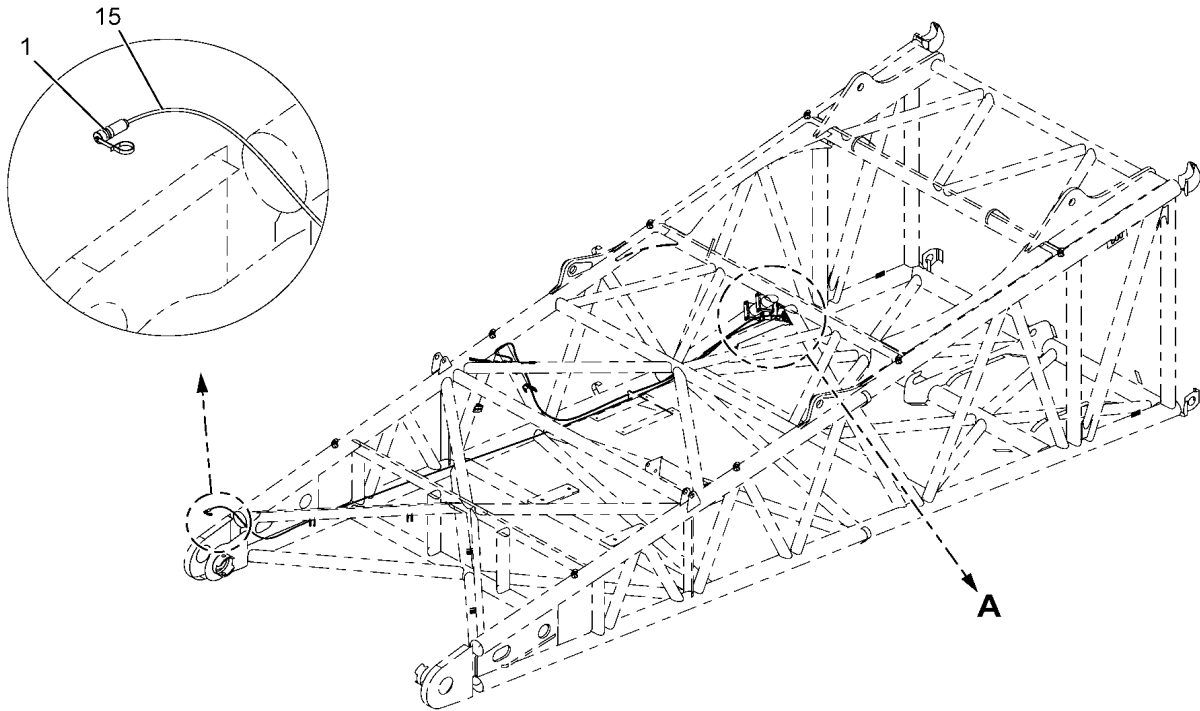
Manitowoc Cranes

Description
Q DISCON FITTING

Assembly No.
810114710
Revision:

| Item | FN | Part | Qty | Description |
|------|----|------------------|-----|----------------|
| 1 | | 810120180 | 1 | KIT, SEAL |
| 2 | | 90021783 | 1 | KIT, CARTRIDGE |

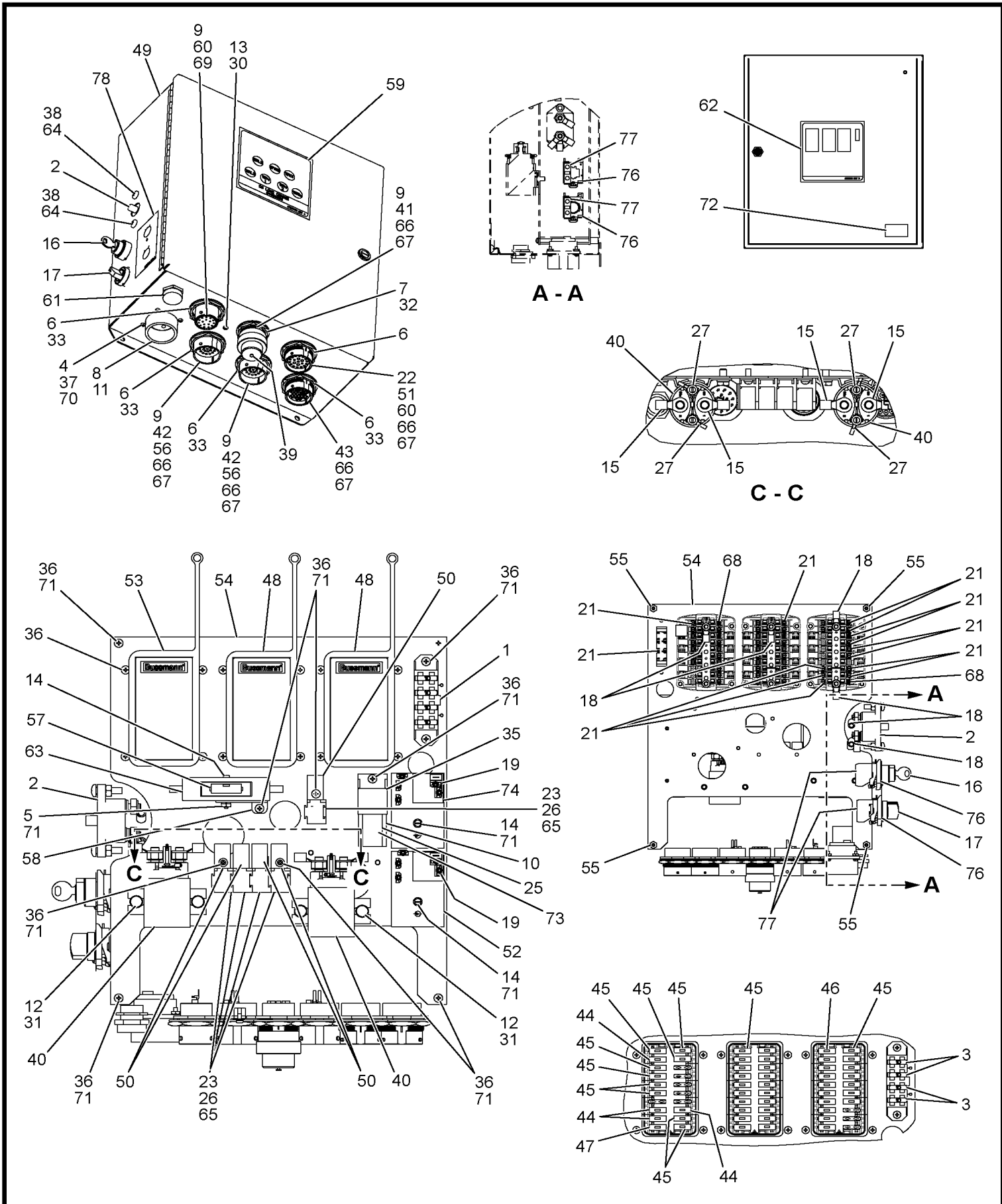
Manitowoc Cranes



Manitowoc Cranes

Notes

Manitowoc Cranes



84036350

(SHEET 1 OF 1)

Page 672

Manitowoc Cranes

Description

KIT BASE/REMOTE 2.4 GHZ

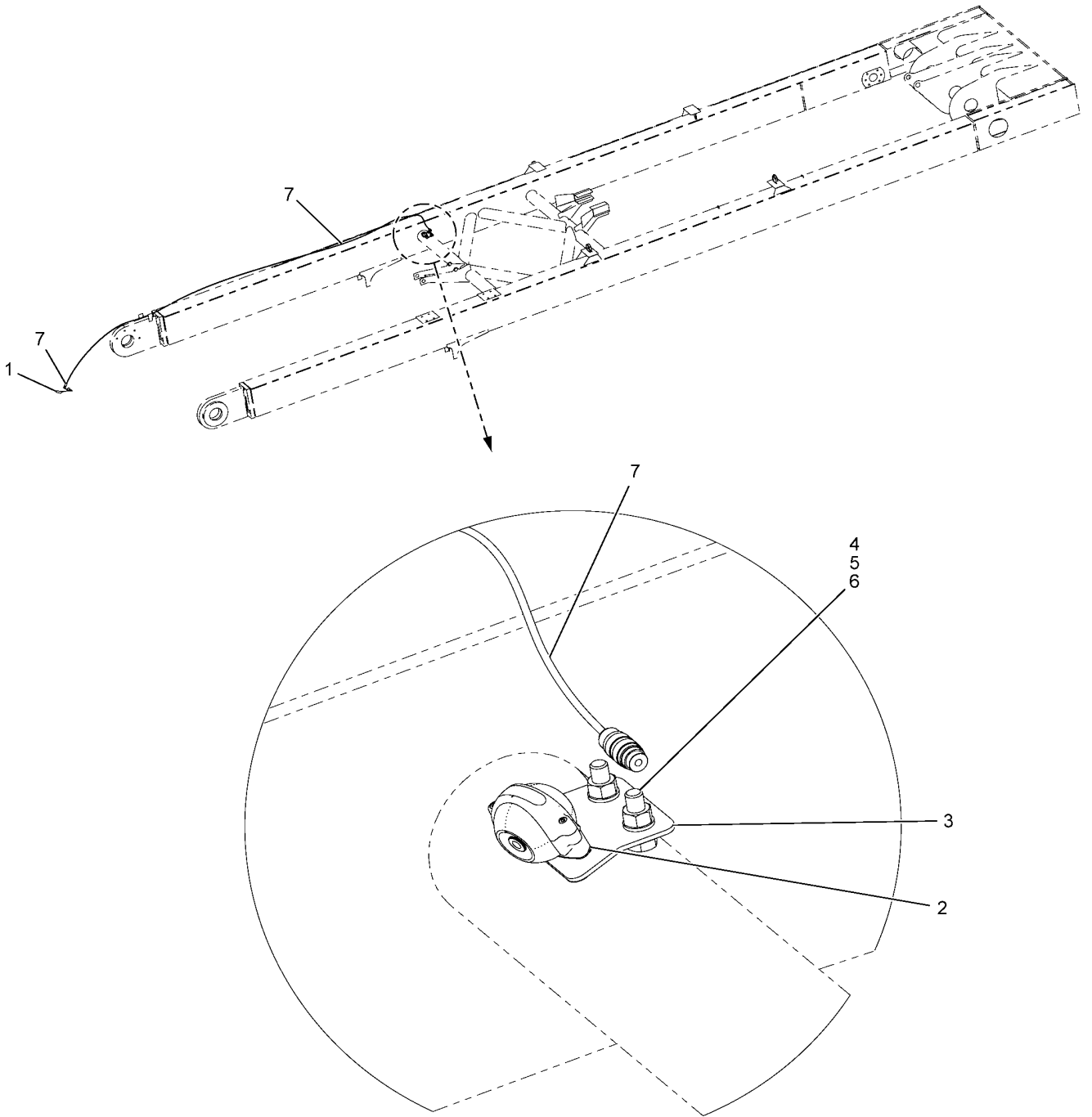
Assembly No.

81029825

Revision:

| Item | FN | Part | Qty | Description |
|------|----|------------------|-----|--|
| 1 | | 81029826 | 1 | TRANSCEIVER SETUP REMOTE 2.4 G INCLUDES ITEMS 50, 51 AND 52 |
| 2 | | 810305630 | 2 | BATTERY 3.6V 1.2AH NIMH INCLUDES ITEMS 53 AND 54 |
| 3 | | 810305640 | 1 | BATTERY CHARGER |
| 4 | | 81042455 | 1 | TRANSCEIVER BASE 2.4 GHZ |
| 50 | | 81030583 | 1 | ELECTRICAL CABLE SETUP REMOTE PART NOT SHOWN |
| 51 | | 810305870 | 1 | STRAP WAIST SETUP REMOTE PART NOT SHOWN |
| 52 | | 810305880 | 1 | STRAP NECK SETUP REMOTE PART NOT SHOWN |
| 53 | | 80097758 | 1 | ANTENNA |

Manitowoc Cranes

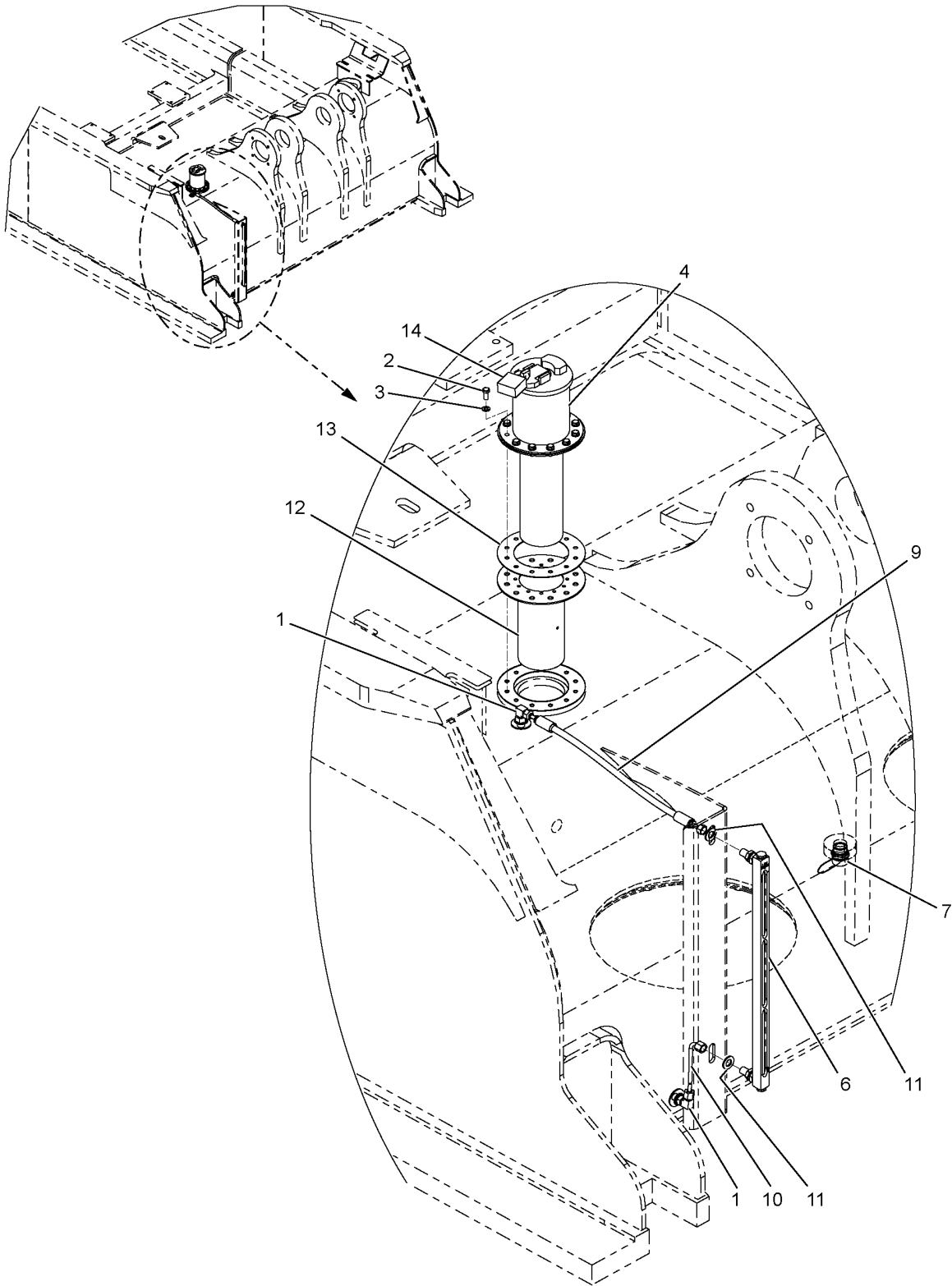


Manitowoc Cranes

| Description ESI CUMMINS QSG12 T4F | | | | Assembly No. 81025886 Revision: H |
|---|----|------------|-----|---|
| Item | FN | Part | Qty | Description |
| 3 | | 7107720 | 1 | L WASHER I/E-T |
| 6 | | 84023847 | 1 | WIRING HARNESS WEE1 |
| 7 | | 84023848 | 1 | WIRING HARNESS WEE3 |
| 11 | | 7126150753 | 1 | HHCS M6x10 -8.8 ISO 4017 |
| 13 | | 7126191153 | 2 | HHCS M10X20 8.8 |
| 14 | | 7126191253 | 15 | HHCS |
| 15 | | 7126191353 | 7 | HHCS |
| 16 | | 7126191453 | 1 | HHCS M10X35 8.8 FLZN 4017 |
| 19 | | 7661190003 | 19 | NUT, HEX 10MM |
| 24 | | 7951190010 | 28 | F WASHER 10 -HRC44-51 ISO 7089 |
| 25 | | 7951190220 | 21 | L WASHER 10 |
| 27 | | 9999102423 | 1 | BATTERY TERMINAL SPRAY |
| 29 | | A015950 | 2 | RETAINER, P-CLIP |
| 30 | | A015980 | 3 | RETAINER, P-CLIP |
| 31 | | A015990 | 9 | RETAINER, P-CLIP |
| 32 | | A022330 | 6 | RETAINER, P-CLIP |
| 34 | | A134920 | 1 | CABLE ELEC |
| 35 | | 5469560 | 1 | NUT PANEL |
| 36 | | 7114330 | 1 | WASHER |
| 37 | | 810263350 | 1 | WIRING HARNESS |
| 38 | + | 81042368 | 1 | BRACKET FUSE PANEL |
| 39 | | 810246190 | 1 | ELEC CABLE |
| 40 | | 810274280 | 1 | ELEC CABLE |
| 42 | | 7661190004 | 4 | NUT |
| 43 | | 6670050 | 3 | STRAP |
| 44 | | 6679980 | 2 | CABLE TIE 22.2 X 0.5X0.075 |
| 45 | | 810301670 | 1 | WIRING HARNESS WEH1 |
| 46 | | 80042207 | 4 | ELECTRIC COMPONENT MNTG CLIP |
| 47 | | 84024244 | 1 | BRACKET SCR SENSOR |
| 48 | | 810306480 | 1 | CABLE TIE |
| 49 | | 7951170014 | 2 | F WASHER |
| 50 | | 7126171053 | 2 | HHCS M8X16 SS ISO 4017 |
| 51 | | 7345001746 | 1 | TERMINAL, MALE 16 - 14 AWG PART NOT SHOWN. REMOVE EXISTING WIRE CONNECTOR ON A/C COMPRESSOR AND INSTALL CONNECTOR ITEM 51, 7345001746. |

+ SEE FURTHER BREAKDOWN THIS GROUP

Manitowoc Cranes



Manitowoc Cranes

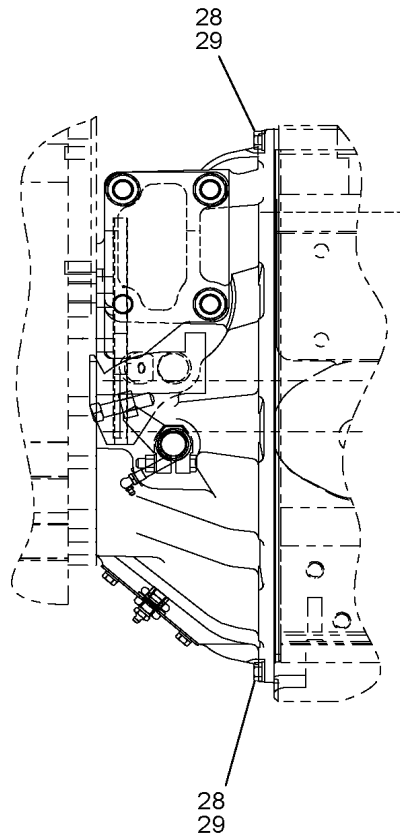
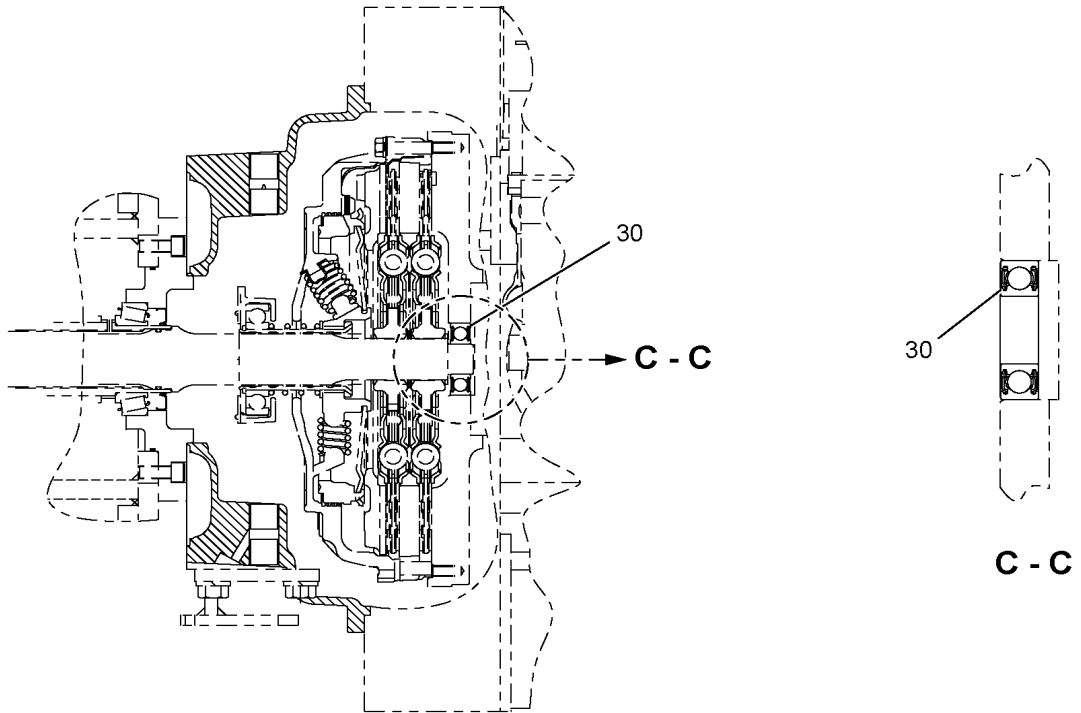
Description
SERVICE KIT 500 HRS

Assembly No.
90046857
 Revision: **C**

| Item | FN | Part | Qty | Description |
|------|----|-----------------|-----|--|
| 3 | | 90046855 | 1 | FILTER ELEMENT |
| 4 | | 90048547 | 1 | FILTER, OIL |
| 5 | | A053600 | 1 | SCA TEST KIT SINGLE-USE |
| 6 | | 90047313 | 1 | FILTER, FUEL |
| 7 | + | 90048403 | 1 | KIT SERVICE 1000 HRS FOR REFERENCE ONLY; NOT INCLUDED IN 90046857. |

+ SEE FURTHER BREAKDOWN THIS GROUP

Manitowoc Cranes



Manitowoc Cranes

Notes

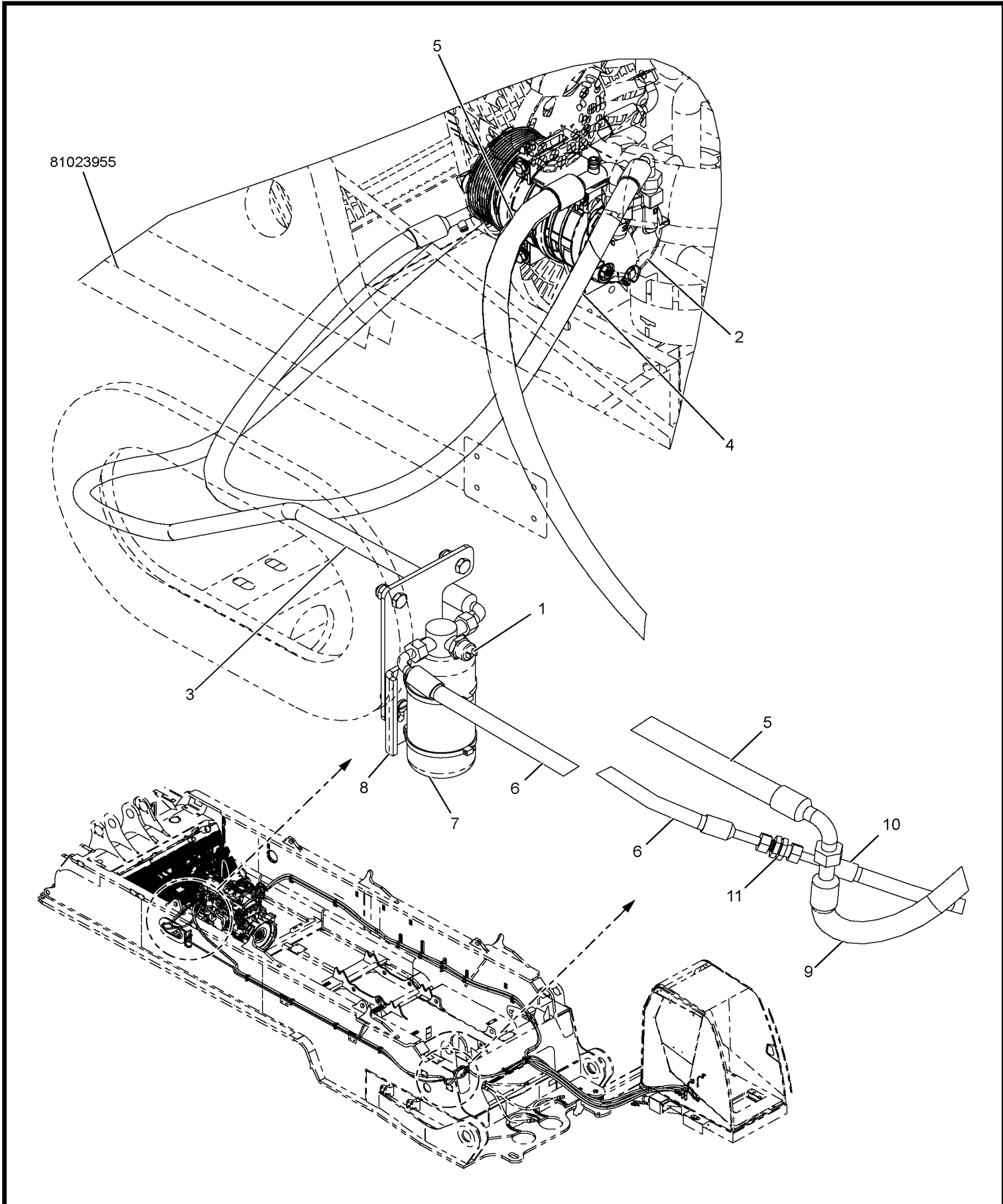
Manitowoc Cranes

Description
PANEL ENCL ASSY

Assembly No.
810295592
Revision: B

| Item | FN | Part | Qty | Description |
|------|----|-------------------|-----|-------------------------------|
| 1 | | 81029473 | 1 | PANEL ENCL COOLER |
| 2 | | 81029476 | 1 | BRACKET COOLER |
| 3 | | 81029477 | 1 | HINGE COOLER ENCLOSURE |
| 4 | | 7126151053 | 6 | CAP SCREW, M6 X 16MM HEX HEAD |
| 5 | | 7126151153 | 5 | HHCS M6X20 SS ISO 4017 |
| 6 | | 7661150003 | 11 | NUT, HEX |
| 7 | | 7951150014 | 22 | F WASHER |

Manitowoc Cranes



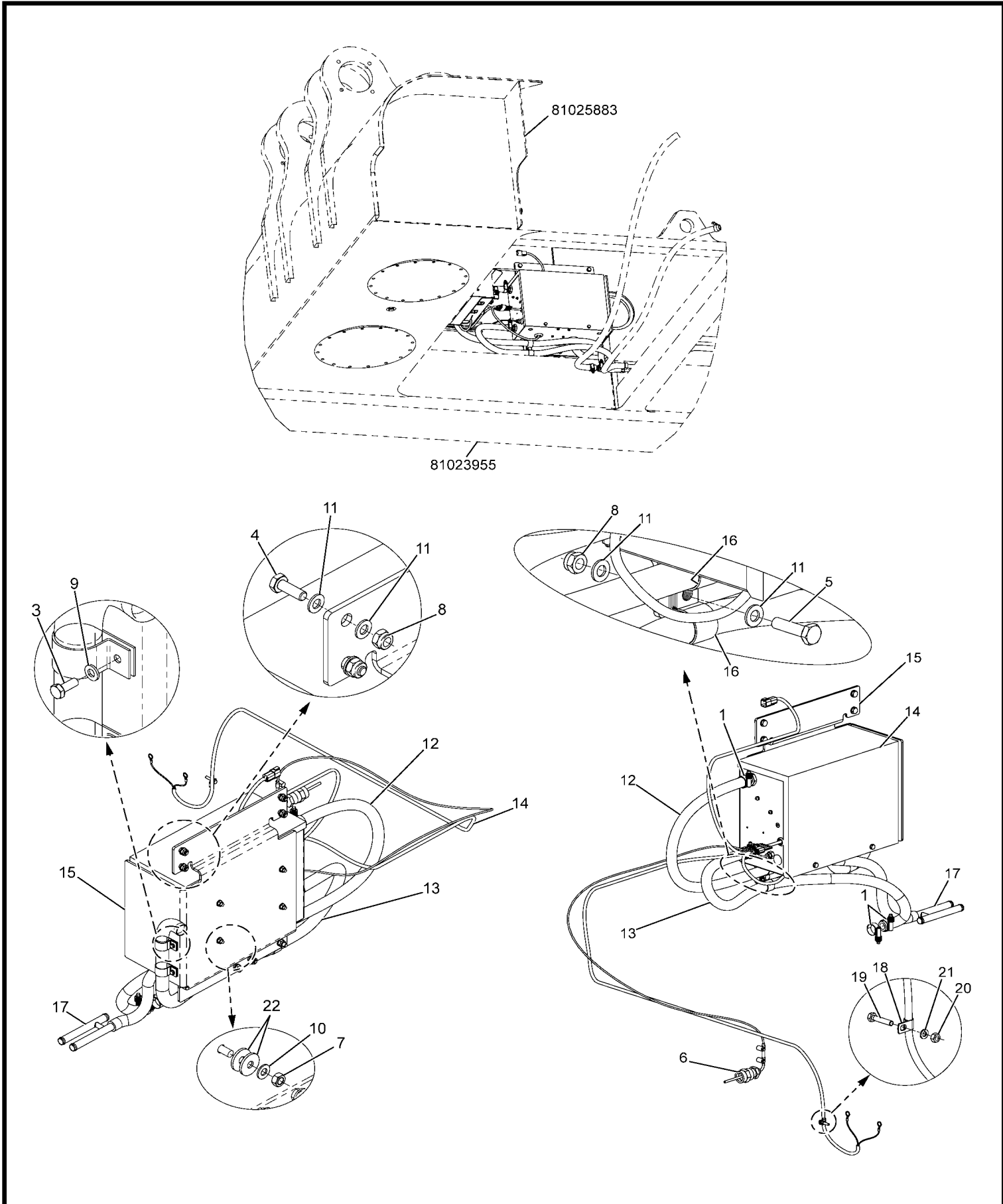
Manitowoc Cranes

Description
LANYARD

Assembly No.
810293652
Revision: **B**

| Item | FN | Part | Qty | Description |
|------|----|------------------|-----|-------------|
| 1 | | 810070010 | 1 | WIRE |
| 2 | | 810070020 | 2 | SLEEVE |
| 3 | | A126470 | 1 | PIN SAFETY |

Manitowoc Cranes



81037291

(SHEET 1 OF 1)

Page 828

Manitowoc Cranes

Description

JUNCTION BOX ASSY APU DC

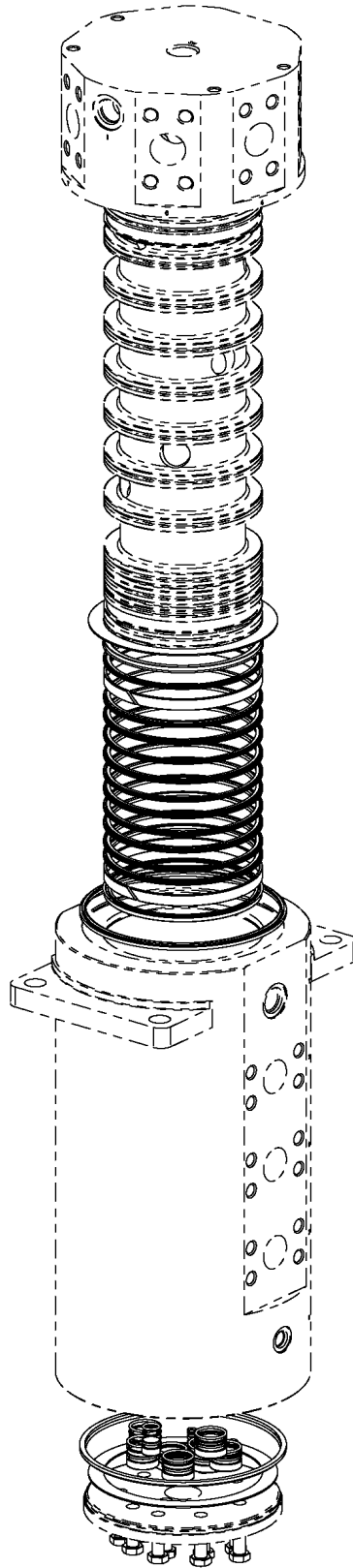
Assembly No.

81040179

Revision: **C**

| Item | FN | Part | Qty | Description |
|------|----|-------------------|-----|--------------------------------|
| 1 | | 80038357 | 2 | CABLE LUG 3/0, 3/8" STUD |
| 2 | | 81026213 | 1 | BREATHER 0.5 NPT |
| 3 | | 81038853 | 1 | RECEPTACLE 2P 260A DC |
| 4 | | 81038854 | 1 | HOUSING ELEC TERMINAL RED |
| 5 | | 81038855 | 1 | HOUSING ELEC TERMINAL BLACK |
| 6 | | 81038856 | 2 | TERMINAL CONTACT 3/0 AWG |
| 7 | | 81038857 | 1 | TERMINAL BLOCK BUSHING 550A BL |
| 8 | | 81038858 | 1 | TERMINAL BLOCK BUSHING 550A RE |
| 9 | | 81038859 | 1 | SEAL WASHER BLACK |
| 10 | | 81038861 | 1 | SEAL WASHER RED |
| 11 | | 81039867 | 1 | JUNCTION BOX WELDMENT APU DC |
| 12 | | 81040165 | 1 | JUNCTION BOX COVER APU DC |
| 13 | | 81040166 | 1 | GASKET JUNCTION BOX APU DC |
| 14 | | 81040353 | 1 | GASKET JUNCTION BOX APU DC |
| 15 | | 7126151153 | 4 | HHCS M6X20 SS ISO 4017 |
| 16 | | 7951150210 | 4 | LOCKWASHER, 6MM I.D. |
| 50 | | 2967160 | 1 | CABLE PER FOOT |

Manitowoc Cranes



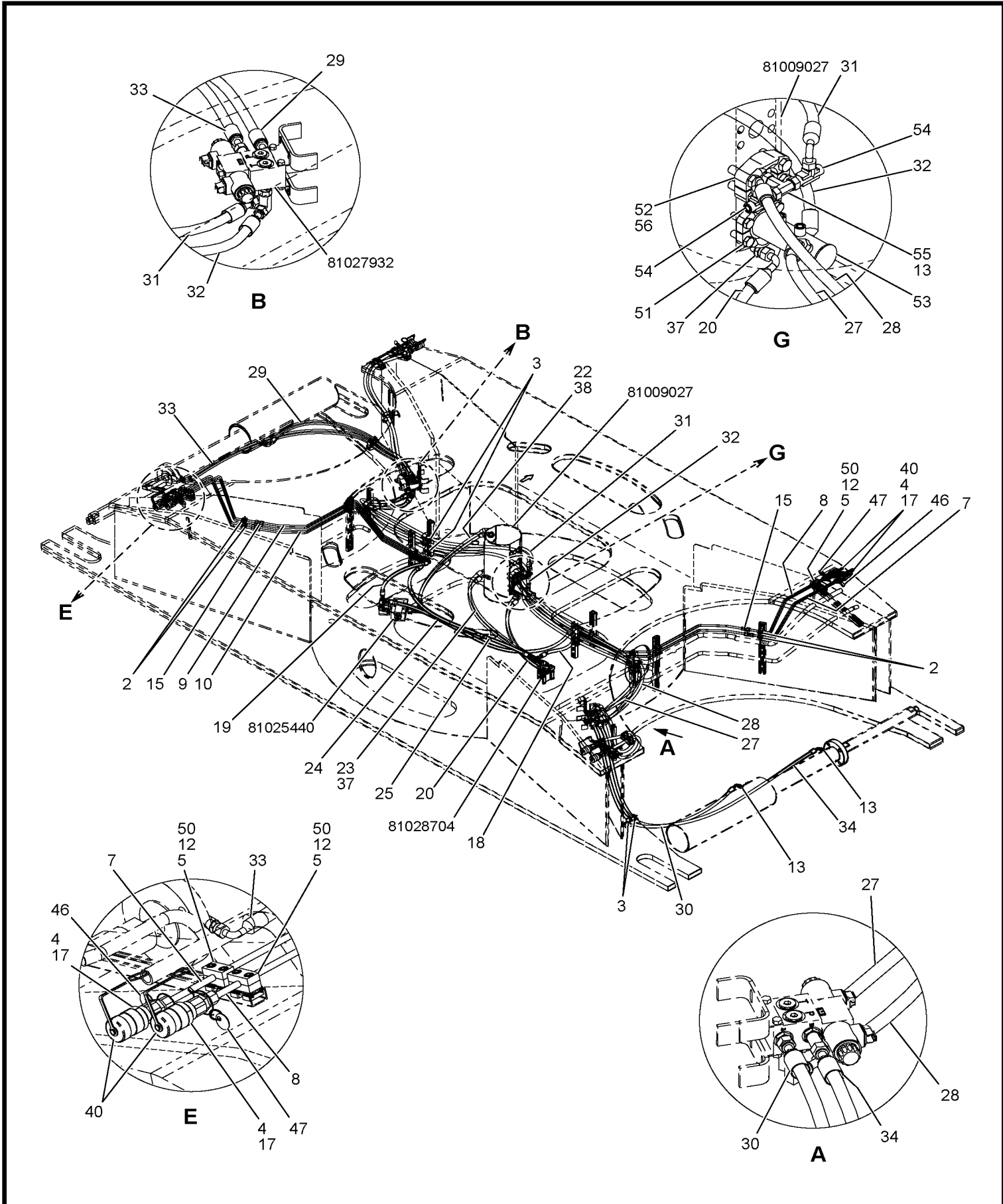
Manitowoc Cranes

Description
VALVE FLOW CONTROL

Assembly No.
810254400
Revision: **D**

| Item | FN | Part | Qty | Description |
|------|----|-------------------|-----|--------------------------------|
| 1 | | 7447121253 | 2 | MALE CONNECTOR ORFS/BSPP |
| 2 | | 7447161653 | 1 | ADAPTER-MALE ORFS TO MALE BSPP |

Manitowoc Cranes



81029218

(SHEET 1 OF 1)

Page 880

Manitowoc Cranes

Description

JACK CYL ASSY LOWERWORKS

Assembly No.

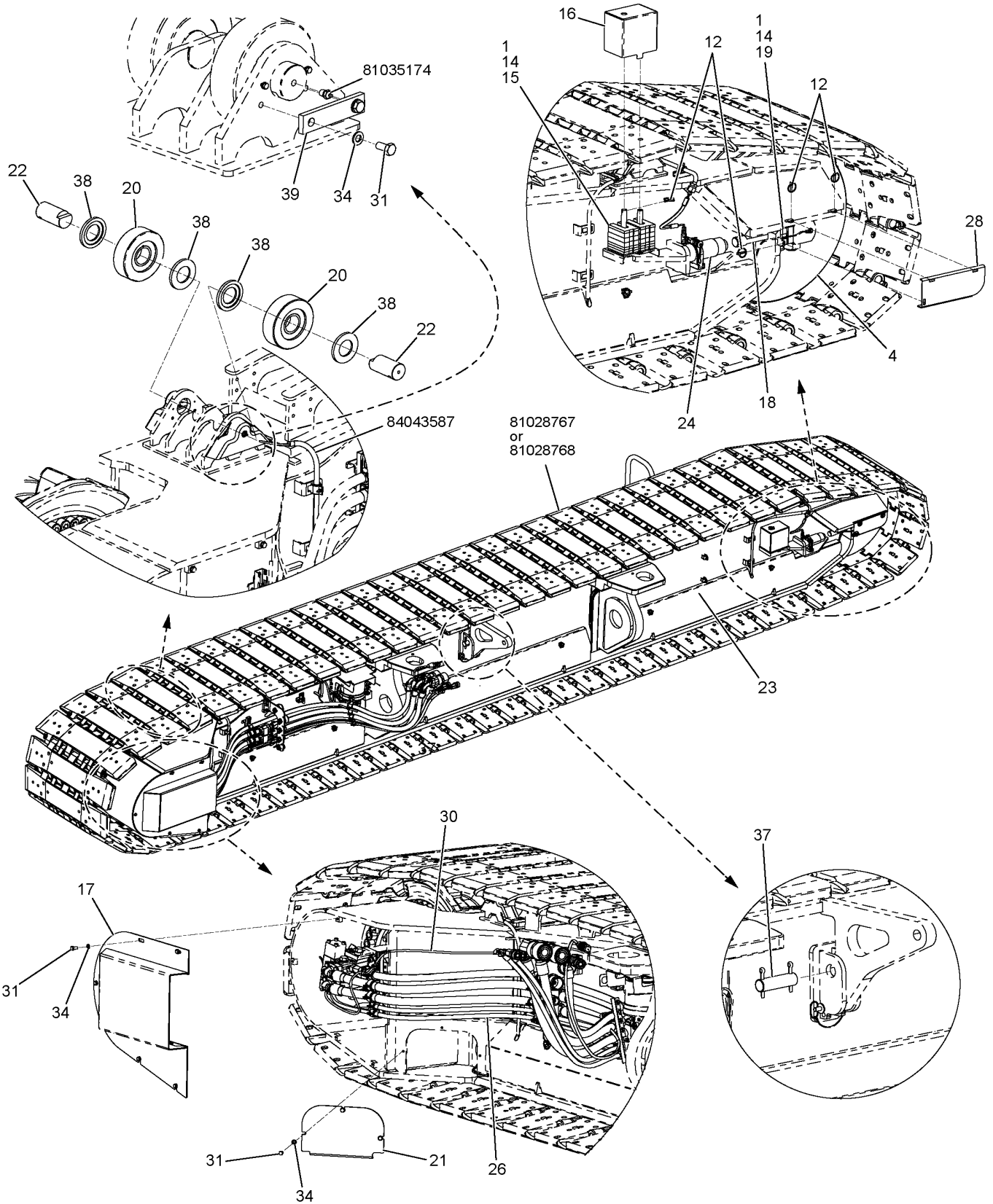
81027972

Revision: **C**

| Item | FN | Part | Qty | Description |
|------|----|------------|-----|--------------------------------|
| 1 | | 4290100 | 8 | FITTING LUBE, NPT .25 |
| 2 | | 5638710 | 4 | PIN, SAFETY |
| 3 | + | 81040882 | 4 | OUTRIGGER PAD ASSY |
| 4 | | 7126271453 | 8 | HHCS |
| 5 | | 7951270210 | 8 | L WASHER 20 FLZN DIN7980 |
| 6 | | A057860 | 4 | PIN COTTER |
| 7 | | 84025946 | 4 | CYLINDER HYD 7.5 BORE X 42 STR |
| 8 | | A113752 | 4 | PIN JACKING CYL |
| 9 | | A113862 | 4 | PIN 1 HOLE W/HD |
| 10 | | 84033736 | 4 | PLATE 12.0 MM |

+ SEE FURTHER BREAKDOWN THIS GROUP

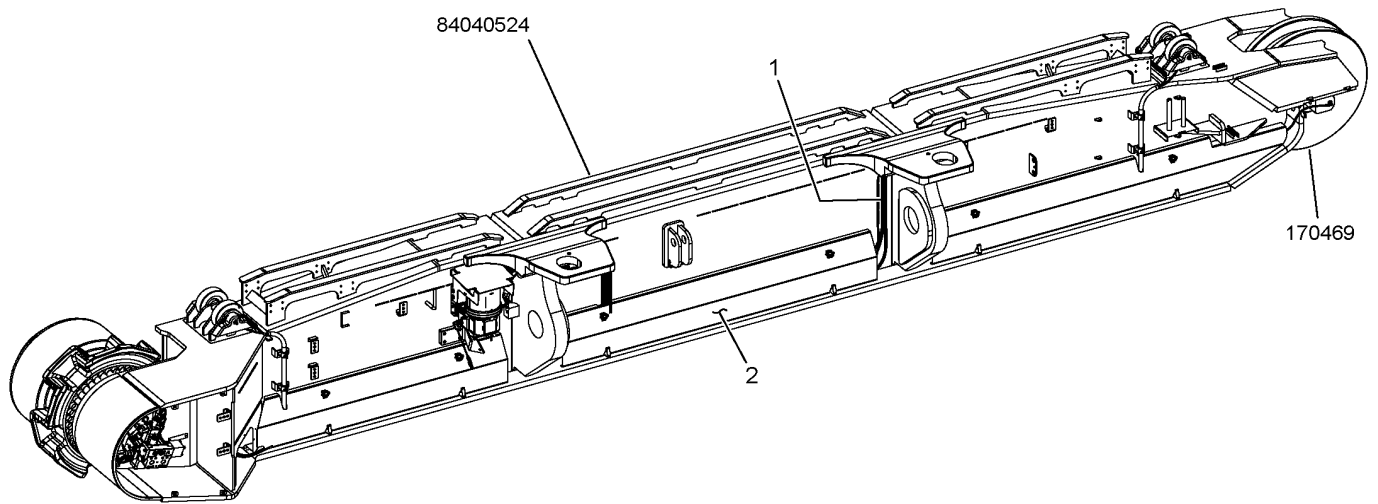
Manitowoc Cranes



Manitowoc Cranes

Notes

Manitowoc Cranes



Manitowoc Cranes

Description

BOOM ANGLE INDICATOR ASSY

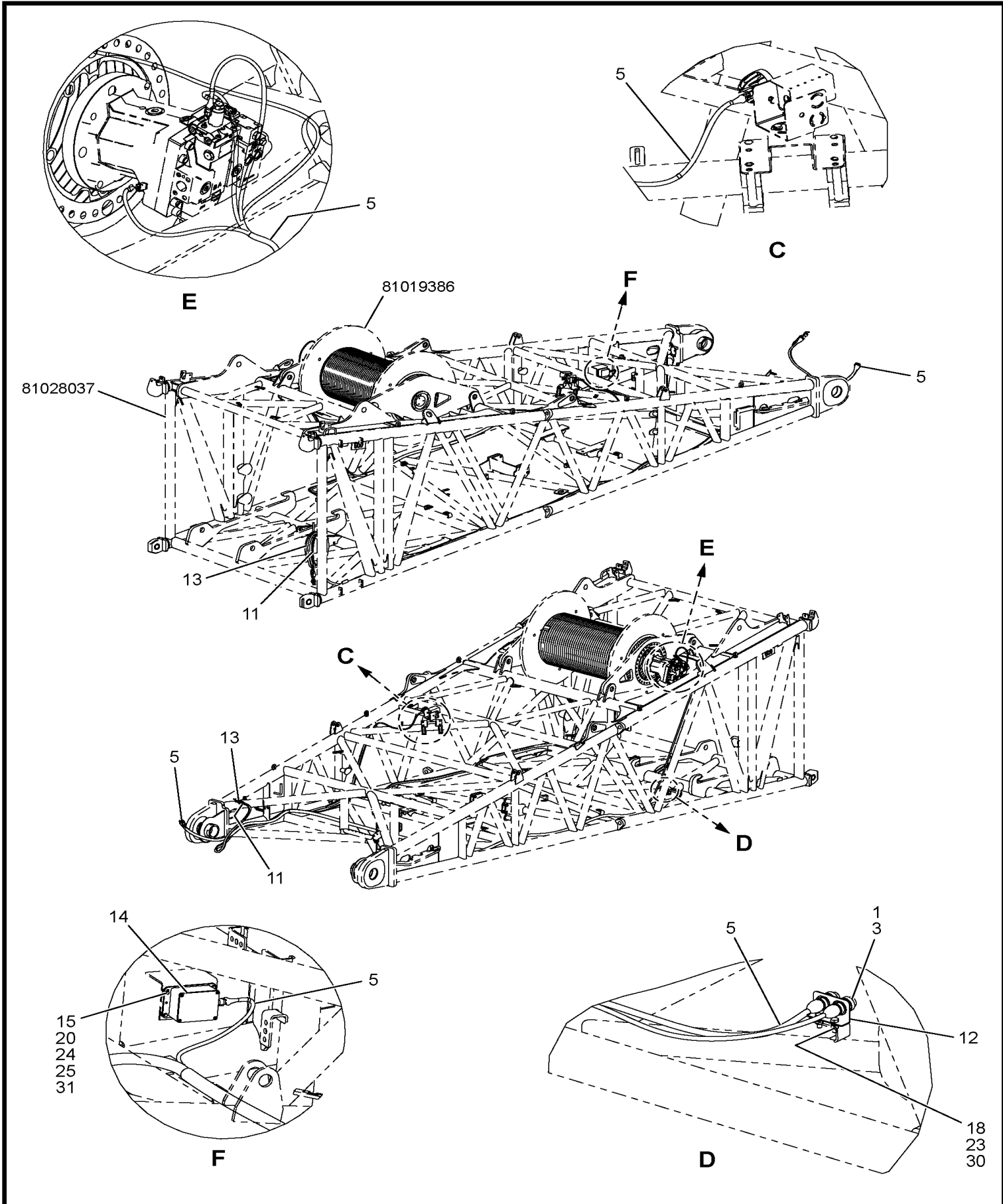
Assembly No.

1687791

Revision: **FA**

| Item | FN | Part | Qty | Description |
|------|----|----------------|-----|---------------------------|
| 1 | | 1687742 | 1 | PIN, (NO HOLES) WITH HEAD |
| 2 | | 1687752 | 1 | PLATE |
| 3 | | 1687762 | 1 | GUARD |
| 4 | | 1687772 | 1 | PLATE MOUNTING |
| 5 | | 1687782 | 1 | PLATE |
| 6 | | 2241950 | 1 | BEARING, BALL |

Manitowoc Cranes



810259451

(SHEET 1 OF 1)

Page 958

Manitowoc Cranes

| <u>Description</u> WINCH | | | | Assembly No. 810099570 Revision: D |
|------------------------------------|----|------------|-----|--|
| Item | FN | Part | Qty | Description |
| 1 | | 90024322 | 1 | MOTOR, HYDRAULIC |
| 2 | | 90024323 | 1 | VALVE, COUNTERBALANCE INCLUDES ITEMS 64 AND 65 |
| 3 | | 9974102638 | 1 | SHAFT |
| 4 | | 9974102337 | 1 | PISTON |
| 5 | | 9974102340 | 2 | PIN |
| 6 | | 9974220390 | 1 | O-RING |
| 7 | | 90024325 | 4 | SCREW, SOCKET HEAD |
| 8 | | 9974220374 | 2 | SCREW, HEX CAP |
| 9 | | 9974220375 | 2 | WASHER, LOCK |
| 10 | | 9974220376 | 6 | SCREW, HEX CAP |
| 11 | | 9974220377 | 6 | WASHER, LOCK |
| 12 | | 9974103137 | 6 | FITTING, 90 DEG. |
| 13 | | 9974220379 | 1 | TAG, WARNING PART NOT SHOWN |
| 14 | | 9974220385 | 3 | HOSE |
| 15 | | 9974102353 | 1 | SPACER |
| 16 | | 90024326 | 1 | MANIFOLD, VALVE |
| 17 | | 90024324 | 1 | O-RING |
| 18 | | 90024328 | 4 | SCREW, SOCKET HEAD |
| 19 | | 9974102335 | 1 | SUPPORT, MOTOR |
| 20 | | 9974220388 | 4 | WASHER, HI-COLLAR |
| 21 | | 9974220389 | 1 | CAPLUG (1-1/4) PART NOT SHOWN |
| 22 | | 9974220394 | 1 | CAPLUG (1-1/4) PART NOT SHOWN |
| 23 | | 9974102645 | 1 | SUPPORT |
| 24 | | 9974102299 | 1 | RING, GEAR |
| 25 | | 9974102646 | 1 | CARRIER |
| 26 | | 9974102647 | 1 | GEAR |
| 27 | | 9974102648 | 1 | WASHER THRUST NYLON |
| 28 | | 981502 | 1 | WASHER - THRUST - NYLON |
| 29 | | 9974102650 | 1 | O-RING |
| 30 | | 90024329 | 1 | CARRIER ASSEMBLY, PRIMARY |
| 31 | | 9974102651 | 2 | WASHER THRUST |
| 32 | | 90024330 | 1 | COVER, GEAR END |
| 33 | | 90024331 | 1 | COUPLING, DRIVE |
| 34 | | 90024332 | 1 | LEVER, KICKOUT |
| 35 | | 90024333 | 1 | GEAR, SUN |
| 36 | | 90024334 | 1 | SHAFT, SHIFTER |

Manitowoc Cranes

Notes

Manitowoc Cranes

Description

DECAL KIT MLC300 BOOM INS W/EQ

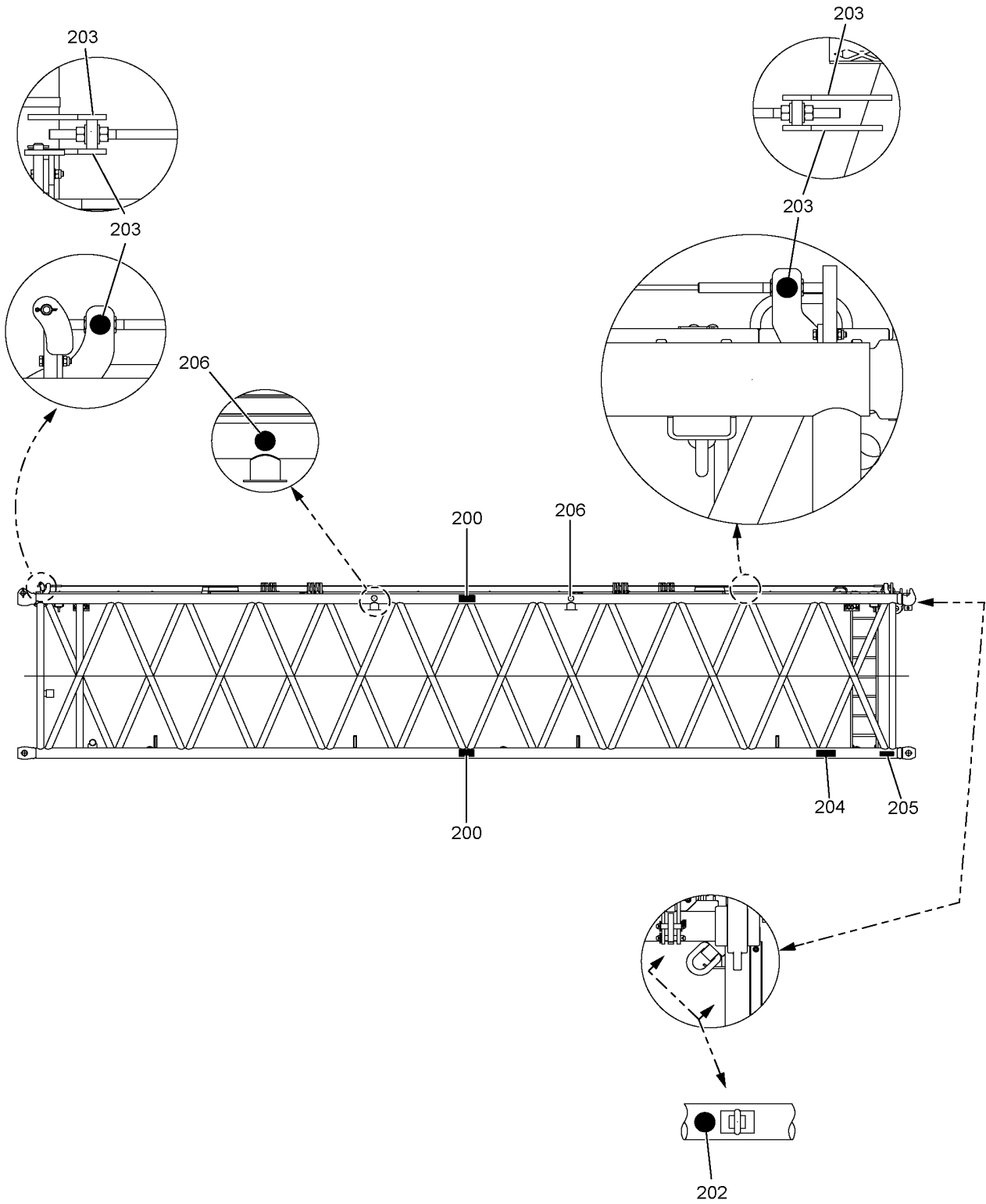
Assembly No.

80112862

Revision: **A**

| Item | FN | Part | Qty | Description |
|------|----|------------------|-----|--------------------------------|
| 300 | | 81041859 | 4 | DECAL INSERT LIFTING |
| 302 | | 81007342 | 4 | DECAL-TIE DOWN POINT |
| 303 | | 81017794 | 8 | DECAL-PERSONNEL TIE DOWN POINT |
| 304 | | 810121832 | 2 | DECAL WARNING FALL PROTECTION |
| 305 | | 1941832 | 2 | DECAL (EN) CAUTION BOOM EQUALI |
| 306 | | 81007341 | 4 | DECAL-LIFT POINT |
| 307 | | 147852 | 2 | DECAL-DANGER-BOOM HAZARD |

Manitowoc Cranes



Manitowoc Cranes

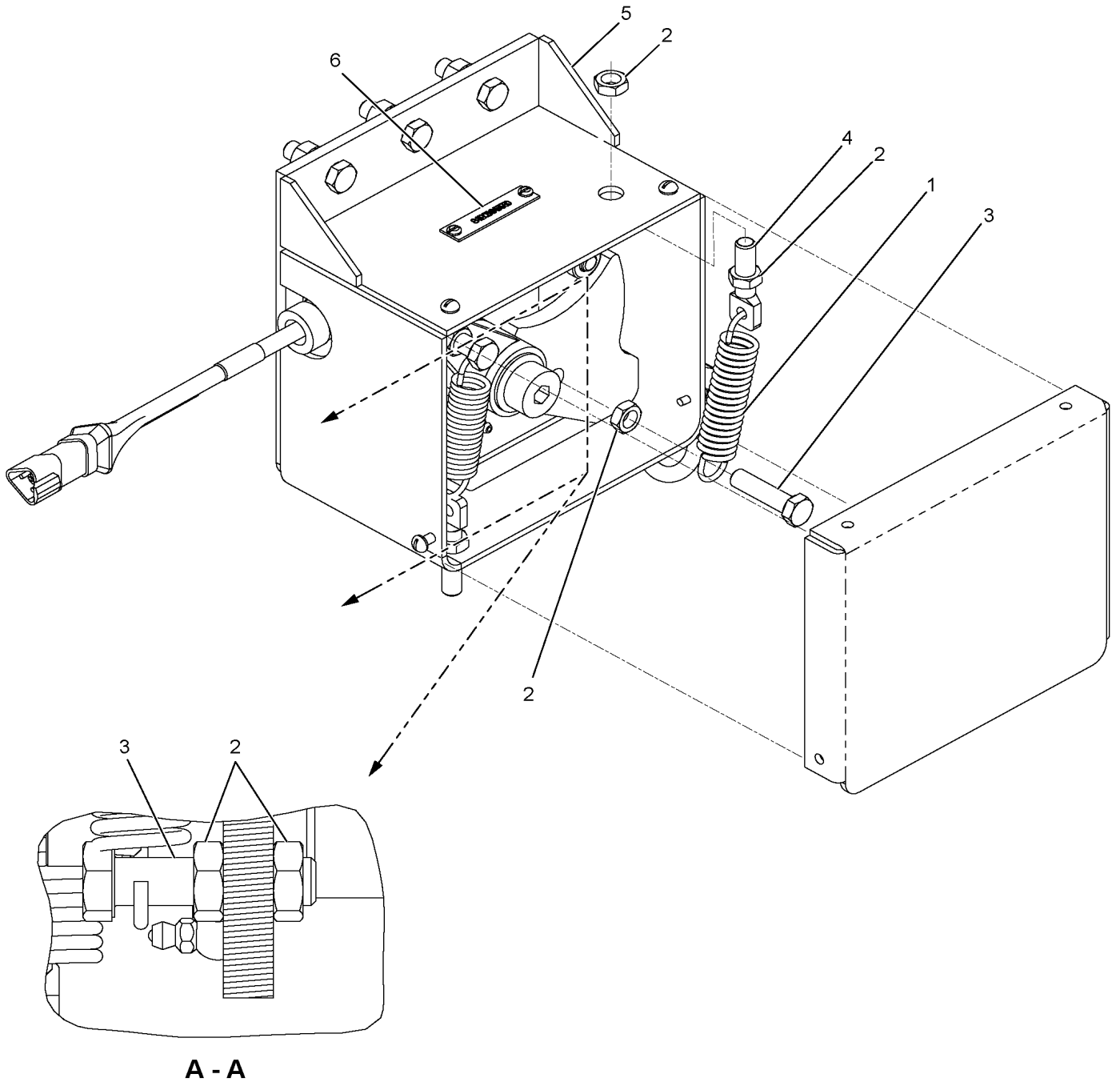
Description
GUIDE ASSY DRUM 2,3 UPPER

Assembly No.
81029628
Revision: C

| Item | FN | Part | Qty | Description |
|------|----|-------------------|-----|--------------------------------|
| 1 | | 5638230 | 2 | PIN SAFETY |
| 2 | + | 810258190 | 2 | SHEAVE ASSY |
| 3 | | 810278922 | 1 | PLATE KEEPER 20.0 MM |
| 5 | | 810296292 | 1 | GUIDE MACH FRAME UPPER RH |
| 6 | | 810297312 | 1 | PLATE KEEPER |
| 7 | | 810310602 | 1 | SHAFT 129.95 X 292.0 LG |
| 8 | | 810310712 | 1 | GUIDE MACH FRAME UPPER LH |
| 9 | | 7126272053 | 3 | HHCS FULL THREAD |
| 10 | | 7127271453 | 2 | HHCS FULL THREAD |
| 11 | | 7951270210 | 3 | L WASHER 20 FLZN DIN7980 |
| 12 | | 81037335 | 2 | PIN 1 HOLE W/HD 38.0 DIA X 230 |

+ SEE FURTHER BREAKDOWN THIS GROUP

Manitowoc Cranes



Manitowoc Cranes

Description

SUBASSY POSITION LIGHT

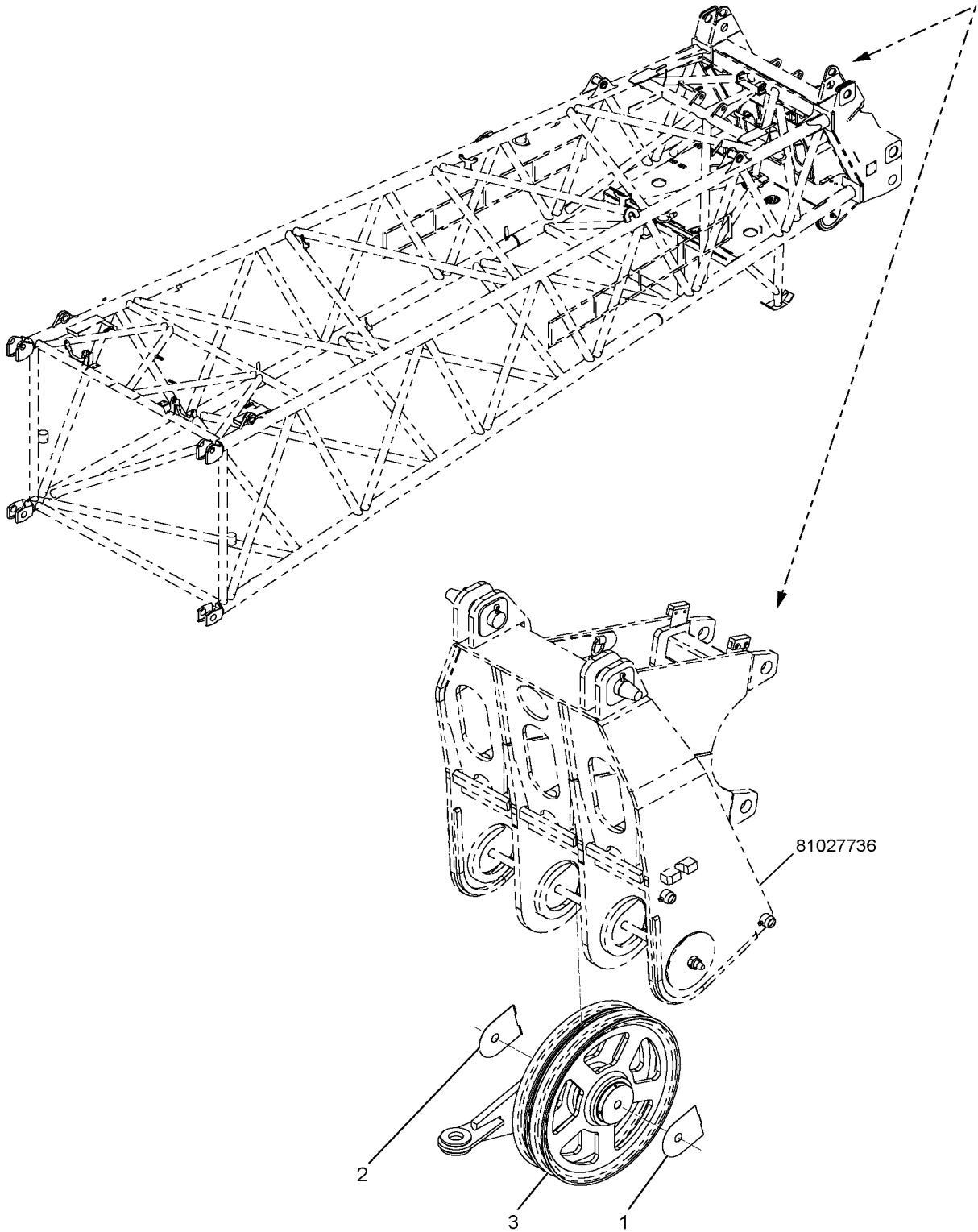
Assembly No.

810250570

Revision: **F**

| Item | FN | Part | Qty | Description |
|------|----|------------------|-----|--------------------------------|
| 2 | | 4716820 | 1 | CONNECTOR, GRIP CORD 7/16" BO |
| 3 | | 5080240 | 1 | LIGHT, RED WARNING |
| 5 | | 6806940 | 2 | TERMINAL, PIN |
| 6 | | 810152050 | 1 | RECEPTACLE |
| 8 | | 810134310 | 1 | STRAP, CABLE TIE |
| 9 | | 810248390 | 1 | PLUG ASSEMBLY, ELECTRICAL SEAL |
| 10 | | 84022974 | 1 | HEAT SHRINK TUBING 16/4 |
| 50 | | 2971810 | 6 | CABLE, LO-TEMP |

Manitowoc Cranes



Manitowoc Cranes

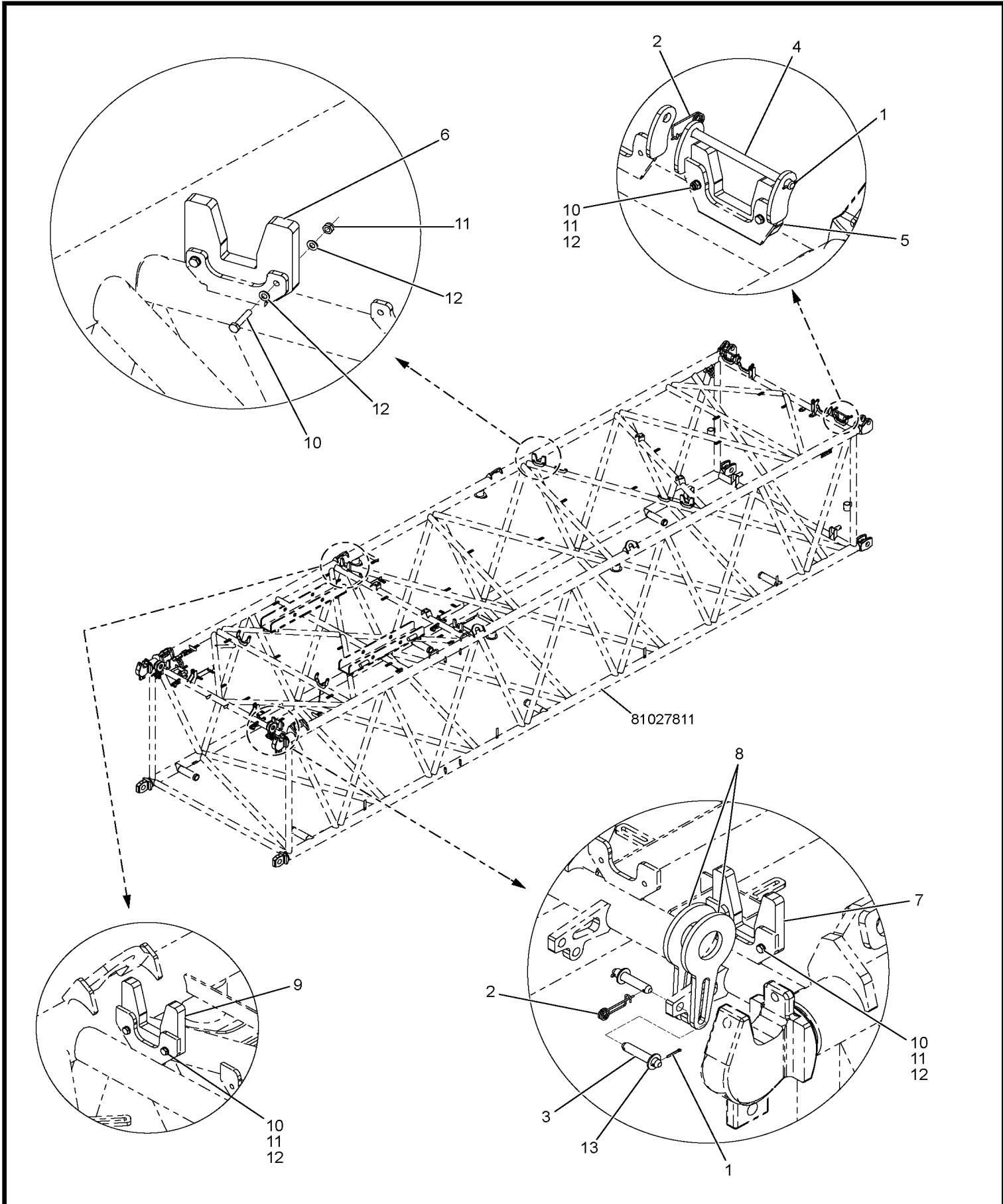
Description
INSERT ASSY 6M #500

Assembly No.
810278200
Revision: E

| Item | FN | Part | Qty | Description |
|------|----|------------|-----|--|
| 1 | | 5620640 | 4 | PIN COTTER |
| 2 | | 5620850 | 8 | PIN COTTER |
| 3 | | 5621720 | 2 | PIN COTTER |
| 4 | | 5636400 | 4 | SAFETY PIN |
| 5 | | 84024200 | 4 | SAFETY PIN |
| 6 | | 810249512 | 4 | PIN 1 HOLE W/HD |
| 7 | | 810249552 | 4 | LINK |
| 9 | | 810254722 | 2 | CLAMP CABLE |
| 10 | | 810277822 | 2 | PIN 2 HOLE |
| 11 | | 810277952 | 1 | TIMBER |
| 12 | | 810278212 | 1 | INSERT REF 0-2256 FOR LACINGS (DWG 81027822) |
| 13 | | 810294422 | 2 | BRACKET |
| 14 | | 810294472 | 2 | BRACKET |
| 15 | | 810294520 | 2 | BRACKET |
| 16 | | 81029621 | 2 | STRAP 5.78M #500 |
| 17 | + | 810312801 | 1 | CATWALK ASSY #500 6M INSERT |
| 19 | | 7126151150 | 4 | CAP SCREW, M6X20 HEX HEAD |
| 20 | | 7126191850 | 16 | HHCS M10x55 -8.8 ISO 4014 |
| 22 | | 7661150803 | 4 | NUT NYLOC |
| 23 | | 7661190803 | 24 | HEX LOCK NUT M10 -8 ISO 7040 |
| 24 | | 7951150014 | 8 | F WASHER |
| 25 | | 7951190014 | 48 | F WASHER 10 |
| 27 | | A117992 | 4 | PIN 2 HOLE |
| 28 | | A118002 | 4 | COLLAR |
| 29 | | 84026091 | 2 | PIN 2 HOLE |
| 30 | | A165342 | 2 | PIN 1 HOLE W/HD |
| 31 | | 84020079 | 2 | PIN 2 HOLE 19.1 DIA X 241.2 LG |
| 32 | | 84023910 | 2 | PLATE 6X80X146.8 |
| 33 | | 84023912 | 2 | PLATE 6X80X80 |
| 34 | | 7126191353 | 8 | HHCS |

+ SEE FURTHER BREAKDOWN THIS GROUP

Manitowoc Cranes



81036541

(SHEET 1 OF 1)

Page 1088

Manitowoc Cranes

Description
INSERT ASSY 12M M #500

Assembly No.
810278080
Revision: E

| Item | FN | Part | Qty | Description |
|------|----|------------|-----|---|
| 1 | | 5620850 | 8 | PIN COTTER |
| 2 | | 5621720 | 2 | PIN COTTER |
| 3 | | 5636400 | 4 | SAFETY PIN |
| 4 | | 84024200 | 4 | SAFETY PIN |
| 5 | | 810249512 | 4 | PIN 1 HOLE W/HD |
| 6 | | 810249552 | 4 | LINK |
| 8 | | 810254722 | 4 | CLAMP CABLE |
| 9 | | 81027401 | 2 | STRAP 11.78M #500 |
| 11 | | 810277822 | 2 | PIN 2 HOLE |
| 12 | | 810277952 | 2 | TIMBER |
| 13 | | 81027809 | 1 | INSERT WELD, #500 12M BRACKET REF 0-2257 FOR LACINGS (DWG 81027810) |
| 14 | + | 810279002 | 1 | CATWALK ASSY #500 12 M INSERT |
| 15 | | 810294422 | 2 | BRACKET |
| 16 | | 810294472 | 4 | BRACKET |
| 17 | | 810294520 | 2 | BRACKET |
| 18 | | 7126151150 | 8 | CAP SCREW, M6X20 HEX HEAD |
| 19 | | 7126191850 | 24 | HHCS M10x55 -8.8 ISO 4014 |
| 21 | | 7661150803 | 8 | NUT NYLOC |
| 22 | | 7661190803 | 32 | HEX LOCK NUT M10 -8 ISO 7040 |
| 23 | | 7951150014 | 16 | F WASHER |
| 24 | | 7951190014 | 64 | F WASHER 10 |
| 25 | | A117992 | 4 | PIN 2 HOLE |
| 26 | | A118002 | 4 | COLLAR |
| 27 | | 84026091 | 2 | PIN 2 HOLE |
| 28 | | A165342 | 2 | PIN 1 HOLE W/HD |
| 29 | | 5620640 | 4 | PIN COTTER |
| 31 | | 84020079 | 2 | PIN 2 HOLE 19.1 DIA X 241.2 LG |
| 32 | | 84023910 | 2 | PLATE 6X80X146.8 |
| 33 | | 84023912 | 2 | PLATE 6X80X80 |
| 34 | | 7126191353 | 8 | HHCS |

+ SEE FURTHER BREAKDOWN THIS GROUP

Manitowoc Cranes

Notes

Manitowoc Cranes

Description

BOOM PT UPR FRAME ASSY 28MMSHE

Assembly No.

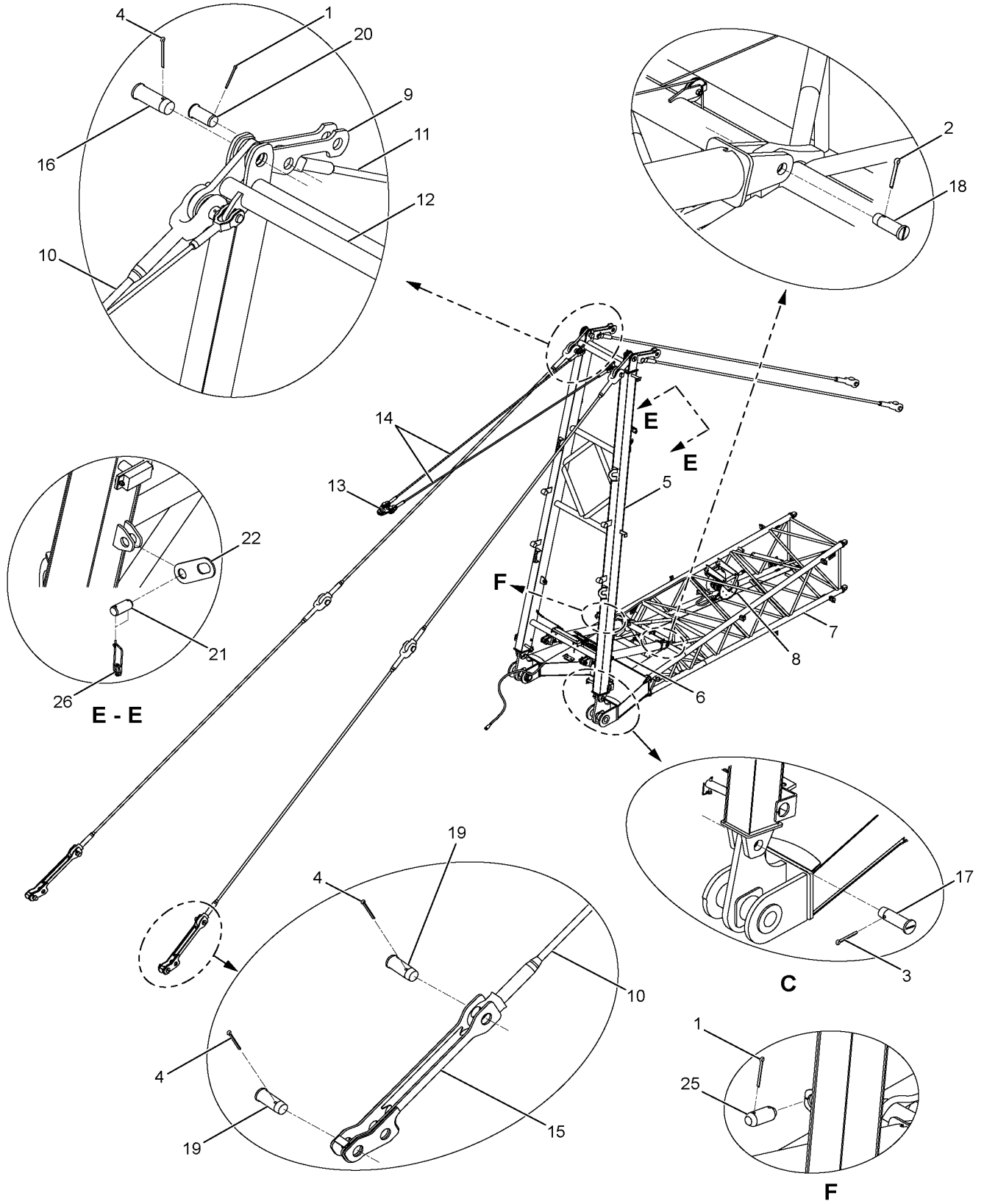
810297695

Revision: **G**

| Item | FN | Part | Qty | Description |
|------|----|------------|-----|---|
| 1 | | 1963992 | 1 | PIN |
| 2 | | 5621050 | 2 | PIN COTTER |
| 3 | | 5636400 | 8 | SAFETY PIN |
| 4 | | 5638230 | 2 | PIN SAFETY |
| 5 | | 7127271554 | 4 | SHCS M20x40 10.9 FLZN ISO 4762 |
| 6 | | 7951270220 | 4 | L WASHER |
| 7 | | 81029770 | 1 | BOOM UPPER POINT MACH REF 0-2274 FOR LACINGS (DWG 81029771) |
| 8 | | 81029772 | 1 | SPREADER MACHINING |
| 9 | | 810297740 | 1 | LOAD PIN 100.0 MM DIA X 100,00 |
| 10 | | 81029775 | 2 | PLATE KEEPER |
| 11 | | 81031296 | 4 | PIN 2 HOLE 2.25DIA X 3.89LG (IN) |
| 12 | + | 81034286 | 1 | ESI UPPER BOOM POINT |
| 13 | | 81041698 | 1 | TUBE 25.4 X 2.8 |
| 14 | | 810310992 | 1 | LINK |
| 15 | | A106702 | 1 | PIN 1 HOLE W/HD |
| 16 | | 5621710 | 1 | PIN COTTER |
| 17 | | 84024240 | 1 | PIN 1 HOLE 12.7 DIA X 96.2 LG |
| 18 | | 84024200 | 1 | SAFETY PIN |
| 19 | | 810327400 | 1 | ROLLER 50.8 X 101.6 X 101.0 NY |
| 20 | | 84036427 | 1 | SHAFT 50.8X504.5 |
| 21 | | 84036436 | 2 | RING 50.8 MM DIA |
| 22 | | 84036440 | 4 | ROLLER 101.6X94.0 NYLON |
| 300 | + | 81033846 | 1 | SHEAVE |

+ SEE FURTHER BREAKDOWN THIS GROUP

Manitowoc Cranes



Manitowoc Cranes

Description

STOP RIGGING SUBASSY

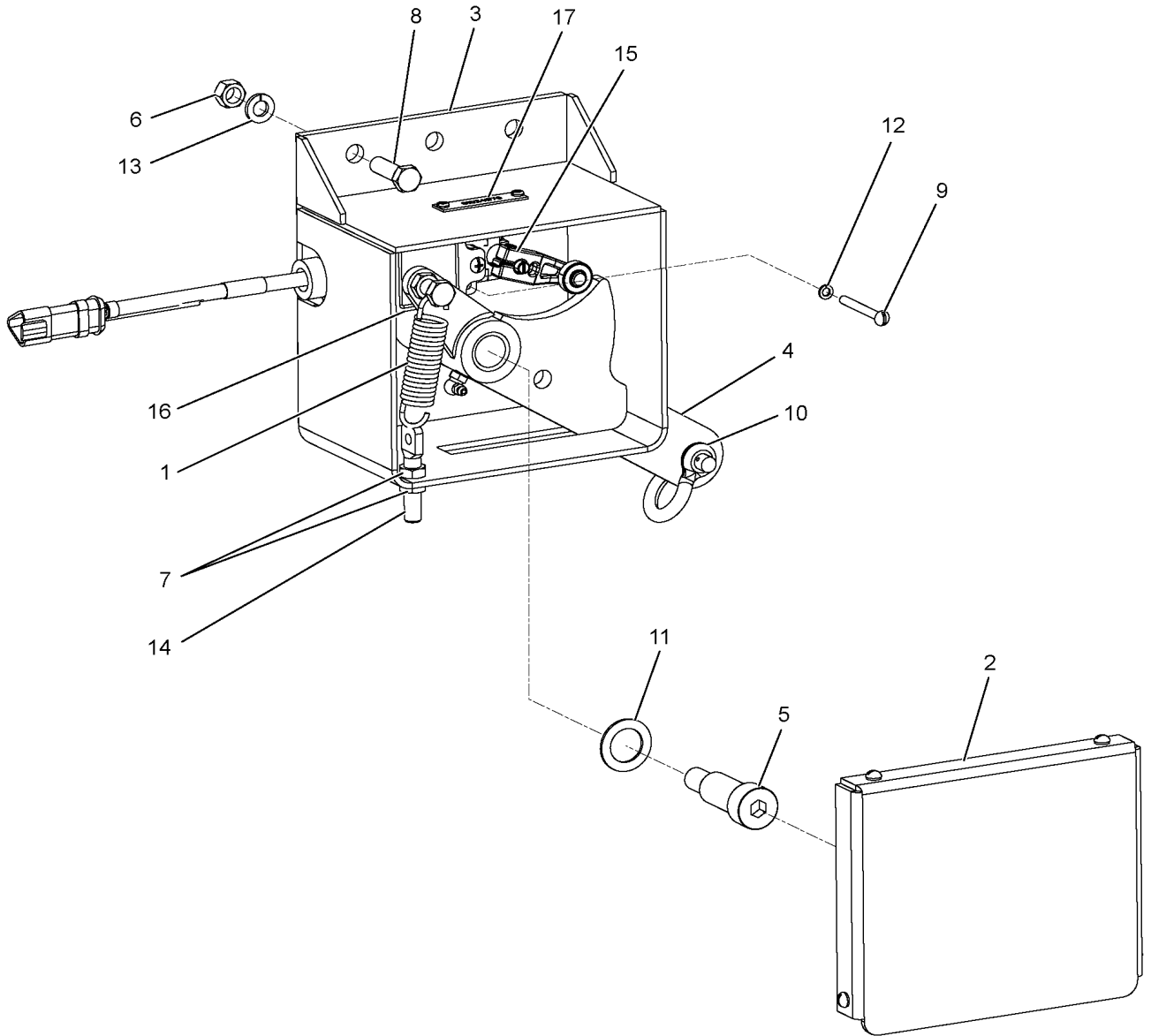
Assembly No.

84022405

Revision: **A**

| Item | FN | Part | Qty | Description |
|------|----|-----------------|-----|---------------|
| 1 | | 3492810 | 4 | CLIP |
| 2 | | 6246310 | 2 | SHACKLE |
| 3 | | 6827020 | 2 | THIMBLE |
| 4 | | 84022404 | 2 | WIRE ROPE 4.8 |

Manitowoc Cranes



Manitowoc Cranes

Description
HINGE SUPPORT ASSY

Assembly No.
81040796
 Revision: E

| Item | FN | Part | Qty | Description |
|------|----|-------------------|-----|--------------------------------|
| 1 | | 5638170 | 5 | PIN, HAIR COTTER |
| 2 | | 81040691 | 2 | PIN WITH HEAD 20.0 DIA X 167.5 |
| 3 | | 81040692 | 2 | BLOCK HINGE SUPPORT GUIDE |
| 4 | | 81040694 | 2 | PIN LIVE MAST SHIPPING |
| 5 | | 81040797 | 1 | HINGE SUPPORT WELDMENT |
| 6 | | 7126211354 | 4 | SHCS M12-1.75 X 30 GR 8.8 |
| 7 | | 7661210804 | 4 | HEX LOCK NUT |
| 8 | | 7951210014 | 4 | F WASHER 12 -ST ISO 7089 |
| 9 | | 810119902 | 1 | PIN 1 HOLE W/HD 15.77 DIA X 38 |
| 10 | | 81042530 | 3 | PLATE KEEPER |
| 11 | | 7126151153 | 6 | HHCS M6X20 SS ISO 4017 |
| 12 | | 7951150210 | 6 | LOCKWASHER, 6MM I.D. |
| 13 | | 84028293 | 2 | PIN WITH HEAD 15.9 DIA X 48.0 |
| 14 | | 80115092 | 2 | SHIM LIVE MAST STOWAGE |

Manitowoc Cranes

| Alphabetical Index | Appendix A | |
|--------------------------------|-------------------|----------|
| Description | Part | Page |
| BRACKET STRAP | 81034043 | 1157 |
| | 81036599 | 1083 |
| BRACKET TUBE GUARD | 84046615 | 139 |
| BRACKET VALVE COVER | 81042269 | 197 |
| | 81042288 | 197 |
| | 81042314 | 197 |
| | 81042320 | 510 |
| | 84045932 | 197 |
| | 84045946 | 197 |
| BRACKET VALVE GUARD | 84021696 | 220 |
| BRACKET VPC MAX QD | 81042106 | 347 |
| BRACKET VPC WARNING INDICATOR | 80124065 | 355 |
| BRACKET VPC-MAX LIMIT | 84046847 | 703 |
| BRACKET W/2-289797 BUSHING | 1768064 | 679 |
| BRACKET WEAR PLATE SCRAPER | 84030650 | 299 |
| BRACKET WELD CRAWLER LADDER | 810298562 | 931 |
| BRACKET WELD WINCH & LINK | 84035314 | 965 |
| BRACKET WELDMENT | 80109062 | 197 |
| | 84025178 | 745 |
| BRACKET WELDMENT DOOR BRAKE | 81030281 | 25 |
| BRACKET WELDMENT VPC-MAX WEAR | 810347682 | 271 |
| BRACKET WIPER RELAYS | 80114349 | 663 |
| BRACKET WIRE TIE STUD MOUNT | 80114988 | 658 |
| BRACKET ZINC RICH | 810315990 | 999 |
| BRACKET, DAMPER MOUNT | A074362 | 14 |
| BRACKET, DOOR BRAKE MOUNTING | 84030667 | 25 |
| BRACKET, FIRE EXT/WIRING | A028092 | 31 |
| BRACKET, FLOOR MAT EDGE TRIM | A029892 | 41 |
| BRACKET, FRONT LOCKER WALL | A028172 | 29 |
| BRACKET, RECEIVER DRIER | A002660 | 803 |
| BRACKET, SHELVING COMPARTMENT | A028152 | 29 |
| BRACKET, WINDOW HINGE BACKING | A030582 | 19 |
| BRACKET, WINDOW LATCH | A030572 | 19 |
| BRACKET, WIPER MOTOR BACKING P | A030802 | 21 |
| BRACKET/MOUNT, AIR SENSOR | 90014037 | 39 |
| BRAKE ASSY CAB DOOR BRAKE | 810302802 | 14 |
| BREAKER CIRCUIT | 2752290 | 723 |
| | 2752330 | 717 |
| BREAKER CIRCUIT 120 AMP | 275324 | 673 |
| BREATHER 0.5 NPT | 81026213 | 674, 841 |
| BREATHER DESICCANT 20 CFM | 80127462 | 238 |
| BREATHER REPLACEMENT FILTER | 80127999 | 238 |

From - BRACKET STRAP

To - BREATHER REPLACEMENT FILTER

Manitowoc Cranes

| Alphabetical Index | Appendix A | |
|--------------------------------|-------------------------------|--|
| Description | Part | Page |
| DECAL-NO STEP | 810113150 | 91 |
| DECAL-OPERATORS MANUAL WARNING | 1768822 | 91 |
| DECAL-PERSONNEL TIE DOWN POINT | 81017794 | 91, 92, 99, 987, 997, 1003, 1005, 1011, 1017 |
| DECAL-TIE DOWN POINT | 81007342 | 91, 99, 211, 987, 997, 1003, 1005, 1011, 1017 |
| DECAL-WARNING-CRUSH HAZARD | 176856 | 91 |
| DIODE | 3631050 A029470 | 65 73 |
| DIODE ZENER 14V 0.5W | 84022261 | 65 |
| DISK, BRONZE | 9490220117 | 372, 479 |
| DISK, STEEL | 9490220115 | 372, 479 |
| DISPLAY CCS COLOR | 84054782 | 57 |
| DISPLAY CONTROLLER | 90039821 | 847 |
| DISPLAY DRUM ID | 80050811 | 47, 57 |
| DISPLAY LED 7 INCH | 84020654 | 653 |
| DOOR ASSY CAB | 81021878 | 13 |
| DOOR BACK SERV WA | 90040788 | 848 |
| DOOR, ACCESS HATCH | 810167612 | 668 |
| DOOR, CAB | 810231772 | 17 |
| DOWEL | 810263012 | 267 |
| DRIER W/MOISTURE INDICATOR | A002650 | 803 |
| DRIVE GEAR TUMBLER MACHINING | 810240890 | 909 |
| DRIVEN DISC ASSEMBLY | 9316220030 | 767 |
| DRUM | 810240102 810277052 | 443 407 |
| DRUM MACHINING | 81024020 | 475 |
| DRUM MACHINING MACHINING 28MM | 81025062 | 369 |
| DRUM, WINCH | 90024344 | 972 |
| DRYER | 90040396 | 847 |
| DUCK BILL | 9515220025 | 39 |
| DUCT AIR | A024832 A024842 A024852 | 29 29 29 |
| DUCT, HOSE (3") | 9515220026 | 37, 39 |
| DUST CAP 3 POLE | 810243920 | 1047 |
| DUST PLUG ASSY NO. 10 | 81041436 | 831 |
| DUST PLUG ASSY NO. 6 | 81041437 | 831 |
| DUST PLUG QD 12 | 81039797 | 733, 833 |
| ELBOW EXHAUST | 810268770 81040174 | 769 769 |
| ELBOW PIPE 90 DEG | 4069770 | 793 |

From - DECAL-NO STEP

To - ELBOW PIPE 90 DEG

Manitowoc Cranes

| Alphabetical Index | Appendix A | |
|-------------------------------|------------|--|
| Description | Part | Page |
| HHCS M16x35 -8.8 ISO 4017 | 7126241453 | 269, 1177 |
| HHCS M16X40 10.9 | 7127241553 | 1139 |
| HHCS M16x60 -8.8 ISO 4017 | 7126241953 | 1123 |
| HHCS M20x110 -8.8 ISO 4017 | 7126272753 | 857 |
| HHCS M20x25 8.8 ISO 4017 | 7126271253 | 263 |
| HHCS M20X40 | 7127271550 | 1157 |
| HHCS M20X45 -8.8 ISO 4017 | 7126271653 | 213, 1177 |
| HHCS M20X50 8.8 FLZN ISO 4017 | 7126271753 | 443 |
| HHCS M20x90 -10.9 ISO 4014 | 7127272550 | 151 |
| HHCS M4x14 -8.8 ISO 4017 | 7126110953 | 77, 355 |
| HHCS M4X16 8.8 ISO 4017 | 7126111053 | 693 |
| HHCS M4x25 -8.8 ISO 4017 | 7126111253 | 63, 657 |
| HHCS M5x12 -8.8 ISO 4017 | 7126130853 | 663 |
| HHCS M5x20 -8.8 ISO 4017 | 7126131153 | 227, 645, 647, 693, 703, 959, 1035 |
| HHCS M5x30 -8.8 ISO 4017 | 7126131353 | 331, 837 |
| HHCS M6x10 -8.8 ISO 4017 | 7126150753 | 711 |
| HHCS M6X20 SS ISO 4017 | 7126151153 | 151, 213, 291, 667, 713, 723, 785, 787, 789, 817, 819, 821, 841, 941, 1179 |
| HHCS M6X25 8.8 FLZN 4017 | 7126151253 | 713, 771, 837, 965, 1045 |
| HHCS M6x35 -8.8 ISO 4017 | 7126151453 | 77, 523, 571 |
| HHCS M6x50 -8.8 ISO 4014 | 7126151750 | 1143 |
| HHCS M6x65 -8.8 ISO 4017 | 7126152053 | 291, 667, 861, 1035 |
| HHCS M6x75 -8.8 ISO 4017 | 7126152253 | 581 |
| HHCS M8x100 -8.8 ISO 4014 | 7126172650 | 799 |
| HHCS M8x110 -8.8 ISO 4014 | 7126172750 | 310 |
| HHCS M8x12 -8.8 ISO 4017 | 7126170853 | 511, 657, 661 |
| HHCS M8x14 -8.8 ISO 4017 | 7126170953 | 599 |
| HHCS M8X16 SS ISO 4017 | 7126171053 | 69, 121, 151, 347, 387, 461, 485, 582, 689, 693, 711, 781, 917 |
| HHCS M8X20 8.8 ISO 4017 | 7126171153 | 43, 152, 163, 299, 414, 486, 745, 769, 771 |
| HHCS M8X25 8.8 ISO 4017 | 7126171253 | 5, 164, 179, 197, 413, 463, 464, 643, 865, 897 |
| HHCS M8X30 8.8 ISO 4017 | 7126171353 | 167, 171, 175, 179, 197, 299, 837, 937 |
| HHCS M8x35 -8.8 ISO 4017 | 7126171453 | 167, 501, 571 |
| HHCS M8x45 -8.8 ISO 4017 | 7126171653 | 599, 643 |
| HHCS M8x55 -8.8 ISO 4017 | 7126171853 | 347 |
| HHCS M8X60 SS ISO 4017 | 7126171953 | 799 |

From - HHCS M16x35 -8.8 ISO 4017

To - HHCS M8X60 SS ISO 4017

Manitowoc Cranes

| Alphabetical Index | Appendix A | |
|-------------------------------|------------|---------------|
| Description | Part | Page |
| MANIFOLD | 81039289 | 542 |
| MANIFOLD BLOCK | 810391712 | 541 |
| | 81040677 | 963 |
| | 84025010 | 581 |
| MANIFOLD BLOCK 1 BANK D05 | 81040103 | 603 |
| MANIFOLD BLOCK 2 BANK D05 | 81026821 | 323, 525 |
| MANIFOLD BLOCK 20 CODE 62 MNT | 81042477 | 627 |
| MANIFOLD BLOCK 5 BANK D07 | 81025571 | 523 |
| MANIFOLD BLOCK HEADER | 81038720 | 549 |
| | 84020112 | 541 |
| MANIFOLD BLOCK PAWL | 84034639 | 464 |
| MANIFOLD BLOCK RETURN ASSY | 84020120 | 943 |
| MANIFOLD, VALVE | 90024326 | 971 |
| MAST LIVE BRKT WELD | 81028887 | 219 |
| MAST SUPPORT | 810281612 | 219 |
| MAT FLOOR | A032080 | 41 |
| MAT FLOOR ASSY CAB | 810223752 | 7 |
| MAT FLOOR CAB | 80117637 | 41 |
| MAXI FUSE HOLDER | 7482100009 | 674 |
| MIRROR | A197750 | 14 |
| MOD TO 81033537 WRF2 HARNESS | 80119011 | 121 |
| MOD TO 84046048 WLL1 | 80119010 | 937 |
| MOD WIRING HARNESS | 84054803 | 5 |
| MOLDING EDGE TRIM PVC | 810173130 | 48, 59 |
| MONITOR, LED | 810243990 | 653 |
| MOTOR HYD PISTON | A056890 | 127 |
| MOTOR, HYDRAULIC | 90024322 | 971 |
| MOUNT | 5366480 | 21 |
| | 810137520 | 653, 668 |
| | 810209530 | 57 |
| | 81037620 | 163, 201, 203 |
| MOUNT CABLE TIE | 5367770 | 75 |
| MOUNT ISOLATOR | 5367750 | 745 |
| MOUNT MONITOR CCTV 7 INCH | 810065650 | 653 |
| MOUNT MOTOR | 810269952 | 745 |
| MOUNT TRACK DOOR FRONT | A02147 | 13 |
| MOUNT TRACK DOOR REAR | A029690 | 13 |
| MOUNT VIBRATION ISOLATOR | A117070 | 782 |
| MTW BLACK AEROSOL | 8878707461 | 1099 |
| MTW RED AEROSOL | 8878707460 | 1099 |
| MUFFLER | 90040759 | 847 |

From - MANIFOLD

To - MUFFLER

Manitowoc Cranes

| Alphabetical Index | Appendix A | |
|--------------------------------|----------------|--------------------|
| Description | Part | Page |
| PLATE WELD GRP 1 DIN3015-1 | 84018923 | 628 |
| PLATE WELD GRP 3 DIN3015-1 | 81038532 | 461, 609 |
| PLATE, KEEPER | 1765302 | 451 |
| | 1765312 | 393, 451 |
| PLATE, ORFICE | 9372220148 | 215 |
| PLATE, STRIKER | A026210 | 13 |
| PLATFORM | 810286332 | 152 |
| | 810296732 | 219 |
| | 810302572 | 901 |
| | 81040492 | 167 |
| | 81041331 | 164 |
| | 810269922 | 363 |
| PLATFORM ASSY | 810292552 | 363 |
| | 810298032 | 163 |
| | 81041286 | 163 |
| | 810296433 | 152 |
| PLATFORM ASSY 2327 X 540 CAB S | 810296433 | 152 |
| PLATFORM ASSY ROT BED | 81042928 | 197 |
| | 81042929 | 197 |
| PLATFORM ASSY ROT BED INSIDE | 81042241 | 164 |
| PLATFORM ASSY ROT BED REAR | 81040151 | 163 |
| PLATFORM ASSY ROTATING BED | 84046402 | 163 |
| | 84046403 | 163 |
| PLATFORM CAB RIGHT SIDE | 81038511 | 152 |
| PLATFORM CARBODY | 81026991 | 849 |
| PLATFORM CARBODY WELDMENT | 810302282 | 367 |
| PLATFORM ROT BED REAR LEFT | 81039622 | 193 |
| PLATFORM WELDMENT CAB SIDE | 81028709 | 155 |
| PLATFORM WELDMENT CARBODY | 81030137 | 365 |
| | 84039320 | 901 |
| PLATFORM WELDMENT ROT BED | 81042621 | 201 |
| | 81042622 | 203 |
| | 84045934 | 175 |
| | 84045938 | 171 |
| | 81041287 | 179 |
| PLATFORM WELDMENT ROT BED REAR | 81041287 | 179 |
| PLUG | 5723500 | 65 |
| | 810249210 | 127, 407, 443, 745 |
| | 810249220 | 725 |
| | 810249250 | 747, 782 |
| | 810249260 | 237, 369, 475 |
| | 9372220314 | 215 |
| | 9490220440 | 371, 372, 479 |
| | 9632220005 | 129, 133 |
| | 9632220208 | 129, 133 |
| | 9722220095 | 129, 133 |
| | 9722220239 | 129, 133 |
| | 9372220265 | 215 |
| | 810122940 | 581 |
| | PLUG (1/8"NPT) | 9372220265 |
| PLUG (SAE -12) | 810122940 | 581 |

From - PLATE WELD GRP 1 DIN3015-1

To - PLUG (SAE -12)

Manitowoc Cranes

| Alphabetical Index | Appendix A | |
|-----------------------------------|---|---|
| Description | Part | Page |
| SPRING | 0701262 6524940 810256580 810294652 84030733 A145760 | 393, 451 73 957 213 25 809 |
| SPRING 2.50 OD X 0.25 WIRE | 84032308 | 1145 |
| SPRING RETAINING FILTER | 810291580 | 237 |
| SPRING, COMPRESSION | 90024336 | 972 |
| SPRING, DOOR HANDLE | A027010 | 17 |
| SQ BOLT | 2491980 | 795 |
| SQ NUT | 810223090 | 220, 339, 667, 771, 782, 805, 811, 861, 938 |
| SREW SET, 6.0 DIA X 8 LG | 84021332 | 238 |
| STACK & SEAL KIT | 90040062 90040064 | 479 371 |
| STANDOFF | A126600 | 67 |
| STEP WELDMENT | 84027349 | 857 |
| STOP ASSY #148 JIB | 81033463 | 1141 |
| STOP ASSY #500 | 80110581 | 943 |
| STOP RIGGING #148 JIB | 81035649 | 1141 |
| STOP RIGGING SUBASSY | 84022405 | 1151 |
| STOP SUBWELD INNER TUBE | 80107164 | 957 |
| STOP SUBWELDMENT | 84021171 | 1145 |
| STOP SUBWELDMENT 1 | 81036154 | 1145 |
| STOP SUBWELDMENT 2 | 81036159 | 1145 |
| STOP WELDMENT 3 | 81041259 | 1145 |
| STRAP | 6670050 6670060 6670070 6670080 810288292 | 711 75, 227, 289, 357, 829, 833, 959, 1129 21, 355, 653, 709, 959, 1033, 1057, 1129, 1149, 1163 959, 1033, 1163 219 |
| STRAP 0.68M #500 | 81032002 | 1107 |
| STRAP 1.69 M #500 | 81036553 | 1083 |
| STRAP 10.22M #500 | 81032003 | 1107 |
| STRAP 11.78M #500 | 81027401 | 989, 1091, 1101, 1117 |
| STRAP 5.78M #500 | 81029621 | 1075 |
| STRAP 7.69M #500 | 81027399 | 1029 |
| STRAP 8.07 M #500 | 81036552 | 1083 |
| STRAP ASSY | 81042537 | 219 |
| STRAP LIVE MAST 1.0 M | 81042538 | 223 |
| STRAP NECK SETUP REMOTE | 810305880 | 685 |

From - SPRING

To - STRAP NECK SETUP REMOTE

Manitowoc Cranes

| Numeric Index | | Appendix B |
|---------------|--------------------------------|------------|
| Part | Description | Page |
| 1700812 | WASHER | 393, 451 |
| 1703732 | BUSHING | 907 |
| 1703889 | BOLT FRONT IDLER | 907 |
| 1704694 | ROLLER | 907 |
| 1704782 | F WASHER SHIM | 451 |
| 1706412 | F WASHER SHIM | 745 |
| 1706622 | SHAFT | 1065, 1071 |
| 1715852 | SHIM | 1063, 1069 |
| 1715862 | SHIM | 1063, 1069 |
| 1715872 | NUT | 1065, 1071 |
| 1718779 | SHIM | 393 |
| 1730182 | BRACKET | 1151 |
| 1730192 | GUARD | 1151 |
| 1737572 | SHEAVE, 30 IN DIA | 1137, 1175 |
| 1748442 | CLAMP | 1157 |
| 1765302 | PLATE, KEEPER | 451 |
| 1765312 | PLATE, KEEPER | 393, 451 |
| 1765672 | PLATE FLOOR | 217 |
| 1766909 | PIN | 943, 957 |
| 1768064 | BRACKET W/2-289797 BUSHING | 679 |
| 1768092 | WASHER, SPRING | 679 |
| 1768102 | ROD, ACTUATOR | 679 |
| 1768352 | DECAL FLAG | 91 |
| 176856 | DECAL-WARNING-CRUSH HAZARD | 91 |
| 1768822 | DECAL-OPERATORS MANUAL WARNING | 91 |
| 1769272 | DECAL (EN) BUILT TO ASME B30.5 | 91 |
| 1770022 | COVER | 237 |
| 1770032 | COVER, GASKET | 237 |
| 1770752 | BRACKET | 1039, 1167 |
| 1770762 | BRACKET | 1131 |
| 1770772 | LEVER | 1041, 1169 |
| 1770784 | LEVER | 1039, 1167 |
| 177080001 | LEVER | 1133 |
| 1770804 | LEVER ASSY | 1131 |
| 1773692 | ADAPTOR | 475 |
| 1773982 | COVER | 475 |
| 1774012 | GASKET | 475 |
| 1798632 | PIN 1 HOLE W/HD | 1157 |
| 1799592 | PIN 2 HOLE | 443 |

From - 1700812

To - 1799592

CLICK HERE TO **DOWNLOAD** THE COMPLETE MANUAL

- Thank you very much for reading the preview of the manual.
- You can download the complete manual from: www.heydownloads.com by clicking the link below



- Please note: If there is no response to CLICKING the link, please download this PDF first and then click on it.

CLICK HERE TO **DOWNLOAD** THE COMPLETE MANUAL