

Manitowoc Cranes MACHINE COMPONENT INDEX

Date: September 11, 2019

Rev:

<u>Model Number</u> MLC300		<u>Serial Number</u> 3001076	
Item	Part	Description	Page
		ROTATING STRUCTURE	
1	81021912	CAB ASSY 24V CCS	3
	81022373	SEAT ASSY CAB	5
	810116140	SEAT	7
	810243544	CAB ASSY	9
	810218742	EXTERIOR EQUIP CAB ASSY	15
	81021878	DOOR ASSY CAB	19
	81021879	WINDOW ASSY CAB	21
	810219011	WINDSHIELD WIPER ASSY CAB	23
	A027140	ROLLER ASSY CAB DOOR FRONT TRO	25
	810302802	BRAKE ASSY CAB DOOR BRAKE	27
	A037000	ROLLER ASSY	29
	810218752	INTERIOR EQUIP CAB AIR DUCTS	31
	81021876	INTERIOR EQUIP CAB ASSY	33
	810218772	INSULATION ASSY CAB	35
	810223722	HVAC ASSY CAB	37
	81040835	HVAC KIT CAB INSIDE PARTS	39
	90040442	PEDESTAL UNIT	41
	810223752	MAT FLOOR ASSY CAB	43
	81024521	CONSOLE CONTROL ASSY CAB	45
	81019747	CONSOLE LEFT HAND ASSY	49
	A024680	CONTROLLER, JOYSTICK	51
	80123310	LIGHT ASSY CONSOLE BACKLIGHT	53
	81037044	CONSOLE RIGHT HAND ASSY	57
	84054782	DISPLAY CCS COLOR	61
	810240861	ESI CONSOLE RIGHT HAND	63
	A032981	ACCESSORY RADIO ASSY	65
	81036291	ESI R CONSOLE RECPT	67
	81039868	ESI CAN RECEPTACLE MOUNT	69
	80123310	LIGHT ASSY CONSOLE BACKLIGHT	71
	A02019	FOOT PEDAL ASSY THROTTLE CONTR	73
	81025906	ESI CAB INTERIOR WIRING	75
1	80116194	VPC ROT BED WELD/MACHINE	77
	80115554	ROTATING BED VPC COMPONENTS	79

CLICK HERE TO **DOWNLOAD** THE COMPLETE MANUAL

- Thank you very much for reading the preview of the manual.
- You can download the complete manual from: www.heydownloads.com by clicking the link below



- Please note: If there is no response to CLICKING the link, please download this PDF first and then click on it.

CLICK HERE TO **DOWNLOAD** THE COMPLETE MANUAL

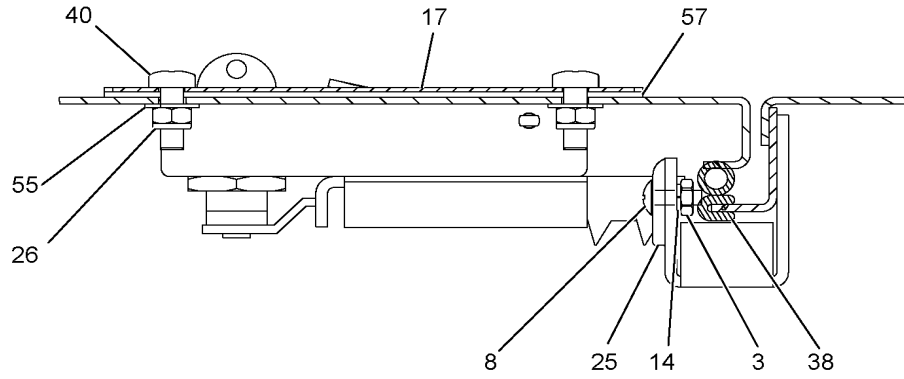
Manitowoc Cranes MACHINE COMPONENT INDEX

Date: September 11, 2019

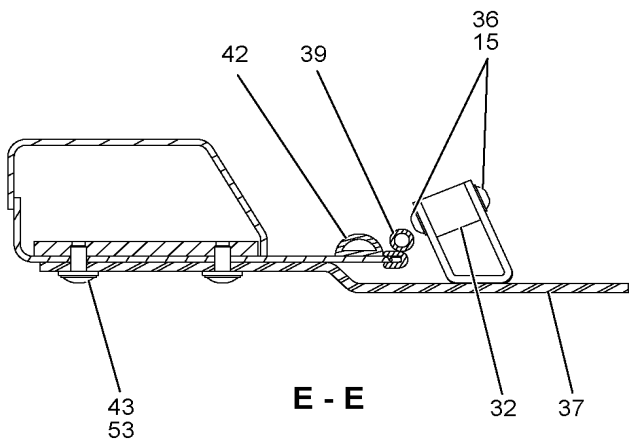
Rev:

<u>Model Number</u> MLC300		<u>Serial Number</u> 3001076	
Item	Part	Description	Page
8	81023383	LUFFING JIB RIGGING LJ10:501 O	NO DWG
9	81023384	LUFFING JIB RIGGING LJ10:501	NO DWG
10	810319810	BLOCK 170 M TON HOOK 28MM WR 5	NO DWG
10	81038141	REEVING DIAGRM #500 TOP 1 DRUM	NO DWG
11	81038142	REEVING DIAGRM #500 TOP 2 DRUM	NO DWG
12	80112861	DECAL KIT MLC300 BOOM INSERT	1045
12	84050216	BOOM RIGGING B65:505-500	NO DWG
13	810278030	INSERT ASSY 12M HEAVY #500	1047
	810296271	GUIDE ASSY	1049
	810300071	CATWALK ASSY #500 12M HEAVY	1051
	810338541	ESI 12M INSERT	1053
13	80112862	DECAL KIT MLC300 BOOM INS W/EQ	1055
13	84050217	LUFFING JIB RIGGING LJ ON B65	NO DWG
14	81030008	INSERT LUFF JIB PREP 12M HEAVY	1057
	A120120	SHEAVE ASSY RIG WINCH ZINC RIC	1059
14	80112861	DECAL KIT MLC300 BOOM INSERT	1061
15	810319814	CHEEK WEIGHT KIT	1063
15	80112861	DECAL KIT MLC300 BOOM INSERT	1065
16	81027946	GUIDE ASSY DRUM 6 UPPER	1067
	810258190	SHEAVE ASSY	1069
16	81040830	WEDGE & SOCKET ASSY 26 MM	1071
	A152810	SOCKET/WEDGE, 1-1/4" (32 MM)	1073
16	80112861	DECAL KIT MLC300 BOOM INSERT	1075
17	81027949	GUIDE ASSY DRUM 6 LOWER	1077
	810258190	SHEAVE ASSY	1079
18	81029022	GUIDE ASSY DRUM 2,3 LOWER	1081
	810258190	SHEAVE ASSY	1083
19	81029628	GUIDE ASSY DRUM 2,3 UPPER	1085
	810258190	SHEAVE ASSY	1087
22	810277190	TOP ASSY #500 10M	1089
	81025353	ESI BOOM TOP WIRING	1093
	81025948	ESI BOOM TOP	1095
	84019148	A2B DEVICE MOD TWO SPRINGS	1097
	810245702	A2B DEVICE	1099

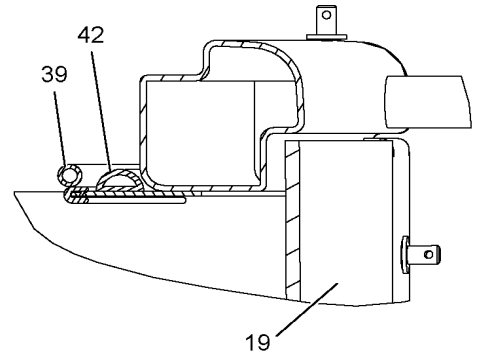
Manitowoc Cranes



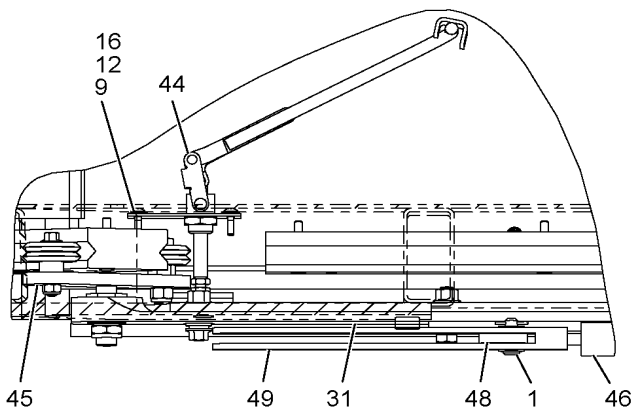
D - D



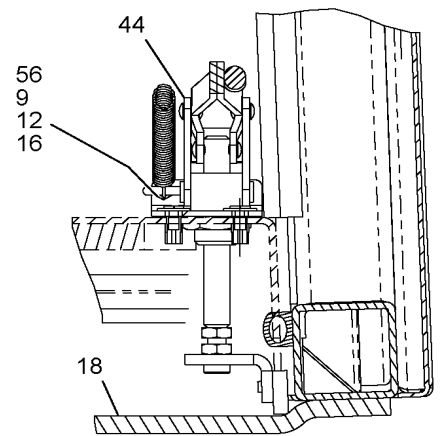
E - E



K - K

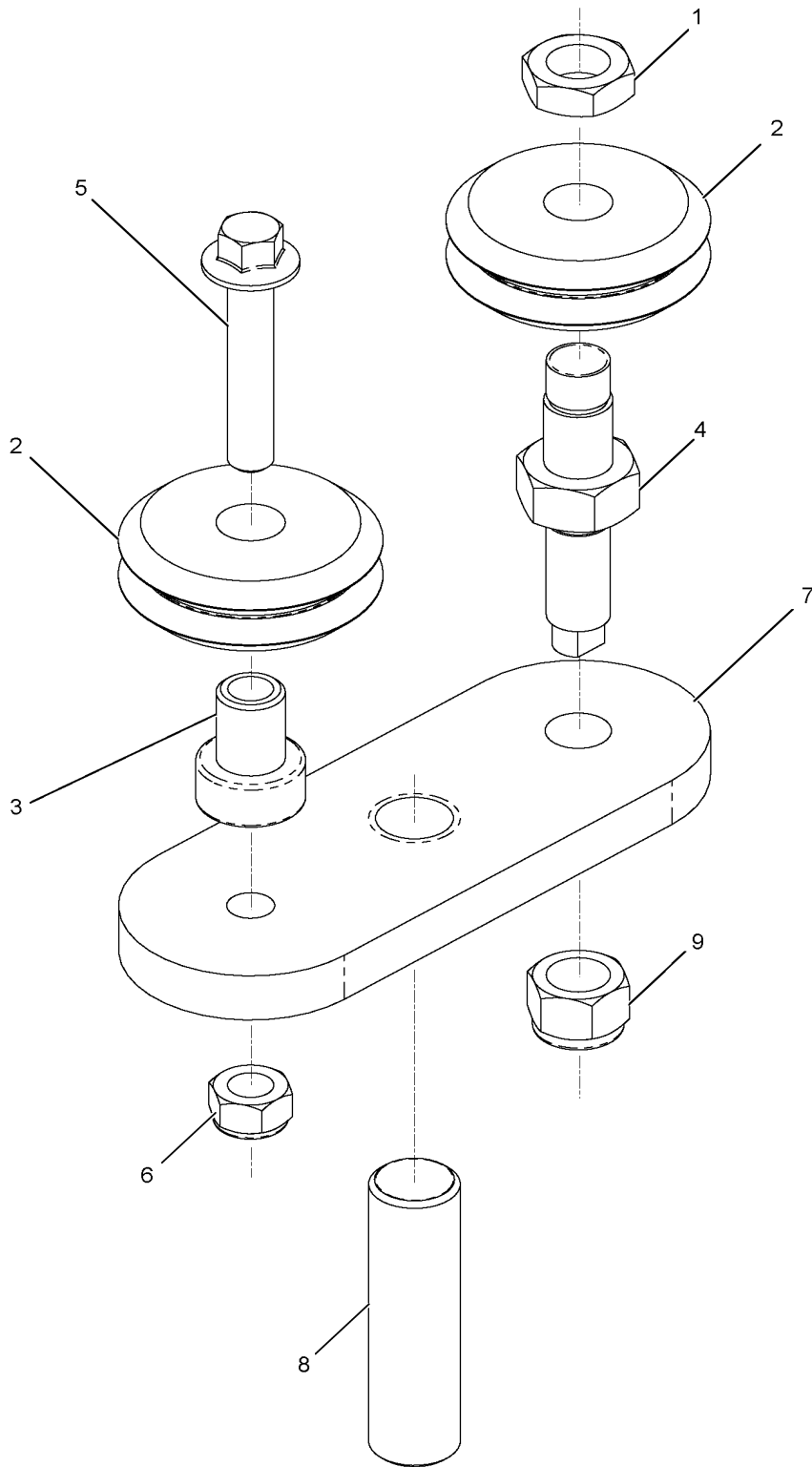


C



L - L

Manitowoc Cranes



Manitowoc Cranes

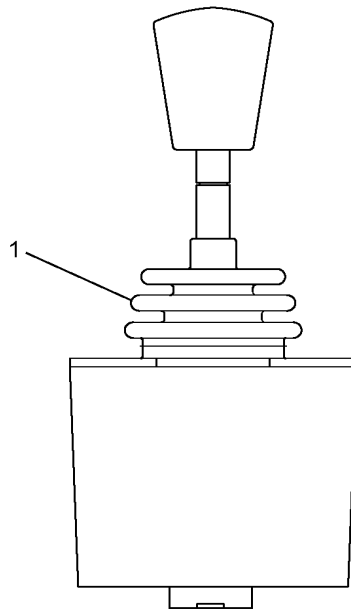
Description
HVAC ASSY CAB

Assembly No.
810223722
Revision:

Item	FN	Part	Qty	Description
1		3453400	6	CLAMP
2		5460750	4	HEX NUT
3		6184170	4	PHIL TMS 8-32UNC X 0.50 GR 1
4		6206050	16	SCREW, PAN
5	+	81040835	1	HVAC KIT CAB INSIDE PARTS
6		7661190003	4	NUT, HEX 10MM
7		7951190220	4	L WASHER 10
8		A026392	1	BRACKET
9		A027330	4	INSERT, THREADED
10		A030320	6	SCREW TC PAN HEAD PHILLIPS
11		4858450	2	HOSE PER FOOT, PLASTIC 1/2ID
12		3454760	2	CLAMP WORM DRIVE, 0.44 - 1.00

+ SEE FURTHER BREAKDOWN THIS GROUP

Manitowoc Cranes



Manitowoc Cranes

Description

ESI CONSOLE RIGHT HAND

Assembly No.

810240861

Revision: E

Item	FN	Part	Qty	Description
1		4930550	1	INSULATOR
2		6123530	4	SCREW, HEX HEAD
3		6123670	8	HHCS
4		6926560	1	TRIM
5		7094200	4	WASHER, FLAT
6		7103020	8	WASHER, LOCK
7		7113400	2	WASHER
8		80069036	1	CONTROLLER IOS
9		80069038	1	CONTROLLER SCM
10		810247370	1	PANEL ELEC
11		7126111253	2	HHCS M4x25 -8.8 ISO 4017
12		7661110003	2	HEX NUT M4-8 ISO 4032
13		7951110210	2	LOCKWASHER, 4MM I.D.
14		A008029	1	TERMINAL
15		A118130	1	POWER SUPPLY
16		A183320	4	WASHER, LOCK COUNTERSUNK

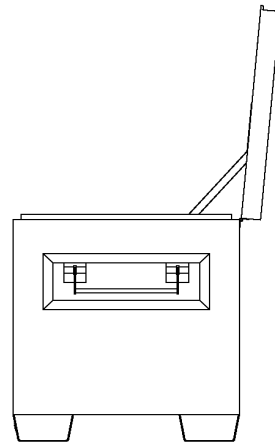
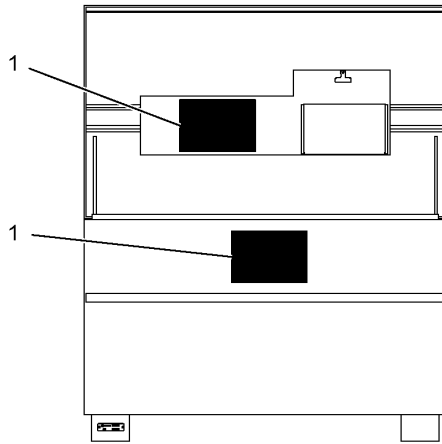
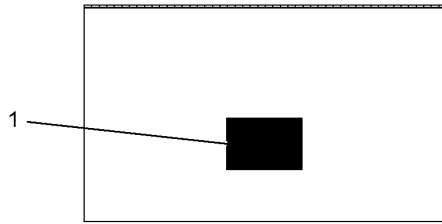
Manitowoc Cranes

Notes

Manitowoc Cranes

Description DECAL ASSY ROT BED/CARBODY				Assembly No. 80106691 Revision: B
Item	FN	Part	Qty	Description
1		95494	4	DECAL STAY CLEAR
2		95496	2	DECAL DANGER ELETROCUTION HAZA
3		810336130	1	DECAL SWING DRIVE OIL LEVEL
4		810299430	1	DECAL RADIUS
5		A180770	1	DECAL (EN) CAUTION HYD. TANK F
7		A058390	2	DECAL WARNING ROTATING FAN BLA
8		810299750	1	DECAL WARNING COOLANT BURN HAZ
9		A081670	1	DECAL (EN) WARNING BURN HAZARD
10		84028466	2	DECAL WARNING FALL HAZARD
11		81033732A	1	DECAL (EN) WARNING SETUP REMOT
12		A114490	1	DECAL CAUTION BATTERY DISCONN
13		81040192A	1	DECAL HYD TANK SHUT-OFF
14		81017794	1	DECAL-PERSONNEL TIE DOWN POINT
15		81042869	1	DECAL FUEL TANK LEVEL
16		84025286	1	DECAL HYD FLUID LEVEL
17		810299740	1	DECAL COOLANT LEVEL FULL (LAND
22		81007342	8	DECAL-TIE DOWN POINT
26		84020138	1	DECAL INDICATOR DOT
27		176856	4	DECAL-WARNING-CRUSH HAZARD
33		95496	2	DECAL DANGER ELETROCUTION HAZA
34		810113150	1	DECAL-NO STEP
35		81042156A	1	DECAL EXIT LIFE HAMMER
36		1478482	1	DECAL (EN) PATENT
37		1768352	1	DECAL FLAG
38		1768822	1	DECAL-OPERATORS MANUAL WARNING
39		1769272	1	DECAL (EN) BUILT TO ASME B30.5
41		184679	1	DECAL-HAND SIGNALS
42		1970252	1	DECAL CAUTION-WELDING
43		810299490	1	DECAL DRUM ID
44		81041896A	1	DECAL TRANSCEIVER STORAGE
45		A073880	1	DECAL WARNING PINCH POINT
46		810015300	1	DECAL WARNING READ MANUAL
47		810182050	1	DECAL (EN) 29CFR 1926.1423
48		81007557	1	DECAL - WARNING CALIFORNIA PROP 65
49		80102744	1	PLATE CRANE ID MFG IN SG
50		NPN	1	NO PART NUMBERS FOR SERVICE EMISSION TAG SUPPLIED BY ENGINE MANUFACTURER
51		81042893	1	DECAL SHPNG ROT BED
55		81007342	10	DECAL-TIE DOWN POINT

Manitowoc Cranes



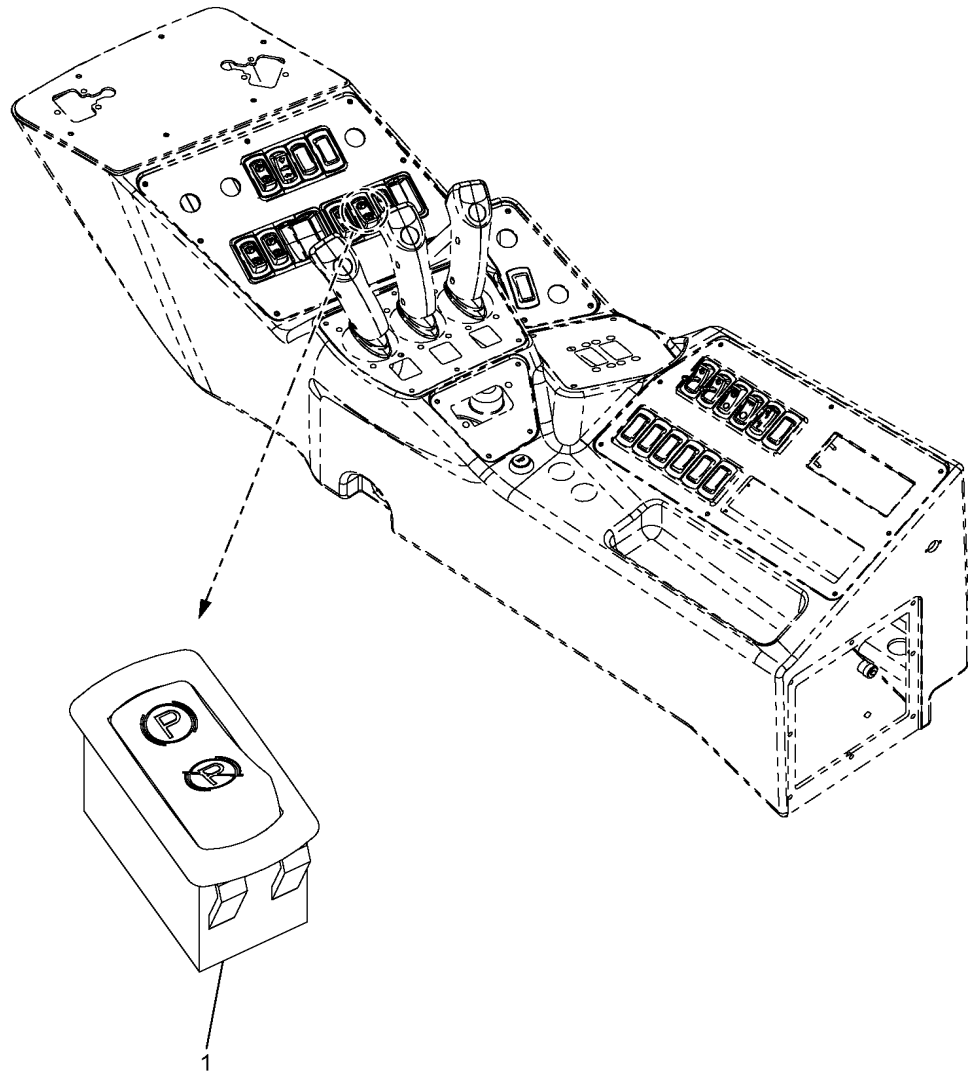
Manitowoc Cranes

Description
SWITCH DRUM 2 CAB

Assembly No.
81025807
Revision: **B**

Item	FN	Part	Qty	Description
1		7872100190	1	SWITCH, PARK BRAKE

Manitowoc Cranes



Manitowoc Cranes

Description
ROTATING BED HYDRAZORB INSTALL

Assembly No.
81028816
Revision: M

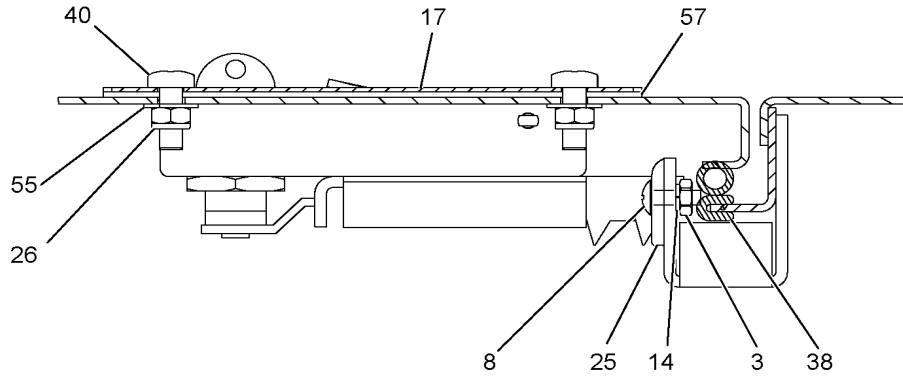
Item	FN	Part	Qty	Description
1		810250150	3	CHANNEL ANCHOR CLAMP
2		810250160	4	CHANNEL ANCHOR CLAMP
3		810250170	11	CHANNEL ANCHOR CLAMP
4		810269870	5	CHANNEL
7		7661210804	8	HEX LOCK NUT
8		7951210014	16	F WASHER 12 -ST ISO 7089
9		810250210	1	CHANNEL ANCHOR CLAMP
11		810269530	2	CHANNEL
12		84045998	1	BAR 50.8X1320.8 NYL
13		7126211454	4	CAP SCREW, M12X35 SOCKET HEAD
14		81026958	1	CHANL ANCHR CLMP 25.4DP 812.8
15		81042808	2	WING NUT M12-1.75 DIN315 18-8
16		810288410	8	SBCS
17		7126171055	42	SFHCS M8X16 A2-70 ISO 10642
18		84046231	42	WASHER COUNTERSUNK M8X25
19		84046615	1	BRACKET TUBE GUARD
20		7661190803	2	HEX LOCK NUT M10 -8 ISO 7040
21		7126171155	2	SCREW, SOCKET FLAT
22		80109179	1	BRACKET CHARGE MANIFOLD
23		81040636	2	SHCS M12 X 1.75 40 10.9

Manitowoc Cranes

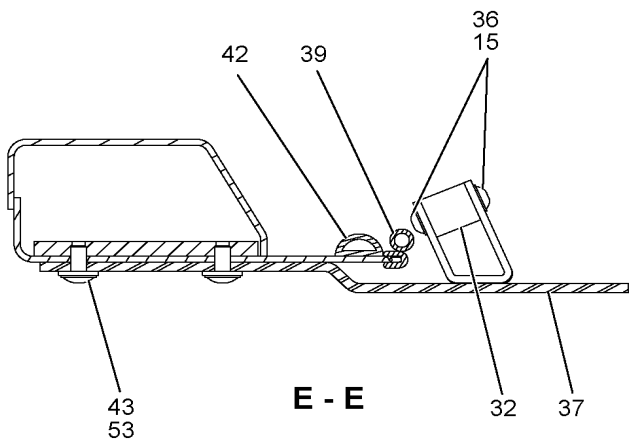
<u>Description</u> CAB MOUNTING ASSEMBLY				Assembly No. 810239780 Revision: L
Item	FN	Part	Qty	Description
48		810113040	4	WASHER RETAINING PLASTIC
49	+	810296433	1	PLATFORM ASSY 2327 X 540 CAB S
50		7951210014	9	F WASHER 12 -ST ISO 7089
51		810286332	1	PLATFORM
52		5636370	2	PIN QUICK RELEASE
53		81039111	1	HANDRAIL CAB SIDE
54		810293342	1	HANDRAIL
55		810302782	1	HANDRAIL
56		7126171153	8	HHCS M8X20 8.8 ISO 4017
57		81038511	1	PLATFORM CAB RIGHT SIDE
58		7126171250	4	CAP SCREW, M8X25 HEX HEAD
59		7661170803	4	NUT NYLOC M8
60		4720140	3	GROMMET
61		80111860	1	LEVEL CIRCULAR BUBBLE
63		80111861	1	BRACKET BUBBLE LEVEL
65		7126151353	3	CAP SCREW, M6X30 HEX HEAD
66		7661150003	3	NUT, HEX
67		7126272253	2	HHCS FULL THREAD
68		7111060610	3	Slot RMS #6-32UNCx0.75 G1
69		7103000	3	L WASHER MEDIUM
70		7660061100	3	NUT, #6-32UNC HEX

+ SEE FURTHER BREAKDOWN THIS GROUP

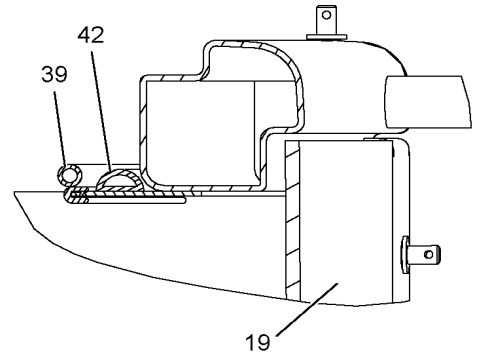
Manitowoc Cranes



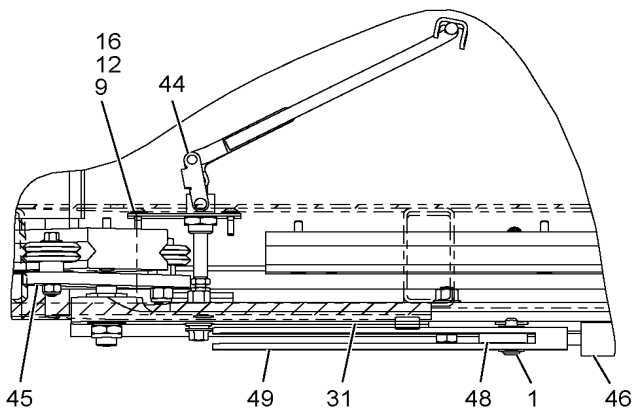
D - D



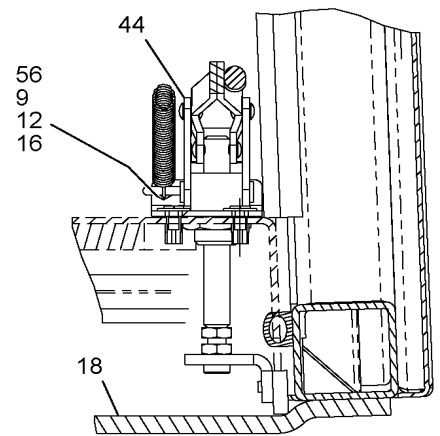
E - E



K - K

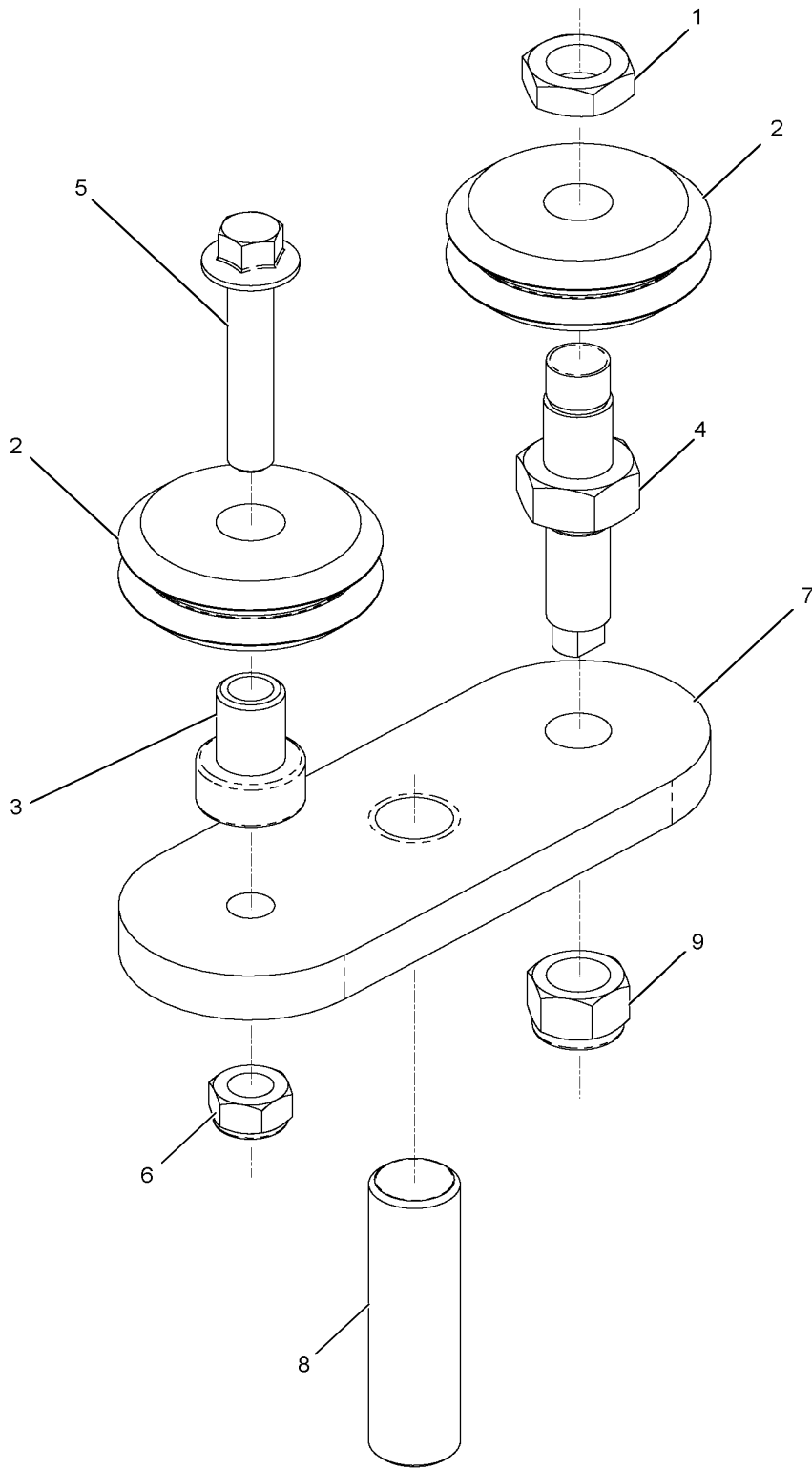


C



L - L

Manitowoc Cranes



Manitowoc Cranes

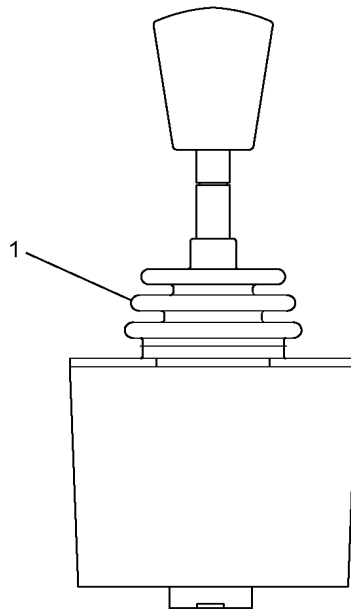
Description
HVAC ASSY CAB

Assembly No.
810223722
Revision:

Item	FN	Part	Qty	Description
1		3453400	6	CLAMP
2		5460750	4	HEX NUT
3		6184170	4	PHIL TMS 8-32UNC X 0.50 GR 1
4		6206050	16	SCREW, PAN
5	+	81040835	1	HVAC KIT CAB INSIDE PARTS
6		7661190003	4	NUT, HEX 10MM
7		7951190220	4	L WASHER 10
8		A026392	1	BRACKET
9		A027330	4	INSERT, THREADED
10		A030320	6	SCREW TC PAN HEAD PHILLIPS
11		4858450	2	HOSE PER FOOT, PLASTIC 1/2ID
12		3454760	2	CLAMP WORM DRIVE, 0.44 - 1.00

+ SEE FURTHER BREAKDOWN THIS GROUP

Manitowoc Cranes



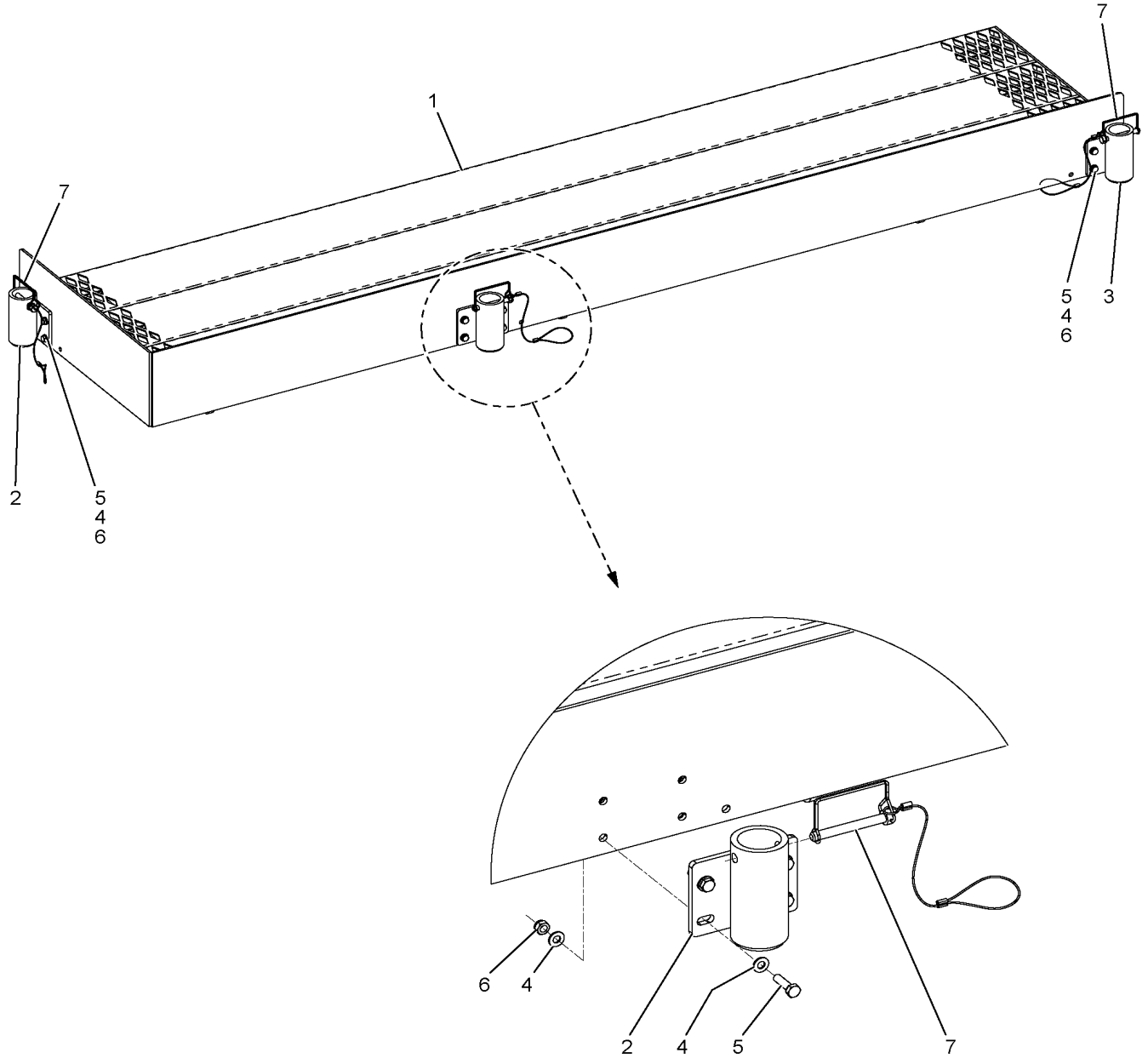
Manitowoc Cranes

Description
ESI CONSOLE RIGHT HAND

Assembly No.
810240861
 Revision: E

Item	FN	Part	Qty	Description
1		4930550	1	INSULATOR
2		6123530	4	SCREW, HEX HEAD
3		6123670	8	HHCS
4		6926560	1	TRIM
5		7094200	4	WASHER, FLAT
6		7103020	8	WASHER, LOCK
7		7113400	2	WASHER
8		80069036	1	CONTROLLER IOS
9		80069038	1	CONTROLLER SCM
10		810247370	1	PANEL ELEC
11		7126111253	2	HHCS M4x25 -8.8 ISO 4017
12		7661110003	2	HEX NUT M4-8 ISO 4032
13		7951110210	2	LOCKWASHER, 4MM I.D.
14		A008029	1	TERMINAL
15		A118130	1	POWER SUPPLY
16		A183320	4	WASHER, LOCK COUNTERSUNK

Manitowoc Cranes



Manitowoc Cranes

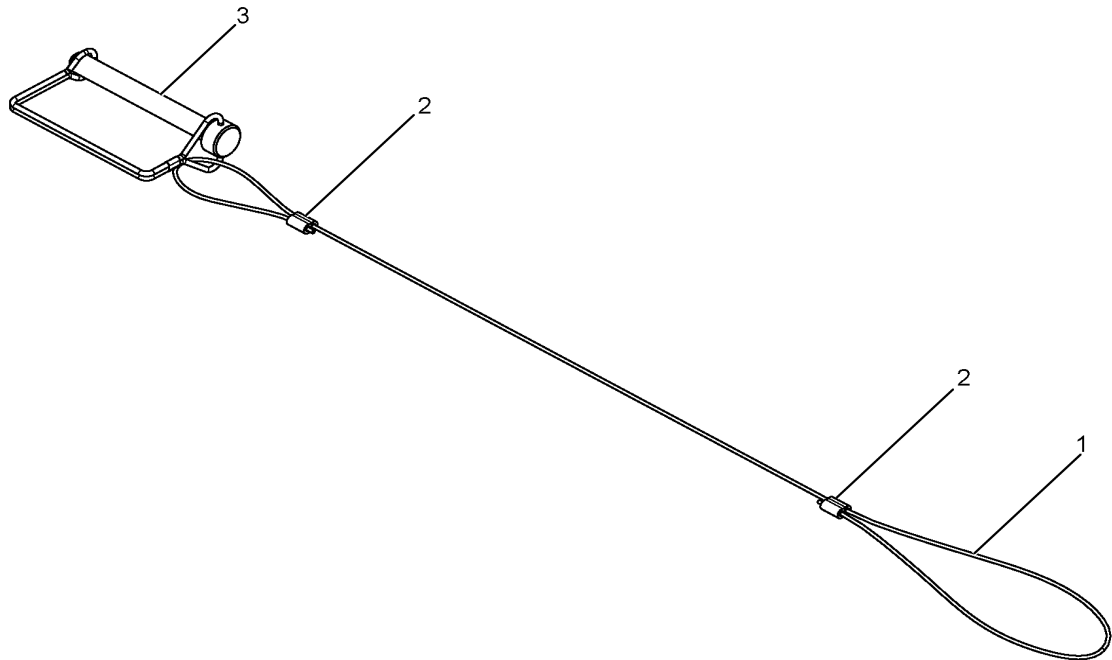
Description
PLATFORM ASSY

Assembly No.
810298032
Revision: D

Item	FN	Part	Qty	Description
1		81040492	1	PLATFORM
2		810273132	2	BRACKET
3		1438892	4	PIN 1 HOLE W/HD
4		81040523	2	PLATE
5		810286152	2	BRACE
6		84024200	2	SAFETY PIN
7		5639120	2	PIN, QUICK RELEASE
8	+	810293652	3	LANYARD
9		7951170014	16	F WASHER 8 -ST ISO 7089
10		7126171353	4	HHCS M8X30 8.8 ISO 4017
11		7126171453	4	HHCS M8x35 -8.8 ISO 4017
12		7661170803	8	NUT NYLOC M8
13		7951190014	8	F WASHER 10
14		7126191550	4	HHCS M10X40 8.8 FLZN ISO 4014
15		7661190004	4	NUT
16		810303242	1	BRACKET
17		7127211453	2	CAP SCREW, M12 X 35MM HEX HEAD
18		7661210803	2	HEX LOCK NUT
19		7951210014	4	F WASHER 12 -ST ISO 7089
20		5620440	2	PIN, COTTER

+ SEE FURTHER BREAKDOWN THIS GROUP

Manitowoc Cranes



Manitowoc Cranes

Description

PLATFORM ASSY ROT BED REAR

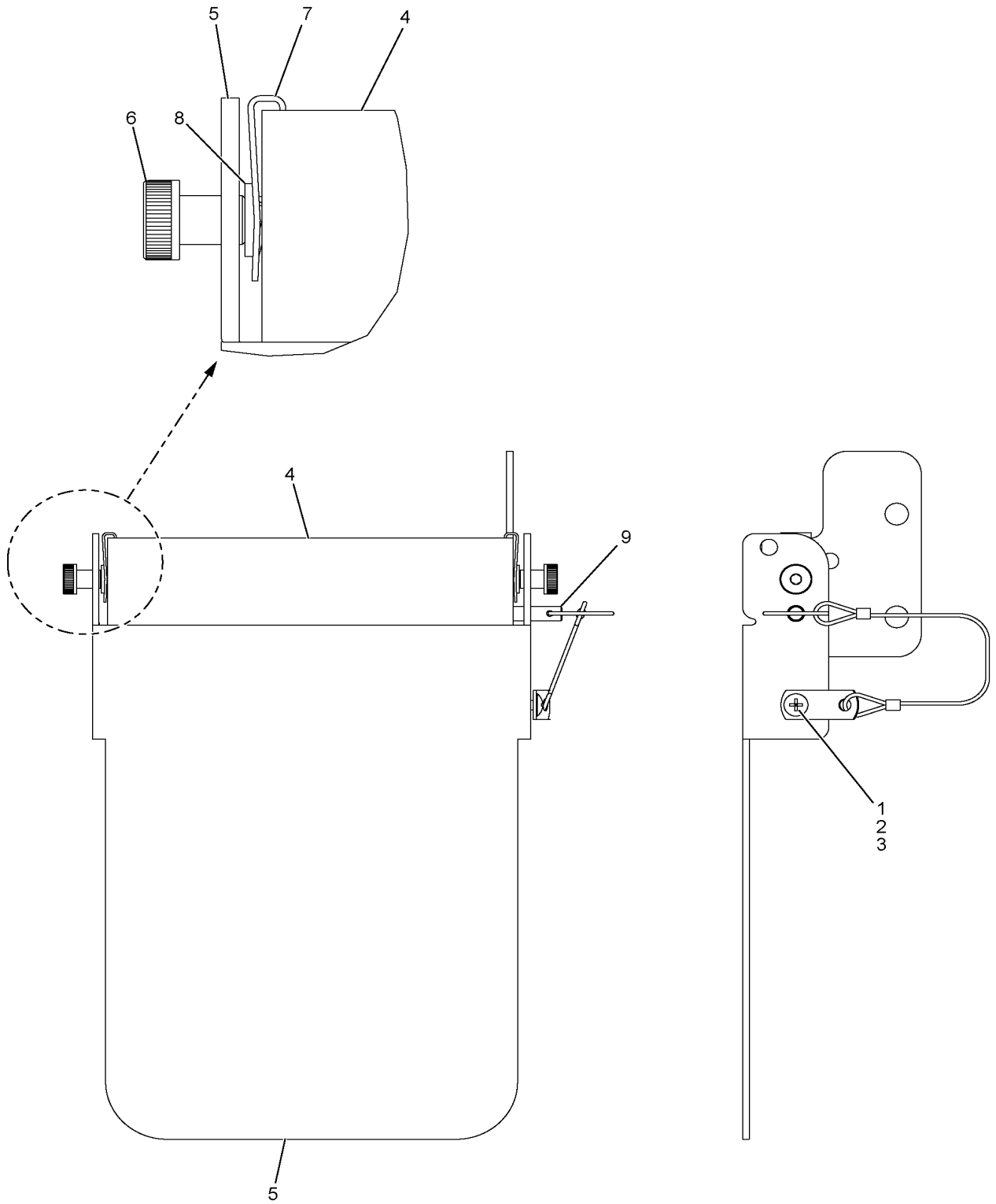
Assembly No.

81040151

Revision: **B**

Item	FN	Part	Qty	Description
1		81039622	1	PLATFORM ROT BED REAR LEFT
2		81039845	2	HINGE 4.0 X 4.0 X .38 PIN SS
3		7127171155	6	SFHCS

Manitowoc Cranes



Manitowoc Cranes

Description

FRONT DRUM BRAKE PEDAL

Assembly No.

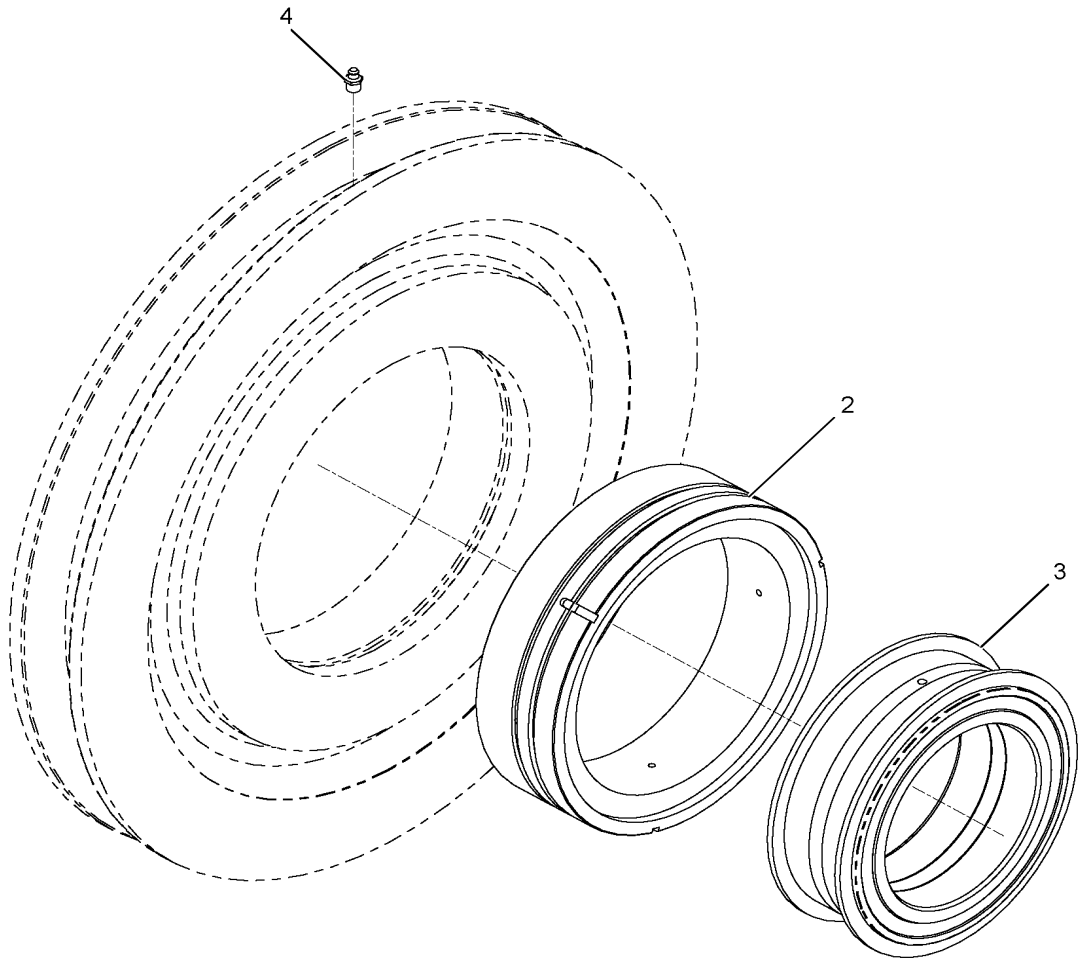
1965291

Revision: **FA**

Item	FN	Part	Qty	Description
1	+	1965299	1	PEDAL FRONT DRUM BRAK

+ SEE FURTHER BREAKDOWN THIS GROUP

Manitowoc Cranes



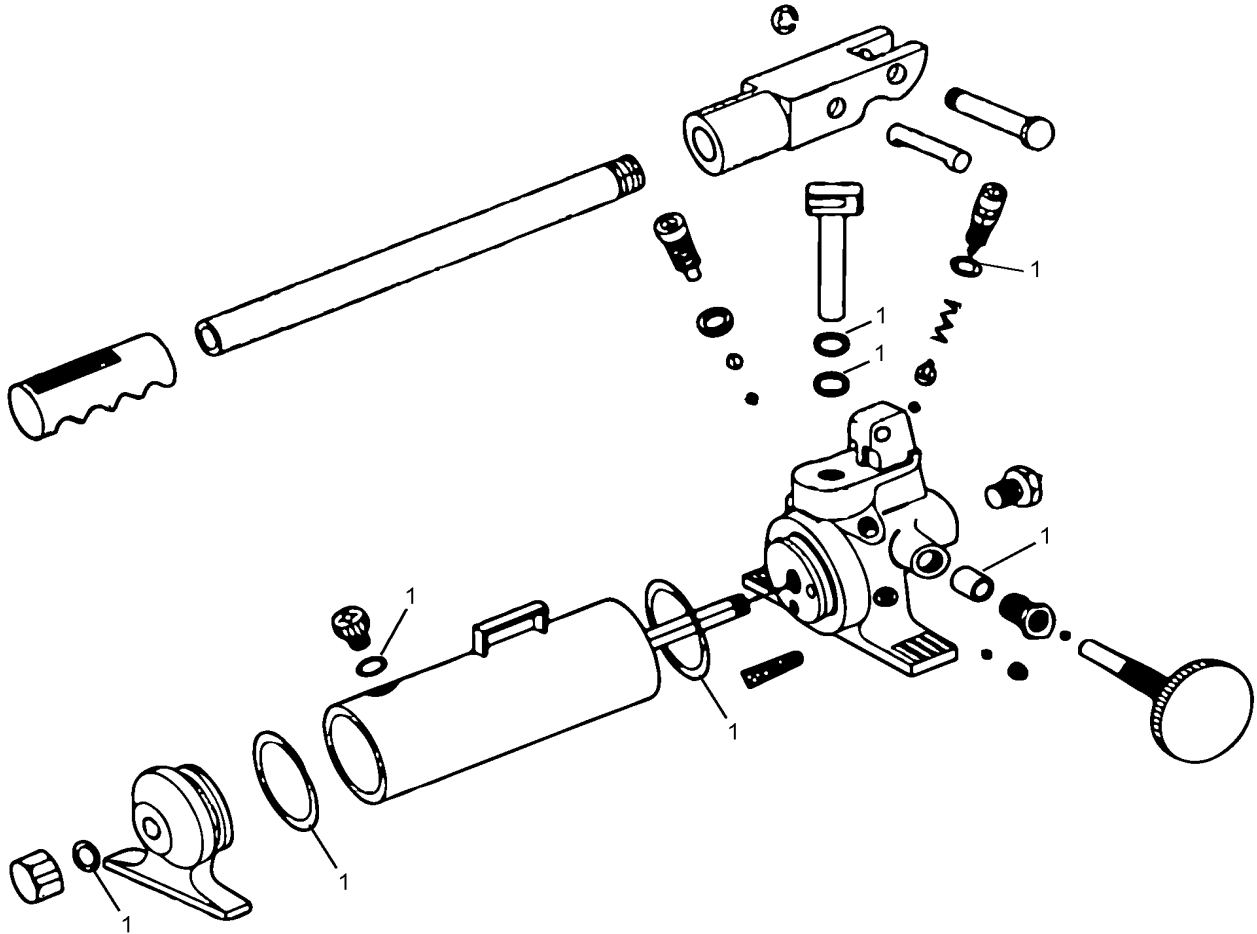
Manitowoc Cranes

Description
LANYARD ASSY PIN

Assembly No.
84019925
Revision: **A**

Item	FN	Part	Qty	Description
1		81007002	2	SLEEVE OVAL AL
2		81007001	1	WIRE 3/64 7X7 SS VC-1/16 CLEAR
3		A066560	1	PIN SAFETY

Manitowoc Cranes



Manitowoc Cranes

Description

ROTATING BED VPC COMPONENTS

Assembly No.

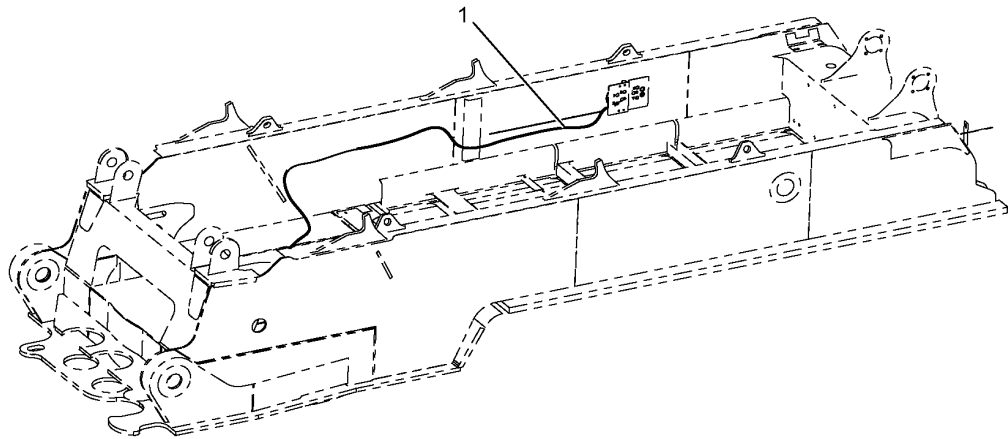
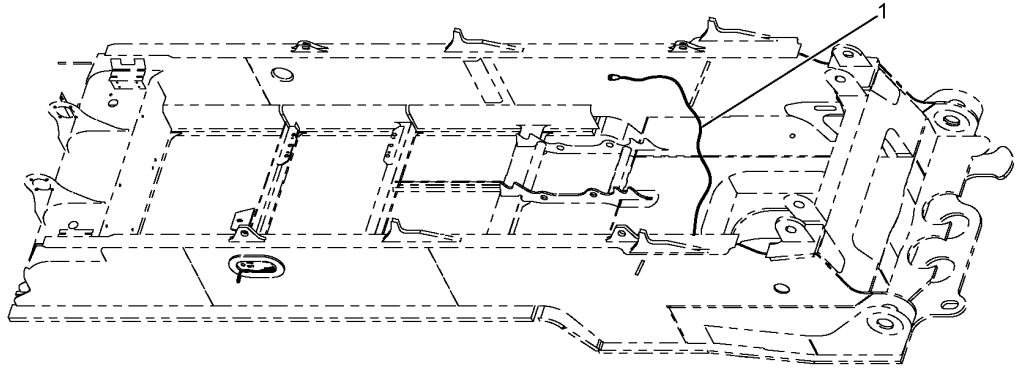
84045983

Revision: **D**

Item	FN	Part	Qty	Description
1	+	81026037	1	GEAR RACK ASSY VPC
2	+	84028440	1	WEAR PAD ASSY VPC
3	+	84045984	1	HYD LINES INSTL VPC LINES
4	+	84049860	1	ESI ROT BED VPC

+ SEE FURTHER BREAKDOWN THIS GROUP

Manitowoc Cranes



Manitowoc Cranes

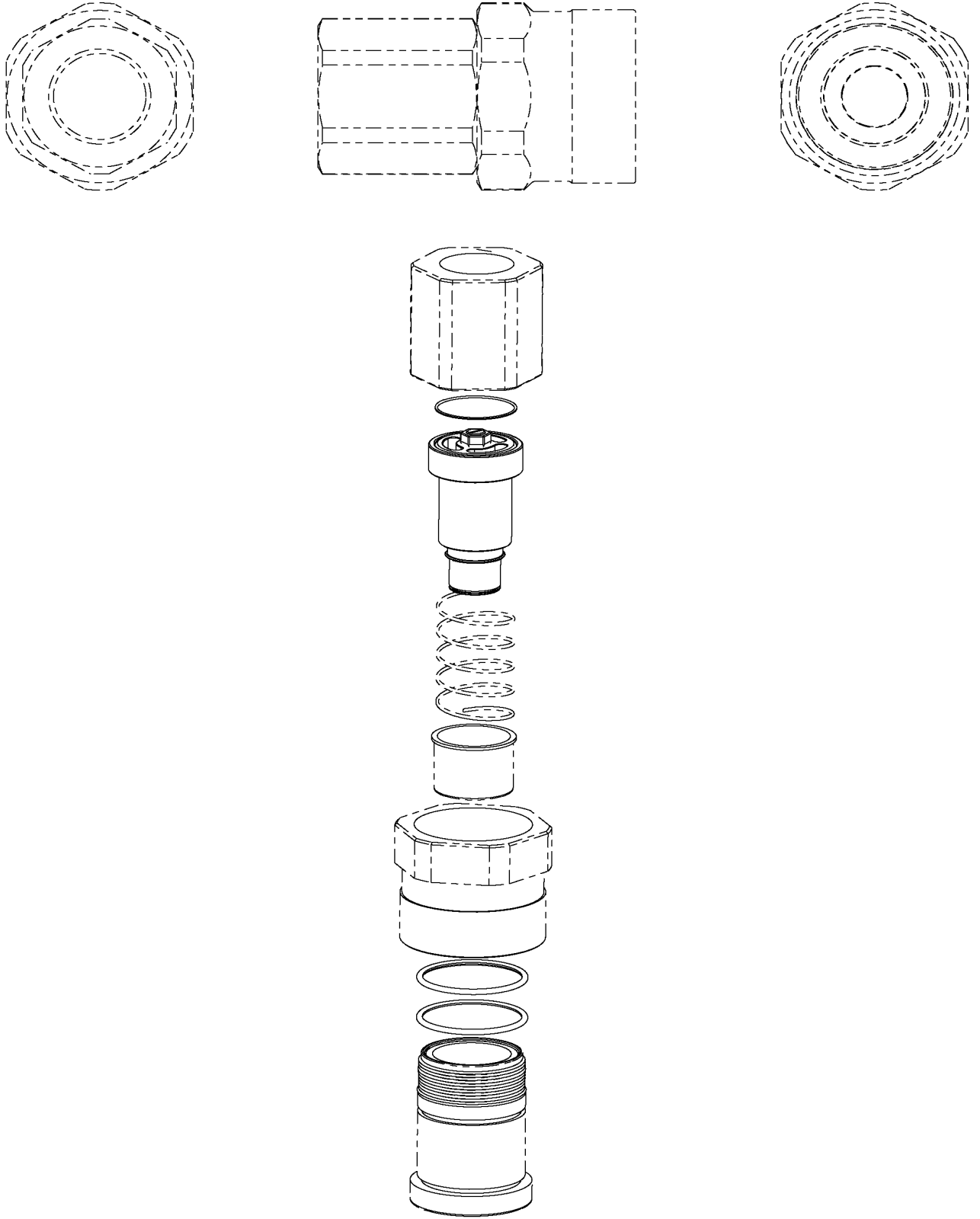
Description
ESI VPC MOUNTING

Assembly No.
81028670
Revision: **G**

Item	FN	Part	Qty	Description
1	#	80069035	1	ELECTRONIC CONTROL UNIT-MWCCM
2		810018650	1	ALARM
3		810089770	2	RETAINER
4		810245002	1	CABLE ROD
6		810254612	1	BRACKET
7		810282202	1	BRACKET
8		810291962	4	STUD
9		7126151153	4	HHCS M6X20 SS ISO 4017
10		7126152053	4	HHCS M6x65 -8.8 ISO 4017
11		7126191153	10	HHCS M10X20 8.8
12		7126211253	4	HHCS M12X25 8.8 FLZN ISO 4017
13		7661150004	8	NUT, HEX - 6MM
14		7661210003	4	NUT, HEX 12MM N.C.
15		7951150014	4	F WASHER
16		7951150210	8	LOCKWASHER, 6MM I.D.
17		7951190014	10	F WASHER 10
18		7951210014	4	F WASHER 12 -ST ISO 7089
19		7951210220	4	L WASHER 12 -HRC44-51 DIN 127
20		A015990	3	RETAINER, P-CLIP

SERVICED AS AN ASSEMBLY ONLY

Manitowoc Cranes



Manitowoc Cranes

Description

VALVE MANIFOLD ASSY 2 BK D03 2

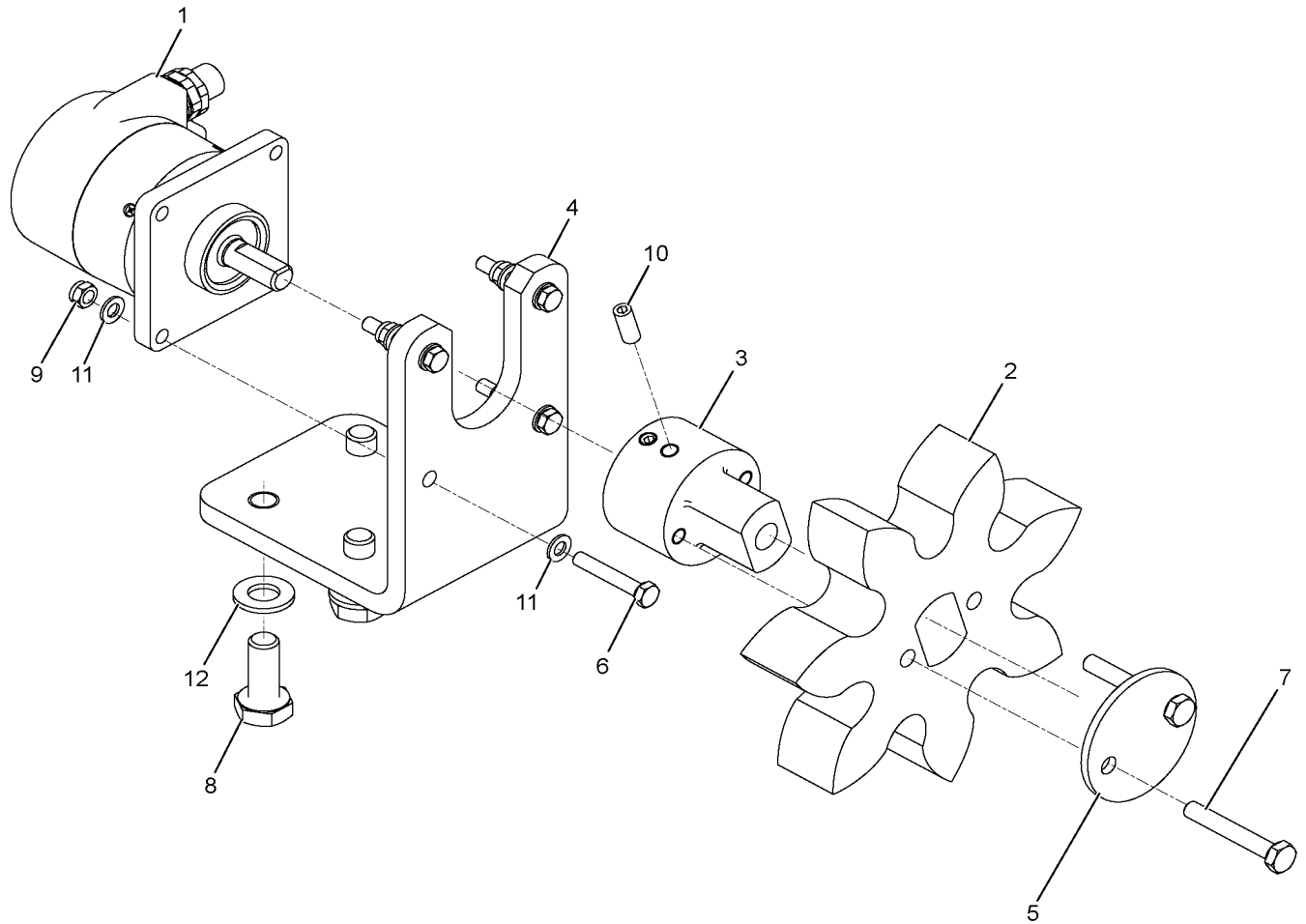
Assembly No.

810136490

Revision: B

Item	FN	Part	Qty	Description
1		7034100	1	VALVE MANIFOLD
2		810270870	2	VALVE PROPORTIONAL 3 POS, 4 WA

Manitowoc Cranes



Manitowoc Cranes

Description

HYD LINES INSTL VPC-MAX PREP

Assembly No.

81037248

Revision: H

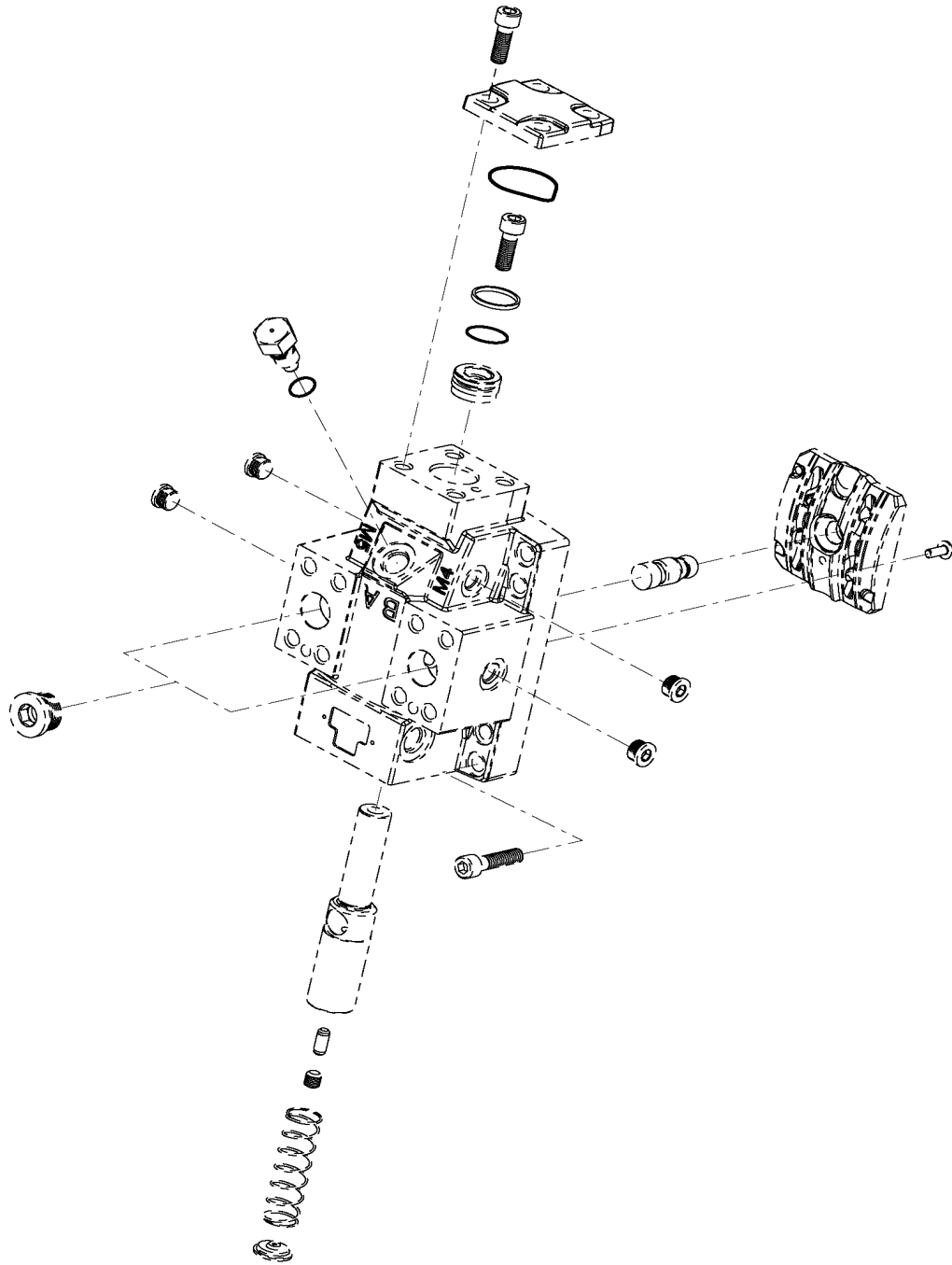
Item	FN	Part	Qty	Description
1		5621090	4	PIN COTTER
2		81037152	4	PIN 1 HOLE W/HD 38.0 DIA X 127
3		84036370	2	LATCH VPC-MAX
5		7447100851	2	EXPANDER
6		7951190010	4	F WASHER 10 -HRC44-51 ISO 7089
7		7126191250	4	HHCS M10X25 8.8 FLZN ISO 4014
8		7126171853	1	HHCS M8x55 -8.8 ISO 4017
9		81042178	1	HOSE ASSY VPC-MAX PREP HP
11		81042106	1	BRACKET VPC MAX QD
12		81041928	1	HOSE ASSY VPC-MAX PREP HP
13		81041927	1	HOSE ASSY VPC-MAX PREP HP
14		81041926	1	HOSE ASSY VPC-MAX PREP HP
16		810293140	6	FITTING ADAPTER STRAIGHT
17		810276040	1	COVER PLATE
18		810272080	1	CLAMP
19		810039150	6	CAP DUST
20	+	810039140	6	Q DISCON FITTING
21		84036420	2	PLATE 3.2 X 96.3 X 365.0
22		7126171053	4	HHCS M8X16 SS ISO 4017
23		7951170014	4	F WASHER 8 -ST ISO 7089
24		84019084	1	HOSE ASSY VPC-MAX PREP LP
25		84019084	1	HOSE ASSY VPC-MAX PREP LP
26	+	80106581	2	PIN LANYARD ASSY

+ SEE FURTHER BREAKDOWN THIS GROUP

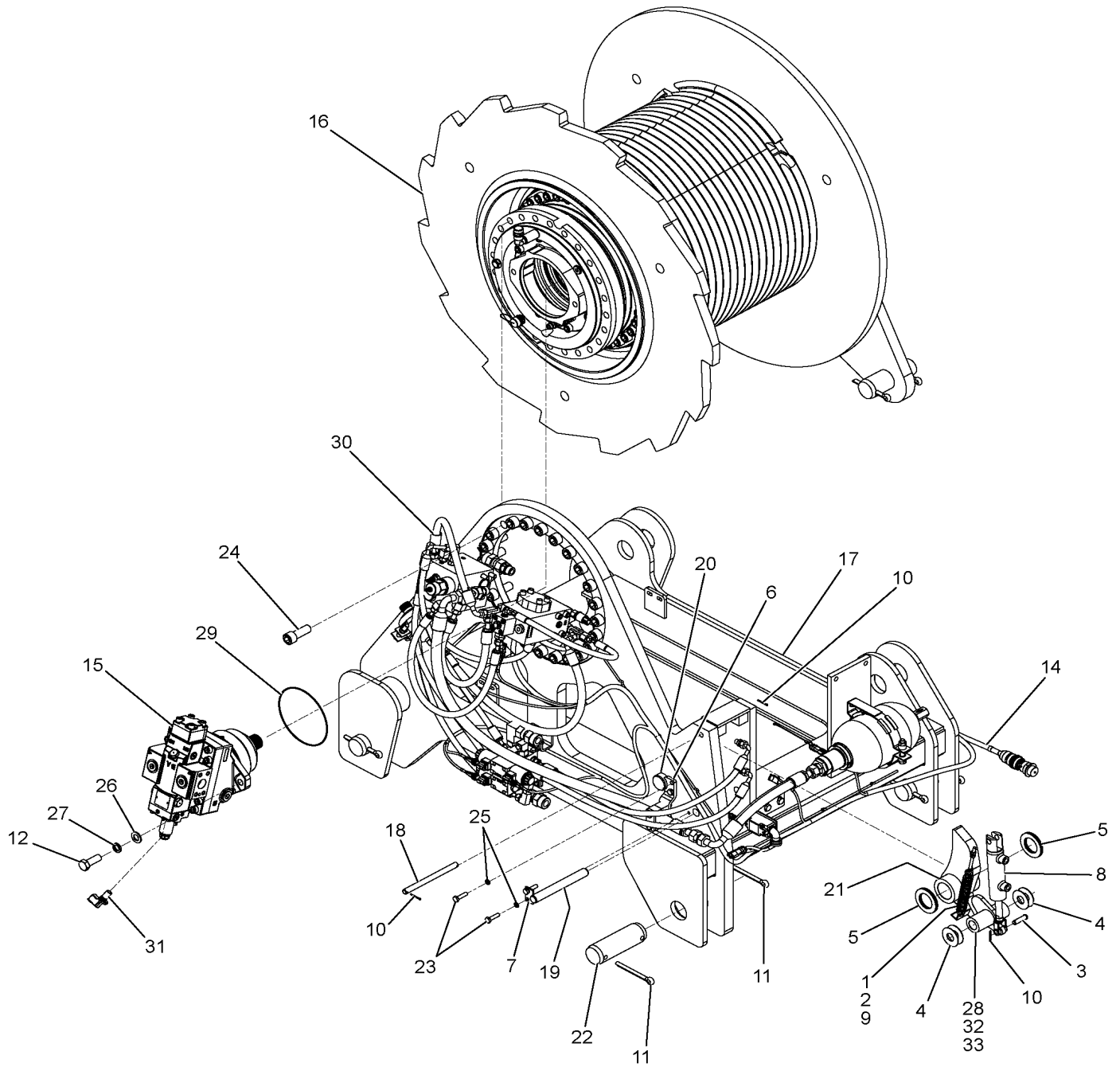
Manitowoc Cranes

Notes

Manitowoc Cranes



Manitowoc Cranes



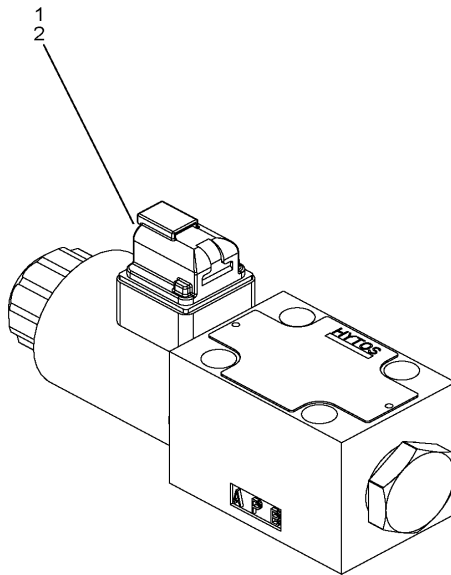
Manitowoc Cranes

Description
OVERHAUL SEAL KIT, H1B160

Assembly No.
90038633
Revision: C

Item	FN	Part	Qty	Description
1		NPN	1	NO PART NUMBERS FOR SERVICE SEAL KIT ITEMS SHOWN SOLID

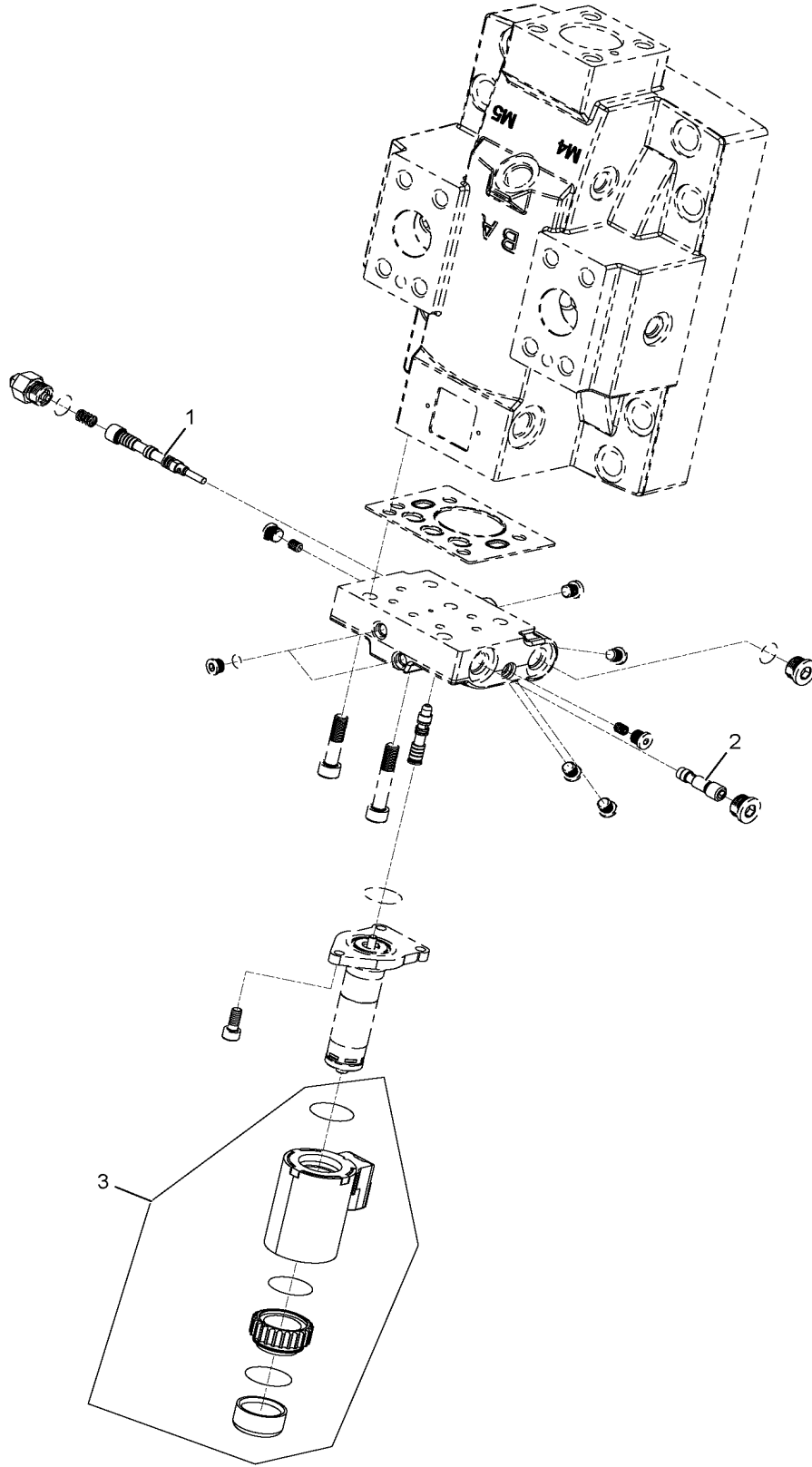
Manitowoc Cranes



Manitowoc Cranes

Notes

Manitowoc Cranes



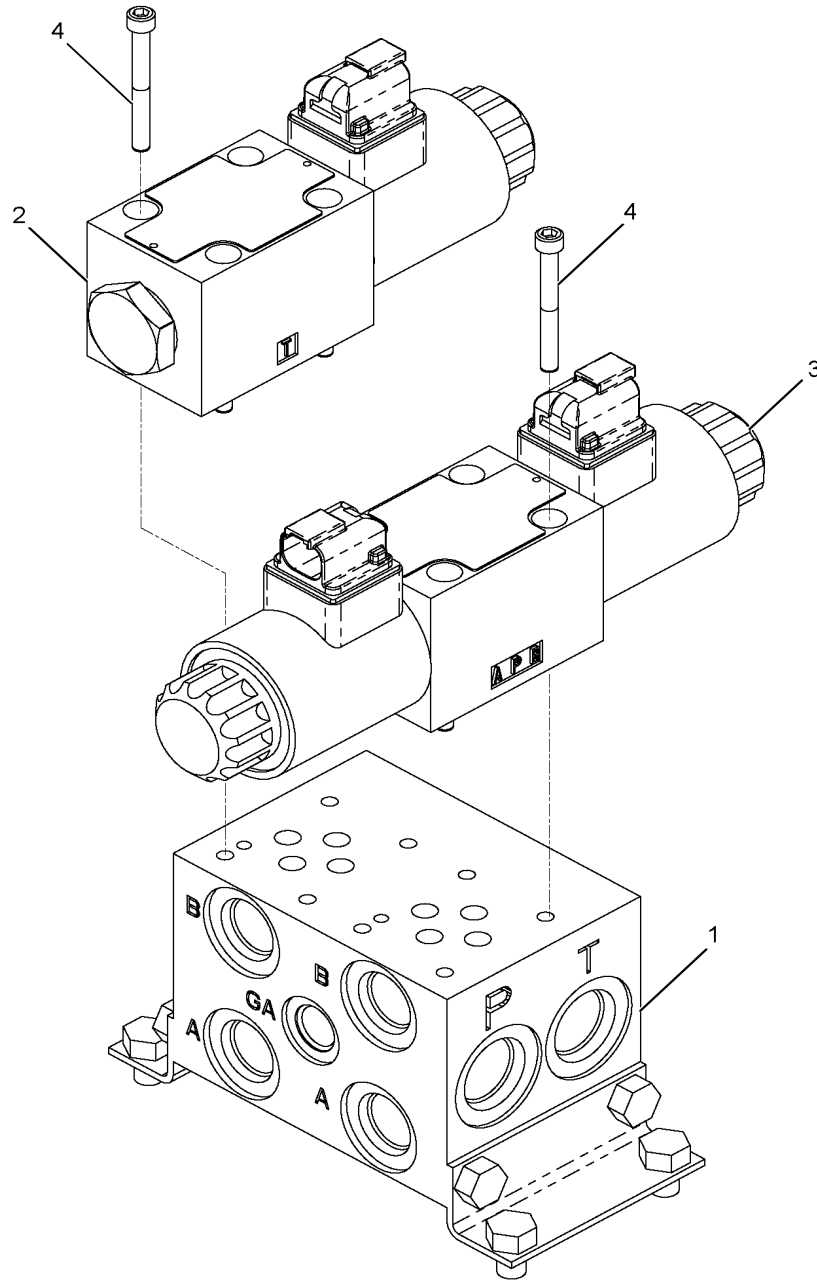
Manitowoc Cranes

Description
SENSOR

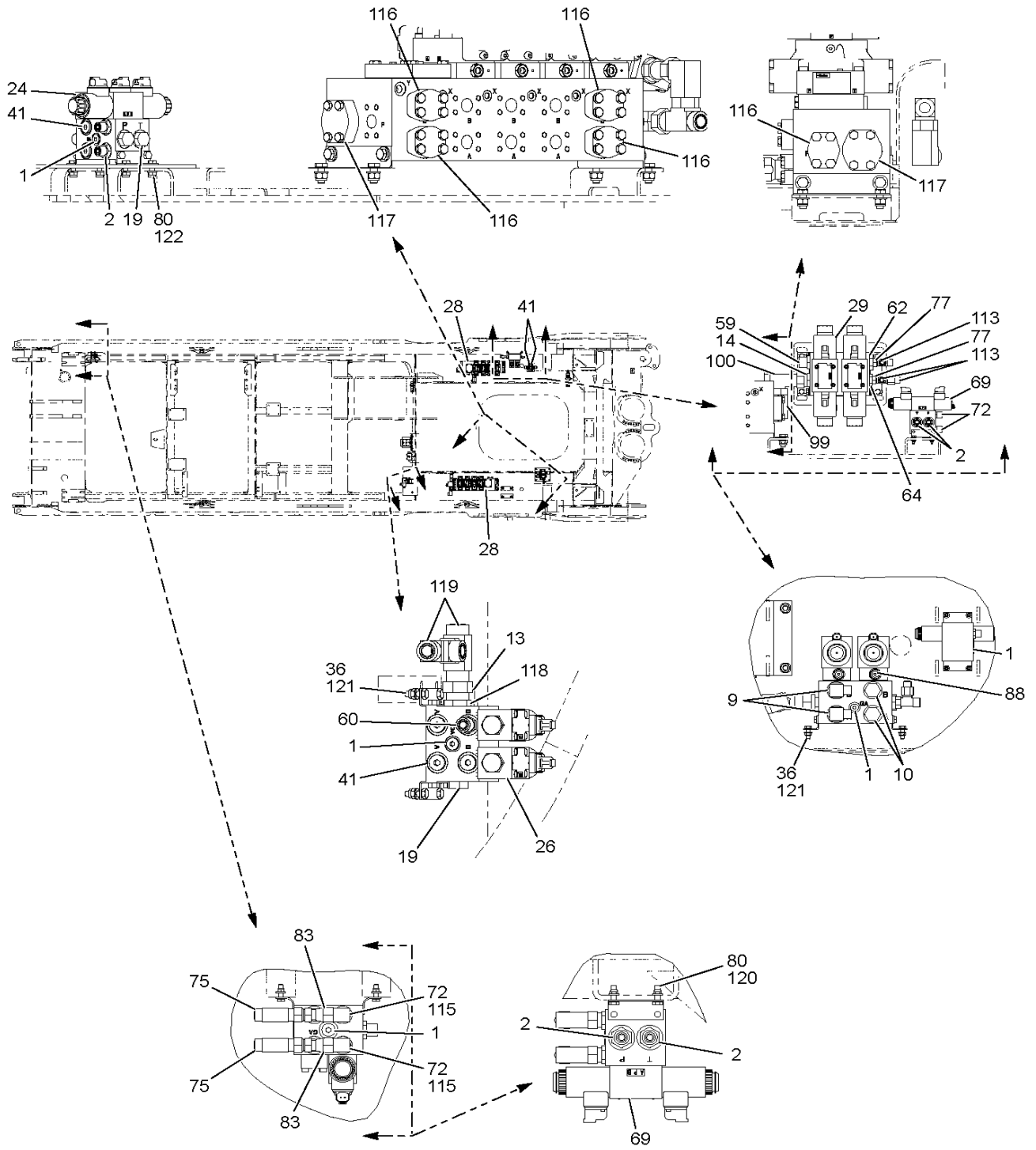
Assembly No.
810300010
Revision: **B**

Item	FN	Part	Qty	Description
1		81041772	1	O-RING 15.6 X 1.8 SAE J515
2		84024269	1	PLUG, SPEED SENSOR PART NOT SHOWN. NOT SUPPLIED WITH SENSOR.
3		7126150854	1	SHCS M6X12 PART NOT SHOWN. NOT SUPPLIED WITH SENSOR.

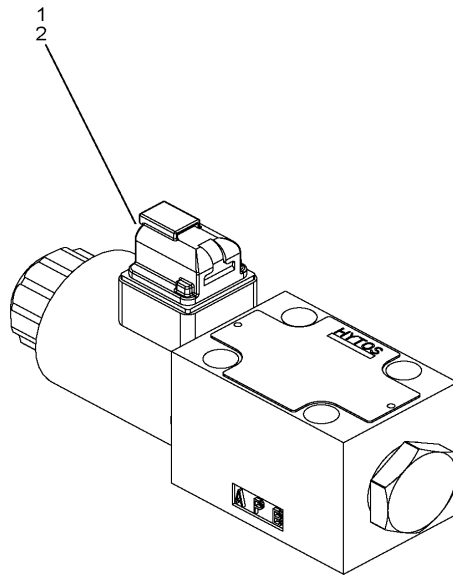
Manitowoc Cranes



Manitowoc Cranes



Manitowoc Cranes



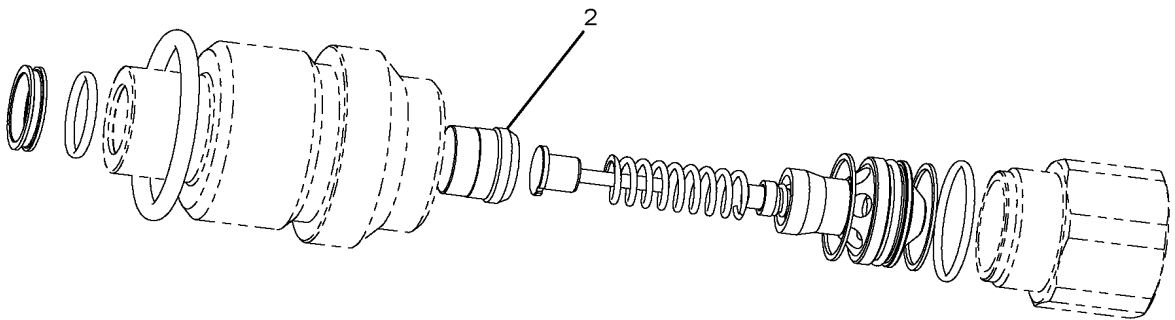
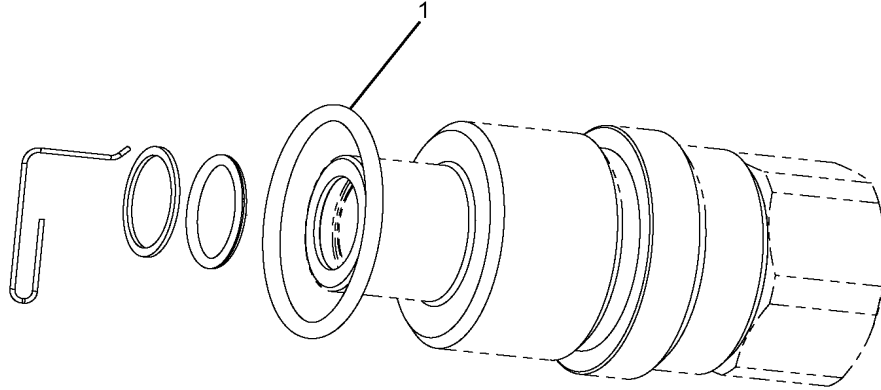
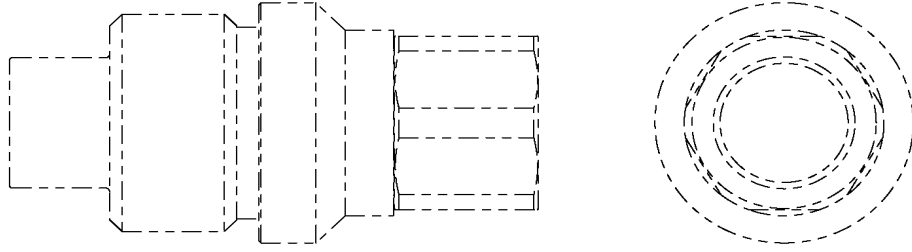
Manitowoc Cranes

Description
PIPING HYDR ASSY

Assembly No.
81035571
 Revision: J

Item	FN	Part	Qty	Description
2		3456730	1	CLAMP, TUBE
5		4316270	1	FLANGE ASSY SPLIT CODE 62
7		5966920	2	O-RING
11		810101820	2	FLANGE
13		810160850	2	FLANGE SPLIT CODE 62
15		7568406676	1	HOSE ASSY CODED
16		81035598	1	HOSE ASSY
19		7115183850	8	HHCS 1/2-13UNCx4.75 G5
32		81038812	1	TUBE ASSY
33		4316490	1	FLANGE ASSY SPLIT CODE 62
34		3455120	1	CLAMP TUBE
42		84037620	1	PLUG FLANGE 0.75 CODE 62

Manitowoc Cranes



Manitowoc Cranes

Notes

Manitowoc Cranes

Description

HYD LINES INSTL ROT BED ACCESS

Assembly No.

81027447

Revision: **K**

Item	FN	Part	Qty	Description
				INCLUDES THE FOLLOWING PARTS
		7755012002	1	O-RING
		7755906002	1	O-RING
35		7447060633	3	ELBOW, 90 DEGREE MALE
				INCLUDES THE FOLLOWING PARTS
		7755012002	1	O-RING
36		7447060803	2	ELBOW, 90 DEGREE MALE
				INCLUDES THE FOLLOWING PARTS
		7755012002	1	O-RING
		7755908002	1	O-RING
38		7555201003	1	HOSE ASSY CODED
39		7555201301	1	HYD HOSE ASSY
40		7555201601	1	HOSE ASSY, 3/8" I.D. X 16" LONG
41		7555201501	1	HOSE ASSY .375 ID X 15 LG
42		7555202403	1	HOSE ASSY .375 ID X 24 LG
43		7555203501	1	HOSE ASSY, 3/8" I.D. X 35" LONG
44		7555204501	1	HOSE ASSY, 3/8" I.D. X 45" LONG
45		7555204501	1	HOSE ASSY, 3/8" I.D. X 45" LONG
46		7555205502	1	HOSE ASSY, 3/8" I.D STR-4
47		7555205502	1	HOSE ASSY, 3/8" I.D STR-4
48		7555212802	1	HOSE ASSY .38 ID X 128 LG
49		7555212802	1	HOSE ASSY .38 ID X 128 LG
50		7555228703	1	HOSE ASSY CODED .38 ID X 287 L
51		7555227901	1	HOSE ASSY CODED
52		7661170003	4	NUT
53		81040328	4	F WASHER SHIM
62		4284560	1	FITTING ADAPTER STRAIGHT
63	+	810210270	1	Q DISCON FITTING
64		810210290	1	CAP DUST
65		810276050	3	COVER PLATE
66		810351320	3	CLAMP
67		84030059	1	TUBE ASSY CYL EXTEND/RETRACT
68		84030060	1	TUBE ASSY CYL EXTEND/RETRACT
69		7126171753	3	CAP SCREW, M8X50 HEX HEAD
70		810121670	1	CAP DUST
71		7041190	1	VALVE FLOW CONTROL
72		7447060808	1	ELBOW, 45 DEGREE
				INCLUDES THE FOLLOWING PARTS
		7755012002	1	O-RING
		7755908002	1	O-RING
73		7447080840	1	ADAPTER, STRAIGHT FEMALE
				INCLUDES THE FOLLOWING PARTS
		7755014002	1	O-RING

+ SEE FURTHER BREAKDOWN THIS GROUP

CLICK HERE TO **DOWNLOAD** THE COMPLETE MANUAL

- Thank you very much for reading the preview of the manual.
- You can download the complete manual from: www.heydownloads.com by clicking the link below



- Please note: If there is no response to CLICKING the link, please download this PDF first and then click on it.

CLICK HERE TO **DOWNLOAD** THE COMPLETE MANUAL

Manitowoc Cranes

Description

HYD LINES INSTL ACC HIGH PRES

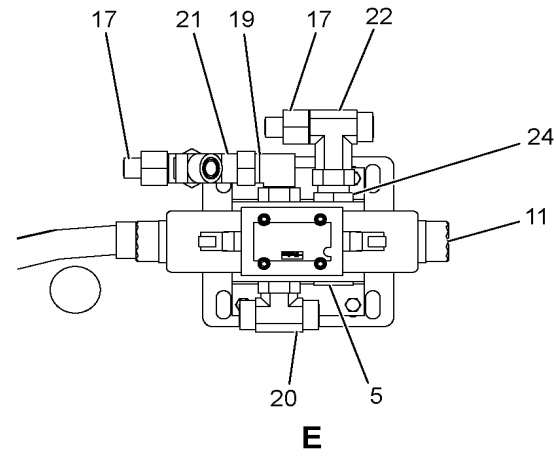
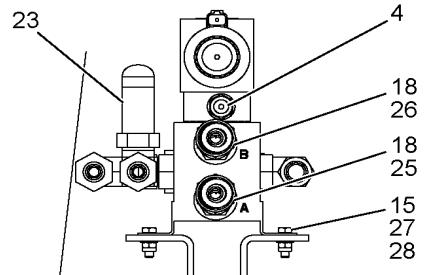
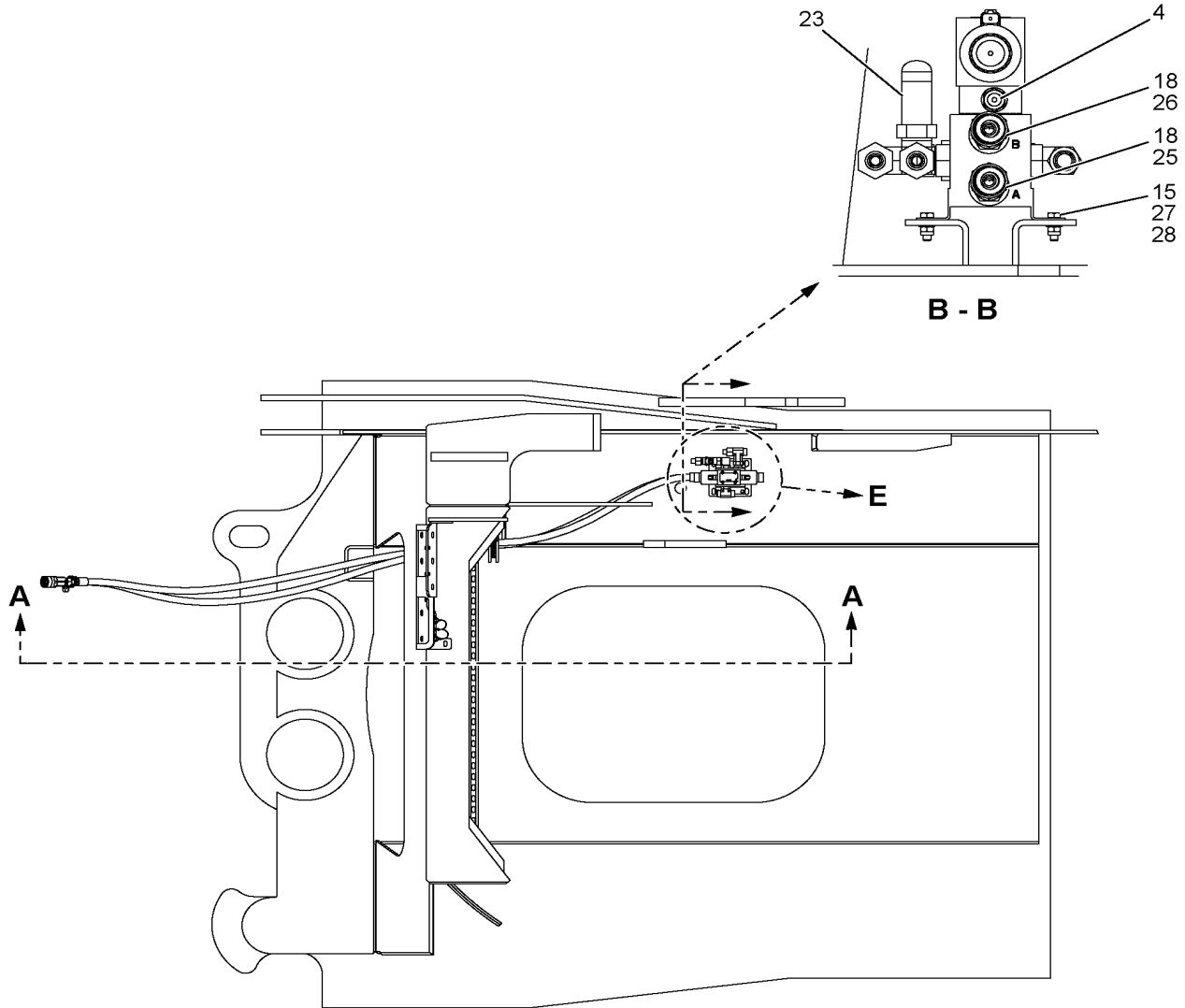
Assembly No.

81027461

Revision: L

Item	FN	Part	Qty	Description
3		7447060634	1	TEE, FEMALE RUN INCLUDES THE FOLLOWING PARTS
		7755012002	1	O-RING
		7755906002	1	O-RING
4		4284640	2	FITTING ADAPTER 90 DEG
5		7555213403	1	HOSE ASSY CODED
7		7555214403	1	HOSE ASSY, 3/8" I.D. X 144" LONG
8		7555303771	1	HOSE ASSY CODED
9		7555303471	1	HOSE ASSY CODED
10		7555303771	1	HOSE ASSY CODED
11		7555303771	1	HOSE ASSY CODED
12		7555304071	1	HOSE ASSY CODED
13		7555304071	1	HOSE ASSY CODED
14		7555307570	1	HOSE ASSY CODED .50 ID X 75 LG
16		7555603171	1	HOSE ASSY CODED 1.00 ID X 31 LG
37		4285990	1	FITTING ADAPTER STRAIGHT
38		7447060646	1	ADAPTER, MALE ORFS 45 DEG
40		810272110	1	CLAMP
41		810275920	1	PLATE
42		7555307570	1	HOSE ASSY CODED .50 ID X 75 LG
43		7447080833	2	ELBOW, 90 DEGREE MALE INCLUDES THE FOLLOWING PARTS
		7755014002	1	O-RING
		7755908002	1	O-RING
44		7126171753	1	CAP SCREW, M8X50 HEX HEAD
45		7094300	1	WASHER, FLAT

Manitowoc Cranes



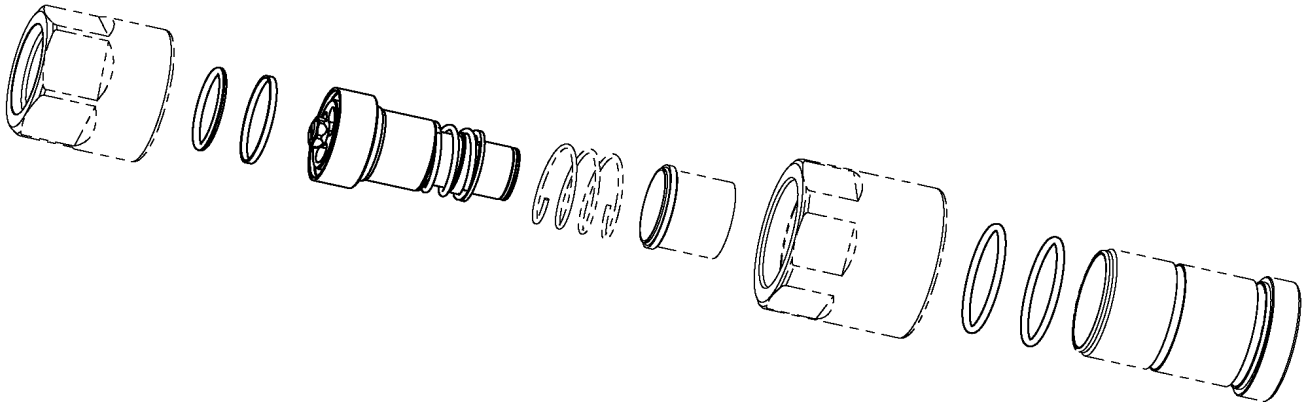
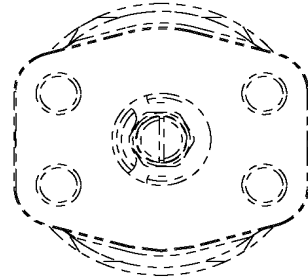
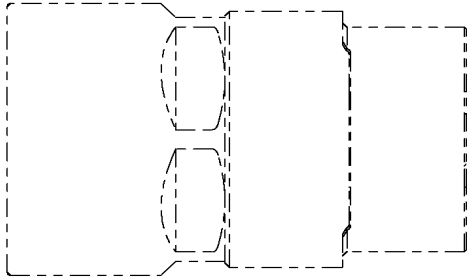
Manitowoc Cranes

Description
Q DISCON FITTING

Assembly No.
810039130
Revision:

Item	FN	Part	Qty	Description
1		810120130	1	REPAIR KIT F

Manitowoc Cranes



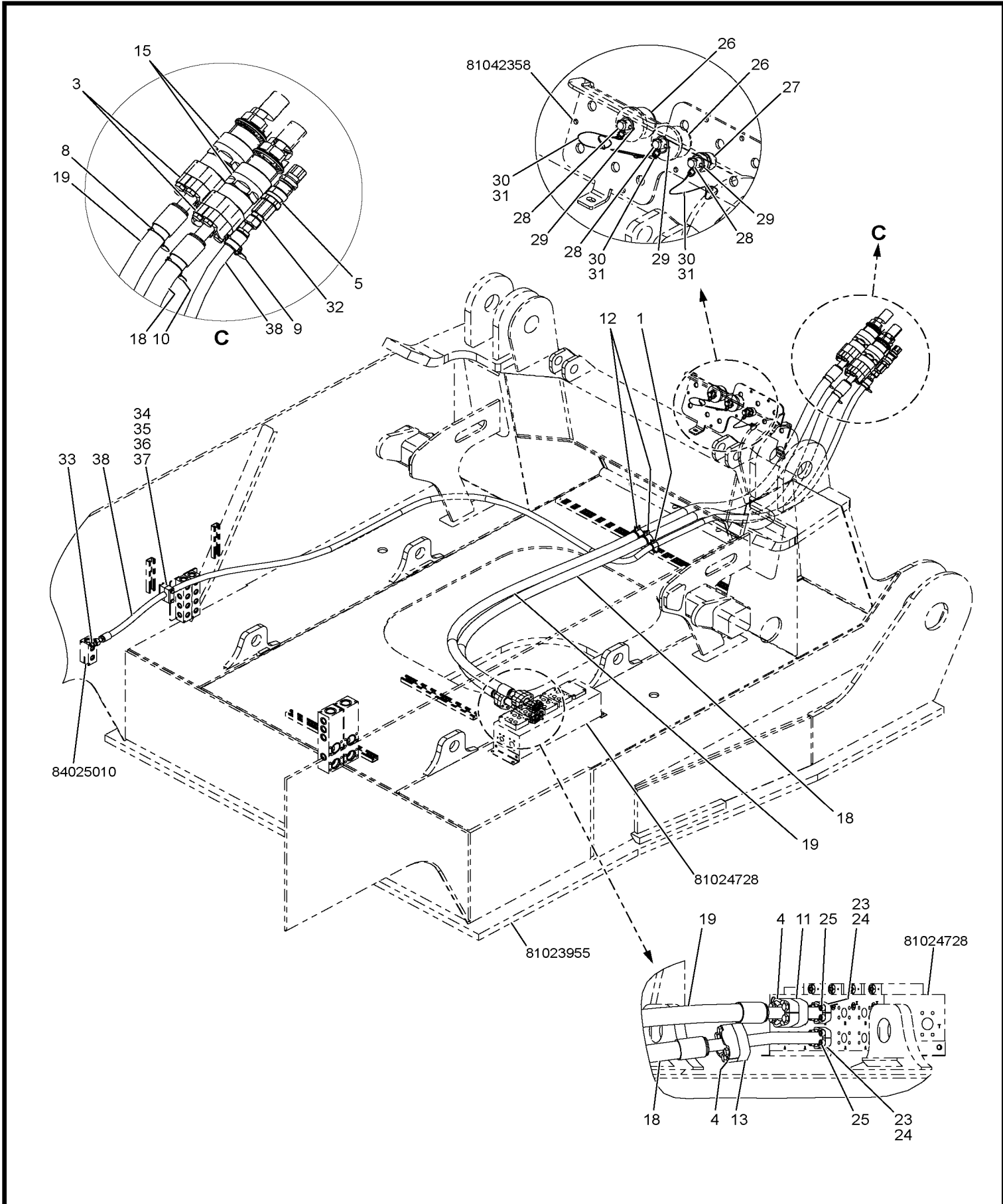
Manitowoc Cranes

Description
Q DISCON FITTING

Assembly No.
810039130
Revision:

Item	FN	Part	Qty	Description
1		810120130	1	REPAIR KIT F

Manitowoc Cranes

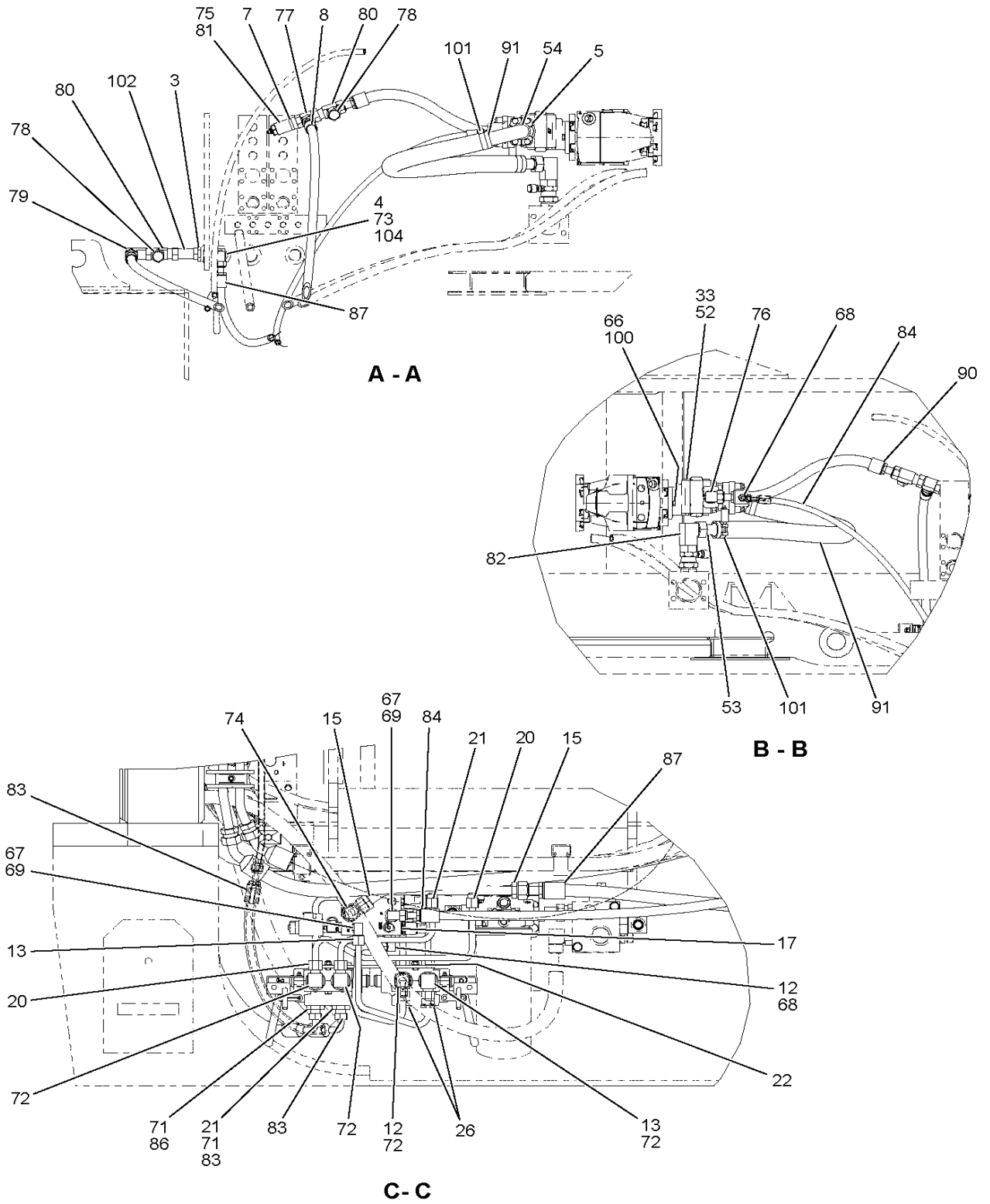


81034016

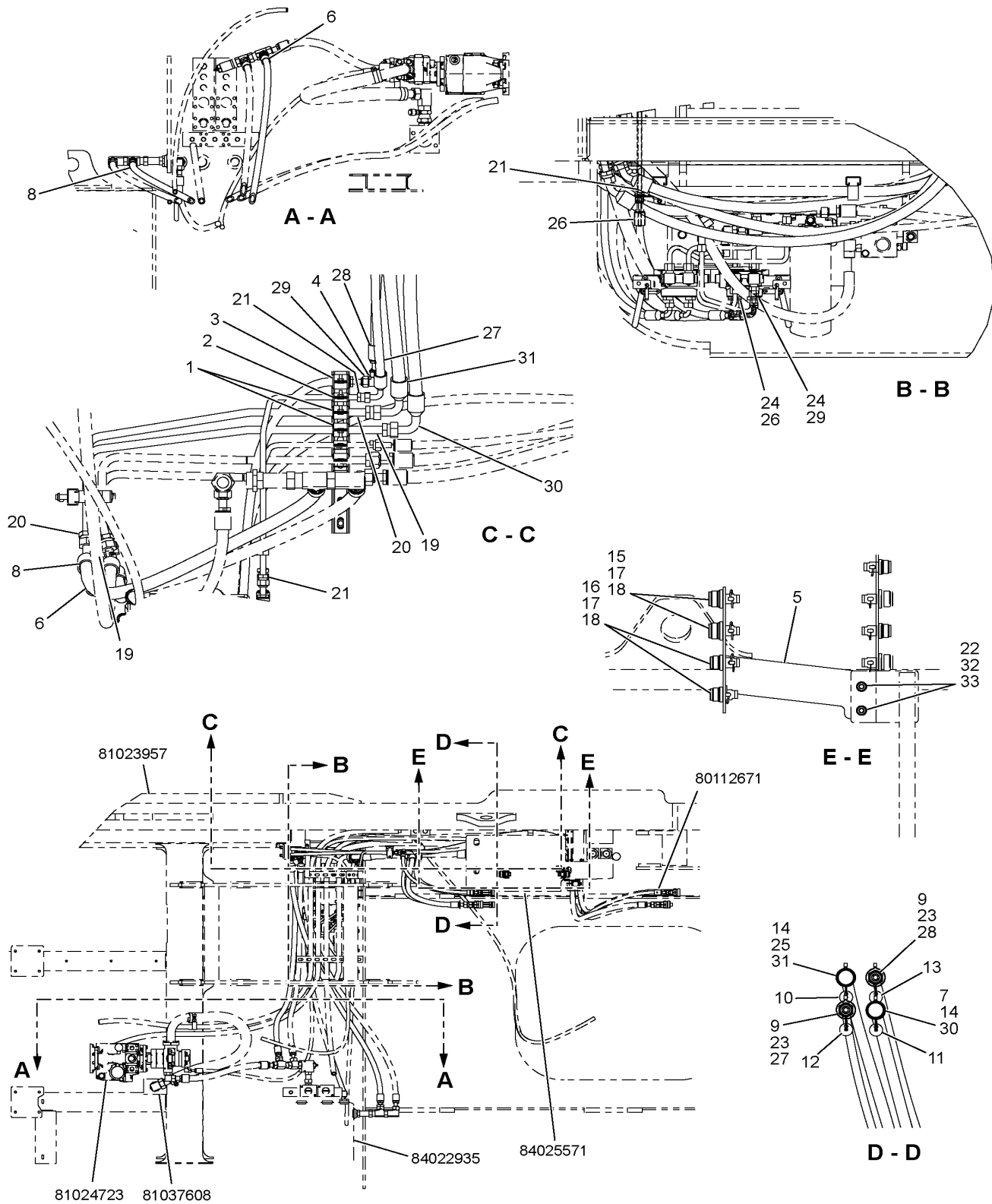
(SHEET 1 OF 1)

Page 700

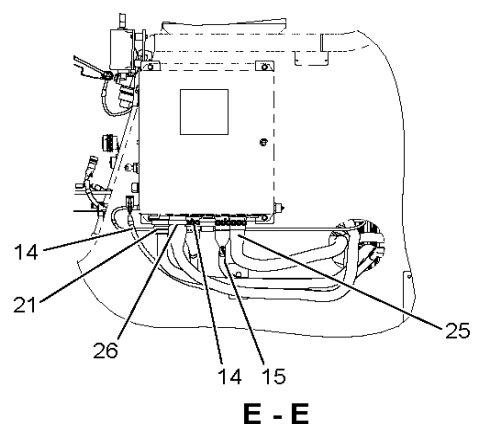
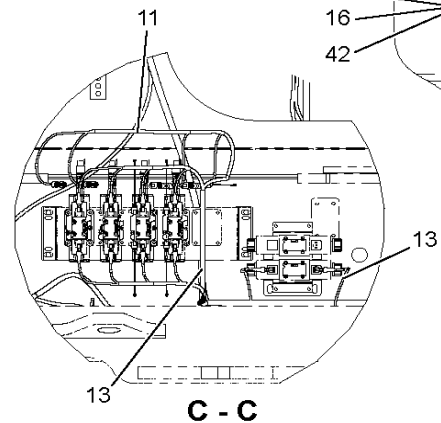
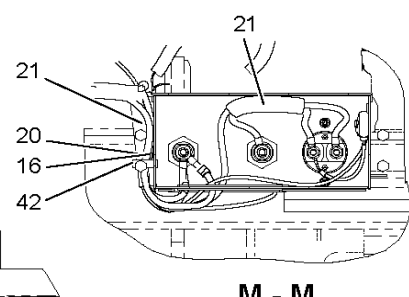
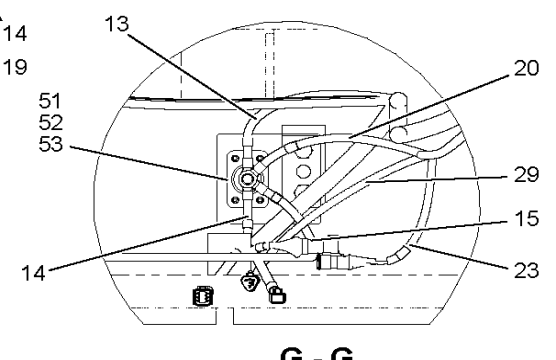
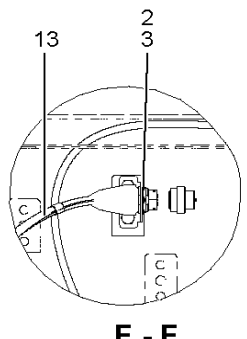
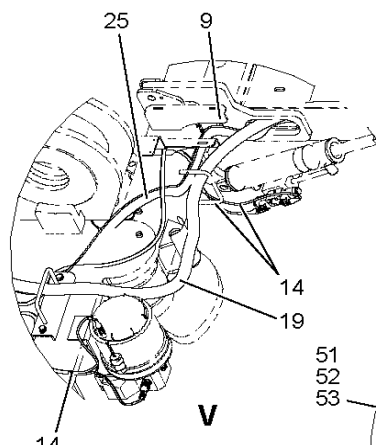
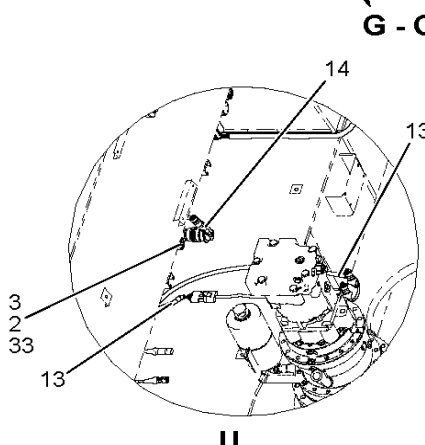
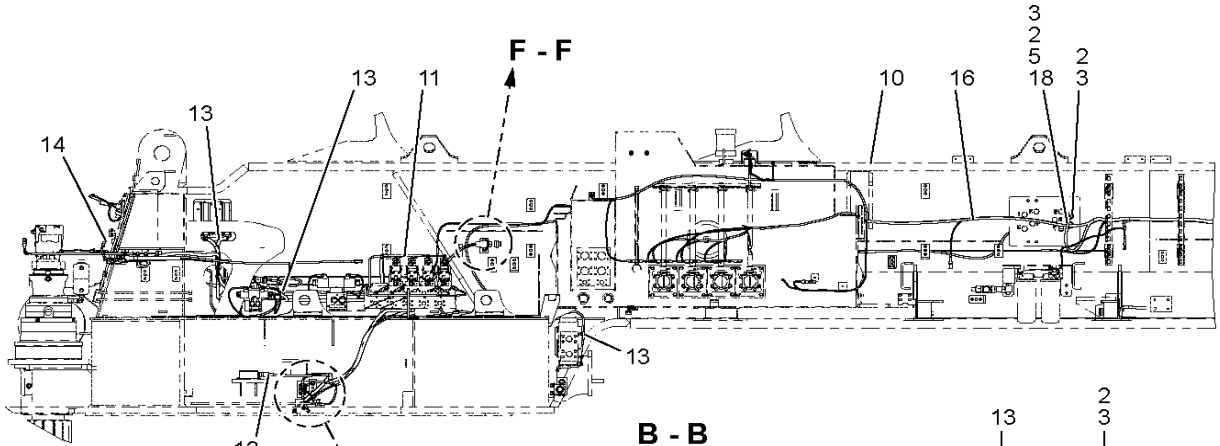
Manitowoc Cranes



Manitowoc Cranes



Manitowoc Cranes



Manitowoc Cranes

Description ESI MOUNTING ASSY				Assembly No. 81032876 Revision: R
Item	FN	Part	Qty	Description
53		810296262	1	BRACKET
54		810334472	1	BRACKET
55		810335052	1	BRACKET
56	+	81034121	1	ESI CAN RECEPTACLE MOUNT
57		810366502	1	BRACKET
58		810367332	1	BRACKET
61		A095550	1	SENSOR
64		810294122	1	BRACKET
65		810295552	2	BRACKET
66		A188472	1	ROD
67		810167612	2	DOOR, ACCESS HATCH
68		810288502	1	ROD
69		81041517	1	BRACKET
70		81041518	1	BRACKET
71		81041519	1	BRACKET
72		81041520	1	COVER
73	+	81041521	1	LIMIT SWITCH
74		7661190803	6	HEX LOCK NUT M10 -8 ISO 7040
75		810137520	1	MOUNT
76		7951190210	2	LOCK WASHER, 10MM
77		5483400	24	NUT, HEX NYLOCK
78		7111100611	24	SLOT PMS #10-24UNCX0.75 G1
79		7095020	24	F WASHER, #10 ST SAE
80		A033110	1	STRIP RUBBER
81		A033110	1	STRIP RUBBER
82		81042577	1	BRACKET SETUP TRANSCEIVER
85	+	81029825	1	KIT BASE/REMOTE 2.4 GHZ
87		7126150950	4	CAP SCREW, M6 X 14MM HEX HEAD
88		80042207	1	ELECTRIC COMPONENT MNTG CLIP
89		84046626	1	PLATE LOAD CENTER
90		7126211153	52	HHCS
91		7661150803	4	NUT NYLOC M6
92		7661210803	2	HEX LOCK NUT
93		7950140141	44	WASHER, FLAT 1/4" PLAIN NARROW

+ SEE FURTHER BREAKDOWN THIS GROUP

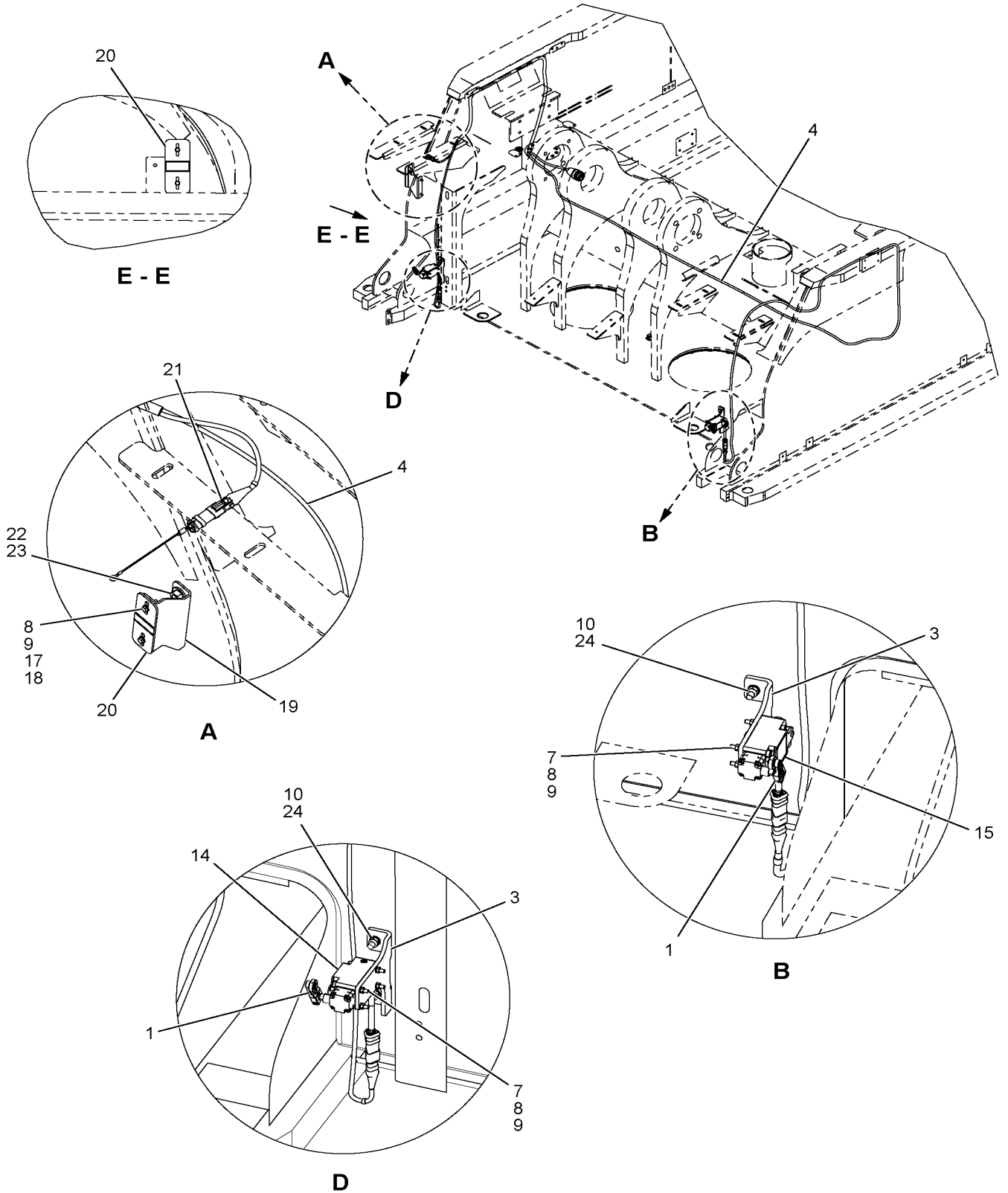
Manitowoc Cranes

Description
BRACKET W/2-289797 BUSHING

Assembly No.
1768064
Revision: **A**

Item	FN	Part	Qty	Description
2		2897970	2	BUSHING

Manitowoc Cranes



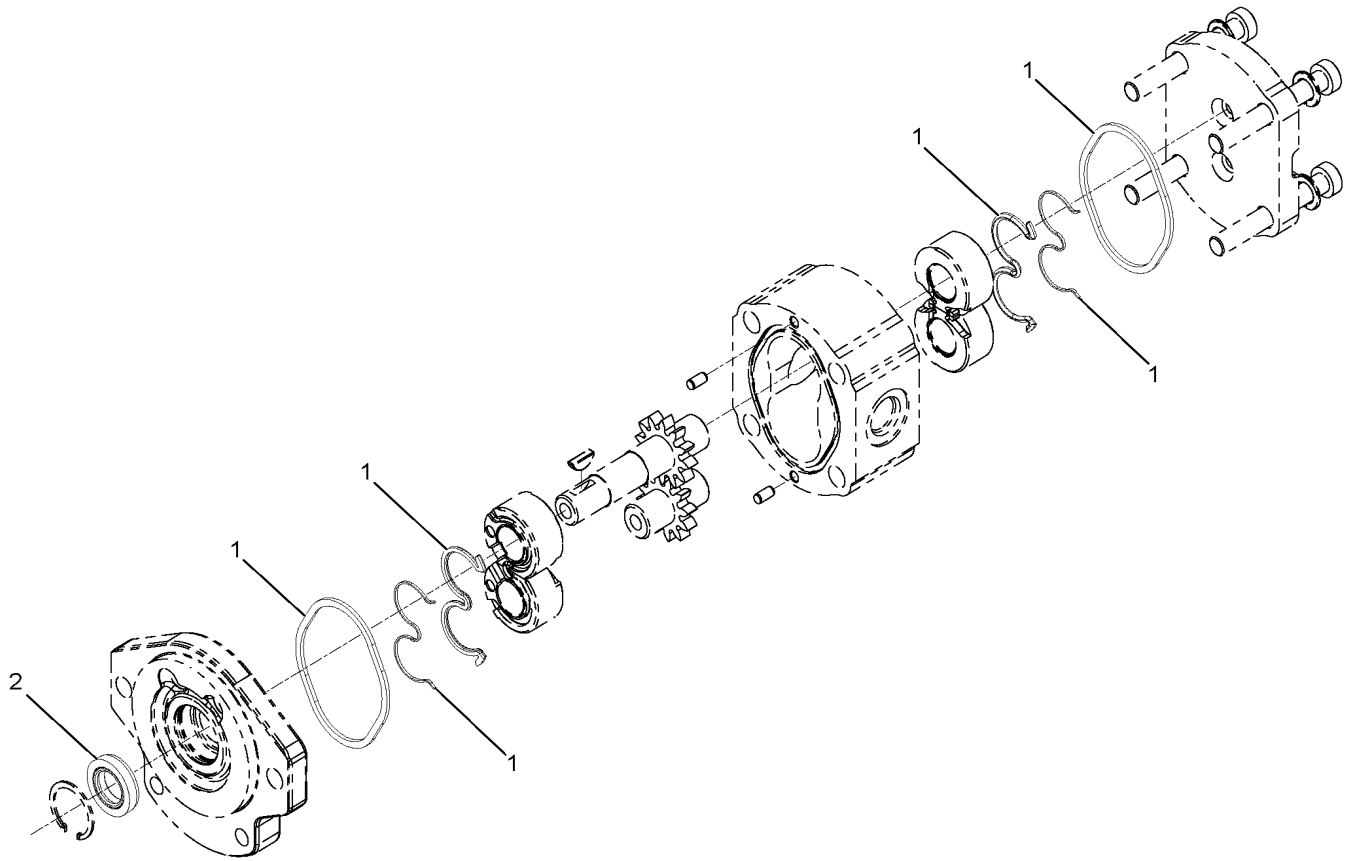
Manitowoc Cranes

Description
DECAL KIT T4F ENGINE

Assembly No.
80110905
Revision: **A**

Item	FN	Part	Qty	Description
120		810295200	1	DECAL DEF FILL INFO (1")
121		810295140	1	DECAL DANGER ULSD FUEL

Manitowoc Cranes



Manitowoc Cranes

Description

VALVE ASSY QUICK DRAIN

Assembly No.

810249430

Revision: **C**

Item	FN	Part	Qty	Description
1		3453370	1	CLAMP, WORM DRIVE
2		810249410	1	HOSE
3		810249470	1	FITTING, ADAPTER STRAIGHT QUIC

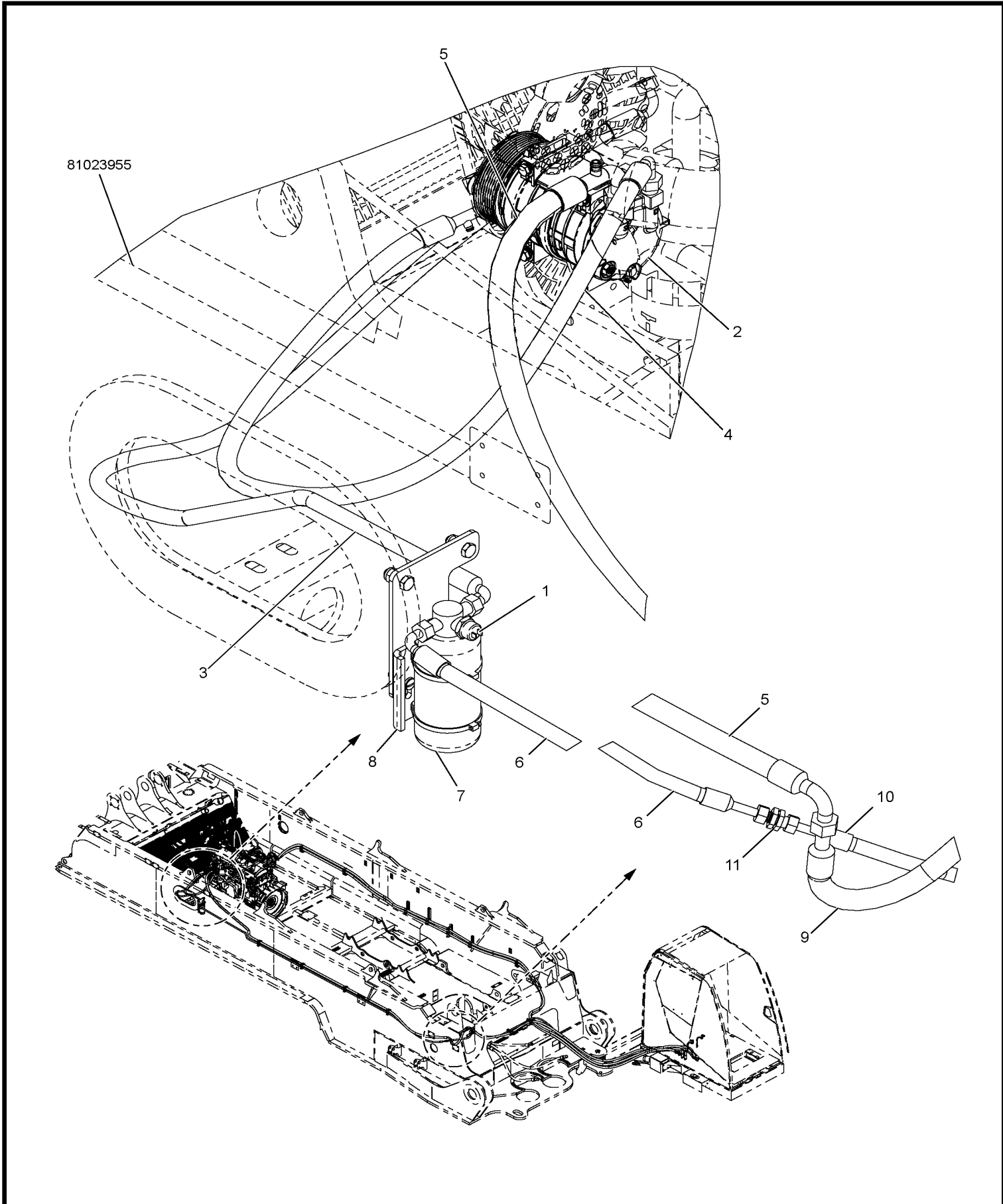
Manitowoc Cranes

Description
PANEL ENCL ASSY

Assembly No.
810295582
Revision: **B**

Item	FN	Part	Qty	Description
1		810294312	1	PANEL ENCL COOLER
2		810294752	1	BRACKET COOLER
3		81029477	1	HINGE COOLER ENCLOSURE
4		7126151053	6	CAP SCREW, M6 X 16MM HEX HEAD
5		7126151153	5	HHCS M6X20 SS ISO 4017
6		7661150003	11	NUT, HEX
7		7951150014	22	F WASHER

Manitowoc Cranes



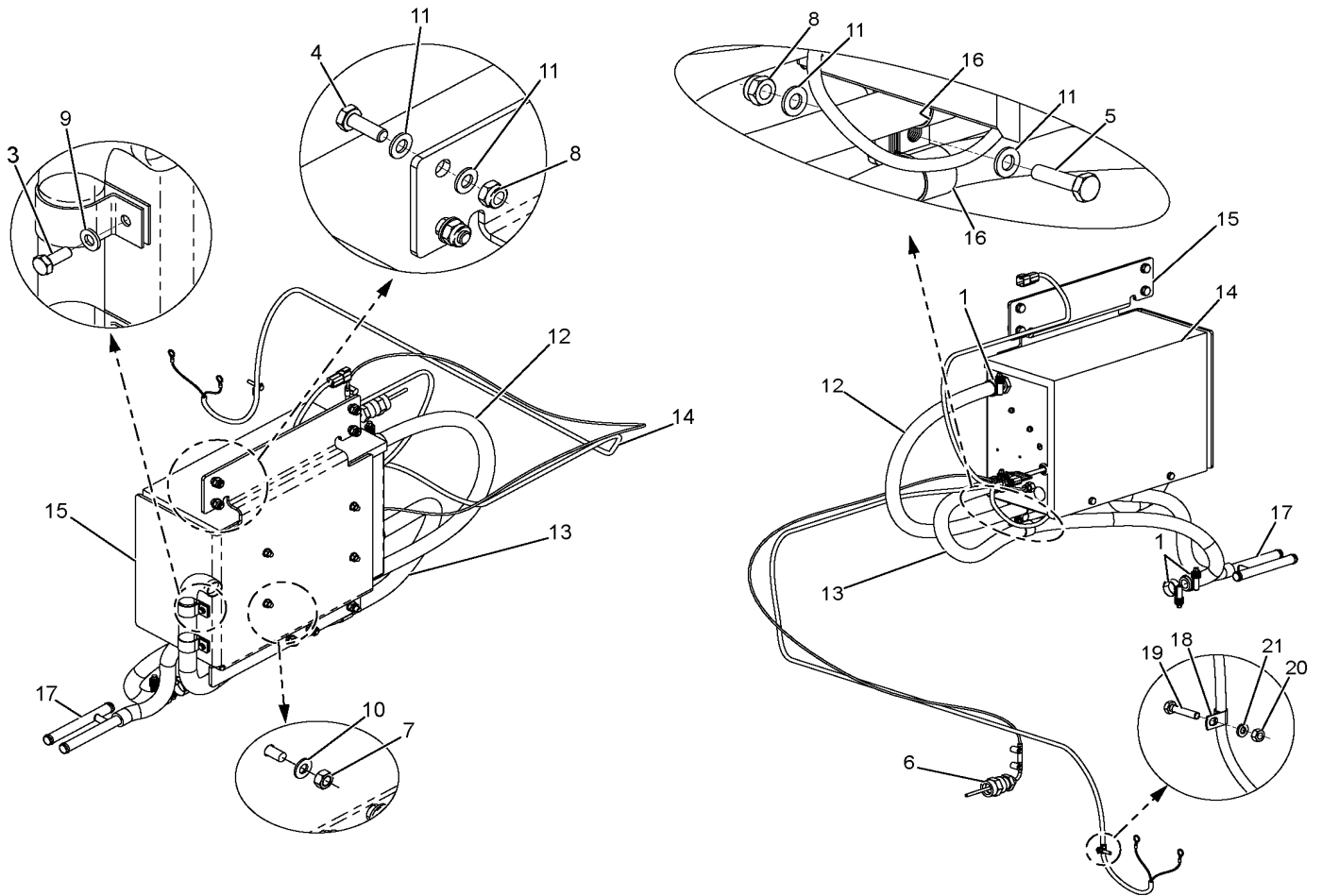
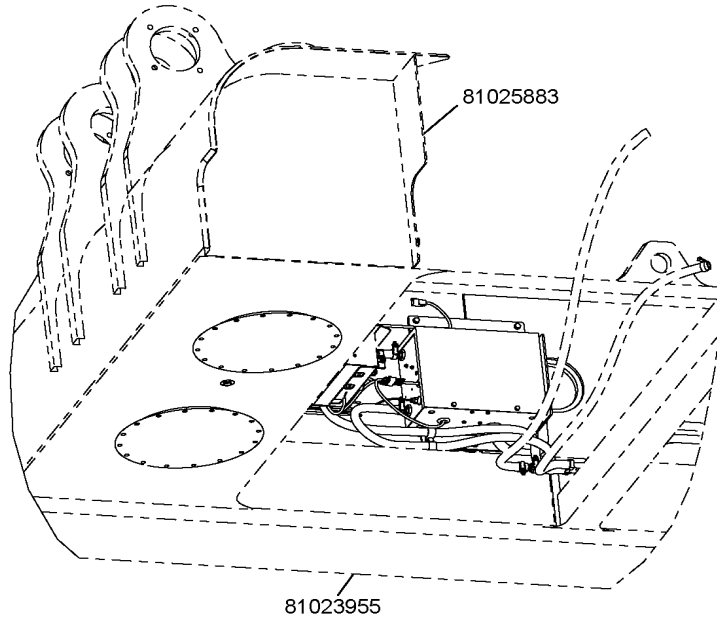
Manitowoc Cranes

Description
LANYARD

Assembly No.
810293652
Revision: B

Item	FN	Part	Qty	Description
1		810070010	1	WIRE
2		810070020	2	SLEEVE
3		A126470	1	PIN SAFETY

Manitowoc Cranes



Manitowoc Cranes

Description

JUNCTION BOX ASSY APU DC

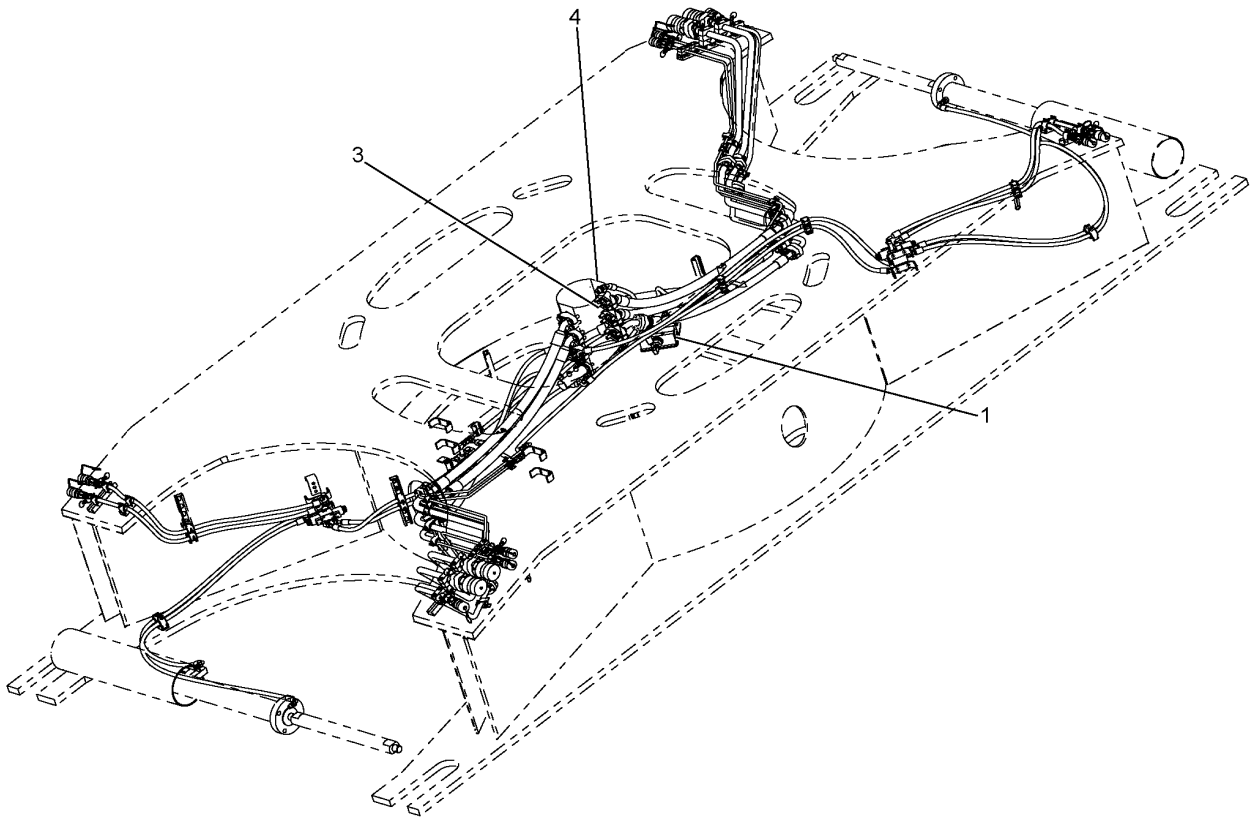
Assembly No.

81040179

Revision: **C**

Item	FN	Part	Qty	Description
1		80038357	2	CABLE LUG 3/0, 3/8" STUD
2		81026213	1	BREATHER 0.5 NPT
3		81038853	1	RECEPTACLE 2P 260A DC
4		81038854	1	HOUSING ELEC TERMINAL RED
5		81038855	1	HOUSING ELEC TERMINAL BLACK
6		81038856	2	TERMINAL CONTACT 3/0 AWG
7		81038857	1	TERMINAL BLOCK BUSHING 550A BL
8		81038858	1	TERMINAL BLOCK BUSHING 550A RE
9		81038859	1	SEAL WASHER BLACK
10		81038861	1	SEAL WASHER RED
11		81039867	1	JUNCTION BOX WELDMENT APU DC
12		81040165	1	JUNCTION BOX COVER APU DC
13		81040166	1	GASKET JUNCTION BOX APU DC
14		81040353	1	GASKET JUNCTION BOX APU DC
15		7126151153	4	HHCS M6X20 SS ISO 4017
16		7951150210	4	LOCKWASHER, 6MM I.D.
50		2967160	1	CABLE PER FOOT

Manitowoc Cranes

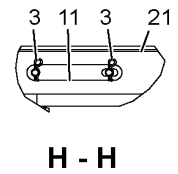
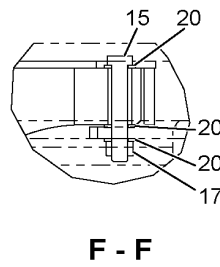
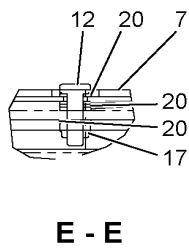
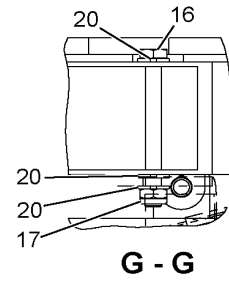
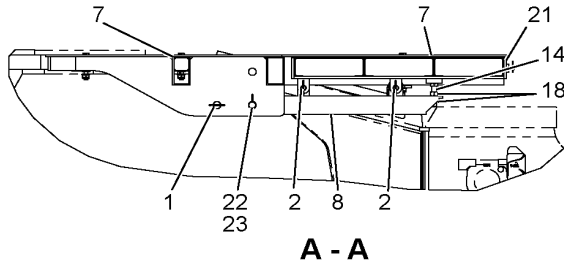
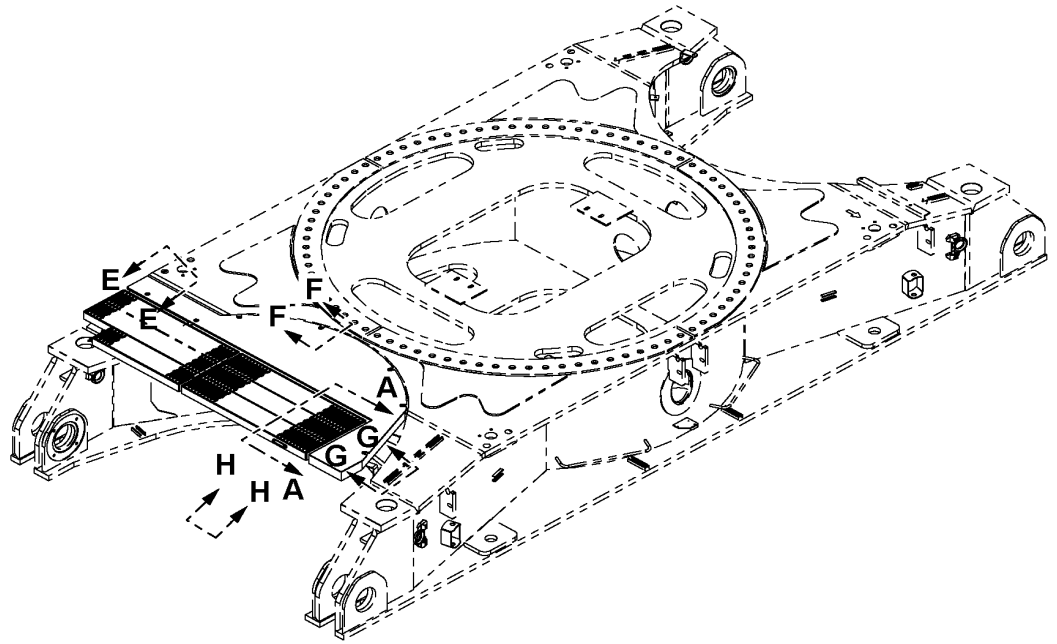


Manitowoc Cranes

Description HYD LINES INSTL CARBODY				Assembly No. 81027449 Revision: E
Item	FN	Part	Qty	Description
1		3455120	4	CLAMP TUBE
2		3455130	8	CLAMP, TUBE
3		3455160	1	CLAMP TUBE
4		4316370	5	FLANGE ASSY SPLIT CODE 62
5		4316470	5	FLANGE ASSY SPLIT CODE 62
6		4316490	8	FLANGE ASSY SPLIT CODE 62
7		810043080	4	CAP DUST
8		810052050	2	Q DISCON FITTING
9	+	810114710	4	Q DISCON FITTING
10		810114770	4	FLANGE ASSY SPLIT CODE 62
11		810270370	2	CLAMP
12		810270380	6	CLAMP
13		810271010	12	CHANNEL ANCHOR CLAMP
14		810281650	2	TUBE PREFORMED
15		810281660	2	TUBE PREFORMED
16		810281840	2	TUBE PREFORMED
17		810284290	1	TUBE PREFORMED
18		810289230	2	TUBE PREFORMED
19		810289240	2	TUBE PREFORMED
20		810289250	2	TUBE PREFORMED
21		7128191554	4	SHCS M10x40 -12.9 ISO 4762
22		7128192354	8	CAP SCREW, M10X80 HEX SOCKET
23		7447161601	2	ADAPTER, STRAIGHT
				INCLUDES THE FOLLOWING PARTS
		7755021002	1	O-RING
		7755916002	1	O-RING
24		7573606917	1	HOSE ASSY 1.00 ID X 69 LG
25		7565204526	1	HOSE ASSY CODED
26		7568405074	1	HOSE ASSY CODED
27		7568405074	1	HOSE ASSY CODED
28		7568405274	1	HOSE ASSY CODED
29		7568405374	1	HOSE ASSY CODED
30		810056490	2	CAP DUST
31		810186630	2	NAMEPLATE
32		810186650	2	NAMEPLATE
33		810186660	2	NAMEPLATE
34		810269870	2	CHANNEL
35		810281900	4	SBCS M12 X 1.75 X 50 18-8 SS
36		7661210804	4	HEX LOCK NUT
37		7951190210	8	LOCK WASHER, 10MM

+ SEE FURTHER BREAKDOWN THIS GROUP

Manitowoc Cranes



Manitowoc Cranes

Description

VALVE MANIFOLD ASSY 2 BK D03 2

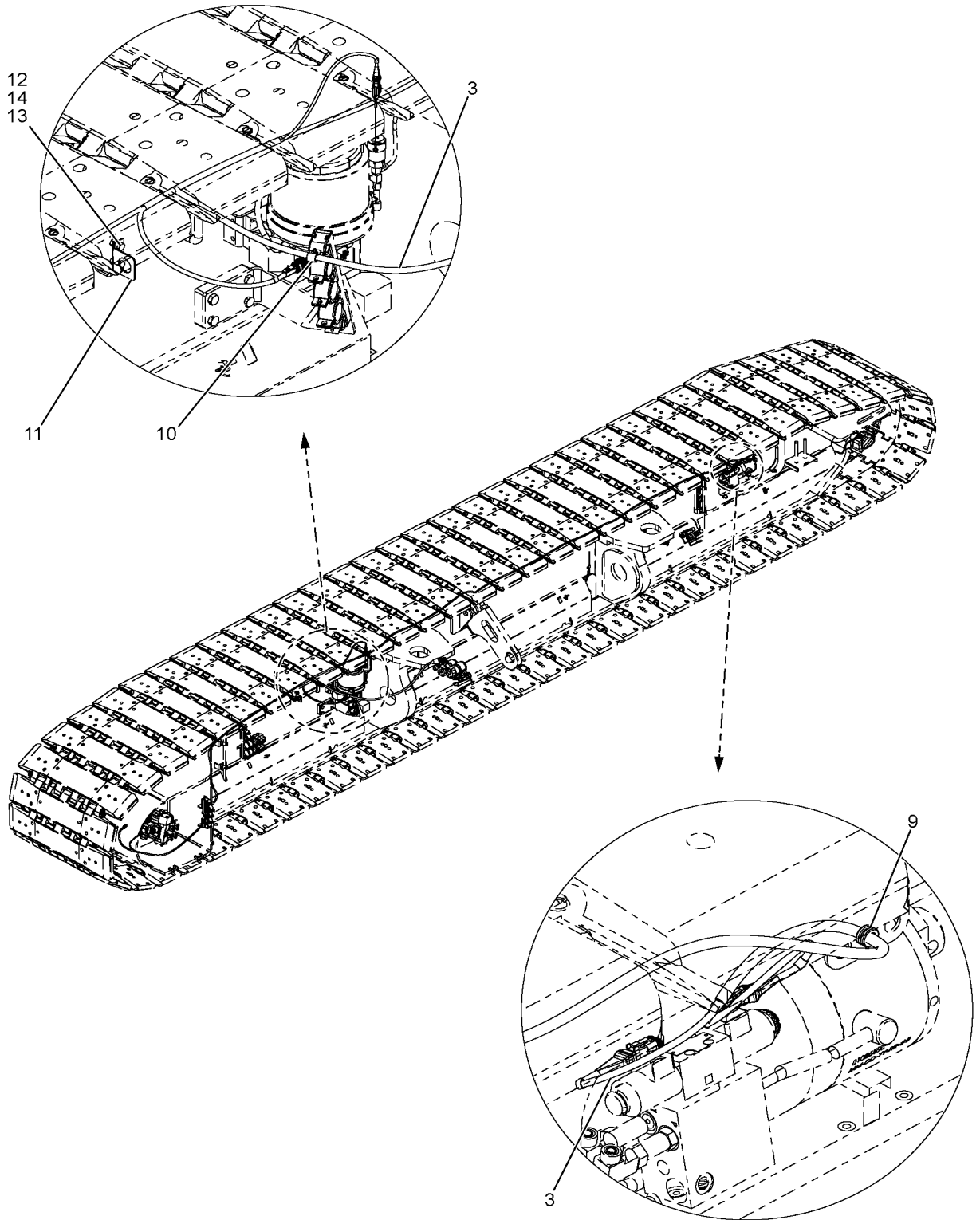
Assembly No.

810136490

Revision: B

Item	FN	Part	Qty	Description
1		7034100	1	VALVE MANIFOLD
2		810270870	2	VALVE PROPORTIONAL 3 POS, 4 WA

Manitowoc Cranes



Manitowoc Cranes

Description

PIN HOSE STOWAGE

Assembly No.

81042207

Revision: B

Item	FN	Part	Qty	Description
2		81041503	1	PIN 1 HOLE
3		7661210804	1	HEX LOCK NUT

Manitowoc Cranes

Description

CRAWLER GREASE PIPING ASSY

Assembly No.

81033911

Revision: **E**

Item	FN	Part	Qty	Description
41		810269280	1	TUBE ROUND
42		810269280	1	TUBE ROUND
43		810269280	1	TUBE ROUND
44		810269280	1	TUBE ROUND
45		810269280	1	TUBE ROUND
46		810269280	1	TUBE ROUND
47		810269280	1	TUBE ROUND
48		810269280	1	TUBE ROUND
49		810269280	1	TUBE ROUND
50		810269280	1	TUBE ROUND
51		810269320	1	TUBE ROUND
52		810269320	1	TUBE ROUND
53		810302962	1	TUBE PREFORMED
55		810338420	1	HOSE ASSY
56		810340010	1	HOSE ASSY
57		810340030	1	HOSE ASSY
58	+	810349820	1	VALVE ASSY
59		7126151653	8	CAP SCREW
60		7126171353	4	HHCS M8X30 8.8 ISO 4017
61		7661170803	4	NUT NYLOC M8
62		7951170014	4	F WASHER 8 -ST ISO 7089
63		7661150803	8	NUT NYLOC M6
64		5460530	3	NUT, HEX
65		810223090	4	SQ NUT
66		81040466	4	HHCS
67		84030447	1	COVER CRAWLER AUTO LUBE
68		84030448	2	BRACKET CRAWLER AUTO LUBE
69		84030449	1	BRACKET CRAWLER AUTO LUBE
70		7126151150	2	CAP SCREW, M6X20 HEX HEAD
71		7661150804	2	HEX LOCK NUT PA
72		4292250	4	FITTING SERVICE TEE
73		A070460	4	FITTING, GREASE
74		810110290	4	FITTING FACE BUSHING

+ SEE FURTHER BREAKDOWN THIS GROUP

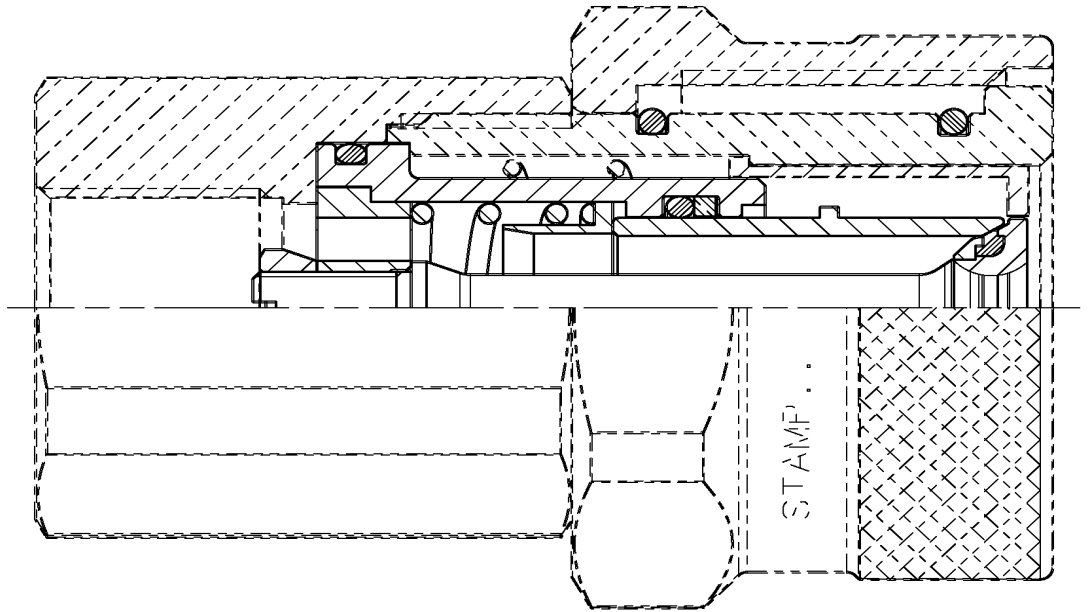
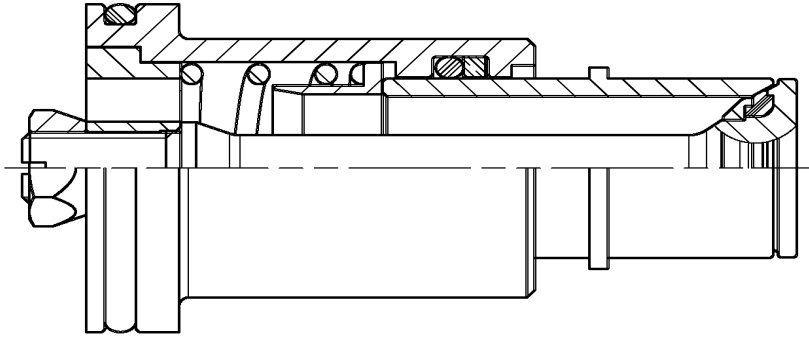
Manitowoc Cranes

Description
CRAWLER 48 INCH SHOE ASSY

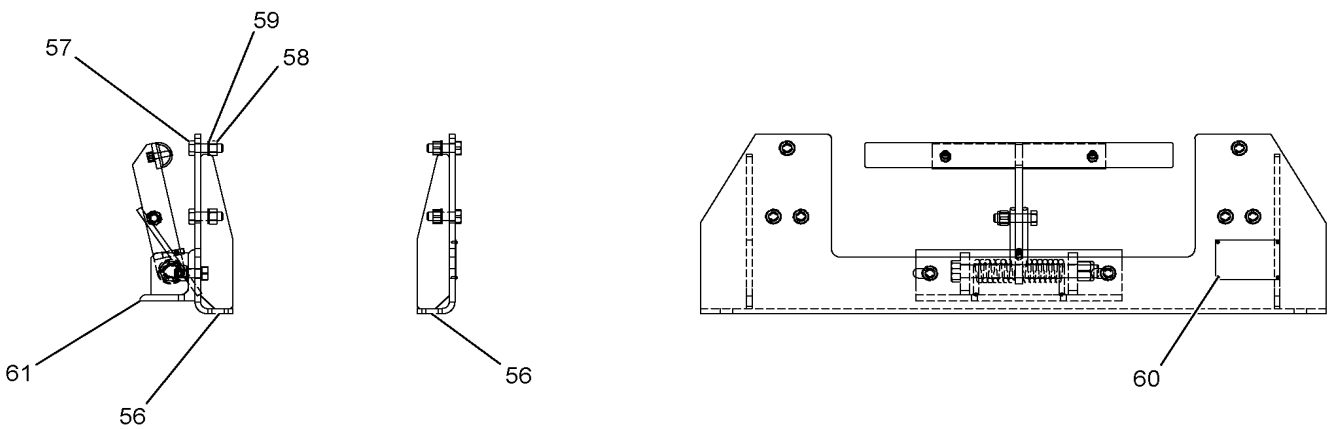
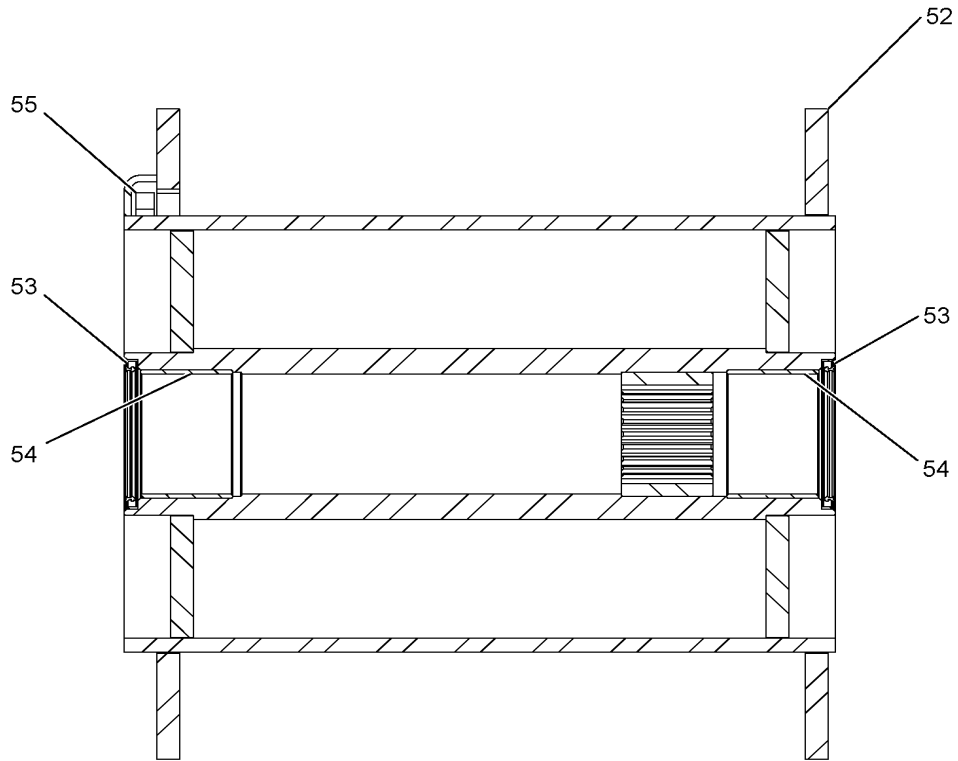
Assembly No.
81028767
 Revision: D

Item	FN	Part	Qty	Description
1		0119782	0	TREAD PIN
2		0402468	68	TREAD USE PIN DWG. 011978 INCLUDES QTY. 2 EACH OF ITEMS 1, 3 & 4 INCLUDES THE FOLLOWING PARTS
		0119782	2	TREAD PIN
		5483450	2	NUT, HEX LOCK
		6126610	2	HHCS
3		5483450	0	NUT, HEX LOCK
4		6126610	0	HHCS
5		84040356	2	LEVER LIFTING
12		84040357	1	LEVER LIFTING
13		81041218	1	PIN
14		810298562	4	BRACKET WELD CRAWLER LADDER
15		7126211553	16	HHCS M12X40 8.8 FLZN ISO 4017
16		7951210210	16	LOCK WASHER, 12MM I.D.
17		5636940	4	PIN QUICK RELEASE

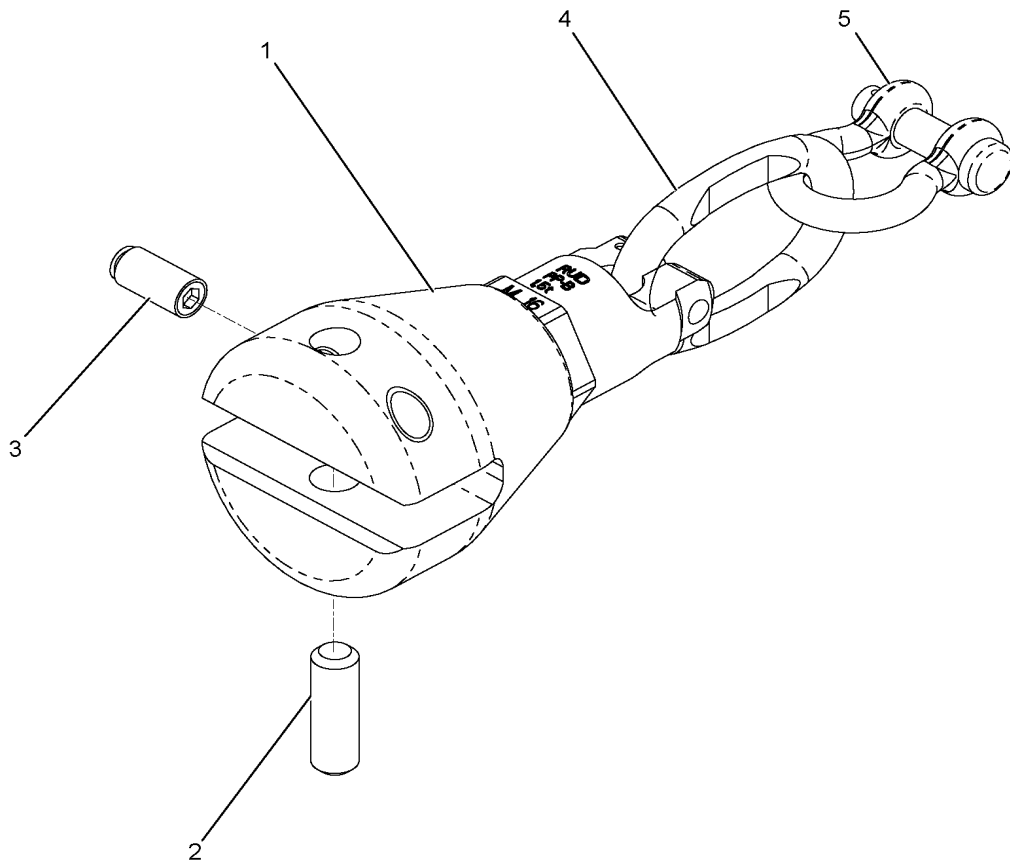
Manitowoc Cranes



Manitowoc Cranes



Manitowoc Cranes



Manitowoc Cranes

Description

CATWALK ASSY #500 12M HEAVY

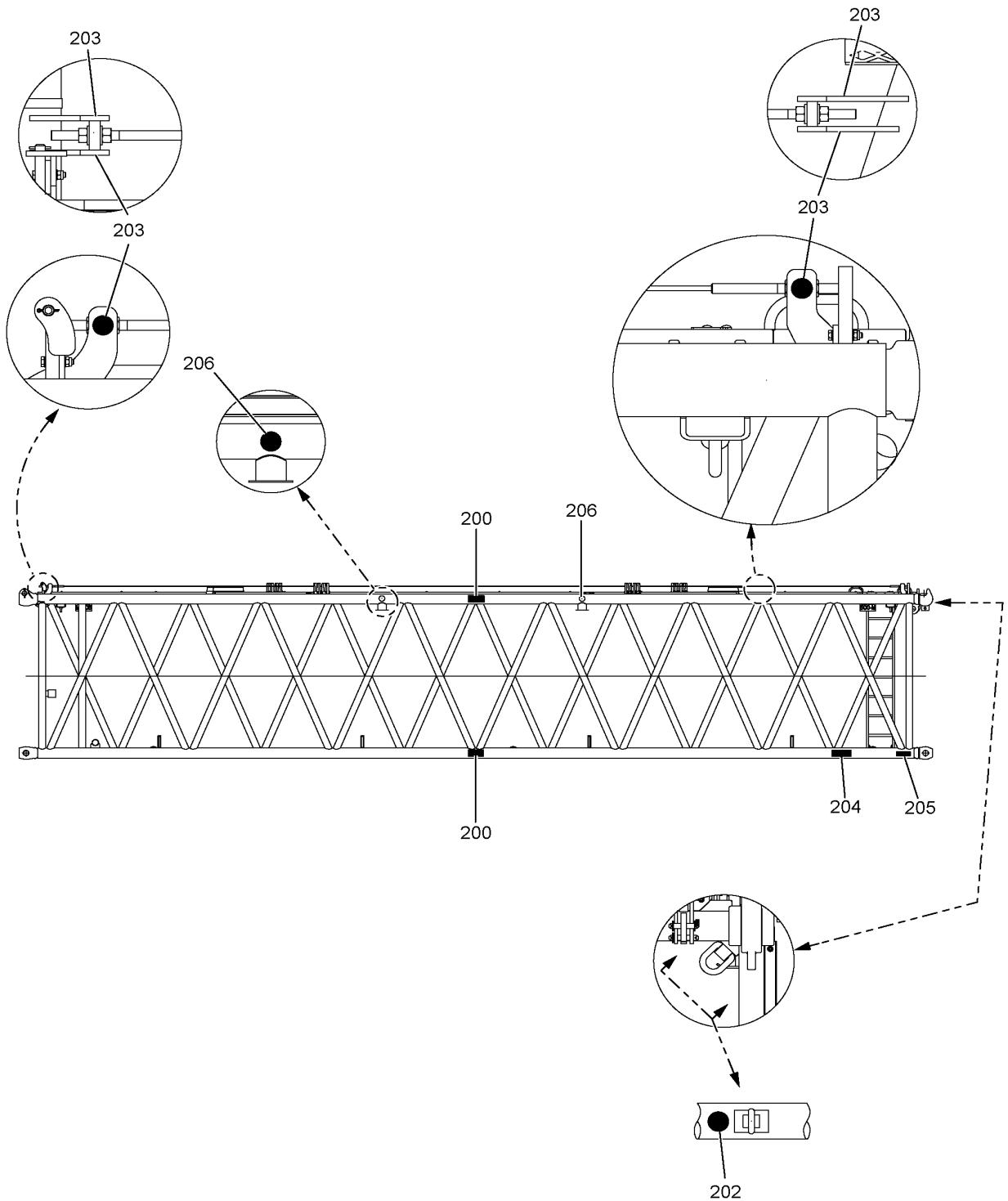
Assembly No.

810300071

Revision: **B**

Item	FN	Part	Qty	Description
1		84027007	8	HEX NUT
2		6124050	42	HHCS
3		810166910	23	WASHER SHOULDER
4		810169952	4	BRACKET
5		810266232	2	CATWALK
6		810278542	1	CATWALK
7		84031711	2	CABLE .75-10X381.50
8		810300912	2	CATWALK
9		810300922	2	CATWALK
10		810301722	1	LADDER
11		7114153664	23	C BOLT SQUARE
12		7126191450	4	HHCS M10X35 - 8.8 ISO 4014
13		7660152500	65	HEX LOCK NUT PA 5/16-18UNC SS
14		7661190803	4	HEX LOCK NUT M10 -8 ISO 7040
15		7950150141	107	F WASHER 5/16"
16		7950220141	8	F WASHER 3/4"
17		7951190014	8	F WASHER 10

Manitowoc Cranes



Manitowoc Cranes

Description

GUIDE ASSY DRUM 6 LOWER

Assembly No.

81027949

Revision: **A**

Item	FN	Part	Qty	Description
1		5621320	4	PIN COTTER
2		5638030	4	PIN WIRE LOCK
3	+	810258190	1	SHEAVE ASSY
4		810278062	1	GUIDE MACH DRUM 6 LOWER
5		810296122	2	PIN 2 HOLE 50.8 MM X 171.5 MM
6		810297312	1	PLATE KEEPER
7		810309232	1	SHAFT 129.95 X 250.0 LG
8		810309242	2	SPACER 150 X 131 X 24
9		7127271453	2	HHCS FULL THREAD
10		A065692	2	GUARD WIRE ROPE

+ SEE FURTHER BREAKDOWN THIS GROUP

Manitowoc Cranes

Description
TOP ASSY #500 10M

Assembly No.
810277190
Revision: N

Item	FN	Part	Qty	Description
42		A129452	2	COLLAR
43		A129462	2	PIN 2 HOLE
44		810254722	3	CLAMP CABLE
45		7126151150	6	CAP SCREW, M6X20 HEX HEAD
46		7661150803	6	NUT NYLOC M6
47		7951150014	12	F WASHER
48		5621720	2	PIN COTTER
49		84026091	2	PIN 2 HOLE
50		A165342	2	PIN 1 HOLE W/HD
51		84023912	2	PLATE 6X80X80
52		7126191353	4	HHCS M10X30 8.8 FLZN ISO 4017
53		5620640	2	PIN COTTER

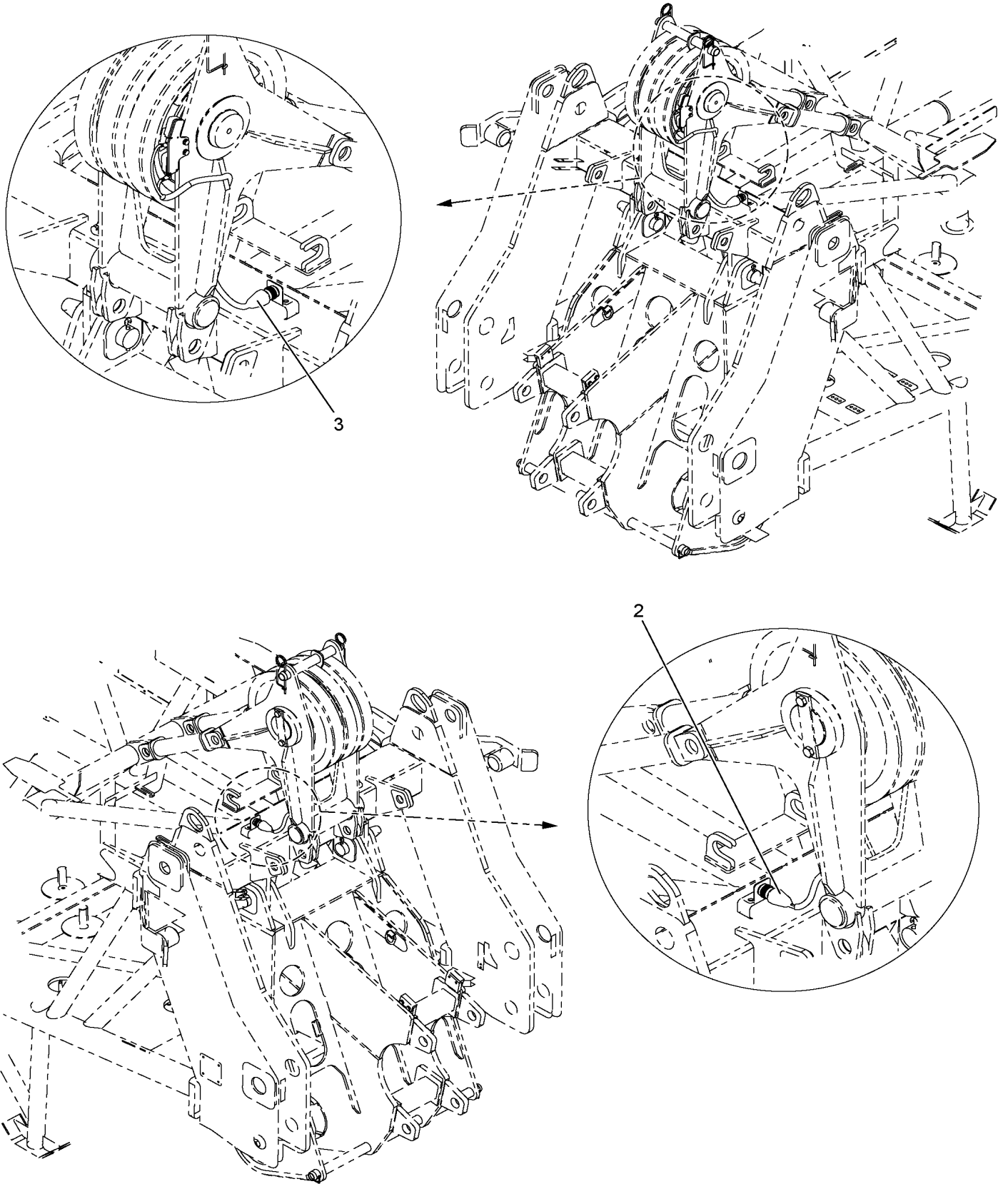
Manitowoc Cranes

Description
SWITCH LIMIT ASSY

Assembly No.
810238652
Revision: **C**

Item	FN	Part	Qty	Description
1		3643870	1	CONNECTOR MALE 3-POLE DEUTSCH
2		4716820	1	CONNECTOR, GRIP CORD 7/16" BO
3		5726060	1	PLUG WEDGE LOCK DEUTSCH W3P
4		6806940	3	TERMINAL, PIN
5		810161270	1	SWITCH, LIMIT
6		810070200	1	TUBING
20		2971820	2	CABLE, SHIELDED
21		2972110	1	CABLE, WIRE

Manitowoc Cranes



Manitowoc Cranes

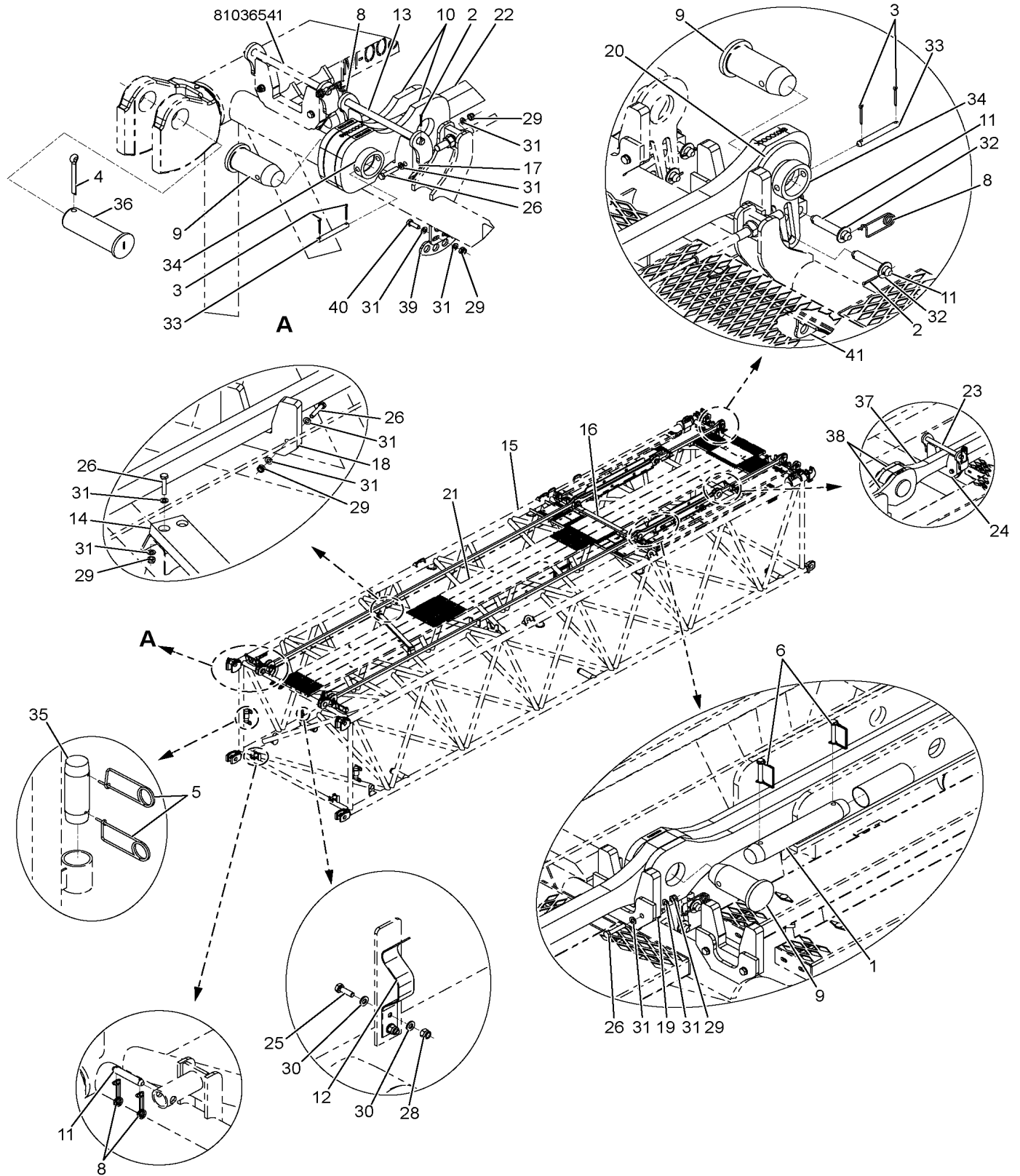
Description
SHEAVE ASSY #500 LOWER POINT

Assembly No.
81034795
Revision: C

Item	FN	Part	Qty	Description
1		1715852	3	SHIM
2		1715862	1	SHIM
3	+	81027766	2	SHEAVE BANK ASSY #500 LOWER PT

+ SEE FURTHER BREAKDOWN THIS GROUP

Manitowoc Cranes



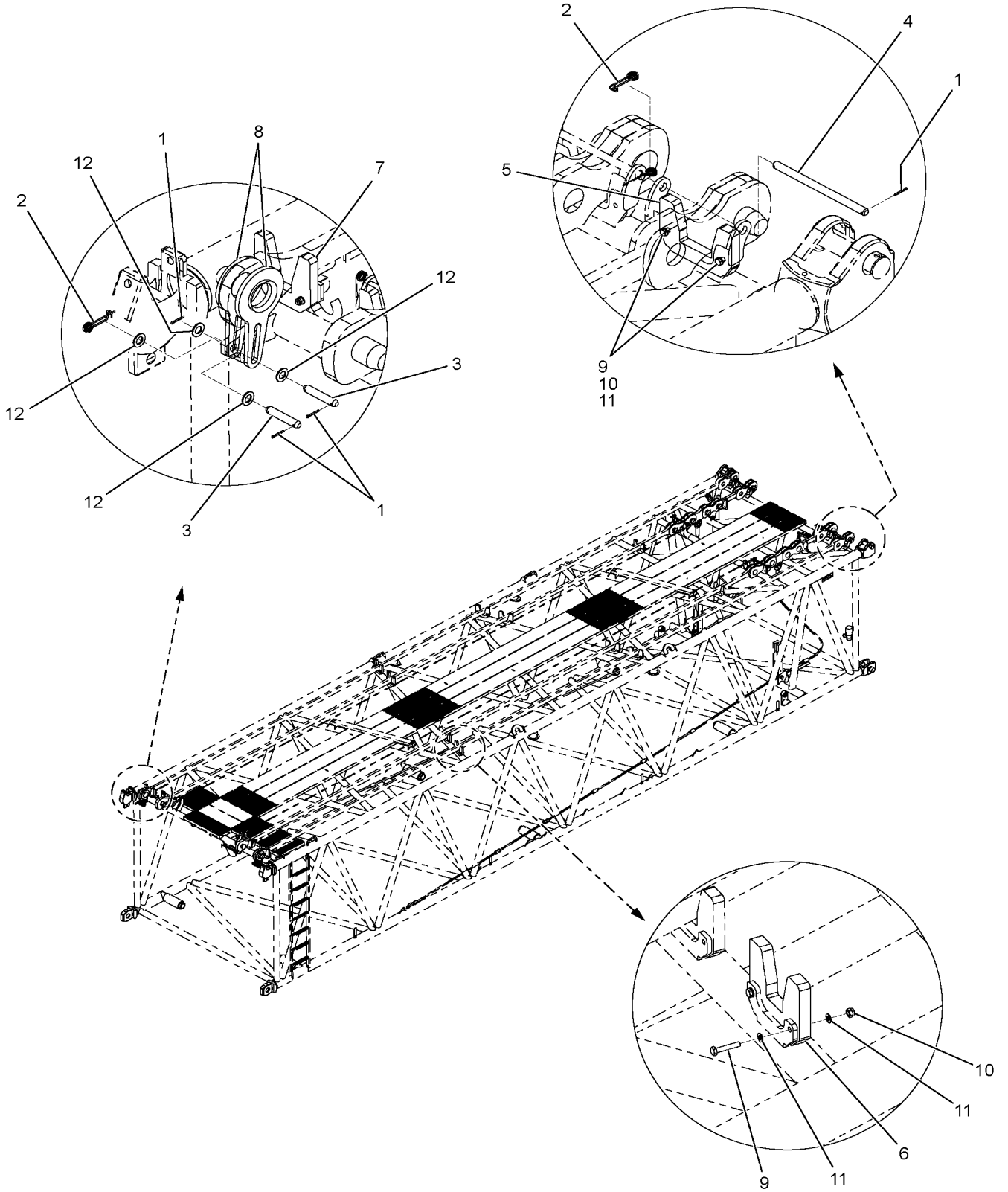
Manitowoc Cranes

Description
LINK ASSY A2B

Assembly No.
80103460
Revision: **B**

Item	FN	Part	Qty	Description
1		0936572	1	BLOCK
2		1424032	1	WEIGHT
3		3341010	24	CHAIN
4		5621710	1	PIN COTTER
5		6246330	4	SHACKLE
6		80102833	1	LINK CROSS, 58.8 DIA HOLE
7		810347192	1	WEIGHT LIMIT SWITCH
8		A106702	1	PIN 1 HOLE W/HD

Manitowoc Cranes



Manitowoc Cranes

Description
LEVER ASSY

Assembly No.
1770804
Revision: **C**

Item	FN	Part	Qty	Description
1		177080001	1	LEVER
2		0700912	1	BUSHING
3		4292590	1	FITTING, GREASE
4		5467630	1	NUT, HEX JAM
5		6124540	1	SCREW, HEX CAP

Manitowoc Cranes

Alphabetical Index	Appendix A	
Description	Part	Page
AIR COND ASSY KIT OUTSIDE CAB	810287752	855
ALARM	810018650	375, 751
ANTENNA	80097758	769
ANTENNAE, RADIO	2982290	33, 189
ARM	810281632	291
	810292372	291
	810302632	241
ARM PAD ASSEMBLY	90025466	7, 163
ARM REST WITH BRACKET (LH)	90025470	7, 163
ARM REST WITH BRACKET (RH)	90025471	7, 163
ASHTRAY	A002590	33, 189
BAR 50.8X1320.8 NYL	84045998	141
BAR RD DOOR LATCH STRIKER	A030010	15, 171
BAR SHORT 44.0 X 25.4 X 6.35	81032427	735
BASE, ANGLE	90024345	1030
BASE, SWITCH MOUNTING	6727500	758
	A096020	58, 214, 775, 777
BATTERY	810006580	851
	810230470	67, 223
BATTERY 3.6V 1.2AH NIMH	810305630	769
BATTERY BOX	810226970	67, 223
BATTERY CABLE NEGATIVE	84023089	851
BATTERY CABLE POSITIVE	84023090	851
BATTERY CHARGER	810305640	769
BATTERY TERMINAL SPRAY	9999102423	785
BEARING	2250190	1185
	2254890	73, 229
	9974102295	1030
BEARING BALL	A029790	19, 175
	A095180	821
BEARING LOCK WASHER	2251110	1187
BEARING LOCKNUT	2251050	1187
BEARING ROLLER	2250650	1069, 1079, 1083, 1087, 1113
BEARING SPHERICAL ROLLER	A030040	15, 171
BEARING TAPER ROLLER	810266960	369
BEARING, BALL	2241950	1003
BEARING, SPHERICAL ROLLER	2256650	443, 481, 517
BEZEL, L-SERIES 4 GANG LM4	7364100180	58, 214
BEZEL, L-SERIES 6 GANG LM6	7364100182	58, 214
BKT RIGGING WINCH 6MM ZINC RIC	A128380	1059
BLOCK	0936572	1155, 1177
	810180540	903

From - AIR COND ASSY KIT OUTSIDE CAB

To - BLOCK

Manitowoc Cranes

Alphabetical Index	Appendix A	
Description	Part	Page
COIL, HEATER	9515220018	41, 197
COLLAR	810263552	903
	810296892	1089
	A118002	1047, 1089, 1135, 1143, 1149, 1157, 1163
	A129452	1090
	A140712	433
CONNECTOR ELECTRICAL	A026560	75, 231
CONNECTOR MALE 3-POLE DEUTSCH	3643870	379, 381, 473, 529, 755, 767, 781, 783, 1103, 1183
CONNECTOR PLATE	81039257	591
	A125900	594
	A125910	504
	A125950	603
CONNECTOR, GRIP CORD 7/16" BO	4716820	379, 381, 755, 767, 1103, 1109, 1183
CONNECTOR, 2 POLE SHROUD	3642210	5
CONNECTOR, BULKHEAD	A019730	23, 179
CONSOLE CONTROL ASSY CAB	81024521	3, 159
CONSOLE LEFT HAND	A024822	49, 205
CONSOLE LEFT HAND ASSY	81019747	45, 201
CONSOLE RIGHT HAND	A024809	58, 214
CONSOLE RIGHT HAND ASSY	81037044	45, 201
CONTROL KIT	90040288	809, 815
CONTROLLER	80050812	49, 205
	A030150	49, 205
CONTROLLER IOL	80069037	751
CONTROLLER IOS	80069036	63, 219, 907
CONTROLLER SCM	80069038	63, 219, 1095
CONTROLLER, JOYSTICK	A024680	49, 205
COOLER ASSY	81040287	837
COUNTERWEIGHT FRAME MACHINING	810289712	433
COUNTERWEIGHT TRAY	810240512	433
COUPLING PIPE	3772000	497
	3774000	827
COUPLING SLEEVE	810259560	907
COUPLING, DRIVE	90024331	1029
COUPLING, DUST CAP	3753040	319
COUPLING, PLUG	3753030	319
COVER	1622712	1099, 1179
	1770022	319
	810296012	153
	81041520	752
	A121332	851
COVER ASSY ENCLOSURE	810324152	865

From - COIL, HEATER

To - COVER ASSY ENCLOSURE

Manitowoc Cranes

Alphabetical Index	Appendix A	
Description	Part	Page
GREASE PIPING ASSY AUTOLUBE	81033912	949
GRIP, CORD	4717170	473, 529, 735, 781, 783
GROMMET	4720140 9515220021	23, 154, 179, 897 41, 197
GROMMET .4375 DIA HOLE	84025285	961
GUARD	1687762 810265622 810265632 810265642 810274150 810293802 810295042 810297802 810300492 810357752	1003 981 981 981 383 1111 291 1121 411 981
GUARD ASSY ROLLER	81042257	419
GUARD ASSY VPC	810300471	367
GUARD ASSY VPC ROLLERS	81042177	367
GUARD ASSY VPC WEAR PAD	810293281	367
GUARD LEVEL SENSOR	84020675	320
GUARD SENSOR	84020540	320
GUARD TERM BLOCK 3 STUD	81038909	891
GUARD VPC ROLLER	81042186	421
GUARD WIRE ROPE	A065692	1067, 1077
GUIDE	810263472	903
GUIDE ASSY	810280071 810296271	1023 1047
GUIDE MACH DRUM 2,3 LOWER	810290232	1081
GUIDE MACH DRUM 6 LOWER	810278062	1077
GUIDE MACH DRUM 6 UPPER	810279472	1067
GUIDE MACH FRAME UPPER LH	810310712	1085
GUIDE MACH FRAME UPPER RH	810296292	1085
GUIDE RAIL SET 6" W/9" HANDLE	9730200009	7, 163
GUIDE VPC TROLLEY INSTL	810347642	353
GUIDE WIRE ROPE	810277682 810280092	1111 1033
GUIDE WIRE ROPE ASSY	810277671	1089
GUIDE, PISTON	9372220304	293
HANDLE	810332952	863
HANDLE CLAMPING M6X1 35MM	81035515	735
HANDLE VALVE OPERATOR	84020875 84020885	320 320
HANDLE, DOOR ENCLOSURE	A024770	19, 175
HANDLE, GRAB DOOR INSIDE	A030630	19, 175

From - GREASE PIPING ASSY AUTOLUBE

To - HANDLE, GRAB DOOR INSIDE

Manitowoc Cranes

Alphabetical Index	Appendix A	
Description	Part	Page
INSULATION, LEFT FRONT	A025500	35, 191
INSULATION, LEFT REAR	A025510	35, 191
INSULATION, LOCKER DOOR	A032070	35, 191
INSULATION, REAR	A025570	35, 191
	A025580	35, 191
	A025590	35, 191
	A025740	35, 191
INSULATION, REAR TOP	A025560	35, 191
INSULATION, RIGHT FRONT	A025520	35, 191
INSULATION, RIGHT MIDDLE	A025530	35, 191
INSULATION, RIGHT REAR	A025540	35, 191
INSULATION, RIGHT REAR TOP	A025550	35, 191
INSULATOR	4930550	63, 219
INSULATOR HEAT BARRIER	81042381	827
	81042383	827
	81042384	827
	81042385	827
INTERIOR EQUIP CAB AIR DUCTS	810218752	9, 165
INTERIOR EQUIP CAB ASSY	81021876	9, 165
JACK CYL ASSY CARBODY	84032560	897
JACK CYL ASSY LOWERWORKS	81027972	937
JOG DIAL	03142615	57, 213
JOINT, BALL FEMALE	A026970	19, 175
JOYSTICK-SINGLE AXIS	80084621	57, 213
JOYSTICK-SINGLE AXIS 15 DEG L	80084619	57, 213
JOYSTICK-SINGLE AXIS 15 DEG R	80084622	57, 213
JOYSTICK-SINGLE AXIS TRAVEL	80084623	57, 213
JUNCTION BOX ASSY APU DC	81040179	891
JUNCTION BOX COVER APU DC	81040165	895
JUNCTION BOX DC LOAD CENTER	84036350	751
JUNCTION BOX HOLE CUTOUT	81024690	758
JUNCTION BOX WELDMENT APU DC	81039867	895
KEY	4989340	351
KIT AIR COND DRAIN DIVERSION	A088850	855
KIT BASE/REMOTE 2.4 GHZ	81029825	752
KIT D07 SEAL RETAINER	84022169	573
KIT SELF ASSY RIGGING	81038439	327
KIT, BOLT	9926220197	683
KIT, CABLE HOLD DOWN	90024347	1030
KIT, CARTRIDGE	810120190	613, 663, 675, 971
	90021777	361, 429, 499, 507, 515, 541, 597, 695, 931

From - INSULATION, LEFT FRONT

To - KIT, CARTRIDGE

Manitowoc Cranes

Alphabetical Index	Appendix A	
Description	Part	Page
PIN SAFETY	5638230	353, 409, 1081, 1085, 1171, 1175, 1177
	5638250	417
	810165950	953
	810282382	1001
	810335630	1023
	A066560	275, 323, 1033
	A126470	235, 247, 251, 255, 259, 261, 275, 517, 718, 869, 897
PIN SAFETY .25 DIA X 2.50 LG	810284270	1095
PIN SHEAR	A115672	107
PIN SPRING SLOT	5640380	73, 229
PIN SPRING, 6.0 DIA X 40	84020129	320
PIN THREADED 12.7 DIA X 41 LG	810296472	413
PIN W/COTTER	9914100033	1141
PIN W/HD 35.0 DIA X 166.0 LG	81040018	1189
PIN W/HD 35.0 DIA X 186.0 LG	81040017	1189
PIN W/HD 70.0 DIA X 133.0 LG	810296252	367
PIN WIRE LOCK	5638030	1067, 1077, 1143
	810138560	1189
PIN WITH HEAD	810362840	517
	81041254	517
PIN WITH HEAD 15.0 DIA X 47.0	81039225	1189
PIN WITH HEAD 15.9 DIA X 48.0	84028293	1191
PIN WITH HEAD 180.0 DIA X 296.	84033839	903
PIN WITH HEAD 20.0 DIA X 167.5	81040691	1191
PIN WITH HEAD 26.0 DIA X 63.5	81039224	1189
PIN WITH HEAD 30.0 DIA X 87.0	81039221	1189
PIN WITH HEAD 40.0 DIA X 47.0	81039228	1189
PIN WITH HEAD 9.5 X 82.5	84036435	431
PIN, (NO HOLES) WITH HEAD	1687742	1003
PIN, COTTER	5620430	267, 433
	5620440	245, 409, 467, 525, 1033
	5621510	241
	9826220007	1073
PIN, COTTER (3/8X3-1/2)	9539220048	341, 345
PIN, DOWEL ROLL	3964010	763
	A030330	21, 177
PIN, HAIR COTTER	5637900	267, 409, 413, 1189
	5638170	153, 327, 353, 409, 881, 1189, 1191
PIN, QUICK RELEASE	2981220	21, 177
	5639120	245
PIN, SAFETY	5638710	153, 941, 1105, 1121, 1189

From - PIN SAFETY

To - PIN, SAFETY

Manitowoc Cranes

Alphabetical Index	Appendix A	
Description	Part	Page
SHELF, REAR	A028190	31, 187
SHIM	0735622	953
	1707742	953
	1715852	1123, 1129
	1715862	1123, 1129
	1718779	467
	810285252	517
	81036660	315
	A063430	525
SHIM NYLON 1.0 MM	81040577	1189
SHIM NYLON 3.2 MM	81040574	1189
SHIM NYLON 4.8 MM	81040648	1189
	81041359	1189
SHIM 3.2 MM	81040649	1189
SHIM 4.0X90.0X135.0	84046413	242
SHIM 6.0X90.0X135.0	84046416	242
SHIM CRAWLER ADJUST 0.5"	810303012	953
SHIM CRAWLER ADJUST 1.0"	810303002	953
SHIM EQUALIZER SUPPORT	81041949	1171
SHIM LIVE MAST STOWAGE	80115092	1191
SHIM NYLON 1.0 MM	81040650	1189
SHIM NYLON 9.5 MM	81041361	1189
SHIM PACK	810280212	413
	A062202	153
SHSS	A029740	19, 175
SHSS 10 X 10 GR 12.9 ISO 7379	7128190758	367
SHSS 8X10 12.9 ISO 7379	7128170758	285
SHUTTLE VALVE 350 BAR 10 L/MIN	810296000	573
SHUTTLE VALVE ASSEMBLY	90038631	451, 475, 519
SIGN BOOM MANITOWOC 790 X 3070	810088290	1089
SLEEVE	810070020	235, 247, 251, 255, 259, 261, 263, 265, 267, 269, 273, 277, 283, 313, 411, 741, 869, 1095, 1105, 1177
SLEEVE .38 WOVEN WRAP SPLIT	810334050	437
SLEEVE 199.92 88.9	810258210	1069, 1079, 1083, 1087, 1113
SLEEVE 200.0 OD X 127.1 ID	84028419	1125
SLEEVE 210 76.2	810262020	311, 317
SLEEVE OVAL AL	81007002	323, 431
SLEWING RING BRG	A105630	107
SLING 13.0 (FT) 40000(LB)	84026655	329
SLIP RING ASSY 5 CONDUCTOR	84032299	907
SLOT FMS	6161640	73, 229

From - SHELF, REAR

To - SLOT FMS

Manitowoc Cranes

Alphabetical Index	Appendix A	
Description	Part	Page
WIRING HARNESS WBU1	81034287	1177
WIRING HARNESS WCE1	810339750	295
WIRING HARNESS WCE2	810360650	741
WIRING HARNESS WCE4	81028389	735
WIRING HARNESS WCR1	81039817	58, 214
WIRING HARNESS WCR5	81036913	58, 214
WIRING HARNESS WEE1	84023847	785
WIRING HARNESS WEE3	84023848	785
WIRING HARNESS WEH1	810301670	785
WIRING HARNESS WLC1	84023521	907
WIRING HARNESS WMB1A	84034761	741
WIRING HARNESS WRB1	84029885	741
WIRING HARNESS WRB2	81041279	779
WIRING HARNESS WRC1	810266640	741
WIRING HARNESS WRC3E	810351600	741
WIRING HARNESS WRC5	810334730	741
WIRING HARNESS WRC6	810334720	741
WIRING HARNESS WRF2	810335370	741
WIRING HARNESS WRF4	80103864	725
WIRING HARNESS WRL1	84025248	741
WIRING HARNESS WRL2	810266660	741
WIRING HARNESS WRL3	84029887	741
WIRING HARNESS WRR1	84024005	741
WIRING HARNESS WRR2	81024892	741
WIRING HARNESS WRR3	84040417	363
WIRING HARNESS WVB1	84038502	387
WIRING HARNESS WVB5	84040418	387
WIRING HARNESS WVT1	81041374	373
WIRING HARNESS WVT5	84040419	373
WRENCH STRAP	84044204	327
YOKE ASSY	A094150	821
YOKE, OVAL SHIFT	90024335	1030

From - WIRING HARNESS WBU1

To - YOKE, OVAL SHIFT

CLICK HERE TO **DOWNLOAD** THE COMPLETE MANUAL

- Thank you very much for reading the preview of the manual.
- You can download the complete manual from: www.heydownloads.com by clicking the link below



- Please note: If there is no response to CLICKING the link, please download this PDF first and then click on it.

CLICK HERE TO **DOWNLOAD** THE COMPLETE MANUAL