

# Manitowoc Cranes MACHINE COMPONENT INDEX

Date: August 09, 2021

Rev: 002

<u>Model Number</u> MLC300		<u>Serial Number</u> 3001113	
Item	Part	Description	Page
		<b>ROTATING STRUCTURE</b>	
1	81021912	CAB ASSY 24V CCS	3
	81022373	SEAT ASSY CAB	5
	810243544	CAB ASSY	7
	810218742	EXTERIOR EQUIP CAB ASSY	13
	81021878	DOOR ASSY CAB	17
	81021879	WINDOW ASSY CAB	19
	810219011	WINDSHIELD WIPER ASSY CAB	21
	A027140	ROLLER ASSY CAB DOOR FRONT TRO	23
	810302802	BRAKE ASSY CAB DOOR BRAKE	25
	A037000	ROLLER ASSY	27
	810218752	INTERIOR EQUIP CAB AIR DUCTS	29
	81021876	INTERIOR EQUIP CAB ASSY	31
	810218772	INSULATION ASSY CAB	33
	80113630	HVAC ASSY CAB	35
	84039648	HVAC KIT CAB INSIDE PARTS	37
	90046833	PEDESTAL UNIT	39
	810223752	MAT FLOOR ASSY CAB	41
	80113624	CONSOLE CONTROL ASSY CAB	43
	81019747	CONSOLE LEFT HAND ASSY	47
	A024680	CONTROLLER, JOYSTICK	51
	80123310	LIGHT ASSY CONSOLE BACKLIGHT	53
	81037044	CONSOLE RIGHT HAND ASSY	57
	84054782	DISPLAY CCS COLOR	61
	810240861	ESI CONSOLE RIGHT HAND	63
	A032981	ACCESSORY RADIO ASSY	65
	81036291	ESI R CONSOLE RECPT	67
	81039868	ESI CAN RECEPTACLE MOUNT	69
	80123310	LIGHT ASSY CONSOLE BACKLIGHT	71
	A02019	FOOT PEDAL ASSY THROTTLE CONTR	73
	81025906	ESI CAB INTERIOR WIRING	75
	80125411	ESI RCL LIGHT	77
1	80116194	VPC ROT BED WELD/MACHINE	79
	80115554	ROTATING BED VPC COMPONENTS	81

CLICK HERE TO **DOWNLOAD** THE COMPLETE MANUAL

- Thank you very much for reading the preview of the manual.
- You can download the complete manual from: [www.heydownloads.com](http://www.heydownloads.com) by clicking the link below



- Please note: If there is no response to CLICKING the link, please download this PDF first and then click on it.

CLICK HERE TO **DOWNLOAD** THE COMPLETE MANUAL

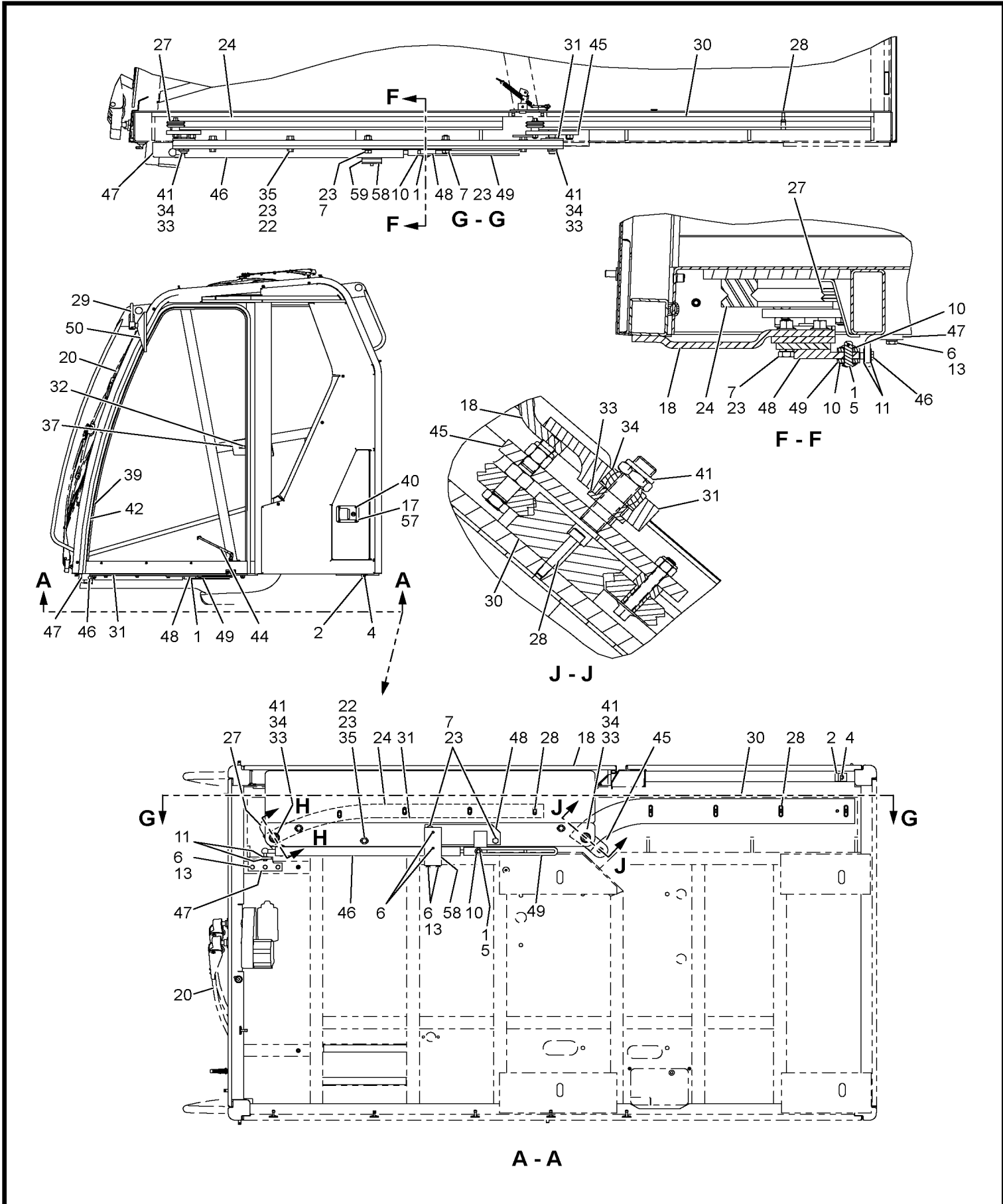
# Manitowoc Cranes MACHINE COMPONENT INDEX

Date: August 09, 2021

Rev: 002

<u>Model Number</u> MLC300		<u>Serial Number</u> 3001113	
Item	Part	Description	Page
	1770784	LEVER	999
	80129368	LIMIT SWITCH MOLDED 3P SUBASSY	1001
	810316421	ESI POSITION LIGHT & ANEMOMETE	1003
	810209900	SENSOR WIND SPEED	1005
	810250570	SUBASSY POSITION LIGHT	1007
	81027767	GUIDE WIRE ROPE ASSY	1009
	810258190	SHEAVE ASSY	1011
	810315121	SHEAVE SPEED SENSOR PREP	1013
	81042564	ESI WIRE ROPE GUIDE	1015
	810290361	CATWALK ASSY #500, BOOM TOP	1017
23	81027736	POINT #500 LOWER ASSY	1019
24	81034794	SHEAVE ASSY #500 LWR PT DE	1021
	84028414	SHEAVE ASSY #500 DEAD END	1023
	81028932	LINK DEAD END ASSY	1025
24	84018961	SLING 50000 LBS 6.15 FT	NO DWG
25	81034795	SHEAVE ASSY #500 LOWER POINT	1027
	81027766	SHEAVE BANK ASSY #500 LOWER PT	1029
27	81042719	TOP 10.0 M LUFF JIB PREP	1031
28	810278200	INSERT ASSY 6M #500	1033
	810312801	CATWALK ASSY #500 6M INSERT	1035
29	81031626	INSERT LJ PREP 6M MEDIUM	1037
31	6462460	SOCKET/WEDGE, 1" (26 MM)	1039
32	84028327	PENDANT ASSY DEAD END	1041
33	810278110	INSERT ASSY 12M WITH EQ M #500	1043
	81036544	CATWALK #500 12M MED W/EQ	1047
33	84018961	SLING 50000 LBS 6.15 FT	NO DWG
34	81036541	INSERT LJ PREP 12M MED W/EQ	1049
37	810333440	WEIGHT BALL SWIVEL 22.2 MTON 2	NO DWG
38	810278080	INSERT ASSY 12M M #500	1051
	810279002	CATWALK ASSY #500 12 M INSERT	1053
39	81029537	INSERT LUFF JIB PREP 12M MED	1055
40	80128376	CVS SHIP OUT PAINT & MISC.	1057
42	80130019	SHIM PACK	1059
43	810278080	INSERT ASSY 12M M #500	1061

# Manitowoc Cranes

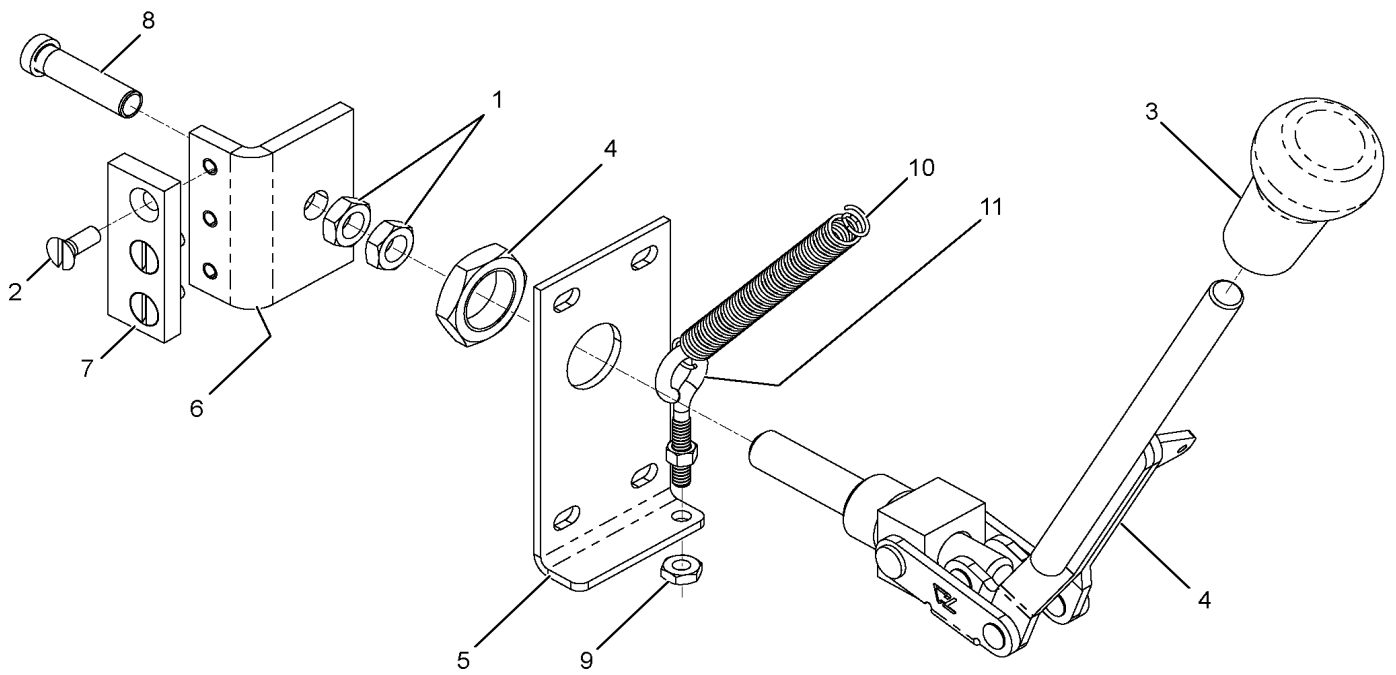


810218742

(SHEET 2 OF 4)

Page 11

# Manitowoc Cranes



# Manitowoc Cranes

Description

**HVAC KIT CAB INSIDE PARTS**

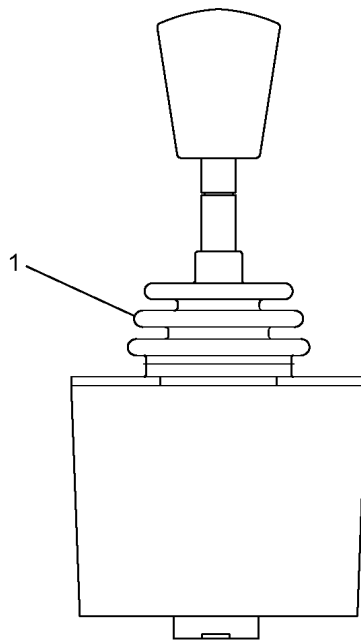
**Assembly No.**

**84039648**

Revision:

Item	FN	Part	Qty	Description
1	+	90046833	1	PEDESTAL UNIT
2		9515220035	4	LOUVER
3		9515220036	1	LOUVER, 2.0 GLOBAL
4		9515220037	2	LOUVER ASM
5		9515220038	3	ADAPTER, 3.0 HOSE
6		9515220026	1	DUCT, HOSE (3")

# Manitowoc Cranes



# Manitowoc Cranes

Description

**ESI CONSOLE RIGHT HAND**

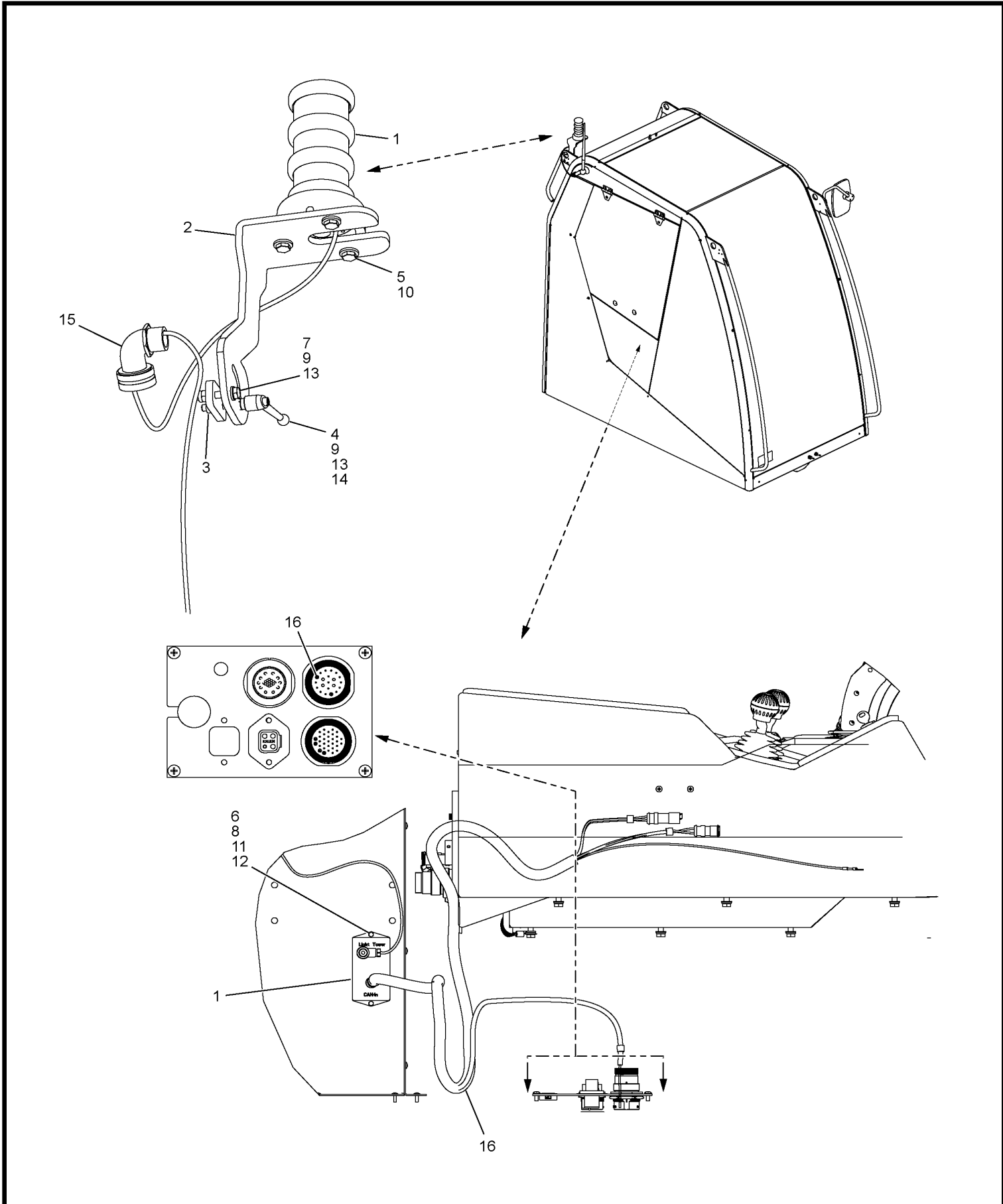
Assembly No.

**810240861**

Revision: E

Item	FN	Part	Qty	Description
1		4930550	1	INSULATOR
2		6123530	4	SCREW, HEX HEAD
3		6123670	8	HHCS
4		6926560	1	TRIM
5		7094200	4	WASHER, FLAT
6		7103020	8	WASHER, LOCK
7		7113400	2	WASHER
8		80069036	1	CONTROLLER IOS
9		03313303	1	ELECTRONIC CONTROL UNIT
10		810247370	1	PANEL ELEC
11		7126111253	2	HHCS M4x25 -8.8 ISO 4017
12		7661110003	2	HEX NUT M4-8 ISO 4032
13		7951110210	2	LOCKWASHER, 4MM I.D.
14		A008029	1	TERMINAL
15		A118130	1	POWER SUPPLY
16		A183320	4	WASHER, LOCK COUNTERSUNK

# Manitowoc Cranes



80125411

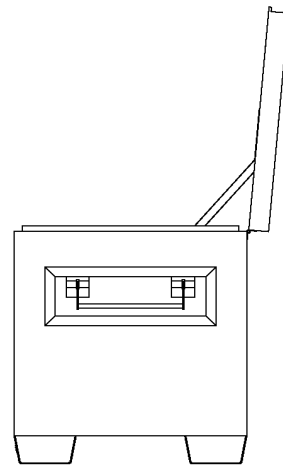
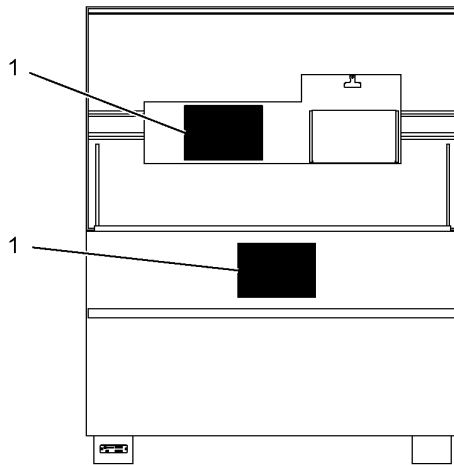
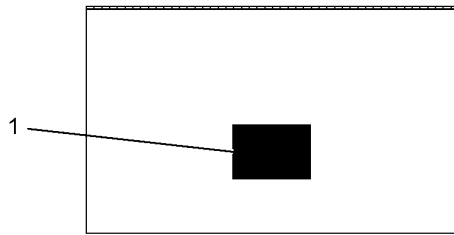
(SHEET 1 OF 1)

Page 76

# Manitowoc Cranes

<u>Description</u> <b>DECAL ASSY ROT BED/CARBODY</b>				<b>Assembly No.</b> <b>80106691</b> Revision: <b>C</b>
Item	FN	Part	Qty	Description
1		95494	4	DECAL STAY CLEAR
2		95496	2	DECAL DANGER ELETROCUTION HAZA
3		810336130	1	DECAL SWING DRIVE OIL LEVEL
4		810299430	1	DECAL RADIUS
5		A180770	1	DECAL (EN) CAUTION HYD. TANK F
7		A058390	2	DECAL WARNING ROTATING FAN BLA
8		810299750	1	DECAL WARNING COOLANT BURN HAZ
9		A081670	1	DECAL (EN) WARNING BURN HAZARD
11		81033732A	1	DECAL (EN) WARNING SETUP REMOT
12		A114490	1	DECAL CAUTION BATTERY DISCONNE
13		81040192A	1	DECAL HYD TANK SHUT-OFF
14		81017794	1	DECAL-PERSONNEL TIE DOWN POINT
15		81042869	1	DECAL FUEL TANK LEVEL
16		84025286	1	DECAL HYD FLUID LEVEL
17		810299740	1	DECAL COOLANT LEVEL FULL (LAND
22		81007342	8	DECAL-TIE DOWN POINT
26		84020138	1	DECAL INDICATOR DOT
27		176856	4	DECAL-WARNING-CRUSH HAZARD
33		95496	2	DECAL DANGER ELETROCUTION HAZA
34		810113150	1	DECAL-NO STEP
35		81042156A	1	DECAL EXIT LIFE HAMMER
36		1478482	1	DECAL (EN) PATENT
37		1768352	1	DECAL FLAG
38		1768822	1	DECAL-OPERATORS MANUAL WARNING
39		1769272	1	DECAL (EN) BUILT TO ASME B30.5
41		184679	1	DECAL-HAND SIGNALS
42		1970252	1	DECAL CAUTION-WELDING
43		810299490	1	DECAL DRUM ID
44		81041896A	1	DECAL TRANSCEIVER STORAGE
45		A073880	1	DECAL WARNING PINCH POINT
46		810015300	1	DECAL WARNING READ MANUAL
47		810182050	1	DECAL (EN) 29CFR 1926.1423
48		81007557	1	DECAL - WARNING CALIFORNIA PROP 65
49		80102744	1	PLATE CRANE ID MFG IN SG
50		NPN	1	NO PART NUMBERS FOR SERVICE EMISSION TAG SUPPLIED BY ENGINE MANUFACTURER
51		81042893	1	DECAL SHPNG ROT BED
52		80122259	1	DECAL WARNING CA
55		81007342	10	DECAL-TIE DOWN POINT

# Manitowoc Cranes



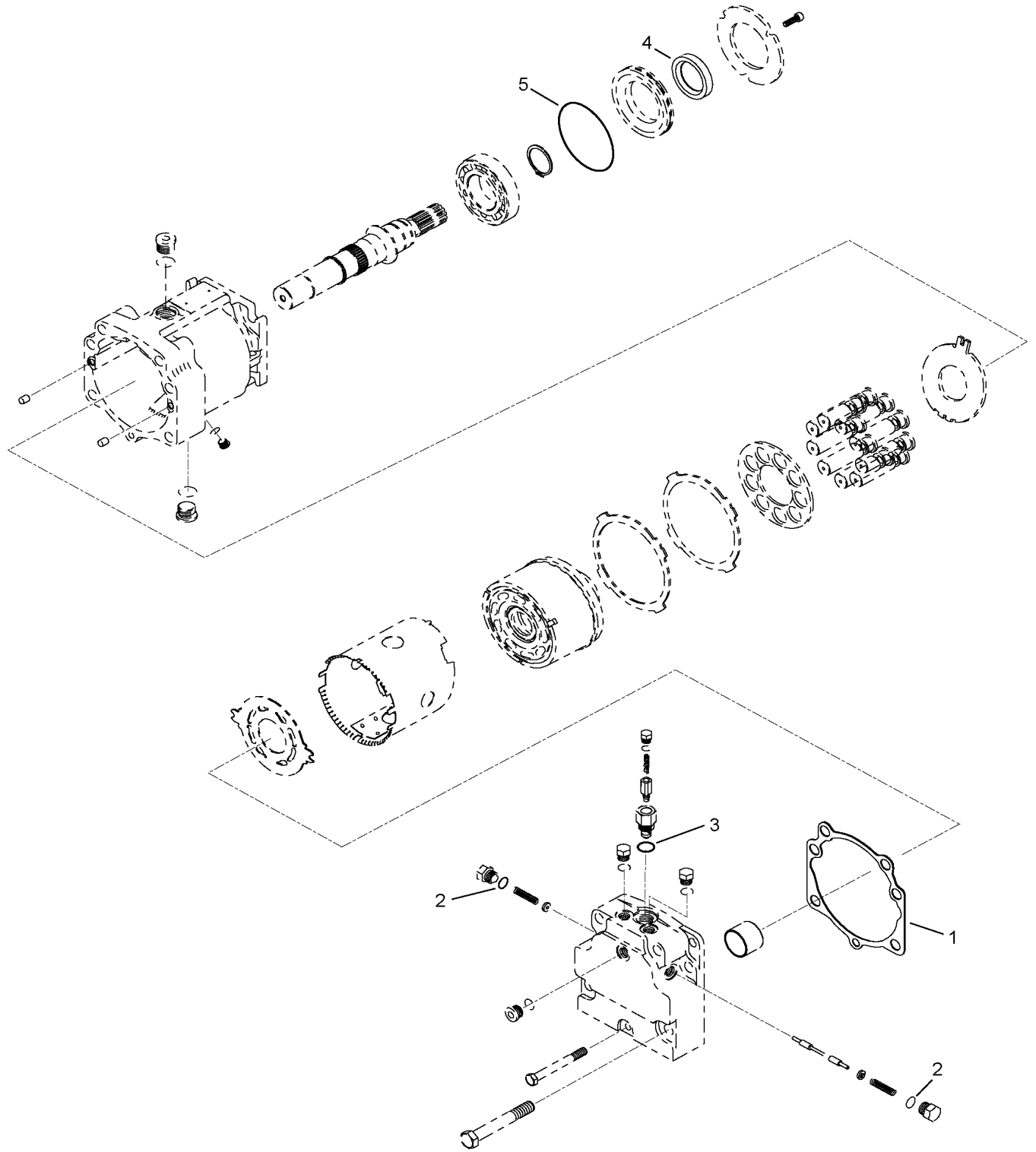
# Manitowoc Cranes

Description  
**SWITCH DRUM 2 CAB**

Assembly No.  
**81025807**  
Revision: **B**

Item	FN	Part	Qty	Description
1		7872100190	1	SWITCH, PARK BRAKE

# Manitowoc Cranes



# Manitowoc Cranes

Description

**SWITCH TIER 4F ENGINE CAB**

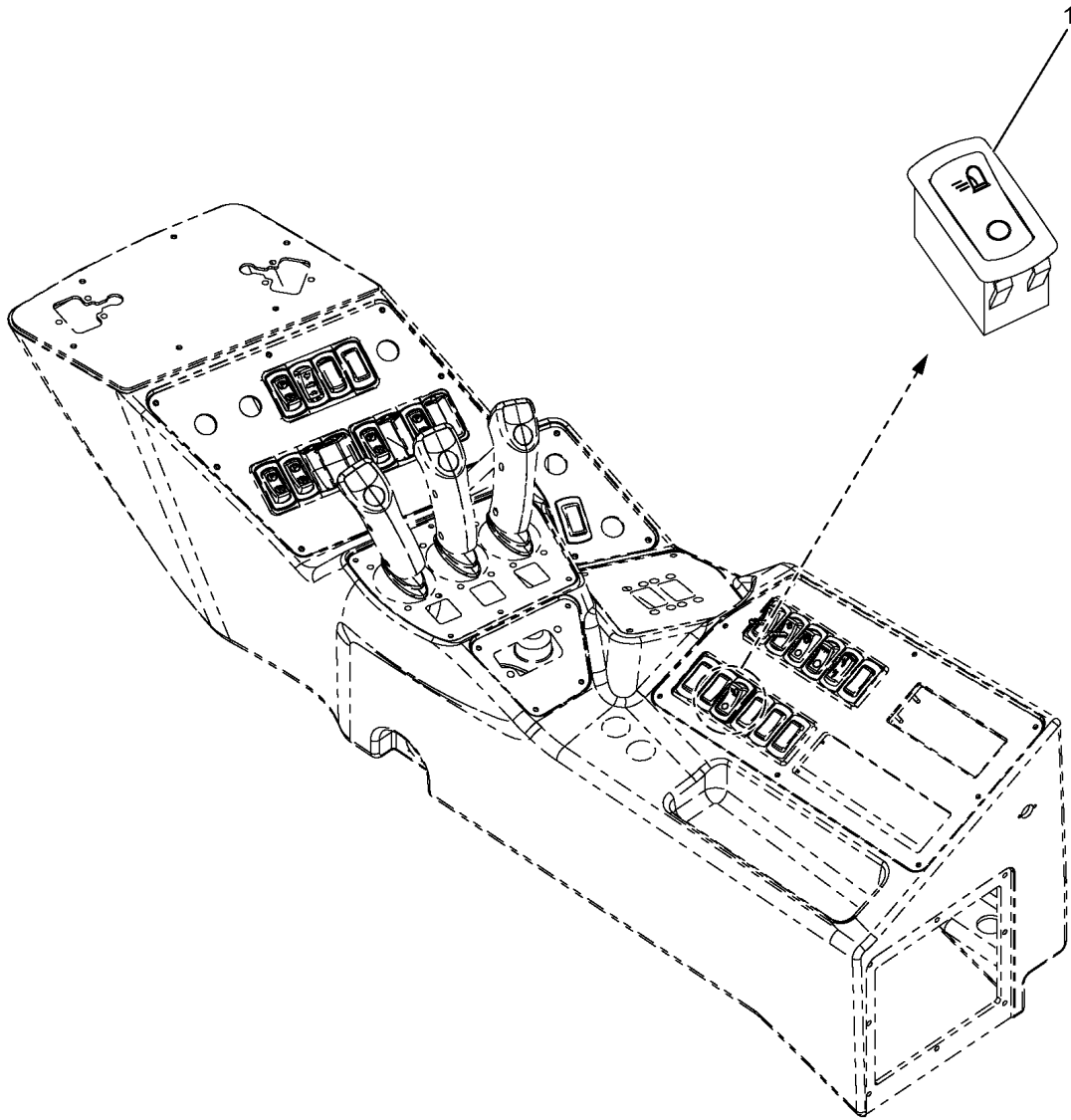
Assembly No.

**81025813**

Revision: **B**

Item	FN	Part	Qty	Description
1		80017626	1	REGEN INITIATE/INHIBIT SWITCH

# Manitowoc Cranes



# Manitowoc Cranes

Description

**PLATFORM ASSY ROTATING BED**

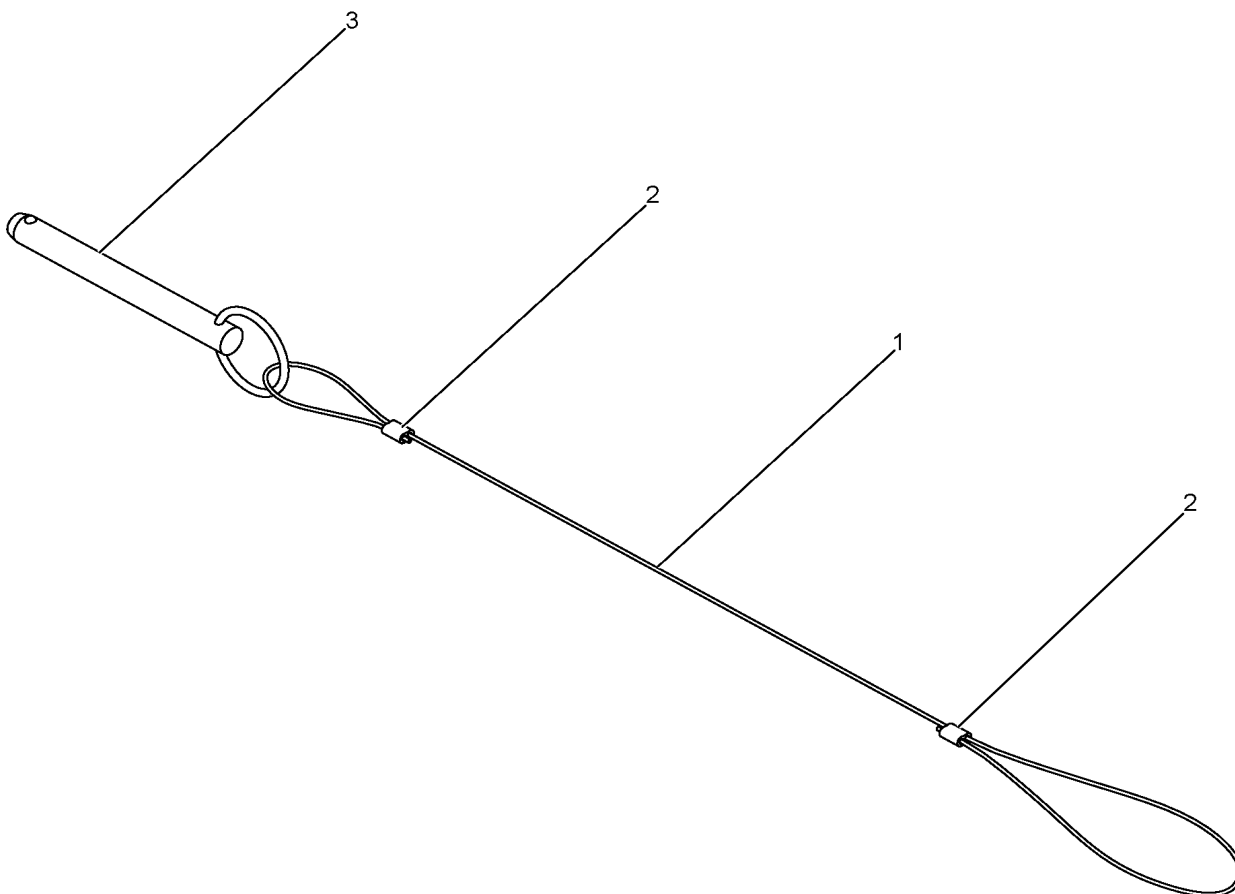
Assembly No.

**84046402**

Revision: **A**

Item	FN	Part	Qty	Description
1		<b>810273130</b>	2	BRACKET HANDRAIL SUPPORT
2	+	<b>810293651</b>	2	LANYARD
3		<b>84045938</b>	1	PLATFORM WELDMENT ROT BED
4		<b>7126171353</b>	8	HHCS M8X30 8.8 ISO 4017
5		<b>7661170803</b>	8	NUT NYLOC M8
6		<b>7951170014</b>	16	F WASHER

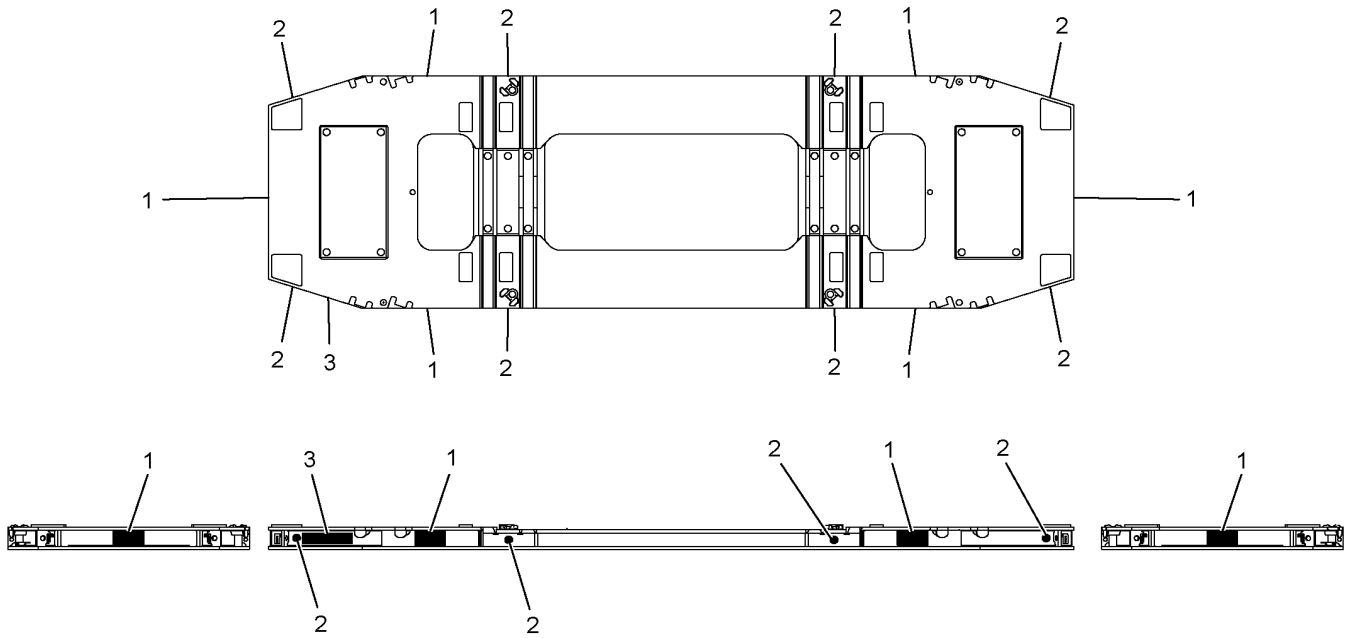
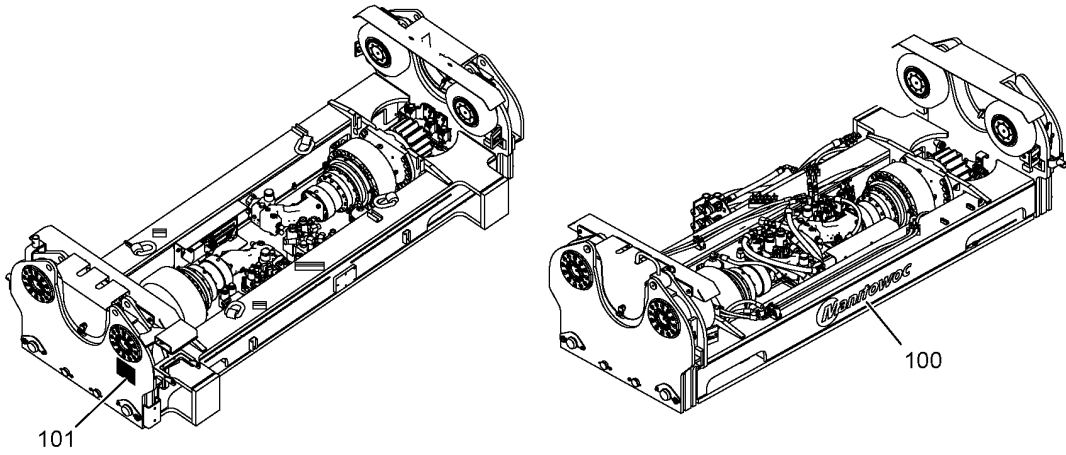
# Manitowoc Cranes



# Manitowoc Cranes

<u>Description</u> <b>PLATFORM ASSY ROT BED INSIDE</b>				<b>Assembly No.</b> <b>81042241</b> Revision: D
Item	FN	Part	Qty	Description
1	+	810315282	12	LANYARD ASSY PIN
2		81042244	1	COVER VALVE
3		84045932	1	BRACKET VALVE COVER
4		81042269	4	BRACKET VALVE COVER
5		81042272	1	COVER VALVE
6		81042288	1	BRACKET VALVE COVER
7		81042296	1	COVER VALVE
8		81042314	2	BRACKET VALVE COVER
10		84045946	1	BRACKET VALVE COVER
11		7126171253	8	HHCS M8X25 8.8 ISO 4017
12		7126171353	4	HHCS M8X30 8.8 ISO 4017
15		7126211453	4	HHCS
16		7661170003	4	NUT
17		7661210003	4	NUT, HEX 12MM N.C.
18		7951170014	16	F WASHER
19		7951170220	4	WASHER, 8MM SPRING LOCK
20		7951210014	16	F WASHER 12 -ST ISO 7089
21		7951210210	4	LOCK WASHER, 12MM I.D.
22		81041245	4	RETAINING RING 26.0 MM DIN 471
23		81042859	4	BUSHING 63.5X26.3X65.0
24		81042863	4	PIN 26.0 DIA X 54.5 LG
25		81042922	4	PLATE 6.0X75.0X138.5
26	+	81042928	1	PLATFORM ASSY ROT BED
27	+	81042929	1	PLATFORM ASSY ROT BED
28		A066560	4	PIN SAFETY
29		A126470	4	PIN SAFETY
30		7661190803	8	HEX LOCK NUT M10 -8 ISO 7040
31		80109062	1	BRACKET WELDMENT

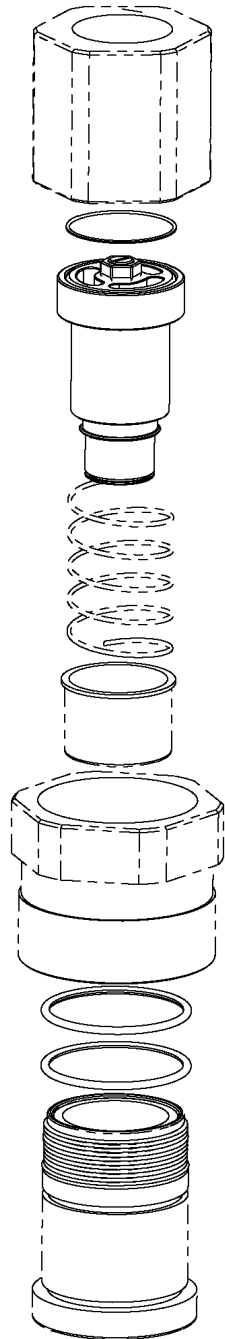
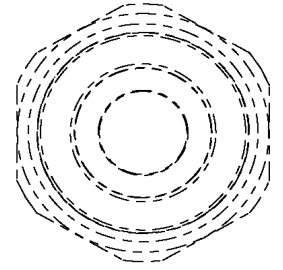
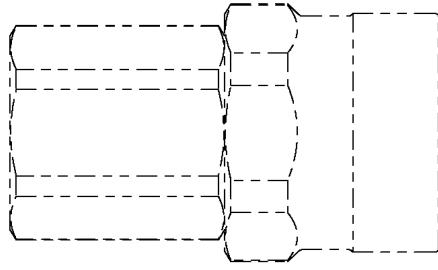
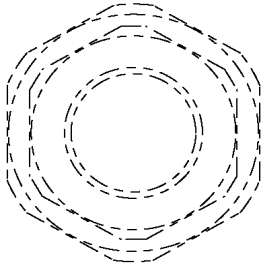
# Manitowoc Cranes



# Manitowoc Cranes

<u>Description</u> <b>ESI LIVE MAST</b>				<b>Assembly No.</b> <b>81033389</b> Revision: <b>G</b>
<b>Item</b>	<b>FN</b>	<b>Part</b>	<b>Qty</b>	<b>Description</b>
1		7661130004	4	NUT HEX
2		7126131153	4	HHCS M5x20 -8.8 ISO 4017
3		7951130014	4	F WASHER 5 ST ISO 7089
4		7951130210	4	LOCKWASHER, 5MM I.D.
5		810291390	1	SENSOR ANGLE MEMS 200 DEGREES
6		6670060	40	STRAP
7		810249152	1	BRACKET
8		7126191053	2	HHCS 10 X 16 8.8
9		7951190210	2	LOCK WASHER, 10MM
10		810334710	1	WIRING HARNESS
11		810269550	1	CHANNEL
12		810281900	1	SBCS M12 X 1.75 X 50 18-8 SS
13		7661210003	3	NUT, HEX 12MM N.C.
14		7951210014	1	F WASHER 12 -ST ISO 7089
15		7951210220	2	L WASHER 12 -HRC44-51 DIN 127
16		A020702	1	CLOSURE STRIP
17		81041830	1	ELEC CABLE
18		7107720	2	L WASHER I/E-T
19		7127150753	2	HHCS FULL THREAD 6 X 10 10.9
20		5469670	1	NUT PANEL
21		7114320	1	WASHER
22		810254602	1	BRACKET
23		7126211253	2	HHCS M12X25 8.8 FLZN ISO 4017
24		810205450	1	PLUG DUST
25		7951170014	4	F WASHER
26		84032353	1	ELEC CABLE GROUNDING CAP
27		810070010	1	WIRE
28		810070020	2	SLEEVE
29		7951210580	1	L WASHER EXTERNAL TOOTH M12
30		84036012	1	ELEC CABLE BRD GND STRAP 60.00
31		84038491	1	ELEC CABLE ADAPTER

# Manitowoc Cranes



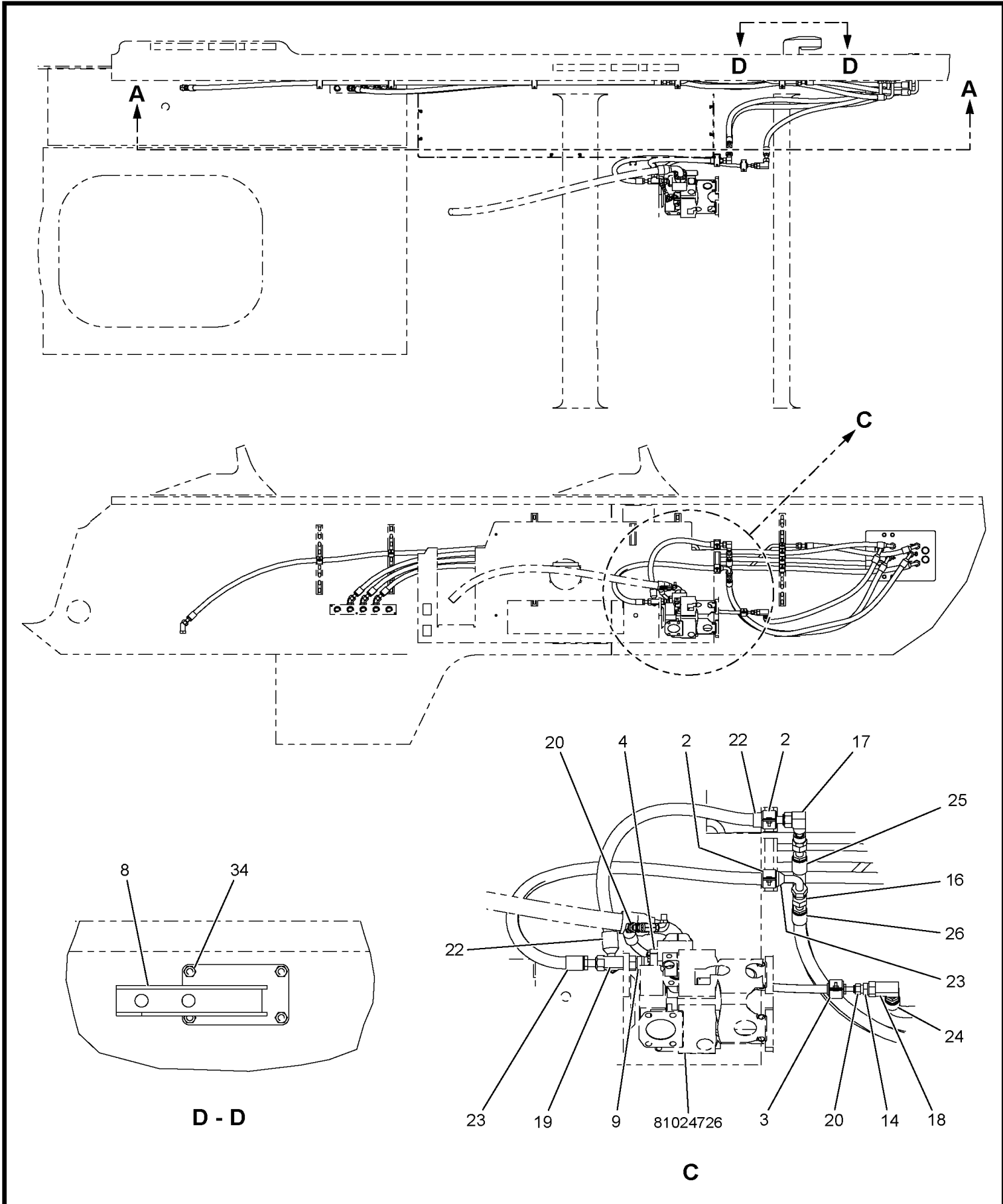
# Manitowoc Cranes

Description  
**SOCKET BUTTON**

Assembly No.  
**A062780**  
Revision: **E**

Item	FN	Part	Qty	Description
1		<b>9539220048</b>	1	PIN, COTTER (3/8X3-1/2)
2		<b>90024534</b>	1	PIN

# Manitowoc Cranes

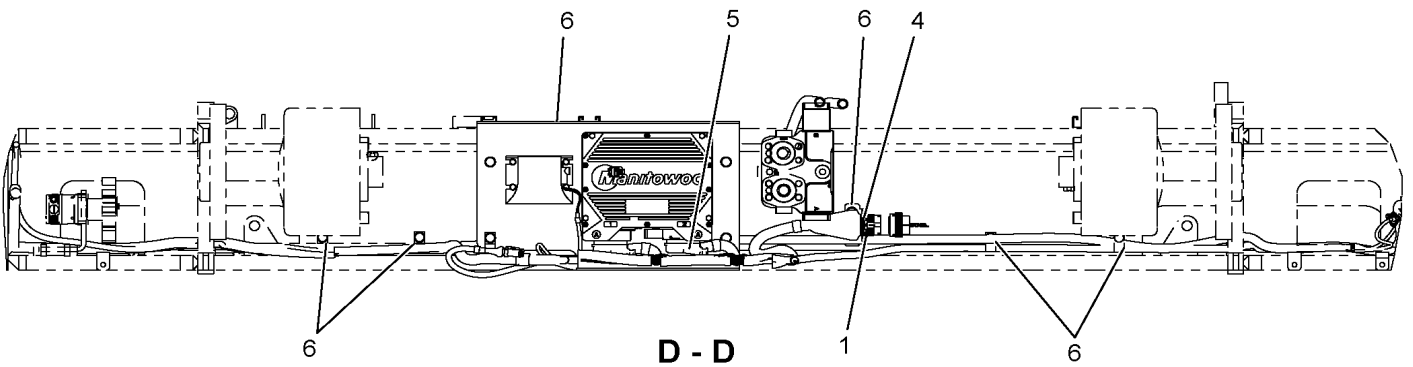
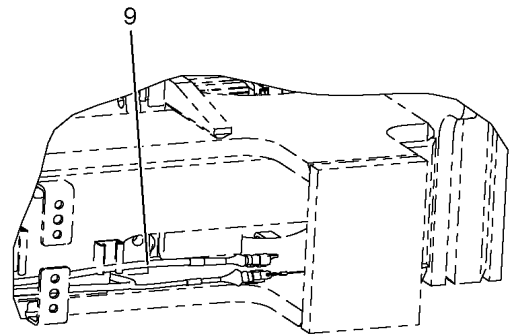
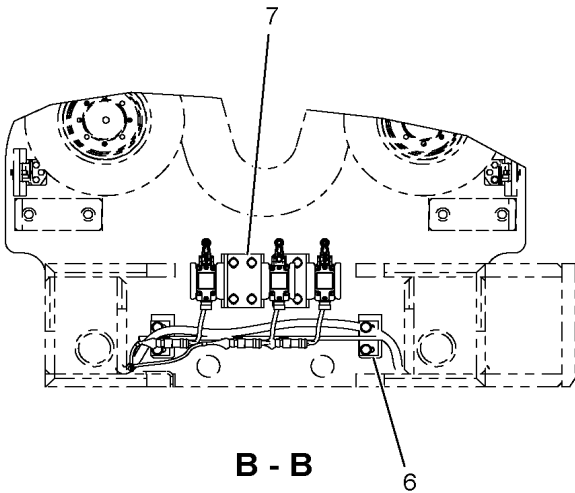
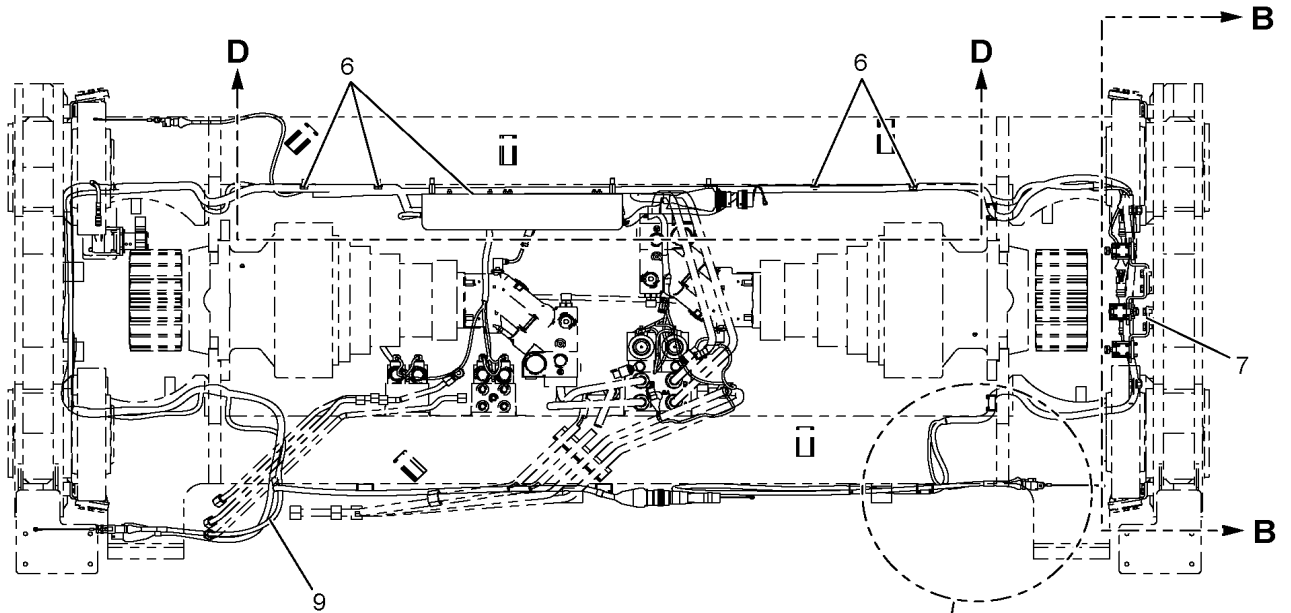


84045984

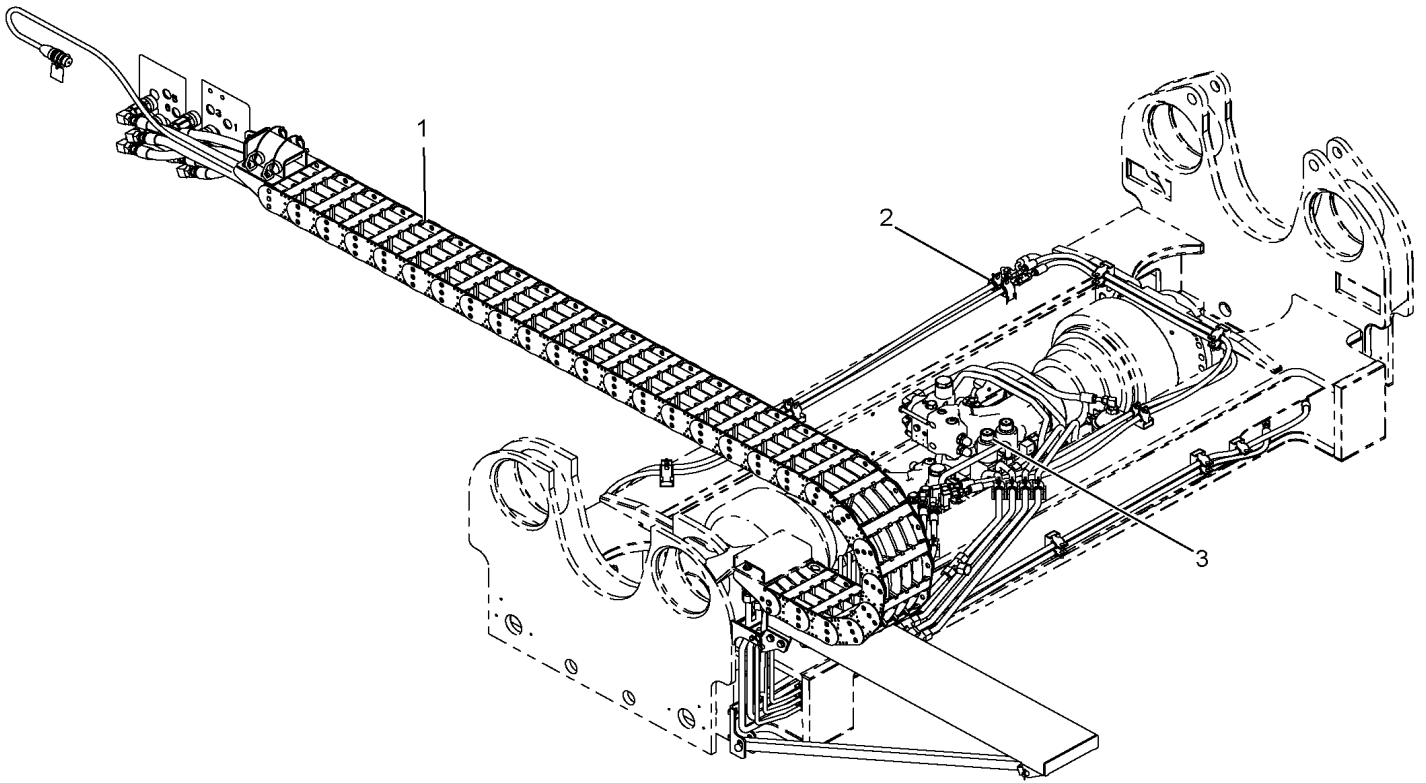
(SHEET 1 OF 2)

Page 258

# Manitowoc Cranes



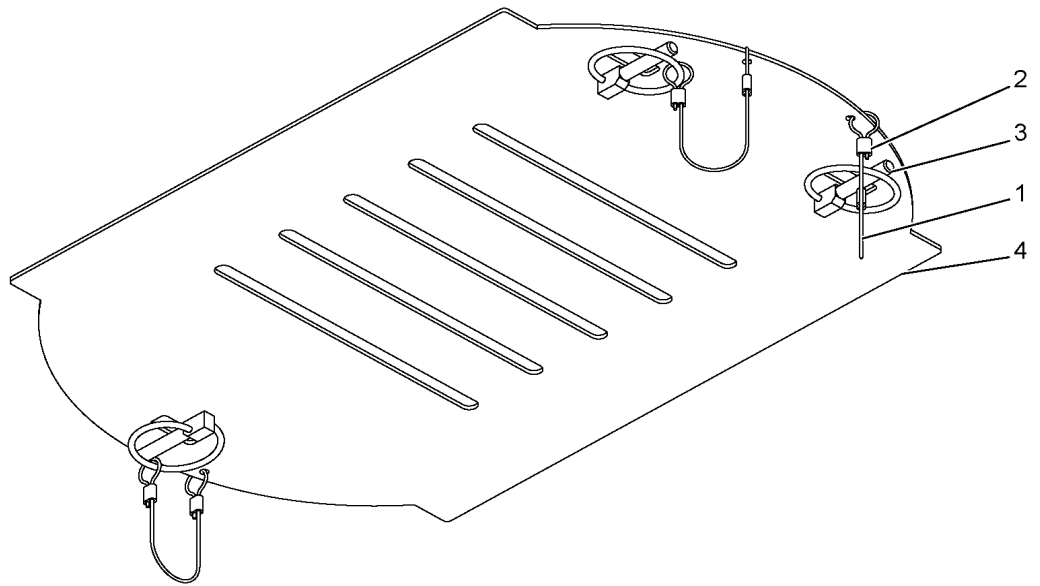
# Manitowoc Cranes



# Manitowoc Cranes

Description <b>HYD EQUIP VPC TROLLEY</b>				Assembly No. <b>81028880</b> Revision: <b>K</b>
Item	FN	Part	Qty	Description
1		4283560	2	FITTING ADAPTER
2		4283870	3	FITTING, 90 DEG ADAPTER
3		4284700	4	FITTING
5		4295570	3	FITTING, PLUG
6		4297210	4	FITTING, PLUG
7		4299550	1	FITTING ADAPTER STRAIGHT
8	+	810136490	1	VALVE MANIFOLD ASSY 2 BK D03 2
9	+	810136500	1	VALVE MANIFOLD
10	+	810255720	1	VALVE MANIFOLD
12		7126171150	14	CAP SCREW, M8 X 20MM HEX HEAD
13		2442050	4	C BOLT
14		7447080833	5	ELBOW, 90 DEGREE MALE INCLUDES THE FOLLOWING PARTS
		7755014002	1	O-RING
		7755908002	1	O-RING
15		7447080834	1	TEE, MALE RUN INCLUDES THE FOLLOWING PARTS
		7755014002	1	O-RING
		7755908002	1	O-RING
16		7447080835	1	TEE, BRANCH INCLUDES THE FOLLOWING PARTS
		7755014002	1	O-RING
		7755908002	1	O-RING
17		7447080801	1	ADAPTER, STRAIGHT INCLUDES THE FOLLOWING PARTS
		7755014002	1	O-RING
		7755908002	1	O-RING
18		7447081003	2	ELBOW, 90 DEGREE INCLUDES THE FOLLOWING PARTS
		7755014002	1	O-RING
		7755910002	1	O-RING
20		7447121203	3	ELBOW, 90 DEGREE INCLUDES THE FOLLOWING PARTS
		7755018002	1	O-RING
		7755912002	1	O-RING
21		7447121601	2	ADAPTER, STRAIGHT INCLUDES THE FOLLOWING PARTS
		7755018002	1	O-RING
		7755916002	1	O-RING
22		5483420	8	NUT, LOCK
23		7094400	8	WASHER, FLAT
24		2442030	4	C BOLT
25		810160370	2	PIN HITCH
26		810298702	1	BRACKET
28		7447080802	4	CONNECTOR, LONG INCLUDES THE FOLLOWING PARTS
		7755014002	1	O-RING

# Manitowoc Cranes



# Manitowoc Cranes

Description

**GUARD ASSY VPC ROLLERS**

**Assembly No.**

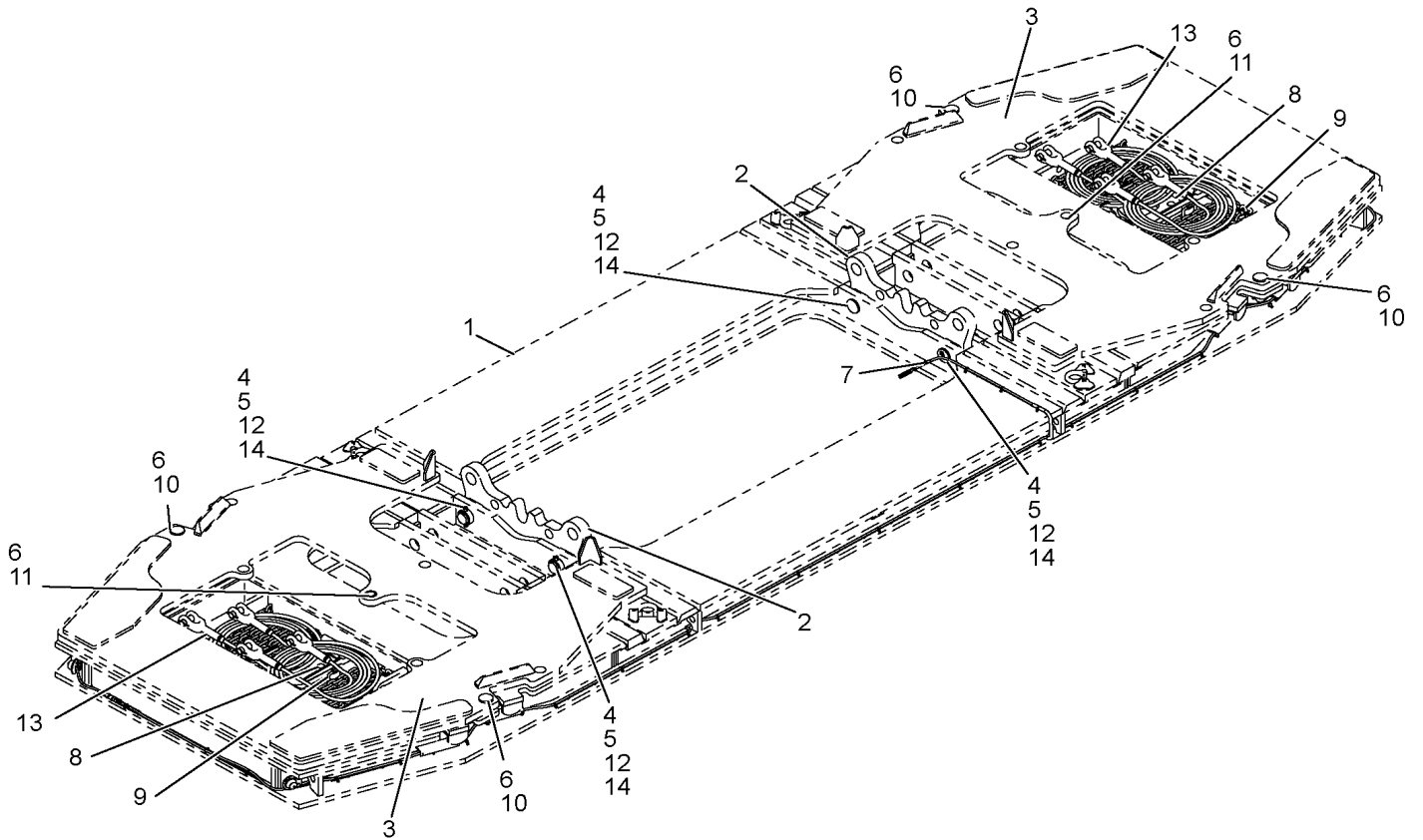
**81042177**

Revision: **A**

Item	FN	Part	Qty	Description
1		<b>810223090</b>	4	SQ NUT
2		<b>81042188</b>	2	COVER HINGE
3	+	<b>81042257</b>	2	GUARD ASSY ROLLER
4		<b>7126191353</b>	4	HHCS
5		<b>7951190010</b>	4	F WASHER 10 -HRC44-51 ISO 7089

+ SEE FURTHER BREAKDOWN THIS GROUP

# Manitowoc Cranes



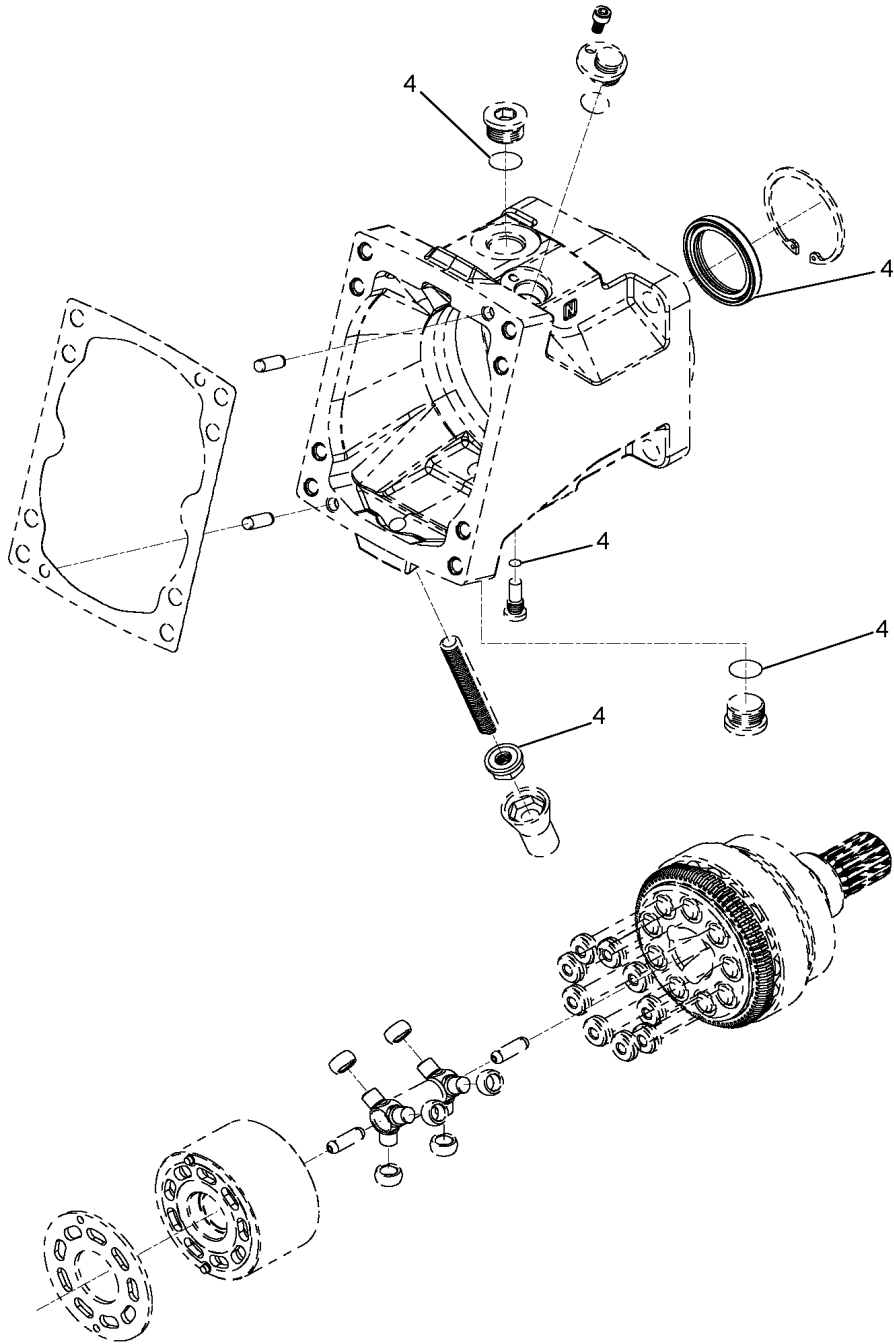
# Manitowoc Cranes

Description  
**PLATFORM ASSY**

**Assembly No.**  
**810269922**  
**Revision: A**

Item	FN	Part	Qty	Description
1		5620460	4	PIN COTTER
2		5637970	2	QUICK RELEASE PIN
3		6124070	12	HHCS 5/16-18UNC X 1.25 GR 5
4		810292732	2	PIN 2 HOLE
5		81030137	1	PLATFORM WELDMENT CARBODY
6		81030184	2	BEAM ASSY FORK TUBE
7		7127292353	2	HHCS FULL THREAD
8		7660152500	12	HEX LOCK NUT PA 5/16-18UNC SS
9		7661290003	2	HEX NUT M24 8 ISO 4032
10		7950150040	12	L WASHER 5/16" NAR HRC44-51
11		7950150141	12	F WASHER 5/16"

# Manitowoc Cranes

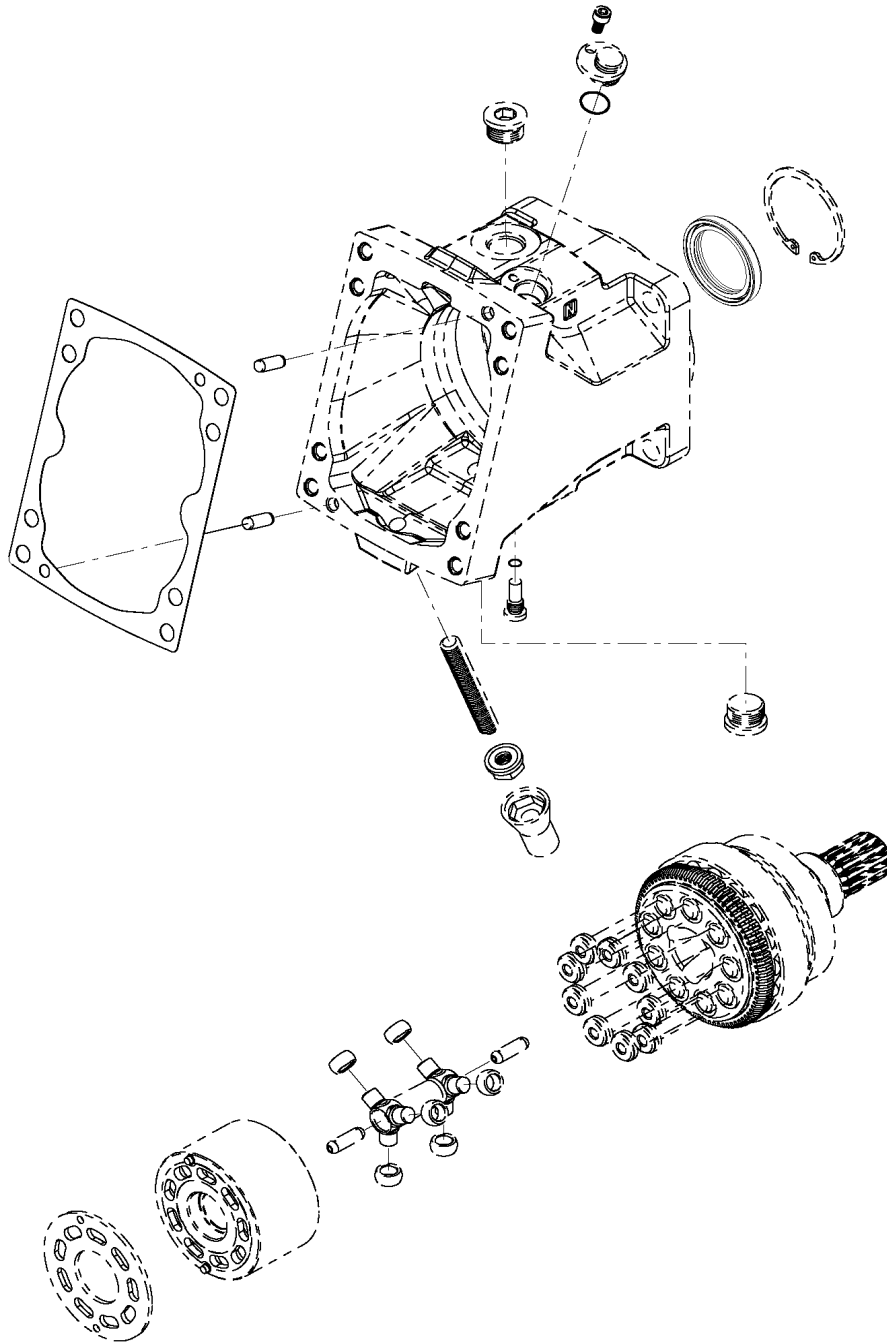


# ***Manitowoc Cranes***

Notes

---

# Manitowoc Cranes



# Manitowoc Cranes

Description  
**VALVE MANIFOLD**

**Assembly No.**  
**810136400**  
**Revision: C**

Item	FN	Part	Qty	Description
1		<b>7034100</b>	1	VALVE MANIFOLD
2	+	<b>810239070</b>	1	VALVE DIRECTIONAL CONTROL
3		<b>810270870</b>	1	VALVE PROPORTIONAL 3 POS, 4 WA
4		<b>7110101405</b>	8	SHCS 10-24UNC X 1.75 A574

+ SEE FURTHER BREAKDOWN THIS GROUP

# Manitowoc Cranes

Description

**HYD LINES INSTL DRUM 1 PREP**

**Assembly No.**

**81027454**

Revision: **K**

Item	FN	Part	Qty	Description
125		<b>810159480</b>	1	CLAMP TUBE
126		<b>810250100</b>	1	CHANNEL ANCHOR CLAMP
127		<b>7951170095</b>	2	WASHER M12 / ZINC
128		<b>5966920</b>	2	O-RING
129		<b>810160850</b>	2	FLANGE SPLIT CODE 62
130		<b>7127212850</b>	4	HHCS M12 X 120-10.9 ISO 4014
131		<b>7127211653</b>	4	HHCS FULL THREAD
132		<b>A125910</b>	1	CONNECTOR PLATE

# Manitowoc Cranes

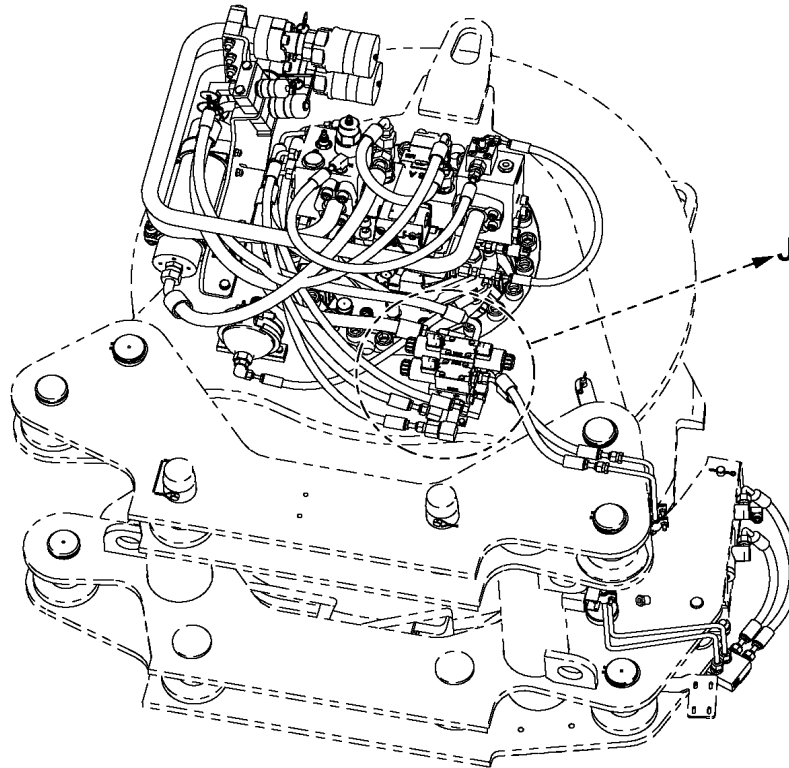
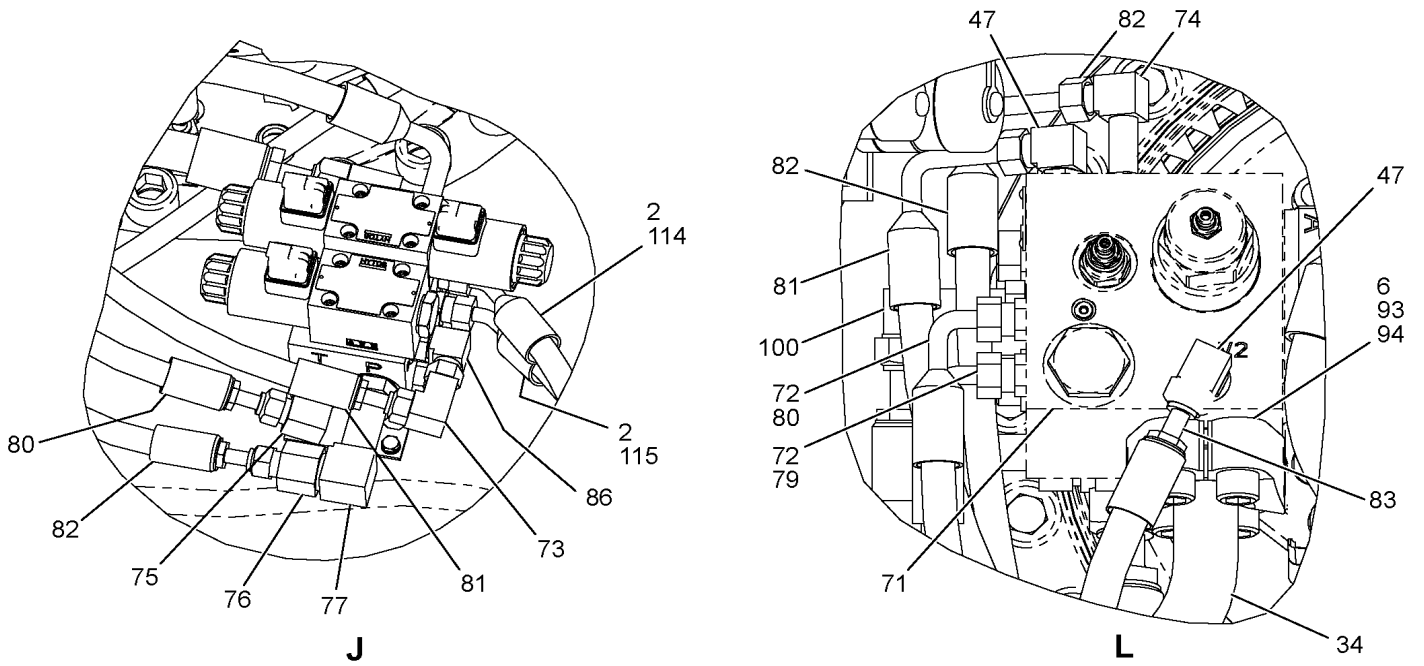
Description  
**HOIST LIVE MAST**

**Assembly No.**  
**81024009**  
Revision: J

Item	FN	Part	Qty	Description
1		0169842	1	WEDGE, ANCHOR
2		1799592	1	PIN 2 HOLE
3		810362840	1	PIN WITH HEAD
4		2256650	1	BEARING, SPHERICAL ROLLER
5		4290000	1	FITTING, GREASE
6		5620850	2	PIN COTTER
8		6223830	1	OIL SEAL
9		810240102	1	DRUM
10		810240120	1	GEARBOX
11		810240172	1	HOIST FRAME
12		810240182	1	HOIST FRAME LIVE MAST
13		810249210	1	PLUG
14	+	81041430	1	HYD MOTOR
15	+	810267791	1	PAWL
16		810271482	1	PLATE KEEPER
17	+	810277261	1	ESI DRUM 4
18		810278892	1	WINCH FRAME
19		810280402	2	BLOCK
20		810285152	4	PIN 1 HOLE W/HD
21		810285212	4	PIN
22		810285222	1	PIN KEEPER
23		810285252	2	SHIM
24		7126211353	3	HHCS
25		7126211453	6	HHCS
26		7126211653	4	HHCS M12x45 -8.8 ISO 4017
27		7126271753	2	HHCS M20X50 8.8 FLZN ISO 4017
28		7128272154	36	SHCS
29		7128292054	24	SHCS
30		7951210014	6	F WASHER 12 -ST ISO 7089
31		7951210210	10	LOCK WASHER, 12MM I.D.
32		7951270210	2	L WASHER 20 FLZN DIN7980
33		A003142	1	PLATE KEEPER
34		A040042	1	RETAINER BEARING
35		81041254	2	PIN WITH HEAD
36		A126470	4	PIN SAFETY
37		5967600	11	RETAINING RING
38	+	810300010	1	SENSOR
39	+	810426831	1	HYD EQUIP DRUM 4
40		84019808	1	FITTING STRAIGHT M22 X 1.5 M/F

+ SEE FURTHER BREAKDOWN THIS GROUP

# Manitowoc Cranes



# Manitowoc Cranes

Description  
**VALVE MANIFOLD**

**Assembly No.**  
**810136400**  
**Revision: C**

Item	FN	Part	Qty	Description
1		<b>7034100</b>	1	VALVE MANIFOLD
2	+	<b>810239070</b>	1	VALVE DIRECTIONAL CONTROL
3		<b>810270870</b>	1	VALVE PROPORTIONAL 3 POS, 4 WA
4		<b>7110101405</b>	8	SHCS 10-24UNC X 1.75 A574

+ SEE FURTHER BREAKDOWN THIS GROUP

# ***Manitowoc Cranes***

Notes

---

# Manitowoc Cranes

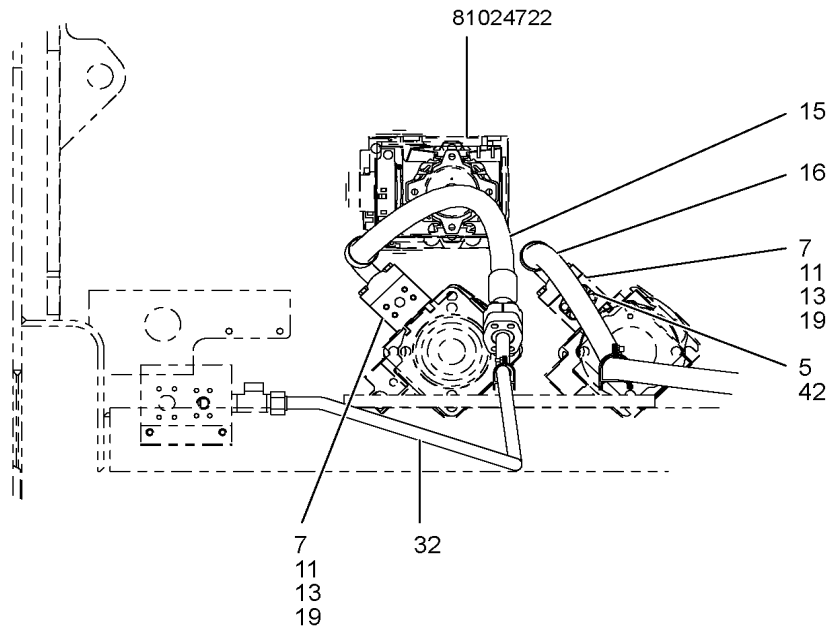
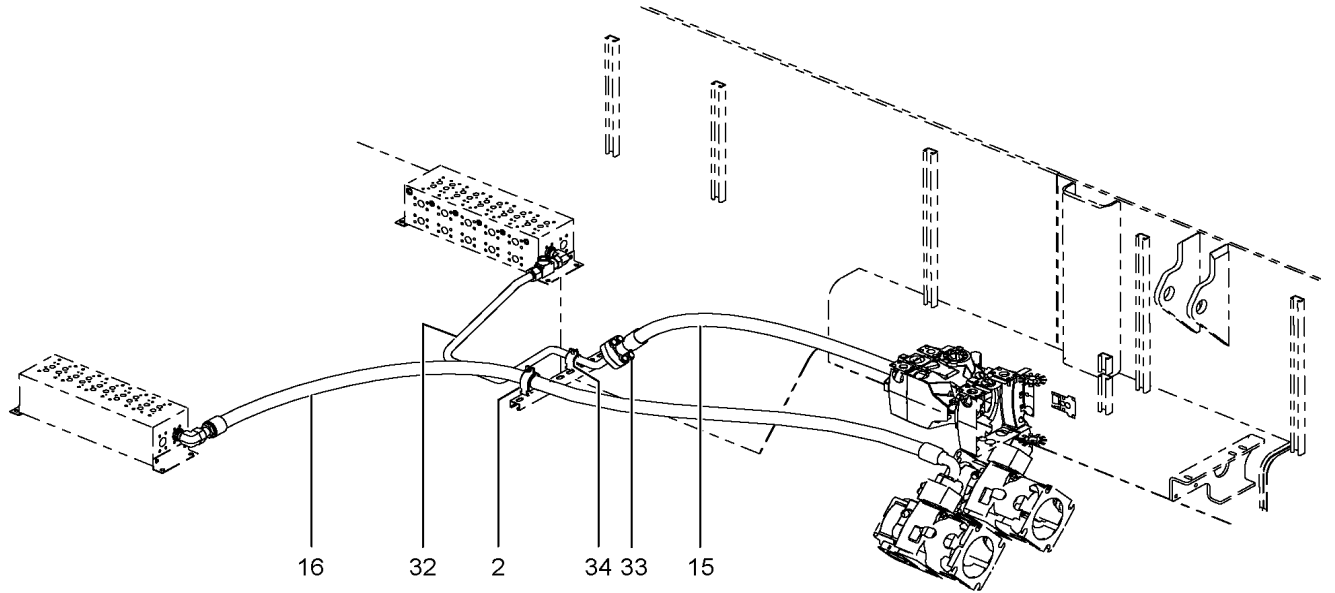
Description  
**VALVE MANIFOLD**

**Assembly No.**  
**810136500**  
**Revision: B**

Item	FN	Part	Qty	Description
1		<b>7034100</b>	1	VALVE MANIFOLD
2	+	<b>810239070</b>	1	VALVE DIRECTIONAL CONTROL
3		<b>7110101405</b>	8	SHCS 10-24UNC X 1.75 A574

+ SEE FURTHER BREAKDOWN THIS GROUP

# Manitowoc Cranes



# ***Manitowoc Cranes***

Notes

---

# Manitowoc Cranes

Description

HYD LINES INSTL DRUM 4

Assembly No.

81042684

Revision: E

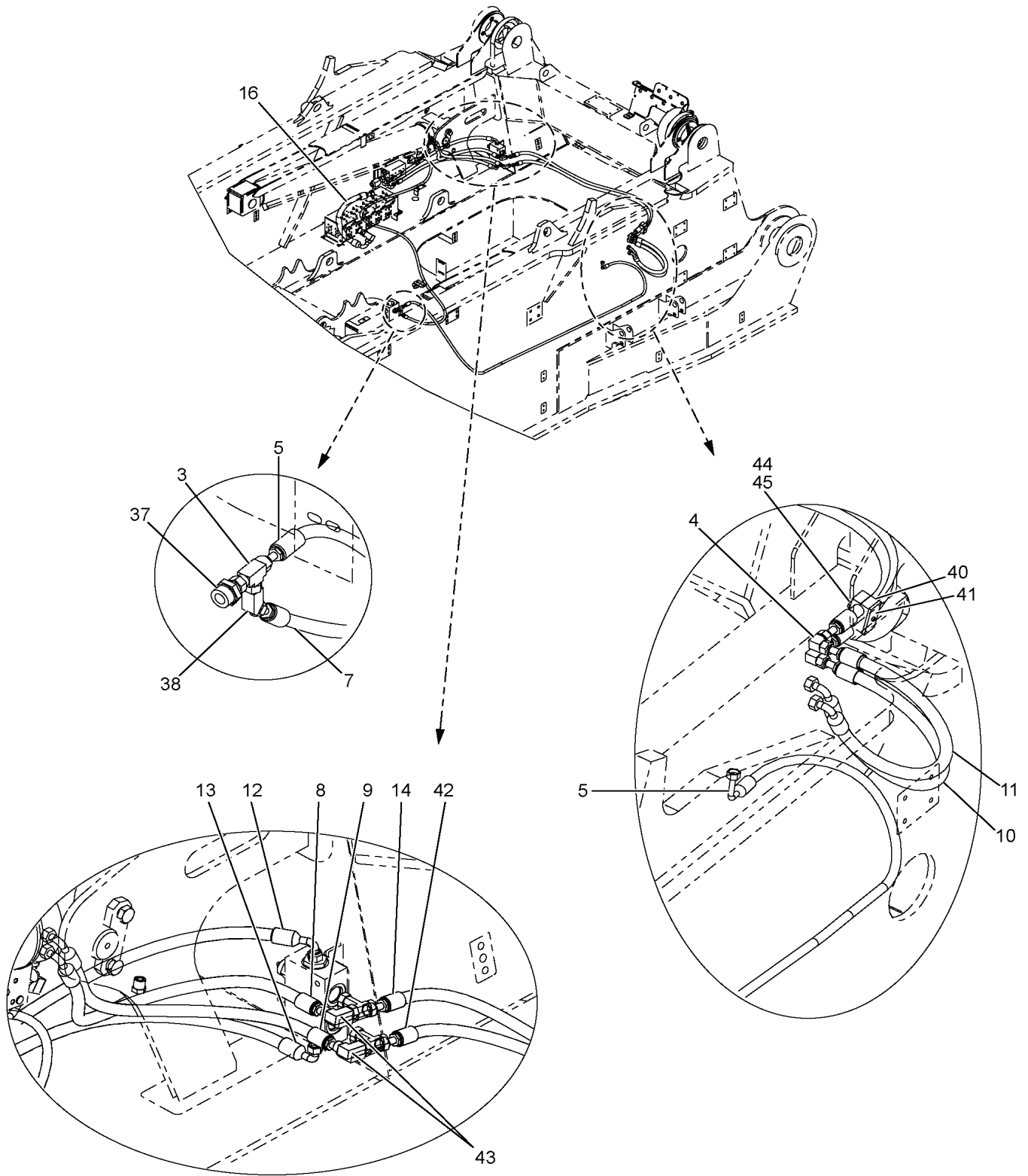
Item	FN	Part	Qty	Description
42		810256110	1	TUBE PREFORMED
43		810263530	1	TUBE PREFORMED

# Manitowoc Cranes

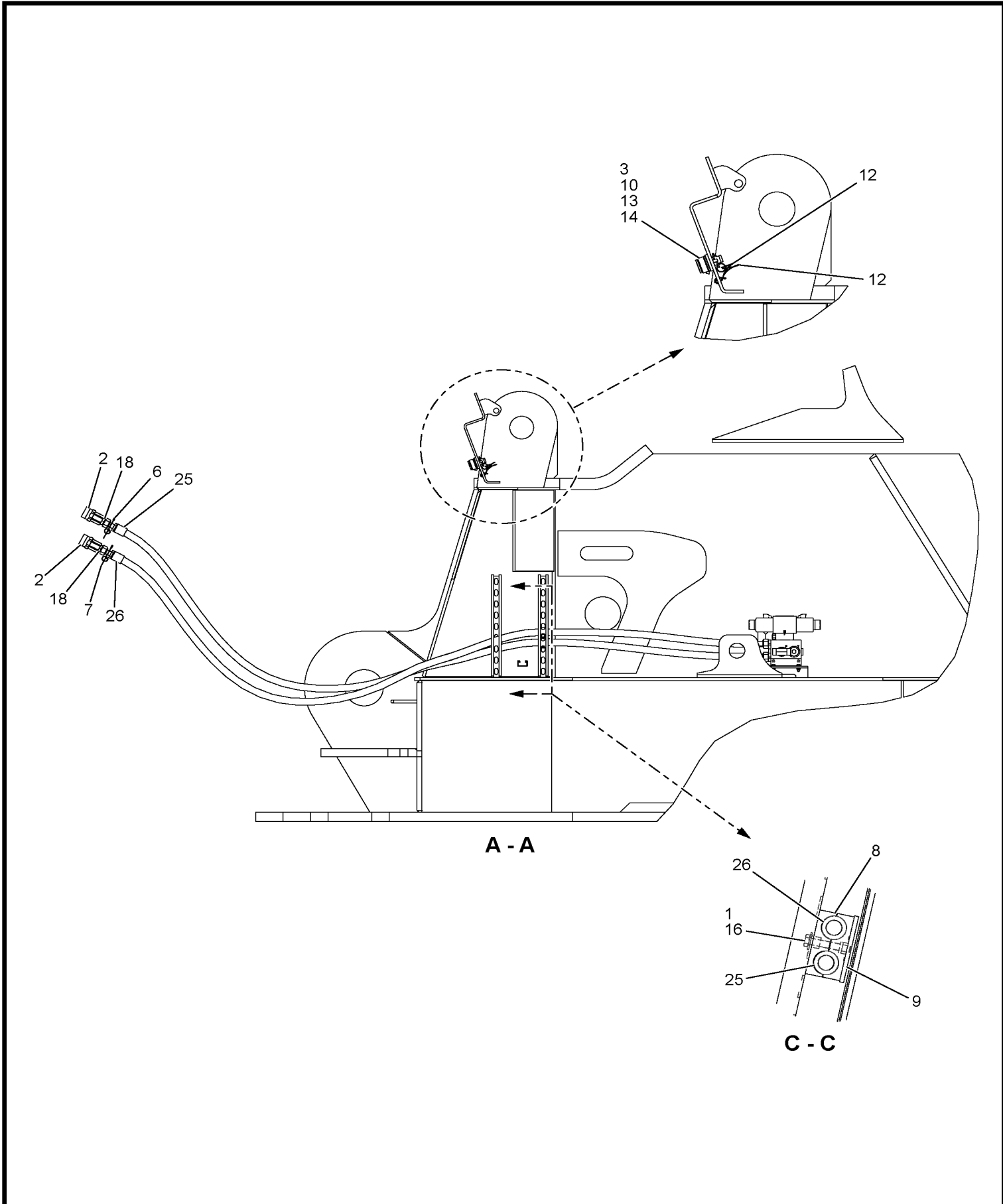
<u>Description</u> <b>HYD LINES INSTL ROT BED ACCESS</b>				<b>Assembly No.</b> <b>81027447</b> Revision: L
Item	FN	Part	Qty	Description
3		7447060602	1	CONNECTOR, LONG INCLUDES THE FOLLOWING PARTS
		7755012002	1	O-RING
		7755906002	1	O-RING
6		81018616	1	NAMEPLATE ID TAG ROUND #016
7		81018617	1	NAMEPLATE ID TAG ROUND #017
8		7555201600	1	HOSE ASSY, 3/8" I.D. X 16" LONG
9		7555201600	1	HOSE ASSY, 3/8" I.D. X 16" LONG
10		7555214202	1	3/8" I.D. HYDR HOSE ASSY STR-4
11		7555314202	1	HYDR HOSE ASSY
12		7555302300	1	HOSE ASSY CODED
13		7447080601	1	ADAPTER, STRAIGHT INCLUDES THE FOLLOWING PARTS
		7755014002	1	O-RING
		7755906002	1	O-RING
14	+	810121650	1	Q DISCON FITTING
17		3456840	6	CLAMP, TUBE
18		810271970	2	CLAMP
19		810272060	10	CLAMP 18MM-18MM DIA GRP2 DIN30
20		810276020	2	COVER PLATE
21		810276030	6	COVER PLATE
23		810362792	4	PLATE
24		81041857	1	TUBE ASSY
25		81041858	1	TUBE ASSY
26		81041924	4	PLATE
27		7126151453	2	HHCS M6x35 -8.8 ISO 4017
28		7126171453	6	HHCS M8x35 -8.8 ISO 4017
29		7126171850	4	CAP SCREW, M8 X 55MM HEX HEAD
30		7447060401	2	ADAPTER, STRAIGHT MALE INCLUDES THE FOLLOWING PARTS
		7755012002	1	O-RING
		7755904002	1	O-RING
31		7447060403	2	ELBOW, 90 DEGREE MALE INCLUDES THE FOLLOWING PARTS
		7755012002	1	O-RING
		7755904002	1	O-RING
32		7447060601	1	ADAPTER, STRAIGHT MALE INCLUDES THE FOLLOWING PARTS
		7755012002	1	O-RING
		7755906002	1	O-RING
33		7447060603	1	ELBOW, 90 DEGREE INCLUDES THE FOLLOWING PARTS
		7755012002	1	O-RING
		7755906002	1	O-RING
34		7447060605	2	TEE, RUN

+ SEE FURTHER BREAKDOWN THIS GROUP

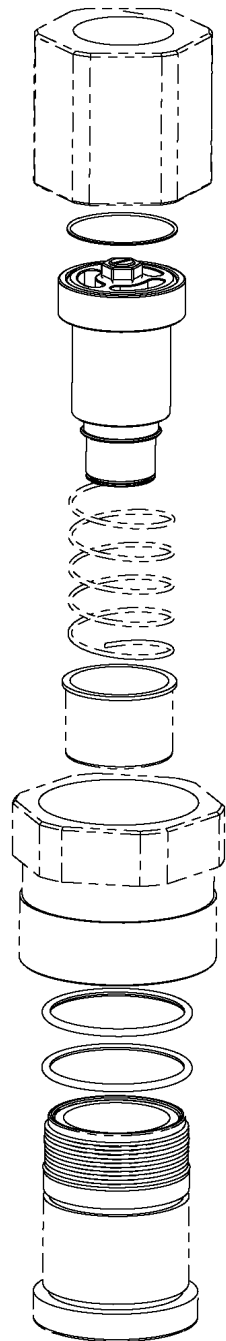
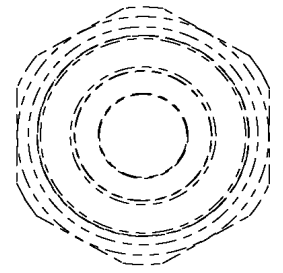
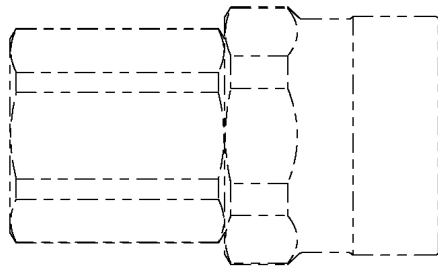
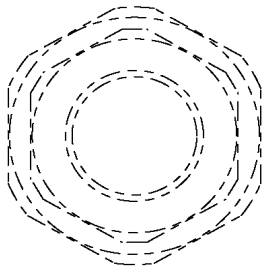
# Manitowoc Cranes



# Manitowoc Cranes



# Manitowoc Cranes



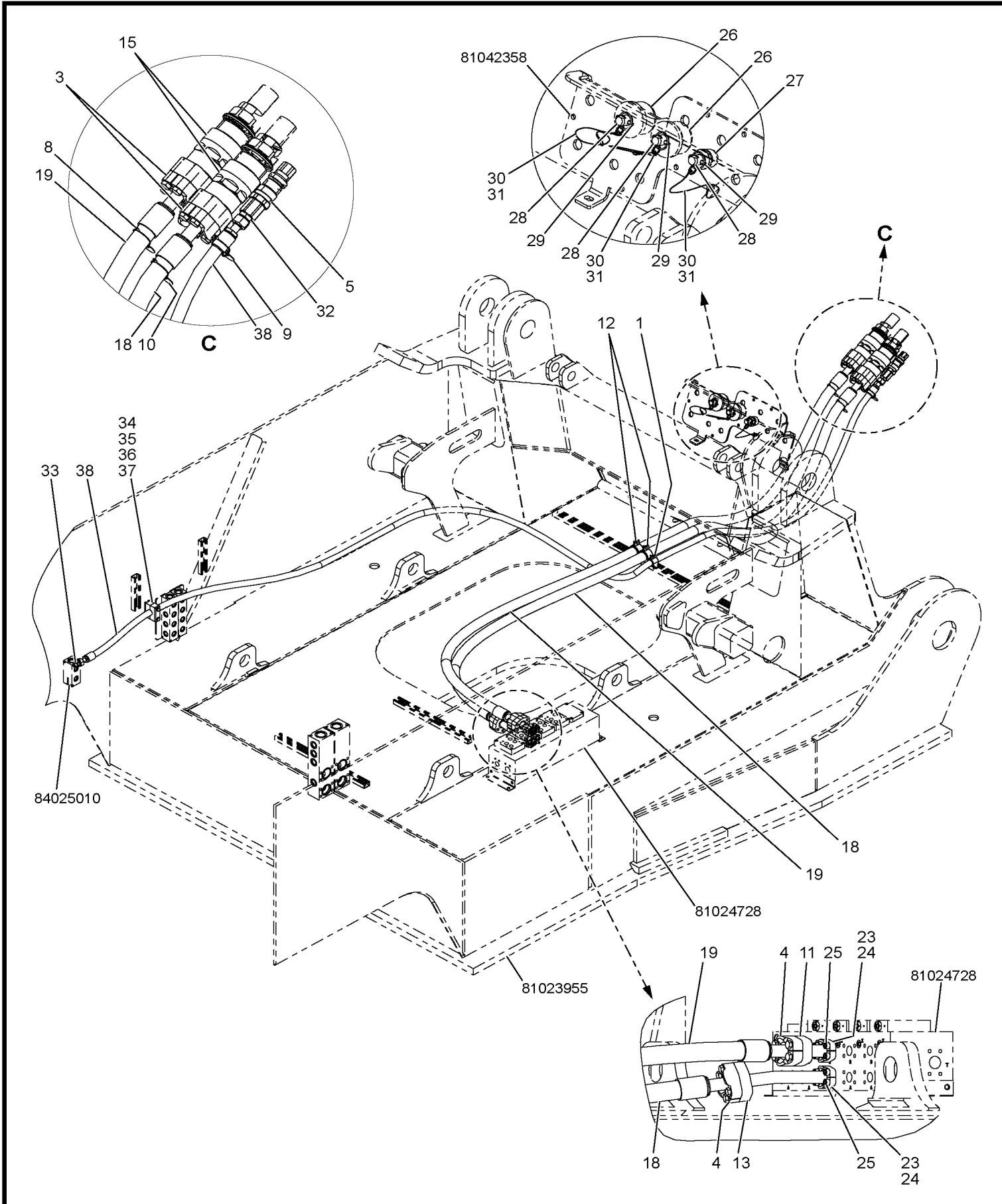
# Manitowoc Cranes

Description  
**Q DISCON FITTING**

Assembly No.  
**810039130**  
Revision:

Item	FN	Part	Qty	Description
1		810120130	1	REPAIR KIT F

# Manitowoc Cranes



81034016

(SHEET 1 OF 1)

Page 596

# Manitowoc Cranes

Description  
**ESI BOOM BUTT CCTV**

**Assembly No.**  
**81025946**  
Revision: E

Item	FN	Part	Qty	Description
3		<b>81038554</b>	1	LIGHT 10-48V LED
4		<b>80111534</b>	1	CAMERA 80 DEGREE
10		<b>7126191253</b>	2	HHCS
12		<b>7661190003</b>	2	NUT, HEX 10MM
16		<b>7951190014</b>	2	F WASHER 10
17		<b>7951190220</b>	2	L WASHER 10
19		<b>A153390</b>	2	CLAMP
20		<b>810074470</b>	1	CABLE ELEC CCTV 4 PIN 6 METER
21		<b>810077210</b>	1	CAP SEAL MALE CCTV CABLE
22		<b>81040606</b>	1	BRACKET CCTV MOUNT
23		<b>81040609</b>	1	BRACKET CAMERA MOUNT
24		<b>81040610</b>	1	BRACKET CCTV MOUNT
25		<b>7126131153</b>	4	HHCS M5x20 -8.8 ISO 4017
26		<b>7661130804</b>	4	HEX LOCK NUT PA
27		<b>7951130014</b>	8	F WASHER 5 ST ISO 7089

# Manitowoc Cranes

Description  
**ESI ROTATING BED**

Assembly No.  
**81034282**  
Revision: T

Item	FN	Part	Qty	Description
51		<b>7097020</b>	1	WASHER, FLAT SHIM
52		<b>7103060</b>	1	WASHER, LOCK
53		<b>5467360</b>	1	HEX H JAM NUT
54		<b>80114988</b>	85	BRACKET WIRE TIE STUD MOUNT

CLICK HERE TO **DOWNLOAD** THE COMPLETE MANUAL

- Thank you very much for reading the preview of the manual.
- You can download the complete manual from: [www.heydownloads.com](http://www.heydownloads.com) by clicking the link below



- Please note: If there is no response to CLICKING the link, please download this PDF first and then click on it.

CLICK HERE TO **DOWNLOAD** THE COMPLETE MANUAL

# Manitowoc Cranes

Description

**LIMIT SWITCH MOLDED 3P SUBASSY**

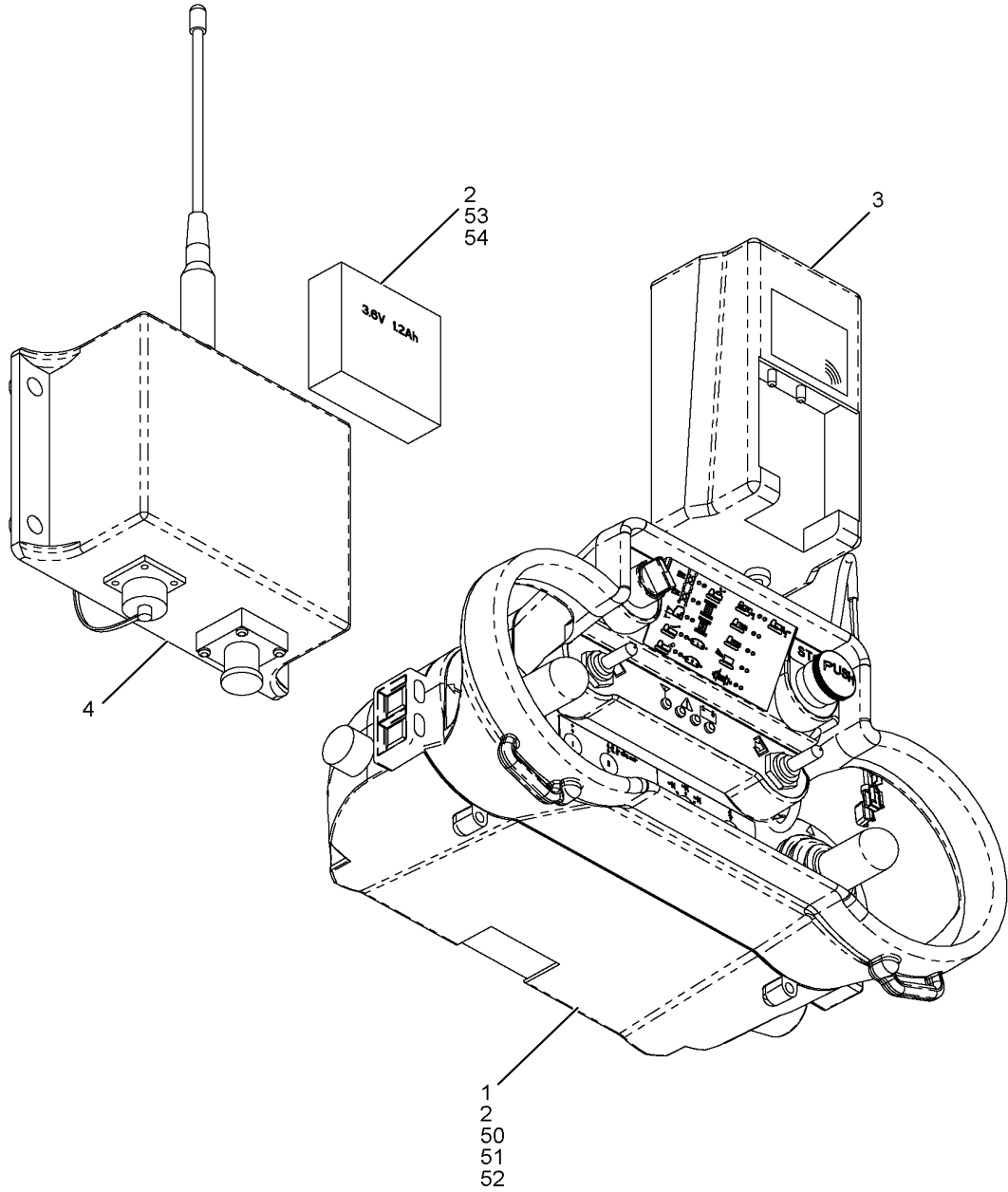
**Assembly No.**

**80129368**

Revision: **A**

Item	FN	Part	Qty	Description
1		<b>80129250</b>	1	CABLE GLAND NPT 0.50 ID 4-10
2		<b>80129369</b>	1	CABLE
3		<b>810161270</b>	1	SWITCH, LIMIT
20		<b>80129369</b>	2	CABLE
21		<b>2972110</b>	1	CABLE, WIRE

# Manitowoc Cranes



# Manitowoc Cranes

Description

**SWITCH VPC SHUTDOWN**

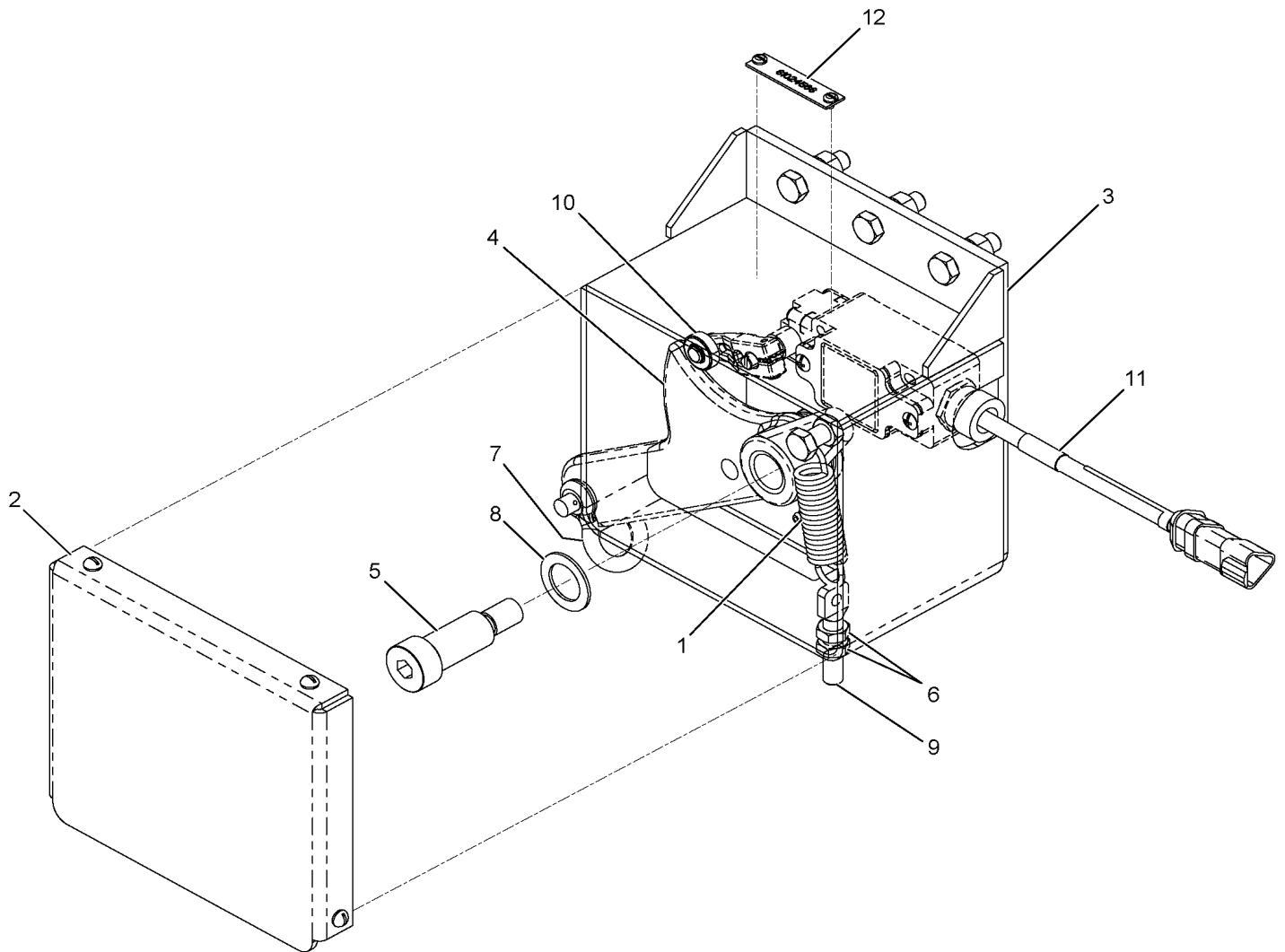
Assembly No.

**84050450**

Revision: **A**

Item	FN	Part	Qty	Description
1		<b>6727520</b>	1	BLOCK SWITCH CONTACT (1-N.C.)
2		<b>81041820</b>	1	SWITCH KEY 2 POS MAINTAINED
3		<b>A096020</b>	1	BASE, SWITCH MOUNTING

# Manitowoc Cranes



# Manitowoc Cranes

Description

**COLD WEATHER KIT ROT BED INSTL**

**Assembly No.**

**81041448**

Revision: **F**

Item	FN	Part	Qty	Description
1		2752330	3	BREAKER CIRCUIT
2		4567670	4	GASKET ASSEMBLY, CONDUIT
3		4717160	4	CORD, GRIP
4		5485550	4	NUT, LOCK CONDUIT
5		810037660	2	BATTERY
6		81038279	1	THERMOSTAT
7		81038433	3	BRACKET BOX JUNCTION MOUNT
8	+	81040030	2	BOX JUNCTION ASSY
9	+	81040031	1	BOX JUNCTION ASSY
11		5464370	9	CONNECTOR
12		6185430	3	SCREW, MACHINE ROUND SLOTTED
13		810121130	1	CHANNEL
14		80111683	1	HEATER HYDRAULIC TANK
15		7126131154	12	SHCS
17		7127211353	6	HHCS M12X30 10.9 FLZN ISO 4017
18		7661130003	12	HEX NUT M5 8 ISO 4032
20		7661210003	6	NUT, HEX 12MM N.C.
21		7951130220	12	L WASHER 5
23		7951210220	6	L WASHER 12 -HRC44-51 DIN 127
27		84018810	1	DECAL LOAD CENTER CB
50		3718410	23	CABLE ELECTRIC
51		3718410	22	CABLE ELECTRIC
52		3718410	35	CABLE ELECTRIC
53		3718410	36	CABLE ELECTRIC
54		3718410	4	CABLE ELECTRIC
55		2977170	1	CABLE WIRE 16 AWG STRANDED GRE

+ SEE FURTHER BREAKDOWN THIS GROUP

# ***Manitowoc Cranes***

**Notes**

---

# Manitowoc Cranes

Description  
**KIT SERVICE 2000 HRS**

Assembly No.  
**90048404**  
Revision: **B**

Item	FN	Part	Qty	Description
10		<b>90045339</b>	1	FILTER, DEF
20		<b>90046855</b>	1	FILTER ELEMENT
30		<b>90025830</b>	2	FILTER, AIR (PRIMARY)
40		<b>90025831</b>	2	FILTER, AIR (SECONDARY)
50		<b>90047313</b>	1	FILTER, FUEL
60		<b>90048547</b>	1	FILTER, OIL
70		<b>A053600</b>	1	SCA TEST KIT SINGLE-USE
80		<b>90038758</b>	1	BELT
90		<b>90038759</b>	1	BELT, ALTERNATOR

# ***Manitowoc Cranes***

Notes

---

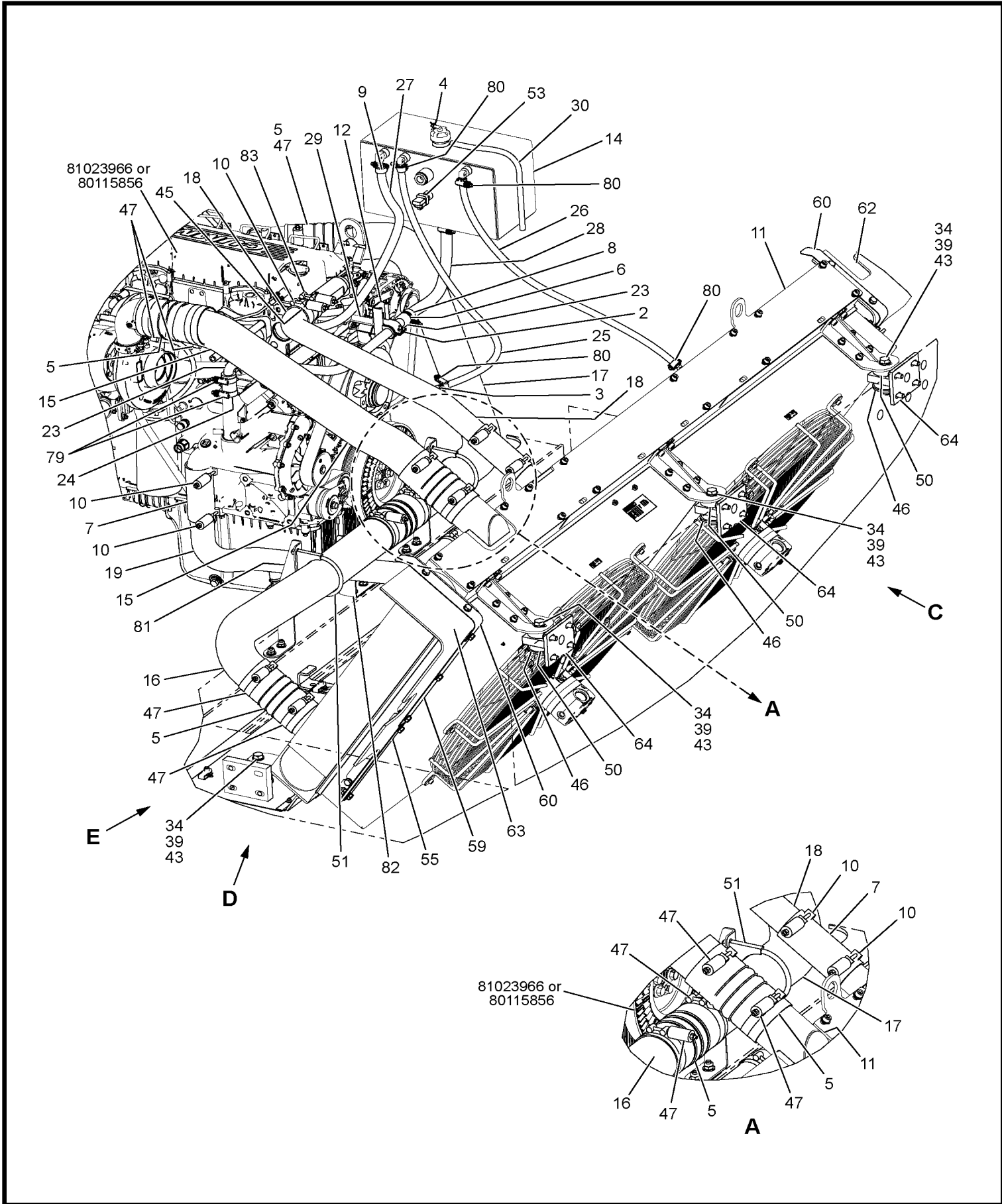
# Manitowoc Cranes

Description  
**CLUTCH**

**Assembly No.**  
**810155850**  
Revision:

Item	FN	Part	Qty	Description
1		9316220030	2	DRIVEN DISC ASSEMBLY

# Manitowoc Cranes



# Manitowoc Cranes

Description  
**FUEL CIRCUIT**

**Assembly No.**  
**81041516**  
Revision: D

Item	FN	Part	Qty	Description
1		<b>3455110</b>	18	CLAMP TUBE, 0.75 DIA
2		<b>4069770</b>	1	ELBOW PIPE 90 DEG
4		<b>7019170</b>	1	VALVE
5		<b>7030730</b>	1	VALVE
6		<b>81038145</b>	2	TUBE PREFORMED .75 OD X .065 W
7		<b>81038146</b>	2	TUBE PREFORMED .75 OD X .065 W
8		<b>81038147</b>	2	TUBE PREFORMED .75 OD X .065 W
10		<b>7447121210</b>	1	ELBOW
11		<b>7447121228</b>	2	ADAPTER, STRAIGHT INCLUDES THE FOLLOWING PARTS
		<b>7755018002</b>	1	O-RING
		<b>7755912002</b>	1	O-RING
12		<b>7567601024</b>	1	HOSE ASSY 7555502402 .75 ID X
13		<b>7567601024</b>	1	HOSE ASSY 7555502402 .75 ID X
14		<b>7567600066</b>	1	HOSE ASSY .75 ID X 66 LG
15		<b>5434050</b>	1	NIPPLE PIPE
16		<b>7447121209</b>	1	UNION INCLUDES THE FOLLOWING PARTS
		<b>7755018002</b>	1	O-RING

# Manitowoc Cranes

Description

**DEF SYSTEM INSTL CUMMINS QSG12**

**Assembly No.**

**81027419**

Revision: **H**

Item	FN	Part	Qty	Description
41		<b>81041093</b>	1	BRACKET
43		<b>810308432</b>	1	BRACKET
44		<b>81040328</b>	4	F WASHER SHIM
45		<b>7094600</b>	4	WASHER, FLAT SHIM
47		<b>80112785</b>	8	HOSE CLAMP SPR INS 0.79-1.26IN
48		<b>7951210014</b>	6	F WASHER 12 -ST ISO 7089
49		<b>7127211253</b>	6	HHCS M12x25 -10.9 ISO 4017

# Manitowoc Cranes

Description

PANEL ENCL ASSY POWER PLANT

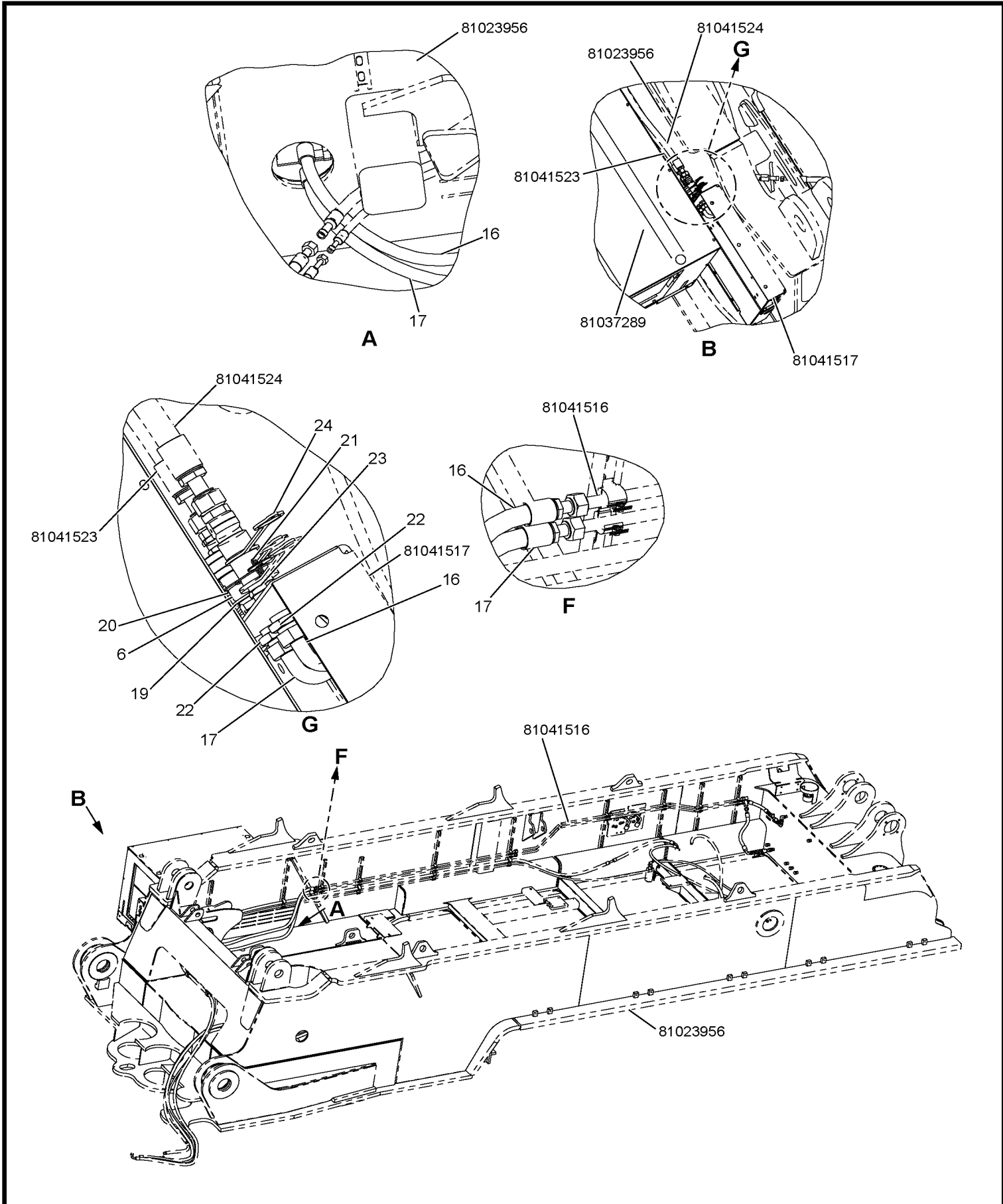
Assembly No.

810318992

Revision: D

Item	FN	Part	Qty	Description
1		84027526	1	PANEL POWER PLANT ENCL
2		81031901	1	BRACKET COOLER
3		81031905	1	HINGE COOLER ENCLOSURE
4		7126151053	5	CAP SCREW, M6 X 16MM HEX HEAD
5		7126151153	4	HHCS M6X20 SS ISO 4017
6		7661150003	9	NUT, HEX
7		7951150014	18	F WASHER

# Manitowoc Cranes

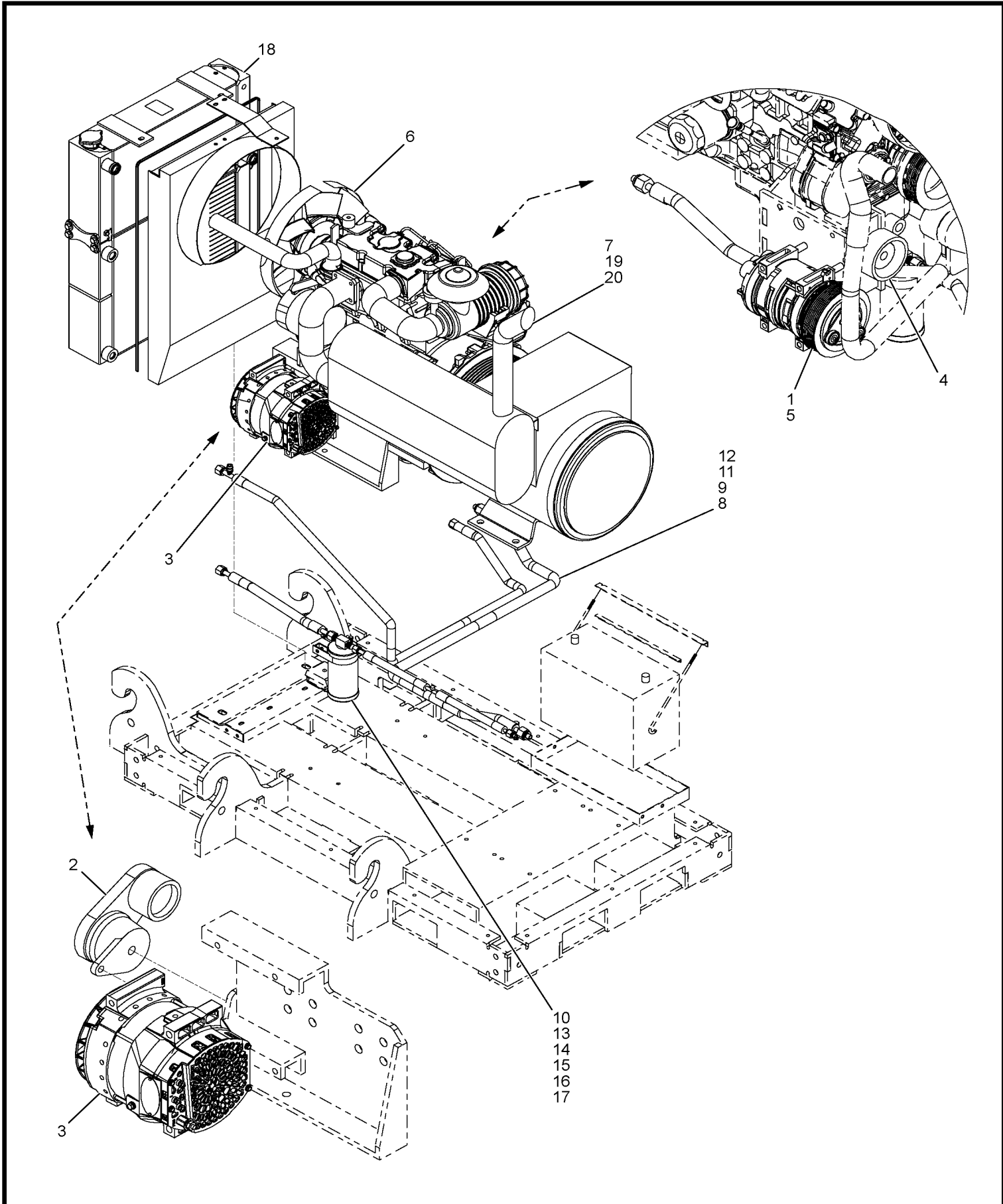


81037293

(SHEET 1 OF 1)

Page 804

# Manitowoc Cranes

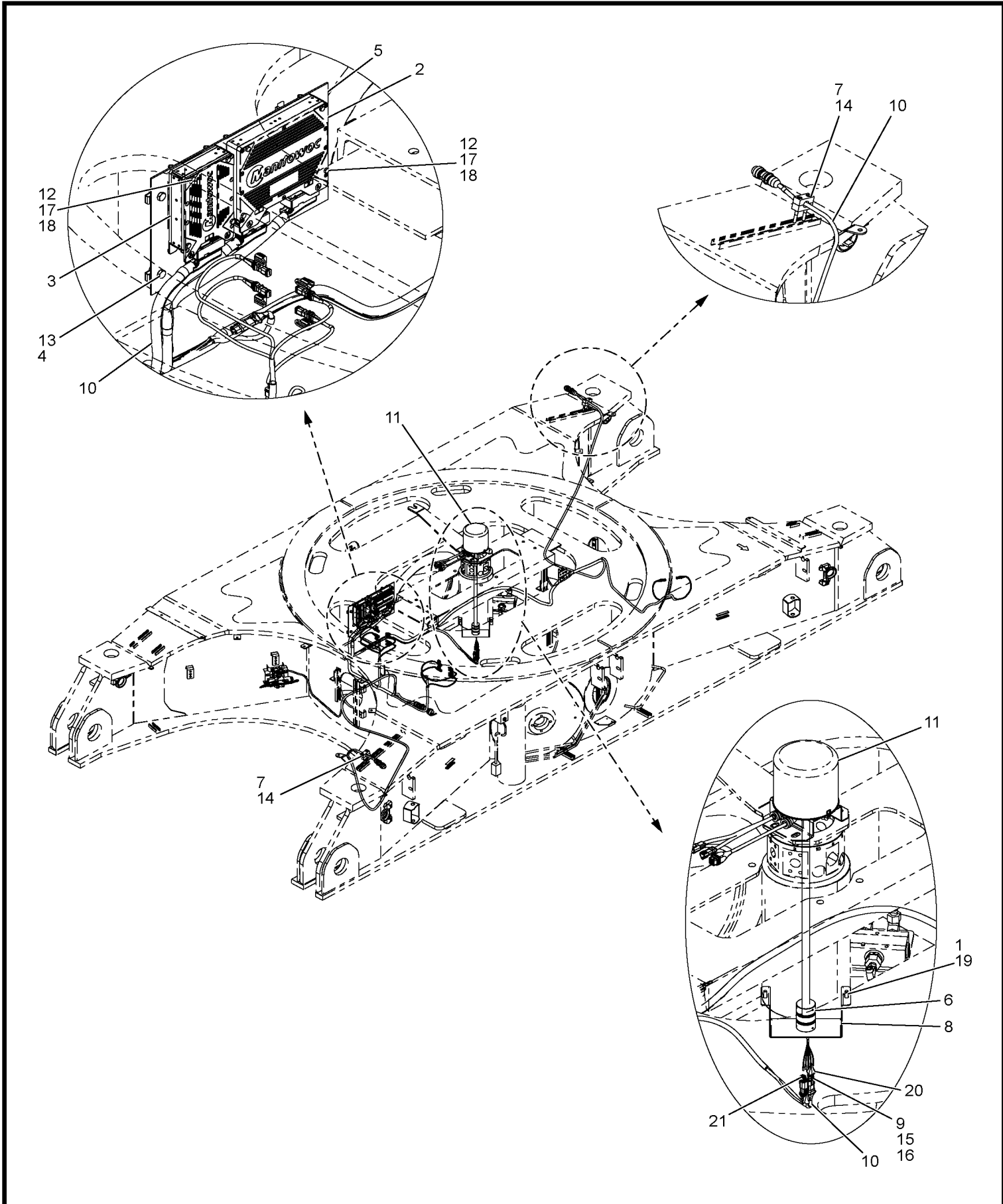


81031997

(SHEET 2 OF 2)

Page 817

# Manitowoc Cranes



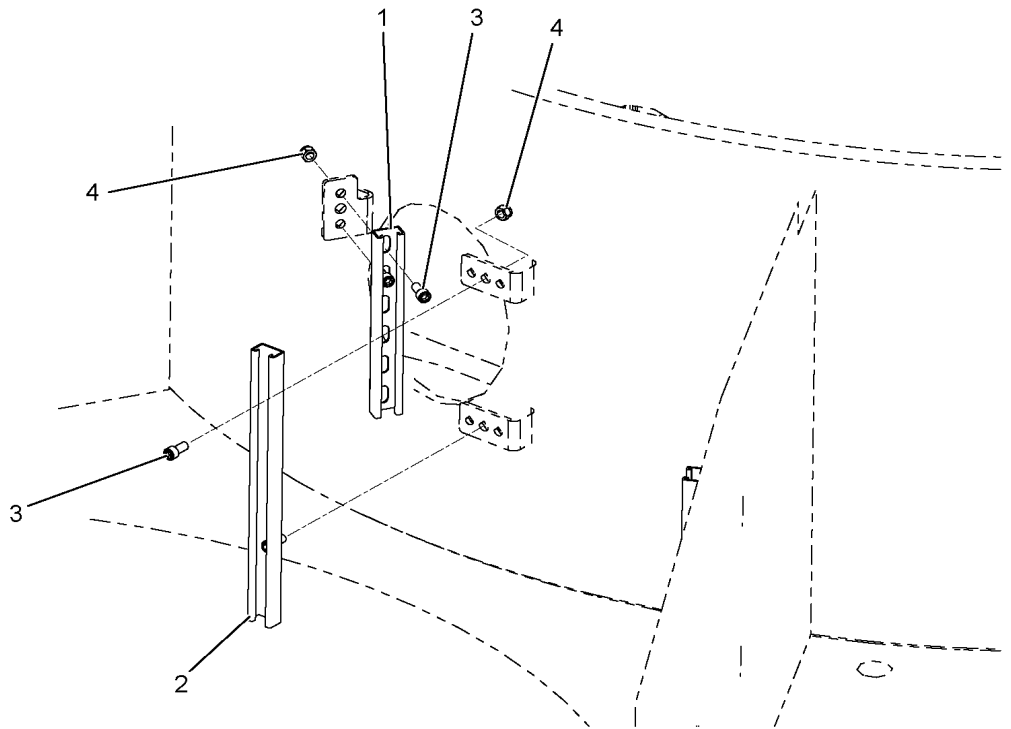
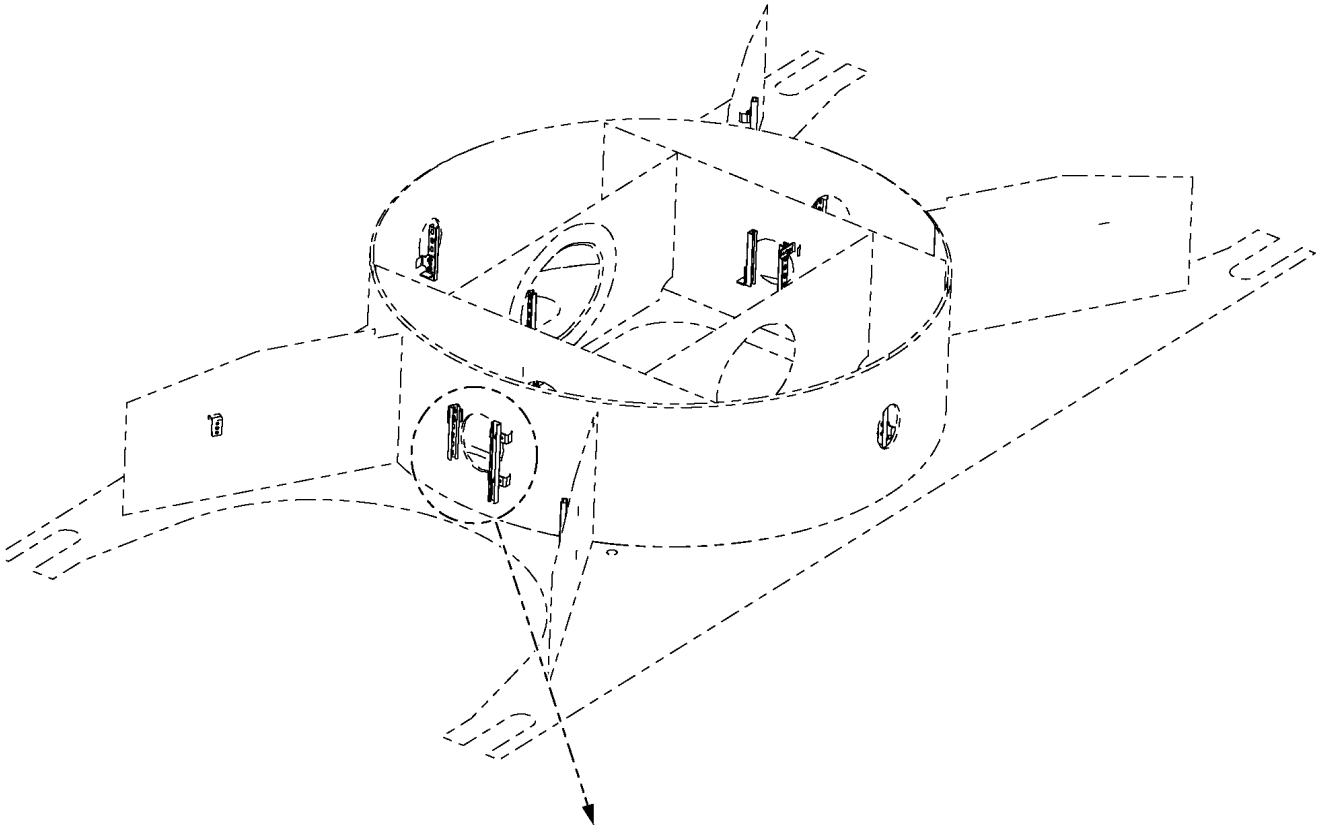
# Manitowoc Cranes

Description  
**VALVE MANIFOLD**

Assembly No.  
**810279320**  
Revision: **A**

Item	FN	Part	Qty	Description
1		<b>7041490</b>	1	VALVE, MANIFOLD
2		<b>810270870</b>	1	VALVE PROPORTIONAL 3 POS, 4 WA

# Manitowoc Cranes



# Manitowoc Cranes

Description

VALVE MANIFOLD ASSY 2 BK D03 2

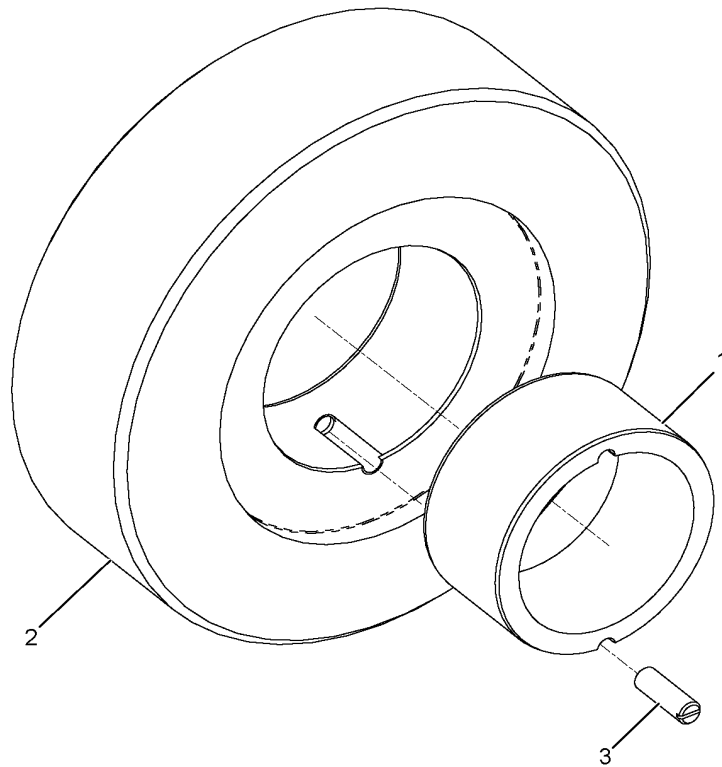
Assembly No.

810136490

Revision: B

Item	FN	Part	Qty	Description
1		7034100	1	VALVE MANIFOLD
2		810270870	2	VALVE PROPORTIONAL 3 POS, 4 WA

# Manitowoc Cranes



# Manitowoc Cranes

Description

**PIN HOSE STOWAGE**

**Assembly No.**

**81042207**

**Revision: B**

Item	FN	Part	Qty	Description
2		81041503	1	PIN 1 HOLE
3		7661210804	1	HEX LOCK NUT



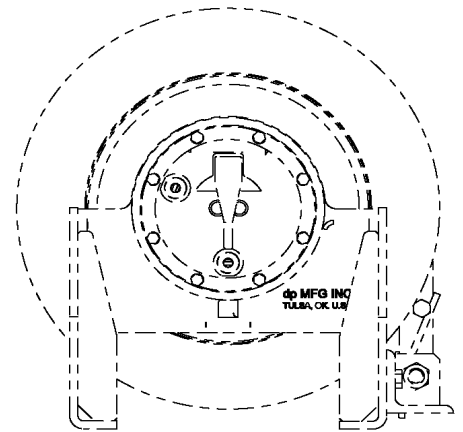
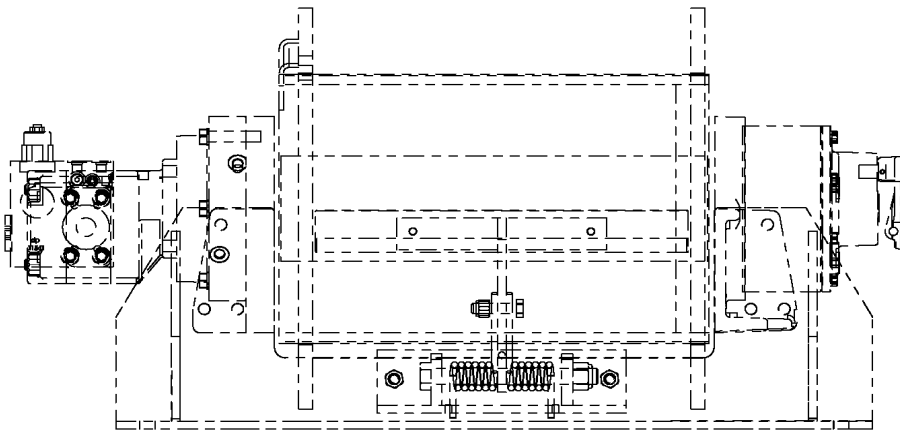
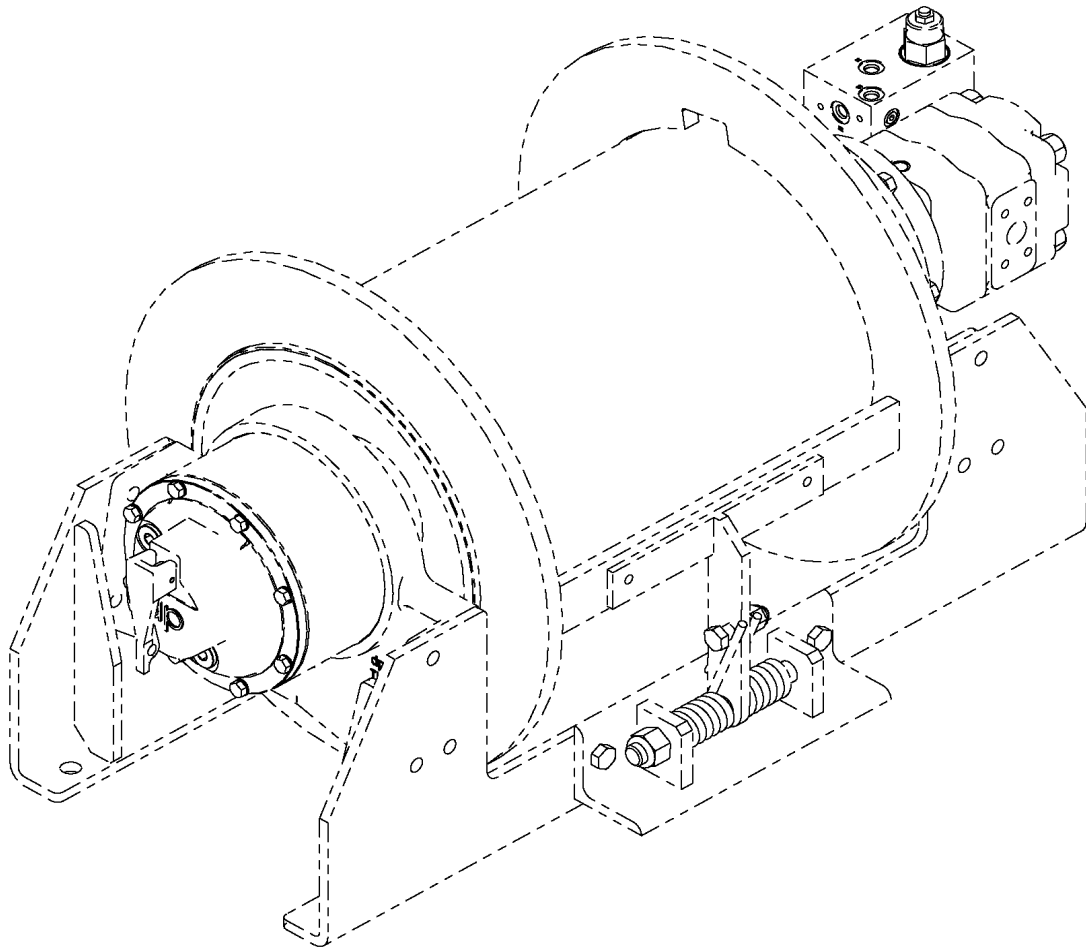
# Manitowoc Cranes

Description  
STOP ASSY #500

Assembly No.  
80110581  
Revision: A

Item	FN	Part	Qty	Description
1		1766909	1	PIN
2		5483550	4	HEX LOCK NUT PA
3		5621080	2	PIN COTTER
4		5621290	2	PIN COTTER
5		84040154	4	RETAINING RING 70MM SHAFT, EXT
6		7095300	2	F WASHER
7		810256541	1	BOOM STOP OUTER TUBE
8		84040153	2	PIN 69.85 X 122.0 MM
9		810256572	1	STRUT
10		810256580	2	SPRING
11		810256592	2	BOOM STOP
12		810257812	1	ROLLER ASSY
		810257790	1	INCLUDES THE FOLLOWING PARTS
		810257802	1	BUSHING COMPOSITE 2.76 X 3.25
			1	ROLLER PLATE 70 MM
13		80107164	1	STOP SUBWELD INNER TUBE
14		810258542	1	WASHER SHOULDER

# Manitowoc Cranes



©p MFG INC  
TULSA, OK, USA

# Manitowoc Cranes

Description

**WIRE ROPE RIGGING W/ FITTING**

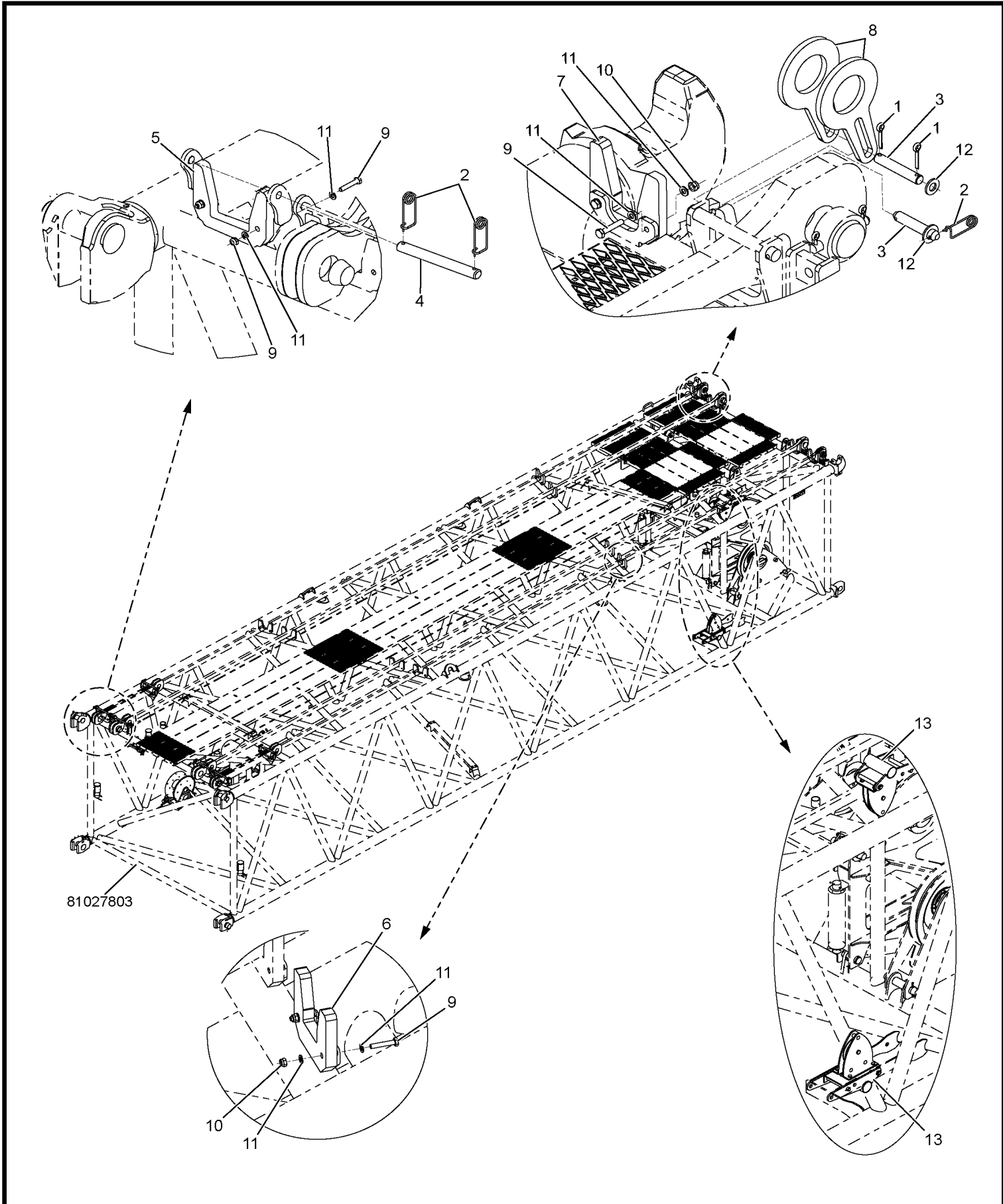
Assembly No.

**84044934**

Revision: **A**

Item	FN	Part	Qty	Description
1		<b>81024101</b>	1	WIRE ROPE 8mm (5/16 in) DIA
2		<b>84038393</b>	1	WIRE ROPE FITTING .31 ROPE EYE

# Manitowoc Cranes



81030008

(SHEET 1 OF 1)

Page 960

# Manitowoc Cranes

Description

**DECAL KIT MLC300 BOOM INSERT**

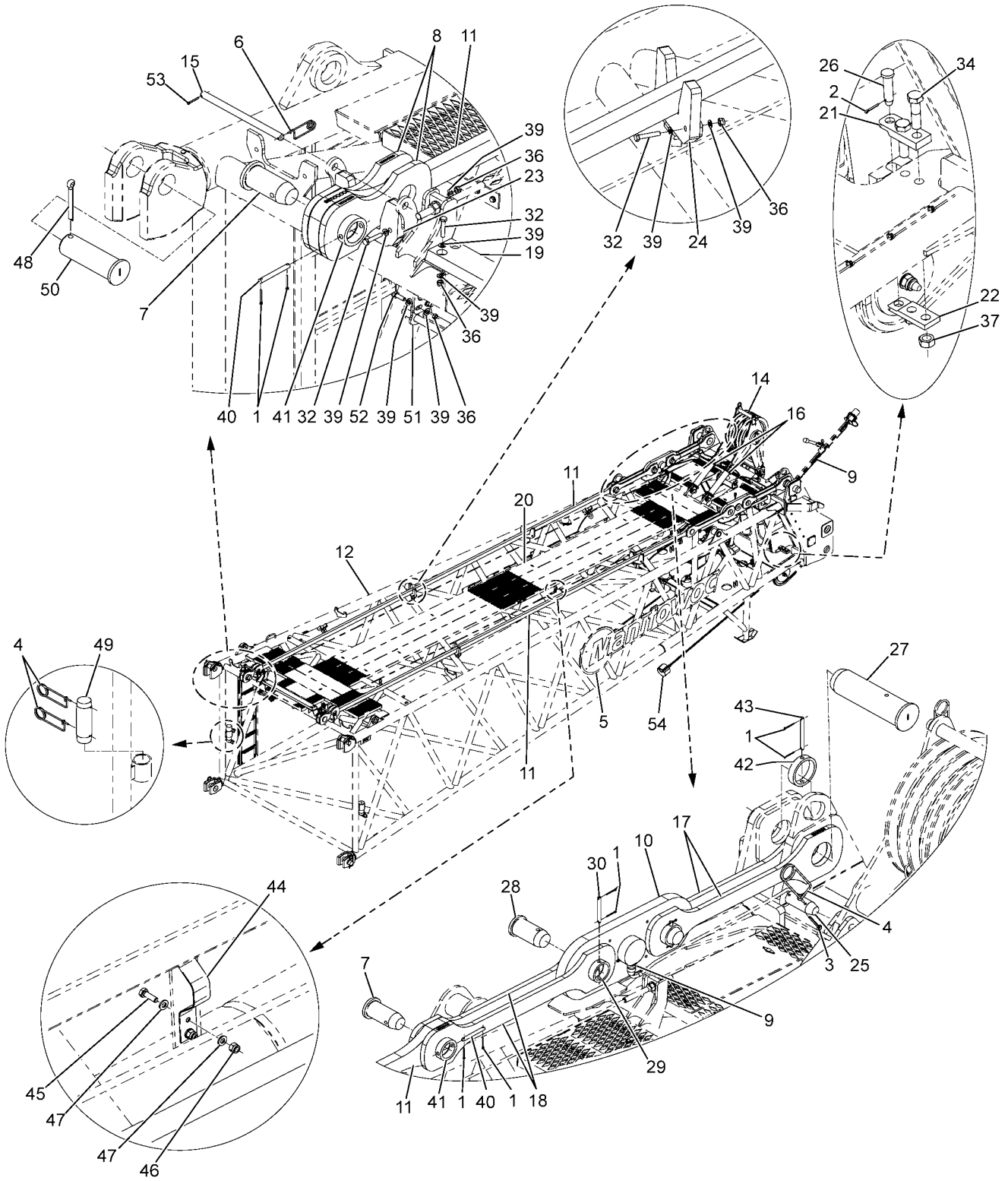
Assembly No.

**80112861**

Revision: **A**

Item	FN	Part	Qty	Description
200		<b>81041859</b>	4	DECAL INSERT LIFTING
202		<b>81007342</b>	4	DECAL-TIE DOWN POINT
203		<b>81017794</b>	8	DECAL-PERSONNEL TIE DOWN POINT
204		<b>810121832</b>	2	DECAL WARNING FALL PROTECTION
205		<b>147852</b>	2	DECAL-DANGER-BOOM HAZARD
206		<b>81007341</b>	4	DECAL-LIFT POINT

# Manitowoc Cranes



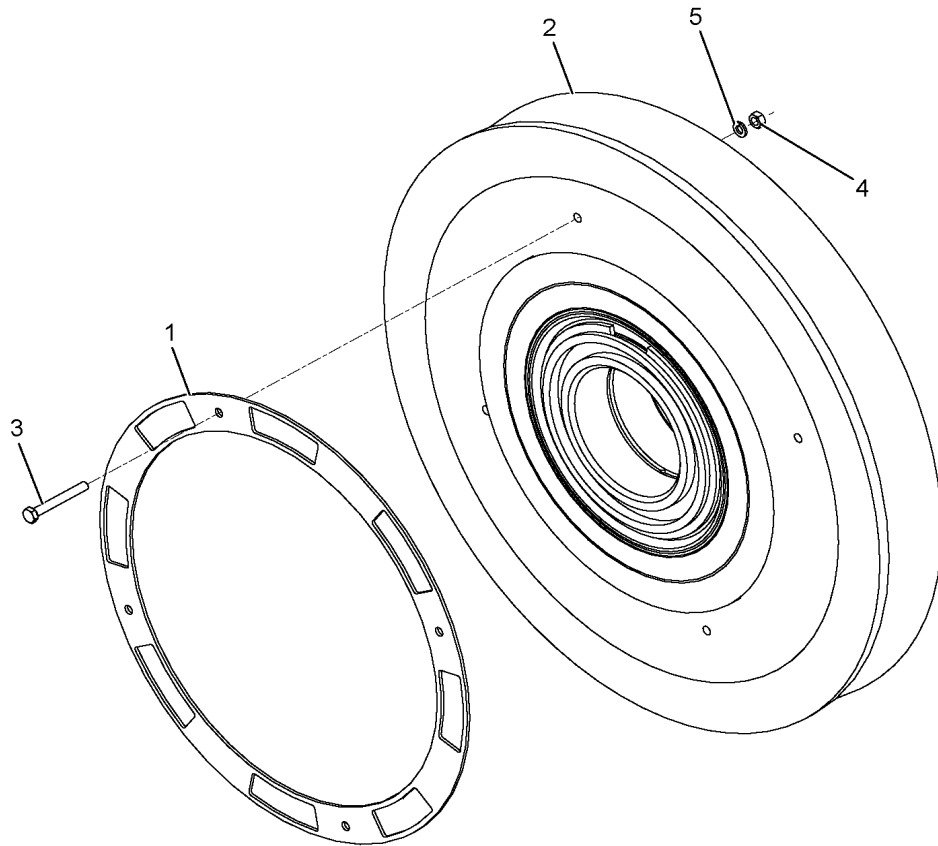
# Manitowoc Cranes

Description  
**LEVER**

**Assembly No.**  
**1770784**  
**Revision: B**

Item	FN	Part	Qty	Description
1		0700912	1	BUSHING
3		1770772	1	LEVER
5		4292590	1	FITTING, GREASE
6		5467630	1	NUT, HEX JAM
7		6124540	1	SCREW, HEX CAP

# Manitowoc Cranes



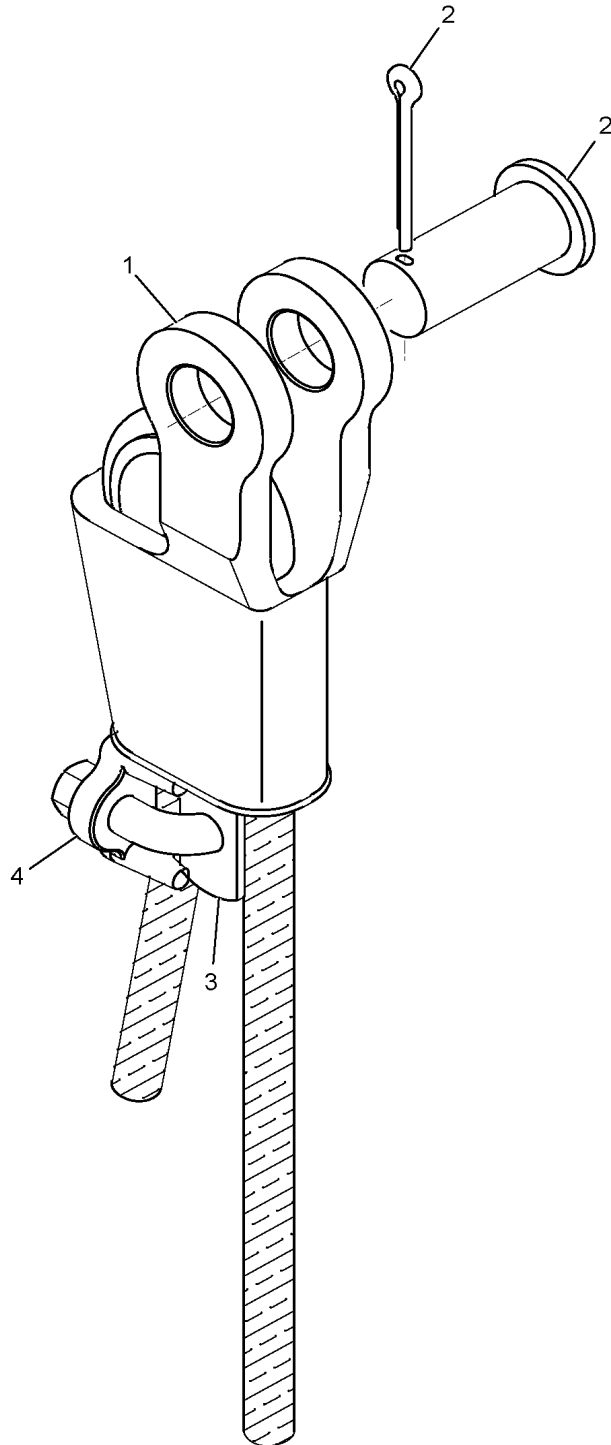
# Manitowoc Cranes

Description  
**LINK DEAD END ASSY**

Assembly No.  
**81028932**  
Revision: **A**

Item	FN	Part	Qty	Description
2		A091420	1	BUSHING

# Manitowoc Cranes



# Manitowoc Cranes

Description

**INSERT ASSY 12M M #500**

**Assembly No.**

**810278080**

Revision: E

Item	FN	Part	Qty	Description
1		5620850	8	PIN COTTER
2		5621720	2	PIN COTTER
3		5636400	4	SAFETY PIN
4		84024200	4	SAFETY PIN
5		810249512	4	PIN 1 HOLE W/HD
6		810249552	4	LINK
8		810254722	4	CLAMP CABLE
9		81027401	2	STRAP 11.78M #500
11		810277822	2	PIN 2 HOLE
12		810277952	2	TIMBER
13		81027809	1	INSERT WELD, #500 12M BRACKET REF 0-2257 FOR LACINGS (DWG 81027810)
14	+	810279002	1	CATWALK ASSY #500 12 M INSERT
15		810294422	2	BRACKET
16		810294472	4	BRACKET
17		810294520	2	BRACKET
18		7126151150	8	CAP SCREW, M6X20 HEX HEAD
19		7126191850	24	HHCS M10x55 -8.8 ISO 4014
21		7661150803	8	NUT NYLOC
22		7661190803	32	HEX LOCK NUT M10 -8 ISO 7040
23		7951150014	16	F WASHER
24		7951190014	64	F WASHER 10
25		A117992	4	PIN 2 HOLE
26		A118002	4	COLLAR
27		84026091	2	PIN 2 HOLE
28		A165342	2	PIN 1 HOLE W/HD
29		5620640	4	PIN COTTER
31		84020079	2	PIN 2 HOLE 19.1 DIA X 241.2 LG
32		84023910	2	PLATE 6X80X146.8
33		84023912	2	PLATE 6X80X80
34		7126191353	8	HHCS

+ SEE FURTHER BREAKDOWN THIS GROUP

# ***Manitowoc Cranes***

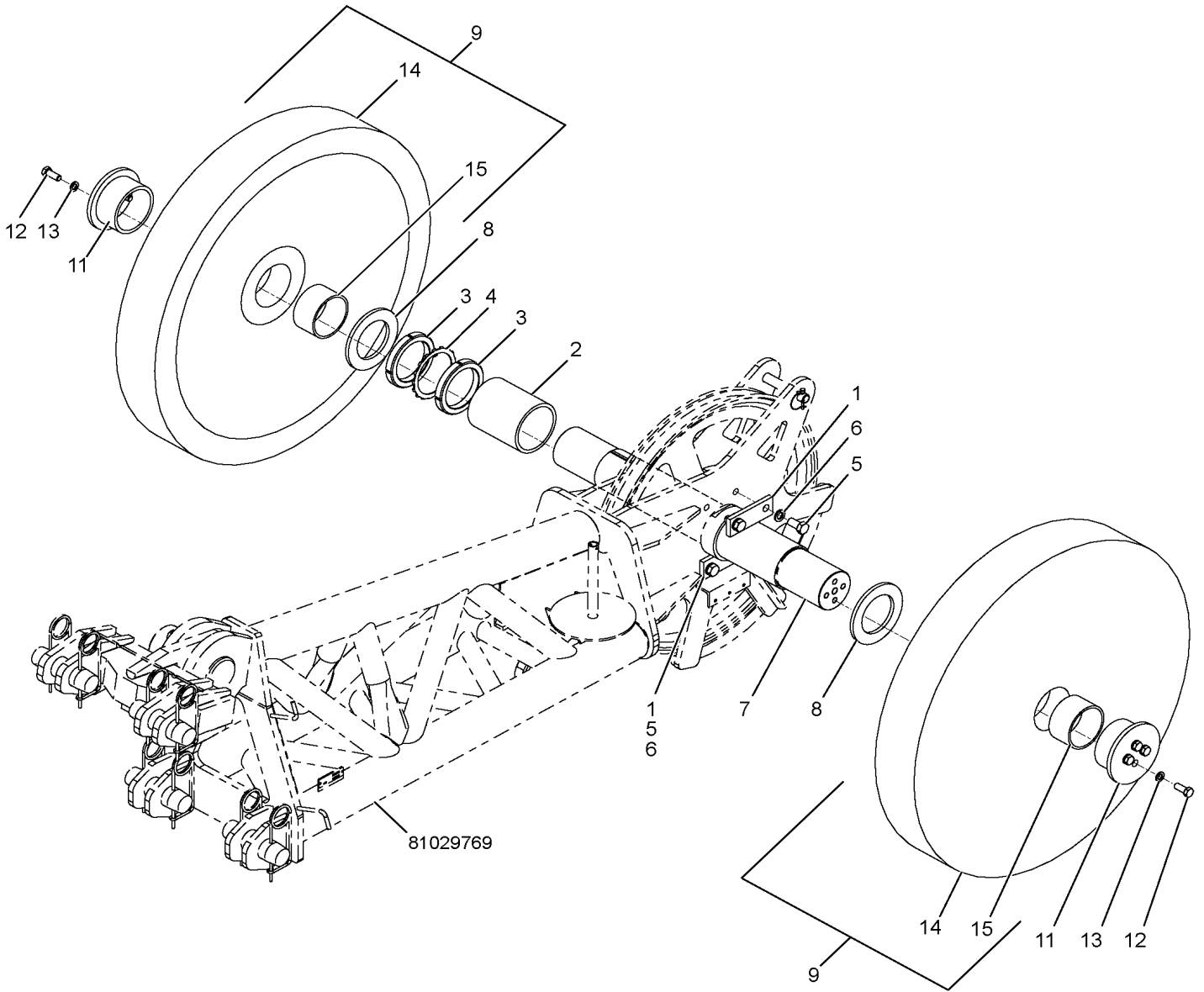
**Notes**

---

# Manitowoc Cranes

<u>Description</u> <b>PIN PULLER MAST &amp; EQUALIZER</b>				<b>Assembly No.</b> <b>81028313</b> Revision: H
Item	FN	Part	Qty	Description
1		5638230	6	PIN SAFETY
2		810280402	2	BLOCK
3		80112219	2	PIN 150.0 OD X 304.0 LG
4		81028288	8	ROD D25.4 X 376.0 LG SS
5		81028289	2	BRACKET EQUALIZER PINPULLER
6		810290592	2	PIN 1 HOLE W/HD
9		84026992	2	RETAINER PIN
10		81037573	2	BLOCK
11		80112181	2	RETAINER PIN
12		81041898	2	BUSHING INCLUDES FOLLOWING: 81041883 SLEEVE BEARING AND 81041884 BUSHING
13		81041918	2	PIN 1 HOLE D32.0 X 260.0 LG W/
14		81041920	2	BRACKET EQUALIZER ALIGNMENT
15		81041949	12	SHIM EQUALIZER SUPPORT
16		7126191353	26	HHCS
17		7126241953	4	HHCS M16x60 -8.8 ISO 4017
18		7127191555	12	CAP SCREW, M10X40 -10.9
19		7127271555	8	SFHCS
20		7661240804	12	HEX LOCK NUT PA
21		7951190220	16	L WASHER 10
22		7951240014	16	FLATWASHER 16MM I.D.
23		80127698	2	CYL HYD 40 X 255, 350 BAR
24		80127699	2	CYL HYD 45 X 390, 350 BAR
25		810010242	2	PIN 2 HOLE
26		84026987	2	FRAME MACHINING
27		84026993	2	WEAR PAD NYLON
28		7126271353	6	HHCS FULL THREAD
29		7951190014	10	F WASHER 10
30		7127241655	12	SFHCS M16x45 -10.9 ISO 10642

# Manitowoc Cranes



# Manitowoc Cranes

Alphabetical Index	Appendix A	
Description	Part	Page
<b>BRACKET</b>	810347492	413, 421
	810366502	632
	810367332	632
	81038600	767
	81039399	501
	81041093	778
	81041251	160
	81041490	887
	81041517	632
	81041518	632
	81041519	632
	81041697	495
	81042138	603
	81042732	504
	A020282	73
	A026352	47
	A026392	35
	A027690	13
	A030712	5
	A048132	147
	A074372	14
	A092112	781
	A124612	47
A124622	67	
<b>BRACKET A2B POSITION</b>	84034047	1081
<b>BRACKET AC INTERLOCK</b>	84045996	693
<b>BRACKET AC LOAD CENTER MOUNT</b>	84045997	693
<b>BRACKET ACCUMULATOR</b>	80121890	298, 373, 397, 443, 887
<b>BRACKET AIR CLEANER</b>	80115058	747
	84021748	743
	84021849	744
<b>BRACKET APU DC JUNCTION BOX</b>	81042444	809
<b>BRACKET ASSY HOSE STOWAGE</b>	81042366	317
<b>BRACKET ASSY VPC-MAX WEAR PAD</b>	81034766	253
<b>BRACKET BEACON MOUNT</b>	80125263	77
<b>BRACKET BOX JUNCTION MOUNT</b>	81038433	687
<b>BRACKET BUBBLE LEVEL</b>	80111861	148, 823
<b>BRACKET CABLE STOWAGE</b>	81042594	809
<b>BRACKET CABLE SUPPORT</b>	81042493	809
	81042557	809
	81042573	809
	84023008	809
<b>BRACKET CAC PIPING</b>	84045999	754
<b>BRACKET CAMERA ARM</b>	84032602	671
<b>BRACKET CAMERA MOUNT</b>	81040609	609, 611
	81042102	663
	84032606	671
<b>BRACKET CAMERA SUPPORT</b>	84032603	671
<b>BRACKET CAN PROGRAMMING</b>	84018939	67

From - BRACKET

To - BRACKET CAN PROGRAMMING

# Manitowoc Cranes

<b>Alphabetical Index</b>	<b>Appendix A</b>	
Description	Part	Page
CRAWLER GREASE PIPING GRACO	80119012	899
CRAWLER MACHINING	84040524	877
CRAWLER TENSIONING ASSY	84040527	877
CTWT TROLLEY MACHINING	81025627	267
CUP ANEMOMETER 02 Z 160 KRIWAN	03144496	1005
CUSHION COVER	90046849	5
CYL HYD	A055540	209
CYL HYD 1.10 ODX19.69 STROKE	84039489	14
CYL HYD 100 X 694.5, 210 BAR	80127706	829
CYL HYD 190/170 X 1067 210 BAR	80127709	863
CYL HYD 40 X 255, 350 BAR	80127698	1077
CYL HYD 40 X 60 X 207 BAR	80127704	381
CYL HYD 40 X 60, 207 BAR	80127705	435
CYL HYD 45 X 390, 350 BAR	80127699	1077
CYL HYD 50 X 140, 250 BAR	80127707	267
CYL HYD 75 x 121 207 BAR	80127697	915
CYL HYD 75 X 318, 152 BAR	80127708	147
CYL HYDR SELF ASSY AUX	80113173	353
CYLINDER HYDR	810298140	885
DECAL - WARNING CALIFORNIA PROP 6	81007557	89
DECAL (EN) 29CFR 1926.1423	810182050	89
DECAL (EN) BUILT TO ASME B30.5	1769272	89
DECAL (EN) CAUTION BOOM EQUALI	1941832	959
DECAL (EN) CAUTION HYD. TANK F	A180770	89
DECAL (EN) PATENT	1478482	89
DECAL (EN) WARNING BURN HAZARD	A081670	89
DECAL (EN) WARNING CRUSH HAZAR	810228660	90
DECAL (EN) WARNING SETUP REMOT	81033732A	89
DECAL ASSY BOOM B10:500	80106693	83
DECAL ASSY CRAWLER	80106692	83
DECAL ASSY HANDRAIL ID	81033968	83
DECAL ASSY PARTS BOX	84020213	83
DECAL ASSY ROT BED/CARBODY	80106691	83
DECAL BM WIRING	84032551	97
DECAL CAUTION BATTERY DISCONNE	A114490	89
DECAL CAUTION-WELDING	1970252	89
DECAL CCTV SWITCHER	84033860	657
DECAL COOLANT LEVEL FULL (LAND	810299740	89
DECAL DANGER ELETROCUTION HAZA	95496	89

From - CRAWLER GREASE PIPING GRACO

To - DECAL DANGER ELETROCUTION HAZA

# Manitowoc Cranes

Alphabetical Index	Appendix A	
Description	Part	Page
<b>HHCS</b>	7126191353	323, 631, 681, 754, 783, 809, 829, 911, 951, 988, 993, 1009, 1033, 1043, 1051, 1061, 1070, 1077, 1081
	7126211153	471, 539, 632, 657
	7126211353	309, 313, 339, 355, 369, 383, 391, 427, 671, 911, 963, 993
	7126211453	193, 427, 663, 911, 923, 1019
	7126271453	863
	7127171353	151
	7127342850	987
	81040466	353, 904
<b>HHCS 1/2-13UNC X 3.25 GR8</b>	7118182650	513
<b>HHCS 1/2-13UNCx4.5 G8</b>	7118183650	513
<b>HHCS 1/2-13UNCx4.75 G5</b>	7115183850	493
<b>HHCS 1/4-20UNCX0.75 G5</b>	7115140650	77
<b>HHCS 10 X 16 8.8</b>	7126191053	219, 277, 603
<b>HHCS 20 X 55 8.8</b>	6146230	355, 381
<b>HHCS 3/8-16UNC X 0.75 GR 5</b>	6124520	43, 73, 495, 539
<b>HHCS 3/8-16UNCx3.5 G5</b>	7115162850	504
<b>HHCS 5/16-18UNC X 1.25 GR 5</b>	6124070	349, 351, 1003
<b>HHCS 5/16-18UNCX0.75 G5</b>	7115150650	697
<b>HHCS 7/16-14UNCX1.25 G8</b>	7118171050	513
<b>HHCS FULL THREAD</b>	7126192253	422, 569
	7126221253	809
	7126242153	929
	7126271353	1077
	7126271853	829
	7126272053	983
	7126272253	148
	7127191553	381, 771, 783, 801
	7127192753	783
	7127211653	247, 327, 329, 414
	7127212753	327, 329
	7127221553	125
	7127221653	887
	7127241353	215
	7127271453	969, 975, 979, 983, 1009, 1091
	7127271753	799
	7127271953	267
	7127292353	349, 351
<b>HHCS FULL THREAD 30 X 70</b>	7127342153	877
<b>HHCS FULL THREAD 6 X 10 10.9</b>	7127150753	219, 625
<b>HHCS M10x100 -8.8 ISO 4017</b>	7126192653	443
<b>HHCS M10X20 8.8</b>	7126191153	275, 443, 569, 681, 809, 991
<b>HHCS M10X25 10.9 ISO4017</b>	7127191253	125, 719

From - HHCS

To - HHCS M10X25 10.9 ISO4017

# Manitowoc Cranes

Alphabetical Index	Appendix A	
Description	Part	Page
LEVER LIFTING	84040356	909
	84040357	909
LEVER PINPULLER ZINC	810280970	915
LEVER WELDMENT	810285882	435
LEVER, KICKOUT	90024332	935
LEVER, RELEASE	A030980	17
LIFTING SLING	81038423	1065
LIGHT 10-48V LED	81038554	609, 611, 653, 657, 667
LIGHT 15 LED	80122544	53, 71
LIGHT ASSY CONSOLE BACKLIGHT	80123310	47, 59
LIGHT ASSY VPC WARNING	80124066	339
LIGHT FLASHING LED	80124063	341
LIGHT LED BASE	80122545	53, 71
LIGHT SERVICE LIGHT ASSY	81038813	651
LIGHT, RED WARNING	5080240	1007
LIMIT SWITCH	810293291	273
	81041521	632
LIMIT SWITCH ASSY ROTARY FRONT	80130331	437
LIMIT SWITCH ASSY ROTARY LEFT	80130332	383, 669
LIMIT SWITCH ASSY ROTARY RIGHT	80130330	669
LIMIT SWITCH MOLDED 3P SUBASSY	80129368	277, 631, 675, 997, 1083
LIMIT SWITCH SUBASSY LINEAR	80129731	643
LINK	810104510	659, 957
	810249552	951, 987, 1033, 1043, 1051, 1061, 1069
	810280182	147
	810280352	987
	810280432	987
	810288662	353
	810288672	353
	810310992	1079
	810321702	1069
	810322982	1069
	A094110	343
	A105450	31
LINK #500 BOOM	81036554	1043
LINK ASSY DEAD END	81042356	229
LINK CONNECT MACHINING	84028202	929
LINK CONNECTING	A092710	343
LINK DEAD END ASSY	81028932	1023
LINK DEAD END MACHINING	84028318	1041
LINK FEMALE WELD AND MACH	810289342	239, 243
LINK SELF ERECT	84041812	353
LINK, LOWER DOOR HANDLE	A027000	17

From - LEVER LIFTING

To - LINK, LOWER DOOR HANDLE

# Manitowoc Cranes

Alphabetical Index	Appendix A	
Description	Part	Page
PLATE KEEPER	81029775	1079
	81042530	1095
	A003142	355, 391, 427
	A017542	147
	A111999	877
	A163112	877
	A197342	215
PLATE KEEPER 10MM	810347912	255
PLATE KEEPER 20.0 MM	810278922	983
PLATE KEEPER 3.2MM	810315242	267
	810315252	267
PLATE KEEPER HARD STOP	810347632	253
PLATE LOAD CENTER	84046626	632
PLATE LOCKING	84048025	160
PLATE MOUNTING	1687772	913
	A026332	43
	A029700	27
PLATE SWITCHER	84045930	657
PLATE VALVE MOUNTING	810291590	223
PLATE WELD GP 4 DIN3015	810275930	559, 581
PLATE WELD GRP 1 DIN3015-1	84018923	588
PLATE WELD GRP 3 DIN3015-1	81038532	443, 569
PLATE, KEEPER	1765302	435
	1765312	381, 435
PLATE, ORFICE	9372220148	211
PLATE, STRIKER	A026210	13
PLATFORM	810286332	148
	810296732	215
	810302572	871
	81040492	163
	81041331	160
PLATFORM ASSY	810269922	347
	810292552	347
	810298032	159
	81041286	159
PLATFORM ASSY 2327 X 540 CAB S	810296433	148
PLATFORM ASSY ROT BED	81042928	193
	81042929	193
PLATFORM ASSY ROT BED INSIDE	81042241	160
PLATFORM ASSY ROT BED REAR	81040151	159
PLATFORM ASSY ROTATING BED	84046402	159
	84046403	159
PLATFORM CAB RIGHT SIDE	81038511	148
PLATFORM CARBODY	81026991	821
PLATFORM CARBODY WELDMENT	810302282	351
PLATFORM ROT BED REAR LEFT	81039622	189

From - PLATE KEEPER

To - PLATFORM ROT BED REAR LEFT

# Manitowoc Cranes

Alphabetical Index	Appendix A	
Description	Part	Page
SREW SET, 6.0 DIA X 8 LG	84021332	224
STACK & SEAL KIT	90040064	357
STANDOFF	A126600	67
STEP WELDMENT	84027349	829
STOP ASSY #500	80110581	911
STOP SUBWELD INNER TUBE	80107164	921
STRAP	6670050	681
	6670060	75, 219, 273, 341, 801, 805, 923, 1081
	6670070	21, 339, 617, 671, 923, 991, 1015, 1081
	6670080	923, 991
	810288292	215
STRAP 0.68M #500	81032002	1069
STRAP 1.69 M #500	81036553	1043
STRAP 10.22M #500	81032003	1069
STRAP 11.78M #500	81027401	951, 1051, 1061
STRAP 5.78M #500	81029621	1033
STRAP 7.69M #500	81027399	987
STRAP 8.07 M #500	81036552	1043
STRAP ASSY	81042537	215
STRAP LIVE MAST 1.0 M	81042538	217
STRAP NECK SETUP REMOTE	810305880	649
STRAP WAIST SETUP REMOTE	810305870	649
STRAP, CABLE TIE	810134310	1005, 1007
STRAP, CARGO NET	A027800	31
STRIP RUBBER	A030960	25
	A033110	632
STRIP, RUBBER SEAL DOOR EDGE	A030740	13
STRIP, RUBBER SEAL DOOR INSIDE	A030730	17, 19
STRIP, RUBBER SEAL DOOR/CAB	A033100	14
STRIP, SAFETY WALK	6677480	41, 58
STRUT	810256572	921
	810277702	987
STRUT ASSY ROT BED UPPER	810286882	111
STRUT MACHINING	81039791	1093
STRUT MACHINING LH	81039828	1093
STRUT MACHINING RH	81039741	1093
STUD	810291962	275
	A030240	23, 27
STUD STANDOFF 38 HEX M-F 3.0	81025613	638
STUD, SELF CLINCHING CAPTIVE	A026890	17

From - SREW SET, 6.0 DIA X 8 LG

To - STUD, SELF CLINCHING CAPTIVE

# Manitowoc Cranes

Numeric Index		Appendix B
Part	Description	Page
1953192	PIN	799
1956662	PIN 2 HOLE	435
1963692	ELBOW RUBBER, MODIFIED 407040	753
1963992	PIN	1079
1970252	DECAL CAUTION-WELDING	89
2241950	BEARING, BALL	913
2250190	BEARING	1023, 1029, 1089
2250650	BEARING ROLLER	971, 977, 981, 985, 1011
2251050	BEARING LOCKNUT	1091
2251110	BEARING LOCK WASHER	1091
2254890	BEARING	73
2256650	BEARING, SPHERICAL ROLLER	355, 391, 427
2361430	FUSE BLOCK	637
2442030	C BOLT	297
2442050	C BOLT	297
2491980	SQ BOLT	767
2503890	HHCS	767
2504530	HHCS	457
2528810	SCREW, SOCKET SET	675, 997, 1083
2752290	BREAKER CIRCUIT	693
2752330	BREAKER CIRCUIT	687
275324	BREAKER CIRCUIT 120 AMP	637
2774360	PENDANT EACH	673, 1041
2888300	PIPE, HEX BUSHING	223
2897970	BUSHING	645
2898180	BUSHING, COMPOSITE	1003
2898230	BUSHING	393
2898270	BUSHING	147
2898290	BUSHING	381, 435
2900130	BUSHING 1.004 X 1.189 X 1.25	381, 435
2900240	BUSHING	435
2967160	CABLE PER FOOT	813
2971480	CABLE WIRE #4 THHN WHITE	693
2971490	CABLE WIRE #4 THHN BLACK	693
2971810	CABLE, LO-TEMP	1007
2972110	CABLE, WIRE	279, 281, 383, 437, 635, 647, 669, 679, 1001, 1087
2972140	CABLE	65
2974710	ELEC CABLE	625
2977100	CABLE WIRE 6 AWG-BLACK	639

From - 1953192

To - 2977100

# Manitowoc Cranes

Numeric Index		Appendix B
Part	Description	Page
7126152053	HHCS M6x65 -8.8 ISO 4017	275, 631, 831, 993
7126152253	HHCS M6x75 -8.8 ISO 4017	541
7126170853	HHCS M8x12 -8.8 ISO 4017	471, 621, 625
7126170953	HHCS M8x14 -8.8 ISO 4017	559
7126171053	HHCS M8X16 SS ISO 4017	69, 119, 147, 331, 373, 443, 542, 653, 657, 681, 753, 887
7126171055	SFHCS M8X16 A2-70 ISO 10642	135
7126171150	CAP SCREW, M8 X 20MM HEX HEAD	297
7126171153	HHCS M8X20 8.8 ISO 4017	43, 148, 159, 283, 398, 717, 741, 743
7126171155	SCREW, SOCKET FLAT	19, 135
7126171250	CAP SCREW, M8X25 HEX HEAD	148
7126171253	HHCS M8X25 8.8 ISO 4017	5, 160, 175, 193, 397, 445, 446, 603, 835, 867
7126171254	SHCS M8x25 -8.8 ISO 4762	767
7126171353	HHCS M8X30 8.8 ISO 4017	163, 167, 171, 175, 193, 283, 809, 903
7126171450	CAP SCREW, M8X35-8.8 HEX HEAD	119
7126171453	HHCS M8x35 -8.8 ISO 4017	163, 461, 531
7126171553	CAP SCREW, M8 X 40MM HEX HEAD	777
7126171653	HHCS M8x45 -8.8 ISO 4017	559, 603
7126171753	CAP SCREW, M8X50 HEX HEAD	532, 545, 553, 581
7126171850	CAP SCREW, M8 X 55MM HEX HEAD	531, 671
7126171853	HHCS M8x55 -8.8 ISO 4017	331
7126171953	HHCS M8X60 SS ISO 4017	771
7126172050	HHCS M8x65 -8.8 ISO 4014	495
7126172053	HHCS M8x65 -8.8 ISO 4017	470
7126172150	CAP SCREW, HEX HEAD M8X70MM	471, 1013
7126172250	HHCS M8x75 -8.8 ISO 4014	461
7126172353	HHCS M8X80 8.8 FLZN 4017	504
7126172550	CAP SCREW, M8X90	835
7126172650	HHCS M8x100 -8.8 ISO 4014	771
7126172750	HHCS M8x110 -8.8 ISO 4014	294
7126190753	SCR CAP HEX HD M10-1.5 X 10 8.	1081
7126191053	HHCS 10 X 16 8.8	219, 277, 603
7126191153	HHCS M10X20 8.8	275, 443, 569, 681, 809, 991
7126191250	HHCS M10X25 8.8 FLZN ISO 4014	331
7126191253	HHCS	223, 277, 315, 435, 437, 609, 611, 631, 641, 659, 681, 741, 831, 897, 957, 1009, 1081

From - 7126152053

To - 7126191253

# Manitowoc Cranes

Numeric Index		Appendix B
Part	Description	Page
7556803612	HOSE ASSY 1.50 ID X 36 LG	457
7565204526	HOSE ASSY CODED	845
7565206628	HOSE ASSY 1.00 ID X 66 LG	551
7565305066	HOSE ASSY 1.25 ID X 50 LG	547
7565305661	HOSE ASSY CODED 1.25 ID X 56 L	569
7565306262	HOSE ASSY 1.25 ID X 62 LG	547
7565306366	HOSE ASSY 1.25 X 63 LG	547
7565306566	HOSE ASSY 1.25 ID X 65 LG	547
7565306966	HOSE ASSY 1.25 ID X 69 LG	547
7565308161	HOSE ASSY CODED 1.25 ID X 81 L	421
7565308363	HOSE ASSY 1.25 ID X 83 LG STR	413
7565309261	HOSE ASSY CODED 1.25 ID X 92 L	421
7565309263	HOSE ASSY 1.25 ID X 92 LG STR	413
7565315164	HOSE ASSY CODED	597
7565315764	HOSE ASSY CODED	597
7565325173	HOSE ASSY 1.25 X 251 STR/90	581
7565325673	HOSE ASSY 1.25 X 256 STR/90	581
7566600700	HOSE ASSY	457
7566600900	HOSE ASSY 3.00 OD X 9 LG	457
7566601600	HOSE ASSY CODED	457
7567600051	HOSE ASSY .75 ID X 051 LG	703, 705
7567600066	HOSE ASSY .75 ID X 66 LG	763, 765
7567601019	HOSE ASSY CODED	763
7567601024	HOSE ASSY 7555502402 .75 ID X	765
7567601036	HOSE-5/8"ID FUEL STR-90	763
7567601037	HOSE ASSY CODED	763
7567601078	HOSE ASSY CODED 0.75 ID X 078	805
7568307250	HOSE ASSY CODED	503
7568308050	HOSE ASSY CODED 1.00 ID X 80 L	503
7568405074	HOSE ASSY CODED	845
7568405274	HOSE ASSY CODED	845
7568405374	HOSE ASSY CODED	845
7568406076	HOSE ASSY CODED	888
7568406676	HOSE ASSY CODED	493
7568407176	HOSE ASSY 1.25 ID X 71.0 LG	569
7568409070	HOSE ASSY 1.25 ID X 90 LG	517
7568410070	HOSE ASSY 1.25 ID X 100 LG	517
7573606917	HOSE ASSY 1.00 ID X 69 LG	845
7573708617	HOSE ASSY 1.25 ID X 86 LG	413

From - 7556803612

To - 7573708617

# Manitowoc Cranes

Numeric Index		Appendix B
Part	Description	Page
810114700	Q DISCON FITTING	517, 569, 887
810114710	Q DISCON FITTING	587, 845
810114770	FLANGE ASSY SPLIT CODE 62	517, 569, 581, 845, 887
810115390	WIRE RING	185, 319, 503, 517, 559, 575, 597, 887
810115650	FITTING ADAPTER STRAIGHT, 3/4	771
810118440	DECAL, MANITOWOC LOGO (30") W	109, 207
810118460	DECAL, MANITOWOC LOGO (40") W	109
810118730	INDICATOR SERVICE	743
810119902	PIN 1 HOLE W/HD 15.77 DIA X 38	1095
810120120	KIT, SEAL	261, 333, 377, 409, 417, 425, 449, 507, 591, 855
810120130	REPAIR KIT F	233, 289, 521, 561, 571, 583, 599, 891
810120180	KIT, SEAL	443, 593, 849
810120190	KIT, CARTRIDGE	523, 573, 893
810121130	CHANNEL	687
810121640	Q DISCON FITTING	517, 915
810121650	Q DISCON FITTING	443, 531, 588
810121670	CAP DUST	444, 532, 588
810121832	DECAL WARNING FALL PROTECTION	93, 97, 949, 959, 965, 967, 973
810122900	PLUG (SAE -4)	470, 559
810122910	FITTING, PLUG	298, 397, 469, 887
810122920	PLUG (SAE -8)	397, 469, 501, 541
810122930	FITTING, PLUG	835
810122940	PLUG (SAE -12)	541
810122950	FITTING PLUG	504, 559, 927
810122980	FITTING PLUG -32 ORB	223
810125342	LATCH, LIFT AND TURN COMPRESSI	747, 785, 795, 797
810132150	CLAMP	741
810133370	FITTING ADAPTER STRAIGHT	753
810134310	STRAP, CABLE TIE	1005, 1007
810136150	LATCH, SLAM ACTION PADDLE LOCK	13
810136400	VALVE MANIFOLD	397, 443, 469
810136490	VALVE MANIFOLD ASSY 2 BK D03 2	297, 867
810136500	VALVE MANIFOLD	297, 469
810137070	HOSE	753
810137520	MOUNT	617, 632
810138560	PIN WIRE LOCK	1093
810138810	FITTING ADAPTER STRAIGHT	588

From - 810114700

To - 810138810

# Manitowoc Cranes

Numeric Index		Appendix B
Part	Description	Page
810279320	VALVE MANIFOLD	835
810279442	BRACKET	753
810279472	GUIDE MACH DRUM 6 UPPER	969
810279502	HOIST FRAME	381
81027972	JACK CYL ASSY LOWERWORKS	859
810279750	TUBING POLYOLEFIN	65
810280071	GUIDE ASSY	929
810280082	SHAFT	939
810280092	GUIDE WIRE ROPE	939
810280102	BRACKET	939
810280142	BRACKET	147
810280182	LINK	147
810280212	SHIM PACK	313
810280332	WEAR PAD VPC TROLLEY	313
810280352	LINK	987
810280372	BUTT MACHINING	911
810280402	BLOCK	427, 1077
810280432	LINK	987
810280450	TURNBUCKLE	915
810280472	CATWALK	1017
810280522	CATWALK	1017
810280532	CATWALK	1017
810280652	BRACKET	741
810280762	CATWALK	1017
810280850	HOSE	753
810280940	TURNBUCKLE	915
810280950	TURNBUCKLE	915
810280970	LEVER PINPULLER ZINC	915
810281592	RETAINING RING	209
810281602	RETAINING RING	209
810281612	MAST SUPPORT	215
810281632	ARM	209
810281650	TUBE PREFORMED	845
810281660	TUBE PREFORMED	845
810281840	TUBE PREFORMED	845
810281860	TUBE PREFORMED	851
810281900	SBCS M12 X 1.75 X 50 18-8 SS	219, 413, 421, 845
810282092	TUBE PREFORMED	852
810282121	ESI VPC WIRING	267

From - 810279320

To - 810282121

# Manitowoc Cranes

Numeric Index		Appendix B
Part	Description	Page
81036263	FITTING ADAPTER STRAIGHT	501
81036265	FITTING ADAPTER STRAIGHT ORFS	259
810362792	PLATE	531
810362840	PIN WITH HEAD	427
81036288	ROLLER ASSY ROLLER W/ BUSHING	1091
81036289	ROLLER 127X990X140 POLY	1091
81036291	ESI R CONSOLE RECPT	58
81036292	BRACKET RIGHT CONSOLE RECEPAC	67
81036358	ELEC CONNECTOR DT06-3S-EP11	831
81036495	RELAY 24V TIME DELAY	638
81036544	CATWALK #500 12M MED W/EQ	1043
81036552	STRAP 8.07 M #500	1043
81036553	STRAP 1.69 M #500	1043
81036554	LINK #500 BOOM	1043
81036597	PLATE	541
81036598	PIN 2 HOLE 19.1 DIA X 230.0 LG	1043
81036599	BRACKET STRAP	1043
810366431	WEAR PAD ASSY VPC TROLLEY	267
810366502	BRACKET	632
810366562	GAUGE WEAR PAD SETTING	313
81036660	SHIM	221
81036713	FITTING STRAIGHT	775
81036714	FITTING ADPTR TEE 10 MIO X 10	803
810367332	BRACKET	632
81036744	CAPACITOR	65
81036762	FITTING ADAPTER STRAIGHT	772
81036803	Q DISCON FITTING HYD COUPLER 1	705, 805
81036804	Q DISCON FITTING HYD NIPPLE 12	703, 805
81036913	WIRING HARNESS WCR5	58
81036919	VALVE CHECK	373
81037013	CATWALK 241.9MM X 1066.5MM	1047
81037015	CATWALK 120.7 MM X 2409.6 MM	1047
81037016	CATWALK 120.7 MM X 2981.0 MM	1047
81037019	CATWALK 685.7MM X 733.3MM	1047
81037022	PLATE	259
81037044	CONSOLE RIGHT HAND ASSY	43
81037048	NAMEPLATE WIPERS HVAC RADIO	57
81037051	NAMEPLATE ENGINE START VPC	57
81037055	SWITCH KEY 3 POS CTR RETURN	655

From - 81036263

To - 81037055

# Manitowoc Cranes

Numeric Index		Appendix B
Part	Description	Page
84029962	TUBE ASSY LIVE MAST CYL	603
84029963	TUBE ASSY LIVE MAST CYL	603
84029964	TUBE ASSY LIVE MAST CYL	603
84029965	TUBE ASSY LIVE MAST CYL	603
84029968	TUBE ASSY RETURN	553
84029969	TUBE ASSY PRESSURE	553
84029970	TUBE ASSY RETURN	553
84029971	TUBE ASSY PRESSURE	553
84030059	TUBE ASSY CYL EXTEND/RETRACT	532
84030060	TUBE ASSY CYL EXTEND/RETRACT	532
84030184	PLATE 6.0 MM	569
84030185	PLATE 6.0 MM	569
84030409	HYD MOTOR TROLLEY LEFT SIDE	267
84030410	HYD MOTOR TROLLEY RIGHT SIDE	267
84030412	ESI CARBODY	823
84030447	COVER CRAWLER AUTO LUBE	904
84030448	BRACKET CRAWLER AUTO LUBE	904
84030449	BRACKET CRAWLER AUTO LUBE	904
84030650	BRACKET WEAR PLATE SCRAPER	283
84030667	BRACKET, DOOR BRAKE MOUNTING	25
84030729	ADAPTER RIGGING WINCH ASSY	929
84030730	ADAPTER RIGGING WINCH	945
84030733	SPRING	25
84030841	EYE BOLT	25
84031114	PIN 12.7 DIA X 40.0	945
840316059	ACCUMULATOR-CHARGED PISTON 1.1	445
84031711	CABLE .75-10X381.50	955
84032131	TIMBER 38.1X88.9X1375.0	1043
84032278	TUBE ASSY LIVE MAST CYL	603
84032299	SLIP RING ASSY 5 CONDUCTOR	831
84032352	ELEC CABLE GROUNDING CAP	621
84032353	ELEC CABLE GROUNDING CAP	219
84032377	CABLE .75-10X402.27 (IN)	1073
84032550	CABLE .75-10 X 339.50 (IN)	1017
84032551	DECAL BM WIRING	97
84032559	HYD EQUIP JACKING CYL VALVES	859
84032560	JACK CYL ASSY CARBODY	821
84032593	WIRING HARNESS 2-POLE EXTENSIO	667
84032602	BRACKET CAMERA ARM	671

From - 84029962

To - 84032602

# Manitowoc Cranes

Numeric Index		Appendix B
Part	Description	Page
A026890	STUD, SELF CLINCHING CAPTIVE	17
A026910	SCREW, HEX FLANGE	17
A026920	SCREW, OVAL MACH PHILLIPS	17
A026930	NUT, FLAT OPEN BLIND RIVET	17
A026940	NUT, HEX LOCK	13, 17
A026970	JOINT, BALL FEMALE	17
A026980	ROD, THREADED	17
A026990	LINK, UPPER DOOR HANDLE	17
A027000	LINK, LOWER DOOR HANDLE	17
A027010	SPRING, DOOR HANDLE	17
A027140	ROLLER ASSY CAB DOOR FRONT TRO	13
A027230	HFLGS	23, 27
A027240	NUT, HEX LOCK	23, 27
A027330	INSERT, THREADED	29, 35
A027690	BRACKET	13
A027790	SPEAKER, RADIO	31
A027800	STRAP, CARGO NET	31
A028092	BRACKET, FIRE EXT/WIRING	31
A028152	BRACKET, SHELVING COMPARTMENT	29
A028172	BRACKET, FRONT LOCKER WALL	29
A028190	SHELF, REAR	29
A028432	COVER PLATE, CAB REAR OVERHEAD	31
A028560	PLUG HOLE	3, 43
A028570	HSSS CUP	47
A029470	DIODE	73
A029530	REDUCER RUBBER	743
A029650	BUSHING	17
A029660	BRACKET DOOR TOP ROLLER MACH	17
A029670	BRACKET DOOR TOP ROLLER ARM	17
A029690	MOUNT TRACK DOOR REAR	13
A029700	PLATE MOUNTING	27
A029710	BRACKET DOOR BOTTOM INNER	13
A029740	SHSS	17
A029780	SHCS LOW HD	17
A029790	BEARING BALL	17
A029892	BRACKET, FLOOR MAT EDGE TRIM	41
A029990	FITTING ADAPTER SPECIAL	743
A030010	BAR RD DOOR LATCH STRIKER	13
A030020	BUSHING LOWER DOOR TROLLEY	13

From - A026890

To - A030020

CLICK HERE TO **DOWNLOAD** THE COMPLETE MANUAL

- Thank you very much for reading the preview of the manual.
- You can download the complete manual from: [www.heydownloads.com](http://www.heydownloads.com) by clicking the link below



- Please note: If there is no response to CLICKING the link, please download this PDF first and then click on it.

CLICK HERE TO **DOWNLOAD** THE COMPLETE MANUAL