

Manitowoc Cranes MACHINE COMPONENT INDEX

Date: September 01, 2022

Rev: 003

<u>Model Number</u> MLC300		<u>Serial Number</u> 3001126	
Item	Part	Description	Page
		ROTATING STRUCTURE	
1	81021912	CAB ASSY 24V CCS	3
	81022373	SEAT ASSY CAB	5
	810243544	CAB ASSY	7
	810218742	EXTERIOR EQUIP CAB ASSY	13
	81021878	DOOR ASSY CAB	17
	81021879	WINDOW ASSY CAB	19
	810219011	WINDSHIELD WIPER ASSY CAB	21
	A027140	ROLLER ASSY CAB DOOR FRONT TRO	23
	810302802	BRAKE ASSY CAB DOOR BRAKE	25
	A037000	ROLLER ASSY	27
	810218752	INTERIOR EQUIP CAB AIR DUCTS	29
	81021876	INTERIOR EQUIP CAB ASSY	31
	810218772	INSULATION ASSY CAB	33
	80113630	HVAC ASSY CAB	35
	84039648	HVAC KIT CAB INSIDE PARTS	37
	90046833	PEDESTAL UNIT	39
	810223752	MAT FLOOR ASSY CAB	41
	80113624	CONSOLE CONTROL ASSY CAB	43
	81019747	CONSOLE LEFT HAND ASSY	47
	A024680	CONTROLLER, JOYSTICK	51
	80123310	LIGHT ASSY CONSOLE BACKLIGHT	53
	81037044	CONSOLE RIGHT HAND ASSY	57
	84054782	DISPLAY CCS COLOR	61
	810240861	ESI CONSOLE RIGHT HAND	63
	A032981	ACCESSORY RADIO ASSY	65
	81036291	ESI R CONSOLE RECPT	67
	81039868	ESI CAN RECEPTACLE MOUNT	69
	80123310	LIGHT ASSY CONSOLE BACKLIGHT	71
	A02019	FOOT PEDAL ASSY THROTTLE CONTR	73
	81025906	ESI CAB INTERIOR WIRING	75
	80125411	ESI RCL LIGHT	77
1	80116194	VPC ROT BED WELD/MACHINE	79
	80115554	ROTATING BED VPC COMPONENTS	81

CLICK HERE TO **DOWNLOAD** THE COMPLETE MANUAL

- Thank you very much for reading the preview of the manual.
- You can download the complete manual from: www.heydownloads.com by clicking the link below



- Please note: If there is no response to CLICKING the link, please download this PDF first and then click on it.

CLICK HERE TO **DOWNLOAD** THE COMPLETE MANUAL

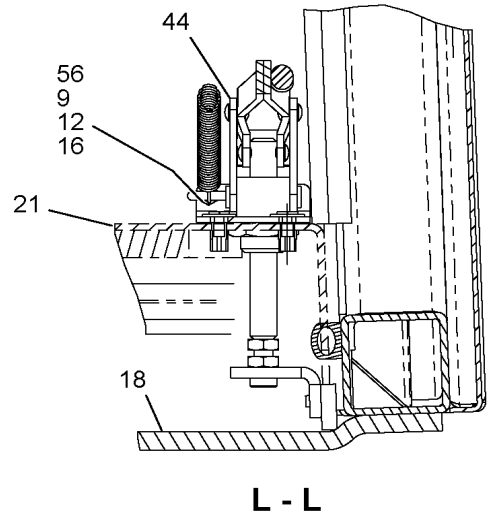
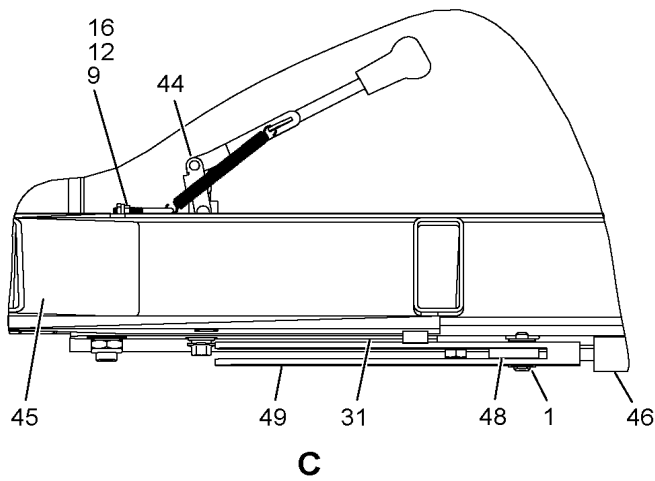
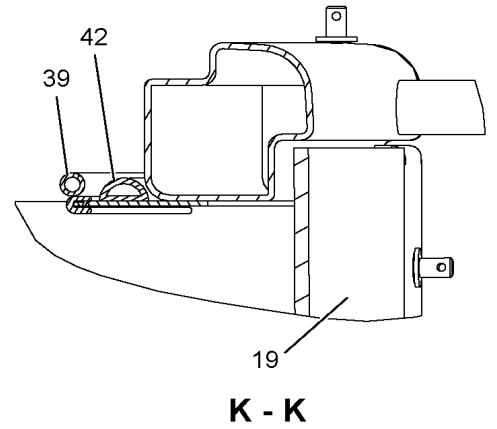
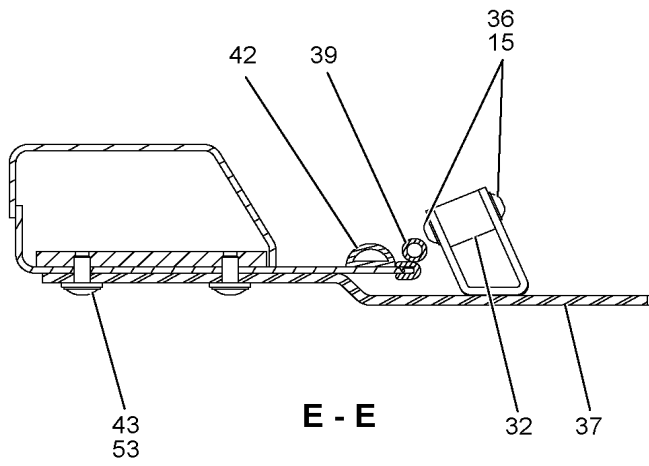
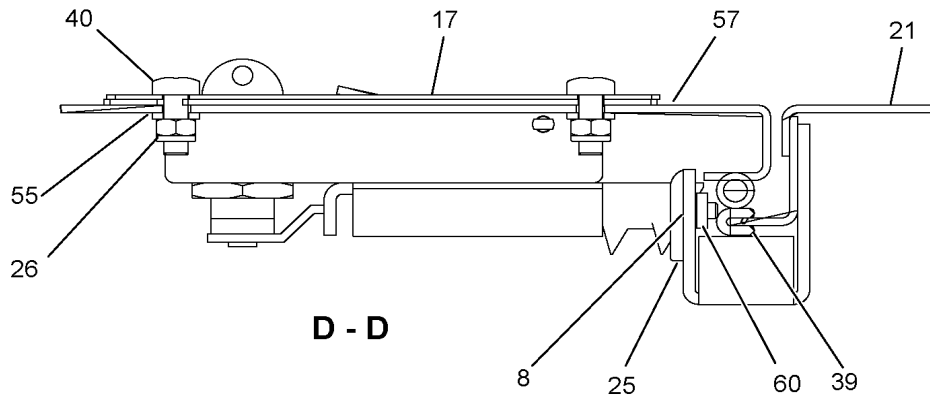
Manitowoc Cranes MACHINE COMPONENT INDEX

Date: September 01, 2022

Rev: 003

<u>Model Number</u> MLC300		<u>Serial Number</u> 3001126	
Item	Part	Description	Page
	810338541	ESI 12M INSERT	917
13	80112862	DECAL KIT MLC300 BOOM INS W/EQ	919
	81041859	DECAL INSERT LIFTING	NO DWG
	81017794	DECAL-PERSONNEL TIE DOWN POINT	NO DWG
	810121832	DECAL WARNING FALL PROTECTION	NO DWG
	1941832	DECAL (EN) CAUTION BOOM EQUALI	NO DWG
13	84050217	LUFFING JIB RIGGING LJ ON B65	NO DWG
14	81030008	INSERT LUFF JIB PREP 12M HEAVY	921
	A120120	SHEAVE ASSY RIG WINCH ZINC RIC	923
14	80112861	DECAL KIT MLC300 BOOM INSERT	925
	81041859	DECAL INSERT LIFTING	NO DWG
	81017794	DECAL-PERSONNEL TIE DOWN POINT	NO DWG
	810121832	DECAL WARNING FALL PROTECTION	NO DWG
15	80112861	DECAL KIT MLC300 BOOM INSERT	927
	81041859	DECAL INSERT LIFTING	NO DWG
	81017794	DECAL-PERSONNEL TIE DOWN POINT	NO DWG
	810121832	DECAL WARNING FALL PROTECTION	NO DWG
8	80127999	BREATHER REPLACEMENT FILTER	NO DWG
8	80127999	BREATHER REPLACEMENT FILTER	NO DWG
16	81027946	GUIDE ASSY DRUM 6 UPPER	929
17	81027949	GUIDE ASSY DRUM 6 LOWER	931
18	81029022	GUIDE ASSY DRUM 2,3 LOWER	933
19	81029628	GUIDE ASSY DRUM 2,3 UPPER	935
22	81027719	TOP ASSY #500, 10.0 M	937
	81025353	ESI BOOM TOP WIRING	941
	81025948	ESI BOOM TOP	943
	84019148	A2B DEVICE MOD TWO SPRINGS	945
	810245702	A2B DEVICE	947
	1770784	LEVER	949
	80129368	LIMIT SWITCH MOLDED 3P SUBASSY	951
	810316421	ESI POSITION LIGHT & ANEMOMETE	953
	810209900	SENSOR WIND SPEED	955
	810250570	SUBASSY POSITION LIGHT	957
	81027767	GUIDE WIRE ROPE ASSY	959

Manitowoc Cranes



Manitowoc Cranes

Description

WINDSHIELD WIPER ASSY CAB

Assembly No.

810219011

Revision: **C**

Item	FN	Part	Qty	Description
1		4720140	1	GROMMET
2		5366480	6	MOUNT
3		6670070	6	STRAP
4		A019660	1	WIPER ARM, FRONT
5		A019670	1	WIPER BLADE, FRONT
6		A019690	1	WIPER ARM, OVERHEAD
7		A019700	1	WIPER BLADE, OVERHEAD
8		A019720	2	VALVE, CHECK WASHER
9		A019730	2	CONNECTOR, BULKHEAD
10		80143293	2	HOSE WASHER 4.8 I.D.
11		A030802	1	BRACKET, WIPER MOTOR BACKING P
13		A202790	1	WIPER MOTOR, ROOF
14		A202800	1	WIPER MOTOR, FRONT

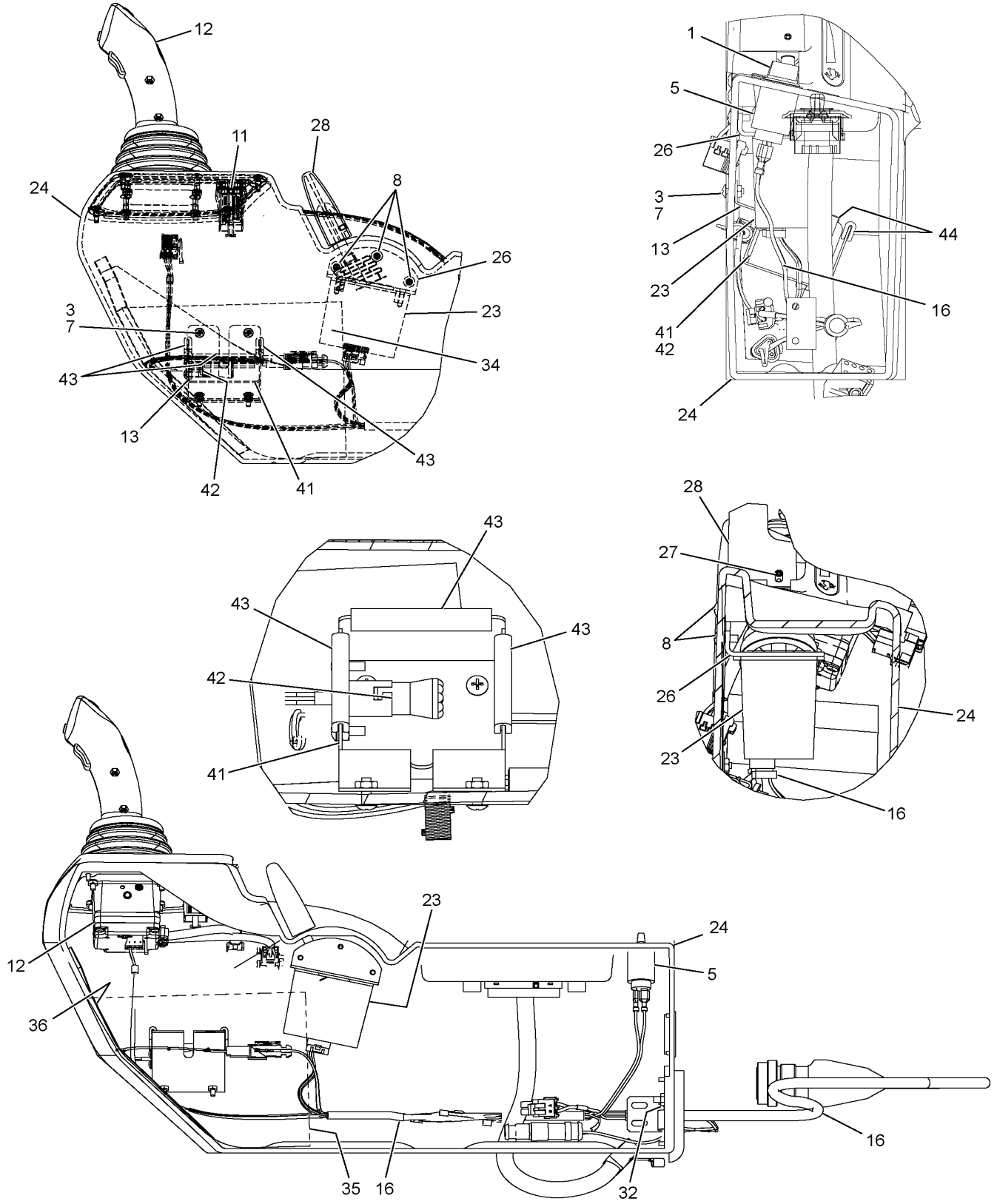
Manitowoc Cranes

Description
INSULATION ASSY CAB

Assembly No.
810218772
Revision: A

Item	FN	Part	Qty	Description
1		A025500	1	INSULATION, LEFT FRONT
2		A025510	1	INSULATION, LEFT REAR
3		A025520	1	INSULATION, RIGHT FRONT
4		A025530	1	INSULATION, RIGHT MIDDLE
5		A025540	1	INSULATION, RIGHT REAR
6		A025550	1	INSULATION, RIGHT REAR TOP
7		A025560	1	INSULATION, REAR TOP
8		A025570	1	INSULATION, REAR
9		A025580	1	INSULATION, REAR
10		A025590	1	INSULATION, REAR
11		A025740	1	INSULATION, REAR
12		A032070	1	INSULATION, LOCKER DOOR

Manitowoc Cranes



Manitowoc Cranes

Description CONSOLE RIGHT HAND ASSY				Assembly No. 81037044 Revision: R
Item	FN	Part	Qty	Description
1		3503380	2	CLOSURE
2		5460500	24	NUT, HEX
3		5460520	4	NUT, HEX
5		5460750	4	HEX NUT
6		5468370	6	NUT, HEX HEAVY
8		6177840	6	SCREW, ROUND MACH SLOTTED
9		84020658	41	FASTENER
10		6184170	32	PHIL TMS 8-32UNC X 0.50 GR 1
11		6184180	6	PHIL TMS 10-32UNF X 0.50 GR 5
12		6727510	2	BLOCK SWITCH CONTACT N.O.
13		6727520	4	BLOCK SWITCH CONTACT (1-N.C.)
14		7103010	6	L WASHER MEDIUM
17		03142615	1	JOG DIAL
18	+	84054782	2	DISPLAY CCS COLOR
19		80050811	3	DISPLAY DRUM ID
20		80084619	1	JOYSTICK-SINGLE AXIS 15 DEG L
21		80084621	1	JOYSTICK-SINGLE AXIS
22		80084622	1	JOYSTICK-SINGLE AXIS 15 DEG R
23		80084623	1	JOYSTICK-SINGLE AXIS TRAVEL
25		810032492	4	BRACKET
26		810034210	18	PHIL TMS
30		810197730	1	NAMEPLATE
31		810208870	1	WIRING HARNESS
32		810209530	1	MOUNT
33		810209530	1	MOUNT
34		810209672	2	BRACKET
35		810214650	1	SWITCH ROCKER
36		84032685	1	PRINTED PANEL DRUM HANDLES
37		810235202	1	BRACKET
39		81039686	2	SCREW #6 X .75 SM SCREW
40	+	810240861	1	ESI CONSOLE RIGHT HAND
41		7660102534	18	HEX LOCK NUT PA #10-32 UNF SS
42		80113668	2	RELAY 24V 15A
43		810247480	1	WIRING HARNESS
44		80120131	1	NAMEPLATE CONSOLE DISPLAYS
45		81035522	1	SWITCH MOMENTARY NO HORN
46		81041899	1	NAMEPLATE CONSOLE FRONT RH
47		81037048	1	NAMEPLATE WIPERS HVAC RADIO
48		81037051	1	NAMEPLATE ENGINE START VPC

+ SEE FURTHER BREAKDOWN THIS GROUP

Manitowoc Cranes

Description

ESI CAN RECEPTACLE MOUNT

Assembly No.

81039868

Revision: **B**

Item	FN	Part	Qty	Description
1		80042207	5	ELECTRIC COMPONENT MNTG CLIP
2		81039869	1	BRACKET CAN RECEPTACLES
3		7126171053	4	HHCS M8X16 SS ISO 4017
4		7661170103	4	NUT
5		7709100902	3	PLUG, 3 PIN
6		7892100036	4	RECEPTACLE, 3 WAY
7		7951170014	5	F WASHER
8		7951170220	4	WASHER, 8MM SPRING LOCK

Manitowoc Cranes

Description

ROTATING BED VPC COMPONENTS

Assembly No.

80115554

Revision: **A**

Item	FN	Part	Qty	Description
1		80111485	2	LUG FIX MAST STOP, MACH.
2		84028407	14	RETAINER VPC WEAR PAD
3		84028408	28	PIN FLAT VENT DOWEL

Manitowoc Cranes

Description
DECAL ASSY CRAWLER

Assembly No.
80106692
Revision: **A**

Item	FN	Part	Qty	Description
1		810121832	4	DECAL WARNING FALL PROTECTION
2		81042890	2	DECAL SHPNG CRAWLER
3		A073390	4	DECAL WARNING CRUSH HAZARD

Manitowoc Cranes

Description

COVER ASSY WINDOWS VISION CAB

Assembly No.

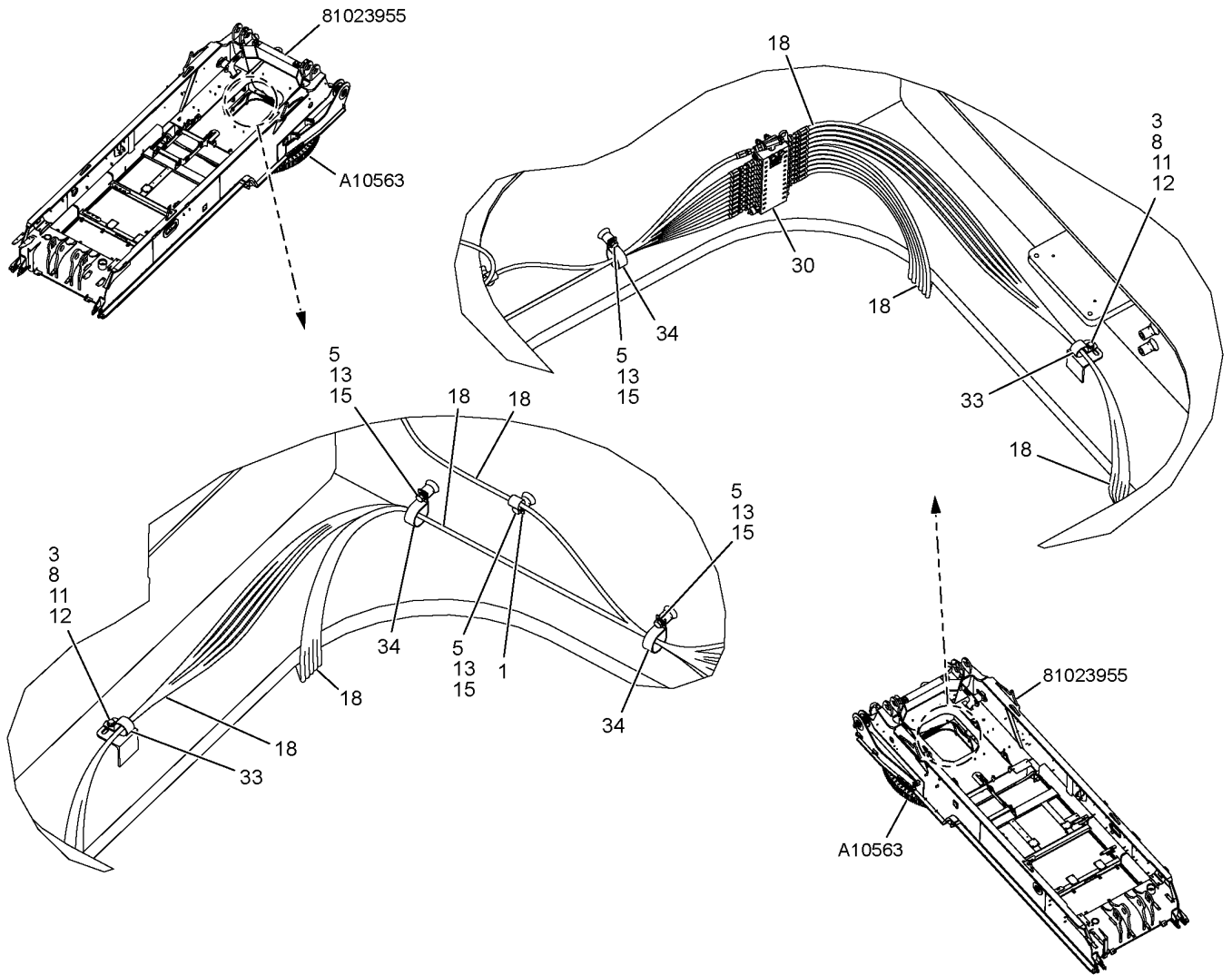
A03316

Revision: **D**

Item	FN	Part	Qty	Description
1		5638510	31	PIN HAIR COTTER
4	*	A033000	1	COVER WINDOW, RIGHT REAR
5	*	A033010	1	COVER WINDOW, RIGHT FRONT
6	*	A033020	1	COVER WINDOW, BACK
7	*	A033050	1	COVER WINDOW, FRONT
8	*	84034591	1	COVER WINDOW, TOP
13	*	810158870	1	COVER WINDOW, LEFT SIDE
20	*	4952699	1	WINDOW COVER KIT PART NOT SHOWN.

* REPAIR KIT AND/OR PART OF KIT

Manitowoc Cranes



Manitowoc Cranes

Description
KIT, OVERHAUL/SEAL

Assembly No.
5364675
Revision: E

Item	FN	Part	Qty	Description
1		9632220246	1	GASKET, END CAP
2		9632220035	2	O-RING
3		7031235	1	O-RING
4		9722221350	1	SEAL, LIP
5		9754220027	1	O-RING

Manitowoc Cranes

Description
SWITCH CAB TILT CAB

Assembly No.
81025812
Revision: **B**

Item	FN	Part	Qty	Description
1		7872100188	1	SWITCH, CAB TILT

Manitowoc Cranes

Notes

Manitowoc Cranes

Notes

Manitowoc Cranes

Description
LANYARD ASSY

Assembly No.
810293652
Revision: B

Item	FN	Part	Qty	Description
1		810070010	1	WIRE
2		810070020	2	SLEEVE
3		A126470	1	PIN SAFETY

Manitowoc Cranes

Description
LANYARD ASSY PIN

Assembly No.
81041142
Revision: A

Item	FN	Part	Qty	Description
1		810070010	1	WIRE
2		810070020	2	SLEEVE
3		5638550	1	PIN QUICK RELEASE .500 DIA X 4

Manitowoc Cranes

Description
LANYARD

Assembly No.
810293651
Revision: B

Item	FN	Part	Qty	Description
1		810070010	1	WIRE
2		810070020	2	SLEEVE
3		A126470	1	PIN SAFETY

Manitowoc Cranes

Description

DECAL KIT VARIABLE POS CWT

Assembly No.

80112860

Revision: **A**

Item	FN	Part	Qty	Description
1		95494	6	DECAL STAY CLEAR
2		81007342	8	DECAL-TIE DOWN POINT
3		81042891	1	DECAL SHPNG CWT TRAY
100		810118440	1	DECAL, MANITOWOC LOGO (30") W
101		84033884	1	DECAL SHIPPING VPC TROLLEY

Manitowoc Cranes

Description
EQUALIZER ASSY MAST HOIST

Assembly No.
81026648
Revision: J

Item	FN	Part	Qty	Description
1		80128134	11	SHEAVE ASSY 605.0 26.0
2		810283772	1	EQUALIZER
3		810283792	1	SPACER
4		810283800	2	BUSHING, COMPOSITE
5		810283812	1	SHAFT
6		810283822	1	FRAME MACHINING EQUALIZER
7		810284132	1	RETAINER
8		810284142	1	RETAINER
9		810285552	1	PLATE
10		810285562	1	PLATE
12		7127171255	6	SFHCS
15		81036660	3	SHIM ADD SHIMS AS REQUIRED TO LIMIT PLAY IN SHEAVES (TO LOCATION SHOWN).
16		7128241954	12	SHCS
17		7951240220	18	LOCK WASHER, 16MM
18		7128241754	6	SHCS

Manitowoc Cranes

Description
PARTS BOX ASSY

Assembly No.
810287691
Revision: R

Item	FN	Part	Qty	Description
1		81041594	1	PARTS BOX 1.21X .76 X .85M
6	+	810249430	1	VALVE ASSY QUICK DRAIN
11		5638170	2	PIN, HAIR COTTER
12		810100010	2	PIN HITCH
13		81042348	1	BRACKET ENERGY CHAIN SUPPORT
14		81042349	1	BRACKET ENERGY CHAIN SUPPORT
15		81042377	2	PIN 1 HOLE W/HD 20.0 X 236.0
16		810039130	1	Q DISCON FITTING
		810120130	1	INCLUDES THE FOLLOWING PARTS REPAIR KIT F
17		810039160	1	CAP DUST
18		9999101803	1	SPRAY CORROSION PREVENTATIVE
20	+	81041177	1	PUMP CRAWLER TENSIONING
21		84044204	2	WRENCH STRAP
22	+	81042356	1	LINK ASSY DEAD END
23		80132063	1	KIT, OIL SAMPLE-10PK
		80132062	10	INCLUDES THE FOLLOWING PARTS KIT, OIL SAMPLE-SINGLE
24		80135746	1	TOOL TAPE MEASURE

+ SEE FURTHER BREAKDOWN THIS GROUP

Manitowoc Cranes

Description
LINK ASSY DEAD END

Assembly No.
81042356
Revision: B

Item	FN	Part	Qty	Description
1		810289342	1	LINK FEMALE WELD AND MACH
2		6741380	1	SWIVEL
3	+	A062780	1	SOCKET BUTTON
4		A106702	2	PIN 1 HOLE W/HD
5		5621710	2	PIN COTTER

+ SEE FURTHER BREAKDOWN THIS GROUP

Manitowoc Cranes

Description

BRACKET ASSY VPC-MAX WEAR PAD

Assembly No.

81034766

Revision: **E**

Item	FN	Part	Qty	Description
1		810347682	1	BRACKET WELDMENT VPC-MAX WEAR
2		80130657	1	WEAR PAD VPC-MAX
3		810347912	1	PLATE KEEPER 10MM
4		7127211153	2	HHCS M12x20 -10.9 ISO 4017

Manitowoc Cranes

Description
ROLLER ASSY VPC

Assembly No.
810240551
Revision: B

Item	FN	Part	Qty	Description
1		4290100	1	FITTING LUBE, NPT .25
2		810266952	1	SHAFT 127 X 250, 4340
3		810266960	1	BEARING TAPER ROLLER
4		81026697	1	NUT RING M95 2
5		810266990	2	SEAL GREASE ID 155.13
6		810267000	2	RETAINING RING INT 184 DIA
7		81026701	1	ROLLER 350 X 183 70
8		7787171614	8	SCREW SET M8 X 1.25 DOG PT

Manitowoc Cranes

Description

LIMIT SWITCH MOLDED 3P SUBASSY

Assembly No.

80129368

Revision: **A**

Item	FN	Part	Qty	Description
1		80129250	1	CABLE GLAND NPT 0.50 ID 4-10
2		80129369	1	CABLE
3		810161270	1	SWITCH, LIMIT
20		80129369	2	CABLE
21		2972110	1	CABLE, WIRE

Manitowoc Cranes

Notes

Manitowoc Cranes

Description
VALVE MANIFOLD

Assembly No.
810255720
Revision: **E**

Item	FN	Part	Qty	Description
1		81025576	2	VALVE DIR CTRL D05 3P4W
2		81026821	1	MANIFOLD BLOCK 2 BANK D05
3		81026017	2	ADAPTER D05 A B SHUTTLE
4		6148540	8	SHCS 1/4-20UNC X 2.75 A574

Manitowoc Cranes

Description
BRACKET ASSY HOSE STOWAGE

Assembly No.
81042366
Revision: B

Item	FN	Part	Qty	Description
1		810039150	7	CAP DUST
2		810115390	7	WIRE RING
3		81037652	7	FITTING PLUG
4		81041239	7	PIN
5	+	81042207	7	PIN HOSE STOWAGE
6		81042323	1	PLATE HOSE STOWAGE
7		81041238	7	LANYARD

+ SEE FURTHER BREAKDOWN THIS GROUP

Manitowoc Cranes

Description

HYD LINES INSTL VPC-MAX PREP

Assembly No.

81037248

Revision: H

Item	FN	Part	Qty	Description
1		5621090	4	PIN COTTER
2		81037152	4	PIN 1 HOLE W/HD 38.0 DIA X 127
3		84036370	2	LATCH VPC-MAX
5		7447100851	2	EXPANDER
6		7951190010	4	F WASHER 10 -HRC44-51 ISO 7089
7		7126191250	4	HHCS M10X25 8.8 FLZN ISO 4014
8		7126171853	1	HHCS M8x55 -8.8 ISO 4017
9		81042178	1	HOSE ASSY VPC-MAX PREP HP
11		81042106	1	BRACKET VPC MAX QD
12		81041928	1	HOSE ASSY VPC-MAX PREP HP
13		81041927	1	HOSE ASSY VPC-MAX PREP HP
14		81041926	1	HOSE ASSY VPC-MAX PREP HP
16		810293140	6	FITTING ADAPTER STRAIGHT
17		810276040	1	COVER PLATE
18		810272080	1	CLAMP
19		810039150	6	CAP DUST
20		810039140	6	Q DISCON FITTING INCLUDES THE FOLLOWING PARTS
		810120120	1	KIT, SEAL
		90021777	1	KIT, CARTRIDGE
21		84036420	2	PLATE 3.2 X 96.3 X 365.0
22		7126171053	4	HHCS M8X16 SS ISO 4017
23		7951170014	4	F WASHER
24		84019084	1	HOSE ASSY VPC-MAX PREP LP
25		84019084	1	HOSE ASSY VPC-MAX PREP LP
26	+	80106581	2	PIN LANYARD ASSY

+ SEE FURTHER BREAKDOWN THIS GROUP

Manitowoc Cranes

Description

ROTATING BED MOD LIFT LUG PLUG

Assembly No.

81042919

Revision: **C**

Item	FN	Part	Qty	Description
1		810148362	8	PLUG HOLE

Manitowoc Cranes

<u>Description</u> GEAR BOX HOIST 84.7:1 RATIO				Assembly No. 810240160 Revision: D
Item	FN	Part	Qty	Description
1		90040063	1	SEAL KIT PART NOT SHOWN INCLUDES ITEMS 3 - 22
2		90040064	1	STACK & SEAL KIT PART NOT SHOWN INCLUDES ITEMS 23 - 46
3		9490220467	1	RING, RETAINING (EXTERNAL)
4		9576101226	3	RING, RETAINER
5		9527200043	4	RING, INTRNL SNAP (55UNI 7437)
6		9490220154	1	RING, EXTERNAL SNAP
7		9576101140	1	RING,RETAINER
8		9794220002	1	RING, PARBAK
9		9794220003	1	RING, PARBAK
10		9754220003	1	O RING
11		9754220004	2	O-RING (171.04 x 3.53)
12		5970050	1	O-RING
13		9754220053	2	O-RING
14		9490220262	2	O-RING
15		9754220055	2	O-RING
16		9490220773	1	O-RING
17		9490220569	1	SEAL
18		9490220440	2	PLUG
19		90038689	1	O-RING
20		9188220002	2	RING, INTERNAL SNAP
21		90038690	1	OIL SEAL
22		9490220119	1	RING, EXTERNAL SNAP 70UNI 7435
23		9490220467	1	RING, RETAINING (EXTERNAL)
24		9576101226	3	RING, RETAINER
25		9527200043	4	RING, INTRNL SNAP (55UNI 7437)
26		9490220154	1	RING, EXTERNAL SNAP
27		9576101140	1	RING,RETAINER
28		9794220002	1	RING, PARBAK
29		9794220003	1	RING, PARBAK
30		9754220003	1	O RING
31		9754220004	2	O-RING (171.04 x 3.53)
32		5970050	1	O-RING
33		9754220053	2	O-RING
34		9490220262	2	O-RING
35		9754220055	2	O-RING
36		9490220773	1	O-RING

Manitowoc Cranes

Description
ROLLER ASSY

Assembly No.
81039856
Revision: A

Item	FN	Part	Qty	Description
1		810043270	5	ROLLER
2		81039857	1	SHAFT 50.8X1494.0
3		81039858	2	BRACKET ROLLER LOWER
4		81039859	2	BRACKET ROLLER KEEPER
5		7126211353	8	HHCS
6		7126211553	4	HHCS M12X40 8.8 FLZN ISO 4017
7		7661210803	4	HEX LOCK NUT
8		7951210014	16	F WASHER 12 -ST ISO 7089
9		7951210210	8	LOCK WASHER, 12MM I.D.

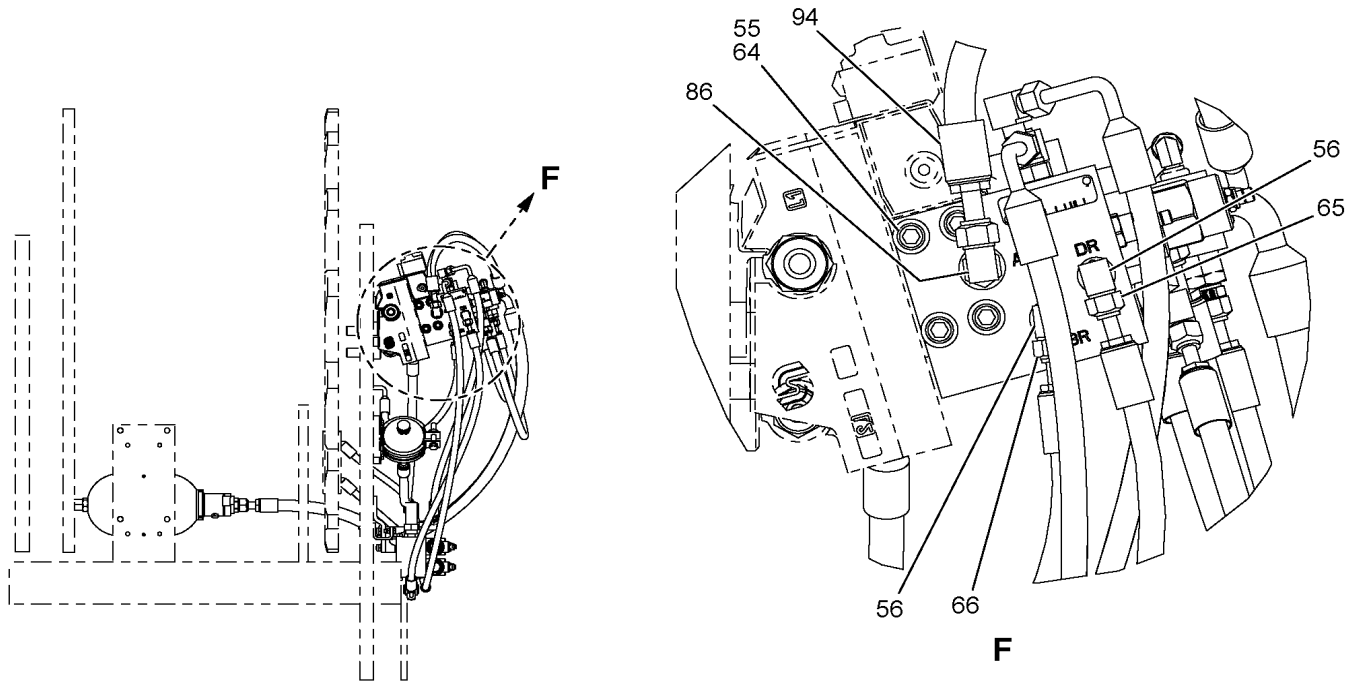
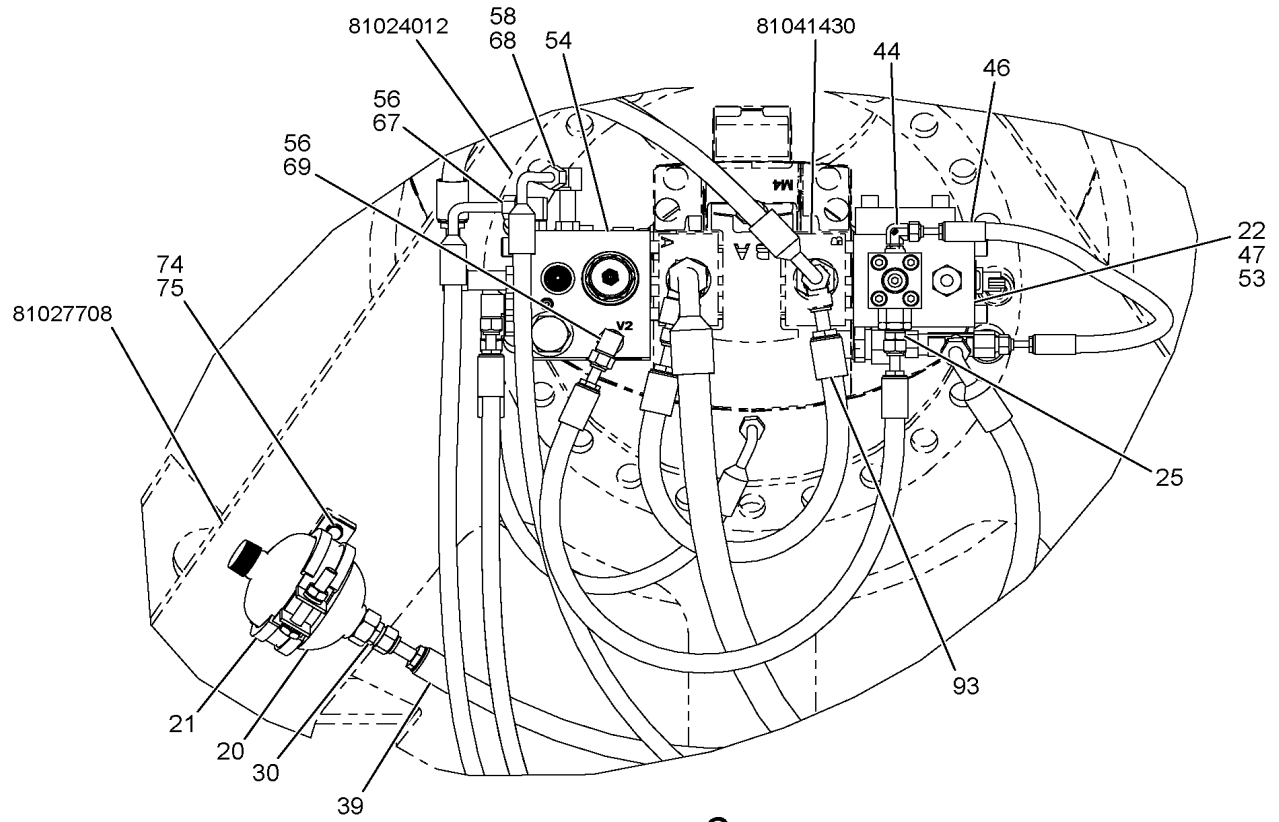
Manitowoc Cranes

Description
ESI DRUM 6

Assembly No.
810259471
Revision: H

Item	FN	Part	Qty	Description
1		810161360	1	SWITCH, LEVER ARM FIXED
2		80130332	1	LIMIT SWITCH ASSY ROTARY LEFT INCLUDES THE FOLLOWING PARTS
		80130297	1	CABLE GLAND .50 NPT .25-.38
		80129369	1	CABLE
		810161270	1	SWITCH, LIMIT
		80129369	1	CABLE
		2972110	1	CABLE, WIRE
3		810249310	1	WIRING HARNESS
5		810340642	1	BRACKET
6		7126211353	2	HHCS
7		7126131654	4	SHCS M5x45 -8.8 ISO 4762
8		7661130804	4	HEX LOCK NUT PA
9		7661210804	2	HEX LOCK NUT
10		7951130014	4	F WASHER 5 ST ISO 7089
11		7951210014	2	F WASHER 12 -ST ISO 7089

Manitowoc Cranes



Manitowoc Cranes

<u>Description</u> HYD LINES INSTL DRUM 0 DRUM 7				Assembly No. 81027453 Revision: D
Item	FN	Part	Qty	Description
1		810271010	4	CHANNEL ANCHOR CLAMP
4		810039140	2	Q DISCON FITTING
		810120120	1	INCLUDES THE FOLLOWING PARTS KIT, SEAL
		90021777	1	KIT, CARTRIDGE
5		810039150	2	CAP DUST
6		810186140	1	NAMEPLATE
7		810186150	1	NAMEPLATE
9		810302240	2	TUBE PREFORMED
10		7447080428	1	ADAPTER, STRAIGHT MALE
11		7447081601	1	ADAPTER, STRAIGHT
		7755014002	1	INCLUDES THE FOLLOWING PARTS O-RING
		7755916002	1	O-RING
13		7447121201	2	ADAPTER, STRAIGHT MALE
		7755018002	1	INCLUDES THE FOLLOWING PARTS O-RING
		7755912002	1	O-RING
14		7447121209	2	UNION
		7755018002	1	INCLUDES THE FOLLOWING PARTS O-RING
15		7447121603	1	ELBOW, 90 DEGREE
		7755018002	1	INCLUDES THE FOLLOWING PARTS O-RING
		7755916002	1	O-RING
16		7447121601	1	ADAPTER, STRAIGHT
		7755018002	1	INCLUDES THE FOLLOWING PARTS O-RING
		7755916002	1	O-RING
17		7555304801	1	HOSE ASSY, 1/2" I.D. X 48" LONG
18		7555504600	1	HOSE ASSY CODED
19		7555504401	1	HOSE ASSY, 3/4" I.D. X 44" LONG
20		810270350	6	CLAMP
21		810270550	4	PLATE
22		810270630	2	PLATE
23		810270730	8	CLAMP
24		7126191953	4	HHCS M10X60 8.8 FLZN ISO 4017
25		3772000	2	COUPLING PIPE
26		5431700	2	PIPE NIPPLE
27		7445020204	2	ADAPTER, 90 DEGREE SWIVEL

Manitowoc Cranes

Description HOIST LIVE MAST				Assembly No. 81024009 Revision: J
Item	FN	Part	Qty	Description
1		0169842	1	WEDGE, ANCHOR
2		1799592	1	PIN 2 HOLE
3		810362840	1	PIN WITH HEAD
4		2256650	1	BEARING, SPHERICAL ROLLER
5		4290000	1	FITTING, GREASE
6		5620850	2	PIN COTTER
8		6223830	1	OIL SEAL
9		810240102	1	DRUM
10		810240120	1	GEARBOX
11		810240172	1	HOIST FRAME
12		810240182	1	HOIST FRAME LIVE MAST
13		810249210	1	PLUG
14	+	81041430	1	HYD MOTOR
15	+	810267791	1	PAWL
16		810271482	1	PLATE KEEPER
17	+	810277261	1	ESI DRUM 4
18		810278892	1	WINCH FRAME
19		810280402	2	BLOCK
20		810285152	4	PIN 1 HOLE W/HD
21		810285212	4	PIN
22		810285222	1	PIN KEEPER
23		810285252	2	SHIM
24		7126211353	3	HHCS
25		7126211453	6	HHCS
26		7126211653	4	HHCS M12x45 -8.8 ISO 4017
27		7126271753	2	HHCS M20X50 8.8 FLZN ISO 4017
28		7128272154	36	SHCS
29		7128292054	24	SHCS
30		7951210014	6	F WASHER 12 -ST ISO 7089
31		7951210210	10	LOCK WASHER, 12MM I.D.
32		7951270210	2	L WASHER 20 FLZN DIN7980
33		A003142	1	PLATE KEEPER
34		A040042	1	RETAINER BEARING
35		81041254	2	PIN WITH HEAD
36		A126470	4	PIN SAFETY
37		5967600	11	RETAINING RING
38	+	810300010	1	SENSOR
39	+	810426831	1	HYD EQUIP DRUM 4
40		84019808	1	FITTING STRAIGHT M22 X 1.5 M/F

+ SEE FURTHER BREAKDOWN THIS GROUP

Manitowoc Cranes

Description
SENSOR

Assembly No.
810300010
Revision: B

Item	FN	Part	Qty	Description
1		81041772	1	O-RING 15.6 X 1.8 SAE J515
2		84024269	1	PLUG, SPEED SENSOR PART NOT SHOWN. NOT SUPPLIED WITH SENSOR.
3		7126150854	1	SHCS M6X12 PART NOT SHOWN. NOT SUPPLIED WITH SENSOR.

Manitowoc Cranes

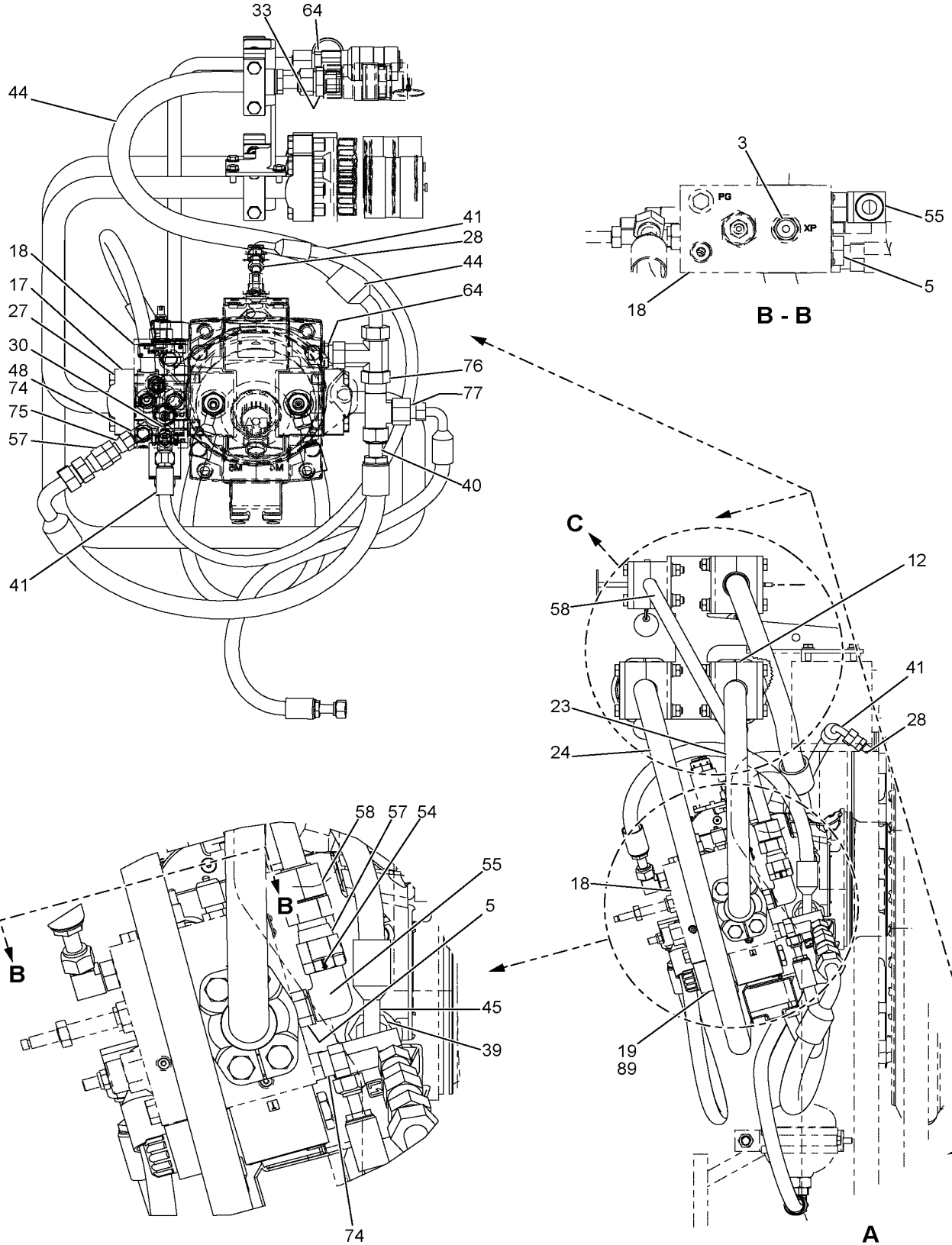
Description
VALVE MANIFOLD

Assembly No.
810136400
Revision: C

Item	FN	Part	Qty	Description
1		7034100	1	VALVE MANIFOLD
2	+	810239070	1	VALVE DIRECTIONAL CONTROL
3		810270870	1	VALVE PROPORTIONAL 3 POS, 4 WA
4		7110101405	8	SHCS 10-24UNC X 1.75 A574

+ SEE FURTHER BREAKDOWN THIS GROUP

Manitowoc Cranes



Manitowoc Cranes

<u>Description</u> HYD LINES INSTL POWER PLANT SU				Assembly No. 81037691 Revision: K
Item	FN	Part	Qty	Description
1		2504530	4	HHCS
2		4280020	1	PLUG (SAE -4), HEX HEAD
3		4284920	3	FITTING ADAPTER
4		4286040	5	FITTING
5		4295320	3	FITTING, PLUG
6		4316440	1	FLANGE ASSY SPLIT CODE 61
7		4317660	3	FLANGE ASSEMBLY
8		5967160	7	O RING
9		7103060	4	WASHER, LOCK
10		7566600900	2	HOSE ASSY 3.00 OD X 9 LG
11		810160980	3	FLANGE SPLIT CODE 61
13		84041621	4	SWITCH VACUUM HYDRAULIC
16		810282910	1	TUBE PREFORMED
17		80140564	1	TUBE
18		810282990	2	TUBE PREFORMED
21		81037608	3	FLANGE
22		81037690	1	TUBE PREFORMED
23		84024908	1	TUBE ASSY
24		81037968	1	TUBE PREFORMED
25		81037981	1	FLANGE
26		7127243253	16	SCR CAP HEX HD
27		7447240459	4	FITTING ADAPTER TEE GAUGE PORT
28		7555803111	1	HOSE ASSY
29		7555803611	1	HOSE ASSY CODED
30		7555806011	1	HOSE ASSEMBLY 1 1/2" X 60"
33		7566601600	1	HOSE ASSY CODED
35		7951240220	12	LOCK WASHER, 16MM
36		A085820	16	CLAMP SPRING LIGHT DUTY
38		81042783	1	FLANGE TEE -48 CODE 61 X-24
39		7447201601	1	ADAPTER, STRAIGHT MALE INCLUDES THE FOLLOWING PARTS
		7755025002	1	O-RING
		7755916002	1	O-RING
40		7447202001	1	ADAPTER, STRAIGHT MALE INCLUDES THE FOLLOWING PARTS
		7755025002	1	O-RING
		7755920002	1	O-RING
41		7556803612	1	HOSE ASSY 1.50 ID X 36 LG
42		7555703391	1	HOSE ASSY CODED
43		5968010	1	O RING
45		7566600700	1	HOSE ASSY

Manitowoc Cranes

Description
HYD EQUIP ROT BED VALVES

Assembly No.
84048120
Revision: C

Item	FN	Part	Qty	Description
57		84050741	1	VALVE SPOOL 5 BANK
58		84053178	1	GUARD OPEN LOOP VALVE
59		84054496	1	VALVE HIGH PRESSURE ACC
61		A175620	2	FLANGE ASSY SPLIT CODE 61 W/HA
62		7447080801	1	ADAPTER, STRAIGHT INCLUDES THE FOLLOWING PARTS
		7755014002	1	O-RING
		7755908002	1	O-RING
63		80121890	1	BRACKET ACCUMULATOR
64		80126389	2	TUBE ASSY RETURN
65		7013000524	1	REDUCER
66		84037612	1	VALVE CHECK -120RFS X -120RB

Manitowoc Cranes

Description
VALVE MANIFOLD

Assembly No.
810255720
Revision: **E**

Item	FN	Part	Qty	Description
1		81025576	2	VALVE DIR CTRL D05 3P4W
2		81026821	1	MANIFOLD BLOCK 2 BANK D05
3		81026017	2	ADAPTER D05 A B SHUTTLE
4		6148540	8	SHCS 1/4-20UNC X 2.75 A574

Manitowoc Cranes

<u>Description</u> HYD LINES INSTL TANK RETURN				Assembly No. 84048123 Revision: E
Item	FN	Part	Qty	Description
1		3455160	2	CLAMP TUBE
3		3456860	1	CLAMP TUBE
4		4295330	2	FITTING
5		4295500	2	FLANGE ASSY SPLIT CODE 61
6		4295820	3	FITTING
7		4316370	2	FLANGE ASSY SPLIT CODE 62
8		A065440	1	FLANGE ASSY SPLIT CODE 62
9		5966930	4	O RING
10		5968010	9	O RING
11		6124700	8	SCREW, HEX HEAD CAP
12		6125790	16	HHCS
13		7115162850	2	HHCS 3/8-16UNCx3.5 G5
14		7126172353	3	HHCS M8X80 8.8 FLZN 4017
15		7126192153	8	HHCS M10x70 -8.8 ISO 4017
16		7126211453	2	HHCS
17		7126211654	4	SHCS M12X45 8.8 ISO 4017
18		7447080801	1	ADAPTER, STRAIGHT INCLUDES THE FOLLOWING PARTS
		7755014002	1	O-RING
		7755908002	1	O-RING
19		7447080803	1	ELBOW, 90 DEGREE MALE INCLUDES THE FOLLOWING PARTS
		7755014002	1	O-RING
		7755908002	1	O-RING
20		7447080834	1	TEE, MALE RUN INCLUDES THE FOLLOWING PARTS
		7755014002	1	O-RING
		7755908002	1	O-RING
21		7447120801	1	ADAPTER, STRAIGHT INCLUDES THE FOLLOWING PARTS
		7755018002	1	O-RING
		7755908002	1	O-RING
22		7447120803	1	ELBOW, 90 DEGREE INCLUDES THE FOLLOWING PARTS
		7755018002	1	O-RING
		7755908002	1	O-RING
23		7447121003	1	ELBOW, 90 DEGREE INCLUDES THE FOLLOWING PARTS
		7755018002	1	O-RING
		7755910002	1	O-RING
24		7447121203	2	ELBOW, 90 DEGREE INCLUDES THE FOLLOWING PARTS
		7755018002	1	O-RING
		7755912002	1	O-RING
25		7447121208	2	ELBOW, 45 DEGREE MALE INCLUDES THE FOLLOWING PARTS
		7755018002	1	O-RING

Manitowoc Cranes

<u>Description</u> HYD LINES INSTL DRUM 4				Assembly No. 84048124 Revision: B
Item	FN	Part	Qty	Description
1		3456730	2	CLAMP, TUBE
2		3456850	2	CLAMP TUBE
3		7126211253	2	HHCS M12X25 8.8 FLZN ISO 4017
4		7128211354	1	SHCS
5		7447080801	1	ADAPTER, STRAIGHT INCLUDES THE FOLLOWING PARTS
		7755014002	1	O-RING
		7755908002	1	O-RING
6		7447080808	1	ELBOW, 45 INCLUDES THE FOLLOWING PARTS
		7755014002	1	O-RING
		7755908002	1	O-RING
7		7447121201	1	ADAPTER, STRAIGHT MALE INCLUDES THE FOLLOWING PARTS
		7755018002	1	O-RING
		7755912002	1	O-RING
8		7447121208	1	ELBOW, 45 DEGREE MALE INCLUDES THE FOLLOWING PARTS
		7755018002	1	O-RING
		7755912002	1	O-RING
9		7555310500	1	HOSE ASSY .50 X 105 LG
10		7555504400	1	HYDR HOSE ASSY
11		7661210803	1	HEX LOCK NUT
12		7951210014	2	F WASHER 12 -ST ISO 7089
13		810039130	1	Q DISCON FITTING INCLUDES THE FOLLOWING PARTS
		810120130	1	REPAIR KIT F
14	+	810114700	2	Q DISCON FITTING
15		810114770	2	FLANGE ASSY SPLIT CODE 62
16		810115390	3	WIRE RING
17	+	810121640	1	Q DISCON FITTING
18		81018621	1	NAMEPLATE ID TAG ROUND #021
19		81018622	1	NAMEPLATE ID TAG ROUND #022
20		81018623	1	NAMEPLATE ID TAG ROUND #023
21		81018625	1	NAMEPLATE ID TAG ROUND #025
22		81037652	1	FITTING PLUG
23		81037653	2	FITTING PLUG
24		81037655	1	FITTING PLUG MOUNTING, -06 QD
25		81041238	3	LANYARD
26		81041239	3	PIN
27	+	81042207	3	PIN HOSE STOWAGE
28		81042660	1	BRACKET HOSE STOWAGE
29		80130680	1	HOSE ASSY -20 X 3175 LG
30		80130680	1	HOSE ASSY -20 X 3175 LG

+ SEE FURTHER BREAKDOWN THIS GROUP

Manitowoc Cranes

<u>Description</u> HYD LINES INSTL ROT BED ACCESS				Assembly No. 81027447 Revision: L
Item	FN	Part	Qty	Description
3		7447060602	1	CONNECTOR, LONG INCLUDES THE FOLLOWING PARTS
		7755012002	1	O-RING
		7755906002	1	O-RING
6		81018616	1	NAMEPLATE ID TAG ROUND #016
7		81018617	1	NAMEPLATE ID TAG ROUND #017
8		7555201600	1	HOSE ASSY, 3/8" I.D. X 16" LONG
9		7555201600	1	HOSE ASSY, 3/8" I.D. X 16" LONG
10		7555214202	1	3/8" I.D. HYDR HOSE ASSY STR-4
11		7555314202	1	HYDR HOSE ASSY
12		7555302300	1	HOSE ASSY CODED
13		7447080601	1	ADAPTER, STRAIGHT INCLUDES THE FOLLOWING PARTS
		7755014002	1	O-RING
		7755906002	1	O-RING
14	+	810121650	1	Q DISCON FITTING
17		3456840	6	CLAMP, TUBE
18		810271970	2	CLAMP
19		810272060	10	CLAMP 18MM-18MM DIA GRP2 DIN30
20		810276020	2	COVER PLATE
21		810276030	6	COVER PLATE
23		810362792	4	PLATE
24		81041857	1	TUBE ASSY
25		81041858	1	TUBE ASSY
26		81041924	4	PLATE
27		7126151453	2	HHCS M6x35 -8.8 ISO 4017
28		7126171453	6	HHCS M8x35 -8.8 ISO 4017
29		7126171850	4	CAP SCREW, M8 X 55MM HEX HEAD
30		7447060401	2	ADAPTER, STRAIGHT MALE INCLUDES THE FOLLOWING PARTS
		7755012002	1	O-RING
		7755904002	1	O-RING
31		7447060403	2	ELBOW, 90 DEGREE MALE INCLUDES THE FOLLOWING PARTS
		7755012002	1	O-RING
		7755904002	1	O-RING
32		7447060601	1	ADAPTER, STRAIGHT MALE INCLUDES THE FOLLOWING PARTS
		7755012002	1	O-RING
		7755906002	1	O-RING
33		7447060603	1	ELBOW, 90 DEGREE INCLUDES THE FOLLOWING PARTS
		7755012002	1	O-RING
		7755906002	1	O-RING
34		7447060605	2	TEE, RUN

+ SEE FURTHER BREAKDOWN THIS GROUP

Manitowoc Cranes

Notes

Manitowoc Cranes

Description
Q DISCON FITTING

Assembly No.
810210270
Revision:

Item	FN	Part	Qty	Description
1		90024204	1	KIT, SEAL

Manitowoc Cranes

Description

HYD LINES INSTL DRUM 2

Assembly No.

80125199

Revision: A

Item	FN	Part	Qty	Description
1		4282380	1	FITTING ADAPTER 90 DEG
2		4316490	6	FLANGE ASSY SPLIT CODE 62
3		7126191153	4	HHCS M10X20 8.8
4		7126192253	4	HHCS FULL THREAD
5		7126192550	3	CAP SCREW, M10 X 90MM HEX HEAD
6		7447121201	2	ADAPTER, STRAIGHT MALE INCLUDES THE FOLLOWING PARTS
		7755018002	1	O-RING
		7755912002	1	O-RING
7		7447121601	1	ADAPTER, STRAIGHT INCLUDES THE FOLLOWING PARTS
		7755018002	1	O-RING
		7755916002	1	O-RING
8		7555506701	1	HOSE ASSY .75 ID X 67 LG
9		7555513500	1	HOSE ASSY -12 X 135 LG
10		7565305661	1	HOSE ASSY CODED 1.25 ID X 56 L
11		7568407176	1	HOSE ASSY 1.25 ID X 71.0 LG
12		7661190803	7	HEX LOCK NUT M10 -8 ISO 7040
13		7951190014	9	F WASHER 10
14		7951210014	4	F WASHER 12 -ST ISO 7089
15		810039130	1	Q DISCON FITTING INCLUDES THE FOLLOWING PARTS
		810120130	1	REPAIR KIT F
16	+	810052060	1	Q DISCON FITTING
17		810058230	1	CLAMP TUBE
18	+	810114700	2	Q DISCON FITTING
19		810114770	4	FLANGE ASSY SPLIT CODE 62
20		7568407176	1	HOSE ASSY 1.25 ID X 71.0 LG
21		81018645	1	NAMEPLATE ID TAG ROUND #045
22		81018646	1	NAMEPLATE ID TAG ROUND #046
23		81018647	1	NAMEPLATE ID TAG ROUND #047
24		81018648	1	NAMEPLATE ID TAG ROUND #048
25		810270380	4	CLAMP
26		810270640	1	PLATE
27		810270740	1	CLAMP
28		81038063	2	TUBE PREFORMED 1.250 OD X .187
29		81038532	2	PLATE WELD GRP 3 DIN3015-1
30	+	81041424	1	FRAME HOSE STOWAGE
31		84028372	1	TUBE ASSY PRESSURE
32		84028373	1	TUBE ASSY PRESSURE
33		84030184	1	PLATE 6.0 MM
34		84030185	1	PLATE 6.0 MM

+ SEE FURTHER BREAKDOWN THIS GROUP

Manitowoc Cranes

Description

HYD LINES INSTL DRUM 1 PREP

Assembly No.

84045990

Revision: **D**

Item	FN	Part	Qty	Description
1		3456740	6	CLAMP TUBE
2		4316470	2	FLANGE ASSY SPLIT CODE 62
3		810039130	1	Q DISCON FITTING
		810120130	1	INCLUDES THE FOLLOWING PARTS REPAIR KIT F
4		810058230	1	CLAMP TUBE
5		810058230	1	CLAMP TUBE
6		810114770	2	FLANGE ASSY SPLIT CODE 62
7		810186080	1	NAMEPLATE
8		810186090	1	NAMEPLATE
9		810186110	1	NAMEPLATE
10		810272150	1	CLAMP 30 MM-30MM DIA GRP4 DIN3
11		810275930	1	PLATE WELD GP 4 DIN3015
12		810301880	2	Q DISCON FITTING
13		81037652	1	FITTING PLUG
14		81037653	2	FITTING PLUG
15		81040328	1	F WASHER SHIM
16		81041238	3	LANYARD
17		81041239	3	PIN
18	+	81042207	3	PIN HOSE STOWAGE
19		7126171753	1	CAP SCREW, M8X50 HEX HEAD
21		7447121201	1	ADAPTER, STRAIGHT MALE
		7755018002	1	INCLUDES THE FOLLOWING PARTS O-RING
		7755912002	1	O-RING
22		7555522001	1	HOSE ASSY 0.75 X 220 STR/90
23		7565325173	1	HOSE ASSY 1.25 X 251 STR/90
24		7565325673	1	HOSE ASSY 1.25 X 256 STR/90
25		4297210	1	FITTING, PLUG
26		81040047	1	FITTING PLUG

+ SEE FURTHER BREAKDOWN THIS GROUP

CLICK HERE TO **DOWNLOAD** THE COMPLETE MANUAL

- Thank you very much for reading the preview of the manual.
- You can download the complete manual from: www.heydownloads.com by clicking the link below



- Please note: If there is no response to CLICKING the link, please download this PDF first and then click on it.

CLICK HERE TO **DOWNLOAD** THE COMPLETE MANUAL

Manitowoc Cranes

Description

HYD LINES INSTL DRUM 6

Assembly No.

84048129

Revision: **A**

Item	FN	Part	Qty	Description
1		3455130	2	CLAMP, TUBE
2		3456850	1	CLAMP TUBE
3		4282320	1	FITTING, STRAIGHT ADAPTER
4		4282430	1	FITTING ADAPTER STRAIGHT
5		4316470	2	FLANGE ASSY SPLIT CODE 62
6		4316490	2	FLANGE ASSY SPLIT CODE 62
7		7126192153	2	HHCS M10x70 -8.8 ISO 4017
8		7555522300	1	HOSE ASSY .75 X 223 LG
9		7568407271	1	HOSE ASSY 1.25 ID X 72 LG
10		7568407271	1	HOSE ASSY 1.25 ID X 72 LG
11		810039130	1	Q DISCON FITTING
		810120130	1	INCLUDES THE FOLLOWING PARTS REPAIR KIT F
12		810115390	3	WIRE RING
13		81018613	1	NAMEPLATE ID TAG ROUND #013
14		81018628	1	NAMEPLATE ID TAG ROUND #028
15		81018712	1	NAMEPLATE ID TAG ROUND #012
16		810270560	1	PLATE
17		810270640	1	PLATE
18		810301880	2	Q DISCON FITTING
19		81037652	1	FITTING PLUG
20		81037653	2	FITTING PLUG
21		81041238	3	LANYARD
22		81041239	3	PIN
23	+	81042207	3	PIN HOSE STOWAGE
24		81042632	1	CLAMP 1.18 DIA DIN3015
25		84050442	1	TUBE ASSY 31.8 OD X 4.7 WALL
26		84050443	1	TUBE ASSY 31.7 OD X 4.7 WALL
27		A175600	2	FLANGE ASSY SPLIT CODE 61

+ SEE FURTHER BREAKDOWN THIS GROUP

Manitowoc Cranes

Description

ESI BOOM TOP CAM PREP

Assembly No.

81041916

Revision: **B**

Item	FN	Part	Qty	Description
1		84020656	1	ELEC CABLE WBB5 (CCTV)

Manitowoc Cranes

Description
ESI CAB EXTERIOR WIRING

Assembly No.
81029114
 Revision: **E**

Item	FN	Part	Qty	Description
1		2974710	1	ELEC CABLE
2		81029278	1	ELEC CABLE BRAIDED GROUNDSTRAP
3		7127150753	5	HHCS FULL THREAD 6 X 10 10.9
4		A172140	1	ELEC CABLE
5		7107720	5	L WASHER I/E-T
6		7107710	1	WASHER
7		7126170853	1	HHCS M8x12 -8.8 ISO 4017
8	+	80114385	1	WINDOW WIPER RELAY ASSY

+ SEE FURTHER BREAKDOWN THIS GROUP

Manitowoc Cranes

Description

JUNCTION BOX DC LOAD CENTER

Assembly No.

84036350

Revision: B

Item	FN	Part	Qty	Description
1		2361430	1	FUSE BLOCK
2		275324	1	BREAKER CIRCUIT 120 AMP
3		4526850	4	FUSE
4		5460750	4	HEX NUT
5		5468370	1	NUT, HEX HEAVY
6		5469560	5	NUT PANEL
7		5469670	1	NUT PANEL
8		5724130	1	PLUG ELEC SEALING SIZE 4
9		5725230	17	PLUG SEALING
10		5724090	1	ELEC CONNECTOR
11		5898830	1	RECEPTACLE
12		6131010	4	SCREW, HEX HEAD
13		6183910	1	SLOT PMS
14		620864	3	SLOT PMS 10-32UNF X 1.25 SS
15		6805160	4	TERMINAL
16		6727550	1	SWITCH KEY 2 POS MAINTAINED
17		672760	1	SWITCH 2 POS MAINTAINED
18		6806460	8	TERMINAL
19		6806620	10	TERMINAL, SLIP ON
20		6806700	3	TERMINAL PARALLEL SPLICE
21		6806880	57	TERMINAL
22		6806960	2	TERMINAL SOCKET CONTACT 12-14
23		6807150	10	TERMINAL, SLIP-ON NON-INSUL W/
24		6808230	15	TERMINAL
25		6808270	2	TERMINAL FEM
26		680829	10	TERMINAL FEMALE .187
27		680838	4	TERMINAL RING 22-16 AWG/#10
28		6808520	2	TERMINAL PARALLEL SPLICE
29		6808530	8	TERMINAL
30		7103000	1	L WASHER MEDIUM
31		7103020	4	WASHER, LOCK
32		7114320	1	WASHER
33		7114330	5	WASHER
34		810008490	2	TERMINAL
35		81002432	1	RELAY AUTOMOTIVE SPST-NO
36		810185870	23	PHIL RMS, 10-32 X 0.50 SS
37		81018592	4	PHIL RMS 6-32UNC X 0.50 SS
38		81019118	2	PHIL PMS 1/4-20UNC X 1.00 SS
39		810205460	1	RECEPTACLE DUST CAP

Manitowoc Cranes

Description
KIT BASE/REMOTE 2.4 GHZ

Assembly No.
81029825
 Revision:

Item	FN	Part	Qty	Description
1		81029826	1	TRANSCEIVER SETUP REMOTE 2.4 G INCLUDES ITEMS 50, 51 AND 52
2		810305630	2	BATTERY 3.6V 1.2AH NIMH INCLUDES ITEMS 53 AND 54
3		810305640	1	BATTERY CHARGER
4		81042455	1	TRANSCEIVER BASE 2.4 GHZ
50		81030583	1	ELECTRICAL CABLE SETUP REMOTE PART NOT SHOWN
51		810305870	1	STRAP WAIST SETUP REMOTE PART NOT SHOWN
52		810305880	1	STRAP NECK SETUP REMOTE PART NOT SHOWN
53		80097758	1	ANTENNA
54		80130498	2	RUBBER ISOLATOR PART NOT SHOWN

Manitowoc Cranes

Description

SWITCH VPC SHUTDOWN

Assembly No.

84050450

Revision: **A**

Item	FN	Part	Qty	Description
1		6727520	1	BLOCK SWITCH CONTACT (1-N.C.)
2		81041820	1	SWITCH KEY 2 POS MAINTAINED
3		A096020	1	BASE, SWITCH MOUNTING

Manitowoc Cranes

Description
BRACKET FUSE PANEL

Assembly No.
81042368
Revision: B

Item	FN	Part	Qty	Description
1		81021895	1	RELAY CONTACTOR 24VDC 200A
2		81034523	3	FUSE HOLDER
3		81034525	3	FUSE
4		84020536	1	COVER FUSE
5		81042592	1	BRACKET FUSE PANEL
6		81042624	1	DECAL FUSE PANEL
8		7126151253	6	HHCS M6X25 8.8 FLZN 4017
9		7126151153	6	HHCS M6X20 SS ISO 4017
10		7661150003	6	NUT, HEX
11		7661150004	2	NUT, HEX - 6MM
12		7951150014	12	F WASHER
13		7951150220	12	L WASHER

Manitowoc Cranes

Description

TANK FUEL INSTALLATION

Assembly No.

81028434

Revision: **H**

Item	FN	Part	Qty	Description
1		4284460	1	FITTING ADAPTER 90 DEG
2		7115150650	12	HHCS 5/16-18UNCX0.75 G5
3		7103030	12	WASHER, LOCK
4		7258001426	1	FUEL CAP ASSY. FLAME ARRESTERS
6		810238272	1	GAUGE LEVEL FUEL
7		810249220	1	PLUG
9		7555102100	1	HOSE ASSY, 1/4" I.D. X 21" LONG
10		810289910	1	TUBE PREFORMED
11		7951220014	2	WASHER
12		81042862	1	TUBE FUEL FILL
13		810286892	2	GASKET COVER
14		80141460	1	LOCK MASTER #1 W/KEY 2065
15		80141111	1	TUBE FUEL FILL
16		810368570	1	VENT BREATHER
17		4280050	1	TEE
18		4297200	1	FITTING
19		7445080417	1	ADAPTER, REDUCING
20		7447040428	1	ADAPTER, STRAIGHT
		7755011002	1	INCLUDES THE FOLLOWING PARTS
		7755904002	1	O-RING
			1	O-RING

Manitowoc Cranes

Description
SERVICE KIT 500 HRS

Assembly No.
90046857
Revision: C

Item	FN	Part	Qty	Description
3		90046855	1	FILTER ELEMENT
4		90048547	1	FILTER, OIL
5		A053600	1	SCA TEST KIT SINGLE-USE
6		90047313	1	FILTER, FUEL
7	+	90048403	1	KIT SERVICE 1000 HRS FOR REFERENCE ONLY; NOT INCLUDED IN 90046857.

+ SEE FURTHER BREAKDOWN THIS GROUP

Manitowoc Cranes

Description
PUMP

Assembly No.
810247210
Revision: E

Item	FN	Part	Qty	Description
1		90040390	1	SEAL KIT
2		90040391	1	SHAFT SEAL

Manitowoc Cranes

Description
VALVE ASSY QUICK DRAIN

Assembly No.
810249430
Revision: **A**

Item	FN	Part	Qty	Description
1		3453370	1	CLAMP, WORM DRIVE
2		810249410	1	HOSE
3		810249470	1	FITTING, ADAPTER STRAIGHT QUIC

Manitowoc Cranes

Notes

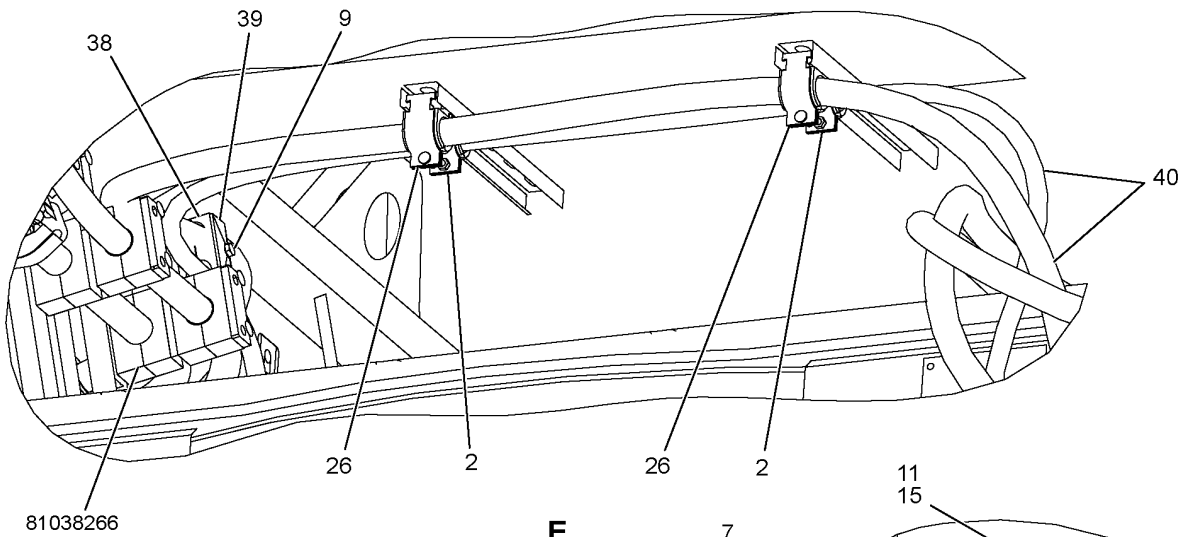
Manitowoc Cranes

Description
PANEL ENCL ASSY

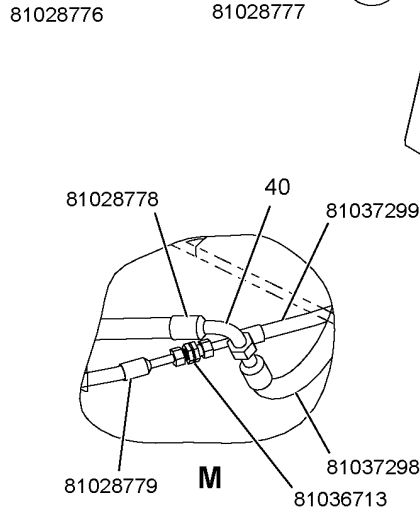
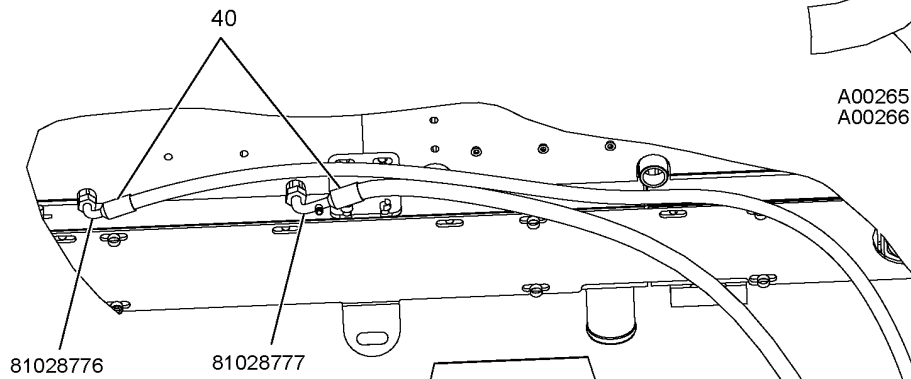
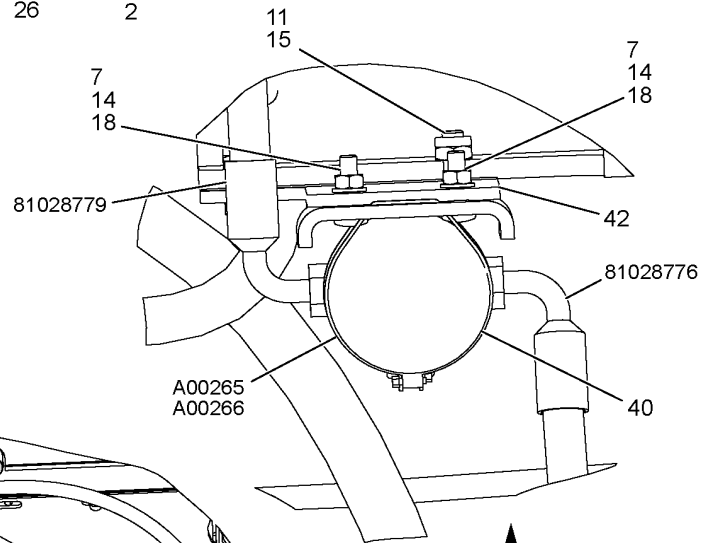
Assembly No.
810295572
Revision: **B**

Item	FN	Part	Qty	Description
1		810294302	1	PANEL ENCL COOLER
2		810294742	1	BRACKET COOLER
3		81029477	1	HINGE COOLER ENCLOSURE
4		7126151053	6	CAP SCREW, M6 X 16MM HEX HEAD
5		7126151153	5	HHCS M6X20 SS ISO 4017
6		7661150003	11	NUT, HEX
7		7951150014	22	F WASHER

Manitowoc Cranes



E



G



Manitowoc Cranes

Description
CLUTCH RELEASE ASSY

Assembly No.
81028410
Revision: E

Item	FN	Part	Qty	Description
1		6127170	3	HHCS
2		7103080	3	WASHER, LOCK
3		810284112	1	LEVER
4		7126191853	1	HHCS M10X55
5		7126221753	2	SCR CAP HEX HD
6		7661190804	1	HEX LOCK NUT M10
7		7661220004	3	NUT
8		A092112	1	BRACKET
9		A145760	1	SPRING
10		5460560	1	NUT, HEX
11		6018270	1	ROD
12		6125590	1	SCREW, HEX CAP
13		7103060	1	WASHER, LOCK
14		810332952	1	HANDLE
15		7127242350	1	CAP SCREW, M16 X 80MM LONG
16		7661240013	1	HEX NUT
17		A103770	1	SPACER PIPE
18		5462710	1	NUT, HEX JAM
19		7127222353	1	HHCS M14 X 80 -10.9 ISO 4017
20		7097810	1	F WASHER

Manitowoc Cranes

Description

PANEL POWER PLANT ENCL

Assembly No.

810319022

Revision: **D**

Item	FN	Part	Qty	Description
1		84027526	1	PANEL POWER PLANT ENCL
2		81031904	1	BRACKET COOLER
3		81031905	1	HINGE COOLER ENCLOSURE
4		7126151053	5	CAP SCREW, M6 X 16MM HEX HEAD
5		7126151153	4	HHCS M6X20 SS ISO 4017
6		7661150003	9	NUT, HEX
7		7951150014	18	F WASHER

Manitowoc Cranes

Description
FUEL CIRCUIT APU

Assembly No.
81037293
Revision: D

Item	FN	Part	Qty	Description
3		6670060	4	STRAP
6		81036803	1	Q DISCON FITTING HYD COUPLER 1
16		7567601078	1	HOSE ASSY CODED 0.75 ID X 078
17		7567601078	1	HOSE ASSY CODED 0.75 ID X 078
19		81039797	1	DUST PLUG QD 12
20		80097462	1	NAMEPLATE ROUND #090
21		80097463	1	NAMEPLATE ROUND #091
22		810293140	2	FITTING ADAPTER STRAIGHT
23		81036804	1	Q DISCON FITTING HYD NIPPLE 12
24		81041451	1	CAP DUST QD -12

Manitowoc Cranes

Description

SWIVEL MOUNTING PLATE ASSY

Assembly No.

84051903

Revision: **A**

Item	FN	Part	Qty	Description
1		5483460	8	HEX LOCK NUT PA
2		7126211453	4	HHCS
3		6127270	8	HHCS
4		7097860	16	F WASHER
5		7951210226	4	12 A2 DIN127B
6		84050846	1	SWIVEL 10 PORT 475 LPM
7		84052038	1	BRACKET MOUNTING
8		84052037	1	BRACKET SWIVEL TORQUE ARM
12		A069042	1	CHANNEL
13		7126191054	4	CAP SCREW
14		7951190014	4	F WASHER 10
15		7951190210	4	LOCK WASHER, 10MM

Manitowoc Cranes

Description

VALVE ASSY 1 BANK D03 ALUMINUM

Assembly No.

81028704

Revision: **B**

Item	FN	Part	Qty	Description
1	+	810239070	1	VALVE DIRECTIONAL CONTROL
2		7041490	1	VALVE, MANIFOLD
3		7110101405	4	SHCS 10-24UNC X 1.75 A574

+ SEE FURTHER BREAKDOWN THIS GROUP

Manitowoc Cranes

Notes

Manitowoc Cranes

Description

JACK CYL ASSY LOWERWORKS

Assembly No.

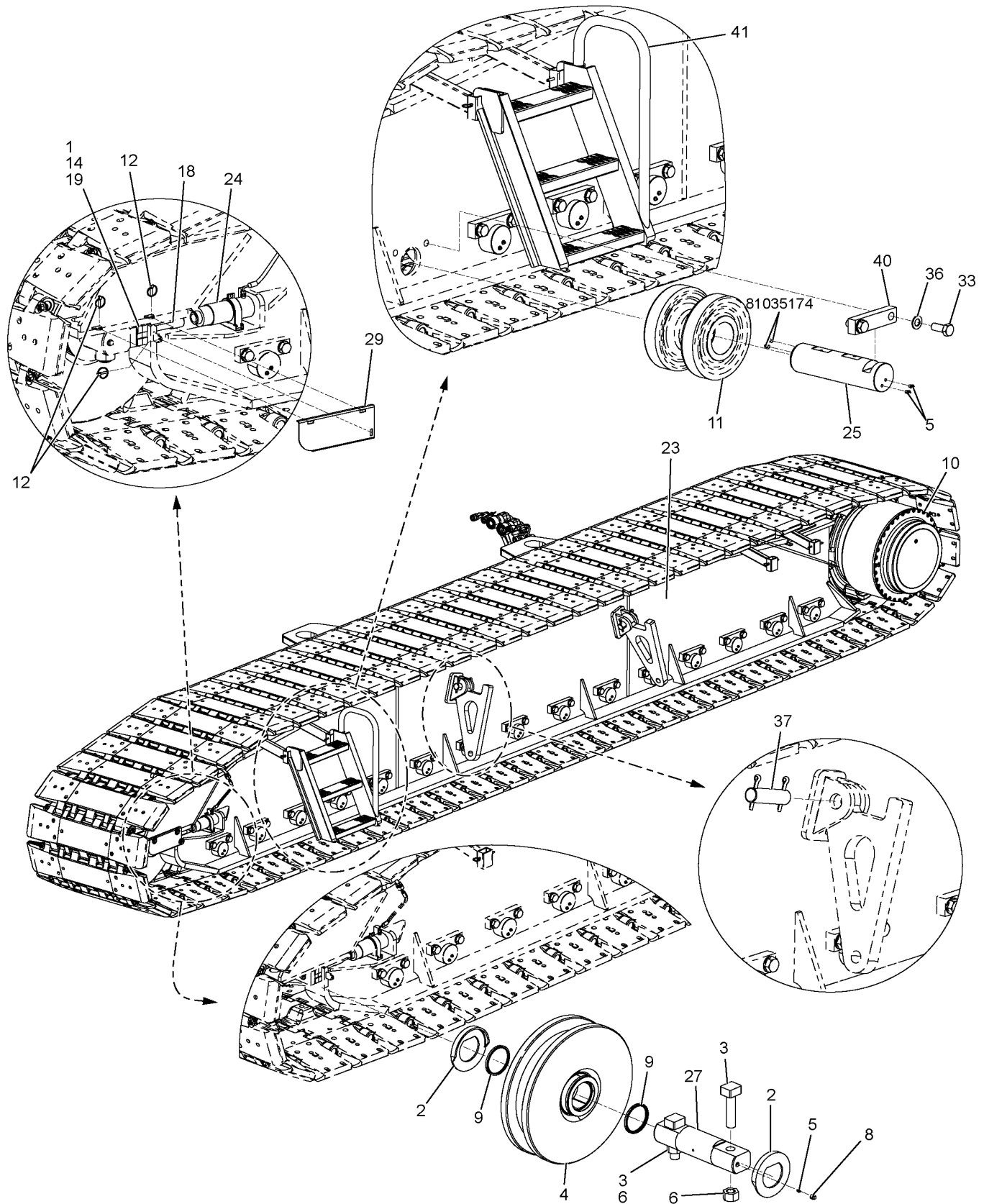
81027972

Revision: **C**

Item	FN	Part	Qty	Description
1		4290100	8	FITTING LUBE, NPT .25
2		5638710	4	PIN, SAFETY
3	+	81040882	4	OUTRIGGER PAD ASSY
4		7126271453	8	HHCS
5		7951270210	8	L WASHER 20 FLZN DIN7980
6		A057860	4	PIN COTTER
7		80127709	4	CYL HYD 190/170 X 1067 210 BAR
8		A113752	4	PIN JACKING CYL
9		A113862	4	PIN 1 HOLE W/HD
10		84033736	4	PLATE 12.0 MM

+ SEE FURTHER BREAKDOWN THIS GROUP

Manitowoc Cranes



84040523

(SHEET 2 OF 2)

Page 837

Manitowoc Cranes

<u>Description</u> HYD LINES INSTL CRAWLER				Assembly No. 84043010 Revision: F
Item	FN	Part	Qty	Description
1		3455120	6	CLAMP TUBE
2		3455130	2	CLAMP, TUBE
3		3456730	4	CLAMP, TUBE
4		3456740	2	CLAMP TUBE
5		3456860	1	CLAMP TUBE
6		4284120	1	FITTING
7		5966920	4	O-RING
8		6125590	16	SCREW, HEX CAP
9		810039130	1	Q DISCON FITTING
		810120130	1	INCLUDES THE FOLLOWING PARTS REPAIR KIT F
10		810052060	1	Q DISCON FITTING
11	+	810114700	1	Q DISCON FITTING
12		810114770	2	FLANGE ASSY SPLIT CODE 62
13		810115390	5	WIRE RING
14		810122910	4	FITTING, PLUG
15		810160850	4	FLANGE SPLIT CODE 62
16		81018663	1	NAMEPLATE ID TAG ROUND #063
17		81018664	1	NAMEPLATE ID TAG ROUND #064
18		81018665	1	NAMEPLATE ID TAG ROUND #065
19		81018666	1	NAMEPLATE ID TAG ROUND #066
20		81018667	1	NAMEPLATE ID TAG ROUND #067
21		810234540	2	FLANGE SPLIT CODE 62
22		810253160	1	ACCUMULATOR
23		80121890	1	BRACKET ACCUMULATOR
24		810269880	3	CHANNEL
25		810279202	2	FLANGE
26		810299732	1	BRACKET
27		81037652	1	FITTING PLUG
28		81037653	2	FITTING PLUG
29		81037824	1	FITTING PLUG
30		81041238	5	LANYARD
31		81041239	5	PIN
32		81041490	1	BRACKET
33	+	81042207	5	PIN HOSE STOWAGE
34		7126171053	2	HHCS M8X16 SS ISO 4017
35		7126241353	4	HHCS M16x30 -8.8 ISO 4017
36		7127221653	2	HHCS FULL THREAD
37		7127222950	6	HHCS M14x130 -10.9 ISO 4014
38		7128211254	2	SHCS M12X25 12.9 FLZN ISO 4762

+ SEE FURTHER BREAKDOWN THIS GROUP

Manitowoc Cranes

Description

CRAWLER AUTOLUBE ASSY GRACO

Assembly No.

80125418

Revision: **A**

Item	FN	Part	Qty	Description
1	+	80143961	1	CRAWLER GREASE PIPING GRACO
2	+	84044205	1	CRAWLER GREASE GUARD ASSY

+ SEE FURTHER BREAKDOWN THIS GROUP

Manitowoc Cranes

Description

BOOM BUTT ASSY #500 8.00 M

Assembly No.

810280360

Revision: **K**

Item	FN	Part	Qty	Description
1	+	1687791	1	BOOM ANGLE INDICATOR ASSY
2		1766909	2	PIN
3		5621290	4	PIN COTTER
4	+	81025601	1	PIN PULLER BOOM HINGE
5	+	80138784	2	STOP ASSY #500
6	+	810259451	1	ESI BOOM BUTT
8		810280372	1	BUTT MACHINING REF 0-2261 FOR LACINGS (DWG 81028039)
9	+	810295781	1	CATWALK ASSY #500 8.00M BUTT
12	+	84020120	1	MANIFOLD BLOCK RETURN ASSY
13		84020122	1	SPACER PLATE 6MM
14		7126211353	2	HHCS
15		7126211453	1	HHCS
16		7661210804	3	HEX LOCK NUT
17		7951210014	3	F WASHER 12 -ST ISO 7089
18		810186200	1	NAMEPLATE
19		810282382	2	PIN SAFETY
20		7951190014	6	F WASHER 10
21		7661190804	3	HEX LOCK NUT M10
22		7126191353	3	HHCS

+ SEE FURTHER BREAKDOWN THIS GROUP

Manitowoc Cranes

Description
ESI BOOM BUTT

Assembly No.
810259451
Revision: **G**

Item	FN	Part	Qty	Description
1		5469670	2	NUT PANEL
3		7114320	2	WASHER
5		810249050	1	WIRING HARNESS
11		810348300	1	ELEC CABLE
12		810282512	1	BRACKET
13		810348280	1	WIRING HARNESS
14		810291390	1	SENSOR ANGLE MEMS 200 DEGREES
15		7126131153	4	HHCS M5x20 -8.8 ISO 4017
18		7126211453	2	HHCS
20		7661130003	4	HEX NUT M5 8 ISO 4032
23		7661210003	2	NUT, HEX 12MM N.C.
24		7951130014	8	F WASHER 5 ST ISO 7089
25		7951130210	4	LOCKWASHER, 5MM I.D.
30		7951210210	2	LOCK WASHER, 12MM I.D.
31		7951170014	4	F WASHER
50		6670060	20	STRAP
51		6670070	35	STRAP
52		6670080	25	STRAP

Manitowoc Cranes

<u>Description</u> WINCH				Assembly No. 810099570 Revision: D
Item	FN	Part	Qty	Description
1		90024322	1	MOTOR, HYDRAULIC
2		90024323	1	VALVE, COUNTERBALANCE INCLUDES ITEMS 64 AND 65
3		9974102638	1	SHAFT
4		9974102337	1	PISTON
5		9974102340	2	PIN
6		9974220390	1	O-RING
7		90024325	4	SCREW, SOCKET HEAD
8		9974220374	2	SCREW, HEX CAP
9		9974220375	2	WASHER, LOCK
10		9974220376	6	SCREW, HEX CAP
11		9974220377	6	WASHER, LOCK
12		9974103137	6	FITTING, 90 DEG.
13		9974220379	1	TAG, WARNING PART NOT SHOWN
14		9974220385	3	HOSE
15		9974102353	1	SPACER
16		90024326	1	MANIFOLD, VALVE
17		90024324	1	O-RING
18		90024328	4	SCREW, SOCKET HEAD
19		9974102335	1	SUPPORT, MOTOR
20		9974220388	4	WASHER, HI-COLLAR
21		9974220389	1	CAPLUG (1-1/4) PART NOT SHOWN
22		9974220394	1	CAPLUG (1-1/4) PART NOT SHOWN
23		9974102645	1	SUPPORT
24		9974102299	1	RING, GEAR
25		9974102646	1	CARRIER
26		9974102647	1	GEAR
27		9974102648	1	WASHER THRUST NYLON
28		981502	1	WASHER - THRUST - NYLON
29		9974102650	1	O-RING
30		90024329	1	CARRIER ASSEMBLY, PRIMARY
31		9974102651	2	WASHER THRUST
32		90024330	1	COVER, GEAR END
33		90024331	1	COUPLING, DRIVE
34		90024332	1	LEVER, KICKOUT
35		90024333	1	GEAR, SUN
36		90024334	1	SHAFT, SHIFTER

Manitowoc Cranes

Description

WIRE ROPE RIGGING W/ FITTING

Assembly No.

84044934

Revision: **A**

Item	FN	Part	Qty	Description
1		81024101	1	WIRE ROPE 8mm (5/16 in) DIA
2		84038393	1	WIRE ROPE FITTING .31 ROPE EYE

Manitowoc Cranes

Description

INSERT LUFF JIB PREP 12M HEAVY

Assembly No.

81030008

Revision: **D**

Item	FN	Part	Qty	Description
1		5620640	10	PIN COTTER
2		84024200	6	SAFETY PIN
3		810253062	4	PIN 2 HOLE
4		810277822	4	PIN 2 HOLE
5		810294422	4	BRACKET
6		810294472	4	BRACKET
7		810303640	2	BRACKET
8		810315990	4	BRACKET ZINC RICH
9		7126191850	20	HHCS M10x55 -8.8 ISO 4014
10		7661190803	20	HEX LOCK NUT M10 -8 ISO 7040
11		7951190014	40	F WASHER 10
12		7951270014	8	F WASHER
13	+	A120120	2	SHEAVE ASSY RIG WINCH ZINC RIC

+ SEE FURTHER BREAKDOWN THIS GROUP

Manitowoc Cranes

Description

GUIDE ASSY DRUM 2,3 LOWER

Assembly No.

81029022

Revision: **C**

Item	FN	Part	Qty	Description
1		5638230	2	PIN SAFETY
2		80128133	2	SHEAVE ASSY 609.6 28.0
3		810290232	1	GUIDE MACH DRUM 2,3 LOWER
5		810297312	1	PLATE KEEPER
6		810310602	1	SHAFT 129.95 X 292.0 LG
7		7127271453	2	HHCS FULL THREAD
8		81037335	2	PIN 1 HOLE W/HD 38.0 DIA X 230

Manitowoc Cranes

Description
A2B DEVICE MOD TWO SPRINGS

Assembly No.
84019148
Revision: A

Item	FN	Part	Qty	Description
1		0012042	1	SPRING
2		5467630	4	NUT, HEX JAM
3		6124580	1	SCREW, HEX CAP
4		810152440	1	BOLT, EYE
5	+	810245702	1	A2B DEVICE
6		84019150	1	BRACKET NAMEPLATE "84019148"

+ SEE FURTHER BREAKDOWN THIS GROUP

Manitowoc Cranes

Description

SUBASSY POSITION LIGHT

Assembly No.

810250570

Revision: **F**

Item	FN	Part	Qty	Description
2		4716820	1	CONNECTOR, GRIP CORD 7/16" BO
3		5080240	1	LIGHT, RED WARNING
5		6806940	2	TERMINAL, PIN
6		810152050	1	RECEPTACLE
8		810134310	1	STRAP, CABLE TIE
9		810248390	1	PLUG ASSEMBLY, ELECTRICAL SEAL
10		84022974	1	HEAT SHRINK TUBING 16/4
50		2971810	6	CABLE, LO-TEMP

Manitowoc Cranes

Description

SHEAVE ASSY #500 LWR PT DE

Assembly No.

81034794

Revision: **B**

Item	FN	Part	Qty	Description
1		1715852	1	SHIM
2		1715862	1	SHIM
3	+	84028414	1	SHEAVE ASSY #500 DEAD END

+ SEE FURTHER BREAKDOWN THIS GROUP

Manitowoc Cranes

Description

SOCKET/WEDGE, 1" (26 MM)

Assembly No.

6462460

Revision:

Item	FN	Part	Qty	Description
1		9826220012	1	SOCKET (1")
2		9914100033	1	PIN W/COTTER
3		9826220014	1	WEDGE (1")
4		7312800000	1	CLAMP

Manitowoc Cranes

Description

CATWALK ASSY #500 12 M INSERT

Assembly No.

810279002

Revision: **C**

Item	FN	Part	Qty	Description
1		84027007	8	HEX NUT
2		6124050	38	HHCS
3		810166910	18	WASHER SHOULDER
4		810169952	4	BRACKET
5		810266232	3	CATWALK
6		810279012	1	CATWALK
7		810279022	1	CATWALK
8		810053140	2	TIE WIRE
9		810301722	1	LADDER
10		7114153664	18	C BOLT SQUARE
11		7126191450	4	HHCS M10X35 - 8.8 ISO 4014
12		7660152500	56	HEX LOCK NUT PA 5/16-18UNC SS
13		7661190803	4	HEX LOCK NUT M10 -8 ISO 7040
14		7950150141	94	F WASHER 5/16"
15		7950220141	8	F WASHER 3/4"
16		7951190014	8	F WASHER 10

Manitowoc Cranes

Description

KIT SELF ASSY RIGGING

Assembly No.

81038439

Revision: **D**

Item	FN	Part	Qty	Description
1		6247590	4	SHACKLE
3		81038423	4	LIFTING SLING
4		84026655	4	SLING 13.0 (FT) 40000(LB)
5		81041163	4	SHACKLE 20.5T SLING

Manitowoc Cranes

Description
LEVER ASSY

Assembly No.
1770804
Revision: **C**

Item	FN	Part	Qty	Description
1		177080001	1	LEVER
2		0700912	1	BUSHING
3		4292590	1	FITTING, GREASE
4		5467630	1	NUT, HEX JAM
5		6124540	1	SCREW, HEX CAP

Manitowoc Cranes

Description

BOOM BUTT SELF ERECT OPT.

Assembly No.

810280362

Revision: **A**

Item	FN	Part	Qty	Description
1101		810298582	2	PENDANT
1102		A135180	2	PIN HITCH.50 DIA X 5.00 LG

Manitowoc Cranes

Alphabetical Index	Appendix A	
Description	Part	Page
CAP DUST COVER SB350	80137526	783
CAP DUST QD -12	81041451	675, 777
CAP DUST QD -6	84019717 84019718	847 241
CAP DUST SIZE 24	810241160	1013
CAP SCREW	7126151653 7126191054 9974102661	865 789 898
CAP SCREW, HEX HEAD M8X70MM	7126172150	475, 533, 961
CAP SCREW, M10 X 100MM HEX HEAD	7126192650	511, 889
CAP SCREW, M10 X 120MM HEX HEAD	7126192850	511
CAP SCREW, M10 X 30	7127191353	715, 735, 743, 749, 773
CAP SCREW, M10 X 90MM HEX HEAD	7126192550	561
CAP SCREW, M10X130MM HEX HEAD	7126192950	781
CAP SCREW, M10X40 -10.9	7127191555	1009
CAP SCREW, M10X40 HEX HEAD	7127191550	749
CAP SCREW, M10X80 HEX SOCKET	7128192354	811
CAP SCREW, M12 X 120MM HEX HEAD	7126212850	455, 889
CAP SCREW, M12 X 35MM HEX HEAD	7127211453	179
CAP SCREW, M12X100 HEX HEAD	7126212650	577
CAP SCREW, M12X30 HEX HEAD	7126211350	577
CAP SCREW, M12X35 SOCKET HEAD	7126211454	139
CAP SCREW, M12X55 HEX HEAD	7126211853	171, 833
CAP SCREW, M16 X 55MM HEX HEAD	7127241850	689
CAP SCREW, M16 X 80MM LONG	7127242350	753
CAP SCREW, M20 X 45MM HEX HEAD	7127271650	691
CAP SCREW, M6 X 14MM HEX HEAD	7126150950	616
CAP SCREW, M6 X 16MM HEX HEAD	7126151053	119, 151, 433, 475, 715, 729, 731, 733, 739, 743, 761, 763, 765, 773
CAP SCREW, M6X20 HEX HEAD	7126151150	643, 865, 911, 938, 983, 991, 1001
CAP SCREW, M6X30 HEX HEAD	7126151350 7126151353	773 152, 781, 917
CAP SCREW, M8 X 20MM HEX HEAD	7126171150	299
CAP SCREW, M8 X 40MM HEX HEAD	7126171553	749
CAP SCREW, M8 X 55MM HEX HEAD	7126171850	525, 653
CAP SCREW, M8X10 HEX HEAD -8.8	7126170753	445
CAP SCREW, M8X25 HEX HEAD	7126171250	152
CAP SCREW, M8X35-8.8 HEX HEAD	7126171450	119
CAP SCREW, M8X50 HEX HEAD	7126171753	526, 539, 547, 573
CAP SCREW, M8X90	7126172550	797

From - CAP DUST COVER SB350

To - CAP SCREW, M8X90

Manitowoc Cranes

Alphabetical Index	Appendix A	
Description	Part	Page
ESI VPC WIRING	810282121	271
ESI WIRE ROPE GUIDE	81042564	959
EXHAUST TUBE 152.4X1.7X981.6	84033896	713
EXHAUST TUBE 5.00 OD X 0.065 W	84034350	713
EXTERIOR EQUIP CAB ASSY	810218742	7
EXTINGUISHER	4168000	31
EYE BOLT	84030841	25
EYE BOLT 3/8-16 X 4 LG	80108213	643, 917
EYE BOLT SHOULDER M10 X 17LG	81041877	445
F WASHER	7095300	883
	7097470	827
	7097490	219
	7097690	877
	7097810	753
	7097860	789
	7114270	689
	7114290	691
	81016691	163
	810196960	47, 58
	A016580	13
F WASHER 50.8ODX27.0IDX3.0 MM	81029161	231
F WASHER SHIM	1704782	425
	1706412	689
	810224450	215
	810224460	215
	81040328	526, 573, 750
	A023100	726
F WASHER, #10 ST SAE	7095020	616, 719
F WASHER, #4 ST SAE	7094040	787
F WASHER, 5/16 ST F436	7097440	13
FASTENER	81040009	67
	84020658	47, 57
FASTENER, WELL-NUT	7429000011	601
FILTER ASSY	810266260	533
FILTER ASSY DIESEL PARTICULATE	81026667	713
FILTER ASSY HYD TANK KIT	81038810	232
FILTER ASSY SCR HORIZ SIEO T4F	81026668	713
FILTER CARTRIDGE	84051856	232
FILTER ELEMENT	90046855	679, 681, 683, 685
FILTER FUEL	80110203	735
FILTER HYD STRAINER	84044904	232
FILTER, AIR (PRIMARY)	90025830	683, 685
FILTER, AIR (SECONDARY)	90025831	683, 685
FILTER, AIR RECIRCULATION	A103400	39
FILTER, DEF	90045339	685

From - ESI VPC WIRING

To - FILTER, DEF

Manitowoc Cranes

Alphabetical Index	Appendix A	
Description	Part	Page
HOSE ASSY .38 ID X 128 LG	7555212802	526
HOSE ASSY .50 ID X 170 LG	7555317061	850
HOSE ASSY .50 ID X 177 LG	7555317763	850
HOSE ASSY .50 ID X 27 LG	7555302771	456
HOSE ASSY .50 ID X 55 LG	7555305501	823
HOSE ASSY .50 ID X 70 LG	7555307001	807
HOSE ASSY .50 ID X 80 LG	7555308001	807
HOSE ASSY .50 X 105 LG	7555310500	513
HOSE ASSY .625 ID X 13.00 LG H	A179450	744
HOSE ASSY .625 ID X 18.00 LG H	A179460	744
HOSE ASSY .75 ID X 051 LG	7567600051	675, 677
HOSE ASSY .75 ID X 28 LG	7555502801	435
HOSE ASSY .75 ID X 47 LG	7555504701	397
HOSE ASSY .75 ID X 66 LG	7567600066	735, 737
HOSE ASSY .75 ID X 67 LG	7555506701	561
HOSE ASSY .75 X 223 LG	7555522300	585
HOSE ASSY 0.375 ID X 32 LG	7555203270	396, 435
HOSE ASSY 0.375IDX76LG	7555207642	296
HOSE ASSY 0.75 ID X 120 LG	7555512012	547
HOSE ASSY 0.75 ID X 127 LG	84044393	409
HOSE ASSY 0.75 ID X 140 LG	7555514001	265
HOSE ASSY 0.75 ID X 141 LG	7555514103	265
HOSE ASSY 0.75 X 220 STR/90	7555522001	573
HOSE ASSY 0.75 X 91 STR/45	7555507102	535
HOSE ASSY 0.75 X 91 STR/90	7555509103	535
HOSE ASSY 1.00 ID X 70 LG	7555607002	503
HOSE ASSY 1.00 ID X 118 LG	7555611801	503
HOSE ASSY 1.00 ID X 13 LG	7566101300	445
HOSE ASSY 1.00 ID X 33 LG	7556603301	469
HOSE ASSY 1.00 ID X 59.00 LG	7555605901	503
HOSE ASSY 1.00 ID X 66 LG	7565206628	545
HOSE ASSY 1.00 ID X 69 LG	7573606917	811
HOSE ASSY 1.00 ID X 95 LG	7555609502	503
HOSE ASSY 1.00 X 73 STR/STR	7555607360	541
HOSE ASSY 1.00 X 75 STR/90?	7555607571	493
HOSE ASSY 1.00 X 78 STR/90?	7555607801	503
HOSE ASSY 1.00 X 84 STR/90?	7555608471	493
HOSE ASSY 1.00ID X 142 LG	7555614200	469
HOSE ASSY 1.25 ID X 20 LG	7555702090	503

From - HOSE ASSY .38 ID X 128 LG

To - HOSE ASSY 1.25 ID X 20 LG

Manitowoc Cranes

Alphabetical Index	Appendix A	
Description	Part	Page
NAMEPLATE ID TAG ROUND #041	81018641	577
NAMEPLATE ID TAG ROUND #042	81018642	577
NAMEPLATE ID TAG ROUND #043	81018643	577
NAMEPLATE ID TAG ROUND #045	81018645	456, 561
NAMEPLATE ID TAG ROUND #046	81018646	456, 561
NAMEPLATE ID TAG ROUND #047	81018647	456, 561
NAMEPLATE ID TAG ROUND #048	81018648	456, 561
NAMEPLATE ID TAG ROUND #063	81018663	849
NAMEPLATE ID TAG ROUND #064	81018664	807, 849
NAMEPLATE ID TAG ROUND #065	81018665	849
NAMEPLATE ID TAG ROUND #066	81018666	849
NAMEPLATE ID TAG ROUND #067	81018667	807, 849
NAMEPLATE ID TAG ROUND #070	81018670	577
NAMEPLATE ID TAG ROUND #071	81018671	577
NAMEPLATE ID TAG ROUND #090	81018690	675
NAMEPLATE ID TAG ROUND #091	81018691	677
NAMEPLATE ROUND #090	80097462	777
NAMEPLATE ROUND #091	80097463	777
NAMEPLATE WIPERS HVAC RADIO	81037048	57
NIPPLE PIPE	5434050 5435610	735, 737 865
NIPPLE, CLOSE	810140210	743
NIPPLE, DRAIN (1/2")	9515220022	39
NIPPLE, PIPE	3772200 5438050	231 355
NUT	1715872 5485590	971, 977 667
NUT PANEL	5469560 5469670	277, 605, 621, 655, 941, 1013 223, 427, 605, 615, 621, 885, 941
NUT RING M95 2	81026697	273
NUT, FLAT OPEN BLIND RIVET	A026930	17
NUT, HEX	5460500 5460520 5460530 5460540 5460560 90024346	5, 47, 57, 67 47, 57, 601 5, 13, 379, 425, 739, 953 739, 947 753 898
NUT, HEX HEAVY	5467620 5468370	25 29, 47, 57, 615, 621
NUT, HEX JAM	5462710 5467630	753 945, 947, 949, 1015, 1017

From - NAMEPLATE ID TAG ROUND #041

To - NUT, HEX JAM

Manitowoc Cranes

Alphabetical Index	Appendix A	
Description	Part	Page
Q DISCON FITTING	810052050	456, 577, 811
	810052060	561, 849
	810114700	513, 561, 812, 849
	810114710	455, 577, 811, 850
	810121640	513, 877
	810121650	433, 525, 577
	810210270	526, 547
	810210280	589, 878
	810216660	409, 889
	810216670	504
	810301880	573, 585
	Q DISCON FITTING A/C NO. 10 FE	81036103
Q DISCON FITTING A/C NO. 6 FEM	81036105	775
Q DISCON FITTING COUPLER -6X-6	81042681	847
Q DISCON FITTING HYD COUPLER 1	81036803	677, 777
Q DISCON FITTING HYD NIPPLE 12	81036804	675, 777
Q DISCON FITTING NIPPLE -6 X -	81042682	241
QUICK RELEASE PIN	5637970	349, 351, 833
RAD CAP	90039065	725
RADIO, AM/FM RECEIVER W/CD	A005270	65
RECEPT (23S)	7892001013	622
RECEPTACLE	5725980	53, 71
	5898710	73
	5898830	621
	5899750	47
	810152050	957
	810164590	955
	A002600	58
RECEPTACLE 1/4 TURN	81005252	327
RECEPTACLE 3P4W 60A INTERLOCK	81038865	667
RECEPTACLE DUST CAP	810205460	621
RECEPTACLE W/ WEDGE LOCK W4P	810167080	341
RECEPTACLE WITH WEDGE LOCK	810010960	601
RECEPTACLE,	7892000222	622
RECEPTACLE, 3 WAY	7892100036	69, 625
REDUCER	7013000524	477
REDUCER 2.50 X 2.25 ID X 3	84034120	726
REDUCER RUBBER	A029530	715
REEL-CABLE	5911160	643, 917
REGEN INITIATE/INHIBIT SWITCH	80017626	145
RELAY 24V 10A	810247150	622
RELAY 24V 15A	80113668	57
RELAY 24V TIME DELAY	81025604	622
	81036495	622
RELAY AUTOMOTIVE SPST-NO	81002432	621

From - Q DISCON FITTING

To - RELAY AUTOMOTIVE SPST-NO

Manitowoc Cranes

Alphabetical Index	Appendix A	
Description	Part	Page
TERMINAL	6807100	65
	6808230	65, 621
	6808530	621
	810008490	621
	810063840	75
	A006730	341
	A008029	63
TERMINAL - FEMALE	6806640	622
TERMINAL BLOCK	810206720	615
TERMINAL BLOCK 3 STUD BLK	81038878	781
TERMINAL BLOCK 3 STUD RED	81038877	781
TERMINAL BLOCK BUSHING 550A BL	81038857	783
TERMINAL BLOCK BUSHING 550A RE	81038858	783
TERMINAL FEM	6808270	621
TERMINAL FEMALE .187	680829	621
TERMINAL KEYING PIN	81025614	622
TERMINAL PARALLEL SPLICE	6806700	621
	6808520	621
TERMINAL RING 22-16 AWG/#10	680838	621
TERMINAL SOCKET CONTACT 12-14	6806960	621
TERMINAL, MALE	7345001746	655
TERMINAL, PIN	6806940	53, 71, 955, 957
TERMINAL, PIN CONTACT	6805450	5
TERMINAL, SLIP ON	6806620	75, 621
TERMINAL, SLIP-ON NON-INSUL W/	6807150	621
TERMINAL, SOCKET	6808220	75
THERMOSTAT	81038279	661
THREADED INSERT #10-32UNF SS	84025251	14
TIE WIRE	810053140	987, 993, 1003
	810298010	219
TIMBER	810277952	911, 983, 991, 1001
TIMBER 2.50 X 3.50 X 17.3L	810289122	755
TIMBER 38.1 X 88.9 X 616	84019907	719
TIMBER 38.1X88.9X1064.0	84024128	937
TIMBER 38.1X88.9X1375.0	84032131	983
TOOL HAMMER ESCAPE	81042160	31
TOOL TAPE MEASURE	80135746	237
TOP MACHINING #500, 10.0 M	81027720	937
TRANSCEIVER BASE 2.4 GHZ	81042455	633
TRANSCEIVER SETUP REMOTE 2.4 G	81029826	633
TREAD PIN	0119782	871
TRIM	6926560	63, 545, 726

From - TERMINAL

To - TRIM

Manitowoc Cranes

Numeric Index		Appendix B
Part	Description	Page
1949362	PIN 2 HOLE	271
1953192	PIN	771
1956662	PIN 2 HOLE	425
1963692	ELBOW RUBBER, MODIFIED 407040	725
1963992	PIN	1011
1970252	DECAL CAUTION-WELDING	89
2241950	BEARING, BALL	875
2245800	BEARING, SPHERE	445
2250190	BEARING	971, 977, 1021
2251050	BEARING LOCKNUT	1023
2251110	BEARING LOCK WASHER	1023
2254890	BEARING	73
2256650	BEARING, SPHERICAL ROLLER	355, 389, 417
2361430	FUSE BLOCK	621
2442030	C BOLT	299
2442050	C BOLT	299
2491980	SQ BOLT	739
2503890	HHCS	739
2504530	HHCS	465
2528810	SCREW, SOCKET SET	947, 1015
2752290	BREAKER CIRCUIT	667
2752330	BREAKER CIRCUIT	661
275324	BREAKER CIRCUIT 120 AMP	621
2888300	PIPE, HEX BUSHING	231
2897970	BUSHING	629
2898180	BUSHING, COMPOSITE	953
2898230	BUSHING	391
2898270	BUSHING	151
2898290	BUSHING	379, 425
2900130	BUSHING 1.004 X 1.189 X 1.25	379, 425
2900240	BUSHING	425
2967160	CABLE PER FOOT	783
2971480	CABLE WIRE #4 THHN WHITE	667
2971490	CABLE WIRE #4 THHN BLACK	667
2971810	CABLE, LO-TEMP	957
2972110	CABLE, WIRE	283, 285, 381, 427, 619, 631, 651, 951, 1019
2972140	CABLE	65
2974710	ELEC CABLE	609
2977100	CABLE WIRE 6 AWG-BLACK	623

From - 1949362

To - 2977100

Manitowoc Cranes

Numeric Index		Appendix B
Part	Description	Page
7121060801	SLOT PMS	67
7121130601	Slot PMS M5x8 -4.8 ISO 1580	601
7121130801	MACHINE SCREW	601, 953
7121171301	SLOT PMS	743, 937
7126110953	HHCS M4x14 -8.8 ISO 4017	77, 339
7126111053	HHCS M4X16 8.8 ISO 4017	641
7126111253	HHCS M4x25 -8.8 ISO 4017	63, 605
7126130853	HHCS M5x12 -8.8 ISO 4017	611
7126131153	HHCS M5x20 -8.8 ISO 4017	223, 593, 595, 641, 651, 885, 943
7126131154	SHCS	661, 959
7126131254	SHCS	959
7126131353	HHCS M5x30 -8.8 ISO 4017	317
7126131654	SHCS M5x45 -8.8 ISO 4762	381
7126131754	SHCS M5x50 -8.8 ISO 4762	651
7126150753	HHCS M6x10 -8.8 ISO 4017	655
7126150854	SHCS M6X12	371, 403, 429, 463
7126150950	CAP SCREW, M6 X 14MM HEX HEAD	616
7126151053	CAP SCREW, M6 X 16MM HEX HEAD	119, 151, 433, 475, 715, 729, 731, 733, 739, 743, 761, 763, 765, 773
7126151150	CAP SCREW, M6X20 HEX HEAD	643, 865, 911, 938, 983, 991, 1001
7126151153	HHCS M6X20 SS ISO 4017	151, 215, 279, 475, 615, 657, 667, 729, 731, 733, 761, 763, 765, 869, 1027
7126151253	HHCS M6X25 8.8 FLZN 4017	657, 715, 781, 783, 891, 953
7126151350	CAP SCREW, M6X30 HEX HEAD	773
7126151353	CAP SCREW, M6X30 HEX HEAD	152, 781, 917
7126151453	HHCS M6x35 -8.8 ISO 4017	77, 525
7126151553	HHCS	317
7126151653	CAP SCREW	865
7126151654	SHCS M6X45 -8.8 ISO 4762	783
7126151753	CAP SCREW, M6X50 -8.8 ISO 4017	119
7126151853	HHCS FULL THREAD	497
7126152053	HHCS M6x65 -8.8 ISO 4017	279, 615, 793, 943
7126152253	HHCS M6x75 -8.8 ISO 4017	535
7126170753	CAP SCREW, M8X10 HEX HEAD -8.8	445
7126170853	HHCS M8x12 -8.8 ISO 4017	605, 609
7126170953	HHCS M8x14 -8.8 ISO 4017	553
7126171053	HHCS M8X16 SS ISO 4017	69, 119, 151, 333, 373, 433, 455, 475, 536, 637, 641, 655, 725, 849

From - 7121060801

To - 7126171053

Manitowoc Cranes

Numeric Index		Appendix B
Part	Description	Page
7555310500	HOSE ASSY .50 X 105 LG	513
7555311001	HOSE ASSY CODED	807
7555314202	HYDR HOSE ASSY	525
7555316002	HOSE ASSY CODED	535
7555317061	HOSE ASSY .50 ID X 170 LG	850
7555317763	HOSE ASSY .50 ID X 177 LG	850
7555501601	3/4" I.D. HYDR HOSE ASSY STR-9	397
7555502002	HOSE ASSY 3/4 X 20 STR/45?	541
7555502102	HOSE ASSY, 3/4" I.D. X 21" LONG	545
7555502201	HOSE ASSY, 3/4" I.D. X 22" LONG	435
7555502561	HYD HOSE ASSY	469
7555502761	3/4" I.D. HYDR HOSE ASSY STR-9	469
7555502801	HOSE ASSY .75 ID X 28 LG	435
7555502802	HOSE ASSY, 3/4" I.D. X 28" LONG	436
7555502901	HOSE ASSY CODED	455
7555503003	HYD HOSE ASSY	265
7555503102	HOSE ASSY, 3/4" I.D. X 31" LONG	455
7555503201	HOSE ASSY, 3/4" I.D. X 32" LONG	295, 535
7555503471	HOSE ASSY CODED	265
7555503702	HOSE ASSY CODED	503
7555503801	HOSE ASSY, 3/4" I.D. X 38" LONG	295, 541
7555504281	HOSE ASSY, 3/4" I.D. X 42" LONG	547
7555504392	HOSE ASSY -12 X 43 LG	504
7555504400	HYDR HOSE ASSY	513
7555504401	HOSE ASSY, 3/4" I.D. X 44" LONG	405
7555504471	HOSE ASSY CODED	265
7555504600	HOSE ASSY CODED	405
7555504601	HOSE ASSY, 3/4" I.D. X 46" LONG	503
7555504602	HOSE ASSY	503
7555504603	3/4" I.D. HYDR HOSE ASSY STR-	265
7555504701	HOSE ASSY .75 ID X 47 LG	397
7555506402	HOSE ASSY -12 X 64 LG	541
7555506701	HOSE ASSY .75 ID X 67 LG	561
7555506871	3/4" I.D. HYDR HOSE ASSY STR-9	265
7555507073	HOSE ASSY CODED	265
7555507102	HOSE ASSY 0.75 X 91 STR/45	535
7555509103	HOSE ASSY 0.75 X 91 STR/90	535
7555509180	HOSE ASSY CODED .50 ID X 69 LG	589
7555509680	HOSE ASSY	589

From - 7555310500

To - 7555509680

Manitowoc Cranes

Numeric Index		Appendix B
Part	Description	Page
80127217	VALVE	504
80127272	MANIFOLD BLOCK HEADER -8 X -12	535
80127462	BREATHER DESICCANT 20 CFM	232
80127697	CYL HYD 75 x 121 207 BAR	877
80127698	CYL HYD 40 X 255, 350 BAR	1009
80127699	CYL HYD 45 X 390, 350 BAR	1009
80127704	CYL HYD 40 X 60 X 207 BAR	379
80127705	CYL HYD 40 X 60, 207 BAR	425
80127706	CYL HYD 100 X 694.5, 210 BAR	791
80127707	CYL HYD 50 X 140, 250 BAR	271
80127708	CYL HYD 75 X 318, 152 BAR	151
80127709	CYL HYD 190/170 X 1067 210 BAR	825
80127710	CYL HYD 150 X 1524, 280 BAR	215
80127944	FITTING 2-1 NPT MALE REDUCER	232
80127999	BREATHER REPLACEMENT FILTER	232
80128133	SHEAVE ASSY 609.6 28.0	929, 931, 933, 935, 959
80128134	SHEAVE ASSY 605.0 26.0	219, 225
80128139	ESI CARBODY	787
80128140	BRACKET SLIP RING	793
80128207	TUBE ASSY LIVE MAST CYL	495
80128208	TUBE ASSY LIVE MAST CYL	495
80128209	BRACKET LIVE MAST CYL	495
80128210	TUBE PREFORMED .875 OD X .049W	866
80128800	ARM LIVE MAST RAISING	215
80129250	CABLE GLAND NPT 0.50 ID 4-10	283, 285, 619, 631, 951, 1019
80129368	LIMIT SWITCH MOLDED 3P SUBASSY	281, 615, 947, 1015
80129369	CABLE	283, 285, 381, 427, 619, 631, 651, 951, 1019
80129659	BRACKET DRUM 5	578
80129731	LIMIT SWITCH SUBASSY LINEAR	627
80130011	SHEAVE ASSY 609.6 28.0 SENSOR	959
80130113	SHIM 12GA	999
80130115	SHIM 16GA	999
80130116	SHIM 20 GA	999
80130207	SHEAVE MACH 609.6 28.0 SENSOR	961
80130297	CABLE GLAND .50 NPT .25-.38	381, 427, 651
80130330	LIMIT SWITCH ASSY ROTARY RIGHT	651
80130331	LIMIT SWITCH ASSY ROTARY FRONT	427
80130332	LIMIT SWITCH ASSY ROTARY LEFT	381, 651

From - 80127217

To - 80130332

Manitowoc Cranes

Numeric Index		Appendix B
Part	Description	Page
810254602	BRACKET	223, 427, 615, 859, 943
810254612	BRACKET	279, 615, 1013
810254722	CLAMP CABLE	911, 938, 983, 991, 1001
810255040	HOSE	725
810255720	VALVE MANIFOLD	299, 476
81025576	VALVE DIR CTRL D05 3P4W	309, 489, 555
810255982	PIN PIVOT	877
810255992	BRACKET	877
81025600X	ENERGY CHAIN	291
81025601	PIN PULLER BOOM HINGE	873
81025604	RELAY 24V TIME DELAY	622
81025605	FUSE BOX ATC 20 2 BUS	622
81025613	STUD STANDOFF 38 HEX M-F 3.0	622
81025614	TERMINAL KEYING PIN	622
81025616	CIRCUIT BREAKER 40A 24V	622
81025617	BRACKET FUSE HOLDER	622
810256240	HYD MOTOR 250CC PIS VAR B1 24V	355
81025627	CTWT TROLLEY MACHINING	271
81025648	WIRE 10 AWG TXL	623
810256520	SHCS M30-1.5 X 230LG, 12.9	841
810256572	STRUT	883
810256580	SPRING	883
810256592	BOOM STOP	883
810256660	ELEC CABLE	917
810257070	VALVE ASSY	395, 433
810257790	BUSHING COMPOSITE 2.76 X 3.25	883
810257802	ROLLER PLATE 70 MM	883
810257812	ROLLER ASSY	883
810258542	WASHER SHOULDER	883
810258710	ENCODER ABSOLUTE	317
81025906	ESI CAB INTERIOR WIRING	3
810259082	BRACKET	793
810259451	ESI BOOM BUTT	873
810259471	ESI DRUM 6	379
81025948	ESI BOOM TOP	941
810259560	COUPLING SLEEVE	793
810259962	RETAINER	259
810259970	SFHCS	259
81026017	ADAPTER D05 A B SHUTTLE	309, 489, 555

From - 810254602

To - 81026017

Manitowoc Cranes

Numeric Index		Appendix B
Part	Description	Page
810299161	CHAIN ASSY	337
810299170	CHAIN	343
810299430	DECAL RADIUS	89
810299490	DECAL DRUM ID	89
810299542	FRAME MACHINING	337
810299552	PIN 1 HOLE W/HD	337
810299562	PIN 1 HOLE	337
810299732	BRACKET	849
810299740	DECAL COOLANT LEVEL FULL (LAND	89
810299750	DECAL WARNING COOLANT BURN HAZ	89
810300010	SENSOR	355, 379, 417, 445
810300032	PIN 2 HOLE 50.8 MM X 172 MM LG	111
810300071	CATWALK ASSY #500 12M HEAVY	911
810300312	HANDRAIL	207
810300471	GUARD ASSY VPC	271
810300492	GUARD	313
810300912	CATWALK	915
810300922	CATWALK	915
81030137	PLATFORM WELDMENT CARBODY	349
810301572	HANDRAIL	209
810301670	WIRING HARNESS WEH1	655
810301722	LADDER	887, 915, 965, 987, 993, 1003
810301742	PIN 1 HOLE W/HD	337
81030184	BEAM ASSY FORK TUBE	349, 351
810301880	Q DISCON FITTING	573, 585
810302240	TUBE PREFORMED	405
810302282	PLATFORM CARBODY WELDMENT	351
810302572	PLATFORM	833
810302582	COVER ACCESS WELDMENT CARBODY	351
810302622	LADDER	163
810302632	ARM	163
810302782	HANDRAIL	152
810302802	BRAKE ASSY CAB DOOR BRAKE	14
81030281	BRACKET WELDMENT DOOR BRAKE	25
810302822	BRACKET	163
810303000	SHIM	839
810303010	SHIM	839
810303162	BRACKET	833
810303242	BRACKET	179

From - 810299161

To - 810303242

CLICK HERE TO **DOWNLOAD** THE COMPLETE MANUAL

- Thank you very much for reading the preview of the manual.
- You can download the complete manual from: www.heydownloads.com by clicking the link below



- Please note: If there is no response to CLICKING the link, please download this PDF first and then click on it.

CLICK HERE TO **DOWNLOAD** THE COMPLETE MANUAL