

Manitowoc Cranes MACHINE COMPONENT INDEX

Date: June 03, 2020

Rev:

<u>Model Number</u> 14000		<u>Serial Number</u> 14001182	
Item	Part	Description	Page
		ROTATING STRUCTURE	
1	84035567	CAB ASSY VISION CAB	3
	810243544	CAB ASSY	5
	810218742	EXTERIOR EQUIP CAB ASSY	11
	81021878	DOOR ASSY CAB	15
	81021879	WINDOW ASSY CAB	17
	810219011	WINDSHIELD WIPER ASSY CAB	19
	A027140	ROLLER ASSY CAB DOOR FRONT TRO	21
	810302802	BRAKE ASSY CAB DOOR BRAKE	23
	A037000	ROLLER ASSY	25
	810218752	INTERIOR EQUIP CAB AIR DUCTS	27
	81021876	INTERIOR EQUIP CAB ASSY	29
	810218772	INSULATION ASSY CAB	31
	80113630	HVAC ASSY CAB	33
	84039648	HVAC KIT CAB INSIDE PARTS	35
	90046833	PEDESTAL UNIT	37
	810223752	MAT FLOOR ASSY CAB	39
1	1766412	DOWEL	NO DWG
1	810073550	PARTS BOX	NO DWG
1	80116023	DECAL KIT 14000 STANDARD EN	41
	80116024	DECAL KIT 14000 STANDARD CAB	43
	80102744	PLATE CRANE ID MFG IN SG	NO DWG
	80116025	DECAL KIT 14000 STD UPPERWORKS	45
	80116026	DECAL KIT 14000 STD BASIC BOOM	47
	81008990	DECAL KIT 14000 PARTS BOX (EN)	49
2	2511549	BOLT FINISHED HEX	NO DWG
3	7114260	F WASHER	NO DWG
3	80116028	DECAL KIT 14000 NOMENCLT STD	51
4	810044801	ROTATING BED ASSY	53
5	80116299	DECAL KIT 14000 VISION CAB	55
8	A154080	SLEWING RING BRG	NO DWG
16	A158961	PLATFORM ASSY	57
17	A158971	PLATFORM ASSY	59
20	A168791	BUSHING	61

CLICK HERE TO **DOWNLOAD** THE COMPLETE MANUAL

- Thank you very much for reading the preview of the manual.
- You can download the complete manual from: www.heydownloads.com by clicking the link below



- Please note: If there is no response to CLICKING the link, please download this PDF first and then click on it.

CLICK HERE TO **DOWNLOAD** THE COMPLETE MANUAL

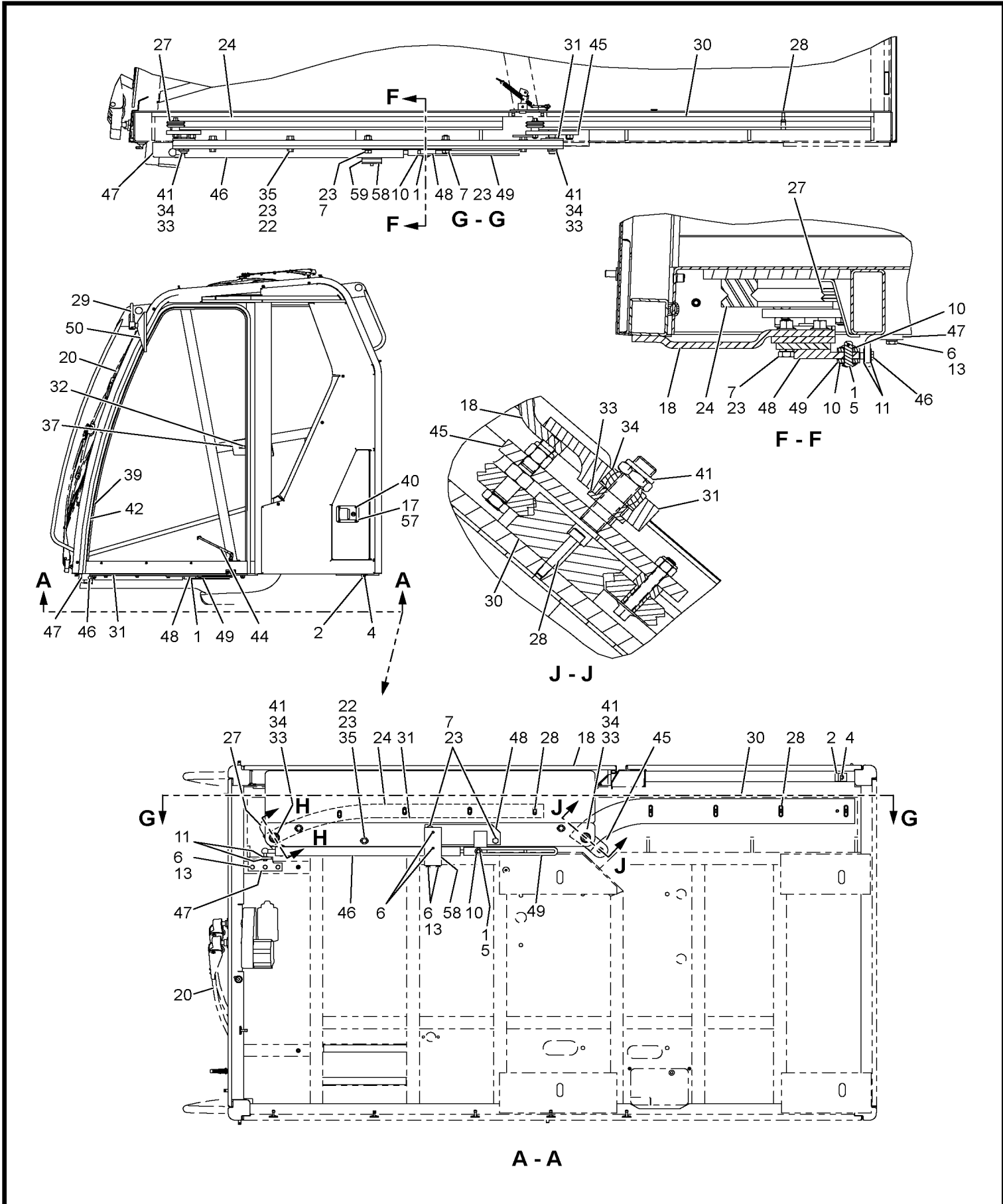
Manitowoc Cranes MACHINE COMPONENT INDEX

Date: June 03, 2020

Rev:

<u>Model Number</u> 14000		<u>Serial Number</u> 14001182	
Item	Part	Description	Page
	810166781	CATWALK ASSY 12.0 M #76 INSERT	801
24	A19788	GANTRY ASSY	807
	1766244	LINK PENDANT W/290037 BUSHING	811
	6462450	SOCKET/WEDGE, 7/8" (22 MM)	813
	A16060	BACKHITCH ASSY	815
	A161841	PIN PULLER ASSY	817
	A161860	CYLINDER HYDR	819
	A161624	LINK ASSY CTWT HANDLI	821
	A161674	LINK ASSY CTWT HANDLI	823
	A192001	ROLLER ASSY	825
	A192861	ROLLER ASSY	827
	A192881	ROLLER ASSY	829
	A197951	CYLINDER HYDR ASSY	831
	A194990	CYLINDER HYDR	833
24	719432C	WIRE ROPE 1475 FT 26MM 34LRXS	NO DWG
24	80116307	DECAL KIT 14000 BOOM INSERT	835
25	81033069	12.00M INSERT	837
	A161153	INSERT 12.00M ASSY	839
	810166781	CATWALK ASSY 12.0 M #76 INSERT	841
25	719432E	WIRE ROPE 1020 FT 26MM 34LRXS	NO DWG
26	81027535	12.00M INSERT W/INTER STRUT	843
	A161153	INSERT 12.00M ASSY	845
	810166781	CATWALK ASSY 12.0 M #76 INSERT	847
	A179531	BOOM ASSY #76 INTER STRUT	849
28	A16462C	INSERT 10 FT	851
30	81033064	PARTS BOX STD 14000	853
	A181259	ANEMOMETER ASSY INDICATOR	855
	A044140	SENSOR, WIND SPEED	857
31	A16462D	INSERT 20 FT	859
31	80108766	PARTS BOX DET UPPER PT 14000	861
	1655485	SOCKET-WEDEGE FOR UPPER POINT	863
	6462460	SOCKET/WEDGE, 1" (26 MM)	865
	170419A	PIN FOR DEAD END ANCHOR LINK	867
32	80108770	PARTS BOX FIXED JIB 14000	869

Manitowoc Cranes



810218742

(SHEET 2 OF 4)

Page 9

Manitowoc Cranes

Description

WINDSHIELD WIPER ASSY CAB

Assembly No.

810219011

Revision: **B**

Item	FN	Part	Qty	Description
1		4720140	1	GROMMET
2		5366480	6	MOUNT
3		6670070	6	STRAP
4		A019660	1	WIPER ARM, FRONT
5		A019670	1	WIPER BLADE, FRONT
6		A019690	1	WIPER ARM, OVERHEAD
7		A019700	1	WIPER BLADE, OVERHEAD
8		A019720	2	VALVE, CHECK WASHER
9		A019730	2	CONNECTOR, BULKHEAD
10		A025890	2	TUBING, RUBBER
11		A030802	1	BRACKET, WIPER MOTOR BACKING P
13		A202790	1	WIPER MOTOR, ROOF
14		A202800	1	WIPER MOTOR, FRONT

Manitowoc Cranes

Description

INTERIOR EQUIP CAB ASSY

Assembly No.

81021876

Revision: **F**

Item	FN	Part	Qty	Description
1		2982290	1	ANTENNAE, RADIO
2		4168000	1	EXTINGUISHER
3		4838130	1	HOLDER, CUP
6		6184170	14	PHIL TMS 8-32UNC X 0.50 GR 1
7		6184180	9	PHIL TMS 10-32UNF X 0.50 GR 5
8		810261500	7	PHIL TMS
9		7094020	2	WASHER, FLAT
10		7103010	2	L WASHER MEDIUM
14		810210470	1	LAMP, DOME LIGHT WITHOUT SWITCH
16		7661110004	2	NUT
18		7951110014	2	WASHER, 4MM I.D.
20		A002590	1	ASHTRAY
21		A022850	1	SUN VISOR
22		A025600	1	SHADE SUN OVERHEAD
23		A025610	1	SHADE SUN SIDE WINDOW
24		4844130	2	HOOK, HANGER
25		A027790	2	SPEAKER, RADIO
26		A027800	1	STRAP, CARGO NET
27		A028092	1	BRACKET, FIRE EXT/WIRING
28		A028432	1	COVER PLATE, CAB REAR OVERHEAD
29		A105450	1	LINK
30		A097190	12	PHIL TMS
31		5460750	8	HEX NUT
32		7103000	8	L WASHER MEDIUM
33		81042160	1	TOOL HAMMER ESCAPE
34		6177480	3	SLOT RMS
35		7950140143	7	F WASHER 1/4 ST SAE
36		810162772	7	INSERT THREADED

Manitowoc Cranes

Description
MAT FLOOR ASSY CAB

Assembly No.
810223752
Revision: **C**

Item	FN	Part	Qty	Description
1		6677480	1	STRIP, SAFETY WALK
2		80117637	1	MAT FLOOR CAB
3		A029892	1	BRACKET, FLOOR MAT EDGE TRIM
4		A031000	3	SCREW, SOCKET BUTTON FLANGE
5		A032080	1	MAT FLOOR

Manitowoc Cranes

Description

DECAL KIT 14000 PARTS BOX (EN)

Assembly No.

81008990

Revision: **FA**

Item	FN	Part	Qty	Description
1		810071430	3	DECAL PARTS BOX PACK DIAGRAM
4		810074140	3	DECAL PARTS BOX PACK DIAGRAM
5		810078120	1	DECAL
6		810078110	1	DECAL

Manitowoc Cranes

Description
PLATFORM ASSY

Assembly No.
A158971
Revision: C

Item	FN	Part	Qty	Description
1		7126211353	23	HHCS M12X30 8.8 FLZN ISO 4017
2		7126211553	4	HHCS M12X40 8.8 FLZN ISO 4017
3		7126211953	1	HHCS M12x60 -8.8 ISO 4017
4		7126212153	4	SCREW, HEX CAP
5		7661210003	9	NUT, HEX 12MM N.C.
6		7951210014	35	F WASHER 12 -ST ISO 7089
7		7951210210	31	LOCK WASHER, 12MM I.D.
8		A179542	4	PLATFORM WELDMENT
9		A179569	1	PLATFORM WELDMENT
10		A180302	1	PLATFORM WELDMENT
11		A180319	1	BRACKET WELDMENT

Manitowoc Cranes

Description

BEAM ASSY CWT ALIGNMENT

Assembly No.

A196989

Revision: **B**

Item	FN	Part	Qty	Description
1		5621090	2	PIN COTTER
2		5638030	2	PIN WIRE LOCK
3		5467720	2	HEX JAM NUT
4		A195149	2	ROD
5		A195212	2	PIN 2 HOLE
6		A195490	2	HEX FLG SPHERICAL NUT

Manitowoc Cranes

Description
ENCLOSURE ASSY TIER 4 LS

Assembly No.
81011434
Revision: **C**

Item	FN	Part	Qty	Description
1		4113990	1	SHOCK
2		4116030	1	BRACKET, SHOCK
3	+	810025150	1	PANEL, ENCLOSURE ASSEMBLY
4		810116892	1	FRAME, MTG ENCLOSURES TIER 4 I
5		7103010	13	L WASHER MEDIUM
6		7111100611	13	SLOT PMS #10-24UNCX0.75 G1
7		7126211353	1	HHCS M12X30 8.8 FLZN ISO 4017
8		7660100001	13	HEX NUT 10-24UNC GR 5
9		7950100161	13	FLATWASHER, 3/16" I.D.
10		7951210014	2	F WASHER 12 -ST ISO 7089
11		7951210210	1	LOCK WASHER, 12MM I.D.
12	+	A085500	1	PANEL, ENCLOSURE ASSEMBLY
13	+	A085550	1	PANEL, ENCLOSURE ASSEMBLY
14	+	A179670	1	PANEL, ENCLOSURE ASSEMBLY
15		7126211553	2	HHCS M12X40 8.8 FLZN ISO 4017

+ SEE FURTHER BREAKDOWN THIS GROUP

Manitowoc Cranes

Description

COVER ASSY WINDOWS VISION CAB

Assembly No.

A03316

Revision: **D**

Item	FN	Part	Qty	Description
1		5638510	31	PIN HAIR COTTER
4	*	A033000	1	COVER WINDOW, RIGHT REAR
5	*	A033010	1	COVER WINDOW, RIGHT FRONT
6	*	A033020	1	COVER WINDOW, BACK
7	*	A033050	1	COVER WINDOW, FRONT
8	*	84034591	1	COVER WINDOW, TOP
13	*	810158870	1	COVER WINDOW, LEFT SIDE
20	*	4952699	1	WINDOW COVER KIT PART NOT SHOWN.

* REPAIR KIT AND/OR PART OF KIT

Manitowoc Cranes

Description
COUNTERWEIGHT ASSY

Assembly No.
A158181
Revision: **J**

Item	FN	Part	Qty	Description
100		1722982	4	PIN
101		1765822	2	COUNTERWEIGHT SIDE
102		1767632	4	PIN 2 HOLE
103		5621100	8	PIN COTTER
104		5638710	8	PIN, SAFETY
105		A179612	1	COUNTERWEIGHT BOX

Manitowoc Cranes

Description

HYD FILTER RETURN TO TANK

Assembly No.

A179080

Revision: **D**

Item	FN	Part	Qty	Description
1		9437220081	1	COVER ASSEMBLY
2		9437220082	1	SHROUD/SHELL SUB-ASSEMBLY
3		90016848	1	SWITCH, PRESSURE (16 PSI)
4		A179240	1	ELEMENT, FILTER
5	+	9437220086	1	KIT, SEAL

+ SEE FURTHER BREAKDOWN THIS GROUP

Manitowoc Cranes

Description

MOUNT MOTOR ASSY TRAVEL DRIVE

Assembly No.

810195547

Revision: **B**

Item	FN	Part	Qty	Description
1	+	2721420	1	BRAKE, TRAVEL
2		4284550	2	FITTING ADAPTER STRAIGHT
3		6146230	4	HHCS 20 X 55 8.8
4		6184800	4	HHCS
5		7103080	4	WASHER, LOCK
6	+	810000090	1	MOTOR HYD
7		810048500	8	STUD
8		7661190003	8	NUT, HEX 10MM
9		7951190220	8	L WASHER 10

+ SEE FURTHER BREAKDOWN THIS GROUP

Manitowoc Cranes

<u>Description</u> MOTOR HYD				Assembly No. 81000090 Revision: FA
Item	FN	Part	Qty	Description
1		9632220022	2	PLUG
2		9632220023	2	O-RING
3		9632220025	1	RING, SEAL
4		9632220026	1	O-RING
5		9632220031	1	VALVE BUSHING ASM INCLUDES ITEM 31
6		9632220005	5	PLUG
7		9632220035	5	O-RING
8		9632220004	4	PLUG
9		9632220036	4	O-RING
10		9632220208	2	PLUG
11		9632220035	2	O-RING
12		9632220040	4	SCREW, SOC HD
13		9632220044	2	PLUG
14		9632220045	2	O-RING
15		9794220014	1	GASKET, END CAP
16		9632220042	3	O-RING
17		9632220047	1	SPRING
18		9632220048	1	SEAT, SPRING
19		9632220051	1	O-RING
20		9632220049	1	SEAT, SPRING
21		9632220286	1	KIT, CHARGE PRESSURE RELIEF
22		7031235	1	O-RING
23		9632220035	1	O-RING
24		9632220232	1	KIT, PISTON RING
25		5364624	1	KIT INCLUDES ITEMS 32 THRU 40
26		5364515	1	MOTOR SEAL KIT INCLUDES ITEMS 41, 42 AND 43
27		9632220230	1	SYNCH SHAFT ASSEMBLY
28		9632220062	1	CAP, TAMPER PROOF (GREEN)
29		5499540	1	ORIFICE
30		9632220007	2	ORIFICE, 0.5, M6 X 8
31		9632220032	1	O-RING
32		9632220041	2	O-RING
33		9632220226	1	SEAL, GASKET/O-RING
34		9632220056	1	PISTON, SENSING
35		9632220005	7	PLUG
36		9632220035	7	O-RING
37		9632220004	1	PLUG

Manitowoc Cranes

<u>Description</u> HYDRAULIC PIPING CARBODY WITH				Assembly No. 840347563 Revision: B
Item	FN	Part	Qty	Description
200		3455110	6	CLAMP TUBE, 0.75 DIA
201		3455150	32	CLAMP, TUBE
202		7447080801	4	ADAPTER, STRAIGHT INCLUDES THE FOLLOWING PARTS
		7755014002	1	O-RING
		7755908002	1	O-RING
203		7447080803	4	ELBOW, 90 DEGREE MALE INCLUDES THE FOLLOWING PARTS
		7755014002	1	O-RING
		7755908002	1	O-RING
204		7447081001	5	ADAPTER, STRAIGHT MALE INCLUDES THE FOLLOWING PARTS
		7755014002	1	O-RING
		7755910002	1	O-RING
205		7447081003	3	ELBOW, 90 DEGREE INCLUDES THE FOLLOWING PARTS
		7755014002	1	O-RING
		7755910002	1	O-RING
206		84043467	1	HOSE ASSY LOWER WORKS PRESSURE
207		7555305461	1	HOSE ASSY, 1/2" I.D. X 54" LONG
208		7555307260	1	HOSE ASSY 0.50 ID X 72 LG
209		7555307260	1	HOSE ASSY 0.50 ID X 72 LG
210		7555307260	1	HOSE ASSY 0.50 ID X 72 LG
211		7555307561	1	HOSE ASSY 0.50 ID X 75 LG
212		7555307561	1	HOSE ASSY 0.50 ID X 75 LG
213		7555307561	1	HOSE ASSY 0.50 ID X 75 LG
214		84034767	1	TUBE ASSY CARBODY JACKING CYL
215		84034768	1	TUBE ASSY CARBODY JACKING CYL
216		84034883	1	TUBE ASSY CARBODY JACKING CYL
217		84034888	1	TUBE ASSY CARBODY JACKING CYL
218		84034889	1	TUBE ASSY CARBODY JACKING CYL
219		84034891	1	TUBE ASSY CARBODY JACKING CYL
220		A174800	1	TUBE PREFORMED
221		A174800	1	TUBE PREFORMED
222		A174800	1	TUBE PREFORMED
223		A174800	1	TUBE PREFORMED
224		A174840	1	TUBE PREFORMED
225		A174850	1	TUBE PREFORMED
226		A174860	1	TUBE PREFORMED
227		A174860	1	TUBE PREFORMED
228		A175360	1	TUBE PREFORMED
229		A175360	1	TUBE PREFORMED
230		A175360	1	TUBE PREFORMED

Manitowoc Cranes

Description

BRAKE ASSEMBLY (COMPLETE)

Assembly No.

2721510

Revision:

Item	FN	Part	Qty	Description
1		9188220002	1	RING, INTERNAL SNAP
2		9069220010	1	BEARING, BALL (70x110x20)
3		9188220008	1	SHAFT, BRAKE
4		5960660	1	O-RING
5		9490220033	2	SEAL, OIL
6		9490220580	1	HOUSING, BRAKE
7		9490220117	7	DISK, BRONZE
8		9490220115	6	DISK, STEEL
9		9490220068	6	PLUG, DRAIN (1/4)
10		9490221492	6	WASHER
11		9490220021	4	PLUG
12		9754220004	2	O-RING (171.04 x 3.53)
13		9188220013	1	RING
14		9794220003	1	RING, PARBAK
15		9754220003	1	O RING
16		9794220002	1	RING, PARBAK
17		A033590	10	SPRING (D7.5x29.25)
18		A033580	12	SPRING (D14x28.14)
19		9754220005	1	O RING (3.53 x 190.09)
20		9188220003	1	RING, INTERNAL SNAP
21		9069220009	1	BEARING, BALL (60x95x11)
22		9188220005	2	RING, INTERNAL SNAP
23		9794220001	1	SEAL, OIL (60x85x10)
24		9754220007	1	O-RING
25		9188220014	1	SPACER
26		9188220047	1	PLUG, DRAIN (MAGNETIC)
27		9490220057	8	BOLT, ALLEN

Manitowoc Cranes

Description

MOTOR HYD PISTON VARIABLE

Assembly No.

A171460

Revision: **B**

Item	FN	Part	Qty	Description
1		9722220095	2	PLUG INCLUDES THE FOLLOWING PARTS
		9722220014	1	O-RING
2		9722220014	2	O-RING
3		9632220059	1	O-RING
4		9632220032	2	O-RING
5		9632220005	5	PLUG
6		9632220035	9	O-RING
7		9632220004	7	PLUG
8	*	9632220036	7	O-RING
9		9632220208	2	PLUG
10		9632220109	1	O-RING
11		9632220044	2	PLUG
12		9632220045	1	O-RING
13		9632220684	1	GASKET, END CAP
14		9632220042	1	O-RING
15		9632220048	1	SEAT, SPRING
16		9632220049	1	SEAT, SPRING
17	*	9632220662	1	SEAL, LIP
18	*	9632220110	1	O-RING
19		9632220689	1	KIT, CONTROL (L2)
20	+	9632220674	1	VALVE, SOLENOID (24V)
21		9722220239	1	PLUG
22	*	5364555	1	KIT, SHAFT SEAL
23		9632220062	1	CAP, TAMPER PROOF (GREEN)
24		5499540	3	ORIFICE
25		9632220005	1	PLUG
26		9632220286	1	KIT, CHARGE PRESSURE RELIEF
27		7031235	1	O-RING

* REPAIR KIT AND/OR PART OF KIT

+ SEE FURTHER BREAKDOWN THIS GROUP

Manitowoc Cranes

Description

BRAKE STACK & SEAL KIT

Assembly No.

9527200052

Revision:

Item	FN	Part	Qty	Description
1		9490220115	9	DISK, STEEL
2		9188220012	1	PISTON, BRAKE
3		9188220013	1	RING
4		A033580	16	SPRING (D14x28.14)
5		A033590	4	SPRING (D7.5x29.25)
6		9490220117	10	DISK, BRONZE

Manitowoc Cranes

<u>Description</u> DRIVE PLANETARY				Assembly No. A165450 Revision: E
Item	FN	Part	Qty	Description
1		9490220769	1	BOTTOM
2		9490220556	1	KIT, SHIM
3		9490220115	9	DISK, STEEL
4		9188220013	1	RING
5		A033590	4	SPRING (D7.5x29.25)
6		9490220117	10	DISK, BRONZE
7		9490220166	8	WASHER
8		9490220486	4	GEAR, 3RD STAGE PLANET
9		9490220467	1	RING, RETAINING (EXTERNAL)
10		9794220002	1	RING, PARBAK
11		9794220003	1	RING, PARBAK
12		9754220003	1	O RING
13		9754220004	2	O-RING (171.04 x 3.53)
14		9490220566	1	O-RING
15		9490220567	1	O-RING
17		9490220568	1	O-RING
18		9490220569	1	SEAL
19		9490220571	2	BEARING, TAPER ROLLER
20		9490220574	4	WASHER, BONDED
21		9490220169	620	NEEDLE (7x20A)
22		9490220010	1	KIT, SHIM
23		9490220056	3	PIN, ELASTIC
24		9576101141	6	PLUG
25		A194200	1	PLUG, BREATHER
26		9527200046	2	WASHER, COPPER (33,5X40X1,5)
27		9490220577	1	PLUG, MAGNETIC (1")
28		A078940	1	GAUGE, SIGHT
29		9490220192	16	BOLT (M10x30 UNI 5931 8G)
30		9490220051	1	PLATE, SUN GEAR STOP
31		9490220152	3	GEAR, PLANET (R.3,875)
32		9490220153	3	PIN (FOR NEEDLE D.6)
33		9490220040	6	WASHER, ANTI ROTATION
34		9576101226	3	RING, RETAINER
35		9576101119	225	BEARING,NEEDLE
36		9576101127	150	BEARING,NEEDLE
37	+	9527200061	1	KIT, GEARBOX SEAL
38	+	9527200052	1	BRAKE STACK & SEAL KIT

+ SEE FURTHER BREAKDOWN THIS GROUP

Manitowoc Cranes

Description
DRIVE SWING ASSY

Assembly No.
A15894
Revision: E

Item	FN	Part	Qty	Description
1		1793152	1	COVER GEAR
3		1956542	1	BOLT
4		3454760	1	CLAMP WORM DRIVE, 0.44 - 1.00
5		3550040	1	STEAM COCK, STEAM SQ HD 1/2 N
6		4295740	1	FITTING, BARBED INSERT IE KF0
7		4296100	1	FITTING
8		4858450	2	HOSE PER FOOT, PLASTIC 1/2ID
9		6124580	3	SCREW, HEX CAP
10		6144250	1	HHCS
11		6146240	4	HHCS FULL THREAD
12		7097030	3	WASHER, FLAT SHIM
13		7103040	3	L WASHER
14		A103260	4	F WASHER
15	+	A165400	1	DRIVE PLANETARY
16	+	A165770	1	MOTOR HYD PISTON FIXED
17		810113060	3	WASHER, RETAINING

+ SEE FURTHER BREAKDOWN THIS GROUP

Manitowoc Cranes

Description
LEVER

Assembly No.
1957674
Revision: FA

Item	FN	Part	Qty	Description
2		2898270	2	BUSHING
3		2898290	1	BUSHING

Manitowoc Cranes

Description
PIPING HYD ASSY W/DRUM #3

Assembly No.
A166112
Revision: D

Item	FN	Part	Qty	Description
100	+	A025420	1	VALVE DIRECTIONAL CONTROL

+ SEE FURTHER BREAKDOWN THIS GROUP

Manitowoc Cranes

Notes

Manitowoc Cranes

Description

VALVE, DOUBLE COUNTERBALANCE

Assembly No.

A042970

Revision: A

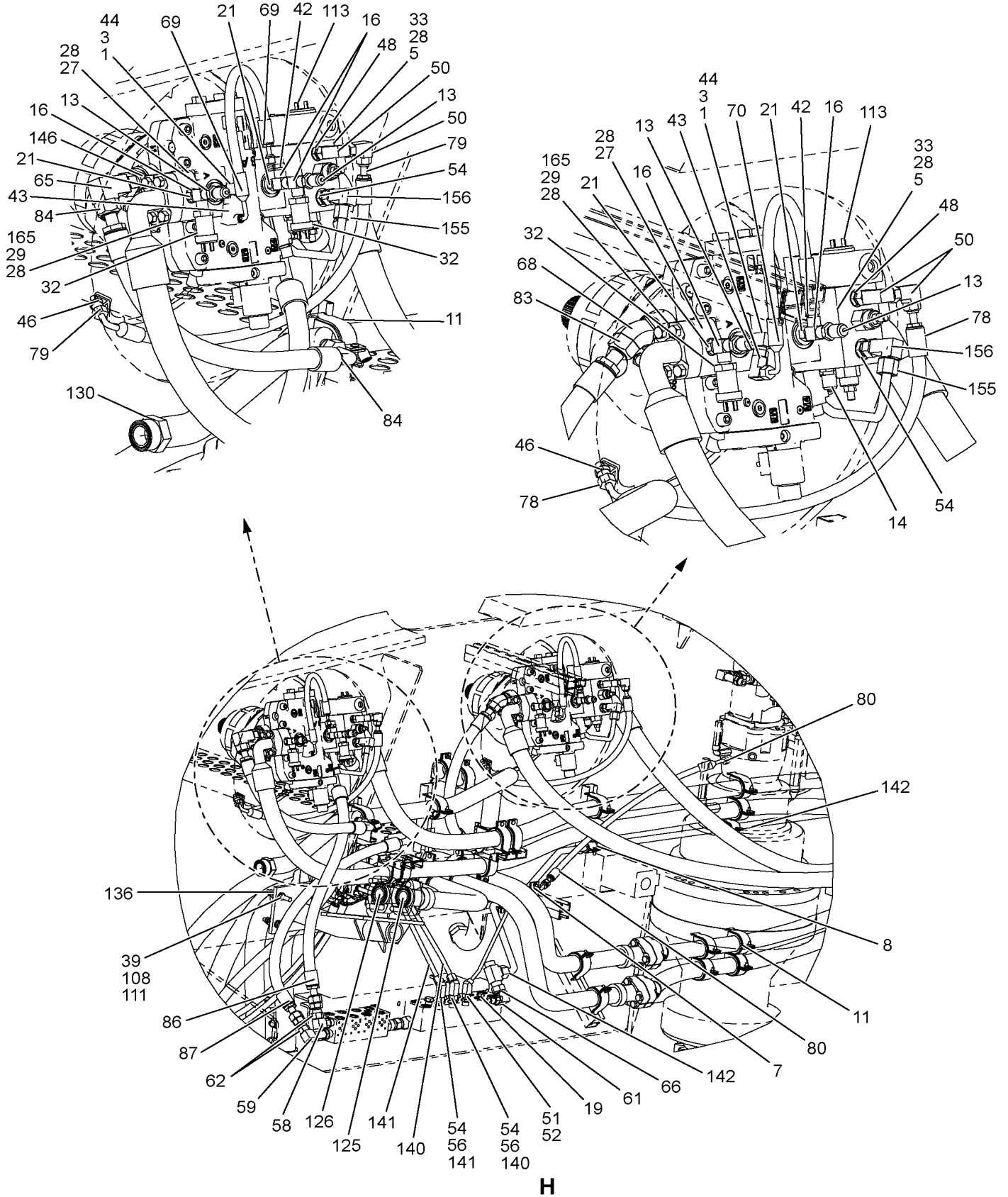
Item	FN	Part	Qty	Description
1		7041134	2	CARTRIDGE
2		9926107803	2	KIT, SEAL

Manitowoc Cranes

Description PIPING HYD ASSY PWR PLANT RETU				Assembly No. A16555 Revision: W
Item	FN	Part	Qty	Description
1		1735042	1	PREFORMED TUBE
2		3456750	5	CLAMP TUBE
3		3456870	1	CLAMP, TUBE
4	+	3754390	1	COUPLER
5	+	3754400	1	NIPPLE ASSEMBLY
6		3754410	1	DUST CAP
7		3754420	1	DUST CAP
8		4296630	1	FITTING CAP
10		7566504100	1	HOSE CODED
11		5460560	3	NUT, HEX
12		6125550	3	SCREW, HEX CAP
13		7103060	3	WASHER, LOCK
14		7447061201	2	ADAPTER, STRAIGHT INCLUDES THE FOLLOWING PARTS
		7755012002	1	O-RING
		7755912002	1	O-RING
15		7447161201	1	ADAPTER, STRAIGHT INCLUDES THE FOLLOWING PARTS
		7755021002	1	O-RING
		7755912002	1	O-RING
16		7447161203	3	ELBOW, 90 DEGREE INCLUDES THE FOLLOWING PARTS
		7755021002	1	O-RING
		7755912002	1	O-RING
17		7447201203	2	ELBOW, 90 DEGREE INCLUDES THE FOLLOWING PARTS
		7755025002	1	O-RING
		7755912002	1	O-RING
18		7447201613	2	REDUCER
19		7447201651	2	FITTING
20		7555203012	1	HOSE ASSY CODED
21		7555203012	1	HOSE ASSY CODED
22		7555601911	1	TUBE
23		7555602411	1	HOSE ASSY 1.00 ID X 24 LG
24		7555702812	1	HOSE ASSY 1-11/16-12X1-1/4 ID
25		7555702812	1	HOSE ASSY 1-11/16-12X1-1/4 ID
26		7555704311	1	HOSE ASSEMBLY 1 1/4" X 43"
27		7555704211	1	HOSE FLEX
30		7566500600	1	HOSE
31		7566501000	1	HOSE CODED
32		7566601400	1	HOSE ASSY CODED
34		A080600	6	CLAMP, SPRING LIGHT DUTY
35		A085820	2	CLAMP SPRING LIGHT DUTY

+ SEE FURTHER BREAKDOWN THIS GROUP

Manitowoc Cranes



Manitowoc Cranes

Description
MANIFOLD ASSY

Assembly No.
A195549
Revision: **E**

Item	FN	Part	Qty	Description
1		A196080	1	ORIFICE
2		1954222	1	BLOCK
3		3759540	2	Q DISCON FITTING
4		5717200	1	PLUG
5		810184240	2	TRANSDUCER PRESSURE

Manitowoc Cranes

Description
PIPING HYDR ASSY

Assembly No.
A164752
Revision: **AG**

Item	FN	Part	Qty	Description
300	+	A18525	1	HYD LINES INSTL ROT BED TO BOO

+ SEE FURTHER BREAKDOWN THIS GROUP

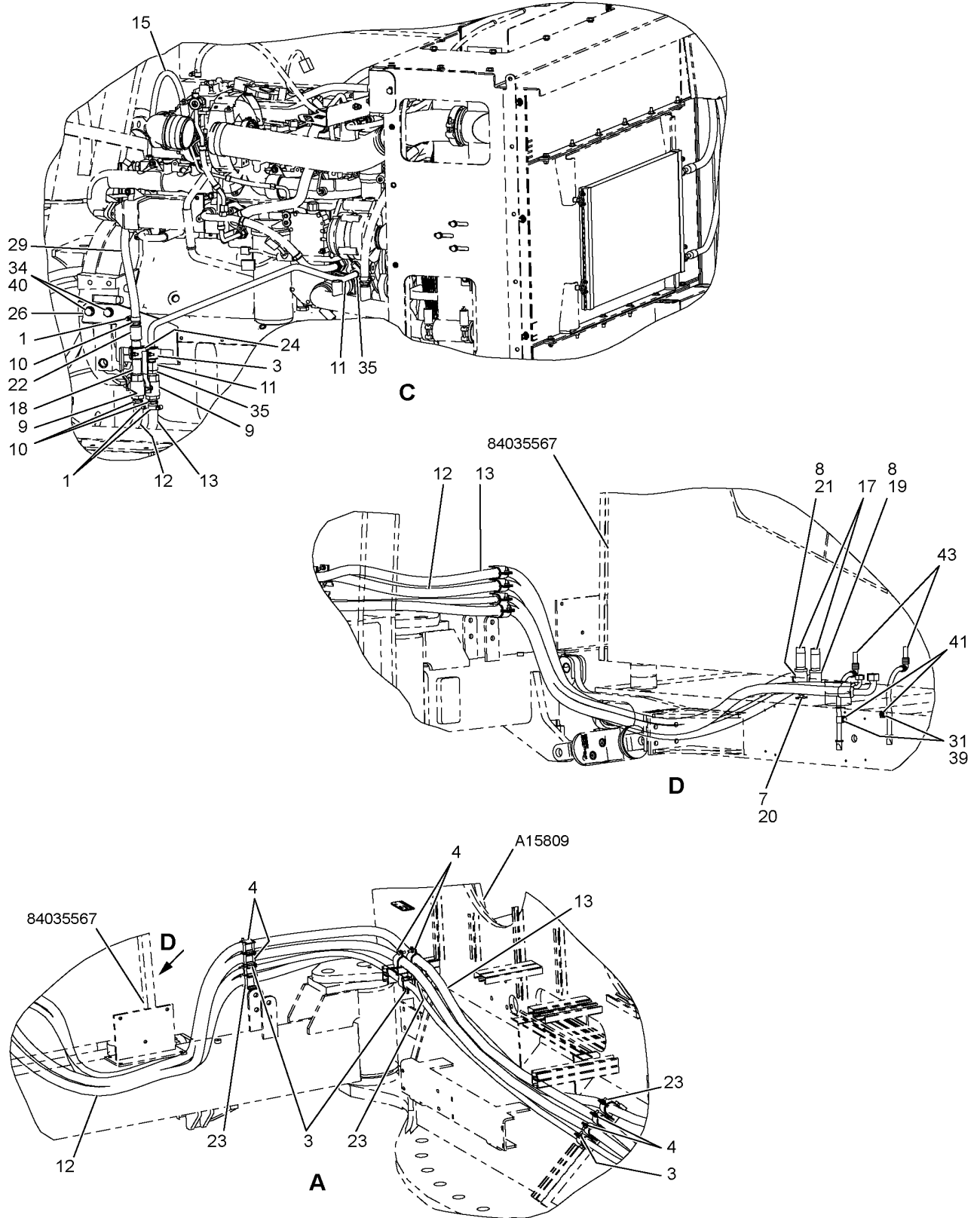
Manitowoc Cranes

Description
COUPLING, QUICK DISCONNECT

Assembly No.
3759510
Revision: FA

Item	FN	Part	Qty	Description
1		3759515	1	SEAL KIT

Manitowoc Cranes



Manitowoc Cranes

Description
HEATER 240V HYDRAULIC TANK

Assembly No.
810114943
Revision: C

Item	FN	Part	Qty	Description
35 201	+	810291560 80111687	1 1	GASKET HEATER HEATER HYDRAULIC TANK

+ SEE FURTHER BREAKDOWN THIS GROUP

Manitowoc Cranes

Description

CONTROLLER, JOYSTICK

Assembly No.

A024680

Revision: B

Item	FN	Part	Qty	Description
1		90016068	1	BOOT, BOTTOM

Manitowoc Cranes

Description

LIMIT SWITCH ASSY FOR #76 BOOM

Assembly No.

A174331

Revision: **D**

Item	FN	Part	Qty	Description
1		A188472	1	ROD
2		0788922	1	ADJ ROD
3	+	810102319	1	SWITCH ASSY BOOM STOP
4		5467680	1	HEX JAM NUT

+ SEE FURTHER BREAKDOWN THIS GROUP

Manitowoc Cranes

<u>Description</u> CONSOLE RH ASSY VISION CAB				Assembly No. 84035570 Revision: D
Item	FN	Part	Qty	Description
2		A024809	1	CONSOLE RIGHT HAND
3		84036019	1	CONSOLE FRONT RT HAND MOLDED
4		3503380	1	CLOSURE
5		810091060	1	BUSHING
6		A030310	2	PHIL TMS
7		A030320	6	SCREW TC PAN HEAD PHILLIPS
8		A097270	4	PHIL PMS
9		5460750	19	HEX NUT
10		5460500	11	NUT, HEX
11		A006650	2	DISPLAY
12		A026382	2	BRACKET
13	+	810087540	1	CONTROLLER, JOYSTICK
14	+	810087550	1	CONTROLLER, JOYSTICK
15	+	A024670	2	CONTROLLER, JOYSTICK
16		A124220	2	BUSHING
18		A124622	1	BRACKET
19		A027330	6	INSERT, THREADED
20		6184170	31	PHIL TMS 8-32UNC X 0.50 GR 1
21		6184030	2	PHIL TMS
22		7103190	10	WASHER, LOCK MEDIUM
23		A192912	1	PANEL ELEC
24		A026392	1	BRACKET
26	+	A122609	1	ELECTRIC CONTROL ASSY
28		A025160	1	DISPLAY
29		A095860	1	SWITCH ASSY DISPLAY CONTROL PA
30		A025180	1	LENS DISPLAY
31		A025190	10	LAMP
33		5468370	2	NUT, HEX HEAVY
34		810247150	2	RELAY 24V 10A
35		3503390	1	CLOSURE
36		4460100	8	END FRAME
37		4460110	8	CENTER FRAME
38		3785140	7	COVER, BLANK
40		6726290	8	SWITCH, ROCKER
41		6727050	1	SWITCH, ROCKER
42		6727170	1	SWITCH
43		5052090	5	LENS-PARKING BRK
44		5052360	1	LENS SYMBOL
45		5052170	1	LENS SYMBOL INSTR LIGHTING

+ SEE FURTHER BREAKDOWN THIS GROUP

Manitowoc Cranes

Description ELECTRIC CONTROL ASSY				Assembly No. A122609 Revision: FA
Item	FN	Part	Qty	Description
1		A163420	1	CONTROLLER MASTER NODE
2		A008029	1	TERMINAL
3		A025850	1	TERMINAL
4		6926560	2	TRIM
5		6926560	1	TRIM
6		A033190	2	BREAKER CIRCUIT
7		A037820	1	BREAKER CIRCUIT
8		A055840	1	CONTROLLER SIDE CONSOLE NODE
9		A033170	1	BREAKER CIRCUIT
10		A122612	1	PLATE MOUNTING
11		810127222	1	BRACKET
12		A122632	1	BRACKET
13		A122642	1	BRACKET
14		4526850	4	FUSE
15		4930550	1	INSULATOR
17		2361430	1	FUSE BLOCK
18		6184170	19	PHIL TMS 8-32UNC X 0.50 GR 1
19		7126111253	2	HHCS M4x25 -8.8 ISO 4017
20		6177450	4	SLOT RMS
21		6806880	8	TERMINAL
23		7103000	4	L WASHER MEDIUM
24		7103190	15	WASHER, LOCK MEDIUM
25		A183320	4	WASHER, LOCK COUNTERSUNK
26		7113400	2	WASHER
27		7661110003	2	HEX NUT M4-8 ISO 4032
28		7951110210	2	LOCKWASHER, 4MM I.D.

Manitowoc Cranes

Description

CONSOLE CONTROL W/O FREEFALL-T

Assembly No.

840355691

Revision: **A**

Item	FN	Part	Qty	Description
100		1765672	1	PLATE FLOOR
101		810261500	6	PHIL TMS

Manitowoc Cranes

Description

ELEC CONTROL ASSY W/CAB TILT

Assembly No.

810165085

Revision: **D**

Item	FN	Part	Qty	Description
250		810165330	1	CABLE ELEC

Manitowoc Cranes

Description BOX JUNCTION ASSY				Assembly No. 810241640 Revision: B
Item	FN	Part	Qty	Description
1		2361430	1	FUSE BLOCK
2		5725230	2	PLUG SEALING
3		6806880	8	TERMINAL
4		6807150	10	TERMINAL, SLIP-ON NON-INSUL W/
5		6808230	2	TERMINAL
6		6808260	10	TERMINAL FEMALE
7		810008490	1	TERMINAL
8		810185870	11	PHIL RMS, 10-32 X 0.50 SS
9		4526850	1	FUSE
10		4526860	2	FUSE 15 AMP
11		810247150	5	RELAY 24V 10A
12		810247160	1	DECAL AFTERTREATMENT LC
13		810247170	1	JUNCTION BOX HOLE LAYOUT AFTER
14		810247180	1	PANEL ELEC AFTERTREATMENT JUNC
15		810248380	1	DECAL AFTERTREATMENT JUNCT
16	#	7826000109	5	SOCKET, RELAY
17		7950100053	11	L WASHER **USE 7103010**
18		A006730	12	TERMINAL
19		A178030	1	RECEPTACLE 14 PIN
20		5469670	1	NUT PANEL
21		7114320	1	WASHER
50		810151500	1	CABLE WIRE XLPE 16AWG TXL BLAC PART NOT SHOWN
51		810151510	1	CABLE WIRE XLPE 16AWG TXL RED PART NOT SHOWN

SERVICED AS AN ASSEMBLY ONLY

Manitowoc Cranes

Description

COLD WEATHER KIT -30F EXT 240V

Assembly No.

81016541

Revision: C

Item	FN	Part	Qty	Description
1		1774512	1	GUARD
4		2681400	1	BOX, JUNCTION
5		2681610	3	BOX, JUNCTION
6		2752290	1	BREAKER CIRCUIT
7		2752330	3	BREAKER CIRCUIT
8		2902230	1	BUSHING
9		2971010	7	CABLE
10		2971020	7	CABLE
11		2971030	14	CABLE
12		3456860	1	CLAMP TUBE
13		3632460	5	CONDUIT
14		3640590	1	CONNECTOR CONDUIT
15		3640650	1	CONNECTOR CONDUIT
16		3641580	4	CONNECTOR, ELECTRICAL FLEXIBLE
17		3642160	1	CONNECTOR
18		3718410	16	CABLE ELECTRIC
19		3718410	17	CABLE ELECTRIC
22		3718410	23	CABLE ELECTRIC
23		3718410	17	CABLE ELECTRIC
24		3787700	1	COVER
25		3787710	1	COVER
26		4567670	2	GASKET ASSEMBLY, CONDUIT
27		4567690	2	RING
28		4717160	8	CORD, GRIP
29		810037660	2	BATTERY
30		4800860	1	HEATER
31		4930540	1	INSULATOR
32		5397480	8	NAMEPLATE
34		5460520	17	NUT, HEX
35		5464370	11	CONNECTOR
36		5470540	2	HEX NUT
37		5485550	8	NUT, LOCK CONDUIT
38		5485580	2	NUT
40		5562900	1	PANEL LOAD
41		5723420	1	PLUG
42		6052270	1	RUBBER
43		6123510	15	SCREW, HEX CAP
44		6123520	8	SCREW, HEX CAP
45		6164040	2	SLOT RMS

Manitowoc Cranes

Description
500 HR SERVICE KIT

Assembly No.
90026678
Revision: **A**

Item	FN	Part	Qty	Description
1		90026681	1	FILTER, FUEL/WATER SEPARATOR
2		90024700	1	FILTER, FUEL 7-1/8" LG
3		4136240	1	ENGINE WATER FILTER
4		A104130	1	ELEMENT, FILTER

Manitowoc Cranes

Description

POWER PLANT ASSY QSL9T4F ENG/P

Assembly No.

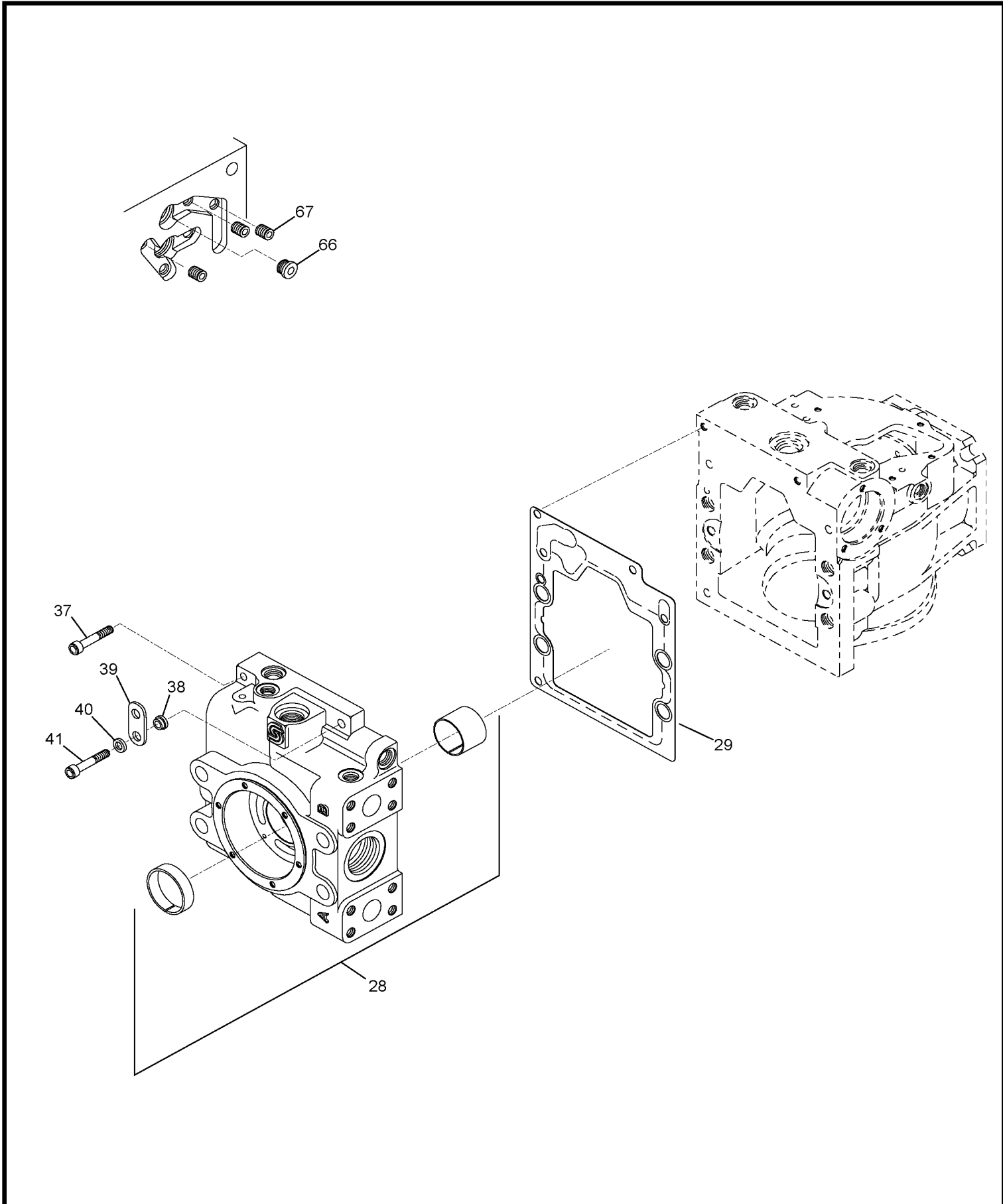
81021781

Revision: **A**

Item	FN	Part	Qty	Description
1		3456740	1	CLAMP TUBE
2		5483450	2	NUT, HEX LOCK
3		6138620	2	HHCS
4		7114290	2	F WASHER
5	+	81012702	1	DRIVE PUMP ASSY
6	+	81013091	1	CLUTCH RELEASE ASSY
7		810168202	1	BRACKET
8		810193350	1	ENGINE
9		810203120	1	PUMP HYDR PISTON VARIABLE
10		7126171353	1	HHCS M8X30 8.8 ISO 4017
11		7126212353	2	HHCS M12x80 -8.8 ISO 4017
12		7127272553	2	HHCS FULL THREAD
13		7661170804	1	HEX LOCK NUT PA
14		7661270004	2	NUT
15		7951170014	2	F WASHER 8 -ST ISO 7089
16		7951270014	2	F WASHER
17		7951270210	2	L WASHER 20 FLZN DIN7980
18		A015990	1	RETAINER, P-CLIP
19		A023100	4	F WASHER SHIM
20	+	A097352	1	CLUTCH ASSY
21		A117070	2	MOUNT VIBRATION ISOLATOR
22		A166242	1	SUPPORT

+ SEE FURTHER BREAKDOWN THIS GROUP

Manitowoc Cranes



Manitowoc Cranes

Description

VARIABLE SWASH PLATE ASM

Assembly No.

9722220538

Revision:

Item	FN	Part	Qty	Description
1		9722220539	1	SERVO ARM ASSEMBLY
2		9722220540	1	SWASHPLATE, VARIABLE
3		9722220330	1	SCREW
4		9722220284	1	GUIDE, SWASHPLATE
5		9722220541	1	SCREW
6		9722220212	1	WASHER
7		9722220286	1	PIN, SPIROL
8		9722220447	1	LINK, FEEDBACK

Manitowoc Cranes

Description
KIT, VALVE

Assembly No.
7041720
Revision:

Item	FN	Part	Qty	Description
1	*	7031225	1	KIT, MULTIFUNCTION VALVE SEAL
2	*	5969530	1	O-RING
3	*	9722220130	1	O-RING

* REPAIR KIT AND/OR PART OF KIT

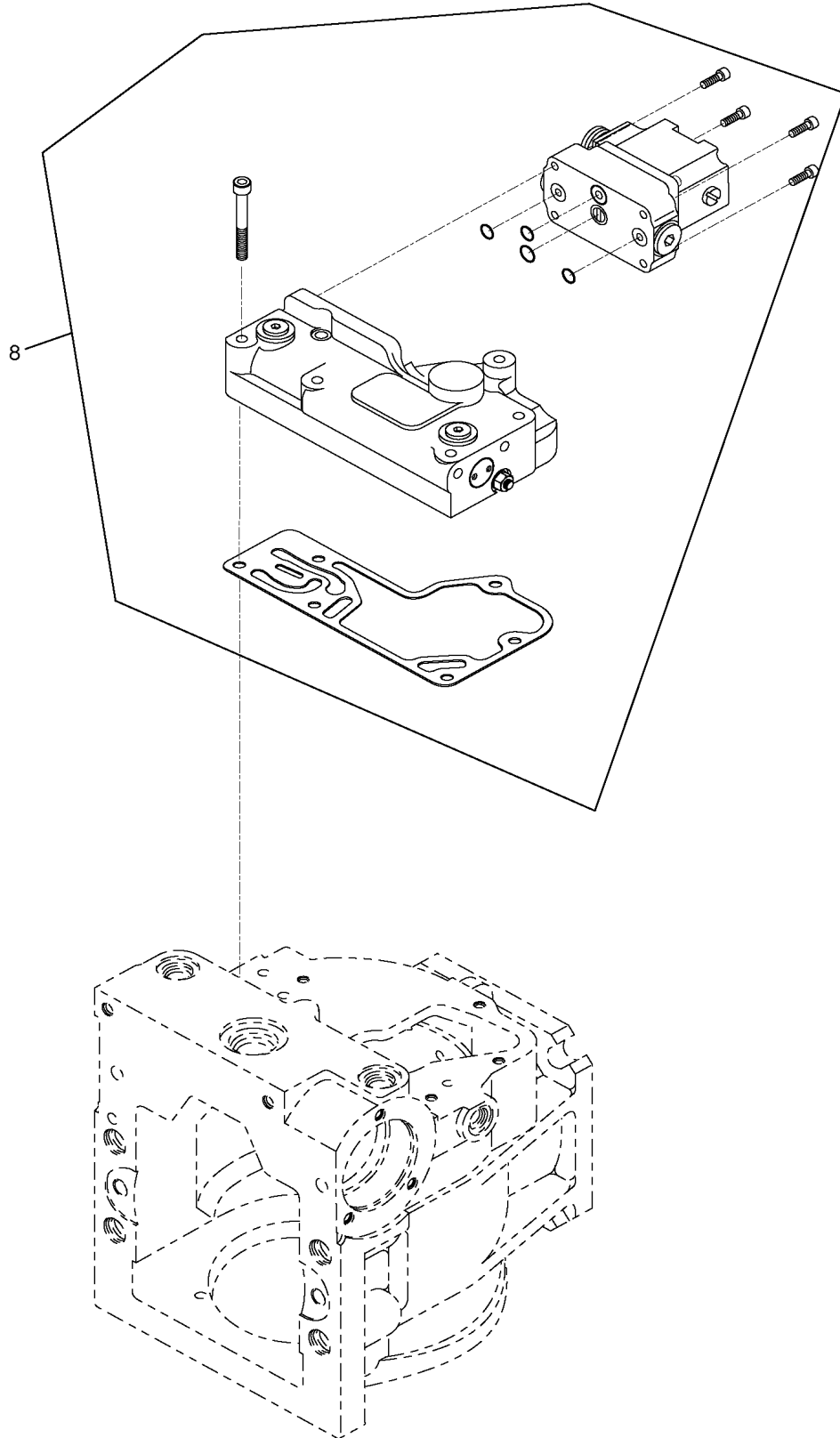
Manitowoc Cranes

Description
KIT, OVERHAUL SEAL

Assembly No.
9722220399
Revision:

Item	FN	Part	Qty	Description
1		9722220295	2	NUT
2		9722220547	1	O-RING
3		9722220297	6	SCREW
4		9722220389	1	O-RING
5		9722220390	1	O-RING
6		9722220389	1	O-RING
7		9722220390	1	O-RING
8		9722220551	2	O-RING
9		9722220552	2	RING, PISTON
10		9722220556	1	GASKET, END CAP
11		A081340	1	O-RING
12		7031235	1	O-RING
13		9722220033	1	SEAL, LIP
14		9722220395	1	O-RING
15		9722220583	1	GASKET, CONTROL
16		9722220261	3	O-RING
17		9722220560	1	O-RING
18		9632220023	1	O-RING
19		5969530	1	O-RING
20		9722220130	1	O-RING
21		5969530	1	O-RING
22		9722220130	1	O-RING
23		9722220324	4	SCREW

Manitowoc Cranes



Manitowoc Cranes

Description
KIT, VALVE

Assembly No.
7041720
Revision:

Item	FN	Part	Qty	Description
1	*	7031225	1	KIT, MULTIFUNCTION VALVE SEAL
2	*	5969530	1	O-RING
3	*	9722220130	1	O-RING

* REPAIR KIT AND/OR PART OF KIT

Manitowoc Cranes

Description
DIPSTICK OIL ASSY

Assembly No.
A188811
Revision: H

Item	FN	Part	Qty	Description
1		3042240	1	CAP, PIPE
3		3771470	1	COUPLING REDUCING PIPE
4		4067020	1	ELBOW PIPE 45 DEG
5		4299980	1	FITTING
6		5435210	1	NIPPLE PIPE
7		5437480	1	NIPPLE PIPE
8		5434050	2	NIPPLE PIPE
9		6126590	1	HHCS
10		6793040	1	TEE PIPE
11		7103070	1	WASHER, LOCK
13		A131440	1	FITTING ADAPTER SPECIAL
14		A192430	1	DIPSTICK OIL
15		A192610	1	RETAINER
16		810000762	1	BRACKET
17		7126211253	1	HHCS M12X25 8.8 FLZN ISO 4017
18		7661210003	1	NUT, HEX 12MM N.C.
19		7951210210	1	LOCK WASHER, 12MM I.D.
20		810016992	1	BRACKET
21		7126171353	1	HHCS M8X30 8.8 ISO 4017
23		A015990	1	RETAINER, P-CLIP
24		7951170014	2	F WASHER 8 -ST ISO 7089
25		7661170804	1	HEX LOCK NUT PA

Manitowoc Cranes

Description

POWER PLANT ASSY W/O FREEFALL

Assembly No.

810217811

Revision: **A**

Item	FN	Part	Qty	Description
100		810203332	1	BRACKET
101		7127191053	3	CAP SCREW, M10X16 HEX HEAD
102		7951190210	3	LOCK WASHER, 10MM

CLICK HERE TO **DOWNLOAD** THE COMPLETE MANUAL

- Thank you very much for reading the preview of the manual.
- You can download the complete manual from: www.heydownloads.com by clicking the link below



- Please note: If there is no response to CLICKING the link, please download this PDF first and then click on it.

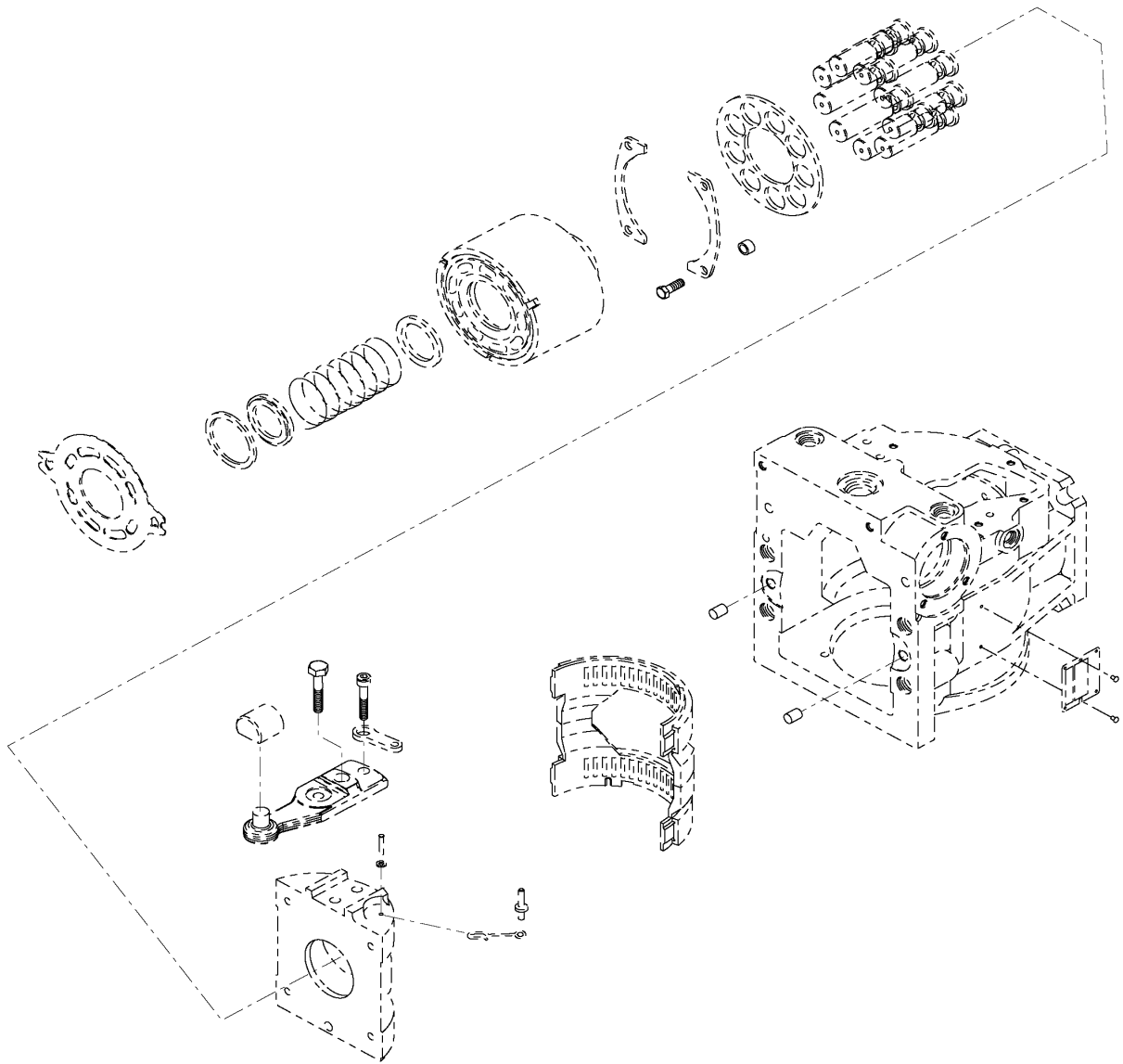
CLICK HERE TO **DOWNLOAD** THE COMPLETE MANUAL

Manitowoc Cranes

Description PUMP HYDR PISTON VARIABLE				Assembly No. A165760 Revision: A
Item	FN	Part	Qty	Description
1		9632220005	7	PLUG
2		9722220095	1	PLUG
		9722220014	1	INCLUDES THE FOLLOWING PARTS O-RING
3		9722221339	1	SWASHPLATE ASSEMBLY
4		9722220295	2	NUT
5		9722220296	1	O-RING
6		9722220297	6	SCREW
7		9722220095	1	PLUG
		9722220014	1	INCLUDES THE FOLLOWING PARTS O-RING
8		5827606	2	KIT, SERVO CYLINDER
9		9722220097	1	O-RING
10		9722220098	1	O-RING
11		9722220031	3	SCREW
12		9722220300	1	KIT, SERVO PISTON
13		9722220301	2	O-RING
14		9722220302	2	RING, PISTON
15		9722220305	1	BEARING, JOURNAL
16		A050510	1	GASKET, END CAP
17		9722220020	1	SHAFT, CHARGE PUMP
18		9722220102	1	KEY
19		9722220105	1	FLANGE, AUX MTG (SAE C)
20		90024557	1	COUPLING
21		9258220004	1	ASSEMBLY, COVER INCLUDES ITEM 48
22		9722221347	1	ADAPTER, FLANGE
23		9722220110	4	SCREW
24		9754220009	1	O-RING
25		9722220111	1	COVER, FLANGE
26		7031230	1	KIT, CHARGE RELIEF VALVE
27		7031235	1	O-RING
28		9722220312	1	BEARING, ROLLER
29		5834415	1	SHAFT SEAL ASSEMBLY PART NOT SHOWN INCLUDES ITEMS 49 & 50
30		9722220122	3	SCREW
31	+	7041700	1	KIT, EDC
32		9722220128	1	PLUG
33		9632220023	1	O-RING
34		9632220035	1	O-RING

+ SEE FURTHER BREAKDOWN THIS GROUP

Manitowoc Cranes



Manitowoc Cranes

Description PIPING FUEL ASSY T4				Assembly No. 81023736 Revision: C
Item	FN	Part	Qty	Description
1		3455110	3	CLAMP TUBE, 0.75 DIA
2		3455150	2	CLAMP, TUBE
3		3456840	3	CLAMP, TUBE
4		3490070	1	CLIP
5		7019170	4	VALVE
6		810118810	2	GROMMET
7		810127070	2	FITTING ADAPTER STRAIGHT
8		810237372	1	BRACKET
9		7126171353	1	HHCS M8X30 8.8 ISO 4017
10		7126211153	2	HHCS
11		7126211553	2	HHCS M12X40 8.8 FLZN ISO 4017
12		7126241553	2	CAP SCREW, M16 X 40MM LONG
13		7447080801	1	ADAPTER, STRAIGHT INCLUDES THE FOLLOWING PARTS
		7755014002	1	O-RING
		7755908002	1	O-RING
14		7447080828	2	ADAPTER, STRAIGHT INCLUDES THE FOLLOWING PARTS
		7755014002	1	O-RING
15		7447081228	1	ADAPTER, STRAIGHT INCLUDES THE FOLLOWING PARTS
		7755014002	1	O-RING
		7755912002	1	O-RING
16		7447121003	2	ELBOW, 90 DEGREE INCLUDES THE FOLLOWING PARTS
		7755018002	1	O-RING
		7755910002	1	O-RING
17		7447121008	1	ELBOW, 45 DEGREE INCLUDES THE FOLLOWING PARTS
		7755018002	1	O-RING
		7755910002	1	O-RING
18		7447121228	2	ADAPTER, STRAIGHT INCLUDES THE FOLLOWING PARTS
		7755018002	1	O-RING
		7755912002	1	O-RING
19		7447121230	1	ELBOW, 90 DEGREE INCLUDES THE FOLLOWING PARTS
		7755018002	1	O-RING
20		7567400066	1	HOSE-1/2"ID FUEL STR-STR
21		7567402132	1	HOSE ASSY CODED
22		7567600042	1	HOSE ASSY CODED
23		7567600120	1	HOSE ASSY CODED
24		7661170803	1	NUT NYLOC M8
25		7661190804	4	HEX LOCK NUT M10
26		7951240014	2	FLATWASHER 16MM I.D.

Manitowoc Cranes

Description

EXHAUST ASSY 340HP QSL T4F

Assembly No.

81020357

Revision: D

Item	FN	Part	Qty	Description
1		80016509	1	GASKET-DPF
2		80018081	4	MOUNTING BAND
3		80020080	3	GASKET-DECOMP PIPE
4		80020082	3	V-BAND CLAMP
5		810131852	1	BRACKET
6		810132150	1	CLAMP
7		810203580	1	TUBE PREFORMED
8		810203590	1	TUBE PREFORMED
9		810223090	33	SQ NUT
10		810223242	1	BRACKET
11		810223252	1	BRACKET
12		810223262	1	PLATE
13		810223272	1	BRACKET
14		810223282	1	COVER
15		810223292	1	BRACKET
16		810223302	1	BRACKET
17		81022524	1	FILTER ASSY
18		81022525	1	FILTER ASSY
19		81022526	1	TUBE PREFORMED
20		81022527	1	CLAMP
21		81022528	1	TUBE PREFORMED
22		7126191353	20	HHCS M10X30 8.8 FLZN ISO 4017
23		7126191357	31	SCREW, HEX FLANGE
24		7661190803	20	HEX LOCK NUT M10 -8 ISO 7040
25		7951190014	50	F WASHER 10
26		810117600	1	CLAMP
27		80020081	1	V-BAND CLAMP, SPHERICAL MARMAN
28		81020361	1	GASKET
29		81020363	1	ELBOW EXHAUST
30		810241732	1	BRACKET
31		810250150	1	CHANNEL ANCHOR CLAMP
32		7128191254	2	SCREW, SOCKET HEAD
33		810301992	1	INSULATION

Manitowoc Cranes

Description
PANEL ENCL ASSY

Assembly No.
810118482
Revision: **B**

Item	FN	Part	Qty	Description
1		810106180	15	INSERT, THREADED
2		81016785	5	STRIP RUBBER 0.50X0.25 SILICON
3		81011830	1	BRACKET

Manitowoc Cranes

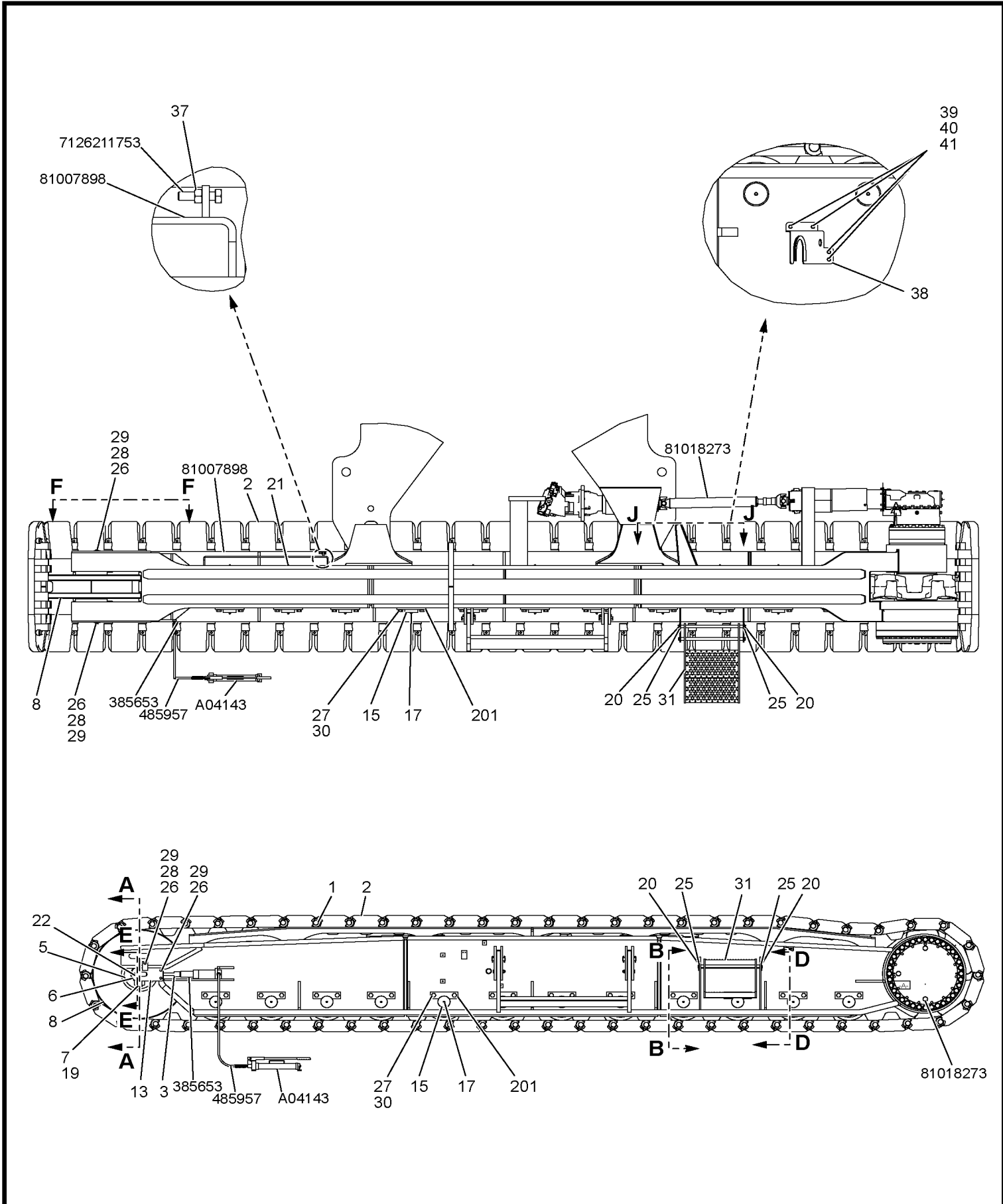
Description
ROTARY GROUP

Assembly No.
90022144
Revision: **B**

Item	FN	Part	Qty	Description
1		90022145	1	PLATE, CONTROL
2	+	90022146	1	ROTARY GROUP HYDRAULIC SECTION

+ SEE FURTHER BREAKDOWN THIS GROUP

Manitowoc Cranes



A15907E

(SHEET 2 OF 4)

Page 549

Manitowoc Cranes

Description
GEARBOX PLANETARY

Assembly No.
810073500
Revision: **B**

Item	FN	Part	Qty	Description
1	*	9490221475	1	OUTPUT ASSEMBLY PART NOT SHOWN
2	+	90014582	1	EPICYCLE PART NOT SHOWN
3	@	9490221482	1	CONNECTION COVER PART NOT SHOWN
4	+	9490221483	1	EPICYCLE PART NOT SHOWN
5	+	9490221325	1	RIGHT ANGLE GEAR PART NOT SHOWN
6		9490220056	6	PIN, ELASTIC
7		9490220070	1	PLUG, BREATHER (1/2" GAS)
8		9490220373	1	PLUG, MAGNETIC
9		9490220193	2	BOLT (M14x140 UNI 5931-8G)
10	+	9576220109	1	KIT, SEAL PART NOT SHOWN
11	*	9794220033	2	SEAL, OIL
12	*	9490221478	1	O-RING
13	*	9754220055	2	O-RING
14	@	9490220483	1	HOUSING, CONNECTION
15	@	9490220262	1	O-RING
16	@	9754220055	1	O-RING
17	@	9490220031	2	PLUG, DIN908 1/2G NA41/B

* REPAIR KIT AND/OR PART OF KIT
@ SECOND REPAIR KIT AND/OR PART OF 2ND KIT

+ SEE FURTHER BREAKDOWN THIS GROUP

Manitowoc Cranes

Description
RIGHT ANGLE GEAR

Assembly No.
9490221325
Revision: B

Item	FN	Part	Qty	Description
1		9490220227	1	COVER, INPUT
2		9188220033	1	PLATE, LOCK
3		9188220034	1	FLANGE, DRIVE SHAFT
4		9490220228	2	COVER
5		9490220490	1	SHAFT, BEVEL SET
6		9490220539	1	BEVEL WHEEL & GEAR SET
7		9490220313	1	NUT, RING
8		9490220491	1	SPACER
9		9490220494	1	SEAL, OIL
10		9490220376	2	O-RING
11		9490220418	1	O-RING (3575)
12		9490221487	1	KEY
13		9576101335	1	BEARING
14		9490220315	2	BEARING
15		9490220496	1	BEARING, TAPER ROLLER
16		9490220316	1	KIT, SHIM
17		9490220498	1	KIT, SHIM
18		9490220377	1	KIT, SHIM
19		9490220031	5	PLUG, DIN908 1/2G NA41/B
20		9490220057	12	BOLT, ALLEN
21		9490220192	8	BOLT (M10x30 UNI 5931 8G)
22		9188220037	1	BOLT, HEX (M12X35)
23		9490220499	12	BOLT, SOC HD (M14X40)

Manitowoc Cranes

Description
PIN PULLER ASSY

Assembly No.
A159111
Revision: B

Item	FN	Part	Qty	Description
1		1781902	1	PLATE END
2		1954282	2	COLLAR
3		1954292	1	ROD CONNECTING
4		1954302	2	PIN 1 HOLE W/HD
5	+	3856470	1	CYLINDER
6		5460590	4	NUT, HEX
7		5636990	2	HITCH PIN
8		6127360	4	HHCS
9		7103080	4	WASHER, LOCK
10		7126271953	4	CAP SCREW, M20 X 60MM HEX HEAD
11		7951270210	4	L WASHER 20 FLZN DIN7980
12		A170832	1	GUIDE ASSY

+ SEE FURTHER BREAKDOWN THIS GROUP

Manitowoc Cranes

Description
DECAL KIT 14000 CARBODY JACKS

Assembly No.
80116303
Revision: **A**

Item	FN	Part	Qty	Description
125		176856	8	DECAL-WARNING-CRUSH HAZARD

Manitowoc Cranes

Description

GREASE ASSY TURNTABLE GRACO

Assembly No.

80119239

Revision: **A**

Item	FN	Part	Qty	Description
1		7126151853	2	HHCS FULL THREAD
2		7126171353	3	HHCS M8X30 8.8 ISO 4017
3		7661150803	11	NUT NYLOC
4		7951150210	2	LOCKWASHER, 6MM I.D.
5		7951170014	3	F WASHER 8 -ST ISO 7089
6		80104433	9	CLAMP .312 DIA
7	*	80118719	1	PUMP GREASE 4L 24VDC 2.5A INCLUDES THE FOLLOWING PARTS
	*	80125036	1	CABLE ELEC GRACO AUTOLUBE
8	*	80118720	1	VALVE PRESSURE RELIEF PSI
9	*	80118725	0	HOSE 0.125 ID (200 FT ROLL) 45 FT. REQUIRED (REF 80126773)
10	*	80118992	1	TEE 1/8 NPT RUN
11	*	80118993	2	FITTING HP ZERK 1/8 NPT
12	*	80118995	2	CAP ZERK FITTING
13	*	80118998	4	PLUG CSP OUTLET DOUBLER M10
14	*	80118999	4	FITTING G-LOCK X M10 CSP
15	*	80119000	6	FITTING 1/4 G-LOCK X 1/8 NPT
16	*	80119002	6	HOSE END 1/8 G-LOCK STRAIGHT
17	*	80119003	4	HOSE END 1/8 G-LOCK ELBOW
18	*	80119230	1	FITTING CROSS 1/8 NPSF FEMALE
19	*	80119234	1	FITTING NIPPLE 1/4 X 1/8 NPT
20	*	80119238	1	VALVE CSP DIVIDER 8 BANK
21		80119358	1	CABLE ELEC W57 GRACO AUTOLUBE
22		A181690	8	CLAMP TUBE
100	*	4957880	1	KIT GRACO TURNTABLE AUTO LUBE PART NOT SHOWN

* REPAIR KIT AND/OR PART OF KIT

Manitowoc Cranes

Description
CRAWLER ASSY

Assembly No.
A159073
Revision: **N**

Item	FN	Part	Qty	Description
100		1435812	2	PIN
101		1721732	2	SLING LIFTING
102		5621060	4	PIN COTTER, 1/4 DIA X 1.75 LG
103		7126242650	2	HHCS M16x100 -8.8 ISO 4014
104		7661240803	2	NUT M16
105		A167862	1	LEVER

Manitowoc Cranes

Description
BOOM STOP ASSY

Assembly No.
A178671
Revision: **B**

Item	FN	Part	Qty	Description
1		1766909	1	PIN
2		1954712	1	BOOM STOP GUIDE BAR
3		5483550	2	HEX LOCK NUT PA
4		5621080	1	PIN COTTER
5		5621290	2	PIN COTTER
6		6525280	1	SPRING COMPRESSION
7		7095300	1	F WASHER
8		A178642	1	BOOM STOP
9		A178652	1	BOOM STOP
10		A178662	1	STRUT

Manitowoc Cranes

Description
COUPLER

Assembly No.
3754390
Revision: **C**

Item	FN	Part	Qty	Description
1	*	9364220156	1	KIT, COUPLER SEAL
9	*	NSS	1	NOT SERVICED SEPARATELY
10	*	NSS	1	NOT SERVICED SEPARATELY
11	*	NSS	1	NOT SERVICED SEPARATELY
12	*	NSS	1	NOT SERVICED SEPARATELY

* REPAIR KIT AND/OR PART OF KIT

Manitowoc Cranes

Description

NIPPLE, QUICK DISCONNECT

Assembly No.

A175240

Revision: **D**

Item	FN	Part	Qty	Description
1		9364220174	1	O-RING

Manitowoc Cranes

Description

CATWALK ASSY 5.5M #76 INSERT

Assembly No.

810166801

Revision: B

Item	FN	Part	Qty	Description
1		7660152500	34	HEX LOCK NUT PA 5/16-18UNC SS
2		6124050	12	HHCS
3		810166880	1	CAT WALK
4		810166910	22	WASHER SHOULDER
5		810168362	11	SUPPORT
6		810169952	2	BRACKET
7		810169990	1	PLATFORM CATWALK WELDMENT
8		7115155064	18	C BOLT
9		7115155864	4	C BOLT
10		7950150141	46	F WASHER 5/16"

Manitowoc Cranes

Description
GUIDE WIRE ROPE ASSY

Assembly No.
A166319
Revision: G

Item	FN	Part	Qty	Description
1		0730459	4	PIN
2		1698102	4	PLATE KEEPER
3		1748442	12	CLAMP
4	+	1767996	3	SHEAVE ASSY
5		1772182	2	STRUT
6		1772222	2	SHAFT
7		1772232	2	CLAMP
8		1772809	4	PIN
9		5460580	16	HEX NUT
10		5621100	4	PIN COTTER
11		5621540	4	PIN COTTER
12		5638030	8	PIN WIRE LOCK
13		6126910	14	HHCS
14		6127150	8	HHCS
15		7103070	14	WASHER, LOCK
16		7103080	8	WASHER, LOCK
18		A180902	2	ROPE GUARD

+ SEE FURTHER BREAKDOWN THIS GROUP

Manitowoc Cranes

Description

SHEAVE ASSY 30" DIA FOR 1.00"R

Assembly No.

81033848

Revision: **B**

Item	FN	Part	Qty	Description
1		1938232	1	SHEAVE, 30 IN DIA
2		2250190	1	BEARING
3		80121082	2	SEAL LIP 6.11 ID X 7.19 OD

Manitowoc Cranes

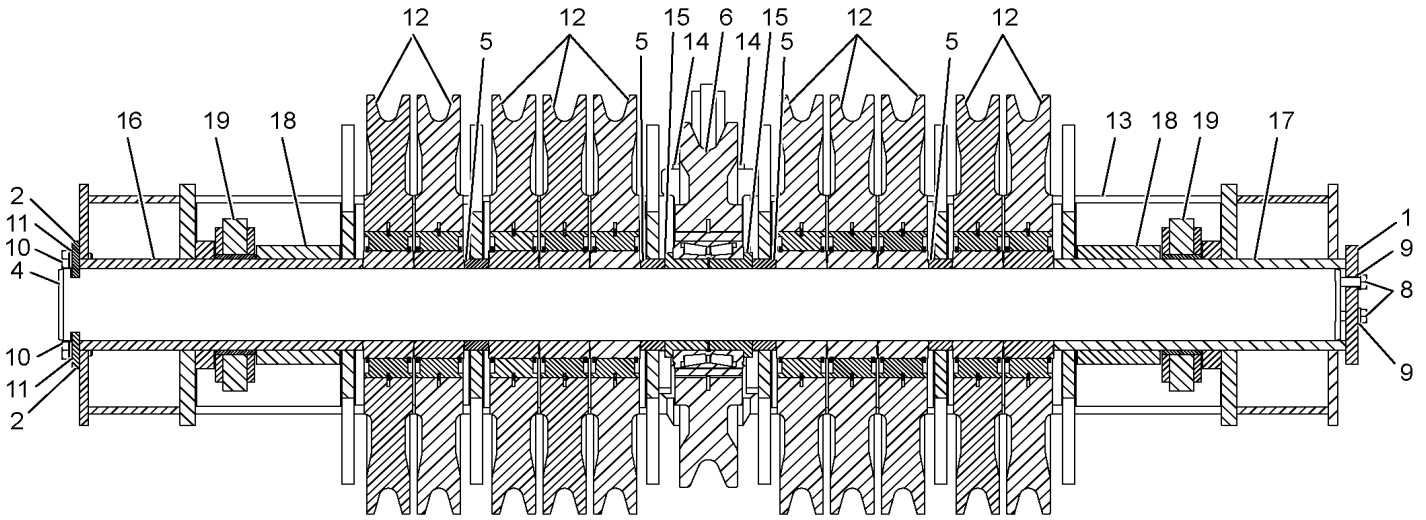
Description
SWITCH ASSEMBLY BLOCK

Assembly No.
1957499
 Revision: **C**

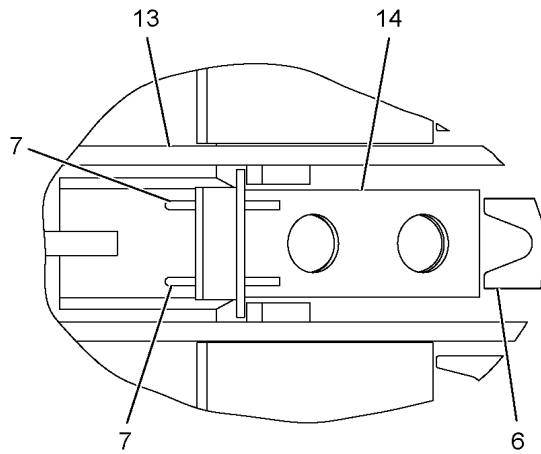
Item	FN	Part	Qty	Description
1		0012042	1	SPRING
2		810152440	1	BOLT, EYE
3		1622712	1	COVER
4		1770762	1	BRACKET
5	+	1770804	1	LEVER ASSY
6		810138430	1	CAP, SEAL MINI-FAST/CHANGE REC
7		2528810	1	SCREW, SOCKET SET
8		3636570	1	ELBOW, CONDUIT
9		5896540	1	RECEPTACLE, MALE
10		5386660	1	NAMEPLATE (195749)
11		5434440	1	PIPE, NIPPLE
12		6246330	1	SHACKLE
13		810161270	1	SWITCH, LIMIT
14		7091510	2	WASHER, COPPER
15		6668560	1	STRAP, CABLE TIE, NYLON
16		5467630	2	NUT, HEX JAM
17		810161360	1	SWITCH, LEVER ARM FIXED

+ SEE FURTHER BREAKDOWN THIS GROUP

Manitowoc Cranes



A - A



B

Manitowoc Cranes

Description
CLAMP CABLE ASSY

Assembly No.
A182331
Revision: **A**

Item	FN	Part	Qty	Description
1		7121110901	2	Slot PMS M4x14 -4.8 ISO 1580
2		7661110003	2	HEX NUT M4-8 ISO 4032
3		7951110210	4	LOCKWASHER, 4MM I.D.
4		A182342	1	CLAMP CABLE
5		A182352	1	CLAMP CABLE

Manitowoc Cranes

Description

DECAL KIT 14000 BOOM INSERT

Assembly No.

80116307

Revision: **A**

Item	FN	Part	Qty	Description
501		147852	2	DECAL-DANGER-BOOM HAZARD
504		81007341	4	DECAL-LIFT POINT
506		81007343	2	DECAL-CENTER OF BALANCE

Manitowoc Cranes

Description

SHEAVE FOR 1" WIRE ROPE

Assembly No.

1704193A

Revision: L

Item	FN	Part	Qty	Description
102	+	1712501	1	SHEAVE ASSY

+ SEE FURTHER BREAKDOWN THIS GROUP

Manitowoc Cranes

Description

DECAL KIT 14000 BOOM INSERT

Assembly No.

80116307

Revision: **A**

Item	FN	Part	Qty	Description
501		147852	2	DECAL-DANGER-BOOM HAZARD
504		81007341	4	DECAL-LIFT POINT
506		81007343	2	DECAL-CENTER OF BALANCE

Manitowoc Cranes

Description
SHEAVE ASSY

Assembly No.
1767996
Revision: **D**

Item	FN	Part	Qty	Description
1		810078580	1	BEARING ROLLER
2		5963370	2	RETAINING RING EXT
4		6310980	1	SHEAVE 27"OD 1.125"GR

Manitowoc Cranes

Description
JIB STOP ASSY, #134

Assembly No.
1793321
Revision: FE

Item	FN	Part	Qty	Description
1		1773402	1	OUTER/INNER TUBE
2		1772412	2	LINK
3		5620440	4	PIN, COTTER
4	+	1793701	1	GUIDE WIRE ROPE
5		6310940	2	SHEAVE
6		1438892	2	PIN 1 HOLE W/HD
7		6125510	2	HHCS
8		7103060	2	WASHER, LOCK
9		6124700	2	SCREW, HEX HEAD CAP
10		5483420	2	NUT, LOCK
11		1773182	2	RETAINER
12		1773122	2	RETAINER
13		6124530	8	SCREW, HEX CAP
14		7103040	8	L WASHER
15		1793902	1	CABLE
16		1773162	2	PIN 2 HOLE
17		810063580	4	SPACER PIPE
18		6246310	2	SHACKLE
19		6827020	4	THIMBLE
20		3492810	8	CLIP
22		5638710	2	PIN, SAFETY
23		1773672	2	PIN
24		5638230	4	PIN SAFETY
25		0706469	2	PIN
26		6525240	2	SPRING
27		7094600	4	WASHER, FLAT SHIM
28		5621070	4	PIN COTTER
29		7169790	1	WINCH
30		5637420	2	PIN, SPRING SLOT
31		7193040	65	WIRE ROPE 3/16 7X19
32		7193040	20	WIRE ROPE 3/16 7X19

+ SEE FURTHER BREAKDOWN THIS GROUP

Manitowoc Cranes

Description
SWITCH ASSEMBLY BLOCK

Assembly No.
1957499
 Revision: **C**

Item	FN	Part	Qty	Description
1		0012042	1	SPRING
2		810152440	1	BOLT, EYE
3		1622712	1	COVER
4		1770762	1	BRACKET
5	+	1770804	1	LEVER ASSY
6		810138430	1	CAP, SEAL MINI-FAST/CHANGE REC
7		2528810	1	SCREW, SOCKET SET
8		3636570	1	ELBOW, CONDUIT
9		5896540	1	RECEPTACLE, MALE
10		5386660	1	NAMEPLATE (195749)
11		5434440	1	PIPE, NIPPLE
12		6246330	1	SHACKLE
13		810161270	1	SWITCH, LIMIT
14		7091510	2	WASHER, COPPER
15		6668560	1	STRAP, CABLE TIE, NYLON
16		5467630	2	NUT, HEX JAM
17		810161360	1	SWITCH, LEVER ARM FIXED

+ SEE FURTHER BREAKDOWN THIS GROUP

Manitowoc Cranes

Description
INSERT 3.00M ASSY

Assembly No.
A166043
Revision: B

Item	FN	Part	Qty	Description
1		5620450	16	PIN COTTER
2		5621510	2	PIN, COTTER
3		7126192650	4	CAP SCREW, M10 X 100MM HEX HEAD
4		7661190803	4	HEX LOCK NUT M10 -8 ISO 7040
5		7951190014	8	F WASHER 10
6		A081092	4	LINK
7		A081102	4	LINK
8		810171860	1	TIMBER
9		810173882	2	GUARD WIRE ROPE
10		A117952	8	PIN 2 HOLE
12		A167322	2	PIN 1 HOLE W/HD
100		1798622	4	COLLAR
101		1798632	4	PIN 1 HOLE W/HD
102		1799592	4	PIN 2 HOLE
103		1959842	4	LINK
104		5620850	8	PIN COTTER
105		5636400	2	SAFETY PIN
106		A167332	2	PIN 1 HOLE W/HD
107		A167762	2	STRAP

Manitowoc Cranes

Description
PLATFORM CATWALK ASSY

Assembly No.
810169492
Revision: B

Item	FN	Part	Qty	Description
1		7660152500	36	HEX LOCK NUT PA 5/16-18UNC SS
2		6124050	12	HHCS
3		810166880	1	CAT WALK
4		810166910	24	WASHER SHOULDER
5		810168362	12	SUPPORT
6		810169952	2	BRACKET
7		810169970	1	PLATFORM CATWALK WELDMENT
8		7115155064	24	C BOLT
9		7950150141	48	F WASHER 5/16"

Manitowoc Cranes

Description
INSERT 12.00M ASSY

Assembly No.
A161153
Revision: B

Item	FN	Part	Qty	Description
1		5620450	16	PIN COTTER
2		5621510	2	PIN, COTTER
3		7126192650	8	CAP SCREW, M10 X 100MM HEX HEAD
4		7661190803	8	HEX LOCK NUT M10 -8 ISO 7040
5		7951190014	16	F WASHER 10
6		A081092	4	LINK
7		A081102	4	LINK
8		810171860	2	TIMBER
9		810173882	4	GUARD WIRE ROPE
10		A117952	8	PIN 2 HOLE
11		A161161	1	INSERT 12.00M
12		A167322	2	PIN 1 HOLE W/HD
100		1798622	4	COLLAR
101		1798632	4	PIN 1 HOLE W/HD
102		1799592	4	PIN 2 HOLE
103		1959842	4	LINK
104		5620850	8	PIN COTTER
105		5636400	2	SAFETY PIN
106		A161712	2	STRAP
107		A167332	2	PIN 1 HOLE W/HD

Manitowoc Cranes

Notes

Manitowoc Cranes

Description
CYLINDER HYDR

Assembly No.
A161860
Revision: **A**

Item	FN	Part	Qty	Description
1	*	9372220086	1	WIPER, ROD
2	*	9372220249	1	SEAL, HEAD
3	*	9372220123	1	O-RING
4	*	9372220124	1	RING, BACK-UP
5	*	9372220388	1	SEAL, PISTON
6	*	9372220389	1	GUIDE, PISTON
7	*	9372220128	1	O-RING
8	*	9372221091	1	KIT, SEAL PART NOT SHOWN

* REPAIR KIT AND/OR PART OF KIT

Manitowoc Cranes

Description
ROLLER ASSY

Assembly No.
A192881
Revision: **A**

Item	FN	Part	Qty	Description
1		6021730	2	ROLLER
2		A191982	1	SHAFT
3		A192892	1	BRACKET
4		A192900	1	ROLLER

Manitowoc Cranes

Description
INSERT 12.00M ASSY

Assembly No.
A161153
Revision: B

Item	FN	Part	Qty	Description
1		5620450	16	PIN COTTER
2		5621510	2	PIN, COTTER
3		7126192650	8	CAP SCREW, M10 X 100MM HEX HEAD
4		7661190803	8	HEX LOCK NUT M10 -8 ISO 7040
5		7951190014	16	F WASHER 10
6		A081092	4	LINK
7		A081102	4	LINK
8		810171860	2	TIMBER
9		810173882	4	GUARD WIRE ROPE
10		A117952	8	PIN 2 HOLE
11		A161161	1	INSERT 12.00M
12		A167322	2	PIN 1 HOLE W/HD
100		1798622	4	COLLAR
101		1798632	4	PIN 1 HOLE W/HD
102		1799592	4	PIN 2 HOLE
103		1959842	4	LINK
104		5620850	8	PIN COTTER
105		5636400	2	SAFETY PIN
106		A161712	2	STRAP
107		A167332	2	PIN 1 HOLE W/HD

Manitowoc Cranes

Description

BOOM ASSY #76 INTER STRUT

Assembly No.

A179531

Revision: **B**

Item	FN	Part	Qty	Description
1		1798622	2	COLLAR
2		1799592	2	PIN 2 HOLE
3		5620850	4	PIN COTTER
4		A180399	2	PIN 1 HOLE W/HD
5		A180400	4	PIN HITCH
6		A180412	1	STRUT WELDMENT
7		A180422	1	STRUT WELDMENT

Manitowoc Cranes

Description
INSERT 20 FT

Assembly No.
A16462D
Revision: **FA**

Item	FN	Part	Qty	Description
101		0762252	4	PIN
102		1769389	1	INSERT
103		810176762	2	TIMBER
104		6126850	8	HHCS REF PN 7660201601 HEX LOCK NUT
108		5621580	8	PIN COTTER
109		7097470	16	F WASHER

Manitowoc Cranes

Description

PARTS BOX FIXED JIB 14000

Assembly No.

80108770

Revision: **B**

Item	FN	Part	Qty	Description
1	+	A181252	1	WIND SPEED ASSY
2		2774310	2	PENDANT EACH

+ SEE FURTHER BREAKDOWN THIS GROUP

Manitowoc Cranes

Alphabetical Index	Appendix A	
Description	Part	Page
BUSHING	0700912	691, 737, 771
	1703732	551
	1756122	627
	1761112	551
	1764742	807
	1766492	701
	2886130	103
	2888500	301
	2897960	727
	2897970	323
	2898230	197
	2898270	93, 197, 199
	2898290	197, 199
	2900370	811, 821, 823
	2900390	677
	2902230	379
	2902250	383
	810091060	329
	84029322	343
	9722220107	416, 423
	A028690	380
	A029650	15
	A124220	305, 329
	A137400	705
BUSHING LOWER DOOR TROLLEY	A030020	11
BUSHING, COMPOSITE	2898180	855
	A165830	61
	A176560	93
BUSHING,ECCENTRIC JOURNAL	A026270	21, 25
BUSHING,STATIONARY	A026260	21, 25
BUTT 15 FT #134 JIB	1770549	745
BUTT 5.50 M #76 WELDMENT	A161095	623
BUTT ASSY #76, 5.50M	A161071	621
BUTTON (BLACK)	90016003	307
C BOLT	7115155064	659, 681, 781, 789, 795, 801, 841, 847
	7115155864	659
C BRK 50A 24V	A033210	374
CAB ASSY	810243544	3
CAB PART	2982340	303
CAB SUPPORT MACHINING	84034432	93
CAB WELDMENT VISION CAB	81023176	11
CABLE	1793902	759
	2971010	379
	2971020	379
	2971030	379
	2972140	341
	2972310	695, 715
	2974060	365
CABLE ELEC	810129750	353

From - BUSHING

To - CABLE ELEC

Manitowoc Cranes

Alphabetical Index	Appendix A	
Description	Part	Page
DIPSTICK OIL ASSY	A188811	401
DIRECTIONAL CONTROL VALVE	A113480	274
DISK, BRONZE	9490220117	123, 125, 149, 155, 165, 169, 179, 183, 192
DISK, STEEL	9490220115	123, 125, 149, 155, 165, 169, 179, 183, 192
DISPLAY	A006650 A025160	305, 329, 331 329
DISPLAY DRUM DIR INDICATOR	84023474	330
DOOR ASSY CAB	81021878	11
DOOR, CAB	810231772	15
DOWEL, SCREW	6201400	551
DRIER ASSY. RECEIVER	90018839	295, 297
DRIVE PLANETARY	A165400 A165450	189 161, 175
DRIVE PUMP	A164660	401
DRIVE PUMP ASSY	81012702	399
DRIVE SHAFT ASSY	810182740	555
DRIVEN DISC ASSEMBLY	9316220030	477
DRUM	1952919	143
DRUM MACHINING	810016192	161, 175
DUCK BILL	9515220025	37
DUCT AIR	A024832 A024842 A024852	27 27 27
DUCT, HOSE (3")	9515220026	35, 37
DUST CAP	3754410 3754420	239, 635 239, 273, 635
EDC WITH MS CONNECTOR	9722221168	407, 457, 493
ELBOW	9406220001	191
ELBOW (1/2")	9490220474	192
ELBOW 1/4 NPT 90 DEG STREET	80127035	581
ELBOW EXHAUST	81020363	519
ELBOW PIPE 45 DEG	4065740 4067020 4067030	401 469 103
ELBOW, 3/8"	9490220007	147
ELBOW, 90 DEG	810163000	162, 176
ELBOW, CONDUIT	3636570	689, 735, 769
ELEC CABLE	A172140 A183140	353 331
ELEC CABLE CAB PWER WCP27	84035566	365
ELEC CABLE CRANESTAR PWR	84035565	311

From - DIPSTICK OIL ASSY

To - ELEC CABLE CRANESTAR PWR

Manitowoc Cranes

Alphabetical Index	Appendix A	
Description	Part	Page
HOSE 0.125 ID (200 FT ROLL)	80118725	581, 597, 609, 611
HOSE 0.38ID X 5592 X17LG	810265580	526
HOSE ASSEMBLY	7555504610	116
HOSE ASSEMBLY 1 1/4" X 43"	7555704311	239
HOSE ASSY	7555502511	255
	7555504413	117
	A183270	581
HOSE ASSY .375 ID X 31 LG	7555203101	225
HOSE ASSY .375 ID X 57 LG	7555205701	255
HOSE ASSY (#12)	9515220014	37
HOSE ASSY (#6)	9515220015	37
HOSE ASSY .375 ID X 135 LG	7555213572	116
HOSE ASSY .375 ID X 141 LG	7555214171	116
HOSE ASSY .375 ID X 146 LG	7555214671	116
HOSE ASSY .375 ID X 87 LG	7555208700	116
HOSE ASSY .50 ID X 55 LG	7555305501	231
HOSE ASSY .50 ID X 98 LG	7555310101	226
HOSE ASSY 0.50 ID X 72 LG	7555307260	139
HOSE ASSY 0.50 ID X 75 LG	7555307561	139
HOSE ASSY 0.75 ID X 53 LG	7555505371	116
HOSE ASSY 1.00 ID X 24 LG	7555602411	239
HOSE ASSY 1-11/16-12X1-1/4 ID	7555702812	239
HOSE ASSY CODED	7555102881	255
	7555103081	255
	7555104080	255
	7555202512	217, 218
	7555203012	239
	7555203700	226
	7555204313	226
	7555209313	226
	7555210500	116
	7555210900	116
	7555212600	116
	7555306701	226
	7555502302	255
	7555503302	255
	7555503501	255
	7555506812	255
	7555509900	635
	7555601401	136
	7555602803	136
	7555609691	116
	7555809292	255
	7555809690	635
	7555809892	256
	7556502102	136
	7565303959	256
	7565305060	256

From - HOSE 0.125 ID (200 FT ROLL)

To - HOSE ASSY CODED

Manitowoc Cranes

Alphabetical Index	Appendix A	
Description	Part	Page
O-RING	7755912002	136, 239, 254, 255, 274, 291, 509, 635
	7755916002	116, 136, 217, 225, 255, 257
	7755920002	274, 635
	810055040	401, 451, 481, 490
	810265470	162, 176
	90001206	595
	90011555	443
	90022135	537
	9364220170	647
	9364220174	285, 647, 649
	9372220008	595
	9372220123	819
	9372220128	819
	9372220173	67, 201, 591
	9372220177	201
	9372220198	595
	9372220203	595
	9372220250	67, 591, 707
	9372220403	707
	9372220881	833
	9490220262	147, 153, 559, 571
	9490220376	569, 571
	9490220495	563, 571
	9490220566	147, 153, 165, 167, 179, 181
	9490220567	147, 153, 165, 167, 179, 181
	9490220568	165, 167, 179, 181
	9490221478	559, 571
	9632220008	173, 187
	9632220023	129, 173, 187, 416, 439, 451, 467, 489, 503
	9632220026	129, 173, 187
	9632220032	129, 159, 173, 187
	9632220035	129, 159, 173, 187, 195, 416, 451, 489
	9632220036	129, 130, 159, 173, 187
	9632220041	129, 173, 187
	9632220042	129, 159, 173, 187
	9632220045	129, 159, 173, 187
	9632220051	129, 173, 187
	9632220059	130, 159
	9632220109	159
	9632220110	159
	9632220130	195
	9632220221	173, 187
	9722220014	159, 415, 489
	9722220097	489, 503
	9722220098	489, 503
	9722220123	403
	9722220124	403
9722220125	403	
9722220130	405, 429, 439, 459, 467, 495, 503	
9722220261	407, 427, 439, 457, 467, 493, 503	

From - O-RING

To - O-RING

Manitowoc Cranes

Alphabetical Index	Appendix A	
Description	Part	Page
RELAY CONTACTOR 24VDC 50A	3653880	373
RELAY CONTACTOR HIGH POWER	A17868	371
RESISTOR	5948650	341
	5948660	387
RETAINER	0704152	757
	1773122	759
	1773182	759
	1955412	161, 175
	810153250	365, 611
	A014920	311
	A017500	365
	A192610	469
RETAINER BEARING	A003152	143
RETAINER, P-CLIP	A015950	311
	A015990	292, 365, 399, 469
RETAINER, SPRING	9722220318	490
RETAINING RING EXT	5963370	671, 749
RIGHT ANGLE GEAR	9490221325	559
RING	4567690	379
	5503230	365
	5962920	697
	5963530	161, 175
	9188220013	123, 149, 165, 169, 179, 183
RING, BA	9490221522	191
RING, BACK-UP	90001205	595
	9372220124	819
	9372220178	201
	9372220197	595
	9372220253	67, 591, 707
	9754220064	833
RING, DISTANCE	9632220222	173, 187
RING, EXTERNAL SNAP	9490220199	192
	9490220492	563
RING, EXTERNAL SNAP (125 UNI)	9490220345	121
RING, EXTERNAL SNAP 70UNI 7435	9490220119	192
RING, EXTERNAL, SNAP	9490220029	191
RING, EXTERNAL.SNAP	9490220052	147
RING, INTERNAL SNAP	9188220002	123, 149, 192
	9188220003	123, 149
	9188220005	123, 149
	9490220036	147
RING, NILOS (32036 AV)	9754220042	192
RING, PARBAK	9754220011	192
	9794220002	123, 125, 149, 155, 165, 167, 179, 181
	9794220003	123, 125, 149, 155, 165, 167, 179, 181

From - RELAY CONTACTOR 24VDC 50A

To - RING, PARBAK

Manitowoc Cranes

Alphabetical Index	Appendix A	
Description	Part	Page
SUPPORT	A161852	817
	A166242	399
	A166762	161, 175
	A166772	161, 175
	A170742	505
	A178182	623
	A178192	623
SUPPORT MAST RAISING	A16137	697
SUPPORT WINCH	1793422	763
SURGE TANK	90024882	533
SWASHPLATE ASSEMBLY	9722221339	489
SWASHPLATE, VARIABLE	9722220540	419
SWITCH	6726240	331
	6727170	329
SWITCH ASSEMBLY BLOCK	1957499	687, 733, 767
SWITCH ASSY BOOM STOP	810102319	319
SWITCH ASSY DISPLAY CONTROL PA	A095860	329
SWITCH ASSY SET UP REMOTE	810179150	312
SWITCH DISCONNECT - 62471	A106940	365
SWITCH HOUSING, WITH HANDLE GR	A179112	325
SWITCH KEY 2 POS	A096000	330
SWITCH KEY 3 POS	A095990	330
SWITCH PUSH BUTTON	A082230	303
SWITCH PUSH BUTTON RED	81037980	330
SWITCH VACUUM	A051070	237
SWITCH, BOOM HINGE PINS	7872100193	331
SWITCH, LEVER ARM FIXED	810161360	689, 735, 769
SWITCH, LIMIT	810161270	689, 735, 769
	810161350	311, 321
SWITCH, MAST ARMS	7872100194	331
SWITCH, PRESSURE (16 PSI)	90016848	109
SWITCH, PRESSURE HI/LO	90018823	295, 297
SWITCH, PUSHBUTTON MUSHROOM HE	A094660	325
SWITCH, PUSHBUTTON SPST (N.O.)	6726310	325
SWITCH, ROCKER	6726290	329, 331
	6727050	329
SWITCH, TOGGLE SPDT MOMENTARY	6726590	325
SWITCH, TOGGLE SPST MOMENTARY	6735700	325
SWITCH,L-SER 24V WNDSHLD WIPER	7872100174	330
SWIVEL (AS-5)	9539220033	661
SYNCH SHAFT ASSEMBLY	9632220230	129, 173, 187
T.D. DRAIN, BRASS DRAIN 1/4"	3520010	291, 525

From - SUPPORT

To - T.D. DRAIN, BRASS DRAIN 1/4"

Manitowoc Cranes

Numeric Index		Appendix B
Part	Description	Page
1704193A	SHEAVE FOR 1" WIRE ROPE	725
170419A	PIN FOR DEAD END ANCHOR LINK	861
1704694	ROLLER	551
1706412	F WASHER SHIM	401
1706622	SHAFT	673
1706772	SPACER	727
1707742	SHIM	551
1708512	PIN 2 HOLE	745
1712501	SHEAVE ASSY	729
1715239	PIN KEEPER	63
1715852	SHIM	673
1715862	SHIM	673
1715872	NUT	673
1716802	JACK PAD INSERT	541
1716812	PIN LOCKING	541
1718779	SHIM	197
1720822	SPACER	673
1721732	SLING LIFTING	619
1721869	ADAPTER	217
1722772	PIN	625
1722982	PIN	99
1728592	DECAL-CAUTION-REMOTE CAUTION-R	43
1735042	PREFORMED TUBE	239
1742082	FRAME, UPPER BOOM POINT	727
1748442	CLAMP	669
1755414	ROLLER W/289796 BUSHING	727
1756122	BUSHING	627
1760262	PLATE	555
1760272	SLEEVE	555
1760282	CARRIER	555
1760292	SPACER	555
1760349	TUMBLER	555
1760819	WASHER	551
1761112	BUSHING	551
1761342	COVER	551
1761352	COVER	551
1761672	PIN	555
1762699	PIN	197
1762702	PIN	197

From - 1704193A

To - 1762702

Manitowoc Cranes

Numeric Index		Appendix B
Part	Description	Page
4655169	BOTTOM OF SWING SHAFT	192
4705260	BOLT, SEAT GRATING	71, 623
4716820	CONNECTOR, GRIP CORD 7/16" BO	311, 321
4716940	CORD, GRIP STRAIN RELIEF	325
4717160	CORD, GRIP	301, 379
4720130	RUBBER, GROMMET	693
4720140	GROMMET	19
4752730	HANDLE, LOCKING	15
4775620	EXTENSION	767
4800860	HEATER	379
4838130	HOLDER, CUP	29
4844130	HOOK, HANGER	29
4855050	HOSE	161, 175
4858450	HOSE PER FOOT, PLASTIC 1/2ID	189
4859570	HOSE	613
4894000	INDICATOR	507
4894173	CUP & ARM ASSEMBLED	857
4930540	INSULATOR	379
4930550	INSULATOR	339
4952699	WINDOW COVER KIT	89
4955060	KIT, CRAWLER PUMP-CYL-HOSE	613
4957850	KIT GRACO CRAWLER AUTO LUBE	581
4957860	KIT GRACO CRAWLER AUTO LUBE	597
4957870	KIT GRACO CRAWLER AUTO LUBE	611
4957880	KIT GRACO TURNTABLE AUTO LUBE	609
4986390	KEY	555
5034480	LATCH	657
5052090	LENS-PARKING BRK	329, 331
5052170	LENS SYMBOL INSTR LIGHTING	329
5052230	LENS SYMBOL INTERIOR LIGHT	330
5052250	LENS SYMBOL SPEED CONTROL	331
5052360	LENS SYMBOL	329
5364025	SEAL KIT	195
5364515	MOTOR SEAL KIT	129
5364555	KIT, SHAFT SEAL	159
5364624	KIT	129
5364974	KIT, SHAFT SEAL	195
5366480	MOUNT	19
5367790	MOUNT, VIBRATION ISOLATOR	401

From - 4655169

To - 5367790

Manitowoc Cranes

Numeric Index		Appendix B
Part	Description	Page
7103010	L WASHER MEDIUM	11, 27, 29, 79, 380, 657
7103020	WASHER, LOCK	3, 11, 303, 311, 353, 380, 581, 597, 733
7103030	WASHER, LOCK	3, 393, 475, 555
7103040	L WASHER	189, 387, 745, 757, 759
7103050	WASHER, LOCK	475
7103060	WASHER, LOCK	143, 161, 175, 239, 273, 575, 697, 701, 751, 757, 759
7103070	WASHER, LOCK	469, 475, 669
7103080	WASHER, LOCK	65, 119, 589, 669, 727, 745, 757
7103100	L WASHER MEDIUM	65
7103190	WASHER, LOCK MEDIUM	11, 305, 329, 339
7104500	WASHER, LOCK	312, 317, 353, 693
7105100808	SCREW MACH FLAT HEAD SLOTTED	75
7106100	L WASHER	380
7107080	WASHER, SHAKEPROOF	11
7107310	L WASHER E-T	330
7107720	L WASHER I/E-T	365
7111060610	Slot RMS #6-32UNCx0.75 G1	33
7111100511	SLOT PMS #10-24UNCX0.63 G1	81
7111100611	SLOT PMS #10-24UNCX0.75 G1	79
7111101011	Slot PMS #10-24UNCx1.25 G1	81
7113400	WASHER	339
7114080311	SLOT PMS 8-32 X .38	11
7114290	F WASHER	399
7114320	WASHER	369
7115155064	C BOLT	659, 681, 781, 789, 795, 801, 841, 847
7115155864	C BOLT	659
7115161050	HHCS 3/8-16UNCX1.25 G5	510
7115171650	HHCS 7/16-14UNCx2 G5	623
7118172650	HHCS	253
7118180850	HHCS 1/2-13UNCx1 G8	543
7118183050	BOLT, HEX	253
7121110901	Slot PMS M4x14 -4.8 ISO 1580	709
7121111501	SLOT PMS	311
7121171301	SLOT PMS	665, 667
7126091254	SHCS 3 X 25 8.8	53, 601

From - 7103010

To - 7126091254

Manitowoc Cranes

Numeric Index		Appendix B
Part	Description	Page
7951190014	F WASHER 10	71, 73, 93, 103, 365, 471, 507, 513, 519, 526, 581, 623, 653, 665, 779, 787, 793, 799, 839, 845
7951190015	F WASHER	116
7951190210	LOCK WASHER, 10MM	71, 73, 93, 103, 311, 365, 479, 507, 581, 623, 687
7951190220	L WASHER 10	33, 119, 366
7951210014	F WASHER 12 -ST ISO 7089	57, 59, 71, 73, 79, 87, 93, 256, 274, 391, 505, 507, 510, 526, 551, 555, 575, 581
7951210210	LOCK WASHER, 12MM I.D.	57, 59, 63, 71, 73, 79, 93, 161, 175, 391, 469, 505, 507, 551, 575, 581, 697
7951210404	CR WASHER	555
7951240014	FLATWASHER 16MM I.D.	292, 509
7951240015	F WASHER	807
7951240210	SPRING WASHER, 16MM I.D.	97, 593, 701, 807, 815, 831
7951240220	LOCK WASHER, 16MM	665
7951270014	F WASHER	57, 136, 399, 575
7951270210	L WASHER 20 FLZN DIN7980	57, 143, 399, 575, 589, 697, 807
7951290210	LOCK WASHER, M24	551
80016509	GASKET-DPF	519
80017626	REGEN INITIATE/INHIBIT SWITCH	347
80018067	FITTING ADPT STRAIGHT	515
80018068	FITTING 3/8 X 3/8 90 ELBOW	515
80018081	MOUNTING BAND	519
80018088	DEF SUCTION HOSE ASSY 2m	513
80018089	DEF THROTTLE HOSE ASSY 2m	513
80018090	DEF PRESSURE HOSE ASSY 3m	513
80018989	VALVE-COOLANT CONTROL	515
80020080	GASKET-DECOMP PIPE	519
80020081	V-BAND CLAMP, SPHERICAL MARMAN	519
80020082	V-BAND CLAMP	519
80021901	PANEL-ULTRA LOW SULFUR DIESEL	385
80033309	PINCH CLAMP	515
80102744	PLATE CRANE ID MFG IN SG	43
80104433	CLAMP .312 DIA	609
80104842	SEAT WITH HEADREST CAB	3

From - 7951190014

To - 80104842

Manitowoc Cranes

Numeric Index		Appendix B
Part	Description	Page
810223262	PLATE	519
810223272	BRACKET	519
810223282	COVER	519
810223292	BRACKET	519
810223302	BRACKET	519
810223752	MAT FLOOR ASSY CAB	5
81022524	FILTER ASSY	519
81022525	FILTER ASSY	519
81022526	TUBE PREFORMED	519
81022527	CLAMP	519
81022528	TUBE PREFORMED	519
810225400	VALVE BALL	526
81023176	CAB WELDMENT VISION CAB	11
810231772	DOOR, CAB	15
810233050	DECAL EMERGENCY EXIT (NO ARROW	43
810237300	BRACKET, DRIER BOTTLE (3" DIA)	295
810237372	BRACKET	509
810239352	BRACKET	623
810241550	WIRING HARNESS	365
810241640	BOX JUNCTION ASSY	365
810241662	BRACKET	365
810241732	BRACKET	519
810241990	WIRING HARNESS	365
810242540	CIRCUIT BREAKER	365
810243544	CAB ASSY	3
810247150	RELAY 24V 10A	329, 369, 374
810247160	DECAL AFTERTREATMENT LC	369
810247170	JUNCTION BOX HOLE LAYOUT AFTER	369
810247180	PANEL ELEC AFTERTREATMENT JUNC	369
810248380	DECAL AFTERTREATMENT JUNCT	369
810250150	CHANNEL ANCHOR CLAMP	519
810251520	CHANNEL ANCHOR CLAMP	93
810257010	DECAL	385
810259780	CONTROLLER ENGINE NODE PCB	373
810261500	PHIL TMS	29, 349
810263112	COVER, ENGINE ENCLOSURE	87
810265470	O-RING	162, 176
810265580	HOSE 0.38ID X 5592 X17LG	526
810271560	GLASS, FRONT WINDOW CAB	17

From - 810223262

To - 810271560

CLICK HERE TO **DOWNLOAD** THE COMPLETE MANUAL

- Thank you very much for reading the preview of the manual.
- You can download the complete manual from: www.heydownloads.com by clicking the link below



- Please note: If there is no response to CLICKING the link, please download this PDF first and then click on it.

CLICK HERE TO **DOWNLOAD** THE COMPLETE MANUAL