

Manitowoc Cranes MACHINE COMPONENT INDEX

Date: December 07, 2018

Rev: 003

<u>Model Number</u> MLC165-1		<u>Serial Number</u> 91651106	
Item	Part	Description	Page
		ROTATING STRUCTURE	
1	80087868	STD CAB ASSYS VISION CAB	1
	84028208	SEAT ASSY CAB	3
1	80087827	STD ROT BED INSTL VISION CAB	5
	81023655	PIPING HYDR ASSY	7
	810238871	TANK HYDRAULIC ASSY RET FILTRA	9
	A164380	VENT BREATHER TANK	13
	810241071	PIPING HYDR ASSY ACCESSORIES	23
	810039130	Q DISCON FITTING	27
	810241081	PIPING HYDR ASSY SUCTION	31
	81039696	PIPING HYDR ASSY	37
	81020193	VALVE DIRECTIONAL CONTROL	43
	810114700	Q DISCON FITTING	45
	810114710	Q DISCON FITTING	47
	810241101	PIPING HYDR ASSY FAN	49
	810255640	VALVE COOLER BYPASS	53
	810241111	PIPING HYDR ASSY	59
	810039140	Q DISCON FITTING	63
	810121640	Q DISCON FITTING	65
	810362220	VALVE ASSY	67
	81020161	VALVE ASSEMBLY	69
	810402741	VALVE ASSY PILOT BRAKE & PAWL	71
	810299400	VALVE ASSY, PILOT BRAKE & PAWL	73
	84026810	CAB MOUNTING ASSY	75
	84027211	CAB ASSY 24V	79
	84025994	ESI CONTROL WIRING EXT	81
	84026015	CAB ASSY WIRING INTERIOR	83
	84026019	ESI CONSOLE ASSY	87
	84026022	CONSOLE RIGHT HAND ASSY	91
	81020508	HANDLE ASSY CONTROL 3 BANK	95
	81020509	HANDLE ASSY CONTROL 2 BANK	97
	84026023	CONSOLE, LEFT HAND ASSY	101
	81020510	HANDLE ASSY CONTROL 2	103
	81020484	HANDLE CONTROL	105

CLICK HERE TO **DOWNLOAD** THE COMPLETE MANUAL

- Thank you very much for reading the preview of the manual.
- You can download the complete manual from: www.heydownloads.com by clicking the link below



- Please note: If there is no response to CLICKING the link, please download this PDF first and then click on it.

CLICK HERE TO **DOWNLOAD** THE COMPLETE MANUAL

Manitowoc Cranes MACHINE COMPONENT INDEX

Date: December 07, 2018

Rev: 003

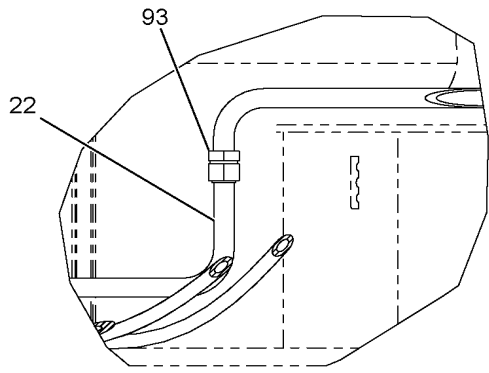
<u>Model Number</u> MLC165-1		<u>Serial Number</u> 91651106	
Item	Part	Description	Page
	1957499	SWITCH ASSEMBLY BLOCK	831
	1770804	LEVER	833
29	810425862	PARTS BOX ASSY OPT 2 INT STR	835
34	810425867	PARTS BOX ASSY OPT 7 W/ FJ	837
37	80078130	MAST	839
	810200041	ESI MAST	843
	810208781	WIRE ROPE ASSY	845
	810236301	MAST ASSY	849
	6462450	SOCKET/WEDGE, 7/8" (22 MM)	853
	81019935	CYLINDER HYDR ASSY	855
	A111261	SENSOR ASSY	857
41	810261451	ELECTRIC ACCESSORY ASSY	859
42	81024287	INSERT ASSY #74 3.00 M	861
44	81024291	INSERT ASSY #74	863
45	81027152	STRUT ASSY	865
51	810224823	10 FT #32938-2 JIB INSERT	867
52	810224824	20 FT #176938-2 JIB INSERT	869

Manitowoc Cranes

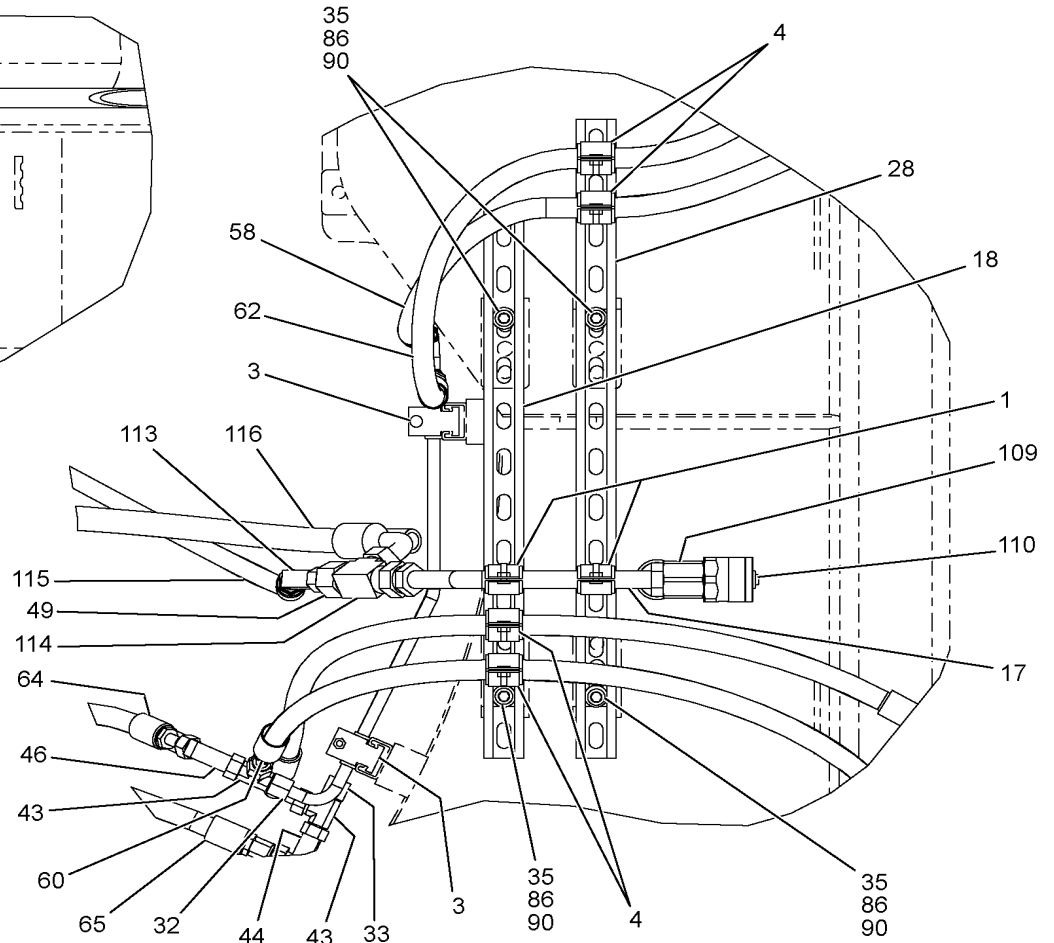
Description TANK HYDRAULIC ASSY RET FILTRA				Assembly No. 810238871 Revision: F
Item	FN	Part	Qty	Description
1		1744942	1	GASKET
2		2886130	1	BUSHING
3		2887000	2	HEX BUSHING PIPE
4		3456870	2	CLAMP, TUBE
5		3753030	1	COUPLING, PLUG
6		3753040	1	COUPLING, DUST CAP
7		4272850	1	FILTER, HYDRAULIC
8		4295540	1	FITTING, PLUG
9		4296170	1	FITTING, ADAPTER STRAIGHT
10		4603740	1	GAUGE, LEVEL OIL
11		5966920	3	O-RING
12		6124520	8	HHCS 3/8-16UNC X 0.75 GR 5
13		6149370	4	SCREW, SOCKET CAP
14		7103040	8	L WASHER
15		810223690	1	COVER, ACCESS FOR HYDRAULIC AN
17		810238900	1	MANIFOLD ASSY HYDR TANK
18		810247512	1	COVER ACCESS CLEANOUT 10 DIA A
19		7126191353	12	HHCS M10X30 8.8 FLZN ISO 4017
20		7126191453	12	HHCS M10X35 8.8 FLZN 4017
22		7566500600	3	HOSE
23		7951190014	12	F WASHER 10 200HV FLZN 7089
24		7951190210	12	LOCK WASHER, 10MM
25		7951240014	4	FLATWASHER 16MM I.D.
27		A030720	1	VALVE, CHECK
28		A080600	6	CLAMP, SPRING LIGHT DUTY
29		A110300	3	TUBE, PREFORMED
30		81040428	1	SENSOR
31		A119270	1	SENSOR, HYDRAULIC FLUID TEMPER
32		A151190	1	VALVE ASSEMBLY, BUTTERFLY VALV
33	+	A164380	1	VENT BREATHER TANK
34		A175152	1	COVER, ACCESS
35		A175650	3	FITTING FLANGE ASSEMBLY
36		A179080	3	HYDRAULIC FILTER
37		A195710	3	FITTING FLANGE ASSEMBLY, BLANK
39		810238880	1	TANK HYDRAULIC 172 GAL
40		2888440	1	PIPE, HEX BUSHING
41		3042240	1	CAP, PIPE
42		5429970	1	PIPE, NIPPLE
43		7019180	1	VALVE, BALL

+ SEE FURTHER BREAKDOWN THIS GROUP

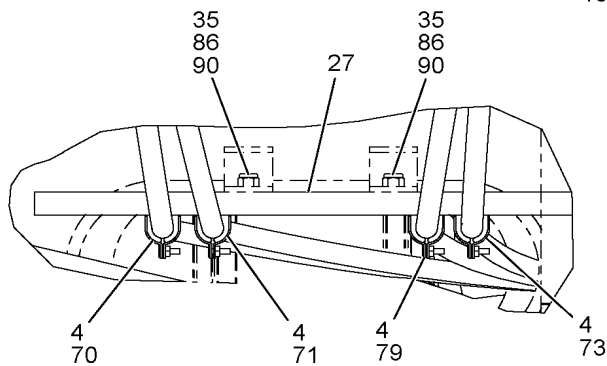
Manitowoc Cranes



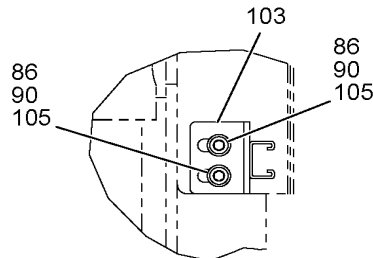
V - V



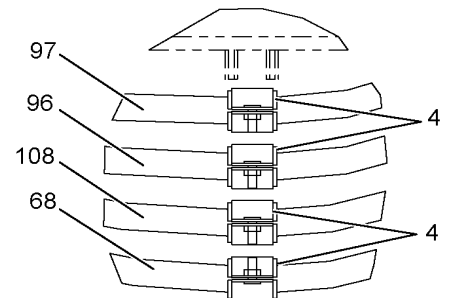
K



F

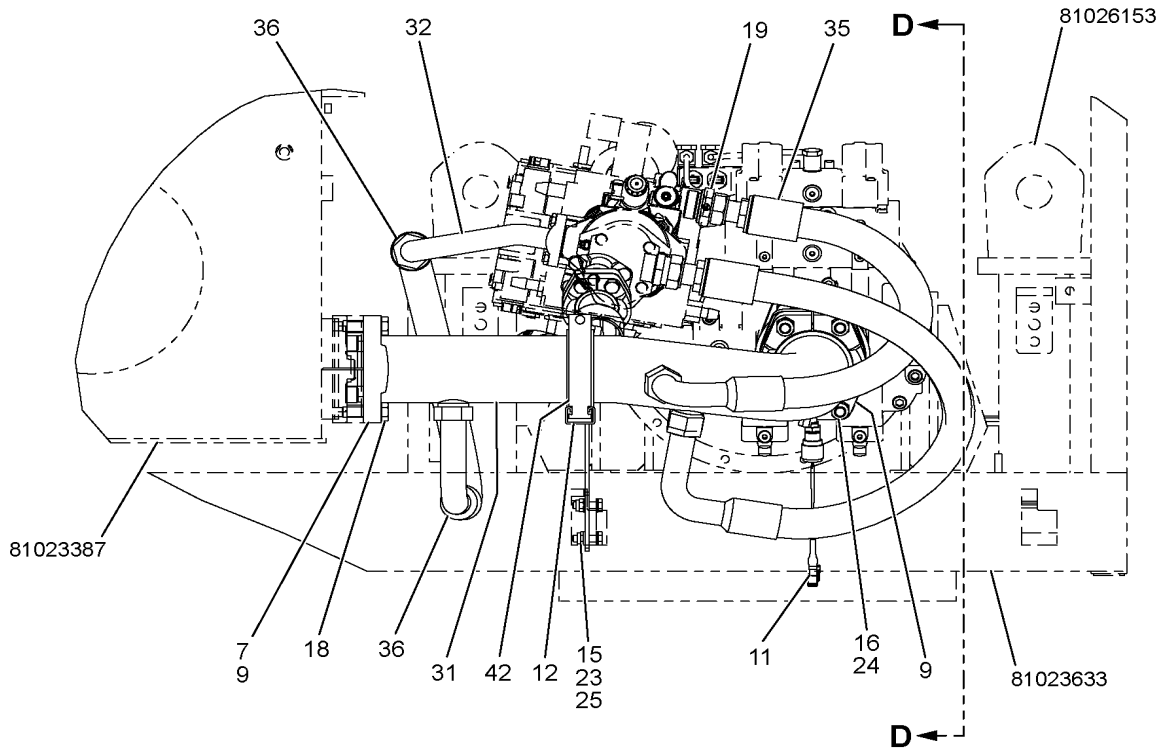
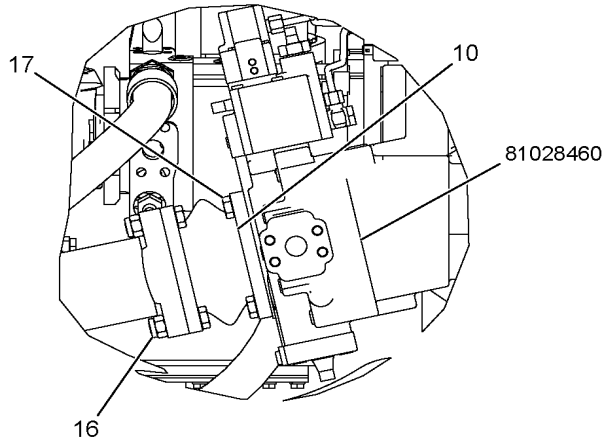


AP - AP



W - W

Manitowoc Cranes



Manitowoc Cranes

<u>Description</u> PIPING HYDR ASSY				Assembly No. 81039696 Revision: J
Item	FN	Part	Qty	Description
77		7555105001	1	HOSE ASSY, USE AS REQUIRED 1/4" I.D. X 50"
78		7555105101	1	HOSE ASSY
79		7555115481	1	HOSE ASSY CODED
80		7555117581	1	HOSE ASSY CODED
81		7555202802	1	3/8" I.D. HYDR HOSE ASSY STR-4
82		7555302202	1	HOSE ASSY .50 ID X 22 LG
83		7555305702	1	HOSE ASSY CODED
84		7555404201	1	HOSE ASSY CODED
85		7555505002	1	HOSE ASSY CODED
86		7555813591	1	HOSE ASSY CODED
87		7565202328	1	HOSE ASSY CODED
88		7565202428	1	HOSE ASSY CODED
89		7565202828	1	HOSE ASSY CODED
90		7565212328	1	HOSE ASSY CODED
91		7565212728	1	HOSE ASSY CODED
92		7565213828	1	HOSE ASSY CODED
94		7565318463	1	HOSE ASSY CODED
95		7565318562	1	HOSE ASSY CODED
96		A065440	2	FLANGE ASSY SPLIT CODE 62
99		A141150	1	FITTING PLUG
100		A175640	2	FLANGE ASSY SPLIT CODE 61
101		A175700	4	FLANGE ASSY SPLIT CODE 62
102		810043080	1	CAP DUST
103		810043090	1	PLUG DUST
104	+	810114700	1	Q DISCON FITTING
105	+	810114710	1	Q DISCON FITTING
106		810260530	1	TUBE PREFORMED
107		810114770	2	FLANGE ASSY SPLIT CODE 62
108		7565202428	1	HOSE ASSY CODED
110		4295320	1	FITTING, PLUG
111		84023978	1	TUBE ASSY HIGH PRESSURE
112		84024126	1	TUBE ASSY
113		84024932	1	TUBE ASSY RETURN PRESSURE
114		7565312157	1	HOSE ASSY CODED 1.25 ID X 121
115		3456840	6	CLAMP, TUBE

+ SEE FURTHER BREAKDOWN THIS GROUP

Manitowoc Cranes

Description PIPING HYDR ASSY FAN				Assembly No. 810241101 Revision: D
Item	FN	Part	Qty	Description
1		3456870	2	CLAMP, TUBE
2		4283370	2	FITTING
3		4295500	1	FLANGE ASSY SPLIT CODE 61
4		4316270	2	FLANGE ASSY SPLIT CODE 62
5		4317660	8	FLANGE ASSEMBLY
6		5967160	2	O RING
8		5968030	2	O RING
9		6124680	4	HHCS
10		6126590	4	HHCS
11		7094800	4	WASHER, FLAT
12		810029580	1	DISCONNECT
13		810058230	1	CLAMP TUBE
15		810160830	1	FLANGE SPLIT CODE 62
17		810167820	1	SENSOR
18		81021816	1	TUBE PREFORMED
19		81021820	1	TUBE PREFORMED 3.00 OD X .065
20		81021821	1	TUBE PREFORMED
21		81021918	1	FLANGE
22		810230020	1	TUBE PREFORMED 3.00 OD X .065
23	+	810255640	1	VALVE COOLER BYPASS
24		810260580	1	TUBE PREFORMED 1.00 OD X .187
25		810265970	1	TUBE PREFORMED 3.00 OD X .065
26		810265980	1	TUBE PREFORMED 3.00 OD X .065
27		810306310	1	TUBE PREFORMED 3.00 OD X .065
28		810306320	1	TUBE PREFORMED 3.00 OD X .065
31		7447040650	1	FITTING ADAPTER STRAIGHT
32		7447060413	1	REDUCER
33		7447060450	1	STR THD SWIVEL FEMALE
34		7447060604	1	TEE, BRANCH INCLUDES THE FOLLOWING PARTS
		7755012002	1	O-RING
		7755906002	1	O-RING
35		7447060616	2	CAP ASSY. FEMALE 11/16-16 INCLUDES THE FOLLOWING PARTS
		7755012002	1	O-RING
36		7447121233	3	ELBOW, 90 DEGREE INCLUDES THE FOLLOWING PARTS
		7755018002	1	O-RING
37		7555502701	1	3/4" ID HYD HOSE ASSY
38		7555502901	1	HOSE ASSY CODED
39		7565102702	1	HOSE ASSY CODED

+ SEE FURTHER BREAKDOWN THIS GROUP

Manitowoc Cranes

Description PIPING HYDR ASSY				Assembly No. 810241111 Revision: M
Item	FN	Part	Qty	Description
2		3455150	6	CLAMP, TUBE
3		3456840	6	CLAMP, TUBE
4		3456850	6	CLAMP TUBE
6		5483420	4	NUT, LOCK
7		6124820	4	HHCS
8		810029580	3	DISCONNECT
9	+	810039140	1	Q DISCON FITTING
10		810039150	1	CAP DUST
11	+	810121640	1	Q DISCON FITTING
12		810121660	1	PLUG DUST
16		810251520	1	CHANNEL ANCHOR CLAMP
17		810267300	1	TUBE PREFORMED
18		810268160	1	TUBE PREFORMED
19		810269550	1	CHANNEL
20		810272040	4	CLAMP
21		810272110	4	CLAMP
22		810275840	2	CLAMP
23		810275850	3	CLAMP
24		810275970	4	CHANNEL ANCHOR CLAMP
25		810276030	2	COVER PLATE
26		810276040	2	COVER PLATE
27		810276330	5	PLATE
28		810306340	1	HOSE ASSY
29		810306340	1	HOSE ASSY
31		7126171453	1	HHCS M8x35 -8.8 ISO 4017
32		7126171653	3	HHCS M8x45 -8.8 ISO 4017
33		7126211254	6	SOCKET HEAD CAP SCREW
34		7447040450	3	Q DISCON FITTING TEST PORT
35		7447040453	1	STRAIGHT THREAD ADAPTER
36		7447040455	2	ELBOW, MALE
37		7447040469	2	FITTING ADAPTER STRAIGHT
38		7447060601	2	ADAPTER, STRAIGHT MALE INCLUDES THE FOLLOWING PARTS
		7755012002	1	O-RING
		7755906002	1	O-RING
39		7447060603	2	ELBOW, 90 DEGREE INCLUDES THE FOLLOWING PARTS
		7755012002	1	O-RING
		7755906002	1	O-RING
40		7447060633	12	ELBOW, 90 DEGREE MALE INCLUDES THE FOLLOWING PARTS
		7755012002	1	O-RING

+ SEE FURTHER BREAKDOWN THIS GROUP

Manitowoc Cranes

Description
VALVE ASSEMBLY

Assembly No.
81020161
 Revision: **C**

Item	FN	Part	Qty	Description
1		90024154	6	VALVE
2		9926106806	1	KIT, SEAL
3		90024155	8	VALVE
4		90024156	1	KIT, SEAL
5		90024157	6	COIL, 24 VDC
6		810166850	8	COIL, 24VDC DIN
7		9926110809	2	VALVE, SHUTTLE
		9752101331	1	INCLUDES THE FOLLOWING PARTS KIT, SEAL
8		9752101331	1	KIT, SEAL

Manitowoc Cranes

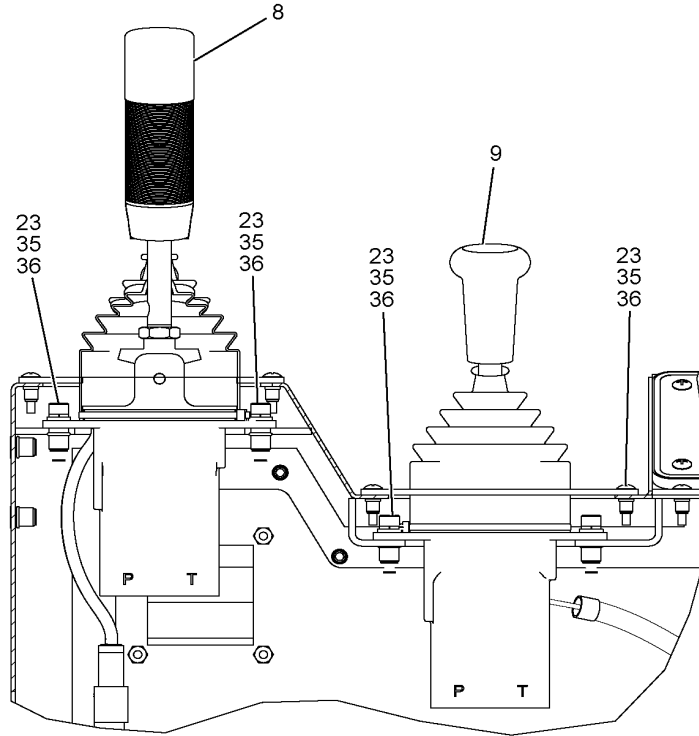
Description
CAB ASSY 24V

Assembly No.
84027211
Revision: **B**

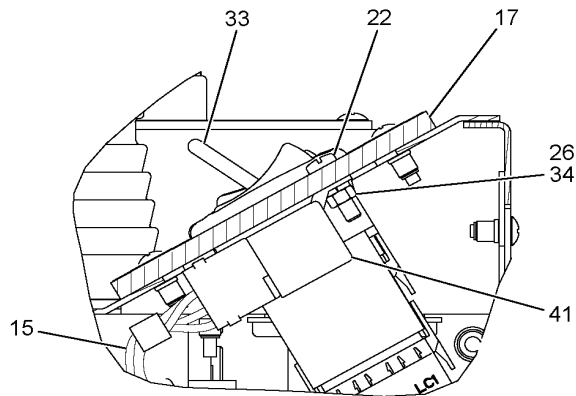
Item	FN	Part	Qty	Description
1	+	84025994	1	ESI CONTROL WIRING EXT
2	+	84026015	1	CAB ASSY WIRING INTERIOR
3	+	84026019	1	ESI CONSOLE ASSY
4	+	84027308	1	HYD LINES INSTL, PILOT VIS CAB
5	+	84027422	1	CAB ASSY PURCHASED
6	+	84027430	1	MAT FLOOR ASSY CAB

+ SEE FURTHER BREAKDOWN THIS GROUP

Manitowoc Cranes

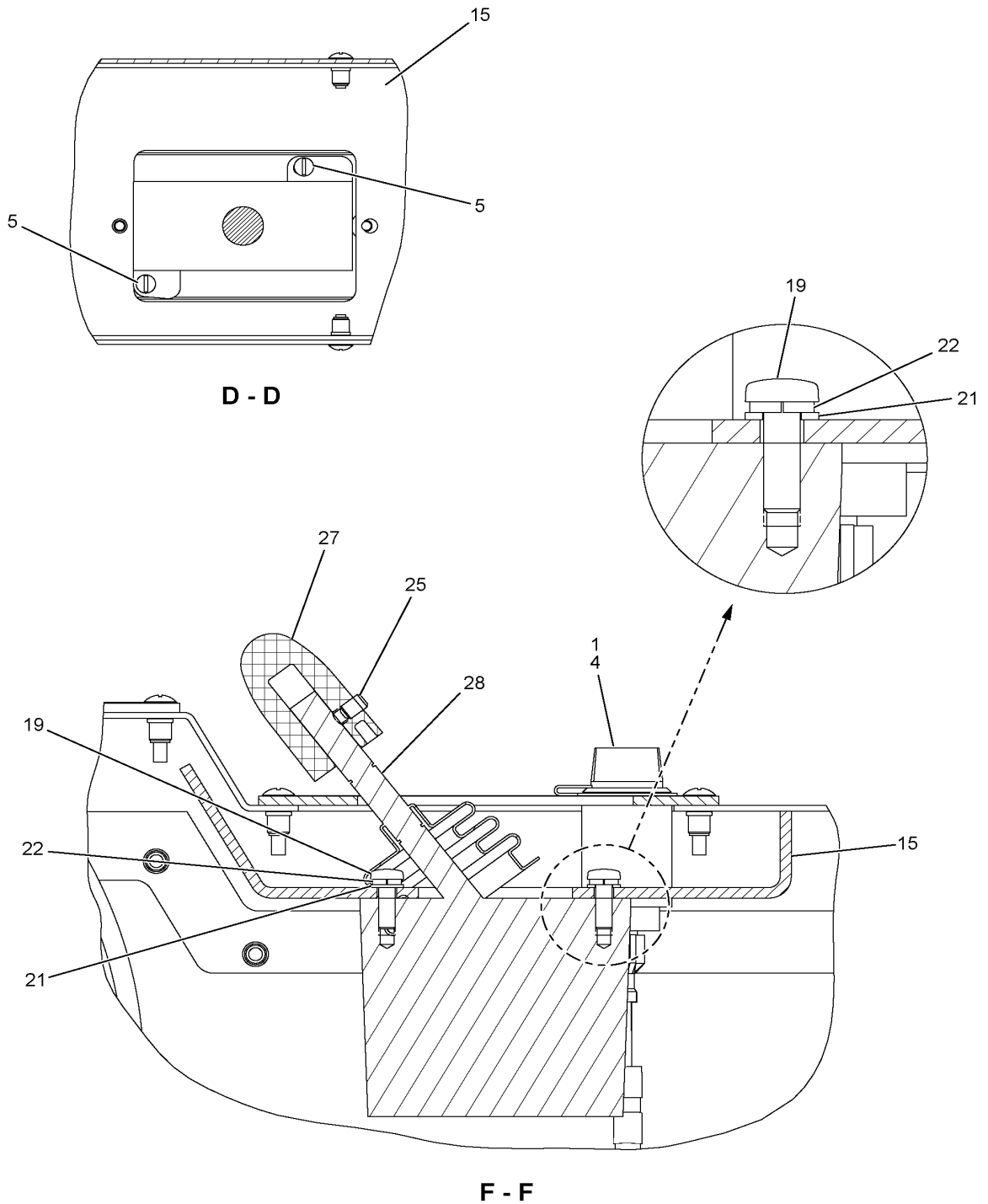


A - A



B - B

Manitowoc Cranes



Manitowoc Cranes

Description

CRANESTAR ASSY CNTRL ASSY REAR

Assembly No.

84026024

Revision: **A**

Item	FN	Part	Qty	Description
1		80051839	1	CRANESTAR TCU
2		810069522	1	BRACKET
3		7126171453	4	HHCS M8x35 -8.8 ISO 4017
4		7951170014	4	F WASHER 8 -ST ISO 7089
5		7661170803	4	NUT NYLOC M8

Manitowoc Cranes

Description

DISPLAY DRUM DIR INDICATOR

Assembly No.

84023474

Revision: **A**

Item	FN	Part	Qty	Description
1		84023475	1	CIRCUIT BOARD
2		84023477	1	CONSOLE
3		84029322	1	BUSHING
4		A097190	4	PHIL TMS

Manitowoc Cranes

Description

HYD LINES INSTL, PILOT VIS CAB

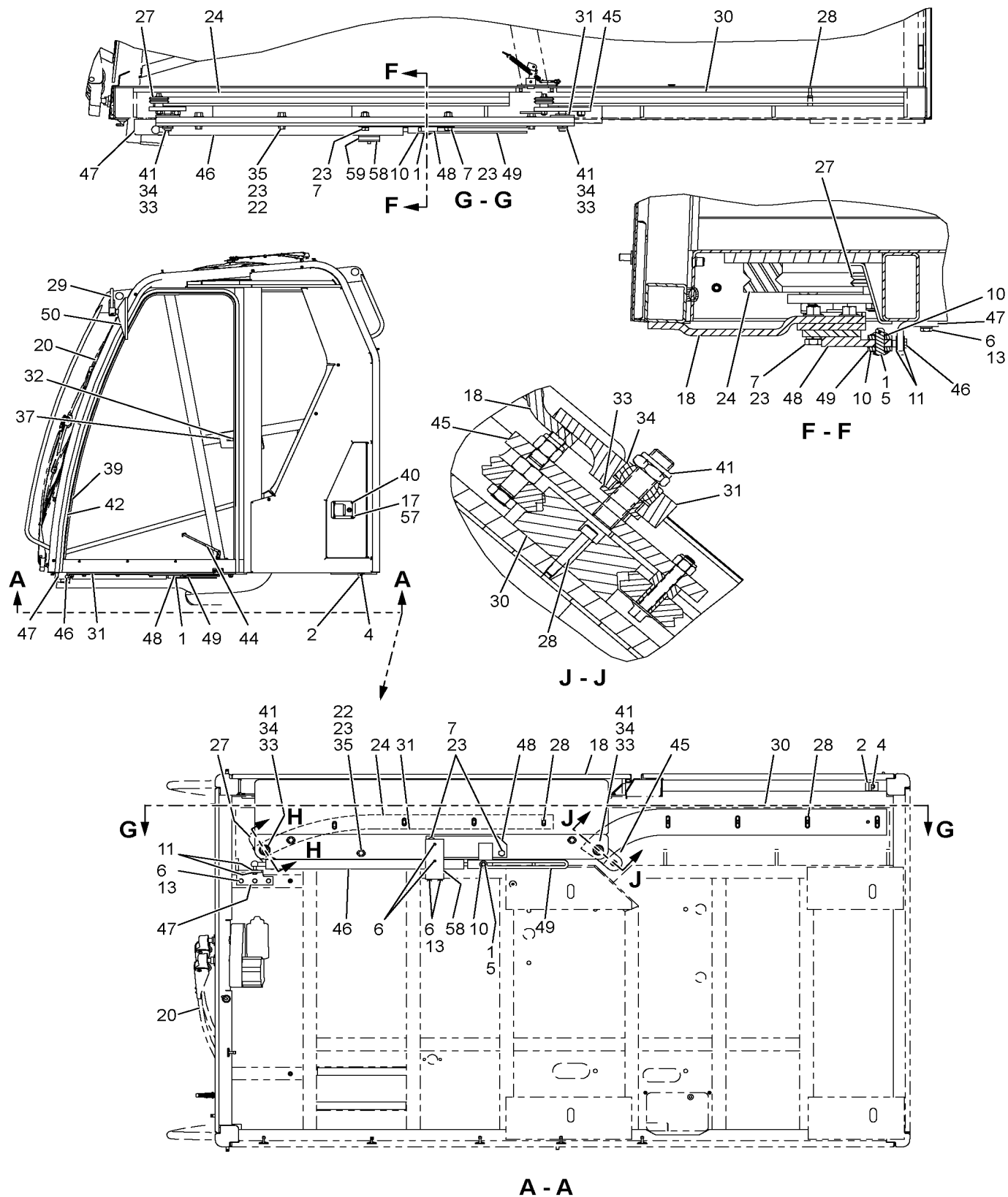
Assembly No.

84027308

Revision: **A**

Item	FN	Part	Qty	Description
1		4282230	6	FITTING ADAPTER STRAIGHT
2		4282310	14	FITTING
3		81021777	1	MANIFOLD ASSY
4		810222032	1	BRACKET
5		7126191453	4	HHCS M10X35 8.8 FLZN 4017
6		7447060617	1	UNION, BULKHEAD
		7755011002	1	INCLUDES THE FOLLOWING PARTS O-RING
7		7447060624	1	FITTING, BULKHEAD TEE ORS
8		7447060633	2	ELBOW, 90 DEGREE MALE
		7755012002	1	INCLUDES THE FOLLOWING PARTS O-RING
9		7447121233	1	ELBOW, 90 DEGREE
		7755018002	1	INCLUDES THE FOLLOWING PARTS O-RING
10		7661190003	2	NUT, HEX 10MM
11		7951190220	4	L WASHER 10
12		7555210002	1	3/8" I.D. HYDRAULIC HOSE STR-90 DEG ELBOW WITH O-RING SEALS
13		7555210502	1	HOSE ASSY CODED .375 ID X 105
14		7555210602	1	3/8" I.D. HYDR HOSE ASSY STR-4
15		7555211002	1	HOSE ASSY CODED .375 ID X 110
16		7555211402	1	HOSE ASSY CODED .375 ID X 114
17		7555212402	1	HOSE ASSY CODED .375 ID X 124
18		7555212702	1	HOSE ASSY CODED .375 ID X 127
19		7555213102	1	HOSE ASSY CODED .375 ID X 131
20		7555213202	1	3/8" I.D.HOSE ASSY STR X 45
21		7555213202	1	3/8" I.D.HOSE ASSY STR X 45
22		7555213302	1	HOSE ASSY CODED .375 ID X 133
23		7555213402	1	HOSE ASSY CODED .375 ID X 134
24		7555213402	1	HOSE ASSY CODED .375 ID X 134
25		7555213502	1	HOSE ASSY CODED
26		7555506093	1	HOSE ASSY CODED
27		7555213502	1	HOSE ASSY CODED
28		7555214302	1	HOSE ASSY CODED .375 X 143
29		7555214302	1	HOSE ASSY CODED .375 X 143
30		7555214702	1	HOSE ASSY CODED 7555214702
31		7555213502	1	HOSE ASSY CODED
32		7555214802	1	3/8" I.D. HYDR HOSE ASSY STR-4

Manitowoc Cranes



Manitowoc Cranes

Description

WINDSHIELD WIPER ASSY CAB

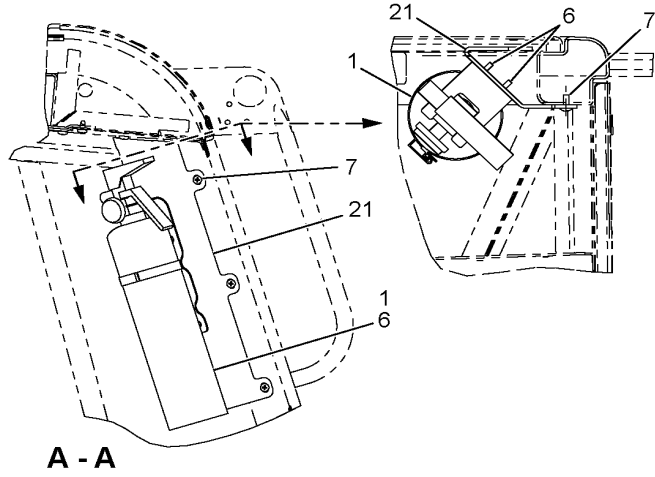
Assembly No.

810219011

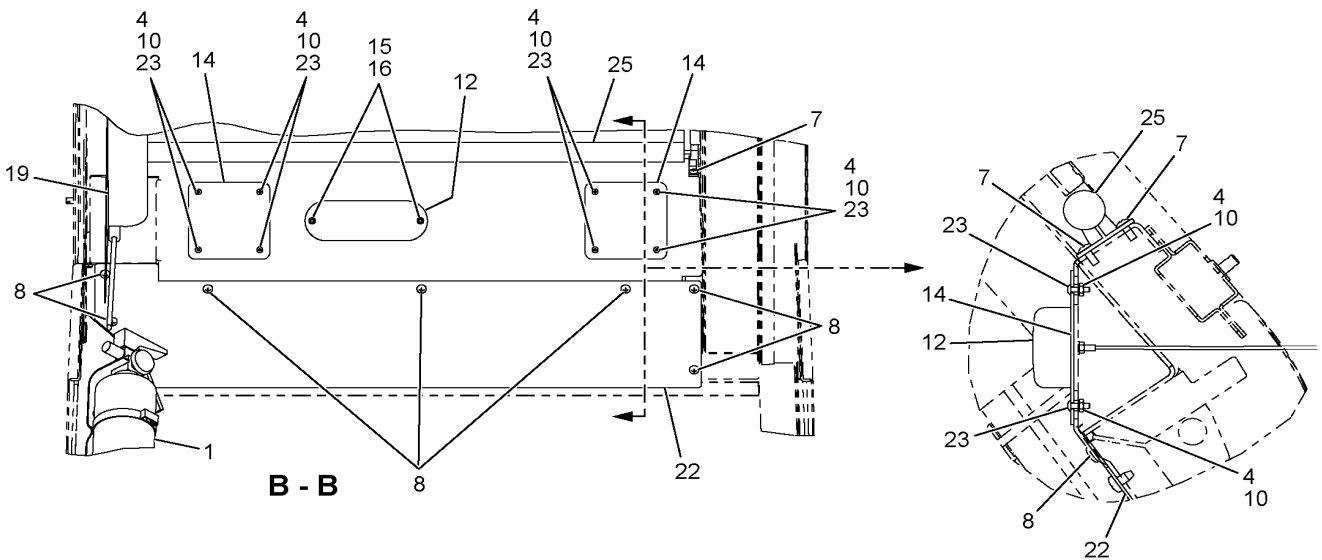
Revision: **B**

Item	FN	Part	Qty	Description
1		4720140	1	GROMMET
2		5366480	6	MOUNT
3		6670070	6	STRAP
4		A019660	1	WIPER ARM, FRONT
5		A019670	1	WIPER BLADE, FRONT
6		A019690	1	WIPER ARM, OVERHEAD
7		A019700	1	WIPER BLADE, OVERHEAD
8		A019720	2	VALVE, CHECK WASHER
9		A019730	2	CONNECTOR, BULKHEAD
10		A025890	2	TUBING, RUBBER
11		A030802	1	BRACKET, WIPER MOTOR BACKING P
13		A202790	1	WIPER MOTOR, ROOF
14		A202800	1	WIPER MOTOR, FRONT

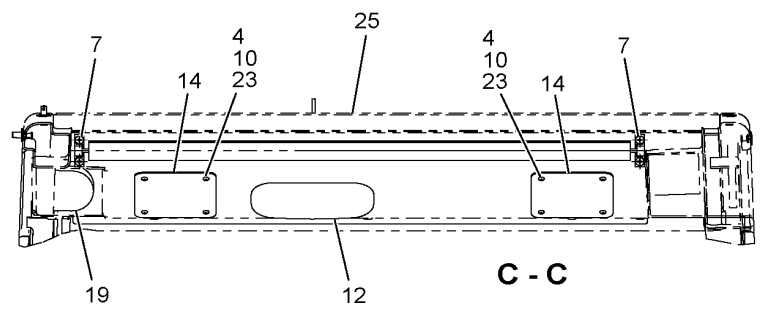
Manitowoc Cranes



A - A



B - B



C - C

Manitowoc Cranes

Description
MAT FLOOR ASSY CAB

Assembly No.
84027430
Revision: **A**

Item	FN	Part	Qty	Description
1		84028211	1	MAT FLOOR CAB
2		A029892	1	BRACKET, FLOOR MAT EDGE TRIM
3		A034580	3	SBFCS
4		6677480	1	STRIP, SAFETY WALK

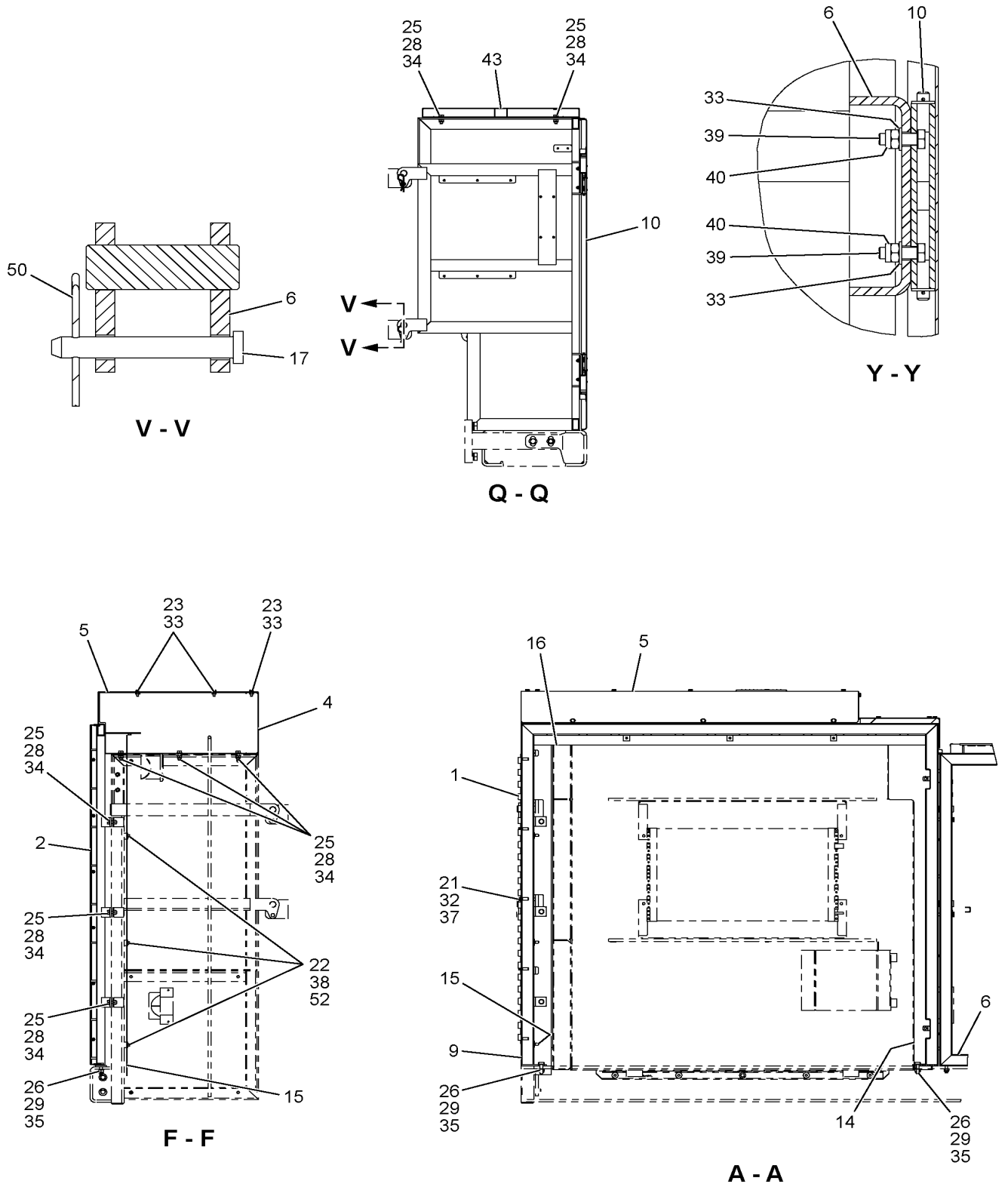
Manitowoc Cranes

Description
PLATFORM ASSY LEFT

Assembly No.
810236331
Revision: **A**

Item	FN	Part	Qty	Description
1		810264412	4	PLATFORM WELDMENT
2		810264442	1	PLATE 20.0 MM
3		810264552	1	PLATFORM WELDMENT
4		810264861	1	BRACKET
5		7126171253	1	HHCS M8X25 8.8 ISO 4017
6		7126171353	1	HHCS M8X30 8.8 ISO 4017
7		7661170003	1	NUT
8		7951170014	1	F WASHER 8 -ST ISO 7089
9		7951170210	1	L WASHER

Manitowoc Cranes



Manitowoc Cranes

<u>Description</u> COVER ASSY ENGINE				Assembly No. 810256413 Revision: B
Item	FN	Part	Qty	Description
1		810219470	4	BOLT EYE
2		81025642	1	FRAME ENGINE COVER
3		81025643	2	PANEL ENCL ASSY ENGINE COVER INCLUDES THE FOLLOWING PARTS
		81029324	2	LATCH T-HANDLE QUARTER TURN
4		81025644	1	COVER ASSY ENGINE COVER
5		7126211453	4	HHCS M12X35 8.8 FLZN ISO 4017
6		7661210803	4	HEX LOCK NUT
7		7951210014	8	F WASHER 12 -ST ISO 7089

Manitowoc Cranes

Description

TANK FUEL ASSY 563 L W/SHIPPIN

Assembly No.

810308960

Revision: **B**

Item	FN	Part	Qty	Description
1		5717030	2	PLUG, PIPE
2		5717040	5	PLUG, PIPE
3		7951130014	5	F WASHER 5 ST ISO 7089
4		81034488	2	COVER ACCESS FUEL TANK
5		81034489	1	COVER ACCESS FUEL TANK DRAIN
6		81021369	1	O-RING
7		81021370	2	O-RING
8		81021385	1	GASKET, FUEL LEVEL SENSOR
9		810265912	1	FUEL TANK 563 L
10		810286892	1	GASKET COVER
11		810286922	1	COVER PLATE
12		810287032	1	COVER PLATE
13		7126151253	12	HHCS M6X25 8.8 FLZN 4017
14		7126171353	8	HHCS M8X30 8.8 ISO 4017
15		7126191253	16	HHCS M10X25 8.8 FLZN 4017
16		7126131053	5	HHCS M5x16 -8.8 ISO 4017
17		7661151001	12	NUT HEX M6-1.0 10 PLN
18		7951150014	24	F WASHER 6 -ST ISO 7089
19		7951170014	8	F WASHER 8 -ST ISO 7089
20		7951170220	8	WASHER, 8MM SPRING LOCK
21		7951190014	16	F WASHER 10 200HV FLZN 7089

Manitowoc Cranes

Description ESI, ROTATING BED				Assembly No. 810251711 Revision: J
Item	FN	Part	Qty	Description
1		3455110	19	CLAMP TUBE, 0.75 DIA
2		3455120	4	CLAMP TUBE
3		3455130	1	CLAMP, TUBE
4		3455160	6	CLAMP TUBE
5		3456730	1	CLAMP, TUBE
6		3456840	9	CLAMP, TUBE
7		3456850	2	CLAMP TUBE
8		3456860	21	CLAMP TUBE
9		6222020	1	SEALANT SPRAY-MS475N
10		6670070	25	STRAP
12		810018650	2	ALARM
13		810072530	1	CABLE ELEC
17		81042743	1	WIRING HARNESS W46
18		81036788	1	WIRING HARNESS
19		81020009	1	CABLE ELEC
20	+	81021031	1	SWITCH ASSY
21	+	810211861	1	BOOM STOP ASSY
22	+	84020074	1	SENSOR FUEL LEVEL PROGRAM
23		810236902	1	BRACKET
24		810250110	1	CHANNEL ANCHOR CLAMP
25		810250150	11	CHANNEL ANCHOR CLAMP
26		810251520	2	CHANNEL ANCHOR CLAMP
27		84019776	1	WIRING HARNESS W53
28		810251750	1	ELEC CABLE
29		810258500	1	ELEC CABLE
30		810268062	1	BRACKET
31		810269530	1	CHANNEL
32		810321740	1	ELEC CABLE
33		7126131254	5	SHCS
35		7126151156	12	SCREW, HEX HEAD SERRATED FLANG
36		7126171253	4	HHCS M8X25 8.8 ISO 4017
37		7126211254	30	SOCKET HEAD CAP SCREW
39		7661170804	4	HEX LOCK NUT PA
40		7661210803	30	HEX LOCK NUT
41		7951130014	5	F WASHER 5 ST ISO 7089
42		7951130210	5	LOCKWASHER, 5MM I.D.
44		7951170014	14	F WASHER 8 -ST ISO 7089
46	+	A003238	3	CONTROLLER
47		A015120	1	CABLE ELECTRIC

+ SEE FURTHER BREAKDOWN THIS GROUP

Manitowoc Cranes

Description

SENSOR FUEL LEVEL PROGRAM

Assembly No.

84020074

Revision: **A**

Item	FN	Part	Qty	Description
1		810174430	1	SENSOR FUEL LEVEL

Manitowoc Cranes

Description

PIN PULLER ASSY, BOOM HINGE

Assembly No.

810371561

Revision: **A**

Item	FN	Part	Qty	Description
1		7126241753	8	HHCS M16X50 8.8 FLZN 4017
2		7951240014	8	FLATWASHER 16MM I.D.

Manitowoc Cranes

Description

FLOOR PLATE ASSY CAB

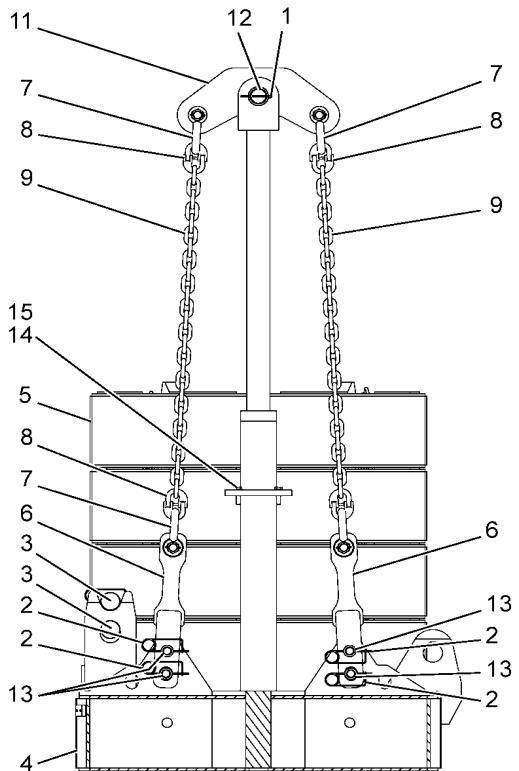
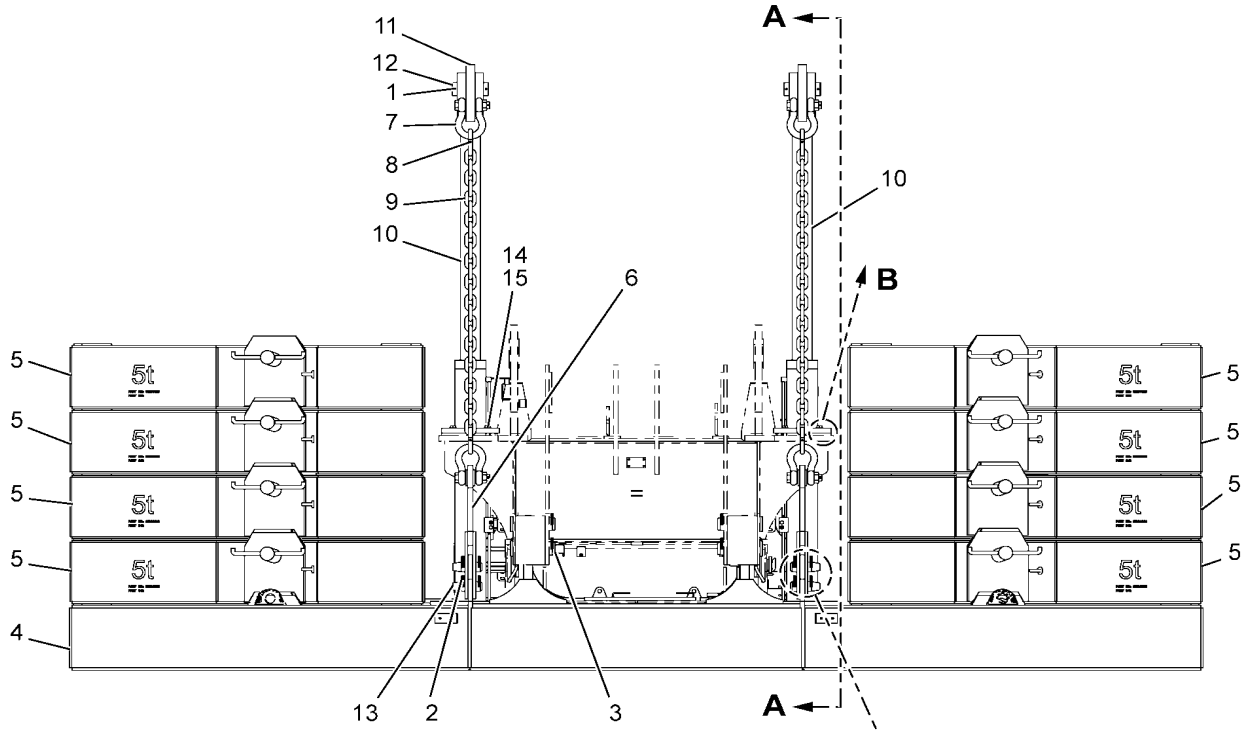
Assembly No.

810248791

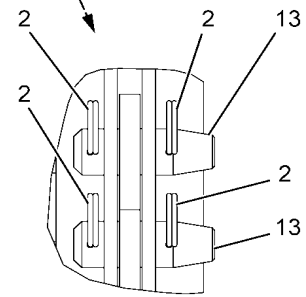
Revision: **A**

Item	FN	Part	Qty	Description
1		A162922	1	PLATE MOUNTING
2		810063210	6	SCREW, SOCKET BUTTON CAP

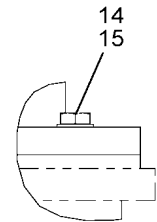
Manitowoc Cranes



A - A

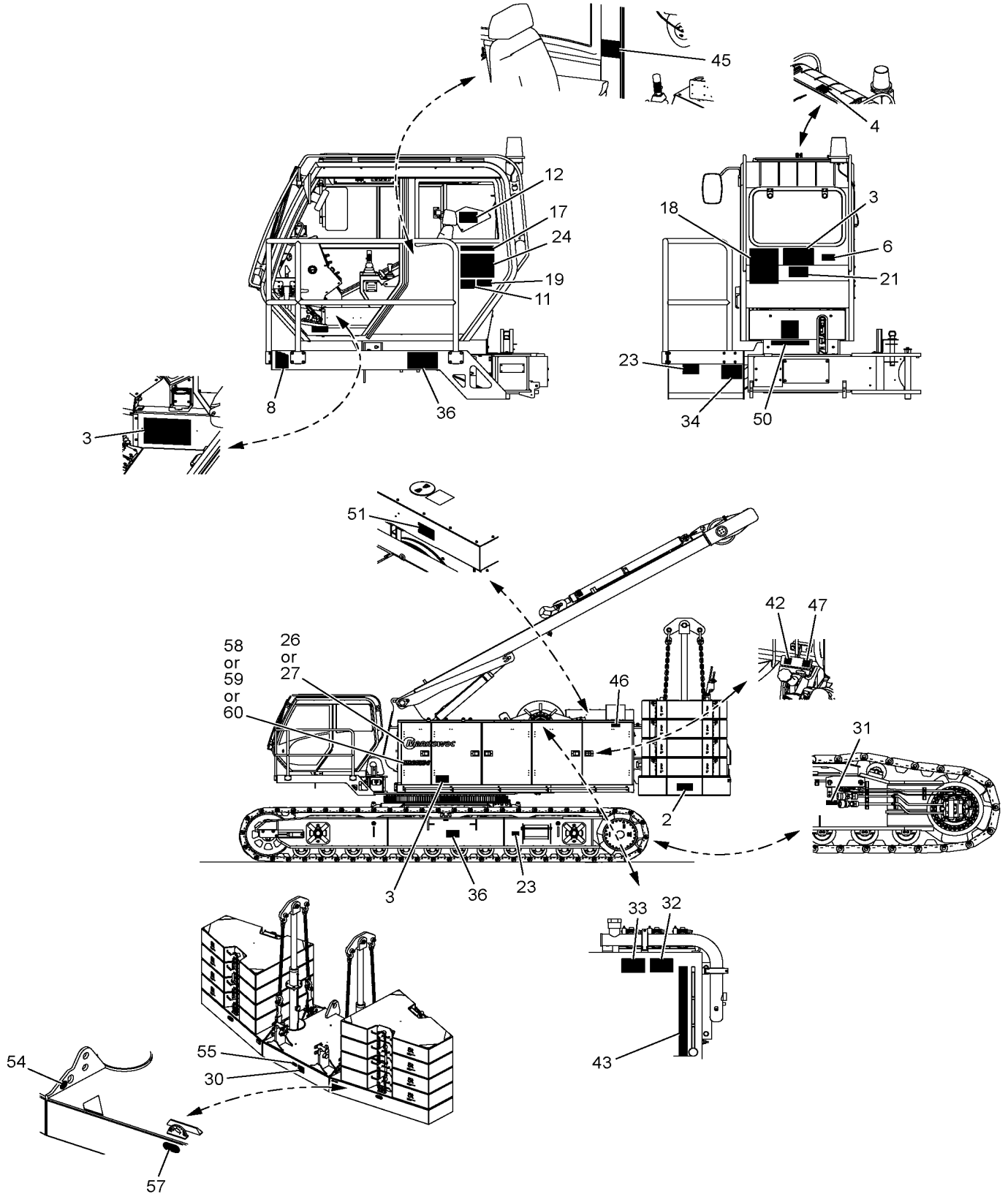


C



B

Manitowoc Cranes



81040706

(SHEET 2 OF 3)

Page 269

Manitowoc Cranes

Description

DECAL ENGLISH - TIER 4F

Assembly No.

810407066

Revision: **F**

Item	FN	Part	Qty	Description
118		7376102946	2	DECAL-WARNING ULTRA LOW SULFUR
119		80021901	1	PANEL-ULTRA LOW SULFUR DIESEL
120		810276880	1	DECAL
121		810276890	1	DECAL

Manitowoc Cranes

Description

VALVE ASSY QUICK DRAIN

Assembly No.

810249430

Revision: **C**

Item	FN	Part	Qty	Description
1		3453370	1	CLAMP, WORM DRIVE
2		810249410	1	HOSE
3		810249470	1	FITTING, ADAPTER STRAIGHT QUIC

Manitowoc Cranes

Description

MAST ASSY W/O LIFTING LUGS

Assembly No.

81024327

Revision: **B**

Item	FN	Part	Qty	Description
1		810206210	2	PLATE
2	+	810242980	9	SHEAVE ASSY 21.85 DIA
3		810243732	1	MAST WELDMENT, LIVE W/O LUGS
4		81024378	1	SHAFT 130.0X1632.0
5		81027373	4	BUSHING 110.0 OD X 100.0 ID X
6		81028811	4	LINK ASSY MAST
		81024411	1	INCLUDES THE FOLLOWING PARTS BUSHING 145.0 OD X 130.0 ID X
7		81031886	2	SPACER 160.0 OD X 131.0 ID X 8
8		81034263	2	SPACER 165.1 OD X 130.5 ID X 8
9		7126211453	8	HHCS M12X35 8.8 FLZN ISO 4017

+ SEE FURTHER BREAKDOWN THIS GROUP

Manitowoc Cranes

Notes

Manitowoc Cranes

Description
Q DISCON FITTING

Assembly No.
810121640
Revision: **B**

Item	FN	Part	Qty	Description
1		90021802	1	KIT, CARTRIDGE

Manitowoc Cranes

Description

DRUM FRONT W/O FF

Assembly No.

81023657

Revision: **B**

Item	FN	Part	Qty	Description
1		5621480	2	PIN COTTER 3/8 DIA X 2.25 LG
2		5621510	4	PIN, COTTER
3		81020552	2	PIN 2 HOLE
4		810230592	1	GUARD DRUM
5		810236442	2	SPACER 50.0 OD X 22.0 ID X 9.5
6		810236452	2	PIN (NO HOLES) 50.0 DIA X 210
7	+	810246711	1	PAWL ASSY
8	+	81031249	1	DRUM ASSY W/O FF
9		810360742	2	SHIM 50.8 ID X 100 OD X 1.5 TH
10		810360752	2	SHIM 50.8 ID X 100 OD X 2.7 TH
11		810360762	4	SHIM 50.8 ID X 100 OD X 6.0 TH
12		810360772	2	SHIM 50.8 ID X 100 OD X 9.5 TH
13		7126211253	3	HHCS M12X25 8.8 FLZN ISO 4017
14		7951210014	3	F WASHER 12 -ST ISO 7089
15	+	84019080	1	HYD LINE INSTL W/O FREEFALL FD

+ SEE FURTHER BREAKDOWN THIS GROUP

Manitowoc Cranes

Description

DRIVE PLANETARY

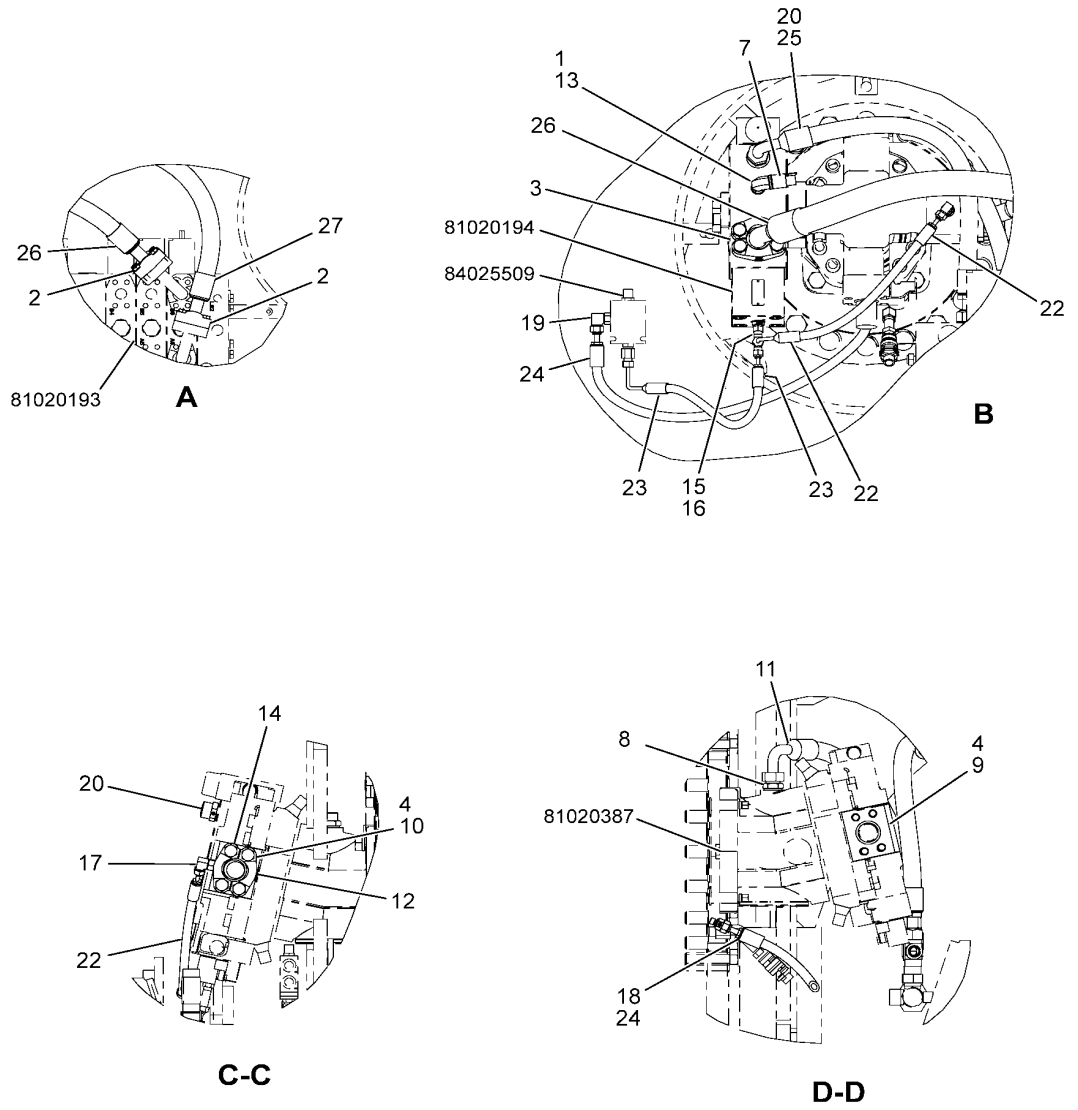
Assembly No.

81020253

Revision: **F**

Item	FN	Part	Qty	Description
1		90025935	1	SHAFT, DRIVE
2		90025936	1	RING, RETAINING
3		90025937	1	RING, SNAP
4		90025938	10	BEARING, ROLLER
5		90025939	10	RING, RETAINING
6		90025940	5	RING, RETAINING
7		90025941	1	SEAL, FACE
8		90025942	5	RING, RETAINING
9		90025943	1	RING, RETAINING
10		90025944	1	NUT, SHAFT
11		90025945	1	BEARING, TAPERED ROLLER
12		90025946	1	BEARING, TAPERED ROLLER
13		90025947	1	O-RING
14		90025948	1	RING, RETAINING
15		90025949	1	RING, RETAINING
16		90025950	1	RING, RETAINING
17		90025951	12	DISK, OUTER
18		90025952	11	DISK, INNER
19		90025953	2	RING, THRUST
20		90025954	1	RING, QUAD
21		90025955	1	RING, QUAD
22		90025956	2	RING, THRUST
23		90025957	1	O-RING
24		90025958	3	BEARING, ROLLER
25		90025959	3	RING, RETAINING
26		90025960	1	RING, RETAINING
27		90025961	1	O-RING
28		90025962	6	RING, SEAL
29		90025963	3	BEARING, ROLLER
30		90025964	3	RING, RETAINING
31		90025965	6	WASHER, FRICTION
32		90025966	6	RING, RETAINING
33		90025967	1	BEARING, BALL

Manitowoc Cranes



Manitowoc Cranes

Description

VALVE COUNTERBALANCE

Assembly No.

81020194

Revision: **G**

Item	FN	Part	Qty	Description
1		90026174	2	O-RING

Manitowoc Cranes

Description

MOTOR HYDR PISTON VARIABLE

Assembly No.

81020386

Revision: **A**

Item	FN	Part	Qty	Description
1		90025801	1	KIT, SEAL (ROTARY GROUP)
2	+	90025802	1	ROTARY GROUP INCLUDES ITEMS 6 - 10
3		90025810	1	PORT PLATE WITH ACCESSORIES INCLUDES ITEMS 13 - 16
4		90025814	1	CONTROL PART INCLUDES ITEMS 17 - 23
5		90025821	1	COVER COMPLETE INCLUDES ITEMS 24 - 30
6		90025803	1	ROTARY GROUP, HYDR. SECTION INCLUDES ITEMS 11 AND 12
7		90025806	1	DRIVE SHAFT (WITH RING GEAR)
8		90025807	1	RING, RETAINING
9		90025808	1	BEARING, TAPERED ROLLER
10		90025809	1	BEARING, TAPERED ROLLER
11		90025804	1	CYLINDER
12		90025805	7	PISTON (WITH PISTON RINGS)
13		90025811	1	PISTON, POSITIONING
14		90025812	1	PISTON (WITH PISTON RINGS)
15		9794220057	3	O-RING
16		90025813	2	VALVE, CHECK
17		90025815	1	PISTON, CONTROL
18		90025816	1	O-RING
19		90025817	1	RING, RETAINING
20		90019627	5	PLUG
21		90025818	1	SOLENOID, PROPORTIONAL
22		90025819	1	PISTON, CONTROL
23		90025820	1	O-RING
24		90025823	1	COVER
25		90025824	4	SCREW, SOCKET HEAD
26		90025756	1	O-RING
27		90025825	1	SCREW, LOCKING
28		90025826	1	PIN, THROTTLE
29		90025827	1	SCREW, THROTTLE
30		90025828	1	SCREW, THROTTLE

+ SEE FURTHER BREAKDOWN THIS GROUP

Manitowoc Cranes

Description
VALVE FREE FALL

Assembly No.
810252650
 Revision: **F**

Item	FN	Part	Qty	Description
1		NSS	4	NOT SERVICED SEPARATELY
2		NSS	4	NOT SERVICED SEPARATELY
3		NSS	10	NOT SERVICED SEPARATELY
4		NSS	1	NOT SERVICED SEPARATELY
5		90025674	1	VALVE ASSY. CART
		9926106537	1	INCLUDES THE FOLLOWING PARTS KIT, SEAL
6		810232660	3	COIL, 24 VDC
7		90045209	1	ROD
8		90042102	1	VALVE, RELIEF
		9752101272	1	INCLUDES THE FOLLOWING PARTS KIT, SEAL
9		9926112677	2	VALVE, CARTRIDGE
		9926106806	1	INCLUDES THE FOLLOWING PARTS KIT, SEAL
		9926104116	1	NUT
10		810232670	1	VALVE CHECK
		90045201	1	INCLUDES THE FOLLOWING PARTS KIT SEAL
11		90045208	1	KNOB

Manitowoc Cranes

Description

DRUM BOOM HOIST ASSY

Assembly No.

810236491

Revision: **B**

Item	FN	Part	Qty	Description
1		1951952	4	PLATE
2		81020168	4	PIN (NO HOLES)
3	+	810244781	1	DRUM BOOM HOIST ASSY
4		810246742	1	GUARD WELDMENT
5	+	810264701	1	PAWL ASSY
6		7126211353	11	HHCS M12X30 8.8 FLZN ISO 4017
7		7126241653	2	CAP SCREW, M16 X 45MM HEX HEAD
8		7661240003	2	HEX NUT M16
9		7951210014	11	F WASHER 12 -ST ISO 7089
10		7951210220	8	L WASHER 12 -HRC44-51 DIN 127
11		81042465	2	ADHESIVE TAPE ABRASION RESISTA

+ SEE FURTHER BREAKDOWN THIS GROUP

Manitowoc Cranes

Description

VALVE, COUNTERBALANCE

Assembly No.

81020310

Revision: D

Item	FN	Part	Qty	Description
1		90025746	2	VALVE INCLUDES ITEM 18
2		90025747	1	SHUTTLE VALVE
3		90025748	1	BRAKE PISTON INCLUDES ITEM 19
4		90025749	1	BRAKE RELEASE VALVE INCLUDES ITEM 20
5		90025751	1	COVER
6		90025752	1	COVER
7		90025753	2	SCREW, SOCKET HEAD
8		90025754	1	PLUG
9		90025755	2	O-RING
10		90025756	2	O-RING
11		90025757	2	O-RING
12		90025758	1	SCREW, LOCKING
13		90025759	2	SCREW, LOCKING
14		90019627	1	PLUG
15		90025760	4	SCREW, SOCKET HEAD
16		90025761	4	SCREW, SOCKET HEAD
17		90025764	1	KIT, SEAL INCLUDES ITEMS 9, 10, 11, 18 AND 20
18		90025762	1	O-RING
19		90025750	2	THROTTLE PIN
20		90025763	1	O-RING

Manitowoc Cranes

Description
LUBE SYSTEM, TURNTABLE BEARING

Assembly No.
810309331
Revision: F

Item	FN	Part	Qty	Description
1		2888300	1	PIPE, HEX BUSHING
2		4285750	6	FITTING, 90 DEG ELBOW
3		4290100	1	FITTING LUBE, NPT .25
4		4299360	1	FITTING
5		6670070	10	STRAP
6	+	810221050	1	VALVE ASSY 6 BANK .125 NPTF
7		810223760	1	TUBE ROUND
9		810223770	1	TUBE ROUND
11		810223780	1	TUBE ROUND
12		810223790	1	TUBE ROUND
15		810339050	1	HOSE ASSY GREASE PIPE 40.0 LG
16		7126151753	2	CAP SCREW,M6X50 -8.8 ISO 4017
19		7661150804	2	HEX LOCK NUT PA
21		7951150014	4	F WASHER 6 -ST ISO 7089
24		A172800	12	BOOT
26		A181690	2	CLAMP TUBE
28		810268970	1	TUBE ROUND
29		810269320	1	TUBE ROUND
30		7445040250	1	BUSHING, REDUCER
31		7445040453	1	ELBOW, 90 DEGREE
32		3490360	10	CLIP, CORD

+ SEE FURTHER BREAKDOWN THIS GROUP

Manitowoc Cranes

Description

MOD DOME LIGHT SWITCH

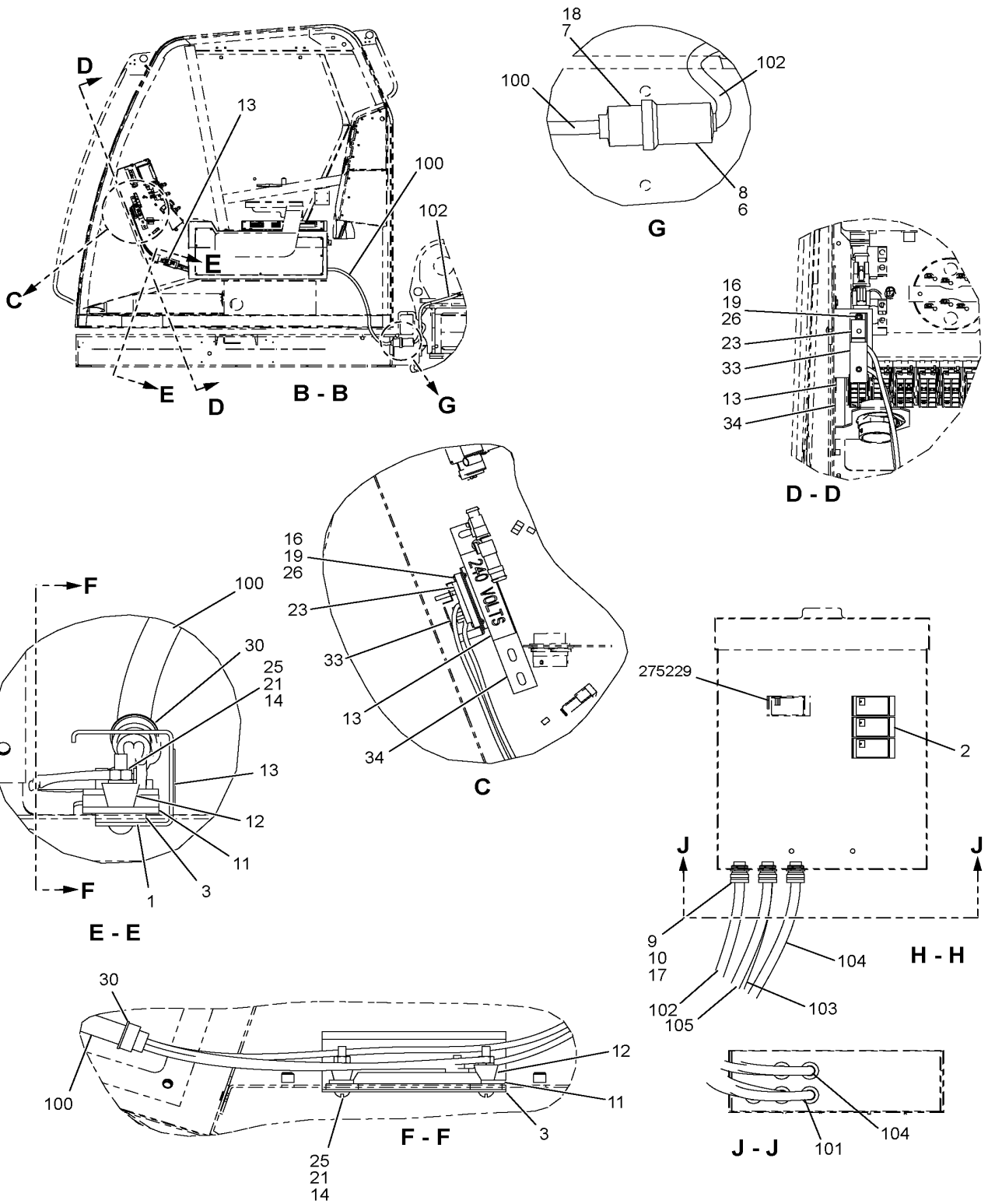
Assembly No.

84034595

Revision: **A**

Item	FN	Part	Qty	Description
1		6670060	15	STRAP
2		6807100	1	TERMINAL
3		810175730	2	TERMINAL
4		810214650	1	SWITCH ROCKER
5		84022974	1	HEAT SHRINK TUBING 16/4
6		7364100184	1	CONNECTOR, L-SERIES SWITCHES
7		7709100903	1	PLUG, DTM06-2S
8		A181400	4	TERMINAL FEMALE METRI-PACK 630
9		A181410	3	TERMINAL FEMALE METRI-PACK 630
50		2971890	1	CABLE
51		810151500	8	CABLE WIRE XLPE 16AWG TXL BLAC
52		810151510	9	CABLE WIRE XLPE 16AWG TXL RED
53		A202860	1	CABLE ELEC

Manitowoc Cranes



Manitowoc Cranes

Description
SWITCH CAB TILT

Assembly No.
84027204
Revision: **A**

Item	FN	Part	Qty	Description
1		7872100188	1	SWITCH, CAB TILT

Manitowoc Cranes

Description BOX JUNCTION ASSY				Assembly No. 810241640 Revision: B
Item	FN	Part	Qty	Description
1		2361430	1	FUSE BLOCK
2		5725230	2	PLUG SEALING
3		6806880	8	TERMINAL
4		6807150	10	TERMINAL, SLIP-ON NON-INSUL W/
5		6808230	2	TERMINAL
6		6808260	10	TERMINAL FEMALE
7		810008490	1	TERMINAL
8		810185870	11	PHIL RMS, 10-32 X 0.50 SS
9		4526850	1	FUSE
10		4526860	2	FUSE
11		810247150	5	RELAY
12		810247160	1	DECAL AFTERTREATMENT LC
13		810247170	1	JUNCTION BOX HOLE LAYOUT AFTER
14		810247180	1	PANEL ELEC AFTERTREATMENT JUNC
15		810248380	1	DECAL AFTERTREATMENT JUNCT
16	#	7826000109	5	SOCKET, RELAY
17		7950100053	11	L WASHER **USE 7103010**
18		A006730	12	TERMINAL
19		A178030	1	RECEPTACLE 14 PIN
20		5469670	1	NUT PANEL
21		7114320	1	WASHER
50		810151500	1	CABLE WIRE XLPE 16AWG TXL BLAC PART NOT SHOWN
51		810151510	1	CABLE WIRE XLPE 16AWG TXL RED PART NOT SHOWN

SERVICED AS AN ASSEMBLY ONLY

Manitowoc Cranes

Description

PUMP HYDR PISTON VARIABLE

Assembly No.

81020390

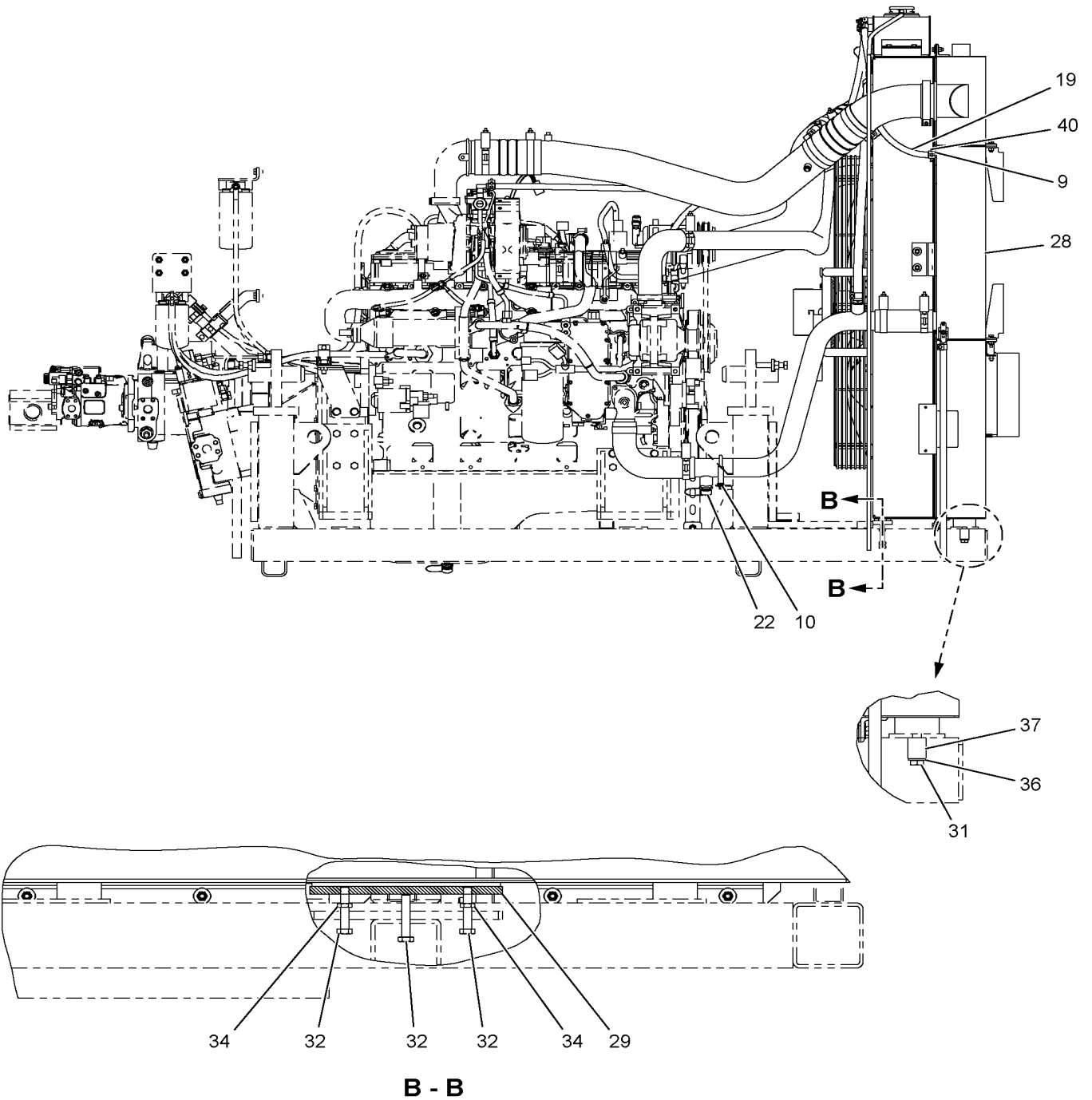
Revision: D

Item	FN	Part	Qty	Description
1		90024038	1	HYDRAULIC SECTION INCLUDES ITEMS 20 AND 21
2		90025988	1	PISTON, CONTROL
3		910545	1	SHAFT DRIVE
4		90025989	1	SCREW, LOCKING
5		90025991	1	SPRING
6		910556	1	ADJUSTING DISC
7		90016896	1	RING, SPACER
8		910540	1	BEARING-TAPERED ROLLER
9		910557	1	BEARING TAPERED ROLLER
10		910536	1	SEAL-SHAFT
11		90014753	1	O-RING
12		90016890	1	SEAL RING
13		9632103189	1	RING, RETAINER
14		90025992	4	SCREW, SOCKET HEAD
15		90025897	1	PLUG, DOUBLE BREAK OFF
16		90025993	1	SCREW, LOCKING
17		90025994	1	CONTROL VALVE INCLUDES ITEMS 22 - 24
18		90023848	1	COVER, FLANGE INCLUDES ITEMS 25 AND 26
19		90023851	1	COVER, FLANGE INCLUDES ITEMS 27 AND 28
20		90025986	1	CYLINDER GROUP
21		9632102095	9	PISTON
22		90025995	1	CONTROL VALVE
23		90015773	1	GASKET
24		90015774	4	SCREW, SOCKET-HEAD
25		90023849	1	COVER, FLANGE
26		90023850	4	SCREW
27		90023852	1	COVER, FLANGE
28		90025996	4	SCREW, HEX

Manitowoc Cranes

<u>Description</u> PUMP HYDR PISTON VARIABLE				Assembly No. 81020226 Revision: G
Item	FN	Part	Qty	Description
1		90025866	1	PUMP, DOUBLE (VARIABLE) INCLUDES ITEMS 6-20
2		90025884	1	CONTROL
3		90025919	1	FLANGE WITH ACCESSORIES
4		90025924	1	PORT PLATE WITH VALVES
5		90025929	1	HYDRAULIC LINE, COMPLETE
6		90025869	2	CYLINDER
7		90025870	14	PISTON (WITH PISTON RINGS)
8		90025871	1	SHAFT, DRIVE
9		90025786	2	RING, RETAINING
10		90025872	2	BEARING UNIT, TAPERED ROLLER
11		90025873	2	BEARING, TAPERED ROLLER
12		90025875	1	SHAFT, DRIVE
13		90025876	1	COVER
14		90025877	1	RING, RETAINING
15		90025878	1	RING, SHAFT SEAL
16		90025879	1	O-RING
17		90025880	1	SCREW, LOCKING
18		90025881	3	SCREW, LOCKING
19		90025882	2	BEARING, ROLLER
20		90025883	1	KEY, SHAFT
21		90025885	2	COVER
22		90025889	1	CONTROL MODULE
23		90025915	1	GASKET
24		90025916	2	PISTON, POSITIONING
25		90025917	2	PISTON
26		90025918	4	RING, SEALING
27		90025920	1	O-RING
28		90025921	1	BEARING, BALL
29		90025922	1	BEARING, BALL
30		90025923	1	GASKET
31		90025925	1	PISTON, VALVE
32		90027217	1	SHIM
33		90027220	1	WASHER
34		90025926	2	O-RING
35		90025927	1	O-RING
36		90025928	2	VALVE, PRESSURE REDUCING
37		90025930	2	FITTING
38		90025931	2	O-RING

Manitowoc Cranes



CLICK HERE TO **DOWNLOAD** THE COMPLETE MANUAL

- Thank you very much for reading the preview of the manual.
- You can download the complete manual from: www.heydownloads.com by clicking the link below



- Please note: If there is no response to CLICKING the link, please download this PDF first and then click on it.

CLICK HERE TO **DOWNLOAD** THE COMPLETE MANUAL

Manitowoc Cranes

Description

EXHAUST SYS DEF SYSTEM INST

Assembly No.

810283441

Revision: E

Item	FN	Part	Qty	Description
2		3456850	4	CLAMP TUBE
3		80018088	1	DEF SUCTION HOSE ASSY 2m
4		80018089	1	DEF THROTTLE HOSE ASSY 2m
5		80018090	1	DEF PRESSURE HOSE ASSY 3m
6		810219330	1	TANK FUEL ASSY
7		810223142	1	BRACKET
8		810223152	4	BRACKET
9		810283982	1	BRACKET
10		7126171153	4	HHCS M8X20 8.8 ISO 4017
12		7127191550	2	CAP SCREW, M10X40 HEX HEAD
13		7659190023	3	NUT, RETAINING
14		7661190804	2	HEX LOCK NUT M10
15		7951170014	7	F WASHER 8 -ST ISO 7089
16		7951170210	4	L WASHER
17		7951190014	4	F WASHER 10 200HV FLZN 7089
18		7126172650	3	HHCS M8x100 -8.8 ISO 4014
19		3455150	4	CLAMP, TUBE

Manitowoc Cranes

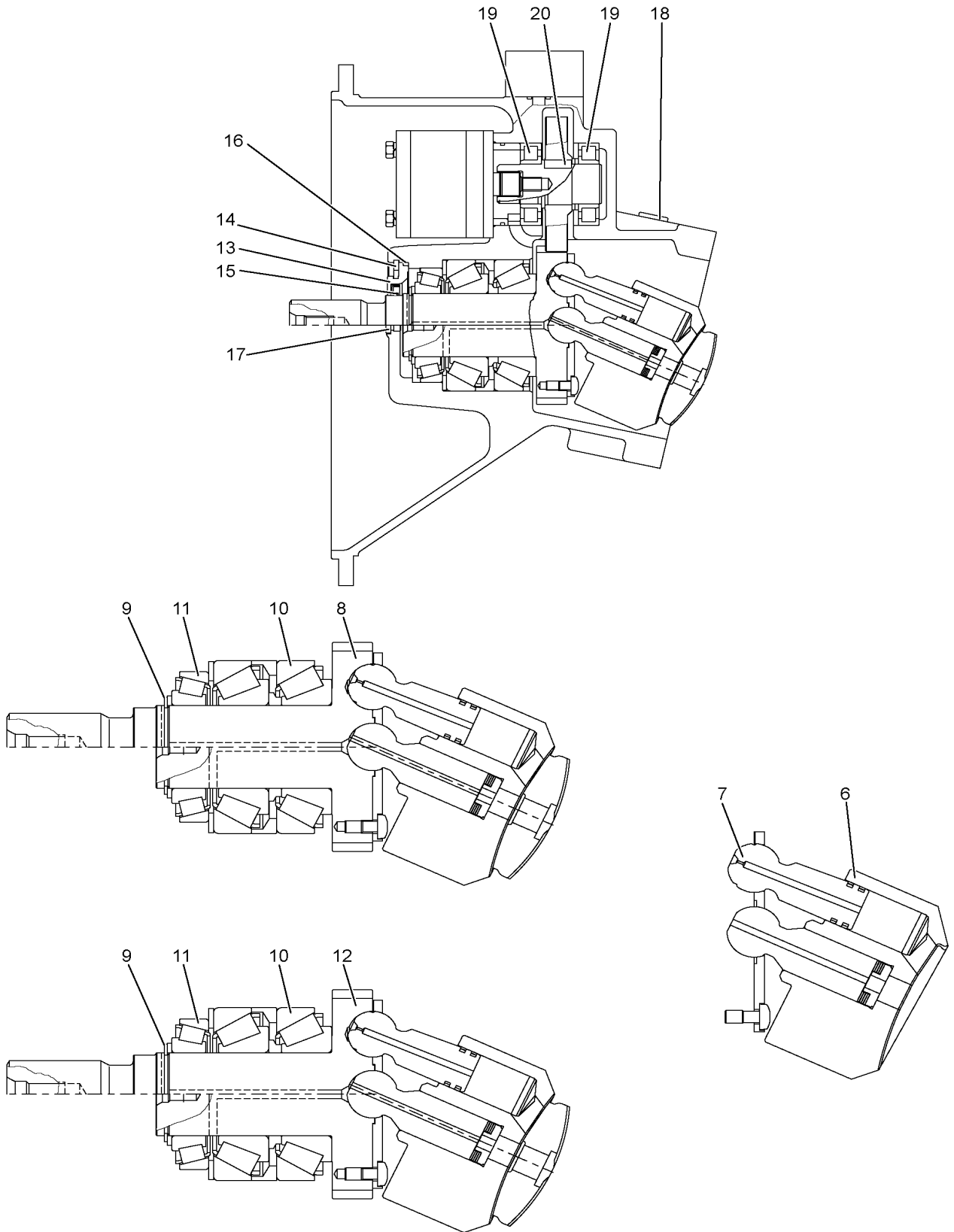
Description
CLEANER AIR ASSY

Assembly No.
810341271
 Revision: **A**

Item	FN	Part	Qty	Description
1		3453420	1	CLAMP
2		3454900	2	CLAMP
3		3456030	1	CLAMP, HOSE T-BOLT
4		4296580	2	FITTING, ADAPTER STRAIGHT
5		4894000	1	INDICATOR
6		810054840	1	HOSE
7		810118730	1	INDICATOR SERVICE
8		810129670	1	FITTING ADAPTER 90 DEG
9		810166480	1	HOSE
10		810214150	1	CLAMP TBOLT
11		810334132	1	CLEANER AIR, PRECLEANER
12		810334152	1	TUBE PREFORMED
13	+	810339410	1	AIR CLEANER INSTL
14		810339432	1	BRACKET
15		810341280	1	TUBE PREFORMED
16		7126151153	2	HHCS M6X20 SS ISO 4017
17		7126191153	8	HHCS M10X20 8.8
18		7661150803	2	NUT NYLOC M6
19		7951150014	4	F WASHER 6 -ST ISO 7089
20		7951190014	8	F WASHER 10 200HV FLZN 7089
21		A022930	1	REDUCER RUBBER
22		A029990	1	FITTING ADAPTER SPECIAL

+ SEE FURTHER BREAKDOWN THIS GROUP

Manitowoc Cranes



Manitowoc Cranes

Description

PUMP DRIVE, W/O FREE FALL

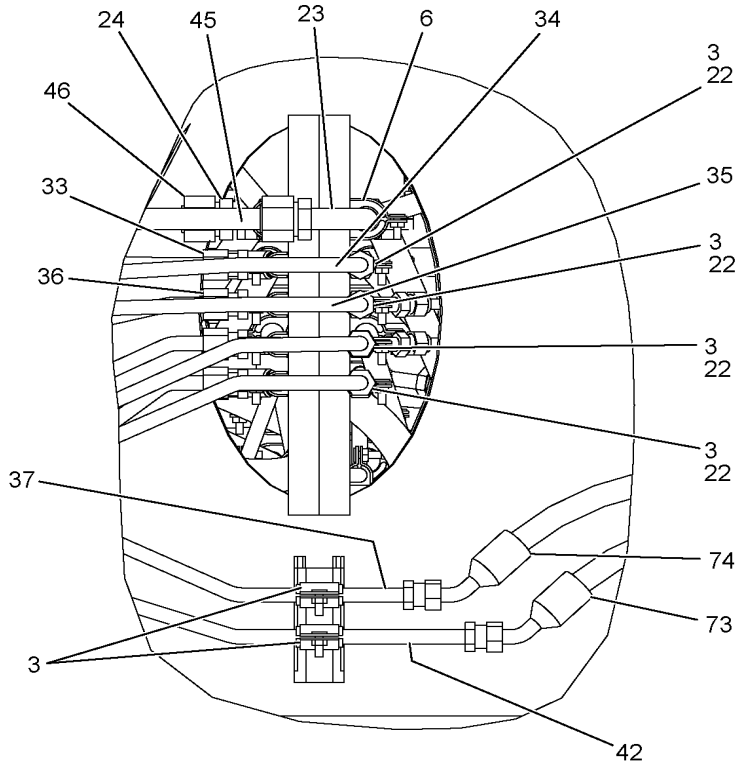
Assembly No.

810284603

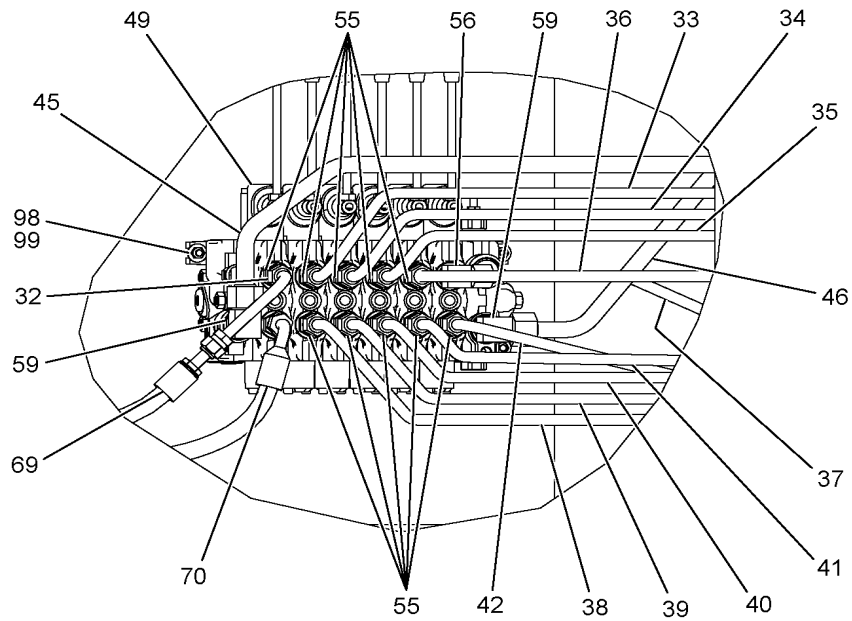
Revision: **G**

Item	FN	Part	Qty	Description
200		810213410	1	COVER, PUMP PAD

Manitowoc Cranes



H



J

Manitowoc Cranes

Description
Q DISCON FITTING

Assembly No.
810039130
Revision: **B**

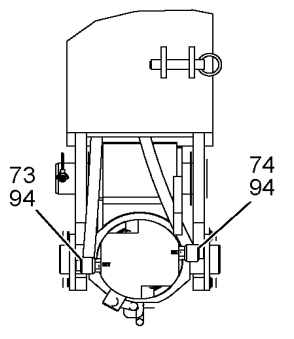
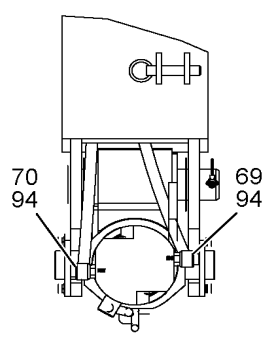
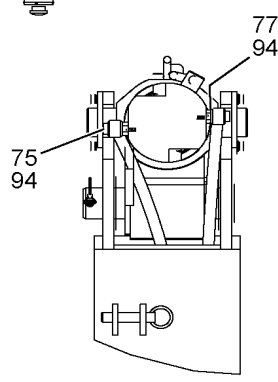
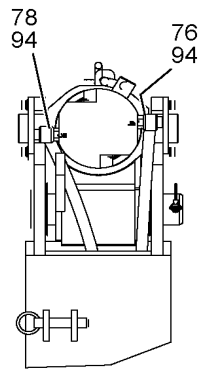
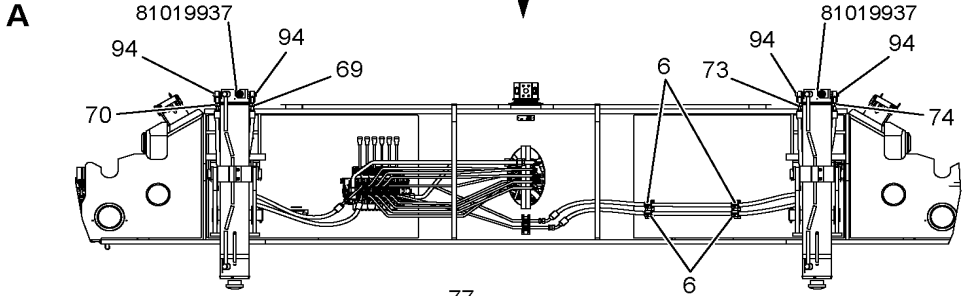
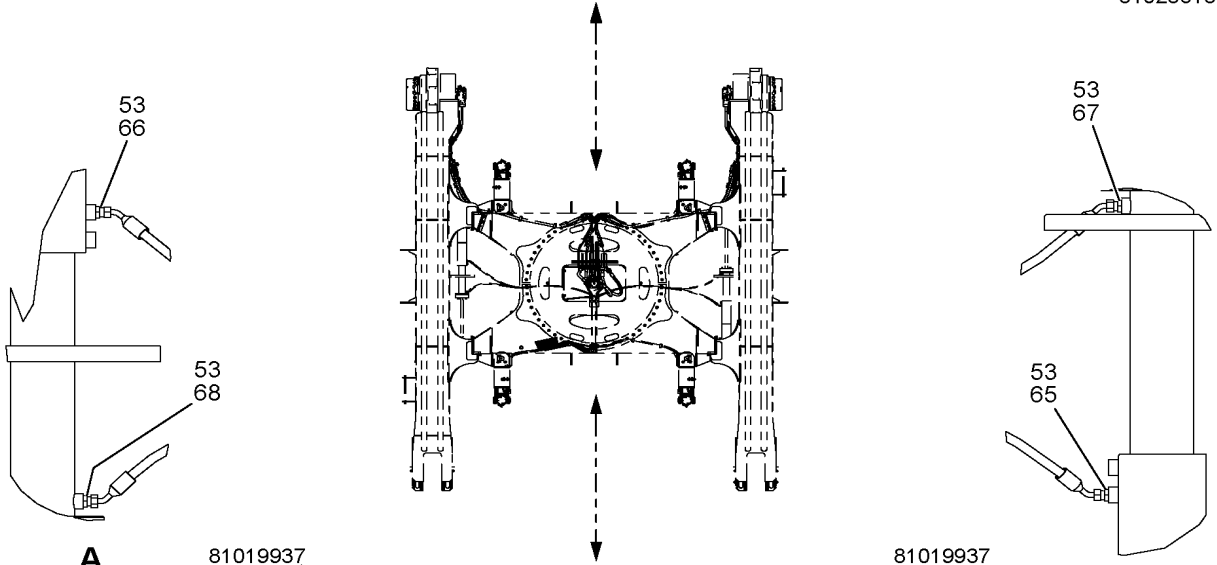
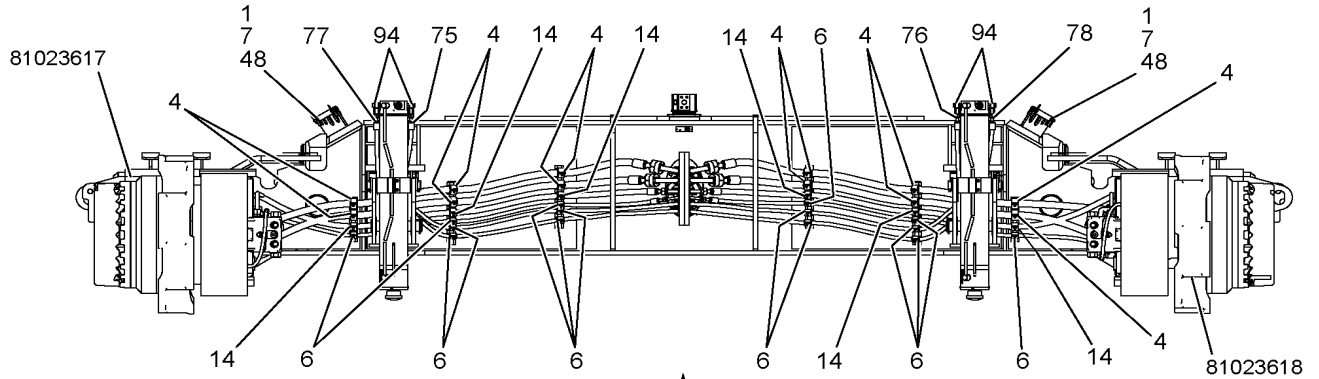
Item	FN	Part	Qty	Description
1		810120130	1	REPAIR KIT F

Manitowoc Cranes

<u>Description</u> CRAWLER ASSY LEFT				Assembly No. 810236171 Revision: H
Item	FN	Part	Qty	Description
1		0735622	18	SHIM
2		1370872	2	WASHER
3		1703889	2	BOLT FRONT IDLER
4		1707742	4	SHIM
5		4290100	2	FITTING LUBE, NPT .25
6		5471130	2	HEX NUT
8		5621540	4	PIN COTTER
9		5717040	2	PLUG, PIPE
10		6223830	2	OIL SEAL
12		7689000014	2	PIN
13		81021133	108	PIN CRAWLER TREAD
14	+	810216742	1	ROLLER FRONT ASSY
15		81021705	1	SHAFT ROLLER
16		810236192	1	CRAWLER
19		810276370	6	PIN QUICK RELEASE
20		810278322	2	PIN 2 HOLE
21		810283382	1	BRACKET
22		810283402	1	COVER TRAVEL MOTOR LEFT
23		810283412	4	COLLAR
24	+	810292130	12	ROLLER ASSY
25		810300692	2	SPACER
27		810316652	2	BRACKET
28		810316662	1	COVER
29		810339312	2	COVER
30		83004661	54	TREAD
31		7126211353	13	HHCS M12X30 8.8 FLZN ISO 4017
32		7127241453	108	CAP SCREW, M16 X 35MM HEX HEAD
33		7127292553	48	HHCS FULL THREAD
34		7661240803	108	NUT M16
35		7951210014	13	F WASHER 12 -ST ISO 7089
37		A030330	4	PIN, DOWEL ROLL
38		810224591	2	CRAWLER ASSY
39		81041711	1	STEP
40		5638230	2	PIN SAFETY
41		7951210210	5	LOCK WASHER, 12MM I.D.

+ SEE FURTHER BREAKDOWN THIS GROUP

Manitowoc Cranes



Manitowoc Cranes

Description
CRAWLER - PUMP KIT

Assembly No.
810236172
Revision: **D**

Item	FN	Part	Qty	Description
1		7103090	1	L WASHER MEDIUM

Manitowoc Cranes

Description
ROLLER FRONT ASSY

Assembly No.
810216742
Revision: **A**

Item	FN	Part	Qty	Description
1		1703732	2	BUSHING
2		6201400	2	DOWEL, SCREW
3		81021704	1	ROLLER, FRONT CRAWLER

Manitowoc Cranes

Description
JACK CYLINDER

Assembly No.
3856530
Revision: R

Item	FN	Part	Qty	Description
1		9372220367	1	SPRING
2		3854495	1	KIT, PACKING PART NOT SHOWN

Manitowoc Cranes

Description
DRIVE CRAWLER ASSY

Assembly No.
810236211
Revision: **C**

Item	FN	Part	Qty	Description
2		83004659	2	TUMBLER
3		7128342654	60	SHCS
4		7128343754	60	SCR SKT HD M30-3.5 X 220 12.9

Manitowoc Cranes

Notes

Manitowoc Cranes

Description
Q DISCON FITTING

Assembly No.
810039140
Revision: B

Item	FN	Part	Qty	Description
1		810120120	1	KIT, SEAL
2		90021777	1	KIT, CARTRIDGE

Manitowoc Cranes

Description
DRIVE SWING ASSY

Assembly No.
810201592
Revision: E

Item	FN	Part	Qty	Description
4	+	810253830	1	GEARBOX ASSEMBLY

+ SEE FURTHER BREAKDOWN THIS GROUP

Manitowoc Cranes

Description
GEARBOX ASSEMBLY

Assembly No.
810253830
Revision: B

Item	FN	Part	Qty	Description
1		90038082	1	PINION
2		90038083	1	BEARING
3		90038084	1	BEARING
4		90038085	4	O-RING
5		90038074	4	O-RING
6		90038064	4	O-RING
7		90038065	8	STEEL DISC
8		90038066	7	BRONZE DISC
9		90038067	1	BEARING
10		90038068	1	SNAP RING, INTERNAL
11		90038069	1	SNAP RING, EXTERNAL
12		90022037	2	O-RING, JOINT
13		90038071	1	O-RING
14		90038072	1	O-RING

Manitowoc Cranes

Description
BUTT ASSY

Assembly No.
81023605
Revision: F

Item	FN	Part	Qty	Description
1		5460500	2	NUT, HEX
2		5620890	4	PIN COTTER
3		5636400	4	SAFETY PIN
4		5638230	4	PIN SAFETY
5		6177650	2	SLOT RMS
6		7092030	2	F WASHER
7		810160370	2	PIN HITCH
8		81023606	1	BUTT WELDMENT
9	+	810236081	1	HYD LINES INSTL BOOM BUTT
10	+	81026702	1	GUIDE WIRE ROPE ASSY
11		810267662	2	PIN 2 HOLE
12		81031888	2	PIN 2 HOLE
13	+	81036421	1	CATWALK ASSY 6.0 M #74A BUTT
14		81037754	2	STRUT WELDMENT
15	+	81038768	2	STOP ASSY #74A BOOM
16		81039079	1	ANGLE INDICATOR
17		83009091	4	PIN 1 HOLE W/HD
18		81040159	1	PLATE 30.0X430.0X80.0
19		7950080050	2	LOCKWASHER, 5/32" I.D.

+ SEE FURTHER BREAKDOWN THIS GROUP

Manitowoc Cranes

Description
Q DISCON FITTING

Assembly No.
810039140
Revision: B

Item	FN	Part	Qty	Description
1		810120120	1	KIT, SEAL
2		90021777	1	KIT, CARTRIDGE

Manitowoc Cranes

Description
GUIDE WIRE ROPE ASSY

Assembly No.
81026702
 Revision: **C**

Item	FN	Part	Qty	Description
1		1722772	4	PIN
2		5638230	8	PIN SAFETY
3		81042436	1	FRAME ROPE GUIDE MACHINING
4		81020265	2	GUARD WIRE ROPE
5	+	1721697	2	SHEAVE 24 DIA, 1 INCH ROPE
6		81039077	2	TUBE RD 1 PC 1 DRWG 81039077

+ SEE FURTHER BREAKDOWN THIS GROUP

Manitowoc Cranes

Description
INDICATOR ASSY BOOM A

Assembly No.
A080822
Revision: B

Item	FN	Part	Qty	Description
1		1687742	1	PIN, (NO HOLES) WITH HEAD
2		1687752	1	PLATE
3		1687762	1	GUARD
4		1687782	1	PLATE
5		2241950	1	BEARING, BALL
6		7121110501	6	SCREW, PAN MACH SLOTTED
7		7126150653	4	SCREW, HEX CAP FULL THREAD
8		7126191553	3	HHCS M10x40 -8.8 ISO 4017
9		7661190003	3	NUT, HEX 10MM
10		7951110220	6	WASHER, LOCK
11		7951150220	4	L WASHER
12		7951190220	3	L WASHER 10
13		A095282	1	BASE

Manitowoc Cranes

Description
SHEAVE BANK ASSY

Assembly No.
81028334
Revision: **A**

Item	FN	Part	Qty	Description
1	+	81021543	2	SHEAVE WIRE ROPE ASSY
2		81037595	1	SHAFT
3		81037597	2	PLATE MOUNTING
4		81037599	2	SPACER
5		7127191355	8	SFHS M10X30 10.9 ISO 10642

+ SEE FURTHER BREAKDOWN THIS GROUP

Manitowoc Cranes

Description
TOP ASSY

Assembly No.
81023609
Revision: **D**

Item	FN	Part	Qty	Description
1		5638230	4	PIN SAFETY
2		810088290	1	SIGN BOOM MANITOWOC 790 X 3070
3		81023610	1	TOP WELDMENT
4	+	81023611	1	BOOM POINT LOWER ASSY
5		81026420	1	TIMBER
6		81026582	2	BRACKET
7		81026588	4	PLATE 1 PC 1 DRWG 81026588
8		81026590	2	BRACKET
10		81031888	2	PIN 2 HOLE
12		7121171301	32	SLOT PMS
13		7126191750	8	HHCS M10x50 -8.8 ISO 4014
14		7126192550	4	CAP SCREW, M10 X 90MM HEX HEAD
15		7661170004	32	NUT, HEX - 8MM
16		7661190803	12	HEX LOCK NUT M10 -8 ISO 7040
17		7951170210	32	L WASHER
18		7951190014	24	F WASHER 10 200HV FLZN 7089

+ SEE FURTHER BREAKDOWN THIS GROUP

Manitowoc Cranes

Description

SHEAVE WIRE ROPE ASSY

Assembly No.

81021543

Revision: **C**

Item	FN	Part	Qty	Description
1		2250650	1	BEARING ROLLER
2		5963370	2	RETAINING RING EXT
3		810215450	1	SHEAVE WIRE ROPE

Manitowoc Cranes

Description
SHEAVE WIRE ROPE

Assembly No.
810215462
Revision: **B**

Item	FN	Part	Qty	Description
1		81021544	1	SHEAVE WIRE ROPE ASSY 26MM ROP
2		810216050	1	BEARING, SEALED SHEAVE ROLLER
3		810221330	2	RING RETAINING 4.692 ID X .109

Manitowoc Cranes

Description

SOCKET/WEDGE, 1" (26 MM)

Assembly No.

6462460

Revision: **C**

Item	FN	Part	Qty	Description
1		9826220012	1	SOCKET (1")
2		9914100033	1	PIN W/COTTER
3		9826220014	1	WEDGE (1")
4		7312800000	1	CLAMP

Manitowoc Cranes

Description
SHEAVE ASSY

Assembly No.
1712501
Revision: **F**

Item	FN	Part	Qty	Description
1		2250190	1	BEARING
2		6227720	2	OIL SEAL
3		1703542	1	SHEAVE, 30 IN DIA

Manitowoc Cranes

Description

CATWALK ASSY 3.0 M #74A INSERT

Assembly No.

81036422

Revision: A

Item	FN	Part	Qty	Description
1		810166910	10	WASHER SHOULDER
2		81020522	5	SUPPORT
3		81036432	1	CATWALK 482.6 X 2865.0
4		7115154464	10	C BOLT
5		7660152500	10	HEX LOCK NUT PA 5/16-18UNC SS
6		7950150141	10	F WASHER 5/16"

Manitowoc Cranes

Description

WIRE ROPE ROTATION RESIST

Assembly No.

810238761

Revision: **C**

Item	FN	Part	Qty	Description
1		81023876B	1247	WIRE ROPE ROTATION RESIST 26 M

Manitowoc Cranes

Description
BLOCK HOOK 100T

Assembly No.
2370990
Revision: **FA**

Item	FN	Part	Qty	Description
1		9086220466	1	HOOK W/TRUNION & LOCK
2		7576000491	1	LATCH KIT, SAFETY HOOK
3		9086220199	1	BRACKET, LIMIT
4		90020090	1	SIDE PLATE & DEAD END ASSEMBLY
5		9086220198	1	PIN, RB
6		9086220197	2	PLATE, CENTER DR
7		9086220055	6	WASHER, THRUST
8		9086220051	3	SHEAVE
9		9086220052	3	GUARD ASSEMBLY
10		9086220195	2	BOLT ASSEMBLY
11		90020493	2	NUT
12		90018462	2	BOLT ASSEMBLY
13		9086220069	2	NUT, HEX JAM
14		9086220057	3	BEARING, ROLLER
15		9086100842	2	SCREW, SET
16		90019121	2	NUT
17		9086220037	6	WASHER, LOCK
18		9086220064	2	NUT, STAR
19		9086220072	4	WASHER
20		9086220068	2	SCREW, SOC CAP
21		9086220070	4	SCREW, HEX CAP
22		9053100057	3	FITTING, ZERK GREASE
23		9086220080	1	BEARING, THRUST

Manitowoc Cranes

Description
GUIDE WIRE ROPE

Assembly No.
1793701
 Revision: **A**

Item	FN	Part	Qty	Description
1		1436622	1	PIN 1 HOLE W/HD
2		1438892	2	PIN 1 HOLE W/HD
3		1793442	1	BRACKET SHEAVE
4		5483430	2	NUT, LOCK
5		6124130	1	HHCS
6		6124150	1	HHCS
7		6310940	4	SHEAVE
8		7094600	6	WASHER, FLAT SHIM
9		5620440	3	PIN, COTTER

Manitowoc Cranes

Description
JIB FIXED ASSY

Assembly No.
810224821
Revision: FB

Item	FN	Part	Qty	Description
1		0730459	2	PIN
2		0750522	2	PIN
3	+	0903171	1	UNIV WR ANCHOR JOINT ASSY
4		0903185	1	SHEAVE ASSEMBLY
6		1698102	2	PLATE KEEPER
7		1708512	2	PIN 2 HOLE
8		1767996	1	SHEAVE ASSY
				INCLUDES THE FOLLOWING PARTS
		810078580	1	BEARING ROLLER
		5963370	2	RETAINING RING EXT
		6310980	1	SHEAVE 27"OD 1.125"GR
9		1770549	1	BUTT 15 FT #134 JIB
10		1772192	1	PIN
11		810176762	1	TIMBER
12		1772952	2	LINK CONNECTING
13		1772962	1	LINK
14		1772972	2	LINK
15		1772992	2	LINK
16		1773002	1	SPREADER
17		1773012	2	PIN
18		1773032	2	PIN
19		1773972	2	PIN
20	+	1793321	1	JIB STOP ASSY, #134
21		2774300	2	PENDANT EACH
22		2774320	2	PENDANT EACH
23		2852200	2	BUMPER
24		5621300	2	PIN COTTER
25		5621500	4	PIN COTTER
26		5621520	4	PIN COTTER, 3/8 DIA X 4.00 LG
27		5621540	4	PIN COTTER
28		5638230	4	PIN SAFETY
29		5460540	4	NUT, HEX
30		6124560	4	SCREW, HEX CAP
31		6127150	4	HHCS
32		7103040	4	L WASHER
33		7103080	4	WASHER, LOCK
36		A017972	1	STRUT
37		A018102	1	TOP 15 FT
38		A020662	1	GUARD WIRE ROPE
39		A023702	1	GUARD WIRE ROPE

+ SEE FURTHER BREAKDOWN THIS GROUP

Manitowoc Cranes

Description

BALL ASSEMBLY - 15 TON OVERHAUL(COMPLETE ASSEMBLY)

Assembly No.

2182140

Revision: **FA**

Item	FN	Part	Qty	Description
1		9539220026	4	PIN, COTTER
2		9539220001	1	HOOK & EYE
3		9539220021	2	WASHER, FLAT
4		9539220028	1	BOLT ASSEMBLY
5		9539220002	1	BOLT
6		9539220029	2	PLATE, ADAPTER
7		9539220030	1	SPACER, PIPE
8		9539220033	1	SWIVEL (AS-5)
9		9086220274	2	SLEEVE
10		9822220010	1	SLEEVE, NYLON
11	#	7576001728	1	KIT, SAFETY LATCH
12	+	6462460	1	SOCKET/WEDGE, 1" (26 MM) PART NOT SHOWN

SERVICED AS AN ASSEMBLY ONLY

+ SEE FURTHER BREAKDOWN THIS GROUP

Manitowoc Cranes

Description
LEVER

Assembly No.
1770804
Revision: C

Item	FN	Part	Qty	Description
1		177080001	1	LEVER
2		0700912	1	BUSHING
3		4292590	1	FITTING, GREASE
4		5467630	1	NUT, HEX JAM
5		6124540	1	SCREW, HEX CAP

Manitowoc Cranes

Description
SWITCH ASSEMBLY BLOCK

Assembly No.
1957499
 Revision: **C**

Item	FN	Part	Qty	Description
1		0012042	1	SPRING
2		810152440	1	BOLT, EYE
3		1622712	1	COVER
4		1770762	1	BRACKET
5	+	1770804	1	LEVER
6		810138430	1	CAP, SEAL MINI-FAST/CHANGE REC
7		2528810	1	SCREW, SOCKET SET
8		3636570	1	ELBOW, CONDUIT
9		5896540	1	RECEPTACLE, MALE
10		5386660	1	NAMEPLATE (195749)
11		5434440	1	PIPE, NIPPLE
12		6246330	1	SHACKLE
13		810161270	1	SWITCH, LIMIT
14		7091510	2	WASHER, COPPER
15		6668560	1	STRAP, CABLE TIE, NYLON
16		5467630	2	NUT, HEX JAM
17		810161360	1	SWITCH, LEVER ARM FIXED

+ SEE FURTHER BREAKDOWN THIS GROUP

Manitowoc Cranes

Description
ELECTRIC CONTROL ASSY - OPT 3

Assembly No.
810236013
Revision: D

Item	FN	Part	Qty	Description
302		1680912	1	LUG
303	+	1957499	1	SWITCH ASSEMBLY BLOCK
306		4775620	1	EXTENSION
308		6670070	4	STRAP
309		6670420	12	STRAP-STAY
310		810347192	1	WEIGHT LIMIT SWITCH

+ SEE FURTHER BREAKDOWN THIS GROUP

Manitowoc Cranes

Description

MAST

Assembly No.

80078130

Revision: B

Item	FN	Part	Qty	Description
1	+	810200041	1	ESI MAST
2	+	810208781	1	WIRE ROPE ASSY
3	+	810236301	1	MAST ASSY
4	+	A111261	1	SENSOR ASSY

+ SEE FURTHER BREAKDOWN THIS GROUP

Manitowoc Cranes

Description MAST ASSY				Assembly No. 810236301 Revision: E
Item	FN	Part	Qty	Description
1		2852200	2	BUMPER
2		5620430	2	PIN, COTTER
3		5620860	2	PIN COTTER
4		5621300	4	PIN COTTER
5		5621780	2	PIN COTTER
6		5638230	4	PIN SAFETY
7		5962920	2	RING
8	+	6462450	1	SOCKET/WEDGE, 7/8" (22 MM)
9		7126191053	4	HHCS 10 X 16 8.8
10		7126191353	4	HHCS M10X30 8.8 FLZN ISO 4017
11		7126191853	4	HHCS M10x55 -8.8 ISO 4017
12		7126211453	21	HHCS M12X35 8.8 FLZN ISO 4017
14		7126271453	2	HHCS M20x35 -8.8 ISO 4017
15		7661190803	8	HEX LOCK NUT M10 -8 ISO 7040
16		7951190014	20	F WASHER 10 200HV FLZN 7089
17		7951210014	21	F WASHER 12 -ST ISO 7089
19		7951270014	2	F WASHER 20 -ST ISO 7089
20	+	81019935	2	CYLINDER HYDR ASSY
21		810206332	2	SUPPORT MAST RAISING
22		81020878B	820	WIRE ROPE (BRIDON) 22 MM X 820
23		810211920	2	PIN 1 HOLE W/HD
24		810214030	2	PIN 1 HOLE W/HD
25		810235102	2	BRACKET WELDMENT
27		81024382	4	LINK
28		81024390	2	STRAP
29		81024403	4	LINK 600.0 LG
30		81024404	2	PIN
31		81024405	4	SPACER
33		81026817	1	TUBE RD 88.9 OD X 73.1 ID
34		81026818	1	ROLLER IDLER
35		81027355	2	COLLAR
36		81027356	2	PIN 1 HOLE W/HD
37		81031887	2	BRACKET
38		81031888	2	PIN 2 HOLE
39		81031889	2	BUSHING
40		84020160	2	PIN WITH HEAD 100.0x197.0
42		81031892	2	PIN
43		81031893	2	PLATE KEEPER
44		810329220	12	ROLLER

+ SEE FURTHER BREAKDOWN THIS GROUP

Manitowoc Cranes

Description
ELECTRIC ACCESSORY ASSY

Assembly No.
810261451
Revision: B

Item	FN	Part	Qty	Description
100		5638710	1	PIN, SAFETY
101		6124510	4	HHCS
102		6670070	12	STRAP PART NOT SHOWN; USED TO ATTACH ELECTRICAL CABLE TO FIXED AND LUFFING JIB.
103		7103040	4	L WASHER
104		810317842	1	BRACKET

Manitowoc Cranes

Description

20 FT #176938-2 JIB INSERT

Assembly No.

810224824

Revision: FB

Item	FN	Part	Qty	Description
101		0762252	4	PIN
102		1769389	1	INSERT
103		810176762	2	TIMBER
104		7660201601	8	HEX LOCK NUT 5/8-11 UNC
108		5621580	8	PIN COTTER
109		7097470	16	F WASHER

Manitowoc Cranes

Alphabetical Index	Appendix A	
Description	Part	Page
CATWALK ASSY 9.0 M #74A TOP	81036426	645
CHAIN	81024429	261
CHAIN 7FT LONG ATB	3341012	283, 293, 805, 837
CHAIN PER FOOT	3342080	445
CHANNEL	810269530	23, 219, 455
	810269540	455
	810269550	23, 37, 59
	810269570	23
	810269870	445, 536, 564
	810269880	491
CHANNEL 25.4 DP X 660.4 LG	810269560	23
CHANNEL ANCHOR CLAMP	810250110	219, 485
	810250150	219, 377, 445, 497
	810250160	497, 607, 615
	810250170	23
	810250180	533, 561
	810251520	23, 59, 219, 456, 491, 497
	810271010	607, 615
	810275970	59
CHARGE AIR COOLER ASSEMBLY	90018198	483
CHECK VALVE	90045203	53
CHEEK PLATE	0750862	773, 775
	0750872	773, 775
CHOKE, RFI	90014036	167
CIRCUIT BOARD	84023475	119
CIRCUIT BREAKER	810242540	445
CLAMP	3453400	163
	3453420	499
	3454900	499
	3455790	781
	7312800000	287, 295, 729, 735, 801, 827
	810117600	497
	810220272	497
	81022527	497
	810270370	607, 615
	810272040	59
	810272110	59
	810272120	61
	810275840	59
	810275850	59
CLAMP ZINC RICH EPOXY	A066840	75
CLAMP CUMMINS 89542K	810054770	481
CLAMP SPRING HEAVY DUTY	3456830	481
CLAMP SPRING LIGHT DUTY	A085820	50
CLAMP TBOLT	810190860	455, 481, 485
	810214150	499
	810338550	481, 485

From - CATWALK ASSY 9.0 M #74A TOP

To - CLAMP TBOLT

Manitowoc Cranes

Alphabetical Index	Appendix A	
Description	Part	Page
FITTING	4284950	37
	4284960	37
	4286090	351, 415, 417
	4299360	409
	90025930	469, 511
	A172160	643
FITTING (5/8")	9515220020	167
FITTING 3/8 X 3/8 90 ELBOW	80018068	485
FITTING 90D ELBOW FOR ORIFICE	1794812	37
FITTING ADAPTER 90 DEG	810029990	481
	810129670	499
	A021120	391
FITTING ADAPTER SPECIAL	A013900	485
	A022300	487
	A029990	499
	A178450	485, 487
FITTING ADAPTER STRAIGHT	4282230	61, 67, 129, 383
	4282240	71
	4282340	377
	810213510	37, 351, 415, 417
	810234500	383
	810241620	623
	810285050	335, 357, 391
	A067050	61
	A067080	173
FITTING ADAPTER STRAIGHT, .25	810030000	481
FITTING ADAPTER STRAIGHT, 3/4	810115650	481, 491
FITTING ADAPTER TEE	810272810	37
FITTING ADPT STRAIGHT	80018067	485
FITTING CAP	4296630	323
FITTING ELBOW #10 AIR CONDITIO	84032384	491
FITTING ELBOW #6 AIR CONDITION	84032383	491
FITTING FLANGE ASSEMBLY	A175650	9
FITTING FLANGE ASSEMBLY, BLANK	A195710	9
FITTING LUBE, NPT .25	4290100	331, 335, 357, 391, 405, 409, 549, 577, 725, 793
FITTING PLUG	81040047	351, 415, 417
	A141150	39
FITTING STRAIGHT G1/4 X -6 SA	84020350	351, 415, 417
FITTING, 90 DEG ADAPTER	4282610	25
	4283380	25
	4285540	411
	810213500	205
FITTING, 90 DEG ELBOW	4280400	10
	4285750	409
FITTING, ADAPTER STRAIGHT	4296170	9
	4296580	499
FITTING, ADAPTER STRAIGHT QUIC	810249470	289

From - FITTING

To - FITTING, ADAPTER STRAIGHT QUIC

Manitowoc Cranes

Alphabetical Index	Appendix A	
Description	Part	Page
HOSE ASSY CODED 0.50 ID X 176	7555317661	25
HOSE ASSY CODED 0.50 ID X 186	7555318660	25
HOSE ASSY CODED 0.50 ID X 280	7555328082	303
HOSE ASSY CODED 0.50 ID X 283	7555328382	303
HOSE ASSY CODED 0.51ID X 91LG	7555209101	173
HOSE ASSY CODED 0.75 ID X 106	7556510661	25
HOSE ASSY CODED 0.75 ID X 28 L	7555502891	25
HOSE ASSY CODED 1.00 ID X 226	7555622600	377
HOSE ASSY CODED 1.00ID X 98 LG	7565209829	535, 563
HOSE ASSY CODED 1.25 ID X 121	7565312157	39
HOSE ASSY CODED 1.25 ID X 35.0	7555703593	31
HOSE ASSY CODED 1.25 ID X 36.0	7555703691	31
HOSE ASSY CODED 1.50 ID X 49 L	7546904990	31
HOSE ASSY CODED 3.00 ID X 43 L	7566604300	50
HOSE ASSY CODED 3.00 OD X 10 L	7566601000	50
HOSE ASSY CODED 7555214702	7555214702	129
HOSE ASSY CODED,0.50 ID X 35 L	7555303561	24
HOSE ASSY CODED,1.50 ID X 30.0	7555803290	25
HOSE ASSY GREASE PIPE 40.0 LG	810339050	409
HOSE ASSY GREASE PIPE 62.0 LG	810312550	641
HOSE ASSY, 1/2" ID X 36"LONG	7555303661	24
HOSE ASSY, 1/2" ID X 77" LONG	7555307761	535, 563
HOSE ASSY, 1/2" I.D. X 24" LONG	7555302401	24
HOSE ASSY, 1/2" I.D. X 36" LONG	7555303601	608, 616
HOSE ASSY, 3/8" I.D. X 18" LONG	7555201801	60, 61
HOSE ASSY, 3/8" I.D. X 21" LONG	7555202101	383
HOSE ASSY, 3/8" I.D. X 22" LONG	7555202201	60
HOSE ASSY, 3/8" I.D. X 32" LONG	7555203200	325, 351
HOSE ASSY, 3/8" I.D. X 36" LONG	7555203601	608, 616
HOSE ASSY, 3/8" I.D. X 38" LONG	7555203801	60
HOSE ASSY, 3/8" I.D. X 40" LONG	7555204001	60
HOSE ASSY, 3/8" I.D. X 48" LONG	7555204801	61
HOSE ASSY, 5/8" I.D. X 15" LONG	7555401501	383
HOSE ASSY, USE AS REQUIRED	7555105001	39
HOSE CODED	7566602000	50
HOSE PER FOOT, PLASTIC 1/2ID	4858450	163
HOSE SILICONE	6575106120	485
	6575110010	485
	6575110070	485
	6575110080	485

From - HOSE ASSY CODED 0.50 ID X 176

To - HOSE SILICONE

Manitowoc Cranes

Alphabetical Index	Appendix A	
Description	Part	Page
PIN COTTER, 3/8 DIA X 4.00 LG	5621520	675, 789
PIN CRAWLER TREAD	81021133	549, 577
PIN DOWEL	81029035	553, 581
PIN FOR DEAD END ANCHOR LINK	170419A	731
PIN HAIR COTTER	5638510	275
PIN HITCH	810160370	649
PIN KEEPER	810288002 A174412	455 75
PIN LOAD	810342080	850
PIN LOCKING	810247572	601
PIN PULLER	81036894	237
PIN PULLER ASSY	810236241	525
PIN PULLER ASSY, BOOM HINGE	810371561	5
PIN PULLER ASSY, UPPER CWT.	81036811	5
PIN PULLER BOOM HINGE	810371571	5
PIN PULLER CTWT SUBASSY	81036810	235
PIN QUICK RELEASE	810067950 810232970 810244570 810276370	595 247 3 549, 577
PIN QUICK RELEASE LYNCH .19 DI	810315260	545, 583
PIN SAFETY	5638230 810282382	549, 577, 595, 605, 649, 669, 683, 699, 701, 737, 757, 761, 777, 789, 795, 849, 861, 863 737
PIN SPRING SLOT	5640380 81039618	125 391
PIN W/COTTER	9914100033	287, 295, 729, 735, 801, 827
PIN WIRE LOCK	810138560 810156910	595 717
PIN WITH HEAD 100.0x197.0	84020160	849
PIN, (NO HOLES) WITH HEAD	1687742	679
PIN, (QUICK PULL HAIR PIN)	7689001040	247
PIN, 1 HOLE W/HD	81022561	835
PIN, COTTER	5620430 5620440 5621510 9539220026 9826220011	849, 865 331, 405, 779, 783, 785, 787, 797 329, 355, 790, 835, 837 799, 825 853
PIN, DOWEL ROLL	3964010 A030330	227 147, 549, 577
PIN, HAIR COTTER	5637900	308, 533, 561, 654

From - PIN COTTER, 3/8 DIA X 4.00 LG

To - PIN, HAIR COTTER

Manitowoc Cranes

Alphabetical Index	Appendix A	
Description	Part	Page
SHAFT	A020242	125
	A020252	125
	A170922	595
SHAFT 130.0 DIA X 1048.0 LG	81034280	211
SHAFT 130.0X1632.0	81024378	299
SHAFT 50.0 MM DIA X 810.0 MM L	810244732	545, 583
SHAFT DRIVE	910545	459
SHAFT ROLLER	81021705	549, 577
	81029591	553, 581
SHAFT, DRIVE	90025871	469, 511
	90025875	469, 511
	90025935	339, 361
	90025970	393
SHCS	6148340	445
	7126130754	485
	7126131254	10, 219
	7127151154	141
	7128292054	391
	7128342654	599
SHCS 3 X 25 8.8	7126091254	233, 595
SHCS LOW HD	A029780	145
	A030970	153
SHCS M10x40 -12.9 ISO 4762	7128191554	607, 615
SHCS M12-1.75 X 30 GR 8.8	7126211354	25, 456
SHCS M12X25 12.9 FLZN ISO 4762	7128211254	463, 505
SHCS M6X20 - 8.8	7126151154	87
SHCS M6x25 -12.9 ISO 4762	7128151254	91, 101
SHEAVE	0235572	773, 775
	6310940	777, 779, 783, 785, 787, 795, 797
	9086220051	769
SHEAVE 24 DIA, 1 INCH ROPE	1721697	669
SHEAVE 27"OD 1.125"GR	6310980	789
SHEAVE ASSEMBLY	0903185	789
SHEAVE ASSY	1712501	737, 741
	1767996	789
SHEAVE ASSY 21.85 DIA	810242980	211, 299
SHEAVE ASSY, JIB POINT	0903181	771
	0903182	771
SHEAVE ASSY, MAST HOIST	81024415	5
SHEAVE BANK ASSY	81028333	683, 701
	81028334	683, 701
	81028335	683, 701
SHEAVE FOR 1" WIRE ROPE	1704193	731
SHEAVE WIRE ROPE	810194690	671
	810215450	687, 691, 695, 705, 709, 713

From - SHAFT

To - SHEAVE WIRE ROPE

Manitowoc Cranes

Alphabetical Index	Appendix A	
Description	Part	Page
WEIGHT	1424032	805, 837
WEIGHT LIMIT SWITCH	810347192	293, 829, 837
WHEEL GUIDE,SEALED BEARING	A026250	151, 155
WINCH	7169790	777, 795
WINDOW ASSY CAB	81021879	141
WINDSHIELD WIPER ASSY CAB	810219011	141
WIPER ARM, FRONT	A019660	149
WIPER ARM, OVERHEAD	A019690	149
WIPER BLADE, FRONT	A019670	149
WIPER BLADE, OVERHEAD	A019700	149
WIPER MOTOR, FRONT	A202800	149
WIPER MOTOR, ROOF	A202790	149
WIPER WINDSHIELD	A019710	75
WIRE HARNESS RT SIDE CONSOLE 1	84034586	91
WIRE HARNESS RT SIDE CONSOLE 2	84034587	91
WIRE ROPE (BRIDON) 22 MM X 820	81020878B	845, 849
WIRE ROPE 3/16 7X19	7193040	777, 795
WIRE ROPE ASSY	810208781	839
WIRE ROPE ROTATION RESIST 26 M	81023876B 81023884B	759 763
WIRING HARNESS	810247480 810251970 810253890 81036788	91 843 805 219
WIRING HARNESS AFTERTREATMENT	810300760	445
WIRING HARNESS EP2 T4F	81030075	445
WIRING HARNESS REAR CONSOLE	84034588	83
WIRING HARNESS W46	81042743	219
WIRING HARNESS W53	84019776	219
WIRING HARNESS, LEFT SIDE CONS	84026887	101
WIRING HARNESS GROUND CABLE	84026025	83
WIRING HARNESS WCL	84026021	81
WORK PLATFORM, CAB	84027508	75
WRENCH OPEN END	810110340	283

From - WEIGHT

To - WRENCH OPEN END

Manitowoc Cranes

Numeric Index		Appendix B
Part	Description	Page
5429970	PIPE, NIPPLE	9
5434050	NIPPLE PIPE	203
5434440	PIPE, NIPPLE	485, 819, 831
5436760	NIPPLE PIPE	391
5460500	NUT, HEX	3, 141, 649
5460520	NUT, HEX	113, 431
5460530	NUT, HEX	3, 141, 331
5460540	NUT, HEX	789, 817
5460550	HEX NUT, 10-24UNC STEEL	153, 445
5460560	NUT, HEX	773, 775
5460750	HEX NUT	117, 161, 163
5460780	HEX NUT	83, 857
5462740	HEX JAM NUT 7/16-20UNF GR 5	151, 155
5464370	CONNECTOR	423, 431, 435
5467620	NUT, HEX HEAVY	153
5467630	NUT, HEX JAM	773, 775, 807, 809, 819, 821, 831, 833
5467680	HEX JAM NUT	225
5468370	NUT, HEX HEAVY	157
5469560	NUT PANEL	83, 91, 113
5469670	NUT PANEL	101, 449
5470540	HEX NUT	431
5471130	HEX NUT	549, 577
5483390	HEX LOCK NUT PA	87
5483400	NUT, HEX NYLOCK	201
5483410	HEX LOCK NUT, 1/4 -20UNC GR C	805
5483420	NUT, LOCK	59, 451
5483430	NUT, LOCK	779, 783, 785, 787, 797
5483450	NUT, HEX LOCK	75, 455, 790
5483460	HEX LOCK NUT PA	737
5483550	HEX LOCK NUT PA	283, 683, 701
5485550	NUT, LOCK CONDUIT	117, 125, 431
5485560	NUT	427
5485580	NUT	423
5503230	RING	445
562022	PIN COTTER 3/32 DIA X 0.75 LG	141
5620230	PIN COTTER	247
5620420	PIN COTTER	331, 405
5620430	PIN, COTTER	849, 865
5620440	PIN, COTTER	331, 405, 779, 783, 785, 787, 797

From - 5429970

To - 5620440

Manitowoc Cranes

Numeric Index		Appendix B
Part	Description	Page
7447040469	FITTING ADAPTER STRAIGHT	59, 325
7447040569	FITTING ADAPTER STRAIGHT	38
7447040601	ADAPTER, STRAIGHT	61
7447040603	FITTING, 90 DEGREE	351, 415, 417
7447040608	ELBOW, 45 DEGREE MALE	61
7447040650	FITTING ADAPTER STRAIGHT	49
7447040801	ADAPTER, STRAIGHT MALE	71, 307, 653
7447060413	REDUCER	49, 61
7447060450	STR THD SWIVEL FEMALE	49
7447060455	MALE 90 DEG ELBOW ORFS/BSPP	38
7447060469	ADAPTER, ORFS-METRIC ISO 9974	327, 351
7447060560	STR-MALE ORFS, STORM	607, 615
7447060601	ADAPTER, STRAIGHT MALE	59, 608, 616
7447060603	ELBOW, 90 DEGREE	59, 325, 327, 351
7447060604	TEE, BRANCH	49
7447060616	CAP ASSY. FEMALE 11/16-16	49
7447060617	UNION, BULKHEAD	129, 173
7447060624	FITTING, BULKHEAD TEE ORS	129
7447060633	ELBOW, 90 DEGREE MALE	59, 61, 129, 607, 615
7447060801	ADAPTER, STRAIGHT MALE	173, 534, 562
7447080413	REDUCER	60, 307, 653
7447080561	ELBOW-90-ORFS TO METRIC ORING	607, 615
7447080601	ADAPTER, STRAIGHT	23
7447080603	ELBOW, 90 DEGREE	23, 608, 616
7447080613	REDUCER	61
7447080801	ADAPTER, STRAIGHT	23, 60, 71, 173, 203, 307, 653
7447080803	ELBOW, 90 DEGREE MALE	24, 173, 607, 615
7447080805	TEE, RUN	534, 562
7447080809	UNION	24
7447080811	TEE, UNION	24
7447080828	ADAPTER, STRAIGHT	203
7447080829	ELBOW, 45 DEGREE	203
7447080833	ELBOW, 90 DEGREE MALE	24, 38
7447080834	TEE, MALE RUN	24, 61
7447080835	TEE, BRANCH	60
7447080840	ADAPTER, STRAIGHT FEMALE	173
7447080846	ADAPTER, MALE ORFS 45 DEG	24, 25, 607, 615
7447080848	FITTING, FEMALE 90 DEGREE	173
7447080868	FITTING ADAPTER 90 DEG	38

From - 7447040469

To - 7447080868

Manitowoc Cranes

Numeric Index		Appendix B
Part	Description	Page
80052308	CRANESTAR BULKHEAD ANTENNA	87
80060094	SADDLE SPACER	25
810005260	DECAL	271
810006580	BATTERY	451
810006852	BRACKET	123
810008490	TERMINAL	449
81001506	TAPE DOUBLE COATED POLYPROPYLE	117
810015300	DECAL WARNING READ MANUAL	271
810018650	ALARM	219
810021890	CABLE ELEC - 7081K82	423
810029580	DISCONNECT	37, 49, 59
810029990	FITTING ADAPTER 90 DEG	481
810030000	FITTING ADAPTER STRAIGHT, .25	481
810032060	THREADED INSERT M6 X 1.0	87, 135
810034210	PHIL TMS	87, 141
810037660	BATTERY	431
810039130	Q DISCON FITTING	25, 307, 533, 561, 653
810039140	Q DISCON FITTING	59, 307, 607, 615, 653
810039150	CAP DUST	59, 307, 607, 615, 653
810039160	CAP DUST	25, 307, 533, 561, 653
810041950	Q DISCON FITTING	37
810041960	Q DISCON FITTING	283
810041980	CAP DUST	37
810042790	Q DISCON FITTING	533, 561, 607, 615
810042800	Q DISCON FITTING	533, 561, 607, 615
810043080	CAP DUST	39, 307, 533, 561, 607, 615, 653
810043090	PLUG DUST	39, 307, 533, 561, 607, 615, 653
810047500	METER ENGINE HOUR	91
810049590	CAP DUST	3
810054770	CLAMP CUMMINS 89542K	481
810054840	HOSE	499
810056050	VALVE, WATER (24V)	167
810056070	ELECTRONIC CONTROL UNIT ASSEMB	167
810058030	WASHER FLAT	87
810058230	CLAMP TUBE	23, 49, 445
810060670	CABLE WIRE TIN COATED COPPER B	223
810063210	SCREW, SOCKET BUTTON CAP	249
810063580	SPACER PIPE	777, 795

From - 80052308

To - 810063580

Manitowoc Cranes

Numeric Index		Appendix B
Part	Description	Page
81023876B	WIRE ROPE ROTATION RESIST 26 M	759
81023884B	WIRE ROPE ROTATION RESIST 26 M	763
810238871	TANK HYDRAULIC ASSY RET FILTRA	7
810238880	TANK HYDRAULIC 172 GAL	9
810238900	MANIFOLD ASSY HYDR TANK	9
810241071	PIPING HYDR ASSY ACCESSORIES	7
810241075	PIPING HYDR ASSY LESS REAR FRE	371
810241081	PIPING HYDR ASSY SUCTION	7
810241101	PIPING HYDR ASSY FAN	7
810241111	PIPING HYDR ASSY	7
810241121	PIPING HYDR ASSY	371
810241122	PIPING HYDR ASSY FREEFALL	371
810241123	PIPING HYDR ASSY FREEFALL	371
810241532	LIFTING SLING 4 LEG X 58,700 L	283
810241620	FITTING ADAPTER STRAIGHT	623
810241640	BOX JUNCTION ASSY	445
810242540	CIRCUIT BREAKER	445
81024288	INSERT WELDMENT #74A, 3.00M	861
81024292	INSERT WELDMENT	863
81024294	INSERT WELDMENT	757
81024296	INSERT WELDMENT	761
810242980	SHEAVE ASSY 21.85 DIA	211, 299
810243012	COUNTERWEIGHT BOX	605
810243242	BRACKET DRUM SUPPORT	233
81024328	COUNTERWEIGHT TRAY	261
81024329	COUNTERWEIGHT BOX	261
810243732	MAST WELDMENT, LIVE W/O LUGS	299
81024378	SHAFT 130.0X1632.0	299
81024382	LINK	849
81024390	STRAP	849
81024403	LINK 600.0 LG	849
81024404	PIN	849
81024405	SPACER	849
810244090	CYLINDER HYDR ASSY	251
81024411	BUSHING 145.0 OD X 130.0 ID X	299
81024413	SPACER 165.1 OD X 133.4 ID X 5	211
81024415	SHEAVE ASSY, MAST HOIST	5
810244162	STRAP	261
810244272	SHACKLE	261

From - 81023876B

To - 810244272

Manitowoc Cranes

Numeric Index		Appendix B
Part	Description	Page
810339410	AIR CLEANER INSTL	499
810339432	BRACKET	499
81033945	SPACER	850
810341271	CLEANER AIR ASSY	441
810341280	TUBE PREFORMED	499
810342080	PIN LOAD	850
81034260	LINK ASSY MAST	211
81034262	BUSHING 145 OD X 130 ID X 40.0	211, 693, 711
81034263	SPACER 165.1 OD X 130.5 ID X 8	211, 299
81034265	RING SNAP EXTERNAL	850
81034280	SHAFT 130.0 DIA X 1048.0 LG	211
81034464	PLATE DRUM W/O FF	335, 357
81034488	COVER ACCESS FUEL TANK	209
81034489	COVER ACCESS FUEL TANK DRAIN	209
810347192	WEIGHT LIMIT SWITCH	293, 829, 837
810348351	ESI SHORE POWER	423
81035043	TUBE PREFORMED 1.25 OD X .120	25
810353010	TUBE PREFORMED 0.50 OD X .083 W	23
810360320	TUBE PREFORMED 4.00 OD X .065	31
810360360	TUBE PREFORMED 1.25 OD X .187	31
810360742	SHIM 50.8 ID X 100 OD X 1.5 TH	329, 355
810360752	SHIM 50.8 ID X 100 OD X 2.7 TH	329, 355
810360762	SHIM 50.8 ID X 100 OD X 6.0 TH	329, 355
810360772	SHIM 50.8 ID X 100 OD X 9.5 TH	329, 355
810361310	TUBE PREFORMED 0.50 OD X .083	23
810361320	TUBE PREFORMED 0.50 OD X .083	23
810362220	VALVE ASSY	61
81036421	CATWALK ASSY 6.0 M #74A BUTT	645, 649
81036426	CATWALK ASSY 9.0 M #74A TOP	645
81036431	CATWALK 241.3 X 978.0	673, 681
81036432	CATWALK 482.6 X 2865.0	673, 681, 749, 753
81036434	CATWALK 482.6 X 3063.0	753, 765
81036436	CATWALK 482.0 X 2637.0	721, 765
81036438	CATWALK 482.6 X 2065.0	673, 681, 721
81036439	CATWALK 482.6 X 1463.0	721
81036440	CATWALK 241.3 X 1912.0	721
81036461	BRACKET 6X38X165	673, 681, 721, 753, 765
81036788	WIRING HARNESS	219
81036793	PIN	237

From - 810339410

To - 81036793

CLICK HERE TO **DOWNLOAD** THE COMPLETE MANUAL

- Thank you very much for reading the preview of the manual.
- You can download the complete manual from: www.heydownloads.com by clicking the link below



- Please note: If there is no response to CLICKING the link, please download this PDF first and then click on it.

CLICK HERE TO **DOWNLOAD** THE COMPLETE MANUAL