

Manitowoc Cranes MACHINE COMPONENT INDEX

Date: May 20, 2021

Rev: 001

<u>Model Number</u> MLC150-1		<u>Serial Number</u> 91501004	
Item	Part	Description	Page
1	80126972	ROTATING STRUCTURE CAB INSTL FIXED CAB	3
	80118293	HVAC AC/HEATER ASSY	7
	80027884	A/C CONDENSER-VERT. MTG. 24V.	9
	80119713	AIR COND KIT HOSES	11
	80123265	CAB ASSY 24V CCS	13
	80103175	CAB ASSY 24V CCS PURCHASED	15
	80113644	CAB - SUB ASSY 24V CRAWLER	19
	80103172	GLASS DOOR ASSEMBLY	23
	80071856	WINDOW ASSY. RH SIDE	27
	90039109	GLASS ASSY. SLIDING	29
	90039110	GLASS ASSY. FIXED	31
	80118622	LIGHT ASSEMBLY-LED FLOOD	
	80004449	KIT - FRONT WIPER (24 VOLT) (COMPLETE ASSEMBLY)	33
	80124600	WORK LIGHT HA - JUMPER	35
	80102531	HEATER & AC INSTALL CAB 24V	37
	80089969	KIT - 24V HEATER/COOL	41
	80104074	CAB ACOUSTICS INSTALLATION	45
	80104075	MISC CAB COMPONENTS INSTALL	47
	80104188	INSTL, CAB BRACKETS	49
	80104189	INSTL, CAB PEDAL GROUP	51
	80079452	PLUG INSTALLATION	53
	80123879	CONSOLE CONTROL ASSY CAB	55
	80102334	CONSOLE OVERHEAD ASSY	57
	80123880	CONSOLE RIGHT HAND ASSY	59
	84054782	DISPLAY CCS COLOR	63
	80123881	CONSOLE LEFT HAND ASSY	65
	A024680	CONTROLLER, JOYSTICK	67
	80102338	CONSOLE REAR ASSY	71
	80107986	PANEL ASSY ELEC REAR CAB UPPER	73
	80107988	PANEL ASSY ELEC REAR CAB LOWER	75
	80107991	PANEL ASSY ELEC REAR CAB INNER	77
	A02019	FOOT PEDAL ASSY THROTTLE CONTR	79

CLICK HERE TO **DOWNLOAD** THE COMPLETE MANUAL

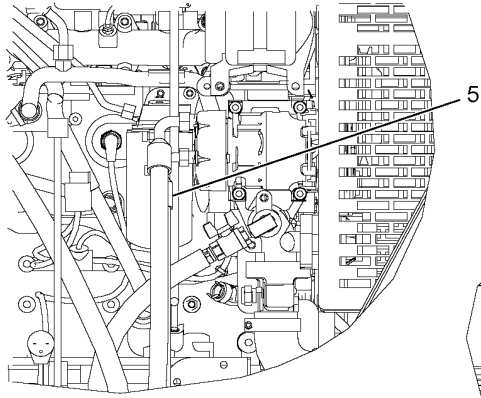
- Thank you very much for reading the preview of the manual.
- You can download the complete manual from: www.heydownloads.com by clicking the link below



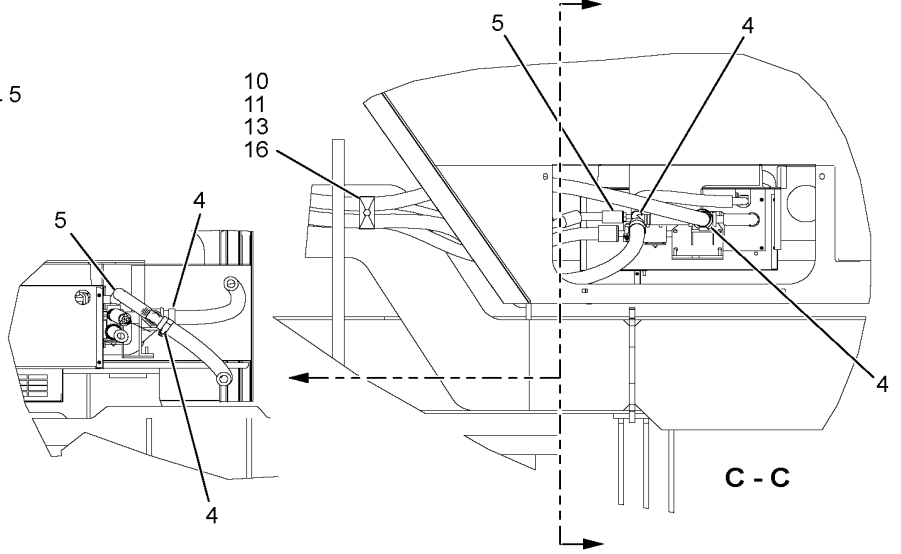
- Please note: If there is no response to CLICKING the link, please download this PDF first and then click on it.

CLICK HERE TO **DOWNLOAD** THE COMPLETE MANUAL

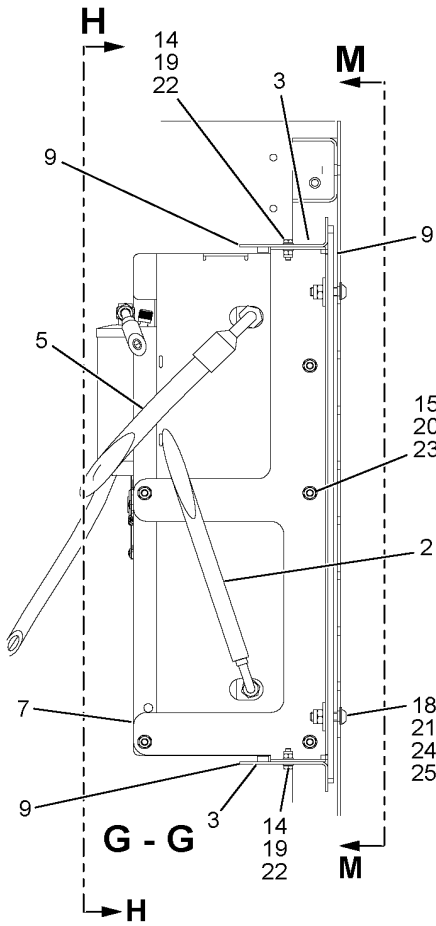
Manitowoc Cranes



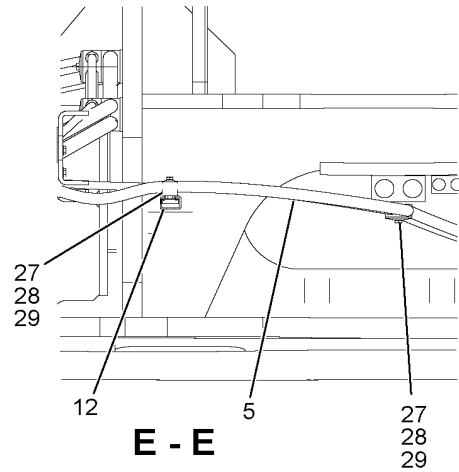
B



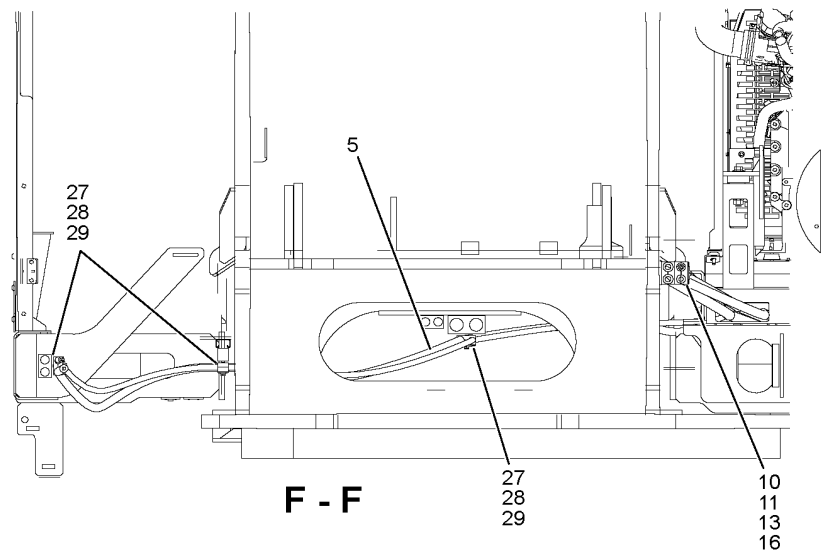
C - C



G - G



E - E



F - F

Manitowoc Cranes

Description

CAB ASSY 24V CCS PURCHASED

Assembly No.

80103175

Revision: **B**

Item	FN	Part	Qty	Description
1	+	80113644	1	CAB - SUB ASSY 24V CRAWLER
2	+	80102531	1	HEATER & AC INSTALL CAB 24V
3	+	80104074	1	CAB ACOUSTICS INSTALLATION
4	+	80104075	1	MISC CAB COMPONENTS INSTALL
5	+	80104188	1	INSTL, CAB BRACKETS
6	+	80104189	1	INSTL, CAB PEDAL GROUP
7	+	80079452	1	PLUG INSTALLATION

+ SEE FURTHER BREAKDOWN THIS GROUP

Manitowoc Cranes

Notes

Manitowoc Cranes

Description

WORK LIGHT HA - JUMPER

Assembly No.

80124600

Revision: **A**

Item	FN	Part	Qty	Description
1		7246001449	1	CABLE (QUANTITY IN FEET)
2		80123803	1	PLUG(2S) ENHANCED FRONT&E-SEAL
3		80123882	1	90 DEG BACKSHELL
4		7826000626	2	SOCKET, 16 - 18 AWG
6		7850000208	1	CABLE TIE, BLACK
7		8594100257	2	TUBING, HEAT SHRINK 1/2" I.D. LINER, MELTABLE (QUANTITY IN FEET)

Manitowoc Cranes

Description

CAB ACOUSTICS INSTALLATION

Assembly No.

80104074

Revision: **A**

Item	FN	Part	Qty	Description
1		80104142	1	FOAM - ACOUSTIC RH FRONT
2		80104143	1	FOAM - ACOUSTIC RH REAR
3		80104147	1	FOAM - ACOUSTIC RH REAR
4		80104153	1	FOAM - ACOUSTIC RH REAR
5		80104157	1	FOAM - ACOUSTIC RH REAR
6		80104175	1	FOAM - ACOUSTIC TOP
7		80104165	1	FOAM - ACOUSTIC LH REAR
8		80082507	1	FOAM - ACOUSTIC LH FRONT
9		80082685	1	FOAM - ACOUSTIC LH FRONT
10		80104178	1	FOAM - ACOUSTIC BACK WALL
11		80104187	1	FOAM - ACOUSTIC BACK WALL
12		80104185	1	FOAM - ACOUSTIC BACK WALL

Manitowoc Cranes

Description
CONSOLE CONTROL ASSY CAB

Assembly No.
80123879
Revision: A

Item	FN	Part	Qty	Description
1	+	80102334	1	CONSOLE OVERHEAD ASSY
2	+	80123880	1	CONSOLE RIGHT HAND ASSY
3	+	80123881	1	CONSOLE LEFT HAND ASSY
4	+	80102338	1	CONSOLE REAR ASSY
5	+	A02019	1	FOOT PEDAL ASSY THROTTLE CONTR
6		7126171153	6	HHCS M8X20 8.8 ISO 4017
7		7951170054	6	FLAT WASHER 8 100HV FLZN
8		7951170210	5	L WASHER
9		A188100	1	L WASHER COUNTERSUNK E-T
10		7126151053	5	CAP SCREW, M6 X 16MM HEX HEAD
11		7951150210	5	LOCKWASHER, 6MM I.D.
12		80117435	1	ELEC CABLE GROUND STRAP 1025MM

+ SEE FURTHER BREAKDOWN THIS GROUP

Manitowoc Cranes

<u>Description</u> CONSOLE LEFT HAND ASSY				Assembly No. 80123881 Revision: B
Item	FN	Part	Qty	Description
1		80123905	1	CONSOLE LEFT HAND MOLDED
2		80129084	1	JOYSTICK DUAL AXIS 15 DEG R
3	+	A024680	1	CONTROLLER, JOYSTICK
4		7258001451	2	CAP, 1/4"
5		80124615	1	PRINTED PANEL CONSOLE LH
6		80108750	4	FASTENER M6 X 16 LG BLACK SS
7		80104840	1	U-BOLT .375-16 X 2.0 SQUARE
8		03194044	1	EASYTOUCH SWITCH
9		03240752	1	BRACKET ASSY INCLUDES THE FOLLOWING PARTS
		03240751	1	BRACKET
		03318989	2	RIVET-NUT KNURLED
10		3050130	1	CAP
11		5899750	1	RECEPTACLE
12		80106797	1	BRACKET THROTTLE MOUNTING
13		A030150	1	KNOB THROTTLE MOLDED BLACK
14		A028570	1	HSSS CUP
15		03194043	1	BOWDEN WIRE
16		810019600	1	NAMEPLATE
17		80120726	1	WIRING HARNESS WCL1
18		7114330	1	WASHER
19		5469560	1	NUT PANEL
20		7950080450	4	LOCKWASHER, 5/32" I.D.
21		7951130014	2	F WASHER 5 ST ISO 7089
22		6184170	4	PHIL TMS 8-32UNC X 0.50 GR 1
23		6184180	3	PHIL TMS 10-32UNF X 0.50 GR 5
24		80104277	1	DECAL ENGINE THROTTLE
25		7121151101	2	SLOT PMS M6X20 -4.8 ISO 1580
26		5460540	2	NUT, HEX
27		6670070	3	STRAP
28		A030300	2	PHIL OMS
29		710304	2	L WASHER
30		80124451	4	L WASHER I-T M6 DIN 6797

+ SEE FURTHER BREAKDOWN THIS GROUP

Manitowoc Cranes

Description

PANEL ASSY ELEC REAR CAB LOWER

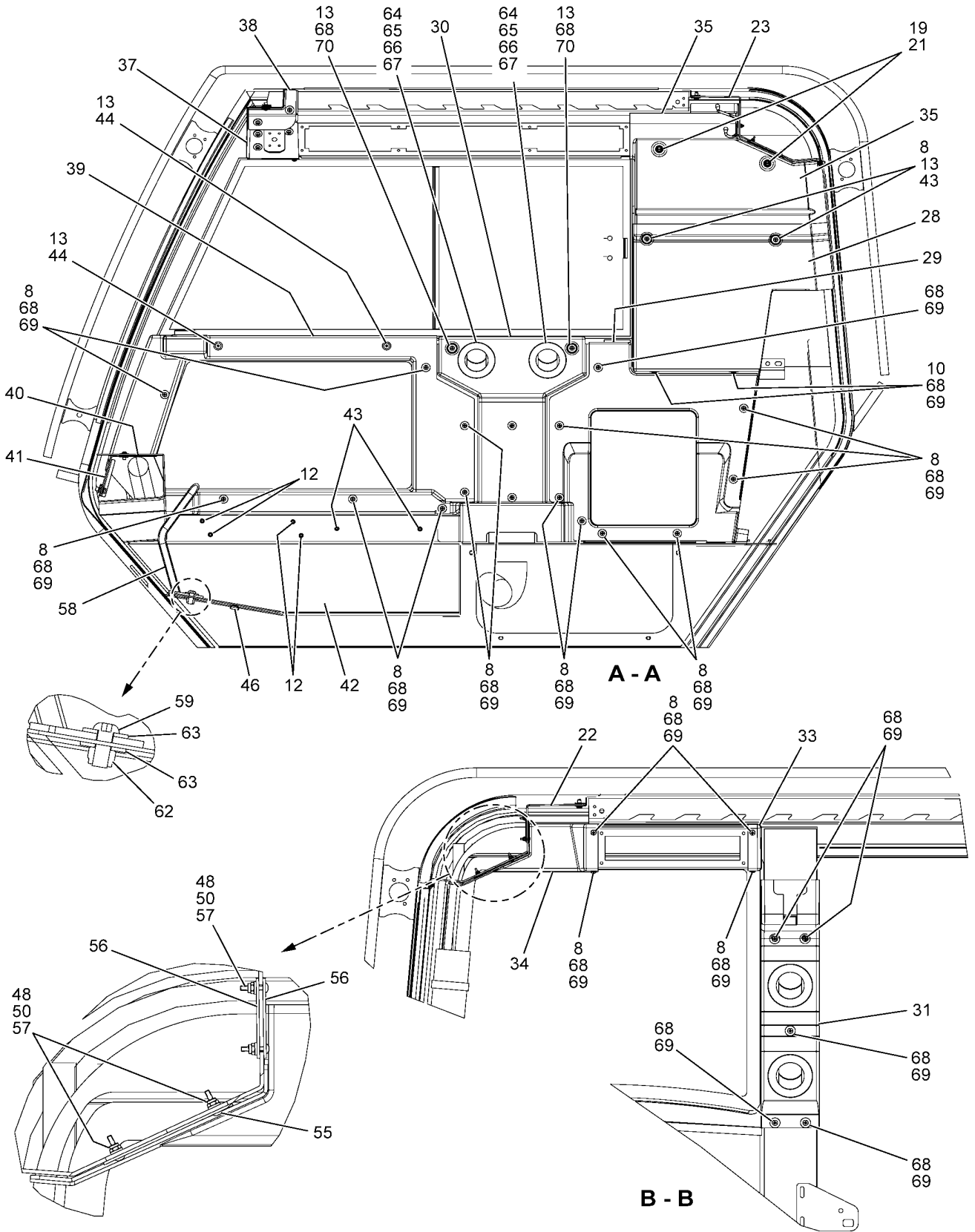
Assembly No.

80107988

Revision: **A**

Item	FN	Part	Qty	Description
1		80107989	1	PANEL REAR ELEC LOWER
2		275324	1	BREAKER CIRCUIT 120 AMP
3		7951150210	2	LOCKWASHER, 6MM I.D.
4		7126151153	2	HHCS M6X20 SS ISO 4017
5		7661150003	2	NUT, HEX

Manitowoc Cranes



Manitowoc Cranes

Description

COUNTERWEIGHT ASSY SERIES 2

Assembly No.

80134318

Revision: **A**

Item	FN	Part	Qty	Description
100		80117306	4	COUNTERWEIGHT UPPER BOX
101		80120009	8	PIN 2 HOLE 38.1 DIA X 174.0 LG
102		5638710	16	PIN, SAFETY

Manitowoc Cranes

Description

DECAL KIT UPPERWORKS

Assembly No.

80127266

Revision: **A**

Item	FN	Part	Qty	Description
1		95494	2	DECAL STAY CLEAR
2		95496	2	DECAL DANGER ELETROCUTION HAZA
6		1768352	1	DECAL FLAG
7		810108810	1	DECAL DIESEL FUEL SYMBOL
14		1970252	1	DECAL CAUTION-WELDING
22		810224040	1	DECAL CAUTION HYDRAULIC TANK F
23		A180780	1	DECAL WARNING HYD. TANK VENT
25		A114490	1	DECAL CAUTION BATTERY DISCONNE
26		A114510	1	DECAL, POWER ON
27		A114500	1	DECAL, POWER OFF
29		80126226	1	DECAL RADIUS
30		1965840	1	DECAL EXPLOSION HAZARD
32		A058390	2	DECAL WARNING ROTATING FAN BLA
33		A044122	1	DECAL WARNING COOLANT BURN HAZ
40		80107910	1	DECAL COUNTERWEIGHT RAISING
41		80107911	1	DECAL COUNTERWEIGHT RAISING
42		80126200	1	DECAL HYD FLUID LEVEL
47		80124130	1	DECAL CTWT TRAY WEIGHT

Manitowoc Cranes

Description

LUBE SYST TURNTABLE BEARING

Assembly No.

80119902

Revision: **B**

Item	FN	Part	Qty	Description
1		2887000	6	HEX BUSHING PIPE
2		4285750	9	FITTING, 90 DEG ELBOW
3		4290100	6	FITTING LUBE, NPT .25
4		4299360	6	FITTING
5		80119903	1	BRACKET BEARING LUBE
6		81026929	1	TUBE NYLON .25OD X 0.05W X145
7		81026686	1	TUBE RD .25 OD X .05 W X 97 L
8		810223760	1	TUBE ROUND
9		810268940	1	TUBE ROUND
10		81024261	1	TUBE .25 ODX .05WX119 LG
11		810269310	1	TUBE ROUND
12		7126191253	2	HHCS
13		7661190004	2	NUT
14		7951190014	2	F WASHER 10
15		A172800	12	BOOT
16		4285520	3	FITTING, QUICK LINK ADAPTER

Manitowoc Cranes

Description

VALVE ASSY QUICK DRAIN

Assembly No.

810249430

Revision:

Item	FN	Part	Qty	Description
1		3453370	1	CLAMP, WORM DRIVE
2		810249410	1	HOSE
3		810249470	1	FITTING, ADAPTER STRAIGHT QUIC

Manitowoc Cranes

Description
COUNTERWEIGHT ASSY ROT BED

Assembly No.
80117303
Revision: C

Item	FN	Part	Qty	Description
1		80117304	1	COUNTERWEIGHT TRAY MACHINING
2		80117306	6	COUNTERWEIGHT UPPER BOX
3		5621510	8	PIN, COTTER
4		5638710	24	PIN, SAFETY
5		80119145	4	PENDANT 2295.0 MM DISCARD PINS SUPPLIED WITH PENDANTS AND REPLACE WITH PN 80120006 (ITEM 11)
6		80119146	2	LINK FEMALE, CTWT RAISING
7		80120004	8	PIN WITH HEAD 50.8 X 90.5 LG
8		80120009	12	PIN 2 HOLE 38.1 DIA X 174.0 LG
9		810282382	4	PIN SAFETY
10		80124653	2	LINK FEMALE, CTWT RAISING
11		80120006	4	PIN WITH HEAD 50.8 X 115.5 LG

Manitowoc Cranes

Description
HARNESS ASSY-RADIO

Assembly No.
80108386
 Revision: **A**

Item	FN	Part	Qty	Description
1		80108393	1	RECEPTACLE, 16 PASS, RADIO
2		7345001449	2	TERMINAL, FEMALE 22 - 18 AWG
3		7364002417	2	RECEPTACLE, 22 - 18 AWG
4		7892000835	1	RECEPTACLE, 4 PIN
201		80108560	8	TERMINAL, FEM, 2.8MM, RADIO
202		7689001782	4	PIN, 18 - 16 GAGE

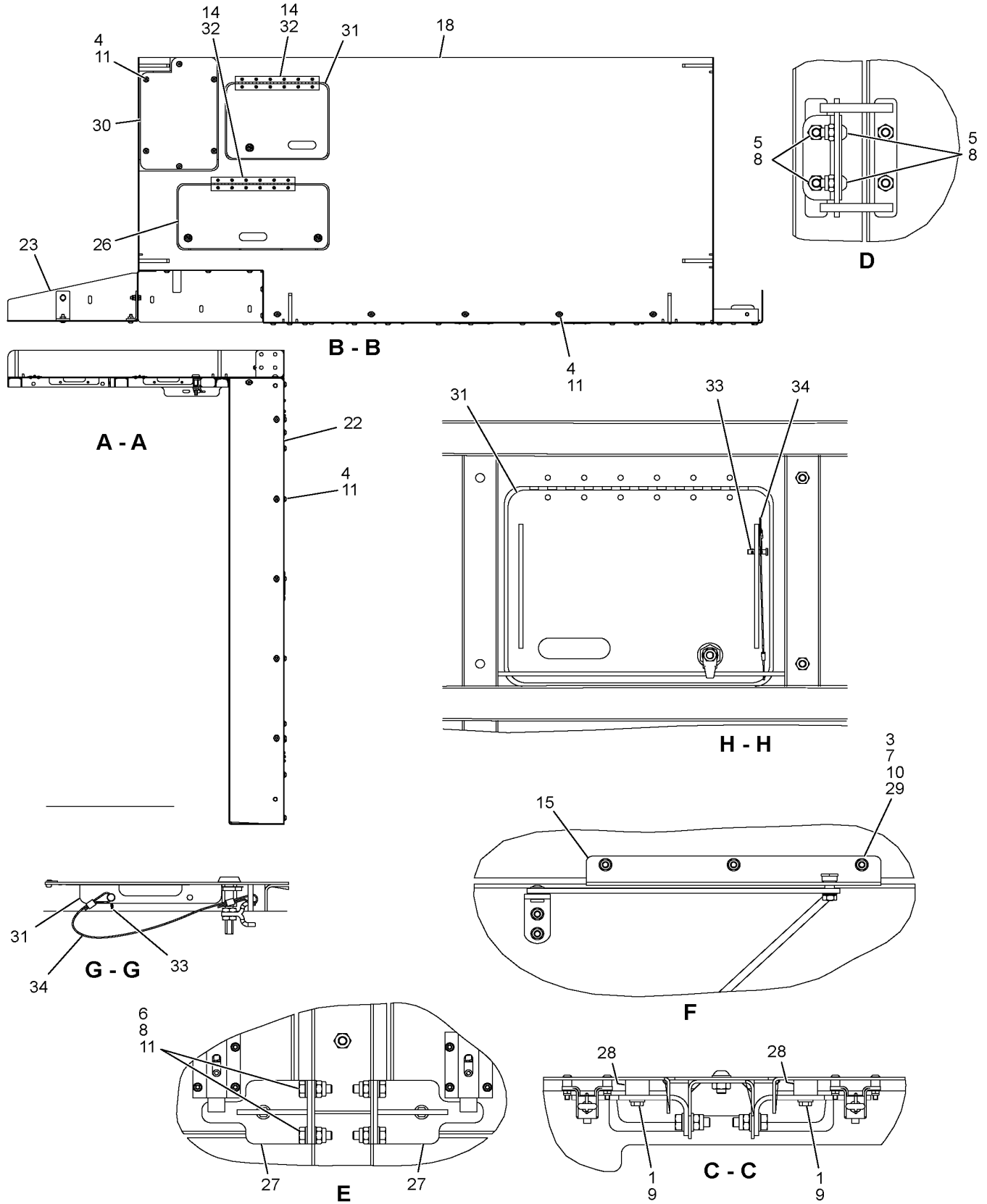
Manitowoc Cranes

Description
DOOR ASSY ENCL

Assembly No.
80128164
Revision: **A**

Item	FN	Part	Qty	Description
1		7123131218	8	SBCS M5 X 20 SS
2		7126191218	4	SBCS M10x25 SS ISO 7380
3		7661130803	8	LOCKNUT
4		7661190803	4	HEX LOCK NUT M10 -8 ISO 7040
5		7951130014	8	F WASHER 5 ST ISO 7089
6		80128165	1	DOOR ENCLOSURE WELD
7		80122686	8	SPACER 5.3X10X7
8		80122687	2	BRACKET DOOR HINGE
9		80123177	1	LATCH ASSY
		80108649	1	INCLUDES THE FOLLOWING PARTS LATCH PADDLE 2 POINT
10		81009608	4	RIVET 6.4 DIA X 12.7 LG POP

Manitowoc Cranes



Manitowoc Cranes

Description

HYD LINES INSTL CARBODY JACKIN

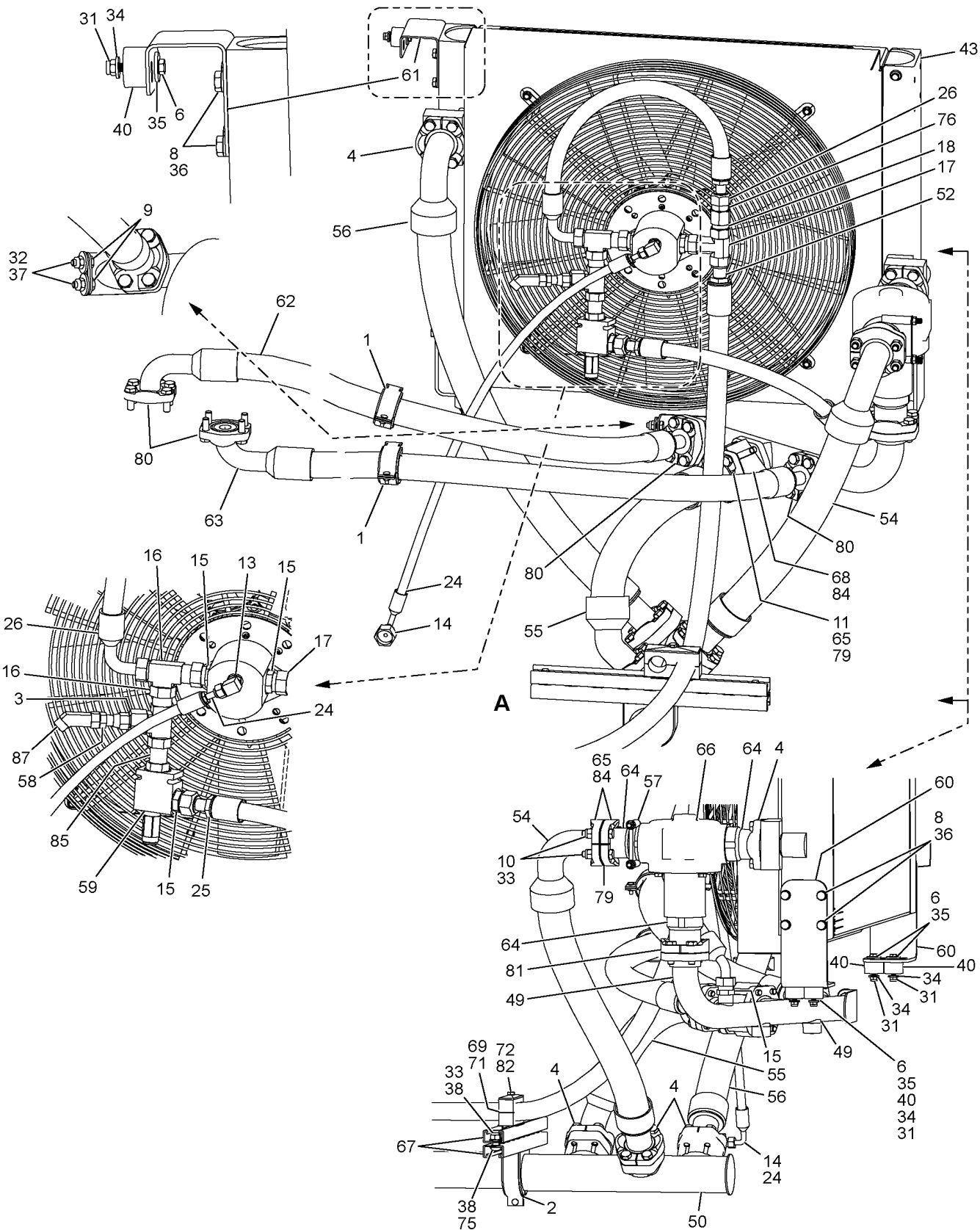
Assembly No.

80120105

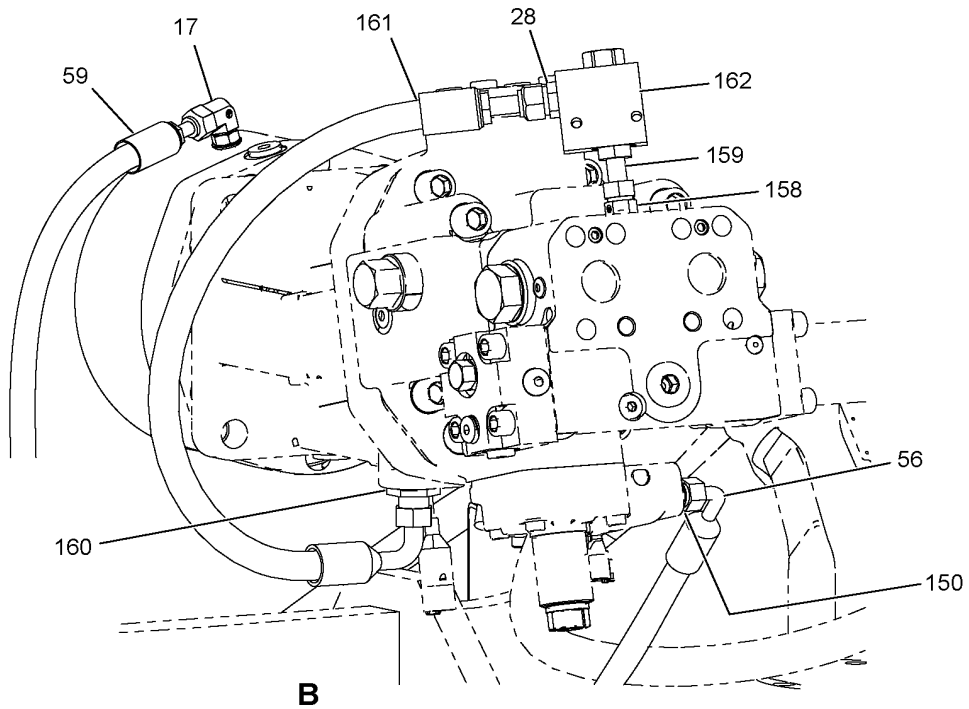
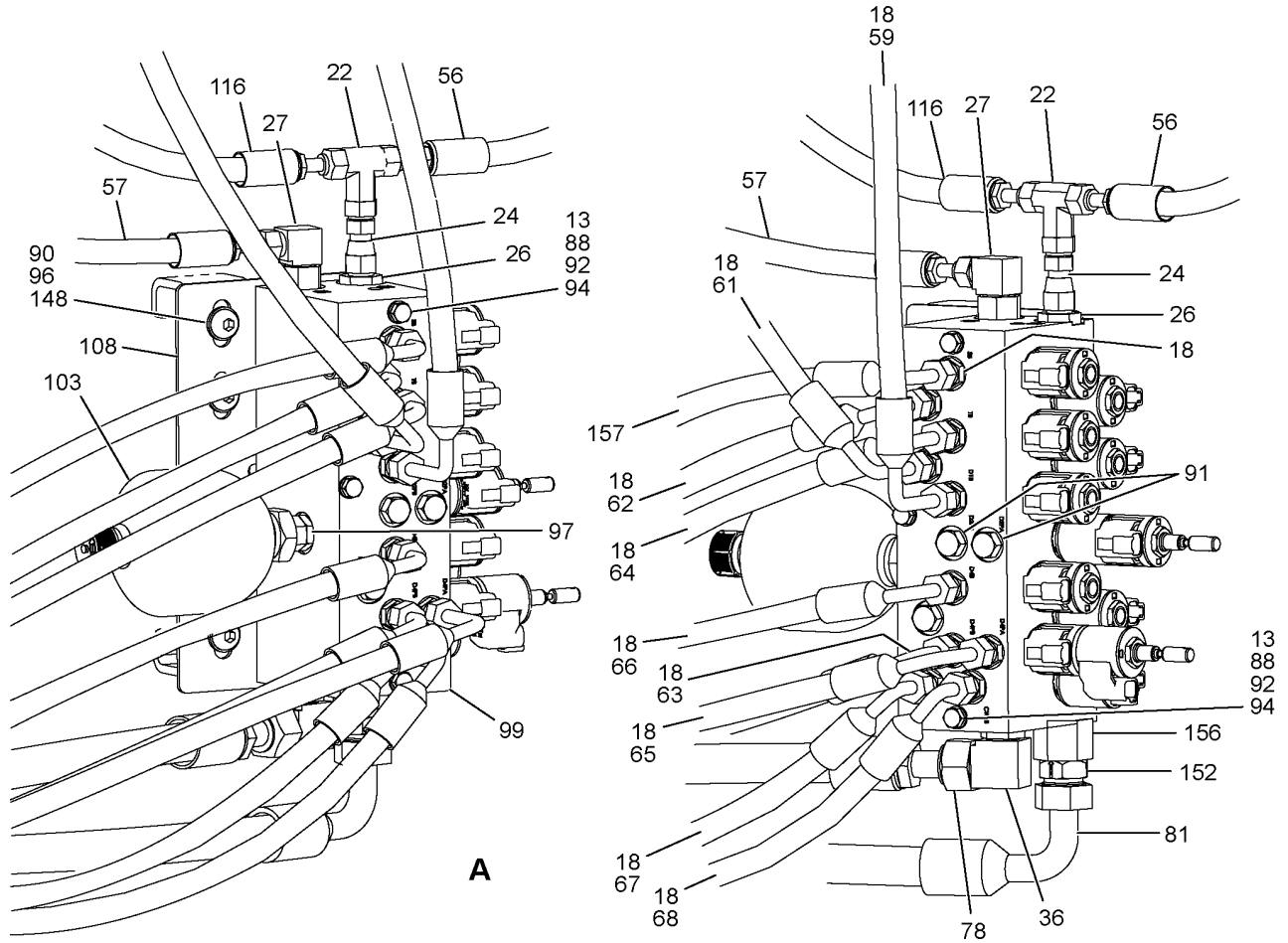
Revision: C

Item	FN	Part	Qty	Description
1		7126171653	14	HHCS M8x45 -8.8 ISO 4017
2		7126171953	4	HHCS M8X60 SS ISO 4017
3		7126191353	8	HHCS
4		7447080801	4	ADAPTER, STRAIGHT INCLUDES THE FOLLOWING PARTS
		7755014002	1	O-RING
		7755908002	1	O-RING
5		7447080803	8	ELBOW, 90 DEGREE MALE INCLUDES THE FOLLOWING PARTS
		7755014002	1	O-RING
		7755908002	1	O-RING
6		7555317921	1	HOSE ASSY -8 X 179 LG
7		7555318123	1	HOSE ASSY -8 X 181 LG
8		7555318221	1	HOSE ASSY
9		7555318423	1	HOSE ASSY -8 X 184 LG
10		7661170803	4	NUT NYLOC M8
11		7661190803	8	HEX LOCK NUT M10 -8 ISO 7040
12		7661210804	2	HEX LOCK NUT
13		7951170014	4	F WASHER
14		7951190014	16	F WASHER 10
15		7951210014	4	F WASHER 12 -ST ISO 7089
16		80123446	4	VALVE CHECK/ORIFIC .025 IN
17		80123563	4	BRACKET HOSE JACKING
18		80124722	2	HOSE ASSY -8 X 2780 LG
19		80124723	2	HOSE ASSY -8 X 2780 LG
20		810251520	1	CHANNEL ANCHOR CLAMP
21		810272090	12	CLAMP
22		810272110	8	CLAMP
23		810275850	2	CLAMP
24		810275970	2	CHANNEL ANCHOR CLAMP
25		810276040	18	COVER PLATE
26		810276300	2	PLATE
27		81037850	2	SBCS

Manitowoc Cranes



Manitowoc Cranes



Manitowoc Cranes

Notes

Manitowoc Cranes

Description

HYD LINES INSTL FF REAR

Assembly No.

80120370

Revision: **D**

Item	FN	Part	Qty	Description
1		7126171653	1	HHCS M8x45 -8.8 ISO 4017
2		7447060633	1	ELBOW, 90 DEGREE MALE
		7755012002	1	INCLUDES THE FOLLOWING PARTS O-RING
5		7447101069	1	FITTING STR ORFS-ISO9974
7		7447121203	1	ELBOW, 90 DEGREE
		7755018002	1	INCLUDES THE FOLLOWING PARTS O-RING
		7755912002	1	O-RING
8		7555406201	1	5/8" I.D. HYDR HOSE ASSY STR-9
9		80122001	1	HOSE ASSY -8 X 1880 LG
10		80122270	1	HOSE ASSY -12 X 780 LG
11		810213510	1	FITTING ADAPTER STRAIGHT
12		810234500	1	FITTING ADAPTER STRAIGHT
13		810272120	1	CLAMP
14		810276040	1	COVER PLATE
15		7447080838	1	ELBOW, 90 DEGREE LONG
		7755014002	1	INCLUDES THE FOLLOWING PARTS O-RING

Manitowoc Cranes

Description
HOIST ASSY DRUM 3 FS

Assembly No.
80130480
 Revision: **A**

Item	FN	Part	Qty	Description
1		7127292153	8	HHCS M24x70 -10.9 ISO 4017
2		7127292553	8	HHCS FULL THREAD
3		7951290095	16	F WASHER
4		80115492	1	HOIST DRUM 3
5	+	80129953	1	HYD LINES INSTL DRUM 3
6		80122428	1	FRAME MACHINING DRUM 3
7	+	80130541	1	ESI DRUM 3 RB FS

+ SEE FURTHER BREAKDOWN THIS GROUP

Manitowoc Cranes

Description
ESI FREE SPOOL CAB

Assembly No.
80130996
Revision: **A**

Item	FN	Part	Qty	Description
1		80128297	1	SWITCH FREE SPOOL

CLICK HERE TO **DOWNLOAD** THE COMPLETE MANUAL

- Thank you very much for reading the preview of the manual.
- You can download the complete manual from: www.heydownloads.com by clicking the link below



- Please note: If there is no response to CLICKING the link, please download this PDF first and then click on it.

CLICK HERE TO **DOWNLOAD** THE COMPLETE MANUAL

Manitowoc Cranes

Description

ESI FREEFALL DRUMS 1 & 2

Assembly No.

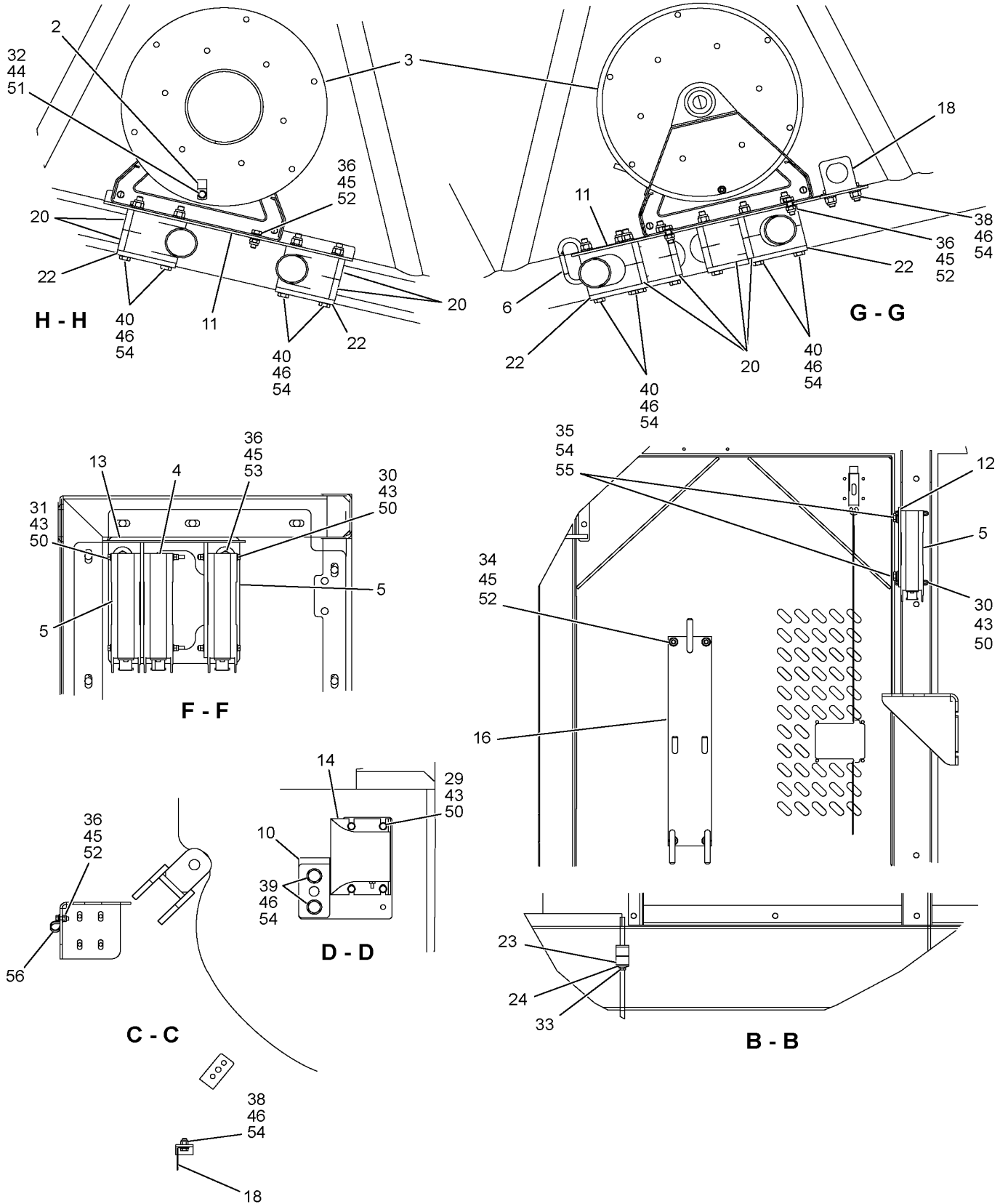
80124757

Revision: **A**

Item	FN	Part	Qty	Description
1		1965272	2	CATCH
2		1965291	1	FRONT DRUM BRAKE PEDAL
				INCLUDES THE FOLLOWING PARTS
	+	1965299	1	PEDAL FRONT DRUM BRAKE
3		1965301	1	REAR DRUM BRAKE PEDAL
				INCLUDES THE FOLLOWING PARTS
	+	1965309	1	PEDAL REAR DRUM BRAKE
4		6124510	4	HHCS
5		6727500	1	BASE, SWITCH MOUNTING
6		6727510	2	BLOCK SWITCH CONTACT N.O.
7		6727530	1	SWITCH KEY 3 POS CENTER RETURN
8		7103040	4	L WASHER

+ SEE FURTHER BREAKDOWN THIS GROUP

Manitowoc Cranes



Manitowoc Cranes

Description

LIMIT SWITCH MOLDED 3P SUBASSY

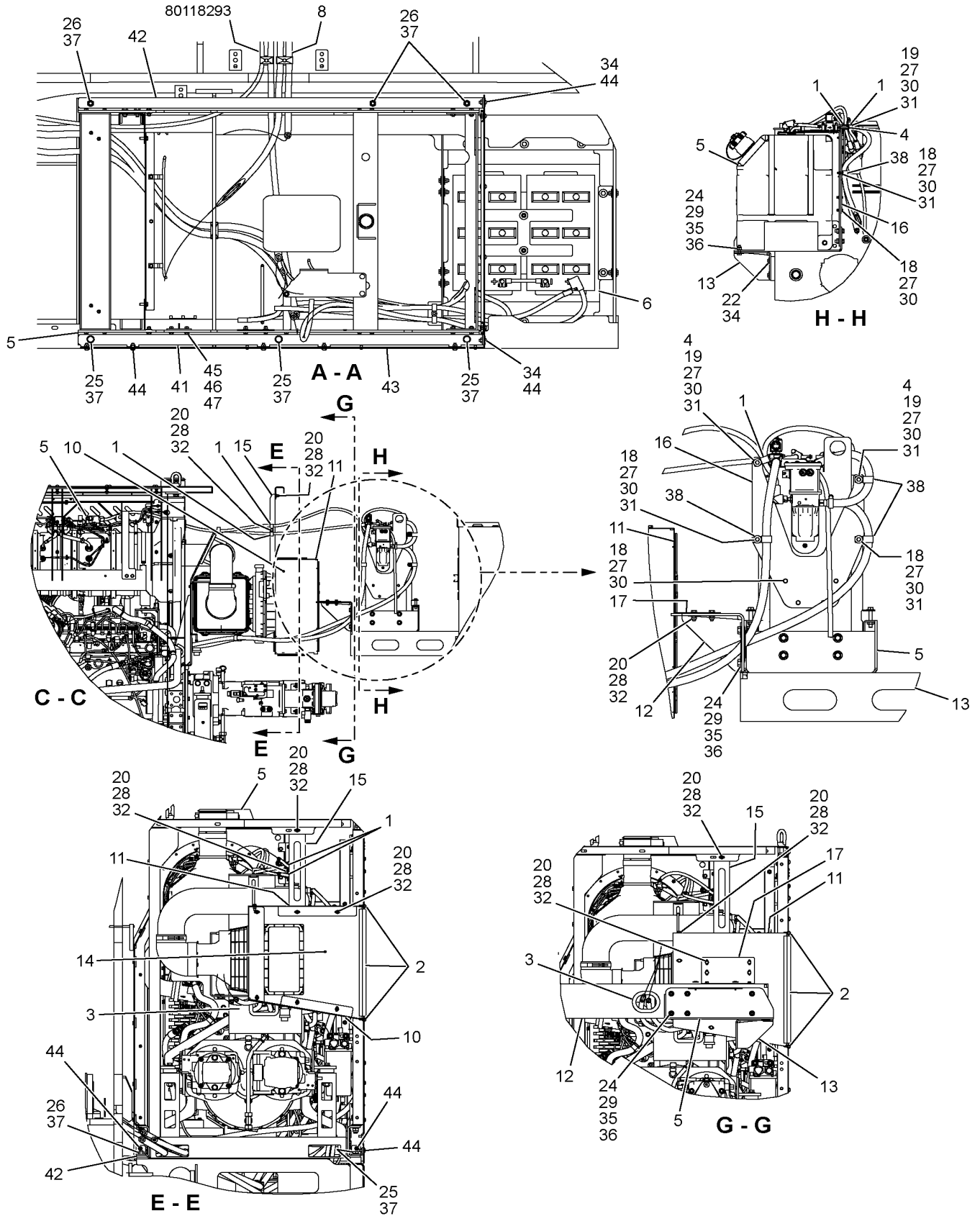
Assembly No.

80129368

Revision: **A**

Item	FN	Part	Qty	Description
1		80129250	1	CABLE GLAND NPT 0.50 ID 4-10
2		80129369	1	CABLE
3		810161270	1	SWITCH, LIMIT
20		80129369	2	CABLE
21		2972110	1	CABLE, WIRE

Manitowoc Cranes

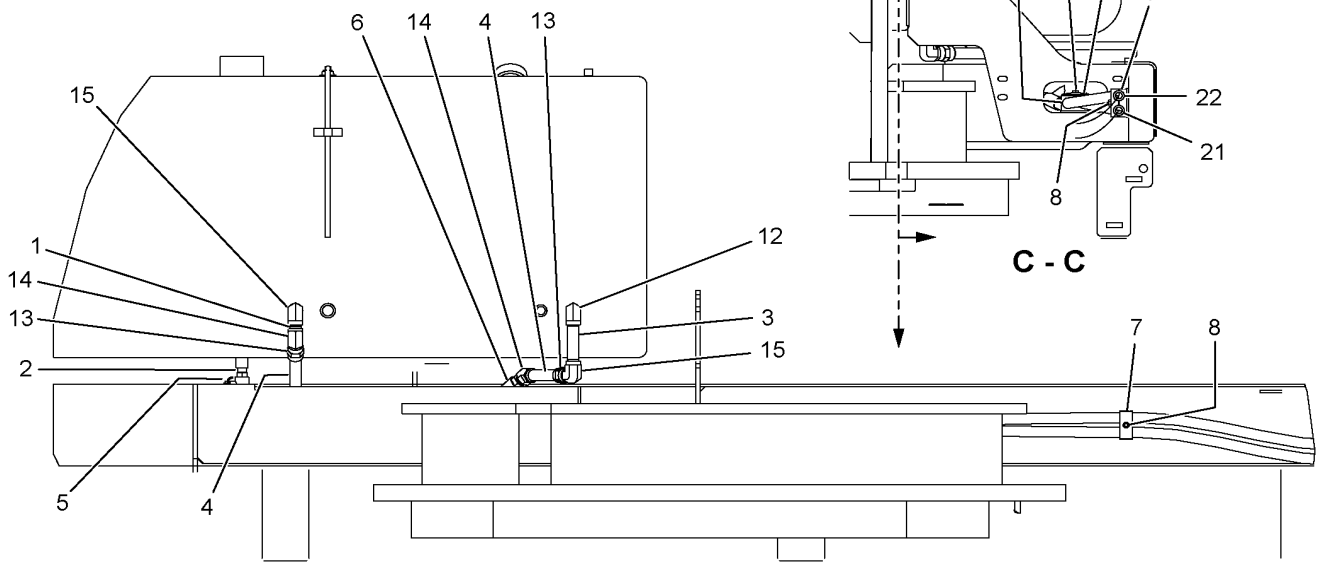
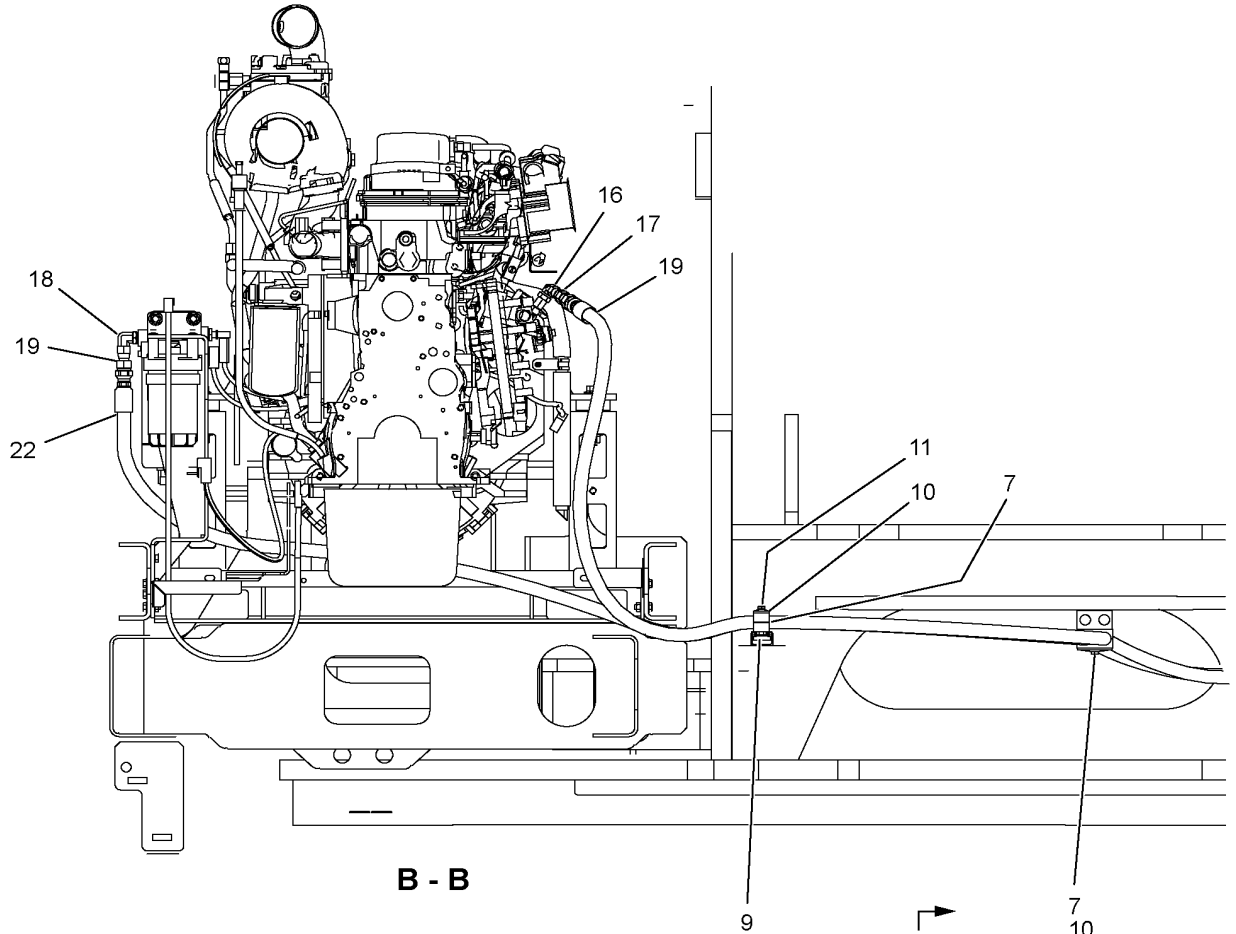


Manitowoc Cranes

Description ENCLOSURE ASSY ENGINE				Assembly No. 80122757 Revision: D
Item	FN	Part	Qty	Description
1		7115140450	2	HHCS 1/4-20UNCX0.50 G5
2		7123131418	5	SBCS M5 X 35 SS
3		7126191118	48	SBCS M10X20 ISO 7380
4		7126191218	46	SBCS M10x25 SS ISO 7380
5		7126191853	4	HHCS M10X55
6		7127241353	1	HHCS FULL THREAD
7		7127242253	3	SCR CAP HEX HD M16-2 X 75 10.9
8		7661130803	5	LOCKNUT
9		7661190803	12	HEX LOCK NUT M10 -8 ISO 7040
10		7661240803	3	NUT M16
11		7950140141	2	WASHER, FLAT 1/4" PLAIN NARROW
12		7951130014	5	F WASHER 5 ST ISO 7089
13		7951190014	70	F WASHER 10
14		7951190054	32	FLAT WASHER 10 100HV FLZ
15		7951240014	2	FLATWASHER 16MM I.D.
16		80107811	2	HINGE SURFACE MOUNT 75X100
17		80108730	1	DOOR RETAINER
18		80122690	2	PLATE 6X25X140
19		80122716	2	BRACKET DOOR LATCH
20		80122719	2	BUMPER 25.4X19.1
21		80122720	5	SPACER 5.3X10X20
22		80122765	1	FRAME ENCLOSURE
23	+	80122770	1	PANEL ENCLOSURE
24		80122777	1	SHEET METAL ENCLOSURE
25	+	80128156	1	DOOR ENCLOSURE ENGINE
26		80129237	1	FRAME ENCLOSURE
27		80122788	1	PANEL ENGINE TOP
28		80122793	1	FRAME ENCLOSURE
29		80129241	1	PANEL ENCLOSURE
30		80122797	4	EYE NUT M16 SS
33		80129240	1	PANEL ENCLOSURE
34		80115042	4	SPACER 25.0 LG FOR M10 BOLT
35		81015831	2	RUBBER 0.50X0.13X38.0 SILICONE

+ SEE FURTHER BREAKDOWN THIS GROUP

Manitowoc Cranes



Manitowoc Cranes

Description

HYD LINES INSTL CARBODY

Assembly No.

80115273

Revision: **D**

Item	FN	Part	Qty	Description
68		810275970	7	CHANNEL ANCHOR CLAMP
69		810275980	1	CHANNEL ANCHOR CLAMP
70		810276040	7	COVER PLATE
71		810276050	1	COVER PLATE
72		810276300	2	PLATE
73		810293140	2	FITTING ADAPTER STRAIGHT
74		810301870	2	Q DISCON FITTING
75		810301880	2	Q DISCON FITTING
76		81037850	24	SBCS
78		84034311	2	CLAMP 1.10 DIA DIN3015
79		84037618	1	VALVE CHECK -120RBX-120RFS
80		A067440	4	FITTING ADAPTER STRAIGHT
81		7126171753	1	CAP SCREW, M8X50 HEX HEAD
85		80121078	2	PLUG DUST -04 ORB
86		80121079	2	CAP DUST -04 ORB
87		810039150	2	CAP DUST
88		810043080	2	CAP DUST
89		810043090	2	PLUG DUST
90		810121670	2	CAP DUST

Manitowoc Cranes

Description

ROLLER ASSY CRAWLER FRONT

Assembly No.

80112367

Revision: **A**

Item	FN	Part	Qty	Description
1		1703732	2	BUSHING
2		80112366	1	ROLLER FRONT MACHINING
3		6201400	2	DOWEL, SCREW

Manitowoc Cranes

Description
Q DISCON FITTING

Assembly No.
810039130
Revision:

Item	FN	Part	Qty	Description
1		810120130	1	REPAIR KIT F

Manitowoc Cranes

Description

ESI FREEFALL DRUMS 1 & 2

Assembly No.

80125095

Revision: **A**

Item	FN	Part	Qty	Description
1		80123465	1	WIRING HARNESS WRR3
2		80123465	1	WIRING HARNESS WRR3

Manitowoc Cranes

Description
ESI BUTT ASSY #350

Assembly No.
80126798
Revision: C

Item	FN	Part	Qty	Description
1		3490060	1	CLIP
2		5911170	1	REEL
3		7126171253	1	HHCS M8X25 8.8 ISO 4017
4		7126191353	4	HHCS
5		7126211353	2	HHCS
6		7126212953	8	HHCS M12x130 -8.8 ISO 4017
7		7661170803	1	NUT NYLOC M8
8		7661190803	4	HEX LOCK NUT M10 -8 ISO 7040
9		7661210803	10	HEX LOCK NUT
10		7951170014	2	F WASHER
11		7951190014	8	F WASHER 10
12		7951210014	10	F WASHER 12 -ST ISO 7089
13		80110749	1	CARABINER 15.8 OPEN 181 KG
14		80122174	1	BRACKET CABLE REEL
15		80124061	1	WIRING HARNESS WBR1
16		810254612	1	BRACKET
17		81027045	4	CLAMP 2.5 DIA DIN3015
18		810270650	4	PLATE

Manitowoc Cranes

Notes

Manitowoc Cranes

Description

DECAL KIT BOOM INSERT

Assembly No.

80115699

Revision: **A**

Item	FN	Part	Qty	Description
200		81007341	4	DECAL-LIFT POINT
201		147852	2	DECAL-DANGER-BOOM HAZARD

Manitowoc Cranes

Description

DECAL KIT BOOM INSERT

Assembly No.

80115699

Revision: **A**

Item	FN	Part	Qty	Description
200		81007341	4	DECAL-LIFT POINT
201		147852	2	DECAL-DANGER-BOOM HAZARD

Manitowoc Cranes

Description

INSERT ASSY #350 12M W/LUG

Assembly No.

80118954

Revision: B

Item	FN	Part	Qty	Description
1		5620430	4	PIN, COTTER
2		5636400	8	SAFETY PIN
3		5638230	8	PIN SAFETY
4		80118039	4	PIN 2 HOLE 70.0 DIA X 126.0 LG
5	+	80118955	1	INSERT WELD #350 12M W/LUG
6		80121465	2	STRAP 12.0 M #350
7		80121469	4	LINK #350
8		80121470	4	PIN W/HD 52.1 DIA X 64.25 LG
9		80121471	4	COLLAR 63.5 DIA X 25.0 LG
10		810254720	1	CLAMP CABLE ZINC RICH 00MAPI00
11		81026582	4	BRACKET
13		81037242	4	PIN CLEVIS
14		7126151150	2	CAP SCREW, M6X20 HEX HEAD
15		7126191750	12	HHCS M10x50 -8.8 ISO 4014
16		7661150803	2	NUT NYLOC
17		7661190803	12	HEX LOCK NUT M10 -8 ISO 7040
18		7951150014	4	F WASHER
19		7951190014	24	F WASHER 10
20		81026590	2	BRACKET
21		80130148	4	PIN 2 HOLE 19.05 DIA X 193.5

+ SEE FURTHER BREAKDOWN THIS GROUP

Manitowoc Cranes

Description
TIMBER ASSY #350 12M

Assembly No.
80123960
Revision: **B**

Item	FN	Part	Qty	Description
1		80101819	4	U-BOLT COATED 2.00 PIPE
2		80123136	4	PLATE 5 MM
5		7660152500	8	HEX LOCK NUT PA 5/16-18UNC SS
6		7950150141	16	F WASHER 5/16"
7		80129763	2	TIMBER 38.1 x 88.9 x 1520.0
8		7115153250	8	HHCS 5/16-18UNCx4 G5

Manitowoc Cranes

Alphabetical Index	Appendix A	
Description	Part	Page
#10 SEALING WASHER	80079443	53
1 1/2" I.D. HYDR HOSE ASSY STR	7555804090	189
1 1/4 HOSE STR SF X 90 SF 62	7573703779	198
1 1/4" I.D. HYDR HOSE ASSY STR	7555703591	188
1/2" I.D. HYDR ASSY STR-45 DEG	7555302302	291
1/2" I.D. HYDR HOSE ASSY STR-4	7555310802	313
1/2" I.D. HYDR HOSE ASSY STR-9	7555305821	211
1/2"ID HYDR HOSE ASSY W/O-RING	7555303620	211
24V CAB FAN	80052794	20
3/4" I.D. HOSE ASSY STR-L90	7555507003	198
3/4" I.D. HYDR HOSE ASSY STR B	7555505200	211
3/8 HOSE ASSY STR X 45 ORFS	7555201702	211
3/8" I.D. HYDR HOSE ASSY STR-9	7555202601	211
	7555215401	211
	7555215803	211
3/8" I.D. X 136"	7555213601	239
5/8" I.D. HYDR HOSE ASSY STR-9	7555406201	225
80121275 LACING KIT BUTT	80124623	351
90 DEG BACKSHELL	80123882	35
90 DEG BLK STR	80099881	21
A/C CONDENSER-VERT. MTG. 24V.	80027884	7
A2B FLAG ASSY	9333102633	249, 369
ACCU 0.5 LITER 21.7 BAR	80119725	212
ACCUMULATOR	810253160	332
ACTUATOR ROD	80122117	271
ADAPTER	90000908	33
ADAPTER, ORIFICE	7013001238	188
ADAPTER, PANTOGRAPH	90048387	19
ADAPTER, SAE ORB UNION	80069634	212
AIR COND KIT HOSES	80119713	7
ALARM	810018650	267
ANGLE INDICATOR	81039079	347
ANTENNA AM / FM	80106145	143
ARM DISPLAY MOUNT	80130281	59
ARM DISPLAY MOUNT SHORT	80117810	59
ARM, WIPER/WET 26"	90011815	33
BACKHITCH LOWER	80119134	137
BACKHITCH UPPER	80119133	137
BAR RD 1.0 (IN)	80120894	349
BASE, SWITCH MOUNTING	6727500	255

From - #10 SEALING WASHER

To - BASE, SWITCH MOUNTING

Manitowoc Cranes

Alphabetical Index	Appendix A	
Description	Part	Page
DECAL HYD FLUID LEVEL	80126200	105
DECAL KIT BASIC BOOM	80127267	97
DECAL KIT CAB	80127264	97
DECAL KIT LOWERWORKS	80127265	97
DECAL KIT UPPERWORKS	80127266	97
DECAL MANITOWOC 26" WHITE	80111361	111
DECAL MLC150-1 26" WHITE	80126740	111
DECAL MLC150-1 32" WHITE	80124957	111
DECAL MLC150-1 36" WHITE	80125098	111
DECAL NO STEP CR97281 ENGLISH	0972819	99
DECAL RADIUS	80126226	105
DECAL SETUP REMOTE	80115127	263
DECAL SHPNG BOM TOP	80126971	107
DECAL STAY CLEAR	95494	105
DECAL STOP PROGRESS	80113003	349
DECAL WARNING COOLANT BURN HAZ	A044122	105
DECAL WARNING CRUSH HAZARD	80118322	107
	A073390	101
DECAL WARNING HYD. TANK VENT	A180780	105
DECAL WARNING READ MANUAL	810015300	99
DECAL WARNING ROTATING FAN BLA	A058390	105
DECAL(EN) WARNING CRUSH HAZARD	0987399	101
DECAL, POWER OFF	A114500	105
DECAL, POWER ON	A114510	105
DECAL, A2B	9333102618	251, 371
DECAL, WARNING UNDER THE SEAT	90041497	42
DECAL-CAUTION-REMOTE CAUTION-R	1728592	99
DECAL-DANGER-BOOM HAZARD	147852	107, 375, 377, 379, 385
DECAL-HAND SIGNALS	184679	99
DECAL-LIFT POINT	81007341	107, 375, 377, 379, 385
DECAL-OPERATORS MANUAL WARNING	1768822	99
DECAL-WARNING ULTRA LOW SULFUR	7376102946	277
DECAL-WARNING-CRUSH HAZARD	176856	101
DIODE	A029470	79
DISCONNECT	810029580	189, 199
DISPLAY CCS COLOR	84054782	59
DIVIDER, FRESH/RECIRCULATE	90041494	42
DOME LIGHT	80106919	57
DOOR ASSY ENCL	80128164	153, 167
	80128178	167

From - DECAL HYD FLUID LEVEL

To - DOOR ASSY ENCL

Manitowoc Cranes

Alphabetical Index	Appendix A	
Description	Part	Page
HOSE ASSY -32 X 575 LG	80122025	188
HOSE ASSY -32 X 790 LG	80122024	188
HOSE ASSY -8 X 179 LG	7555317921	175
HOSE ASSY -8 X 181 LG	7555318123	175
HOSE ASSY -8 X 184 LG	7555318423	175
HOSE ASSY -8 X 1880 LG	80122001	225
HOSE ASSY -8 X 2160 LG	80121990	219
HOSE ASSY -8 X 2780 LG	80124722	175
	80124723	175
HOSE ASSY -8 X 415 LG	80123679	113
HOSE ASSY CODED	7555204902	239
	7555214501	211
	7555502302	187
	7555508201	212
	7555604503	232
HOSE ASSY CODED -8 X 121 LG	7555312121	314
HOSE ASSY CODED -8 X 130 LG	7555313023	313
HOSE ASSY CODED, .375 ID X 25	7555202501	211
HOSE ASSY CRAWLER TENSION	80114643	117
HOSE ASSY SUCTION	80118675	188
	80118703	188
HOSE ASSY, 1/2" I.D. X 135" LONG	7555313501	211
HOSE ASSY, 1/2" I.D. X 20" LONG	7555302001	239
HOSE ASSY, 1/2" I.D. X 28" LONG	7555302801	214
HOSE ASSY, 3/4" I.D. X 30" LONG	7555503001	187
HOSE ASSY, 3/8" ID X 26" LG	7555202681	198
HOSE ASSY, 3/8" I.D. X 16" LONG	7555201601	211
HOSE ASSY, 3/8" I.D. X 178" LONG	7555217801	211
HOSE ASSY, 3/8" I.D. X 21" LONG	7555202101	212
HOSE ASSY, 3/8" I.D. X 27" LONG	7555202700	211
HOSE ASSY, 3/8" I.D. X 38" LONG	7555203801	187
HOSE ASSY. #6	90018842	9
HOSE ASSY. 3" LG	90022803	42
HOSE ASSY. 8"	90041501	42
HOSE ASSY. 90DEG	90022804	41
HOSE ASSY. DUCT 3" X 5' LG	90041499	42
HOSE CLAMP SPR INS 0.79-1.26IN	80112785	7
HOSE, DRAIN LINE 1/2" X 15FT	90018883	42
HOUSING FOOT PEDAL	A020212	79
HOUSING, BLOWER	90041485	41
HOUSING, FILTER	90041491	41

From - HOSE ASSY -32 X 575 LG

To - HOUSING, FILTER

Manitowoc Cranes

Alphabetical Index	Appendix A	
Description	Part	Page
PLUG	7711160002	198, 232, 240
	80055044	53
	810249210	177, 217, 223
	810249240	113
	90024174	181
PLUG DUST	810043090	315
PLUG DUST -04	80121002	331
PLUG DUST -04 ORB	80121078	315
PLUG DUST -06	80121003	331
PLUG DUST -12	80121005	331
PLUG DUST -24	80121008	331
PLUG HOLE 0.625 DIA HOLE	A039400	71
PLUG HOLE 0.812 DIA CLOSURE	A182140	88
PLUG HOLE 1.63 ID HOLE RUBBER	80106106	59
PLUG INSTALLATION	80079452	15
PLUG O RING	7711060001	212
PLUG QIK DRN -16 ORB	81024945	191
PLUG ROUND	80121870	327
PLUG SAE #12	7711120002	232
PLUG SEALING	5725230	263
PLUG(2S) ENHANCED FRONT&E-SEAL	80123803	35
PLUG, 2 SOCKET	7709000844	42
PLUG, FLANGE	7450000403	188
PLUG, L SERIES LH1 PANEL	7242100005	57, 59
PLUG, PIPE	5717030	307
	5717040	323
PLUG, SEALING	7689000503	33
PLUG,#6 SAE	7711060002	198
PLUG,#8 SAE	7711080002	232
POTENTIOMETER	A023050	79
POWER SUPPLY	A118130	71
PRINTED PANEL CAB OVERHEAD LH	80102352	57
PRINTED PANEL CAB OVERHEAD RH	80102349	57
PRINTED PANEL CONSOLE LH	80124615	65
PRINTED PANEL CONSOLE RH DRUMS	80123294	59
	80124546	253
PRINTED PANEL CONSOLE RH FRONT	80104827	59
PRINTED PANEL CONSOLE RH REAR	80124397	59
PROFILE - DOOR SEAL	80081910	19
PUMP 130 CC/REV	80117861	293
PUMP 130CC/REV	80118276	293

From - PLUG

To - PUMP 130CC/REV

Manitowoc Cranes

Alphabetical Index	Appendix A	
Description	Part	Page
TUBE ASSY SUCTION	80118661	188
	80121755	232
TUBE ASSY SUCTION FF	80130781	232
TUBE ASSY SUPPLY	80120633	199
	80120634	199
TUBE ASSY TANK RETURN	80119059	188
TUBE ASSY TRAVEL	80120635	199
	80120636	199
	80120637	199
	80120638	199
	80126394	314
TUBE NYLON .25OD X 0.05W X145	81026929	115
TUBE RD .25 OD X .05 W X 97 L	81026686	115
TUBE ROUND	810223760	115, 179
	810268940	115
	810269310	115
TUBE, PREFORMED	A110300	191
TUBING, HEAT SHRINK 1/2" I.D.	8594100257	35
TUBING, POLYOLEFIN	A197740	263
TUMBLER MACHINING	80112675	327
U-BOLDT .25-2OUNC 1.25 ID SS	80105532	57
U-BOLT .375-16 X 2.0 SQUARE	80104840	65
U-BOLT COATED 2.00 PIPE	80101819	373, 391, 399, 405, 411
VALVE	7019160	307
	7019170	307
	80127217	191
	90041250	41
VALVE 6 SECTION	80117075	198
VALVE ASSEMBLY, BUTTERFLY VALV	A151190	191
VALVE ASSY QUICK DRAIN	810249430	117
VALVE CHECK -120RBX-120RFS	84037618	315
VALVE CHECK -120RFS X -120RB	84037612	189, 213
VALVE CHECK -160RBX-160RFS	84037619	232, 240
VALVE CHECK 2 BAR -32 CODE 61	810255780	189
VALVE CHECK -60RFS X -60RB	84037609	213, 240
VALVE CHECK -80RFS X -80RB	84037610	213
VALVE CHECK/ORIFIC .025 IN	80123446	175
VALVE DIRECTIONAL 2P2W	80117161	212
VALVE FLOW CONTROL 0.8 GPM	80118274	212
VALVE FLOW CONTROL 10 LPM	80108145	214, 240
VALVE FREE FALL	80120184	232
VALVE FREE SPOOL	80129723	240
VALVE HIGH PRESS ACC	80116914	212

From - TUBE ASSY SUCTION

To - VALVE HIGH PRESS ACC

Manitowoc Cranes

Numeric Index		Appendix B
Part	Description	Page
7110151205	SHCS 5/16-18UNCx1.5 A574	249, 369
7110161405	SHCS 3/8-16UNCx1.75 A574	291
7111040610	SLOT RMS #4-40UNCX0.75 G1	88
7111080311	Slot PMS #8-32UNCx0.38 G1	20
7111080610	SLOT RMS #8-32UNCX0.75 G1	49
7111100411	SLOT PMS #10-24UNCX0.5 G1	47
7111151064	C BOLT 5/16-18UNCX1.25 G1	353
7114153664	C BOLT SQUARE	373
7114260	F WASHER	109
7114330	WASHER	60, 65, 91, 261
7115140450	HHCS 1/4-20UNCX0.50 G5	153, 159, 167, 295, 297
7115140550	HHCS 1/4-20UNCX0.63 G5	71, 87
7115140650	HHCS 1/4-20UNCX0.75 G5	9
7115140850	HHCS 1/4-20UNCX1.00 G5	13
7115141050	HHCS 1/4-20UNCX1.25 G5	23
7115153250	HHCS 5/16-18UNCx4 G5	391, 399, 405, 411
7115160650	HHCS 3/8-16UNCX0.75 G5	23, 47, 231
7115160850	HHCS 3/8-16UNCX1 G5	23
7115161050	HHCS 3/8-16UNCX1.25 G5	261, 291
7115161250	HHCS 3/8-16UNCX1.5 G5	288
7115162250	HHCS 3/8-16UNCx2.75 G5	197
7115181050	HHCS 1/2-13UNC X 1.25 GR5	313
7115201450	HHCS 5/8-11UNCx1.75 G5	197
7118180950	HHCS 1/2-13UNCX1.13 G8	293
7118182650	HHCS 1/2-13UNC X 3.25 GR8	197
7118201450	HHCS 5/8-11UNCX1.75 G8	293
7121091101	SCREW, MACHINE M3X20 - 4.8	91
7121110801	MACHINE SCREW, M4X12 SLOTTED	20
7121111101	MACHINE SCREW, M4X20 SLOTTED	20, 91
7121151001	SLOT, PMS M6X16	88
7121151101	SLOT PMS M6X20 -4.8 ISO 1580	65
7121151201	SLOT, PMS M6X25	88
7123130918	SBCS M5x14 A2 ISO 7380	153, 167
7123131218	SBCS M5 X 20 SS	155, 169, 171, 299
7123131418	SBCS M5 X 35 SS	153, 167, 295
7126091100	SLOT FMS M3X20 -8.8 ISO 2009	77
7126091254	SHCS 3 X 25 8.8	309
7126111053	HHCS M4X16 8.8 ISO 4017	53
7126111253	HHCS M4x25 -8.8 ISO 4017	77

From - 7110151205

To - 7126111253

Manitowoc Cranes

Numeric Index		Appendix B
Part	Description	Page
7661130803	LOCKNUT	153, 155, 167, 169, 171, 179, 268, 295, 299, 367
7661150003	NUT, HEX	19, 51, 59, 75, 77
7661150803	NUT NYLOC	7, 93, 149, 232, 268, 287, 301, 360, 387, 395, 401, 407
7661151103	HEX LOCK NUT M6	88, 212
7661170003	NUT	47, 81, 179, 360
7661170103	NUT	271
7661170803	NUT NYLOC M8	7, 175, 188, 200, 212, 240, 268, 287, 314, 355
7661171103	HEX LOCK NUT M8 8 ISO 7719	360
7661190003	NUT, HEX 10MM	19, 301
7661190004	NUT	115
7661190803	HEX LOCK NUT M10 -8 ISO 7040	3, 7, 93, 149, 153, 155, 159, 161, 167, 169, 171, 173, 175, 188, 212, 268, 295, 297, 299, 301, 355, 360, 387, 395, 401, 407
7661190804	HEX LOCK NUT M10	131, 137, 323
7661210003	NUT, HEX 12MM N.C.	3, 149, 360
7661210803	HEX LOCK NUT	133, 149, 268, 287, 355
7661210804	HEX LOCK NUT	88, 113, 131, 137, 175, 188, 198, 212, 232, 314
7661220804	NUT LOCK NYL INS	198
7661240003	HEX NUT M16	349, 360
7661240103	NUT	177, 339
7661240803	NUT M16	291, 295
7661240804	HEX LOCK NUT PA	329
7661270103	NUT	217, 223
7689000503	PLUG, SEALING	33
7689000704	PIN, 16 - 14 GA	33, 42
7689000797	PIN (12) 12-14GA	42
7689001782	PIN, 18 - 16 GAGE	145
7690021210	PIN, 3/32" X 3/4" LONG COTTER	23, 167
7690052410	COTTER PIN	149
7690102010	COTTER-3/16" X 1.25LG.	331
7709000844	PLUG, 2 SOCKET	42
7711060001	PLUG O RING	212
7711060002	PLUG,#6 SAE	198
7711080002	PLUG,#8 SAE	232
7711120002	PLUG SAE #12	232

From - 7661130803

To - 7711120002

Manitowoc Cranes

Numeric Index		Appendix B
Part	Description	Page
80115488	HOIST DRUM 2 FF	223
80115492	HOIST DRUM 3	235
80115663	CAP DUST -4	331
80115669	CAP DUST -24	331
80116362	BRACKET SEAT PLATE	81
80116572	BRACKET TIMBER	137
80116725	ROPE GUARD 50.80DX6.35WX753LG	359
80116889	CRAWLER MACHINING	323
80116892	GEARBOX TRAVEL	327
80116893	CRAWLER DRIVE ASSY	323
80116897	GEARBOX SWING GEARBOX	113
80116914	VALVE HIGH PRESS ACC	212
80116915	VALVE LOW PRESS ACC	212
80116916	CYL HYD GANTRY RAISING	137
80116918	CYL HYD CARBODY PIN PULLER	321
80116944	SLEWING RING BRG	109
80116971	MOTOR HYD 170 CC/REV	217, 223
80116973	MOTOR HYD TRAVEL	327
80117003	HYD MOTOR 107 CC/REV	177
80117075	VALVE 6 SECTION	198
80117088	VALVE THERM BYPASS	232
80117161	VALVE DIRECTIONAL 2P2W	212
80117304	COUNTERWEIGHT TRAY MACHINING	135
80117306	COUNTERWEIGHT UPPER BOX	95, 135
80117391	ELEC CABLE GND STRAP 1350MM	60
80117430	CYL HYD CARBODY JACKING	339
80117435	ELEC CABLE GROUND STRAP 1025MM	55
80117454	PUMP VARIABLE 56 CC/REV	293
80117457	SWIVEL 10 CIRCUIT	198
80117502	PIN 100.0 X 212.0 LG	131
80117503	PLATE 12 MM	131
80117504	SHAFT PIN PULLER	131
80117548	CARBODY MACHINING	309
80117703	INSERT WELD #350 6M	387
80117705	INSERT WELD #350 12M	401, 407
80117789	TUBE 2.00 OD X .095 W (INCH)	389, 397, 403, 409
80117790	TUBE 2.00 OD X .120 W (INCH)	389, 397, 403, 409
80117810	ARM DISPLAY MOUNT SHORT	59
80117813	TUBE 2.00 OD X .095 W (INCH)	389, 397, 403, 409

From - 80115488

To - 80117813

Manitowoc Cranes

Numeric Index		Appendix B
Part	Description	Page
80123380	HOSE ASSY -24 X 1885 LG	199
80123381	HOSE ASSY -24 X 2370 LG	199
80123382	HOSE ASSY -24 X 2090 LG	199
80123438	VALVE RELIEF 17 BAR	188
80123446	VALVE CHECK/ORIFIC .025 IN	175
80123464	WIRING HARNESS WCE1	261
80123465	WIRING HARNESS WRR3	345
80123467	WIRING HARNESS WRL2	261
80123476	BRACKET HYD CHANNEL	199
80123478	PLATFORM 1142 MM	150
80123482	PLATFORM 1014 MM	150
80123491	PLATFORM HINGED 1170 MM	150
80123499	PIN 19.1X69 LG	150
80123500	PIN 19.1X120.0	3, 150
80123501	SPACER 19.1X38.1X12.7	3, 150
80123530	EQUALIZER ASSY	347
80123531	EQUALIZER MACH	353
80123534	BRACKET SUPPORT	150
80123563	BRACKET HOSE JACKING	175
80123579	BRACKET OIL COOLER`	188
80123580	BRACKET OIL COOLER	188
80123603	BRACKET CCS NODE	267
80123605	BRACKET WASHER BOTTLE	93
80123607	WINDOW WASHER ASSY	3
80123652	SHIM SPEAKER	143
80123679	HOSE ASSY -8 X 415 LG	113
80123680	FITTING STR -8NPT X -8NPT	113
80123681	BRACKET BULKHEAD	113
80123686	CRAWLER PAD ASSY	323
80123687	PLATE 6MM COVER	323
80123731	RETAINING RING EXT 80 MM SHAFT	323
80123732	PIN 80.0 DIA X 108.0 LONG	323
80123734	BRACKET CCS NODES	267
80123803	PLUG(2S) ENHANCED FRONT&E-SEAL	35
80123832	PIN 130.0 dia x 161.0 lg	347
80123833	PLATE 12MM	347
80123834	PIN 2 HOLE 69.9 DIA X 203.0 LG	347
80123879	CONSOLE CONTROL ASSY CAB	13
80123880	CONSOLE RIGHT HAND ASSY	55

From - 80123380

To - 80123880

Manitowoc Cranes

Numeric Index		Appendix B
Part	Description	Page
810291740	F WASHER	88
810293140	FITTING ADAPTER STRAIGHT	315
810301870	Q DISCON FITTING	315, 332
810301880	Q DISCON FITTING	315, 332
81031888	PIN 2 HOLE	401, 407
810334040	SLEEVE .19 WOVEN WRAP SPLIT	191
810338510	SENSOR PRESSURE DIFFERENTIAL	189
810339312	COVER	323
81034257	BLOCK NYLON	138
810346082	ROD	323
810346092	SPACER	323
81035218	PIN 2 HOLE	323
81035522	SWITCH MOMENTARY NO HORN	59
81037150	FLANGE TEE -16 CODE 62 TO -16	240
81037242	PIN CLEVIS	360, 387, 395, 401, 407
81037302	OUTRIGGER PAD WELDMENT	341
81037743	PIN 2 HOLE	321
81037850	SBCS	113, 175, 189, 200, 213, 232, 315
81037949	MANIFOLD	198
81037980	SWITCH PUSH BUTTON RED	59, 263
81039079	ANGLE INDICATOR	347
81039710	PIN 1 HOLE W/HD	150
81041239	PIN	332
81042145	LIMIT SWITCH ARM ADJUSTABLE	267
81042403	EYE BOLT M12 X 1.75 24	360
84020350	FITTING STRAIGHT G1/4 X -6 SA	240
84022974	HEAT SHRINK TUBING 16/4	191
84034311	CLAMP 1.10 DIA DIN3015	213, 315
84036352	RELAY CONTACTOR 28VDC 120A	77
84037609	VALVE CHECK -60RFS X -60RB	213, 240
84037610	VALVE CHECK -80RFS X -80RB	213
84037612	VALVE CHECK -120RFS X -120RB	189, 213
84037618	VALVE CHECK -120RBX-120RFS	315
84037619	VALVE CHECK -160RBX-160RFS	232, 240
84039672	FLANGE TEE -20 CD62 -12 ORB	200
84041621	SWITCH VACUUM HYDRAULIC	189
84044204	WRENCH STRAP	117
84044446	ELEC COMPONENT PARALLEL SPLICE	263
84046513	FLANGE CODE 61, -16 BLKG MM	200

From - 810291740

To - 84046513

CLICK HERE TO **DOWNLOAD** THE COMPLETE MANUAL

- Thank you very much for reading the preview of the manual.
- You can download the complete manual from: www.heydownloads.com by clicking the link below



- Please note: If there is no response to CLICKING the link, please download this PDF first and then click on it.

CLICK HERE TO **DOWNLOAD** THE COMPLETE MANUAL