

# Manitowoc Cranes MACHINE COMPONENT INDEX

Date: November 03, 2021

Rev: 003

<u>Model Number</u> MLC100A-1		<u>Serial Number</u> 91001051	
Item	Part	Description	Page
1	84054265	<b>ROTATING STRUCTURE</b> CAB INSTL CAB MOUNTING ASSY	3
	84055197	CAB ASSY	5
	80103175	CAB ASSY 24V CCS PURCHASED	7
	80113644	CAB - SUB ASSY 24V CRAWLER	11
	80103172	GLASS DOOR ASSEMBLY	17
	80071856	WINDOW ASSY. RH SIDE	21
	90039109	GLASS ASSY. SLIDING	23
	90039110	GLASS ASSY. FIXED	25
	80118622	LIGHT ASSEMBLY-LED FLOOD	
	80004449	KIT - FRONT WIPER (24 VOLT) (COMPLETE ASSEMBLY)	27
	80124600	WORK LIGHT HA - JUMPER	29
	80102531	HEATER & AC INSTALL CAB 24V	31
	80089969	KIT - 24V HEATER/COOL	35
	80104074	CAB ACOUSTICS INSTALLATION	39
	80104075	MISC CAB COMPONENTS INSTALL	41
	80104188	INSTL, CAB BRACKETS	43
	80104189	INSTL, CAB PEDAL GROUP	45
	80079452	PLUG INSTALLATION	47
	80117809	CONSOLE CONTROL ASSY CAB	49
	80102334	CONSOLE OVERHEAD ASSY	51
	80117366	CONSOLE RIGHT HAND ASSY	55
	84054782	DISPLAY CCS COLOR	59
	80102336	CONSOLE LEFT HAND ASSY	63
	A024680	CONTROLLER, JOYSTICK	65
	80102338	CONSOLE REAR ASSY	69
	80107986	PANEL ASSY ELEC REAR CAB UPPER	71
	80107988	PANEL ASSY ELEC REAR CAB LOWER	73
	80107991	PANEL ASSY ELEC REAR CAB INNER	75
	A02019	FOOT PEDAL ASSY THROTTLE CONTR	77
	84055199	SEAT ASSY CAB	79
	84055200	INSTL, CAB INTERIOR	85
	84055201	ESI CAB INTERIOR WIRING	89

CLICK HERE TO **DOWNLOAD** THE COMPLETE MANUAL

- Thank you very much for reading the preview of the manual.
- You can download the complete manual from: [www.heydownloads.com](http://www.heydownloads.com) by clicking the link below



- Please note: If there is no response to CLICKING the link, please download this PDF first and then click on it.

CLICK HERE TO **DOWNLOAD** THE COMPLETE MANUAL

# Manitowoc Cranes

Description  
**CAB INSTL CAB MOUNTING ASSY**

**Assembly No.**  
**84054265**  
**Revision: B**

Item	FN	Part	Qty	Description
1	+	84055197	1	CAB ASSY
2		5483450	4	NUT, HEX LOCK
3	#	7638000203	4	MOUNT, SHOCK
4		7949000148	8	WASHER, 5/8" I.D. FLAT
5	+	80108575	1	WINDSHIELD WASHER ASSY

+ SEE FURTHER BREAKDOWN THIS GROUP

# SERVICED AS AN ASSEMBLY ONLY

# Manitowoc Cranes

Description

**CAB - SUB ASSY 24V CRAWLER**

Assembly No.

**80113644**

Revision: **F**

Item	FN	Part	Qty	Description
74	+	<b>80124600</b>	2	WORK LIGHT HA - JUMPER
75		<b>80099881</b>	2	90 DEG BLK STR
76		<b>80104186</b>	1	MAT, FLOOR
77		<b>80118984</b>	2	BRACKET

+ SEE FURTHER BREAKDOWN THIS GROUP

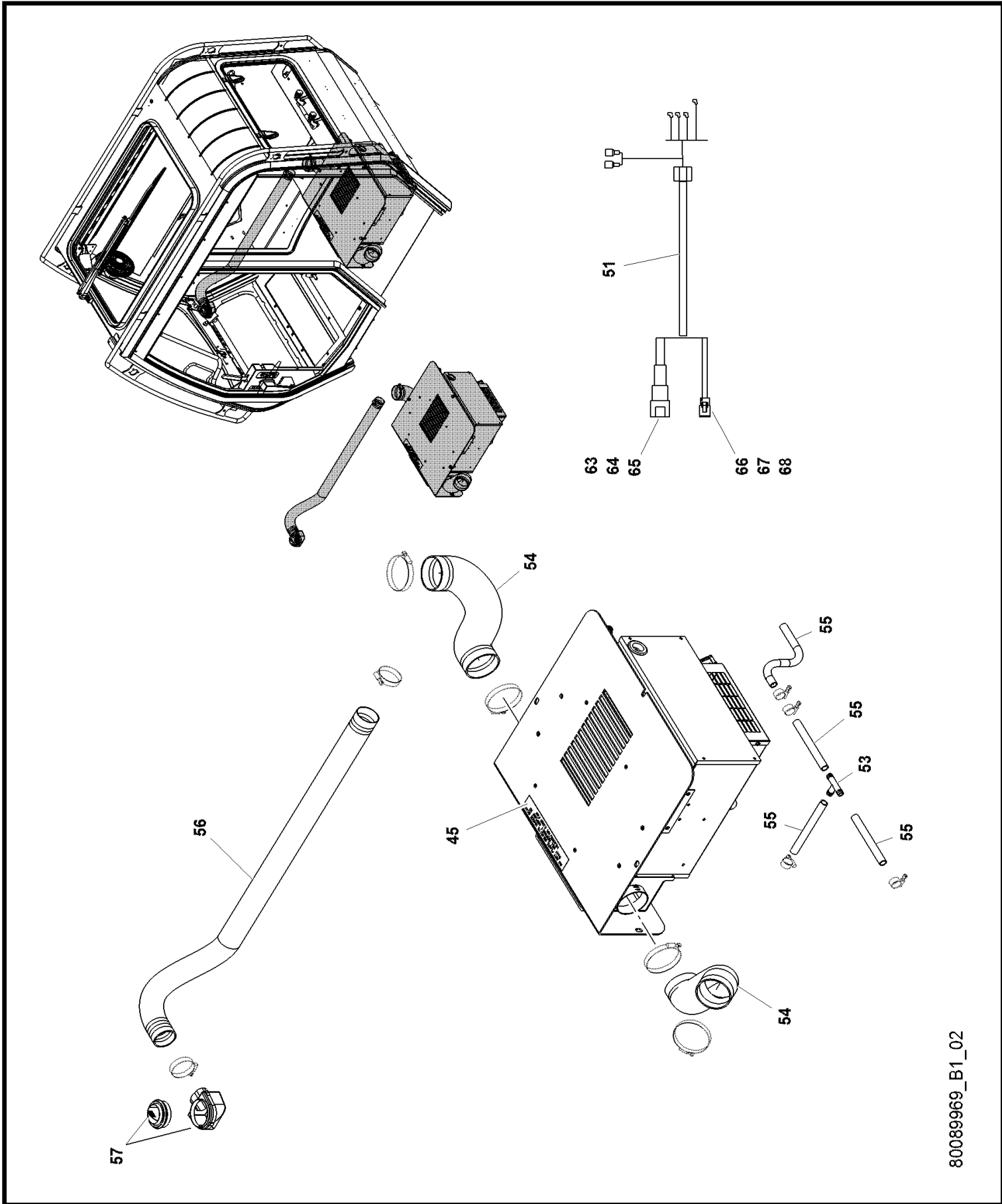
# Manitowoc Cranes

Description  
**GLASS ASSY. SLIDING**

Assembly No.  
**90039109**  
Revision:

Item	FN	Part	Qty	Description
1		<b>90038877</b>	1	GASKET, WEATHERFIN SEAL
2		<b>NSS</b>	1	NOT SERVICED SEPARATELY MOLDING, RUBBER
4		<b>NSS</b>	1	NOT SERVICED SEPARATELY GLASS, SLIDING
5		<b>90039115</b>	1	LATCH ASSY.

# Manitowoc Cranes



# Manitowoc Cranes

Description

**INSTL, CAB BRACKETS**

**Assembly No.**

**80104188**

Revision: **B**

Item	FN	Part	Qty	Description
1		7111080610	3	SLOT RMS #8-32UNCX0.75 G1
2		7126151153	4	HHCS M6X20 SS ISO 4017
3		7126171153	6	HHCS M8X20 8.8 ISO 4017
4		7126191253	8	HHCS
6		7659190021	4	NUT CLIP M6-1.0 LONG
7		7660081100	3	HEX NUT #8-32UNC SAE-2
8		7950080050	3	LOCKWASHER, 5/32" I.D.
9		7950080161	3	FLATWASHER, 5/32" I.D.
10		7951150014	4	F WASHER
11		7951150210	4	LOCKWASHER, 6MM I.D.
12		7951170014	6	F WASHER
13		7951170210	6	L WASHER
14		7951190014	8	F WASHER 10
15		7951190210	8	LOCK WASHER, 10MM
16		80016487	1	PLATE, MOUNTING
17		80016489	1	PLATE, MOUNTING
18		80089973	1	PLATE - COVER
20		80104225	1	PLATE- CAB BULKHEAD COVER
22		80104227	1	PLATE- CAB BULKHEAD COVER
23		80104233	1	PLATE- CAB RIGHT SIDE
24		80104312	1	WELDMENT - LEVEL BUBBLE



# Manitowoc Cranes

<u>Description</u> <b>CONSOLE LEFT HAND ASSY</b>				<b>Assembly No.</b> <b>80102336</b> Revision: D
Item	FN	Part	Qty	Description
1		80123369	1	CONSOLE LEFT HAND MOLDED
2		80050812	1	CONTROLLER
3	+	A024680	1	CONTROLLER, JOYSTICK
4		80104269	1	PRINTED PANEL CONSOLE SWING BO
5		80104274	1	PRINTED PANEL CONSOLE LH
6		7364100178	2	BEZEL, L-SERIES END PIECE LME
7		80104840	1	U-BOLT .375-16 X 2.0 SQUARE
8		03194044	1	EASYTOUCH SWITCH
9		03240752	1	BRACKET ASSY INCLUDES THE FOLLOWING PARTS
		03240751	1	BRACKET
		03318989	2	RIVET-NUT KNURLED
10		3050130	1	CAP
11		5899750	1	RECEPTACLE
12		80106797	1	BRACKET THROTTLE MOUNTING
13		A030150	1	KNOB THROTTLE MOLDED BLACK
14		A028570	1	HSSS CUP
16		810019600	1	NAMEPLATE
17		84055194	1	WIRING HARNESS WCL1
18		7114330	1	WASHER
19		5469560	1	NUT PANEL
20		7950080450	8	LOCKWASHER, 5/32" I.D.
21		7951130014	2	F WASHER 5 ST ISO 7089
22		6184170	8	PHIL TMS 8-32UNC X 0.50 GR 1
23		6184180	3	PHIL TMS 10-32UNF X 0.50 GR 5
24		80104277	1	DECAL ENGINE THROTTLE
25		7121151101	2	SLOT PMS M6X20 -4.8 ISO 1580
26		5460540	2	NUT, HEX
28		A030300	2	PHIL OMS
29		7103040	2	L WASHER
30		7242100005	2	PLUG, L SERIES LH1 PANEL
31		7660102534	4	HEX LOCK NUT PA #10-32 UNF SS
32		810219110	4	PHIL TMS
33		03194043	1	BOWDEN WIRE
34		6670070	3	STRAP
35		7258001451	2	CAP, 1/4"

+ SEE FURTHER BREAKDOWN THIS GROUP

# Manitowoc Cranes

Description

**PANEL ASSY ELEC REAR CAB LOWER**

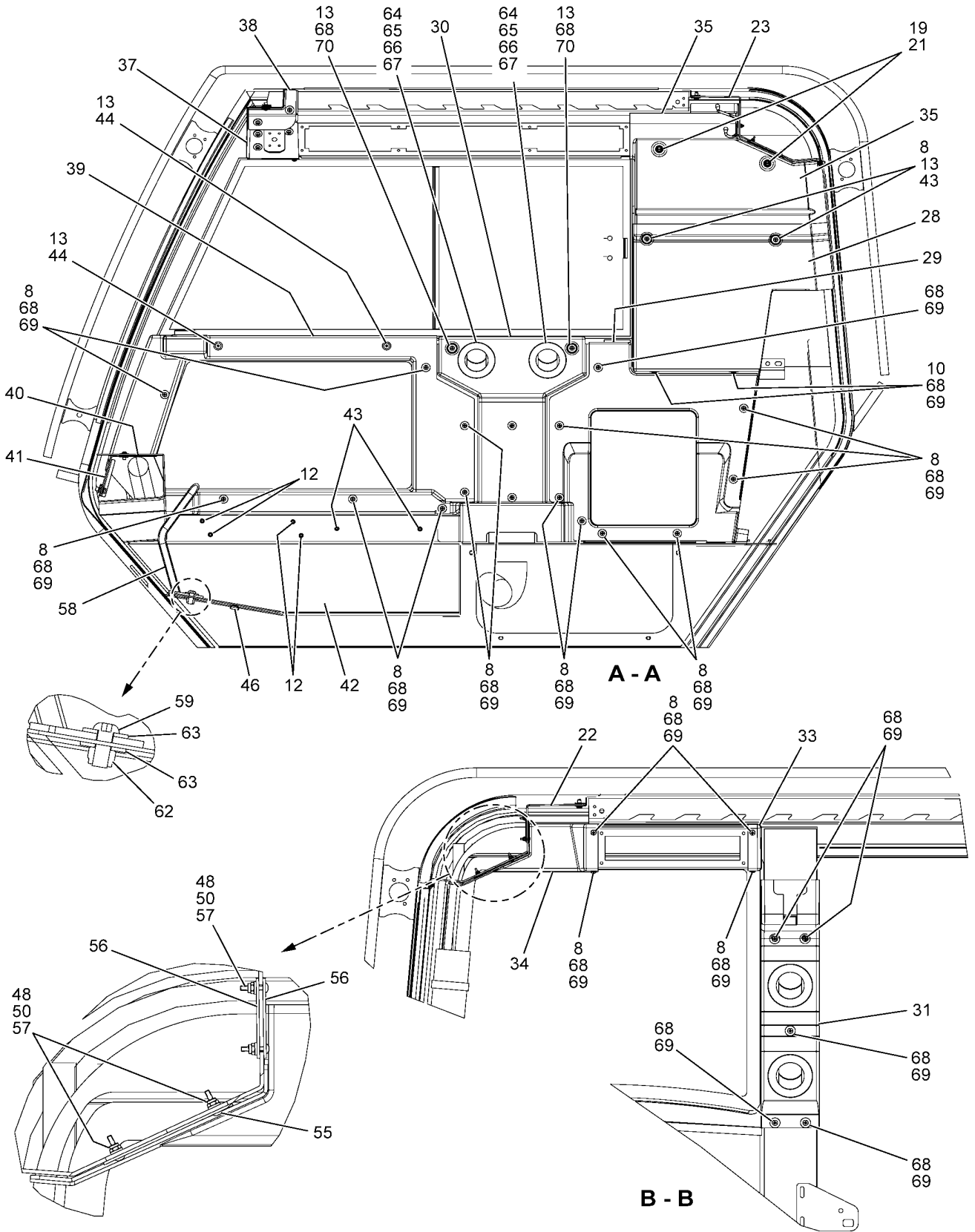
Assembly No.

**80107988**

Revision: **A**

Item	FN	Part	Qty	Description
1		<b>80107989</b>	1	PANEL REAR ELEC LOWER
2		<b>275324</b>	1	BREAKER CIRCUIT 120 AMP
3		<b>7951150210</b>	2	LOCKWASHER, 6MM I.D.
4		<b>7126151153</b>	2	HHCS M6X20 SS ISO 4017
5		<b>7661150003</b>	2	NUT, HEX

# Manitowoc Cranes



# Manitowoc Cranes

Description  
**DECAL KIT STANDARD EN**

**Assembly No.**  
**80115677**  
 Revision: **A**

Item	FN	Part	Qty	Description
901	+	<b>80115687</b>	1	DECAL KIT CAB
902	+	<b>80115688</b>	1	DECAL KIT LOWERWORKS
903	+	<b>80115689</b>	1	DECAL KIT UPPERWORKS
904	+	<b>80115690</b>	1	DECAL KIT BASIC BOOM

+ SEE FURTHER BREAKDOWN THIS GROUP

# Manitowoc Cranes

Description

**ACCESSORY SUN VISOR CAB**

**Assembly No.**

**80109482**

Revision: **A**

Item	FN	Part	Qty	Description
1		2981410	1	VISOR, SUN, ADJUSTABLE,ACRYLIC

# Manitowoc Cranes

Description

**LUBE SYST TURNTABLE BEARING**

**Assembly No.**

**80102500**

Revision: **A**

Item	FN	Part	Qty	Description
1		<b>2887000</b>	4	HEX BUSHING PIPE
2		<b>4285750</b>	8	FITTING, 90 DEG ELBOW
3		<b>4290100</b>	4	FITTING LUBE, NPT .25
4		<b>4299360</b>	4	FITTING
5		<b>80102503</b>	1	BRACKET BEARING LUBE
6		<b>810223780</b>	1	TUBE ROUND
7		<b>810264050</b>	1	TUBE ROUND
8		<b>810266830</b>	1	TUBE ROUND
9		<b>810269280</b>	1	TUBE ROUND
10		<b>7126171053</b>	3	HHCS M8X16 SS ISO 4017
11		<b>7661190004</b>	2	NUT
12		<b>7951170010</b>	3	F WASHER 8 -HRC44-51 ISO 7089
13		<b>7951190014</b>	2	F WASHER 10
14		<b>A015990</b>	3	RETAINER, P-CLIP
15		<b>A172800</b>	8	BOOT

# Manitowoc Cranes

Description

**FRAME PLATFORM ASSY RIGHT**

**Assembly No.**

**80116959**

Revision: **B**

Item	FN	Part	Qty	Description
1		7126191353	8	HHCS
2		7661190803	8	HEX LOCK NUT M10 -8 ISO 7040
3		7951190014	16	F WASHER 10
4		80116960	1	FRAME ENCLOSURE RIGHT
5		80104574	14	RETAINING RING 19.1X25.4
6		80105547	7	PIN 19.1X105.0
7	+	80105550	3	PLATFORM ASSY 935 MM
8	+	80105553	3	PLATFORM ASSY 782 MM
9		80105592	7	PIN HITCH 12.7X127.0
10		80107512	1	PLATE PLATFORM
11		80107513	1	PLATE PLATFORM
13		80104575	12	F WASHER ACETAL 19.1
14		6637053002	1	MOULDING
15		5503230	7	RING
16		81040330	22	F WASHER SHIM
17		81040328	11	F WASHER SHIM
18		7126171053	11	HHCS M8X16 SS ISO 4017
19		810077410	11	RUBBER BUMPER 19XM8X1.25X16

+ SEE FURTHER BREAKDOWN THIS GROUP

# Manitowoc Cranes

Description

**PLATFORM ASSY 935 MM**

Assembly No.

**80105550**

Revision: **D**

Item	FN	Part	Qty	Description
2		7127191353	8	CAP SCREW, M10 X 30
3		7127191553	2	HHCS FULL THREAD
4		7127191753	6	HHCS M10x50 10.9 FULL THREAD
5		7661190004	2	NUT
6		7661190804	14	HEX LOCK NUT M10
8		7951190014	28	F WASHER 10
9		80104563	2	GRATING TREAD 50.8X254X914.4
10		80105551	2	PLATE 10X60X730
11		80105552	2	PLATE BEARING PLATFORM
14		7126211353	4	HHCS
15		7661210803	4	HEX LOCK NUT
16		7951210014	8	F WASHER 12 -ST ISO 7089
17		80113464	1	PLATE PALTFORM

# Manitowoc Cranes

Description

**SOCKET, 3/4" OPEN WEDGE**

Assembly No.

**7826000641**

Revision:

Item	FN	Part	Qty	Description
1		<b>NSS</b>	1	NOT SERVICED SEPARATELY SOCKET
2		<b>9826100013</b>	1	WEDGE
3		<b>9826100014</b>	1	PIN
4		<b>9914100044</b>	1	CLIP
5		<b>9086100869</b>	1	PIN, COTTER

# Manitowoc Cranes

Description  
**WEIGHT-LMI A2B**

Assembly No.  
**80075460**  
Revision:

Item	FN	Part	Qty	Description
1		<b>9333102620</b>	1	QUICK LINK,END SHACKLE 2-7/16"
2		<b>90042061</b>	2	PIN, QUICK PULL ZINC

# Manitowoc Cranes

<u>Description</u> <b>DOOR ASSY</b>				<b>Assembly No.</b> <b>80108370</b> Revision: <b>A</b>
Item	FN	Part	Qty	Description
1		<b>6637037003</b>	2	MOULDING - USE 8246964300 QTY 3 MOULDING 3 FEET
2		<b>6637037006</b>	1	CHANNEL, BULB USE 8246964300 QTY 6 CHANNEL 6 FEET
3		<b>7115140550</b>	4	HHCS 1/4-20UNCX0.63 G5
4		<b>7123130918</b>	14	SBCS M5x14 A2 ISO 7380
5		<b>7661130803</b>	14	LOCKNUT
6		<b>7690021210</b>	2	PIN, 3/32" X 3/4" LONG COTTER
7		<b>7951130014</b>	14	F WASHER 5 ST ISO 7089
8		<b>80108372</b>	1	HINGE DOOR TYPE A
9		<b>80108373</b>	1	HINGE DOOR TYPE B
10		<b>80108598</b>	1	DOOR PANEL WELD
11		<b>80108649</b>	1	LATCH PADDLE 2 POINT
12		<b>80108723</b>	1	LATCH ROTARY RH
13		<b>80108724</b>	1	LATCH ROTARY LH
14		<b>80108725</b>	1	BRACKET MOUNTING RH
15		<b>80108726</b>	1	BRACKET MOUNTING LH
16		<b>80108727</b>	2	CLIP RETAINING
17		<b>80108729</b>	2	CABLE CONTROL LATCH

# Manitowoc Cranes

Description  
ENCLOSURE LEFT

**Assembly No.**  
**80107994**  
Revision: **C**

Item	FN	Part	Qty	Description
1		7123131118	30	SBHCS M5x20 A2-70 ISO 7380
2		7126151154	4	SHCS M6X20 - 8.8
3		7126191253	4	HHCS
4		7126191353	10	HHCS
5		7126211353	4	HHCS
6		7660151601	4	HEX LOCK NUT 5/16-18UNC
7		7661130803	30	LOCKNUT
8		7661150803	4	NUT NYLOC
9		7661190803	14	HEX LOCK NUT M10 -8 ISO 7040
10		7661210803	4	HEX LOCK NUT
11		7951130014	14	F WASHER 5 ST ISO 7089
12		7951150014	36	F WASHER
13		7951190014	28	F WASHER 10
14		7951210014	8	F WASHER 12 -ST ISO 7089
15		80105109	1	LADDER 320X1616.7
16		80107484	1	FRAME ENCLOSURE LIFT
17		80107555	1	PANEL LADDER
18		80108348	2	BRACKET RAIL SUPPORT
19		80108368	4	BRACKET DOOR HINGE
20		80108369	4	BRACKET HINGE LEAF
21	+	80108370	2	DOOR ASSY
23		80108728	4	LATCH BOLT STRIKER 3/8 INCH
24		80108730	2	DOOR RETAINER
25		80108775	2	PLATE DOOR RETAINER
26		810120540	2	BUMPER RUBBER
27		7126171253	8	HHCS M8X25 8.8 ISO 4017
28		7661170803	8	NUT NYLOC M8
29		7951170054	16	FLAT WASHER 8 100HV FLZN
30		80112995	4	BRACKET DOOR LATCH

+ SEE FURTHER BREAKDOWN THIS GROUP

# Manitowoc Cranes

Description  
**HOIST ASSY BOOM**

**Assembly No.**  
**84054260**  
 Revision: **B**

Item	FN	Part	Qty	Description
1		5621500	8	PIN COTTER
2		7126271853	2	HHCS FULL THREAD
3		7951270014	2	F WASHER
4		80103824	4	PIN 2 HOLE 50.8MM X 89.5 MM LG
5		80107362	1	HYD MOTOR 80 CC FIXED
6		80108194	1	O-RING 188 X 180 X 4
7		810249210	1	PLUG
8		84054261	1	HOIST ASSY BOOM HOIST
9		7126241753	2	HHCS M16X50 8.8 FLZN 4017
10		7661240103	2	NUT

# Manitowoc Cranes

Description

**HOIST ASSY DRUM 1 W/O FF**

**Assembly No.**

**84054326**

Revision: **C**

Item	FN	Part	Qty	Description
1		<b>5621500</b>	8	PIN COTTER
2		<b>7126271853</b>	4	HHCS FULL THREAD
3		<b>7951270014</b>	4	F WASHER
4		<b>80101824</b>	1	HYD MOTOR 170CC VARIABLE
6		<b>80103617</b>	2	PIN 2 HOLE 50.8MM X 139.5MM LG
7		<b>80103823</b>	2	PIN 2 HOLE 50.8MM X 164.5MM LG
8		<b>810249210</b>	1	PLUG
9		<b>84054276</b>	1	HOIST ASSY DRUM 1 W/O FF MOTOR O-RING IS SUPPLIED WITH HOIST. REPLACEMENT ORING: P/N 80108193.

# Manitowoc Cranes

<u>Description</u> <b>TANK 314 L RET FILTRATION</b>				<b>Assembly No.</b> <b>80117629</b> Revision:
Item	FN	Part	Qty	Description
1		3456870	2	CLAMP, TUBE
2		3753030	1	COUPLING, PLUG
3		3753040	1	COUPLING, DUST CAP
4		4272850	1	FILTER, HYDRAULIC
5		4295540	1	FITTING, PLUG
7		4317640	1	FITTING FLANGE ASSEMBLY
9		5966920	1	O-RING
10		80101319	1	GAUGE 10 IN HEIGHT
11		80101773	1	PLATE VALVE MOUNTING
12		80103371	1	O-RING 168.8 X 158.1 X 5.33W
13		80105690	1	BREATHER 1 NPT 1274 LPM
15		80105726	1	TUBE ASSY HYD TANK FILL
16		80112226	1	VALVE 1/4 NPT DRAIN
17		80117630	1	TANK WELDMENT 310L
18		80129483	1	TUBE ASSY RETURN MANIFOLD
19		810244880	2	FILTER HYD RETURN TO TANK INCLUDES THE FOLLOWING PARTS
		A179240	1	ELEMENT, FILTER
		A194210	1	KIT, SEAL
20		810291552	1	COVER HEATER
21		810291560	1	GASKET HEATER
22		84055204	1	SWITCH ASSY HYD LEVEL INCLUDES THE FOLLOWING PARTS
		6670060	1	STRAP
		80093882	2	PIN-#20
		80101316	1	SENSOR FLOAT
		810010960	1	RECEPTACLE WITH WEDGE LOCK
		84022974	1	HEAT SHRINK TUBING 16/4
		A094400	1	TAPE
		810334040	1	SLEEVE .19 WOVEN WRAP SPLIT
23		7126191253	16	HHCS
24		7126191353	4	HHCS
25		7128241454	4	SHCS
26		7128241554	4	SHCS
27		7445160450	1	FITTING 1 NPT X 1/4 NPT
28		7447202016	1	CAP ASSY, FEMALE ORS THRE
29		7566500600	2	HOSE
30		A030720	1	VALVE, CHECK
31		A080600	4	CLAMP, SPRING LIGHT DUTY
32		A110300	2	TUBE, PREFORMED
33		A119270	1	SENSOR, HYDRAULIC FLUID TEMPER
34		A151190	1	VALVE ASSEMBLY, BUTTERFLY VALV
35		A175610	1	FLANGE ASSY SPLIT CODE 61

# Manitowoc Cranes

Description  
**HYD LINES INSTL DRUM CIRCUITS**

**Assembly No.**  
**80101629**  
**Revision: N**

Item	FN	Part	Qty	Description
		<b>7755016002</b> <b>7755910002</b>	1 1	INCLUDES THE FOLLOWING PARTS O-RING O-RING
167		<b>7447101034</b>	1	TEE
		<b>7755016002</b>	1	INCLUDES THE FOLLOWING PARTS O-RING
168		<b>810027560</b>	1	FITTING ADAPTER SPECIAL

# Manitowoc Cranes

Description

**HYD LINES INSTL ACCESSORIES**

**Assembly No.**

**80116343**

Revision: **F**

Item	FN	Part	Qty	Description
117		810276060	1	COVER PLATE
118		810276300	10	PLATE
119		84037611	1	VALVE CHECK -100RFS X -100RB
120		84037609	3	VALVE CHECK -60RFS X -60RB
121		84037616	1	VALVE CHECK -80RBX-80RFS
122		84055010	1	VALVE LOW PRESSURE ACC
123		A169140	1	FITTING ADAPTER TEE
124		7126151753	4	CAP SCREW,M6X50 -8.8 ISO 4017
126		7555201800	1	HOSE ASSY 0.375 ID X 18 LG
127		7555202201	1	HOSE ASSY, 3/8" I.D. X 22" LONG
128		7555202401	1	HOSE ASSY, 3/8" I.D. X 24" LONG
129		7555203500	1	HOSE ASSY .38 ID X 35.00 LG
130		7661151103	4	HEX LOCK NUT M6
131		7951150014	8	F WASHER
132		80118259	1	VALVE P REDUCING/RELIEVING
133		80118274	1	VALVE FLOW CONTROL 0.8 GPM
135		80121398	1	FITTING STRAIGHT M22X-6ORB

# Manitowoc Cranes

Description  
**SWITCH ASSY SETUP REMOTE**

**Assembly No.**  
**80107601**  
**Revision: D**

Item	FN	Part	Qty	Description
1		1768692	1	COVER PLATE, SWITCH HOUSING
2		195064	1	SWITCH HOUSING WITH HANDLE GRI
3		4716940	1	CORD, GRIP STRAIN RELIEF
4		5725230	22	PLUG SEALING
5		6205750	8	SCREW, PAN MACH SOCKET
6		6726590	1	SWITCH, TOGGLE SPDT MOMENTARY
7		672699	1	SWITCH,TOGGLE SPST OFF-NONE-ON
8		6727520	1	BLOCK SWITCH CONTACT (1-N.C.)
9		6807100	2	TERMINAL
10		6808360	4	TERMINAL FEMALE
11		6808390	7	TERMINAL RING
12		80115127	1	DECAL SETUP REMOTE
13		80107603	1	PLATE SETUP REMOTE
14		810054120	1	SWITCH ASSY
15		81013431	1	CABLE TIE STAINLESS STEEL 10"
16		810169890	1	SWITCH TOGGLE
17		810239320	1	ELECCONNECT M31HD36-24-31PE-072
18		810241160	1	CAP DUST SIZE 24
19		81037980	1	SWITCH PUSH BUTTON RED
20		84044446	2	ELEC COMPONENT PARALLEL SPLICE
21		A006730	9	TERMINAL
22		80113329	1	RESISTOR 43 OHM .6W 1%
23		A096020	1	BASE, SWITCH MOUNTING
24		A109960	4	SCREW, TC FLAT PHILLIPS TYPE A
25		80113328	1	ZENER DIODE 5.1V 1.3W
26		A197740	1	TUBING, POLYOLEFIN
27		A04040	1	SWITCH TOGGLE SPST MAINTAINED
28		A016340	1	TERMINAL SLIP ON .25X.032 FEMA
50		810134780	45	CABLE, CONTROL SHIELDED
51		2971890	1	CABLE

# Manitowoc Cranes

Description

**LIMIT SWITCH MOLDED 3P SUBASSY**

**Assembly No.**

**80129368**

Revision: **A**

Item	FN	Part	Qty	Description
1		<b>80129250</b>	1	CABLE GLAND NPT 0.50 ID 4-10
2		<b>80129369</b>	1	CABLE
3		<b>810161270</b>	1	SWITCH, LIMIT
20		<b>80129369</b>	2	CABLE
21		<b>2972110</b>	1	CABLE, WIRE

# Manitowoc Cranes

<u>Description</u> <b>COLD WEATHER KIT ROT BED 120V</b>				<b>Assembly No.</b> <b>80135867</b> Revision: <b>A</b>
Item	FN	Part	Qty	Description
1		<b>5464330</b>	6	ELEC CONNECTOR WIRE ORANGE #10
3		<b>5464370</b>	2	CONNECTOR
5	+	<b>80110914</b>	1	JUNCTION BOX ASSY ENG HEATERS
7		<b>80111084</b>	1	BRACKET BOX JUNCTION MOUNT
8		<b>80135868</b>	2	HEATER BATTERY WRAP 160W 120V
10		<b>80135869</b>	1	HEATER HYDRAULIC TANK 120VAC INCLUDES THE FOLLOWING PARTS
		<b>2888500</b>	1	BUSHING
		<b>5464370</b>	3	CONNECTOR
		<b>80135870</b>	1	HEATER TOP MOUNT 120V/2KW
		<b>80135871</b>	1	WIRING HARNESS TANK HEAT 120V
12		<b>84031362</b>	4	CABLE GLAND M20
13		<b>7126110754</b>	2	SHCS M4 X 10 8.8 ISO4762
14		<b>7123111154</b>	4	SHCS M4X20 A2 ISO4762
15		<b>7126171253</b>	2	HHCS M8X25 8.8 ISO 4017
16		<b>7661110803</b>	4	NUT LOCK NYLON
17		<b>7661170803</b>	2	NUT NYLOC M8
18		<b>7951130016</b>	4	F WASHER 5 A2 ISO 7089
20		<b>7951130596</b>	2	SER WASHER 5 A2 DIN6798A
22		<b>A015990</b>	1	RETAINER, P-CLIP
23		<b>81036358</b>	2	ELEC CONNECTOR
24		<b>80115042</b>	1	SPACER 25.0 LG FOR M10 BOLT
25		<b>A015950</b>	1	RETAINER, P-CLIP
26		<b>7123191653</b>	1	HHCS M10 X 45 A2 ISO 4017
27		<b>7661190004</b>	1	NUT
28		<b>6670070</b>	1	STRAP
29		<b>7826000648</b>	6	SOCKET, (14-16) GOLD
30		<b>7364100011</b>	2	WEDGE, 3 SOCKET
31		<b>2752250</b>	2	C BRK QO 1P 15A 120/240VAC
32		<b>275226</b>	1	C BRK QO 1P 20A 120/240VAC
33		<b>5399610</b>	1	NAMEPLATE MARKER 120 VOLT
34		<b>80109612</b>	1	CABLE GLAND BLK 12.4-19.9MM
35		<b>80135874</b>	1	HEATER COOLANT 120VAC/750W
36		<b>80135875</b>	1	HEATER OIL PAN 120V/300W
37		<b>80136137</b>	3	PLATE FILLER QOFP
50		<b>3718410</b>	5	CABLE ELECTRIC
51		<b>3718410</b>	13	CABLE ELECTRIC
52		<b>3718410</b>	13	CABLE ELECTRIC
53		<b>3718590</b>	3	CABLE ELECTRIC
54		<b>3718410</b>	5	CABLE ELECTRIC

+ SEE FURTHER BREAKDOWN THIS GROUP

# Manitowoc Cranes

Description  
**BATTERY ASSY**

**Assembly No.**  
**80101949**  
 Revision: **F**

Item	FN	Part	Qty	Description
1		<b>7951210014</b>	8	F WASHER 12 -ST ISO 7089
4		<b>7661210803</b>	4	HEX LOCK NUT
9		<b>7126211553</b>	4	HHCS M12X40 8.8 FLZN ISO 4017
15		<b>810006580</b>	2	BATTERY
16		<b>80109050</b>	1	CABLE BATTERY, JUMP 30IN
24	+	<b>80122067</b>	1	BATTERY BOX ASSY

+ SEE FURTHER BREAKDOWN THIS GROUP

# Manitowoc Cranes

Description  
**PUMP DRIVE ASSY**

Assembly No.  
**84054258**  
Revision: **B**

Item	FN	Part	Qty	Description
1		6149170	2	SHCS
2		7114280	2	WASHER, FLAT SHIM
3		7127241853	2	SCR CP HX HD
4		7951240095	2	F WASHER
5		80101616	1	PUMP 107 X 107 VARIABLE
6		80101617	1	PUMP VARIABLE 56CC/REV
7		80101618	1	PUMP 18CC/REV VARIABLE

CLICK HERE TO **DOWNLOAD** THE COMPLETE MANUAL

- Thank you very much for reading the preview of the manual.
- You can download the complete manual from: [www.heydownloads.com](http://www.heydownloads.com) by clicking the link below



- Please note: If there is no response to CLICKING the link, please download this PDF first and then click on it.

CLICK HERE TO **DOWNLOAD** THE COMPLETE MANUAL

# Manitowoc Cranes

Description

**A/C CONDENSER-VERT. MTG. 24V.**

**Assembly No.**

**80027884**

Revision:

Item	FN	Part	Qty	Description
1		<b>NSS</b>	1	NOT SERVICED SEPARATELY HOUSING, WELDMENT
2		<b>90018837</b>	1	SHROUD ASSY. FAN MTG.
3		<b>90018838</b>	4	BRACKET, FAN
4		<b>90018839</b>	1	DRIER ASSY. RECEIVER
5		<b>90018840</b>	6	SPACER, NYLON
6		<b>90018841</b>	1	COIL, CONDENSER
7		<b>90018842</b>	1	HOSE ASSY. #6 INCLUDES O-RING'S ITEM 15
8		<b>90018843</b>	1	FAN & MOTOR ASSY. 24V. 16"
9		<b>90018844</b>	2	CLAMP ASSY.
10		<b>7950140161</b>	4	WASHER, 1/4" I.D. FLAT WIDE
11		<b>7660141600</b>	4	HEX LOCK NUT 1/4-20UNC
12		<b>7115140650</b>	8	HHCS 1/4-20UNCX0.75 G5
13		<b>7660101600</b>	6	LOCKNUT 10-24
15		<b>90018813</b>	2	O-RING #6

# Manitowoc Cranes

Description  
**500HR SERVICE KIT**

Assembly No.  
**80119865**  
Revision: **A**

Item	FN	Part	Qty	Description
1		<b>90024700</b>	1	FILTER, FUEL 7-1/8" LG
2		<b>90026681</b>	1	FILTER, FUEL/WATER SEPARATOR
3		<b>9414101679</b>	1	FILTER,OIL



# Manitowoc Cranes

Description  
**CRAWLER DRIVE ASSY**

Assembly No.  
**80103985**  
Revision: **B**

Item	FN	Part	Qty	Description
1		<b>84054337</b>	1	GEARBOX TRAVEL
2		<b>84054345</b>	1	TUMBLER MACHINING
3		<b>7128342154</b>	20	SHCS
4		<b>7128292954</b>	24	SCR SKT HD M24-3 X 130 12.9 PL
5		<b>7127271553</b>	2	HHCS FULL THREAD
6		<b>80106033</b>	1	O-RING 200X192X4.00W
7		<b>84054341</b>	1	HYD MOTOR TRAVEL MOTOR

# Manitowoc Cranes

Description <b>BUTT ASSY #290 6M</b>				Assembly No. <b>84054806</b> Revision: <b>F</b>
Item	FN	Part	Qty	Description
1	+	84054809	1	BUTT #290 6M
2	+	84054318	1	EQUALIZER ASSY
3	+	80112762	2	STOP BOOM #290
4		80106390	2	SHEAVE ASSY 26MM ROPE
		80106930	1	INCLUDES THE FOLLOWING PARTS BEARING ROLLER 190X130X79
5	+	80107141	1	SHEAVE ASSY CTWT #290BM
6		80107092	2	SHAFT 129.98 DIA X 145 LG
7	+	80107053	1	CATWALK #290 BUTT
8		80105997	2	PIN 99.9 DIA X 161.0 USE
9		1773632	1	PIN
10		5460500	2	NUT, HEX
11		5621100	8	PIN COTTER
12		5621490	1	PIN COTTER
13		5638710	2	PIN, SAFETY
14		6177650	2	SLOT RMS
15		7092030	2	F WASHER
16		84054423	4	PIN 2 HOLE
17		80104554	2	WEAR PAD 16X80X1218.3 MM
18		80105998	1	PLATE 12 MM
19		80106909	2	RETAINER 8 MM, 17.5 DIA HOLES
20		80107130	4	SPACER 8.0 X 158.8 X 131.0
21		80107140	1	PIN 25.0 DIA X 150 USE
22		80107161	4	SHIM 10 GA (0.134 IN)
23		81039079	1	ANGLE INDICATOR
24		7126191650	8	HHCS M10x45 -8.8 ISO 4014
25		7126241250	4	HHCS
26		7126241353	4	HHCS M16x30 -8.8 ISO 4017
27		7126241653	8	CAP SCREW, M16 X 45MM HEX HEAD
28		7661190003	8	NUT, HEX 10MM
29		7950080050	2	LOCKWASHER, 5/32" I.D.
30		7951190014	16	F WASHER 10
31		7951240015	16	F WASHER
32		7951480014	4	F WASHER 56 HST ISO 7089
33		80119803	1	PLATE 12mm ITEM 33 MAY BE TEMPORARILY SECURED ELSEWHERE TO PREVENT INTERFERENCE WITH ITEM 3 UNTIL ASSEMBLED TO ROTATING BED.
34	+	80121698	1	ESI BOOM BUTT PART NOT SHOWN

+ SEE FURTHER BREAKDOWN THIS GROUP

# Manitowoc Cranes

Description

**SHEAVE ASSY CTWT #290BM**

Assembly No.

**80107141**

Revision: **A**

Item	FN	Part	Qty	Description
1		<b>80103997</b>	1	SHEAVE 355 OD NYLON
2		<b>80107096</b>	1	AXLE CTWT SHEAVE
3		<b>80107250</b>	1	RETAINING RING EXT 90MM SHAFT

# ***Manitowoc Cranes***

Notes

---

# Manitowoc Cranes

Description  
**A2B FLAG ASSY**

Assembly No.  
**9333102633**  
Revision:

Item	FN	Part	Qty	Description
1		<b>9333102373</b>	1	FLAG, RETAINER
2		<b>9333102618</b>	1	DECAL, A2B
3		<b>9333102232</b>	1	LANYARD

# Manitowoc Cranes

Description  
**TIMBER ASSY .81M**

**Assembly No.**  
**80105702**  
**Revision: B**

Item	FN	Part	Qty	Description
1		<b>7126152553</b>	4	HEX SCREW, PRECISION
2		<b>7661151103</b>	4	HEX LOCK NUT M6
3		<b>7951150054</b>	8	F WASHER 6 FLZN DIN7980
4		<b>7951190054</b>	4	FLAT WASHER 10 100HV FLZ
5		<b>80101817</b>	2	U-BOLT COATED 1.50 PIPE
6		<b>80103562</b>	2	PLATE 3.2 MM
7		<b>81038790</b>	1	TIMBER 38.1 X 88.9 X 808.0

# Manitowoc Cranes

Description  
**INSERT ASSY #290 3M**

**Assembly No.**  
**80101585**  
**Revision: D**

Item	FN	Part	Qty	Description
1	+	80101586	1	INSERT #290 3M
3		5636400	8	SAFETY PIN
4		84054423	4	PIN 2 HOLE
5		810254720	1	CLAMP CABLE ZINC RICH 00MAPI00
6		7126151150	2	CAP SCREW, M6X20 HEX HEAD
7		7661150803	2	NUT NYLOC
8		7951150014	4	F WASHER

+ SEE FURTHER BREAKDOWN THIS GROUP

# Manitowoc Cranes

Description  
**INSERT #290 3M**

**Assembly No.**  
**80101586**  
 Revision: **D**

Item	FN	Part	Qty	Description
5	*	<b>80102813</b>	4	TUBE 44.45 OD X 2.42 W
6	*	<b>80102815</b>	4	TUBE 44.45 OD X 2.42 W
7	*	<b>80102818</b>	1	TUBE 44.45 OD X 2.42 W
11	*	<b>80103533</b>	8	TUBE 44.45 OD X 2.42 W
12	*	<b>80103534</b>	8	TUBE 38.1 OD X 2.42 W
99	*	<b>80105842</b>	1	LACING KIT

\* REPAIR KIT AND/OR PART OF KIT

# Manitowoc Cranes

Description  
**TIMBER ASSY 1.33M**

**Assembly No.**  
**80118405**  
 Revision: **A**

Item	FN	Part	Qty	Description
1		80101817	1	U-BOLT COATED 1.50 PIPE
2		80107135	1	PLATE 3.2 MM
3		80118406	1	PLATE 3.2 MM
4		810277952	1	TIMBER
5		7126152553	4	HEX SCREW, PRECISION
6		7661151103	4	HEX LOCK NUT M6
7		7951150054	8	F WASHER 6 FLZN DIN7980
8		7951190054	2	FLAT WASHER 10 100HV FLZ

# Manitowoc Cranes

Description

**TIMBER ASSY, #290 12M INSERT**

Assembly No.

**80118408**

Revision: **A**

Item	FN	Part	Qty	Description
1	+	<b>80103561</b>	1	TIMBER ASSY
2	+	<b>80118405</b>	2	TIMBER ASSY 1.33M

+ SEE FURTHER BREAKDOWN THIS GROUP

# Manitowoc Cranes

Description  
**INSERT #290 12M**

Assembly No.  
**80101581**  
Revision: **D**

Item	FN	Part	Qty	Description
5	*	<b>80102813</b>	4	TUBE 44.45 OD X 2.42 W
6	*	<b>80102815</b>	4	TUBE 44.45 OD X 2.42 W
7	*	<b>80102816</b>	32	TUBE 44.45 OD X 2.42 W
8	*	<b>80102817</b>	32	TUBE 38.1 OD X 2.42 W
9	*	<b>80102818</b>	2	TUBE 44.45 OD X 2.42 W
99	*	<b>80105843</b>	1	LACING KIT

\* REPAIR KIT AND/OR PART OF KIT

# Manitowoc Cranes

Description  
**INSERT #290 12M**

**Assembly No.**  
**80101581**  
**Revision: D**

Item	FN	Part	Qty	Description
5	*	<b>80102813</b>	4	TUBE 44.45 OD X 2.42 W
6	*	<b>80102815</b>	4	TUBE 44.45 OD X 2.42 W
7	*	<b>80102816</b>	32	TUBE 44.45 OD X 2.42 W
8	*	<b>80102817</b>	32	TUBE 38.1 OD X 2.42 W
9	*	<b>80102818</b>	2	TUBE 44.45 OD X 2.42 W
99	*	<b>80105843</b>	1	LACING KIT

\* REPAIR KIT AND/OR PART OF KIT

# Manitowoc Cranes

Description  
**ESI UPPER POINT**

**Assembly No.**  
**80107810**  
**Revision: C**

Item	FN	Part	Qty	Description
1		<b>6670050</b>	15	STRAP
2		<b>80074783</b>	1	PIN, A2B
3	+	<b>80091847</b>	1	SWITCH ASSY ATB, W/DUST CAP
4		<b>80104433</b>	1	CLAMP .312 DIA
6		<b>80118740</b>	1	WIRING HARNESS WBU1
7		<b>7126171153</b>	1	HHCS M8X20 8.8 ISO 4017
9		<b>7660151601</b>	1	HEX LOCK NUT 5/16-18UNC
10		<b>7950170050</b>	1	WASHER, LOCK 7/16" I.D.
11		<b>7126171754</b>	2	SHCS M8x50 -8.8 ISO 4762

+ SEE FURTHER BREAKDOWN THIS GROUP

# Manitowoc Cranes

Description  
**BUTT #117 15 FT**

**Assembly No.**  
**80106952**  
 Revision: D

Item	FN	Part	Qty	Description
6		<b>80108007</b>	4	TUBE .75 OD X .109 W
7		<b>80108027</b>	22	TUBE .75 OD X .109 W
8		<b>80108029</b>	2	TUBE .75 OD X .109 W
10		<b>80118856</b>	1	TUBE 3.0 OD X .25 W (IN)
11		<b>80108041</b>	2	TUBE .75 OD X .109 W
12		<b>80108042</b>	2	TUBE .75 OD X .109 W
13		<b>80108043</b>	2	TUBE .75 OD X .109 W
14		<b>80108045</b>	2	TUBE .75 OD X .109 W
15		<b>80108047</b>	2	TUBE .75 OD X .109 W
16		<b>80108048</b>	2	TUBE .75 OD X .109 W
17		<b>80108049</b>	2	TUBE .75 OD X .109 W
18		<b>80108050</b>	2	TUBE .75 OD X .109 W
19		<b>80108051</b>	2	TUBE .75 OD X .109 W
20		<b>80108052</b>	2	TUBE .75 OD X .109 W
21		<b>80108053</b>	2	TUBE .75 OD X .109 W
22		<b>80108054</b>	2	TUBE .75 OD X .109 W
23		<b>80108055</b>	2	TUBE .75 OD X .109 W
24		<b>80108056</b>	2	TUBE .75 OD X .109 W
25		<b>80108057</b>	2	TUBE .75 OD X .109 W
27		<b>80108066</b>	1	TUBE .75 OD X .109 W

# Manitowoc Cranes

Description

**ESI FIXED JIB #117 BOTTOM**

**Assembly No.**

**80118702**

Revision: **A**

Item	FN	Part	Qty	Description
1		80115918	2	ANCHOR L HOOK 0.375 X 8 LG
2		810250100	2	CHANNEL ANCHOR CLAMP
3		3455110	2	CLAMP TUBE, 0.75 DIA
4		7097030	4	WASHER, FLAT SHIM
5		5460540	4	NUT, HEX
6		80118429	1	WIRING HARNESS WZT2

# Manitowoc Cranes

Description  
**SWITCH ASSY ATB, W/DUST CAP**

**Assembly No.**  
**80091847**  
 Revision:

Item	FN	Part	Qty	Description
2		<b>7110151205</b>	2	SHCS 5/16-18UNCx1.5 A574
3	+	<b>9333102633</b>	1	A2B FLAG ASSY
5		<b>90044872</b>	1	SWITCH ASSY. W/CONNECTOR
7		<b>90038812</b>	1	CAP, DUST
8		<b>90039062</b>	1	HARDWARE, LYNCH PIN

+ SEE FURTHER BREAKDOWN THIS GROUP

# Manitowoc Cranes

Description  
**10' JIB INSERT #124**

Assembly No.  
**0331202**  
Revision: **FC**

Item	FN	Part	Qty	Description
2		<b>80107940</b>	4	TUBE 19.1 OD X 2.8 W
3		<b>80107941</b>	4	TUBE 19.1 OD X 2.8 W
4		<b>80107942</b>	2	TUBE 19.1 OD X 2.8 W
5		<b>80107943</b>	16	TUBE 19.1 OD X 2.8 W
6		<b>80107944</b>	16	TUBE 19.1 OD X 2.8 W

# Manitowoc Cranes

Description  
**KIT BOOM TOP CAMERA**

**Assembly No.**  
**80109800**  
**Revision: A**

Item	FN	Part	Qty	Description
1		<b>5638710</b>	1	PIN, SAFETY
2		<b>6805430</b>	1	TERMINAL
3		<b>810044730</b>	1	CAMERA CCTV AUTOFOCUS ZOOM INCLUDES THE FOLLOWING PARTS
		<b>90037547</b>	1	CABLE ASSY. 6M
4		<b>81007001</b>	1	WIRE 3/64 7X7 SS VC-1/16 CLEAR
5		<b>81007002</b>	1	SLEEVE OVAL AL
6		<b>810153150</b>	1	BRACKET OIL DAMPED BRACKET
7		<b>84032602</b>	1	BRACKET CAMERA ARM
8		<b>84032606</b>	1	BRACKET CAMERA MOUNT
9		<b>7126171850</b>	2	CAP SCREW, M8 X 55MM HEX HEAD
10		<b>7661170803</b>	2	NUT NYLOC M8
11		<b>7951170014</b>	2	F WASHER

# Manitowoc Cranes

Alphabetical Index	Appendix A	
Description	Part	Page
CHAIN	3341010	467
CHAIN 7FT LONG ATB	3341012	145
CHANNEL	810269530	201
	810269570	212
	810269870	201
CHANNEL ANCHOR CLAMP	810250100	453, 461
	810250160	211
	810271010	212
	810271020	211
	810275970	222, 281
	810275980	201, 212, 222
CHANNEL FRONT WIPER MOUNT	80113733	12
CHANNEL, BULB USE	6637037006	163, 165, 175
CIRCUIT BREAKER 10A 24V	810244830	71
CIRCUIT BREAKER 15A 24V	81024484	71
CIRCUIT BREAKER 25A 24V	810244850	71
CLAMP	810270380	211
	810270400	211
	810270430	201
	810270740	212
	810270750	211
	810272040	222
	810272090	222
	810272120	222, 277, 281
	810272140	211, 212, 222
	810272160	222
	810272190	201, 222
	810275840	222
	810275850	222, 281
	810275870	201, 222
CLAMP .312 DIA	80104433	349, 433, 461
CLAMP 1.75 DIA DIN3015	810270420	211, 238, 337
CLAMP 133MM DIA X 8 THK	80107436	355
CLAMP ASSY.	90018844	283
CLAMP CABLE	810254722	341
CLAMP CABLE ZINC RICH 00MAPI00	810254720	373, 381, 387, 397, 411, 421
CLAMP SPRING LIGHT DUTY	A085820	201
CLAMP SPRING LIGHT DUTY 4.53 -	80101695	200
CLAMP STACKING BOLT DIN3015 GR	810275860	222
CLAMP TUBE	3456860	212
	A107110	201
CLAMP TUBE, 0.75 DIA	3455110	453, 461
CLAMP, #10	90022805	35
CLAMP, HOSE	7300000006	31
	7300000016	31
CLAMP, HOSE-0.91"MAX	7300000040	31

From - CHAIN

To - CLAMP, HOSE-0.91"MAX

# Manitowoc Cranes

Alphabetical Index	Appendix A	
Description	Part	Page
HHCS 3/8-16UNCX1 G5	7115160850	17
HHCS 3/8-16UNCX1.25 G5	7115161050	231
HHCS 3/8-16UNCx2.75 G5	7115162250	209
HHCS 3/8-16UNCx5 G5	7115164050	225
HHCS FULL THREAD	7126151853	237, 307
	7126212853	238, 337
	7126271853	183, 193, 195
	7127151053	185
	7127191553	121, 125, 127, 133
	7127211753	111, 219
	7127271553	313
HHCS HEAD HOLE	6155520	457
HHCS M10 X 45 A2 ISO 4017	7123191653	253
HHCS M10x120-10.9 ISO 4017	7127192853	209
HHCS M10X20 8.8	7126191153	199, 237
HHCS M10X25 8.8 FLZN ISO 4014	7126191250	185
HHCS M10X35 10.9 FLZN ISO 4017	7127191453	131
HHCS M10X35 8.8 FLZN 4017	7126191453	155, 159, 169, 265, 441
HHCS M10X45 8.8 FLZN ISO 4017	7126191653	11
HHCS M10x45 -8.8 ISO 4014	7126191650	323
HHCS M10x50 10.9 FULL THREAD	7127191753	125, 127, 133
HHCS M10X55	7126191853	140
HHCS M10x55 -8.8 ISO 4014	7126191850	311
HHCS M10x70 -8.8 ISO 4017	7126192153	209
HHCS M10x80 -8.8 ISO 4017	7126192353	129, 209
HHCS M12x100 10.9 FLZN ISO4014	7127212650	209
HHCS M12x100 -8.8 ISO 4017	7126212653	209
HHCS M12x16 -8.8 ISO 4017	7126211053	237, 247
HHCS M12x180 8.8 FLZN ISO 4014	7126213450	311
HHCS M12X25 8.8 FLZN ISO 4017	7126211253	212, 238, 311, 337
HHCS M12X30 10.9 FLZN ISO 4017	7127211353	329
HHCS M12x40 -10.9 ISO 4017	7127211553	209, 431
HHCS M12X40 8.8 FLZN ISO 4017	7126211553	185, 261, 263, 271, 307
HHCS M12x45 -8.8 ISO 4017	7126211653	140
HHCS M12X80 8.8 FLZN 4017	7126212453	209
HHCS M16x25 -8.8 ISO 4017	7126241253	311
HHCS M16x30 -8.8 ISO 4017	7126241353	323, 445
HHCS M16x35 -8.8 ISO 4017	7126241453	139
HHCS M16X40 10.9	7127241553	341
HHCS M16X50 10.9 ISO 4017	7127241753	355
HHCS M16X50 8.8 FLZN 4017	7126241753	183

From - HHCS 3/8-16UNCX1 G5

To - HHCS M16X50 8.8 FLZN 4017

# Manitowoc Cranes

Alphabetical Index	Appendix A	
Description	Part	Page
PIN 25.0 DIA X 150 USE	80107140	323
PIN 35.00 DIA X 78.0	80104008	329
PIN 38.1MM X 218.0MM LG	84054352	317
PIN 59.00 DIA X 140.0 LG	80108746	441
PIN 59.50 DIA X 67.0 LG	80109349	441
PIN 60.0 DIA X 139.0 LG	84033646	301
PIN 66.0 DIA X 140.5 LG	80106394	145
PIN 80.0 X 205.0 LG	80119077	119
PIN 99.9 DIA X 161.0 USE	80105997	323
PIN COTTER	5620420	185
	5620840	301
	5620870	139
	5621050	139, 311
	5621080	139, 177
	5621090	449
	5621100	139, 323
	5621120	342
	5621300	301
	5621490	323, 445
	5621500	139, 183, 193, 195
	5621710	139
	5638160	319
	PIN COTTER 3/8 DIA X 2.25 LG	5621480
PIN COTTER, 3/8 DIA X 4.00 LG	5621520	139, 145
PIN HITCH 12.7X127.0	80105592	123, 129
PIN LOCKING, 38 MM U/L	80104821	329
PIN QUICK RELEASE	810276370	311
	81031526	301
PIN SAFETY	5638230	301
	5638250	301
	810165950	159, 169
	810282382	139
PIN SAFETY .25 DIA X 2.50 LG	810284270	177, 311, 455
PIN SAFETY 6.35 OD X 76	80104541	331, 431
PIN SHEAR	A115672	105
PIN SPRING SLOT	5640380	77
PIN W/HD 100.0DIA X 435LG	80105058	301
PIN WIRE LOCK	810138560	177
PIN WITH HEAD 50.8 X 57.5 LG	84054376	139
PIN-#20	80093882	203
PIN, 16 - 14 GA	7689000704	27, 36
PIN, 18 - 16 GAGE	7689001782	117
PIN, 20GA GOLD	7689100044	227
PIN, A2B	80074783	349, 433, 461
PIN, COTTER	5620440	185

From - PIN 25.0 DIA X 150 USE

To - PIN, COTTER

# Manitowoc Cranes

Alphabetical Index	Appendix A	
Description	Part	Page
SWITCH, TRAVEL SPEED	7872100189	56
SWITCH, WORK LIGHTS	7872100192	51, 227
SWITCH,L-SER 24V WNDSHLD WIPER	7872100174	51
SWITCH,TOGGLE SPST OFF-NONE-ON	672699	233
SWIVEL 9 CIRCUIT	80101812	222
SWIVEL ARM	80064695	79
TANK 314 L RET FILTRATION	80117629	201
TANK FUEL 100 GAL	84054254	275
TANK FUEL INSTL 100 GAL	80105340	261
TANK WELDMENT 310L	80117630	203
TAPE	A094400	203
TERMINAL	6805430	483
	6807100	233
	A006730	51, 233
TERMINAL FEMALE	6808360	233
TERMINAL RING	6808390	233
TERMINAL SLIP ON .25X.032 FEMA	A016340	233
TERMINAL, FEM, 2.8MM, RADIO	80108560	117
TERMINAL, FEMALE	7345001449	117
TERMINAL, MALE	7345001746	12
TERMINAL, PIN CONTACT	6805450	79
THERMOSTAT, NON-ADJ.	90018863	35
THUMB SCREW 5/16-18UNCX1.00"	80091963	85
TIMBER	810277952	361, 379, 385, 393, 407, 419, 429
TIMBER 38.1 X 88.9 X 808.0	81038790	363
TIMBER 38.1 X 89 X 1472.7	84050072	405, 417, 427
TIMBER 38.1X88.9X230.0	80113111	140
TIMBER ASSY	80103561	403, 415, 425
TIMBER ASSY .81M	80105702	359
TIMBER ASSY 1.33M	80118405	359, 403, 415, 425
TOP #290 7M	80101590	341
TOP 15FT JIB #138A	A07997	455
TOP MOLDING SECTION, SLIDING	90039114	21
TRACK, DOOR BOTTOM PLASTIC	80016416	11
TUBE .75 OD X .109 W	80108007	443
	80108027	443
	80108029	443
	80108041	443
	80108042	443
	80108043	443
	80108045	443

From - SWITCH, TRAVEL SPEED

To - TUBE .75 OD X .109 W

# Manitowoc Cranes

Numeric Index		Appendix B
Part	Description	Page
3753040	COUPLING, DUST CAP	203
3759550	Q DISCON FITTING	209, 219
3854495	KIT, PACKING	147
3856530	JACK CYLINDER	145
4272850	FILTER, HYDRAULIC	203
4285750	FITTING, 90 DEG ELBOW	113
428576	ELBOW 90 DEG. .25 NPT	185
4286090	FITTING	209, 219
4290000	FITTING, GREASE	139
4290100	FITTING LUBE, NPT .25	113, 301, 311
4295540	FITTING, PLUG	203
4299360	FITTING	113, 185
4316270	FLANGE ASSY SPLIT CODE 62	212
4316420	FLANGE ASSEMBLY	199
4316490	FLANGE ASSY SPLIT CODE 62	209, 307
4317310	FLANGE ASSY SPLIT CODE 62	307
4317640	FITTING FLANGE ASSEMBLY	203
4317660	FLANGE ASSEMBLY	199
4526860	FUSE 15 AMP	75
4567690	RING	247
4716940	CORD, GRIP STRAIN RELIEF	233
5366480	MOUNT	91
539052	IDENTIFICATION PLATE	5
5399610	NAMEPLATE MARKER 120 VOLT	247, 253, 255
5399620	NAMEPLATE MARKER 120 VOLTS	247
5434440	PIPE, NIPPLE	277
543445	PIPE NIPPLE 0.75DIA 2.00LGX40	277
543760	PIPE NIPPLE 0.75DIA 6.00LGX40	277
5460500	NUT, HEX	51, 247, 323
5460520	NUT, HEX	51, 227
5460530	NUT, HEX	79
5460540	NUT, HEX	63, 237, 337, 453
5460780	HEX NUT	89
5464330	ELEC CONNECTOR WIRE ORANGE #10	253
5464370	CONNECTOR	253
5468370	NUT, HEX HEAVY	55, 257
5469560	NUT PANEL	56, 63, 89, 231
5469670	NUT PANEL	231, 461
5471130	HEX NUT	311

From - 3753040

To - 5471130

# Manitowoc Cranes

Numeric Index		Appendix B
Part	Description	Page
7543000685	HOSE - USE 9543100045	41
7555201572	HOSE ASSY. -6 ID X 15 LG	221
7555201800	HOSE ASSY 0.375 ID X 18 LG	223
7555201982	HOSE ASSY 3/8" I.D. X 19 I	307
7555202002	3/8" I.D. HYDR HOSE ASSY STR-4	221
7555202070	HOSE ASSY CODED	221
7555202201	HOSE ASSY, 3/8" I.D. X 22" LONG	223
7555202281	HOSE ASSY	307
7555202301	HYD HOSE ASSY	307
7555202401	HOSE ASSY, 3/8" I.D. X 24" LONG	223
7555202501	HOSE ASSY CODED, .375 ID X 25	200
7555202671	HOSE ASSY -6 ID X 26 LG	210
7555202701	3/8" I.D. HYDR HOSE ASSY STR-9	221
7555202901	HOSE ASSY, 3/8" I.D. X 29" LONG	221
7555202902	3/8" I.D. HYDR HOSE ASSY STR-4	221
7555203401	HOSE ASSY, 3/8" I.D. X 34" LONG	221
7555203500	HOSE ASSY .38 ID X 35.00 LG	223
7555203700	HOSE ASSY CODED	221
7555205401	HOSE ASSY CODED	221
7555205500	HOSE ASSY, 3/8" I.D. X 55" LONG	221
7555209101	HOSE ASSY CODED 0.51ID X 91LG	221
7555210803	HOSE ASSY, 3/8" I.D. X 108" LONG	221
7555211201	3/8" I.D. HYDR HOSE STR-90 DEG	221
7555211401	HOSE ASSY, 3/8" I.D. X 114" LONG	221
7555211901	HOSE ASSY -6 ID X 119 LG	221
7555212003	HOSE ASSY -6 ID X 120 LG	221
7555215003	HOSE ASSY -6ID X 150 LG	221
7555302061	1/2" I.D. HYDR. HOSE ASSY.	221
7555302361	HOSE ASSY	221
7555302482	1/2" I.D. HYDR HOSE ASSY STR-4	307
7555302782	HOSE ASSY	307
7555303301	HOSE ASSY CODED	200
7555303560	HOSE ASSY CODED .50 ID X 35 LG	221
7555303901	HOSE ASY, 11/16-16X3/8 I.D.X23	210
7555303962	HOSE ASSY -8 X 39 LG	221
7555304602	HOSE ASSY -8ID X 46 LG	221
7555305302	1/2" HYD HOSE ASSY STR X 45	221
7555309102	HOSE ASSY CODED	221
7555313560	HOSE ASSEMBLY 1/2" ORFS	221

From - 7543000685

To - 7555313560

# Manitowoc Cranes

Numeric Index		Appendix B
Part	Description	Page
80103371	O-RING 168.8 X 158.1 X 5.33W	203
80103383	SHEAVE ASSY	341, 431, 457
80103435	WINDOW, RIGHT SIDE LOWER	11
80103533	TUBE 44.45 OD X 2.42 W	375, 383
80103534	TUBE 38.1 OD X 2.42 W	375, 383
80103561	TIMBER ASSY	403, 415, 425
80103562	PLATE 3.2 MM	363, 405, 417, 427
80103565	LOAD CELL LINK 10,500 KGS	139
80103602	BRACKET OIL COOLER	200
80103617	PIN 2 HOLE 50.8MM X 139.5MM LG	193, 195
80103728	TUBE ASSY BOXCAR TRAVEL	211
80103732	TUBE ASSY BOXCAR TRAVEL	211
80103736	BRACKET PIN PULLER	119
80103737	PLATE 10 MM	119
80103738	SHAFT PIN PULLER	119
80103740	BRACKET PIN PULLER	119
80103808	MAGNET, 1.25-IN INDUSTRIAL	85
80103823	PIN 2 HOLE 50.8MM X 164.5MM LG	193
80103824	PIN 2 HOLE 50.8MM X 89.5 MM LG	183
80103859	LINK TIE BACK	329
80103861	SHAFT 99.962 DIA X 308.0	329
80103985	CRAWLER DRIVE ASSY	311
80103997	SHEAVE 355 OD NYLON	333
80104008	PIN 35.00 DIA X 78.0	329
80104025	BRACKET SEAT ADAPTER PLATE	79
80104074	CAB ACOUSTICS INSTALLATION	7
80104075	MISC CAB COMPONENTS INSTALL	7
80104139	SKYLIGHT WIPER KIT-24V	11
80104142	FOAM - ACOUSTIC RH FRONT	39
80104143	FOAM - ACOUSTIC RH REAR	39
80104147	FOAM - ACOUSTIC RH REAR	39
80104153	FOAM - ACOUSTIC RH REAR	39
80104157	FOAM - ACOUSTIC RH REAR	39
80104165	FOAM - ACOUSTIC LH REAR	39
80104175	FOAM - ACOUSTIC TOP	39
80104178	FOAM - ACOUSTIC BACK WALL	39
80104185	FOAM - ACOUSTIC BACK WALL	39
80104186	MAT, FLOOR	13
80104187	FOAM - ACOUSTIC BACK WALL	39

From - 80103371

To - 80104187

# Manitowoc Cranes

Numeric Index		Appendix B
Part	Description	Page
80109345	PIN 1 HOLE 20.0 DIA X 78.5 LG	449
80109349	PIN 59.50 DIA X 67.0 LG	441
80109363	COVER PANEL ENGINE	269
80109368	BRACKET CONDENSER	281
80109369	BRACKET CONDENSER	281
80109370	BRACKET CONDENSER	281
80109543	COVER, SPEAKER HOLE	86
80109544	COVER, RADIO HOLE	86
80109566	CAP VINYL 1.81 INCH I.D.	89
80109612	CABLE GLAND BLK 12.4-19.9MM	253
80109703	HOSE ASSY -24 X 1500 LG	201
80109719	PIN 2 HOLE 33.5 DIA X 148.0 LG	177
80109723	LINK MACH BACKSTAY	441
80109748	TUBE ASSY RETURN	201
80109770	FITTING M14 9974 X 1/2 NPTF	111
80109795	TUBE .75 OD X .109 W (IN)	459
80109796	TUBE .75 OD X .109 W (IN)	459
80110053	TUBE RECT 6 X 2 X .188(IN)	447
80110054	TUBE 1.25 OD X .095W (IN)	447
80110065	TUBE 1.25 OD X .095W (IN)	447
80110066	TUBE 1.25 OD X .095W (IN)	447
80110279	GUARD WIRE ROPE	457
80110325	PIN 2 HOLE 39.0 DIA X 40.8 LG	449
80110340	PLATE 8MM	451
80110344	ROD 47.63 DIA	451
80110749	CARABINER 15.8 OPEN 181 KG	238, 337, 349, 455
80110751	BRACKET DEF SUPPORT	261
80110856	TUBE ASSY BOXCAR HUSCO SUPPLY	212
80110913	JUNCTION BOX HOLE LAYOUT ENG	255
80110914	JUNCTION BOX ASSY ENG HEATERS	253
80110922	ARM STRUT RAISING	445
80110985	COVER BATTERY BOX	265
80110986	PLATE BATTERY HOLD	265
80111084	BRACKET BOX JUNCTION MOUNT	253
80111123	BRACKET HOSE CLAMP	211
80111129	ADAPTER LIGHT STAND	455
80111248	HOSE ASSY -20 ID X 3410 LG	211
80111249	HOSE ASSY -20 ID X 3170 LG	211
80111361	DECAL MANITOWOC 26" WHITE	107

From - 80109345

To - 80111361

# Manitowoc Cranes

Numeric Index		Appendix B
Part	Description	Page
810276030	COVER PLATE	222
810276040	COVER PLATE	222, 277, 281
810276050	COVER PLATE	212
810276060	COVER PLATE	212, 223
810276300	PLATE	223, 281
810276370	PIN QUICK RELEASE	311
810276880	DECAL	259
810276890	DECAL	259
810277952	TIMBER	361, 379, 385, 393, 407, 419, 429
810282382	PIN SAFETY	139
810284270	PIN SAFETY .25 DIA X 2.50 LG	177, 311, 455
810288410	SBCS M12-1.75 X 30MM	86, 201
810291390	SENSOR ANGLE MEMS 200 DEGREES	237, 337
810291552	COVER HEATER	203
810291560	GASKET HEATER	203
810291740	F WASHER	86
810300692	SPACER	311
81031526	PIN QUICK RELEASE	301
810334040	SLEEVE .19 WOVEN WRAP SPLIT	203
810334472	BRACKET	237
810338510	SENSOR PRESSURE DIFFERENTIAL	238
810339312	COVER	311
81034188	PIN 1 HOLE W/HD 35.0 DIA X 70.	139
81034257	BLOCK NYLON	139
81035218	PIN 2 HOLE	311
81035522	SWITCH MOMENTARY NO HORN	55
81035704	FITTING ADAPTER 90D -16ORFS/-1	212
81036358	ELEC CONNECTOR	253
81037850	SBCS	212
81037980	SWITCH PUSH BUTTON RED	55, 233
81038554	LIGHT 10-48V LED	249
81038790	TIMBER 38.1 X 88.9 X 808.0	363
81039079	ANGLE INDICATOR	323
81039710	PIN 1 HOLE W/HD	160, 169
81040328	F WASHER SHIM	123, 129
81040330	F WASHER SHIM	123, 129
81041877	EYE BOLT SHOULDER M10 X 17LG	455
81042145	LIMIT SWITCH ARM ADJUSTABLE	237
81042403	EYE BOLT M12 X 1.75 24	341

From - 810276030

To - 81042403

CLICK HERE TO **DOWNLOAD** THE COMPLETE MANUAL

- Thank you very much for reading the preview of the manual.
- You can download the complete manual from: [www.heydownloads.com](http://www.heydownloads.com) by clicking the link below



- Please note: If there is no response to CLICKING the link, please download this PDF first and then click on it.

CLICK HERE TO **DOWNLOAD** THE COMPLETE MANUAL