

Manitowoc Cranes MACHINE COMPONENT INDEX

Date: August 16, 2023

Rev: 003

<u>Model Number</u> MLC100A-1		<u>Serial Number</u> 91001093	
Item	Part	Description	Page
1	84054265	ROTATING STRUCTURE CAB INSTL CAB MOUNTING ASSY	3
	80123265	CAB ASSY 24V CCS	5
	80103175	CAB ASSY 24V CCS PURCHASED	7
	80113644	CAB - SUB ASSY 24V CRAWLER	11
	80103172	GLASS DOOR ASSEMBLY	17
	80071856	WINDOW ASSY. RH SIDE	21
	90039109	GLASS ASSY. SLIDING	23
	90039110	GLASS ASSY. FIXED	25
	80142662	LIGHT ASSEMBLY-LED FLOOD	
	80004449	KIT - FRONT WIPER (24 VOLT) (COMPLETE ASSEMBLY)	27
	80124600	WORK LIGHT HA - JUMPER	29
	80144966	HEATER & AC INSTALL-SS CAB 24V	31
	80144376	KIT - 24V HEATER/COOL	33
	80104074	CAB ACOUSTICS INSTALLATION	37
	80104075	MISC CAB COMPONENTS INSTALL	39
	80104188	INSTL, CAB BRACKETS	41
	80104189	INSTL, CAB PEDAL GROUP	43
	80079452	PLUG INSTALLATION	45
	80123879	CONSOLE CONTROL ASSY CAB	47
	80102334	CONSOLE OVERHEAD ASSY	49
	80144351	CNTRL PANEL-HEAT/AC 12/24V	
	80123880	CONSOLE RIGHT HAND ASSY	51
	84054782	DISPLAY CCS COLOR	55
	80123881	CONSOLE LEFT HAND ASSY	57
	A024680	CONTROLLER, JOYSTICK	59
	80102338	CONSOLE REAR ASSY	63
	80107986	PANEL ASSY ELEC REAR CAB UPPER	65
	80107988	PANEL ASSY ELEC REAR CAB LOWER	67
	80107991	PANEL ASSY ELEC REAR CAB INNER	69
	A02019	FOOT PEDAL ASSY THROTTLE CONTR	71
	80123266	SEAT ASSY CAB	73
	80136911	SEAT RISER-6-WAY POWER	75

CLICK HERE TO **DOWNLOAD** THE COMPLETE MANUAL

- Thank you very much for reading the preview of the manual.
- You can download the complete manual from: www.heydownloads.com by clicking the link below



- Please note: If there is no response to CLICKING the link, please download this PDF first and then click on it.

CLICK HERE TO **DOWNLOAD** THE COMPLETE MANUAL

Manitowoc Cranes

Description
CAB INSTL CAB MOUNTING ASSY

Assembly No.
84054265
Revision: C

Item	FN	Part	Qty	Description
1	+	80123265	1	CAB ASSY 24V CCS
2		5483450	4	NUT, HEX LOCK
3	#	7638000203	4	MOUNT, SHOCK
4		7949000148	8	WASHER, 5/8" I.D. FLAT
5	+	80108575	1	WINDSHIELD WASHER ASSY

+ SEE FURTHER BREAKDOWN THIS GROUP

SERVICED AS AN ASSEMBLY ONLY

Manitowoc Cranes

Description

CAB - SUB ASSY 24V CRAWLER

Assembly No.

80113644

Revision: **G**

Item	FN	Part	Qty	Description
74	+	80124600	2	WORK LIGHT HA - JUMPER
75		80099881	2	90 DEG BLK STR
76		80104186	1	MAT, FLOOR
77		80118984	2	BRACKET

+ SEE FURTHER BREAKDOWN THIS GROUP

Manitowoc Cranes

Description
GLASS ASSY. SLIDING

Assembly No.
90039109
Revision:

Item	FN	Part	Qty	Description
1		90038877	1	GASKET, WEATHERFIN SEAL
2		NSS	1	NOT SERVICED SEPARATELY MOLDING, RUBBER
4		NSS	1	NOT SERVICED SEPARATELY GLASS, SLIDING
5		90039115	1	LATCH ASSY.

Manitowoc Cranes

Description

KIT - 24V HEATER/COOL

Assembly No.

80144376

Revision:

Item	FN	Part	Qty	Description
1		90062449	1	FRAME, OUTER
2		90062450	1	FRAME, INNER
3		90062451	1	DRAIN PAN ASSY
4		90062452	1	COVER, TOP AIR BOX
5		90062453	1	COIL, HEATER
6		90062454	1	COIL, EVAP
7		90062455	1	CAP, END
8		90062458	1	VALVE, EXPANSION BLOCK
9		90062459	1	THERMOSTAT, DUAL
10		90062460	1	BRACKET
11		90062461	1	BLOWER,DUAL, 24V
12		90062462	1	CAP, OUTER AIR BOX
13		90042779	8	RIVET, 3/16"
14		90062463	1	COVER,SIDE AIR BOX
15		90062464	1	GROMMET
16		90062465	21	SCREW
17		90062466	1	INSULATION
18		90062467	2	NUT
19		90062468	2	BOLT
20		90062469	1	KIT, INSULATION
21		90062470	1	PLATE, MAIN COVER
22		90062471	1	HANDLE
23		90062472	1	LOUVER ROUND
24		90062473	1	PANEL
25		90021058	2	CAPSCREW
26		90062474	2	NUT
27		90062476	1	LABEL, WARNING
28		90062477	1	MTG BRACKET,SIDE
29		90062478	1	MTG BRACKET
30		90062479	1	VALVE ASSY, 24V
31		90021054	4	NUT, LOCK #10 S.S.
32		90062480	1	HOSE, HEATER
33		90062481	1	TEE
34		90062482	6	CLAMP
35		90062483	1	HOSE, HEATER
36		90062484	1	PLENUM ASSY
37		90062485	1	FRAME, OUTER BOX
38		90062486	1	PLATE
39		90062487	1	GRATE

Manitowoc Cranes

Description

INSTL, CAB PEDAL GROUP

Assembly No.

80104189

Revision: **C**

Item	FN	Part	Qty	Description
1		80115288	8	FASTENER M6 X 25 LG BLACK SS
2		810063210	6	SCREW, SOCKET BUTTON CAP
3		7661150003	2	NUT, HEX
4		7951150014	2	F WASHER
8		80105909	1	WELDMENT, FLOOR MOUNT PLATE
9		80104280	2	PLATE- PEDAL PLATE COVER

Manitowoc Cranes

Notes

Manitowoc Cranes

Description
CONSOLE REAR ASSY

Assembly No.
80102338
Revision: C

Item	FN	Part	Qty	Description
1		80107868	1	PANEL RECPTACLE FLOOR MOUNT
2	+	80107986	1	PANEL ASSY ELEC REAR CAB UPPER
3	+	80107988	1	PANEL ASSY ELEC REAR CAB LOWER
4	+	80107991	1	PANEL ASSY ELEC REAR CAB INNER
5		810247150	1	RELAY 24V 10A
6		7099001159	4	SCREW, THUMB
7		7115140550	16	HHCS 1/4-20UNCX0.63 G5
8		7126151153	4	HHCS M6X20 SS ISO 4017
9		7126171153	4	HHCS M8X20 8.8 ISO 4017
10		7126191253	4	HHCS
11		7519000198	4	NYLON LIFT OFF HINGE, LH
12		7659000287	4	RETAINING NUT 5/16-18UNC
13		7661130003	1	HEX NUT M5 8 ISO 4032
14		7950140050	16	WASHER, LOCK 1/4"
15		7951170210	4	L WASHER
16		7951190580	4	SER WASHER 10 -HRC44-51 DIN 67
17		A039400	1	PLUG HOLE 0.625 DIA HOLE
18		A118130	1	POWER SUPPLY
19		A183310	4	HEX KEPS LNUT
20		A183320	4	WASHER, LOCK COUNTERSUNK
21		A196490	1	WASHER FLAT
22		A200200	1	SLOT PMS
23		3503330	4	CLOSURE PLUG DOME
24		A019730	2	CONNECTOR, BULKHEAD

+ SEE FURTHER BREAKDOWN THIS GROUP

Manitowoc Cranes

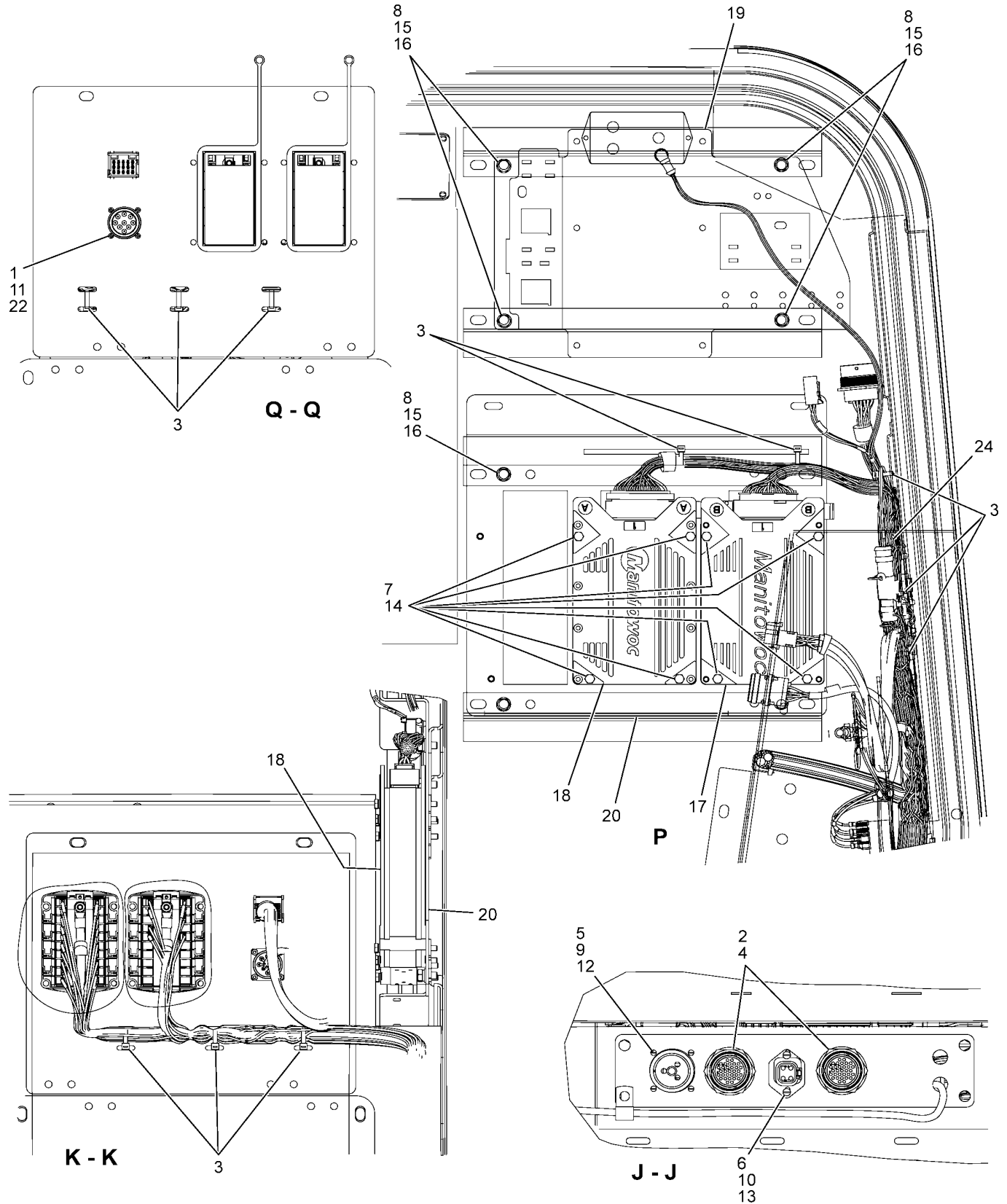
Description
SEAT ASSY CAB

Assembly No.
80123266
Revision: C

Item	FN	Part	Qty	Description
1		80122605	1	SEAT HEADREST CAB 1NO/1NC SW
2		80116362	1	BRACKET SEAT PLATE
3	+	80136911	1	SEAT RISER-6-WAY POWER
4		03193874	1	BEARING PIN
5		7661170003	4	NUT
6		03044941	1	LOCKING WASHER
7		7951170014	10	F WASHER
8		80064695	1	SWIVEL ARM
9		03193875	2	SLIDING BEARING
10		00028194	1	RETAINING RING
11		03143248	1	PIN
12		7312000095	1	HAIRPIN (FOR 5/16-1/2 PIN)
13		03194045	1	FLASH POINT
14		03194042	1	GAS SPRING
15		80104025	1	BRACKET SEAT ADAPTER PLATE
16		7126171153	4	HHCS M8X20 8.8 ISO 4017
17		7103030	4	WASHER, LOCK
18		5460530	4	NUT, HEX
19		7951170210	12	L WASHER
20		84054803	1	MOD WIRING HARNESS
				INCLUDES THE FOLLOWING PARTS
		3642210	1	CONNECTOR, 2 POLE SHROUD
		6228720	2	SEAL, CABLE
		6805450	2	TERMINAL, PIN CONTACT
21		7126171253	4	HHCS M8X25 8.8 ISO 4017
22		7126171053	4	HHCS M8X16 SS ISO 4017
23		80107139	1	STOP SEAT RISER
24		7103020	2	WASHER, LOCK
25		6123540	2	HHCS
26		7951170054	8	FLAT WASHER 8 100HV FLZN
27		3490060	1	CLIP
28		A040120	1	RETAINER
29		80135377	1	BAR

+ SEE FURTHER BREAKDOWN THIS GROUP

Manitowoc Cranes



Manitowoc Cranes

Description
DECAL KIT CAB

Assembly No.
80115687
Revision: **B**

Item	FN	Part	Qty	Description
2		95496	1	DECAL DANGER ELETROCUTION HAZA
3		0972819	1	DECAL NO STEP
4		1478482	1	DECAL (EN) PATENT
5		1728592	1	DECAL-CAUTION-REMOTE CAUTION-R
8		1769272	1	DECAL (EN) BUILT TO ASME B30.5
9		1768822	1	DECAL-OPERATORS MANUAL WARNING
10		80102744	1	PLATE CRANE ID MFG IN SG
11		184679	1	DECAL-HAND SIGNALS
12		810182050	1	DECAL (EN) 29CFR 1926.1423
17		810015300	1	DECAL WARNING READ MANUAL
24		81007557	1	DECAL - WARNING CALIFORNIA PROP 65
35		810188410	1	DECAL FIRE EXTINGUISHER

Manitowoc Cranes

Description

SLEWING RING BRG INSTALL ASSY

Assembly No.

84054310

Revision: **B**

Item	FN	Part	Qty	Description
1		6144350	96	HHCS
2		7113850	96	F WASHER
3		80123557	1	SLEWING RING BRG 1864X1428X122 BEARING 84054311 IS ACCEPTABLE ALTERNATIVE
4		A115672	2	PIN SHEAR

Manitowoc Cranes

Description
ACCESSORY RADIO CAB

Assembly No.
80102717
Revision: B

Item	FN	Part	Qty	Description
1		80106138	1	RADIO, 24V (USB/MP3/BLUETOOTH)
2		80106144	1	SPEAKERS, 100mm/2-WAY/50W
3		80106145	1	ANTENNA AM / FM
4	+	80108386	1	HARNES ASSY-RADIO
5		80123652	1	SHIM SPEAKER

+ SEE FURTHER BREAKDOWN THIS GROUP

Manitowoc Cranes

Description

PLATFORM ASSY 935 MM

Assembly No.

80105550

Revision: **D**

Item	FN	Part	Qty	Description
2		7127191353	8	CAP SCREW, M10 X 30
3		7127191553	2	HHCS FULL THREAD
4		7127191753	6	HHCS M10x50 10.9 FULL THREAD
5		7661190004	2	NUT
6		7661190804	14	HEX LOCK NUT M10
8		7951190014	28	F WASHER 10
9		80104563	2	GRATING TREAD 50.8X254X914.4
10		80105551	2	PLATE 10X60X730
11		80105552	2	PLATE BEARING PLATFORM
14		7126211353	4	HHCS
15		7661210803	4	HEX LOCK NUT
16		7951210014	8	F WASHER 12 -ST ISO 7089
17		80113464	1	PLATE PALTFORM

Manitowoc Cranes

Description

PLATFORM ASSY 774 MM

Assembly No.

80114489

Revision: **A**

Item	FN	Part	Qty	Description
1		80114950	2	GRATING 38.1x177.8x762.0
2		80114952	2	BRACKET PLATFORM
3		7127191353	8	CAP SCREW, M10 X 30
4		7661190804	8	HEX LOCK NUT M10
5		7951190014	16	F WASHER 10

Manitowoc Cranes

Description PARTS BOX ASSY				Assembly No. 84054316 Revision: F
Item	FN	Part	Qty	Description
1		0735622	76	SHIM
3		3341012	1	CHAIN 7FT LONG ATB
4	+	3856530	1	JACK CYLINDER
5		80114643	1	HOSE ASSY CRAWLER TENSION
6		5621520	6	PIN COTTER, 3/8 DIA X 4.00 LG
7		6246330	2	SHACKLE
8		80112790	4	LINK MACH #290
9		80106394	2	PIN 66.0 DIA X 140.5 LG
10		80107447	1	SLING 3L X 40.4MT X 1.37M
11		810061640	1	PARTS BOX CRAWLER FRAME 42 IN
12	+	810249430	1	VALVE ASSY QUICK DRAIN
14		9999101803	1	SPRAY CORROSION PREVENTATIVE
15	+	A041430	1	PUMP HYD HAND
16		A11041	2	SOCKET BUTTON 22-26MM
19	+	80075460	1	WEIGHT-LMI A2B
21		80112791	2	PIN 1 HOLE 63.5 DIA X 136.5 LG
22		80132063	1	KIT, OIL SAMPLE-10PK
		80132062	10	INCLUDES THE FOLLOWING PARTS KIT, OIL SAMPLE-SINGLE
23		80137446	1	WRENCH HEX KEY .25

+ SEE FURTHER BREAKDOWN THIS GROUP

Manitowoc Cranes

Description
ENCLOSURE ASSY

Assembly No.
84054267
Revision: **G**

Item	FN	Part	Qty	Description
1		7126191453	27	HHCS M10X35 8.8 FLZN 4017
2		7661190803	34	HEX LOCK NUT M10 -8 ISO 7040
3		7951190054	69	FLAT WASHER 10 100HV FLZ
4	+	80144477	1	ENCLOSURE RIGHT
5	+	84054269	1	ENCLOSURE ASSY LEFT
6		6637007001	2	MOLDING - USE 9637100001 QTY 1 MOULDING 1 FOOT
9		7126191353	8	HHCS
14		80113994	2	PLATE 2.7X142X300

+ SEE FURTHER BREAKDOWN THIS GROUP

Manitowoc Cranes

<u>Description</u> DOOR ASSY				Assembly No. 80114094 Revision: A
Item	FN	Part	Qty	Description
1		6637037003	2	MOULDING - USE 8246964300 QTY 3 MOULDING 3 FEET
2		6637037006	1	CHANNEL, BULB USE 8246964300 QTY 6 CHANNEL 6 FEET
3		7115140550	4	HHCS 1/4-20UNCX0.63 G5
4		7123130918	14	SBCS M5x14 A2 ISO 7380
5		7661130803	14	LOCKNUT
6		7690021210	2	PIN, 3/32" X 3/4" LONG COTTER
7		7951130014	14	F WASHER 5 ST ISO 7089
8		80108372	1	HINGE DOOR TYPE A
9		80108373	1	HINGE DOOR TYPE B
10		80114095	1	DOOR PANEL WELD
11		80108649	1	LATCH PADDLE 2 POINT
12		80108723	1	LATCH ROTARY RH
13		80108724	1	LATCH ROTARY LH
14		80108725	1	BRACKET MOUNTING RH
15		80108726	1	BRACKET MOUNTING LH
16		80108727	2	CLIP RETAINING
17		80108729	2	CABLE CONTROL LATCH

Manitowoc Cranes

Description
DOOR ASSY

Assembly No.
80108370
Revision: A

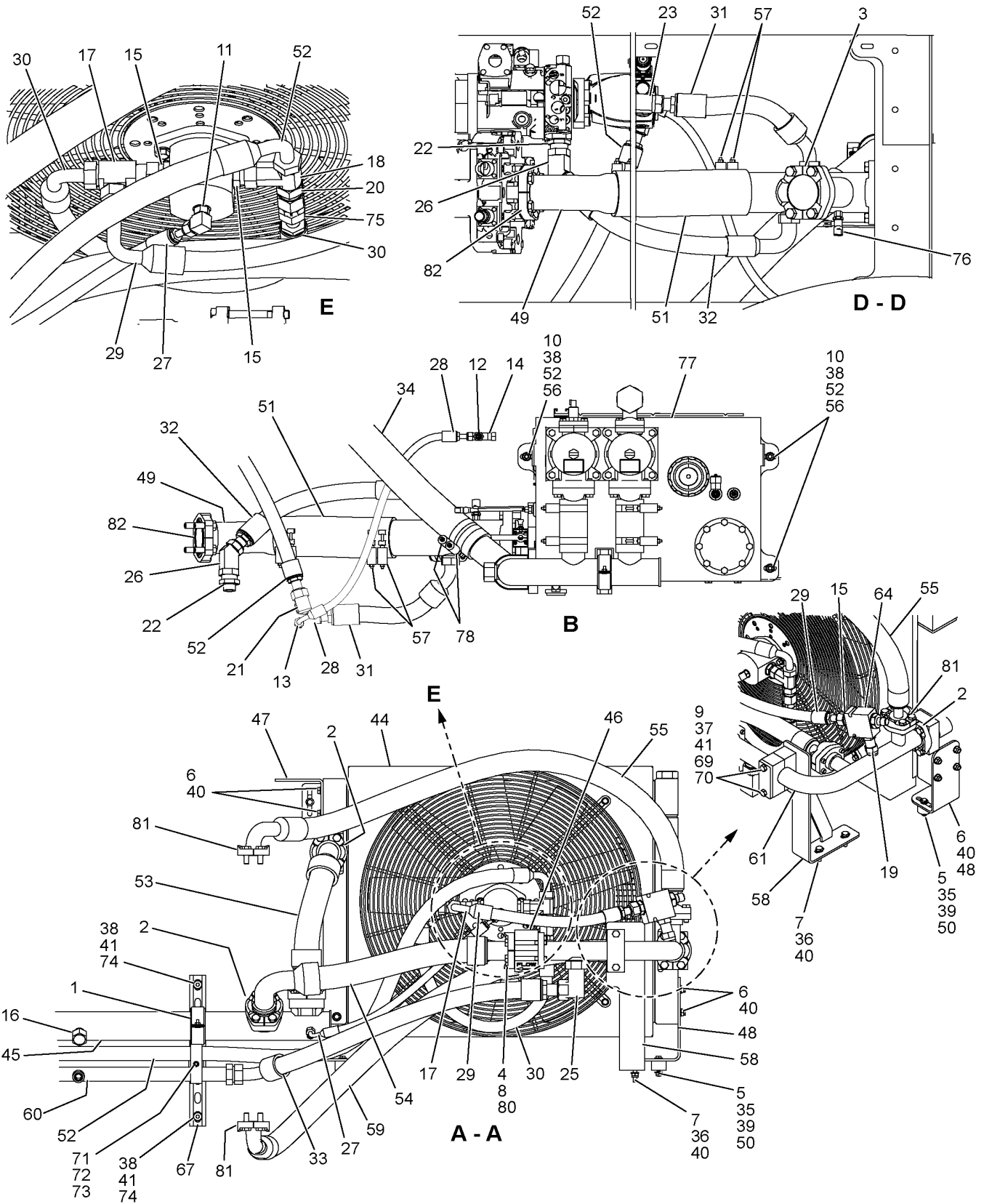
Item	FN	Part	Qty	Description
1		6637037003	2	MOULDING - USE 8246964300 QTY 3 MOULDING 3 FEET
2		6637037006	1	CHANNEL, BULB USE 8246964300 QTY 6 CHANNEL 6 FEET
3		7115140550	4	HHCS 1/4-20UNCX0.63 G5
4		7123130918	14	SBCS M5x14 A2 ISO 7380
5		7661130803	14	LOCKNUT
6		7690021210	2	PIN, 3/32" X 3/4" LONG COTTER
7		7951130014	14	F WASHER 5 ST ISO 7089
8		80108372	1	HINGE DOOR TYPE A
9		80108373	1	HINGE DOOR TYPE B
10		80108598	1	DOOR PANEL WELD
11		80108649	1	LATCH PADDLE 2 POINT
12		80108723	1	LATCH ROTARY RH
13		80108724	1	LATCH ROTARY LH
14		80108725	1	BRACKET MOUNTING RH
15		80108726	1	BRACKET MOUNTING LH
16		80108727	2	CLIP RETAINING
17		80108729	2	CABLE CONTROL LATCH

Manitowoc Cranes

Description PAWL ASSY BOOM HOIST				Assembly No. 80107687 Revision: H
Item	FN	Part	Qty	Description
1		428576	2	ELBOW 90 DEG. .25 NPT
2		7440010200	1	FITTING GREASE 0.25 NPT 45 DEG
3		4299360	1	FITTING
4		5620420	1	PIN COTTER
5		5620440	4	PIN, COTTER
6		80107688	1	BRACKET GREASE FITTING
7		80107689	1	SHAFT 45.0 DIA X 117.0 LG
8		81021008	2	PIN 2 HOLE
9		810259862	6	SHIM
10	+	81019943	1	CYLINDER HYDR
11		810267143	1	BRACKET BOOM HOIST PAWL
12		80113377	1	PAWL BOOM HOIST
13		810267163	1	CAM
14		810267172	1	SPRING 16 ODX2.6 WIREX125.0 L
15		810267182	1	BOLT EYE M8-1.25 X 50.0 X 3.0
16		810267192	1	SPACER TUBE 35.0 OD X 20.0 ID
17		810267202	1	SPACER TUBE 35.0 OD X 20.0 ID
18		810267212	1	BUSHING 55.0 OD X 20.0 ID X 30
19		810269280	1	TUBE ROUND
20		7126170853	2	HHCS M8x12 -8.8 ISO 4017
21		7126191250	2	HHCS M10X25 8.8 FLZN ISO 4014
22		7126211553	4	HHCS M12X40 8.8 FLZN ISO 4017
23		7661170003	2	NUT
24		7951170014	2	F WASHER
25		7951190015	2	F WASHER
26		7951210014	4	F WASHER 12 -ST ISO 7089
27		7951210220	4	L WASHER 12 -HRC44-51 DIN 127
28		A002012	1	PLATE KEEPER
29		A177492	1	PIN 1 HOLE W/HD
31		7127151053	2	HHCS FULL THREAD
34		7951150014	2	F WASHER
38		7123111354	2	SHCS M4x30 A2 ISO4762
39		766111080A	2	Hex Nut M4 ISO 7040
40		7951110016	2	F WASHER 4 A2 ISO 7089
41		7951110216	2	L WASHER
42		80145492	1	ELEC CABLE LIMIT SWITCH 3P
43		80146230	1	LIMIT SWITCH LEVER
44		80148523	1	BRACKET LIMIT SWITCH

+ SEE FURTHER BREAKDOWN THIS GROUP

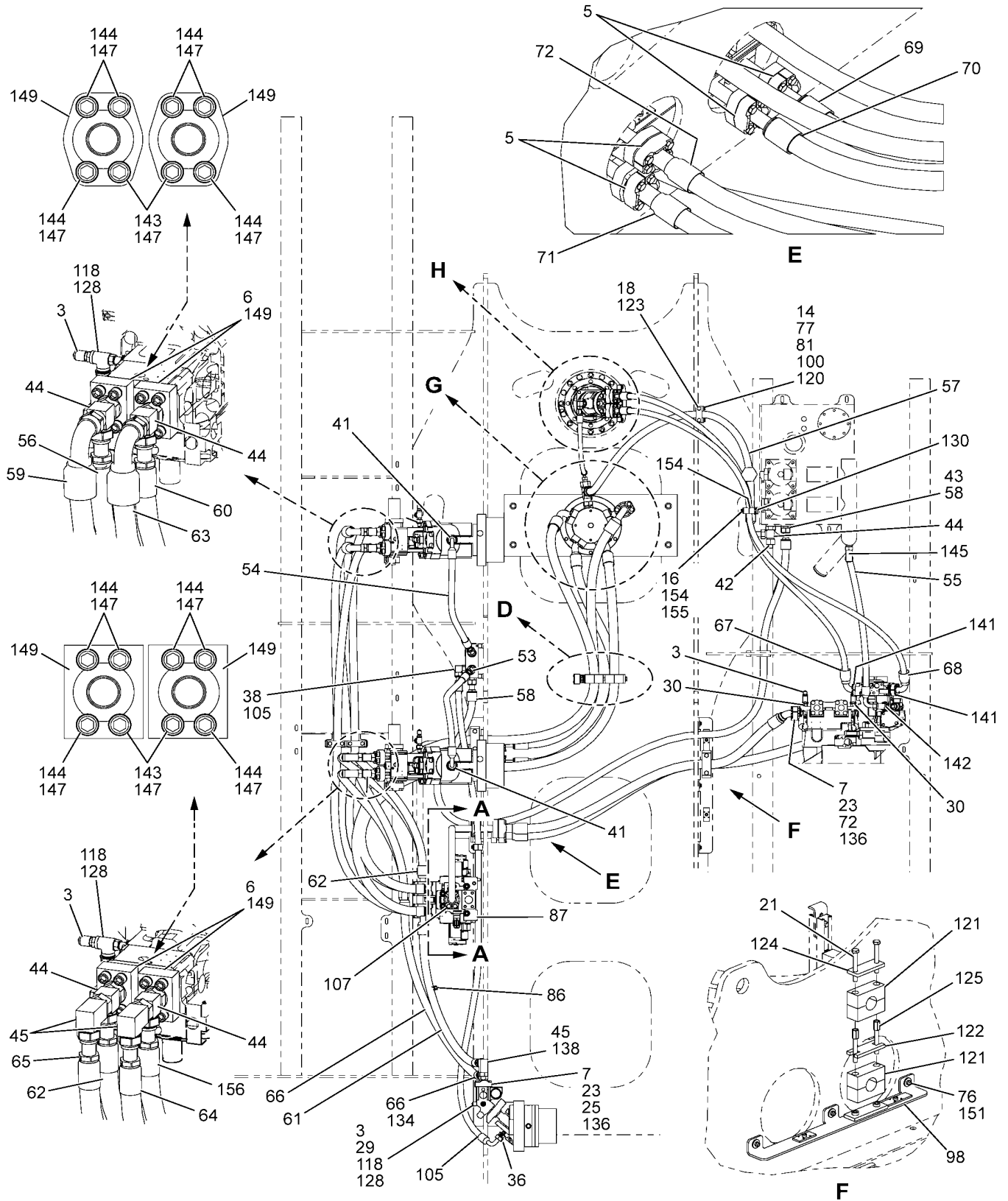
Manitowoc Cranes



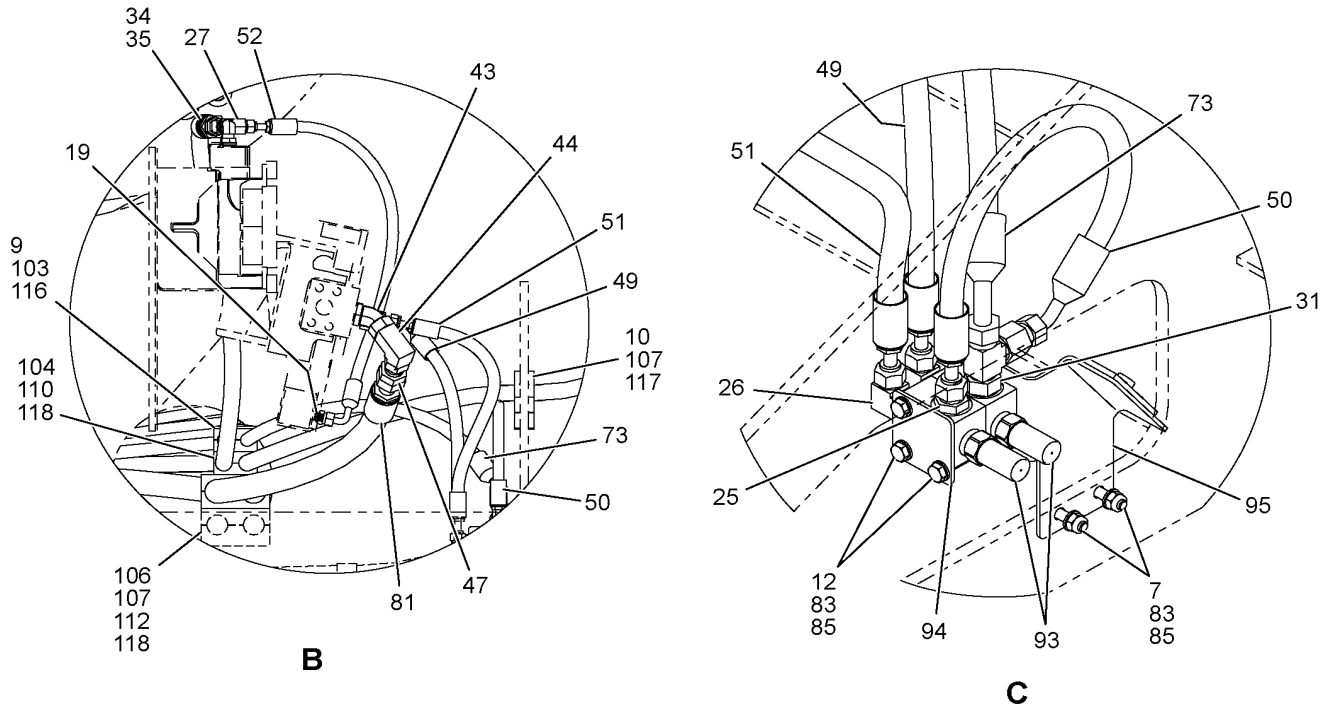
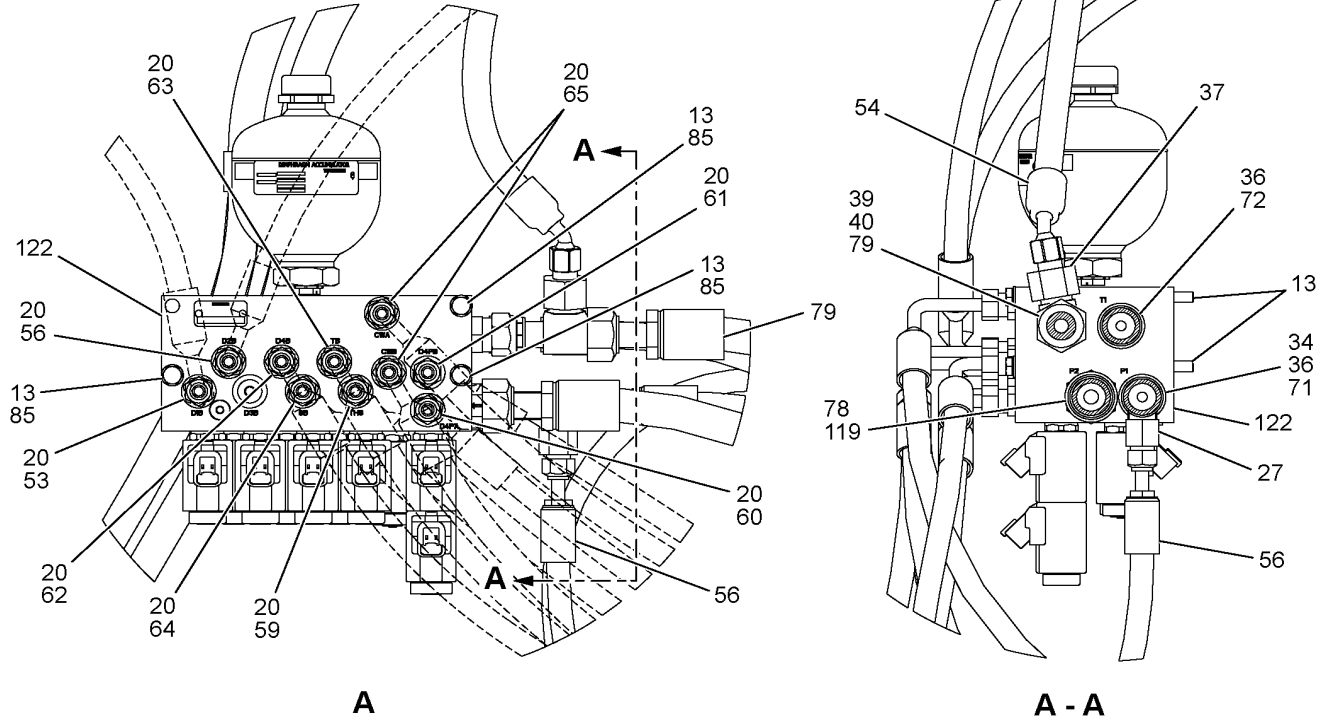
80116315

(SHEET 2 OF 2)

Manitowoc Cranes



Manitowoc Cranes



Manitowoc Cranes

Description
ESI BOOM TOP CAMERA

Assembly No.
80104650
Revision: **B**

Item	FN	Part	Qty	Description
1		80104819	1	BRACKET CAMERA SUPPORT
2		7115164050	2	HHCS 3/8-16UNCx5 G5
3		5483420	2	NUT, LOCK
4		6670050	15	STRAP
5		7094400	4	WASHER, FLAT

Manitowoc Cranes

Description
ESI ROTATING BED

Assembly No.
84054249
Revision: **F**

Item	FN	Part	Qty	Description
1		5469560	4	NUT PANEL
2		5469670	1	NUT PANEL
3		7114320	1	WASHER
4		7114330	4	WASHER
5		7126150853	2	CAP SCREW, M6X12 HEX HEAD
8		7951150587	2	SER L WASHER 6 A2 DIN 6797A
9		80105675	1	ELEC CABLE WBB1
10		80107552	1	WIRING HARNESS WCE1
11	+	80107601	1	SWITCH ASSY SETUP REMOTE
12		80108732	1	ELEC CABLE BRD GND STRAP 24.00
14	+	84055178	1	ESI ROT BED MOUNTING
15		80114093	1	WIRING HARNESS WRL1
18		84055183	1	WIRING HARNESS WRR1
20		84055190	1	WIRING HARNESS WRL3
22		7115161050	1	HHCS 3/8-16UNCX1.25 G5
23		7660160000	1	HEX NUT 3/8-16UNC SAE-2
24		7950160050	1	WASHER, LOCK 3/8" I.D.
25		7950160141	1	WASHER, FLAT 3/8" NARROW
26		7950160350	1	WASHER, LOCK 3/8" I.D.
27		810089770	1	RETAINER
28		810089990	1	RETAINER
29		7951190220	1	L WASHER
30		80123566	1	MAGNET ZIP TIE MOUNT

+ SEE FURTHER BREAKDOWN THIS GROUP

Manitowoc Cranes

Description

LIMIT SWITCH MOLDED 3P SUBASSY

Assembly No.

80129368

Revision: **A**

Item	FN	Part	Qty	Description
1		80129250	1	CABLE GLAND NPT 0.50 ID 4-10
2		80129369	1	CABLE
3		810161270	1	SWITCH, LIMIT
20		80129369	2	CABLE
21		2972110	1	CABLE, WIRE

Manitowoc Cranes

Description ESI CAMERA INSTL				Assembly No. 80108532 Revision: E
Item	FN	Part	Qty	Description
1		80114958	1	WIRING HARNESS WRL5 CAMERA PWR
2		80111396	2	BRACKET DUAL CAMERA MOUNT
3		80111532	2	CAMERA 40 DEGREE
4		80111535	1	CAMERA 102 DEGREE
5		80111695	2	COVER CAMERA PROTECTIVE
6		81007446	1	CABLE ELEC CCTV 4 PIN 9 M
7		81007446	1	CABLE ELEC CCTV 4 PIN 9 M
8		810074450	1	CABLE ELEC CCTV 4 PIN 12 METER
9		81038554	3	LIGHT 10-48V LED
10		7126191053	4	HHCS 10 X 16 8.8
11		7951190014	4	F WASHER 10
12		7951190210	4	LOCK WASHER, 10MM
13		84021495	1	CAMERA SWITCHER
14		7126111053	4	HHCS M4X16 8.8 ISO 4017
15		7661110803	4	NUT LOCK NYLON
16		7951110014	4	WASHER, 4MM I.D.
17		80118985	1	ELEC CABLE WBB2 CCTV 7P 90M
18		6670070	75	STRAP
19		6670080	10	STRAP
20		7126151053	4	CAP SCREW, M6 X 16MM HEX HEAD
21		7951150014	4	F WASHER
22		7661150803	4	NUT NYLOC

Manitowoc Cranes

Description

ESI POSITION LIGHT & ANEMOMETE

Assembly No.

810316421

Revision: D

Item	FN	Part	Qty	Description
1		2898180	1	BUSHING, COMPOSITE
2		5460530	2	NUT, HEX
3		5638710	2	PIN, SAFETY
4		6124070	2	HHCS 5/16-18UNC X 1.25 GR 5
5		7103030	2	WASHER, LOCK
6		810070010	2	WIRE
7		810070020	4	SLEEVE
8	+	810209900	1	SENSOR WIND SPEED
9	+	810250570	1	SUBASSY POSITION LIGHT
10		80126333	1	BRACKET WIND SPEED CWT
11		810316432	1	BRACKET
12		7121130801	3	MACHINE SCREW
13		7661240103	1	NUT
14		7951240014	1	FLATWASHER 16MM I.D.
15		80126334	1	BRACKET WIND SPEED MOUNT
16		7126151253	4	HHCS M6X25 8.8 FLZN 4017
17		7661150003	4	NUT, HEX
18		7951150014	8	F WASHER

+ SEE FURTHER BREAKDOWN THIS GROUP

Manitowoc Cranes

Description
BATTERY ASSY

Assembly No.
80101949
 Revision: **F**

Item	FN	Part	Qty	Description
1		7951210014	8	F WASHER 12 -ST ISO 7089
4		7661210803	4	HEX LOCK NUT
9		7126211553	4	HHCS M12X40 8.8 FLZN ISO 4017
15		810006580	2	BATTERY
16		80109050	1	CABLE BATTERY, JUMP 30IN
24	+	80122067	1	BATTERY BOX ASSY

+ SEE FURTHER BREAKDOWN THIS GROUP

Manitowoc Cranes

Description
PUMP DRIVE ASSY

Assembly No.
84054258
Revision: **B**

Item	FN	Part	Qty	Description
1		6149170	2	SHCS
2		7114280	2	WASHER, FLAT SHIM
3		7127241853	2	SCR CP HX HD
4		7951240095	2	F WASHER
5		80101616	1	PUMP 107 X 107 VARIABLE
6		80101617	1	PUMP VARIABLE 56CC/REV
7		80101618	1	PUMP 18CC/REV VARIABLE

CLICK HERE TO **DOWNLOAD** THE COMPLETE MANUAL

- Thank you very much for reading the preview of the manual.
- You can download the complete manual from: www.heydownloads.com by clicking the link below



- Please note: If there is no response to CLICKING the link, please download this PDF first and then click on it.

CLICK HERE TO **DOWNLOAD** THE COMPLETE MANUAL

Manitowoc Cranes

Description
AIR COND KIT HOSES

Assembly No.
80145431
Revision: **A**

Item	FN	Part	Qty	Description
1		6727060	1	SWITCH, HI/LOW
2		80145432	1	HOSE ASSY .31 IDX5556X216 LG
3		80145433	1	HOSE ASSY .41 IDX5557X210 LG
4		80145434	1	HOSE ASSY .50 IDX5558X234 LG

Manitowoc Cranes

Description
1000HR SERVICE KIT

Assembly No.
80119866
 Revision: **A**

Item	FN	Part	Qty	Description
1		90049239	1	FUEL FILTER
2		90026681	1	FILTER, FUEL/WATER SEPARATOR
3		9414101679	1	FILTER,OIL
4		A179240	2	ELEMENT, FILTER
5		4272850	1	FILTER, HYDRAULIC
6	+	9437220086	2	KIT, SEAL
7	+	80119867	1	2000HR SERVICE KIT FOR REFERENCE ONLY; NOT INCLUDED IN 80119866.

+ SEE FURTHER BREAKDOWN THIS GROUP

Manitowoc Cranes

Description
CARBODY ASSY

Assembly No.
84054298
Revision: **G**

Item	FN	Part	Qty	Description
1		4290100	8	FITTING LUBE, NPT .25
2		5621300	4	PIN COTTER
3		5638230	8	PIN SAFETY
5		80114953	2	CYL HYD CRAWLER EXTENSION
6	+	80115609	1	HYD LINES INSTL CARBODY
7		80115280	4	BEAM EXTENSION MACHINING
8		80105058	4	PIN W/HD 100.0DIA X 435LG
9		80105081	4	RETAINING RING INT 4.625(INCH)
10		80115607	4	BLOCK STOP WELDMENT
11		80105364	4	SHIM PACK CARBODY/CRAWLER INCLUDES THE FOLLOWING PARTS
		80105353	1	SHIM CRAWLER, 2MM (14GA)
		80105354	1	SHIM CRAWLER, 4MM (8GA)
		80105355	1	SHIM CRAWLER, 6MM (.25 IN)
		80105356	1	SHIM CRAWLER, 8MM (.31 IN)
		80105357	1	SHIM CRAWLER, 10MM (.38 IN)
12		80107445	2	PIN 2 HOLE 60.00 DIA X 155 LG
13		84033646	10	PIN 60.0 DIA X 139.0 LG
16		84054305	1	CARBODY MACHINING
17		81031526	12	PIN QUICK RELEASE
18		A117992	10	PIN 2 HOLE
19		5638250	4	PIN SAFETY
20		5620840	8	PIN COTTER

+ SEE FURTHER BREAKDOWN THIS GROUP

Manitowoc Cranes

<u>Description</u> CRAWLER ASSY				Assembly No. 84054299 Revision: F
Item	FN	Part	Qty	Description
1		0735622	18	SHIM
2		1703889	2	BOLT FRONT IDLER
3		1707742	2	SHIM
4		4290100	2	FITTING LUBE, NPT .25
5		5471130	2	HEX NUT
6		5621050	8	PIN COTTER
7		5717040	2	PLUG, PIPE
8		7126191850	1	HHCS M10x55 -8.8 ISO 4014
9		7126211253	3	HHCS M12X25 8.8 FLZN ISO 4017
10		7126241253	16	HHCS M16x25 -8.8 ISO 4017
11		7126241950	8	SCREW, CAP M16X60 HEX HEAD
12		7127292850	44	HHCS M24x120 10.9 ISO 4014
13		7661190804	1	HEX LOCK NUT M10
14		7950260141	8	WASHER, 1" I.D.
15		7951210054	5	FLAT WASHER 12 100HV FLZN
16		7951240095	8	F WASHER
17		7951290095	44	F WASHER
18	+	80103985	1	CRAWLER DRIVE ASSY
20		80107655	1	BRACKET HOSE
21		80107880	4	STEP CRAWLER
22		810224591	2	CRAWLER ADJUSTMENT ROD
23		810276370	6	PIN QUICK RELEASE
24		810284270	4	PIN SAFETY .25 DIA X 2.50 LG
25		810300692	2	SPACER
26		810339312	2	COVER
27		81035218	4	PIN 2 HOLE
28		84032133	2	SEAL 140.0 X 165.0 X 13.0
29		84032134	1	SHAFT FRONT ROLLER
30		84032135	2	WASHER THURST FRONT ROLLER
31	+	84032137	1	ROLLER CRAWLER FRONT ASSY
32		80115214	1	CRAWLER MACHINING
33		84054351	11	ROLLER INTERMEDIATE ASSY
34		80112678	1	COVER DRIVE
35		A030330	4	PIN, DOWEL ROLL
36		80114212	1	TUBE 19.1 OD X 2.8 W
37		7126213450	1	HHCS M12x180 8.8 FLZN ISO 4014
38		80115043	2	SHIM 10.0
39		7126191254	4	SHCS M10x25 -8.8 ISO 4762
40		7661190803	4	HEX LOCK NUT M10 -8 ISO 7040

+ SEE FURTHER BREAKDOWN THIS GROUP

Manitowoc Cranes

Description

COUNTERWEIGHT CARBODY ASSY

Assembly No.

84054313

Revision: **A**

Item	FN	Part	Qty	Description
1		1790102	4	PIN
2		5638160	8	PIN COTTER
3		80106268	2	COUNTERWEIGHT CARBODY BOX

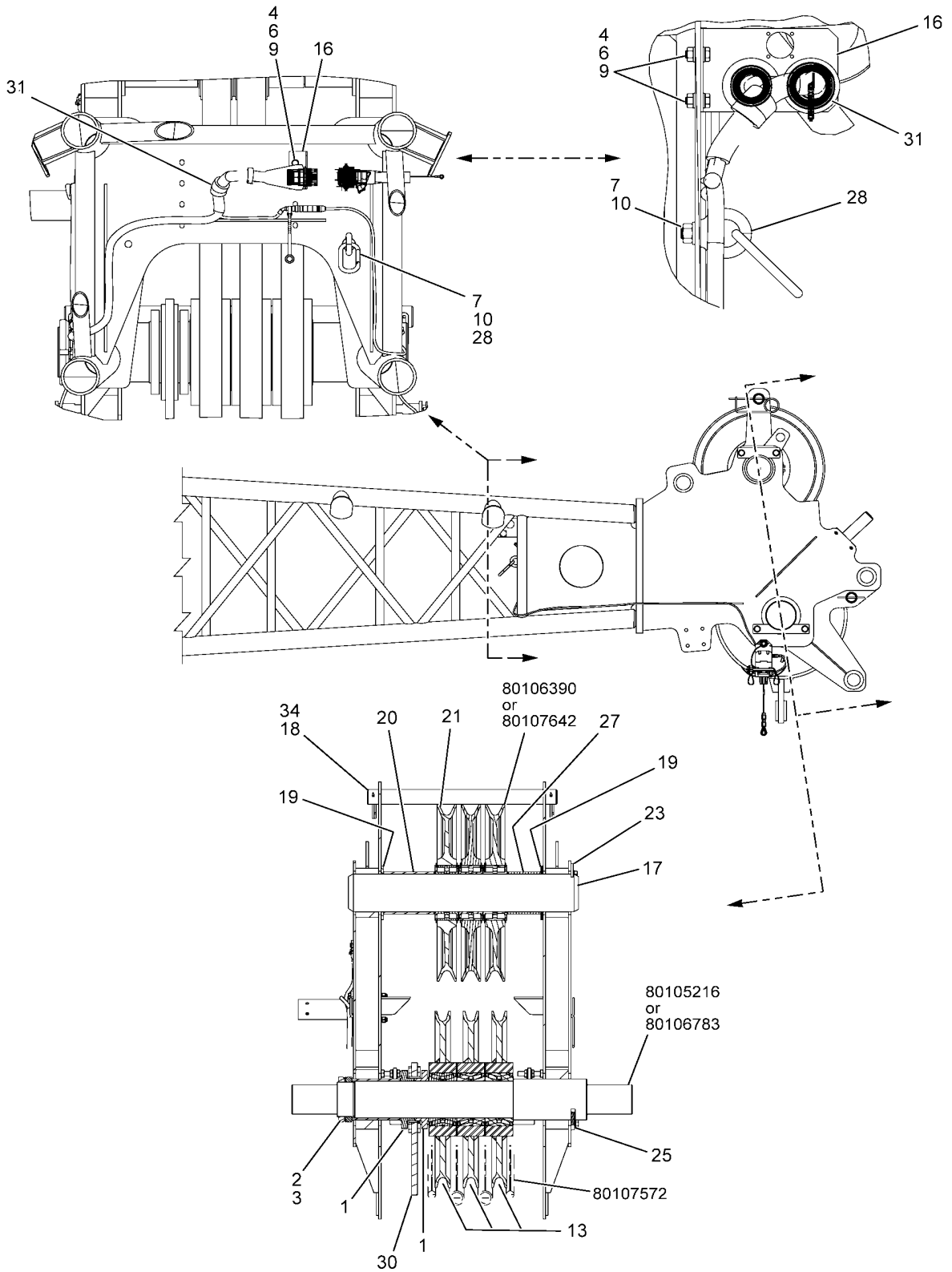
Manitowoc Cranes

Description
EQUALIZER ASSY

Assembly No.
84054318
Revision: B

Item	FN	Part	Qty	Description
1		5621480	2	PIN COTTER 3/8 DIA X 2.25 LG
2		80103859	4	LINK TIE BACK
3		80103861	1	SHAFT 99.962 DIA X 308.0
4		80104008	4	PIN 35.00 DIA X 78.0
5		80104821	2	PIN LOCKING, 38 MM U/L
6		84054319	1	EQUALIZER MACH
7		7127211353	4	HHCS M12X30 10.9 FLZN ISO 4017
8		7951210015	4	F WASHER
9		80106337	4	SHEAVE ASSY 19 MM 584.0 OD
10		A078400	2	PLATE ZINC PRIMER KEEPER
11		7951380014	4	F WASHER

Manitowoc Cranes



Manitowoc Cranes

Description
ESI BOOM TOP

Assembly No.
84054355
Revision: D

Item	FN	Part	Qty	Description
1		6670050	15	STRAP
2	+	80091847	1	SWITCH ASSY ATB, W/DUST CAP
3		80104433	1	CLAMP .312 DIA
4		80074783	1	PIN, A2B
5		80118741	1	WIRING HARNESS WBT1
6		7660151601	1	HEX LOCK NUT 5/16-18UNC
7		80110749	1	CARABINER 15.8 OPEN 181 KG
8		7126171253	1	HHCS M8X25 8.8 ISO 4017
9		7951170054	1	FLAT WASHER 8 100HV FLZN
10		7951170210	1	L WASHER
11		7126171954	2	SHCS M8x60 -8.8 ISO 4762 REPLACE ITEM 2 MOUNTING HARDWARE WITH ITEM 11.

+ SEE FURTHER BREAKDOWN THIS GROUP

Manitowoc Cranes

Description
TIMBER ASSY, #290 TOP

Assembly No.
80107136
Revision: B

Item	FN	Part	Qty	Description
1	+	80118405	1	TIMBER ASSY 1.33M
2	+	80105702	1	TIMBER ASSY .81M

+ SEE FURTHER BREAKDOWN THIS GROUP

Manitowoc Cranes

Description

DECAL KIT BOOM INSERT

Assembly No.

80115699

Revision: **A**

Item	FN	Part	Qty	Description
200		81007341	4	DECAL-LIFT POINT
201		147852	2	DECAL-DANGER-BOOM HAZARD

Manitowoc Cranes

Description
TIMBER ASSY 1.33M

Assembly No.
80118405
Revision: **A**

Item	FN	Part	Qty	Description
1		80101817	1	U-BOLT COATED 1.50 PIPE
2		80107135	1	PLATE 3.2 MM
3		80118406	1	PLATE 3.2 MM
4		810277952	1	TIMBER
5		7126152553	4	HEX SCREW, PRECISION
6		7661151103	4	HEX LOCK NUT M6
7		7951150054	8	F WASHER 6 FLZN DIN7980
8		7951190054	2	FLAT WASHER 10 100HV FLZ

Manitowoc Cranes

Description
INSERT #290 6M

Assembly No.
80101584
 Revision: D

Item	FN	Part	Qty	Description
5	*	80102813	4	TUBE 44.45 OD X 2.42 W
6	*	80102815	4	TUBE 44.45 OD X 2.42 W
7	*	80102818	1	TUBE 44.45 OD X 2.42 W
11	*	80103139	16	TUBE 44.45 OD X 2.42 W
12	*	80103140	16	TUBE 38.1 OD X 2.42 W
99	*	80105841	1	LACING KIT PART NOT SHOWN

* REPAIR KIT AND/OR PART OF KIT

Manitowoc Cranes

Description
INSERT #290 12M

Assembly No.
80101581
Revision: D

Item	FN	Part	Qty	Description
5	*	80102813	4	TUBE 44.45 OD X 2.42 W
6	*	80102815	4	TUBE 44.45 OD X 2.42 W
7	*	80102816	32	TUBE 44.45 OD X 2.42 W
8	*	80102817	32	TUBE 38.1 OD X 2.42 W
9	*	80102818	2	TUBE 44.45 OD X 2.42 W
99	*	80105843	1	LACING KIT PART NOT SHOWN

* REPAIR KIT AND/OR PART OF KIT

Manitowoc Cranes

Description
DECAL KIT FJ INSERT

Assembly No.
80123786
Revision: **A**

Item	FN	Part	Qty	Description
500		147852	2	DECAL-DANGER-BOOM HAZARD

Manitowoc Cranes

Description
TIMBER ASSY 1.33M

Assembly No.
80118405
 Revision: **A**

Item	FN	Part	Qty	Description
1		80101817	1	U-BOLT COATED 1.50 PIPE
2		80107135	1	PLATE 3.2 MM
3		80118406	1	PLATE 3.2 MM
4		810277952	1	TIMBER
5		7126152553	4	HEX SCREW, PRECISION
6		7661151103	4	HEX LOCK NUT M6
7		7951150054	8	F WASHER 6 FLZN DIN7980
8		7951190054	2	FLAT WASHER 10 100HV FLZ

Manitowoc Cranes

Description
TIMBER ASSY 1.33M

Assembly No.
80118405
 Revision: **A**

Item	FN	Part	Qty	Description
1		80101817	1	U-BOLT COATED 1.50 PIPE
2		80107135	1	PLATE 3.2 MM
3		80118406	1	PLATE 3.2 MM
4		810277952	1	TIMBER
5		7126152553	4	HEX SCREW, PRECISION
6		7661151103	4	HEX LOCK NUT M6
7		7951150054	8	F WASHER 6 FLZN DIN7980
8		7951190054	2	FLAT WASHER 10 100HV FLZ

Manitowoc Cranes

Description
LINK INT SUSP ASSY

Assembly No.
80107961
Revision: **C**

Item	FN	Part	Qty	Description
1		5636400	3	SAFETY PIN
2		80107051	1	LINK INT SUSP
3		80118942	1	PIN 2 HOLE 54.86 DIA X 130.5
4		80107962	1	PIN 1 HOLE 35.0 DIA X 129.5 LG

Manitowoc Cranes

Description
STOP ASSY #117 STRUT

Assembly No.
80109151
Revision: B

Item	FN	Part	Qty	Description
1		5621090	4	PIN COTTER
2		5636400	1	SAFETY PIN
3	+	80109168	1	STOP ASSY INNER
4		80109169	1	STOP MACH OUTER
5		80109345	1	PIN 1 HOLE 20.0 DIA X 78.5 LG
6		80110325	2	PIN 2 HOLE 39.0 DIA X 40.8 LG

+ SEE FURTHER BREAKDOWN THIS GROUP

Manitowoc Cranes

Description
TOP 15FT JIB #138A

Assembly No.
A07997
Revision: FD

Item	FN	Part	Qty	Description
2		80106157	2	TUBE .75 OD X .109 W (IN)
3		80106179	2	TUBE .75 OD X .109 W (IN)
4		80106206	1	TUBE .75 OD X .109 W (IN)
5		80109795	2	TUBE .75 OD X .109 W (IN)
6		80106192	2	TUBE .75 OD X .109 W (IN)
7		80106193	2	TUBE .75 OD X .109 W (IN)
8		80106194	2	TUBE .75 OD X .109 W (IN)
9		80106195	2	TUBE .75 OD X .109 W (IN)
10		80106196	2	TUBE .75 OD X .109 W (IN)
11		80106197	2	TUBE .75 OD X .109 W (IN)
12		80109796	2	TUBE .75 OD X .109 W (IN)
13		80106199	2	TUBE .75 OD X .109 W (IN)
14		80106200	2	TUBE .75 OD X .109 W (IN)
15		80106201	2	TUBE .75 OD X .109 W (IN)
16		80106202	2	TUBE .75 OD X .109 W (IN)
17		80106203	2	TUBE .75 OD X .109 W (IN)
18		80106204	2	TUBE .75 OD X .109 W (IN)
19		80106205	2	TUBE .75 OD X .109 W (IN)
20		80106158	2	TUBE .75 OD X .109 W (IN)
21		80106159	2	TUBE .75 OD X .109 W (IN)
22		80106166	2	TUBE .75 OD X .109 W (IN)
23		80106167	2	TUBE .75 OD X .109 W (IN)
24		80106168	2	TUBE .75 OD X .109 W (IN)
25		80106169	2	TUBE .75 OD X .109 W (IN)
26		80106170	2	TUBE .75 OD X .109 W (IN)
27		80106171	2	TUBE .75 OD X .109 W (IN)
28		80106172	2	TUBE .75 OD X .109 W (IN)
29		80106173	2	TUBE .75 OD X .109 W (IN)
30		80106174	2	TUBE .75 OD X .109 W (IN)
31		80106175	2	TUBE .75 OD X .109 W (IN)
32		80106176	2	TUBE .75 OD X .109 W (IN)
33		80106177	2	TUBE .75 OD X .109 W (IN)
34		80106178	2	TUBE .75 OD X .109 W (IN)
57		80106861	1	TUBE 1.25 OD X .095 W (IN)
58		80106311	1	TUBE 1.25 OD X .095 W (IN)

Manitowoc Cranes

Description
WEIGHT-LMI A2B

Assembly No.
80075460
Revision:

Item	FN	Part	Qty	Description
1		9333102620	1	QUICK LINK,END SHACKLE 2-7/16"
2		90042061	2	PIN, QUICK PULL ZINC

Manitowoc Cranes

Description
INSERT ASSY #117 10FT

Assembly No.
80109727
Revision: C

Item	FN	Part	Qty	Description
1	+	0331202	1	10' JIB INSERT #124
2		80119261	4	PIN 2 HOLE 28.48 DIA X 63.0 LG
3		5636400	4	SAFETY PIN
4		7690144010	4	PIN, COTTER

+ SEE FURTHER BREAKDOWN THIS GROUP

Manitowoc Cranes

Alphabetical Index	Appendix A	
Description	Part	Page
BRACKET	810316432	263
	810334472	239
	90062460	33
	A020282	71
	A027690	107
BRACKET ACC VALVE	80118664	218
BRACKET ASSY	03240752	57
BRACKET ATB ADAPTER	80115867	475
BRACKET BEARING LUBE	80102503	111
BRACKET BOOM HOIST PAWL	810267143	183
BRACKET BOOM TOP CABLE MTG	80104879	355
BRACKET BOX JUNCTION MOUNT	80111084	257
BRACKET CABLE REEL	80117042	240, 351
BRACKET CAMERA ARM	84032602	497
BRACKET CAMERA MONITOR	80117806	227
BRACKET CAMERA MOUNT	84032606	497
BRACKET CAMERA SUPPORT	80104819	223
BRACKET CONDENSER	80109368	291
	80109369	291
	80109370	291
BRACKET CONSOLE DISPLAY	80111604	52
BRACKET COOLER	80107592	196
BRACKET CTWT RAISING DECAL	80107909	177
BRACKET DEF SUPPORT	80110751	271
BRACKET DEF TANK	80105211	271
BRACKET DOOR HINGE	80108368	157, 171
BRACKET DOOR LATCH	80112995	158, 171
BRACKET DUAL CAMERA MOUNT	80111396	253
BRACKET DUCT MOUNTING	80123373	82
BRACKET ENCODER	80102936	247
	80114904	247
BRACKET FOOT REST CAB	80108308	82
BRACKET GREASE FITTING	80107688	183
BRACKET GRILLE SUPPORT	80108941	169
BRACKET GUARD WIRE ROPE	80106161	137
BRACKET HINGE LEAF	80108369	157, 171
BRACKET HOSE	80107655	323
BRACKET HOSE CLAMP	80108514	287
	80111123	207
BRACKET HOSE SUPPORT	80107206	207
	80116788	208
BRACKET LIMIT SWITCH	80102582	239

From - BRACKET

To - BRACKET LIMIT SWITCH

Manitowoc Cranes

Alphabetical Index	Appendix A	
Description	Part	Page
EXTINGUISHER, FIRE	7348000667	39
EYE BOLT M12 X 1.75 24	81042403	355
EYE BOLT SHOULDER M10 X 17LG	81041877	469
F WASHER	7092030	249, 337
	80038198	12
	81016691	349
	810196970	49
	810291740	82
F WASHER 1/2 (IN) PLASTIC	80109037	158, 167
F WASHER ACETAL 19.1	80104575	121, 127
F WASHER FENDER	80114902	247
F WASHER SHIM	81040328	121, 127
	81040330	121, 127
F WASHER, #10 ST SAE	7095020	261
FAN/WP BELT	90045694	307
FASTENER M5 X 16 LG BLACK SS	80124551	51
FASTENER M6 X 16 LG BLACK SS	80108750	52, 57, 82
FASTENER M6 X 25 LG BLACK SS	80115288	43
FASTENER M6X25 PHIL PMS BLK	80128262	52
FASTENER M8 X 20 LG BLACK SS	80108751	82
FILTER	90062494	34
FILTER ASSY. AIR PRIMARY	90019453	307
FILTER HYD RETURN TO TANK	810244880	199
FILTER, AIR	810144630	307
FILTER, FUEL/WATER SEPARATOR	90026681	301, 303, 307
FILTER, HYDRAULIC	4272850	199, 303, 307
FILTER,OIL	9414101679	301, 303, 307
FITTING	4286090	205, 215
	4299360	111, 183
FITTING ADAPTER 90D -16ORFS/-1	81035704	208
FITTING ADAPTER SPECIAL	810027560	209
FITTING ADAPTER TEE	810272810	207, 218
	A169140	219
FITTING FLANGE ASSEMBLY	4317640	199
	A175650	200
FITTING FLANGE ASSEMBLY, BLANK	A195710	200
FITTING LUBE, NPT .25	4290100	111, 313, 323
FITTING M14 9974 X 1/2 NPTF	80109770	109
FITTING PLUG	810122950	207
FITTING PLUG -48C61	80116364	197
FITTING STRAIGHT M22X-6ORB	80121398	219
FITTING, 90 DEG ELBOW	4285750	111

From - EXTINGUISHER, FIRE

To - FITTING, 90 DEG ELBOW

Manitowoc Cranes

Alphabetical Index	Appendix A	
Description	Part	Page
LACING KIT	80105842 80105843	389, 397 413, 427, 437
LADDER 320X1616.7	80105109	171
LANYARD	9333102232	367, 451, 479
LATCH	81010163	158
LATCH ASSY.	90039115	23
LATCH BOLT STRIKER 3/8 INCH	80108728	157, 171
LATCH PADDLE 2 POINT	80108649	161, 163, 173
LATCH ROTARY LH	80108724	161, 163, 173
LATCH ROTARY RH	80108723	161, 163, 173
LATCH, RIGHT HAND ROTARY	80004406	17
LEVEL, CIRCULAR	7486000225	82
LIGHT 10-48V LED	81038554	253
LIGHT ASSEMBLY-LED FLOOD	80142662	11
LIGHT, RED WARNING	5080240	267
LIMIT SWITCH ARM ADJUSTABLE	81042145	239
LIMIT SWITCH LEVER	80146230	183
LIMIT SWITCH MOLDED 3P SUBASSY	80129368	239
LIMITER, STROKE	90024180	185
LINK	A105450	82
LINK 8.50' LG	A08001	471
LINK ASSY	A180274	355
LINK CROSS	84054368 84054377	137 137
LINK FEMALE, CTWT RAISING	80103086 84054342	175 175
LINK GANTRY CTWT	84054365 84054381	137 137
LINK INT SUSP	80107051	453
LINK JIB FRONTSTAY #117	80119161	455
LINK MACH #290	80112790	143
LINK MACH BACKSTAY	80109723	455
LINK TIE BACK	80103859	343
LINK, 13.5" LG	90011814	27
LINK, DRIVE ARM	90011813	27
LOAD CELL LINK 10,500 KGS	80103565	137
LOAD CENTER 12 SPACES	810041210	249
LOCKING WASHER	03044941	73
LOUVER	90062508	34
LOUVER AIR 2.5 INCH	80114041	82
LOUVER ROUND	90062472	33

From - LACING KIT

To - LOUVER ROUND

Manitowoc Cranes

Alphabetical Index	Appendix A	
Description	Part	Page
SCR SKT HD M24-3 X 130 12.9 PL	7128292954	327
SCREW	90062465	33, 34
SCREW, #8 PAN HEAD	90038879	21
SCREW, CAP M16X60 HEX HEAD	7126241950	323
SCREW, HEX CAP	6124540	239, 351
SCREW, HEX CAP FULL THREAD	7127241653	271
SCREW, MACHINE M3X20 - 4.8	7121091101	85
SCREW, PAN MACH PHILLIPS	A030750	107
SCREW, PAN MACH SOCKET	6205750	235
SCREW, SOCKET BUTTON CAP	810063210	43
SCREW, TC FLAT PHILLIPS TYPE A	A109960	235
SCREW, THUMB	7099001159	63
SEAL 140.0 X 165.0 X 13.0	84032133	323
SEAL ASSY	7860000214	11
SEAL LIP 6.11 ID X 7.19 OD	80121082	355, 445, 471
SEAL, CABLE	6228720	73
SEAL, MODIFIED	80004992	11
SEALANT, ADHESIVE	6829015131	11, 17
SEAL-BRUSH TOP	80038105	11
SEALER, ADHESIVE BACKED	1006766	17
SEAT ASSY CAB	80123266	5
SEAT HEADREST CAB 1NO/1NC SW	80122605	73
SEAT RISER-6-WAY POWER	80136911	73
SEAT SWITCH	80138963	75
SENDER FUEL LEVEL 28 IN SQ	80118030	285
SENSOR	810268620	207, 218
SENSOR ANGLE DUAL AXIS +/- 30	84055185	261
SENSOR ANGLE MEMS 200 DEGREES	810291390	239, 351
SENSOR FLOAT	80101316	199
SENSOR PRESSURE DIFFERENTIAL	810338510	240
SENSOR WIND SPEED	810209900	263
SENSOR, HYDRAULIC FLUID TEMPER	A119270	199
SERVO 24V	90062488	34
SFHCS M10x60 8.8 ISO 10642	7126191955	129
SHACKLE	6246330	143, 481
SHAFT	A020242	71
	A020252	71
SHAFT 129.98 DIA X 145 LG	80107092	337, 459
SHAFT 130 DIA X 727.0 LG	80105212	355
SHAFT 141.0 DIA X 302.2 LG	80107129	445

From - SCR SKT HD M24-3 X 130 12.9 PL

To - SHAFT 141.0 DIA X 302.2 LG

Manitowoc Cranes

Alphabetical Index	Appendix A	
Description	Part	Page
WELDMENT, FLOOR MOUNT PLATE	80105909	43
WELDMENT, FUSE PLATE	80106489	85
WELDMENT, PLATE, MOD MTG	80107435	85
WINDOW ASSY. RH SIDE	80071856	11
WINDOW RUBBER (KNOCK-OUT) 19FT	6637043019	11
WINDOW, SLIDING ROOF	80101496	11
WINDOW, FRONT BOTTOM	80101410	11
WINDOW, REAR	80113645	11
WINDOW, RIGHT SIDE LOWER	80103435	11
WINDOW, WINDSHIELD	80101409	11
WINDSHIELD WASHER ASSY	80108575	3
WIPER ARM, 24"	90048386	11
WIPER MOTOR, 24V	90048383	11
WIPER WINDSHIELD FLUID	A032300	89
WIRE	810070010	263
	8705400093	471
WIRE 3/64 7X7 SS VC-1/16 CLEAR	81007001	497
WIRE, 16 GAUGE WHITE	8977010300	115
WIRING HARNESS	80118739	475
WIRING HARNESS TANK HEAT 120V	80135871	257
WIRING HARNESS WBT1	80118741	363
WIRING HARNESS WBU1	80118740	447
WIRING HARNESS WCB1	80122953	85
WIRING HARNESS WCE1	80107552	233
	80123464	87
WIRING HARNESS WCL1	80120726	57
WIRING HARNESS WCO1	80106705	49
WIRING HARNESS WCR1	80120623	52
WIRING HARNESS WRF4	80108026	261
WIRING HARNESS WRL1	80114093	233
WIRING HARNESS WRL3	84055190	233
WIRING HARNESS WRL5 CAMERA PWR	80114958	253
WIRING HARNESS WRR1	84055183	233
WIRING HARNESS WZT2	80118429	467
WORK LIGHT HA - JUMPER	80124600	13
WRENCH HEX KEY .25	80137446	143
ZENER DIODE 5.1V 1.3W	80113328	235

From - WELDMENT, FLOOR MOUNT PLATE

To - ZENER DIODE 5.1V 1.3W

Manitowoc Cranes

Numeric Index		Appendix B
Part	Description	Page
7126171953	HHCS M8X60 SS ISO 4017	215
7126171954	SHCS M8x60 -8.8 ISO 4762	363, 475
7126172453	CAP SCREW, M8 X 85MM HEX HEAD	215
7126172953	HHCS M8x130 SS ISO 4017	215
7126191053	HHCS 10 X 16 8.8	253, 275
7126191153	HHCS M10X20 8.8	195, 239
7126191250	HHCS M10X25 8.8 FLZN ISO 4014	183
7126191253	HHCS	41, 63, 169, 171, 199, 295, 331, 475
7126191254	SHCS M10x25 -8.8 ISO 4762	323
7126191353	HHCS	117, 121, 153, 157, 167, 171, 199, 271, 291
7126191453	HHCS M10X35 8.8 FLZN 4017	153, 157, 167, 275, 455
7126191518	SBCS M10X40 ISO 7380	157
7126191553	HHCS	169, 179, 195, 279
7126191653	HHCS M10X45 8.8 FLZN ISO 4017	11
7126191750	HHCS M10x50 -8.8 ISO 4014	337
7126191850	HHCS M10x55 -8.8 ISO 4014	323
7126191853	HHCS M10X55	138
7126191955	SFHCS M10x60 8.8 ISO 10642	129
7126192153	HHCS M10x70 -8.8 ISO 4017	205
7126192353	HHCS M10x80 -8.8 ISO 4017	127, 205
7126211053	HHCS M12x16 -8.8 ISO 4017	239, 249
7126211153	HHCS	157, 215
7126211253	HHCS M12X25 8.8 FLZN ISO 4017	208, 240, 323, 351
7126211353	HHCS	123, 125, 131, 137, 171, 471
7126211453	HHCS	157, 205
7126211553	HHCS M12X40 8.8 FLZN ISO 4017	183, 271, 273, 281, 319
7126211653	HHCS M12x45 -8.8 ISO 4017	138
7126212453	HHCS M12X80 8.8 FLZN 4017	205
7126212650	CAP SCREW, M12X100 HEX HEAD	195
7126212653	HHCS M12x100 -8.8 ISO 4017	205
7126212853	HHCS FULL THREAD	240, 351
7126212950	HHCS 12 X 130 8.8	195
7126213450	HHCS M12x180 8.8 FLZN ISO 4014	323
7126241250	HHCS	337
7126241253	HHCS M16x25 -8.8 ISO 4017	323
7126241353	HHCS M16x30 -8.8 ISO 4017	337, 459
7126241453	HHCS M16x35 -8.8 ISO 4017	137

From - 7126171953

To - 7126241453

Manitowoc Cranes

Numeric Index		Appendix B
Part	Description	Page
7951150210	LOCKWASHER, 6MM I.D.	11, 41, 47, 67, 69, 85, 89
7951150220	L WASHER	51, 239, 261
7951150587	SER L WASHER 6 A2 DIN 6797A	233
7951170010	F WASHER	111
7951170014	F WASHER	17, 31, 41, 73, 81, 85, 177, 183, 207, 218, 239, 271, 287, 291, 355, 497
7951170054	FLAT WASHER 8 100HV FLZN	47, 73, 157, 171, 208, 363
7951170210	L WASHER	17, 31, 39, 41, 47, 63, 73, 81, 85, 261, 363, 475
7951170220	WASHER, 8MM SPRING LOCK	239
7951190014	F WASHER 10	11, 41, 111, 117, 121, 123, 125, 129, 131, 133, 138, 157, 169, 171, 179, 196, 239, 253, 271, 275, 279, 295, 320, 324, 455, 475
7951190015	F WASHER	183
7951190054	FLAT WASHER 10 100HV FLZ	119, 153, 157, 167, 169, 275, 291, 295, 337, 375, 377, 393, 399, 407, 419, 421, 431, 433, 441, 443
7951190210	LOCK WASHER, 10MM	11, 41, 253, 469
7951190220	L WASHER	179, 233, 239
7951190580	SER WASHER 10 -HRC44-51 DIN 67	63
7951210014	F WASHER 12 -ST ISO 7089	123, 125, 131, 138, 157, 171, 183, 196, 207, 239, 249, 271, 273, 281, 319, 351, 355, 445, 471
7951210015	F WASHER	343
7951210016	F WASHER	345
7951210054	FLAT WASHER 12 100HV FLZN	127, 208, 323
7951210056	F WASHER 12 A2 ISO7094	345
7951210095	FLAT WASHER, 12	109, 207, 218
7951210220	L WASHER 12 -HRC44-51 DIN 127	183, 239, 249, 351, 445
7951210615	F WASHER	196
7951220210	WASHER, LOCK	208
7951240014	FLATWASHER 16MM I.D.	138, 263, 355, 369, 459
7951240015	F WASHER	337, 465
7951240054	F WASHER 16 100HV FLZN ISO7094	471
7951240095	F WASHER	109, 271, 283, 323

From - 7951150210

To - 7951240095

Manitowoc Cranes

Numeric Index		Appendix B
Part	Description	Page
80107250	RETAINING RING EXT 90MM SHAFT	347
80107352	DECAL BOOM SIGN	99
80107354	80101590 Top Lacing Kit	359
80107362	HYD MOTOR 80 CC FIXED	181
80107363	STRUT ASSY #117	455
80107367	SPACER 145.5X131.5X108.7	355
80107435	WELDMENT, PLATE, MOD MTG	85
80107436	CLAMP 133MM DIA X 8 THK	369
80107445	PIN 2 HOLE 60.00 DIA X 155 LG	313
80107447	SLING 3L X 40.4MT X 1.37M	143
80107484	FRAME ENCLOSURE LIFT	171
80107488	PHIL TMS 6-32UNC X 0.75 GR 1	82
80107489	PIN 2 HOLE 59.0 DIA X 741.8 LG	445
80107492	PIN 2 HOLE 59.0 DIA X 589.4 LG	445
80107494	SPACER 141.0 X 127.1 ID	445
80107512	PLATE PLATFORM	121
80107513	PLATE PLATFORM	121
80107517	BRACKET LOAD CENTER	249
80107521	FRAME COOLER ENCLOSURE	169
80107552	WIRING HARNESS WCE1	233
80107555	PANEL LADDER	171
80107592	BRACKET COOLER	196
80107601	SWITCH ASSY SETUP REMOTE	233
80107603	PLATE SETUP REMOTE	235
80107611	GRIP CHORD 90 1.00 NPT 0.88	249
80107636	FOAM ACOUSTIC RH FRONT	82
80107645	HOSE ASSY -20 X 3430 LG	319
80107647	HOSE ASSY -16 X 3630 LG	319
80107648	HOSE ASSY -6 X 3975 LG	319
80107649	HOSE ASSY -6 3370 LG	320
80107650	HOSE ASSY -6 X 3630 LG	320
80107651	HOSE ASSY -6 X 3730 LG	320
80107655	BRACKET HOSE	323
80107656	HOSE ASSY -16 X 3515 LG	320
80107688	BRACKET GREASE FITTING	183
80107689	SHAFT 45.0 DIA X 117.0 LG	183
80107810	ESI UPPER POINT	445
80107811	HINGE SURFACE MOUNT 75X100	157
80107868	PANEL RECPTACLE FLOOR MOUNT	63

From - 80107250

To - 80107868

Manitowoc Cranes

Numeric Index		Appendix B
Part	Description	Page
80130281	ARM DISPLAY MOUNT	51
80130282	PRINTED PANEL CONSOLE RH DISPL	51
80131180	KIT BOOM CATWALK	349
80131431	DECAL CRAWLER CYLINDER EXTEND	229
80131432	DECAL CRAWLER CYLINDER RETRACT	229
80132013	ESI CAB EXTERIOR WIRING	5
80132062	KIT, OIL SAMPLE-SINGLE	143
80132063	KIT, OIL SAMPLE-10PK	143
80132391	COUNTERWEIGHT UPPER ADAPTER	175
80135377	BAR	73
80135868	HEATER BATTERY WRAP 160W 120V	257
80135869	HEATER HYDRAULIC TANK 120VAC	257
80135870	HEATER TOP MOUNT 120V/2KW	257
80135871	WIRING HARNESS TANK HEAT 120V	257
80135874	HEATER COOLANT 120VAC/750W	257
80135875	HEATER OIL PAN 120V/300W	257
80135877	BREAKER CIRCUIT QO 1P 50A 120V	249
80136137	PLATE FILLER QOFP	249, 257
80136144	DECAL LOAD CENTER CB 120V	249
80136911	SEAT RISER-6-WAY POWER	73
80137318	BUMPER 1.25X.25 NEOPRENE	158, 167
80137446	WRENCH HEX KEY .25	143
80138963	SEAT SWITCH	75
80139242	JUNCTION BOX OFFSHORE POWER	249
80139245	COVER 50A	249
80139826	DECAL STOP PROGRESS	345
80140208	RECEPTACLE 2P3W 50A 125 VAC	249
80140209	PLUG ELECTRICAL 2P3W 50A 125V	249
80140715	SWITCH VACUUM HYDRAULIC	197
80140921	HSSS M12 X 12	200
80141321	HANDRAIL RIGHT	158
80141322	HANDRAIL REAR	158
80141323	HANDRAIL SINGLE	158
80141324	HANDRAIL END RAIL LEFT	167
80141325	HANDRAIL LEFT	167
80142272	DECAL DRUM IDENTIFICATION	105
80142662	LIGHT ASSEMBLY-LED FLOOD	11
80143387	FOAM STRIP 12.7X9.5	82
80144351	CNTRL PANEL-HEAT/AC 12/24V	49

From - 80130281

To - 80144351

Manitowoc Cranes

Numeric Index		Appendix B
Part	Description	Page
90042779	RIVET, 3/16"	33
90044872	SWITCH ASSY. W/CONNECTOR	365, 449, 477
90045694	FAN/WP BELT	307
90045935	SUCTION FILTER	307
90048383	WIPER MOTOR, 24V	11
90048384	PIVOT SHAFT, 51MM	11
90048385	FLEX BLADE, 34"	11
90048386	WIPER ARM, 24"	11
90048387	ADAPTER, PANTOGRAPH	11
90049239	FUEL FILTER	301, 303, 307
90062449	FRAME, OUTER	33
90062450	FRAME, INNER	33
90062451	DRAIN PAN ASSY	33
90062452	COVER, TOP AIR BOX	33
90062453	COIL, HEATER	33
90062454	COIL, EVAP	33
90062455	CAP, END	33
90062458	VALVE, EXPANSION BLOCK	33
90062459	THERMOSTAT, DUAL	33
90062460	BRACKET	33
90062461	BLOWER,DUAL, 24V	33
90062462	CAP,OUTER AIR BOX	33
90062463	COVER,SIDE AIR BOX	33
90062464	GROMMET	33
90062465	SCREW	33, 34
90062466	INSULATION	33
90062467	NUT	33
90062468	BOLT	33
90062469	KIT, INSULATION	33
90062470	PLATE, MAIN COVER	33
90062471	HANDLE	33
90062472	LOUVER ROUND	33
90062473	PANEL	33
90062474	NUT	33
90062476	LABEL, WARNING	33
90062477	MTG BRACKET,SIDE	33
90062478	MTG BRACKET	33
90062479	VALVE ASSY, 24V	33
90062480	HOSE, HEATER	33

From - 90042779

To - 90062480

CLICK HERE TO **DOWNLOAD** THE COMPLETE MANUAL

- Thank you very much for reading the preview of the manual.
- You can download the complete manual from: www.heydownloads.com by clicking the link below



- Please note: If there is no response to CLICKING the link, please download this PDF first and then click on it.

CLICK HERE TO **DOWNLOAD** THE COMPLETE MANUAL