

Manitowoc Cranes MACHINE COMPONENT INDEX

Date: June 08, 2023

Rev: 001

<u>Model Number</u> MLC150-1		<u>Serial Number</u> 91501030	
Item	Part	Description	Page
1	80133863	ROTATING STRUCTURE CAB INSTL FIXED CAB	3
	80123265	CAB ASSY 24V CCS	5
	80103175	CAB ASSY 24V CCS PURCHASED	7
	80113644	CAB - SUB ASSY 24V CRAWLER	11
	80103172	GLASS DOOR ASSEMBLY	17
	80071856	WINDOW ASSY. RH SIDE	21
	90039109	GLASS ASSY. SLIDING	23
	90039110	GLASS ASSY. FIXED	25
	80142662	LIGHT ASSEMBLY-LED FLOOD	
	80004449	KIT - FRONT WIPER (24 VOLT) (COMPLETE ASSEMBLY)	27
	80124600	WORK LIGHT HA - JUMPER	29
	80144966	HEATER & AC INSTALL-SS CAB 24V	31
	80144376	KIT - 24V HEATER/COOL	33
	80104074	CAB ACOUSTICS INSTALLATION	37
	80104075	MISC CAB COMPONENTS INSTALL	39
	80104188	INSTL, CAB BRACKETS	41
	80104189	INSTL, CAB PEDAL GROUP	43
	80079452	PLUG INSTALLATION	45
	80123879	CONSOLE CONTROL ASSY CAB	47
	80102334	CONSOLE OVERHEAD ASSY	49
	80144351	CNTRL PANEL-HEAT/AC 12/24V	
	80123880	CONSOLE RIGHT HAND ASSY	51
	84054782	DISPLAY CCS COLOR	55
	80123881	CONSOLE LEFT HAND ASSY	57
	A024680	CONTROLLER, JOYSTICK	59
	80102338	CONSOLE REAR ASSY	63
	80107986	PANEL ASSY ELEC REAR CAB UPPER	65
	80107988	PANEL ASSY ELEC REAR CAB LOWER	67
	80107991	PANEL ASSY ELEC REAR CAB INNER	69
	A02019	FOOT PEDAL ASSY THROTTLE CONTR	71
	80123266	SEAT ASSY CAB	73
	80136911	SEAT RISER-6-WAY POWER	75

CLICK HERE TO **DOWNLOAD** THE COMPLETE MANUAL

- Thank you very much for reading the preview of the manual.
- You can download the complete manual from: www.heydownloads.com by clicking the link below



- Please note: If there is no response to CLICKING the link, please download this PDF first and then click on it.

CLICK HERE TO **DOWNLOAD** THE COMPLETE MANUAL

Manitowoc Cranes

Description
CAB INSTL FIXED CAB

Assembly No.
80133863
 Revision: **B**

Item	FN	Part	Qty	Description
1		5483450	4	NUT, HEX LOCK
2		7126191218	3	SBCS M10x25 SS ISO 7380
3		7126191353	3	HHCS
4		7126211253	4	HHCS M12X25 8.8 FLZN ISO 4017
5		7126211653	8	HHCS M12x45 -8.8 ISO 4017
6	#	7638000203	4	MOUNT, SHOCK
7		7661190803	3	HEX LOCK NUT M10 -8 ISO 7040
8		7661210804	8	HEX LOCK NUT
9		7949000148	8	WASHER, 5/8" I.D. FLAT
10		7951190014	9	F WASHER 10
11		7951210014	4	F WASHER 12 -ST ISO 7089
12		7951210054	16	FLAT WASHER 12 100HV FLZN
14	+	80123265	1	CAB ASSY 24V CCS
15	+	80123607	1	WINDOW WASHER ASSY
16		80134506	1	BRACKET FIXED CAB FRONT
17		80132544	1	PANEL ENCL
18		80132545	3	BRACKET ENCL PANEL
19		80126976	1	PLATE COVER

SERVICED AS AN ASSEMBLY ONLY

+ SEE FURTHER BREAKDOWN THIS GROUP

Manitowoc Cranes

Description

CAB - SUB ASSY 24V CRAWLER

Assembly No.

80113644

Revision: **G**

Item	FN	Part	Qty	Description
74	+	80124600	2	WORK LIGHT HA - JUMPER
75		80099881	2	90 DEG BLK STR
76		80104186	1	MAT, FLOOR
77		80118984	2	BRACKET

+ SEE FURTHER BREAKDOWN THIS GROUP

Manitowoc Cranes

Description
GLASS ASSY. SLIDING

Assembly No.
90039109
Revision:

Item	FN	Part	Qty	Description
1		90038877	1	GASKET, WEATHERFIN SEAL
2		NSS	1	NOT SERVICED SEPARATELY MOLDING, RUBBER
4		NSS	1	NOT SERVICED SEPARATELY GLASS, SLIDING
5		90039115	1	LATCH ASSY.

Manitowoc Cranes

Description

KIT - 24V HEATER/COOL

Assembly No.

80144376

Revision:

Item	FN	Part	Qty	Description
1		90062449	1	FRAME, OUTER
2		90062450	1	FRAME, INNER
3		90062451	1	DRAIN PAN ASSY
4		90062452	1	COVER, TOP AIR BOX
5		90062453	1	COIL, HEATER
6		90062454	1	COIL, EVAP
7		90062455	1	CAP, END
8		90062458	1	VALVE, EXPANSION BLOCK
9		90062459	1	THERMOSTAT, DUAL
10		90062460	1	BRACKET
11		90062461	1	BLOWER, DUAL, 24V
12		90062462	1	CAP, OUTER AIR BOX
13		90042779	8	RIVET, 3/16"
14		90062463	1	COVER, SIDE AIR BOX
15		90062464	1	GROMMET
16		90062465	21	SCREW
17		90062466	1	INSULATION
18		90062467	2	NUT
19		90062468	2	BOLT
20		90062469	1	KIT, INSULATION
21		90062470	1	PLATE, MAIN COVER
22		90062471	1	HANDLE
23		90062472	1	LOUVER ROUND
24		90062473	1	PANEL
25		90021058	2	CAPSCREW
26		90062474	2	NUT
27		90062476	1	LABEL, WARNING
28		90062477	1	MTG BRACKET, SIDE
29		90062478	1	MTG BRACKET
30		90062479	1	VALVE ASSY, 24V
31		90021054	4	NUT, LOCK #10 S.S.
32		90062480	1	HOSE, HEATER
33		90062481	1	TEE
34		90062482	6	CLAMP
35		90062483	1	HOSE, HEATER
36		90062484	1	PLENUM ASSY
37		90062485	1	FRAME, OUTER BOX
38		90062486	1	PLATE
39		90062487	1	GRATE

Manitowoc Cranes

Description

INSTL, CAB PEDAL GROUP

Assembly No.

80104189

Revision: **C**

Item	FN	Part	Qty	Description
1		80115288	8	FASTENER M6 X 25 LG BLACK SS
2		810063210	6	SCREW, SOCKET BUTTON CAP
3		7661150003	2	NUT, HEX
4		7951150014	2	F WASHER
8		80105909	1	WELDMENT, FLOOR MOUNT PLATE
9		80104280	2	PLATE- PEDAL PLATE COVER

Manitowoc Cranes

Notes

Manitowoc Cranes

Description CONSOLE REAR ASSY				Assembly No. 80102338 Revision: C
Item	FN	Part	Qty	Description
1		80107868	1	PANEL RECPTACLE FLOOR MOUNT
2	+	80107986	1	PANEL ASSY ELEC REAR CAB UPPER
3	+	80107988	1	PANEL ASSY ELEC REAR CAB LOWER
4	+	80107991	1	PANEL ASSY ELEC REAR CAB INNER
5		810247150	1	RELAY 24V 10A
6		7099001159	4	SCREW, THUMB
7		7115140550	16	HHCS 1/4-20UNCX0.63 G5
8		7126151153	4	HHCS M6X20 SS ISO 4017
9		7126171153	4	HHCS M8X20 8.8 ISO 4017
10		7126191253	4	HHCS
11		7519000198	4	NYLON LIFT OFF HINGE, LH
12		7659000287	4	RETAINING NUT 5/16-18UNC
13		7661130003	1	HEX NUT M5 8 ISO 4032
14		7950140050	16	WASHER, LOCK 1/4"
15		7951170210	4	L WASHER
16		7951190580	4	SER WASHER 10 -HRC44-51 DIN 67
17		A039400	1	PLUG HOLE 0.625 DIA HOLE
18		A118130	1	POWER SUPPLY
19		A183310	4	HEX KEPS LNUT
20		A183320	4	WASHER, LOCK COUNTERSUNK
21		A196490	1	WASHER FLAT
22		A200200	1	SLOT PMS
23		3503330	4	CLOSURE PLUG DOME
24		A019730	2	CONNECTOR, BULKHEAD

+ SEE FURTHER BREAKDOWN THIS GROUP

Manitowoc Cranes

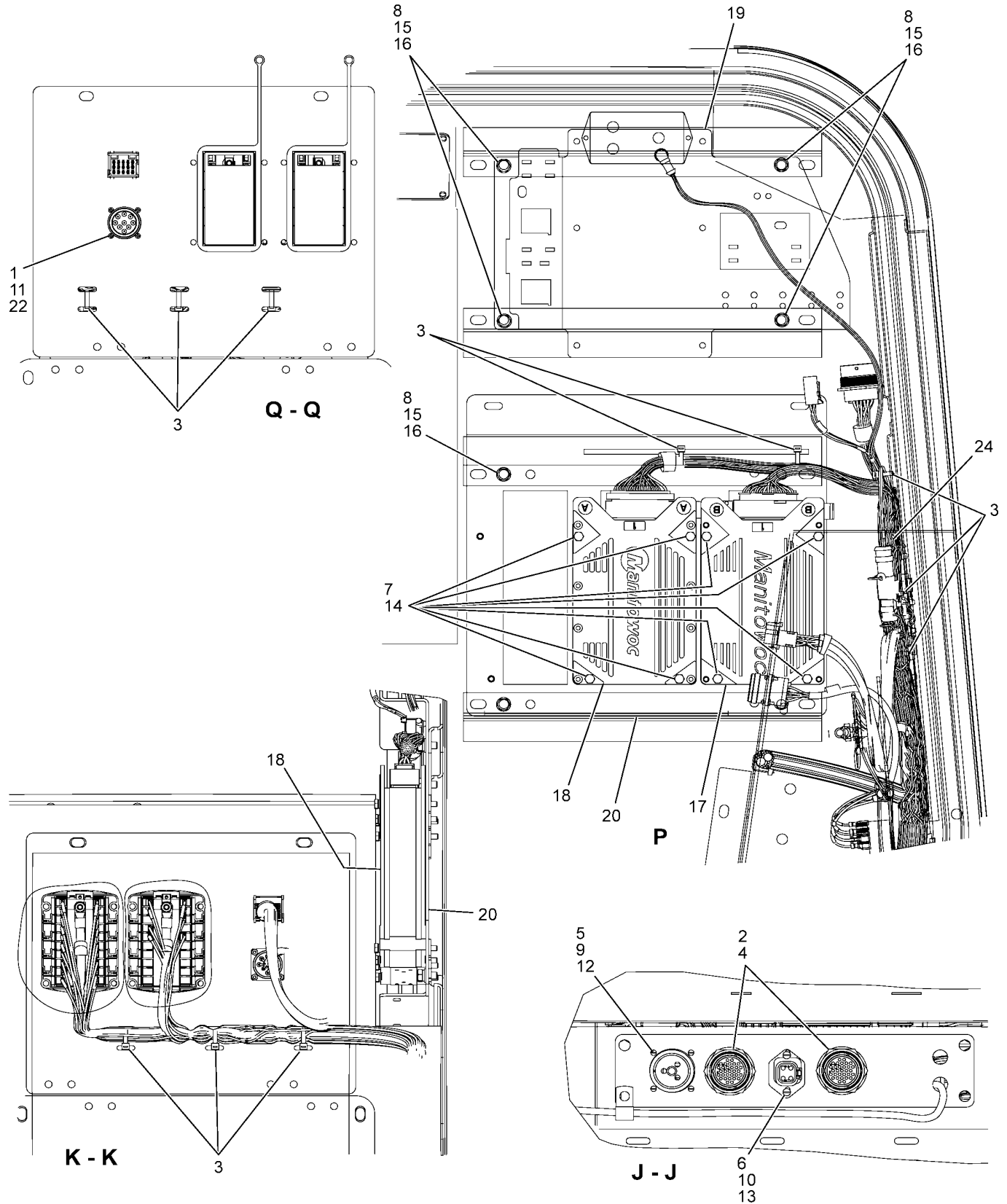
Description
SEAT ASSY CAB

Assembly No.
80123266
Revision: C

Item	FN	Part	Qty	Description
1		80122605	1	SEAT HEADREST CAB 1NO/1NC SW
2		80116362	1	BRACKET SEAT PLATE
3	+	80136911	1	SEAT RISER-6-WAY POWER
4		03193874	1	BEARING PIN
5		7661170003	4	NUT
6		03044941	1	LOCKING WASHER
7		7951170014	10	F WASHER
8		80064695	1	SWIVEL ARM
9		03193875	2	SLIDING BEARING
10		00028194	1	RETAINING RING
11		03143248	1	PIN
12		7312000095	1	HAIRPIN (FOR 5/16-1/2 PIN)
13		03194045	1	FLASH POINT
14		03194042	1	GAS SPRING
15		80104025	1	BRACKET SEAT ADAPTER PLATE
16		7126171153	4	HHCS M8X20 8.8 ISO 4017
17		7103030	4	WASHER, LOCK
18		5460530	4	NUT, HEX
19		7951170210	12	L WASHER
20		84054803	1	MOD WIRING HARNESS
				INCLUDES THE FOLLOWING PARTS
		3642210	1	CONNECTOR, 2 POLE SHROUD
		6228720	2	SEAL, CABLE
		6805450	2	TERMINAL, PIN CONTACT
21		7126171253	4	HHCS M8X25 8.8 ISO 4017
22		7126171053	4	HHCS M8X16 SS ISO 4017
23		80107139	1	STOP SEAT RISER
24		7103020	2	WASHER, LOCK
25		6123540	2	HHCS
26		7951170054	8	FLAT WASHER 8 100HV FLZN
27		3490060	1	CLIP
28		A040120	1	RETAINER
29		80135377	1	BAR

+ SEE FURTHER BREAKDOWN THIS GROUP

Manitowoc Cranes



Manitowoc Cranes

Description
DECAL KIT STANDARD MLC150-1 EN

Assembly No.
80127270
Revision: A

Item	FN	Part	Qty	Description
901	+	80127264	1	DECAL KIT CAB
902	+	80127265	1	DECAL KIT LOWERWORKS
903	+	80127266	1	DECAL KIT UPPERWORKS
904	+	80127267	1	DECAL KIT BASIC BOOM
905		80102744	1	PLATE CRANE ID MFG IN SG

+ SEE FURTHER BREAKDOWN THIS GROUP

Manitowoc Cranes

Description
DECAL KIT BASIC BOOM

Assembly No.
80127267
Revision: **A**

Item	FN	Part	Qty	Description
28		80126971	1	DECAL SHPNG BOM TOP
31		80107352	2	DECAL BOOM SIGN
34		81007341	4	DECAL-LIFT POINT
45		147852	2	DECAL-DANGER-BOOM HAZARD
46		80118322	2	DECAL WARNING CRUSH HAZARD

Manitowoc Cranes

Description
PARTS BOX ASSY

Assembly No.
80124069
Revision: F

Item	FN	Part	Qty	Description
1		0735622	100	SHIM
2		3341010	6	CHAIN
3	+	3856530	1	JACK CYLINDER
4		6246330	2	SHACKLE
5	+	6462460	1	SOCKET/WEDGE, 1" (26 MM)
6	+	80075460	1	WEIGHT-LMI A2B
7		80114643	1	HOSE ASSY CRAWLER TENSION
8		80124112	1	SLING 3 LEG 26.6 MT 2.13 M
9		81007147	1	PARTS BOX 48 INCH
10	+	810249430	1	VALVE ASSY QUICK DRAIN
11		9999101803	1	SPRAY CORROSION PREVENTATIVE
12	+	A041430	1	PUMP HYD HAND
13		A11041	1	SOCKET BUTTON 22-26MM
14		84044204	2	WRENCH STRAP
15		80129493	1	SOCKET BUTTON 22-26 MM
		A11041	1	INCLUDES THE FOLLOWING PARTS
			1	SOCKET BUTTON 22-26MM
16		80132063	1	KIT, OIL SAMPLE-10PK
		80132062	10	INCLUDES THE FOLLOWING PARTS
			10	KIT, OIL SAMPLE-SINGLE
17		80137446	1	WRENCH HEX KEY .25
18		80137447	1	LUBRICANT DRY MOLY

+ SEE FURTHER BREAKDOWN THIS GROUP

Manitowoc Cranes

Description
PUMP HYD HAND

Assembly No.
A041430
Revision: **FA**

Item	FN	Part	Qty	Description
1		A041435	1	KIT, PACKING

Manitowoc Cranes

Description
COUNTERWEIGHT ASSY ROT BED

Assembly No.
80117303
Revision: C

Item	FN	Part	Qty	Description
1		80117304	1	COUNTERWEIGHT TRAY MACHINING
2		80117306	6	COUNTERWEIGHT UPPER BOX
3		5621510	8	PIN, COTTER
4		5638710	24	PIN, SAFETY
5		80119145	4	PENDANT 2295.0 MM DISCARD PINS SUPPLIED WITH PENDANTS AND REPLACE WITH PN 80120006 (ITEM 11)
6		80119146	2	LINK FEMALE, CTWT RAISING
7		80120004	8	PIN WITH HEAD 50.8 X 90.5 LG
8		80120009	12	PIN 2 HOLE 38.1 DIA X 174.0 LG
9		810282382	4	PIN SAFETY
10		80124653	2	LINK FEMALE, CTWT RAISING
11		80120006	4	PIN WITH HEAD 50.8 X 115.5 LG

Manitowoc Cranes

Description
HARNESS ASSY-RADIO

Assembly No.
80108386
 Revision: **A**

Item	FN	Part	Qty	Description
1		80108393	1	RECEPTACLE, 16 PASS, RADIO
2		7345001449	2	TERMINAL, FEMALE 22 - 18 AWG
3		7364002417	2	RECEPTACLE, 22 - 18 AWG
4		7892000835	1	RECEPTACLE, 4 PIN
201		80108560	8	TERMINAL, FEM, 2.8MM, RADIO
202		7689001782	4	PIN, 18 - 16 GAGE
301		8977010300	13	WIRE, 16 GAUGE WHITE

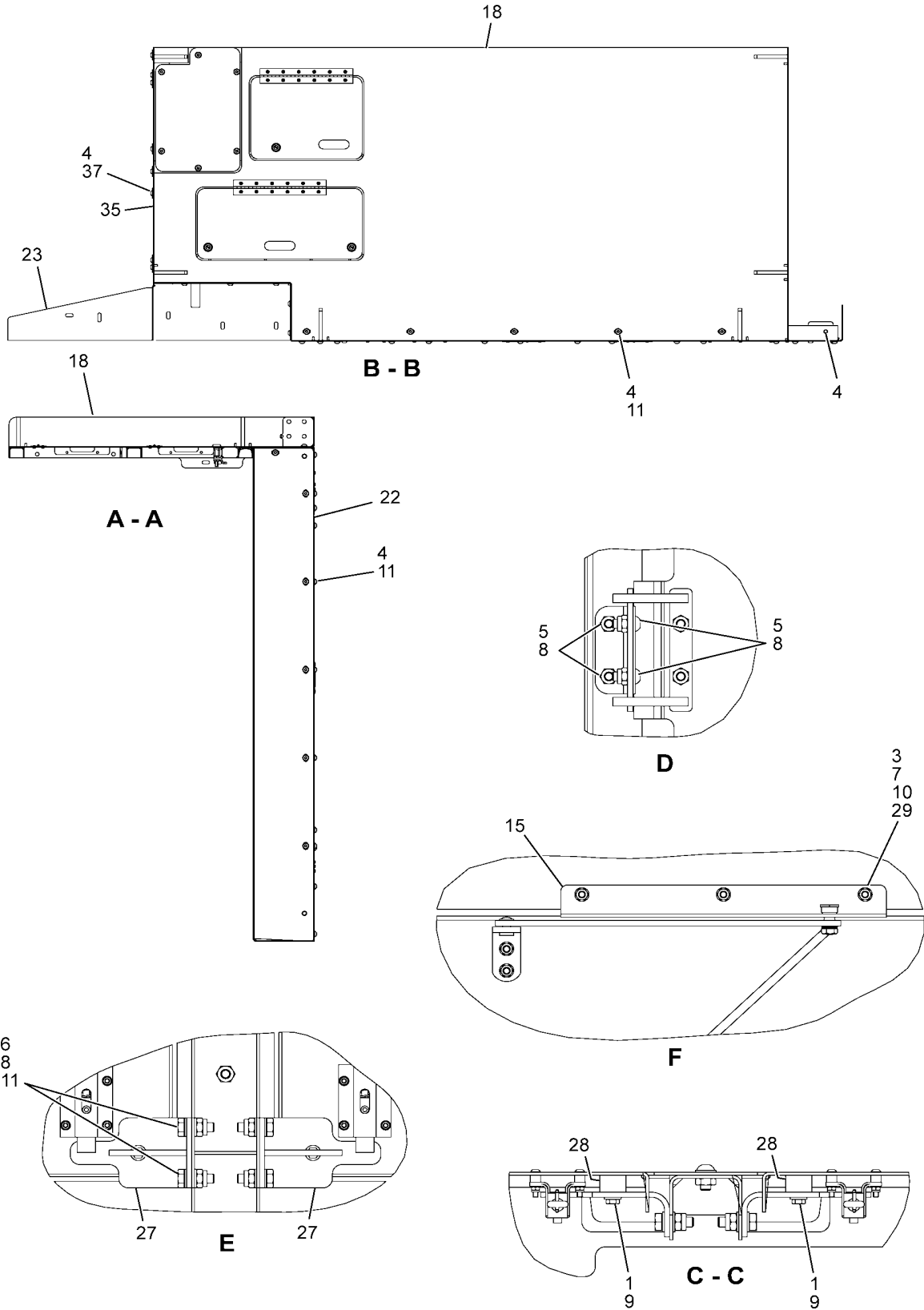
Manitowoc Cranes

Description
DOOR ASSY ENCL

Assembly No.
80128164
 Revision: **A**

Item	FN	Part	Qty	Description
1		7123131218	8	SBCS M5 X 20 SS
2		7126191218	4	SBCS M10x25 SS ISO 7380
3		7661130803	8	LOCKNUT
4		7661190803	4	HEX LOCK NUT M10 -8 ISO 7040
5		7951130014	8	F WASHER 5 ST ISO 7089
6		80128165	1	DOOR ENCLOSURE WELD
7		80122686	8	SPACER 5.3X10X7
8		80122687	2	BRACKET DOOR HINGE
9		80123177	1	LATCH ASSY
		80108649	1	INCLUDES THE FOLLOWING PARTS LATCH PADDLE 2 POINT
10		81009608	4	RIVET 6.4 DIA X 12.7 LG POP

Manitowoc Cranes



Manitowoc Cranes

Description
W/O LUFFING JIB PREP

Assembly No.
80138488
Revision: A

Item	FN	Part	Qty	Description
18		7126271253	4	HHCS M20x25 8.8 ISO 4017
19		7951270095	4	FLAT WASHER REF DWG 80117474

Manitowoc Cranes

<u>Description</u> PAWL ASSY BOOM HOIST				Assembly No. 80121244 Revision: F
Item	FN	Part	Qty	Description
1		428576	2	ELBOW 90 DEG. .25 NPT
2		4299360	1	FITTING
3		5620420	1	PIN COTTER
4		5620440	4	PIN, COTTER
6		7126191250	2	HHCS M10X25 8.8 FLZN ISO 4014
7		7126211553	4	HHCS M12X40 8.8 FLZN ISO 4017
8		7127151053	2	HHCS FULL THREAD
9		7440010200	1	FITTING GREASE 0.25 NPT 45 DEG
11		7661170003	2	NUT
13		7951150014	2	F WASHER
14		7951190015	2	F WASHER
15		7951210014	4	F WASHER 12 -ST ISO 7089
16		7951210220	4	L WASHER 12 -HRC44-51 DIN 127
17		80113377	1	PAWL BOOM HOIST
20	+	81019943	1	CYLINDER HYDR
21		81021008	2	PIN 2 HOLE
22		810217572	1	SHAFT
23		810223760	1	TUBE ROUND
25		810259862	6	SHIM
26		810267143	1	BRACKET BOOM HOIST PAWL
27		810267163	1	CAM
28		810267172	1	SPRING 16 ODX2.6 WIREX125.0 L
29		810267182	1	BOLT EYE M8-1.25 X 50.0 X 3.0
30		810267192	1	SPACER TUBE 35.0 OD X 20.0 ID
31		810267202	1	SPACER TUBE 35.0 OD X 20.0 ID
32		810267212	1	BUSHING 55.0 OD X 20.0 ID X 30
33		A002012	1	PLATE KEEPER
34		A177492	1	PIN 1 HOLE W/HD
35		7123111354	2	SHCS M4x30 A2 ISO4762
36		766111080A	2	Hex Nut M4 ISO 7040
37		7951110016	2	F WASHER 4 A2 ISO 7089
38		7951110216	2	L WASHER
39		80145492	1	ELEC CABLE LIMIT SWITCH 3P
40		80146230	1	LIMIT SWITCH LEVER
41		80148523	1	BRACKET LIMIT SWITCH

+ SEE FURTHER BREAKDOWN THIS GROUP

Manitowoc Cranes

<u>Description</u> TANK 436 L RET FILTRATION				Assembly No. 80119055 Revision:
Item	FN	Part	Qty	Description
1		3456870	2	CLAMP, TUBE
2		3753030	1	COUPLING, PLUG
3		3753040	1	COUPLING, DUST CAP
4		4272850	2	FILTER, HYDRAULIC
5		810122980	1	FITTING PLUG -32 ORB
6		4296170	1	FITTING, ADAPTER STRAIGHT
7		A17568	2	FLANG ASSY SPLIT CODE 61-64X50
8		5434060	1	PIPE NIPPLE 1 X 1.50
9		5966920	3	O-RING
10		7126191253	20	HHCS
12		7126191353	12	HHCS
13		7128241554	8	SHCS
14		7566500600	3	HOSE
15		80101319	1	GAUGE 10 IN HEIGHT
16		80105690	1	BREATHER 1 NPT 1274 LPM
17		80105691	1	BREATHER INDICATOR
18		80111256	1	SENSOR TEMP TRANSMITTER
19		80129487	1	TUBE ASSY RETURN MANIFOLD
20		80119056	1	TANK WELDMENT 436 L
21		810291552	1	COVER HEATER
22		810244880	3	FILTER HYD RETURN TO TANK INCLUDES THE FOLLOWING PARTS
		A179240	1	ELEMENT, FILTER
		A194210	1	KIT, SEAL
23		81024945	1	PLUG QIK DRN -16 ORB
24		810291560	1	GASKET HEATER
25		84055204	1	SWITCH ASSY HYD LEVEL INCLUDES THE FOLLOWING PARTS
		6670060	1	STRAP
		80093882	2	PIN-#20
		80101316	1	SENSOR FLOAT
		810010960	1	RECEPTACLE WITH WEDGE LOCK
		84022974	1	HEAT SHRINK TUBING 16/4
		A094400	1	TAPE
		810334040	1	SLEEVE .19 WOVEN WRAP SPLIT
26		A030720	1	VALVE, CHECK
27		A080600	6	CLAMP, SPRING LIGHT DUTY
28		A110300	3	TUBE, PREFORMED
29		A151190	2	VALVE ASSEMBLY, BUTTERFLY VALV
30		A175152	2	COVER, ACCESS
31		A175650	3	FITTING FLANGE ASSEMBLY
32		A195710	3	FITTING FLANGE ASSEMBLY, BLANK
33		80127217	1	VALVE

Manitowoc Cranes

Notes

Manitowoc Cranes

<u>Description</u> HYD LINES INSTL ACCESSORIES				Assembly No. 80115271 Revision: F
Item	FN	Part	Qty	Description
		7755018002	1	INCLUDES THE FOLLOWING PARTS
46		7447121248	1	O-RING
49		7447161601	1	SWIVEL, FEMALE 90
		7755021002	1	ADAPTER, STRAIGHT
		7755916002	1	INCLUDES THE FOLLOWING PARTS
50		7447161603	1	O-RING
		7755021002	1	O-RING
		7755916002	1	O-RING
		7447161603	1	ELBOW, 90 DEGREE MALE
		7755021002	1	INCLUDES THE FOLLOWING PARTS
		7755916002	1	O-RING
51		7447161633	1	O-RING
		7755021002	1	ELBOW, 90 DEGREE
		7447161634	1	INCLUDES THE FOLLOWING PARTS
52		7755021002	1	O-RING
		7555201601	1	TEE, RUN
		7555201702	1	INCLUDES THE FOLLOWING PARTS
53		7555201800	1	O-RING
54		7555202601	1	O-RING
55		7555202501	1	HOSE ASSY, 3/8" I.D. X 16" LONG
56		7555202700	1	3/8 HOSE ASSY STR X 45 ORFS
57		7555203903	1	HOSE ASSY 0.375 ID X 18 LG
58		7555208901	1	3/8" I.D. HYDR HOSE ASSY STR-9
59		7555207903	1	HOSE ASSY CODED, .375 ID X 25
60		7555214501	2	HOSE ASSY, 3/8" I.D. X 27" LONG
61		7555215401	1	HYDR HOSE ASSY
62		7555215101	1	HOSE ASSY -06 X 89 LG
63		7555215803	1	HOSE ASSY -06 X 79 LG
64		7555216701	1	HOSE ASSY CODED
65		7555217801	1	3/8" I.D. HYDR HOSE ASSY STR-9
66		7555218801	1	HOSE ASSY -06 X 151 LG
67		7555303620	1	3/8" I.D. HYDR HOSE ASSY STR-9
68		7555303920	1	HOSE ASSY -06 X 167 LG
69		7555305821	1	HOSE ASSY, 3/8" I.D. X 178" LONG
70		7555306223	1	HOSE ASSY -06 X 188 LG
71		7555312723	1	1/2" ID HYDR HOSE ASSY W/O-RING
72		7555313123	1	HOSE ASSY -08 X 39 LG
73		7555313501	1	1/2" I.D. HYDR HOSE ASSY STR-9
74		7555501900	1	HOSE ASSY -08 X 62 LG
75		7555505200	1	HOSE ASSY -08 X 127 LG
76		7555505800	1	HOSE ASSY -08 X 131 LG
77			1	HOSE ASSY, 1/2" I.D. X 135" LONG
78			1	HOSE ASSY -12 X 19 LG
			1	3/4" I.D. HYDR HOSE ASSY STR B
			1	HOSE ASSY

Manitowoc Cranes

Description

ENCODER, INCREMENTAL 500 PULS

Assembly No.

80126838

Revision: **B**

Item	FN	Part	Qty	Description
100		80122400	1	ENCODER INC 24VDC 250P/R OC
101		A005660	4	PHIL TMS
102		7094000	4	F WASHER
103		5460750	4	HEX NUT

Manitowoc Cranes

Description HYD LINES INSTL FF PREP				Assembly No. 80120368 Revision: E
Item	FN	Part	Qty	Description
1		3456750	1	CLAMP TUBE
2		5966920	1	O-RING
3		7115160650	4	HHCS 3/8-16UNCX0.75 G5
4		7126152553	2	HEX SCREW, PRECISION
5		7126171753	1	CAP SCREW, M8X50 HEX HEAD
6		7128191354	4	SHCS M10X30 12.9 FLZN ISO 4762
7		7127212250	2	HHCS M12x75 -10.9 ISO 4014
8		7447121003	1	ELBOW, 90 DEGREE INCLUDES THE FOLLOWING PARTS
		7755018002	1	O-RING
		7755910002	1	O-RING
9		7447121201	2	ADAPTER, STRAIGHT MALE INCLUDES THE FOLLOWING PARTS
		7755018002	1	O-RING
		7755912002	1	O-RING
10		7447121202	1	CONNECTOR, LONG INCLUDES THE FOLLOWING PARTS
		7755018002	1	O-RING
		7755912002	1	O-RING
11		7447121203	1	ELBOW, 90 DEGREE INCLUDES THE FOLLOWING PARTS
		7755018002	1	O-RING
		7755912002	1	O-RING
12		7447121233	2	ELBOW, 90 DEGREE INCLUDES THE FOLLOWING PARTS
		7755018002	1	O-RING
13		7447121603	1	ELBOW, 90 DEGREE INCLUDES THE FOLLOWING PARTS
		7755018002	1	O-RING
		7755916002	1	O-RING
14		7447161601	2	ADAPTER, STRAIGHT INCLUDES THE FOLLOWING PARTS
		7755021002	1	O-RING
		7755916002	1	O-RING
15		7447161603	1	ELBOW, 90 DEGREE MALE INCLUDES THE FOLLOWING PARTS
		7755021002	1	O-RING
		7755916002	1	O-RING
16		7447161640	1	ADAPTER, STRAIGHT INCLUDES THE FOLLOWING PARTS
		7755021002	1	O-RING
		7755916002	1	O-RING
17		7447242001	2	ADAPTER, STRAIGHT INCLUDES THE FOLLOWING PARTS
		7755029002	1	O-RING
		7755920002	1	O-RING
18		7555506000	1	HOSE ASSY -12 X 60 LG
19		7555507203	1	HOSE ASSY -12 X 72 LG
20		7555507502	1	HOSE ASSY -12 X 75 LG

Manitowoc Cranes

Notes

Manitowoc Cranes

Description
SWITCH ASSY ATB, W/DUST CAP

Assembly No.
80091847
 Revision:

Item	FN	Part	Qty	Description
2		7110151205	2	SHCS 5/16-18UNCx1.5 A574
3	+	9333102633	1	A2B FLAG ASSY
5		90044872	1	SWITCH ASSY. W/CONNECTOR
7		90038812	1	CAP, DUST
8		90039062	1	HARDWARE, LYNCH PIN

+ SEE FURTHER BREAKDOWN THIS GROUP

Manitowoc Cranes

Description
SENSOR WIND SPEED

Assembly No.
810209900
Revision: **C**

Item	FN	Part	Qty	Description
1		03144496	1	CUP ANEMOMETER 02 Z 160 KRIWAN
3		6806940	3	TERMINAL, PIN
4		810164590	1	RECEPTACLE
5		810243920	1	DUST CAP 3 POLE
6		810134310	1	STRAP, CABLE TIE

Manitowoc Cranes

Description

FRONT DRUM BRAKE PEDAL

Assembly No.

1965291

Revision: **FA**

Item	FN	Part	Qty	Description
1	+	1965299	1	PEDAL FRONT DRUM BRAKE

+ SEE FURTHER BREAKDOWN THIS GROUP

CLICK HERE TO **DOWNLOAD** THE COMPLETE MANUAL

- Thank you very much for reading the preview of the manual.
- You can download the complete manual from: www.heydownloads.com by clicking the link below



- Please note: If there is no response to CLICKING the link, please download this PDF first and then click on it.

CLICK HERE TO **DOWNLOAD** THE COMPLETE MANUAL

Manitowoc Cranes

Description

SWITCH ASSY SETUP REMOTE

Assembly No.

80107601

Revision: D

Item	FN	Part	Qty	Description
1		1768692	1	COVER PLATE, SWITCH HOUSING
2		195064	1	SWITCH HOUSING WITH HANDLE GRI
3		4716940	1	CORD, GRIP STRAIN RELIEF
4		5725230	22	PLUG SEALING
5		6205750	8	SCREW, PAN MACH SOCKET
6		6726590	1	SWITCH, TOGGLE SPDT MOMENTARY
7		672699	1	SWITCH,TOGGLE SPST OFF-NONE-ON
8		6727520	1	BLOCK SWITCH CONTACT (1-N.C.)
9		6807100	2	TERMINAL
10		6808360	4	TERMINAL FEMALE
11		6808390	7	TERMINAL RING
12		80115127	1	DECAL SETUP REMOTE
13		80107603	1	PLATE SETUP REMOTE
14		810054120	1	SWITCH ASSY
15		81013431	1	CABLE TIE STAINLESS STEEL 10"
16		810169890	1	SWITCH TOGGLE
17		810239320	1	ELECCONNECT M31HD36-24-31PE-072
18		810241160	1	CAP DUST SIZE 24
19		81037980	1	SWITCH PUSH BUTTON RED
20		84044446	2	ELEC COMPONENT PARALLEL SPLICE
21		A006730	9	TERMINAL
22		80113329	1	RESISTOR 43 OHM .6W 1%
23		A096020	1	BASE, SWITCH MOUNTING
24		A109960	4	SCREW, TC FLAT PHILLIPS TYPE A
25		80113328	1	ZENER DIODE 5.1V 1.3W
26		A197740	1	TUBING, POLYOLEFIN
27		A04040	1	SWITCH TOGGLE SPST MAINTAINED
28		A016340	1	TERMINAL SLIP ON .25X.032 FEMA
50		810134780	45	CABLE, CONTROL SHIELDED
51		2971890	1	CABLE

Manitowoc Cranes

Description

LIMIT SWITCH SUBASSY 6P LINEAR

Assembly No.

80129711

Revision: **A**

Item	FN	Part	Qty	Description
1		80129250	1	CABLE GLAND NPT 0.50 ID 4-10
2		80129310	1	CABLE
3		810161350	1	SWITCH, LIMIT
20		80129310	2	CABLE

Manitowoc Cranes

Description
KIT SERVICE 2000 HRS

Assembly No.
90047707
Revision: C

Item	FN	Part	Qty	Description
1		90024700	1	FILTER, FUEL 7-1/8" LG
2		90046689	1	FUEL/WATER SEPARATOR FILTER
3		9414101679	1	FILTER,OIL
4		90019453	1	FILTER ASSY. AIR PRIMARY
5		810144630	1	FILTER, AIR
6		A179240	3	ELEMENT, FILTER
7		9414101679	1	FILTER,OIL
8		810144620	1	FILTER AIR PRIMARY
9		90019454	1	FILTER ASSY. AIR SECONDARY
10		90046271	1	FILTER, HOUSING
11		90019746	1	BELT, SERPENTINE V-RIB

Manitowoc Cranes

Description
PUMP DRIVE ASSY

Assembly No.
80118288
Revision: **A**

Item	FN	Part	Qty	Description
1		80118289	1	GEARBOX 325 HP, 2100 RPM
2		7118180950	2	HHCS 1/2-13UNCX1.13 G8
3		7118201450	2	HHCS 5/8-11UNCX1.75 G8
4		7127271753	8	HHCS FULL THREAD
5		7128211354	2	SHCS
6		7950180150	2	WASHER, 1/2" I.D. FLAT
7		7951240095	2	F WASHER
8		7951270015	8	WASHER HARDENED
9		80117454	1	PUMP VARIABLE 56 CC/REV
10		80117861	1	PUMP 130 CC/REV
11		80118276	1	PUMP 130CC/REV
12		80119686	1	PUMP HYD 16 CC/REV GEAR
13		80120080	1	PUMP 18 CC/REV VARIABLE
14		80108193	2	O-RING 156 X 150 X 3

Manitowoc Cranes

Description
TANK FUEL INSTL 125 GAL

Assembly No.
80118291
Revision: B

Item	FN	Part	Qty	Description
1		80118722	1	TANK FUEL 125 GAL
		80118857	1	INCLUDES THE FOLLOWING PARTS
2		80119687	1	SENDER FUEL LEVEL 26 IN
3		80119688	2	STRAP MOUNTING FUEL TANK
4		80119688	2	RUBBER STRIP MOUNTING
5		5483440	4	HEX LOCK NUT PA
		7950180160	4	WASHER, 9/16"

Manitowoc Cranes

Description
AIR COND KIT HOSES

Assembly No.
80145435
Revision:

Item	FN	Part	Qty	Description
1		6727060	1	SWITCH, HI/LOW
2		80145436	1	HOSE ASSY .31 IDX5556X377 LG
3		80145437	1	HOSE ASSY .41 IDX5557X275 LG
4		80145438	1	HOSE ASSY .50 IDX5558X229 LG

Manitowoc Cranes

Description

JUNCTION BOX OFFSHORE POWER

Assembly No.

80139242

Revision: A

Item	FN	Part	Qty	Description
1		2682260	1	JUNCTION BOX

Manitowoc Cranes

Description
Q DISCON FITTING

Assembly No.
810121650
Revision:

Item	FN	Part	Qty	Description
1		90021804	1	KIT, CARTRIDGE

Manitowoc Cranes

Description
CRAWLER DRIVE ASSY

Assembly No.
80116893
 Revision: **C**

Item	FN	Part	Qty	Description
1		7127271753	2	HHCS FULL THREAD
2		7128292654	40	SCR SKT HD M24-3 X 100 12.9 PL
3		7128293854	36	SCR SKT HD M24 X 240 12.9 PLN
4		7951270015	2	WASHER HARDENED
5		80106033	1	O-RING 200X192X4.00W
6		80112675	1	TUMBLER MACHINING
7		80116892	1	GEARBOX TRAVEL
8		80116973	1	MOTOR HYD TRAVEL
9		80121870	3	PLUG ROUND

Manitowoc Cranes

Description

OUTRIGGER BEAM ASSY INSTL JACK

Assembly No.

80123317

Revision: **C**

Item	FN	Part	Qty	Description
1		80122567	4	OUTRIGGER BEAM CARBDY JACKMACH
		80122568	1	INCLUDES THE FOLLOWING PARTS
			1	OUTRIGGER BEAM CARBODY JACK
2		80117430	4	CYL HYD CARBODY JACKING
3	+	810247561	4	OUTRIGGER PAD ASSY
4		80135310	4	PIN WITH HEAD 59 OD X 210 LG
5		5621520	4	PIN COTTER, 3/8 DIA X 4.00 LG
6		80135312	4	PIN WITH HEAD 52 OD X 210 LG
7		5636400	4	SAFETY PIN
8		80129517	4	PIN 52.5 MM USABLE, GREASEABLE
9		810014962	8	PLATE KEEPER
10		80123320	4	PIN 64 MM USABLE, GREASEABLE
11		7951240220	16	LOCK WASHER, 16MM
12		7126241453	20	HHCS M16x35 -8.8 ISO 4017
13		80129516	4	PIN WITH HEAD 41.2 OD X 190 LG
14		810284270	8	PIN SAFETY .25 DIA X 2.50 LG
15		4290100	8	FITTING LUBE, NPT .25
16		7126242150	4	HHCS M16x70 -8.8 ISO 4014
17		7661240103	8	NUT

+ SEE FURTHER BREAKDOWN THIS GROUP

Manitowoc Cranes

Description
BUTT ASSY #350 6.8M

Assembly No.
80121510
Revision: C

Item	FN	Part	Qty	Description
1		5460500	2	NUT, HEX
2		5621120	8	PIN COTTER
4		6177650	2	SLOT RMS
5		7092030	2	F WASHER
6	+	80120866	2	STOP BOOM #350
7	+	80121275	1	BUTT WELD #350 6.8M
8		80122191	1	BRACKET BOOM STOP
9	+	80123530	1	EQUALIZER ASSY
10		80123832	2	PIN 130.0 dia x 161.0 lg
11		80123833	2	PLATE 12MM
12		80123834	2	PIN 2 HOLE 69.9 DIA X 203.0 LG
13		80124493	2	PIN 2 HOLE 69.9 DIA X 133.0 LG
14		80130040	4	LINK EQUALIZER
15		81039079	1	ANGLE INDICATOR
16		7126241753	4	HHCS M16X50 8.8 FLZN 4017
17		7950080050	2	LOCKWASHER, 5/32" I.D.
18		7951240015	4	F WASHER
19		1405382	2	PIN 2 HOLE
20		5620420	2	PIN COTTER
21		5620850	4	PIN COTTER
22		80124517	2	PIN W/HD 64.0 DIA X 59.0 LG
23		A117992	2	PIN 2 HOLE
24		A118002	2	COLLAR
25		5637900	2	PIN, HAIR COTTER
99	+	80126798	1	ESI BUTT ASSY #350 PART NOT SHOWN

+ SEE FURTHER BREAKDOWN THIS GROUP

Manitowoc Cranes

Description
SHEAVE SELF ASSY INSTL

Assembly No.
80124550
Revision: B

Item	FN	Part	Qty	Description
1		1773632	2	PIN
2		5621490	2	PIN COTTER
3		5638710	3	PIN, SAFETY
4		80106390	2	SHEAVE ASSY 26MM ROPE INCLUDES THE FOLLOWING PARTS
		80106930	1	BEARING ROLLER 190X130X79
5		80106909	2	RETAINER 8 MM, 17.5 DIA HOLES
6		80107092	2	SHAFT 129.98 DIA X 145 LG
7		80107140	1	PIN 25.0 DIA X 150 USE
8		7126241353	4	HHCS M16x30 -8.8 ISO 4017
9		7951240015	4	F WASHER
10		80107130	4	SPACER 8.0 X 158.8 X 131.0

Manitowoc Cranes

Notes

Manitowoc Cranes

Description

DECAL KIT BOOM INSERT

Assembly No.

80115699

Revision: **A**

Item	FN	Part	Qty	Description
200		81007341	4	DECAL-LIFT POINT
201		147852	2	DECAL-DANGER-BOOM HAZARD

Manitowoc Cranes

Description
A2B ASSY

Assembly No.
80119795
Revision: A

Item	FN	Part	Qty	Description
1	+	80075460	1	WEIGHT-LMI A2B
2		3341010	6	CHAIN
3		6246330	2	SHACKLE REF PARTS BOX

+ SEE FURTHER BREAKDOWN THIS GROUP

Manitowoc Cranes

Description
TIMBER ASSY #350 3M

Assembly No.
80123958
Revision: **B**

Item	FN	Part	Qty	Description
1		80101819	2	U-BOLT COATED 2.00 PIPE
2		80123136	2	PLATE 5 MM
5		7660152500	4	HEX LOCK NUT PA 5/16-18UNC SS
6		7950150141	8	F WASHER 5/16"
7		80129763	1	TIMBER 38.1 x 88.9 x 1520.0
8		7115153250	4	HHCS 5/16-18UNCx4 G5

Manitowoc Cranes

Description
INSERT WELD #350 6M

Assembly No.
80117703
 Revision: **D**

Item	FN	Part	Qty	Description
5	*	80117789	4	TUBE 2.00 OD X .095 W (INCH)
6	*	80117790	4	TUBE 2.00 OD X .120 W (INCH)
10	*	80117813	1	TUBE 2.00 OD X .095 W (INCH)
11	*	80117987	16	TUBE 2.00 OD X .095 W (INCH)
12	*	80117988	16	TUBE 2.00 OD X .095 W (INCH)
99	*	80124938	1	KIT LACING FOR 80117703 PART NOT SHOWN

* REPAIR KIT AND/OR PART OF KIT

Manitowoc Cranes

Description

TIMBER ASSY #350 12M

Assembly No.

80123960

Revision: **B**

Item	FN	Part	Qty	Description
1		80101819	4	U-BOLT COATED 2.00 PIPE
2		80123136	4	PLATE 5 MM
5		7660152500	8	HEX LOCK NUT PA 5/16-18UNC SS
6		7950150141	16	F WASHER 5/16"
7		80129763	2	TIMBER 38.1 x 88.9 x 1520.0
8		7115153250	8	HHCS 5/16-18UNCx4 G5

Manitowoc Cranes

Description
ESI UPPER POINT

Assembly No.
80124556
Revision: **B**

Item	FN	Part	Qty	Description
1		6670050	15	STRAP
2		7126171153	1	HHCS M8X20 8.8 ISO 4017
3		7126171954	2	SHCS M8x60 -8.8 ISO 4762
4		7660151601	1	HEX LOCK NUT 5/16-18UNC
5		7951170054	1	FLAT WASHER 8 100HV FLZN
6		7951170210	1	L WASHER
7		80074783	1	PIN, A2B
8	+	80091847	1	SWITCH ASSY ATB, W/DUST CAP
9		80104433	1	CLAMP .312 DIA
10		80124823	1	WIRING HARNESS WBU1
11		810137520	3	MOUNT
12		7103020	3	WASHER, LOCK
13		6123520	3	SCREW, HEX CAP
14		81013431	3	CABLE TIE STAINLESS STEEL 10"

+ SEE FURTHER BREAKDOWN THIS GROUP

Manitowoc Cranes

Alphabetical Index	Appendix A	
Description	Part	Page
#10 SEALING WASHER	80079443	45
1 1/2" I.D. HYDR HOSE ASSY STR	7555804090	191
1 1/4 HOSE STR SF X 90 SF 62	7573703779	200
1 1/4" I.D. HYDR HOSE ASSY STR	7555703591	190
1/2" I.D. HYDR ASSY STR-45 DEG	7555302302	311
1/2" I.D. HYDR HOSE ASSY STR-4	7555310802	350
1/2" I.D. HYDR HOSE ASSY STR-9	7555305821	213
1/2"ID HYDR HOSE ASSY W/O-RING	7555303620	213
24V CAB FAN	80052794	12
3/4" I.D. HOSE ASSY STR-L90	7555507003	200
3/4" I.D. HYDR HOSE ASSY STR B	7555505200	213
3/8 HOSE ASSY STR X 45 ORFS	7555201702	213
3/8" I.D. HYDR HOSE ASSY STR-9	7555202601	213
	7555215401	213
	7555215803	213
3/8" I.D. X 136"	7555213601	241
5/8" I.D. HYDR HOSE ASSY STR-9	7555406201	227
80121275 LACING KIT BUTT	80124623	387
90 DEG BACKSHELL	80123882	29
90 DEG BLK STR	80099881	13
A2B FLAG ASSY	9333102633	253, 407, 465
ACCU 0.5 LITER 21.7 BAR	80119725	214
ACCUMULATOR	810253160	368
ACTUATOR ROD	80122117	291
ADAPTER	90000908	27
	90062509	34
ADAPTER, 90 DEG	90062500	34
ADAPTER, ORIFICE	7013001238	190
ADAPTER, PANTOGRAPH	90048387	11
ADAPTER, SAE ORB UNION	80069634	214
ADJUSTABLE SUN VISOR	2981410	125
AIR COND KIT HOSES	80145435	331
ALARM	810018650	287
ANGLE INDICATOR	81039079	383
ANTENNA AM / FM	80106145	141
ARM DISPLAY MOUNT	80130281	51
ARM DISPLAY MOUNT SHORT	80117810	51
ARM, WIPER/WET 26"	90011815	27
BACKHITCH LOWER	80119134	135
BACKHITCH UPPER	80119133	135

From - #10 SEALING WASHER

To - BACKHITCH UPPER

Manitowoc Cranes

Alphabetical Index	Appendix A	
Description	Part	Page
COVER, RH REAR SIDE	80105033	81
COVER, TOP AIR BOX	90062452	33
COVER, SIDE AIR BOX	90062463	33
CRAWLER DRIVE ASSY	80116893	357
CRAWLER MACHINING	80116889	357
CRAWLER PAD ASSY	80123686	357
CRAWLER SHOE 300.0P X 1200.0W	80117201	365
CUP ANEMOMETER 02 Z 160 KRIWAN	03144496	263
CYL HYD CARBODY JACKING	80117430	373
CYL HYD CARBODY PIN PULLER	80116918	355
CYL HYD COUNTERWEIGHT PIN	84054356	129
CYL HYD GANTRY RAISING	80116916	135
CYLINDER HYDR	81019943	183
DAMPER DOOR	90062491	34
DECAL	810276880	297
	810276890	297
DECAL - WARNING CALIFORNIA PROP 6	81007557	95
DECAL (EN) 29CFR 1926.1423	810182050	95
DECAL (EN) BUILT TO ASME B30.5	1769272	95
DECAL (EN) PATENT	1478482	95
DECAL 240 VOLTS	84043757	337
DECAL BOOM SIGN	80107352	103
DECAL CAUTION BATTERY DISCONN	A114490	101
DECAL CAUTION HYDRAULIC TANK F	810224040	101
DECAL CAUTION-WELDING	1970252	101
DECAL CIRCUIT BREAKER ID	80115082	65
	80115083	65
DECAL CONSOLE TRAVEL	80124620	52
DECAL COUNTERWEIGHT RAISING	80107910	101
	80107911	101
DECAL CTWT TRAY WEIGHT (10t) W	801241302	101
DECAL DANGER ELETROCUTION HAZA	95496	95, 101
DECAL DIESEL FUEL SYMBOL	810108810	101
DECAL DIR CONTROL VALVE	80126911	97
DECAL DRUM IDENTIFICATION	80132227	95
DECAL ELECTRIC SHOCK	84044188	337, 341
DECAL ENGINE THROTTLE	80104277	57
DECAL EXPLOSION HAZARD	1965840	101
DECAL FIRE EXTINGUISHER	810188410	95
DECAL FLAG	1768352	101

From - COVER, RH REAR SIDE

To - DECAL FLAG

Manitowoc Cranes

Alphabetical Index	Appendix A	
Description	Part	Page
HOSE ASSY -06 X 151 LG	7555215101	213
HOSE ASSY -06 X 167 LG	7555216701	213
HOSE ASSY -06 X 188 LG	7555218801	213
HOSE ASSY -06 X 79 LG	7555207903	213
HOSE ASSY -06 X 838 LG	80122402	214
HOSE ASSY -06 X 89 LG	7555208901	213
HOSE ASSY -08 X 111 LG	7555311102	350
HOSE ASSY -08 X 127 LG	7555312723	213
HOSE ASSY -08 X 131 LG	7555313123	213
HOSE ASSY -08 X 137 LG	7555313721	350
HOSE ASSY -08 X 148 LG	7555314823	350
HOSE ASSY -08 X 2312 LG	80127349	367
HOSE ASSY -08 X 2515 LG	80127347	367
HOSE ASSY -08 X 3023 LG	80127348	367
HOSE ASSY -08 X 39 LG	7555303920	213
HOSE ASSY -08 X 62 LG	7555306223	213
HOSE ASSY -10 X 560LG	80131649	235
HOSE ASSY -10 X 635LG	80131648	235
HOSE ASSY -10 X 660LG	80131646	235
HOSE ASSY -10 X 87 LG	7555408701	221
HOSE ASSY 12 X 102 LG	7555510202	241
HOSE ASSY -12 X 104 LG	7555510402	350
HOSE ASSY -12 X 107 LG	7555510701	214
HOSE ASSY -12 X 1143 LG	80122405	215
HOSE ASSY -12 X 132 LG	7573513201	214
HOSE ASSY -12 X 19 LG	7555501900	213
HOSE ASSY -12 X 2770 LG	80127346	367
HOSE ASSY -12 X 3050 LG	80122101	201
HOSE ASSY -12 X 31 LG	7573503102	215
	7573503103	214
HOSE ASSY -12 X 49 LG	7555504991	200
HOSE ASSY -12 X 54 LG	7555505463	350
HOSE ASSY -12 X 60 LG	7555506000	233
HOSE ASSY -12 X 64 LG	7573506402	214
HOSE ASSY -12 X 69 LG	7555506991	200
HOSE ASSY -12 X 70 LG	7555507091	200
HOSE ASSY -12 X 700 LG	80122268	221
HOSE ASSY -12 X 72 LG	7555507203	233
HOSE ASSY -12 X 75 LG	7555507502	233
HOSE ASSY -12 X 76 LG	7555507600	215

From - HOSE ASSY -06 X 151 LG

To - HOSE ASSY -12 X 76 LG

Manitowoc Cranes

Alphabetical Index	Appendix A	
Description	Part	Page
PIN SAFETY	5638250	147
	810165950	148
	810282382	133, 461
PIN SAFETY .25 DIA X 2.50 LG	810284270	357, 373, 398
PIN SHEAR	A115672	105
PIN SPRING SLOT	5640380	71
PIN W/ HEAD 12MM X 70 MAGNETIC	80127004	368
PIN W/COTTER	9914100033	117
PIN W/HD 52.1 DIA X 64.25 LG	80121470	397, 429, 435, 441, 449, 455
PIN W/HD 52.1 DIA X 87.8 LG	80122345	397
PIN W/HD 64.0 DIA X 59.0 LG	80124517	383
PIN W/HD 69.85 DIA X 147.8 LG	80122344	397
PIN WITH HEAD 125 DIA X 239 LG	80121221	355
PIN WITH HEAD 41.2 OD X 190 LG	80129516	373
PIN WITH HEAD 50.8 X 115.5 LG	80120006	133
PIN WITH HEAD 50.8 X 90.5 LG	80120004	133
PIN WITH HEAD 52 OD X 210 LG	80135312	373
PIN WITH HEAD 59 OD X 210 LG	80135310	373
PIN-#20	80093882	193
PIN, 16 - 14 GA	7689000704	27
PIN, 18 - 16 GAGE	7689001782	143
PIN, A2B	80074783	251, 405, 463
PIN, COTTER	5620430	397, 429, 435, 441, 449, 455
	5620440	183
	5621510	133
	9826220011	139
PIN, DOWEL ROLL	A030330	357
PIN, HAIR COTTER	5637900	383
PIN, QUICK PULL ZINC	90042061	119, 419, 425
PIN, SAFETY	5638710	91, 133, 261, 389, 393
PIN, SOCKET (7/8")	9826220009	139
PIPE NIPPLE 0.75DIA 4.5LGX40	543752	327
PIPE NIPPLE 0.75DIA 6.00LGX40	543760	327
PIPE NIPPLE 1 X 1.50	5434060	193
PIPE, NIPPLE	5434440	327
PISTON	90024178	185
PIVOT SHAFT, 51MM	90048384	11
PLATE	80022424	17
	810264142	247
	810270560	215

From - PIN SAFETY

To - PLATE

Manitowoc Cranes

Alphabetical Index	Appendix A	
Description	Part	Page
SWITCH, LIMIT	810161350	293
SWITCH, L-SERIES BEACON LIGHT	7872100159	269
SWITCH, MAST ARMS	7872100194	52
SWITCH, PANEL LIGHTS	7872100191	49
SWITCH, TOGGLE SPDT MOMENTARY	6726590	283
SWITCH, TRAVEL SPEED	7872100189	52
SWITCH, WORK LIGHTS	7872100192	49
SWITCH,L-SER 24V WNDSHLD WIPER	7872100174	49
SWITCH,TOGGLE SPST OFF-NONE-ON	672699	283
SWIVEL 10 CIRCUIT	80117457	200
SWIVEL ARM	80064695	73
TANK 436 L RET FILTRATION	80119055	190
TANK FUEL 125 GAL	80118722	323
TANK FUEL INSTL 125 GAL	80118291	307
TANK WELDMENT 436 L	80119056	193
TAPE	A094400	193
TEE	90062481	33
TERMINAL	6807100 A006730	283 49, 283
TERMINAL FEMALE	6808360	283
TERMINAL RING	6808390	283
TERMINAL SLIP ON .25X.032 FEMA	A016340	283
TERMINAL, FEM, 2.8MM, RADIO	80108560	143
TERMINAL, FEMALE	7345001449	143
TERMINAL, MALE	7345001746	12
TERMINAL, PIN	6806940	263, 265
TERMINAL, PIN CONTACT	6805450	73
THERMOSTAT, DUAL	90062459	33
THUMB SCREW 5/16-18UNCX1.00"	80091963	81
TIMBER 38.1 X 88.9 X 1405.0	80124737	411
TIMBER 38.1 x 88.9 x 1520.0	80129763	433, 439, 445, 453, 459
TIMBER 38.1 X 88.9 X 980.0	80124748	411
TIMBER 38.1X88.9X230.0	80113111	135
TOP MOLDING SECTION, SLIDING	90039114	21
TOP WELD #350 8.20 M	80121513	397
TRACK, DOOR BOTTOM PLASTIC	80016416	11
TREAD PIN	0119782	365
TUBE	1934972	199
TUBE .25 ODX .05WX119 LG	81024261	111
TUBE 2.0 OD X 0.095 W (INCH)	80121694	401

From - SWITCH, LIMIT

To - TUBE 2.0 OD X 0.095 W (INCH)

Manitowoc Cranes

Numeric Index		Appendix B
Part	Description	Page
5469560	NUT PANEL	52, 57, 85, 281
5471130	HEX NUT	357
5483440	HEX LOCK NUT PA	323
5483450	NUT, HEX LOCK	3
5485550	NUT, LOCK CONDUIT	71, 257
5485580	NUT	341
5620020	PIN COTTER 1/16 DIA X 0.75 LG	257
5620420	PIN COTTER	183, 383
5620430	PIN, COTTER	397, 429, 435, 441, 449, 455
5620440	PIN, COTTER	183
5620850	PIN COTTER	383
5621050	PIN COTTER	357
5621120	PIN COTTER	383
5621290	PIN COTTER	385
5621490	PIN COTTER	393
5621500	PIN COTTER	181, 389, 461
5621510	PIN, COTTER	133
5621520	PIN COTTER, 3/8 DIA X 4.00 LG	135, 373
5621740	PIN COTTER	219, 225
5636400	SAFETY PIN	373, 397, 429, 435, 441, 449, 455
5637900	PIN, HAIR COTTER	383
5638160	PIN COTTER	377, 385
5638230	PIN SAFETY	397, 429, 435, 441, 449, 455, 461
5638250	PIN SAFETY	147
5638710	PIN, SAFETY	91, 133, 261, 389, 393
5638740	PIN 1 HOLE W/HD	461
5640380	PIN SPRING SLOT	71
5717030	PLUG, PIPE	327
5717040	PLUG, PIPE	357
5723220	PLUG	339
5725230	PLUG SEALING	283
5898710	RECEPTACLE	71
5899750	RECEPTACLE	57
5911170	REEL	287, 391
5948660	RESISTOR	71
5966920	O-RING	193, 199, 233
5966930	O RING	241

From - 5469560

To - 5966930

Manitowoc Cranes

Numeric Index		Appendix B
Part	Description	Page
7447201608	ELBOW, 45 DEGREE	191
7447202001	ADAPTER, STRAIGHT MALE	189
7447202008	ELBOW, 45 DEGREE	202
7447202033	ELBOW, 90 DEGREE	189
7447202046	FITTING	189
7447241613	FITTING	235
7447242001	ADAPTER, STRAIGHT	233
7447242051	EXPANDER	191
7447242434	TEE	235
7450000403	PLUG, FLANGE	190
7486000225	LEVEL, CIRCULAR	82, 345
7519000198	NYLON LIFT OFF HINGE, LH	63, 81
7519000199	HINGE, RIGHT HAND NYLON	81
7543000685	HOSE - USE 9543100045	39
7555201601	HOSE ASSY, 3/8" I.D. X 16" LONG	213
7555201702	3/8 HOSE ASSY STR X 45 ORFS	213
7555201800	HOSE ASSY 0.375 ID X 18 LG	213
7555202101	HOSE ASSY, 3/8" I.D. X 21" LONG	214
7555202501	HOSE ASSY CODED, .375 ID X 25	213
7555202601	3/8" I.D. HYDR HOSE ASSY STR-9	213
7555202681	HOSE ASSY, 3/8" ID X 26" LG	200
7555202700	HOSE ASSY, 3/8" I.D. X 27" LONG	213
7555202981	HYD HOSE ASSY	241
7555203801	HOSE ASSY, 3/8" I.D. X 38" LONG	189
7555203903	HYDR HOSE ASSY	213
7555204902	HOSE ASSY CODED	241
7555207903	HOSE ASSY -06 X 79 LG	213
7555208901	HOSE ASSY -06 X 89 LG	213
7555213601	3/8" I.D. X 136"	241
7555214501	HOSE ASSY CODED	213
7555215101	HOSE ASSY -06 X 151 LG	213
7555215401	3/8" I.D. HYDR HOSE ASSY STR-9	213
7555215803	3/8" I.D. HYDR HOSE ASSY STR-9	213
7555216701	HOSE ASSY -06 X 167 LG	213
7555217001	HYDRAULIC HOSE ASSEMBLY	216
7555217801	HOSE ASSY, 3/8" I.D. X 178" LONG	213
7555218801	HOSE ASSY -06 X 188 LG	213
7555302001	HOSE ASSY, 1/2" I.D. X 20" LONG	241
7555302302	1/2" I.D. HYDR ASSY STR-45 DEG	311

From - 7447201608

To - 7555302302

Manitowoc Cranes

Numeric Index		Appendix B
Part	Description	Page
80104074	CAB ACOUSTICS INSTALLATION	7
80104075	MISC CAB COMPONENTS INSTALL	7
80104139	SKYLIGHT WIPER KIT-24V	11
80104142	FOAM - ACOUSTIC RH FRONT	37
80104143	FOAM - ACOUSTIC RH REAR	37
80104147	FOAM - ACOUSTIC RH REAR	37
80104153	FOAM - ACOUSTIC RH REAR	37
80104157	FOAM - ACOUSTIC RH REAR	37
80104165	FOAM - ACOUSTIC LH REAR	37
80104175	FOAM - ACOUSTIC TOP	37
80104178	FOAM - ACOUSTIC BACK WALL	37
80104185	FOAM - ACOUSTIC BACK WALL	37
80104186	MAT, FLOOR	13
80104187	FOAM - ACOUSTIC BACK WALL	37
80104188	INSTL, CAB BRACKETS	7
80104189	INSTL, CAB PEDAL GROUP	7
80104225	PLATE- CAB BULKHEAD COVER	41
80104227	PLATE- CAB BULKHEAD COVER	41
80104233	PLATE- CAB RIGHT SIDE	41
80104277	DECAL ENGINE THROTTLE	57
80104280	PLATE- PEDAL PLATE COVER	43
80104312	WELDMENT - LEVEL BUBBLE	41
80104371	BRACKET, SHELF	81
80104433	CLAMP .312 DIA	251, 405, 463
80104574	RETAINING RING 19.1X25.4	147
80104823	RECEPTACLE USB DUAL PORT	51
80104827	PRINTED PANEL CONSOLE RH FRONT	51
80104840	U-BOLT .375-16 X 2.0 SQUARE	57
80104879	BRACKET BOOM TOP CABLE MTG	397
80104981	COVER, REAR ELEC LOWER	81
80105033	COVER, RH REAR SIDE	81
80105089	COVER, AIR VENT	81
80105203	COVER, AIR VENT	81
80105212	SHAFT 130 DIA X 727.0 LG	397
80105325	COVER, CAB UPPER FRONT	81
80105532	U-BOLDT .25-2OUNC 1.25 ID SS	49
80105671	SHEET METAL 14 GA	397
80105690	BREATHER 1 NPT 1274 LPM	193
80105691	BREATHER INDICATOR	193

From - 80104074

To - 80105691

Manitowoc Cranes

Numeric Index		Appendix B
Part	Description	Page
80122024	HOSE ASSY -32 X 790 LG	190
80122025	HOSE ASSY -32 X 575 LG	190
80122026	HOSE ASSY -32 X 1100 LG	190
80122099	HOSE ASSY -20 X 2690 LG	201
80122100	HOSE ASSY -20 X 1235 LG	201
80122101	HOSE ASSY -12 X 3050 LG	201
80122110	LIMIT SWITCH BOOM STOP	287
80122111	BRACKET ASSY LIMIT SWITCH	291
80122117	ACTUATOR ROD	291
80122118	RING SNAP EXT 15MM DIA	291
80122119	COVER 16 GA	291
80122120	BRACKET LIMIT SWITCH	287
80122134	BRACKET ALARM	287
80122174	BRACKET CABLE REEL	287, 391
80122191	BRACKET BOOM STOP	383
80122213	BRACKET LOW PRES ACC VALVE	214
80122214	BRACKET HOSE MOUNTING	214
80122215	TUBE ASSY HIGH PRES	214
80122216	TUBE ASSY LOW PRES	214
80122217	TUBE ASSY GANTRY	214
80122218	TUBE ASSY GANTRY	214
80122219	TUBE ASSY LOW PRES	214
80122223	LINK CROSS 60X60	135
80122224	LINK CROSS	135
80122242	FITTING STRAIGHT -6ORB X -6ORB	201
80122268	HOSE ASSY -12 X 700 LG	221
80122270	HOSE ASSY -12 X 780 LG	227
80122319	RETAINING RING EXT 2.13 IN DIA	136
80122320	RETAINING RING EXT 3.00 IN DIA	136
80122321	RETAINING RING EXT 30.0 MM DIA	136
80122334	LINK MACH #350	397
80122343	ROPE GUARD 2.0 OD X .25 W (IN)	397
80122344	PIN W/HD 69.85 DIA X 147.8 LG	397
80122345	PIN W/HD 52.1 DIA X 87.8 LG	397
80122348	SPACER 145.5 X 131.50 X 107.0	397
80122349	SPACER 145.5 X 131.50 X 144.0	397
80122350	BRACKET HOSE CLAMP	214
80122356	SPACER 145.5 X 131.5 X 63.0	397
80122359	RETAINER 8 MM, 17.5 DIA HOLES	397

From - 80122024

To - 80122359

Manitowoc Cranes

Numeric Index		Appendix B
Part	Description	Page
80145437	HOSE ASSY .41 IDX5557X275 LG	333
80145438	HOSE ASSY .50 IDX5558X229 LG	333
80145492	ELEC CABLE LIMIT SWITCH 3P	183, 288
80145647	LIMIT SWITCH VARIABLE LEVER	287
80145696	HYD LINES INSTL CARBODY	345
80145738	BRACKET MANUAL VALVE	350
80145745	BRACKET MAUAL VALVE SHIELD	350
80145788	HOSE ASSY-12 X 64 IN LG	350
80146005	DOME LIGHT - DOOR	49
80146114	BRACKET MANUAL VALVE SHIELD	351
80146230	LIMIT SWITCH LEVER	183
80146737	SHIM LIMIT SWITCH 16 GA	288
80146945	FITTING ADAPTER M27 X -6 ORB	214
80147305	HVAC AC/HEATER ASSY	307
80147833	BRACKET CTWT LIMIT SWITCH	287
80148523	BRACKET LIMIT SWITCH	183
80149137	PRINTED PANEL CAB OVERHEAD RH	49
810006580	BATTERY	321
810010960	RECEPTACLE WITH WEDGE LOCK	193
810014962	PLATE KEEPER	373
810015300	DECAL WARNING READ MANUAL	95
810018650	ALARM	287
810019600	NAMEPLATE	57
810021890	CABLE ELEC	341
810027560	FITTING ADAPTER SPECIAL	201
810029580	DISCONNECT	191, 201
810034210	PHIL TMS	49, 51
810039130	Q DISCON FITTING	367
810039140	Q DISCON FITTING	350
810039150	CAP DUST	351
810041210	LOAD CENTER 12 SPACES	341
810043080	CAP DUST	351
810043090	PLUG DUST	351
810052462	PIN COTTER	355
810054120	SWITCH ASSY	283
810063210	SCREW, SOCKET BUTTON CAP	43
810070010	WIRE	261
810070020	SLEEVE	261
81007147	PARTS BOX 48 INCH	113

From - 80145437

To - 81007147

Manitowoc Cranes

Numeric Index		Appendix B
Part	Description	Page
A002012	PLATE KEEPER	183
A002600	RECEPTACLE	51
A005660	PHIL TMS	223, 229
A006730	TERMINAL	49, 283
A014920	RETAINER	335
A015950	RETAINER, P-CLIP	288, 307, 321, 331
A015980	RETAINER, P-CLIP	202
A015990	RETAINER, P-CLIP	308, 335
A016340	TERMINAL SLIP ON .25X.032 FEMA	283
A019710	WASHER TANK, WINDSHIELD WIPER	89
A019720	VALVE, CHECK WASHER	89
A019730	CONNECTOR, BULKHEAD	63
A02019	FOOT PEDAL ASSY THROTTLE CONTR	47
A020212	HOUSING FOOT PEDAL	71
A020232	PEDAL FOOT	71
A020242	SHAFT	71
A020252	SHAFT	71
A020282	BRACKET	71
A023050	POTENTIOMETER	71
A024680	CONTROLLER, JOYSTICK	57
A027690	BRACKET	127
A028570	HSSS CUP	57
A029470	DIODE	71
A030150	KNOB THROTTLE MOLDED BLACK	57
A030300	PHIL OMS	57
A030310	PHIL TMS	52
A030330	PIN, DOWEL ROLL	357
A030350	WASHER, FLAT	82
A030720	VALVE, CHECK	193
A030750	SCREW, PAN MACH PHILLIPS	127
A031450	CABLE ELECTRIC	321
A032300	WIPER WINDSHIELD FLUID	89
A039400	PLUG HOLE 0.625 DIA HOLE	63
A040120	RETAINER	73
A04040	SWITCH TOGGLE SPST MAINTAINED	283
A041430	PUMP HYD HAND	113
A041435	KIT, PACKING	123
A044122	DECAL WARNING COOLANT BURN HAZ	101
A058390	DECAL WARNING ROTATING FAN BLA	101

From - A002012

To - A058390

CLICK HERE TO **DOWNLOAD** THE COMPLETE MANUAL

- Thank you very much for reading the preview of the manual.
- You can download the complete manual from: www.heydownloads.com by clicking the link below



- Please note: If there is no response to CLICKING the link, please download this PDF first and then click on it.

CLICK HERE TO **DOWNLOAD** THE COMPLETE MANUAL