

# Manitowoc Cranes MACHINE COMPONENT INDEX

Date: June 01, 2020

Rev: 001

<u>Model Number</u> MLC100-1		<u>Serial Number</u> 91001043	
Item	Part	Description	Page
1	84054265	<b>ROTATING STRUCTURE</b> CAB INSTL CAB MOUNTING ASSY	3
	84055197	CAB ASSY	5
	80103175	CAB ASSY 24V CCS PURCHASED	7
	80113644	CAB - SUB ASSY 24V CRAWLER	11
	80103172	GLASS DOOR ASSEMBLY	15
	80071856	WINDOW ASSY. RH SIDE	19
	90039109	GLASS ASSY. SLIDING	21
	90039110	GLASS ASSY. FIXED	23
	80118622	LIGHT ASSY-LED FLOOD	
	80004449	KIT - FRONT WIPER (24 VOLT) (COMPLETE ASSEMBLY)	25
	80124600	WORK LIGHT HA - JUMPER	27
	80102531	INSTL, HEATER & AC S/S CAB 24V	29
	80089969	KIT - 24V HEATER/COOL	33
	80104074	INSTL - CAB ACOUSTICS	37
	80104075	MISC CAB COMPONENTS INSTALL	39
	80104188	INSTL, CAB BRACKETS	41
	80104189	INSTL, CAB PEDAL GROUP	43
	80079452	PLUG INSTALLATION	45
	80117809	CONSOLE CONTROL ASSY CAB	47
	80102334	CONSOLE OVERHEAD ASSY	49
	80117366	CONSOLE RIGHT HAND ASSY	53
	84054782	DISPLAY CCS COLOR	57
	80102336	CONSOLE LEFT HAND ASSY	61
	A024680	CONTROLLER, JOYSTICK	63
	80102338	CONSOLE REAR ASSY	67
	80107986	PANEL ASSY ELEC REAR CAB UPPER	69
	80107988	PANEL ASSY ELEC REAR CAB LOWER	71
	80107991	PANEL ASSY ELEC REAR CAB INNER	73
	A02019	FOOT PEDAL ASSY THROTTLE CONTR	75
	84055199	SEAT ASSY CAB	77
	84055200	INSTL, CAB INTERIOR	83
	84055201	ESI CAB INTERIOR WIRING	87

CLICK HERE TO **DOWNLOAD** THE COMPLETE MANUAL

- Thank you very much for reading the preview of the manual.
- You can download the complete manual from: [www.heydownloads.com](http://www.heydownloads.com) by clicking the link below



- Please note: If there is no response to CLICKING the link, please download this PDF first and then click on it.

CLICK HERE TO **DOWNLOAD** THE COMPLETE MANUAL

# Manitowoc Cranes

Description  
**CAB ASSY**

**Assembly No.**  
**84055197**  
Revision: D

Item	FN	Part	Qty	Description
1	+	80103175	1	CAB ASSY 24V CCS PURCHASED
2	+	80117809	1	CONSOLE CONTROL ASSY CAB
3	+	84055199	1	SEAT ASSY CAB
4	+	84055200	1	INSTL, CAB INTERIOR
5	+	84055201	1	ESI CAB INTERIOR WIRING
6		539052	1	IDENTIFICATION PLATE
7		599294	2	RIVET-BLIND-.125 DIA.
8		02254477	1	OUTSIDE MIRROR WITH HOLDER
9		7115140850	2	HHCS 1/4-20UNCX1.00 G5
10		7950140050	2	WASHER, LOCK 1/4"
11		7950140141	4	WASHER, FLAT 1/4" PLAIN NARROW
12		7660140001	2	HEX NUT 1/4-20UNC GR5 FLZN

+ SEE FURTHER BREAKDOWN THIS GROUP

# Manitowoc Cranes

<u>Description</u> <b>GLASS DOOR ASSEMBLY</b>				<b>Assembly No.</b> <b>80103172</b> Revision: <b>A</b>
Item	FN	Part	Qty	Description
1		80081857	1	WELDMENT - DOOR FRAME
2		80103173	1	GLASS - CAB DOOR
3		6829015131	1	SEALANT, ADHESIVE
4	#	80004407	1	ROTARY LATCH - LEFT HAND
5	#	80004406	1	LATCH, RIGHT HAND ROTARY
6		80022442	1	HANDLE
7		80011214	1	DOOR HANDLE MODIFICATION INCLUDES THE FOLLOWING PARTS
		80011215	1	DOOR HANDLE ASSY. WITH KEY SET
		80004481	1	LUG
8		80004994	2	ROD, LATCH
9		80016385	1	BOTT DOOR GUIDE WLDMT
10		80041878	1	PLATE LATCH ACTUATOR
11		80038109	3	CLIP NUT 10-32
12		80081856	1	COVER - CAB DOOR LATCH
13		7949000561	2	WASHER, .450 I.D. NYLON FLAT
14		7834100003	4	SPRING
15		80022424	1	PLATE
16		7822000080	1	SLEEVE
17		7069000516	4	BEARING
18		7659000796	4	NUT
19		80016403	6	BUSHING PLASTIC
20		6637031006	1	MOULDING - USE 9637100004 QTY 1 MOULDING 6 FEET
21		7950160161	8	WASHER, FLAT WIDE 3/8
22		7115160850	4	HHCS 3/8-16UNCX1 G5
23		7660101630	5	LOCK NUT
24		7101100411	6	SLOT PMS #10-32UNFX0.5 G1
25		7126171153	2	HHCS M8X20 8.8 ISO 4017
26		7951170210	2	L WASHER
27		7951170014	2	F WASHER 8 -ST ISO 7089
28		7258001451	3	CAP, 1/4"
29		7101100807	2	Slot FMS #10-32UNFx1 G1
30		7069001045	2	BEARING
31		7949000623	8	WASHER, BLACK PLASTIC
32		7690021210	4	PIN, 3/32" X 3/4" LONG COTTER
33		7951150014	2	F WASHER
34		7115141050	4	HHCS 1/4-20UNCX1.25 G5
35		7115160650	2	HHCS 3/8-16UNCX0.75 G5
36		1006766	24	SEALER, ADHESIVE BACKED

# SERVICED AS AN ASSEMBLY ONLY

# Manitowoc Cranes

Description

**KIT - FRONT WIPER(24 VOLT)  
(COMPLETE ASSEMBLY)**

**Assembly No.**

**80004449**

Revision:

Item	FN	Part	Qty	Description
1		90000907	1	MOTOR ASSY. 24V.
2		90011813	1	LINK, DRIVE ARM
3		90000912	1	SHAFT, PIVOT
4		90011815	1	ARM, WIPER/WET 26"
5		9576101347	1	BLADE, WIPER 34"
6		90000908	1	ADAPTER
7		90011814	1	LINK, 13.5" LG
8		90000992	1	KIT, HARDWARE
9		7892000824	1	RECEPTACLE DT04-6P(W6P)
10		7689000704	5	PIN, 16 - 14 GA
11		7689000503	1	PLUG, SEALING 16 - 12 AWG

# ***Manitowoc Cranes***

**Notes**

---

# Manitowoc Cranes

Description

**PLUG INSTALLATION**

Assembly No.

**80079452**

Revision: **A**

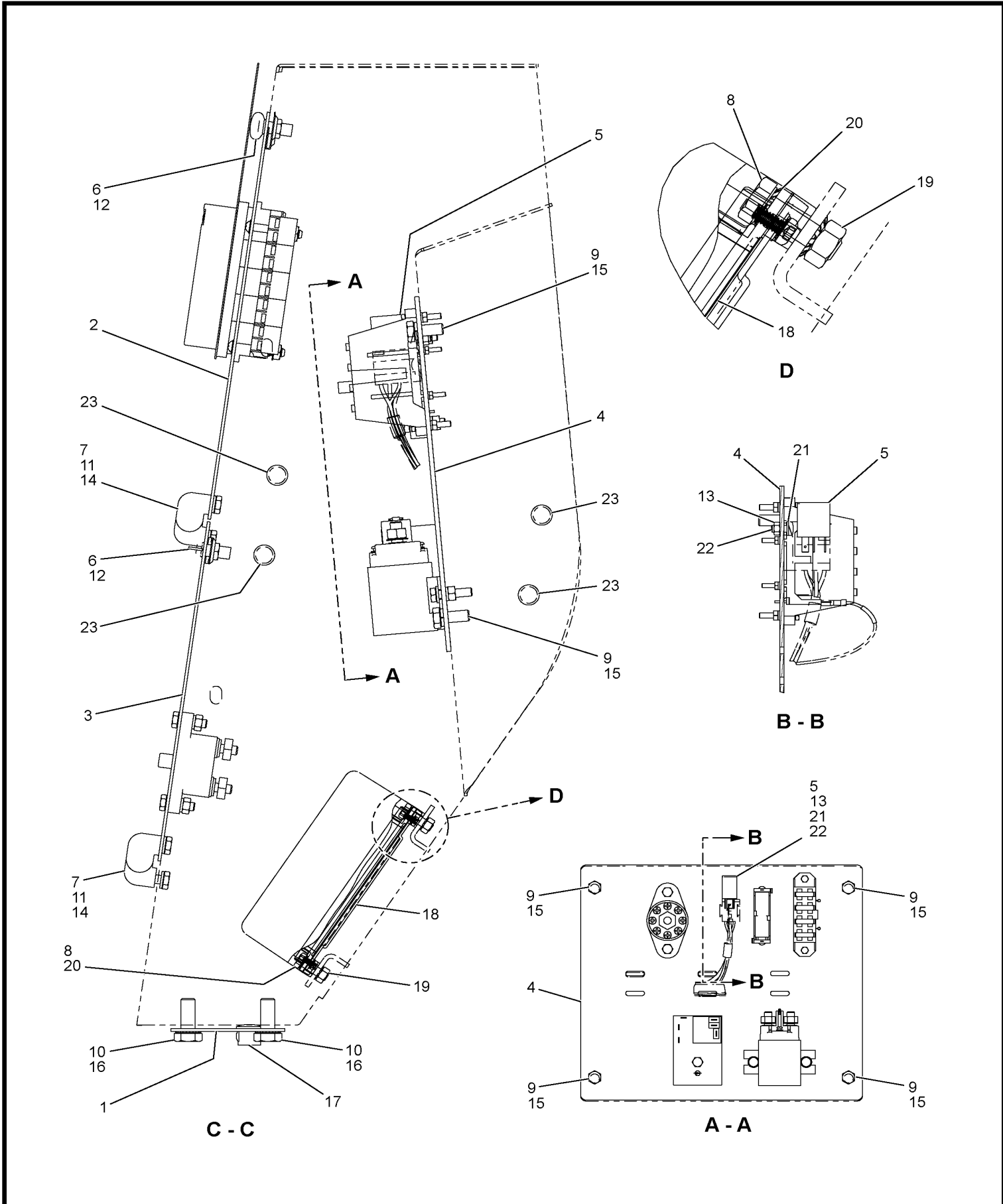
Item	FN	Part	Qty	Description
1		<b>80055044</b>	1	PLUG
2		<b>7126111053</b>	1	HHCS M4X16 8.8 ISO 4017
3		<b>7951110014</b>	1	WASHER, 4MM I.D.
4		<b>7661110803</b>	1	NUT LOCK NYLON
5		<b>80079443</b>	1	#10 SEALING WASHER

# ***Manitowoc Cranes***

Notes

---

# Manitowoc Cranes



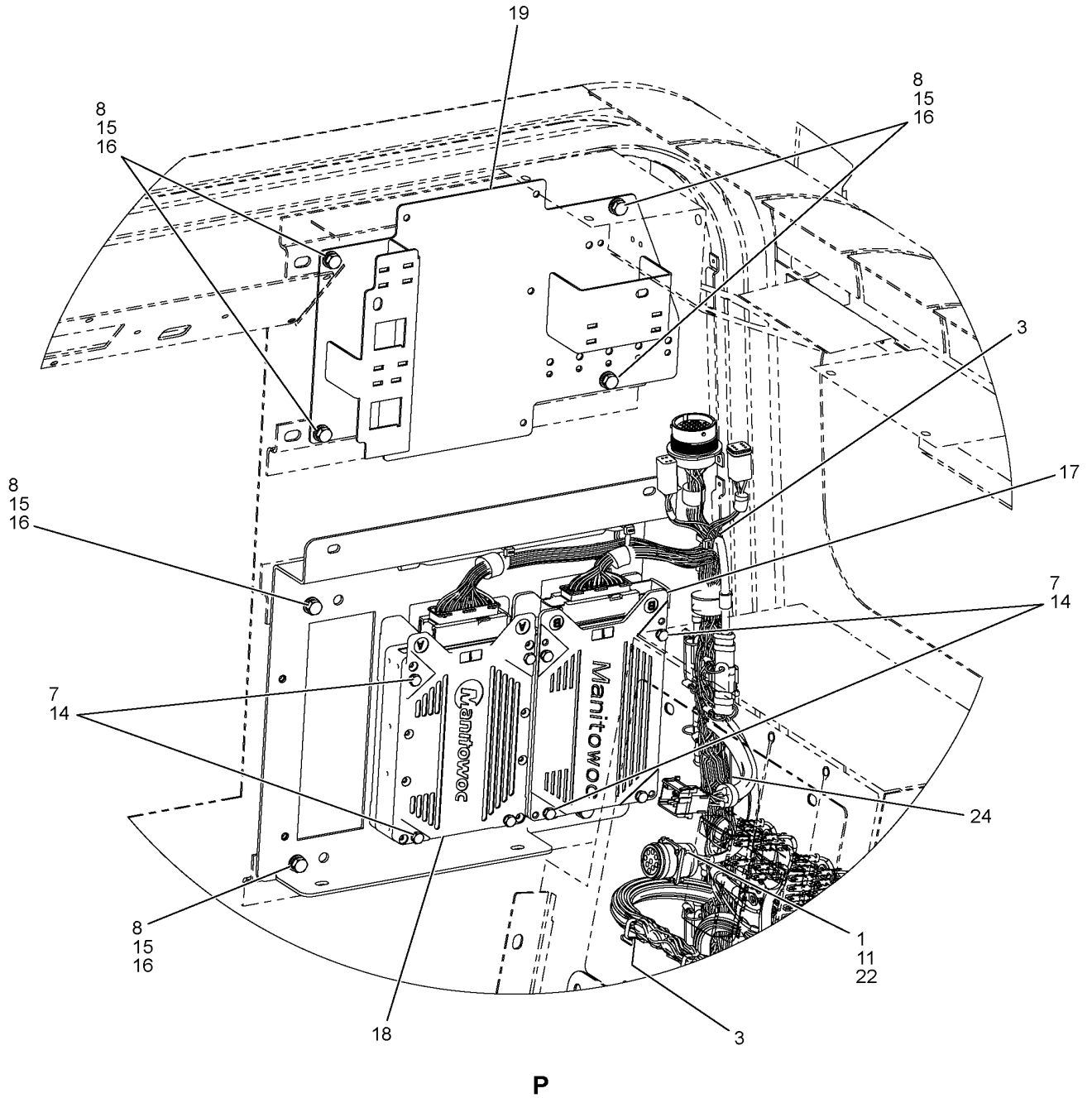
# Manitowoc Cranes

Description  
**FOOT PEDAL ASSY THROTTLE CONTR**

**Assembly No.**  
**A02019**  
**Revision: FA**

Item	FN	Part	Qty	Description
1		A020212	1	HOUSING FOOT PEDAL
2		A020232	1	PEDAL FOOT
3		A020242	1	SHAFT
4		A020252	1	SHAFT
5		6524940	1	SPRING
6		A020282	1	BRACKET
7		A023050	1	POTENTIOMETER
9		A029470	1	DIODE
10		2254890	2	BEARING
13		5485550	1	NUT, LOCK CONDUIT
14		5640380	2	PIN SPRING SLOT
15		5898710	1	RECEPTACLE
16		5948660	1	RESISTOR
17		6124520	2	HHCS 3/8-16UNC X 0.75 GR 5
18		6161640	2	SLOT FMS
21		6203550	1	HSSS CUP
22		6202240	1	HSSS CUP
25		7103040	2	L WASHER

# Manitowoc Cranes



# Manitowoc Cranes

Description

**DECAL KIT LOWERWORKS**

Assembly No.

**80115688**

Revision: **B**

Item	FN	Part	Qty	Description
15		<b>0987399</b>	4	DECAL(EN) WARNING CRUSH HAZARD
16		<b>A073390</b>	8	DECAL WARNING CRUSH HAZARD
29		<b>80109031</b>	1	DECAL RADIUS

# Manitowoc Cranes

Description

**DECAL KIT MLC100-1 NOMENCLATUR**

Assembly No.

**80115696**

Revision: **A**

Item	FN	Part	Qty	Description
18		<b>80111361</b>	1	DECAL MANITOWOC 26" WHITE
19		<b>80111339</b>	2	DECAL MLC100-1 32" WHITE
20		<b>810118460</b>	2	DECAL, MANITOWOC LOGO (40") W
21		<b>80110441</b>	1	DECAL MLC100-1 36" WHITE

# Manitowoc Cranes

Description  
**FRAME SUPPORT ASSY**

**Assembly No.**  
**84054270**  
 Revision: **D**

Item	FN	Part	Qty	Description
1		<b>7127271554</b>	36	SHCS M20x40 10.9 FLZN ISO 4762
2		<b>7951270014</b>	36	F WASHER
3	+	<b>80116959</b>	1	FRAME PLATFORM ASSY RIGHT
4	+	<b>84054272</b>	1	FRAME PLATFORM ASSY LEFT
5	+	<b>80114489</b>	1	PLATFORM ASSY 774 MM
6		<b>7951190054</b>	4	FLAT WASHER 10 100HV FLZ
7		<b>7661190804</b>	4	HEX LOCK NUT M10

+ SEE FURTHER BREAKDOWN THIS GROUP

# Manitowoc Cranes

Description  
**PLATFORM ASSY CAB**

**Assembly No.**  
**80104559**  
 Revision: **A**

Item	FN	Part	Qty	Description
1		7126191955	14	SFHCS M10x60 8.8 ISO 10642
2		7127191453	2	HHCS M10X35 10.9 FLZN ISO 4017
3		7661190004	2	NUT
4		7661190803	14	HEX LOCK NUT M10 -8 ISO 7040
5		7951190014	14	F WASHER 10
6		80104560	1	PLATFORM CAB
7		80104569	1	PLATE 10X110X700
8		80104570	1	PLATE 10X110X700
9		80104571	8	SPACER 25X20
10		80104572	2	PLATE 20X100X125

# ***Manitowoc Cranes***

Notes

---

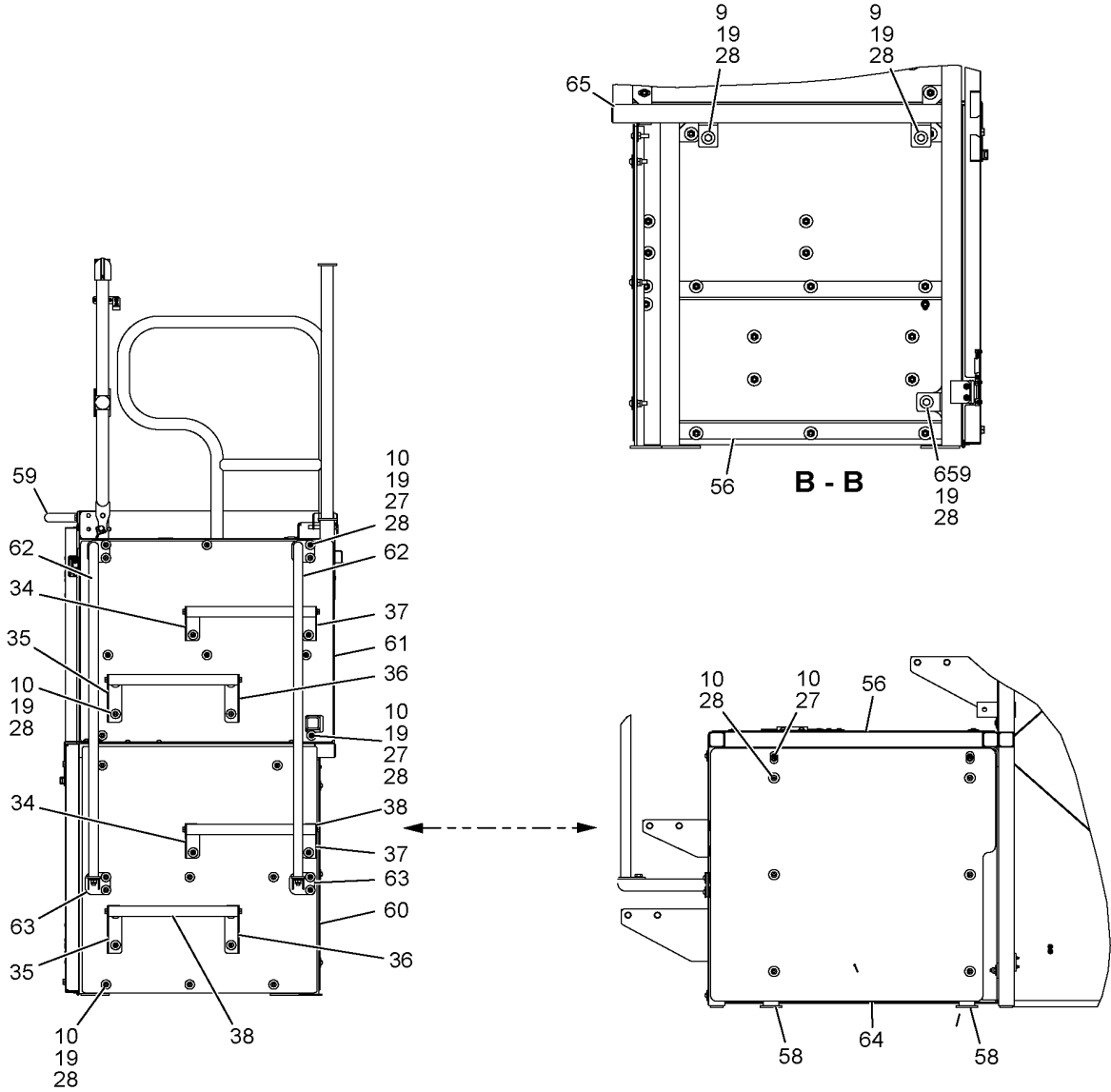
# Manitowoc Cranes

Description  
**VALVE ASSY QUICK DRAIN**

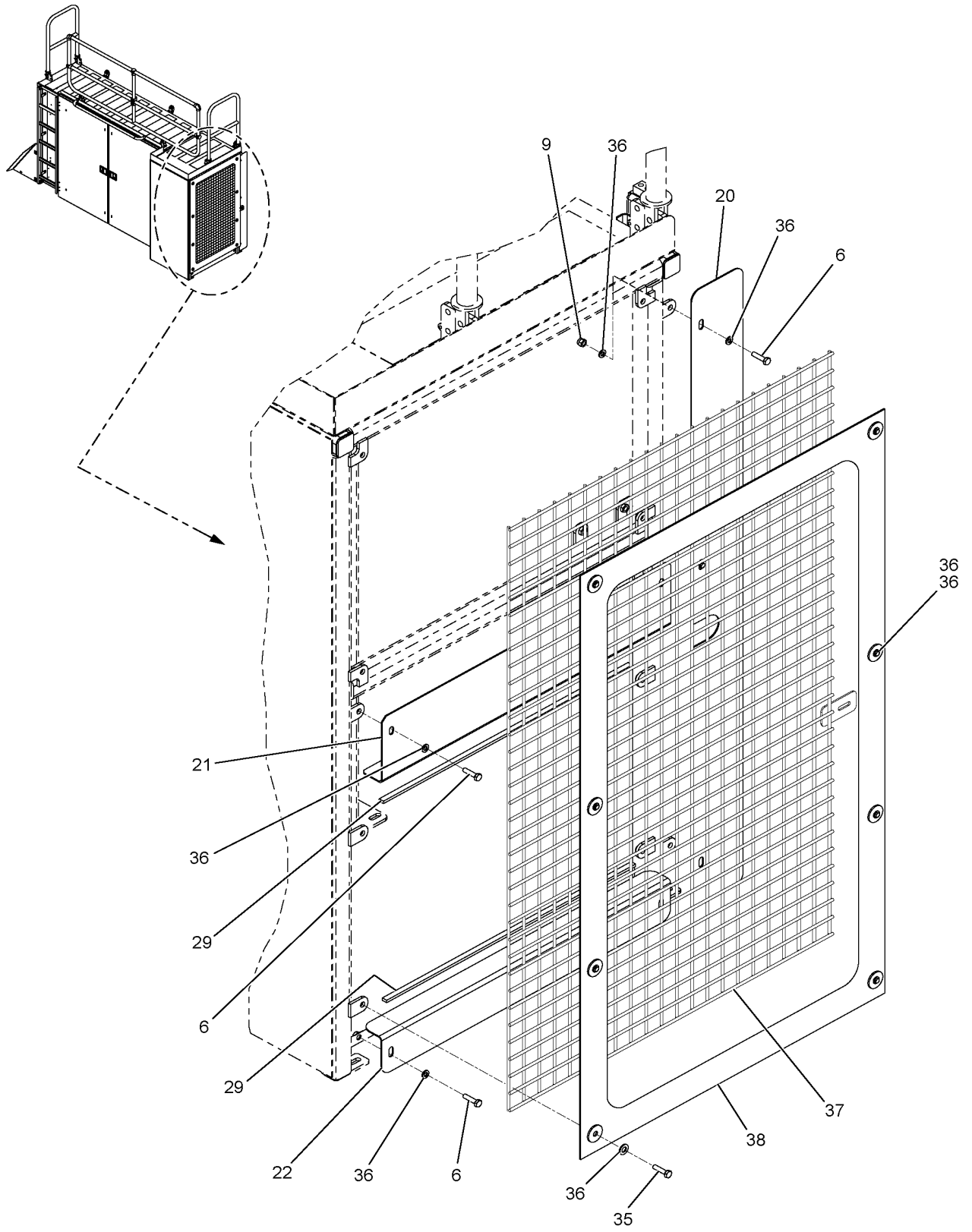
Assembly No.  
**810249430**  
Revision: **D**

Item	FN	Part	Qty	Description
1		<b>3453370</b>	1	CLAMP, WORM DRIVE
2		<b>810249410</b>	1	HOSE
3		<b>810249470</b>	1	FITTING, ADAPTER STRAIGHT QUIC

# Manitowoc Cranes



# Manitowoc Cranes



# Manitowoc Cranes

Description

**COUNTERWEIGHT ASSY ROT BED**

**Assembly No.**

**84054314**

Revision: E

Item	FN	Part	Qty	Description
1		80116577	1	COUNTERWEIGHT TRAY MACHINING
2		80103743	2	COUNTERWEIGHT UPPER BOX
3		80109719	4	PIN 2 HOLE 33.5 DIA X 148.0 LG
4		810284270	8	PIN SAFETY .25 DIA X 2.50 LG
5		80103086	2	LINK FEMALE, CTWT RAISING
6		84054342	2	LINK FEMALE, CTWT RAISING
7		5640940	8	PIN 1 HOLE W/HD
8		5621080	8	PIN COTTER
9		80102497	4	PENDANT
10		810138560	4	PIN WIRE LOCK
11		7785241200	8	HSSS CUP 7/8-9 X 0.75

# Manitowoc Cranes

Description  
**SWITCH LIMIT ASSY**

**Assembly No.**  
**810238652**  
 Revision: **C**

Item	FN	Part	Qty	Description
1		<b>3643870</b>	1	CONNECTOR MALE 3-POLE DEUTSCH
2		<b>4716820</b>	1	CONNECTOR, GRIP CORD 7/16" BO
3		<b>5726060</b>	1	PLUG WEDGE LOCK DEUTSCH W3P
4		<b>6806940</b>	3	TERMINAL, PIN
5		<b>810161270</b>	1	SWITCH, LIMIT
6		<b>810070200</b>	1	TUBING
20		<b>2971820</b>	2	CABLE, SHIELDED
21		<b>2972110</b>	1	CABLE, WIRE

# Manitowoc Cranes

Description

**HYD LINES INSTL REAR DRUM FF**

**Assembly No.**

**80116312**

Revision: **A**

Item	FN	Part	Qty	Description
1		7447060633	1	ELBOW, 90 DEGREE MALE
		7755012002	1	INCLUDES THE FOLLOWING PARTS O-RING
2		7447080801	1	ADAPTER, STRAIGHT
		7755014002	1	INCLUDES THE FOLLOWING PARTS O-RING
		7755908002	1	O-RING
3		7447101069	1	FITTING STR ORFS-ISO9974
4		7447121201	1	ADAPTER, STRAIGHT MALE
		7755018002	1	INCLUDES THE FOLLOWING PARTS O-RING
		7755912002	1	O-RING
5		7447121208	1	ELBOW, 45 DEGREE MALE
		7755018002	1	INCLUDES THE FOLLOWING PARTS O-RING
		7755912002	1	O-RING
6		7447121233	1	ELBOW, 90 DEGREE
		7755018002	1	INCLUDES THE FOLLOWING PARTS O-RING
7		7447161669	1	FITTING ADAPTER STRAIGHT
8		801111120	1	HOSE ASSY -12 X 760 LG
9		801111121	1	HOSE ASSY -8 X 850 LG
10		80115061	1	HOSE ASSY -12 X 1500 LG
11		810234500	1	FITTING ADAPTER STRAIGHT

# Manitowoc Cranes

Description <b>HYD LINES INSTL SUCTION ASSY</b>				Assembly No. <b>80116315</b> Revision: <b>E</b>
Item	FN	Part	Qty	Description
1		3456870	2	CLAMP, TUBE
2		4316420	4	FLANGE ASSEMBLY
3		4317660	1	FLANGE ASSEMBLY
4		5968010	2	O RING
5		7126171053	5	HHCS M8X16 SS ISO 4017
6		7126191153	12	HHCS M10X20 8.8
7		7126191553	2	HHCS M10x40 -8.8 ISO 4017
8		7126212650	4	CAP SCREW, M12X100 HEX HEAD
9		7126212950	2	HHCS 12 X 130 8.8
10		7127212353	4	SCR CAP HEX HD
11		7447060603	1	ELBOW, 90 DEGREE INCLUDES THE FOLLOWING PARTS
		7755012002	1	O-RING
		7755906002	1	O-RING
12		7447080613	1	REDUCER
13		7447080801	1	ADAPTER, STRAIGHT INCLUDES THE FOLLOWING PARTS
		7755014002	1	O-RING
		7755908002	1	O-RING
14		7447080834	1	TEE, MALE RUN INCLUDES THE FOLLOWING PARTS
		7755014002	1	O-RING
		7755908002	1	O-RING
15		7447121201	3	ADAPTER, STRAIGHT MALE INCLUDES THE FOLLOWING PARTS
		7755018002	1	O-RING
		7755912002	1	O-RING
16		7447121216	1	CAP, 3/4 ORS
17		7447121234	1	TEE, RUN INCLUDES THE FOLLOWING PARTS
		7755018002	1	O-RING
18		7447121235	1	TEE INCLUDES THE FOLLOWING PARTS
		7755018002	1	O-RING
19		7447121240	1	ADAPTER, STRAIGHT INCLUDES THE FOLLOWING PARTS
		7755018002	1	O-RING
		7755912002	1	O-RING
20		7447121250	1	ADAPTER ORFS SWIVEL/SAE O-RING
21		7447161603	1	ELBOW, 90 DEGREE MALE INCLUDES THE FOLLOWING PARTS
		7755021002	1	O-RING
		7755916002	1	O-RING
22		7447201601	1	ADAPTER, STRAIGHT MALE INCLUDES THE FOLLOWING PARTS
		7755025002	1	O-RING
		7755916002	1	O-RING

# Manitowoc Cranes

<u>Description</u> <b>HYD LINES INSTL DRUM CIRCUITS</b>				<b>Assembly No.</b> <b>80101629</b> Revision: <b>M</b>
Item	FN	Part	Qty	Description
79		7661210804	5	HEX LOCK NUT
81		7951170014	2	F WASHER 8 -ST ISO 7089
83		7951210014	17	F WASHER 12 -ST ISO 7089
84		7951210095	4	FLAT WASHER, 12
85		80049048	1	90 DEG ELBOW
86		80060094	1	SADDLE SPACER
87		80101630	1	VALVE 8 SECTION
88		80101791	1	MANIFOLD HEADER 90 DEG -12
89		80111248	1	HOSE ASSY -20 ID X 3410 LG
90		80111249	1	HOSE ASSY -20 ID X 3170 LG
91		80111123	1	BRACKET HOSE CLAMP
93		80101865	3	FLANGE -16 CD 61 SPACER
94		80103728	1	TUBE ASSY BOXCAR TRAVEL
95		80103732	1	TUBE ASSY BOXCAR TRAVEL
98		80106679	1	BRACKET WELDMENT SUPPORT
99		80106871	2	FITNG STRAIGHT M18 ISO6149 -60
100		80107206	1	BRACKET HOSE SUPPORT
104		80108176	1	FLANGE TEE -16CD62X-12ORB
105		80118382	1	HOSE ASSY -12 ID X 2670 LG
106		810029580	2	DISCONNECT
107		810114770	3	FLANGE ASSY SPLIT CODE 62
108		810122910	1	FITTING, PLUG
109		810122920	1	PLUG (SAE -8)
110		810122940	1	PLUG (SAE -12)
111		810122950	1	FITTING PLUG
112		810160830	2	FLANGE SPLIT CODE 62
114		810160930	3	FLANGE SPLIT CODE 61
115		81021918	2	FLANGE
117		810250160	2	CHANNEL ANCHOR CLAMP
118		810268620	12	SENSOR
119		810270380	3	CLAMP
120		810270400	5	CLAMP
121		810270420	6	CLAMP 1.75 DIA DIN3015
122		810270570	3	PLATE
123		810270640	6	PLATE
124		810270650	3	PLATE
125		810270750	6	CLAMP
126		810271020	4	CHANNEL ANCHOR CLAMP
127		810272140	2	CLAMP

# Manitowoc Cranes

<u>Description</u> HYD LINES INSTL ACCESSORIES				Assembly No. 80116343 Revision: F
Item	FN	Part	Qty	Description
				INCLUDES THE FOLLOWING PARTS
		7755018002	1	O-RING
		7755912002	1	O-RING
46		7447121601	1	ADAPTER, STRAIGHT
				INCLUDES THE FOLLOWING PARTS
		7755018002	1	O-RING
		7755916002	1	O-RING
47		7447161251	1	EXPANDER
48		7447161601	1	ADAPTER, STRAIGHT
				INCLUDES THE FOLLOWING PARTS
		7755021002	1	O-RING
		7755916002	1	O-RING
49		7555201572	1	HOSE ASSY. -6 ID X 15 LG
50		7555202002	1	3/8" I.D. HYDR HOSE ASSY STR-4
51		7555202070	1	HOSE ASSY CODED
52		7555202701	1	3/8" I.D. HYDR HOSE ASSY STR-9
53		7555202901	1	HOSE ASSY, 3/8" I.D. X 29" LONG
54		7555202902	1	3/8" I.D. HYDR HOSE ASSY STR-4
55		7555203401	1	HOSE ASSY, 3/8" I.D. X 34" LONG
56		7555203700	1	HOSE ASSY CODED
57		7555205401	1	HOSE ASSY CODED
58		7555205500	1	HOSE ASSY, 3/8" I.D. X 55" LONG
59		7555209101	1	HOSE ASSY CODED 0.51ID X 91LG
60		7555211201	1	3/8" I.D. HYDR HOSE STR-90 DEG
61		7555211401	1	HOSE ASSY, 3/8" I.D. X 114" LONG
62		7555212003	1	HOSE ASSY -6 ID X 120 LG
63		7555210803	1	HOSE ASSY, 3/8" I.D. X 108" LONG
64		7555211901	1	HOSE ASSY -6 ID X 119 LG
65		7555215003	2	HOSE ASSY -6ID X 150 LG
66		7555302061	1	1/2" I.D. HYDR. HOSE ASSY.
67		7555302361	1	HOSE ASSY
68		7555302361	1	HOSE ASSY
69		7555303560	1	HOSE ASSY CODED .50 ID X 35 LG
70		7555303962	1	HOSE ASSY -8 X 39 LG
71		7555304602	1	HOSE ASSY -8ID X 46 LG
72		7555305302	1	1/2" HYD HOSE ASSY STR X 45
73		7555309102	1	HOSE ASSY CODED
74		7555313560	1	HOSE ASSEMBLY 1/2" ORFS X 135" LONG
75		7555313960	1	HOSE ASSY -8ID X 139 LG
76		7555315060	1	HOSE ASSY, 1/2" I.D. X 150" LONG
77		7555315260	1	HOSE ASSY -8 ID X 152 LG

# Manitowoc Cranes

Description

**ESI FREEFALL DRUMS 1 & 2**

Assembly No.

**80101324**

Revision: **A**

Item	FN	Part	Qty	Description
1		<b>1965272</b>	2	CATCH
2	+	<b>1965299</b>	1	PEDAL FRONT DRUM BRAK
3	+	<b>1965309</b>	1	PEDAL REAR DRUM BRAKE
4		<b>6124510</b>	4	HHCS
5		<b>6727500</b>	1	BASE, SWITCH MOUNTING
6		<b>6727510</b>	2	BLOCK SWITCH CONTACT N.O.
7		<b>6727530</b>	1	SWITCH KEY 3 POS CENTER RETURN
8		<b>710304</b>	4	L WASHER

+ SEE FURTHER BREAKDOWN THIS GROUP

CLICK HERE TO **DOWNLOAD** THE COMPLETE MANUAL

- Thank you very much for reading the preview of the manual.
- You can download the complete manual from: [www.heydownloads.com](http://www.heydownloads.com) by clicking the link below



- Please note: If there is no response to CLICKING the link, please download this PDF first and then click on it.

CLICK HERE TO **DOWNLOAD** THE COMPLETE MANUAL

# Manitowoc Cranes

Description

**SWITCH ASSY SETUP REMOTE**

Assembly No.

**80107601**

Revision: D

Item	FN	Part	Qty	Description
1		1768692	1	COVER PLATE, SWITCH HOUSING
2		195064	1	SWITCH HOUSING WITH HANDLE GRI
3		4716940	1	CORD, GRIP STRAIN RELIEF
4		5725230	22	PLUG SEALING
5		6205750	8	SCREW, PAN MACH SOCKET
6		6726590	1	SWITCH, TOGGLE SPDT MOMENTARY
7		672699	1	SWITCH,TOGGLE SPST OFF-NONE-ON
8		6727520	1	BLOCK SWITCH CONTACT (1-N.C.)
9		6807100	2	TERMINAL
10		6808360	4	TERMINAL FEMALE
11		6808390	7	TERMINAL RING
12		80115127	1	DECAL SETUP REMOTE
13		80107603	1	PLATE SETUP REMOTE
14		810054120	1	SWITCH ASSY
15		81013431	1	CABLE TIE STAINLESS STEEL 10"
16		810169890	1	SWITCH TOGGLE
17		810239320	1	ELECCONNECT M31HD36-24-31PE-072
18		810241160	1	CAP DUST SIZE 24
19		81037980	1	SWITCH PUSH BUTTON RED
20		84044446	2	ELEC COMPONENT PARALLEL SPLICE
21		A006730	9	TERMINAL
22		80113329	1	RESISTOR 43 OHM .6W 1%
23		A096020	1	BASE, SWITCH MOUNTING
24		A109960	4	SCREW, TC FLAT PHILLIPS TYPE A
25		80113328	1	ZENER DIODE 5.1V 1.3W
26		A197740	1	TUBING, POLYOLEFIN
27		A04040	1	SWITCH TOGGLE SPST MAINTAINED
28		A016340	1	TERMINAL SLIP ON .25X.032 FEMA
50		810134780	45	CABLE, CONTROL SHIELDED
51		2971890	1	CABLE

# Manitowoc Cranes

Description  
**SWITCH LIMIT ASSY**

**Assembly No.**  
**810238652**  
 Revision: **C**

Item	FN	Part	Qty	Description
1		<b>3643870</b>	1	CONNECTOR MALE 3-POLE DEUTSCH
2		<b>4716820</b>	1	CONNECTOR, GRIP CORD 7/16" BO
3		<b>5726060</b>	1	PLUG WEDGE LOCK DEUTSCH W3P
4		<b>6806940</b>	3	TERMINAL, PIN
5		<b>810161270</b>	1	SWITCH, LIMIT
6		<b>810070200</b>	1	TUBING
20		<b>2971820</b>	2	CABLE, SHIELDED
21		<b>2972110</b>	1	CABLE, WIRE

# Manitowoc Cranes

Description  
**DECAL KIT T4F ENGINE**

Assembly No.  
**80115697**  
Revision: **A**

Item	FN	Part	Qty	Description
36		<b>7376102946</b>	1	DECAL-WARNING ULTRA LOW SULFUR
37		<b>80021901</b>	1	PANEL-ULTRA LOW SULFUR DIESEL
38		<b>810276890</b>	1	DECAL
39		<b>810276880</b>	1	DECAL

# Manitowoc Cranes

Description

**ADAPTER TORQUE COUPLING**

**Assembly No.**

**80102235**

Revision: **A**

Item	FN	Part	Qty	Description
1		7126211553	8	HHCS M12X40 8.8 FLZN ISO 4017
2		7661210803	8	HEX LOCK NUT
3		7951210014	16	F WASHER 12 -ST ISO 7089
4		80102233	1	ADAPTER TORQUE ELEMENT
5		80102234	1	PLATE ADAPTER TORQUE

# Manitowoc Cranes

Description  
HVAC AC/HEATER ASSY

**Assembly No.**  
**84054256**  
Revision: E

Item	FN	Part	Qty	Description
1		7126151153	4	HHCS M6X20 SS ISO 4017
2		7126171253	10	HHCS M8X25 8.8 ISO 4017
3		7126171553	8	CAP SCREW, M8 X 40MM HEX HEAD
4		7661151103	4	HEX LOCK NUT M6
5		7661171103	10	HEX LOCK NUT M8 8 ISO 7719
6		7951150014	8	F WASHER
7		7951170014	10	F WASHER 8 -ST ISO 7089
8	+	80027884	1	A/C CONDENSER-VERT. MTG. 24V.
9	+	80109243	1	AIR COND KIT HOSES
11		80109368	1	BRACKET CONDENSER
12		80109369	1	BRACKET CONDENSER
13		80109370	2	BRACKET CONDENSER
14		810190690	6	STRIP RUBBER
15		810272120	12	CLAMP
16		810275850	4	CLAMP
17		810276040	8	COVER PLATE
18		810276300	7	PLATE
19		80112785	2	HOSE CLAMP SPR INS 0.79-1.26IN
20		7126191353	6	HHCS M10X30 8.8 FLZN ISO 4017
21		7951190054	6	FLAT WASHER 10 100HV FLZ
22		810275970	1	CHANNEL ANCHOR CLAMP

+ SEE FURTHER BREAKDOWN THIS GROUP

# Manitowoc Cranes

Description

**PANEL DEF TANK COVER**

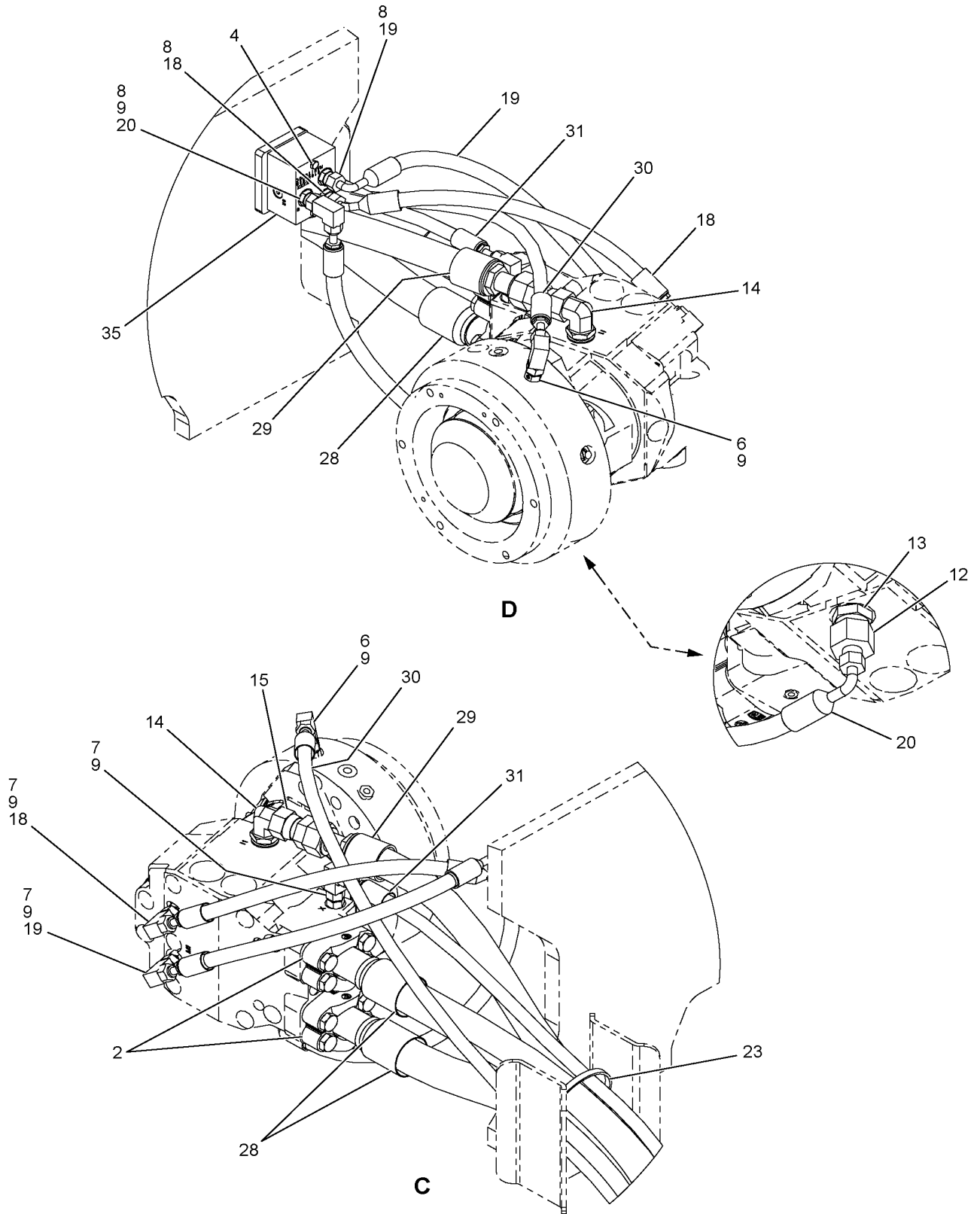
Assembly No.

**80118329**

Revision: **A**

Item	FN	Part	Qty	Description
1		<b>80118325</b>	1	PANEL DEF TANK COVER
2		<b>80115323</b>	1	INSULATION DEF TANK

# Manitowoc Cranes



# Manitowoc Cranes

Description  
**CRAWLER DRIVE ASSY**

Assembly No.  
**80103985**  
Revision: **B**

Item	FN	Part	Qty	Description
1		<b>84054337</b>	1	GEARBOX TRAVEL
2		<b>84054345</b>	1	TUMBLER MACHINING
3		<b>7128342154</b>	20	SHCS
4		<b>7128292954</b>	24	SCR SKT HD M24-3 X 130 12.9 PL
5		<b>7127271553</b>	2	HHCS FULL THREAD
6		<b>80106033</b>	1	O-RING 200X192X4.00W
7		<b>84054341</b>	1	HYD MOTOR TRAVEL MOTOR

# Manitowoc Cranes

Description <b>BUTT ASSY #290 6M</b>				Assembly No. <b>84054806</b> Revision: <b>F</b>
Item	FN	Part	Qty	Description
1	+	84054809	1	BUTT #290 6M
2	+	84054318	1	EQUALIZER ASSY
3	+	80112762	2	STOP BOOM #290
4		80106390	2	SHEAVE ASSY 26MM ROPE
		80106930	1	INCLUDES THE FOLLOWING PARTS BEARING ROLLER 190X130X79
5	+	80107141	1	SHEAVE ASSY CTWT #290BM
6		80107092	2	SHAFT 129.98 DIA X 145 LG
7	+	80107053	1	CATWALK #290 BUTT
8		80105997	2	PIN 99.9 DIA X 161.0 USE
9		1773632	1	PIN
10		5460500	2	NUT, HEX
11		5621100	8	PIN COTTER
12		5621490	1	PIN COTTER
13		5638710	2	PIN, SAFETY
14		6177650	2	SLOT RMS
15		7092030	2	F WASHER
16		84054423	4	PIN 2 HOLE
17		80104554	2	WEAR PAD 16X80X1218.3 MM
18		80105998	1	PLATE 12 MM
19		80106909	2	RETAINER 8 MM, 17.5 DIA HOLES
20		80107130	4	SPACER 8.0 X 158.8 X 131.0
21		80107140	1	PIN 25.0 DIA X 150 USE
22		80107161	4	SHIM 10 GA (0.134 IN)
23		81039079	1	ANGLE INDICATOR
24		7126191650	8	HHCS M10x45 -8.8 ISO 4014
25		7126241250	4	HHCS
26		7126241353	4	HHCS M16x30 -8.8 ISO 4017
27		7126241653	8	CAP SCREW, M16 X 45MM HEX HEAD
28		7661190003	8	NUT, HEX 10MM
29		7950080050	2	LOCKWASHER, 5/32" I.D.
30		7951190014	16	F WASHER 10
31		7951240015	16	F WASHER
32		7951480014	4	F WASHER 56 HST ISO 7089
33		80119803	1	PLATE 12mm ITEM 33 MAY BE TEMPORARILY SECURED ELSEWHERE TO PREVENT INTERFERENCE WITH ITEM 3 UNTIL ASSEMBLED TO ROTATING BED.
34	+	80121698	1	ESI BOOM BUTT PART NOT SHOWN

+ SEE FURTHER BREAKDOWN THIS GROUP

# Manitowoc Cranes

Description

**SHEAVE ASSY CTWT #290BM**

Assembly No.

**80107141**

Revision: **A**

Item	FN	Part	Qty	Description
1		<b>80103997</b>	1	SHEAVE 355 OD NYLON
2		<b>80107096</b>	1	AXLE CTWT SHEAVE
3		<b>80107250</b>	1	RETAINING RING EXT 90MM SHAFT

# Manitowoc Cranes

Description  
TOP #290 7M

Assembly No.  
80101590  
Revision: C

Item	FN	Part	Qty	Description
8		80104863	2	TUBE 50.8 OD x 4.0 W
9		80104864	2	TUBE 38.1 OD X 2.4 W
10		80104865	2	TUBE 38.1 OD X 2.4 W
11		80104866	2	TUBE 38.1 OD X 2.4 W
12		80104867	2	TUBE 38.1 OD X 2.4 W
13		80104868	2	TUBE 44.5 OD X 2.4 W
14		80104869	2	TUBE 38.1 OD X 2.4 W
15		80104870	2	TUBE 38.1 OD X 2.4 W
16		80104871	2	TUBE 38.1 OD X 2.4 W
17		80104872	2	TUBE 38.1 OD X 2.4 W
18		80104873	2	TUBE 38.1 OD X 2.4 W
19		80104874	2	TUBE 1.75 OD X .120 W (IN)
24		80104963	2	TUBE 44.5 OD X 2.4 W
25		80104965	2	TUBE 44.5 OD X 2.4 W
26		80104967	2	TUBE 44.5 OD X 2.4 W
27		80104968	2	TUBE 44.5 OD X 2.4 W
28		80104969	2	TUBE 44.5 OD X 2.4 W
29		80104970	2	TUBE 44.5 OD X 7.1 W
30		80104971	1	TUBE 44.5 OD X 2.4 W
31		80104989	1	TUBE 44.5 OD X 2.4 W
32		80104990	1	TUBE 44.5 OD X 2.4 W
33		80104991	1	TUBE 44.5 OD X 2.4 W
34		80104992	1	TUBE 44.5 OD X 2.4 W
35		80104993	1	TUBE 44.5 OD X 2.4 W
36		80104994	1	TUBE 44.5 OD X 2.4 W
37		80104995	1	TUBE 44.5 OD X 2.4 W
38		80104996	1	TUBE 44.5 OD X 2.4 W
39		80104997	1	TUBE 1.75 OD X .120W (IN)
40		80104998	1	TUBE 44.5 OD X 2.4 W
41		80104999	1	TUBE 38.1 OD X 2.4 W
42		80105000	1	TUBE 38.1 OD X 2.4 W
43		80105064	1	TUBE 38.1 OD X 2.4 W
44		80105066	1	TUBE 38.1 OD X 2.4 W
45		80105067	1	TUBE 38.1 OD X 2.4 W
46		80105068	1	TUBE 38.1 OD X 2.4 W
47		80105069	1	TUBE 38.1 OD X 2.4 W
48		80105071	1	TUBE 38.1 OD X 2.4 W

# Manitowoc Cranes

Description

**DECAL KIT BOOM INSERT**

Assembly No.

**80115699**

Revision: **A**

Item	FN	Part	Qty	Description
200		<b>81007341</b>	4	DECAL-LIFT POINT
201		<b>147852</b>	2	DECAL-DANGER-BOOM HAZARD

# Manitowoc Cranes

Description

**DECAL KIT BOOM INSERT**

Assembly No.

**80115699**

Revision: **A**

Item	FN	Part	Qty	Description
200		<b>81007341</b>	4	DECAL-LIFT POINT
201		<b>147852</b>	2	DECAL-DANGER-BOOM HAZARD

# Manitowoc Cranes

Description  
INSERT #290 12M

Assembly No.  
80101581  
Revision: D

Item	FN	Part	Qty	Description
5		80102813	4	TUBE 44.45 OD X 2.42 W
6		80102815	4	TUBE 44.45 OD X 2.42 W
7		80102816	32	TUBE 44.45 OD X 2.42 W
8		80102817	32	TUBE 38.1 OD X 2.42 W
9		80102818	2	TUBE 44.45 OD X 2.42 W

# Manitowoc Cranes

Description  
**INSERT #290 12M**

Assembly No.  
**80101581**  
Revision: **D**

Item	FN	Part	Qty	Description
5		<b>80102813</b>	4	TUBE 44.45 OD X 2.42 W
6		<b>80102815</b>	4	TUBE 44.45 OD X 2.42 W
7		<b>80102816</b>	32	TUBE 44.45 OD X 2.42 W
8		<b>80102817</b>	32	TUBE 38.1 OD X 2.42 W
9		<b>80102818</b>	2	TUBE 44.45 OD X 2.42 W

# Manitowoc Cranes

Description  
ESI UPPER POINT

**Assembly No.**  
**80107810**  
Revision: **C**

Item	FN	Part	Qty	Description
1		6670050	15	STRAP
2		80074783	1	PIN, A2B
3	+	80091847	1	SWITCH ASSY. ATB, W/DUST CAP
4		80104433	1	CLAMP .312 DIA
6		80118740	1	WIRING HARNESS WBU1
7		7126171153	1	HHCS M8X20 8.8 ISO 4017
9		7660151601	1	HEX LOCK NUT 5/16-18UNC
10		7950170050	1	WASHER, LOCK 7/16" I.D.
11		7126171754	2	SHCS M8x50 -8.8 ISO 4762

+ SEE FURTHER BREAKDOWN THIS GROUP

# Manitowoc Cranes

Description  
**A2B ASSY**

**Assembly No.**  
**80119795**  
 Revision: **A**

Item	FN	Part	Qty	Description
1	+	<b>80075460</b>	1	WEIGHT-LMI A2B
2		<b>3341010</b>	6	CHAIN
3		<b>6246330</b>	2	SHACKLE REF PARTS BOX 84054316 OR 80124069

+ SEE FURTHER BREAKDOWN THIS GROUP

# Manitowoc Cranes

Alphabetical Index	Appendix A	
Description	Part	Page
CLAMP, WORM DRIVE	3453370	145
CLIP	3490060 9914100044	77, 249, 339 137
CLIP NUT 10-32	80038109	15
CLIP RETAINING	80108727	161, 163, 173
CLOSURE	3503380	53
CLOSURE PLUG DOME	3503330	67, 84
COIL, CONDENSER	90018841	287
COIL, EVAPORATOR HIGH-OUTPUT	90041483	33
COLLAR 131.5 ID X 8MM THK	80106364	343
COLLAR 52.0 MM ID	84054367	133
CONNECTOR MALE 3-POLE DEUTSCH	3643870	185, 253, 255
CONNECTOR PLATE	A125970	207
CONNECTOR, GRIP CORD 7/16" BO	4716820	185, 253, 255
CONNECTOR, 2 POLE SHROUD	3642210	77
CONNECTOR, GROUND DISTRIBUTION	7346100004	73
CONSOLE CONTROL ASSY CAB	80117809	5
CONSOLE LEFT HAND ASSY	80102336	47
CONSOLE LEFT HAND MOLDED	80123369	61
CONSOLE OVERHEAD ASSY	80102334	47
CONSOLE REAR ASSY	80102338	47
CONSOLE RIGHT HAND ASSY	80117366	47
CONSOLE RIGHT HAND MOLDED	80104278	53
CONTROLLER	80050812 A030150	61 61
CONTROLLER IOL	80069037	249
CONTROLLER IOS	80069036	87
CONTROLLER, JOYSTICK	A024680	61
COOLER HYDR	80101804	206
CORD, GRIP STRAIN RELIEF	4716940	245
COUNTERWEIGHT CARBODY BOX	80106268	321
COUNTERWEIGHT TRAY MACHINING	80116577	175
COUNTERWEIGHT UPPER BOX	80103743	151, 175
COUPLING, DUST CAP	3753040	209
COUPLING, PLUG	3753030	209
COVER	810339312	313
COVER - CAB DOOR LATCH	80081856	15
COVER ACCESS	A184912	209
COVER ASSY FUEL FILL	80108789	158
COVER ASSY. PLENUM R/T	90041496	34

From - CLAMP, WORM DRIVE

To - COVER ASSY. PLENUM R/T

# Manitowoc Cranes

Alphabetical Index	Appendix A	
Description	Part	Page
HINGE DOOR TYPE B	80108373	161, 163, 173
HINGE SURFACE MOUNT 75X100	80107811	157
HINGE, RIGHT HAND NYLON	7519000199	83
HO ASY, 11/16-16X3/8 I.D. X 01	7555201800	227
HOIST ASSY BOOM HOIST	84054261	179
HOIST ASSY DRUM 1 FF	84054282	189
	84054328	187
HOIST ASSY DRUM 2 FF	84054285	193
	84054329	187
HOIST ASSY DRUM 3	84054290	197
HOLDER, CUP	152983	83
HOOK	A192300	84
HORN	7025800003	39
HOSE	7566500600	209
	810249410	145
	90032492	34
HOSE - USE 9543100045	7543000685	39
HOSE ASSEMBLY 1/2" ORFS	7555313560	225
HOSE ASSY	7555202281	309
	7555302361	225
	7555302782	309
HOSE ASSY .31 ID	80109244	289
HOSE ASSY .38 ID X 35.00 LG	7555203500	227
HOSE ASSY .41 ID	80109245	289
HOSE ASSY .50 ID	80109246	289
HOSE ASSY 1.00 X 40 STR/90	7555604001	230
HOSE ASSY -10ID X 124 LG	7555412400	226
HOSE ASSY -10ID X 140 LG	7555414000	226
HOSE ASSY -12 ID X 2670 LG	80118382	215
HOSE ASSY -12 X 1070 LG	80111161	191
HOSE ASSY -12 X 1120 LG	80115062	191
HOSE ASSY -12 X 1500 LG	80115061	195
HOSE ASSY -12 X 19 LG	7555501903	206
HOSE ASSY -12 X 2320 LG	80112207	226
HOSE ASSY -12 X 2365 LG	80112208	226
HOSE ASSY -12 X 760 LG	80111120	195
HOSE ASSY -12 X 860 LG	80111237	230
HOSE ASSY -16 ID X 101 LG	7573610104	214
HOSE ASSY -16 ID X 103 LG	7573610304	214
HOSE ASSY -16 ID X 105 LG	7573610542	214
HOSE ASSY -16 ID X 106 LG	7573610642	214

From - HINGE DOOR TYPE B

To - HOSE ASSY -16 ID X 106 LG

# Manitowoc Cranes

<b>Alphabetical Index</b>	<b>Appendix A</b>	
Description	Part	Page
PLATE 6.4X48X70	80121830	271
PLATE ADAPTER TORQUE	80102234	275
PLATE ASSY. REAR	90018858	33
PLATE BATTERY HOLD	80110986	271
PLATE BEARING PLATFORM	80105552	119, 121, 127
PLATE BOLTING	80109300	158
	80115302	291
PLATE BUBBLE LEVEL	80123300	84
PLATE BUMPER	80109301	158
PLATE- CAB BULKHEAD COVER	80104225	41
	80104227	41
PLATE- CAB RIGHT SIDE	80104233	41
PLATE CRANE ID MFG IN SG	80102744	93
PLATE DOOR RETAINER	80108775	158, 171
PLATE KEEPER	A002012	181
PLATE KEEPER 10mm(.394in)THICK	A01935	134
PLATE KEEPER ZINC OOMAPI001	A017540	134
PLATE LATCH ACTUATOR	80041878	15
PLATE PALTFORM	80113464	119, 127
PLATE- PEDAL PLATE COVER	80104280	43
PLATE PLATFORM	80107512	117
	80107513	117
	80113465	121
PLATE SETUP REMOTE	80107603	245
PLATE SPRING GUIDE	80116271	333
PLATE STORAGE DOOR	80120275	83
	80120276	83
PLATE VALVE MOUNTING	80101773	209
PLATE ZINC PRIMER KEEPER	A078400	331
PLATE, ABS BLOCK	90041495	34
PLATE, ACTUATOR MTG.	90041492	33
PLATE, FILTER	90041493	34
PLATE, MOUNTING	80016487	41
	80016489	41
PLATE, MOUNTING SEAT BASE	90041484	33
PLATE, TOP	90041487	33
PLATFORM ASSY 774 MM	80114489	115
PLATFORM ASSY 782 MM	80105553	117
PLATFORM ASSY 935 MM	80105550	117, 123
PLATFORM ASSY CAB	80104559	123
PLATFORM CAB	80104560	125

From - PLATE 6.4X48X70

To - PLATFORM CAB

# Manitowoc Cranes

Alphabetical Index	Appendix A	
Description	Part	Page
TUBE ROUND	810269280	111, 181
TUBE, PREFORMED	A110300	209
TUBING	810070200	185, 253, 255
TUBING, HEAT SHRINK 1/2" I.D.	8594100257	27
TUBING, POLYOLEFIN	A197740	245
TUMBLER MACHINING	84054345	315
U-BOLDT .25-2OUNC 1.25 ID SS	80105532	49
U-BOLT .375-16 X 2.0 SQUARE	80104840	61
U-BOLT 2 IN X 3 IN AL	80109299	158
U-BOLT 3/8-16, 6 x 8.63 SS	80115314	310
U-BOLT COATED 1.50 PIPE	80101817	359, 361, 371, 379, 381, 389, 391
UPPER POINT MACHINING	80107127	393
VALVE	7019160	281
	7019170	281
	90041250	33
VALVE 1/4 NPT DRAIN	80112226	209
VALVE 4 BAR-32CD61 1000LPM	80103344	206
VALVE 8 SECTION	80101630	215
VALVE ASSEMBLY, BUTTERFLY VALV	A151190	209
VALVE ASSY QUICK DRAIN	810249430	141
VALVE CHECK -100RFS X -100RB	84037611	227
VALVE CHECK -120RFS X -120RB	84037612	207
VALVE CHECK -160RBX-160RFS	84037619	230
VALVE CHECK -60RFS X -60RB	84037609	199, 227
VALVE CHECK -80RBX-80RFS	84037616	227
VALVE CHECK ZINGA LRV-11-60	81025936	226
VALVE CHECK/BYPASS ORFICE	80116753	226
VALVE FLOW CONTROL 0.8 GPM	80118274	227
VALVE FLOW CONTROL 10 LPM	80108145	226
VALVE FREEFALL	80101869	230
VALVE HIGH PRESS ACCESSORY	80116266	226
VALVE HOT OIL SHUTTLE	81042500	310
VALVE LOW PRESSURE ACC	84055010	227
VALVE P REDUCING/RELIEVING	80118259	227
VALVE RELIEF 250PSI	80116366	207
VALVE THERM BYPASS	80117088	230
VALVE, CHECK	A030720	209
VALVE, CHECK WASHER	A019720	89
VISOR, SUN, ADJUSTABLE,ACRYLIC	2981410	101

From - TUBE ROUND

To - VISOR, SUN, ADJUSTABLE,ACRYLIC

# Manitowoc Cranes

Numeric Index		Appendix B
Part	Description	Page
7113850	F WASHER	103
7114280	WASHER, FLAT SHIM	277
7114320	WASHER	243
7114330	WASHER	54, 61, 87, 243
7115140550	HHCS 1/4-20UNCX0.63 G5	67, 83, 161, 163, 173
7115140650	HHCS 1/4-20UNCX0.75 G5	229, 287
7115140678	HSERFLGS 1/4-20UNCX0.75 G5	273
7115140850	HHCS 1/4-20UNCX1.00 G5	5
7115141050	HHCS 1/4-20UNCX1.25 G5	15
7115155464	C BOLT	337
7115160650	HHCS 3/8-16UNCX0.75 G5	15, 39
7115160850	HHCS 3/8-16UNCX1 G5	15, 229
7115160879	HFlgS 3/8-16UNCx1 G5	273
7115161050	HHCS 3/8-16UNCX1.25 G5	243
7115162250	HHCS 3/8-16UNCx2.75 G5	213
7115181050	HHCS 1/2-13UNC X 1.25 GR5	309
7121091101	SCREW, MACHINE M3X20 - 4.8	87
7121110801	MACHINE SCREW, M4X12 SLOTTED	12
7121111101	MACHINE SCREW, M4X20 SLOTTED	12, 87
7121151001	SLOT, PMS M6X16	84
7121151101	Slot PMS M6x20 -4.8 ISO 1580	61
7121151201	SLOT, PMS M6X25	84
7123130918	SBCS M5x14 A2 ISO 7380	161, 163, 173
7123131118	SBHCS M5x20 A2-70 ISO 7380	157, 171
7126091100	Slot FMS M3x20 -8.8 ISO 2009	73
7126111053	HHCS M4X16 8.8 ISO 4017	45
7126111253	HHCS M4x25 -8.8 ISO 4017	73
7126131153	HHCS M5x20 -8.8 ISO 4017	249, 339
7126131654	SHCS M5x45 -8.8 ISO 4762	181, 249
7126150853	CAP SCREW, M6X12 HEX HEAD	243
7126151053	CAP SCREW, M6 X 16MM HEX HEAD	12, 47, 249
7126151150	CAP SCREW, M6X20 HEX HEAD	343, 367, 373, 383
7126151153	HHCS M6X20 SS ISO 4017	41, 67, 71, 89, 285
7126151154	SHCS M6X20 - 8.8	157, 169, 171
7126151253	HHCS M6X25 8.8 FLZN 4017	12, 73
7126151553	HHCS	73
7126151650	CAP SCREW, M6 X 45MM HEX HEAD	11
7126151753	CAP SCREW,M6X50 -8.8 ISO 4017	157, 167, 227
7126151853	HHCS FULL THREAD	249, 309

From - 7113850

To - 7126151853

# Manitowoc Cranes

Numeric Index		Appendix B
Part	Description	Page
7755025002	O-RING	205, 206, 229
7755906002	O-RING	199, 205, 213, 223, 309
7755908002	O-RING	191, 195, 205, 213, 223, 224, 309
7755910002	O-RING	217, 224
7755912002	O-RING	191, 195, 199, 205, 213, 216, 224, 225, 229
7755916002	O-RING	205, 214, 225, 229, 230, 309
7755920002	O-RING	206, 229
7785241200	HSSS CUP 7/8-9 X 0.75	175
7787192510	GRUB SCREW M10 X 25MM	83
7790161253	HEX TAP SCREW 3/8-16UNCX0.75"	12
7822000080	SLEEVE	15
7826000087	SOCKET, 16-14 GA	34
7826000626	SOCKET,	27
7826000641	SOCKET, 3/4" OPEN WEDGE	134
7834100003	SPRING	15
7850000046	STRAP, GROUND	39
7850000175	TIE, CABLE (BLACK)	309
7850000208	CABLE TIE, BLACK	27
7860000214	SEAL ASSY	11
7872100174	SWITCH,L-SER 24V WNDSHLD WIPER	49
7872100189	SWITCH, TRAVEL SPEED	54
7872100190	SWITCH, PARK BRAKE	53, 233
7872100191	SWITCH, PANEL LIGHTS	49
7872100192	SWITCH, WORK LIGHTS	49
7872100194	SWITCH, MAST ARMS	54
7892000824	RECEPTACLE DT04-6P(W6P)	25
7892000947	RECEPTACLE,	34
7892000949	RECEPT (2P) THIN	49
7949000148	WASHER, 5/8" I.D. FLAT	3
7949000558	WASHER	134
7949000561	WASHER, .450 I.D. NYLON FLAT	15
7949000623	WASHER, BLACK PLASTIC	15
7949001186	WASHER, BLACK NYLON	83
7950040053	WASHER LOCK #4 SS B18.21.1	87
7950060050	LOCK WASHER #6	83
7950060141	WASHER, #6 I.D.	84
7950080050	LOCKWASHER, 5/32" I.D.	12, 41, 325

From - 7755025002

To - 7950080050

# Manitowoc Cranes

Numeric Index		Appendix B
Part	Description	Page
80106394	PIN 66.0 DIA X 140.5 LG	141
80106455	COVER, LH UPPER CONSOLE	83
80106456	COVER, LH UPPER CONSOLE	83
80106489	WELDMENT, FUSE PLATE	87
80106665	COVER, REAR ELEC UPPER	83
80106668	COVER, RADIO SHELF	83
80106679	BRACKET WELDMENT SUPPORT	215
80106705	WIRING HARNESS WCO1	49
80106797	BRACKET THROTTLE MOUNTING	61
80106865	RIVET .25 DIA (IN)	343
80106871	FITNG STRAIGHT M18 ISO6149 -60	215
80106901	COVER, RH UPPER CONSOLE	83
80106909	RETAINER 8 MM, 17.5 DIA HOLES	325, 343
80106911	SPACER 141.00X127.13X161.0	343
80106912	RETAINER 12MM, 17.5DIA HOLES	343
80106919	DOME LIGHT	49
80106930	BEARING ROLLER 190X130X79	325, 343
80106960	COVER, CAB UPPER LEFT	83
80107032	CATWALK 120.7MM X 1923.8MM	337
80107034	CATWALK 120.7MM X 752.2MM	337
80107053	CATWALK #290 BUTT	325
80107092	SHAFT 129.98 DIA X 145 LG	325
80107096	AXLE CTWT SHEAVE	335
80107118	SHOCK MOUNT M8 X 1.25	206
80107123	TUBE 50.8X4.0 MM	393
80107126	PLATE 12 MM	393
80107127	UPPER POINT MACHINING	393
80107129	SHAFT 141.0 DIA X 302.2 LG	393
80107130	SPACER 8.0 X 158.8 X 131.0	325
80107135	PLATE 3.2 MM	359, 371, 381, 391
80107137	HOSE ASSY SUCTION	206
80107139	STOP SEAT RISER	77
80107140	PIN 25.0 DIA X 150 USE	325
80107141	SHEAVE ASSY CTWT #290BM	325
80107161	SHIM 10 GA (0.134 IN)	325
80107163	HOSE ASSY -16 X 4700 LG	206
80107172	HOSE ASSY -32 X 510 LG	206
80107174	HOSE ASSY -32 X 675 LG	206
80107175	HOSE ASSY -24 X 1600 LG	206

From - 80106394

To - 80107175

# Manitowoc Cranes

Numeric Index		Appendix B
Part	Description	Page
810160930	FLANGE SPLIT CODE 61	199, 215
810160960	FLANGE SPLIT CODE 61	207
810161270	SWITCH, LIMIT	185, 253, 255
810161360	SWITCH, LEVER ARM FIXED	181, 250
810165950	PIN SAFETY	157, 167
81016691	F WASHER	337
810168362	SUPPORT	337
810169890	SWITCH TOGGLE	245
810173790	SLEEVE PROTECTIVE .25-2 ID X 8	207
810182050	DECAL (EN) 29CFR 1926.1423	93
810185870	PHIL RMS, 10-32 X 0.50 SS	69
810185910	PHIL RMS	87
810188410	DECAL FIRE EXTINGUISHER	93
810190690	STRIP RUBBER	285
810190710	STRIP RUBBER	167
810196970	F WASHER	49
81019943	CYLINDER HYDR	181
81020551	PIN 1 HOLE W/HD	133
810209672	BRACKET	53
81021008	PIN 2 HOLE	181
81021804	FITTING PLUG SOCKET HEX	199
810219110	PHIL TMS	61
81021918	FLANGE	215
810223780	TUBE ROUND	111
810224040	DECAL CAUTION HYDRAULIC TANK F	97
810224591	CRAWLER ADJUSTMENT ROD	313
810230470	BATTERY	73
810234500	FITTING ADAPTER STRAIGHT	191, 195
810238652	SWITCH LIMIT ASSY	181, 249
810239320	ELECCONNECT M31HD36-24-31PE-072	245
810241160	CAP DUST SIZE 24	245
810244830	CIRCUIT BREAKER 10A 24V	69
81024484	CIRCUIT BREAKER 15A 24V	69
810244850	CIRCUIT BREAKER 25A 24V	69
81024487	FUSE BOX ATC 20 1 BUS	69
810244880	FILTER HYD RETURN TO TANK	209
810247150	RELAY 24V 10A	67
810248670	CAP DUST	87
810249210	PLUG	179, 189, 193

From - 810160930

To - 810249210

CLICK HERE TO **DOWNLOAD** THE COMPLETE MANUAL

- Thank you very much for reading the preview of the manual.
- You can download the complete manual from: [www.heydownloads.com](http://www.heydownloads.com) by clicking the link below



- Please note: If there is no response to CLICKING the link, please download this PDF first and then click on it.

CLICK HERE TO **DOWNLOAD** THE COMPLETE MANUAL