

# Manitowoc Cranes MACHINE COMPONENT INDEX

Date: September 01, 2022

Rev:

<u>Model Number</u> MLC100-1		<u>Serial Number</u> 91001076	
Item	Part	Description	Page
1	<b>84054265</b>	<b>ROTATING STRUCTURE</b> CAB INSTL CAB MOUNTING ASSY	3
	<b>80123265</b>	CAB ASSY 24V CCS	5
	<b>80103175</b>	CAB ASSY 24V CCS PURCHASED	7
	<b>80113644</b>	CAB - SUB ASSY 24V CRAWLER	11
	<b>80103172</b>	GLASS DOOR ASSEMBLY	17
	<b>80071856</b>	WINDOW ASSY. RH SIDE	21
	<b>90039109</b>	GLASS ASSY. SLIDING	23
	<b>90039110</b>	GLASS ASSY. FIXED	25
	<b>80142662</b>	LIGHT ASSEMBLY-LED FLOOD	
	<b>80004449</b>	KIT - FRONT WIPER (24 VOLT) (COMPLETE ASSEMBLY)	27
	<b>80124600</b>	WORK LIGHT HA - JUMPER	29
	<b>80102531</b>	HEATER & AC INSTALL CAB 24V	31
	<b>80089969</b>	KIT - 24V HEATER/COOL	35
	<b>80104074</b>	CAB ACOUSTICS INSTALLATION	39
	<b>80104075</b>	MISC CAB COMPONENTS INSTALL	41
	<b>80104188</b>	INSTL, CAB BRACKETS	43
	<b>80104189</b>	INSTL, CAB PEDAL GROUP	45
	<b>80079452</b>	PLUG INSTALLATION	47
	<b>80123879</b>	CONSOLE CONTROL ASSY CAB	49
	<b>80102334</b>	CONSOLE OVERHEAD ASSY	51
	<b>80123880</b>	CONSOLE RIGHT HAND ASSY	53
	<b>84054782</b>	DISPLAY CCS COLOR	57
	<b>80123881</b>	CONSOLE LEFT HAND ASSY	59
	<b>A024680</b>	CONTROLLER, JOYSTICK	61
	<b>80102338</b>	CONSOLE REAR ASSY	65
	<b>80107986</b>	PANEL ASSY ELEC REAR CAB UPPER	67
	<b>80107988</b>	PANEL ASSY ELEC REAR CAB LOWER	69
	<b>80107991</b>	PANEL ASSY ELEC REAR CAB INNER	71
	<b>A02019</b>	FOOT PEDAL ASSY THROTTLE CONTR	73
	<b>80123266</b>	SEAT ASSY CAB	75
	<b>84055200</b>	INSTL, CAB INTERIOR	81
	<b>80120620</b>	ESI CAB INTERIOR WIRING	85

CLICK HERE TO **DOWNLOAD** THE COMPLETE MANUAL

- Thank you very much for reading the preview of the manual.
- You can download the complete manual from: [www.heydownloads.com](http://www.heydownloads.com) by clicking the link below



- Please note: If there is no response to CLICKING the link, please download this PDF first and then click on it.

CLICK HERE TO **DOWNLOAD** THE COMPLETE MANUAL

# Manitowoc Cranes

Description

**CAB INSTL CAB MOUNTING ASSY**

**Assembly No.**

**84054265**

Revision: **C**

Item	FN	Part	Qty	Description
1	+	<b>80123265</b>	1	CAB ASSY 24V CCS
2		<b>5483450</b>	4	NUT, HEX LOCK
3	#	<b>7638000203</b>	4	MOUNT, SHOCK
4		<b>7949000148</b>	8	WASHER, 5/8" I.D. FLAT
5	+	<b>80108575</b>	1	WINDSHIELD WASHER ASSY

+ SEE FURTHER BREAKDOWN THIS GROUP

# SERVICED AS AN ASSEMBLY ONLY

# Manitowoc Cranes

Description

**CAB - SUB ASSY 24V CRAWLER**

Assembly No.

**80113644**

Revision: **G**

Item	FN	Part	Qty	Description
74	+	<b>80124600</b>	2	WORK LIGHT HA - JUMPER
75		<b>80099881</b>	2	90 DEG BLK STR
76		<b>80104186</b>	1	MAT, FLOOR
77		<b>80118984</b>	2	BRACKET

+ SEE FURTHER BREAKDOWN THIS GROUP

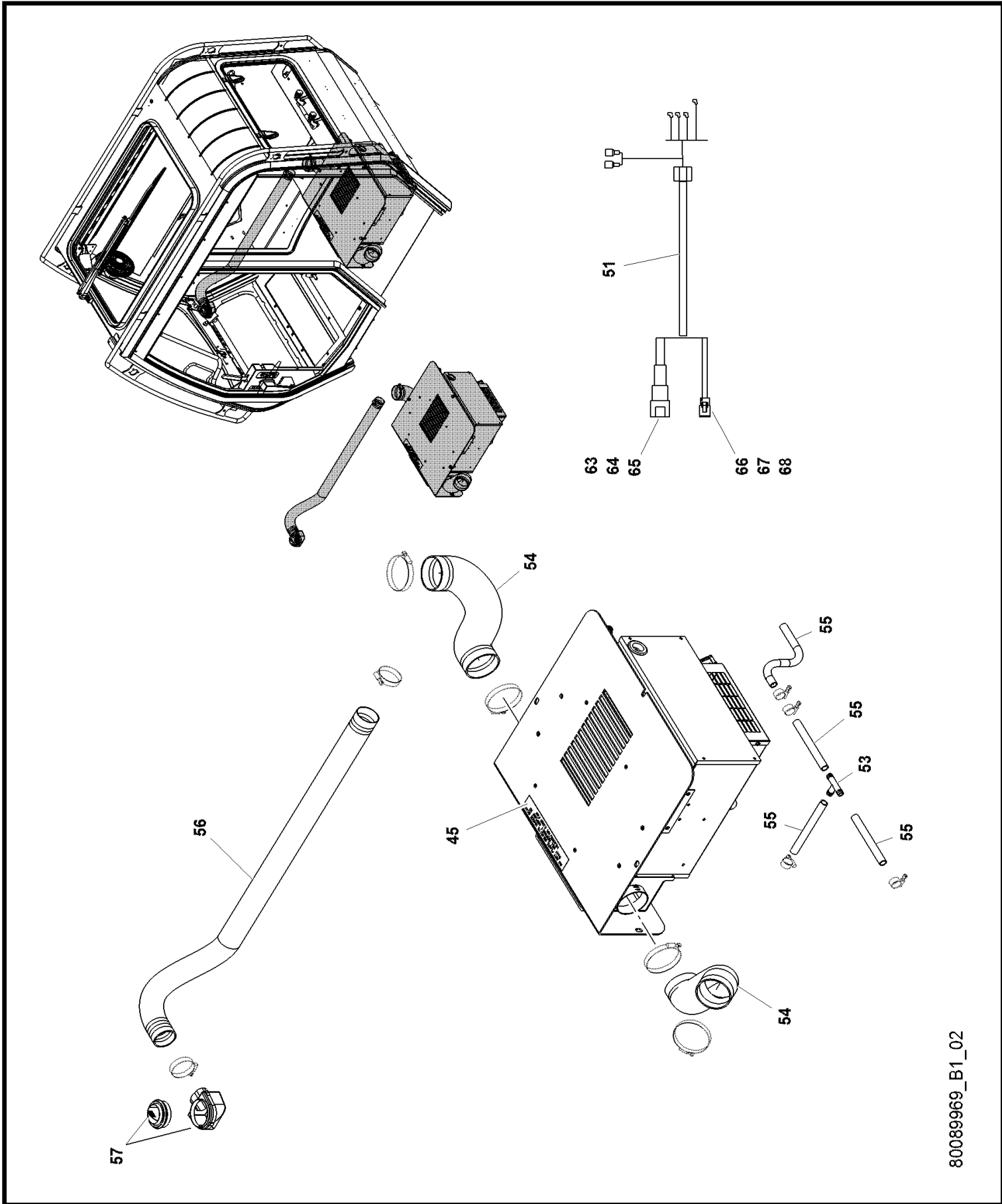
# Manitowoc Cranes

Description  
**GLASS ASSY. SLIDING**

Assembly No.  
**90039109**  
Revision:

Item	FN	Part	Qty	Description
1		<b>90038877</b>	1	GASKET, WEATHERFIN SEAL
2		<b>NSS</b>	1	NOT SERVICED SEPARATELY MOLDING, RUBBER
4		<b>NSS</b>	1	NOT SERVICED SEPARATELY GLASS, SLIDING
5		<b>90039115</b>	1	LATCH ASSY.

# Manitowoc Cranes



# Manitowoc Cranes

Description  
**INSTL, CAB BRACKETS**

**Assembly No.**  
**80104188**  
**Revision: B**

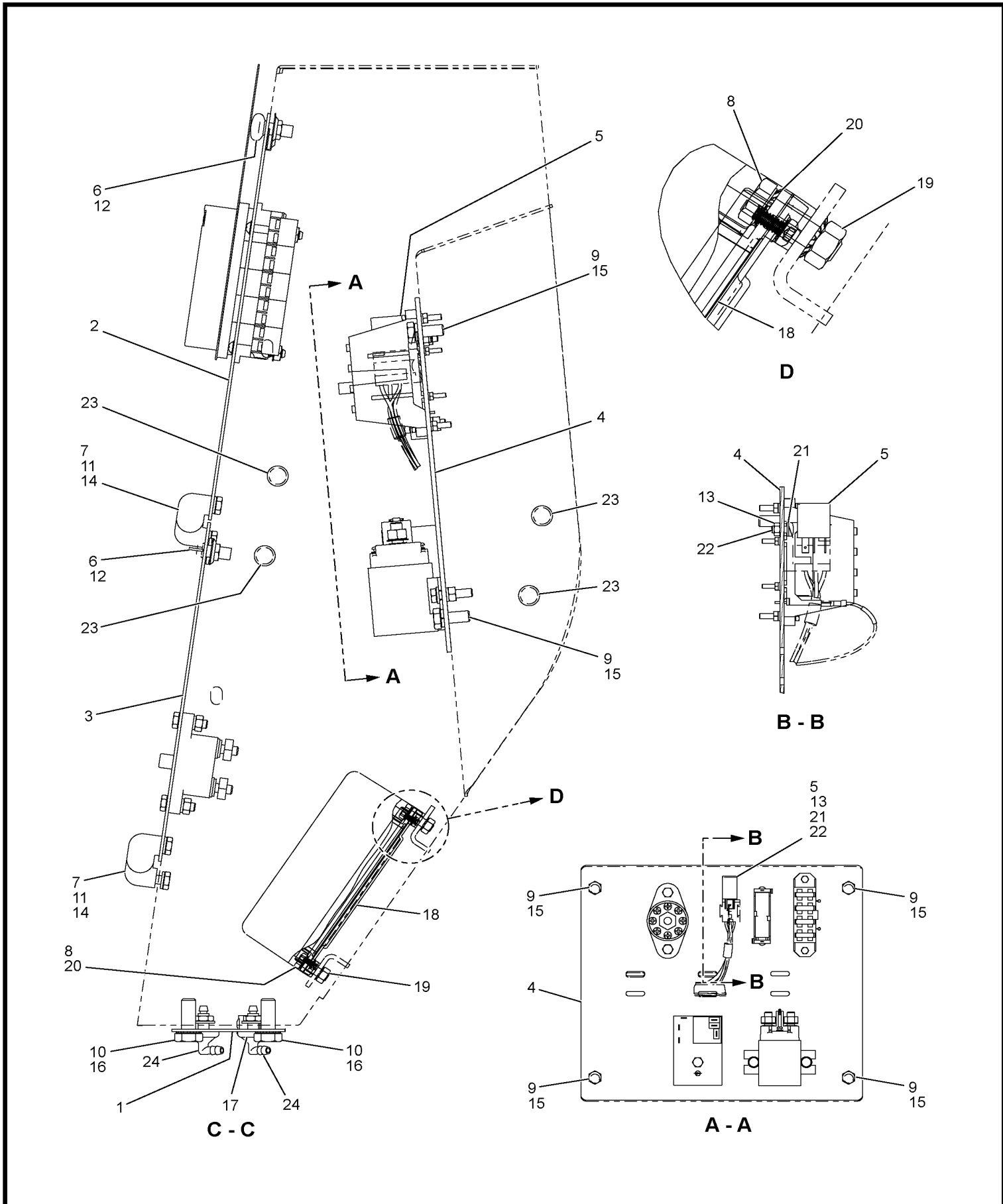
Item	FN	Part	Qty	Description
1		7111080610	3	SLOT RMS #8-32UNCX0.75 G1
2		7126151153	4	HHCS M6X20 SS ISO 4017
3		7126171153	6	HHCS M8X20 8.8 ISO 4017
4		7126191253	8	HHCS
6		7659190021	4	NUT CLIP M6-1.0 LONG
7		7660081100	3	HEX NUT #8-32UNC SAE-2
8		7950080050	3	LOCKWASHER, 5/32" I.D.
9		7950080161	3	FLATWASHER, 5/32" I.D.
10		7951150014	4	F WASHER
11		7951150210	4	LOCKWASHER, 6MM I.D.
12		7951170014	6	F WASHER
13		7951170210	6	L WASHER
14		7951190014	8	F WASHER 10
15		7951190210	8	LOCK WASHER, 10MM
16		80016487	1	PLATE, MOUNTING
17		80016489	1	PLATE, MOUNTING
18		80089973	1	PLATE - COVER
20		80104225	1	PLATE- CAB BULKHEAD COVER
22		80104227	1	PLATE- CAB BULKHEAD COVER
23		80104233	1	PLATE- CAB RIGHT SIDE
24		80104312	1	WELDMENT - LEVEL BUBBLE

# Manitowoc Cranes

<u>Description</u> <b>CONSOLE RIGHT HAND ASSY</b>				<b>Assembly No.</b> <b>80123880</b> Revision: <b>E</b>
Item	FN	Part	Qty	Description
1		80123297	1	CONSOLE RIGHT HAND MOLDED
2		80130282	1	PRINTED PANEL CONSOLE RH DISPL
3		80104827	1	PRINTED PANEL CONSOLE RH FRONT
4		80123294	1	PRINTED PANEL CONSOLE RH DRUMS
5		80124397	1	PRINTED PANEL CONSOLE RH REAR
6		80108390	1	PANEL RT CONSOLE RCPT
7		80124551	4	FASTENER M5 X 16 LG BLACK SS
8		80117810	1	ARM DISPLAY MOUNT SHORT
9		80130281	1	ARM DISPLAY MOUNT
10		810209672	1	BRACKET
11	+	84054782	2	DISPLAY CCS COLOR
12		7951110210	8	LOCKWASHER, 4MM I.D.
13		7128110754	8	SHCS M4X10 12.9 ISO 4762
14		6184180	3	PHIL TMS 10-32UNF X 0.50 GR 5
15		7950100450	3	L WASHER INT-T #10 REG HRC44-5
16		5468370	3	NUT, HEX HEAVY
17		80120595	1	JOYSTICK SINGLE AXIS 15 DEG L
18		80120596	1	JOYSTICK SINGLE AXIS 0 DEG C
19		810034210	10	PHIL TMS
20		7660102534	10	HEX LOCK NUT PA #10-32 UNF SS
21		03142615	1	JOG DIAL
22		7951150014	2	F WASHER
23		7951150220	2	L WASHER
24		7661150003	2	NUT, HEX
25		80122739	1	JOYSTICK SINGLE AXIS TRAVEL
26		A002600	1	RECEPTACLE
27		A096020	3	BASE, SWITCH MOUNTING
28		81037980	1	SWITCH PUSH BUTTON RED
29		A096000	1	SWITCH KEY 2 POS
30		3503380	2	CLOSURE
31		7364100182	1	BEZEL, L-SERIES
32		80126388	5	SWITCH ROCKER PARK DPDT
33		7242100005	4	PLUG, L SERIES LH1 PANEL
34		A095990	1	SWITCH KEY 3 POS
35		81035522	1	SWITCH MOMENTARY NO HORN
36		80106106	1	PLUG HOLE 1.63 ID HOLE RUBBER
37		7364100179	1	BEZEL, L-SERIES
38		80104823	1	RECEPTACLE USB DUAL PORT
39		7364100178	2	BEZEL, L-SERIES END PIECE LME

+ SEE FURTHER BREAKDOWN THIS GROUP

# Manitowoc Cranes



80102338

(SHEET 2 OF 2)

Page 63

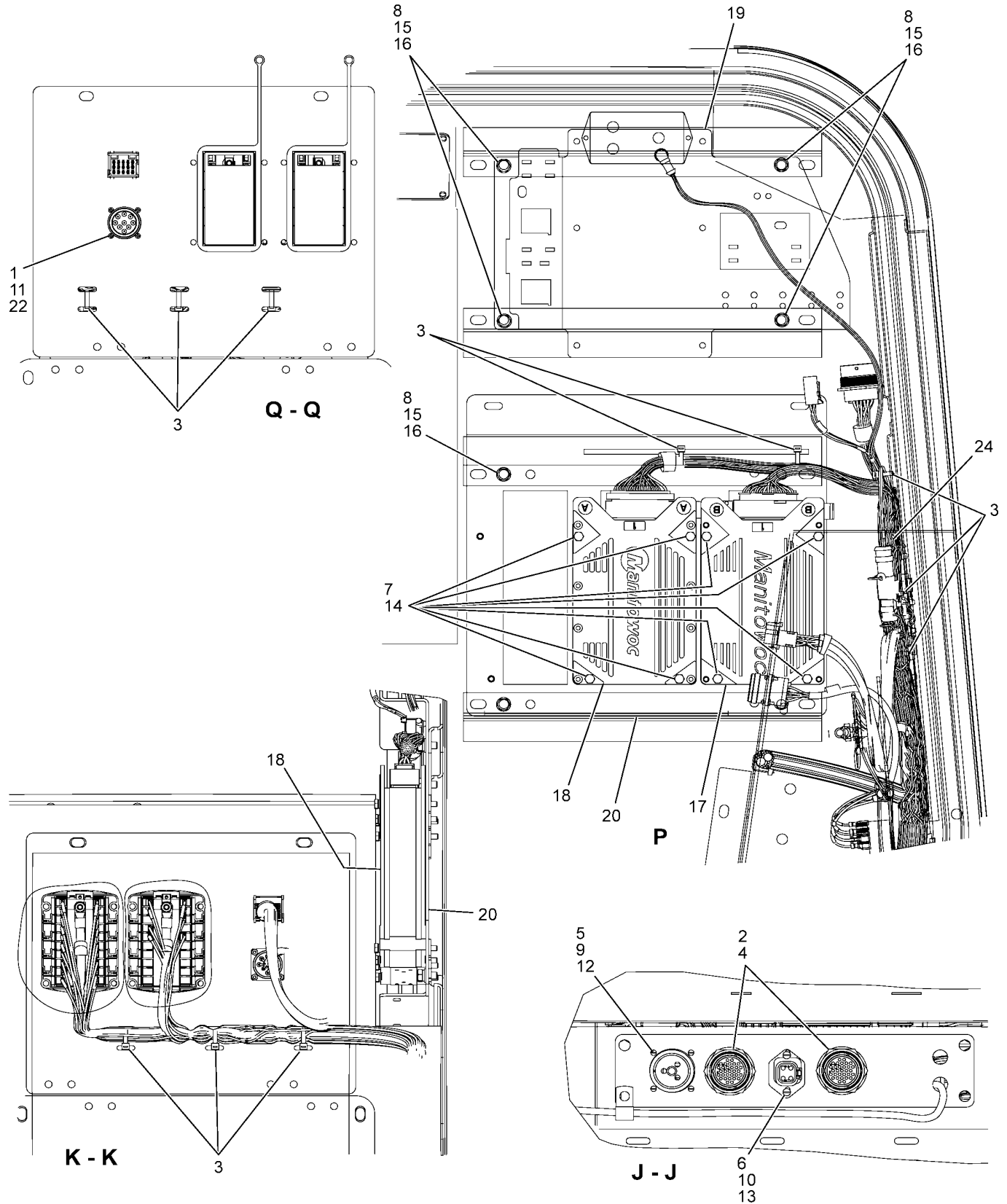
# Manitowoc Cranes

Description  
**FOOT PEDAL ASSY THROTTLE CONTR**

**Assembly No.**  
**A02019**  
**Revision: FA**

Item	FN	Part	Qty	Description
1		A020212	1	HOUSING FOOT PEDAL
2		A020232	1	PEDAL FOOT
3		A020242	1	SHAFT
4		A020252	1	SHAFT
5		6524940	1	SPRING
6		A020282	1	BRACKET
7		A023050	1	POTENTIOMETER
9		A029470	1	DIODE
10		2254890	2	BEARING
13		5485550	1	NUT, LOCK CONDUIT
14		5640380	2	PIN SPRING SLOT
15		5898710	1	RECEPTACLE
16		5948660	1	RESISTOR
17		6124520	2	HHCS 3/8-16UNC X 0.75 GR 5
18		6161640	2	SLOT FMS
21		6203550	1	HSSS CUP
22		6202240	1	HSSS CUP
25		7103040	2	L WASHER

# Manitowoc Cranes



# Manitowoc Cranes

Description

**DECAL KIT LOWERWORKS**

Assembly No.

**80115688**

Revision: **B**

Item	FN	Part	Qty	Description
15		<b>0987399</b>	4	DECAL(EN) WARNING CRUSH HAZARD
16		<b>A073390</b>	8	DECAL WARNING CRUSH HAZARD
29		<b>80109031</b>	1	DECAL RADIUS

# Manitowoc Cranes

Description

**DECAL KIT MLC100-1 NOMENCLATUR**

**Assembly No.**

**80115696**

Revision: **B**

Item	FN	Part	Qty	Description
13		<b>80111854</b>	1	DECAL DRUM IDENTIFICATION
18		<b>80111361</b>	1	DECAL MANITOWOC 26" WHITE
19		<b>80111339</b>	2	DECAL MLC100-1 32" WHITE
20		<b>810118460</b>	2	DECAL, MANITOWOC LOGO (40") W
21		<b>80110441</b>	1	DECAL MLC100-1 36" WHITE

# Manitowoc Cranes

Description

**PIN PULLER ASSY, CTWT**

**Assembly No.**

**80103734**

Revision: **B**

Item	FN	Part	Qty	Description
1		80119077	2	PIN 80.0 X 205.0 LG
2		80103736	1	BRACKET PIN PULLER
3		80103737	2	PLATE 10 MM
4		80103738	1	SHAFT PIN PULLER
5		80103740	2	BRACKET PIN PULLER
6		84054356	1	CYL HYD COUNTERWEIGHT PIN
7		7126171153	8	HHCS M8X20 8.8 ISO 4017
8		7126191353	2	HHCS
9		7661190004	4	NUT
10		7951190014	6	F WASHER 10

# Manitowoc Cranes

Description

**FRAME PLATFORM ASSY LEFT**

**Assembly No.**

**84054272**

Revision: **D**

Item	FN	Part	Qty	Description
4		80118307	1	FRAME ENCLOSURE LEFT
5	+	80104559	2	PLATFORM ASSY CAB
6		80104573	5	PIN 19.1X76.0
7		80104574	16	RETAINING RING 19.1X25.4
8		80104575	12	F WASHER ACETAL 19.1
9		80105547	2	PIN 19.1X105.0
10		80105548	1	PIN 19.1X41.0
11	+	80105550	2	PLATFORM ASSY 935 MM
12		80105592	5	PIN HITCH 12.7X127.0
15		7126192353	16	HHCS M10x80 -8.8 ISO 4017
16		7661190803	17	HEX LOCK NUT M10 -8 ISO 7040
17		7951210054	16	FLAT WASHER 12 100HV FLZN
18		80114242	8	GRATING 50.8X254X457X3.2 AL
19		7950160161	16	WASHER, FLAT WIDE 3/8
20		5503230	5	RING
21		81040330	8	F WASHER SHIM
22		81040328	4	F WASHER SHIM
23		7126171053	4	HHCS M8X16 SS ISO 4017
24		810077410	4	RUBBER BUMPER 19XM8X1.25X16

+ SEE FURTHER BREAKDOWN THIS GROUP

# Manitowoc Cranes

<u>Description</u> <b>GANTRY ASSY</b>				<b>Assembly No.</b> <b>84054245</b> Revision: H
Item	FN	Part	Qty	Description
1		1772809	4	PIN
2		1934832	2	PIN 2 HOLE
3		1962972	2	PIN
4		4290000	2	FITTING, GREASE
5		5620870	4	PIN COTTER
6		5621050	2	PIN COTTER
7		5621080	1	PIN COTTER
8		5621100	4	PIN COTTER
9		5621500	2	PIN COTTER
10		5621510	8	PIN, COTTER
11		5621520	2	PIN COTTER, 3/8 DIA X 4.00 LG
12		5621710	2	PIN COTTER
13		80101859	2	CYL HYDR GANTRY RAISING
14		80103565	1	LOAD CELL LINK 10,500 KGS
15		80104652	1	GANTRY
16		80106161	1	BRACKET GUARD WIRE ROPE
17		80106337	5	SHEAVE ASSY 19 MM 584.0 OD
18		81009755	2	PIN 1 HOLE W/HD 58.5DIA X 55.2
19		81020551	2	PIN 1 HOLE W/HD
20		810282382	2	PIN SAFETY
21		81034188	1	PIN 1 HOLE W/HD 35.0 DIA X 70.
22		81034257	2	BLOCK NYLON
23		84036940	4	WASHER 100.0 X 60.0 X 3.0
24		84054247	1	SHAFT 99.96 DIA X 388.0 LG
25		80123282	2	BACKHITCH WELD LWR
26		80114007	2	BACKHITCH WELD UPR
27		84054365	2	LINK GANTRY CTWT
28		84054367	2	COLLAR 52.0 MM ID
29		84054368	2	LINK CROSS
30		84054371	2	SHIM 1.9 MM
31		84054372	2	TUBE 63.5 X 3.0
32		84054373	4	TUBE 69.9 X 3.0
33		84054374	4	PIN 2 HOLE 57.2 DIA X 64.0 LG
34		84054376	2	PIN WITH HEAD 50.8 X 57.5 LG
35		84054377	2	LINK CROSS
36		84054380	2	KEEPER PIN 57.2 DIA X 104.0 LG
37		84054381	2	LINK GANTRY CTWT
38		7126211353	4	HHCS
39		7126241453	4	HHCS M16x35 -8.8 ISO 4017

# Manitowoc Cranes

Description  
**JACK CYLINDER**

**Assembly No.**  
**3856530**  
Revision: E

Item	FN	Part	Qty	Description
1		9372220367	1	SPRING
2		3854495	1	KIT, PACKING PART NOT SHOWN

# Manitowoc Cranes

Description  
ENCLOSURE ASSY

**Assembly No.**  
**84054267**  
Revision: F

Item	FN	Part	Qty	Description
1		7126191453	27	HHCS M10X35 8.8 FLZN 4017
2		7661190803	34	HEX LOCK NUT M10 -8 ISO 7040
3		7951190054	69	FLAT WASHER 10 100HV FLZ
4	+	80120544	1	ENCLOSURE RIGHT
5	+	84054269	1	ENCLOSURE ASSY LEFT
6		6637007001	2	MOLDING - USE 9637100001 QTY 1 MOULDING 1 FOOT
9		7126191353	8	HHCS
14		80113994	2	PLATE 2.7X142X300

+ SEE FURTHER BREAKDOWN THIS GROUP

# Manitowoc Cranes

Description  
**DOOR ASSY**

**Assembly No.**  
**80114094**  
Revision: **A**

Item	FN	Part	Qty	Description
1		6637037003	2	MOULDING - USE 8246964300 QTY 3 MOULDING 3 FEET
2		6637037006	1	CHANNEL, BULB USE 8246964300 QTY 6 CHANNEL 6 FEET
3		7115140550	4	HHCS 1/4-20UNCX0.63 G5
4		7123130918	14	SBCS M5x14 A2 ISO 7380
5		7661130803	14	LOCKNUT
6		7690021210	2	PIN, 3/32" X 3/4" LONG COTTER
7		7951130014	14	F WASHER 5 ST ISO 7089
8		80108372	1	HINGE DOOR TYPE A
9		80108373	1	HINGE DOOR TYPE B
10		80114095	1	DOOR PANEL WELD
11		80108649	1	LATCH PADDLE 2 POINT
12		80108723	1	LATCH ROTARY RH
13		80108724	1	LATCH ROTARY LH
14		80108725	1	BRACKET MOUNTING RH
15		80108726	1	BRACKET MOUNTING LH
16		80108727	2	CLIP RETAINING
17		80108729	2	CABLE CONTROL LATCH

# Manitowoc Cranes

<u>Description</u> <b>DOOR ASSY</b>				<b>Assembly No.</b> <b>80108370</b> Revision: <b>A</b>
Item	FN	Part	Qty	Description
1		<b>6637037003</b>	2	MOULDING - USE 8246964300 QTY 3 MOULDING 3 FEET
2		<b>6637037006</b>	1	CHANNEL, BULB USE 8246964300 QTY 6 CHANNEL 6 FEET
3		<b>7115140550</b>	4	HHCS 1/4-20UNCX0.63 G5
4		<b>7123130918</b>	14	SBCS M5x14 A2 ISO 7380
5		<b>7661130803</b>	14	LOCKNUT
6		<b>7690021210</b>	2	PIN, 3/32" X 3/4" LONG COTTER
7		<b>7951130014</b>	14	F WASHER 5 ST ISO 7089
8		<b>80108372</b>	1	HINGE DOOR TYPE A
9		<b>80108373</b>	1	HINGE DOOR TYPE B
10		<b>80108598</b>	1	DOOR PANEL WELD
11		<b>80108649</b>	1	LATCH PADDLE 2 POINT
12		<b>80108723</b>	1	LATCH ROTARY RH
13		<b>80108724</b>	1	LATCH ROTARY LH
14		<b>80108725</b>	1	BRACKET MOUNTING RH
15		<b>80108726</b>	1	BRACKET MOUNTING LH
16		<b>80108727</b>	2	CLIP RETAINING
17		<b>80108729</b>	2	CABLE CONTROL LATCH

# Manitowoc Cranes

<u>Description</u> <b>PAWL ASSY BOOM HOIST</b>				<b>Assembly No.</b> <b>80107687</b> Revision: <b>G</b>
Item	FN	Part	Qty	Description
1		428576	2	ELBOW 90 DEG. .25 NPT
2		7440010200	1	FITTING GREASE 0.25 NPT 45 DEG
3		4299360	1	FITTING
4		5620420	1	PIN COTTER
5		5620440	4	PIN, COTTER
6		80107688	1	BRACKET GREASE FITTING
7		80107689	1	SHAFT 45.0 DIA X 117.0 LG
8		81021008	2	PIN 2 HOLE
9		810259862	6	SHIM
10	+	81019943	1	CYLINDER HYDR
11		810267143	1	BRACKET BOOM HOIST PAWL
12		80113377	1	PAWL BOOM HOIST
13		810267163	1	CAM
14		810267172	1	SPRING 16 ODX2.6 WIREX125.0 L
15		810267182	1	BOLT EYE M8-1.25 X 50.0 X 3.0
16		810267192	1	SPACER TUBE 35.0 OD X 20.0 ID
17		810267202	1	SPACER TUBE 35.0 OD X 20.0 ID
18		810267212	1	BUSHING 55.0 OD X 20.0 ID X 30
19		810269280	1	TUBE ROUND
20		7126170853	2	HHCS M8x12 -8.8 ISO 4017
21		7126191250	2	HHCS M10X25 8.8 FLZN ISO 4014
22		7126211553	4	HHCS M12X40 8.8 FLZN ISO 4017
23		7661170003	2	NUT
24		7951170014	2	F WASHER
25		7951190015	2	F WASHER
26		7951210014	4	F WASHER 12 -ST ISO 7089
27		7951210220	4	L WASHER 12 -HRC44-51 DIN 127
28		A002012	1	PLATE KEEPER
29		A177492	1	PIN 1 HOLE W/HD
30		7126131654	2	SHCS M5x45 -8.8 ISO 4762
31		7127151053	2	HHCS FULL THREAD
32		7661130803	2	LOCKNUT
33		7951130014	2	F WASHER 5 ST ISO 7089
34		7951150014	2	F WASHER
35		80113379	1	BRACKET SWITCH
36		810161360	1	SWITCH, LEVER ARM FIXED
37	+	80129368	1	LIMIT SWITCH MOLDED 3P SUBASSY

+ SEE FURTHER BREAKDOWN THIS GROUP

# Manitowoc Cranes

Description  
**HOIST ASSY DRUM 2 FF**

**Assembly No.**  
**84054329**  
 Revision: **D**

Item	FN	Part	Qty	Description
1		<b>5460750</b>	4	HEX NUT
2		<b>5621500</b>	8	PIN COTTER
3		<b>7094000</b>	4	F WASHER
4		<b>7126271853</b>	4	HHCS FULL THREAD
5		<b>7951270014</b>	4	F WASHER
6		<b>80129730</b>	1	HYD MOTOR 170 CC VARIABLE
8		<b>80103617</b>	4	PIN 2 HOLE 50.8MM X 139.5MM LG
9		<b>810249210</b>	1	PLUG
10		<b>84054285</b>	1	HOIST ASSY DRUM 2 FF
11	+	<b>80116312</b>	1	HYD LINES INSTL REAR DRUM FF
12		<b>A005660</b>	4	PHIL TMS
13		<b>A188710</b>	1	ENCODER

+ SEE FURTHER BREAKDOWN THIS GROUP

# Manitowoc Cranes

Description  
**ESI MOD FREE SPOOL**

**Assembly No.**  
**80130290**  
Revision: **C**

Item	FN	Part	Qty	Description
1		<b>6670070</b>	30	STRAP
2		<b>80133289</b>	1	PANEL RECEPT FLOOR MOUNT FS
4		<b>80129700</b>	1	WIRING HARNESS WCR4 FREESPOOL
5		<b>80129701</b>	1	WIRING HARNESS WRL6 FREESPOOL

# Manitowoc Cranes

<u>Description</u> <b>TANK 314 L RET FILTRATION</b>				<b>Assembly No.</b> <b>80117629</b> Revision:
Item	FN	Part	Qty	Description
1		3456870	2	CLAMP, TUBE
2		3753030	1	COUPLING, PLUG
3		3753040	1	COUPLING, DUST CAP
4		4272850	1	FILTER, HYDRAULIC
5		4295540	1	FITTING, PLUG
7		4317640	1	FITTING FLANGE ASSEMBLY
9		5966920	1	O-RING
10		80101319	1	GAUGE 10 IN HEIGHT
11		80101773	1	PLATE VALVE MOUNTING
12		80103371	1	O-RING 168.8 X 158.1 X 5.33W
13		80105690	1	BREATHER 1 NPT 1274 LPM
15		80105726	1	TUBE ASSY HYD TANK FILL
16		80112226	1	VALVE 1/4 NPT DRAIN
17		80117630	1	TANK WELDMENT 310L
18		80129483	1	TUBE ASSY RETURN MANIFOLD
19		810244880	2	FILTER HYD RETURN TO TANK INCLUDES THE FOLLOWING PARTS
		A179240	1	ELEMENT, FILTER
		A194210	1	KIT, SEAL
20		810291552	1	COVER HEATER
21		810291560	1	GASKET HEATER
22		84055204	1	SWITCH ASSY HYD LEVEL INCLUDES THE FOLLOWING PARTS
		6670060	1	STRAP
		80093882	2	PIN-#20
		80101316	1	SENSOR FLOAT
		810010960	1	RECEPTACLE WITH WEDGE LOCK
		84022974	1	HEAT SHRINK TUBING 16/4
		A094400	1	TAPE
		810334040	1	SLEEVE .19 WOVEN WRAP SPLIT
23		7126191253	16	HHCS
24		7126191353	4	HHCS
25		7128241454	4	SHCS
26		7128241554	4	SHCS
27		7445160450	1	FITTING 1 NPT X 1/4 NPT
28		7447202016	1	CAP ASSY, FEMALE ORS THRE
29		7566500600	2	HOSE
30		A030720	1	VALVE, CHECK
31		A080600	4	CLAMP, SPRING LIGHT DUTY
32		A110300	2	TUBE, PREFORMED
33		A119270	1	SENSOR, HYDRAULIC FLUID TEMPER
34		A151190	1	VALVE ASSEMBLY, BUTTERFLY VALV
35		A175610	1	FLANGE ASSY SPLIT CODE 61

# Manitowoc Cranes

Description  
**HYD LINES INSTL DRUM CIRCUITS**

**Assembly No.**  
**80101629**  
**Revision: P**

Item	FN	Part	Qty	Description
167		<b>7755910002</b>	1	O-RING
		<b>7447101034</b>	1	TEE
		<b>7755016002</b>	1	O-RING
168		<b>810027560</b>	1	FITTING ADAPTER SPECIAL

# Manitowoc Cranes

Description

**HYD LINES INSTL ACCESSORIES**

**Assembly No.**

**80116343**

Revision: **G**

Item	FN	Part	Qty	Description
117		810276060	1	COVER PLATE
118		810276300	10	PLATE
119		84037611	1	VALVE CHECK -100RFS X -100RB
120		84037609	3	VALVE CHECK -60RFS X -60RB
121		84037616	1	VALVE CHECK -80RBX-80RFS
122		84055010	1	VALVE LOW PRESSURE ACC
123		A169140	1	FITTING ADAPTER TEE
124		7126151753	4	CAP SCREW,M6X50 -8.8 ISO 4017
126		7555201800	1	HOSE ASSY 0.375 ID X 18 LG
127		7555202201	1	HOSE ASSY, 3/8" I.D. X 22" LONG
128		7555202401	1	HOSE ASSY, 3/8" I.D. X 24" LONG
129		7555203500	1	HOSE ASSY .38 ID X 35.00 LG
130		7661151103	4	HEX LOCK NUT M6
131		7951150014	8	F WASHER
132		80118259	1	VALVE P REDUCING/RELIEVING
133		80118274	1	VALVE FLOW CONTROL 0.8 GPM
135		80121398	1	FITTING STRAIGHT M22X-6ORB

# Manitowoc Cranes

Description

**REAR DRUM BRAKE PEDAL**

Assembly No.

**1965301**

Revision: **FA**

Item	FN	Part	Qty	Description
1	+	1965309	1	PEDAL REAR DRUM BRAKE

+ SEE FURTHER BREAKDOWN THIS GROUP

# Manitowoc Cranes

Description  
**ESI ROTATING BED**

**Assembly No.**  
**84054249**  
Revision: F

Item	FN	Part	Qty	Description
1		5469560	4	NUT PANEL
2		5469670	1	NUT PANEL
3		7114320	1	WASHER
4		7114330	4	WASHER
5		7126150853	2	CAP SCREW, M6X12 HEX HEAD
8		7951150587	2	SER L WASHER 6 A2 DIN 6797A
9		80105675	1	ELEC CABLE WBB1
10		80107552	1	WIRING HARNESS WCE1
11	+	80107601	1	SWITCH ASSY SETUP REMOTE
12		80108732	1	ELEC CABLE BRD GND STRAP 24.00
14	+	84055178	1	ESI ROT BED MOUNTING
15		80114093	1	WIRING HARNESS WRL1
18		84055183	1	WIRING HARNESS WRR1
20		84055190	1	WIRING HARNESS WRL3
22		7115161050	1	HHCS 3/8-16UNCX1.25 G5
23		7660160000	1	HEX NUT 3/8-16UNC SAE-2
24		7950160050	1	WASHER, LOCK 3/8" I.D.
25		7950160141	1	WASHER, FLAT 3/8" NARROW
26		7950160350	1	WASHER, LOCK 3/8" I.D.
27		810089770	1	RETAINER
28		810089990	1	RETAINER
29		7951190220	1	L WASHER 10
30		80123566	1	MAGNET ZIP TIE MOUNT

+ SEE FURTHER BREAKDOWN THIS GROUP

# Manitowoc Cranes

Description

**LIMIT SWITCH MOLDED 3P SUBASSY**

**Assembly No.**

**80129368**

Revision: **A**

Item	FN	Part	Qty	Description
1		<b>80129250</b>	1	CABLE GLAND NPT 0.50 ID 4-10
2		<b>80129369</b>	1	CABLE
3		<b>810161270</b>	1	SWITCH, LIMIT
20		<b>80129369</b>	2	CABLE
21		<b>2972110</b>	1	CABLE, WIRE

# Manitowoc Cranes

<u>Description</u> <b>COLD WEATHER KIT ROT BED INSTL</b>				<b>Assembly No.</b> <b>80110837</b> Revision: F
Item	FN	Part	Qty	Description
1		<b>5464330</b>	6	ELEC CONNECTOR WIRE ORANGE #10
3		<b>5464370</b>	3	CONNECTOR
5	+	<b>80110914</b>	1	JUNCTION BOX ASSY ENG HEATERS
7		<b>80111084</b>	1	BRACKET BOX JUNCTION MOUNT
8		<b>80116433</b>	2	HEATER BATTERY WRAP 160W
10		<b>80111684</b>	1	HEATER HYDRAULIC TANK INCLUDES THE FOLLOWING PARTS
		<b>2888500</b>	1	BUSHING
		<b>5464370</b>	3	CONNECTOR
		<b>80110480</b>	1	HEATER TANK 240V/2KW
		<b>810211760</b>	1	CABLE ELEC
12		<b>84031362</b>	5	CABLE GLAND M20
13		<b>7126110754</b>	2	SHCS M4 X 10 8.8 ISO4762
14		<b>7123111154</b>	4	SHCS M4X20 A2 ISO4762
15		<b>7126171253</b>	2	HHCS M8X25 8.8 ISO 4017
16		<b>7661110803</b>	4	NUT LOCK NYLON
17		<b>7661170803</b>	2	NUT NYLOC M8
18		<b>7951130016</b>	4	F WASHER 5 A2 ISO 7089
20		<b>7951130596</b>	2	SER WASHER 5 A2 DIN6798A
22		<b>A015990</b>	1	RETAINER, P-CLIP
23		<b>81036358</b>	2	ELEC CONNECTOR
24		<b>80115042</b>	1	SPACER 25.0 LG FOR M10 BOLT
25		<b>A015950</b>	1	RETAINER, P-CLIP
26		<b>7123191653</b>	1	HHCS M10 X 45 A2 ISO 4017
27		<b>7661190004</b>	1	NUT
28		<b>6670070</b>	1	STRAP
29		<b>7826000648</b>	6	SOCKET, (14-16) GOLD
30		<b>7364100011</b>	2	WEDGE, 3 SOCKET
31		<b>2752330</b>	3	BREAKER CIRCUIT
50		<b>3718410</b>	5	CABLE ELECTRIC
51		<b>3718410</b>	13	CABLE ELECTRIC
52		<b>3718410</b>	13	CABLE ELECTRIC
53		<b>3718410</b>	3	CABLE ELECTRIC
54		<b>3718410</b>	5	CABLE ELECTRIC

+ SEE FURTHER BREAKDOWN THIS GROUP

CLICK HERE TO **DOWNLOAD** THE COMPLETE MANUAL

- Thank you very much for reading the preview of the manual.
- You can download the complete manual from: [www.heydownloads.com](http://www.heydownloads.com) by clicking the link below



- Please note: If there is no response to CLICKING the link, please download this PDF first and then click on it.

CLICK HERE TO **DOWNLOAD** THE COMPLETE MANUAL

# Manitowoc Cranes

Description

**SWITCH ASSY ATB, W/DUST CAP**

**Assembly No.**

**80091847**

Revision:

Item	FN	Part	Qty	Description
2		<b>7110151205</b>	2	SHCS 5/16-18UNCx1.5 A574
3	+	<b>9333102633</b>	1	A2B FLAG ASSY
5		<b>90044872</b>	1	SWITCH ASSY. W/CONNECTOR
7		<b>90038812</b>	1	CAP, DUST
8		<b>90039062</b>	1	HARDWARE, LYNCH PIN

+ SEE FURTHER BREAKDOWN THIS GROUP

# Manitowoc Cranes

Description  
**BATTERY BOX ASSY**

**Assembly No.**  
**80122067**  
**Revision: A**

Item	FN	Part	Qty	Description
1		<b>6637007001</b>	5	MOLDING - USE 9637100001 QTY 1 MOULDING 1 FOOT
3		<b>7126191053</b>	8	HHCS 10 X 16 8.8
6		<b>80115675</b>	1	BATTERY BOX WELDMENT
7		<b>80121830</b>	4	PLATE 6.4X48X70
8		<b>80110985</b>	1	COVER BATTERY BOX
9		<b>80110986</b>	4	PLATE BATTERY HOLD
10		<b>7951190014</b>	8	F WASHER 10
11		<b>7126191453</b>	4	HHCS M10X35 8.8 FLZN 4017
12		<b>7661190003</b>	4	NUT, HEX 10MM
13		<b>7661190803</b>	4	HEX LOCK NUT M10 -8 ISO 7040
14		<b>7951190054</b>	4	FLAT WASHER 10 100HV FLZ

# Manitowoc Cranes

Description  
**TANK FUEL INSTL 100 GAL**

**Assembly No.**  
**80105340**  
**Revision: A**

Item	FN	Part	Qty	Description
1		<b>7660181600</b>	4	HEX LOCK NUT 1/2-13UNC SAE-2
2		<b>7950180160</b>	4	WASHER, 9/16"
3		<b>80105341</b>	2	STRAP MOUNTING FUEL TANK
4		<b>80105345</b>	2	RUBBER STRIP MOUNTING
5		<b>84054254</b>	1	TANK FUEL 100 GAL
		<b>80118030</b>	1	INCLUDES THE FOLLOWING PARTS SENDER FUEL LEVEL 28 IN SQ

# Manitowoc Cranes

Description  
**AIR COND KIT HOSES**

**Assembly No.**  
**80109243**  
Revision:

Item	FN	Part	Qty	Description
1		<b>90018823</b>	1	SWITCH, PRESSURE HI/LO
2		<b>80109244</b>	1	HOSE ASSY .31 ID
3		<b>80109245</b>	1	HOSE ASSY .41 ID
4		<b>80109246</b>	1	HOSE ASSY .50 ID

# Manitowoc Cranes

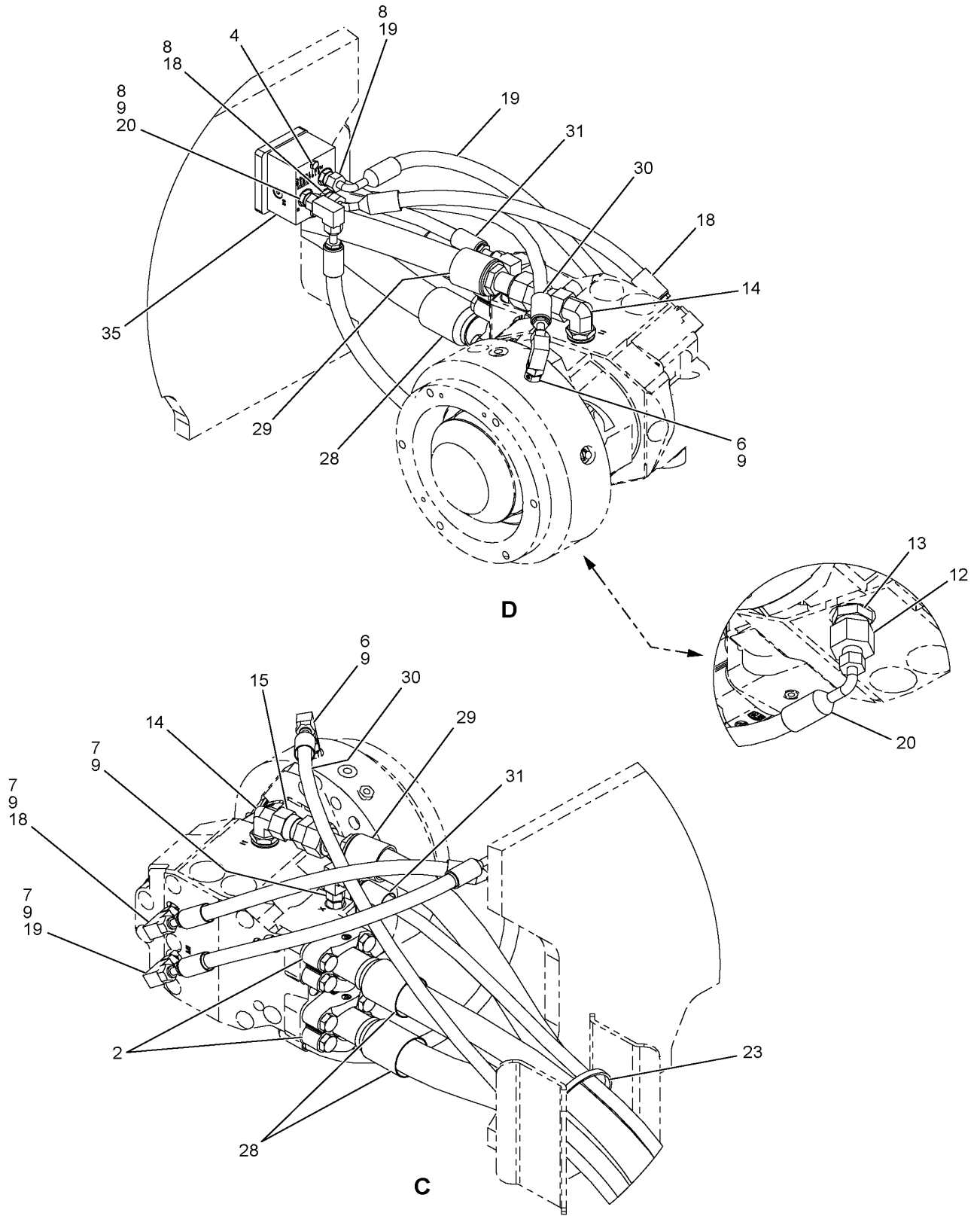
Description  
**1000HR SERVICE KIT**

**Assembly No.**  
**80119866**  
 Revision: **A**

Item	FN	Part	Qty	Description
1		<b>90024700</b>	1	FILTER, FUEL 7-1/8" LG
2		<b>90026681</b>	1	FILTER, FUEL/WATER SEPARATOR
3		<b>9414101679</b>	1	FILTER,OIL
4		<b>A179240</b>	2	ELEMENT, FILTER
5	+	<b>80119867</b>	1	2000HR SERVICE KIT FOR REFERENCE ONLY; NOT INCLUDED IN 80119866.

+ SEE FURTHER BREAKDOWN THIS GROUP

# Manitowoc Cranes

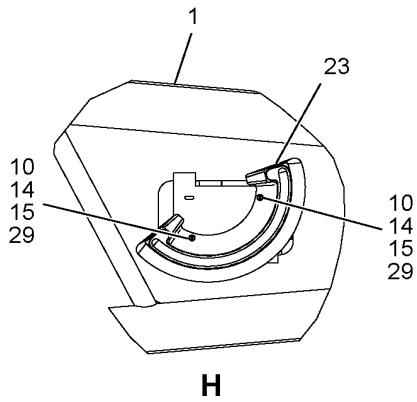
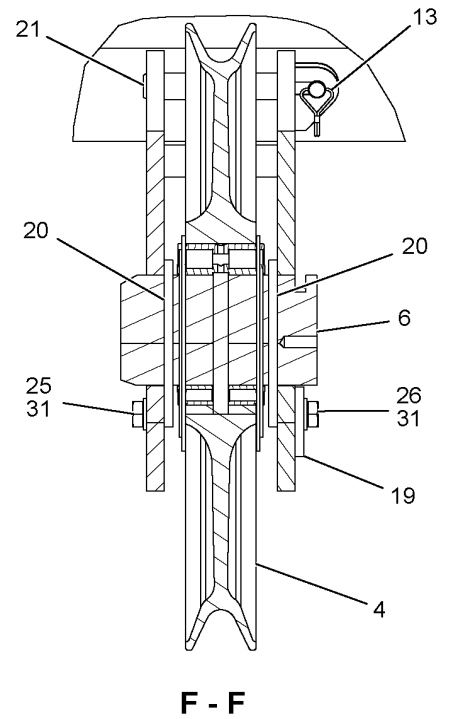
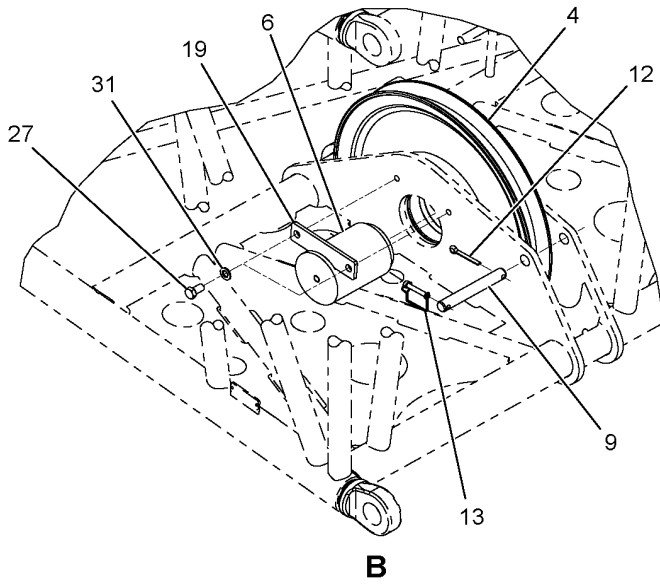
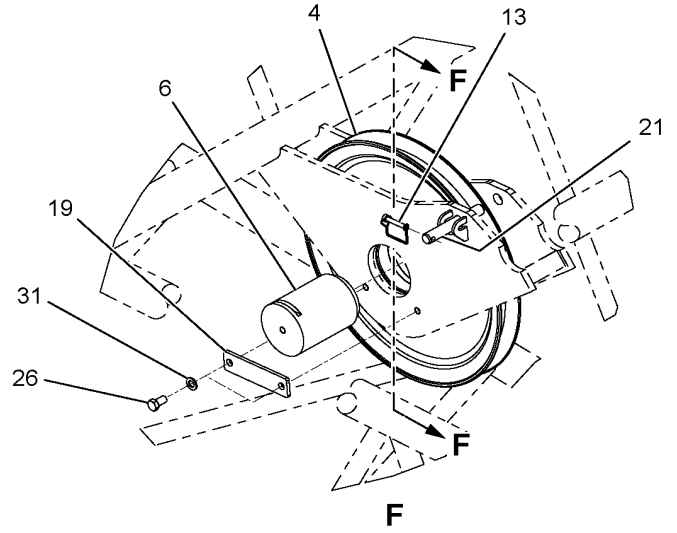
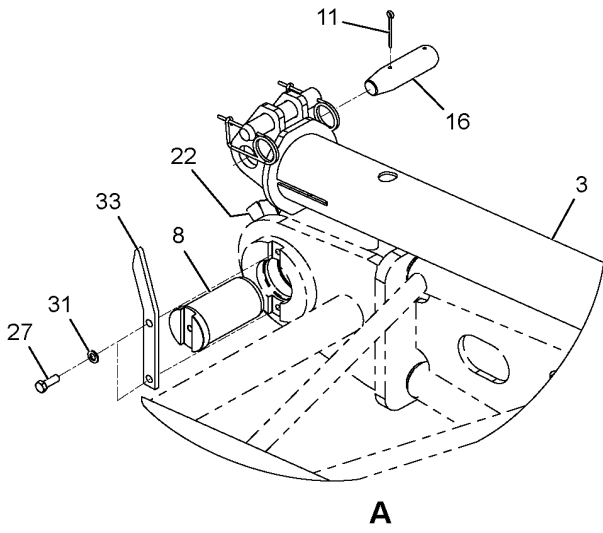


# ***Manitowoc Cranes***

Notes

---

# Manitowoc Cranes



# Manitowoc Cranes

Description  
**STOP BOOM #290**

**Assembly No.**  
**80112762**  
 Revision: E

Item	FN	Part	Qty	Description
1		80104541	2	PIN SAFETY 6.35 OD X 76
2		80112767	1	STOP BOOM, INNER
3		80112768	1	STOP BOOM, OUTER
4		80112839	1	RETAINER SPRING
5		80112840	2	BAR GUIDE
6		80112841	1	PIN 2 HOLE 40.0 OD X 178.8 LG
7		80112842	1	RETAINER SPRING
8		80114907	2	SPRING 5.78X1.25WX38.6L(IN)
9		766121000A	4	HEX NUT M12 A4 ISO4032
10		7951210016	4	F WASHER
11		7951210056	2	F WASHER 12 A2 ISO7094
13		80116271	1	PLATE SPRING GUIDE
14		80139826	1	DECAL STOP PROGRESS

# Manitowoc Cranes

Description  
**TOP ASSY #290, 7.0M**

**Assembly No.**  
**80101587**  
**Revision: G**

Item	FN	Part	Qty	Description
1		1771072	2	SLEEVE
2		2251050	2	BEARING LOCKNUT
3		2251110	1	BEARING LOCK WASHER
4		7126171153	2	HHCS M8X20 8.8 ISO 4017
5		7127241553	4	HHCS M16X40 10.9
6		7661170003	2	NUT
7		7661210003	1	NUT, HEX 12MM N.C.
8		7661240004	4	NUT, M16 CLASS 10
9		7951170014	4	F WASHER
10		7951210014	1	F WASHER 12 -ST ISO 7089
11		7951240014	8	FLATWASHER 16MM I.D.
12	+	80101590	1	TOP #290 7M
13		80103383	3	SHEAVE ASSY INCLUDES THE FOLLOWING PARTS
		2250190	1	BEARING
		80121082	2	SEAL LIP 6.11 ID X 7.19 OD
16		80104879	1	BRACKET BOOM TOP CABLE MTG
17		80105212	1	SHAFT 130 DIA X 727.0 LG
18		80115007	1	ROPE GUARD 50.80DX6.35WX583LG
19		80106364	2	COLLAR 131.5 ID X 8MM THK
20		80106365	1	SPACER 145.5X131.5X167.0
21		80106390	2	SHEAVE ASSY 26MM ROPE INCLUDES THE FOLLOWING PARTS
		80106930	1	BEARING ROLLER 190X130X79
22		80106865	16	RIVET .25 DIA (IN)
23		80106909	1	RETAINER 8 MM, 17.5 DIA HOLES
24		80106911	1	SPACER 141.00X127.13X161.0
25		80106912	1	RETAINER 12MM, 17.5DIA HOLES
26		80105671	2	SHEET METAL 14 GA
27		80107367	1	SPACER 145.5X131.5X108.7
28		81042403	1	EYE BOLT M12 X 1.75 24
29		84054423	4	PIN 2 HOLE
30	+	A180274	1	LINK ASSY
31	+	84054355	1	ESI BOOM TOP
32		7951150054	16	F WASHER 6 FLZN DIN7980
34		5636400	10	SAFETY PIN
35		80116725	1	ROPE GUARD 50.80DX6.35WX753LG
36		810254722	1	CLAMP CABLE
37		7126151150	2	CAP SCREW, M6X20 HEX HEAD
38		7661150803	2	NUT NYLOC
39		7951150014	4	F WASHER

+ SEE FURTHER BREAKDOWN THIS GROUP

# Manitowoc Cranes

Description

**SWITCH ASSY ATB, W/DUST CAP**

**Assembly No.**

**80091847**

Revision:

Item	FN	Part	Qty	Description
2		<b>7110151205</b>	2	SHCS 5/16-18UNCx1.5 A574
3	+	<b>9333102633</b>	1	A2B FLAG ASSY
5		<b>90044872</b>	1	SWITCH ASSY. W/CONNECTOR
7		<b>90038812</b>	1	CAP, DUST
8		<b>90039062</b>	1	HARDWARE, LYNCH PIN

+ SEE FURTHER BREAKDOWN THIS GROUP

# Manitowoc Cranes

Description

**TIMBER ASSY .81M**

Assembly No.

**80105702**

Revision: **B**

Item	FN	Part	Qty	Description
1		<b>7126152553</b>	4	HEX SCREW, PRECISION
2		<b>7661151103</b>	4	HEX LOCK NUT M6
3		<b>7951150054</b>	8	F WASHER 6 FLZN DIN7980
4		<b>7951190054</b>	4	FLAT WASHER 10 100HV FLZ
5		<b>80101817</b>	2	U-BOLT COATED 1.50 PIPE
6		<b>80103562</b>	2	PLATE 3.2 MM
7		<b>81038790</b>	1	TIMBER 38.1 X 88.9 X 808.0

# Manitowoc Cranes

Description  
**INSERT #290 3M**

**Assembly No.**  
**80101586**  
 Revision: **D**

Item	FN	Part	Qty	Description
5	*	<b>80102813</b>	4	TUBE 44.45 OD X 2.42 W
6	*	<b>80102815</b>	4	TUBE 44.45 OD X 2.42 W
7	*	<b>80102818</b>	1	TUBE 44.45 OD X 2.42 W
11	*	<b>80103533</b>	8	TUBE 44.45 OD X 2.42 W
12	*	<b>80103534</b>	8	TUBE 38.1 OD X 2.42 W
99	*	<b>80105842</b>	1	LACING KIT PART NOT SHOWN

\* REPAIR KIT AND/OR PART OF KIT

# Manitowoc Cranes

Description  
**TIMBER ASSY 1.33M**

Assembly No.  
**80118405**  
Revision: **A**

Item	FN	Part	Qty	Description
1		80101817	1	U-BOLT COATED 1.50 PIPE
2		80107135	1	PLATE 3.2 MM
3		80118406	1	PLATE 3.2 MM
4		810277952	1	TIMBER
5		7126152553	4	HEX SCREW, PRECISION
6		7661151103	4	HEX LOCK NUT M6
7		7951150054	8	F WASHER 6 FLZN DIN7980
8		7951190054	2	FLAT WASHER 10 100HV FLZ

# Manitowoc Cranes

Description  
**TIMBER ASSY 1.33M**

Assembly No.  
**80118405**  
Revision: **A**

Item	FN	Part	Qty	Description
1		80101817	1	U-BOLT COATED 1.50 PIPE
2		80107135	1	PLATE 3.2 MM
3		80118406	1	PLATE 3.2 MM
4		810277952	1	TIMBER
5		7126152553	4	HEX SCREW, PRECISION
6		7661151103	4	HEX LOCK NUT M6
7		7951150054	8	F WASHER 6 FLZN DIN7980
8		7951190054	2	FLAT WASHER 10 100HV FLZ

# Manitowoc Cranes

Description  
**TIMBER ASSY 1.33M**

**Assembly No.**  
**80118405**  
 Revision: **A**

Item	FN	Part	Qty	Description
1		<b>80101817</b>	1	U-BOLT COATED 1.50 PIPE
2		<b>80107135</b>	1	PLATE 3.2 MM
3		<b>80118406</b>	1	PLATE 3.2 MM
4		<b>810277952</b>	1	TIMBER
5		<b>7126152553</b>	4	HEX SCREW, PRECISION
6		<b>7661151103</b>	4	HEX LOCK NUT M6
7		<b>7951150054</b>	8	F WASHER 6 FLZN DIN7980
8		<b>7951190054</b>	2	FLAT WASHER 10 100HV FLZ

# Manitowoc Cranes

Description  
**JIB ASSY #117 BUTT**

**Assembly No.**  
**80106953**  
**Revision: C**

Item	FN	Part	Qty	Description
1		<b>2852200</b>	2	BUMPER
2		<b>7126191453</b>	4	HHCS M10X35 8.8 FLZN 4017
3		<b>766119080A</b>	4	HEX LOCK NUT M10 A4 ISO7040
4		<b>5636400</b>	4	SAFETY PIN
5	+	<b>80106952</b>	1	BUTT #117 15 FT
6	+	<b>80107363</b>	1	STRUT ASSY #117
7		<b>80108746</b>	2	PIN 59.00 DIA X 140.0 LG
8		<b>80109349</b>	4	PIN 59.50 DIA X 67.0 LG
9		<b>80109723</b>	2	LINK MACH BACKSTAY
10		<b>80119161</b>	4	LINK JIB FRONTSTAY #117
11		<b>84051453</b>	4	RETAINING RING EXT 60X2.0
12	+	<b>80118702</b>	1	ESI FIXED JIB #117 BOTTOM
13		<b>7951190014</b>	4	F WASHER 10

+ SEE FURTHER BREAKDOWN THIS GROUP

# Manitowoc Cranes

Description  
**STOP ASSY INNER**

Assembly No.  
**80109168**  
Revision: **A**

Item	FN	Part	Qty	Description
1		<b>7127241853</b>	2	SCR CP HX HD
2		<b>7661240004</b>	2	NUT, M16 CLASS 10
3		<b>7951240015</b>	4	F WASHER
4		<b>80110340</b>	2	PLATE 8MM
5		<b>80110344</b>	1	ROD 47.63 DIA

# Manitowoc Cranes

Description  
**ESI FIXED JIB TOP #117**

**Assembly No.**  
**80109261**  
**Revision: D**

Item	FN	Part	Qty	Description
1		3455110	1	CLAMP TUBE, 0.75 DIA
2		7661190004	2	NUT
3		5469670	1	NUT PANEL
4		6124520	3	HHCS 3/8-16UNC X 0.75 GR 5
5		6670050	12	STRAP
6		7951190014	2	F WASHER 10
7		7103040	3	L WASHER
8		7126171253	2	HHCS M8X25 8.8 ISO 4017
10		7661170004	1	NUT, HEX - 8MM
12		7951170210	2	L WASHER
14		80074783	1	PIN, A2B
15		80104433	2	CLAMP .312 DIA
16		80115867	1	BRACKET ATB ADAPTER
18		810250100	1	CHANNEL ANCHOR CLAMP
20		80118739	1	WIRING HARNESS
22		7660151601	1	HEX LOCK NUT 5/16-18UNC
23	+	80091847	1	SWITCH ASSY ATB, W/DUST CAP
24		80118285	1	BRACKET RECEPTACLE SIZE 18
25		7126191253	2	HHCS
26		7126171954	2	SHCS M8x60 -8.8 ISO 4762

+ SEE FURTHER BREAKDOWN THIS GROUP

# Manitowoc Cranes

Description  
**A2B ASSY**

**Assembly No.**  
**80119795**  
Revision: **A**

Item	FN	Part	Qty	Description
1	+	<b>80075460</b>	1	WEIGHT-LMI A2B
2		<b>3341010</b>	6	CHAIN
3		<b>6246330</b>	2	SHACKLE REF PARTS BOX 84054316 OR 80124069

+ SEE FURTHER BREAKDOWN THIS GROUP

# Manitowoc Cranes

Alphabetical Index	Appendix A	
Description	Part	Page
BUMPER 25.4X50.8X12.7	80109302	158
BUMPER RUBBER	810120540	169, 171
BUSHING	2888500	273
	2900390	379
	810091060	54
	90041481	35
	A176330	54
BUSHING 55.0 OD X 20.0 ID X 30	810267212	183
BUSHING FRONT ROLLER	84032132	347
BUSHING PLASTIC	80016403	17
BUSHING, REDUCER	7013001210	229
BUTT #117 15 FT	80106952	443
BUTT #290 6M	84054809	355
C BOLT	7115155464	367
CAB - SUB ASSY 24V CRAWLER	80113644	7
CAB ACOUSTICS INSTALLATION	80104074	7
CAB ASSY 24V CCS	80123265	3
CAB ASSY 24V CCS PURCHASED	80103175	5
CAB WIPER LINK BAR ASSY	80042108	12
CABLE	2971890	255
	7246001449	29
	80129369	187, 263, 265
CABLE BATTERY, JUMP 30IN	80109050	291
CABLE CONTROL LATCH	80108729	161, 163, 173
CABLE ELEC	810021890	269
	810211760	273
CABLE ELECTRIC	3718410	273
CABLE GLAND 0.50 NPT 4.9X9.9	84047185	275
CABLE GLAND M20	84031362	273, 275
CABLE GLAND NPT 0.50 ID 4-10	80129250	187, 263, 265
CABLE TIE - COLOR BLACK (20.88	7850000175	337
CABLE TIE STAINLESS STEEL 10"	81013431	255
CABLE TIE, BLACK	7850000208	29
CABLE, CONTROL SHIELDED	810134780	255
CABLE, WIRE	2972110	187, 263, 265
CAM	810267163	183
CAP	3050130	59
CAP DUST SIZE 24	810241160	255
CAP SCREW M12X90 -10.9 HEX HD	7127212550	199, 219
CAP SCREW, M10 X 30	7127191353	119, 121, 127, 129
CAP SCREW, M12 X 35MM HEX HEAD	7127211453	134
CAP SCREW, M12X100 HEX HEAD	7126212650	209

From - BUMPER 25.4X50.8X12.7

To - CAP SCREW, M12X100 HEX HEAD

# Manitowoc Cranes

<b>Alphabetical Index</b>	<b>Appendix A</b>	
Description	Part	Page
FRAME SUPPORT LEG	80108354	167
FUEL CIRCUIT CUMMINS QSB	84054255	289
FUSE 15 AMP	4526860	71
FUSE 20 AMP	147219	71
FUSE BLOCK	2361430	71
FUSE BOX ATC 20 1 BUS	81024487	67
GANTRY	80104652	133
GAS SPRING	03194042	75
GASKET HEATER	810291560	213
GASKET SAE B 2 BOLT	80118843	236
GASKET, WEATHERFIN SEAL	90038877	23, 25
GASKET, WIPER BLOCK	80016424	12
GAUGE 10 IN HEIGHT	80101319	213
GAUGE VISUAL INDICATOR	80118766	214
GEARBOX PLANETARY SWING DRIVE	84054335	107
GEARBOX TRAVEL	84054337	345
GLAND	90024179	185
GLASS - CAB DOOR	80103173	17
GLASS ASSY. FIXED	90039110	21
GLASS ASSY. SLIDING	90039109	21
GLASS DOOR ASSEMBLY	80103172	11
GLASS-LH REAR	80016411	12
GRATING 38.1x177.8x762.0	80114950	129
GRATING 50.8X254X457X3.2 AL	80114242	123
GRATING 50.8X254X762	80105555	121
GRATING STAIR TREAD	80108513	157
GRATING TREAD 50.8X254X914.4	80104563	119, 127
GRILLE 1.5 SQ MESH	80113063	169
GRILLE 1.5 SQ MESH HOC	80113334	167
GRIP CHORD 90 1.00 NPT 0.88 -	80107611	269
GROMMET, 3/4"	90018867	35
GROMMET, 3/8"	90041472	35
GUARD ASSY. WIRE	90039107	21
GUARD WIRE ROPE	80110279	459
GUARD WIRE ROPE 1.00 OD X .12	A08320	457
GUARD, RAIN	80016418	12
HAIRPIN (FOR 5/16-1/2 PIN)	7312000095	75
HANDLE	80022442	17
HANDRAIL ENCLOSURE	80120557	158

From - FRAME SUPPORT LEG

To - HANDRAIL ENCLOSURE

# Manitowoc Cranes

Alphabetical Index	Appendix A	
Description	Part	Page
NUT, COUPLING	90041480	35
NUT, HEX	5460500	51, 269, 355
	5460520	51
	5460530	75
	5460540	59, 245, 259, 369, 455
NUT, HEX HEAVY	5468370	53, 279
NUT, HEX JAM	90041477	35
NUT, HEX LOCK	5483450	3
NUT, LOCK	90024181	185
NUT, LOCK #10 S.S.	90021054	35
NUT, LOCK CONDUIT	5485550	73
NUT, RETAINING 8 X 1.25	7659190020	31, 81
NUT, RETAINING M6	7659190019	12, 81
NYLON LIFT OFF HINGE, LH	7519000198	65, 81
O RING	5966930	199, 219
	5968010	209
	5968030	219
O-RING	5966920	213, 219
	7755012002	195, 199, 209, 219, 229, 337
	7755014002	195, 209, 219, 230, 337
	7755016002	222, 223, 230
	7755018002	195, 199, 209, 219, 220, 222, 230, 231, 235
	7755021002	199, 209, 220, 231, 235, 236, 337
	7755025002	209, 210, 235
	7755906002	199, 209, 219, 229, 337
	7755908002	195, 209, 219, 229, 230, 337
	7755910002	223, 230
	7755912002	195, 199, 209, 219, 222, 230, 231, 235
	7755916002	199, 209, 220, 231, 235, 236, 337
	7755920002	210, 235
	90024183	185
O-RING #6	90018813	311
O-RING 168.8 X 158.1 X 5.33W	80103371	213
O-RING 188 X 180 X 4	80108194	181
O-RING 200X192X4.00W	80106033	345
OUTSIDE MIRROR WITH HOLDER	02254477	5
PANEL - CNTRL HT/AC 12V/24V	80091153	51
PANEL AIR DEFLECTOR	80118309	289
PANEL ASSY ELEC REAR CAB INNER	80107991	65
PANEL ASSY ELEC REAR CAB LOWER	80107988	65
PANEL ASSY ELEC REAR CAB UPPER	80107986	65

From - NUT, COUPLING

To - PANEL ASSY ELEC REAR CAB UPPER

# Manitowoc Cranes

Alphabetical Index	Appendix A	
Description	Part	Page
SHEAVE ASSY CTWT #290BM	80107141	355
SHEET METAL 14 GA	80105671	373
SHIM	0735622	141, 341
	1707742	341
	810259862	183
SHIM 1.9 MM	84054371	133
SHIM 10 GA (0.134 IN)	80107161	355
SHIM 10.0	80115043	341
SHIM CRAWLER, 10MM (.38 IN)	80105357	331
SHIM CRAWLER, 2MM (14GA)	80105353	331
SHIM CRAWLER, 4MM (8GA)	80105354	331
SHIM CRAWLER, 6MM (.25 IN)	80105355	331
SHIM CRAWLER, 8MM (.31 IN)	80105356	331
SHIM HOIST HANDLE CAB	80124056	239
	80124057	239
SHIM PACK CARBODY/CRAWLER	80105364	331
SHOCK MOUNT M8 X 1.25	80107118	210
SHOE CRAWLER	80102734	349
SHROUD ASSY. FAN MTG.	90018837	311
SHSS 8X10 12.9 ISO 7379	7128170758	157
SILL, DOOR	80016419	12
SKYLIGHT WIPER KIT-24V	80104139	11
SLEEVE	1771072	373
	7822000080	17
SLEEVE .19 WOVEN WRAP SPLIT	810334040	213
SLEEVE PROTECTIVE .25-2 ID X 8	810173790	211
SLEWING RING BRG 1864X1428X122	80123557	101
SLIDING BEARING	03193875	75
SLING 3L X 40.4MT X 1.37M	80107447	141
SLOT FMS	6161640	73
	6175680	269
SLOT FMS M3X20 -8.8 ISO 2009	7126091100	71
SLOT PMS	A200200	51, 65
SLOT PMS M6X20 -4.8 ISO 1580	7121151101	59
SLOT RMS	6177630	51
	6177650	355
	6185460	279
SLOT, PMS M6X16	7121151001	82
SLOT, PMS M6X25	7121151201	82
SOCKET BUTTON 22-26MM	A11041	141
SOCKET,	7826000626	29
SOCKET, (14-16) GOLD	7826000648	273

From - SHEAVE ASSY CTWT #290BM

To - SOCKET, (14-16) GOLD

# Manitowoc Cranes

Numeric Index		Appendix B
Part	Description	Page
00028194	RETAINING RING	75
0116982	SPRING	245
02254477	OUTSIDE MIRROR WITH HOLDER	5
02257141	WASHER	289
03044941	LOCKING WASHER	75
03140562	INDICATOR PLATE ATTENTION	57
03142615	JOG DIAL	53
03143168	BATTERY-HOLDER	71
03143248	PIN	75
03193874	BEARING PIN	75
03193875	SLIDING BEARING	75
03194042	GAS SPRING	75
03194043	BOWDEN WIRE	59
03194044	EASYTOUCH SWITCH	59
03194045	FLASH POINT	75
03240751	BRACKET	59
03240752	BRACKET ASSY	59
03313303	ELECTRONIC CONTROL UNIT	85
03318989	RIVET-NUT KNURLED	59
0735622	SHIM	141, 341
0972819	DECAL NO STEP	91
0987399	DECAL(EN) WARNING CRUSH HAZARD	93
1006766	SEALER, ADHESIVE BACKED	17
147219	FUSE 20 AMP	71
1478482	DECAL (EN) PATENT	91
147852	DECAL-DANGER-BOOM HAZARD	387, 395, 397, 399, 411
152983	HOLDER, CUP	81
1703889	BOLT FRONT IDLER	341
1707742	SHIM	341
1728592	DECAL-CAUTION-REMOTE CAUTION-R	91
1766312	PREFORMED TUBE	219
1768352	DECAL FLAG	95
1768692	COVER PLATE, SWITCH HOUSING	255
1768822	DECAL-OPERATORS MANUAL WARNING	91
1769272	DECAL (EN) BUILT TO ASME B30.5	91
1771072	SLEEVE	373
1772809	PIN	133
1773632	PIN	355, 447
1790102	PIN	351

From - 00028194

To - 1790102

# Manitowoc Cranes

Numeric Index		Appendix B
Part	Description	Page
7128241454	SHCS	213
7128241554	SHCS	213
7128241754	SHCS	107
7128291554	SHCS	229
7128292954	SCR SKT HD M24-3 X 130 12.9 PL	345
7128342154	SHCS	345
7172000545	BOOT, DT2S CONNECTOR	36
7172000548	BOOT	36
7172000568	BOOT, CONNECTOR	36
7242100005	PLUG, L SERIES LH1 PANEL	51, 53
7246001449	CABLE	29
7258001451	CAP, 1/4"	17, 59, 82
7300000006	CLAMP, HOSE	31
7300000016	CLAMP, HOSE	31
7300000040	CLAMP, HOSE-0.91"MAX	31
7312000095	HAIRPIN (FOR 5/16-1/2 PIN)	75
7345001746	TERMINAL, MALE	12
7346100004	CONNECTOR, GROUND DISTRIBUTION	71
7348000667	EXTINGUISHER, FIRE	41
7348000669	BRACKET	41
7364100011	WEDGE, 3 SOCKET	273
7364100178	BEZEL, L-SERIES END PIECE LME	51, 53
7364100179	BEZEL, L-SERIES	53
7364100180	BEZEL, L-SERIES 4 GANG LM4	51
7364100182	BEZEL, L-SERIES	53
7376102946	DECAL-WARNING ULTRA LOW SULFUR	287
7440010200	FITTING GREASE 0.25 NPT 45 DEG	183
7445020270	FITTING T-2 NPT x -2 NPT	214
7445080852	ELBOW, 45 DEGREE	107
7445120853	ELBOW	305
7445121251	UNION, STRAIGHT	305
7445121252	45 DEGREE ELBOW	305
7445121253	ELBOW, 90 DEGREE	305
7445160450	FITTING 1 NPT X 1/4 NPT	213
7447040670	STR ADAPTER	199, 219
7447050670	ADAPTER, ISO TO ORB	219
7447060253	MALE CONNECTOR ORFS/BSPP	199
7447060455	MALE 90 DEG ELBOW ORFS/BSPP	199
7447060468	FITTING, 90 ORFS	229, 305

From - 7128241454

To - 7447060468

# Manitowoc Cranes

Numeric Index		Appendix B
Part	Description	Page
80004481	LUG	17
80004992	SEAL, MODIFIED	11
80004994	ROD, LATCH	17
80011214	DOOR HANDLE MODIFICATION	17
80011215	DOOR HANDLE ASSY. WITH KEY SET	17
80016385	BOTT DOOR GUIDE WLDMT	17
80016403	BUSHING PLASTIC	17
80016411	GLASS-LH REAR	12
80016416	TRACK, DOOR BOTTOM PLASTIC	11
80016418	GUARD, RAIN	12
80016419	SILL, DOOR	12
80016421	INSERT, HEX M10	12
80016424	GASKET, WIPER BLOCK	12
80016487	PLATE, MOUNTING	43
80016489	PLATE, MOUNTING	43
80017626	REGEN INITIATE/INHIBIT SWITCH	51
80021901	PANEL-ULTRA LOW SULFUR DIESEL	287
80022424	PLATE	17
80022442	HANDLE	17
80023122	DTP RECP 4P FLG GRY	36
80027884	A/C CONDENSER-VERT. MTG. 24V.	309
80035379	MOUNT	41
80038105	SEAL-BRUSH TOP	11
80038109	CLIP NUT 10-32	17
80038198	F WASHER	12
80041878	PLATE LATCH ACTUATOR	17
80042108	CAB WIPER LINK BAR ASSY	12
80049048	90 DEG ELBOW	221
80052794	24V CAB FAN	12
80055044	PLUG	47
80060094	SADDLE SPACER	210, 221, 232
80061556	SADDLE SPACER	232
80064695	SWIVEL ARM	75
80069035	ELECTRONIC CONTROL UNIT	259
80069036	CONTROLLER IOS	85
80069037	CONTROLLER IOL	259
80071856	WINDOW ASSY. RH SIDE	11
80074064	EDGE TRIM	12
80074783	PIN, A2B	281, 381, 437, 463

From - 80004481

To - 80074783

# Manitowoc Cranes

Numeric Index		Appendix B
Part	Description	Page
80107987	PANEL REAR ELEC UPPER	67
80107988	PANEL ASSY ELEC REAR CAB LOWER	65
80107989	PANEL REAR ELEC LOWER	69
80107991	PANEL ASSY ELEC REAR CAB INNER	65
80107992	PANEL REAR ELEC INNER	71
80107993	ENCLOSURE ASSY COOLER	167
80107994	ENCLOSURE LEFT	167
80108007	TUBE .75 OD X .109 W	445
80108026	WIRING HARNESS WRF4	279
80108027	TUBE .75 OD X .109 W	445
80108029	TUBE .75 OD X .109 W	445
80108041	TUBE .75 OD X .109 W	445
80108042	TUBE .75 OD X .109 W	445
80108043	TUBE .75 OD X .109 W	445
80108045	TUBE .75 OD X .109 W	445
80108047	TUBE .75 OD X .109 W	445
80108048	TUBE .75 OD X .109 W	445
80108049	TUBE .75 OD X .109 W	445
80108050	TUBE .75 OD X .109 W	445
80108051	TUBE .75 OD X .109 W	445
80108052	TUBE .75 OD X .109 W	445
80108053	TUBE .75 OD X .109 W	445
80108054	TUBE .75 OD X .109 W	445
80108055	TUBE .75 OD X .109 W	445
80108056	TUBE .75 OD X .109 W	445
80108057	TUBE .75 OD X .109 W	445
80108066	TUBE .75 OD X .109 W	445
80108145	VALVE FLOW CONTROL 10 LPM	232
80108159	BRACKET VALVE SUPPORT	232
80108176	FLANGE TEE -16CD62X-12ORB	221
80108194	O-RING 188 X 180 X 4	181
80108223	BRACKET HOSE SUPPORT	236
80108308	BRACKET FOOT REST CAB	82
80108348	BRACKET RAIL SUPPORT	169, 171
80108349	COVER CAB	167
80108354	FRAME SUPPORT LEG	167
80108359	COVER RECIRCULATION	167
80108360	COVER COOLER TOP	167
80108361	COVER COOLER LOWER	167

From - 80107987

To - 80108361

# Manitowoc Cranes

Numeric Index		Appendix B
Part	Description	Page
80141815	VALVE FREE FALL	236
80142662	LIGHT ASSEMBLY-LED FLOOD	11
80143387	FOAM STRIP 12.7X9.5	82
810006580	BATTERY	291
810010960	RECEPTACLE WITH WEDGE LOCK	213
810015300	DECAL WARNING READ MANUAL	91
810018650	ALARM	259
810019600	NAMEPLATE	59
810021890	CABLE ELEC	269
810027560	FITTING ADAPTER SPECIAL	223
810029580	DISCONNECT	221
810034210	PHIL TMS	51, 53
810041210	LOAD CENTER 12 SPACES	269
810054120	SWITCH ASSY	255
810061640	PARTS BOX CRAWLER FRAME 42 IN	141
810063210	SCREW, SOCKET BUTTON CAP	45
81007341	DECAL-LIFT POINT	97, 387, 395, 397, 399
81007557	DECAL - WARNING CALIFORNIA PROP	91
810077410	RUBBER BUMPER 19XM8X1.25X16	117, 123, 289
810089770	RETAINER	253
810089990	RETAINER	253, 259
810091060	BUSHING	54
81009755	PIN 1 HOLE W/HD 58.5DIA X 55.2	133
81010163	LATCH	158
810108810	DECAL DIESEL FUEL SYMBOL	95
81011390	BRACKET MIRROR ARM ASSY	179
810114770	FLANGE ASSY SPLIT CODE 62	221
810118460	DECAL, MANITOWOC LOGO (40") W	103
810120540	BUMPER RUBBER	169, 171
810122910	FITTING, PLUG	221
810122920	PLUG (SAE -8)	221
810122940	PLUG (SAE -12)	221
810122950	FITTING PLUG	221
81013431	CABLE TIE STAINLESS STEEL 10"	255
810134780	CABLE, CONTROL SHIELDED	255
810138560	PIN WIRE LOCK	175
810144620	FILTER AIR PRIMARY	325
810144630	FILTER, AIR	325
810153250	RETAINER	259

From - 80141815

To - 810153250

# Manitowoc Cranes

Numeric Index		Appendix B
Part	Description	Page
90048383	WIPER MOTOR, 24V	11
90048384	PIVOT SHAFT, 51MM	11
90048385	FLEX BLADE, 34"	11
90048386	WIPER ARM, 24"	11
90048387	ADAPTER, PANTOGRAPH	11
90048505	SWITCH CONTROL	75
9086100869	PIN, COTTER	137
910869	PORT PLATE-REAR	222
9333102232	LANYARD	285, 385, 441, 467
9333102373	FLAG, RETAINER	285, 385, 441, 467
9333102618	DECAL, A2B	285, 385, 441, 467
9333102620	QUICK LINK,END SHACKLE 2-7/16"	149, 471, 475
9333102633	A2B FLAG ASSY	283, 383, 439, 465
9372220367	SPRING	143
9414101679	FILTER,OIL	321, 323, 325
9414990418	ALT BELT	325
9515101816	LOUVER, 3" EURO	36
95494	DECAL STAY CLEAR	95
95496	DECAL DANGER ELETROCUTION HAZA	91, 95
9576101347	BLADE, WIPER 34"	27
9826100013	WEDGE	137
9826100014	PIN	137
9914100044	CLIP	137
9999101803	SPRAY CORROSION PREVENTATIVE	141
A002012	PLATE KEEPER	183
A002600	RECEPTACLE	53
A005660	PHIL TMS	193
A006730	TERMINAL	51, 255
A015950	RETAINER, P-CLIP	259, 273
A015990	RETAINER, P-CLIP	109, 273
A016340	TERMINAL SLIP ON .25X.032 FEMA	255
A017540	PLATE KEEPER ZINC OOMAPI001	134
A01935	PLATE KEEPER 10mm(.394in)THICK	134
A019710	WIPER WINDSHIELD	87
A019720	VALVE, CHECK WASHER	87
A019730	CONNECTOR, BULKHEAD	65
A02019	FOOT PEDAL ASSY THROTTLE CONTR	49
A020212	HOUSING FOOT PEDAL	73
A020232	PEDAL FOOT	73

From - 90048383

To - A020232

CLICK HERE TO **DOWNLOAD** THE COMPLETE MANUAL

- Thank you very much for reading the preview of the manual.
- You can download the complete manual from: [www.heydownloads.com](http://www.heydownloads.com) by clicking the link below



- Please note: If there is no response to CLICKING the link, please download this PDF first and then click on it.

CLICK HERE TO **DOWNLOAD** THE COMPLETE MANUAL