

Manitowoc Cranes MACHINE COMPONENT INDEX

Date: June 26, 2020

Rev: 001

| <u>Model Number</u> 999 | | <u>Serial Number</u> 9991399 | |
|----------------------------|-----------|---------------------------------|--------|
| Item | Part | Description | Page |
| | | ROTATING STRUCTURE | |
| 1 | 80073535 | ROT BED COMPONENTS INSTALL | 1 |
| | 1772721 | DRUM MIRROR | 3 |
| | 1954152 | GEARBOX LESS WEATHERVANE | 5 |
| | 4655180 | SWING DRIVE | 7 |
| | 4651089 | INPUT ADAPTOR ASSY | 11 |
| | A032950 | BRAKE ASSEMBLY (NEGATIVE - RB | 13 |
| | 4650976 | KIT, BRAKE STACK AND SEAL | 15 |
| | 195602G | ELECTRICAL CONTROL WIRING | 19 |
| | 1766553 | SENDING UNIT ASSY | 21 |
| | 1956035 | SWITCH ASSEMBLY, CRANE REMOTE | 23 |
| | 1958741 | TURNTABLE GREASING ASSEMBLY | 27 |
| | 1960081 | ALARM, SWING AND TRAVEL | 29 |
| | 81039109 | PLATE CRANE ID - SG | NO DWG |
| | 1963811 | MAST ASSEMBLY | 33 |
| | 1957089 | SHEAVE ASSEMBLY 20IN | 35 |
| | 1963812 | MAST ASSEMBLY | 37 |
| | 3856060 | CYLINDER HYD | 39 |
| | 810081451 | BOOM STOP ASSY | 41 |
| | 1768139 | SWITCH ASSY BOOM STOP | 43 |
| | 1768064 | BRACKET W/2-289797 BUSHING | 45 |
| | 810126341 | GANTRY ASSY | 47 |
| | 1766244 | LINK PENDANT W/290037 BUSHING | 49 |
| | 1958424 | LINK CWT HANDLING LH | 51 |
| | 1958444 | LINK CWT HANDLING RH | 53 |
| | 6462450 | SOCKET/WEDGE, 7/8" (22 MM) | 55 |
| | 810126342 | GANTRY ASSY | 57 |
| | 3856490 | CYLINDER 8" BORE SS FORGED ROD | 59 |
| | A114299 | VALVE ASSY D05 3BNK W | 61 |
| | 1954231 | MANIFOLD ASSEMBLY | 63 |
| 1 | A009911 | JOBBOX FOR PARTS STORAGE, MODE | 65 |
| | 810073550 | PARTS BOX | NO DWG |
| 1 | 80087245 | DECAL INSTL-999 | 67 |
| | 80085115 | DECAL INSTL-999 CAB | 69 |

CLICK HERE TO **DOWNLOAD** THE COMPLETE MANUAL

- Thank you very much for reading the preview of the manual.
- You can download the complete manual from: www.heydownloads.com by clicking the link below



- Please note: If there is no response to CLICKING the link, please download this PDF first and then click on it.

CLICK HERE TO **DOWNLOAD** THE COMPLETE MANUAL

Manitowoc Cranes MACHINE COMPONENT INDEX

Date: June 26, 2020

Rev: 001

| <u>Model Number</u> 999 | | <u>Serial Number</u> 9991399 | |
|----------------------------|----------|--|--------|
| Item | Part | Description | Page |
| 46 | 1769534 | INSERT 10 FT #134 JIB | 885 |
| | 2767290 | PENDANT EACH | NO DWG |
| 49 | 1769535 | INSERT 20 FT #134 JIB | 887 |
| 49 | 2182140 | BALL ASSEMBLY - 15 TON OVERHAUL (COMPLETE ASSEMBLY) | 889 |
| | 6462460 | SOCKET/WEDGE, 1" (26 MM) | 891 |
| 51 | 81032607 | #134 FIXED JIB ASSEMBLY | 893 |
| | 0903171 | UNIV WR ANCHOR JOINT ASSY | 895 |
| | 0903172 | UNIV WR ANCHOR JOINT 1" | 897 |
| | 6462460 | SOCKET/WEDGE, 1" (26 MM) | 899 |
| | 0903182 | SHEAVE ASSY, JIB POINT | 901 |
| | 1770624 | TOP 15 FT #134 JIB 32948-3 | 903 |
| | 1770629 | #134 JIB ASSY | 907 |
| | 1767996 | SHEAVE ASSY | 909 |
| | 1793531 | LOAD SENSOR SHEAVE-FIXED JIB | 911 |
| | 195549B | WITH #123 OR #134 FIXED JIB | 913 |
| | 1957499 | SWITCH ASSEMBLY BLOCK | 915 |
| | 1770804 | LEVER ASSY | 917 |
| 51 | 2365030 | BLOCK, HOOK | 919 |
| 62 | 1655485 | SOCKET-WEDEGE FOR UPPER POINT | 921 |
| | 6462460 | SOCKET/WEDGE, 1" (26 MM) | 923 |
| 64 | 1770427 | SOCKET WEDGE FOR 1" WIRE ROPE | 925 |
| 65 | 1954591 | BOOM RIGGING | 927 |
| 67 | 1958911 | WIND SPEED INDICATOR ASSEMBLY | 931 |
| 69 | 1958915 | BRACKET FOR WIND SPEED IND | 933 |
| 71 | 1958917 | BRACKET FOR WIND SPEED IND | 935 |
| 74 | 1958913 | ENGLISH WIND SPEED INDICATOR | 939 |
| | 4894170 | INDICATOR INCLUDES 60 FT CABLE | 941 |
| | A044140 | SENSOR, WIND SPEED | 943 |

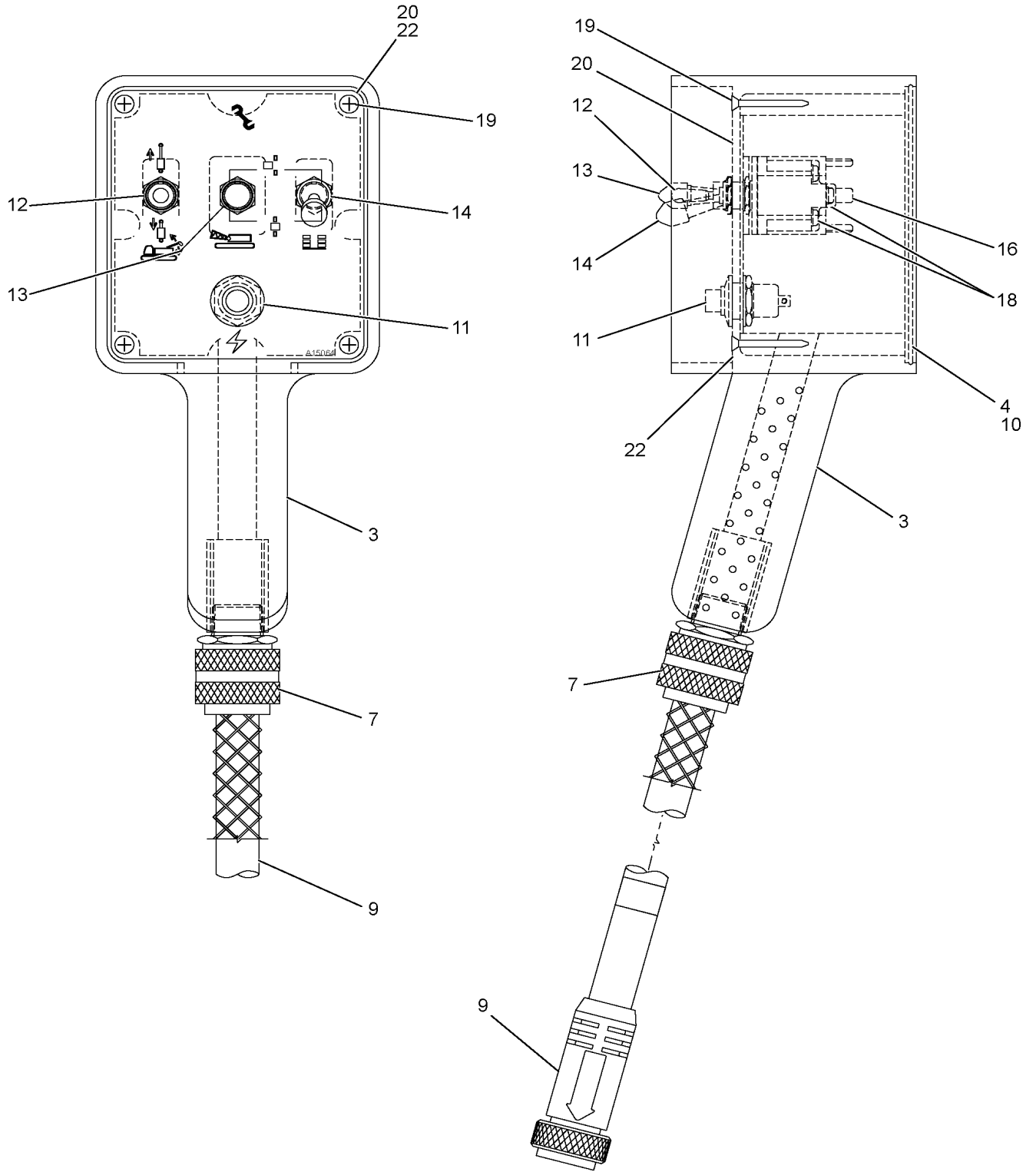
Manitowoc Cranes

Description
INPUT ADAPTOR ASSY

Assembly No.
4651089
Revision:

| Item | FN | Part | Qty | Description |
|------|----|------------|-----|--------------------------------|
| 1 | | 9490220103 | 1 | HOUSING |
| 2 | | 9490220104 | 1 | SHAFT |
| 3 | | 9701220008 | 1 | PISTON |
| 4 | | 9490220008 | 1 | DISK, O-RING |
| 5 | | 9490220105 | 1 | RING (FOR BEARING) |
| 6 | | 9689220006 | 4 | PIN |
| 7 | | 9490220106 | 4 | PIN |
| 8 | | 9834220011 | 4 | SPRING |
| 9 | | 9490220107 | 1 | RING,EXTERNAL SNAP(50 UNI7435) |
| 10 | | 9490220196 | 1 | RING,INTERNAL SNAP 80 UNI 7437 |
| 11 | | 9490220108 | 1 | RING,INTERNAL SNAP 120UNI 7437 |
| 12 | | 9490220109 | 1 | RING,INTERNAL SNAP 130UNI 7437 |
| 13 | | 9754220034 | 1 | RING, PARBAK (8-155) |
| 14 | | 9754220035 | 1 | RING, PARBAK (8-156) |
| 15 | | 9754220036 | 2 | RING, PARBAK (8-158) |
| 16 | | 9754220037 | 1 | O-RING 2-155 (2,62x101,27) |
| 17 | | 9754220038 | 1 | O-RING 2-156 (107,62x2,62) |
| 18 | | 9754220039 | 2 | O-RING 2-158 (2,62x120,32) |
| 19 | | 9754220040 | 1 | O-RING 2-159 (126,67x2,62) |
| 20 | | 9069220007 | 1 | BEARING, BALL |
| 21 | | 9834220008 | 4 | SPRING |
| 22 | | 9949220001 | 4 | WASHER, BONDED (3/8G) |
| 23 | | 9490220110 | 4 | BALL 1/4" (RB-6,35) |
| 24 | | 9490220111 | 2 | PLUG, PLASTIC (M12) |
| 25 | | 9576101141 | 4 | PLUG |
| 26 | | 9490220068 | 1 | PLUG, DRAIN (1/4) |

Manitowoc Cranes

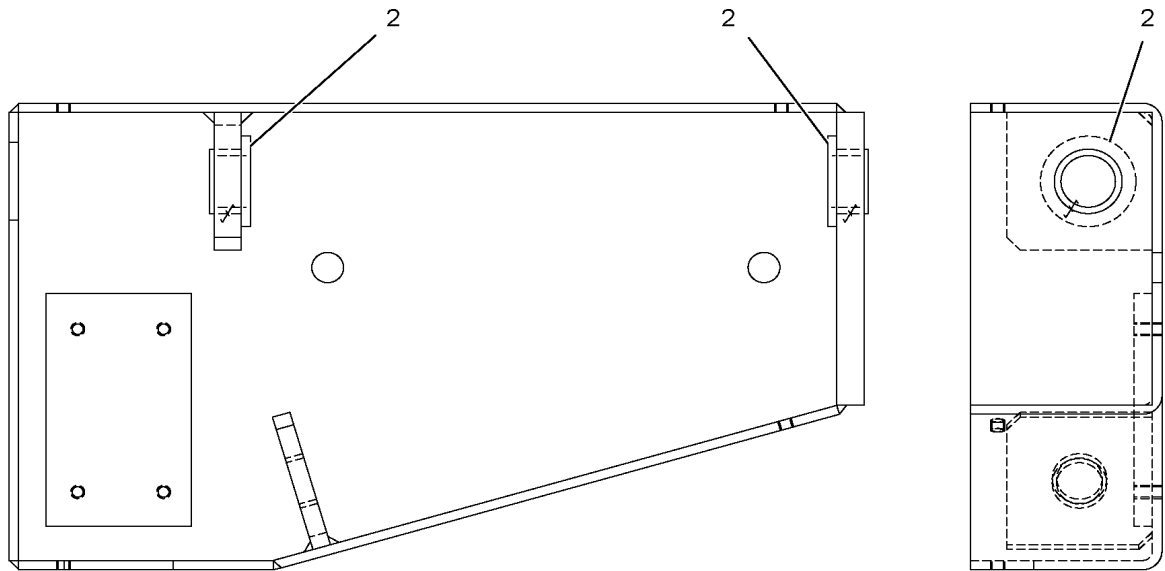


Manitowoc Cranes

| Description MAST ASSEMBLY | | | | Assembly No. 1963811 Revision: FJ |
|-------------------------------------|----|------------|-----|---|
| Item | FN | Part | Qty | Description |
| 1 | | 1963802 | 1 | MAST |
| 4 | | 1766602 | 1 | SHAFT |
| 5 | | 1766612 | 2 | SLEEVE |
| 6 | | 1766622 | 4 | SPACER |
| 7 | | 1766632 | 1 | SPACER |
| 8 | | 1766642 | 1 | SPACER |
| 9 | | 1784744 | 2 | LINK |
| | | 2900380 | 1 | INCLUDES THE FOLLOWING PARTS BUSHING |
| 10 | | 0798162 | 1 | END PLATE |
| 11 | | 1368952 | 2 | KEEPER |
| 12 | | 5541660 | 2 | PAD |
| 14 | | 2775110 | 2 | PENDANT EACH |
| 18 | | 1957092 | 1 | GUARD |
| 19 | | 0792589 | 2 | PIN |
| 22 | | 5962920 | 2 | RING |
| 23 | | 6140410 | 8 | SFHCS |
| 25 | | 7115201650 | 4 | HHCS 5/8-11UNCx2 G5 |
| 26 | | 6125570 | 3 | SCREW, HEX CAP |
| 27 | | 6125530 | 4 | SCREW, HEX HEAD CAP |
| 28 | | 6127130 | 2 | HHCS |
| 29 | | 7103070 | 4 | WASHER, LOCK |
| 30 | | 7103080 | 2 | WASHER, LOCK |
| 31 | | 5621510 | 2 | PIN, COTTER |
| 32 | | 4290100 | 6 | FITTING LUBE, NPT .25 |
| 39 | | 1776062 | 2 | LINK |
| 53 | | 5621740 | 4 | PIN COTTER |
| 59 | | 1776062 | 2 | LINK |
| 90 | | A097220 | 10 | SHEAVE ASSY NOT FIELD REPAIRABLE |
| 91 | + | 1957089 | 2 | SHEAVE ASSEMBLY 20IN |

+ SEE FURTHER BREAKDOWN THIS GROUP

Manitowoc Cranes



Manitowoc Cranes

Description

SOCKET/WEDGE, 7/8" (22 MM)

Assembly No.

6462450

Revision:

| Item | FN | Part | Qty | Description |
|------|----|------------|-----|------------------------|
| 1 | | 9826220008 | 1 | SOCKET (7/8") |
| 2 | | 9826220009 | 1 | PIN, SOCKET (7/8") |
| 3 | | 7132650 | 1 | WEDGE |
| 4 | | 9826220010 | 1 | CLIP, WIRE ROPE (7/8") |
| 5 | | 9826220011 | 1 | PIN, COTTER |

Manitowoc Cranes

Notes

Manitowoc Cranes

Description

DECAL INSTL-999 UPPER

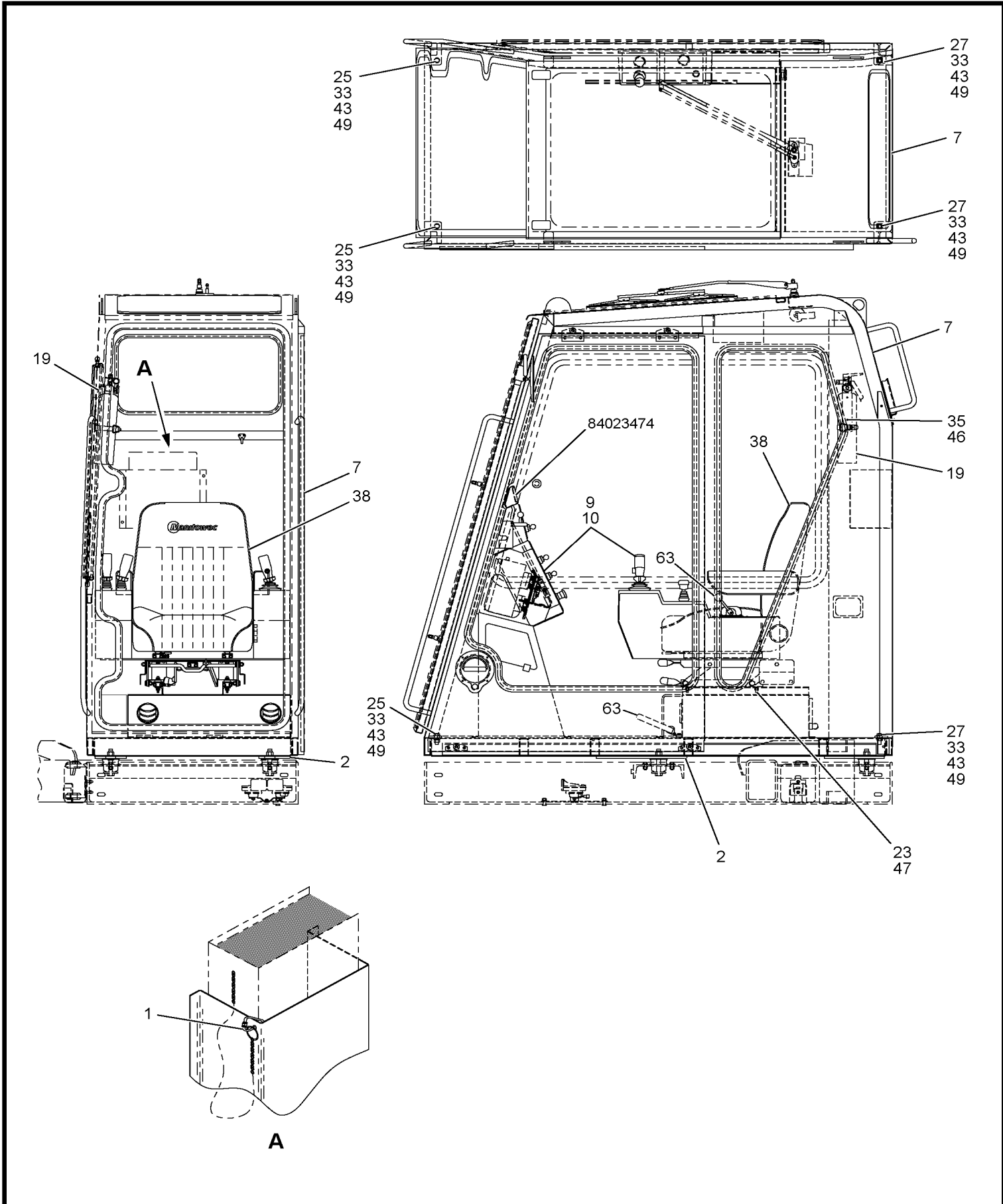
Assembly No.

80085119

Revision: **A**

| Item | FN | Part | Qty | Description |
|------|----|-----------------|-----|--------------------------------|
| 3 | | 0954969 | 1 | SIGN DANGER ELECTROCUTION HAZA |
| 7 | | 1728592 | 1 | DECAL-CAUTION-REMOTE CAUTION-R |
| 10 | | 1768522 | 1 | DECAL-DIESEL FUEL |
| 11 | | 1768532 | 1 | DECAL-HYDRAULIC OIL |
| 17 | | 1961632 | 3 | DECAL WARNING |
| 18 | | 1961642 | 2 | DECAL WARNING |
| 21 | | 1961190 | 1 | DECAL |
| 23 | | 80086479 | 1 | DECAL-HYDRAULIC TANK LEVEL |
| 36 | | 1970042 | 4 | DECAL |
| 38 | | 1775762 | 1 | DECAL WARNING NOT A STEP |
| 41 | | 176856 | 1 | DECAL-WARNING-CRUSH HAZARD |
| 69 | | 1971512 | 1 | DECAL, FIRE EXTINGUISHER |
| 91 | | A114490 | 1 | DECAL CAUTION BATTERY DISCONN |
| 92 | | A114500 | 1 | DECAL, POWER OFF |
| 93 | | A114510 | 1 | DECAL, POWER ON |

Manitowoc Cranes



Manitowoc Cranes

Description

RIGHT SIDE CONTROL CONSOLE

Assembly No.

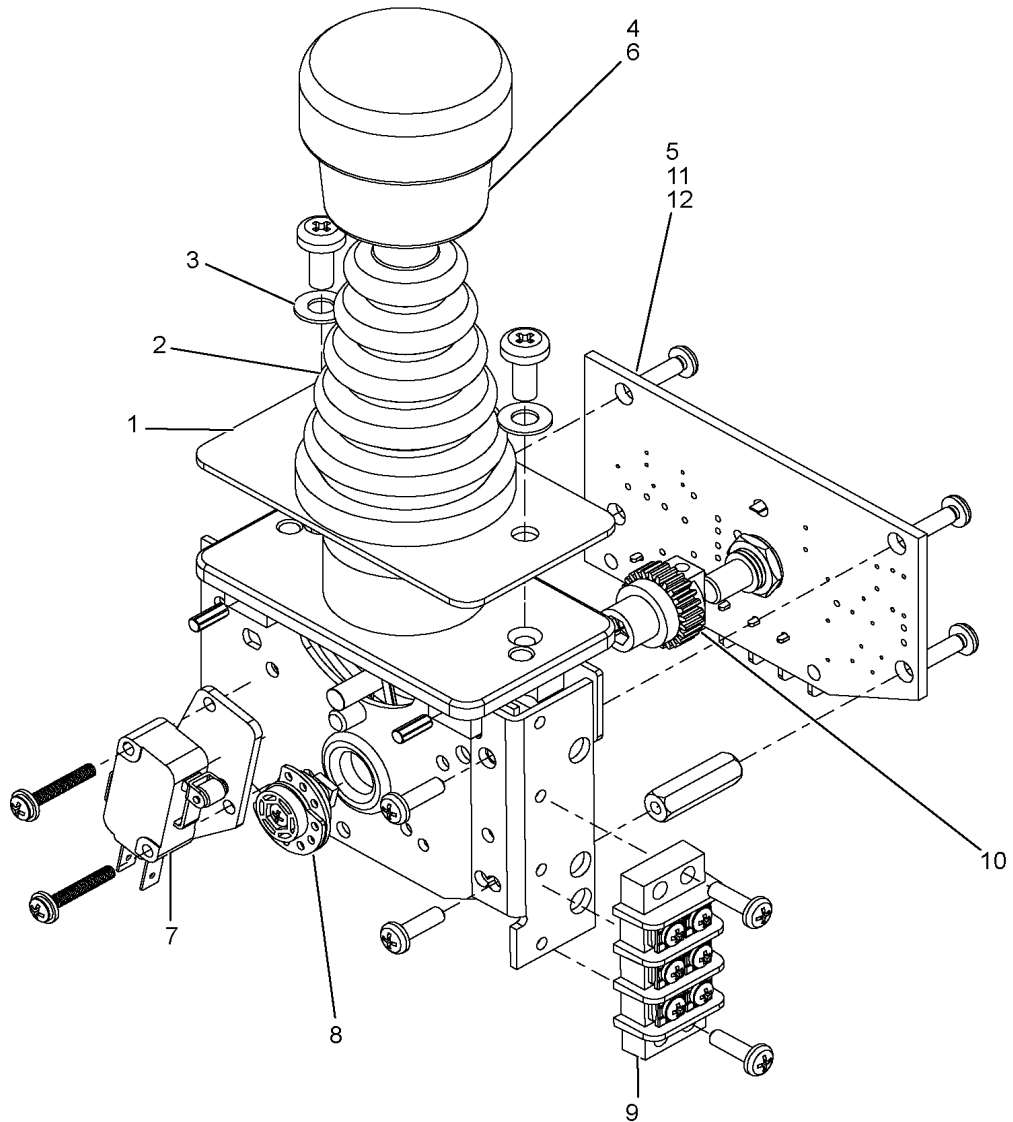
1955251

Revision: E

| Item | FN | Part | Qty | Description |
|------|----|-----------|-----|--|
| 1 | | 1764262 | 1 | CONSOLE |
| 2 | | 1764362 | 1 | CONSOLE MOLDED PLASTIC RH |
| 5 | | 1784572 | 1 | COVER PLATE |
| 6 | | A150450 | 1 | NAMEPLATE |
| 8 | | 3503380 | 1 | CLOSURE |
| 9 | | 1965672 | 1 | PLATE |
| 10 | | 1965682 | 1 | PLATE |
| 12 | | 2931100 | 1 | BUTTON HORN |
| 13 | | 810196960 | 14 | F WASHER |
| 14 | | 6184030 | 14 | PHIL TMS |
| 15 | | 6184170 | 10 | PHIL TMS 8-32UNC X 0.50 GR 1 |
| 16 | | 810034210 | 4 | PHIL TMS |
| 17 | | 810196970 | 4 | F WASHER |
| 20 | + | 6726640 | 1 | SWITCH |
| 21 | + | 6726660 | 1 | SWITCH |
| 26 | + | 6726660 | 1 | SWITCH |
| | | | | AUX DRUM OPTION - ITEMS 26, 28, 29 AND 30 |
| 28 | | 810034210 | 2 | PHIL TMS |
| 29 | | 810196970 | 2 | F WASHER |
| 30 | | A157760 | 1 | NAMEPLATE |

+ SEE FURTHER BREAKDOWN THIS GROUP

Manitowoc Cranes



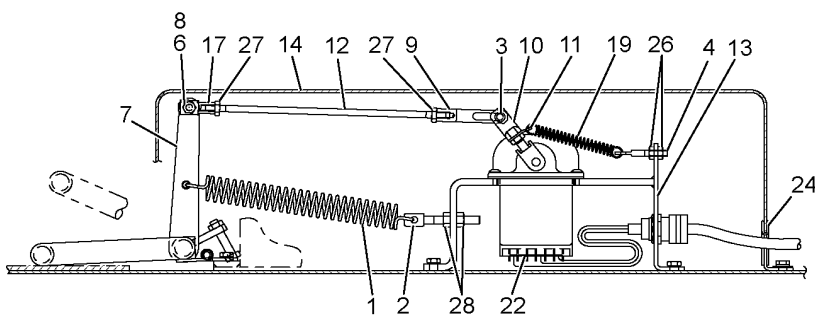
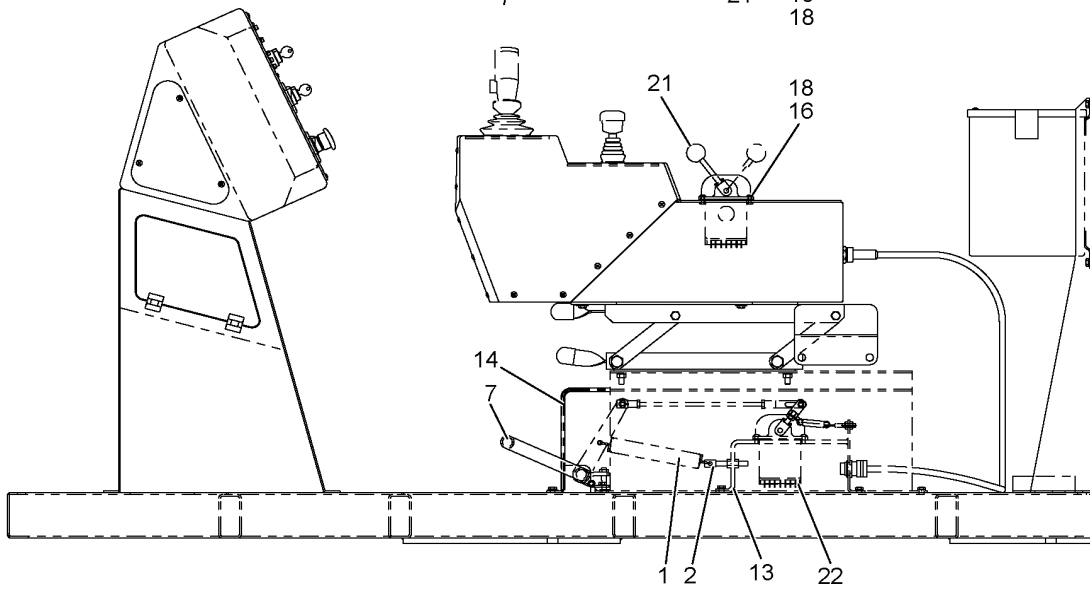
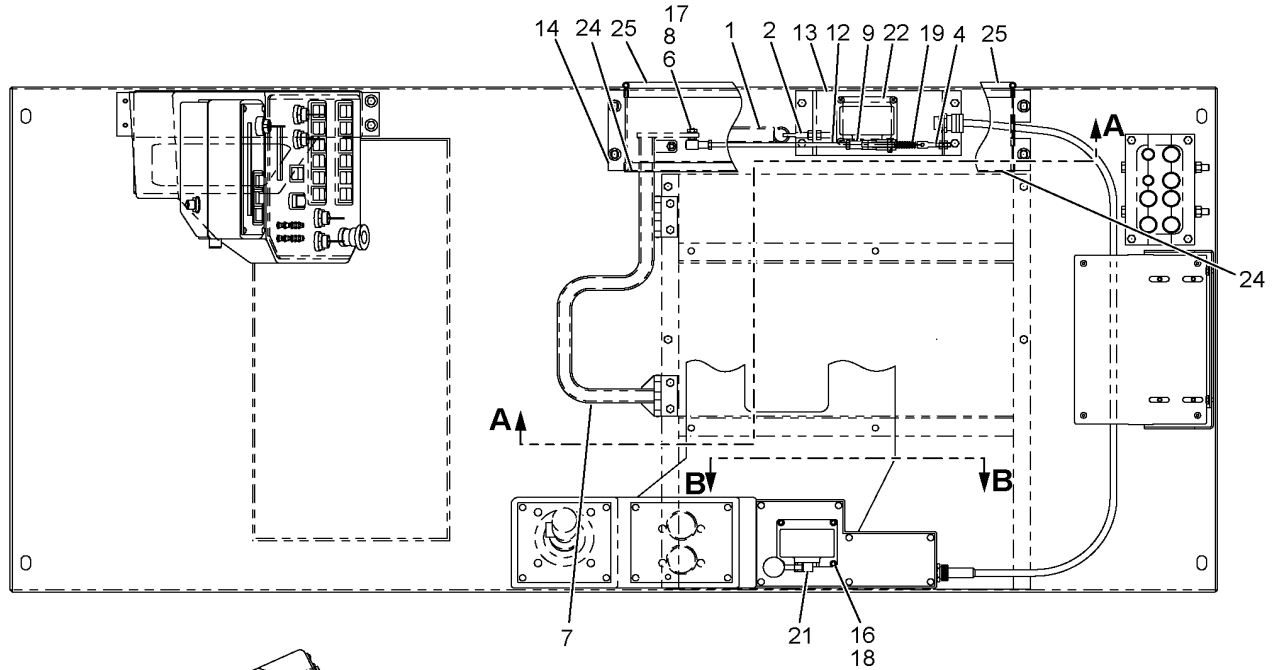
Manitowoc Cranes

Description
ESI, CAB

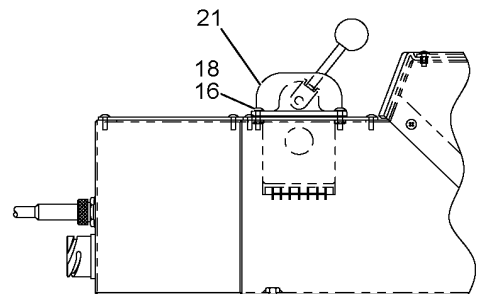
Assembly No.
81032911
Revision:

| Item | FN | Part | Qty | Description |
|------|----|-----------|-----|--------------------------------|
| 6 | | 3050130 | 2 | CAP |
| 8 | | 4567670 | 1 | GASKET ASSEMBLY, CONDUIT |
| 9 | | 4717150 | 1 | CORD, GRIP |
| 11 | | 810335640 | 1 | WIRING HARNESS |
| 12 | | 81037746 | 1 | WIRING HARNESS FRONT CONSOLE J |
| 13 | | 4774980 | 1 | HARNESS |
| 14 | | 4774990 | 1 | HARNESS |
| 16 | | 6805410 | 2 | RING, TERMINAL |
| 17 | | 6806620 | 2 | TERMINAL, SLIP ON |
| 19 | | 5485550 | 1 | NUT, LOCK CONDUIT |
| 21 | | 5723260 | 1 | PLUG |
| 23 | | 5723350 | 1 | PLUG |
| 29 | | 5899750 | 2 | RECEPTACLE |
| 30 | | 5896350 | 1 | RECEPTACLE, FEMALE MINI-CHANGE |
| 31 | | 5896500 | 1 | RECEPTACLE |
| 32 | | 6808230 | 5 | TERMINAL |
| 33 | | 6807100 | 3 | TERMINAL |

Manitowoc Cranes



A - A



B - B

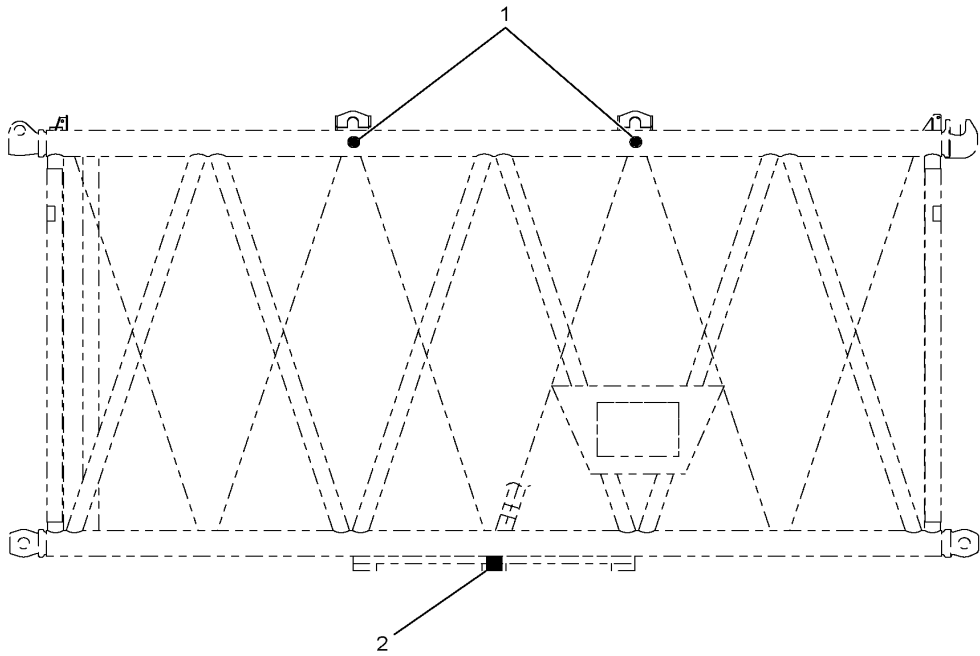
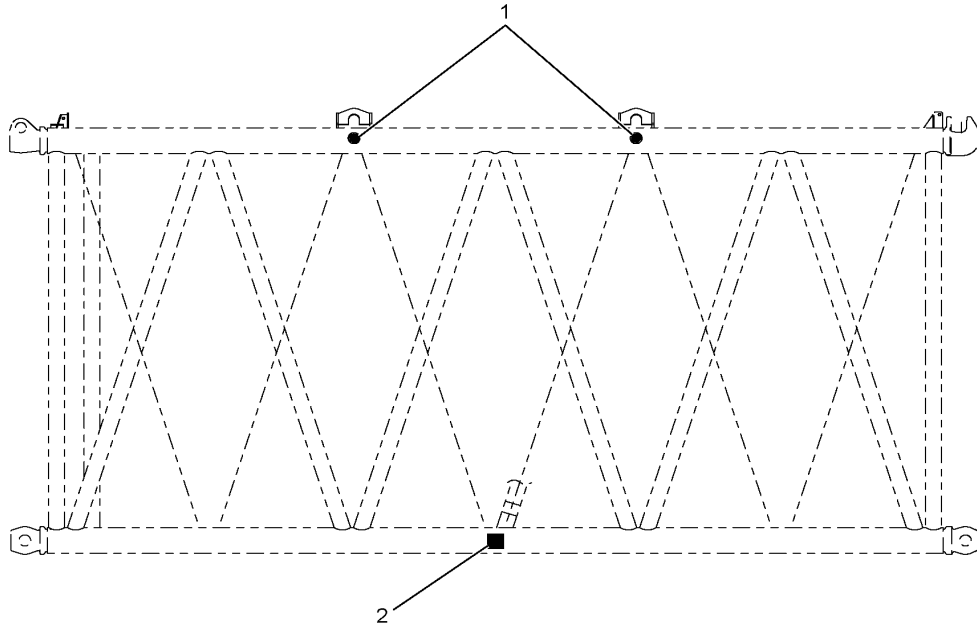
Manitowoc Cranes

Description
STANDARD TOOLS

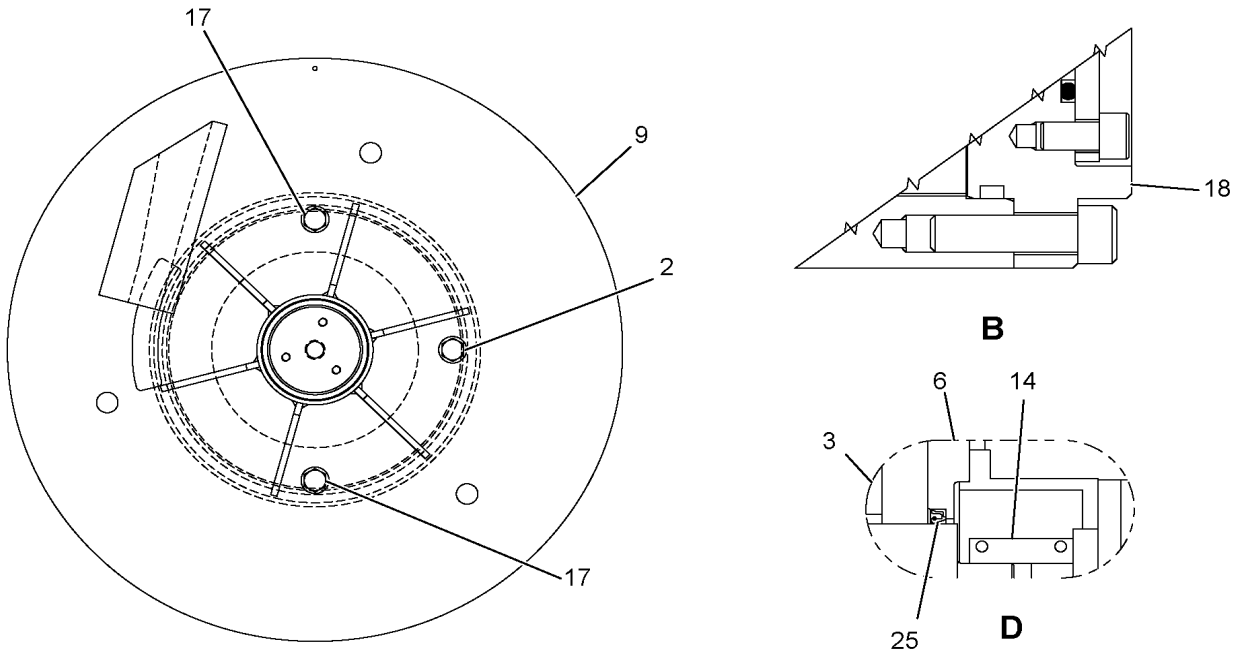
Assembly No.
0222055
 Revision: **A**

| Item | FN | Part | Qty | Description |
|------|----|--|---|--|
| 1 | | 4999770 0735622 1771122 3492910 4998200 7222090 7224930 7225460 | 1 50 1 1 1 1 1 1 | TOOLS, STANDARD INCLUDES THE FOLLOWING PARTS SHIM TOOL CLIP WIRE ROPE O RING KIT WRENCH OPEN END WRENCH THIN OPEN END 1-1/2 WRENCH STRIKER |

Manitowoc Cranes



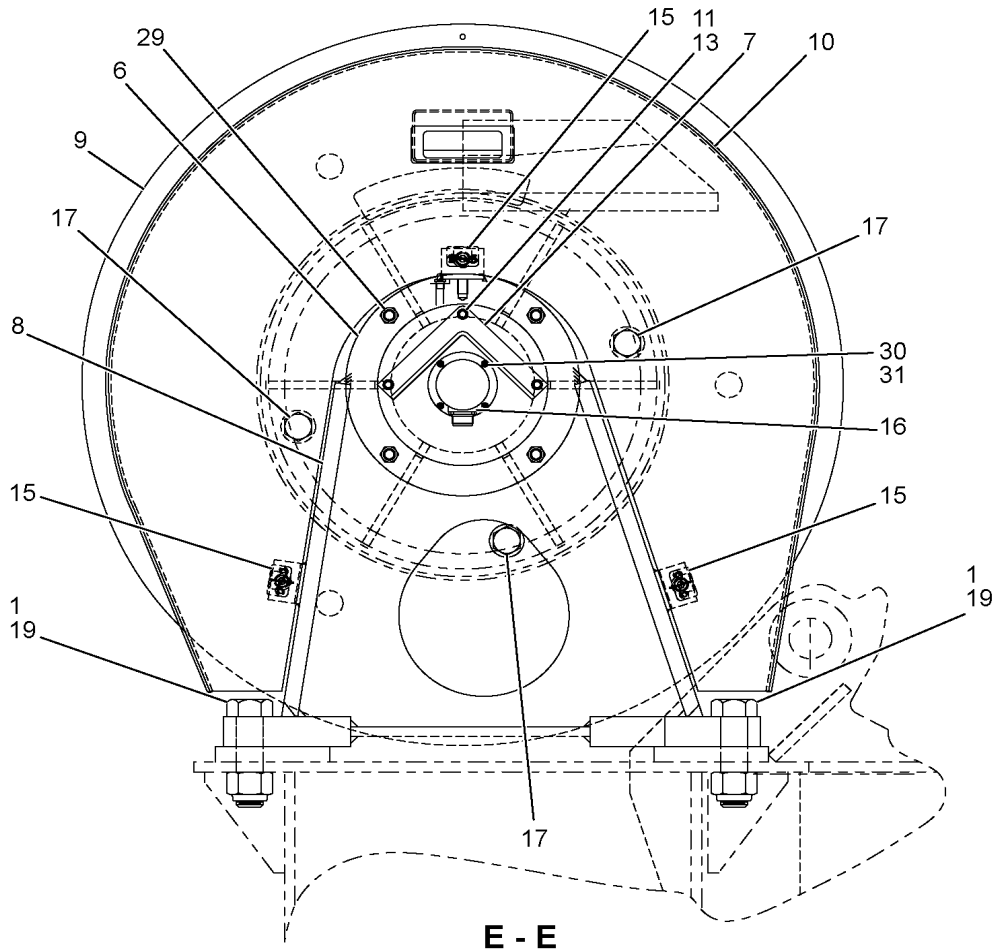
Manitowoc Cranes



C - C

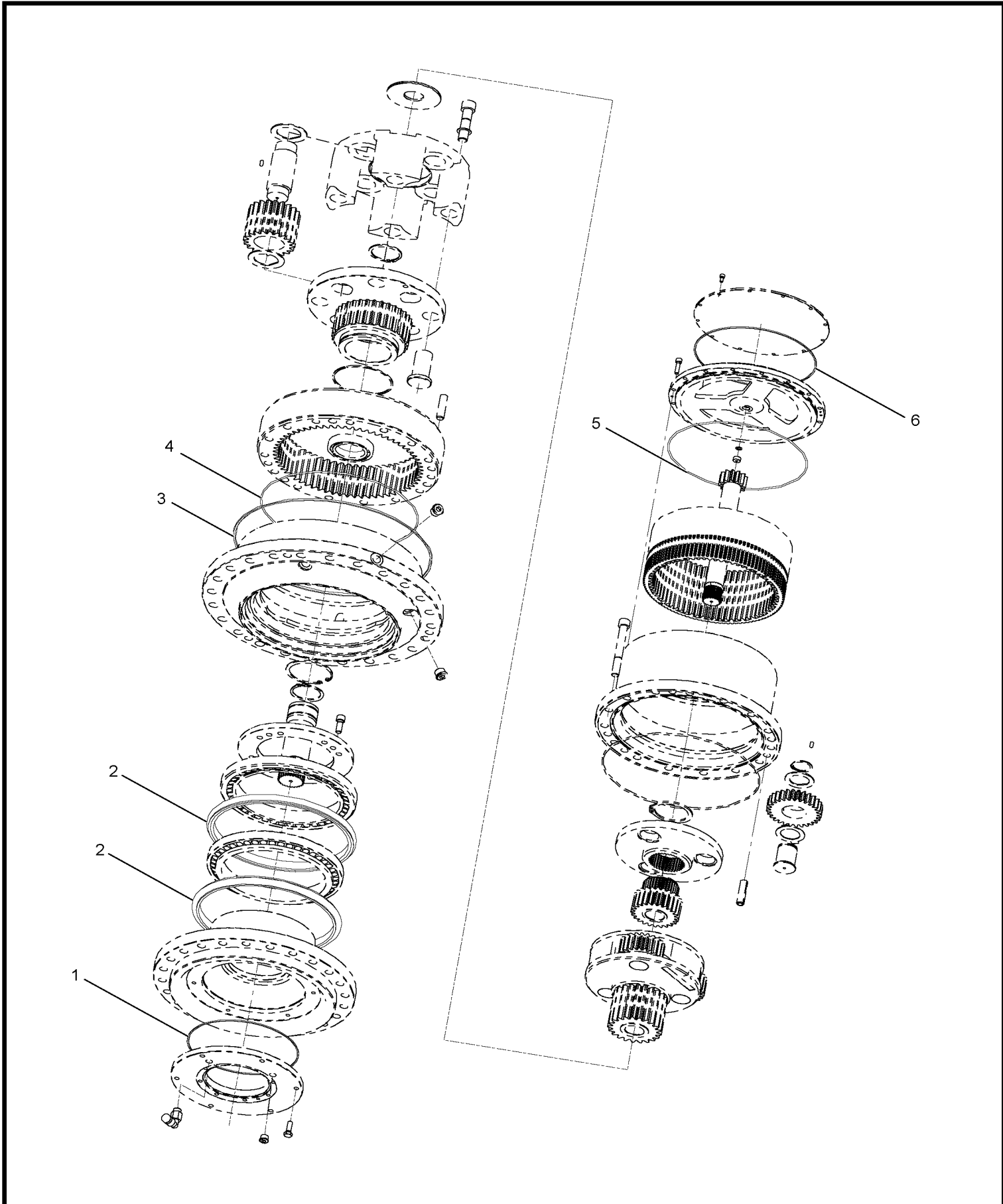
B

D



E - E

Manitowoc Cranes



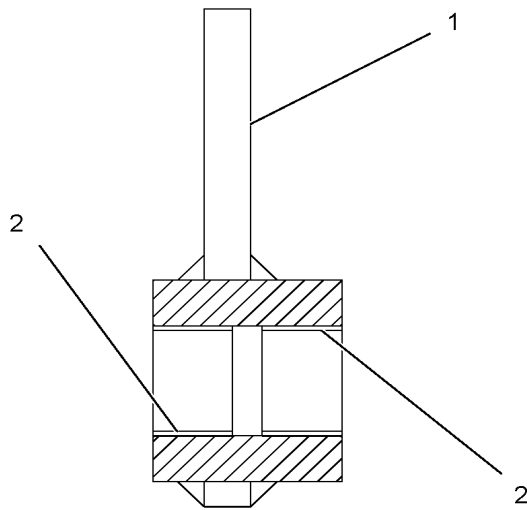
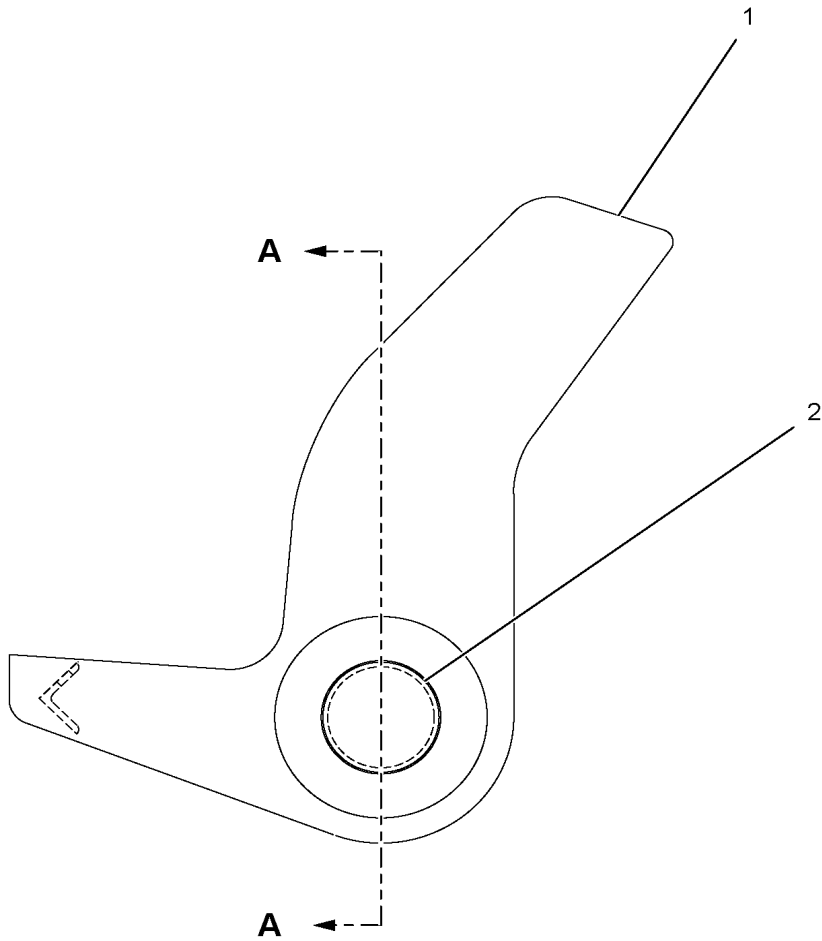
Manitowoc Cranes

Description
KIT, EQ CONTROL

Assembly No.
5364694
Revision:

| Item | FN | Part | Qty | Description |
|------|----|------------|-----|-----------------|
| 1 | | 7031250 | 1 | PCP |
| 2 | | 7031255 | 1 | KIT, PCP VALVE |
| 3 | | 9632220016 | 4 | SCREW, SOC HD |
| 4 | | 9632220071 | 1 | COVER |
| 5 | | 9632220072 | 1 | GASKET |
| 6 | | 9632220073 | 4 | SCREW |
| 7 | | 9632220074 | 1 | PISTON, SHUTTLE |
| 8 | | 9632220075 | 1 | SPRING |
| 9 | | 9632220076 | 1 | PIN |
| 10 | | 9632220077 | 1 | O-RING |
| 11 | | 9632220005 | 2 | PLUG |
| 12 | | 9632220035 | 2 | O-RING |
| 13 | | 9632220051 | 1 | O-RING |
| 14 | | 9632220079 | 1 | O-RING |
| 15 | | 9632220225 | 1 | PLUG |
| 16 | | 9632220036 | 1 | O-RING |

Manitowoc Cranes



A - A

Manitowoc Cranes

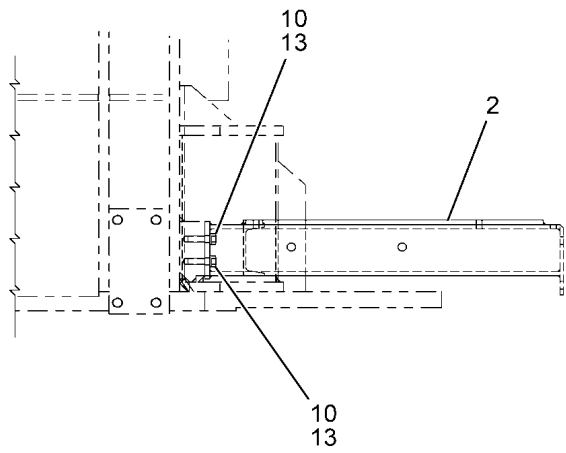
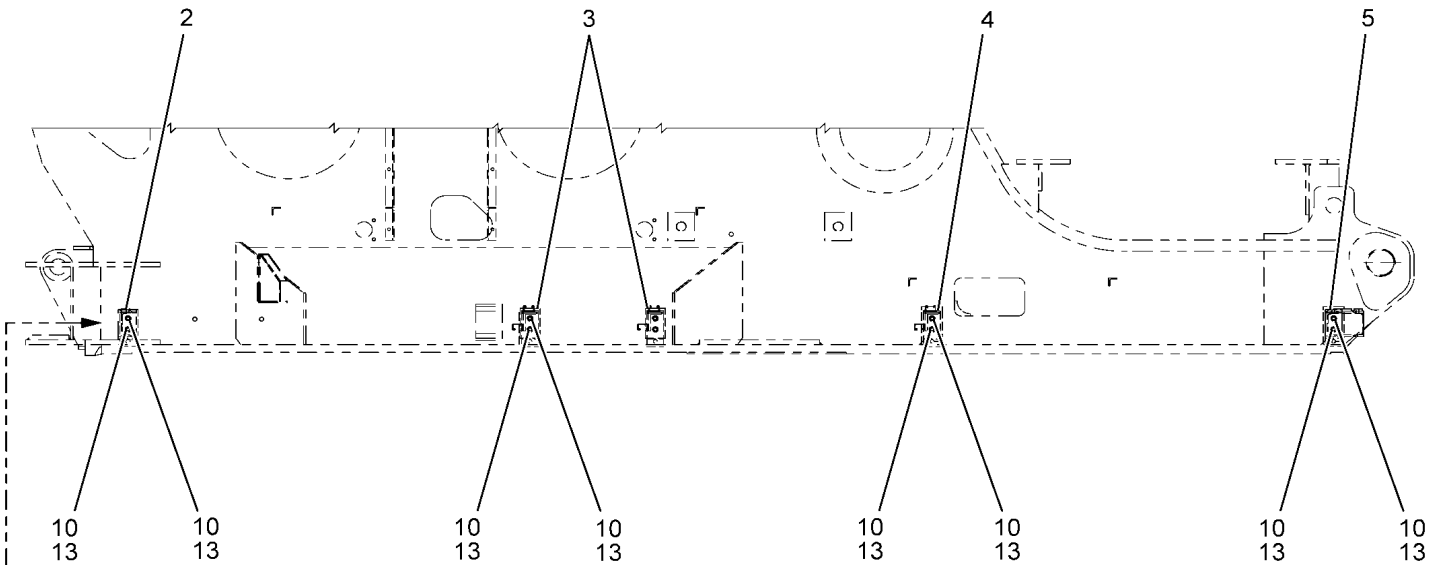
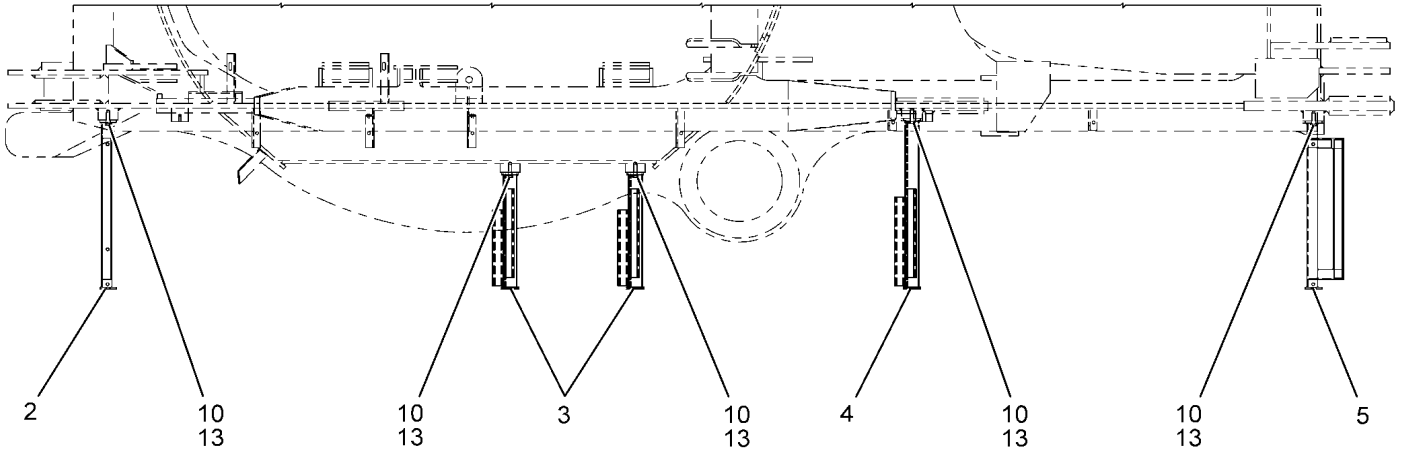
Description
CYLINDER, HYDRAULIC

Assembly No.
3855980
 Revision: **FA**

| Item | FN | Part | Qty | Description |
|------|----|-------------------|-----|---------------|
| 1 | * | 9372220172 | 1 | WIPER, ROD |
| 2 | * | 9372220173 | 1 | O-RING |
| 3 | * | 9372220175 | 2 | U-CUP |
| 4 | | 9372220030 | 1 | NUT, HEX |
| 5 | * | 9372220176 | 1 | POLY-PAK |
| 6 | * | 9372220177 | 1 | O-RING |
| 7 | * | 9372220178 | 1 | RING, BACK-UP |
| 8 | | 9372220179 | 2 | PLUG |
| 9 | * | 3855985 | 1 | KIT, SEAL |

* REPAIR KIT AND/OR PART OF KIT

Manitowoc Cranes



Manitowoc Cranes

Description

CAP END RIGHT SIDE FRONT

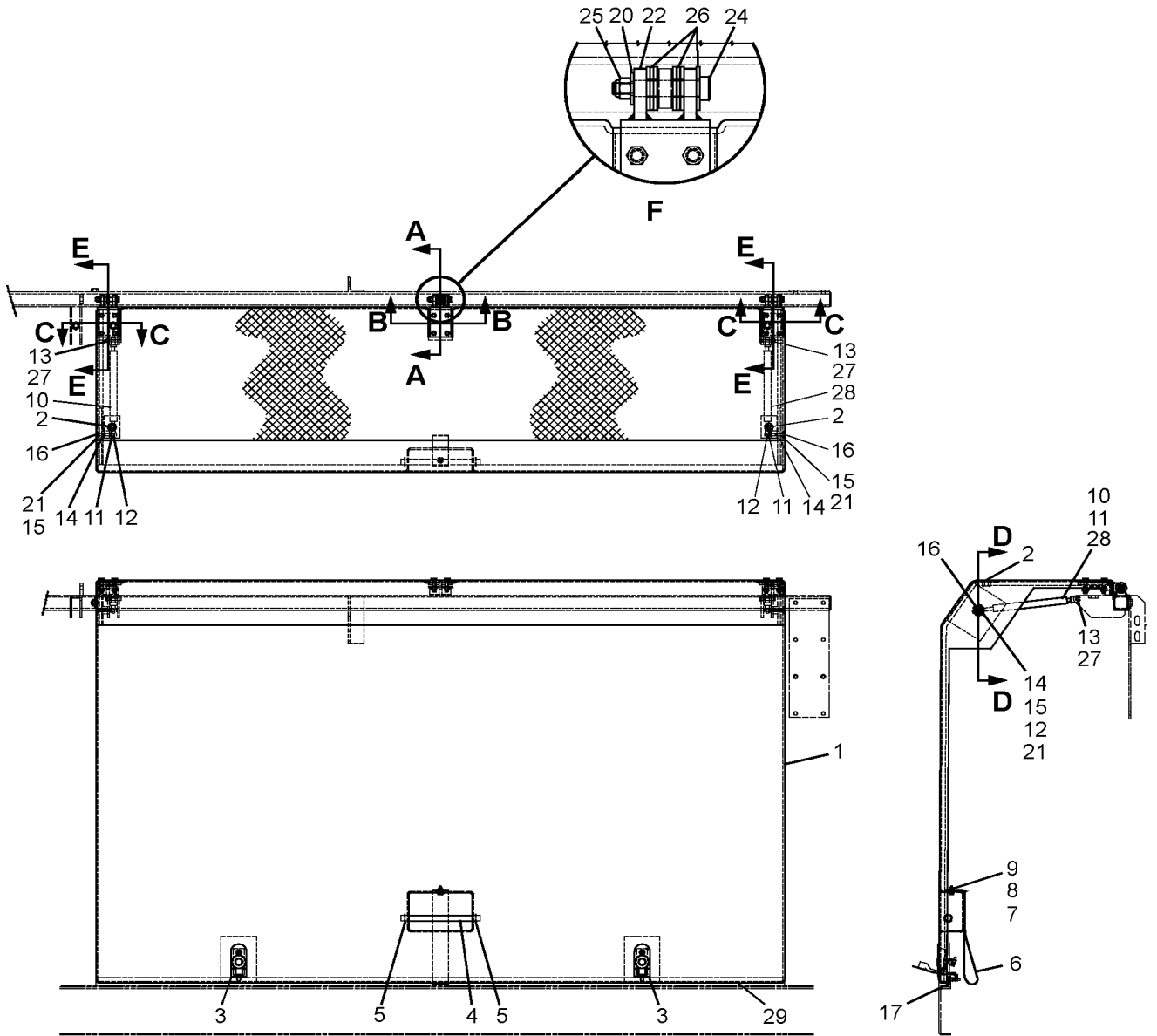
Assembly No.

4113740

Revision: **A**

| Item | FN | Part | Qty | Description |
|------|----|------------|-----|----------------------|
| 1 | | 4113920 | 1 | CAP |
| 2 | | 4116040 | 2 | PLUG, PLASTIC |
| 3 | | 9660220004 | 3 | NUT, HEX LOCK |
| 4 | | 9949220007 | 3 | WASHER, FLAT (1/4) |
| 5 | | 9099220010 | 2 | SCREW, HEX CAP |
| 6 | | 9099220007 | 4 | SCREW, HEX CAP |
| 7 | | 9660220005 | 8 | NUT, S.S. LOCK |
| 8 | | 9949220008 | 14 | WASHER, FLAT (3/8) |
| 9 | | 9099220011 | 2 | SCREW, S.S. SHOULDER |
| 10 | | 9949220010 | 8 | WASHER, FLAT (S.S.) |

Manitowoc Cranes



Manitowoc Cranes

Description
ENCLOSURE, COOLER SURROUND

Assembly No.
810144842
Revision: A

| Item | FN | Part | Qty | Description |
|------|----|------------|-----|-----------------------|
| 1 | | 810144852 | 1 | ENCLOSURE, FIBERGLASS |
| 2 | | 4116040 | 2 | PLUG, PLASTIC |
| 3 | | 4113580 | 4 | WEATHER STRIPPING |
| 4 | | 4116140 | 3 | PORT, ACCESS |
| 5 | | 9547220008 | 13 | NUT, LOCK |
| 6 | | 9547220009 | 13 | WASHER, FLAT (#10) |
| 7 | | 9949220007 | 5 | WASHER, FLAT (1/4) |
| 8 | | 9660220005 | 5 | NUT, S.S. LOCK |
| 9 | | 9949220008 | 10 | WASHER, FLAT (3/8) |
| 10 | | 9547220010 | 2 | SCREW, PAN HD (#10) |
| 11 | | 4116030 | 1 | BRACKET, SHOCK |

Manitowoc Cranes

Notes

Manitowoc Cranes

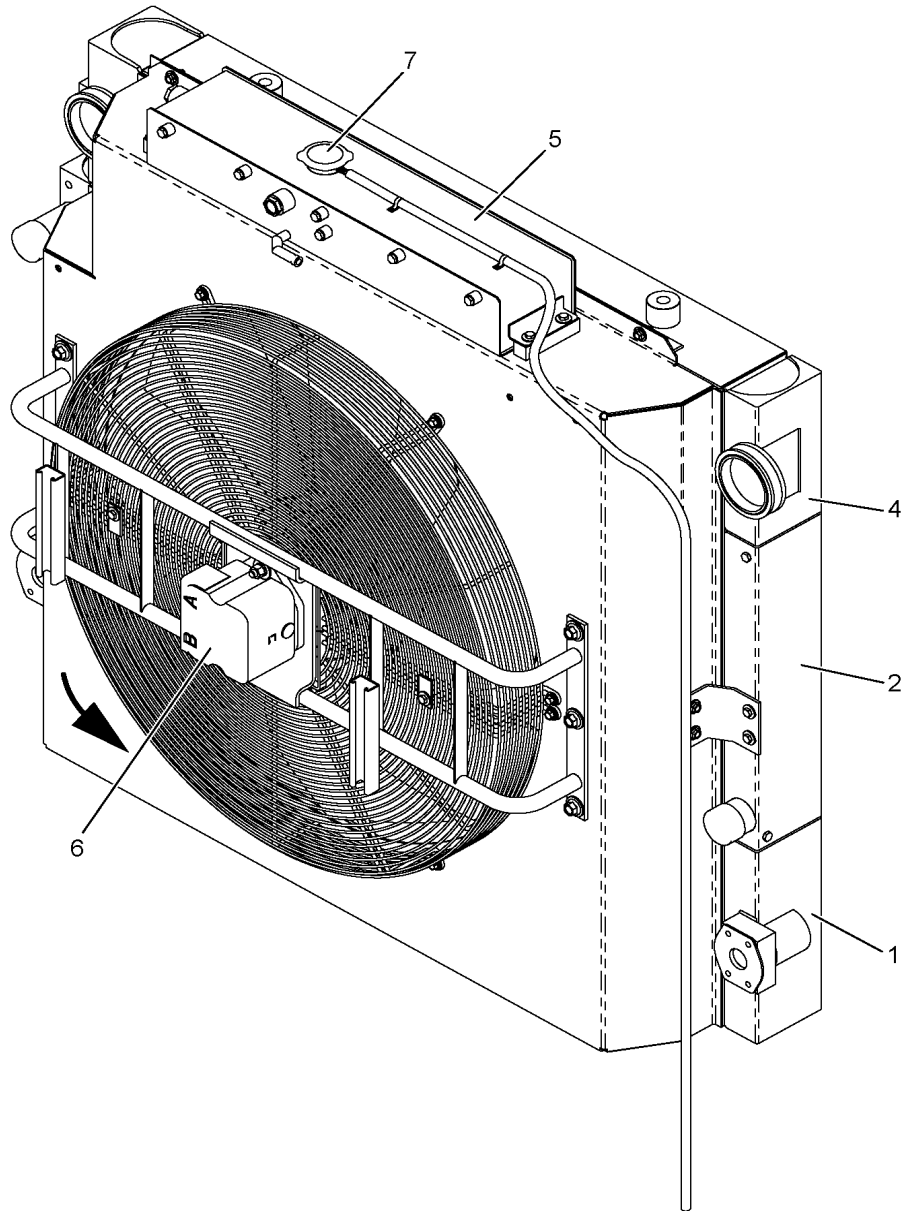
Description
EXHAUST ASSY

Assembly No.
810297361
Revision: F

| Item | FN | Part | Qty | Description |
|------|----|------------|-----|--|
| 1 | | 6124520 | 10 | HHCS 3/8-16UNC X 0.75 GR 5 |
| 2 | | 7094400 | 10 | WASHER, FLAT |
| 9 | | 810132150 | 1 | CLAMP |
| 12 | | 810223090 | 34 | SQ NUT |
| 17 | | 810297432 | 1 | TUBE PREFORMED |
| 18 | | 810297442 | 1 | BRACKET |
| 19 | | 810297452 | 1 | BRACKET |
| 20 | | 810297462 | 4 | BRACKET |
| 21 | | 810297472 | 1 | BRACKET |
| 22 | | 810297482 | 1 | BRACKET |
| 23 | | 810297492 | 1 | BRACKET |
| 24 | | 810297502 | 1 | TUBE PREFORMED |
| 25 | | 810329502 | 1 | PANEL ENCL |
| 26 | | 810329512 | 1 | PANEL ENCL |
| 27 | | 810329522 | 2 | BRACKET |
| 28 | | 810329532 | 1 | PANEL ENCL |
| 29 | | 810329542 | 1 | PANEL ENCL |
| 30 | | 810329552 | 1 | PANEL ENCL |
| 31 | | 810329562 | 1 | PANEL ENCL |
| 32 | | 810329582 | 1 | BRACKET |
| 33 | | 7127191353 | 11 | CAP SCREW, M10 X 30 |
| 35 | | 7127191553 | 2 | HHCS FULL THREAD |
| 36 | | 7661190804 | 13 | HEX LOCK NUT M10 |
| 37 | | 7951190014 | 26 | F WASHER 10 |
| 39 | | 81040466 | 34 | HHCS |
| - | * | 810297290 | 1 | ENGINE 380HP CUMMINS QSL9 T4F ITEMS 80016509, 80020080, 80020081, 80020082, 810117600, 81020361, 81020363, 81022526, 81022527, 81029741, 81029742, AND 80025501 COME WITH ENGINE KIT 810297290 |

* REPAIR KIT AND/OR PART OF KIT

Manitowoc Cranes



Manitowoc Cranes

Description

BATTERY ASSY CUMMINS QSL9 T4F

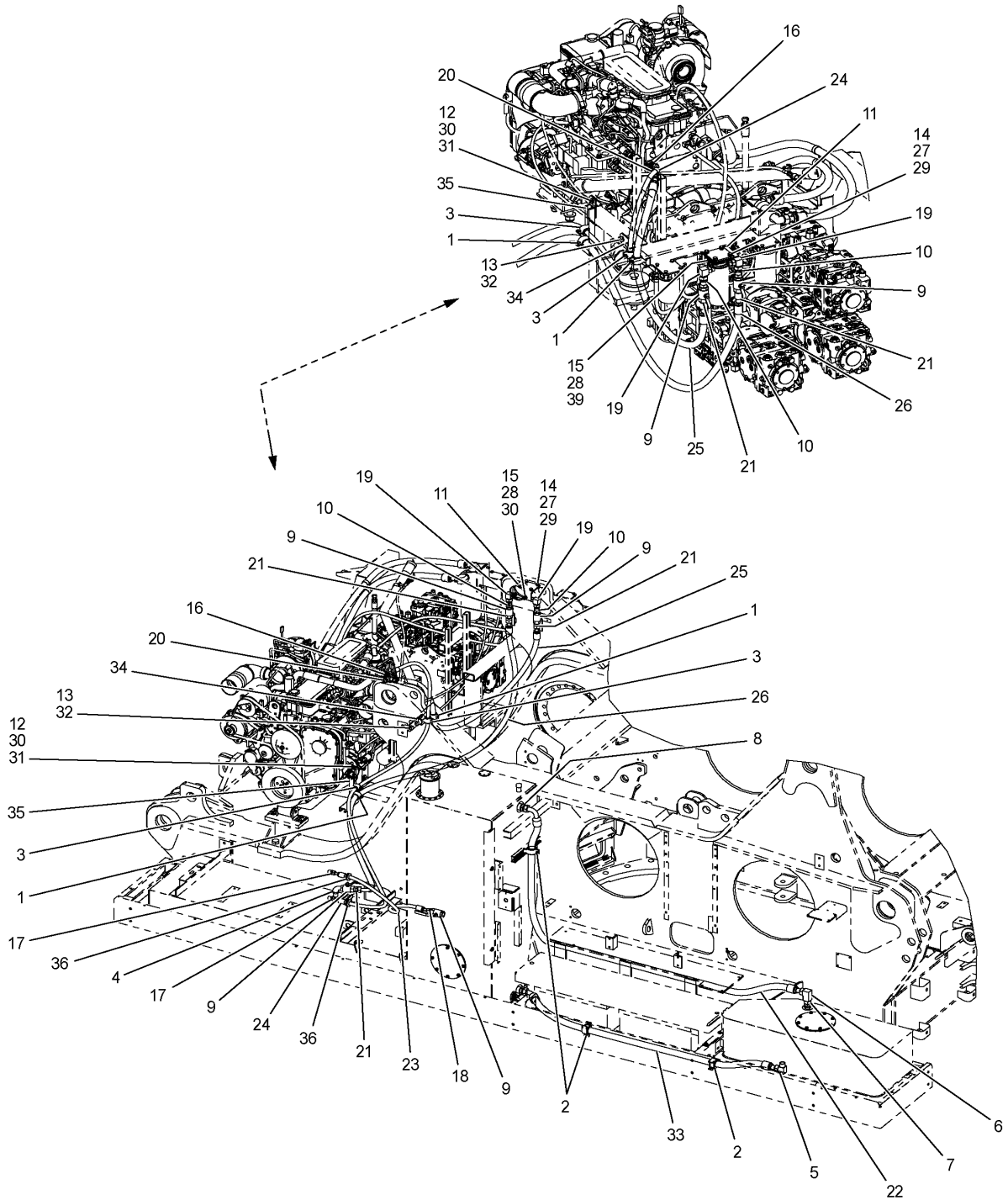
Assembly No.

810297381

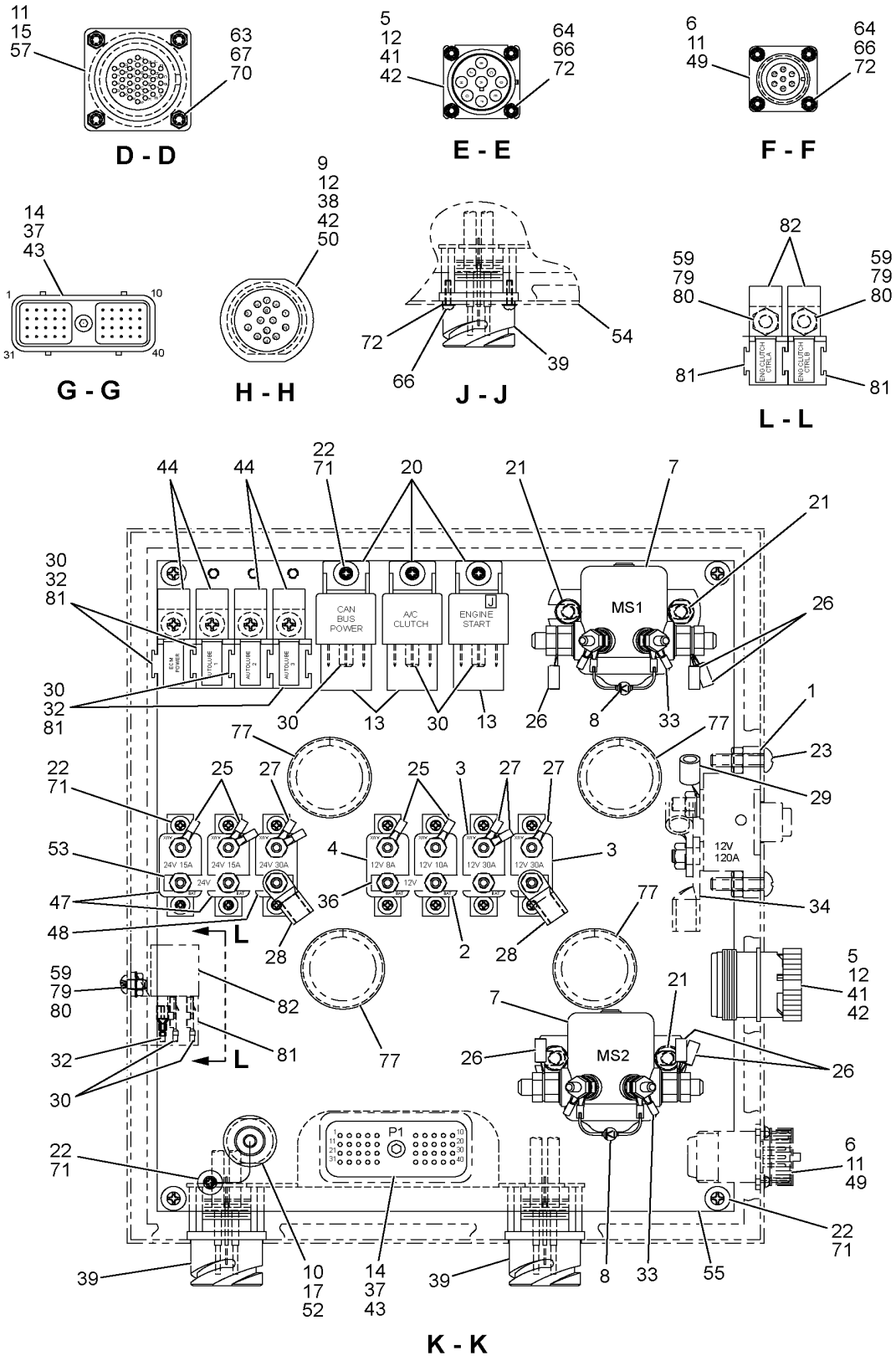
Revision: **A**

| Item | FN | Part | Qty | Description |
|------|----|-----------|-----|--|
| 1 | | 1955692 | 2 | BRACKET |
| 2 | | 3455110 | 2 | CLAMP TUBE, 0.75 DIA |
| 3 | | 810178170 | 1 | COVER ASSY INCLUDES THE FOLLOWING PARTS |
| | | 4113580 | 2 | WEATHER STRIPPING |
| | | 4113650 | 2 | LATCH |
| 4 | | 5483420 | 6 | NUT, LOCK |
| 5 | | 6124050 | 2 | HHCS |
| 6 | | 6124560 | 6 | SCREW, HEX CAP |
| 7 | | 7094300 | 2 | WASHER, FLAT |
| 8 | | 7094400 | 4 | WASHER, FLAT |
| 9 | | 7103030 | 2 | WASHER, LOCK |
| 10 | | 810006580 | 2 | BATTERY |
| 11 | | 810169830 | 1 | CABLE ASSY SPEC |
| 12 | | A122710 | 1 | CABLE ELEC |
| 13 | | A031450 | 1 | CABLE ELECTRIC |
| 14 | | 810177722 | 1 | SUPPORT |

Manitowoc Cranes



Manitowoc Cranes



Manitowoc Cranes

Description

DECAL INSTL-BOOM DISASSEMBLY

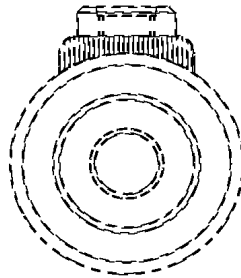
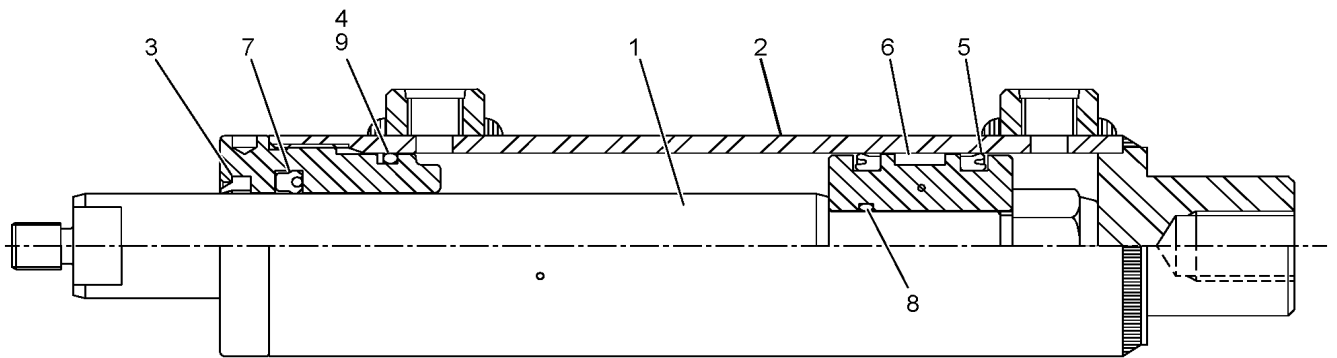
Assembly No.

80090259

Revision: A

| Item | FN | Part | Qty | Description |
|------|----|---------|-----|-----------------|
| 1 | | 1478529 | 2 | DECAL-BM HAZARD |

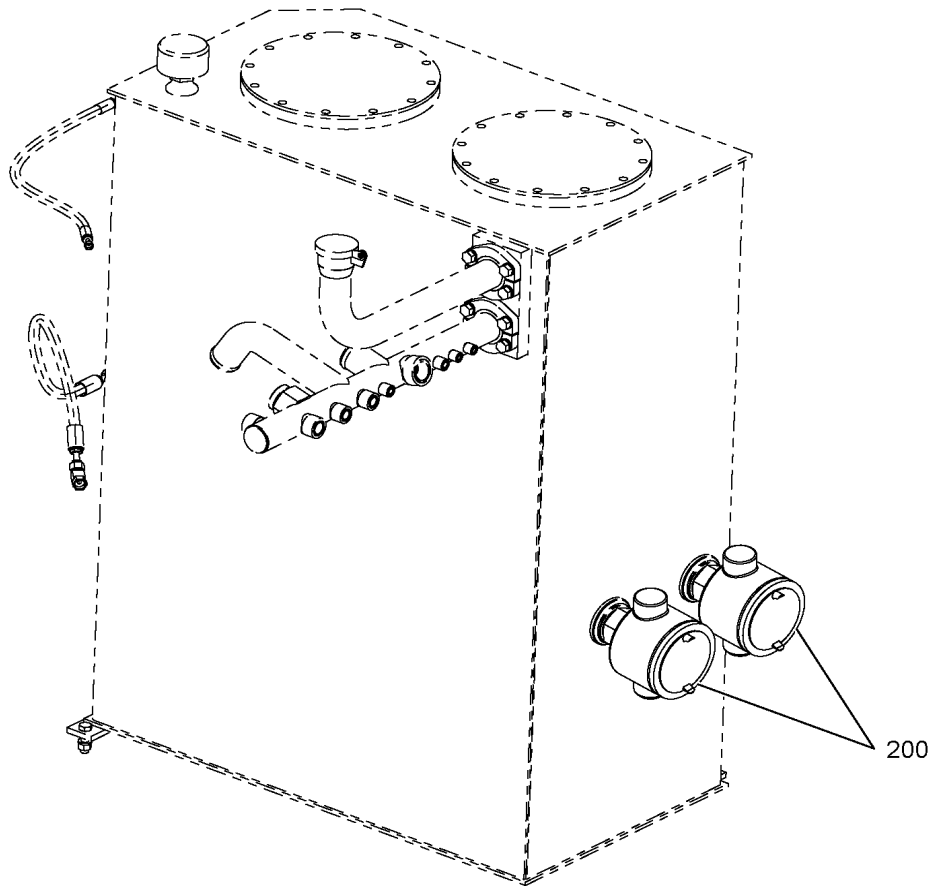
Manitowoc Cranes



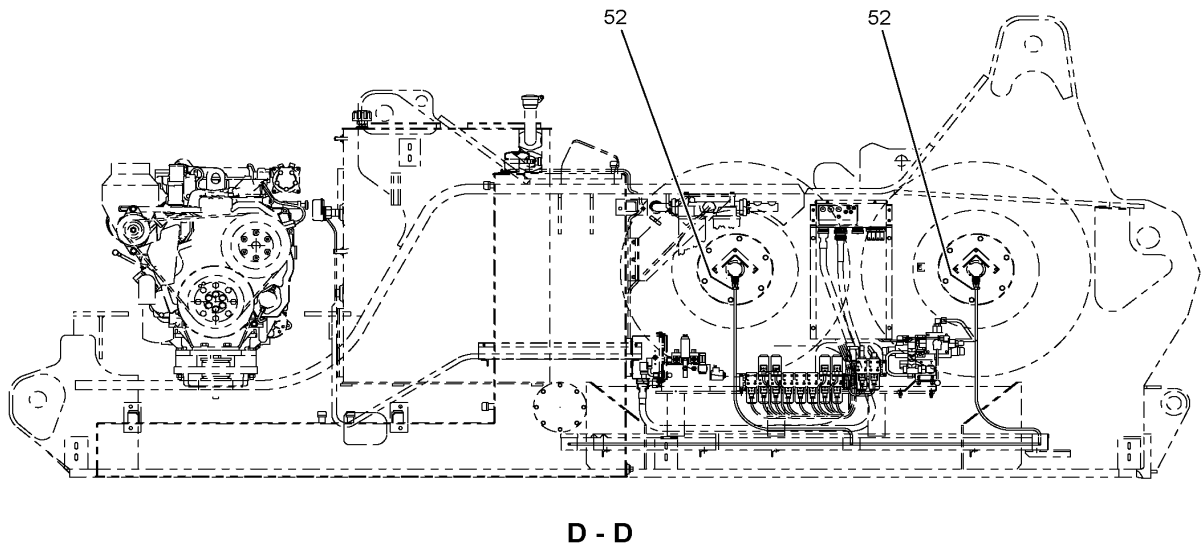
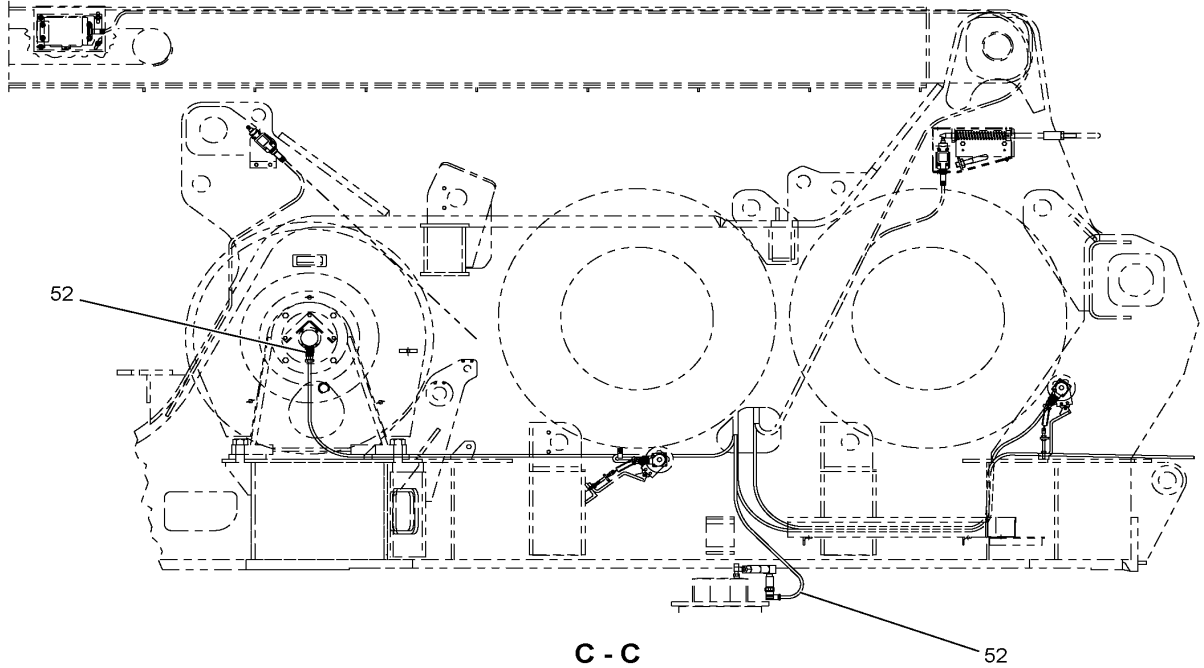
Manitowoc Cranes

Notes

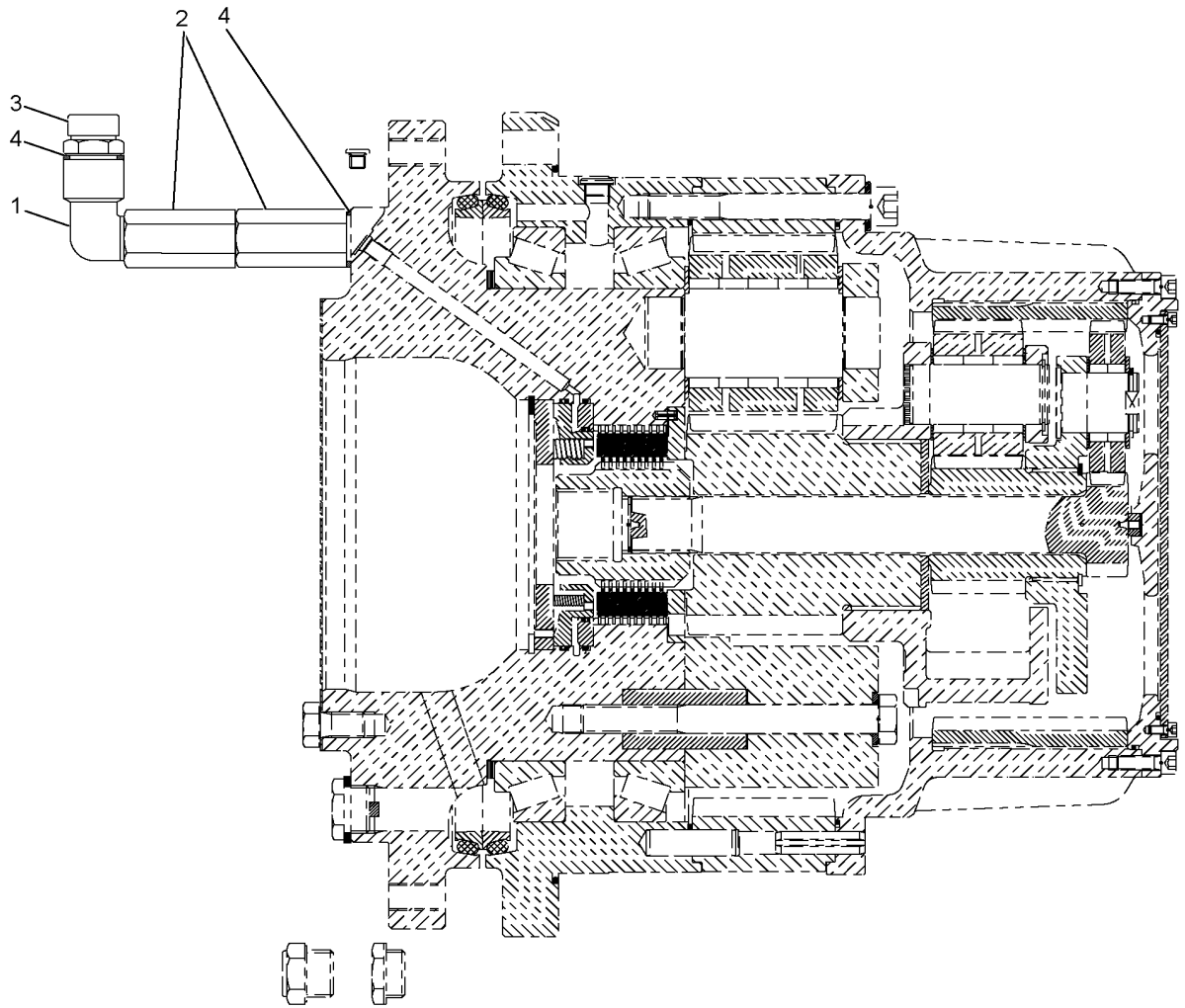
Manitowoc Cranes



Manitowoc Cranes



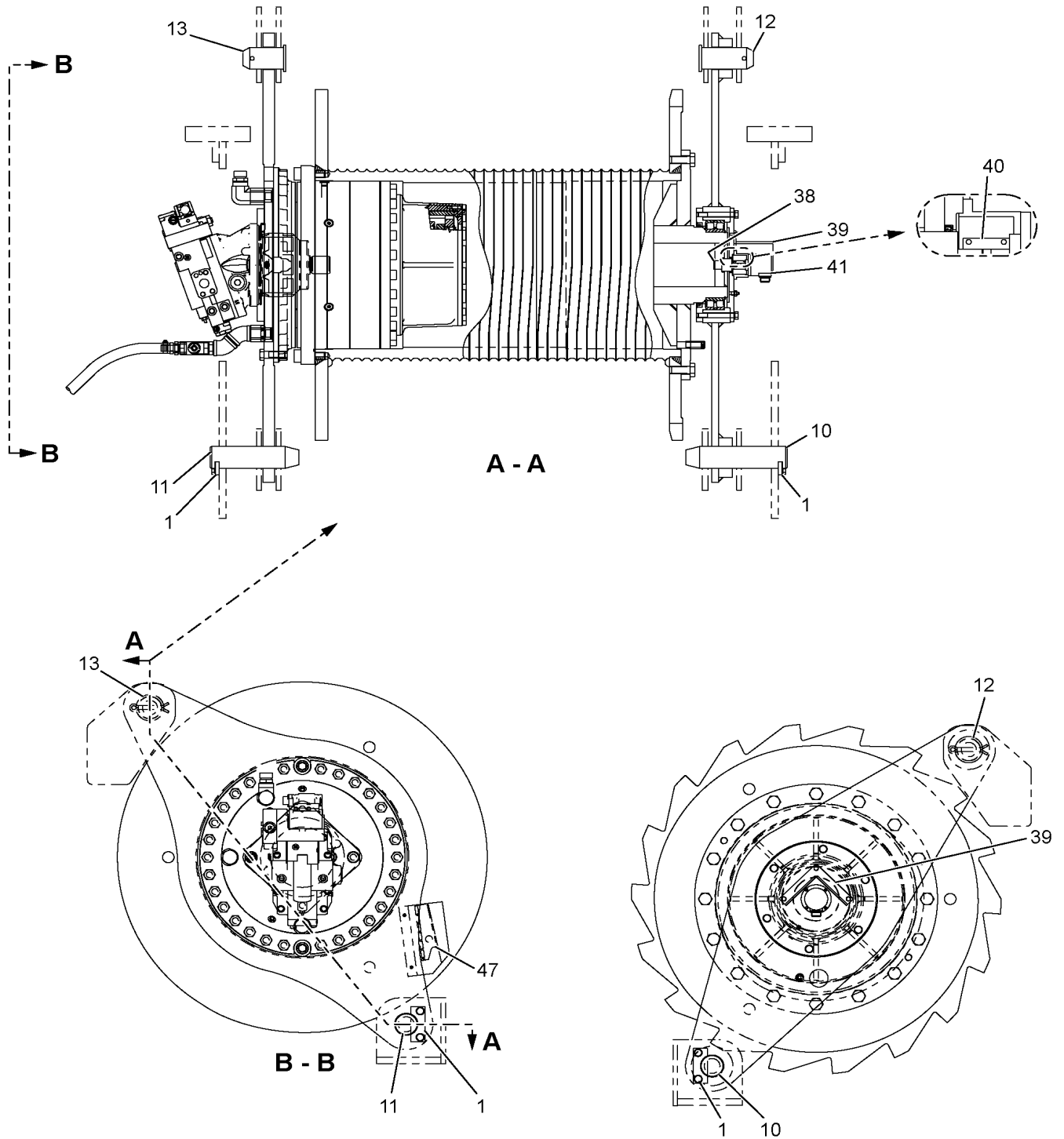
Manitowoc Cranes



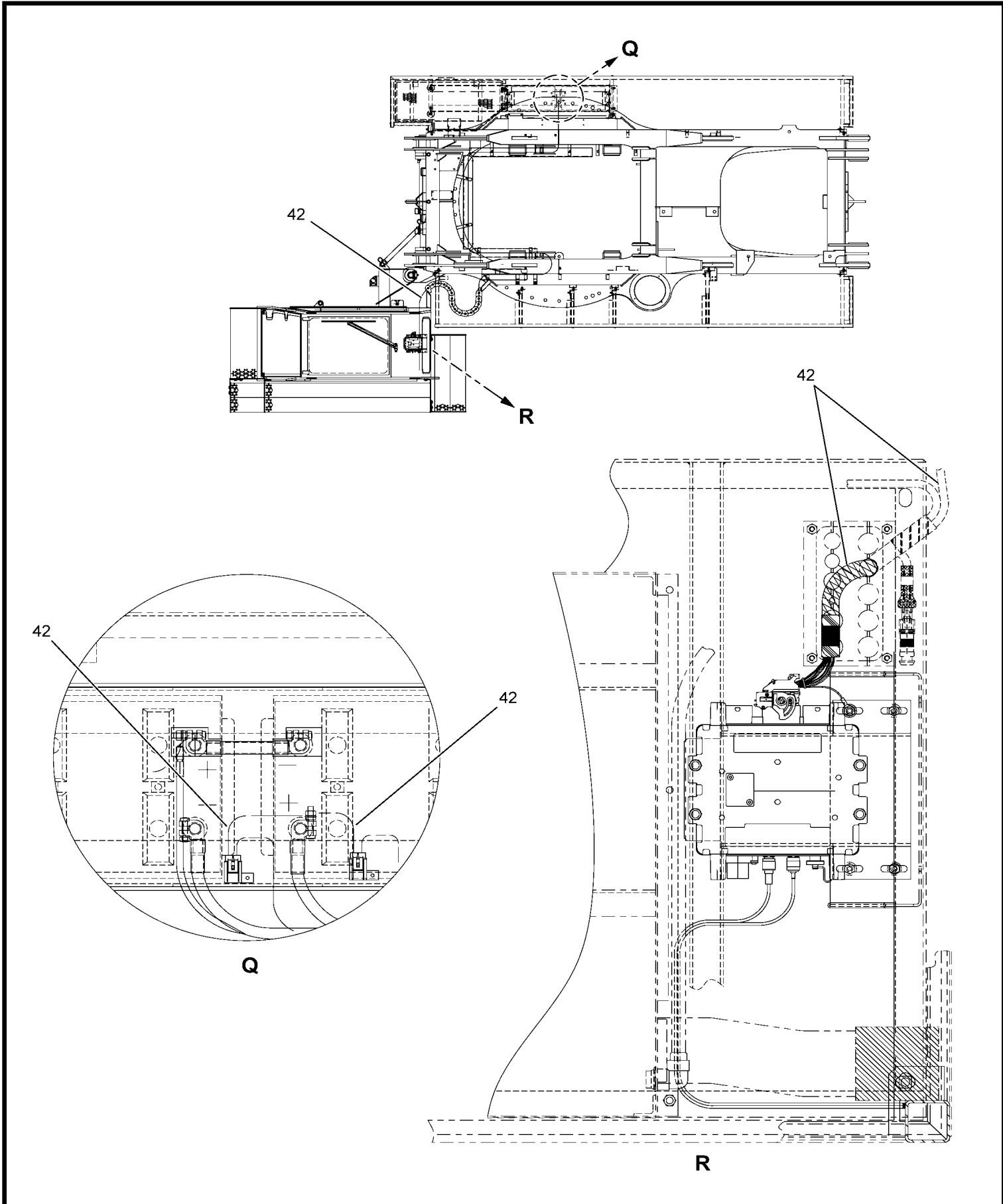
Manitowoc Cranes

Notes

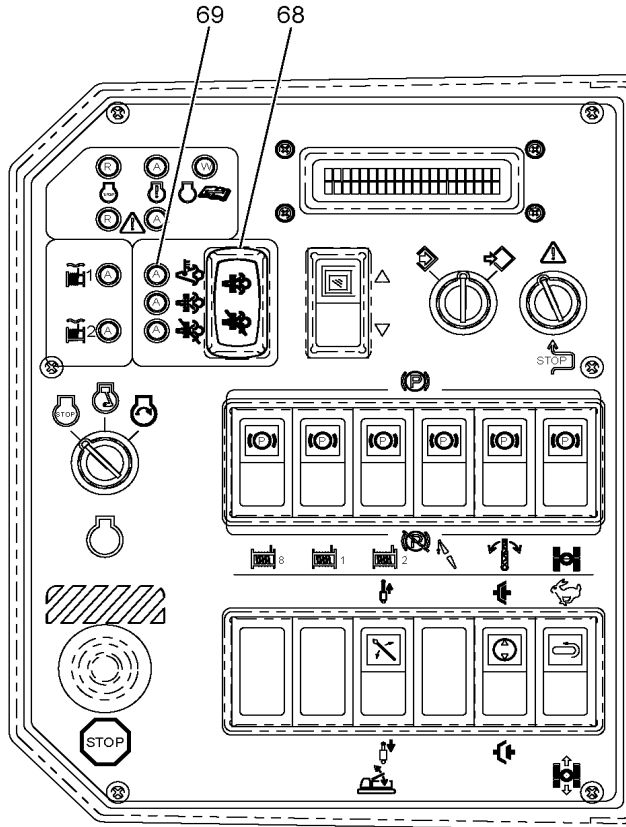
Manitowoc Cranes



Manitowoc Cranes



Manitowoc Cranes



Manitowoc Cranes

Description

CONSOLE FRONT, PUMP DISCONNECT

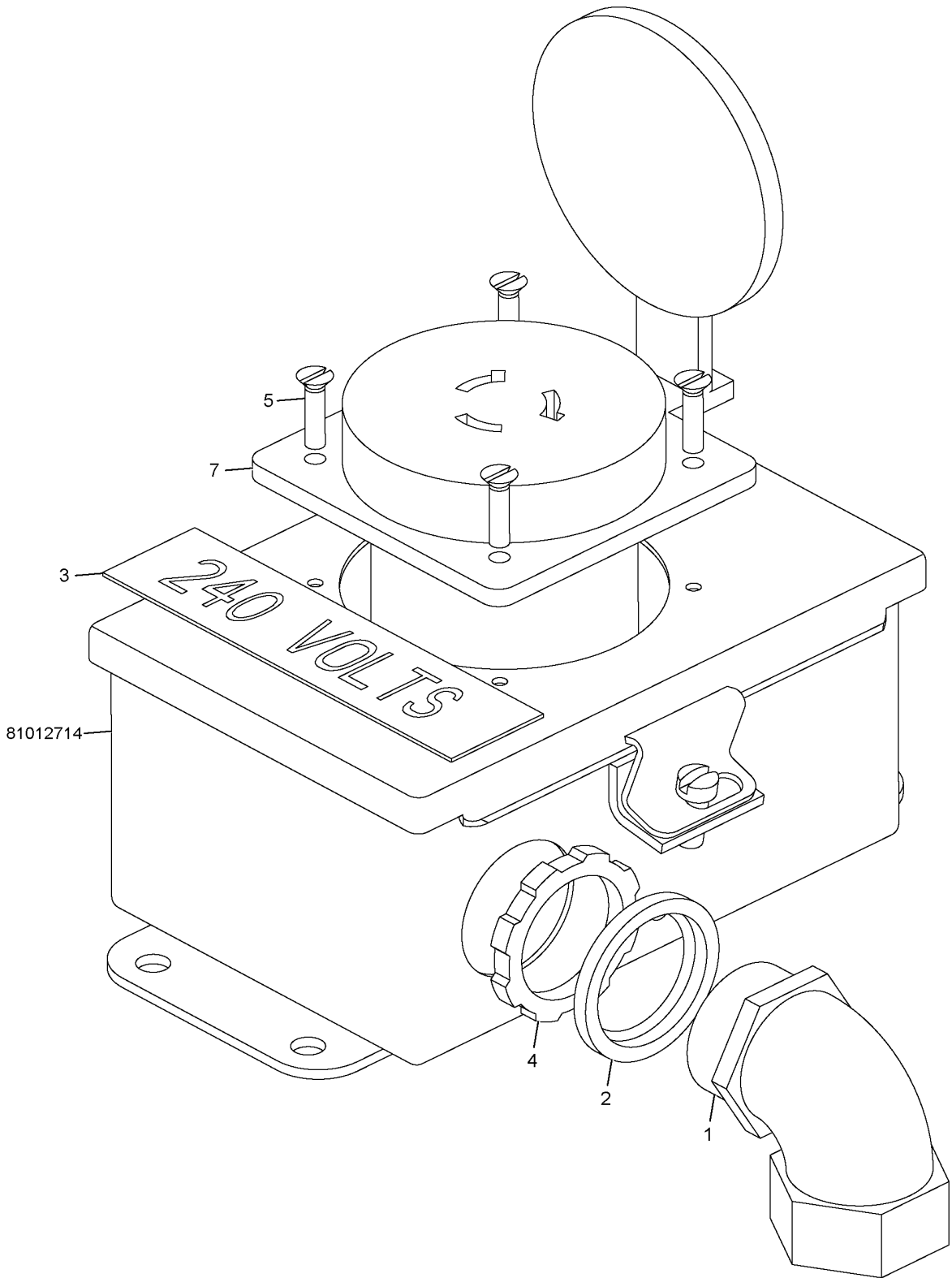
Assembly No.

80084585

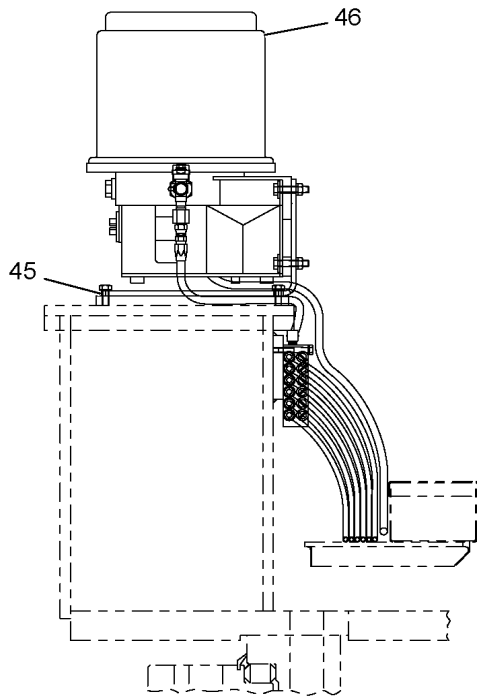
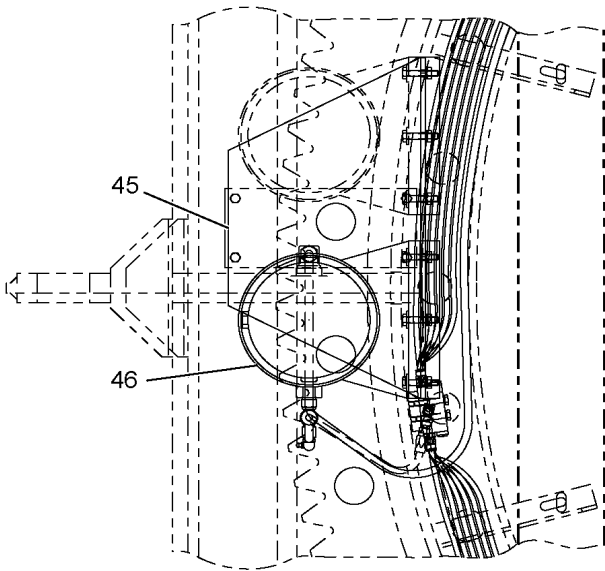
Revision: A

| Item | FN | Part | Qty | Description |
|------|----|---------|-----|----------------|
| 70 | | 6726290 | 1 | SWITCH, ROCKER |
| 71 | | 5052140 | 1 | LENS-HYD. PUMP |

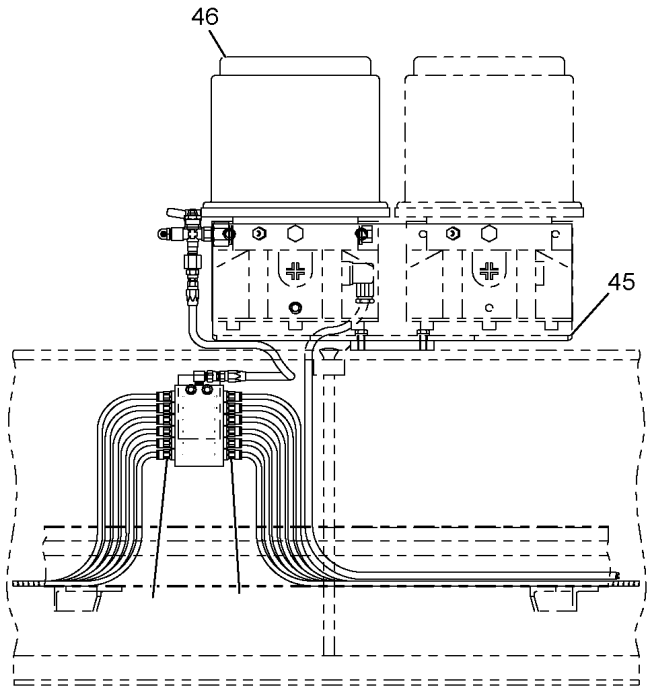
Manitowoc Cranes



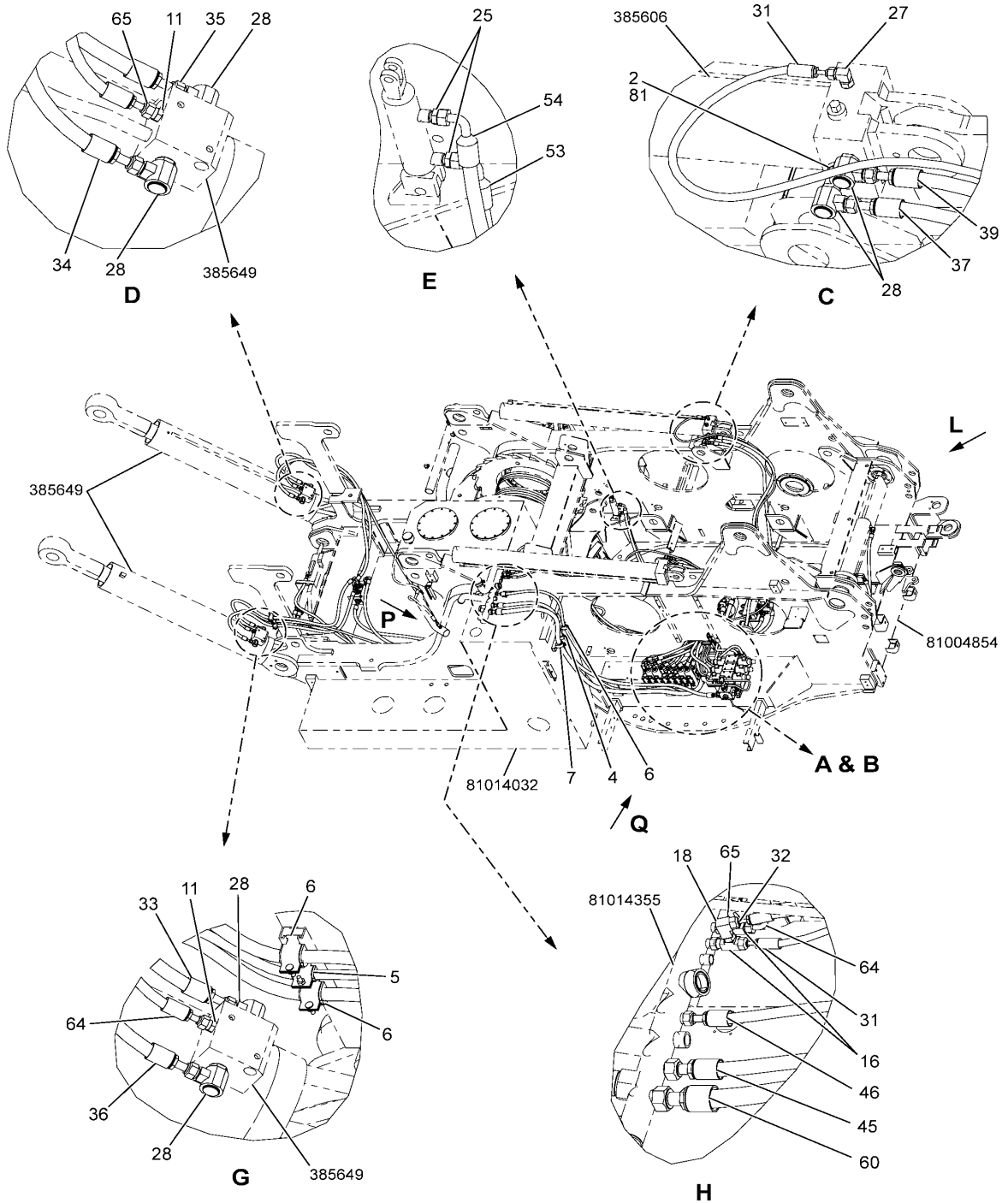
Manitowoc Cranes



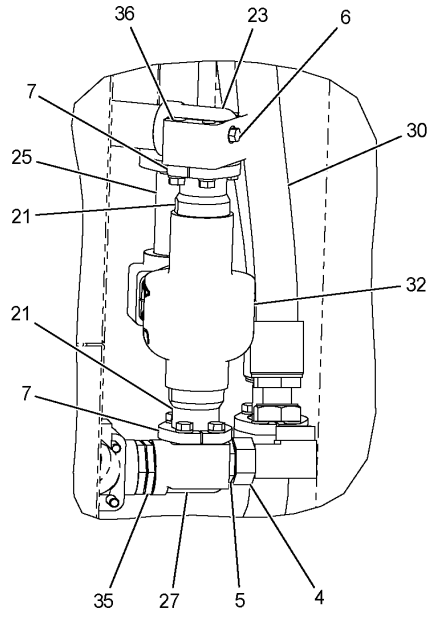
F - F



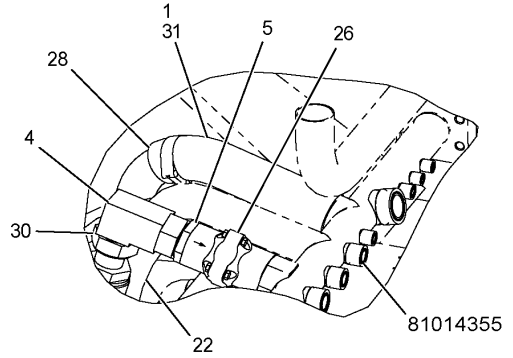
Manitowoc Cranes



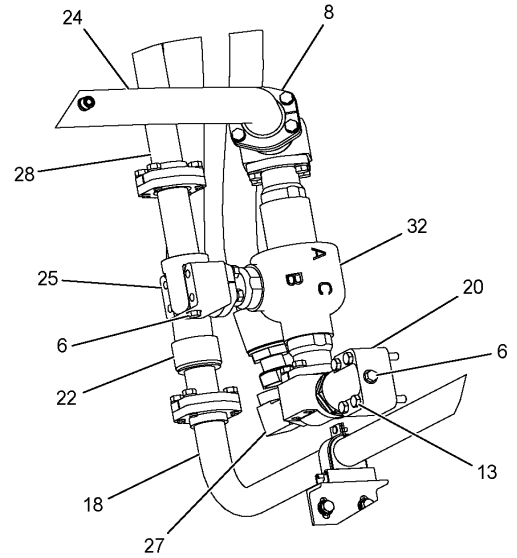
Manitowoc Cranes



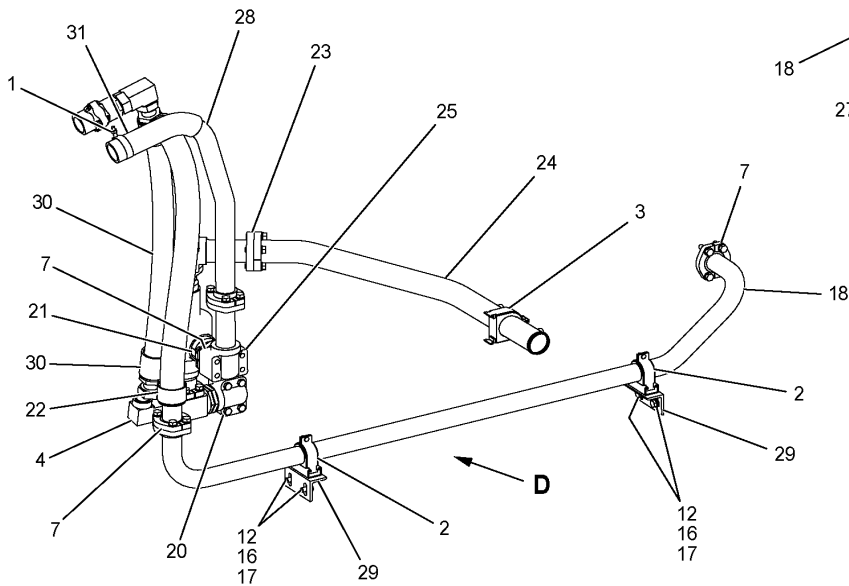
A



B

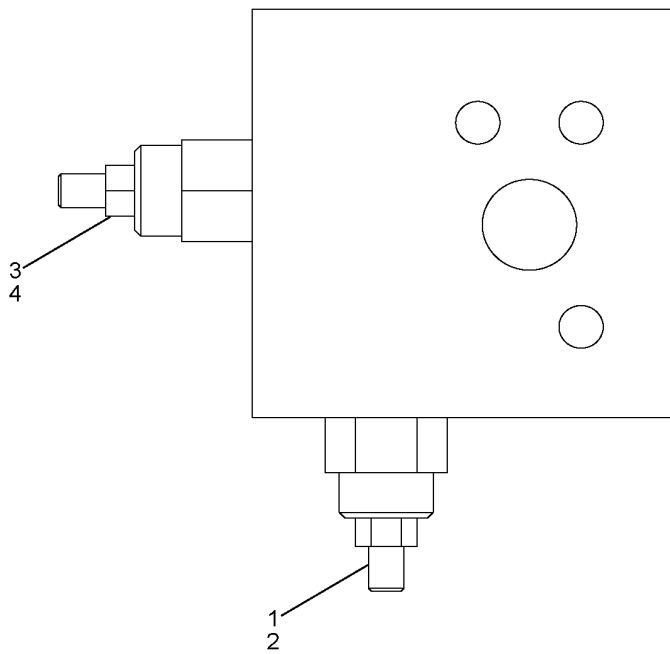


D

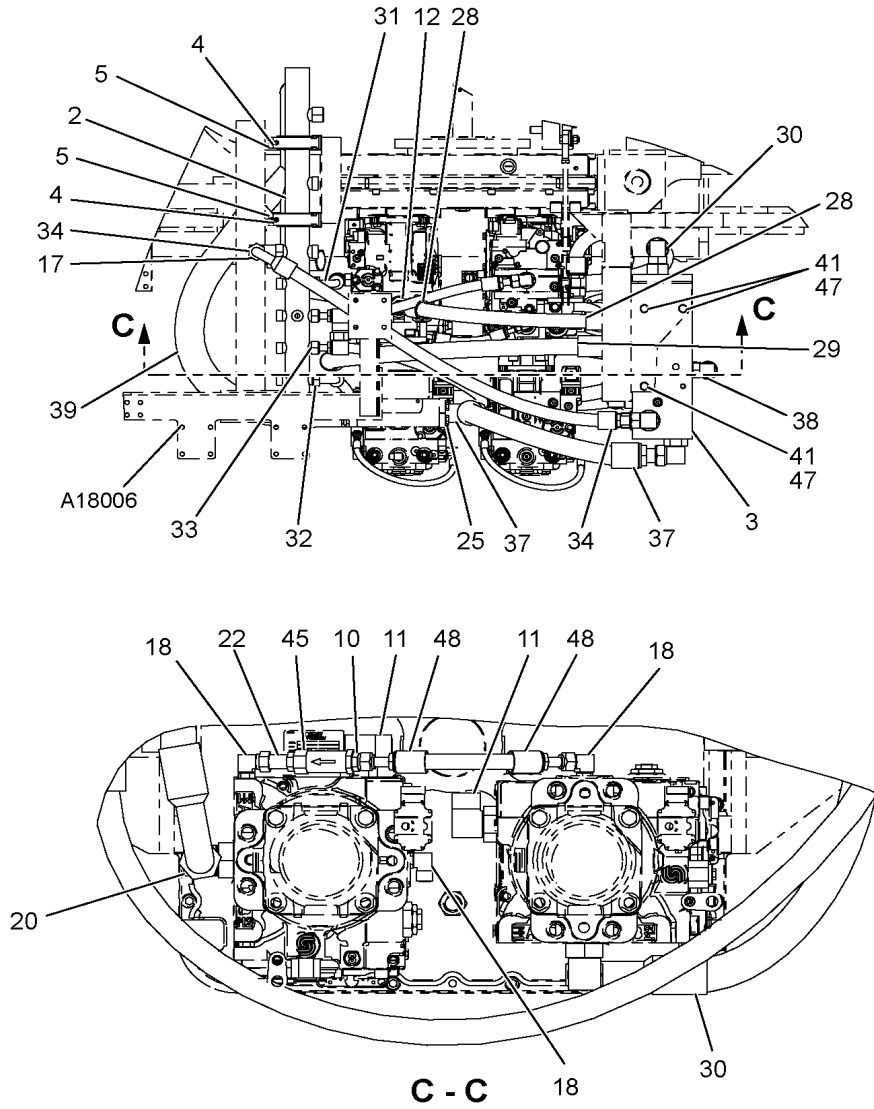


D

Manitowoc Cranes



Manitowoc Cranes



Manitowoc Cranes

Notes

CLICK HERE TO **DOWNLOAD** THE COMPLETE MANUAL

- Thank you very much for reading the preview of the manual.
- You can download the complete manual from: www.heydownloads.com by clicking the link below



- Please note: If there is no response to CLICKING the link, please download this PDF first and then click on it.

CLICK HERE TO **DOWNLOAD** THE COMPLETE MANUAL

Manitowoc Cranes

Description

AIR COND & HEATER UNIT OUTSIDE

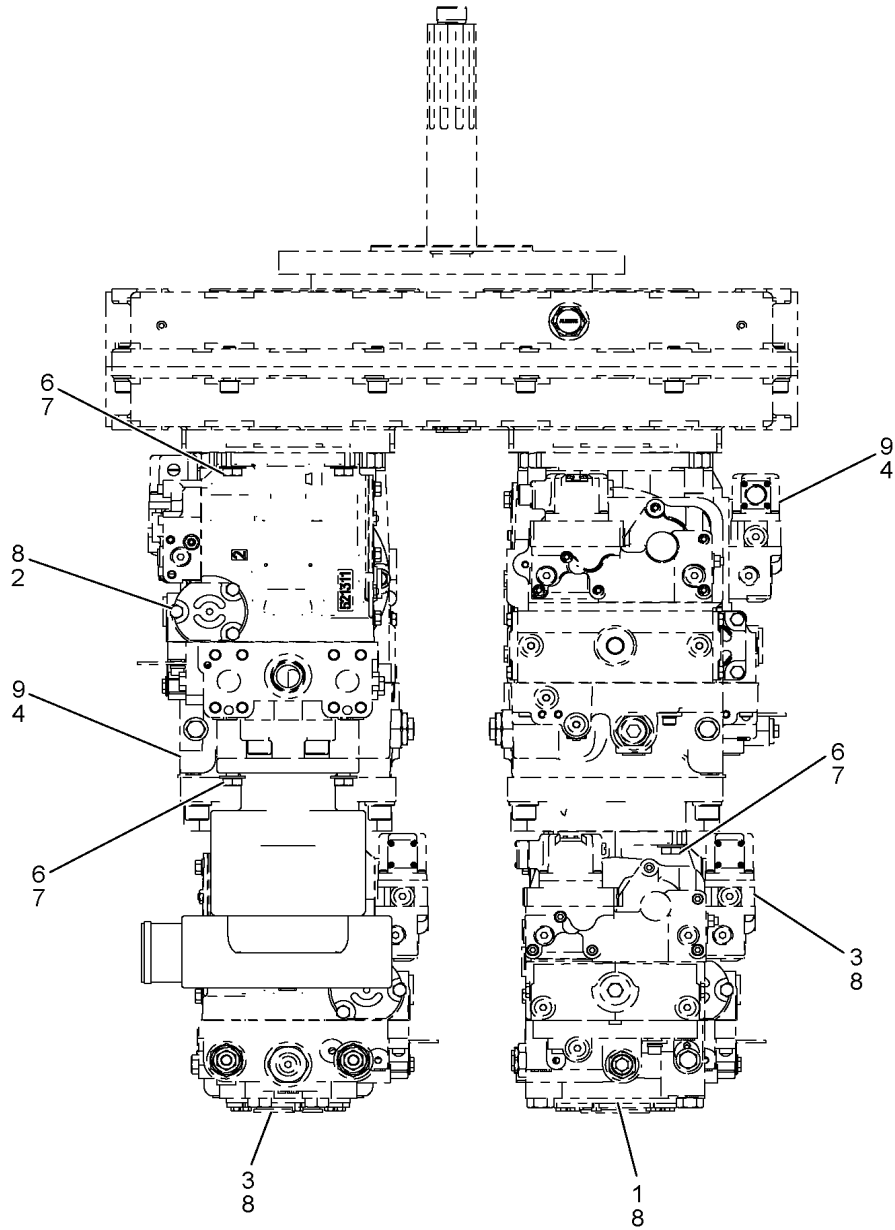
Assembly No.

810167690

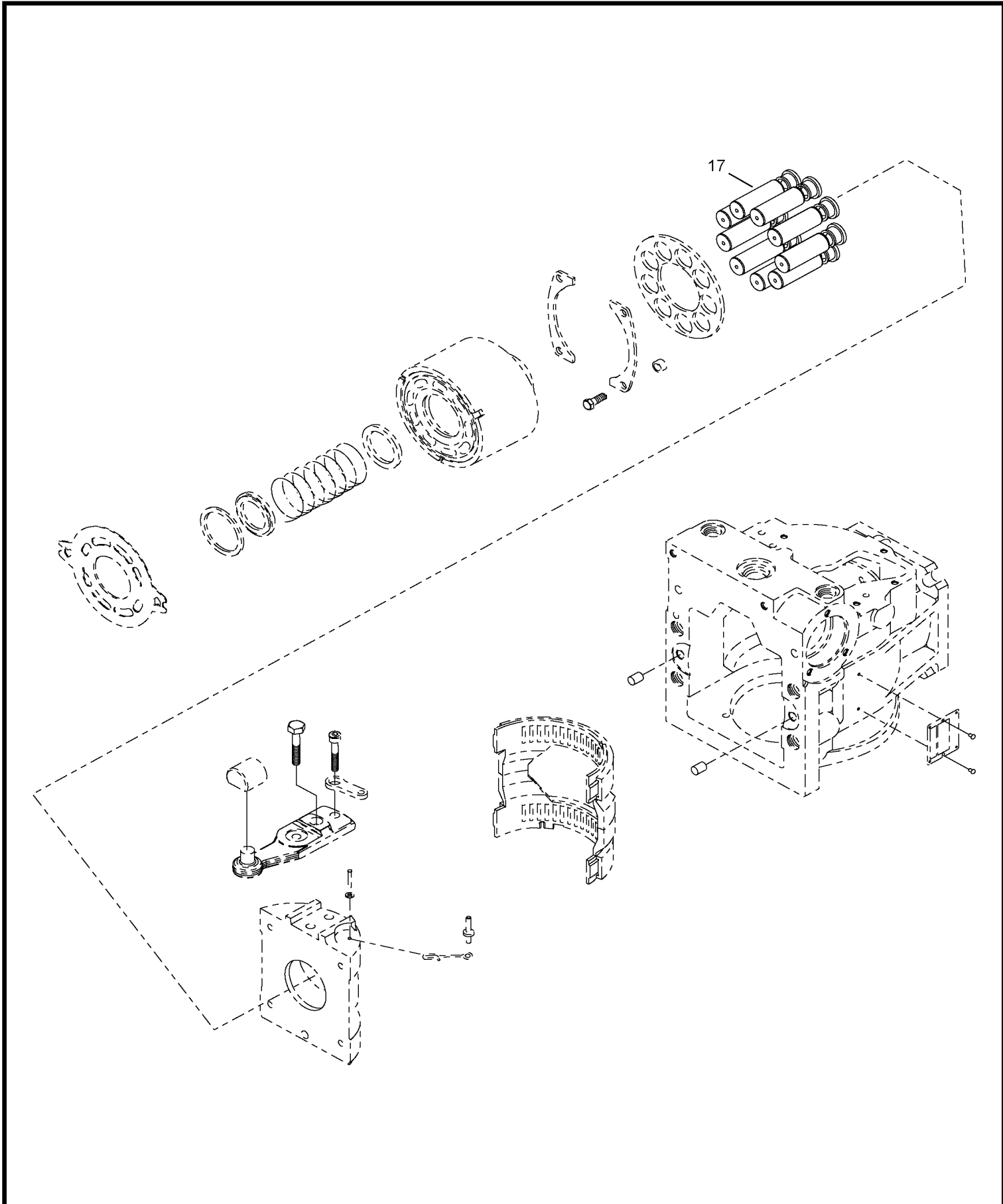
Revision: **B**

| Item | FN | Part | Qty | Description |
|------|----|------------|-----|--|
| 1 | | 90018823 | 1 | SWITCH, PRESSURE HI/LO PART NOT SHOWN |
| 2 | | 9515220104 | 1 | CONDENSER |
| 3 | | 81016772 | 1 | COMPRESSOR |
| 3 | | 90021111 | 1 | V-BELT, COMPRESSOR |
| 4 | | 810177280 | 1 | FITTING |
| 5 | | 810177290 | 1 | FITTING |
| 6 | | A002650 | 1 | DRIER W/MOISTURE INDICATOR |
| 7 | | A002660 | 1 | BRACKET, RECEIVER DRIER |

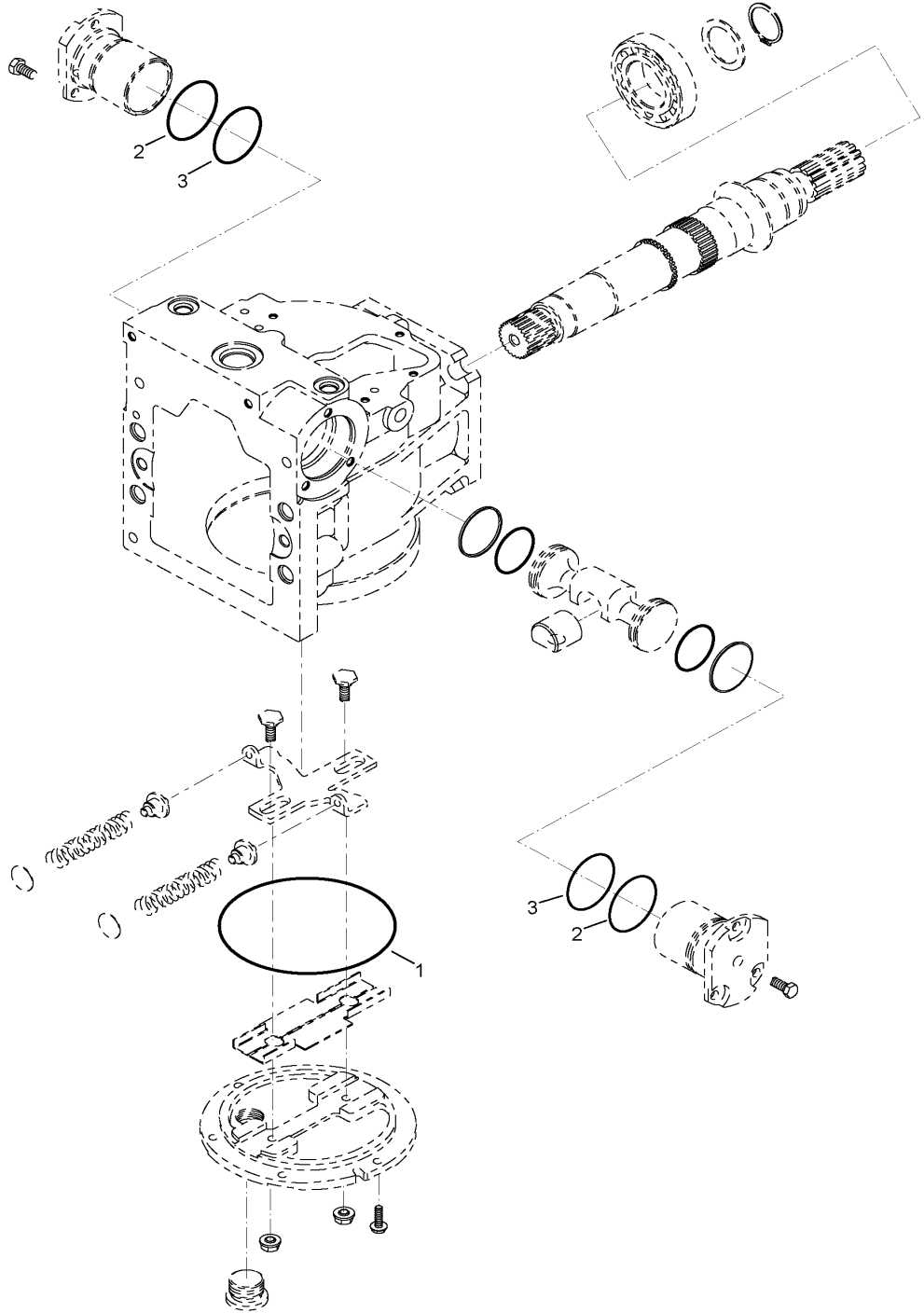
Manitowoc Cranes



Manitowoc Cranes



Manitowoc Cranes



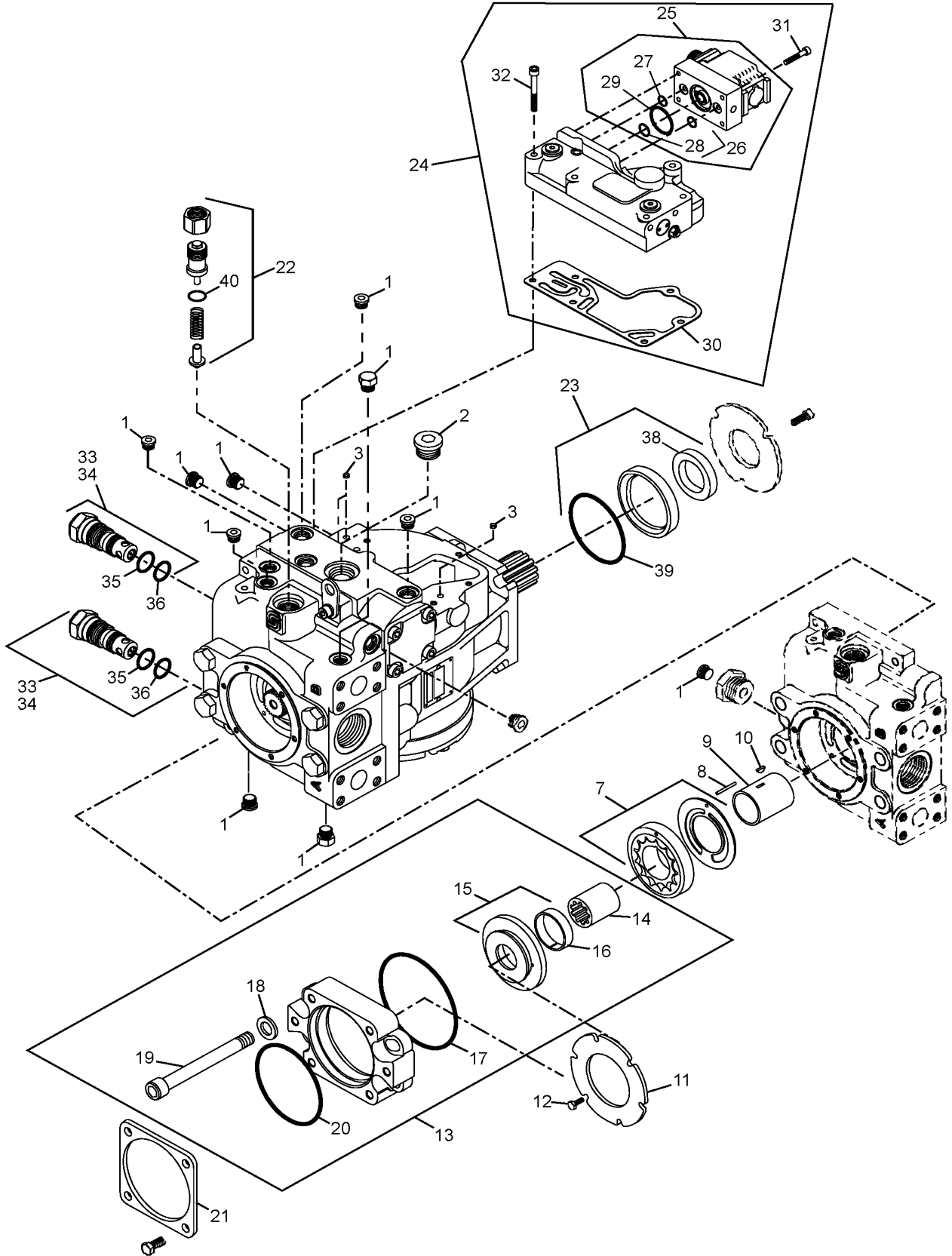
Manitowoc Cranes

Description
KIT, EDC

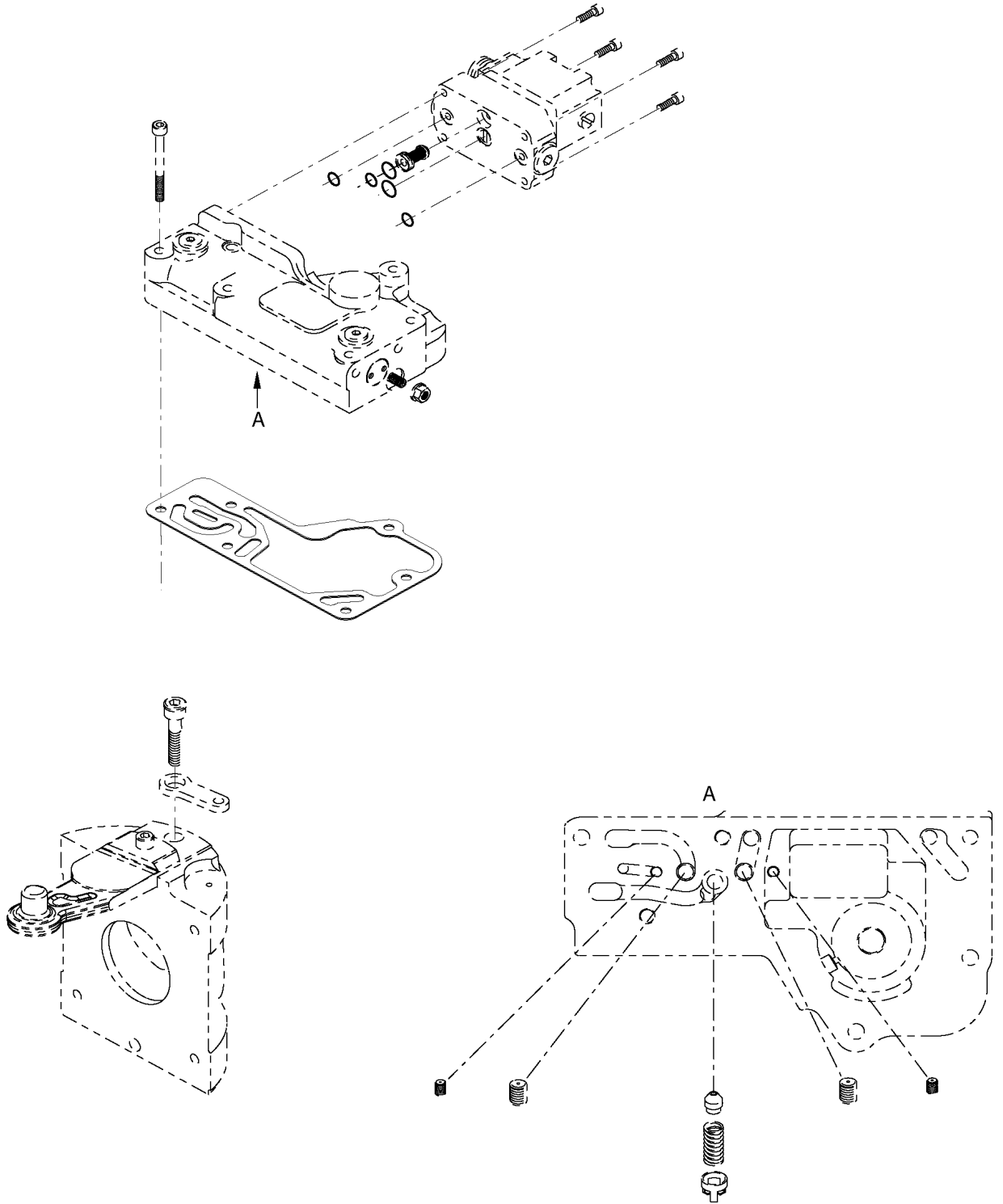
Assembly No.
7041700
Revision:

| Item | FN | Part | Qty | Description |
|------|----|------------|-----|-------------------------------|
| 1 | | 9722221168 | 1 | EDC WITH MS CONNECTOR |
| 2 | | 7041705 | 1 | GASKET |
| 3 | | 7041710 | 1 | VALVE INCLUDES ITEMS 6 & 7 |
| 4 | | 9632220016 | 4 | SCREW, SOC HD |
| 5 | | 9722220127 | 6 | SCREW |
| 6 | | 9722220261 | 3 | O-RING |
| 7 | | 9722220560 | 1 | O-RING |

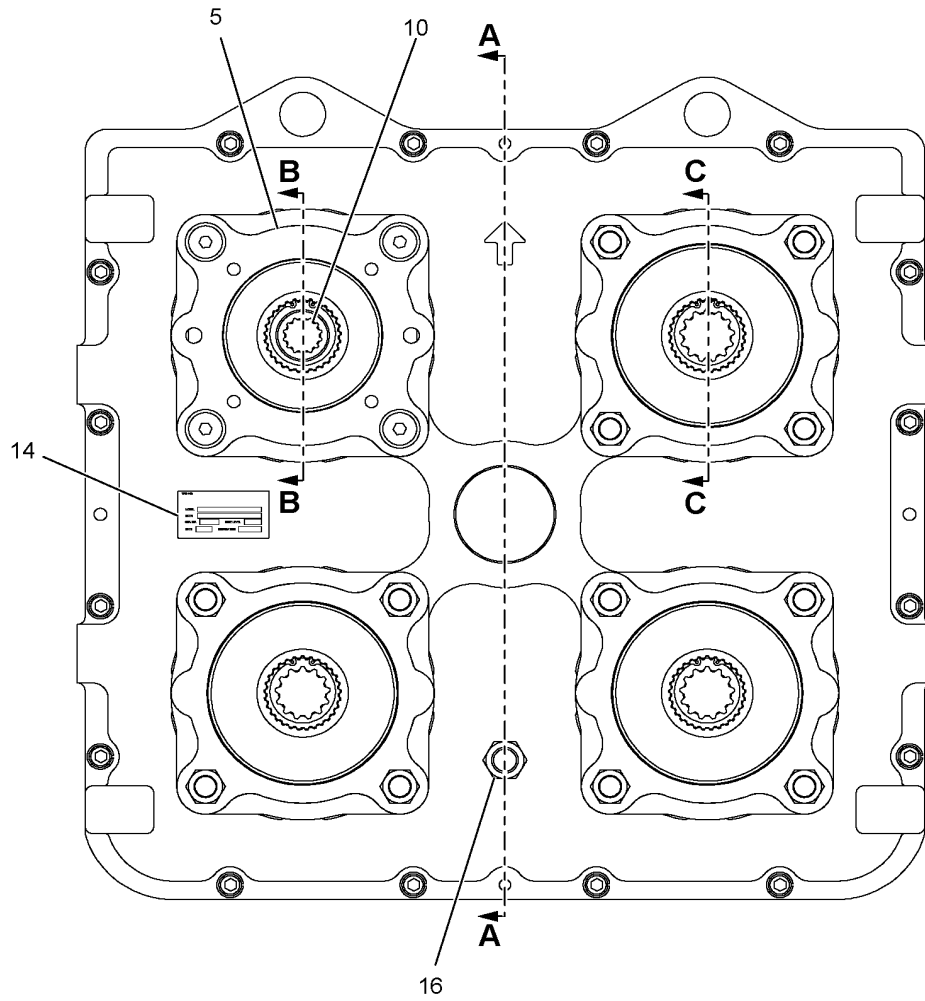
Manitowoc Cranes



Manitowoc Cranes



Manitowoc Cranes



Manitowoc Cranes

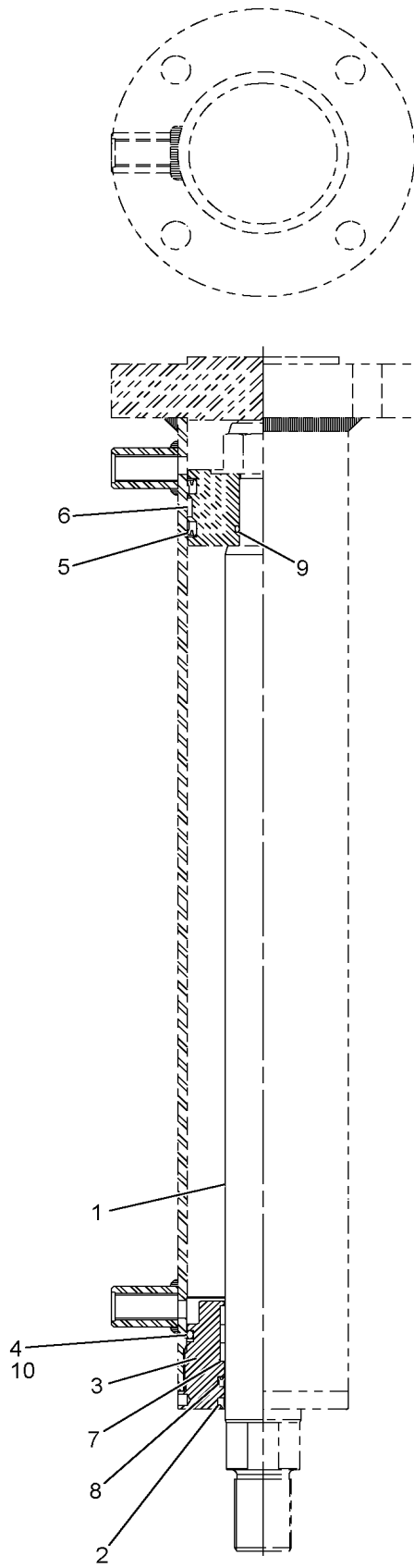
Description
CARBODY ASSEMBLY

Assembly No.
1953751
Revision: FD

| Item | FN | Part | Qty | Description |
|------|----|-----------|-----|-------------------------------|
| 1 | | 1957552 | 4 | PIN 2 HOLE |
| 2 | | 5621790 | 8 | PIN COTTER |
| 3 | | 1766272 | 1 | BRACKET SWIVEL, BLACK |
| 4 | | 1766292 | 1 | PIN 1 HOLE W/HD |
| 5 | | 6126610 | 4 | HHCS |
| 8 | | 810048362 | 1 | CARBODY MACHINING |
| 10 | | 7103070 | 4 | WASHER, LOCK |
| 11 | | 2511549 | 48 | BOLT FINISHED HEX |
| 12 | | 5621060 | 1 | PIN COTTER, 1/4 DIA X 1.75 LG |
| 13 | + | A146369 | 1 | JOINT ROTATING UNION |
| 15 | | 5460590 | 4 | NUT, HEX |
| 17 | | 6127210 | 4 | HHCS |
| 19 | | 7103080 | 4 | WASHER, LOCK |
| 20 | | 7114260 | 48 | F WASHER |

+ SEE FURTHER BREAKDOWN THIS GROUP

Manitowoc Cranes



3856470

(SHEET 1 OF 1)

Page 638

Manitowoc Cranes

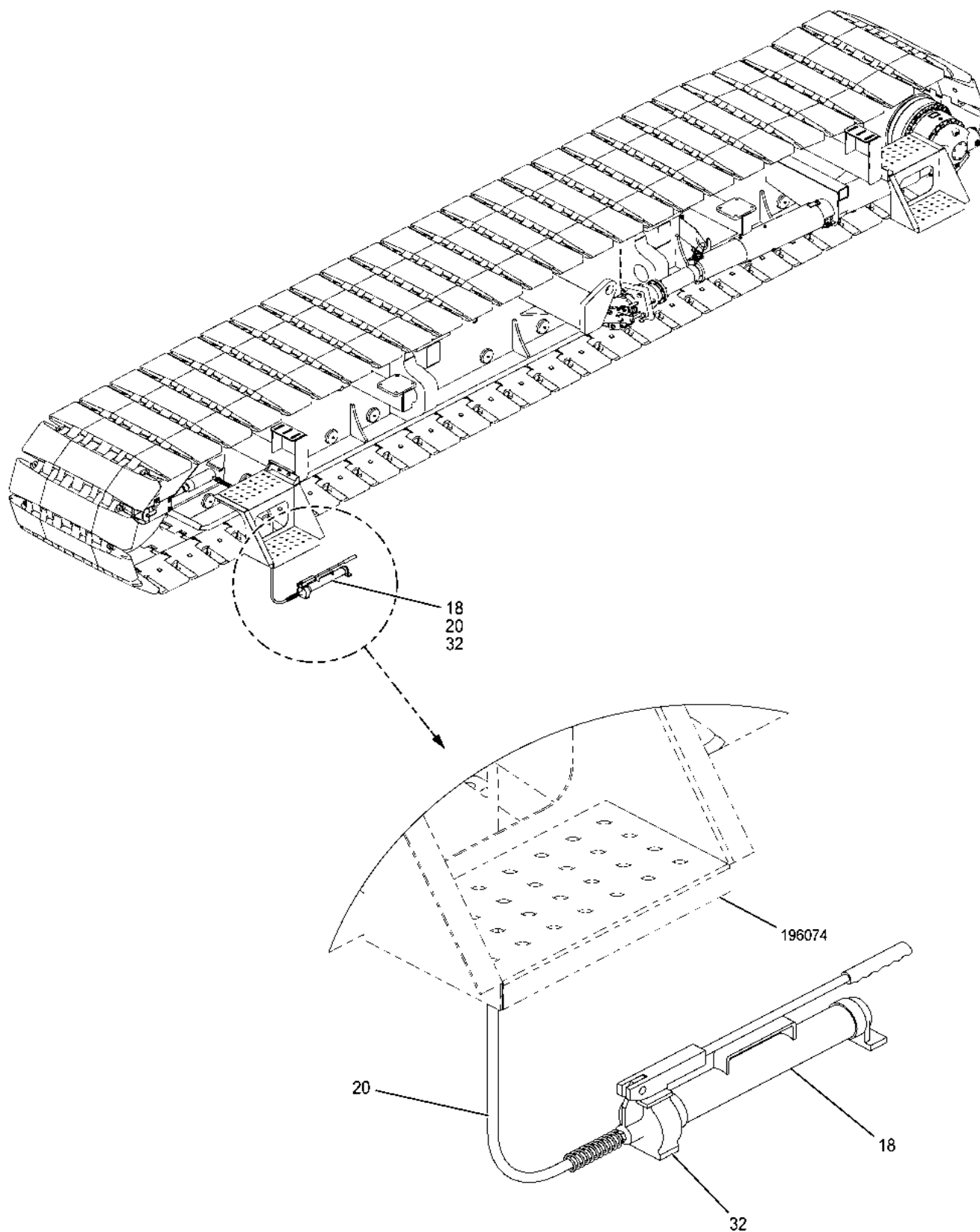
Description
BRAKE, TRAVEL

Assembly No.
2721420
Revision: FA

| Item | FN | Part | Qty | Description |
|------|----|------------|-----|--|
| 1 | | 9810220004 | 1 | SHAFT, EXTENDED |
| 2 | | 9188220033 | 1 | PLATE, LOCK |
| 3 | | 9188220034 | 1 | FLANGE, DRIVE SHAFT |
| 4 | | 9188220035 | 2 | SNAP RING, EXTERNAL (55) |
| 5 | | 9490220345 | 3 | RING, EXTERNAL SNAP (125 UNI) |
| 6 | | 9188220019 | 1 | SEAL, OIL |
| 7 | | 9188220036 | 1 | KEY (14X9X60) |
| 8 | | 02251533 | 1 | BEARING, BALL |
| 9 | | 9490220033 | 2 | SEAL, OIL |
| 10 | | 9188220037 | 1 | BOLT, HEX (M12X35) |
| 11 | | 9490220418 | 1 | O-RING (3575) |
| 12 | + | 2721470 | 1 | BRAKE |
| 13 | + | 2721425 | 1 | BRAKE SEAL PLUS DISK KIT PART NOT SHOWN |

+ SEE FURTHER BREAKDOWN THIS GROUP

Manitowoc Cranes



Manitowoc Cranes

Description
VALVE ASSEMBLY FOR LO

Assembly No.
1957543
Revision: FA

| Item | FN | Part | Qty | Description |
|------|----|---------|-----|---------------|
| 24 | | 4297210 | 8 | FITTING, PLUG |

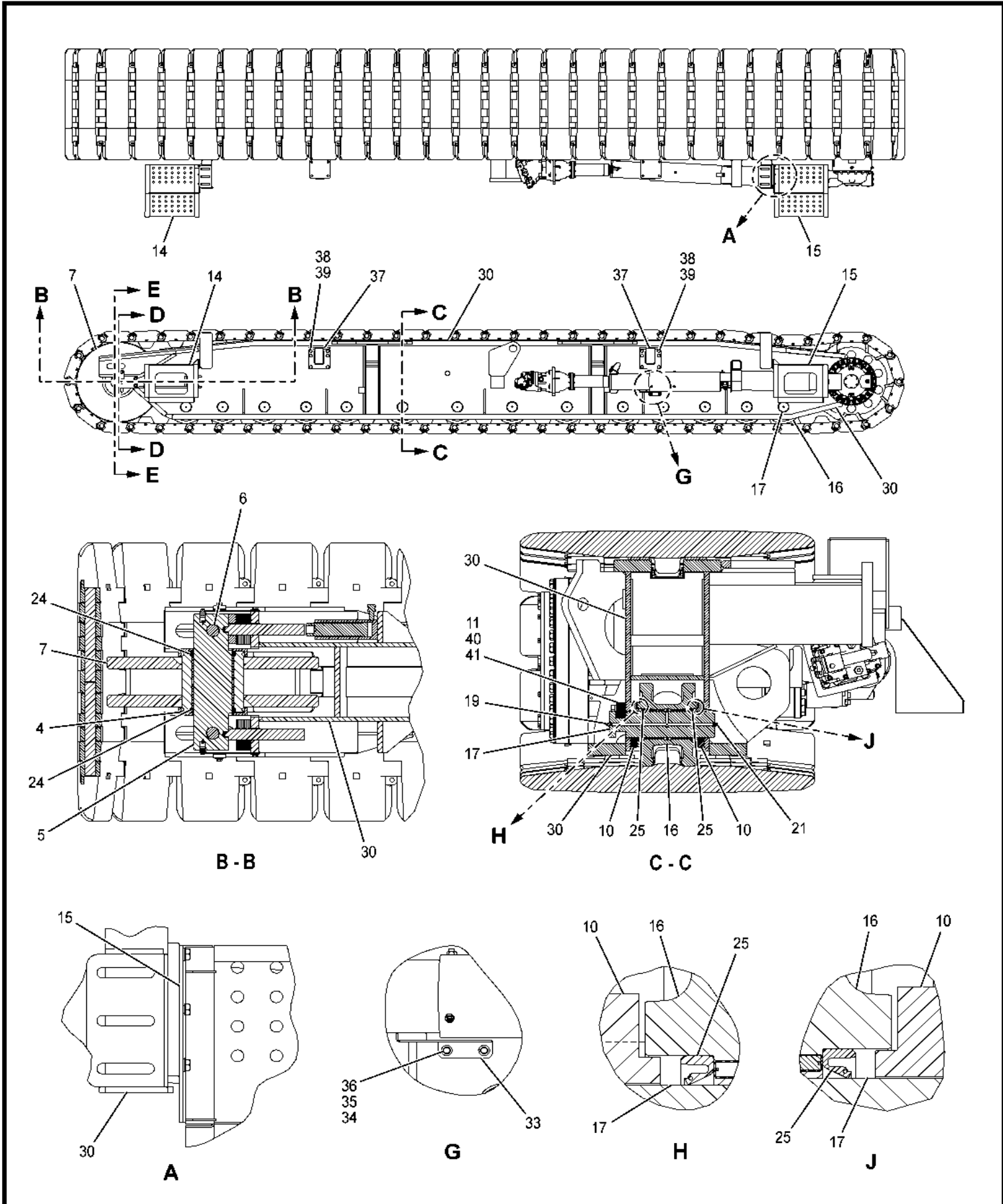
Manitowoc Cranes

Notes

Manitowoc Cranes

| <u>Description</u> GREASE PUMP | | | | Assembly No. A121370 Revision: C |
|--|----|------------|-----|---|
| Item | FN | Part | Qty | Description |
| 1 | | 9722220894 | 1 | COVER, PUMP RESERVOIR |
| 2 | | 9722220895 | 1 | HOSE |
| 3 | | 9722220896 | 1 | PADDLE, STIRRING |
| 4 | | 9722220898 | 2 | O-RING |
| 5 | | NSS | 2 | NOT SERVICED SEPARATELY BEARING RING |
| 6 | | NSS | 1 | NOT SERVICED SEPARATELY BEARING |
| 7 | | 9722220898 | 2 | O-RING |
| 8 | | 9722220899 | 1 | PLATE, INTERMEDIATE |
| 9 | | NSS | 1 | NOT SERVICED SEPARATELY SHIM |
| 10 | | NSS | 2 | NOT SERVICED SEPARATELY SNAP RING |
| 11 | | NSS | 1 | NOT SERVICED SEPARATELY INNER RING |
| 12 | | 9722220900 | 1 | CAM, ECCENTRIC |
| 13 | | NSS | 3 | NOT SERVICED SEPARATELY SCREW |
| 14 | | NSS | 3 | NOT SERVICED SEPARATELY WASHER |
| 15 | | NSS | 3 | NOT SERVICED SEPARATELY O-RING |
| 16 | | 9722220901 | 1 | HOUSING, PUMP |
| 17 | | 9722220902 | 2 | PLUG, CLOSURE |
| 18 | | NSS | 1 | NOT SERVICED SEPARATELY SOCKET W/CORD |
| 19 | | NSS | 1 | NOT SERVICED SEPARATELY PACKING |
| 20 | | NSS | 4 | NOT SERVICED SEPARATELY SCREW |
| 21 | | NSS | 1 | NOT SERVICED SEPARATELY PLUG |
| 22 | | 9722220903 | 1 | PLUG, SEALING |
| 23 | | 9722220904 | 1 | NIPPLE |
| 24 | | 9722220905 | 10 | SCREW |
| 25 | | 9722220906 | 1 | FITTING, GREASE |
| 27 | | NSS | 1 | NOT SERVICED SEPARATELY KEY |
| 28 | | NSS | 1 | NOT SERVICED SEPARATELY SEAL |
| 29 | | NSS | 1 | NOT SERVICED SEPARATELY MOTOR |
| 30 | | 9722220907 | 1 | COVER, HOUSING |

Manitowoc Cranes



81005867C

(SHEET 1 OF 2)

Page 704

Manitowoc Cranes

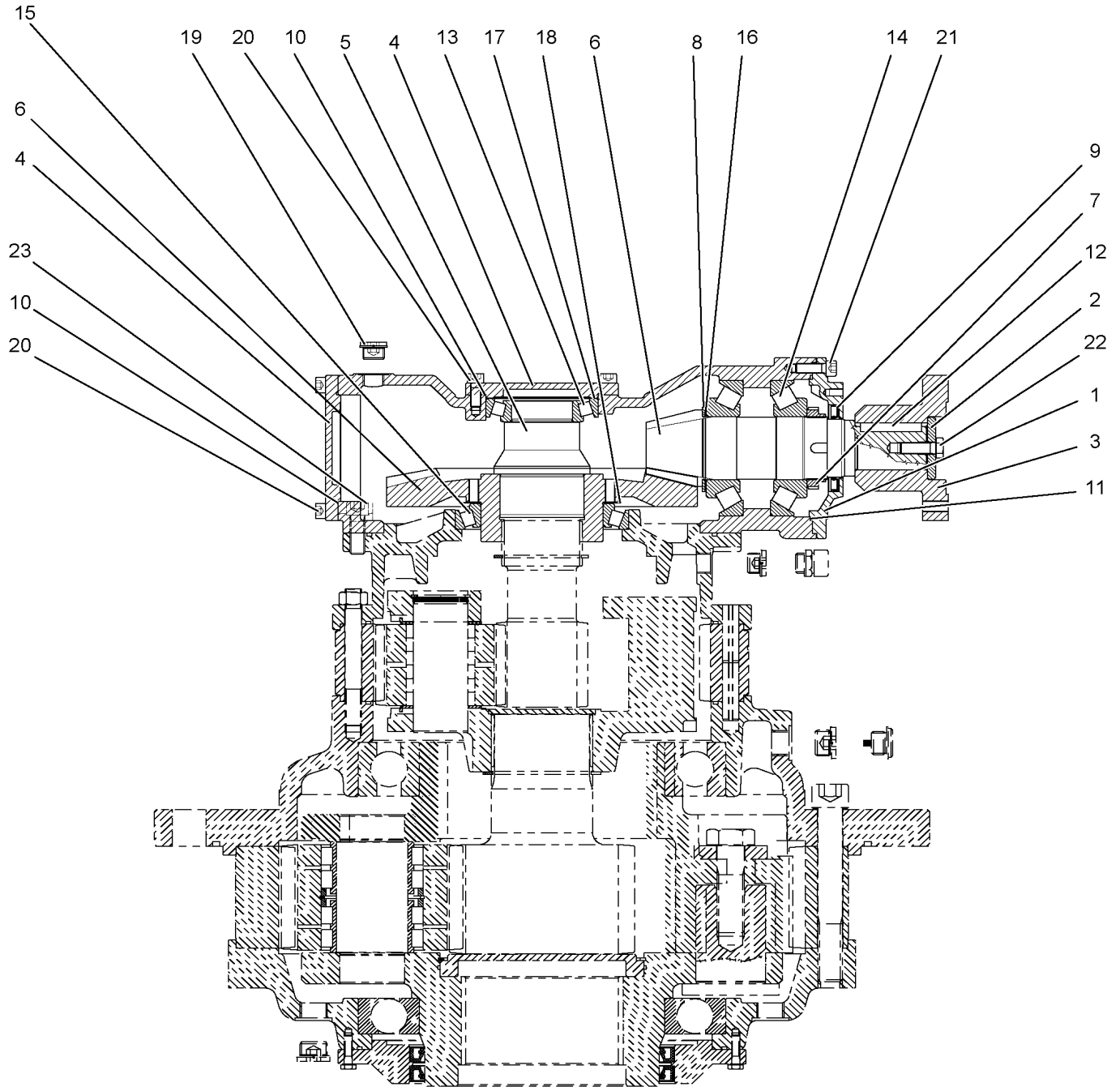
Description
GEARBOX

Assembly No.
A167430
Revision: H

| Item | FN | Part | Qty | Description |
|------|----|------------|-----|----------------|
| 1 | * | 9490220669 | 2 | O-RING (2-392) |
| 2 | * | 9490221446 | 1 | SEAL, O-RING |
| 3 | | 9490221448 | 15 | WASHER |
| 4 | | 9490221450 | 2 | WASHER |
| 5 | | 9490220679 | 2 | PLUG |
| - | * | 9490221464 | 1 | KIT, SEAL |

* REPAIR KIT AND/OR PART OF KIT

Manitowoc Cranes



Manitowoc Cranes

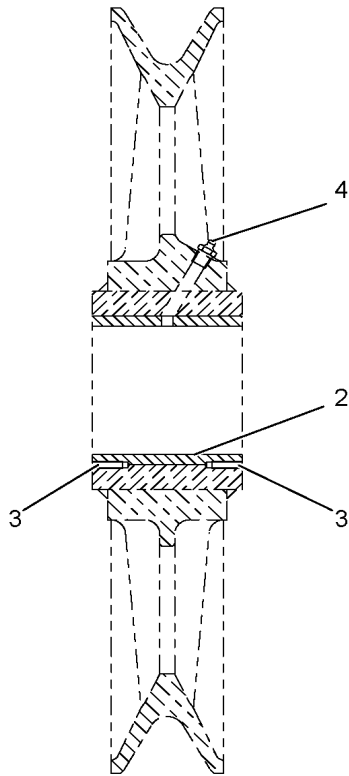
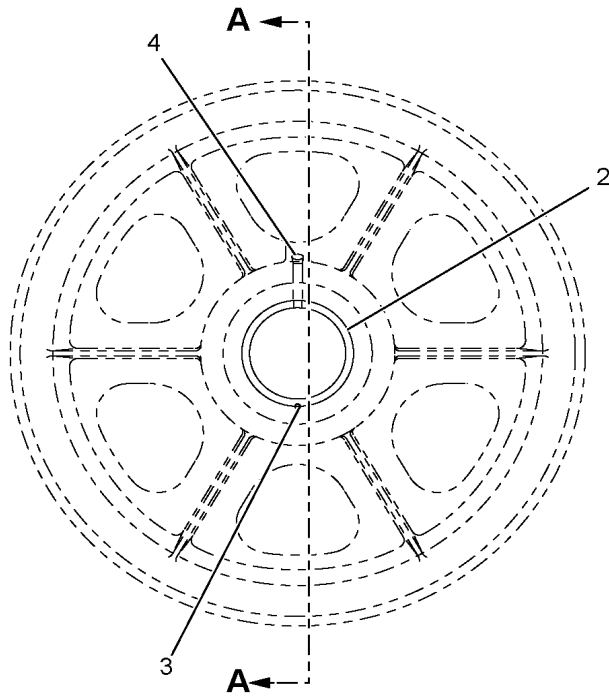
Description
#82 BOOM BUTT

Assembly No.
81032571
 Revision: **C**

| Item | FN | Part | Qty | Description |
|------|----|------------------|-----|---|
| 1 | | 1687792 | 1 | BOOM ANGLE INDICATOR ASSY INCLUDES THE FOLLOWING PARTS |
| | + | 1687791 | 1 | BOOM ANGLE INDICATOR ASSY |
| 2 | + | 1954671 | 1 | PHYSICAL BOOM STOPS |
| 3 | + | 1955491 | 1 | ESI, BOOM LIMIT |
| 5 | + | 1963831 | 1 | WIRE ROPE GUIDE ASSEMBLY |
| 6 | + | 1963834 | 1 | PLATFORM-HANDLING LINKS |
| 7 | + | 1963981 | 1 | #82 BOOM BUTT ASSY |
| 8 | | 810215355 | 1 | BUTT WELDMENT INCLUDES THE FOLLOWING PARTS |
| | + | O-569 | 1 | #82 BOOM LACINGS SERVICE GROUP |
| 10 | + | 810172122 | 1 | CATWALK 30 FT #82 BOOM BUTT |
| 23 | + | 1779691 | 1 | LADDER |

+ SEE FURTHER BREAKDOWN THIS GROUP

Manitowoc Cranes



A - A

Manitowoc Cranes

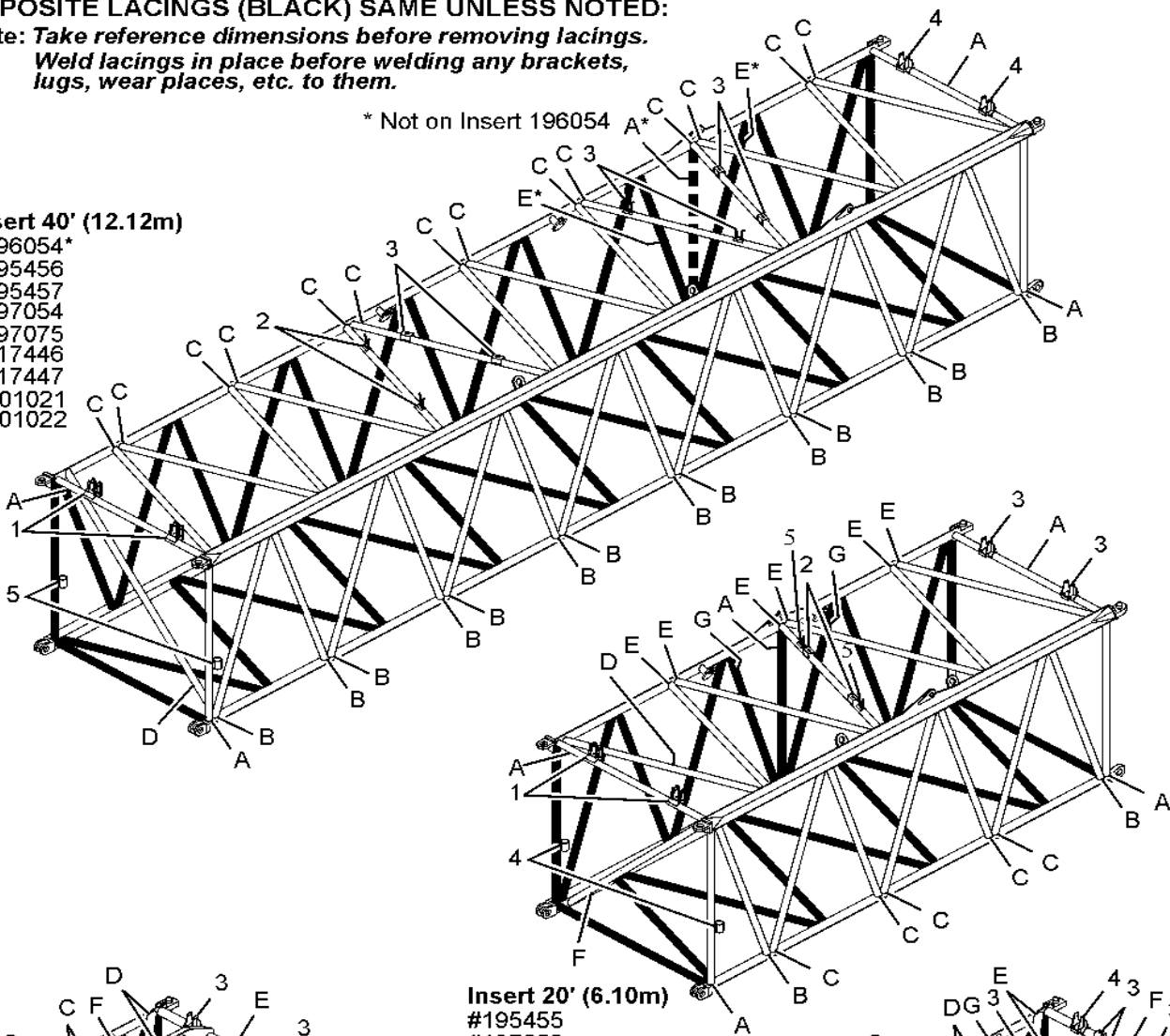
OPPOSITE LACINGS (BLACK) SAME UNLESS NOTED:

**Note: Take reference dimensions before removing lacings.
Weld lacings in place before welding any brackets,
lugs, wear places, etc. to them.**

* Not on Insert 196054

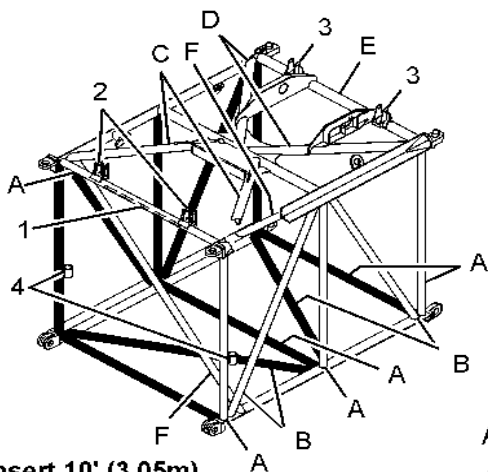
Insert 40' (12.12m)

#196054*
#195456
#195457
#197054
#197075
#417446
#417447
#A01021
#A01022



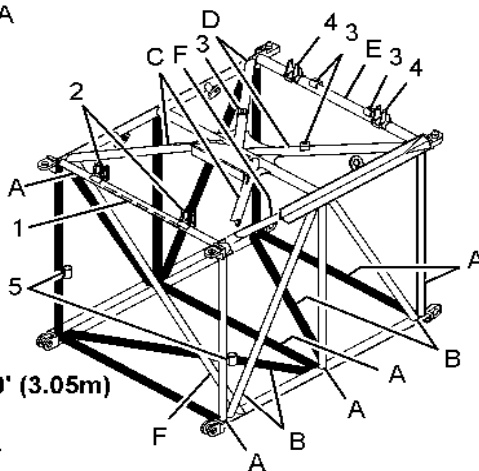
Insert 20' (6.10m)

#195455
#197052
#417445
#A01020



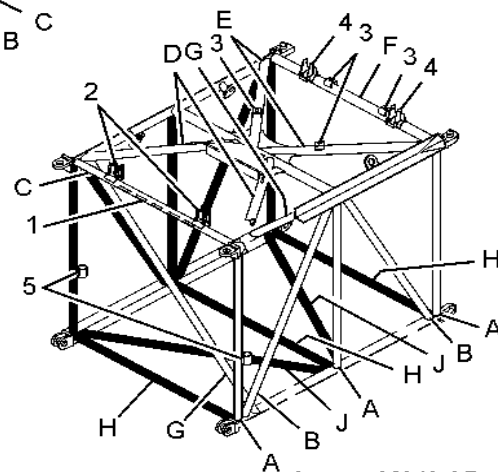
Insert 10' (3.05m)

#195454
#417452
#A01014
#A01015



Insert 10' (3.05m)

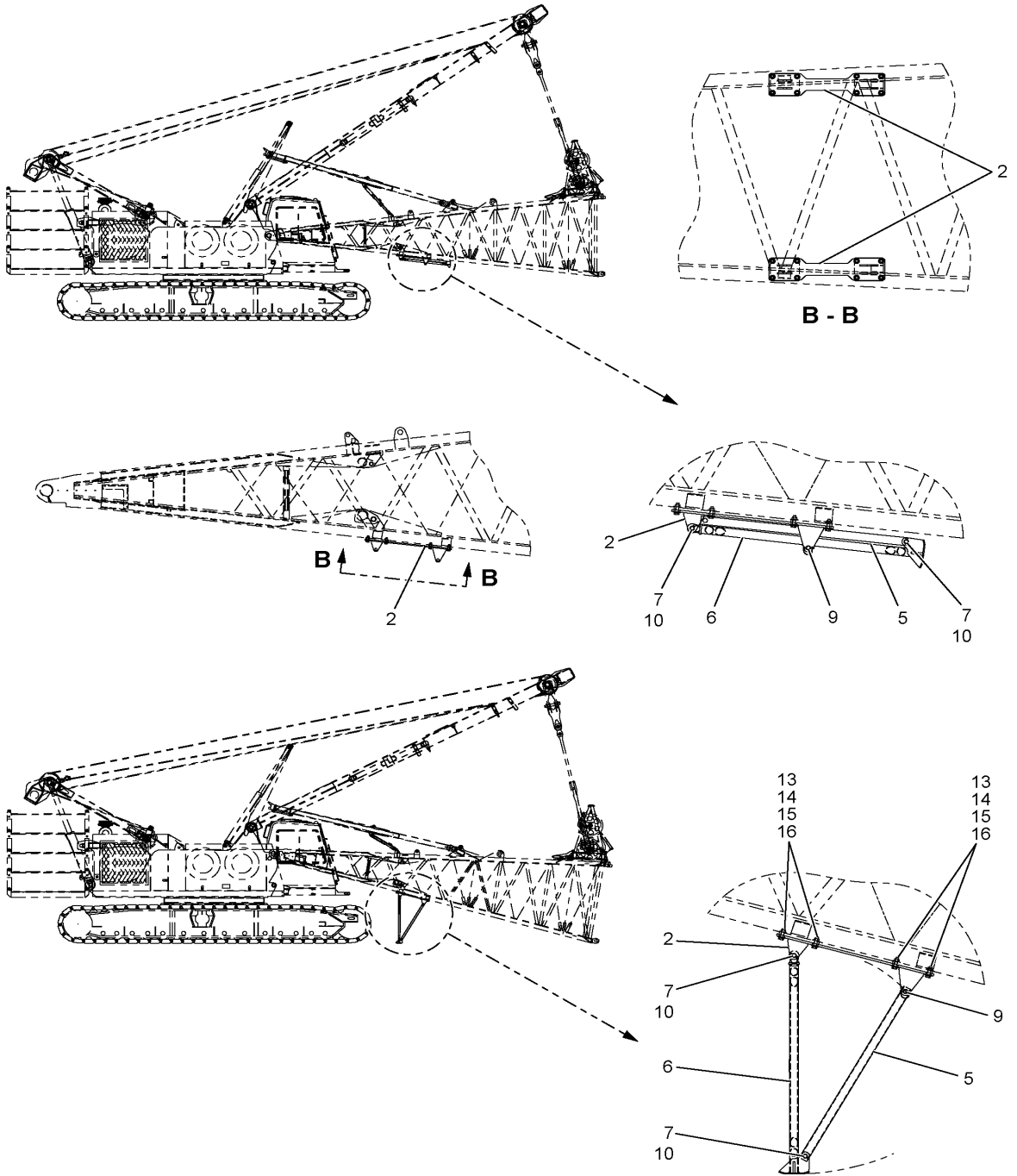
#196006
#417444
#A01017
#A01122



Insert 10' (3.05m)

#197050
#A01016
#A01019

Manitowoc Cranes



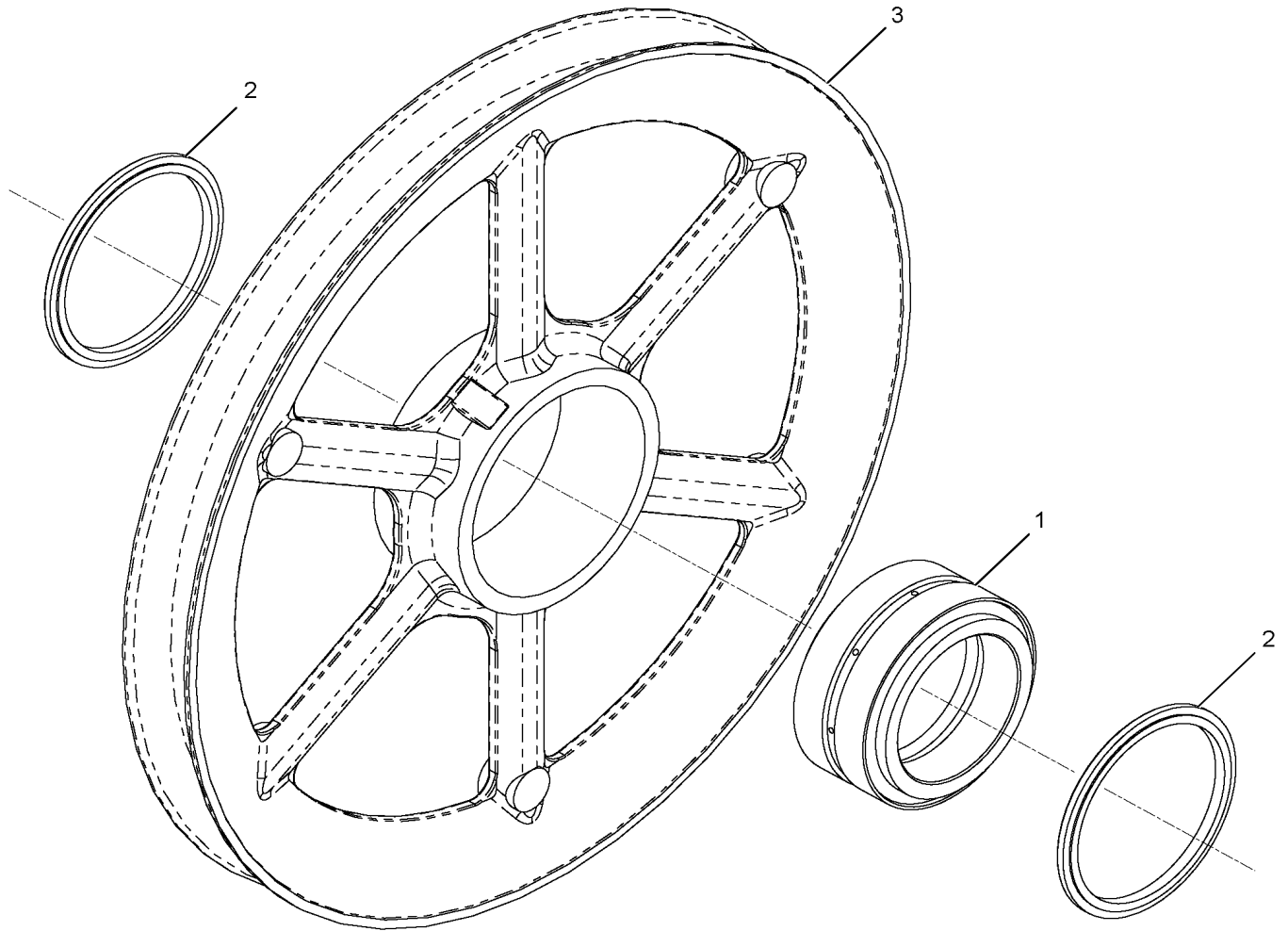
Manitowoc Cranes

Description
LINK W/290039 BUSHING

Assembly No.
1771234
Revision: **A**

| Item | FN | Part | Qty | Description |
|------|----|---------|-----|-------------|
| 2 | | 2900390 | 1 | BUSHING |

Manitowoc Cranes



Manitowoc Cranes

Description

LOAD SENSOR INSTRUMENTED

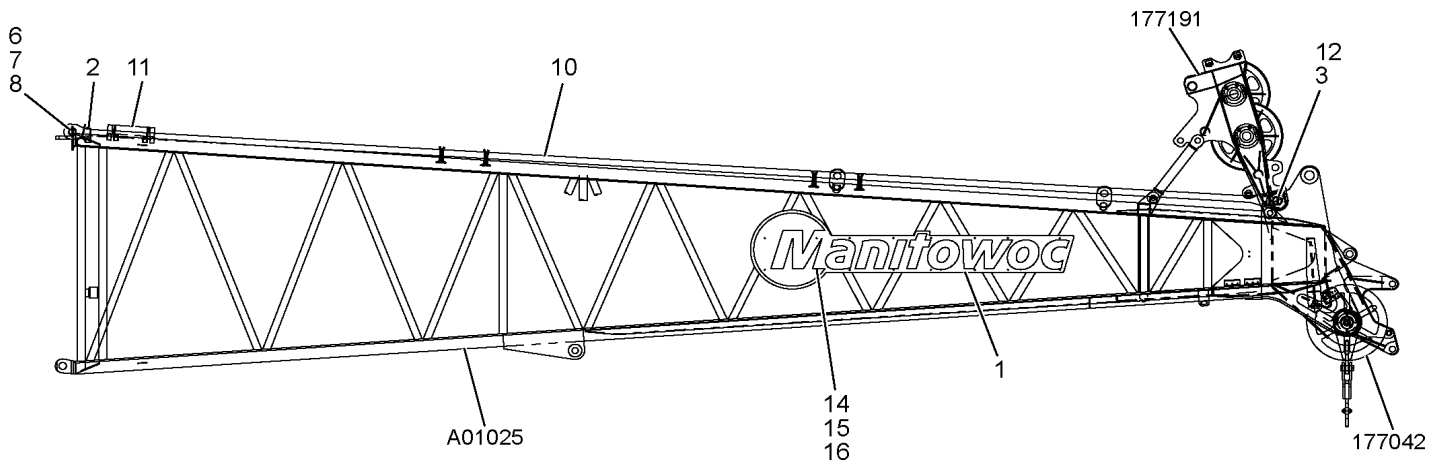
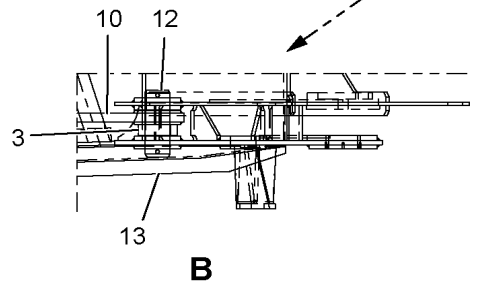
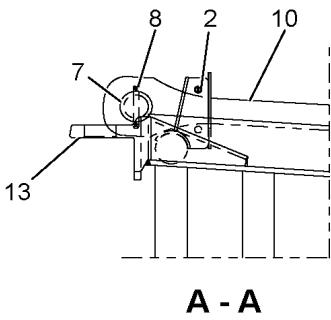
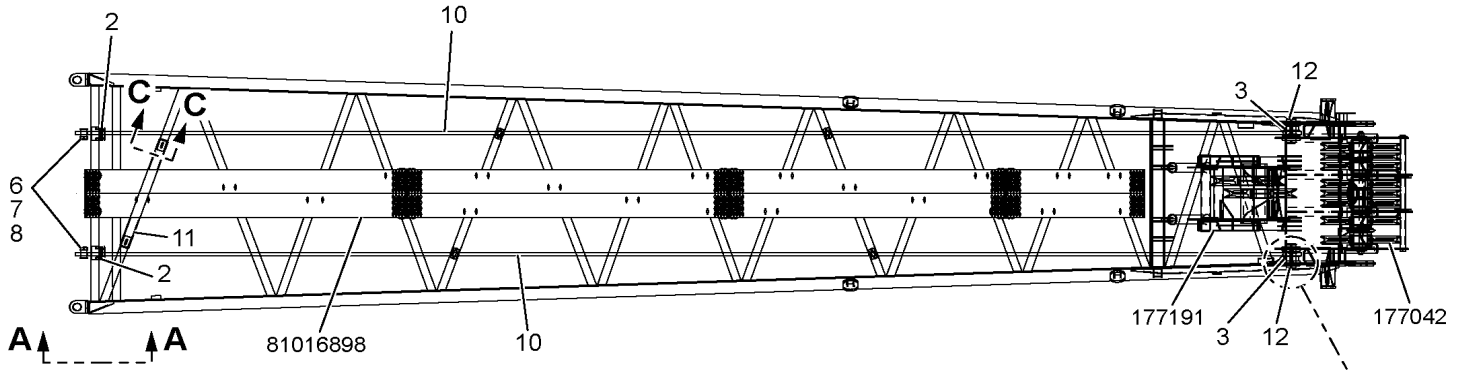
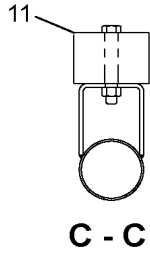
Assembly No.

1956271

Revision: **FC**

| Item | FN | Part | Qty | Description |
|------|----|----------|-----|-------------------------------|
| 1 | | 1792429 | 2 | SHEAVE |
| 2 | | 1792432 | 4 | WASHER |
| 3 | | 1793462 | 1 | PIN |
| 4 | | 1793052 | 2 | PLATE KEEPER |
| 5 | | 1959802 | 2 | PIN 2 HOLE |
| 6 | | 1959812 | 1 | FRAME |
| 8 | | 2250680 | 2 | BEARING |
| 9 | | 5638230 | 4 | PIN SAFETY |
| 11 | | 5963570 | 2 | RETAINING RING INT |
| 12 | | 6124520 | 4 | HHCS 3/8-16UNC X 0.75 GR 5 |
| 13 | | 7103040 | 4 | L WASHER |
| 14 | | 81035752 | 1 | PIN LOAD 2.25 DIA X 15000 LBS |

Manitowoc Cranes



Manitowoc Cranes

Description
JIB STOP ASSY, #134

Assembly No.
1793321
Revision: FE

| Item | FN | Part | Qty | Description |
|------|----|-----------|-----|---------------------|
| 1 | | 1773402 | 1 | OUTER/INNER TUBE |
| 2 | | 1772412 | 2 | LINK |
| 3 | | 5620440 | 4 | PIN, COTTER |
| 4 | + | 1793701 | 1 | GUIDE WIRE ROPE |
| 5 | | 6310940 | 2 | SHEAVE |
| 6 | | 1438892 | 2 | PIN 1 HOLE W/HD |
| 7 | | 6125510 | 2 | HHCS |
| 8 | | 7103060 | 2 | WASHER, LOCK |
| 9 | | 6124700 | 2 | SCREW, HEX HEAD CAP |
| 10 | | 5483420 | 2 | NUT, LOCK |
| 11 | | 1773182 | 2 | RETAINER |
| 12 | | 1773122 | 2 | RETAINER |
| 13 | | 6124530 | 8 | SCREW, HEX CAP |
| 14 | | 7103040 | 8 | L WASHER |
| 15 | | 1793902 | 1 | CABLE |
| 16 | | 1773162 | 2 | PIN 2 HOLE |
| 17 | | 810063580 | 4 | SPACER PIPE |
| 18 | | 6246310 | 2 | SHACKLE |
| 19 | | 6827020 | 4 | THIMBLE |
| 20 | | 3492810 | 8 | CLIP |
| 22 | | 5638710 | 2 | PIN, SAFETY |
| 23 | | 1773672 | 2 | PIN |
| 24 | | 5638230 | 4 | PIN SAFETY |
| 25 | | 0706469 | 2 | PIN |
| 26 | | 6525240 | 2 | SPRING |
| 27 | | 7094600 | 4 | WASHER, FLAT SHIM |
| 28 | | 5621070 | 4 | PIN COTTER |
| 29 | | 7169790 | 1 | WINCH |
| 30 | | 5637420 | 2 | PIN, SPRING SLOT |
| 31 | | 7193040 | 65 | WIRE ROPE 3/16 7X19 |
| 32 | | 7193040 | 20 | WIRE ROPE 3/16 7X19 |

+ SEE FURTHER BREAKDOWN THIS GROUP

Manitowoc Cranes

Notes

Manitowoc Cranes

Description

CATWALK ASSY 20' #22 OR #82 IN

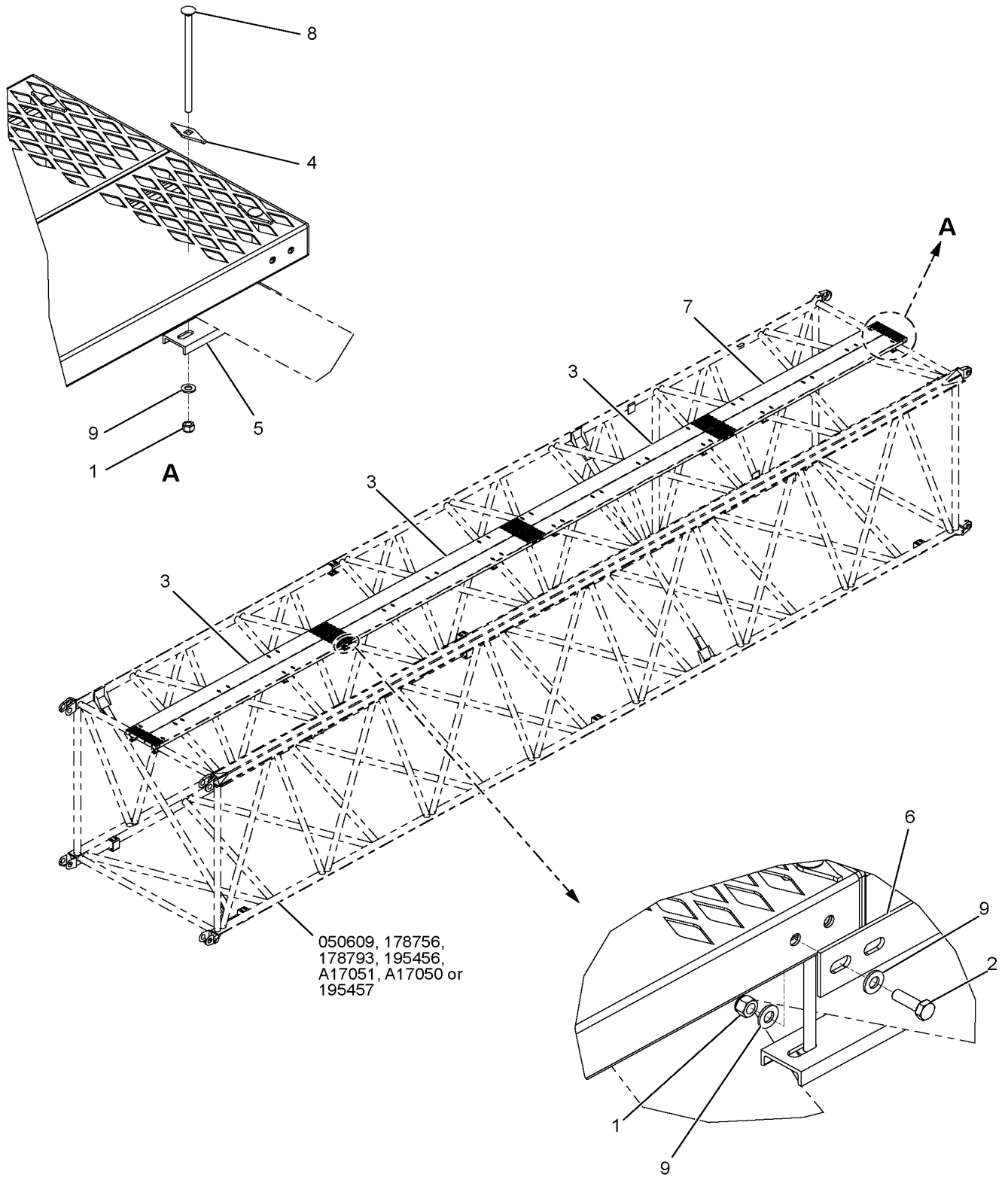
Assembly No.

81016901

Revision: **B**

| Item | FN | Part | Qty | Description |
|------|----|-------------------|-----|-------------------------------|
| 1 | | 7660152500 | 38 | HEX LOCK NUT PA 5/16-18UNC SS |
| 2 | | 6124050 | 12 | HHCS |
| 3 | | 810166880 | 1 | CAT WALK |
| 4 | | 810166910 | 26 | WASHER SHOULDER |
| 5 | | 810168362 | 13 | SUPPORT |
| 6 | | 810169952 | 2 | BRACKET |
| 7 | | 810169980 | 1 | PLATFORM CATWALK WELDMENT |
| 8 | | 7115155064 | 26 | C BOLT |
| 9 | | 7950150141 | 50 | F WASHER 5/16" |

Manitowoc Cranes



Manitowoc Cranes

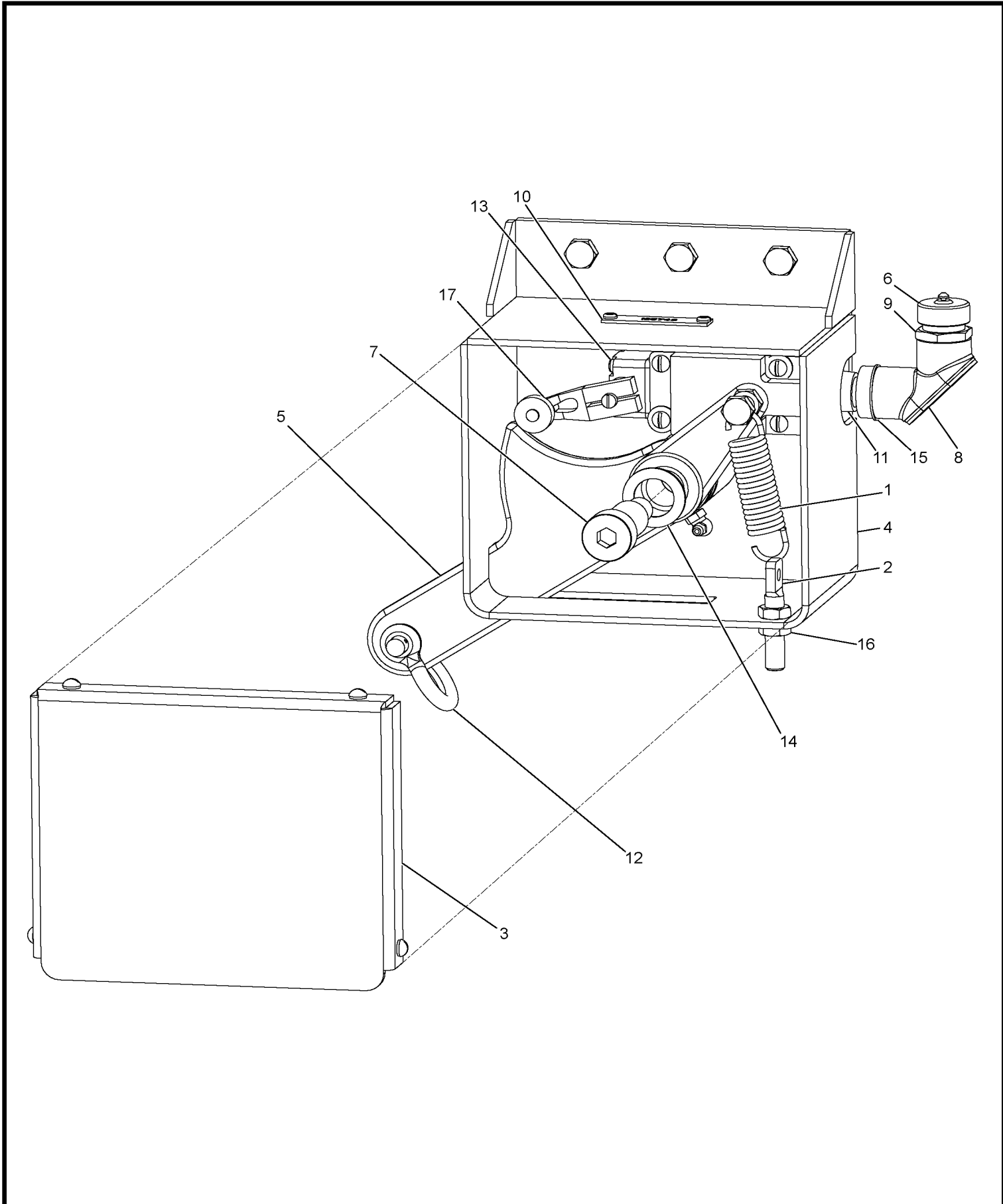
Description
UPPER BOOM POINT ASSY

Assembly No.
81032605
Revision: A

| Item | FN | Part | Qty | Description |
|------|----|---------|-----|------------------------------|
| 1 | + | 1704191 | 1 | UPPER BOOM POINT ASSY |
| 2 | + | 1704193 | 1 | SHEAVE FOR 1" WIRE ROPE |
| 3 | + | 170419A | 1 | PIN FOR DEAD END ANCHOR LINK |
| 4 | + | 1957494 | 1 | BLOCK UP LIMIT SWITCH ASSY |

+ SEE FURTHER BREAKDOWN THIS GROUP

Manitowoc Cranes



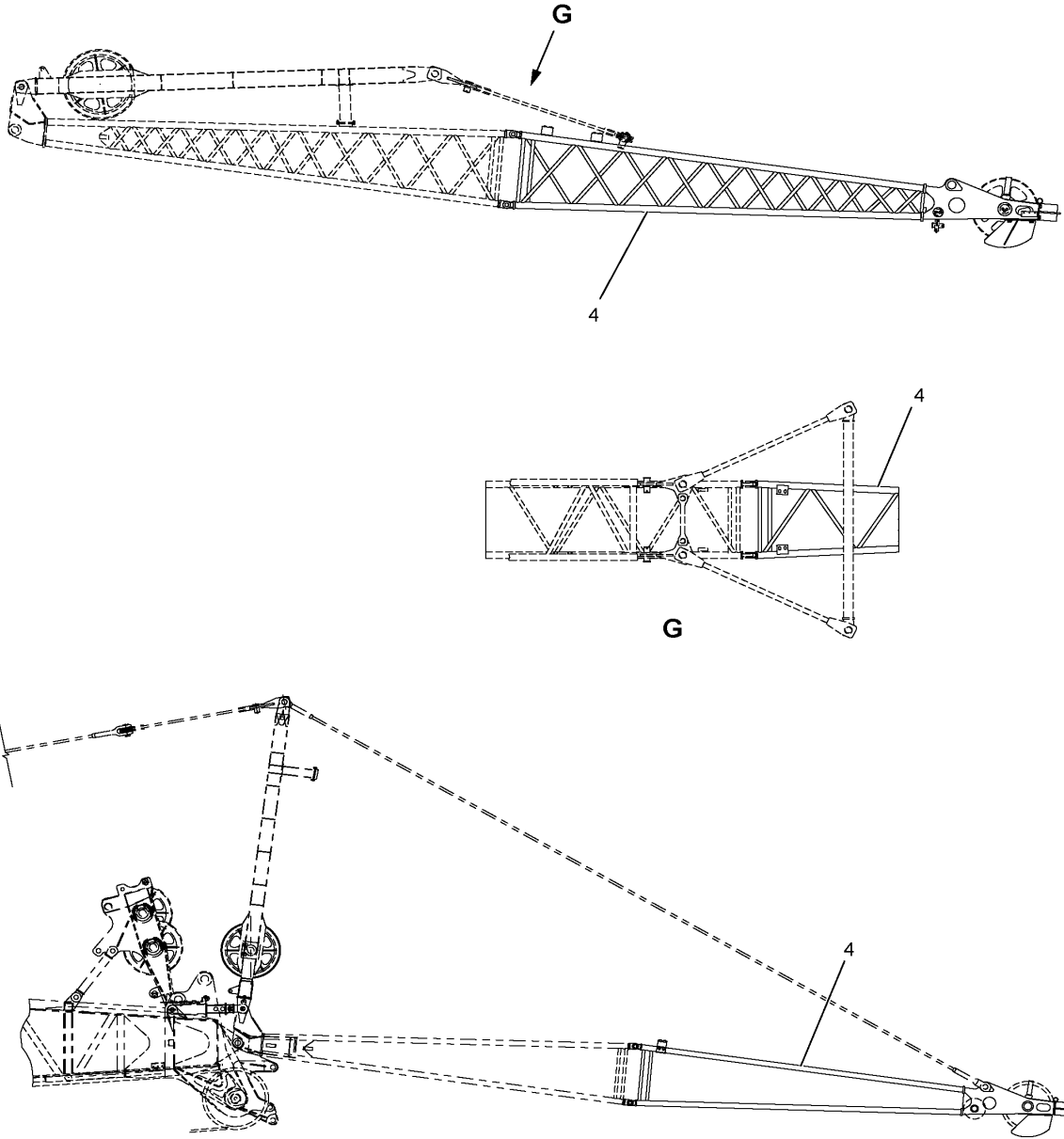
Manitowoc Cranes

Description
SOCKET/WEDGE, 1" (26 MM)

Assembly No.
6462460
Revision:

| Item | FN | Part | Qty | Description |
|------|----|------------|-----|--------------|
| 1 | | 9826220012 | 1 | SOCKET (1") |
| 2 | | 9914100033 | 1 | PIN W/COTTER |
| 3 | | 9826220014 | 1 | WEDGE (1") |
| 4 | | 7312800000 | 1 | CLAMP |

Manitowoc Cranes



Manitowoc Cranes

Description

WITH #123 OR #134 FIXED JIB

Assembly No.

195549B

Revision: **FE**

| Item | FN | Part | Qty | Description |
|------|----|-------------------|-----|--------------------------------|
| 174 | | 0761832 | 2 | U-BOLT |
| 175 | | 0936572 | 1 | BLOCK |
| 176 | | 7950140141 | 12 | WASHER, FLAT 1/4" PLAIN NARROW |
| 177 | | 1424032 | 1 | WEIGHT |
| 178 | | 810347192 | 1 | WEIGHT LIMIT SWITCH |
| 179 | | 1680912 | 1 | LUG |
| 181 | | 1793292 | 1 | BRACKET |
| 182 | | 1793302 | 1 | PLATE MOUNTING |
| 183 | | 1793522 | 1 | PIN |
| 186 | | 7115140850 | 8 | HHCS 1/4-20UNCX1.00 G5 |
| 187 | | A144600 | 1 | BOX JUNCTION ASSY |
| 188 | | 810166530 | 1 | CABLE ELEC |
| 189 | | 3341010 | 22 | CHAIN |
| 191 | | 3490360 | 2 | CLIP, CORD |
| 192 | | 3490390 | 2 | CLIP |
| 193 | | 5483410 | 8 | HEX LOCK NUT, 1/4 -20UNC GR C |
| 194 | | 4774910 | 1 | HARNESS EXTENSION |
| 195 | | 4774470 | 1 | HARNESS |
| 199 | | 6246330 | 3 | SHACKLE |
| 200 | | 6670420 | 24 | STRAP-STAY |
| 202 | | 7094600 | 2 | WASHER, FLAT SHIM |
| 203 | | 6124530 | 3 | SCREW, HEX CAP |
| 204 | | 7094400 | 3 | WASHER, FLAT |

Manitowoc Cranes

Description

BRACKET FOR WIND SPEED IND

Assembly No.

1958917

Revision: **FB**

| Item | FN | Part | Qty | Description |
|------|----|----------------|-----|-------------|
| 55 | | 1771542 | 1 | BRACKET |
| 71 | | 6124510 | 4 | HHCS |
| 72 | | 7103040 | 4 | L WASHER |

Manitowoc Cranes

| Alphabetical Index | Appendix A | |
|--------------------------------|--|--|
| Description | Part | Page |
| ARM, WIPER | 2981240 | 94 |
| ARM, WIPER DRIVE (DOUBLE LINK) | 2981230 | 94 |
| ARMRESTS (PAIR) | 6230730 | 123 |
| ASSEMBLY, COVER | 9258220004 | 565 |
| AUTOMATED LUBE SYS-TURNTBL BRG | A141010 | 475 |
| AUTOMATIC JIB STOP SWITCHES | 1964852 | 777 |
| BALL 1/4" (RB-6,35) | 9490220110 | 11 |
| BALL JOINT | 4973180 | 133 |
| BAR | 2199200 | 47 |
| BAR FLAT .13 X .63 X 2.88 | 810215710 | 438 |
| BAR FLAT .13 X .63 X 6.88 | 810192670 | 438 |
| BAR FLAT 0.13 X 0.63 COPPER | 810156430 | 438 |
| BASE OPERATORS CAB | 1786632 | 89 |
| BASE, SWITCH MOUNTING | 6727500 A096020 | 117, 445 445 |
| BASIC JIB PENDANTS | 1770622 | 821 |
| BATTERY | 810006580 810037660 A189270 | 297 459 460 |
| BATTERY ASSY CUMMINS QSL9 T4F | 810297381 | 255 |
| BATTERY TERMINAL SPRAY | 9999102423 | 95, 318, 431 |
| BEAM | 1764142 | 193, 527 |
| BEARING | 2250190 2250680 9086100879 9490220315 9576101335 | 35, 783, 789, 793, 875 803, 805, 911 919 727 727 |
| BEARING LOCK WASHER | 2251110 | 871 |
| BEARING LOCKNUT | 2251050 | 871 |
| BEARING ROLLER | 810078580 | 797, 909 |
| BEARING TURNTABLE | 810027540 | 159 |
| BEARING, BALL | 02251533 2241950 9069220007 9490220037 A095170 | 649 739 11 171 267 |
| BEARING, BALL (60x95x11) | 9069220009 | 173, 651 |
| BEARING, BALL (70x110x20) | 9069220010 | 13, 173, 651 |
| BEARING, JOURNAL | 9722220305 | 565 |
| BEARING, NEEDLE | 9490220035 9490220047 9490220066 | 171 171, 725 7 |
| BEARING, NEEDLE (6x20) | 9490220069 | 7 |
| BEARING, ROLLER | 9722220312 | 565 |

From - ARM, WIPER

To - BEARING, ROLLER

Manitowoc Cranes

| Alphabetical Index | Appendix A | |
|---------------------------------------|-------------------------------|------------|
| Description | Part | Page |
| COVER | 1770022 | 333 |
| | 1782152 | 709 |
| | 1787492 | 515 |
| | 3785310 | 147 |
| | 3785320 | 147 |
| | 3785350 | 147 |
| | 3785360 | 147 |
| | 810147732 | 225 |
| | 810147742 | 225 |
| | 810147752 | 225 |
| | 810147772 | 225 |
| | 810147782 | 225 |
| | 810147792 | 225 |
| | 810168712 | 271 |
| | 9490220228 | 727 |
| | 9632220071 | 187 |
| | COVER ASM, CHARGE PUMP | 9722220142 |
| COVER ASSY | 810178170 | 297 |
| COVER BLANK PLATE | 1765022 | 107 |
| COVER GEAR | 1793152 | 191 |
| COVER PLATE | 1784572 | 99 |
| | A096972 | 267 |
| COVER PLATE, SWITCH HOUSING | 1768692 | 23 |
| COVER SKYLIGHT WINDOW | 3785340 | 147 |
| COVER, BLANK | 3785140 | 445, 453 |
| COVER, CARDBOARD SAE C | 9258220005 | 617 |
| COVER, CARDBOARD SAE D | 9258220006 | 617 |
| COVER, COOLER SHROUD | 810156772 | 283 |
| | 810156782 | 283 |
| | 810156792 | 283 |
| | 810156802 | 283 |
| | 810157212 | 283 |
| | 810157222 | 283 |
| | 810157232 | 283 |
| | 810157242 | 283 |
| COVER, FLANGE | 90022126 | 289 |
| | 9722220111 | 595, 611 |
| COVER, GASKET | 1770032 | 333 |
| COVER, GREASE PUMP | 9722220174 | 478, 694 |
| COVER, HOUSING | 9722220907 | 477, 693 |
| COVER, INPUT | 9490220227 | 727 |
| COVER, OPERATORS CAB DOOR TRAC | 810183352 | 95 |
| COVER, PUMP RESERVOIR | 9722220894 | 477, 693 |
| COVER, WIRE DUCT | 2980890 | 93 |
| CRAWLER ASSY | 81005867C | 695 |
| | 81005867D | 695 |
| CRAWLER DRIVE ASSEMBLY | 810059243 | 695 |
| CRAWLER DRIVE ASSY BRAKES | 810059244 | 643 |

From - COVER

To - CRAWLER DRIVE ASSY BRAKES

Manitowoc Cranes

| Alphabetical Index | Appendix A | |
|---|-------------------------|---------------|
| Description | Part | Page |
| GUARD | 1771102 | 779 |
| | 1772922 | 795 |
| | 1782142 | 709 |
| | 1796452 | 709 |
| | 1951442 | 709 |
| | 1954172 | 709 |
| | 1957092 | 33 |
| | 81037647 | 697 |
| | 81037648 | 697 |
| | GUARD FIBERGLASS | 1771672 |
| GUARD PROTECTIVE | 810111952 | 459 |
| GUARD ROPE | 1767552 | 747 |
| GUARD WIRE ROPE | A020662 | 907 |
| | A023702 | 907 |
| | A079362 | 871 |
| GUARD, PROTECTIVE STRIKER STUD GUIDE | 810218260 | 94 |
| | 1954312 | 637 |
| | 1954382 | 351 |
| | 9822220006 | 59 |
| GUIDE WIRE ROPE | 1793701 | 825 |
| | 1793891 | 829 |
| GUIDE, PISTON | 9372220127 | 353 |
| | 9372220680 | 39 |
| GUIDE, SPRING | 9632220112 | 183 |
| HANDLE (BOTH HALVES) | 9872220051 | 109 |
| HANDLE WELDMENT CLUTCH | 81041231 | 263 |
| HANDLE, D-RING, FLUSH LOCKING | 2981310 | 94 |
| HANDLE, INSIDE | 2981390 | 95 |
| HANDLE, SHELL (BOTH HALVES) | 9352100792 | 101, 103, 105 |
| HANGER, ROLLER | 2982170 | 95 |
| HARNESS | 4774470 | 913 |
| | 4774730 | 799 |
| | 4774980 | 121 |
| | 4774990 | 121 |
| HARNESS EXT | 4774740 | 801 |
| HARNESS EXTENSION | 4774910 | 799, 913 |
| | 4774930 | 879 |
| HARNESS, 36" LG 3 PIN WIRE | 9726220034 | 129 |
| HARNESS, 90 DEG WIRE | 9726220033 | 129 |
| HEAD | 9372220194 | 633 |
| | 9372220666 | 163, 639 |
| HEADREST | A183980 | 123 |
| HEATER | 810115750 | 459 |
| HEATER & A/C UNIT | A002570 | 127 |
| HEATER, OIL IMMERSION | 4800880 | 375 |
| HEX BUSHING PIPE | 2887520 | 259 |

From - GUARD

To - HEX BUSHING PIPE

Manitowoc Cranes

| Alphabetical Index | Appendix A | |
|--------------------------------|------------|----------|
| Description | Part | Page |
| LOCTITE SEALER | 6222930 | 94, 629 |
| LOUVER-MOVABLE SLATS | 5109360 | 129 |
| LOUVER-STATIONARY SLATS | 5109370 | 131 |
| LOWER BOOM POINT F/#22 EL BOOM | 1770421 | 777 |
| LUBE SYST CRAWLERS | 81033738D | 695 |
| LUBE SYST CRAWLERS, W/O LIFT | 810337389 | 695 |
| LUG | 1680912 | 879, 913 |
| LUG COMPRESSION 1/0 .25 | 810196182 | 321 |
| LUG STUD, PLATED | 1778342 | 771 |
| MANIFOLD | 1934422 | 361, 503 |
| MANIFOLD ASSEMBLY | 1954231 | 1 |
| MANIFOLD ASSEMBLY, TANK RETURN | 810143550 | 515 |
| MANIFOLD ASSY | 810219310 | 301 |
| MANIFOLD BLOCK 8 BANK D03 | 7034810 | 489 |
| MANIFOLD, VALVE (3 BANK W/RELI | A110209 | 61 |
| MAST | 1963802 | 33 |
| MAST ASSEMBLY | 1963811 | 1 |
| | 1963812 | 1 |
| MAT | 1788702 | 83 |
| METER ENGINE HOUR | 810047500 | 97 |
| MIRROR | 5327250 | 3 |
| MIRROR HEAD, CONVEX | 2981020 | 93 |
| MODIFICATION, TO 460404 LIQ L | 1769892 | 279 |
| MOLDING RUBBER SEAL | 84053558 | 95 |
| | 84053559 | 95 |
| | 84053560 | 95 |
| | 84053561 | 95 |
| MOLDING, FLANGE | 810179830 | 95 |
| MOTOR COMPONENTS | 90022127 | 289 |
| MOTOR HYD | 5364940 | 167 |
| | 810000090 | 647 |
| MOTOR HYDR PISTON FIXED | 810118760 | 287 |
| MOTOR HYDR PISTON VARIABLE | 810000130 | 389, 405 |
| MOTOR SEAL KIT | 5364515 | 657 |
| MOTOR WIPER KIT 12V | 84030451 | 93 |
| MOUNT | 5367740 | 79 |
| MOUNT ISOLATOR | 5367750 | 259 |
| MOUNT, STRIKER STUD | 2980930 | 93 |
| MOUNT, WINDSHIELD LEFT LATCH | 2980950 | 93 |
| MOUNT, WINDSHIELD RIGHT LATCH | 2980940 | 93 |
| MULTI FUNCTION VALVE ASSEMBLY | 7041810 | 595, 611 |

From - LOCTITE SEALER

To - MULTI FUNCTION VALVE ASSEMBLY

Manitowoc Cranes

| Alphabetical Index | Appendix A | |
|---------------------------------------|--|---|
| Description | Part | Page |
| PLUG | 9632220004 9632220005 | 183, 189, 657 183, 187, 553, 565, 581, 595, 657 |
| | 9632220022 9632220044 9632220069 9632220208 9632220225 9722220095 9722220994 9934220002 | 595, 657 657 189 657 187 183, 565, 581 617 8 |
| PLUG (1/4 GAS-3/8 11/16 16) | 9490220128 | 13 |
| PLUG (1/4 NPT) | 9372220503 | 39 |
| PLUG (1/8"NPT) | 9372220265 | 39, 59 |
| PLUG (3/8" GAS DIN 908) | 9490220172 | 7 |
| PLUG (SAE 8) | 9372220228 9372220533 | 39 633 |
| PLUG (SAE-4) | 9372220009 | 633 |
| PLUG 37 PIN CONTACTS 0 DE | 5724580 | 437 |
| PLUG 37 POLE FEMALE | 5724610 | 437 |
| PLUG CONNECTOR | 5724560 | 437 |
| PLUG DUST | A089600 | 362 |
| PLUG ELEC FEMALE PLUG 23-37 CO | 5723760 | 437 |
| PLUG ELEC KEYING PLUG | 5723690 | 437 |
| PLUG ELEC MALE 37 COND PINS | 5723660 | 437 |
| PLUG ELECTRICAL | 5725480 810142460 810142470 810188130 A107320 A195230 | 321 931 931 453 459 322 |
| PLUG ELECTRICAL 40 SOCKET | A006740 | 322 |
| PLUG ELECTRICAL SEALING CAP AS | 810185120 | 321 |
| PLUG FEMALE | 5724920 | 437 |
| PLUG FEMALE, 16/2 15 FT #102S | 5725090 | 813 |
| PLUG MALE W/CABLE | 5723860 | 141 |
| PLUG MALE, 16/10 50' CORD BH | 5723990 | 23 |
| PLUG PIN CONTACT | 5725930 | 322 |
| PLUG PIPE | 5716210 5717240 | 520, 705 307, 389, 405 |
| PLUG PIPE, 0.25 BRASS | 810153340 | 279 |
| PLUG SEALING | 5725230 | 321, 325 |
| PLUG SEALING CONTACT SIZE | 5726020 | 321 |
| PLUG SIGHT GLASS | A167920 | 167 |
| PLUG, FEM 3 POLE 12' LG SHIEL | 5725870 | 813 |

From - PLUG

To - PLUG, FEM 3 POLE 12' LG SHIEL

Manitowoc Cranes

| Alphabetical Index | Appendix A | |
|-------------------------------------|------------|---------------|
| Description | Part | Page |
| SOLENOID COIL | 7038986 | 491 |
| SPACER | 1625762 | 815 |
| | 1698372 | 871 |
| | 1706692 | 785 |
| | 1706772 | 871 |
| | 1760292 | 709 |
| | 1765892 | 47 |
| | 1765902 | 47 |
| | 1765912 | 47 |
| | 1765922 | 47 |
| | 1766622 | 33 |
| | 1766632 | 33 |
| | 1766642 | 33 |
| | 1767592 | 747 |
| | 1956532 | 191 |
| | 1961372 | 549 |
| | 1965592 | 235, 239, 243 |
| | 4116110 | 235, 239, 243 |
| | 810346092 | 707 |
| | 9188220014 | 173, 651, 653 |
| | 9490220491 | 727 |
| | A032990 | 329 |
| SPACER CLAMP | 1774742 | 907 |
| SPACER PIPE | 810063580 | 825 |
| | A103772 | 263 |
| SPACER TUBE | A014362 | 280 |
| SPACER, | 1944042 | 813 |
| | 1961722 | 813 |
| | 1961732 | 813 |
| SPACER, DOUBLE ROLLER | 2982190 | 95 |
| SPACER, PIPE | 9539220030 | 889 |
| SPACER, WIPER SHAFT | 2981290 | 94 |
| SPACERS WITH-2-SHEAVES BM PT | 1770422 | 777 |
| SPHER ROLLER BRG | 2254700 | 389, 405 |
| SPOOL ASM | 9632220058 | 658 |
| SPOOL, BI-DIRECTIONAL | 9632220081 | 183 |
| SPRAY CORROSION PREVENTATIVE | 9999101803 | 145 |
| SPREADER | 1773002 | 907 |
| SPRING | 0012042 | 809, 881, 915 |
| | 0034392 | 43 |
| | 0038942 | 133 |
| | 0116982 | 133 |
| | 0701262 | 195, 203, 211 |
| | 6525240 | 825 |
| | 90039371 | 919 |
| | 9049108512 | 395, 411 |
| | 9372220367 | 663 |
| | 9490220447 | 13 |
| | 9632220047 | 183, 657 |
| | 9632220075 | 187 |
| | 9632220086 | 189 |

From - SOLENOID COIL

To - SPRING

Manitowoc Cranes

Notes

Manitowoc Cranes

| Numeric Index | | Appendix B |
|---------------|-------------------------------|---------------|
| Part | Description | Page |
| 1955692 | BRACKET | 297 |
| 1955702 | ANGLE | 229 |
| 1955712 | ANGLE | 229 |
| 1955722 | TUBE | 229 |
| 1955732 | TUBE | 229 |
| 1955772 | HINGE | 235, 239, 243 |
| 195602D | ELECTRICAL CONTROL WIRING | 469 |
| 195602F | ESI ROTATING BED | 135 |
| 195602G | ELECTRICAL CONTROL WIRING | 1 |
| 195602K | ELEC. CONTROL WIRING ASSEMBLY | 469 |
| 1956035 | SWITCH ASSEMBLY, CRANE REMOTE | 19 |
| 1956141 | RATCHET AND PAWL-FRONT DRUM | 159 |
| 1956151 | RATCHET AND PAWL-REAR DRUM | 159 |
| 1956161 | RATCHET AND PAWL-BOOM HOIST | 159 |
| 1956271 | LOAD SENSOR INSTRUMENTED | 777 |
| 1956281 | LOAD SENSOR INSTRUMENTED | 777 |
| 1956532 | SPACER | 191 |
| 1956542 | BOLT | 191 |
| 1956769 | SUPPORT | 389, 405 |
| 1956779 | SUPPORT | 389, 405 |
| 1956789 | PIN KEEPER | 403, 419 |
| 1956799 | PIN | 403, 419 |
| 1956809 | PIN 1 HOLE W/HD | 403, 419 |
| 1956819 | PIN | 403, 419 |
| 1956902 | FITTING ADAPTER SPECIAL | 389, 405 |
| 1957089 | SHEAVE ASSEMBLY 20IN | 33 |
| 1957092 | GUARD | 33 |
| 1957102 | PIN 2 HOLE | 195 |
| 1957112 | PAWL | 199 |
| 1957132 | BRACKET | 195 |
| 1957142 | PIN | 631 |
| 1957182 | PIN KEEPER | 631 |
| 1957192 | RESERVOIR, HYDRAULIC | 515 |
| 1957222 | TUBE | 427 |
| 1957232 | TUBE | 519 |
| 1957242 | TRAY | 349 |
| 1957256 | COUNTERWEIGHT | 349 |
| 1957294 | SUPPORT | 219 |
| 1957302 | PLATE, ZINC | 503 |

From - 1955692

To - 1957302

Manitowoc Cranes

| Numeric Index | | Appendix B |
|---------------|--------------------------------|--------------------------------------|
| Part | Description | Page |
| 4069690 | ELBOW, PIPE | 515 |
| 4070360 | ELBOW | 271 |
| 4113130 | SCREW, CAP | 251 |
| 4113580 | WEATHER STRIPPING | 251, 253, 297 |
| 4113640 | LATCH | 249 |
| 4113650 | LATCH | 297 |
| 4113740 | CAP END RIGHT SIDE FRONT | 229 |
| 4113750 | DOOR LARGE FRONT LEFT SIDE FR | 229 |
| 4113760 | DOOR LARGE LEFT SIDE REAR ENCL | 229 |
| 4113770 | DOOR PANEL ASSY | 249 |
| 4113800 | CAP END LS FRONT | 229 |
| 4113810 | CAP END LS REAR ENCLOSURE ASSY | 229 |
| 4113880 | DOOR LARGE RIGHT SIDE | 229 |
| 4113890 | DOOR | 251 |
| 4113920 | CAP | 231 |
| 4113930 | DOOR | 235, 239, 243 |
| 4113940 | CAP | 245 |
| 4113950 | CAP | 247 |
| 4113970 | LATCH, LEVER | 235, 239, 243, 251 |
| 4113980 | HINGE | 251 |
| 4113990 | SHOCK | 251 |
| 4114580 | ENCODER | 167 |
| 4114620 | ENCODER INCREMENTAL | 403, 419 |
| 4116030 | BRACKET, SHOCK | 251, 253 |
| 4116040 | PLUG, PLASTIC | 231, 235, 239, 243, 245, 247, 253 |
| 4116050 | ROD | 235, 239, 243 |
| 4116060 | RETAINER | 235, 239, 243 |
| 4116070 | STRAP | 235, 239, 243 |
| 4116080 | SHOCK (NON-LOCKING) | 235, 239, 243 |
| 4116090 | CLIP | 235, 239, 243 |
| 4116100 | STUD,10MM BALL | 235, 239, 243 |
| 4116110 | SPACER | 235, 239, 243 |
| 4116120 | PLUG | 235, 239, 243 |
| 4116130 | RUBBER | 235, 239, 243 |
| 4116140 | PORT, ACCESS | 253 |
| 4116160 | TRIM LOCK | 245 |
| 4136240 | ENGINE WATER FILTER | 531, 541 |
| 4168000 | EXTINGUISHER | 89 |
| 4218340 | FASTENER | 167 |

From - 4069690

To - 4218340

Manitowoc Cranes

| Numeric Index | | Appendix B |
|---------------|--------------------------------|--------------------|
| Part | Description | Page |
| 5638970 | HITCH PIN | 681 |
| 5639120 | PIN, QUICK RELEASE | 747 |
| 5640970 | PIN 1 HOLE W/HD | 907 |
| 5661470 | PIPE, NIPPLE TOE | 333 |
| 5716210 | PLUG PIPE | 520, 705 |
| 5717030 | PLUG, PIPE | 516 |
| 5717040 | PLUG, PIPE | 705 |
| 5717110 | PLUG, PIPE | 515 |
| 5717200 | PLUG | 63, 362 |
| 5717240 | PLUG PIPE | 307, 389, 405 |
| 5719070 | PLUG, OUTLET CLOSURE | 691 |
| 5723260 | PLUG | 121 |
| 5723350 | PLUG | 121 |
| 5723480 | PLUG-FEMALE | 931 |
| 5723510 | PLUG, FEMALE | 437, 453 |
| 5723660 | PLUG ELEC MALE 37 COND PINS | 437 |
| 5723690 | PLUG ELEC KEYING PLUG | 437 |
| 5723760 | PLUG ELEC FEMALE PLUG 23-37 CO | 437 |
| 5723860 | PLUG MALE W/CABLE | 141 |
| 5723990 | PLUG MALE, 16/10 50' CORD BH | 23 |
| 5724140 | PLUG, SEALING | 321 |
| 5724150 | PLUG | 453 |
| 5724560 | PLUG CONNECTOR | 437 |
| 5724580 | PLUG 37 PIN CONTACTS 0 DE | 437 |
| 5724610 | PLUG 37 POLE FEMALE | 437 |
| 5724850 | PLUG | 431 |
| 5724920 | PLUG FEMALE | 437 |
| 5725090 | PLUG FEMALE, 16/2 15 FT #102S | 813 |
| 5725230 | PLUG SEALING | 321, 325 |
| 5725480 | PLUG ELECTRICAL | 321 |
| 5725730 | PLUG, MALE SHLD 16/2 X 12' BH | 813 |
| 5725870 | PLUG, FEM 3 POLE 12' LG SHIEL | 813 |
| 5725930 | PLUG PIN CONTACT | 322 |
| 5726020 | PLUG SEALING CONTACT SIZE | 321 |
| 5758970 | POTENTIOMETER | 109, 111, 113, 115 |
| 5827270 | PUMP HYD | 551 |
| 5827306 | KIT, CONTROL ORIFICE (.032) | 581 |
| 5827375 | SHAFT SEAL ASSEMBLY | 595, 611 |
| 5827380 | PUMP HYD | 609 |

From - 5638970

To - 5827380

Manitowoc Cranes

| Numeric Index | | Appendix B |
|---------------|---------------------------------|---------------|
| Part | Description | Page |
| 7126151056 | HSERFLGS | 317 |
| 7126151150 | CAP SCREW, M6X20 HEX HEAD | 317 |
| 7126151153 | HHCS M6X20 SS ISO 4017 | 317 |
| 7126151156 | SCREW, HEX HEAD SERRATED FLANG | 317, 333 |
| 7126170753 | CAP SCREW, M8X10 HEX HEAD -8.8 | 317 |
| 7126171153 | HHCS M8X20 8.8 ISO 4017 | 317 |
| 7126171253 | HHCS M8X25 8.8 ISO 4017 | 260, 280 |
| 7126171550 | CAP SCREW, M8 X 40MM HEX HEAD | 329 |
| 7126172653 | HHCS M8x100 -8.8 ISO 4017 | 329 |
| 7126191153 | HHCS M10X20 8.8 | 271 |
| 7126191253 | HHCS M10X25 8.8 | 271 |
| 7126191453 | HHCS M10X35 8.8 FLZN 4017 | 260 |
| 7126192650 | CAP SCREW, M10 X 100MM HEX HEAD | 757 |
| 7126211253 | HHCS M12X25 8.8 FLZN ISO 4017 | 309 |
| 7126211353 | HHCS M12X30 8.8 FLZN ISO 4017 | 260 |
| 7126211953 | HHCS M12x60 -8.8 ISO 4017 | 280 |
| 7126212353 | HHCS M12x80 -8.8 ISO 4017 | 260 |
| 7126241653 | CAP SCREW, M16 X 45MM HEX HEAD | 309 |
| 7127151154 | SHCS | 317 |
| 7127171153 | SCREW, HEX CAP FULL THREAD | 301 |
| 7127172553 | HHCS FULL THREAD | 302 |
| 7127191353 | CAP SCREW, M10 X 30 | 275, 302, 309 |
| 7127191354 | CAP SCREW, M10X30 | 302 |
| 7127191453 | HHCS M10X35 10.9 FLZN ISO 4017 | 302 |
| 7127191550 | CAP SCREW, M10X40 HEX HEAD | 302 |
| 7127191553 | HHCS FULL THREAD | 275 |
| 7127211553 | HHCS M12x40 -10.9 ISO 4017 | 309 |
| 7127241653 | SCREW, HEX CAP FULL THREAD | 263 |
| 7127242450 | HHCS M16x85 -10.9 ISO 4014 | 263 |
| 7128111054 | SCR SKT HD M4-0.7X16 12.9 PLN | 317 |
| 7132650 | WEDGE | 55 |
| 7169790 | WINCH | 825 |
| 7172920 | PANTOGRAPHIC ADAPTER KIT | 93 |
| 7193040 | WIRE ROPE 3/16 7X19 | 825 |
| 7193880 | WIRE ROPE 7/8 CONSTRUCTEX | 421 |
| 7194321 | WIRE ROPE-1010 FT 26MM DYFORM | 425 |
| 7194322 | WIRE ROPE-1625 FT 26MM DYFORM | 423 |
| 7222090 | WRENCH OPEN END | 143 |
| 7224930 | WRENCH THIN OPEN END 1-1/2 | 143 |

From - 7126151056

To - 7224930

Manitowoc Cranes

| Numeric Index | | Appendix B |
|---------------|--------------------------------|-------------------|
| Part | Description | Page |
| 810177672 | PLATE, MOUNTING CONTROLLER ENG | 333 |
| 810177722 | SUPPORT | 297 |
| 810178170 | COVER ASSY | 297 |
| 810178260 | BOX JUNCTION ASSY | 459 |
| 810178270 | BOX, JUNCTION HOLE CALLOUT | 467 |
| 810178838 | CONTROLLER | 317 |
| 810178850 | JUNCTION BOX HOLE LAYOUT 14X12 | 322 |
| 810178870 | DECAL CONTROL ENGINE NODE | 322 |
| 810179452 | BRACKET | 757 |
| 810179670 | CABLE ELEC | 471 |
| 810179830 | MOLDING, FLANGE | 95 |
| 810179930 | CABLE ELEC | 449 |
| 810179940 | CABLE ELEC | 545 |
| 810181820 | DECAL-COOLANT LEVEL FULL | 533 |
| 810182050 | DECAL (EN) 29CFR 1926.1423 | 69 |
| 810182750 | CABLE ELEC | 481 |
| 810182880 | FUEL TANK FILLER ASSY | 333 |
| 810183080 | RECEPTACLE 9 PIN | 322 |
| 810183352 | COVER, OPERATORS CAB DOOR TRAC | 95 |
| 810183962 | BRACKET | 260 |
| 810184240 | TRANSDUCER PRESSURE | 63, 362, 504, 520 |
| 810185060 | CAP DUST | 497 |
| 810185120 | PLUG ELECTRICAL SEALING CAP AS | 321 |
| 810185870 | PHIL RMS, 10-32 X 0.50 SS | 21, 321, 325, 438 |
| 810185910 | PHIL RMS | 322 |
| 81018592 | PHIL RMS 6-32UNC X 0.50 SS | 322 |
| 810185930 | PHIL PMS #8 X 0.50 SS | 322 |
| 810187380 | BOX JUNCTION ASSY | 19 |
| 810187510 | CABLE ELEC | 19 |
| 810187630 | TERMINAL PARALLEL SPLICE T&B | 322 |
| 810187670 | BOX JUNCTION ASSY | 19 |
| 810188010 | TUBE PREFORMED, 4.00 OD CAC | 280 |
| 810188020 | TUBE PREFORMED, 4.00 OD CAC | 280 |
| 810188030 | TUBE PREFORMED, 2.25 OD X 0.0 | 280 |
| 810188042 | TUBE ROUND | 271 |
| 810188130 | PLUG ELECTRICAL | 453 |
| 810190590 | CABLE ELEC | 139 |
| 810190600 | CABLE ELEC | 139 |
| 810190610 | CABLE ELEC | 139 |

From - 810177672

To - 810190610

Manitowoc Cranes

| Numeric Index | | Appendix B |
|---------------|--------------------------------|--------------------------------------|
| Part | Description | Page |
| 9490220047 | BEARING, NEEDLE | 171, 725 |
| 9490220049 | EXTENSION | 171 |
| 9490220051 | PLATE, SUN GEAR STOP | 171, 393, 409 |
| 9490220052 | RING, EXTERNAL.SNAP | 171 |
| 9490220054 | SHAFT (INPUT) | 171 |
| 9490220056 | PIN, ELASTIC | 171, 393, 409, 717 |
| 9490220057 | BOLT, ALLEN | 173, 727 |
| 9490220066 | BEARING, NEEDLE | 7 |
| 9490220068 | PLUG, DRAIN (1/4) | 11, 13, 173, 651 |
| 9490220069 | BEARING, NEEDLE (6x20) | 7 |
| 9490220070 | PLUG, BREATHER (1/2" GAS) | 717 |
| 9490220103 | HOUSING | 11 |
| 9490220104 | SHAFT | 11 |
| 9490220105 | RING (FOR BEARING) | 11 |
| 9490220106 | PIN | 11 |
| 9490220107 | RING,EXTERNAL SNAP(50 UNI7435) | 11 |
| 9490220108 | RING,INTERNAL SNAP 120UNI 7437 | 11 |
| 9490220109 | RING,INTERNAL SNAP 130UNI 7437 | 11 |
| 9490220110 | BALL 1/4" (RB-6,35) | 11 |
| 9490220111 | PLUG, PLASTIC (M12) | 11, 651 |
| 9490220114 | SHAFT, BRAKE (RB) | 13 |
| 9490220115 | DISK, STEEL | 13, 15, 173, 179, 401, 417, 651, 653 |
| 9490220116 | PISTON, BRAKE (RB) | 13 |
| 9490220117 | DISK, BRONZE | 13, 15, 173, 179, 401, 417, 651, 653 |
| 9490220118 | PLATE, END (RA - RB) | 13 |
| 9490220119 | RING, EXTERNAL SNAP 70UNI 7435 | 13 |
| 9490220120 | RING,INTERNAL SNAP 145UNI 7437 | 13 |
| 9490220121 | RING,INTERNAL SNAP 155UNI 7437 | 13 |
| 9490220128 | PLUG (1/4 GAS-3/8 11/16 16) | 13 |
| 9490220129 | KIT, SHIM (90x130) | 13 |
| 9490220148 | GEAR, RING (M4 Z69) | 7 |
| 9490220150 | PLATE (M) | 7 |
| 9490220153 | PIN (FOR NEEDLE D.6) | 7, 393, 409 |
| 9490220159 | GEAR, RING | 7, 719 |
| 9490220165 | PIN | 7 |
| 9490220166 | WASHER | 7, 393, 409 |
| 9490220167 | WASHER | 7 |
| 9490220168 | PIN | 7 |

From - 9490220047

To - 9490220168

CLICK HERE TO **DOWNLOAD** THE COMPLETE MANUAL

- Thank you very much for reading the preview of the manual.
- You can download the complete manual from: www.heydownloads.com by clicking the link below



- Please note: If there is no response to CLICKING the link, please download this PDF first and then click on it.

CLICK HERE TO **DOWNLOAD** THE COMPLETE MANUAL