

# Manitowoc Cranes MACHINE COMPONENT INDEX

Date: Jan 02, 2018

Rev: 002

<u>Model Number</u> 999		<u>Serial Number</u> 9991368	
Item	Part	Description	Page
		<b>ROTATING STRUCTURE</b>	
1	80073535	ROT BED COMPONENTS INSTALL	1
	1772721	DRUM MIRROR	3
	1954152	GEARBOX LESS WEATHERVANE	5
	4655180	GEARBOX PLANETARY	7
	1954371	PIN PULLER ASSY, CWT	13
	3856480	CYLINDER ASSEMBLY	15
	195602G	ELECTRICAL CONTROL WIRING	19
	1766553	SENDING UNIT ASSY	21
	1956035	SWITCH ASSEMBLY, CRANE REMOTE	23
	1958741	TURNTABLE GREASING ASSEMBLY	27
	1960081	ALARM	29
	1963811	MAST ASSEMBLY--MODEL 999	33
	1957089	SHEAVE ASSEMBLY 20IN	35
	1963812	MAST PARTS ASSEMBLED	37
	3856060	CYLINDER HYD	39
	810081451	BOOM STOP ASSY	41
	1768139	SWITCH ASSY BOOM STOP	43
	1768064	BRACKET W/2-289797 BU	45
	810126341	GANTRY ASSY	47
	1766244	LINK PENDANT PENDANT	49
	1958424	LINK CWT HANDLING LH	51
	1958444	LINK CWT HANDLING RH	53
	6462450	SOCKET/WEDGE, 7/8" (22 MM)	55
	810126342	GANTRY ASSY	57
	3856490	CYLINDER 8" BORE SS FORGED ROD	59
	A114299	VALVE ASSY D05 3BNK W	61
	1954231	MANIFOLD ASSEMBLY	63
1	A009911	JOBBOX FOR PARTS STORAGE, MODE	65
1	1961201	DECAL ASSY	69
	1815030	BUILDERS DECAL	73
2	1955286	OPERATORS CAB INSTALLATION	75
	1788551	HORN ASSY	77

CLICK HERE TO **DOWNLOAD** THE COMPLETE MANUAL

- Thank you very much for reading the preview of the manual.
- You can download the complete manual from: [www.heydownloads.com](http://www.heydownloads.com) by clicking the link below



- Please note: If there is no response to CLICKING the link, please download this PDF first and then click on it.

CLICK HERE TO **DOWNLOAD** THE COMPLETE MANUAL

# Manitowoc Cranes

Description

**ROT BED COMPONENTS INSTALL**

Assembly No.

**80073535**

Revision: **H**

Item	FN	Part	Qty	Description
3	+	1772721	1	DRUM MIRROR
8	+	1954152	1	GEARBOX LESS WEATHERVANE
9	+	1954371	1	PIN PULLER ASSY, CWT
13	+	195602G	1	ELECTRICAL CONTROL WIRING
16	+	1958741	1	TURNTABLE GREASING ASSEMBLY
17	+	1960081	1	ALARM
18		81039109	1	PLATE CRANE ID - SG
19	+	1963811	1	MAST ASSEMBLY--MODEL 999
20	+	1963812	1	MAST PARTS ASSEMBLED
22	+	810081451	1	BOOM STOP ASSY
23	+	810126341	1	GANTRY ASSY
24	+	810126342	1	GANTRY ASSY
28		A114291	1	VALVE ASSY, D05 3BNK W/TUBES INCLUDES THE FOLLOWING PARTS
		A114299	1	VALVE ASSY D05 3BNK W
29	+	1954231	1	MANIFOLD ASSEMBLY

+ SEE FURTHER BREAKDOWN THIS GROUP

# Manitowoc Cranes

Description  
**GEARBOX PLANETARY**

Assembly No.  
**4655180**  
 Revision: **FA**

Item	FN	Part	Qty	Description
		9754220054	3	O-RING
		9754220053	2	O-RING
		9754220055	2	O-RING
126		4651085	1	SWING LOCK SEAL KIT INCLUDES ITEMS 16 THRU 22
127		4650976	1	KIT, BRAKE STACK AND SEAL INCLUDES ITEMS 33, 37 THRU 49

# Manitowoc Cranes

Description

**SENDING UNIT ASSY**

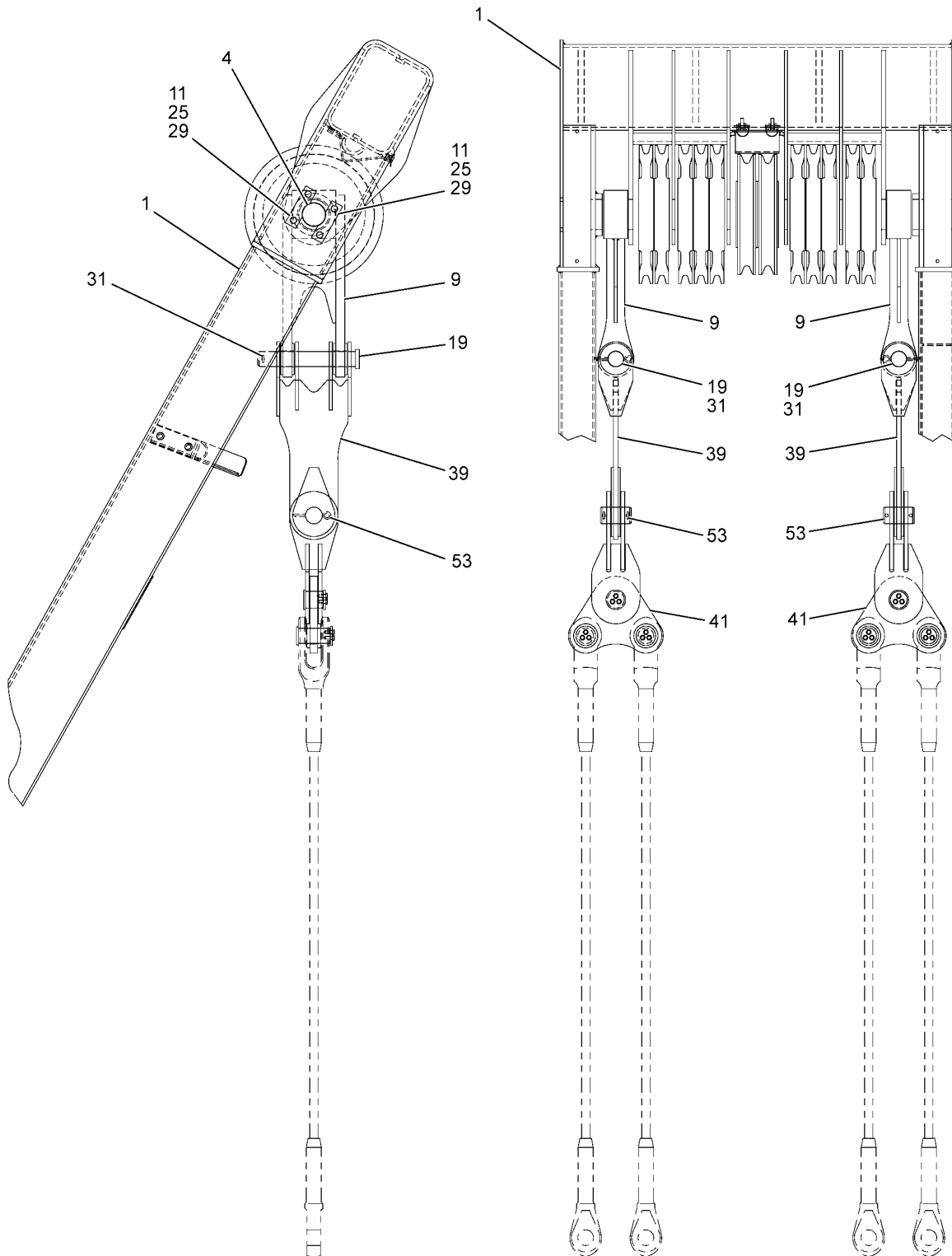
Assembly No.

**1766553**

Revision: **A**

Item	FN	Part	Qty	Description
2		810115472	1	PLATE
3		1920052	1	NAME PLATE
4		810239410	1	BOX JUNCTION
6		810138430	1	CAP, SEAL MINI-FAST/CHANGE REC
8		4567670	1	GASKET ASSEMBLY, CONDUIT
9		6163820	4	SCREW, ROUND SLOTTED
10		7104500	4	WASHER, LOCK
11		5485550	1	NUT, LOCK CONDUIT
12		810337290	1	SENSOR
13		5896350	1	RECEPTACLE, FEMALE MINI-CHANGE
15		6123530	4	SCREW, HEX HEAD
16		6208630	4	SCREW, PAN
17		7103020	4	WASHER, LOCK
18		810185870	1	PHIL RMS, 10-32 X 0.50 SS
19		7950100056	1	WASHER LOCK #10 SS B18.21.1

# Manitowoc Cranes



# Manitowoc Cranes

Description  
**BOOM STOP ASSY**

Assembly No.  
**810081451**  
 Revision: **FA**

Item	FN	Part	Qty	Description
1		1454712	1	ROD, ADJUSTING 3/4-10NC X 7
2		A194942	1	ACTUATOR
4	+	1768139	1	SWITCH ASSY BOOM STOP

+ SEE FURTHER BREAKDOWN THIS GROUP

# Manitowoc Cranes

Description

LINK CWT HANDLING LH

Assembly No.

1958424

Revision: A

Item	FN	Part	Qty	Description
2		2900370	1	BUSHING

# Manitowoc Cranes

Description

**VALVE ASSY D05 3BNK W**

Assembly No.

**A114299**

Revision:

Item	FN	Part	Qty	Description
2		3384340	1	CLAMP, CHANNEL ANCHOR
3		3455150	2	CLAMP, TUBE
4		4282250	6	FITTING, STRAIGHT ADAPTER
5		4282260	2	FITTING, 90° ADAPTER
6		4282320	2	FITTING, STRAIGHT ADAPTER
7		4282610	1	FITTING, 90° ADAPTER
8		4282660	1	PLUG, O-RING
10		4283380	2	FITTING, 90° ADAPTER
12		4295320	1	FITTING, PLUG
13		5483430	4	NUT, LOCK
14		6124040	4	SCREW, HEX CAP
15		7034820	1	VALVE, 3 WAY BALL
16		A110209	1	MANIFOLD, VALVE (3 BANK W/RELI
17		A112180	1	TUBE, PREFORMED
18		A112260	1	TUBE, PREFORMED
19		A112300	1	TUBE, PREFORMED
20		A112330	1	TUBE, PREFORMED
21		A112360	1	TUBE, PREFORMED
22		A112370	1	TUBE, PREFORMED
23		A112442	1	SUPPORT, VALVE
24		A112500	1	TUBE, PREFORMED
25		A112700	1	TUBE, PREFORMED
26		A113580	3	VALVE, DIRECTIONAL CONTROL (3
27		4282440	1	FITTING, 90° ADAPTER
28		4282470	1	FITTING, TEE ADAPTER
29		4283870	1	FITTING, 90° ADAPTER
30		A056010	1	FITTING, STRAIGHT ADAPTER

# Manitowoc Cranes

<u>Description</u> <b>DECAL ASSY</b>				<u>Assembly No.</u> <b>1961201</b> Revision: <b>FD</b>
Item	FN	Part	Qty	Description
93		<b>A114510</b>	1	DECAL, POWER ON
94		<b>810015300</b>	1	DECAL WARNING READ MANUAL
95		<b>810088610</b>	3	DECAL
100		<b>80017200</b>	1	DECAL - CRANESTAR LOGO
101		<b>80017201</b>	1	DECAL - CRANESTAR MONITORING
106		<b>7376102946</b>	1	DECAL - DANGER ULTRA LOW SULFUR (DIESEL FUEL) (ENGLISH)
107		<b>80021901</b>	1	PANEL-ULTRA LOW SULFUR DIESEL
108		<b>810181820</b>	1	DECAL-COOLANT LEVEL FULL
109		<b>A058390</b>	1	DECAL WARNING ROTATING FAN BLA
110		<b>A044122</b>	1	DECAL WARNING
111		<b>810147360</b>	1	DECAL, RADIATOR FILL INSTRUCT
112		<b>810113150</b>	1	DECAL
113		<b>1966362</b>	1	DECAL
114		<b>1966372</b>	1	DECAL
115		<b>810173860</b>	1	DECAL WARNING BURN & INHALATIO
126		<b>7376102946</b>	1	DECAL - DANGER ULTRA LOW SULFUR (DIESEL FUEL) (ENGLISH)
127		<b>80021901</b>	1	PANEL-ULTRA LOW SULFUR DIESEL
128		<b>810181820</b>	1	DECAL-COOLANT LEVEL FULL
129		<b>A058390</b>	1	DECAL WARNING ROTATING FAN BLA
130		<b>A044122</b>	1	DECAL WARNING
131		<b>810173860</b>	1	DECAL WARNING BURN & INHALATIO
132		<b>810276880</b>	1	DECAL
133		<b>81038597</b>	1	DECAL-DEF FILL INFO W/ DIAGRAM
140		<b>1815030</b>	1	BUILDERS DECAL
145		<b>81039109</b>	1	PLATE CRANE ID - SG
901	*	<b>196120EN</b>	1	KIT DECAL--MODEL 999, ENGLISH

\* REPAIR KIT AND/OR PART OF KIT

# Manitowoc Cranes

Description

**OPERATORS CAB ASSEMBLY, WITH**

Assembly No.

**195528Y**

Revision: **FD**

Item	FN	Part	Qty	Description
56	+	195528GZ	1	CAB OPERATORS ZINC RICH EPOXY

+ SEE FURTHER BREAKDOWN THIS GROUP

# ***Manitowoc Cranes***

Notes

---

# Manitowoc Cranes

Description

**ELECTRICAL CONTROL WIRING**

Assembly No.

**195602F**

Revision: **FD**

Item	FN	Part	Qty	Description
64		810190590	1	CABLE ELEC
65		810190600	1	CABLE ELEC
66		810190610	1	CABLE ELEC

# Manitowoc Cranes

Description

**COVERS FOR LEFT SIDE WINDOWS**

Assembly No.

**1794749**

Revision: **FA**

Item	FN	Part	Qty	Description
1		3785310	1	COVER
2		3785320	1	COVER
3		3785330	1	WINDSHIELD PANEL COVER
4		3785340	1	COVER SKYLIGHT WINDOW
5		3785350	1	COVER
6		3785360	1	COVER
8		5638510	24	PIN HAIR COTTER

# Manitowoc Cranes

Description

**PINPULLER ASSY, BOOM HINGE**

Assembly No.

**1762861**

Revision: **FA**

Item	FN	Part	Qty	Description
1		1763712	1	GUARD
2		1763729	2	PIN (NO HOLES) W/HD
3		1763732	2	PAD MOUNTING
7		5638710	3	PIN, SAFETY
8		6127270	4	HHCS
9		6128150	6	HHCS
10		7103080	4	WASHER, LOCK
11		7103100	6	L WASHER MEDIUM
13		3856070	1	CYLINDER

# Manitowoc Cranes

Description

**CAB REAR SUPPORT ASSEMBLY**

Assembly No.

**195531**

Revision: **A**

Item	FN	Part	Qty	Description
1		0152752	2	PLATE KEEPER
2		1398702	6	PIN, PLATED
3		1764142	1	BEAM
4		1764792	2	PIN 3-/12 X 6-3/4 PLATED
5		1955522	1	COLUMN
6		5621320	12	PIN COTTER
7		6127130	4	HHCS
8		7103080	4	WASHER, LOCK

# Manitowoc Cranes

Description

**RATCHET AND PAWL-REAR DRUM**

Assembly No.

**1956151**

Revision: **FA**

Item	FN	Part	Qty	Description
1		0701262	1	SPRING
2		0757472	1	BOLT, EYE
4		1436622	1	PIN 1 HOLE W/HD
6		1700812	6	WASHER
7		1718779	2	SHIM
9		1764819	1	PIN
10		1764829	1	PIN KEEPER
11		1765302	1	PLATE, KEEPER
12		1765312	1	PLATE, KEEPER
14	+	1955454	1	LEVER
15	+	1955474	1	PAWL
16		1957402	1	PIN 1 HOLE W/HD
18	+	3855980	1	CYLINDER, HYDRAULIC

+ SEE FURTHER BREAKDOWN THIS GROUP

# Manitowoc Cranes

Description

**LEVER**

Assembly No.

**1957674**

Revision: **FA**

Item	FN	Part	Qty	Description
2		2898270	2	BUSHING
3		2898290	1	BUSHING

# Manitowoc Cranes

Description  
**ENCLOSURE**

Assembly No.  
**810094013**  
Revision: **C**

Item	FN	Part	Qty	Description
1		1772462	1	PLATFORM
2		1772472	2	SUPPORT
3		1961482	1	LADDER
4		1962282	3	CLIP
5		4705260	4	BOLT, SEAT GRATING
6		5460540	6	NUT, HEX
7		5471030	8	NUT, HEX
8		5483420	15	NUT, LOCK
9		6124560	6	SCREW, HEX CAP
10		6124580	15	SCREW, HEX CAP
11		6124660	4	HHCS
12		6125550	12	SCREW, HEX CAP
13		6125570	8	SCREW, HEX CAP
14		7094400	37	WASHER, FLAT
15		7094600	24	WASHER, FLAT SHIM
16		7103040	10	WASHER, LOCK
17		7103060	20	WASHER, LOCK
18		810083100	6	SLOT PMS
19	+	810144811	1	ENCLOSURE
20		A116648	1	ENCLOSURE ASSY
21		A003422	1	BRACKET
22		A121822	2	LINK
23		810203400	1	STRIP RUBBER
24		810203410	1	STRIP RUBBER
25		810203420	1	STRIP RUBBER
26		810203430	1	STRIP RUBBER
27		810230990	1	ENCLOSURE

+ SEE FURTHER BREAKDOWN THIS GROUP

# ***Manitowoc Cranes***

Notes

---

# Manitowoc Cranes

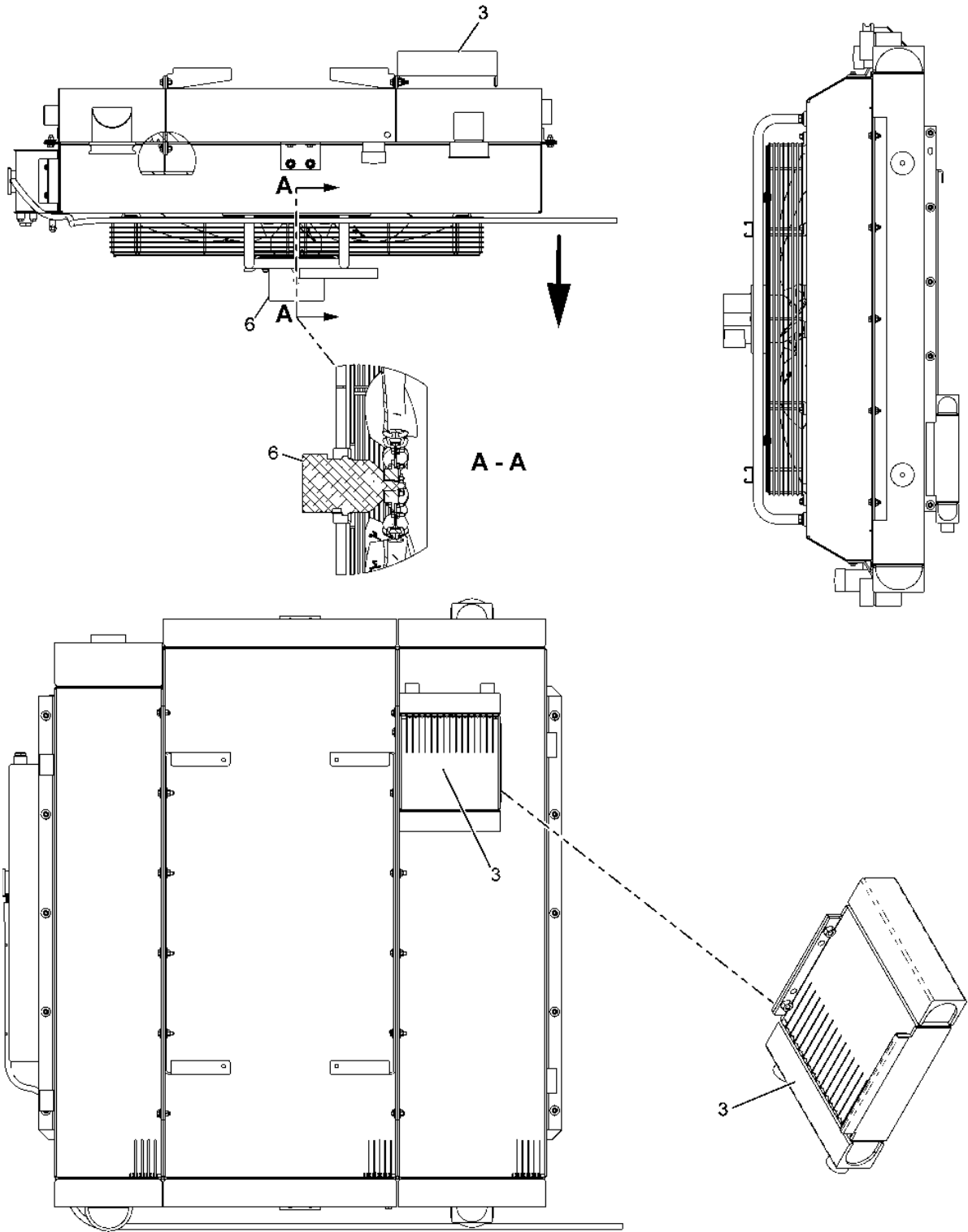
Description  
**EXHAUST ASSY**

Assembly No.  
**810297361**  
Revision: **F**

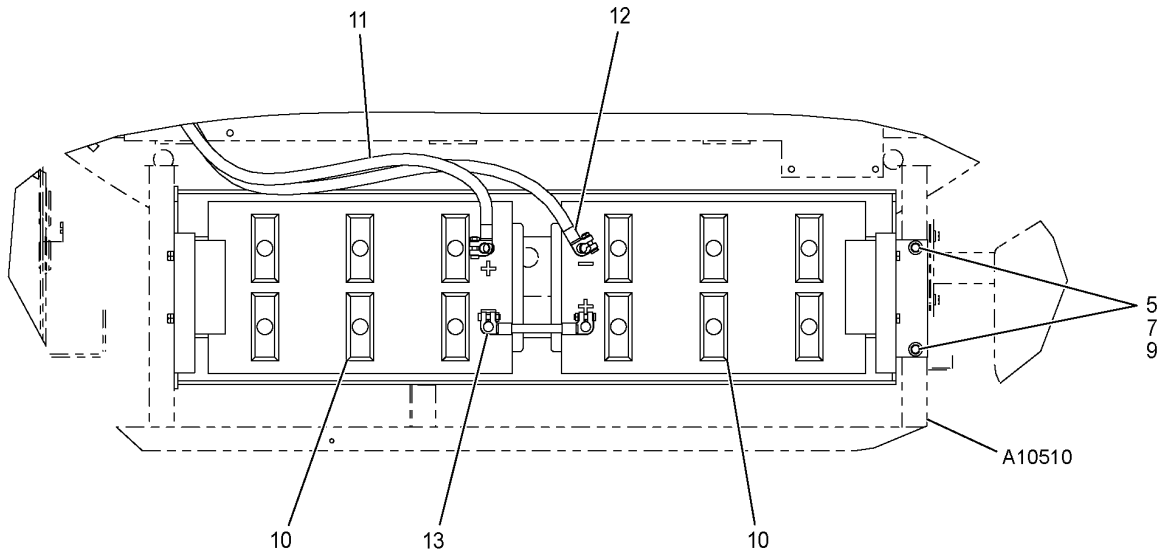
Item	FN	Part	Qty	Description
1		6124520	10	SCREW, HEX CAP
2		7094400	10	WASHER, FLAT
9		810132150	1	CLAMP
12		810223090	34	SQ NUT
17		810297432	1	TUBE PREFORMED
18		810297442	1	BRACKET
19		810297452	1	BRACKET
20		810297462	4	BRACKET
21		810297472	1	BRACKET
22		810297482	1	BRACKET
23		810297492	1	BRACKET
24		810297502	1	TUBE PREFORMED
25		810329502	1	PANEL ENCL
26		810329512	1	PANEL ENCL
27		810329522	2	BRACKET
28		810329532	1	PANEL ENCL
29		810329542	1	PANEL ENCL
30		810329552	1	PANEL ENCL
31		810329562	1	PANEL ENCL
32		810329582	1	BRACKET
33		7127191353	11	CAP SCREW, M10 X 30
35		7127191553	2	HHCS FULL THREAD
36		7661190804	13	HEX LOCK NUT PA, 10 10 ISO 70
37		7951190014	26	FLAT WASHER, 10MM I.D.
39		81040466	34	HHCS
-	*	810297290	1	ENGINE 380HP CUMMINS QSL9 T4F ITEMS 80016509, 80020080, 80020081, 80020082, 810117600, 81020361, 81020363, 81022526, 81022527, 81029741, 81029742, AND 80025501 COME WITH ENGINE KIT 810297290

\* REPAIR KIT AND/OR PART OF KIT

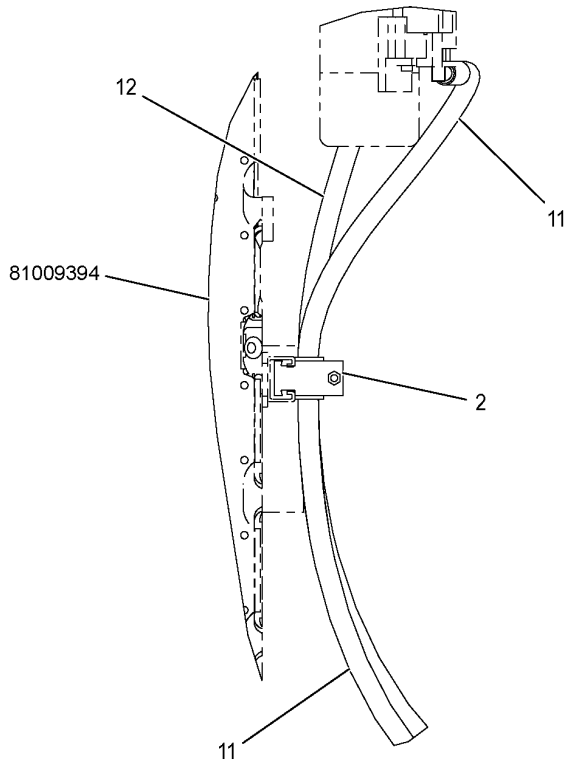
# Manitowoc Cranes



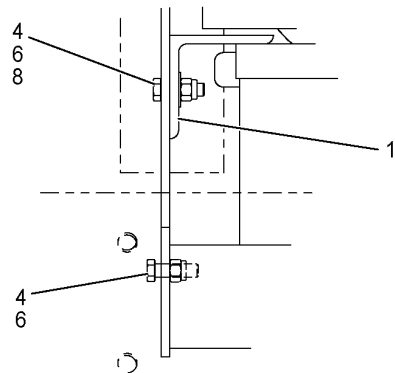
# Manitowoc Cranes



**B - B**



**C - C**



**D**

# Manitowoc Cranes

Description

**MANIFOLD ASSY**

Assembly No.

**810219310**

Revision: **F**

Item	FN	Part	Qty	Description
1		5717240	2	PLUG PIPE
2		810219322	1	BLOCK COOLANT JUNCTION MANIFOL
3		7926000557	2	VALVE, DRAIN
4		A022300	2	FITTING ADAPTER SPECIAL
5		A178450	4	FITTING ADAPTER SPECIAL

# Manitowoc Cranes

Description

**ELEC PWR PLNT ASY 12/24VDC T4F**

Assembly No.

**81031421**

Revision: **G**

Item	FN	Part	Qty	Description
1		3342080	0	CHAIN PER FOOT
2		3455110	1	CLAMP TUBE, 0.75 DIA#100075-4
3		5503230	1	RING
4		6123500	1	HHCS, 1/4-20UNC X 0.38 GR 5
6		7104600	1	L WASHER
7		810064480	1	CABLE ELEC
9		810153250	1	RETAINER
10		810178838	1	CONTROLLER
11		810218960	1	RELAY
12		810259390	2	TERMINAL
13		810259400	1	TERMINAL
14		810314220	1	WIRING HARNESS
15		810314230	1	WIRING HARNESS
16		81033341	1	JUNCTION BOX
17		810337480	1	WIRING HARNESS
18		81034523	2	FUSE
19		81034524	1	FUSE
20		81034525	1	FUSE
21		81034527	1	FUSE
22		81034529	1	FUSE
23		81034970	1	BRACKET
24		81034971	1	BRACKET
25		81034972	1	DECAL
26		81034973	1	DECAL
27		7126151056	4	HSERFLGS
28		7126151150	2	CAP SCREW, M6X20 HEX HEAD
29		7126151153	1	CAP SCREW, M6X20 HEX HEAD
30		7126151156	6	SCREW, HEX HEAD SERRATED FLANG
31		7126170753	4	CAP SCREW, M8X10 HEX HEAD -8.8
32		7126171153	3	CAP SCREW, M8 X 20MM HEX HEAD
33		7128111054	2	SCR SKT HD M4-0.7X16 12.9 PLN
34		7127151154	4	SHCS
35		7661110003	2	NUT, HEX 4 MM N.C.

# Manitowoc Cranes

Description

**TANK FUEL ASSY 165 GA**

Assembly No.

**A104282**

Revision: **R**

Item	FN	Part	Qty	Description
1		1676572	4	COVER
2		1676582	4	GASKET
3		1770022	1	COVER
4		1770032	1	COVER, GASKET
5		1962212	1	PLATE
6		3042240	6	CAP, PIPE
8		3550090	1	COCK STEAM
11		4069280	1	PIPE, 90° ELBOW STREET
14		7447162028	2	ADAPTER, STRAIGHT
15		5434060	1	PIPE, NIPPLE
16		5460540	2	NUT, HEX
17		5661470	1	PIPE, NIPPLE TOE
18		6124020	12	SCREW, HEX CAP
19		6124560	2	SCREW, HEX CAP
21		810094190	6	WASHER, FLAT
22		7103040	34	WASHER, LOCK
23		810312572	1	SENDER, FUEL LEVEL
24	+	A031269	1	FUEL TANK CAP
25		A103612	1	FUEL TANK, 159 GAL
27		6185430	10	SCREW, MACHINE ROUND SLOTTED
28		6124520	32	SCREW, HEX CAP
29		7103010	10	WASHER, LOCK
30		810177672	1	PLATE, MOUNTING CONTROLLER ENG
31		7126151156	4	SCREW, HEX HEAD SERRATED FLANG
32		A183320	4	WASHER, LOCK COUNTERSUNK

+ SEE FURTHER BREAKDOWN THIS GROUP

# Manitowoc Cranes

Description

**COUNTERWEIGHT ASSEMBLY**

Assembly No.

**1956881**

Revision: **FA**

Item	FN	Part	Qty	Description
2		1766342	4	PIN REF ITEM 901
3		1766352	2	LINK CWT HANDLING LOWER
5		1767642	4	PIN 2 HOLE REF ITEM 902
8		1957242	1	TRAY
9		1957256	1	COUNTERWEIGHT
12		6199650	4	SQSS FULL DOG
13		5467680	4	HEX JAM NUT
901		5621510	8	PIN, COTTER
902		5621520	8	PIN COTTER

# Manitowoc Cranes

Description

**PIPING HYD ASSY. AUX DRUM**

Assembly No.

**810193071**

Revision: **E**

Item	FN	Part	Qty	Description
70		<b>7555102200</b>	1	HOSE ASSY, USE AS REQUIRED 1/4" I.D. X 22"
71		<b>4284480</b>	1	FITTING ADAPTER 90 DEG
72		<b>7554319200</b>	1	HOSE ASSY, USE AS REQUIRED 1/2" I.D. X 192"
901		<b>4272830</b>	1	HYD FILTER ELEMENT

# Manitowoc Cranes

Description  
**WIRE ROPE**

Assembly No.  
**1963816**  
Revision: **FA**

Item	FN	Part	Qty	Description
85		7193880	1060	WIRE ROPE 7/8 CONSTRUCTEX

# Manitowoc Cranes

Description

**HYDRAULIC MOTOR KIT, WITH NON**

Assembly No.

**4953485**

Revision: **A**

Item	FN	Part	Qty	Description
1		4953480	1	KIT, MOTOR ASSEMBLY W/FITTING

# Manitowoc Cranes

Description

**LADDER**

Assembly No.

**1779691**

Revision: **FA**

Item	FN	Part	Qty	Description
1		1779709	4	BRACKET MOUNTING
3		1779722	8	U-BOLT
4		1789459	4	BRACKET
7		5020120	2	LADDER
8		5034480	4	LATCH
10		5483410	16	HEX LOCK NUT, 1/4 -20UNC GR C
11		6177860	16	SCREW, ROUND MACH SLOTTED
13		6052270	1	RUBBER
14		7103010	16	WASHER, LOCK

# Manitowoc Cranes

Description

**INSTALLATION--FRONT DRUM**

Assembly No.

**A188535**

Revision: **FB**

Item	FN	Part	Qty	Description
1		1644792	2	KEEPER PLATE
10		1956789	1	PIN KEEPER
11		1956799	1	PIN
12		1956809	1	PIN 1 HOLE W/HD
13		1956819	1	PIN
38		1961772	1	ADAPTOR
39		1761772	1	GUARD
40		3779430	1	FLEX COUPLING
41		4114620	1	ENCODER INCREMENTAL
47		1927242	1	WEDGE ANCHOR 1.00 DIA ROPE

# Manitowoc Cranes

Description

**INSTALLATION--REAR DRUM**

Assembly No.

**A188536**

Revision: **FB**

Item	FN	Part	Qty	Description
1		1644792	2	KEEPER PLATE
10		1956789	1	PIN KEEPER
11		1956799	1	PIN
12		1956809	1	PIN 1 HOLE W/HD
13		1956819	1	PIN
38		1961772	1	ADAPTOR
39		1761772	1	GUARD
40		3779430	1	FLEX COUPLING
41		4114620	1	ENCODER INCREMENTAL
47		1927242	1	WEDGE ANCHOR 1.00 DIA ROPE

# Manitowoc Cranes

Description

**CONSOLE CONTROL ASSY**

Assembly No.

**81011975Z**

Revision: **FD**

Item	FN	Part	Qty	Description
1		1765662	1	PLATE SEAT
2		1798022	1	SUPPORT CONTROLLER/FUSE BOX
3		6184180	6	SCREW, TRUSS MACH PHILLIPS
4		1950769	1	GASKET
5	+	1955251	1	RIGHT SIDE CONTROL CONSOLE
6	+	1955261	1	LEFT SIDE CONTROL CONSOLE
7		A196402	1	SUPPORT
8		6150160	4	SCREW, SOCKET CAP
9		7103010	10	WASHER, LOCK
10		2684360	1	BOX JUNCTION
11		80009833	1	TELEMATIC CONTROL UNIT (TCU)
12		3503330	1	CLOSURE PLUG DOME
13		810196980	1	CONTROLLER
14		80021739	1	GPS/GSM ANTENNA HIRSCHMANN
15		5390560	1	LABEL PRINTABLE
16		5460530	4	NUT, HEX
17		810102192	1	BRACKET
18		6229250	2	SEAL
19		6230670	1	SEAT HEIGHT ADJUSTABLE
20		6926560	2	TRIM
21		810103032	1	BRACKET
22		7103030	4	WASHER, LOCK
23		5468370	4	NUT, HEX HEAVY
24		810076882	1	CLAMP CABLE
25	+	810163431	1	CONSOLE CONTROL ASSY
26		810157602	1	BRACKET TCU MOUNTING
27		810047500	1	METER ENGINE HOUR

+ SEE FURTHER BREAKDOWN THIS GROUP

# Manitowoc Cranes

Description

**LEFT SIDE CONTROL CONSOLE**

Assembly No.

**1955261**

Revision: **FA**

Item	FN	Part	Qty	Description
1		1764273	1	CONSOLE
2		1764372	1	CONSOLE MOLDED PLASTIC LH
4		3503410	1	CLOSURE
7		810196960	15	F WASHER
8		6184030	15	PHIL TMS
9		6184170	10	SCREW, TRUSS MACH PHILLIPS
10		810034210	4	PHIL TMS
11		810196970	4	F WASHER
14	+	6727640	1	CONTROL HANDLE
16		A150190	1	NAMEPLATE
18		A116530	1	NAMEPLATE
20	+	6726680	1	SWITCH WITH CRUISE CONTROL
21	+	6726690	1	SWITCH
23		810034210	4	PHIL TMS
24		810196970	4	F WASHER
28	+	6726690	1	SWITCH
30		810034210	2	PHIL TMS
31		810196970	2	F WASHER
33		A157850	1	NAMEPLATE
36		1765022	1	COVER BLANK PLATE
39		A116520	1	NAMEPLATE STANDARD

+ SEE FURTHER BREAKDOWN THIS GROUP

# Manitowoc Cranes

Description

**CONSOLE CONTROL ASSY**

Assembly No.

**810163431**

Revision: **FD**

Item	FN	Part	Qty	Description
1		1794392	1	WINDOW DISPLAY READOUT
2		84032404	1	CONSOLE FRONT RCL MOLDED
3		1794612	1	BRACKET
6		2016000	1	ALARM
8		3503410	1	CLOSURE
9		5460500	4	NUT, HEX
10		6184170	4	SCREW, TRUSS MACH PHILLIPS
11		810138440	1	CAP SEAL
13		A003270	1	DISPLAY TRANSFLECTIVE LCD 4x40
15		84033339	1	WIRING HARNESS CRANESTAR FR CS
16		5008450	1	KNOB CONTROL
18		5027320	1	LAMP INDICATOR
19		5027330	1	LAMP INDICATOR
22		5898700	1	RECEPTACLE
24		A116590	1	NAMEPLATE
25		6184030	8	PHIL TMS
26		6184190	5	SCREW, TRUSS MACH PHILLIPS
27		810196950	4	F WASHER
28		810196960	4	F WASHER
29		6727660	2	SWITCH ROCKER
31		6727500	1	BASE, SWITCH MOUNTING
32		6727520	1	BLOCK, SWITCH CONTACT (1-N.C.)
33		6727590	1	SWITCH KEY 2 POS MAINTAINED
35		6780080	1	TAPE
36		6808690	4	TERMINAL MALE
37		6808660	4	TERMINAL FEMALE #190-16-0005
38		7092030	4	F WASHER
39		7103190	4	WASHER, LOCK MEDIUM

# Manitowoc Cranes

Description

**CONSOLE FRONT, PUMP DISCONNECT**

Assembly No.

**80084585**

Revision: **A**

Item	FN	Part	Qty	Description
70		<b>6726290</b>	1	SWITCH, ROCKER
71		<b>5052140</b>	1	LENS-HYD. PUMP

# ***Manitowoc Cranes***

Notes

---

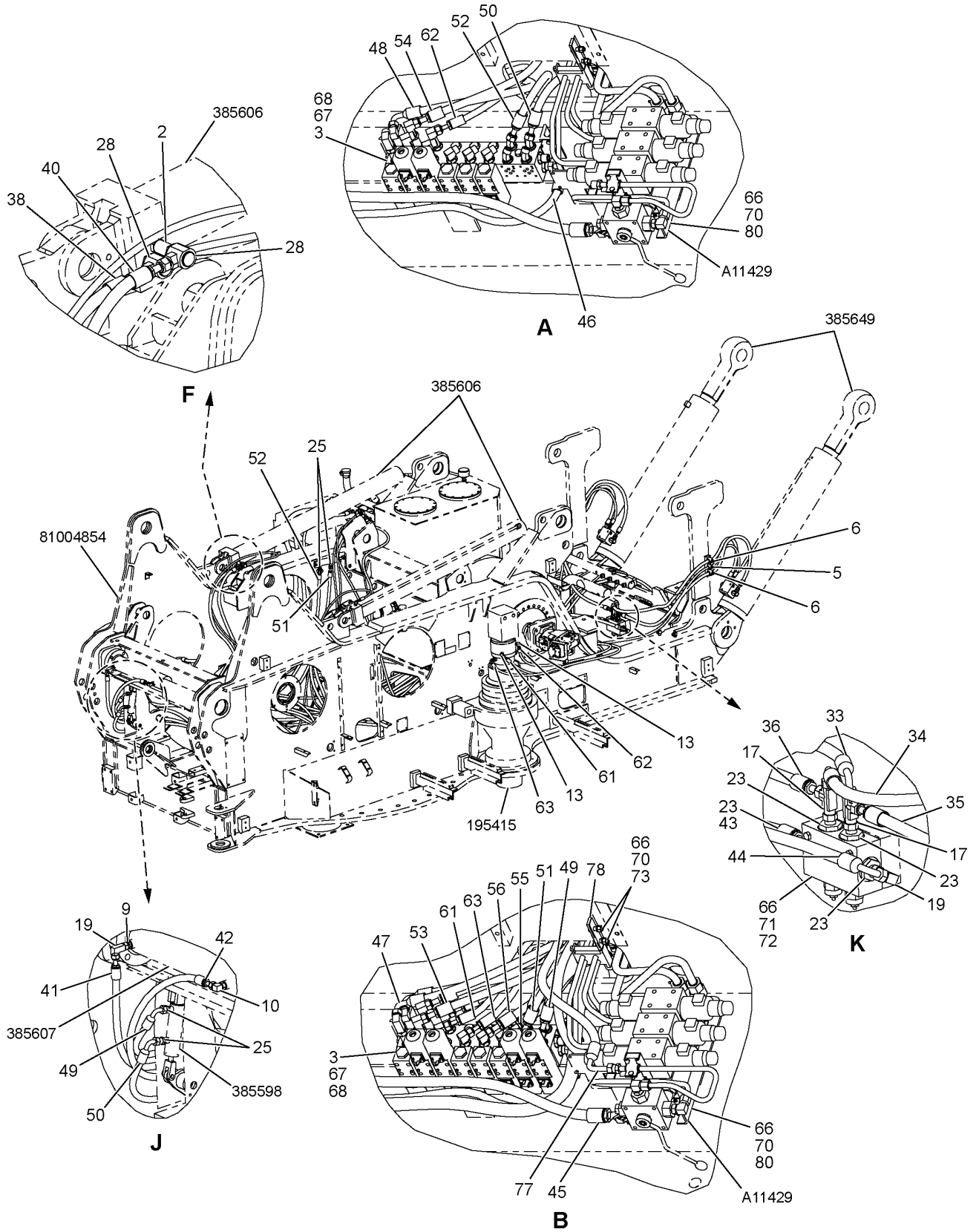
# Manitowoc Cranes

Description  
**GREASE PUMP**

Assembly No.  
**1958745**  
Revision: **FA**

Item	FN	Part	Qty	Description
45		1963372	1	BRACKET
46		A121370	1	GREASE PUMP

# Manitowoc Cranes



810193061

(SHEET 2 OF 3)

# Manitowoc Cranes

Description

**VALVE, DOUBLE COUNTERBALANCE**

Assembly No.

**7041130**

Revision: **FA**

Item	FN	Part	Qty	Description
1		7041136	2	CARTRIDGE
2		9926107803	2	KIT, SEAL

# Manitowoc Cranes

Description

**PIPING HYD. ASSY ROTATING BED**

Assembly No.

**810140311**

Revision: **B**

Item	FN	Part	Qty	Description
1		1687172	3	PLUG, ORIFICE
2		1774882	3	FITTING
3		1934422	1	MANIFOLD
4		1957302	2	PLATE, ZINC
5		1959952	1	TUBE
6		1959979	1	BRACKET WELDMENT
7		1959989	1	BRACKET WELDMENT
8		3456770	12	CLAMP TUBE
9		3456850	1	CLAMP TUBE
10		3457040	2	CLAMP HOSE T-BOLT
11		3457050	2	CLAMP HOSE T-BOLT
12		3759540	3	Q DISCON FITTING
13		3759550	3	Q DISCON FITTING
14		4280050	4	TEE
15		4282250	1	FITTING, STRAIGHT ADAPTER
16		4282260	2	FITTING, 90° ADAPTER
17		4282310	6	FITTING
18		4282320	1	FITTING, STRAIGHT ADAPTER
19		4282330	2	FITTING ADAPTER STRAIGHT
20		4282360	1	FITTING ADAPTER 90 DEG
21		4282580	1	FITTING ADAPTER TEE
22		4282600	1	FITTING ADAPTER 90 DEG
23		4282650	1	FITTING ADAPTER TEE
24		4283170	1	FITTING
25		4283380	2	FITTING, 90° ADAPTER
26		4283400	1	FITTING
27		4283550	2	FITTING
28		4283890	1	FITTING ADAPTER STRAIGHT
29		4284480	1	FITTING ADAPTER 90 DEG
30		4284500	5	FITTING ADAPTER STRAIGHT
31		4284510	1	FITTING
32		4295320	5	FITTING, PLUG
33		4297200	4	FITTING
34		4297210	1	FITTING, PLUG

# ***Manitowoc Cranes***

Notes

---

# Manitowoc Cranes

Description

**ELEC. CONTROL WIRING ASSEMBLY**

Assembly No.

**195602K**

Revision: **FE**

Item	FN	Part	Qty	Description
130		810336120	1	WIRING HARNESS

# Manitowoc Cranes

Description

**AIR COND & HEAT ASSY STD OPT**

Assembly No.

**810329592**

Revision: **FC**

Item	FN	Part	Qty	Description
100	+	<b>2014080</b>	1	AIR CONDITIONER KIT
101		<b>810147930</b>	1	KIT, AIR COND. HOSES
102	+	<b>810167690</b>	1	AIR COND & HEATER UNIT OUTSIDE
103		<b>810172930</b>	1	CABLE ELEC

+ SEE FURTHER BREAKDOWN THIS GROUP

# Manitowoc Cranes

Description

**ELECTRIC POWER PLANT ASSY**

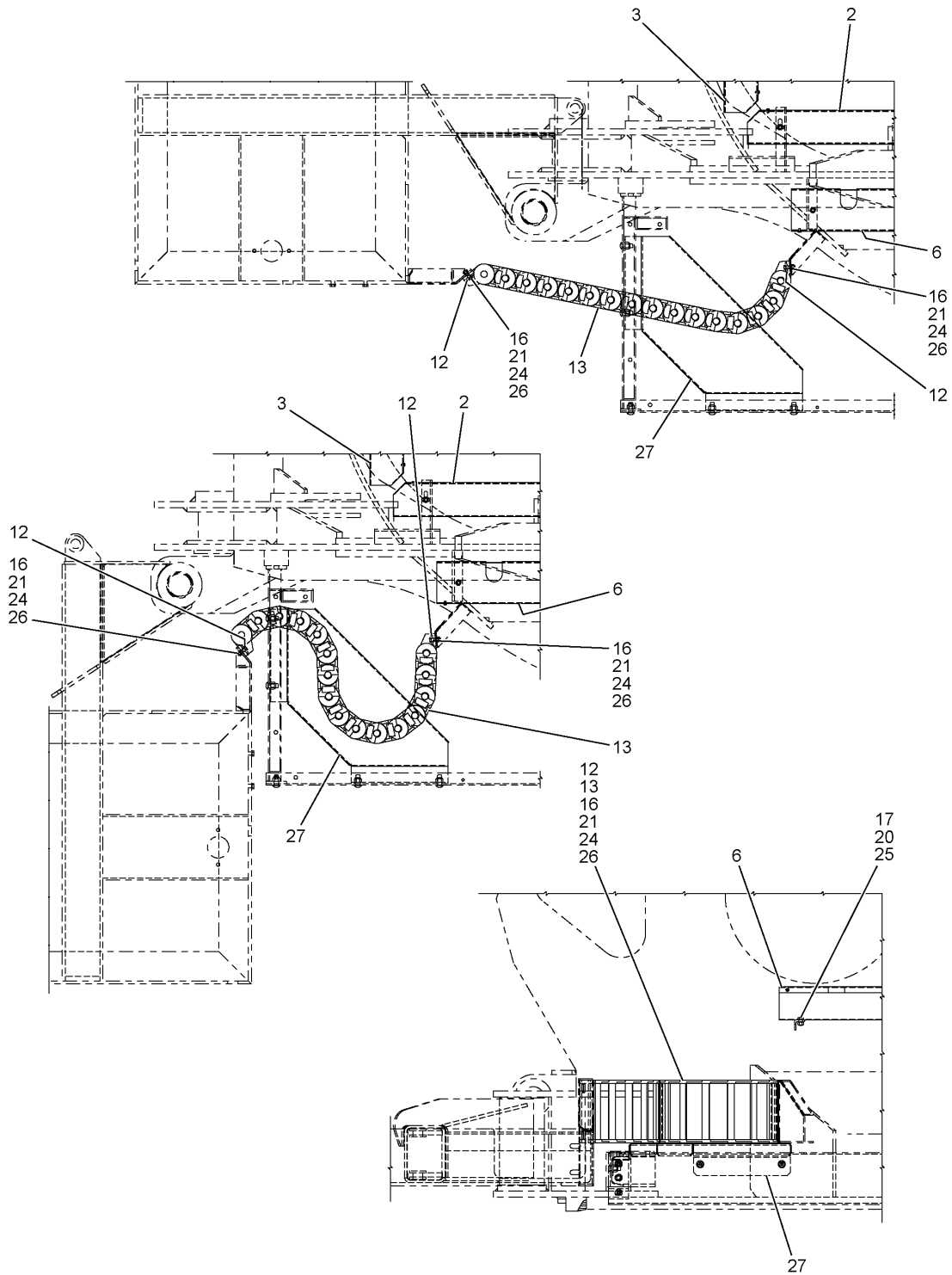
Assembly No.

**810093952**

Revision: **FA**

Item	FN	Part	Qty	Description
46		810179930	1	CABLE ELEC

# Manitowoc Cranes



# Manitowoc Cranes

Description

**#40246 48-INCH CRAWLER TREADS**

Assembly No.

**810058672**

Revision: **L**

Item	FN	Part	Qty	Description
1		0119782	240	TREAD PIN
2		0402468	120	TREAD USE PIN DWG. 11978

# Manitowoc Cranes

Description

**CRAWLER ASSY, QTY. FOR 2 CRAWL**

Assembly No.

**810058679**

Revision: **M**

Item	FN	Part	Qty	Description
4		1370872	4	WASHER
5		1703819	2	SHAFT
6		1703889	4	BOLT FRONT IDLER
7		1704694	2	ROLLER
10		1760819	56	WASHER
11		1760822	28	KEEPER
14		1960749	2	STEP
15		1960752	2	STEP
16		1965944	28	ROLLER INTERMED CRAWL INCLUDES THE FOLLOWING PARTS
		1761112	2	BUSHING
		6201400	2	DOWEL, SCREW
17		1965952	28	SHAFT ROLLER
19		4290100	32	FITTING
21		5716210	28	PLUG PIPE
22		5717040	4	PLUG, PIPE
24		6223830	4	OIL SEAL
25		6229130	56	OIL SEAL
26		6926560	1	TRIM
30		810039532	2	CRAWLER MACHINING
33		810197372	2	BRACKET WELDMENT
34		6124540	8	SCREW, HEX CAP
35		7094400	8	WASHER, FLAT
36		7103040	8	WASHER, LOCK
37		810197362	4	BRACKET WELDMENT
38		6127190	24	HHCS
39		7103080	24	WASHER, LOCK
40		6128210	56	HHCS
41		7103100	56	L WASHER MEDIUM

# Manitowoc Cranes

Description

**CRAWLER DRIVE, QTY FOR 2 DRIVE**

Assembly No.

**810059247**

Revision: **H**

Item	FN	Part	Qty	Description
1		1681529	8	STUD
2		1760262	2	PLATE
3		1760272	2	SLEEVE
4		1760282	4	CARRIER
5		1760292	2	SPACER
6		1760349	2	TUMBLER
7		1782142	2	GUARD
8		1782152	2	COVER
10		1796452	2	GUARD
11		1951442	2	GUARD REF ITEM 901
12		1954172	2	GUARD
13		2245230	4	TAPERED ROLLER BRG
14		2450840	4	BOLT SHOULDER
16		4284550	4	FITTING ADAPTER STRAIGHT
17		4986390	2	KEY
18		810112860	0	INSERT THREADED
20		5460560	4	NUT, HEX
21		5483460	8	HEX LOCK NUT PA
22		5638030	2	PIN WIRE LOCK
23		6124020	8	SCREW, HEX CAP
24		6125550	4	SCREW, HEX CAP
25		6144300	72	HHCS
27		6149430	40	SHCS
28		6149830	24	SHCS
29		6184800	16	HHCS
30		6227890	4	OIL SEAL
31	+	6253390	2	SHAFT DRIVE ASSEMBLY
32		6361719	2	SHIM PACK
33		6707340	2	U-BOLT BEARING STRAP KIT
34		6926560	1	TRIM
35		7094600	8	WASHER, FLAT SHIM
36		7101810	72	F WASHER
37		7103030	20	WASHER, LOCK

+ SEE FURTHER BREAKDOWN THIS GROUP

CLICK HERE TO **DOWNLOAD** THE COMPLETE MANUAL

- Thank you very much for reading the preview of the manual.
- You can download the complete manual from: [www.heydownloads.com](http://www.heydownloads.com) by clicking the link below



- Please note: If there is no response to CLICKING the link, please download this PDF first and then click on it.

CLICK HERE TO **DOWNLOAD** THE COMPLETE MANUAL

# Manitowoc Cranes

Description  
**GEARBOX**

Assembly No.  
**810073500**  
Revision: **B**

Item	FN	Part	Qty	Description
324		9490220499	12	BOLT, SOC HD (M14X40)
351		9490220056	6	PIN, ELASTIC
352		9490220070	1	PLUG, BREATHER (1/2" GAS)
353		9490220373	1	PLUG, MAGNETIC
354		9490220193	2	BOLT (M14x140 UNI 5931-8G)
360		9576220109	1	KIT, SEAL INCLUDES ITEMS 103 THRU 105, 203 AND 204, 310 THRU 312

# Manitowoc Cranes

Description

**CYLINDER AND HAND PUMP**

Assembly No.

**810058674**

Revision: **L**

Item	FN	Part	Qty	Description
18	+	3856530	1	JACK CYLINDER
20		4859570	1	HOSE
32	+	A041430	1	PUMP

+ SEE FURTHER BREAKDOWN THIS GROUP

# Manitowoc Cranes

Description

**LIFTING LEVER, QTY FOR 2 LEVER**

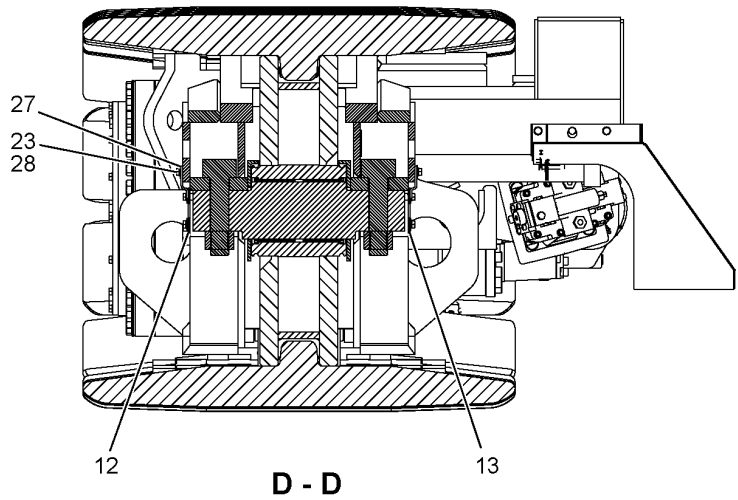
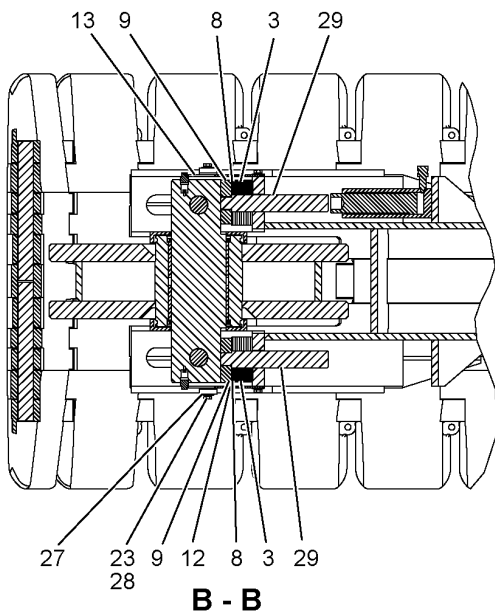
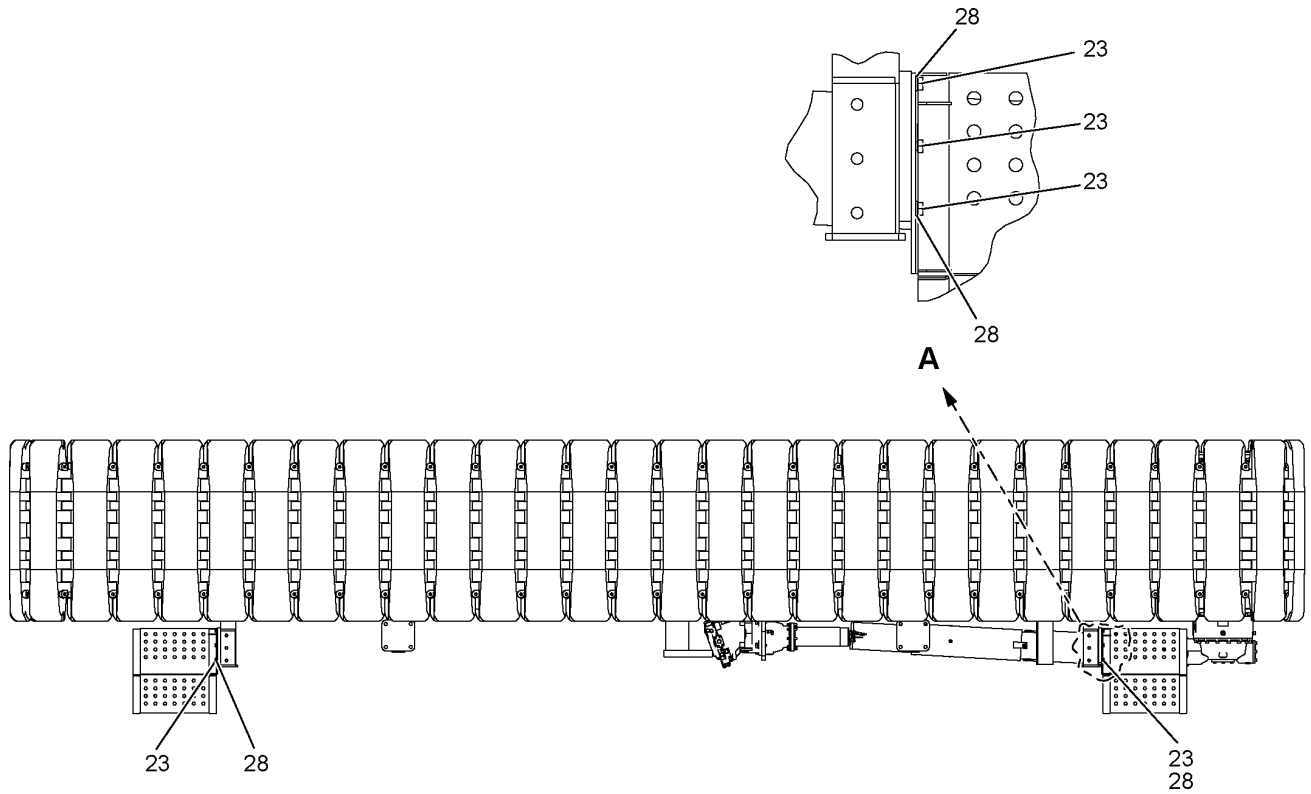
Assembly No.

**810058675**

Revision: **L**

Item	FN	Part	Qty	Description
101		1410162	4	PIN
103		1762109	4	LEVER
104		5621710	8	PIN COTTER

# Manitowoc Cranes



# Manitowoc Cranes

Description

**CARBODY COUNTERWEIGHT BOX S/3**

Assembly No.

**81032584**

Revision: **A**

Item	FN	Part	Qty	Description
1		1738342	3	PIN
2		1957562	1	COUNTERWEIGHT

# ***Manitowoc Cranes***

Notes

---

# Manitowoc Cranes

Description

**#82 BOOM BUTT**

Assembly No.

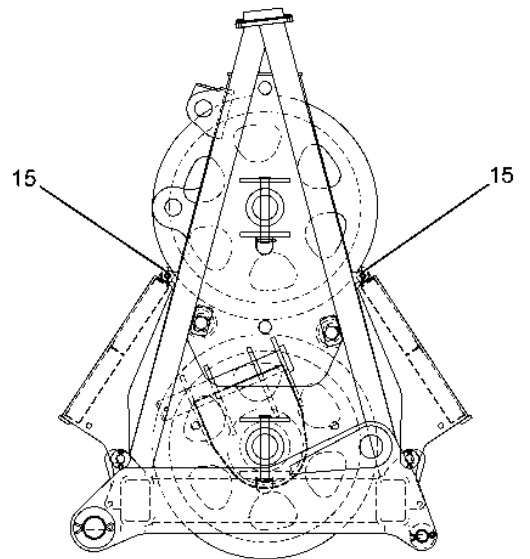
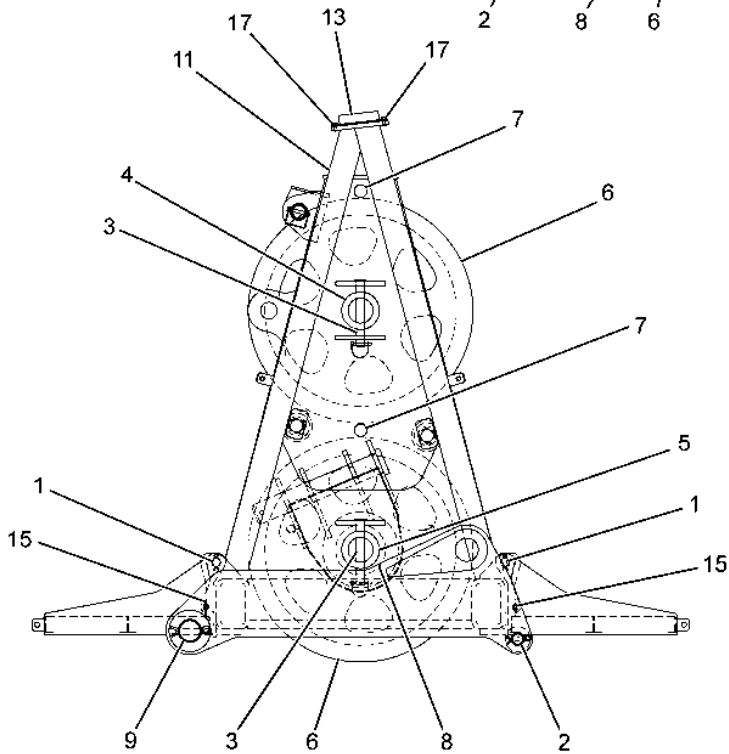
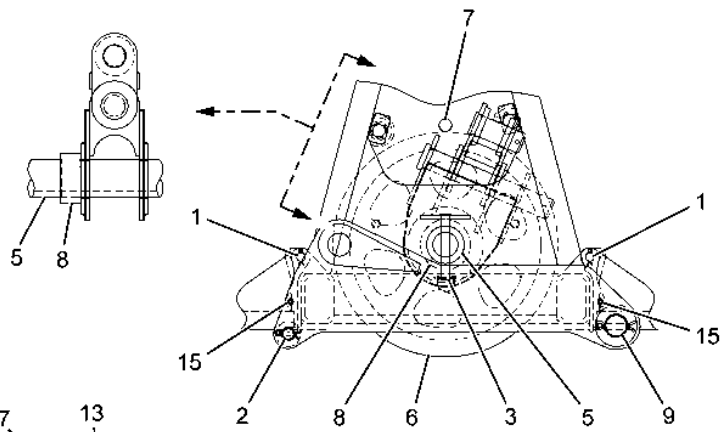
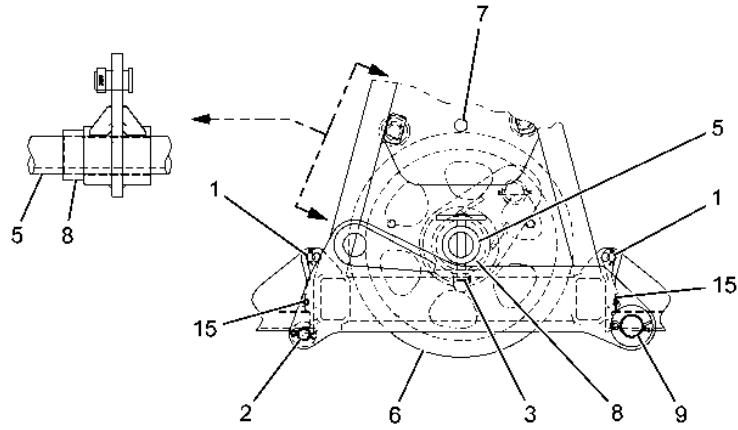
**81032571**

Revision: **C**

Item	FN	Part	Qty	Description
1	+	1687792	1	BOOM INDICATOR ASSY
2	+	1954671	1	PHYSICAL BOOM STOPS
3	+	1955491	1	ESI, BOOM LIMIT
4	+	1956025	0	ESI ROTATING BED
5	+	1963831	1	WIRE ROPE GUIDE ASSEMBLY
6	+	1963834	1	PLATFORM-HANDLING LINKS
7	+	1963981	1	#82 BOOM BUTT ASSEMBLY
8		810215355	1	BUTT WELDMENT
				INCLUDES THE FOLLOWING PARTS
	+	O-569	1	#82 BOOM LACINGS SERVICE GROUP
9	+	A114641	0	PIPING HYDR ASSY
10	+	810172122	1	CAT WALK
11	+	1794911	0	AUX DRUM
12	+	1794912	0	DRUM ASSEMBLY-AUXILIA
13	+	1794913	0	DRUM ASSEMBLY-AUXILIA
14	+	1794914	0	DRUM ASSEMBLY-AUXILIA
16	+	1796471	0	HYD VALVE INSTALL
17	+	1959461	0	BOOM BUTT SUPPORT ASSEMBLY
18	+	1959462	0	PINS
23	+	1779691	1	LADDER

+ SEE FURTHER BREAKDOWN THIS GROUP

# Manitowoc Cranes



# Manitowoc Cranes

Description

**#82 BOOM BUTT ASSEMBLY**

Assembly No.

**1963981**

Revision: **FB**

Item	FN	Part	Qty	Description
2		810171790	1	TIMBER
6		3456780	6	CLAMP
9		810179452	1	BRACKET
10		1799592	8	PIN 2 HOLE
11		1798622	8	COLLAR
12		1798632	6	PIN 1 HOLE W/HD
14		1960662	2	PIN
15		1960672	2	COLLAR
16		1960682	2	PIN 2 HOLE
17		1960692	2	PIN 1 HOLE W/HD
18		1963842	4	LINK
19		1963852	2	STRAP
20		1963862	2	STRAP
21		1963872	4	LINK
22		1963882	4	LINK
23		1963892	1	SUPPORT
24		1963902	1	SUPPORT
25		1963922	6	PIN
26		1963992	4	PIN
27		1965052	4	LINK
28		1965802	1	PLATFORM
29		5460560	6	NUT, HEX
30		7094600	12	WASHER, FLAT SHIM
31		5483460	2	HEX LOCK NUT PA
32		5638230	8	PIN SAFETY
33		6125570	14	SCREW, HEX CAP
34		6127410	2	HHCS
35		7097020	8	WASHER, FLAT SHIM
36		7103060	18	WASHER, LOCK
38		7126192650	2	CAP SCREW, M10 X 100MM HEX HEAD
39		7661190803	2	NUT M10-1.5P
40		7951190014	4	FLAT WASHER, 10MM I.D.

# Manitowoc Cranes

Description

**COUPLER ASSEMBLY**

Assembly No.

**3759409**

Revision: **FA**

Item	FN	Part	Qty	Description
1		9364220068	2	RING, RETAINING
2		90024489	1	SPRING, SLIDING SLEEVE
3		3759405	1	O-RING
4		9364220079	1	SPRING, SLEEVE
5		90016408	1	KIT, SEAL
6		90016409	1	KIT, REPAIR

# Manitowoc Cranes

Description  
**AUX DRUM**

Assembly No.  
**1794911**  
Revision: **FC**

Item	FN	Part	Qty	Description
1	+	179491A	1	DRUM ASSEMBLY-AUXILIA

+ SEE FURTHER BREAKDOWN THIS GROUP

# Manitowoc Cranes

Description

**GEAR BOX ASSY. W/O BRAKE ASSY**

Assembly No.

**4650950**

Revision: **FA**

Item	FN	Part	Qty	Description
1		9490220720	1	WASHER, THRUST
2		9490220724	3	PIN, PRIMARY PLANET
3		9490220725	6	WASHER, THRUST
4		9576100515	51	ROLLER
5		9974102219	1	RING, RETAINING
6		9490220267	3	PIN, SPIROL
7		9490220268	3	SHAFT, GEAR
8		9490220732	6	WASHER, THRUST
9		9490220733	1	RING, EXTERNAL RETAINING
10		9490220738	3	PIN, FINAL PLANET
11		9974102814	3	ROLLPIN
12	*	9576100553	1	SEAL ASSY. DUAL CONE
13		9576100577	1	WASHER,
14		9576100579	1	WASHER,
15		9490220754	5	PLUG
16	*	9490220211	1	O-RING
17		9490220758	1	RING, INTERNAL RETAINING
18		9490220133	1	VALVE, RELIEF
19	*	9974103039	1	O-RING
20	*	A032880	1	O-RING
21	*	9490220763	1	O-RING
22	*	465199-5	1	KIT, SEAL GEARBOX INCLUDES ITEMS 12, 16, 19, 20 AND 21

\* REPAIR KIT AND/OR PART OF KIT

# ***Manitowoc Cranes***

Notes

---

# Manitowoc Cranes

Description

**HYD VALVE INSTALL**

Assembly No.

**1796471**

Revision: **A**

Item	FN	Part	Qty	Description
1		2887000	1	HEX BUSHING PIPE
2		3753030	1	COUPLING, PLUG
3		3753040	1	COUPLING, DUST CAP
4		4282240	3	FITTING ADAPTER STRAIGHT
5		4282580	2	FITTING ADAPTER TEE
6		4282600	3	FITTING ADAPTER 90 DEG
7		4283990	2	FITTING ADAPTER STRAIGHT
8		4295570	1	FITTING, PLUG
9		4296170	1	FITTING, ADAPTER STRAIGHT
10		4297200	1	FITTING
11		4297210	2	FITTING, PLUG
12		7029950	1	CONTROL VALVE ASSY.GROUP 4-WAY
13	+	7041150	1	VALVE, DIRECTIONAL CONTROL
14	+	7041480	1	VALVE MANIFOLD ASSEMBLY

+ SEE FURTHER BREAKDOWN THIS GROUP

# Manitowoc Cranes

Description

**LADDER**

Assembly No.

**1779691**

Revision: **FA**

Item	FN	Part	Qty	Description
1		1779709	4	BRACKET MOUNTING
3		1779722	8	U-BOLT
4		1789459	4	BRACKET
7		5020120	2	LADDER
8		5034480	4	LATCH
10		5483410	16	HEX LOCK NUT, 1/4 -20UNC GR C
11		6177860	16	SCREW, ROUND MACH SLOTTED
13		6052270	1	RUBBER
14		7103010	16	WASHER, LOCK

# Manitowoc Cranes

Description

**LOWER BOOM POINT F/#22 EL BOOM**

Assembly No.

**1770421**

Revision: **FA**

Item	FN	Part	Qty	Description
1		1706622	3	SHAFT
4		1715852	1	SHIM
5		1715862	1	SHIM
6		1715872	3	NUT
8		1771072	2	SLEEVE
9		1771082	2	F WASHER SHIM
10		1771092	1	SHAFT
11		1771102	1	GUARD
13		5483550	1	HEX LOCK NUT PA
15		7095300	1	F WASHER
17		0752981	1	SOCKET
18		0754472	1	WEDGE
19		81033848	7	SHEAVE
20		1720822	1	SPACER
21	+	1771234	1	LINK W/290039 BUSHING
22		0753682	1	PIN
23		3492910	1	CLIP WIRE ROPE
51		1712501	7	SHEAVE ASSY

+ SEE FURTHER BREAKDOWN THIS GROUP

# Manitowoc Cranes

Description  
**SHEAVE ASSY**

Assembly No.  
**1712501**  
Revision: **F**

Item	FN	Part	Qty	Description
1		2250190	1	BEARING
2		6227720	2	OIL SEAL
3		1703542	1	SHEAVE, 30 IN DIA

# Manitowoc Cranes

Description

**CLAMPS, LUFFING JIB**

Assembly No.

**1776123**

Revision: **FA**

Item	FN	Part	Qty	Description
22		1748442	4	CLAMP
23		1776372	1	SPACER
24		1776382	2	F WASHER SHIM
25		6021670	6	ROLLER
26		5460580	8	HEX NUT
27		6126910	4	HHCS
28		7103070	4	WASHER, LOCK

# Manitowoc Cranes

Description

**FOR #82-#22L WITH SECOND**

Assembly No.

**1955498**

Revision: **FE**

Item	FN	Part	Qty	Description
163		1424032	1	WEIGHT
166		3341010	6	CHAIN
167		3490360	4	CLIP, CORD
169		4774740	1	HARNESSEXT
170		6246330	1	SHACKLE
172		810113332	1	BRACKET ASSY
173		A177540	1	BOX JUNCTION ASSY

# Manitowoc Cranes

Description

**LEVER**

Assembly No.

**1770784**

Revision: **A**

Item	FN	Part	Qty	Description
1		0700912	1	BUSHING
3		1770772	1	LEVER
5		4292590	1	FITTING, GREASE
6		5467630	1	NUT, HEX JAM
7		6124540	1	SCREW, HEX CAP

# Manitowoc Cranes

Description

**AUTOMATIC JIB STOP SWITCHES,**

Assembly No.

**1964852**

Revision: **FC**

Item	FN	Part	Qty	Description
2		1961722	2	SPACER,
3		1961732	1	SPACER,
4		1944042	1	SPACER,
7		3490150	4	CLIP, TUBE DBL COLLARD 5/8 ID
8		3963190	3	PIN SPRING SLOT, 1/8 DIA X 0.
9		4716820	3	CONNECTOR, GRIP CORD 7/16" BO
10		5390440	1	NAME PLATE, MAX PER DRWG 2254
11		5390450	1	NAME PLATE, MIN PER DRWG 2254
12		5391060	1	NAMEPLATE MAX WORKING, CR2254
13		5460550	8	HEX NUT, 10-24UNC STEEL
14		6123500	4	HHCS, 1/4-20UNC X 0.38 GR 5
15		5725090	1	PLUG FEMALE, 16/2 15 FT #102S
16		5725730	1	PLUG, MALE SHLD 16/2 X 12' BH
17		5725870	1	PLUG, FEM 3 POLE 12' LG SHIEL
19		6177950	12	SLOT RMS, 10-24UNC X 2.00 GR
20		6177900	4	SLOT RMS, 10-24UNC X 1.25 GR
22		6226340	3	SEAL, LEAD/WIRE 12IN #40 2PLY
23		6672040	4	STRAP, CABLE .375-1 HOLE BULK
25		810161890	3	SWITCH LIMIT,
27		7095020	12	F WASHER, #10 ST SAE
28		7103010	16	WASHER, LOCK
29		81037396	1	BRACKET LIMIT SWITCH

# Manitowoc Cranes

Description  
**SHEAVE ASSY**

Assembly No.  
**1712501**  
Revision: **F**

Item	FN	Part	Qty	Description
1		2250190	1	BEARING
2		6227720	2	OIL SEAL
3		1703542	1	SHEAVE, 30 IN DIA

# Manitowoc Cranes

Description

**PLATFORM CATWALK ASSY**

Assembly No.

**810169001**

Revision: **B**

Item	FN	Part	Qty	Description
1		7660152500	18	LOCKNUT, HEX GRADE 5
2		5464690	4	HEX HVY NUT
3		6124050	4	HHCS
4		6125570	4	SCREW, HEX CAP
5		7094600	4	WASHER, FLAT SHIM
6		810166910	14	WASHER SHOULDER
7		810168362	3	SUPPORT
8		810174990	1	CAT WALK
9		810175000	1	CAT WALK
10		810175102	2	BRACKET
11		7115155864	14	C BOLT
12		7950150141	22	WASHER, FLAT 5/16"
13		810173972	4	SUPPORT
14		7103060	4	WASHER, LOCK

# Manitowoc Cranes

Description

**#82 BOOM LACINGS SERVICE GROUP**

Assembly No.

**O-569**

Revision: **B**

Item	FN	Part	Qty	Description
1		NPN	1	NO PART NUMBER FOR SERVICE REVIEW ALL THE INFO. LISTED PER THE APPLICATION FOR THE REQUIRED SERVICE ITEMS

# Manitowoc Cranes

Description

**#82 BOOM LACINGS SERVICE GROUP**

Assembly No.

**O-569**

Revision: **B**

Item	FN	Part	Qty	Description
1		NPN	1	NO PART NUMBER FOR SERVICE REVIEW ALL THE INFO. LISTED PER THE APPLICATION FOR THE REQUIRED SERVICE ITEMS

# Manitowoc Cranes

Description

**#82 BOOM LACINGS SERVICE GROUP**

Assembly No.

**O-569**

Revision: **A**

Item	FN	Part	Qty	Description
1		NPN	1	NO PART NUMBER FOR SERVICE REVIEW ALL THE INFO. LISTED PER THE APPLICATION FOR THE REQUIRED SERVICE ITEMS

# Manitowoc Cranes

**OPPOSITE LACINGS (BLACK) SAME UNLESS NOTED:**

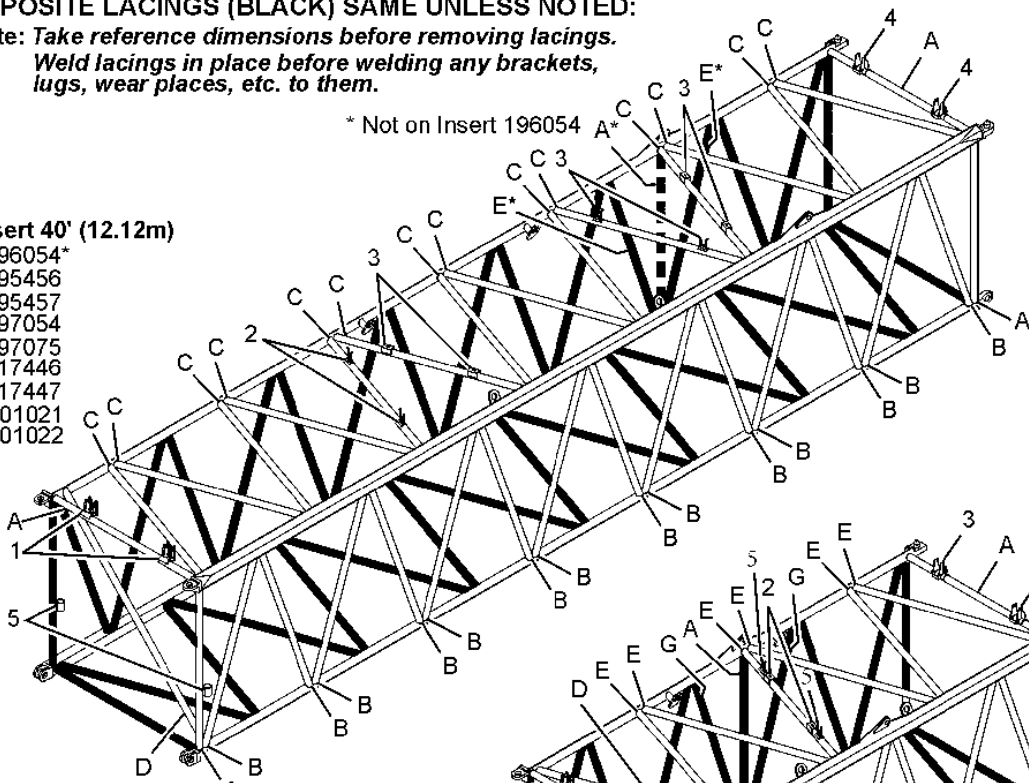
**Note: Take reference dimensions before removing lacings.**

**Weld lacings in place before welding any brackets, lugs, wear places, etc. to them.**

\* Not on Insert 196054

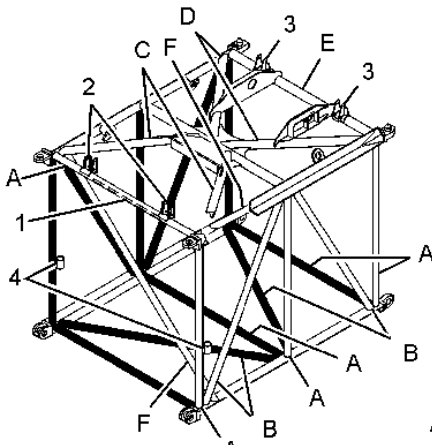
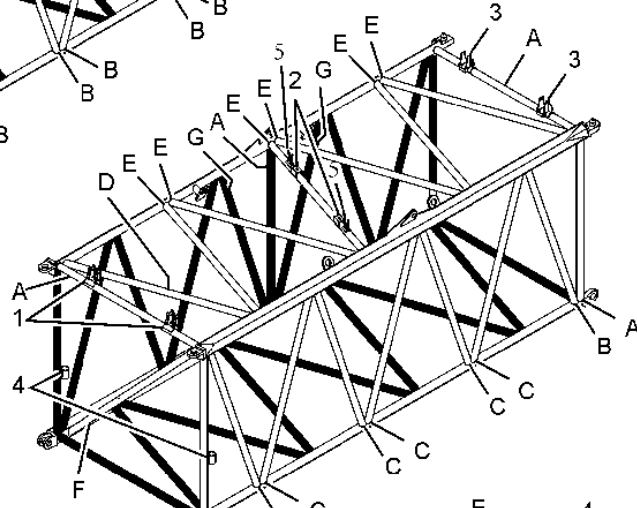
**Insert 40' (12.12m)**

- #196054\*
- #195456
- #195457
- #197054
- #197075
- #417446
- #417447
- #A01021
- #A01022



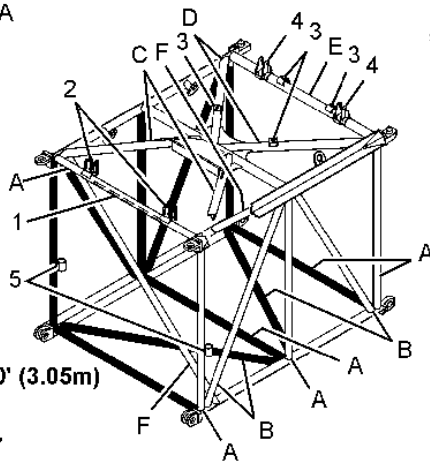
**Insert 20' (6.10m)**

- #195455
- #197052
- #417445
- #A01020



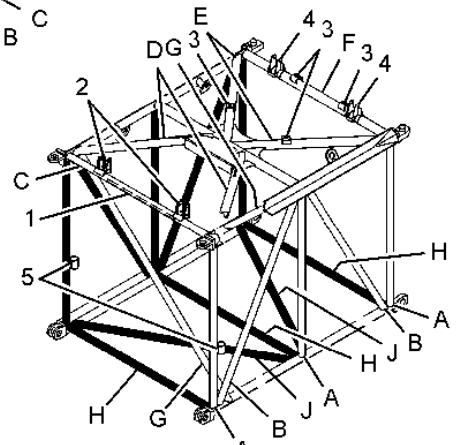
**Insert 10' (3.05m)**

- #195454
- #417452
- #A01014
- #A01015



**Insert 10' (3.05m)**

- #196006
- #417444
- #A01017
- #A01122



**Insert 10' (3.05m)**

- #197050
- #A01016
- #A01019

# Manitowoc Cranes

Description

**PLATFORM CATWALK ASSY**

Assembly No.

**810169021**

Revision: **B**

Item	FN	Part	Qty	Description
1		7660152500	84	LOCKNUT, HEX GRADE 5
2		6124050	36	HHCS
3		810166880	3	CAT WALK
4		810166910	48	WASHER SHOULDER
5		810168362	24	SUPPORT
6		810169952	6	BRACKET
7		810169980	1	PLATFORM CATWALK WELDMENT
8		7115155064	48	C BOLT
9		7950150141	120	WASHER, FLAT 5/16"

# Manitowoc Cranes

**OPPOSITE LACINGS (BLACK) SAME UNLESS NOTED:**

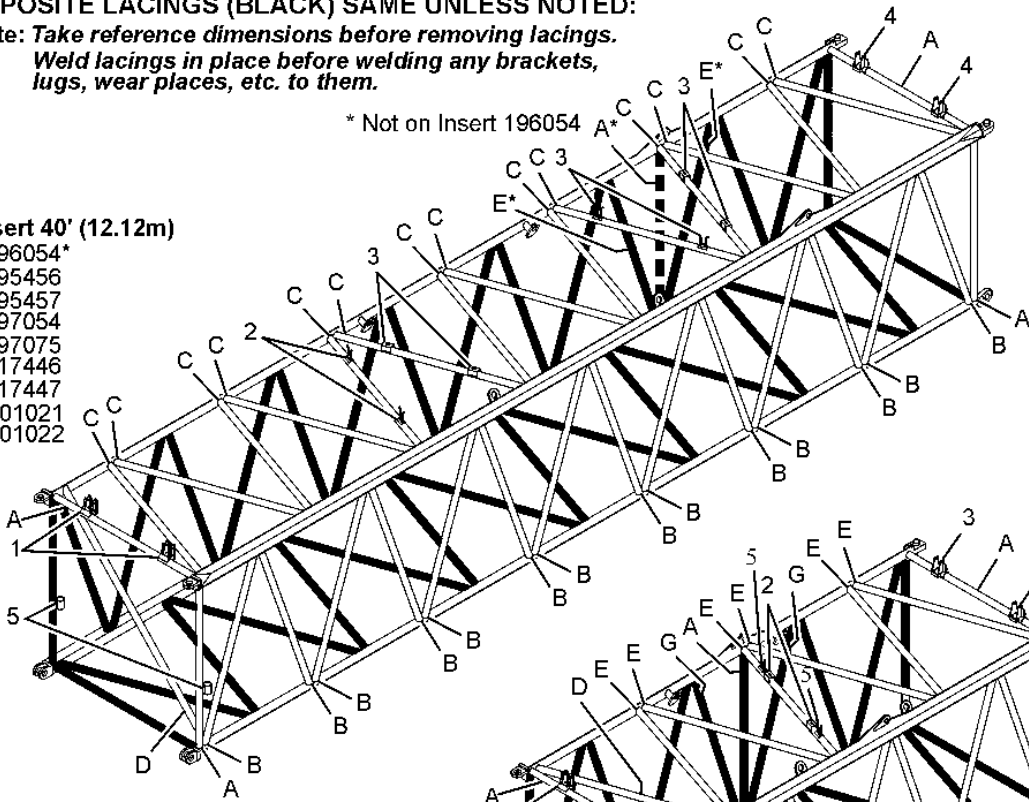
**Note: Take reference dimensions before removing lacings.**

**Weld lacings in place before welding any brackets, lugs, wear places, etc. to them.**

\* Not on Insert 196054

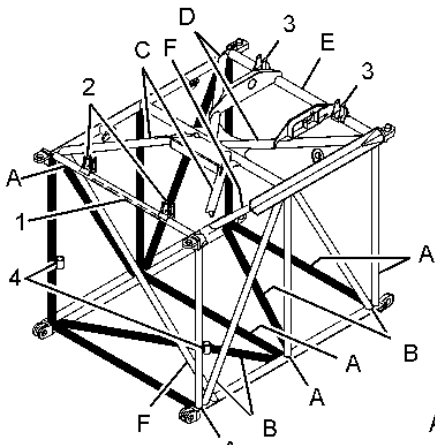
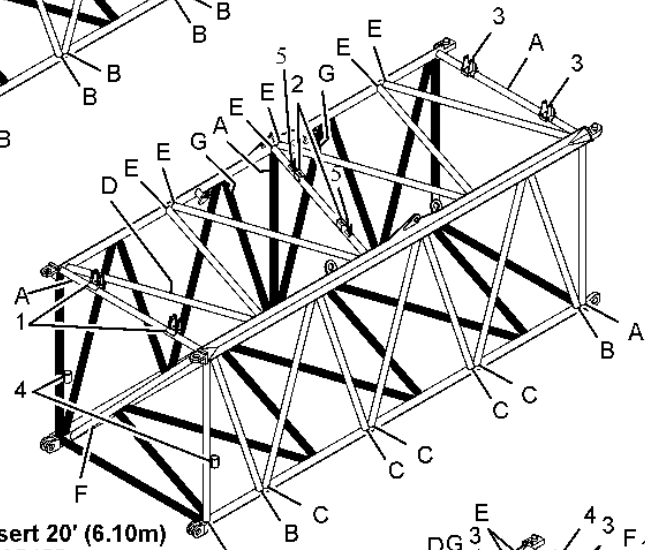
**Insert 40' (12.12m)**

- #196054\*
- #195456
- #195457
- #197054
- #197075
- #417446
- #417447
- #A01021
- #A01022



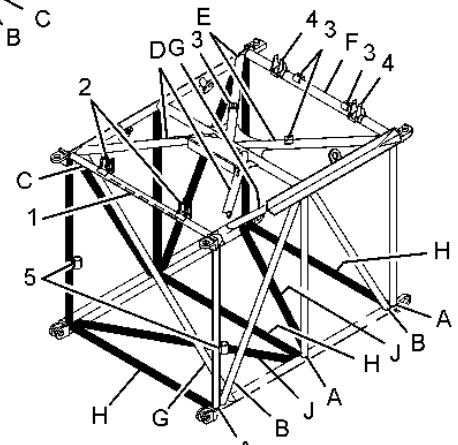
**Insert 20' (6.10m)**

- #195455
- #197052
- #417445
- #A01020



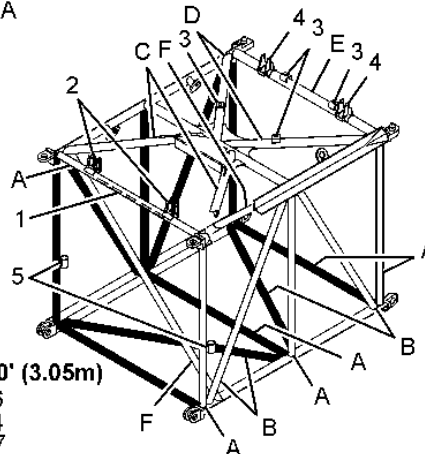
**Insert 10' (3.05m)**

- #195454
- #417452
- #A01014
- #A01015



**Insert 10' (3.05m)**

- #197050
- #A01016
- #A01019



**Insert 10' (3.05m)**

- #196006
- #417444
- #A01017
- #A01122

# Manitowoc Cranes

Description

**40FT #82 BOOM INSERT**

Assembly No.

**81032602**

Revision: **B**

Item	FN	Part	Qty	Description
1	+	<b>1954571</b>	1	40FT #82 BOOM INSERT
2	+	<b>1954653</b>	1	STRAPS
3	+	<b>810169022</b>	1	PLATFORM CATWALK ASSY

+ SEE FURTHER BREAKDOWN THIS GROUP

# Manitowoc Cranes

Description

**STRAPS**

Assembly No.

**1954653**

Revision: **FA**

Item	FN	Part	Qty	Description
1		1798622	4	COLLAR
2		1798632	4	PIN 1 HOLE W/HD
3		1799592	4	PIN 2 HOLE
4		1954602	2	STRAP
5		810171230	1	TIMBER
6		1959842	4	LINK
7		0782922	4	PIN

# Manitowoc Cranes

Description  
**SHEAVE ASSY**

Assembly No.  
**1712501**  
Revision: **F**

Item	FN	Part	Qty	Description
1		2250190	1	BEARING
2		6227720	2	OIL SEAL
3		1703542	1	SHEAVE, 30 IN DIA

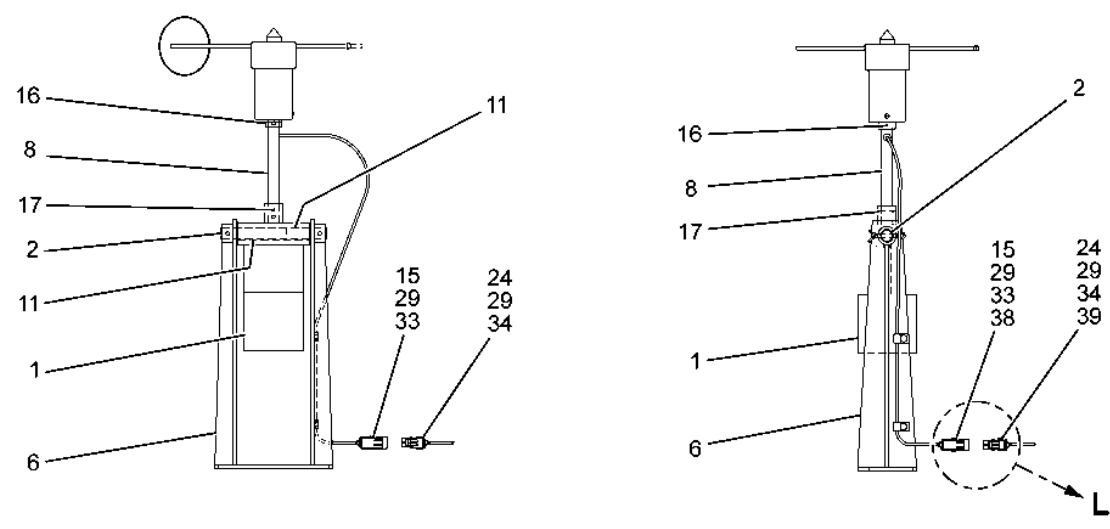
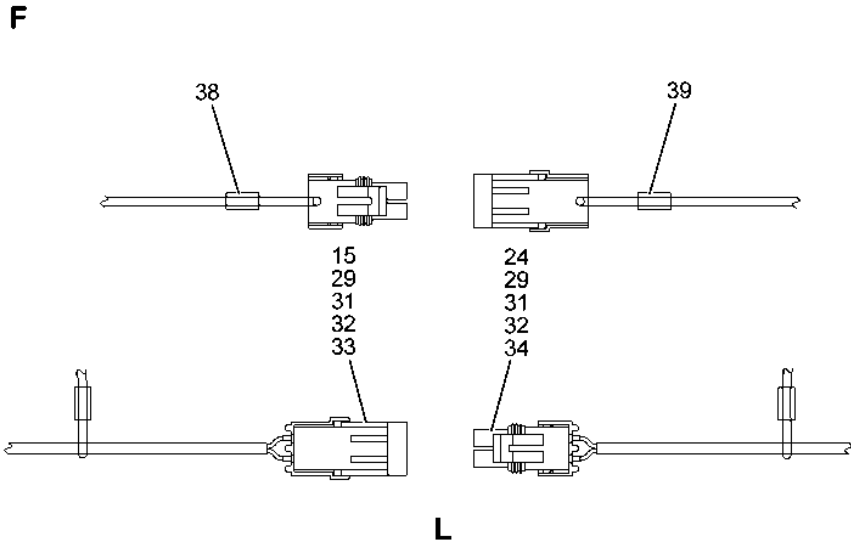
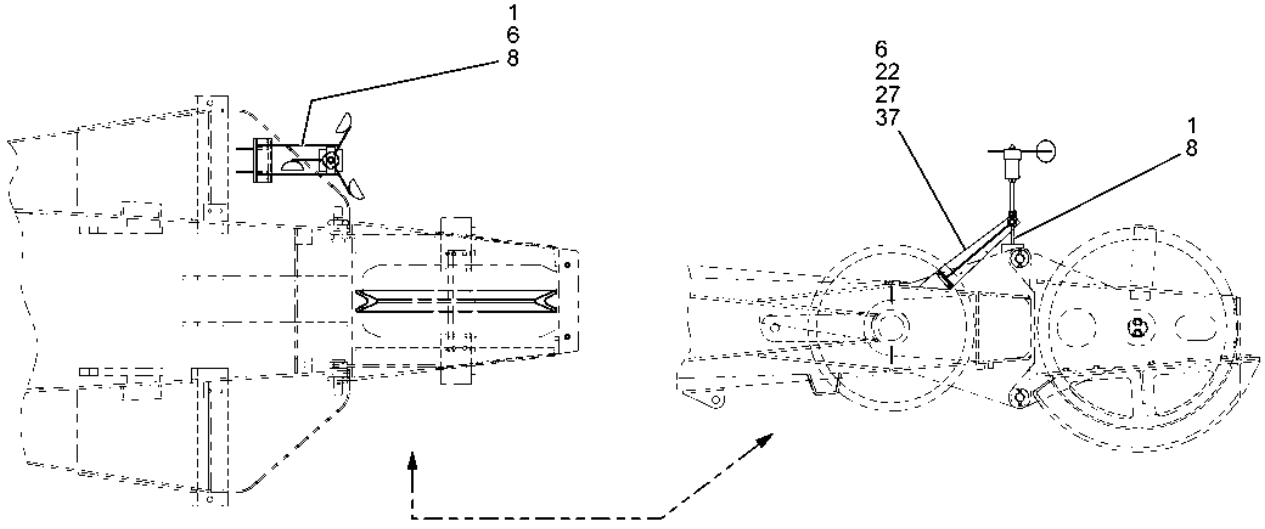
# Manitowoc Cranes

Description  
**BLOCK, HOOK**

Assembly No.  
**2365030**  
 Revision: **FA**

Item	FN	Part	Qty	Description
1		9086220329	1	BEARING, SHEAVE INCLUDES PIN, HANDLE, SPRING AND NUT
2		9086220292	1	SHEAVE (30")
3		9086100886	1	KIT, LATCH INCLUDES THE FOLLOWING PARTS
		90039371	1	SPRING
4		9086220016	1	HOOK ASSY (45 TON) W/TRUNION AND BEARING
5		9086100879	1	BEARING
6		9086220330	1	LOCK ASM LESS BARREL
7		9086220325	1	TRUNION

# Manitowoc Cranes



# Manitowoc Cranes

Description

**INDICATOR INCLUDES 60 FT CABLE**

Assembly No.

**4894170**

Revision: **FA**

Item	FN	Part	Qty	Description
1	+	<b>A044140</b>	1	SENSOR, WIND SPEED
2		<b>9576220003</b>	1	DISPLAY ONLY (ENGLISH)

+ SEE FURTHER BREAKDOWN THIS GROUP

# Manitowoc Cranes

Alphabetical Index	Appendix A	
Description	Part	Page
<b>BOX JUNCTION ASSY</b>	810187380	19
	810187670	19
	A145077	657
	A177540	661
<b>BOX, JUNCTION HOLE CALLOUT BRACKET</b>	810178270	353
	1378362	586
	1730182	585
	1740192	586
	1740592	586
	1768072	45
	1768192	19
	1768452	443
	1770752	669
	1770762	675, 793
	1771522	813
	1771542	815
	1788372	95
	1788652	337
	1789459	281, 621
	1794612	331
	1955692	203
	1957132	133
	1959492	617, 625
	1961922	235
	1961932	235
	1962142	159
	1962152	159
	1962162	159
	1962172	159
	1963372	361, 523
	2981440	89
	810097842	338
	810097852	338
	810102192	311
	810103032	311
	810125112	170
	810127252	350
	810127262	350
810127522	170	
810149272	170	
810153222	170	
810169932	225	
810169952	579, 693, 697, 735, 737, 751, 753, 767, 769, 783	
810174752	225	
810175102	701, 713	
810176472	579	

From - BOX JUNCTION ASSY

To - BRACKET

# Manitowoc Cranes

Alphabetical Index	Appendix A	
Description	Part	Page
<b>COVER, COOLER SHROUD</b>	810156792	189
	810156802	189
	810157212	189
	810157222	189
	810157232	189
	810157242	189
<b>COVER, FLANGE</b>	90022126	195
<b>COVER, GASKET</b>	1770032	231
<b>COVER, GREASE PUMP</b>	9722220174	364, 530
<b>COVER, HOUSING</b>	9722220907	364, 530
<b>COVER, INPUT</b>	9490220227	480
<b>COVER, INPUT PROTECTION</b>	9490220770	287, 297
<b>COVER, OPERATORS CAB DOOR TRAC</b>	810183352	90
<b>COVER, OUTPUT</b>	9490220549	287, 297
<b>COVER, PROTECTION</b>	9490220555	287, 297
<b>COVER, PUMP RESERVOIR</b>	9722220894	363, 529
<b>COVER, WIRE DUCT</b>	2980890	87
<b>CRAWLER MACHINING</b>	810039532	461
<b>CUP &amp; ARM ASSEMBLED</b>	4894173	823
<b>CYLINDER</b>	3856070	121
	3856470	483
<b>CYLINDER 8" BORE SS FORGED ROD</b>	3856490	57
<b>CYLINDER ASSEMBLY</b>	3856480	13
<b>CYLINDER HYD</b>	3856060	37
	810017760	453
<b>CYLINDER, HYDRAULIC</b>	3852250	585
	3855980	133, 141, 149
<b>DECAL</b>	0954942	69
	0972812	69
	1772752	69, 70
	1959832	69
	1961190	69
	1961212	69
	1961240	69
	1962862	70
	1962882	70
	1966362	70, 71
	1966372	70, 71
	1970042	69
	810078110	115
	810078120	115

From - COVER, COOLER SHROUD

To - DECAL

# Manitowoc Cranes

Alphabetical Index	Appendix A	
Description	Part	Page
GASKET	9632220072	599
GASKET ASSEMBLY, CONDUIT	4567670	19, 21, 303, 349, 353
GASKET, END CAP	9632220504 9794220014	600 467, 598, 600
GASKET, HANDLE, D-RING, ROUND	2981360	89
GATE	9872220032	323
GAUGE DEF LEVEL	810341960	344
GAUGE, FUEL LEVEL	4604010	343
GAUGE, OIL	4604020	343
GAUGE, SIGHT	A078940	289, 299
GAUGE, VOLTMETER	4603990	343
GAUGE, WATER TEMP	4604030	343
GEAR ASSEMBLY	90023448	325, 327, 329
GEAR BOX ASSY. W/BRAKE ASSY.	4650930	585
GEAR BOX ASSY. W/O BRAKE ASSY	4650950	589
GEAR, 1ST & 2ND STAGE RING	9490220013	287, 297
GEAR, 2ND STAGE PLANET	9490220477	480
GEAR, 2ND STAGE SUN	9490220478	479
GEAR, 3RD STAGE PLANET	9490220486	287, 297, 479
GEAR, 3RD STAGE SUN	9490220487	479
GEAR, DRIVE	9872220008	323
GEAR, PLANET	9490220276 9490220453 9490220459 9490220465	287, 297 8 9 9
GEAR, PLANET (1ST STAGE)	9490220562	288, 298
GEAR, POTENTIOMETER	9872220009	323
GEAR, RING	9490220159 9490220454 9490220479	9, 479 8 479
GEAR, RING (M4 Z69)	9490220148	9
GEAR, SPUR 96 TEETH	9490220002	288, 298
GEAR, SUN	9490220452 9490220458 9490220466	8 9 9
GEAR, SUN (1ST STAGE)	9490220561	287, 297
GEAR, SUN (2ND STAGE)	9490220554	288, 298

From - GASKET

To - GEAR, SUN (2ND STAGE)

# Manitowoc Cranes

Alphabetical Index	Appendix A	
Description	Part	Page
KIT, 24VDC MOTOR	9722220916	364, 530
KIT, AIR COND. HOSES	810147930	421
KIT, BEARING & SEAL	9722220915	364, 530
KIT, BOLT	7029957	379, 613
	7029959	379, 613
	90022520	379, 613
	90022523	379, 613
KIT, BRAKE STACK AND SEAL	4650976	11
KIT, CHARGE PRESSURE RELIEF	9632220286	467
KIT, CONTROL HANDLE SCREW/NUT	9872220104	323
KIT, CPRV CART	5364715	600
KIT, CYLINDER SEAL	3856065	39
KIT, END CAP SEAL	5364516	597, 600
KIT, EQ CONTROL	5364694	598, 599
KIT, GEARBOX SEAL	4655185	10
	9527200069	289, 299
KIT, HANDLE	90014281	323
KIT, HOUSING SEAL	9722220917	364, 530
KIT, LATCH	9086100886	801
KIT, MULTIFUNCTION BLOCK	5364544	598, 599, 600
KIT, NIPPLE SEAL	9364220158	253, 575
KIT, PACKING	3855535	493
	A041435	496
KIT, PCOR	5364545	599, 600
KIT, PCOR REPAIR	5364554	598
KIT, PCP VALVE	7031255	599, 600
KIT, PISTON RING	9632220232	467
KIT, POWER CORD	9722220914	364, 530
KIT, POWER PLUG	9722220918	364, 530
KIT, RATE PLATE / WARNING INFO	90016869	825
KIT, REPAIR	90016409	255, 571
KIT, SAFETY LATCH	7576001728	797
KIT, SEAL	3852255	603
	3854394	39, 59
	3855985	139, 147, 153
	3856075	123
	3856285	15
	7029025	379, 613

From - KIT, 24VDC MOTOR

To - KIT, SEAL

# Manitowoc Cranes

Alphabetical Index	Appendix A	
Description	Part	Page
<b>PIN (FOR NEEDLE D.6)</b>	9490220153	9, 287, 297
<b>PIN (NO HOLES) W/HD</b>	1763729	121
	1763742	13
	1766189	37
	1766192	37
	1766202	37
<b>PIN 1 HOLE W/HD</b>	1409092	95
	1436622	133, 141, 149
	1766292	447
	1798632	559, 561, 685, 703, 733, 749, 765, 781
	1937369	157
	1954302	483
	1956809	291, 301
	1957402	141, 149
	1960692	561
	5638740	787
<b>PIN 2 HOLE</b>	0743369	787
<b>PIN 2 HOLE</b>	0028509	617, 625
	1387332	515
	1767632	243
	1767642	241
	1799592	559, 561, 685, 703, 733, 749, 765, 781
	1957102	133
	1957552	447
	1959552	509
	1959792	657
	1959802	663, 665, 679
	1960282	685
	1960682	561
<b>PIN 3-/12 X 6-3/4 PLATED</b>	1764792	131
<b>PIN COTTER</b>	5620850	559
	5621060	447
	5621090	586
	5621100	545
	5621320	131
	5621490	553
	5621500	787
	5621520	33, 241
	5621710	501
	5621740	33, 553
	5621790	447
	5638160	157
<b>PIN FOR DEAD END ANCHOR LINK,</b>	170419A	785

From - PIN (FOR NEEDLE D.6)

To - PIN FOR DEAD END ANCHOR LINK,

# Manitowoc Cranes

Alphabetical Index	Appendix A	
Description	Part	Page
ROLLER	9576100515	591
ROLLER ASSEMBLY	2982180	89
ROLLER INTERMED CRAWL	1965944	461
ROLLER W/2-162801 BUS	1796734	653
ROLLPIN	9974102814	591
ROOF BEAM FOR MODEL 999	1955533	355
ROPE	6040740	539
ROTARY GROUP	90022144	197
ROTARY GROUP HYDRAULIC SECTION	90022146	199
ROTATING BED MACHINING	810048542	119
RUBBER	6052270	281, 621
RUBBER, SEAL STRIP	2980910	87
RUBBER, WINDOW	2980810	87
RUBBER, WINDOW INLINE	2981050	88
SCR SKT HD	7127130854	208
SCR SKT HD M4-0.7X16 12.9 PLN	7128111054	221
SCREW	6207740	813
	6215100	472
	9372220364	493
	9372220370	493
	9632220057	468
	9632220088	599
	9632220228	599
	9632220485	599
	9722220905	363, 529
	9872220039	315, 317, 319, 323
SCREW, SELF-TAP RD HD TY F #6	6206410	243
SCREW, ALLEN SET	90017035	823
SCREW, BR MACH	6164960	655
SCREW, CAP	6124010	568
	6124210	489, 579
SCREW, FLANGE	7115160678	163
SCREW, FLAT	6175900	89
SCREW, FLAT POINT SET	9632220093	598
SCREW, FLT HD CAP	9364220129	449
SCREW, HEX	6123590	27, 89
SCREW, HEX CAP	6123510	337, 349
	6123520	19, 89, 163, 189, 349

From - ROLLER

To - SCREW, HEX CAP

# Manitowoc Cranes

Alphabetical Index	Appendix A	
Description	Part	Page
SWITCH, MICRO	9352100371	315, 317, 319, 323, 325, 327, 329
SWITCH, PRESSURE HI/LO	90018823	429
SWITCH, PUSH BUTTON (NC)	9872220055	323
SWITCH, PUSHBUTTON SPST (N.O.)	6726310	23
SWITCH, ROCKER	6726270	343
	6726280	343
	6726290	333, 337, 338, 341, 343
	6726960	343
SWITCH, TOGGLE SPDT MOMENTARY	6726590	23
SWITCH, TOGGLE SPST MOMENTARY	6735700	23
SWIVEL (AS-5)	9539220033	797
SYNCH SHAFT ASSEMBLY	9632220230	467
T.D. DRAIN, BRASS DRAIN 1/4"	3520010	185, 225
TAG	1478412	70
TANK FUEL ASSY	A103211	165
TANK FUEL ASSY 165 GA	A104282	229
TANK FUEL ASSY 35 GAL	A104292	229
TANK FUEL DEF 15 GAL	810297322	207
TANK HYDRAULIC ASSY T	810140324	355
TANK, FUEL	A103622	233
TAPE	6780080	331, 337
TAPE - S-1278-01	A094400	813
TAPE, BLACK	2980800	87
TAPERED ROLLER BRG	2245230	471
TEE	4280050	249, 373, 391, 405
TEE PIPE	6788690	169
TELEMATIC CONTROL UNIT (TCU)	80009833	311
TERMINAL	6805460	343, 813
	6805720	29
	6808240	305
	810259390	221
	810259400	221
	A164680	305
TERMINAL BOARD ASM (5 POLE)	9872220043	323
TERMINAL FEMALE #190-16-0005	6808660	331
TERMINAL MALE	6808690	331
TERMINAL, PIN CONTACT	6805450	343, 813

From - SWITCH, MICRO

To - TERMINAL, PIN CONTACT

# Manitowoc Cranes

Numerical Index		Appendix B
Part	Description	Page
1704193	SHEAVE FOR 1" WIRE ROPE	785
170419A	PIN FOR DEAD END ANCHOR LINK,	785
1704694	ROLLER	461
1706410	WASHER, FLAT SHIM	169
1706622	SHAFT	631, 639, 687
1706692	SPACER	637
1706772	SPACER	787
1707742	SHIM	513
1712501	SHEAVE ASSY	631, 639, 643, 687, 789
1715239	PIN KEEPER	545
1715852	SHIM	631, 653, 687
1715862	SHIM	631, 653, 687
1715872	NUT	631, 639, 687
1715992	PLATE	127
1716802	INSERT	539
1716812	PIN LOCKING	539
1718779	SHIM	133, 141, 149, 585
1720662	WINDOW	337
1720822	SPACER	631, 687
1721732	SLING LIFTING	505
1721869	ADAPTER	373
1722772	PIN	553
1728592	DECAL-CAUTION-REMOTE CAUTION-R	69
1730182	BRACKET	585
1735852	PLATE	157
1738342	PIN	521
1740184	INDICATOR WHEEL ASSEMBLY	585
1740192	BRACKET	586
1740592	BRACKET	586
1742082	FRAME	787
1748442	CLAMP	647, 651
1755414	ROLLER	787
1756122	BUSHING	555
1760262	PLATE	471
1760272	SLEEVE	471
1760282	CARRIER	471

From - 1704193

To - 1760282

# Manitowoc Cranes

Numerical Index		Appendix B
Part	Description	Page
1957622	CATWALK, GALVANIZED	157
1957654	LEVER	133
1957664	PAWL W/289823 BUSHING	133
1957674	LEVER	149
1957682	BRACKET, GALVANIZED	157
1958179	VALVE ASSEMBLY	373
1958424	LINK CWT HANDLING LH	47
1958444	LINK CWT HANDLING RH	47
1958512	TUBE	405
1958532	TROUGH	443
1958542	TROUGH	443
1958552	TROUGH	443
1958562	TROUGH	443
1958572	TROUGH	443
1958582	TROUGH	443
1958662	SKIRT	443
1958722	SHIM PACK, PLATED	229
1958741	TURNTABLE GREASING ASSEMBLY	1
1958745	GREASE PUMP	355
1958932	SHAFT	509
1959092	BRACKET, BLACK	509
1959461	BOOM BUTT SUPPORT ASSEMBLY	541, 623
1959462	PINS	541, 623
1959492	BRACKET	617, 625
1959502	PLATE	509
1959512	BRACKET, BLACK	509
1959532	BRACKET, BLACK	509
1959552	PIN 2 HOLE	509
1959661	LOAD SENSOR INSTRUMENTED	629
1959792	PIN 2 HOLE	657
1959802	PIN 2 HOLE	663, 665, 679
1959812	FRAME	663, 679
1959822	FRAME	665
1959832	DECAL	69
1959842	LINK	703, 733, 749, 765, 781
1959952	TUBE	391

From - 1957622

To - 1959952

# Manitowoc Cranes

Numerical Index		Appendix B
Part	Description	Page
4069690	ELBOW, PIPE	399
4070360	ELBOW	177
4114620	ENCODER INCREMENTAL	291, 301
4136240	ENGINE WATER FILTER	417, 435
4168000	EXTINGUISHER	83
4218340	FASTENER	127
4218660	FASTENER	607, 609
4246630	FERRULE	527
4272789	FILTER HEAD	249
4272820	HYD FILTER	435
4272830	HYD FILTER ELEMENT	251, 435
4272860	FILTER, HYDRAULIC FLOWEZY	399
4272870	FILTER, DIFFUSER FLOWEZY	399
4272890	FILTER	425
4273010	FILTER, BREATHER	399
4273020	FILTER, MANIFOLD SPEC 3 GANG	405
4280050	TEE	249, 373, 391, 405
4280400	FITTING, 90° ELBOW	405
4280990	FITTING	249
4282230	FITTING ADAPTER STRAIGHT	567
4282240	FITTING ADAPTER STRAIGHT	567, 611
4282250	FITTING, STRAIGHT ADAPTER	61, 373, 391, 405, 487, 499
4282260	FITTING, 90° ADAPTER	61, 373, 391
4282270	FITTING ADPTER 90 DEG	405, 567
4282300	FITTING ADAPTER TEE	387
4282310	FITTING	373, 391
4282320	FITTING, STRAIGHT ADAPTER	61, 391, 567
4282330	FITTING ADAPTER STRAIGHT	387, 391, 487, 567
4282340	FITTING ADAPTER STRAIGHT	373, 405
4282360	FITTING ADAPTER 90 DEG	373, 391, 487, 567
4282370	FITTING ADAPTER 90 DEG	405, 487, 567
4282380	FITTING ADAPTER 90 DEG	405
4282400	FITTING	249, 387
4282420	FITTING ELBOW	387
4282430	FITTING ADAPTER STRAIGHT	373
4282440	FITTING, 90° ADAPTER	61, 487

From - 4069690

To - 4282440

# Manitowoc Cranes

Numerical Index		Appendix B
Part	Description	Page
5483720	NUT, ELASTIC STOP	127
5483740	HEX LOCK NUT PA	653
5485550	NUT, LOCK CONDUIT	19, 21, 303, 349, 353
5485580	NUT	349
5487120	NUT RETAINER .50-13UNC THRD,	83
5499540	ORIFICE	467, 597, 598
5503230	RING	221
5541130	PAD, 3/8X3/4 DIA-1/4-20 OCEAN	349
5541660	PAD	33
5562900	PANEL LOAD	349
5620430	PIN, COTTER	586
5620850	PIN COTTER	559
5621060	PIN COTTER	447
5621090	PIN COTTER	586
5621100	PIN COTTER	545
5621320	PIN COTTER	131
5621490	PIN COTTER	553
5621500	PIN COTTER	787
5621510	PIN, COTTER	33, 241, 586, 649, 653
5621520	PIN COTTER	33, 241
5621710	PIN COTTER	501
5621740	PIN COTTER	33, 553
5621790	PIN COTTER	447
5636450	PFEP PIN LOAD 3PS	663, 665, 679
5636990	HITCH PIN	483
5638030	PIN WIRE LOCK	243, 471, 539, 559
5638160	PIN COTTER	157
5638220	PIN HITCH	649
5638230	PIN SAFETY	37, 515, 553, 559, 561, 663, 665, 679, 787
5638250	PIN SAFETY	619, 627
5638510	PIN HAIR COTTER	111
5638710	PIN, SAFETY	121, 453, 647
5638740	PIN 1 HOLE W/HD	787
5638750	HITCH PIN	617, 625
5638790	HITCH PIN	509

From - 5483720

To - 5638790

# Manitowoc Cranes

Numerical Index		Appendix B
Part	Description	Page
7095900	F WASHER	649
7097020	WASHER, FLAT SHIM	83, 163, 539, 561
7097030	WASHER, FLAT SHIM	129, 163
7097440	F WASHER, 5/16 ST F436	185, 207
7097860	F WASHER	472
7099700	WASHER	75
7101810	F WASHER	471
7103010	WASHER, LOCK	19, 77, 83, 231, 281, 311, 337, 349, 621, 669, 681
7103020	WASHER, LOCK	13, 19, 21, 27, 29, 87, 95, 189, 225, 284, 294, 338, 349, 443, 457, 519, 587
7103030	WASHER, LOCK	3, 19, 27, 83, 173, 185, 203, 225, 311, 443, 471, 489, 519, 568, 587
7103040	WASHER, LOCK	75, 77, 129, 161, 169, 177, 189, 229, 231, 233, 250, 305, 375, 393, 443, 461, 463, 509, 547, 586, 657, 663, 665, 669, 679, 813, 815
7103050	WASHER, LOCK	89, 173, 175
7103060	WASHER, LOCK	33, 37, 47, 83, 159, 161, 163, 169, 185, 229, 235, 250, 283, 293, 385, 399, 406, 472, 509, 513, 561, 587, 701, 713
7103070	WASHER, LOCK	33, 157, 169, 173, 399, 447, 453, 617, 625, 647, 649, 651
7103080	WASHER, LOCK	33, 37, 47, 121, 131, 133, 267, 283, 293, 447, 461, 483, 509, 787
7103100	L WASHER MEDIUM	121, 461
7103190	WASHER, LOCK MEDIUM	284, 294, 331
7104500	WASHER, LOCK	21
7104600	L WASHER	163, 221
7106100	L WASHER	587
7107070	WASHER, SHAKEPROOF	90, 338

From - 7095900

To - 7107070

# Manitowoc Cranes

Numerical Index		Appendix B
Part	Description	Page
810156782	COVER, COOLER SHROUD	189
810156792	COVER, COOLER SHROUD	189
810156802	COVER, COOLER SHROUD	189
810156832	BRACKET, COOLER SUPPORT	189
810156852	BRACKET, COOLER SUPPORT	189
810157212	COVER, COOLER SHROUD	189
810157222	COVER, COOLER SHROUD	189
810157232	COVER, COOLER SHROUD	189
810157242	COVER, COOLER SHROUD	189
810157310	FITTING ADAPTER 45 DEG, -04 3	186
810157602	BRACKET TCU MOUNTING	311
810158280	STRIP, RUBBER	189
810158300	STRIP, RUBBER	189
810158310	STRIP, RUBBER	189
810158320	STRIP, RUBBER	189
810158330	STRIP, RUBBER	189
810158340	STRIP, RUBBER	189
810159480	CLAMP TUBE	225
810159490	CLAMP TUBE	225
810159620	HARNESS ASSY	305
810159850	WINDOW ASSEMBLY, RIGHT SIDE CA	87
810160100	HOSE, 0.38 ID X 5592 X 22.00	186
810160840	FLANGE SPLIT CODE 62	250, 393
810160850	FLANGE SPLIT CODE 62	250, 393
810161270	SWITCH, LIMIT	669, 675, 793
810161350	SWITCH, LIMIT	19, 43
810161360	SWITCH, LEVER ARM FIXED	669, 675, 793
810161520	TUBING POLYOLEFIN	813
810161890	SWITCH LIMIT,	681
810163000	ELBOW, 90°	283, 289, 293, 299
810163431	CONSOLE CONTROL ASSY	311
810165450	CABLE ELEC	547
810166130	PUMP HYDR PISTON VARIABLE	170
810166730	EXTENSION	289, 299
810166880	CAT WALK	693, 697, 735, 737, 751, 753, 767, 769, 783

From - 810156782

To - 810166880

# Manitowoc Cranes

Numerical Index		Appendix B
Part	Description	Page
9372220013	ADAPTER, 90 DEG	455
9372220014	ADAPTER, STRAIGHT	455
9372220030	NUT, HEX	139, 147, 153
9372220086	WIPER, ROD	15
9372220123	O-RING	15
9372220124	RING, BACK-UP	15
9372220126	SEAL, PISTON	15
9372220127	GUIDE, PISTON	15
9372220128	O-RING	15
9372220169	RING, WEAR	123
9372220170	POLY-PAK	123
9372220171	WIPER	123
9372220172	WIPER, ROD	139, 147, 153
9372220173	O-RING	123, 139, 147, 153
9372220175	U-CUP	139, 147, 153
9372220176	POLY-PAK	139, 147, 153
9372220177	O-RING	139, 147, 153
9372220178	RING, BACK-UP	139, 147, 153
9372220179	PLUG	139, 147, 153
9372220189	ROD	455
9372220191	WIPER, ROD	455
9372220193	WEAR-RING, HEAD	455
9372220194	HEAD	455
9372220195	WIPER, ROD	455
9372220197	RING, BACK-UP	455
9372220198	O-RING	455
9372220199	WEAR-RING, HEAD	455
9372220200	WEAR-RING, PISTON	455
9372220201	RING, PISTON	455
9372220203	O-RING	455
9372220204	WEAR-RING, PISTON	455
9372220215	RING, BACK-UP	39
9372220228	PLUG (SAE 8)	39
9372220246	ROD	15
9372220248	TUBE ASSEMBLY	15
9372220249	SEAL, HEAD	15

From - 9372220013

To - 9372220249

# Manitowoc Cranes

Numerical Index		Appendix B
Part	Description	Page
9632220061	O-RING	599
9632220062	CAP, TAMPER PROOF (GREEN)	467, 597, 598
9632220064	NUT, SEAL (M12)	598
9632220069	PLUG	599
9632220071	COVER	599
9632220072	GASKET	599
9632220074	PISTON, SHUTTLE	599
9632220075	SPRING	599
9632220076	PIN	599
9632220078	O-RING	599
9632220081	SPOOL, BI-DIRECTIONAL	599
9632220082	SCREW, SET	599
9632220084	O-RING	598, 599, 600
9632220085	NUT, LOCK	597, 598
9632220088	SCREW	599
9632220089	ADJUSTER, PRESSURE COMPENSATOR	599
9632220090	GUIDE, SPRING	598
9632220091	SPRING	598
9632220092	GUIDE, SPRING	598
9632220093	SCREW, FLAT POINT SET	598
9632220094	O-RING	597, 598, 600
9632220206	SCREW, SET	598
9632220208	PLUG	467
9632220209	SCREW, SOC HD (M10X35)	598
9632220224	O-RING	599
9632220226	SEAL, GASKET/O-RING	468
9632220228	SCREW	599
9632220230	SYNCH SHAFT ASSEMBLY	467
9632220232	KIT, PISTON RING	467
9632220286	KIT, CHARGE PRESSURE RELIEF	467
9632220484	SPRING	599
9632220485	SCREW	599
9632220502	SCREW, SOC HD (M12X35)	597, 598
9632220504	GASKET, END CAP	600
9632220505	O-RING	599
9632220635	PLUG (SPECIAL MCC)	597

From - 9632220061

To - 9632220635

CLICK HERE TO **DOWNLOAD** THE COMPLETE MANUAL

- Thank you very much for reading the preview of the manual.
- You can download the complete manual from: [www.heydownloads.com](http://www.heydownloads.com) by clicking the link below



- Please note: If there is no response to CLICKING the link, please download this PDF first and then click on it.

CLICK HERE TO **DOWNLOAD** THE COMPLETE MANUAL