

# Manitowoc

## PARTS MANUAL

This manual has been prepared for and is considered part of -

**8000**

(Tier 3 Engine)  
Crane Model Number

**8501000**

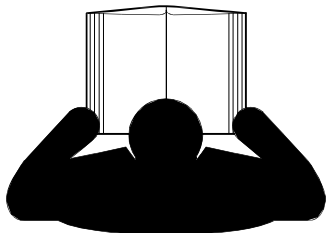
Crane Serial Number

**Model 8000 and Model 8500**  
**Tier 2 (S/N 8501001 through 8501017)**  
**Tier 3 (S/N 8501018 and up.)**

### NOTICE

The crane serial number is the only method your distributor or the factory has of providing you with correct parts and service information.

The crane serial number is identified on the crane identification label attached to the operator's cab. **Always furnish crane serial number** when ordering parts or communicating service problems with your distributor or the factory.

|   |  |
|---|--|
|  | <p style="text-align: center;"><b>! WARNING</b></p> <p><b>To prevent death or serious injury:</b></p> <ul style="list-style-type: none"><li>• Avoid unsafe operation and maintenance.<br/>Crane and attachments must be operated and maintained by trained and experienced personnel. Manitowoc is not responsible for qualifying these personnel.</li><li>• Do not operate or work on crane or attachments without first reading and understanding instructions contained in Operator Information Manual supplied with crane and applicable attachments.</li><li>• Store Operator Information Manual in operator's cab.</li><li>• If Operator Information Manual is missing from cab, contact your Manitowoc Distributor for a new one.</li></ul> |
|---|--|

CLICK HERE TO **DOWNLOAD** THE COMPLETE MANUAL

- Thank you very much for reading the preview of the manual.
- You can download the complete manual from: [www.heydownloads.com](http://www.heydownloads.com) by clicking the link below



- Please note: If there is no response to CLICKING the link, please download this PDF first and then click on it.

CLICK HERE TO **DOWNLOAD** THE COMPLETE MANUAL

# Manitowoc MACHINE COMPONENT INDEX

Date: Apr 22, 2010

Rev:

| <u>Model Number</u><br>8000 |            | <u>Serial Number</u><br>8000                   |      |
|-----------------------------|------------|--|------|
| Item                        | Part       | Description                                    | Page |
| 91                          | 9999424271 | LAMP ASSY INSTAL<br>(WITH FREE FALL)           | 589  |
| 92                          | 9999423810 | DRUM LOCK ASSY<br>(FRONT/REAR)                 | 591  |
| 93                          | 9999423809 | DRUMLOCK ASSY<br>(BOOM)                        | 593  |
| 96                          | 9999427822 | ELEC ASSY<br>(R.H. DECK)                       | 597  |
|                             | 9999427840 | JUNCTION BOX ASSY                              | 599  |
| 97                          | 9999429940 | HARNESS ASSY LH DECK                           | 603  |
| 98                          | 9999429971 | HARNESS ASSY RH DECK                           | 605  |
| 99                          | 9999428343 | ELEC ASSY<br>(REV. FRAME)                      | 609  |
|                             | 9999423588 | SWITCH ASSEMBLY - LIMIT<br>(BASE MACHINE SIDE) | 611  |
| 100                         | 9999429936 | HARNESS ASSY REV FRAME                         | 613  |
| 101                         | 9999429937 | HARNESS ASSY REV FRAME                         | 615  |
| 102                         | 9999427821 | ELEC ASSY<br>(FLOOR PLATE)                     | 619  |
| 103                         | 9999429938 | HARNESS ASSY FLOOR                             | 621  |
| 104                         | 9999429939 | HARNESS ASSY FLOOR                             | 623  |
| 105                         | 9999430694 | HARNESS ASSY FLOOR                             | 627  |
| 106                         | 9999427728 | RELAY BOX ASSY                                 | 629  |
| 107                         | 9999429976 | RELAY BOX ASSY                                 | 631  |
| 108                         | 9999430696 | RELAY BOX ASSY                                 | 633  |
| 109                         | 9999429975 | RELAY BOX ASSY                                 | 635  |
| 110                         | 9999430697 | RELAY BOX ASSY ADD RELAY                       | 637  |
| 111                         | 9999427820 | ELEC ASSY<br>(L.H. GUARD)                      | 639  |
| 112                         | 9999429935 | HARNESS ASSY LH GUARD                          | 641  |
| 113                         | 9999428351 | ELEC ASSY<br>(CAB)                             | 645  |
|                             | 9999428347 | PANEL ASSY<br>(LEFT SIDE)                      | 647  |
| 114                         | 9999429972 | HARNESS ASSY CAB                               | 649  |
| 115                         | 9999429393 | ELEC ASSY LH DECK                              | 655  |
|                             | 9999429473 | RELAY ASSY                                     | 659  |

# Manitowoc

Description

**HOIST ASSEMBLY BOOM HOIST**

Assembly No.

**9999407613**

Revision:

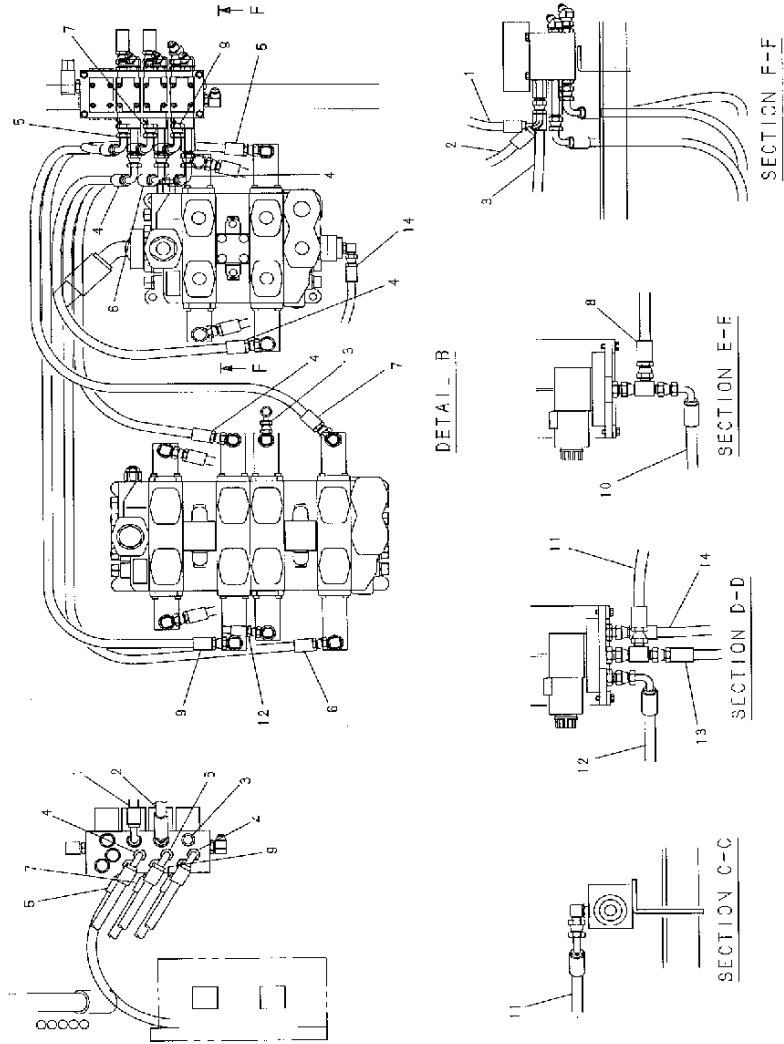
| Item | FN | Part       | Qty | Description     |
|------|----|------------|-----|-----------------|
| 3    |    | 9999424753 | 10  | CAPSCREW        |
| 4    |    | 9999424745 | 12  | CAPSCREW        |
| 5    |    | 9999423005 | 1   | SLEEVE          |
| 6    |    | 9999407620 | 1   | OIL SEAL        |
| 7    |    | 9999424644 | 1   | RING, RETAINING |
| 8    |    | 9999423006 | 1   | SPACER          |
| 9    |    | 9999423007 | 3   | PIN             |
| 10   |    | 9999424749 | 12  | CAPSCREW        |
| 11   |    | 9999423008 | 6   | WASHER, THRUST  |
| 12   |    | 9999423009 | 3   | PINION          |
| 13   |    | 9999423010 | 3   | BEARING, NEEDLE |
| 14   |    | 9999424616 | 6   | PIN             |
| 15   |    | 9999423011 | 1   | RING, RETAINING |
| 16   |    | 9999423012 | 6   | WASHER, THRUST  |
| 17   |    | 9999423013 | 3   | PINION          |
| 18   |    | 9999423014 | 6   | BEARING, NEEDLE |
| 19   |    | 9999423015 | 3   | PIN             |
| 20   |    | 9999424736 | 12  | CAPSCREW        |
| 21   |    | 9999423016 | 1   | SLEEVE          |
| 22   |    | 9999407621 | 1   | OIL SEAL        |
| 23   |    | 9999424633 | 1   | RING, RETAINING |
| 24   |    | 9999424431 | 3   | O-RING          |
| 26   |    | 9999423017 | 1   | COLLAR          |
| 27   |    | 9999424641 | 1   | RING, RETAINING |
| 28   |    | 9999423018 | 1   | RETAINER        |
| 29   |    | 9999422213 | 2   | PIN             |
| 30   |    | 9999423505 | 1   | BEARING, BALL   |
| 31   |    | 9999423036 | 1   | PLATE           |
| 32   |    | 9999423019 | 1   | RETAINER        |
| 33   |    | 9999423020 | 1   | GEAR, SUN       |
| 34   |    | 9999423021 | 3   | PLUG            |
| 35   |    | 9999423022 | 1   | SPIDER          |
| 36   |    | 9999423023 | 1   | GEAR, RING      |
| 37   |    | 9999424634 | 1   | RING, RETAINING |

# Manitowoc

Description  
**HYD LINES, DELIVERY (DELIVER)**

Assembly No.  
**9999423525**  
 Revision:

| Item | FN | Part       | Qty | Description    |
|------|----|------------|-----|----------------|
| 1    |    | 9999424443 | 4   | CLAMP, HALF    |
| 2    |    | 9999423527 | 1   | TUBE LINE      |
| 4    |    | 9999405345 | 1   | FILTER, INLINE |
| 4-1  |    | 9999405346 | 1   | BODY           |
| 4-2  |    | 9999425024 | 1   | FILTER, INLINE |
| 4-3  |    | 9999422630 | 1   | O-RING         |
| 4-4  |    | 9999422565 | 1   | RING           |
| 4-5  |    | 9999430000 | 1   | CASE           |
| 5    |    | 9999424434 | 1   | O-RING         |
| 6    |    | 9999424432 | 2   | O-RING         |
| 7    |    | 9999424423 | 1   | O-RING         |
| 8    |    | 9999424772 | 4   | CAPSCREW       |
| 9    |    | 9999421384 | 8   | CAPSCREW       |
| 10   |    | 9999424683 | 2   | CAPSCREW       |
| 11   |    | 9999424868 | 4   | LOCK WASHER    |
| 12   |    | 9999424867 | 8   | LOCK WASHER    |
| 13   |    | 9999424875 | 2   | LOCK WASHER    |
| 14   |    | 9999424498 | 1   | ELBOW, 45      |
| 15   |    | 9999424480 | 2   | CONNECTOR      |
| 16   |    | 9999424490 | 1   | ELBOW, 90      |
| 19   |    | 9999421509 | 1   | HOSE ASSY      |
| 20   |    | 9999421510 | 1   | HOSE ASSY      |



# Manitowoc

Description

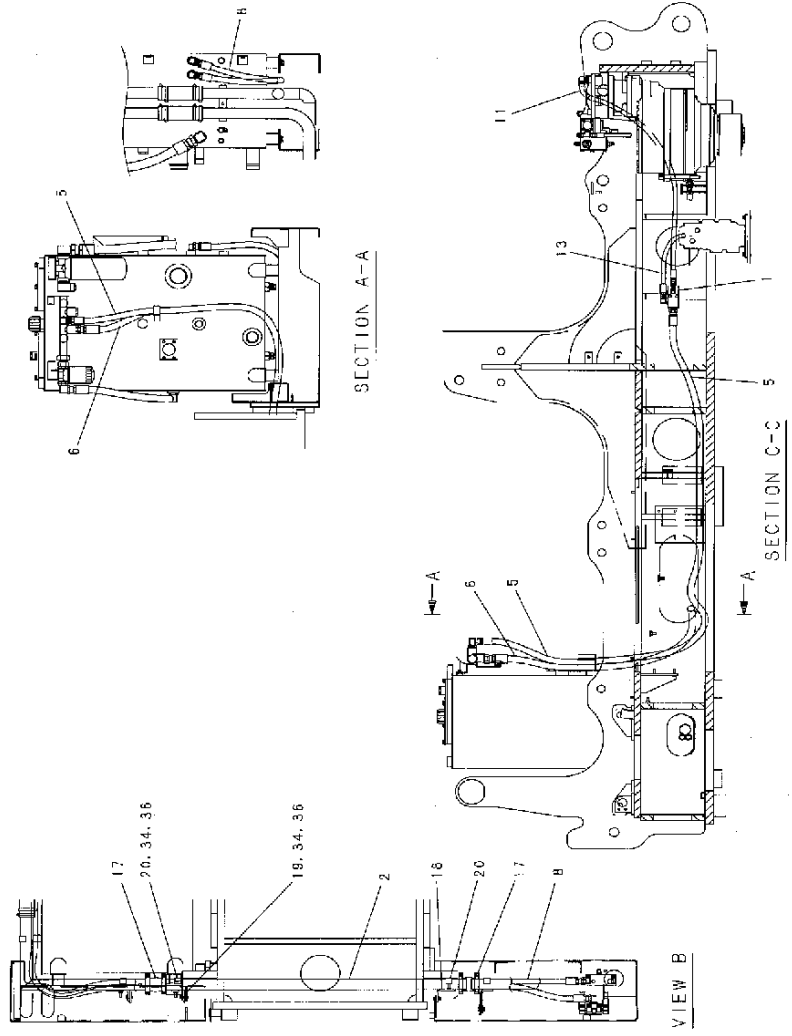
**SWING CONTROL HYD. LINES**

Assembly No.

**9999428371**

Revision:

| Item | FN | Part       | Qty | Description   |
|------|----|------------|-----|---------------|
| 3    |    | 9999424045 | 1   | ELBOW, 90     |
| 4    |    | 9999424492 | 1   | ELBOW, 90     |
| 5    |    | 9999408708 | 2   | TEE           |
| 6    |    | 9999422954 | 1   | CONNECTOR     |
| 8    |    | 9999406548 | 3   | PLUG          |
| 9    |    | 9999424423 | 1   | O-RING        |
| 10   |    | 9999424431 | 1   | O-RING        |
| 11   |    | 9999424486 | 1   | ELBOW, 90     |
| 13   |    | 9999424894 | 1   | HOSE ASSY     |
| 14   |    | 9999426213 | 1   | SENSOR, PRESS |
| 17   |    | 9999422537 | 1   | TEE           |
| 18   |    | 9999424449 | 1   | PLUG          |
| 19   |    | 9999424358 | 1   | ELBOW, 90     |



# Manitowoc

Description  
**OIL COOLER HYD.LINES**

Assembly No.  
**9999428589**  
 Revision:

| Item | FN | Part       | Qty | Description |
|------|----|------------|-----|-------------|
| 1    |    | 9999423103 | 1   | TUBE        |
| 2    |    | 9999423107 | 1   | TUBE        |
| 3    |    | 9999428786 | 1   | TUBE        |
| 4    |    | 9999428785 | 1   | TUBE        |
| 6    |    | 9999423558 | 1   | TUBE        |
| 8    |    | 9999429506 | 6   | HOSE        |
| 10   |    | 9999424376 | 24  | CLIP        |
| 12   |    | 9999427950 | 4   | BRACKET     |
| 14   |    | 9999422821 | 4   | CLAMP       |
| 15   |    | 9999424515 | 8   | SEMS-BOLT   |
| 16   |    | 9999422194 | 6   | WASHER,     |
| 17   |    | 9999424699 | 3   | CAPSCREW    |
| 18   |    | 9999421370 | 1   | CAPSCREW    |
| 19   |    | 9999424855 | 6   | WASHER,     |
| 20   |    | 9999424877 | 4   | LOCK WASHER |
| 22   |    | 9999424481 | 1   | CONNECTOR   |
| 23   |    | 9999428814 | 1   | ELBOW, 45   |
| 24   |    | 9999424448 | 1   | PLUG        |
| 25   |    | 9999424450 | 2   | PLUG        |
| 27   |    | 9999424436 | 1   | O-RING      |
| 28   |    | 9999424517 | 4   | SEMS-BOLT   |
| 29   |    | 9999423099 | 1   | BRACKET     |
| 30   |    | 9999427942 | 2   | CLAMP       |

# Manitowoc

Description  
**CONNECTOR ASSY**

Assembly No.  
**9999423226**  
Revision:

| Item | FN | Part       | Qty | Description    |
|------|----|------------|-----|----------------|
| 1    |    | 9999407874 | 1   | MANIFOLD       |
| 2    |    | 9999407988 | 2   | VALVE ASSY     |
| 3    |    | 9999408129 | 2   | SWITCH, THERMO |
| 4    |    | 9999424481 | 6   | CONNECTOR      |
| 6    |    | 9999407872 | 2   | TEE            |
| 7    |    | 9999422513 | 1   | ELBOW, 90      |
| 8    |    | 9999405230 | 2   | PLUG           |
| 9    |    | 9999424435 | 2   | O-RING         |
| 10   |    | 9999424492 | 2   | ELBOW, 90      |

# Manitowoc

Description  
**GUARD INSTAL**

Assembly No.  
**9999430556**  
Revision:

| Item | FN | Part       | Qty | Description                     |
|------|----|------------|-----|---------------------------------|
| 2    |    | 9999428008 | 1   | PLATE                           |
| 3    |    | 9999426449 | 1   | LIGHT                           |
| 3-1  |    | 9999430152 | 1   | LENS                            |
| 3-6  |    | 9999425250 | 1   | VALVE                           |
| 3-7  |    | 9999430153 | 2   | BOLT                            |
| 3-9  |    | 9999430154 | 4   | MACHINE SCR                     |
| 3-13 |    | 9999430004 | 1   | WSHR                            |
| 3-14 |    | 9999430005 | 1   | LOCK WSHR                       |
| 3-15 |    | 9999430006 | 1   | NUT                             |
| 4    |    | 9999428428 | 1   | HANDLE                          |
| 5    |    | 9999407300 | 1   | MIRROR                          |
| 5-6  |    | 9999425410 | 1   | BRACKET                         |
| 5-8  |    | 9999425411 | 1   | BOLT                            |
| 5-10 |    | 9999425412 | 1   | NUT                             |
| 5-12 |    | 9999425413 | 1   | COLLAR                          |
| 6    |    | 9999424526 | 19  | SEMS-BOLT                       |
| 7    |    | 9999423888 | 19  | PLUG                            |
| 10   |    | 9999424522 | 2   | SEMS-BOLT                       |
| 11   | +  | 9999428035 | 1   | INSULATION ASSY<br>(L.H. GUARD) |
| 14   |    | 9999422271 | 1   | GROMMET                         |
| 15   |    | 9999422274 | 1   | GROMMET                         |
| 17   |    | 9999428014 | 1   | COVER                           |
| 18   |    | 9999429464 | 1   | COVER                           |
| 20   |    | 9999428430 | 1   | COVER                           |
| 26   |    | 9999419659 | 2   | CAPSCREW                        |
| 27   |    | 9999422194 | 2   | WASHER,                         |
| 28   |    | 9999429460 | 1   | GUARD ASSY, LH                  |
| 28-2 | +  | 9999427833 | 1   | L.H. GUARD ASSY                 |
| 28-3 |    | 9999424526 | 7   | SEMS-BOLT                       |
| 28-4 | +  | 9999427841 | 1   | INSULATION ASSY<br>(L.H. GUARD) |
| 28-5 | +  | 9999427842 | 1   | INSULATION ASSY<br>(L.H. GUARD) |
| 28-7 | +  | 9999429407 | 1   | LH GUARD ASSY                   |

+ SEE FURTHER BREAKDOWN THIS GROUP

# Manitowoc

Description  
**INSULATION ASSY (L.H. GUARD)**

Assembly No.  
**9999427841**  
 Revision:

| Item | FN | Part       | Qty | Description |
|------|----|------------|-----|-------------|
| 1    |    | 9999428038 | 1   | INSULATION  |
| 3    |    | 9999428039 | 1   | INSULATION  |
| 4    |    | 9999428040 | 1   | INSULATION  |
| 5    |    | 9999428041 | 4   | INSULATION  |
| 6    |    | 9999428042 | 2   | INSULATION  |
| 7    |    | 9999428043 | 3   | INSULATION  |
| 8    |    | 9999428044 | 2   | INSULATION  |
| 10   |    | 9999428045 | 1   | INSULATION  |
| 11   |    | 9999428046 | 1   | INSULATION  |
| 12   |    | 9999428047 | 3   | INSULATION  |
| 13   |    | 9999428048 | 1   | INSULATION  |
| 14   |    | 9999428049 | 1   | INSULATION  |
| 15   |    | 9999428050 | 1   | INSULATION  |
| 17   |    | 9999428051 | 3   | INSULATION  |
| 18   |    | 9999428052 | 2   | INSULATION  |
| 19   |    | 9999428053 | 3   | INSULATION  |
| 20   |    | 9999423435 | 1   | INSULATION  |
| 21   |    | 9999429474 | 1   | INSULATION  |
| 22   |    | 9999429475 | 1   | INSULATION  |
| 23   |    | 9999428054 | 1   | INSULATION  |
| 26   |    | 9999428057 | 1   | INSULATION  |
| 28   |    | 9999428059 | 2   | INSULATION  |
| 31   |    | 9999428062 | 1   | INSULATION  |
| 37   |    | 9999428068 | 1   | INSULATION  |
| 38   |    | 9999428069 | 1   | INSULATION  |
| 40   |    | 9999423444 | 1   | INSULATION  |
| 42   |    | 9999428070 | 2   | INSULATION  |
| 43   |    | 9999428071 | 1   | INSULATION  |
| 44   |    | 9999428072 | 1   | INSULATION  |
| 45   |    | 9999427921 | 18  | WASHER,     |
| 46   |    | 9999428073 | 1   | INSULATION  |

# Manitowoc

Description  
L.H. GUARD ASSY

Assembly No.  
**9999427833**  
Revision:

| Item | FN | Part       | Qty | Description |
|------|----|------------|-----|-------------|
| 1    |    | 9999425973 | 1   | COVER       |
| 2    |    | 9999427993 | 1   | COVER       |
| 4    |    | 9999427999 | 1   | COVER       |
| 5    |    | 9999427994 | 1   | BRACKET     |
| 6    |    | 9999427995 | 1   | BRACKET     |
| 7    |    | 9999427996 | 1   | BRACKET     |
| 8    |    | 9999427992 | 1   | COVER       |
| 12   |    | 9999424526 | 11  | SEMS-BOLT   |

# Manitowoc

Description  
LH GUARD ASSY

Assembly No.  
**9999429407**  
Revision:

| Item | FN | Part       | Qty | Description |
|------|----|------------|-----|-------------|
| 1    |    | 9999427980 | 1   | DOOR        |
| 2    |    | 9999427981 | 2   | DOOR        |
| 3    |    | 9999427982 | 2   | DOOR        |
| 6    |    | 9999427984 | 1   | COVER       |
| 7    |    | 9999427985 | 1   | COVER       |
| 8    |    | 9999428017 | 1   | COVER       |
| 14   |    | 9999427987 | 1   | PANEL       |
| 17   |    | 9999427989 | 1   | PILLAR      |
| 18   |    | 9999425537 | 1   | PILLAR      |
| 19   |    | 9999427990 | 1   | PILLAR      |
| 20   |    | 9999428006 | 1   | PILLAR      |
| 21   |    | 9999427991 | 1   | BRACKET     |
| 22   |    | 9999427998 | 1   | COVER       |
| 23   |    | 9999425288 | 5   | STAY        |
| 24   |    | 9999424553 | 2   | NUT         |
| 25   |    | 9999429991 | 1   | TRIM        |
| 26   |    | 9999428007 | 1   | BRACKET     |
| 27   |    | 9999424526 | 78  | SEMS-BOLT   |
| 28   |    | 9999424510 | 12  | SEMS-BOLT   |
| 29   |    | 9999422194 | 14  | WASHER,     |
| 30   |    | 9999424598 | 5   | PIN, SPLIT  |
| 31   |    | 9999424846 | 5   | WASHER,     |
| 32   |    | 9999424855 | 5   | WASHER,     |
| 33   |    | 9999424877 | 4   | LOCK WASHER |
| 34   |    | 9999424511 | 2   | SEMS-BOLT   |
| 35   |    | 9999428286 | 1   | BRACKET     |
| 36   |    | 9999428015 | 1   | COVER       |
| 37   |    | 9999428018 | 1   | COVER       |
| 38   |    | 9999429992 | 4   | TRIM        |
| 40   |    | 9999429466 | 1   | PANEL       |
| 41   |    | 9999429465 | 1   | PANEL       |
| 42   |    | 9999423315 | 2   | CAPSCREW    |
| 44   |    | 9999429462 | 1   | PANEL       |
| 45   |    | 9999429467 | 1   | COVER       |

# Manitowoc

Description  
**COVER ASSY, DRUM**

Assembly No.  
**9999423379**  
Revision:

| Item | FN | Part       | Qty | Description |
|------|----|------------|-----|-------------|
| 1    |    | 9999423397 | 1   | COVER       |
| 2    |    | 9999423398 | 1   | COVER       |
| 3    |    | 9999423399 | 1   | COVER       |
| 6    |    | 9999423401 | 2   | BRACKET     |
| 7    |    | 9999423402 | 2   | BRACKET     |
| 14   |    | 9999424576 | 2   | NUT         |
| 19   |    | 9999427438 | 2   | COVER       |
| 20   |    | 9999427434 | 1   | COVER       |
| 21   |    | 9999427429 | 1   | COVER       |
| 22   |    | 9999427431 | 1   | COVER       |
| 23   |    | 9999427433 | 1   | COVER       |
| 24   |    | 9999427430 | 1   | COVER       |
| 25   |    | 9999427432 | 1   | COVER       |

# Manitowoc

Description

**RH DECK INSTAL CAB BTM**

Assembly No.

**9999429542**

Revision:

| Item | FN | Part       | Qty | Description |
|------|----|------------|-----|-------------|
| 3    |    | 9999424209 | 1   | STEP        |
| 4    |    | 9999424725 | 6   | CAPSCREW    |
| 5    |    | 9999424840 | 6   | WASHER,     |
| 6    |    | 9999424515 | 6   | SEMS-BOLT   |
| 7    |    | 9999422194 | 6   | WASHER,     |
| 8    |    | 9999423315 | 2   | CAPSCREW    |
| 9    |    | 9999424877 | 2   | LOCK WASHER |
| 12   |    | 9999428313 | 1   | GROMMET     |
| 14   |    | 9999427938 | 1   | TRIM        |
| 15   |    | 9999428326 | 6   | CAPSCREW    |
| 16   |    | 9999420396 | 6   | WASHER,     |
| 17   |    | 9999424869 | 6   | LOCK WASHER |
| 18   | +  | 9999429558 | 1   | STEP ASSY   |

+ SEE FURTHER BREAKDOWN THIS GROUP

# Manitowoc

Description  
**COVER ASSY, DRUM 16mm ROPE DRUM**

Assembly No.  
**9999430557**  
 Revision:

| Item | FN | Part       | Qty | Description      |
|------|----|------------|-----|------------------|
| 2    |    | 9999423388 | 1   | PIN              |
| 3    |    | 9999423389 | 1   | PIN              |
| 4    |    | 9999423375 | 1   | COVER ASSY, DRUM |
| 4-1  |    | 9999425546 | 1   | COVER            |
| 4-2  |    | 9999425548 | 1   | COVER            |
| 4-4  |    | 9999425550 | 1   | BRACKET          |
| 4-5  |    | 9999425549 | 1   | BRACKET          |
| 4-9  |    | 9999408017 | 2   | PLATE            |
| 9    |    | 9999424523 | 1   | SEMS-BOLT        |
| 10   |    | 9999424526 | 13  | SEMS-BOLT        |
| 11   |    | 9999419814 | 4   | PIN              |
| 12   |    | 9999420407 | 4   | WASHER,          |
| 19   |    | 9999430485 | 1   | COVER            |

# Manitowoc

Description

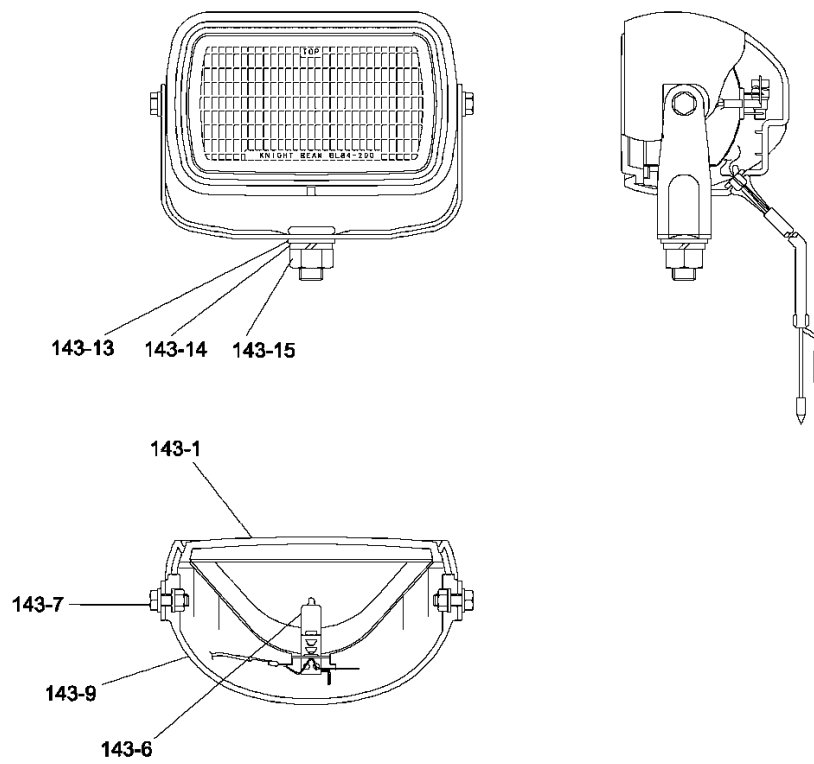
**LUB. LINES (FRONT/REAR)**

Assembly No.

**9999423794**

Revision:

| Item | FN | Part       | Qty | Description    |
|------|----|------------|-----|----------------|
| 1    |    | 9999422265 | 1   | HOSE ASSY      |
| 2    |    | 9999422261 | 1   | HOSE ASSY      |
| 3    |    | 9999424493 | 2   | ELBOW, 90      |
| 4    |    | 9999421342 | 2   | NIPPLE, GREASE |
| 5    |    | 9999424391 | 1   | CLIP           |
| 6    |    | 9999424404 | 1   | CLIP           |
| 7    |    | 9999424565 | 2   | NUT            |
| 8    |    | 9999424876 | 2   | LOCK WASHER    |
| 9    |    | 9999424453 | 1   | PLUG           |
| 10   |    | 9999423796 | 1   | BRACKET        |
| 11   |    | 9999424510 | 2   | SEMS-BOLT      |
| 12   |    | 9999424856 | 2   | WASHER,        |



DETAIL ITEM 143

173 : SHEET RUBBER / NOT SHOWN  
185 : HARNESS / NOT SHOWN

# Manitowoc

Description  
**SASH ASSY**

Assembly No.  
**9999422656**  
Revision:

| Item | FN | Part       | Qty | Description |
|------|----|------------|-----|-------------|
| 2    |    | 9999425307 | 1   | GLASS       |
| 3    |    | 9999425308 | 1   | GLASS       |
| 4    |    | 9999425309 | 2   | LOCK ASSY   |
| 5    |    | 9999425310 | 1   | TRIM        |
| 6    |    | 9999425311 | 1   | TRIM        |
| 7    |    | 9999425312 | 1   | CHANNEL     |
| 8    |    | 9999425313 | 1   | STOPPER     |
| 9    |    | 9999425314 | 1   | STOPPER     |
| 10   |    | 9999425315 | 1   | STOPPER     |
| 11   |    | 9999425316 | 1   | STOPPER     |
| 12   |    | 9999425317 | 1   | BASE        |

# Manitowoc

Description  
**DOOR ASSY**

Assembly No.  
**9999427382**  
Revision:

| Item  | FN | Part       | Qty | Description    |
|-------|----|------------|-----|----------------|
| 97-5  |    | 9999427349 | 1   | ROD            |
| 97-6  |    | 9999427749 | 2   | NUT            |
| 97-7  |    | 9999424548 | 2   | NUT            |
| 97-8  |    | 9999427343 | 1   | NUT            |
| 97-9  |    | 9999424550 | 1   | NUT            |
| 97-10 |    | 9999427344 | 1   | HOLDER         |
| 97-11 |    | 9999427348 | 2   | HOLDER         |
| 97-12 |    | 9999427369 | 1   | SEAL           |
| 98    |    | 9999427345 | 1   | ROD            |
| 99    |    | 9999427392 | 1   | ROD            |
| 100   |    | 9999427393 | 1   | ROD            |
| 101   |    | 9999427350 | 1   | RUBBER         |
| 102   |    | 9999427351 | 3   | HOLDER         |
| 103   |    | 9999427338 | 4   | WASHER,        |
| 104   |    | 9999427369 | 1   | SEAL           |
| 105   |    | 9999427754 | 10  | CLIP           |
| 106   |    | 9999427396 | 2   | STRIP, WEATHER |
| 107   |    | 9999427340 | 1   | STRIP, WEATHER |

# Manitowoc

Description  
**COVER ASSY**

Assembly No.  
**9999423408**  
Revision:

| Item | FN | Part       | Qty | Description |
|------|----|------------|-----|-------------|
| 2    |    | 9999423626 | 1   | COVER       |
| 3    |    | 9999423386 | 1   | COVER       |

# Manitowoc

Description  
**DRUMLOCKLUB.LINES**

Assembly No.  
**9999408332**  
Revision:

| Item | FN | Part       | Qty | Description    |
|------|----|------------|-----|----------------|
| 1    |    | 9999422268 | 1   | HOSE ASSY      |
| 3    |    | 9999424493 | 1   | ELBOW, 90      |
| 4    |    | 9999421342 | 1   | NIPPLE, GREASE |
| 5    |    | 9999424391 | 4   | CLIP           |
| 7    |    | 9999424565 | 2   | NUT            |
| 8    |    | 9999424876 | 2   | LOCK WASHER    |
| 9    |    | 9999424856 | 2   | WASHER,        |

# Manitowoc

Description  
**HYD.LINES ASSY**

Assembly No.  
**9999425490**  
 Revision:

| Item | FN | Part       | Qty | Description                          |
|------|----|------------|-----|--------------------------------------|
| 1    |    | 9999408123 | 1   | HOSE ASSY                            |
| 2    |    | 9999425593 | 1   | HOSE ASSY                            |
| 3    |    | 9999420588 | 1   | HOSE ASSY                            |
| 4    |    | 9999424949 | 1   | HOSE ASSY                            |
| 5    |    | 9999424084 | 4   | CLAMP, HALF                          |
| 6    |    | 9999424435 | 2   | O-RING                               |
| 7    |    | 9999421376 | 8   | CAPSCREW                             |
| 8    |    | 9999421387 | 8   | LOCK WASHER                          |
| 10   |    | 9999424492 | 1   | ELBOW, 90                            |
| 11   |    | 9999408698 | 1   | CONNECTOR                            |
| 12   |    | 9999421439 | 1   | VALVE ASSY, CHECK                    |
| 13   |    | 9999424068 | 1   | ELBOW, 45                            |
| 14   |    | 9999422540 | 1   | TEE                                  |
| 15   |    | 9999424486 | 3   | ELBOW, 90                            |
| 16   |    | 9999421511 | 1   | HOSE ASSY, AIR COMPRESSOR 1/2" X 72" |
| 17   |    | 9999424888 | 1   | HOSE ASSY                            |
| 18   |    | 9999422660 | 1   | CONNECTOR                            |
| 19   |    | 9999424475 | 1   | CONNECTOR                            |
| 20   |    | 9999424482 | 1   | CONNECTOR                            |
| 21   |    | 9999424424 | 2   | O-RING                               |
| 22   |    | 9999406275 | 10  | CLIP                                 |

# Manitowoc

Description

**HYDRAULIC LINES INSTALLATION-CARRIER**

Assembly No.

**9999408205**

Revision:

| Item | FN | Part       | Qty | Description    |
|------|----|------------|-----|----------------|
| 1    |    | 9999423243 | 1   | CONNECTOR ASSY |
| 2    |    | 9999407881 | 1   | HOSE ASSY      |
| 3    |    | 9999407883 | 1   | HOSE ASSY      |
| 4    |    | 9999406275 | 1   | CLIP           |

# Manitowoc

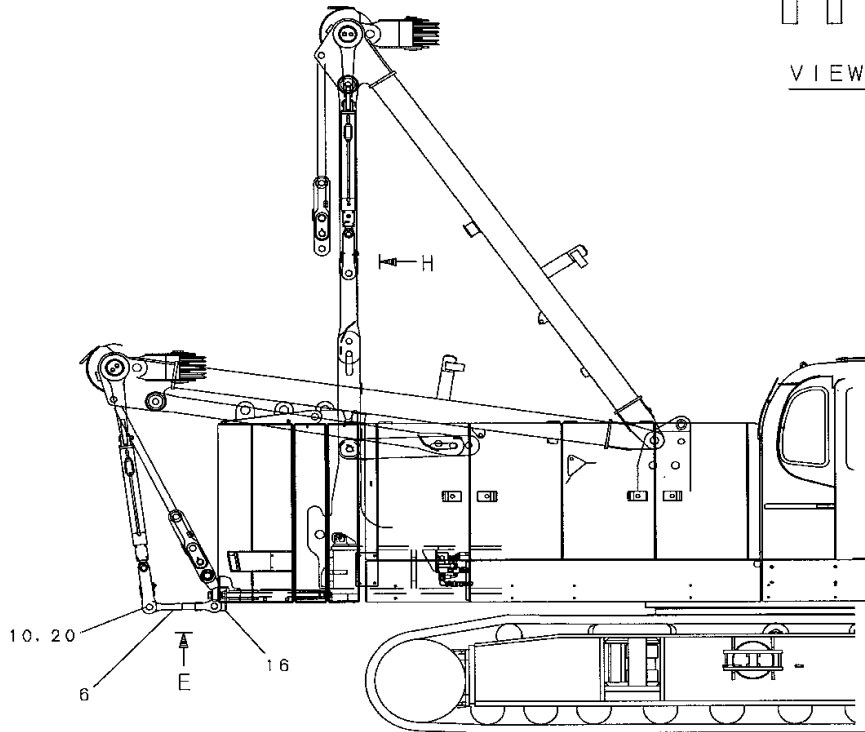
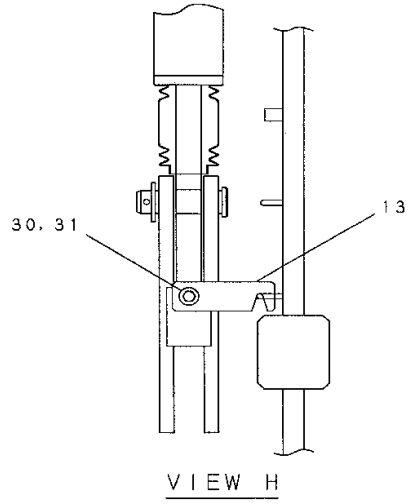
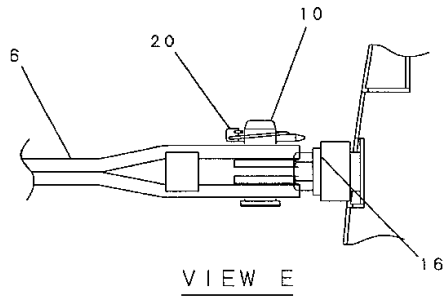
Description  
**FRAME ASSY UPP**

Assembly No.  
**9999429958**  
Revision:

| Item | FN | Part       | Qty | Description |
|------|----|------------|-----|-------------|
| 10   | +  | 9999428591 | 1   | RUBBER ASSY |
| 13   |    | 9999430094 | 1   | FRAME, UPP  |
| 14   |    | 9999430095 | 2   | BUSHING     |

+ SEE FURTHER BREAKDOWN THIS GROUP

# Manitowoc



# Manitowoc

Description  
**HYD LINES, CW (OPTION)**

Assembly No.  
**9999428583**  
 Revision:

| Item | FN | Part       | Qty | Description |
|------|----|------------|-----|-------------|
| 1    |    | 9999423411 | 2   | BLOCK       |
| 2    |    | 9999424933 | 2   | HOSE ASSY   |
| 3    |    | 9999424932 | 2   | HOSE ASSY   |
| 4    |    | 9999424928 | 4   | HOSE ASSY   |
| 6    |    | 9999424497 | 8   | ELBOW, 45   |
| 7    |    | 9999424405 | 17  | CLIP        |
| 8    |    | 9999419662 | 4   | SEMS-BOLT   |
| 10   |    | 9999424567 | 7   | NUT         |
| 11   |    | 9999424877 | 16  | LOCK WASHER |
| 12   |    | 9999424049 | 2   | CONNECTOR   |
| 14   |    | 9999424488 | 4   | ELBOW, 90   |
| 15   |    | 9999428023 | 2   | CONNECTOR   |
| 16   |    | 9999424692 | 4   | CAPSCREW    |
| 17   |    | 9999424855 | 9   | WASHER,     |
| 18   |    | 9999424693 | 5   | BOLT        |

# Manitowoc

Description

**AIR CONDITIONER UNIT**

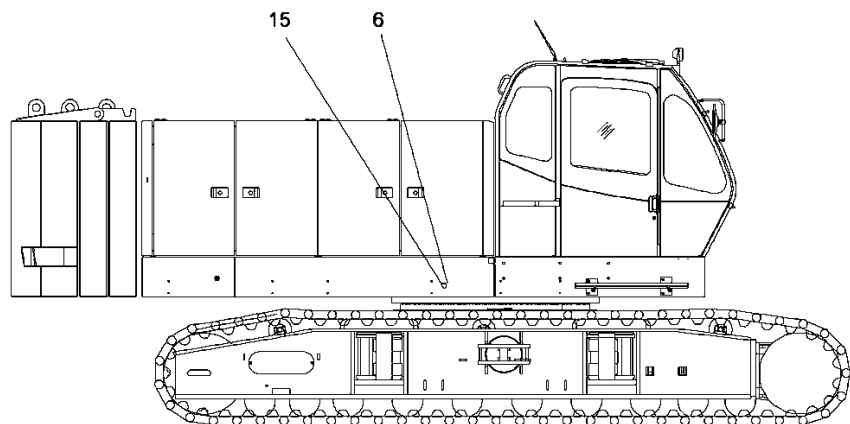
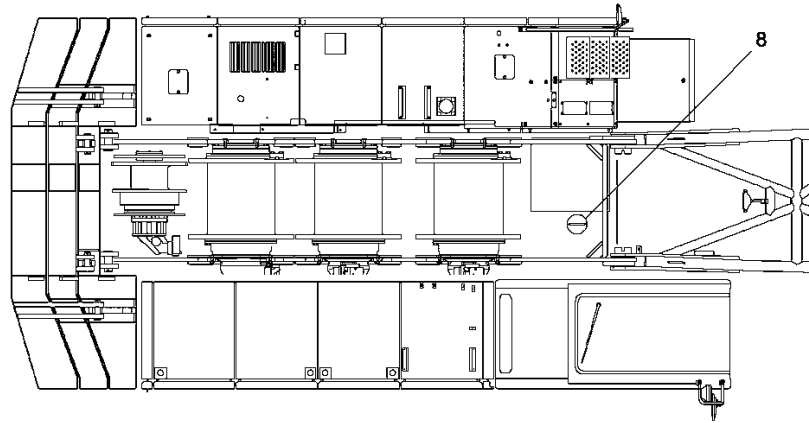
Assembly No.

**9999423252**

Revision:

| Item | FN | Part       | Qty | Description |
|------|----|------------|-----|-------------|
| 70   |    | 9999421795 | 3   | CLIP        |
| 71   |    | 9999421812 | 1   | HOLDER      |
| 72   |    | 9999401241 | 1   | CLAMP       |
| 73   |    | 9999421813 | 2   | CLIP        |
| 74   |    | 9999422856 | 2   | CLAMP       |

# Manitowoc



# Manitowoc

Description

**MIRROR**

Assembly No.

**9999407300**

Revision:

| Item | FN | Part       | Qty | Description |
|------|----|------------|-----|-------------|
| 6    |    | 9999425410 | 1   | BRACKET     |
| 8    |    | 9999425411 | 1   | BOLT        |
| 10   |    | 9999425412 | 1   | NUT         |
| 12   |    | 9999425413 | 1   | COLLAR      |

# Manitowoc

Description

**CALL ASSY/ONE-WAY (OPTION)**

Assembly No.

**9999425415**

Revision:

| Item | FN | Part       | Qty | Description |
|------|----|------------|-----|-------------|
| 13   |    | 9999425416 | 1   | COVER       |
| 16   |    | 9999424537 | 4   | SEMS-BOLT   |

# Manitowoc

Description

**MIRROR INSTAL (OPTION)**

Assembly No.

**9999425599**

Revision:

| Item | FN | Part       | Qty | Description |
|------|----|------------|-----|-------------|
| 1    |    | 9999425600 | 1   | STAY        |
| 2    |    | 9999425410 | 2   | BRACKET     |
| 3    |    | 9999425411 | 2   | BOLT        |
| 4    |    | 9999425412 | 2   | NUT         |
| 5    |    | 9999425413 | 2   | COLLAR      |

# Manitowoc

Description  
**HANDRAIL ASM (8500)**

Assembly No.  
**90012731**  
Revision:

| Item | FN | Part       | Qty | Description |
|------|----|------------|-----|-------------|
| 1    |    | 9999430123 | 1   | HANDRAIL    |
| 2    |    | 9999430124 | 2   | HANDRAIL    |
| 3    |    | 9999430125 | 1   | HANDRAIL    |
| 6    |    | 9999430128 | 2   | CLAMP       |
| 7    |    | 9999419880 | 8   | PIN         |
| 8    |    | 9999400165 | 8   | PIN, SPLIT  |
| 9    |    | 9999424526 | 12  | SEMS-BOLT   |
| 10   |    | 9999430160 | 2   | CAPSCR      |
| 11   |    | 9999424855 | 4   | WASHER,     |
| 12   |    | 9999424877 | 2   | LOCK WASHER |
| 13   |    | 9999424567 | 2   | NUT         |

# Manitowoc

Description  
**PLATFORM ASSY, AUX**

Assembly No.  
**9999429952**  
Revision:

| Item | FN | Part       | Qty | Description       |
|------|----|------------|-----|-------------------|
| 12   |    | 9999424713 | 12  | CAPSCREW          |
| 13   |    | 9999426498 | 14  | BOLT              |
| 14   |    | 9999425171 | 26  | WASHER,           |
| 15   |    | 9999424878 | 26  | LOCK WASHER       |
| 22   | +  | 9999429953 | 1   | PLATFORM ASSY AUX |
| 23   |    | 9999402773 | 24  | WASHER,           |

+ SEE FURTHER BREAKDOWN THIS GROUP

# Manitowoc

Description

**PANEL ASSY DUST PROOF PANEL**

Assembly No.

**9999429946**

Revision:

| Item | FN | Part       | Qty | Description |
|------|----|------------|-----|-------------|
| 1    |    | 9999430111 | 3   | PANEL       |
| 2    |    | 9999430112 | 1   | PANEL       |
| 3    |    | 9999430113 | 1   | PANEL       |
| 4    |    | 9999430064 | 1   | PANEL       |
| 5    |    | 9999424526 | 20  | SEMS-BOLT   |
| 6    |    | 9999430065 | 1   | COVER       |

# Manitowoc

Description

**SENSOR**

Assembly No.

**9999422717**

Revision:

| Item | FN | Part       | Qty | Description |
|------|----|------------|-----|-------------|
| 1    |    | 9999430017 | 1   | SENSOR      |
| 2    |    | 9999430018 | 1   | CABLE       |
| 3    |    | 9999430019 | 1   | TUBE        |
| 4    |    | 9999406224 | 1   | CONNECTOR   |
| 5    |    | 9999425294 | 2   | TERMINAL    |
| 6    |    | 9999406232 | 1   | HOLDER      |
| 7    |    | 9999406231 | 2   | SEAL        |

# Manitowoc

Description

**SWING REDUCT INSTAL**

Assembly No.

**9999425571**

Revision:

| Item | FN | Part       | Qty | Description         |
|------|----|------------|-----|---------------------|
| 1    | +  | 9999421465 | 1   | SWING REDUCT INSTAL |
| 1-3  |    | 9999422558 | 1   | O-RING              |
| 1-4  |    | 9999424719 | 4   | CAPSCREW            |
| 2    |    | 9999408820 | 24  | CAPSCREW            |

+ SEE FURTHER BREAKDOWN THIS GROUP

# Manitowoc

Description  
**MOTOR ASSY, SWING**

Assembly No.  
**9999430461**  
Revision:

| Item | FN | Part       | Qty | Description |
|------|----|------------|-----|-------------|
| 1    |    | 9999406802 | 1   | MOTOR, HYD. |

# Manitowoc

Description

**5-SECTION VALVE INSTAL**

Assembly No.

**9999426184**

Revision:

| Item | FN | Part       | Qty | Description          |
|------|----|------------|-----|----------------------|
| 1    |    | 9999421489 | 1   | VALVE ASSY, SOLENOID |
| 4    |    | 9999424477 | 4   | CONNECTOR            |
| 5    |    | 9999424497 | 4   | ELBOW, 45            |
| 6    |    | 9999424897 | 4   | HOSE ASSY            |
| 8    |    | 9999424953 | 1   | HOSE ASSY            |
| 9    |    | 9999430611 | 1   | TEE                  |
| 10   |    | 9999424767 | 2   | CAPSCREW             |
| 11   |    | 9999424867 | 2   | LOCK WASHER          |
| 14   |    | 9999424448 | 1   | PLUG                 |

# Manitowoc

Description

**BRAKE CONTROL HYD.LINES**

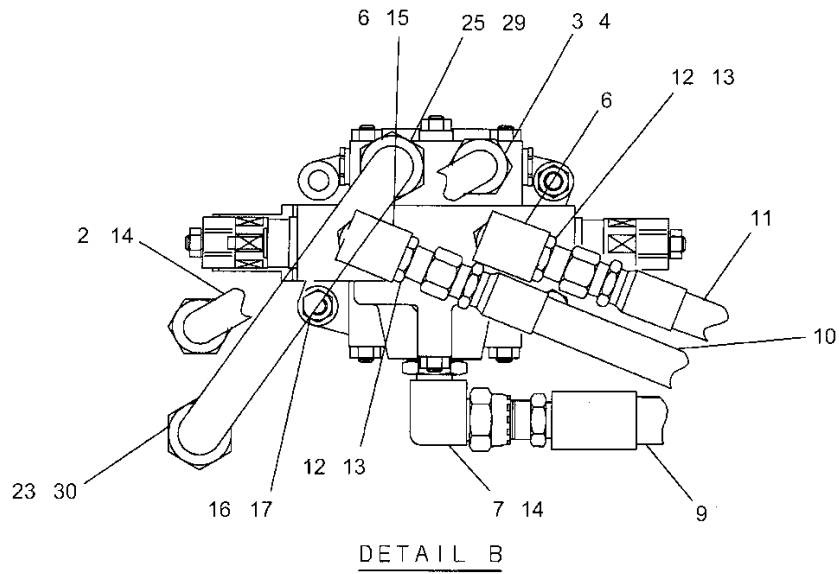
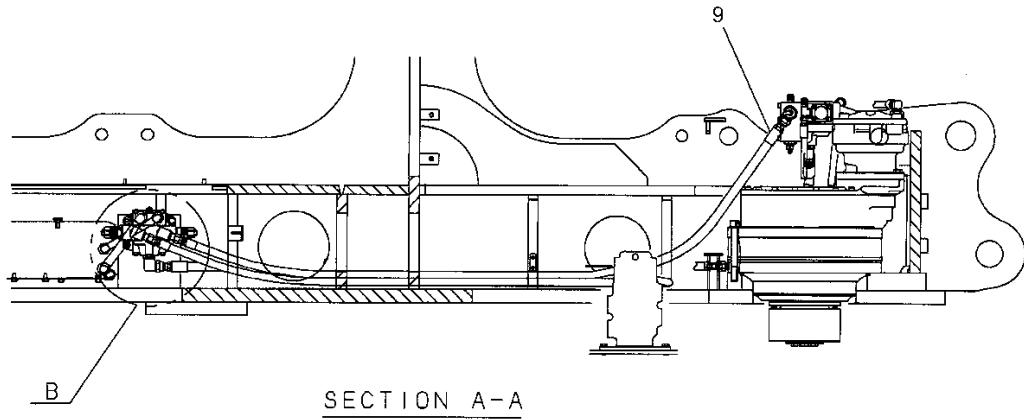
Assembly No.

**9999427742**

Revision:

| Item | FN | Part       | Qty | Description                              |
|------|----|------------|-----|--|
| 2    | +  | 9999424264 | 1   | VALVE INSTALLATION                       |
| 3    | +  | 9999424193 | 1   | RETURN BLOCK HYD. LINES<br>HYD.LINES     |
| 5    | +  | 9999424119 | 1   | ACCUMULATOR INSTALLATION<br>LINES        |
| 5-4  |    | 9999424479 | 1   | CONNECTOR                                |
| 5-7  |    | 9999424449 | 1   | PLUG                                     |
| 5-12 |    | 9999422537 | 1   | TEE                                      |
| 8    | +  | 9999425647 | 1   | 4-SECTION VALVE ASSY<br>(WITH FREE FALL) |

+ SEE FURTHER BREAKDOWN THIS GROUP

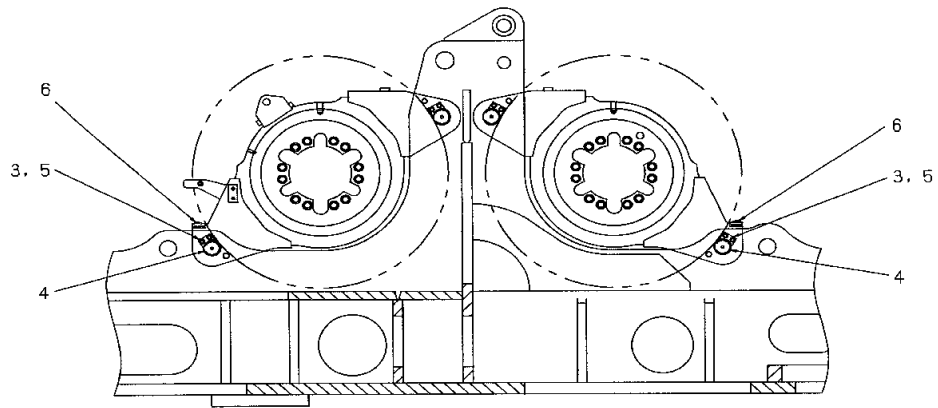


# Manitowoc

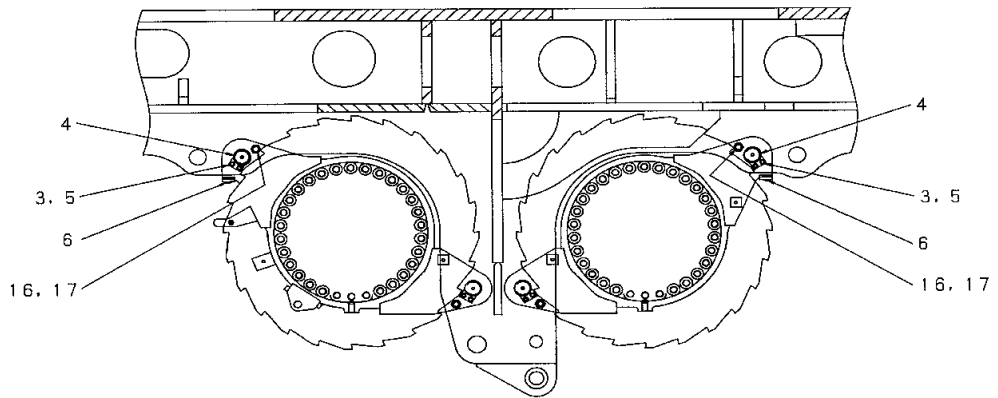
Description  
**SWIVEL JOINT INSTAL**

Assembly No.  
**9999423677**  
 Revision:

| Item | FN | Part       | Qty | Description |
|------|----|------------|-----|-------------|
| 5    |    | 9999408196 | 1   | SUPPORT     |
| 6    |    | 9999421104 | 2   | HOSE ASSY   |
| 7    |    | 9999419460 | 2   | CONNECTOR   |
| 8    |    | 9999424487 | 1   | ELBOW, 90   |
| 9    |    | 9999419461 | 2   | CONNECTOR   |
| 11   |    | 9999405235 | 1   | TEE         |
| 12   |    | 9999424502 | 1   | TEE         |
| 13   |    | 9999423680 | 1   | TUBE        |
| 14   |    | 9999423681 | 1   | TUBE        |
| 15   |    | 9999423682 | 1   | TUBE        |
| 16   |    | 9999423683 | 1   | TUBE        |
| 17   |    | 9999424444 | 8   | FLANGE      |
| 19   |    | 9999420190 | 1   | CAPSCREW    |
| 20   |    | 9999419669 | 4   | SEMS-BOLT   |
| 21   |    | 9999424772 | 16  | CAPSCREW    |
| 22   |    | 9999424708 | 16  | CAPSCREW    |
| 23   |    | 9999424570 | 1   | NUT         |
| 24   |    | 9999421387 | 16  | LOCK WASHER |
| 25   |    | 9999424868 | 16  | LOCK WASHER |
| 26   |    | 9999425036 | 2   | O-RING      |
| 27   |    | 9999424434 | 8   | O-RING      |
| 28   |    | 9999424430 | 2   | O-RING      |
| 29   |    | 9999424424 | 4   | O-RING      |
| 30   |    | 9999424479 | 1   | CONNECTOR   |
| 31   |    | 9999421157 | 2   | HOSE ASSY   |
| 32   |    | 9999421152 | 2   | HOSE ASSY   |
| 33   |    | 9999421128 | 2   | HOSE ASSY   |
| 34   |    | 9999421134 | 2   | HOSE ASSY   |



SECTION D-D



SECTION E-E

# Manitowoc

Description

**HOIST ASSEMBLY (FRONT)**

Assembly No.

**9999422994**

Revision:

| Item | FN | Part       | Qty | Description |
|------|----|------------|-----|-------------|
| 3    |    | 9999429442 | 1   | PLATE       |
| 4    |    | 9999429443 | 1   | PLATE       |
| 5    |    | 9999424662 | 20  | CAPSCREW    |
| 6    |    | 9999424752 | 12  | CAPSCREW    |
| 7    |    | 9999424751 | 4   | CAPSCREW    |
| 8    |    | 9999419261 | 1   | O-RING      |

# Manitowoc

## Notes

---

# Manitowoc

Description

**HYDRAULIC LINES INSTALLATION-CARRIER**

Assembly No.

**9999423172**

Revision:

| Item | FN | Part       | Qty | Description |
|------|----|------------|-----|-------------|
| 1    |    | 9999424911 | 2   | HOSE ASSY   |
| 6    |    | 9999424477 | 2   | CONNECTOR   |

# Manitowoc

Description  
**CONTROL ASSY**

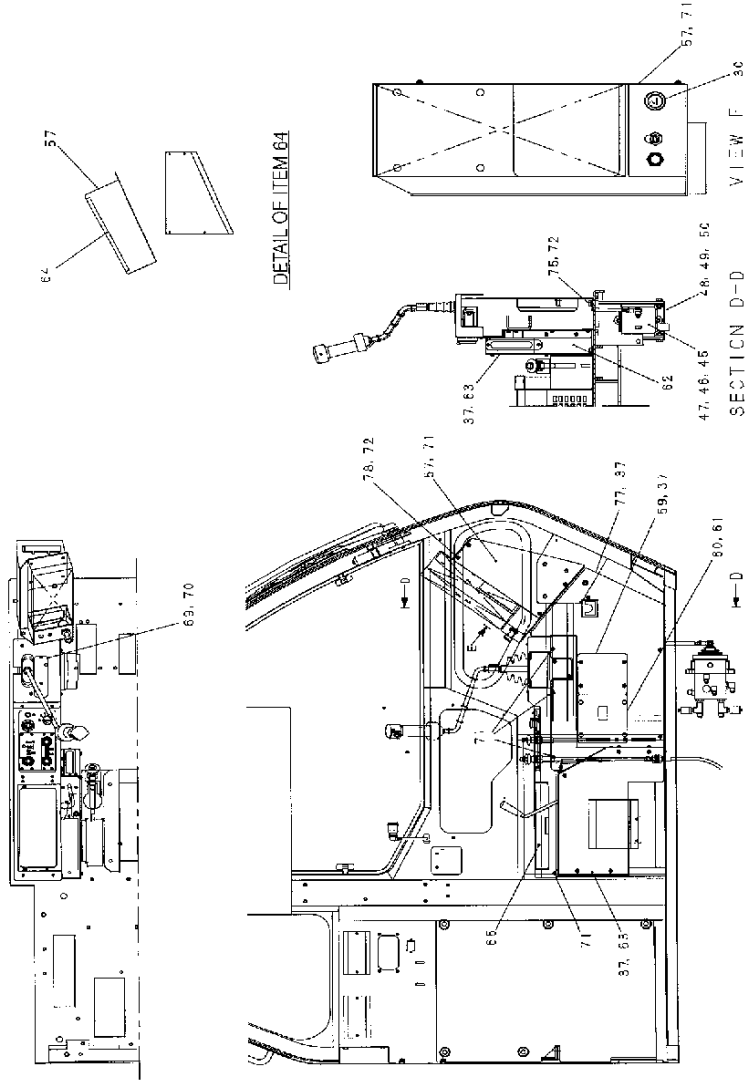
Assembly No.  
**9999427900**  
Revision:

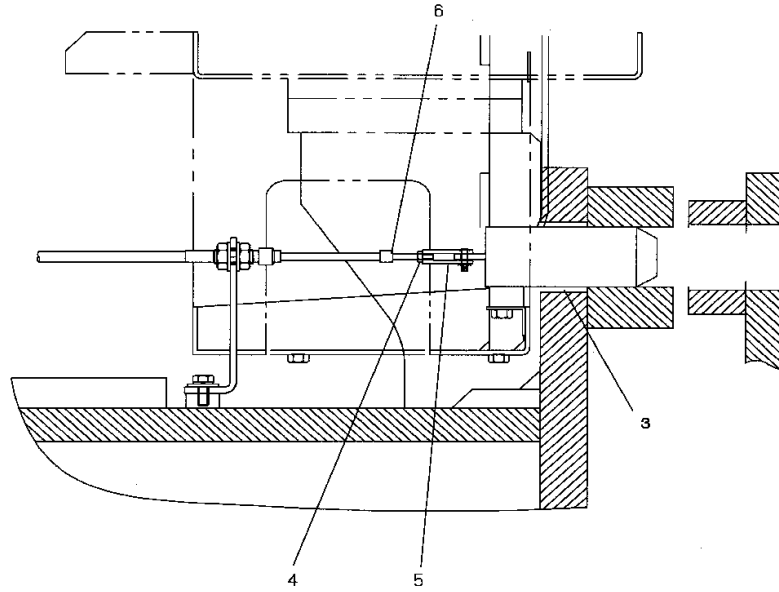
| Item | FN | Part       | Qty | Description      |
|------|----|------------|-----|------------------|
| 3    |    | 9999424128 | 1   | SUPPORT          |
| 4    |    | 9999406624 | 1   | BRACKET          |
| 5    |    | 9999422319 | 2   | GROMMET          |
| 10   |    | 9999424855 | 7   | WASHER,          |
| 11   |    | 9999424839 | 6   | WASHER,          |
| 15   |    | 9999404033 | 1   | TRIM             |
| 16   |    | 9999404032 | 2   | TRIM             |
| 17   |    | 9999422417 | 2   | TRIM             |
| 18   |    | 9999404035 | 2   | TRIM             |
| 19   |    | 9999422418 | 2   | TRIM             |
| 23   |    | 9999423372 | 1   | CONTROL BOX ASSY |
| 23-3 |    | 9999429997 | 1   | CONNECTOR        |
| 23-4 |    | 9999405899 | 9   | TERMINAL         |
| 23-5 |    | 90011634   | 3   | POTENTIOMETER    |
| 23-6 |    | 9999407991 | 3   | KNOB             |
| 23-7 |    | 9999430601 | 3   | RESISTOR         |
| 24   |    | 9999424537 | 2   | SEMS-BOLT        |
| 25   |    | 9999423851 | 1   | BRACKET          |
| 26   |    | 9999424526 | 2   | SEMS-BOLT        |
| 28   |    | 9999424693 | 7   | BOLT             |
| 29   |    | 9999424877 | 7   | LOCK WASHER      |
| 30   |    | 9999425361 | 1   | TRIM             |
| 31   |    | 9999425362 | 2   | TRIM             |
| 32   |    | 9999425363 | 1   | TRIM             |
| 33   |    | 9999425364 | 2   | TRIM             |
| 34   |    | 9999424523 | 12  | SEMS-BOLT        |
| 35   |    | 9999428289 | 1   | BRACKET          |
| 42   |    | 9999424575 | 6   | U-NUT            |
| 43   |    | 9999430155 | 6   | MOUNT, RUBBER    |

# Manitowoc

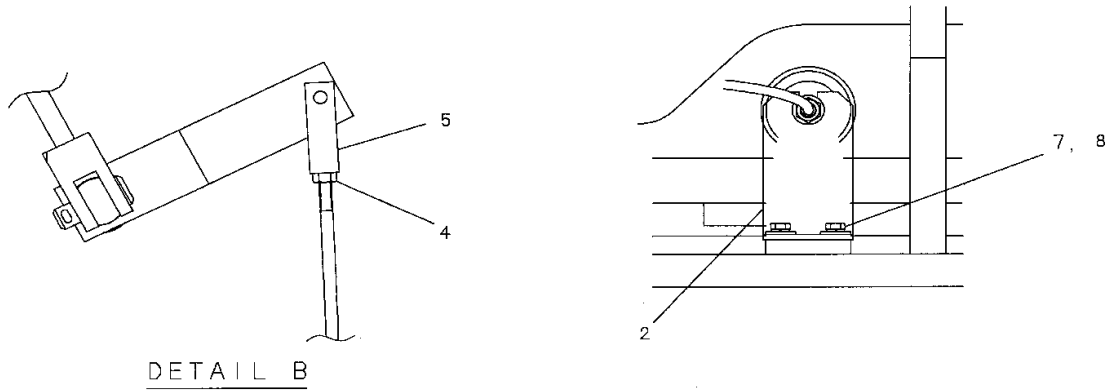
## Notes

---





SECTION A-A



DETAIL B

CLICK HERE TO **DOWNLOAD** THE COMPLETE MANUAL

- Thank you very much for reading the preview of the manual.
- You can download the complete manual from: [www.heydownloads.com](http://www.heydownloads.com) by clicking the link below



- Please note: If there is no response to CLICKING the link, please download this PDF first and then click on it.

CLICK HERE TO **DOWNLOAD** THE COMPLETE MANUAL

# Manitowoc

Description  
**PANEL ASSY**

Assembly No.  
**9999428577**  
Revision:

| Item | FN | Part              | Qty | Description |
|------|----|-------------------|-----|-------------|
| 6    |    | <b>9999428578</b> | 1   | PANEL ASSY  |
| 9    |    | <b>9999424533</b> | 4   | SEMS-BOLT   |

# Manitowoc

Description  
**DRUMLOCK ASSY (BOOM)**

Assembly No.  
**9999423809**  
 Revision:

| Item | FN | Part       | Qty | Description    |
|------|----|------------|-----|----------------|
| 1    |    | 9999408351 | 1   | PAWL           |
| 1-1  |    | 9999423814 | 1   | PAWL           |
| 1-2  |    | 9999400296 | 1   | BUSHING        |
| 2    |    | 9999408352 | 1   | ROD            |
| 3    |    | 9999424078 | 2   | SPRING         |
| 4    |    | 9999422959 | 1   | PIN            |
| 5    |    | 9999402662 | 1   | PLATE          |
| 6    |    | 9999407567 | 2   | WASHER, THRUST |
| 7    |    | 9999424494 | 1   | ELBOW, 90      |
| 8    |    | 9999424692 | 2   | CAPSCREW       |
| 9    |    | 9999424558 | 2   | NUT            |
| 10   |    | 9999422194 | 2   | WASHER,        |
| 11   |    | 9999424855 | 3   | WASHER,        |
| 12   |    | 9999421432 | 1   | CABLE, CONTROL |
| 13   |    | 9999424391 | 1   | CLIP           |
| 14   |    | 9999424565 | 1   | NUT            |
| 15   |    | 9999424876 | 1   | LOCK WASHER    |

# Manitowoc

Description

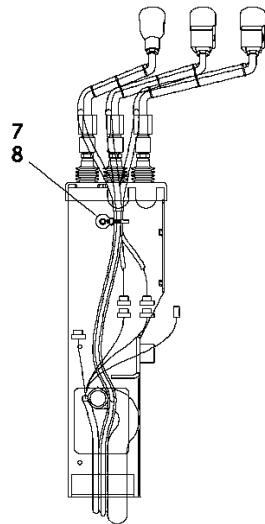
**HARNESS ASSY RH DECK**

Assembly No.

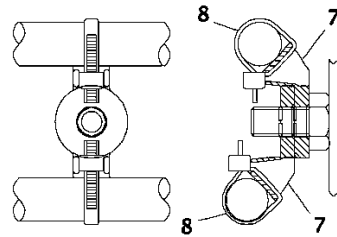
**9999429971**

Revision:

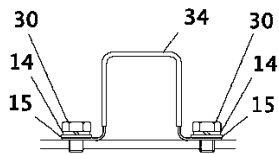
| Item | FN | Part       | Qty | Description |
|------|----|------------|-----|-------------|
| 4    |    | 9999428280 | 1   | HARNESS     |
| 5    |    | 9999428281 | 1   | HARNESS     |



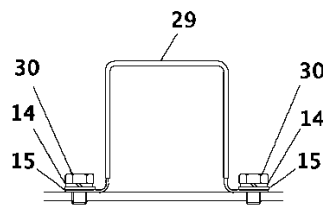
SIDE STAND (R. H)



DETAIL F



DETAIL D



DETAIL E

# Manitowoc

Description  
**RELAY BOX ASSY**

Assembly No.  
**9999427728**  
 Revision:

| Item | FN | Part       | Qty | Description    |
|------|----|------------|-----|----------------|
| 2    |    | 9999421445 | 2   | RELAY          |
| 4    |    | 9999427327 | 1   | FLASHER ASSY   |
| 5    |    | 9999424532 | 10  | SEMS-BOLT      |
| 6    |    | 9999424855 | 5   | WASHER,        |
| 7    |    | 9999408711 | 2   | NUT            |
| 10   |    | 9999408029 | 1   | RELAY BOX ASSY |
| 11   |    | 9999422828 | 2   | TRIM           |
| 12   |    | 9999420260 | 2   | MACHINE SCREW  |
| 13   |    | 9999424522 | 2   | SEMS-BOLT      |
| 15   |    | 9999423430 | 1   | CLAMP          |
| 18   |    | 9999421483 | 1   | CONTROLLER     |
| 19   |    | 9999419667 | 3   | SEMS-BOLT      |
| 20   |    | 9999427730 | 1   | BRACKET        |

# Manitowoc

Description

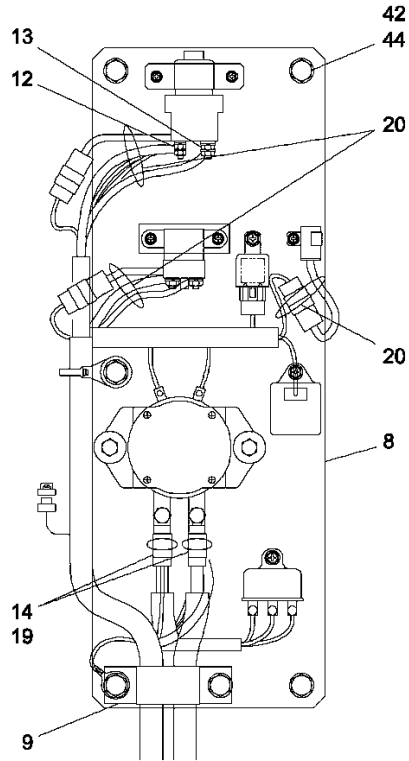
**HARNESS ASSY LH GUARD**

Assembly No.

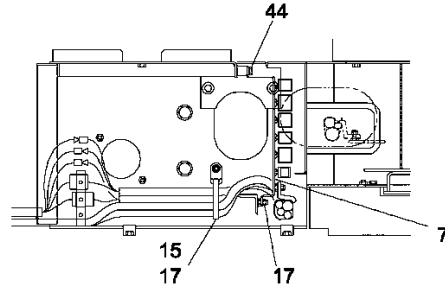
**9999429935**

Revision:

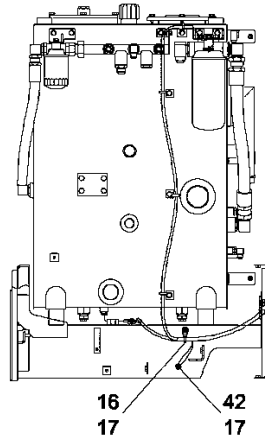
| Item | FN | Part       | Qty | Description |
|------|----|------------|-----|-------------|
| 1    |    | 9999427963 | 1   | HARNESS     |



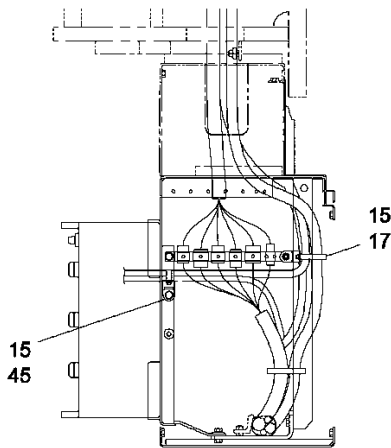
SECTION A-A



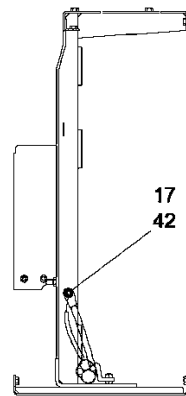
SECTION B-B



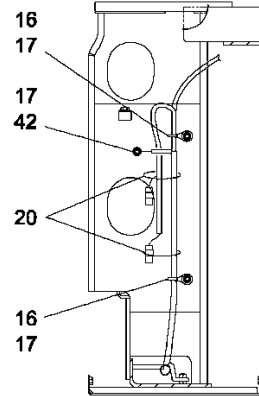
SECTION F-F



SECTION C-C



SECTION D-D



SECTION E-E

# Manitowoc

Description

**BATTERY INSTALLATION**

Assembly No.

**9999423798**

Revision:

| Item | FN | Part       | Qty | Description |
|------|----|------------|-----|-------------|
| 5    |    | 9999422117 | 1   | PLATE       |
| 6    |    | 9999422292 | 2   | BOLT        |
| 7    |    | 9999424877 | 2   | LOCK WASHER |
| 10   |    | 9999422194 | 2   | WASHER,     |

# Manitowoc

Description  
**PEDAL ASSEMBLY**

Assembly No.  
**9999408184**  
Revision:

| Item | FN | Part       | Qty | Description |
|------|----|------------|-----|-------------|
| 1    |    | 9999408195 | 1   | BRACKET     |
| 2    |    | 9999408189 | 1   | LEVER ASSY  |
| 2-1  |    | 9999423676 | 1   | LEVER       |
| 2-2  |    | 9999400290 | 1   | BUSHING     |
| 3    |    | 9999408192 | 1   | LINK        |
| 4    |    | 9999408191 | 1   | PEDAL       |
| 5    |    | 9999400463 | 1   | PAWL        |
| 6    |    | 9999400437 | 2   | LINK        |
| 7    |    | 9999408187 | 2   | LINK        |
| 8    |    | 9999400450 | 1   | LINK        |
| 10   |    | 9999403376 | 1   | BOLT, EYE   |
| 11   |    | 9999400023 | 1   | SPRING      |
| 12   |    | 9999402888 | 1   | PIN         |
| 13   |    | 9999402891 | 2   | PIN         |
| 14   |    | 9999400087 | 1   | PIN         |
| 15   |    | 9999403020 | 1   | PIN         |
| 16   |    | 9999422611 | 1   | BEARING     |
| 17   |    | 9999419867 | 2   | PIN         |
| 18   |    | 9999424704 | 1   | CAPSCREW    |
| 19   |    | 9999400049 | 2   | SPACER      |
| 20   |    | 9999400051 | 3   | SPACER      |
| 21   |    | 9999408186 | 1   | BOLT        |
| 22   |    | 9999406174 | 2   | SPACER      |
| 23   |    | 9999407395 | 2   | SHIM,       |
| 24   |    | 9999407396 | 2   | SHIM,       |
| 25   |    | 9999407397 | 2   | SHIM,       |
| 26   |    | 9999419811 | 2   | PIN, SPLIT  |
| 27   |    | 9999424601 | 3   | PIN         |
| 28   |    | 9999424598 | 2   | PIN, SPLIT  |
| 29   |    | 9999421375 | 2   | CAPSCREW    |
| 30   |    | 9999424712 | 1   | CAPSCREW    |
| 31   |    | 9999424510 | 2   | SEMS-BOLT   |
| 32   |    | 9999421348 | 2   | NUT         |
| 33   |    | 9999424568 | 6   | NUT         |

# Manitowoc

Description

**ELEC ASSY BASE MACHINE**

Assembly No.

**9999429929**

Revision:

| Item | FN | Part       | Qty | Description |
|------|----|------------|-----|-------------|
| 2    |    | 9999428418 | 1   | BRACKET     |
| 3    |    | 9999427940 | 2   | CLIP        |
| 4    |    | 9999424392 | 1   | CLIP        |
| 5    |    | 9999406274 | 7   | CLIP        |
| 6    |    | 9999406275 | 7   | CLIP        |
| 7    |    | 9999424522 | 1   | SEMS-BOLT   |
| 8    |    | 9999408711 | 1   | NUT         |
| 9    |    | 9999424856 | 1   | WASHER,     |
| 10   |    | 9999424152 | 1   | HARNESS     |
| 11   |    | 9999430041 | 1   | BRKT        |

# Manitowoc

Description

**MOMENT LIMITER ASSY**

Assembly No.

**9999430558**

Revision:

| Item | FN | Part                                       | Qty | Description    |
|------|----|--|-----|----------------|
| 3    |    | <b>9999430034</b>                          | 1   | LABEL          |
| 6    |    | <b>9999430612</b>                          | 1   | MOMENT LIMITER |
| 6-2  |    | <b>DEPENDS ON S/N<br/>CALL FOR SERVICE</b> | 1   | CARD, MEMORY   |
| 6-3  |    | <b>9999430613</b>                          | 1   | CNTRLLER       |

# Manitowoc

Description

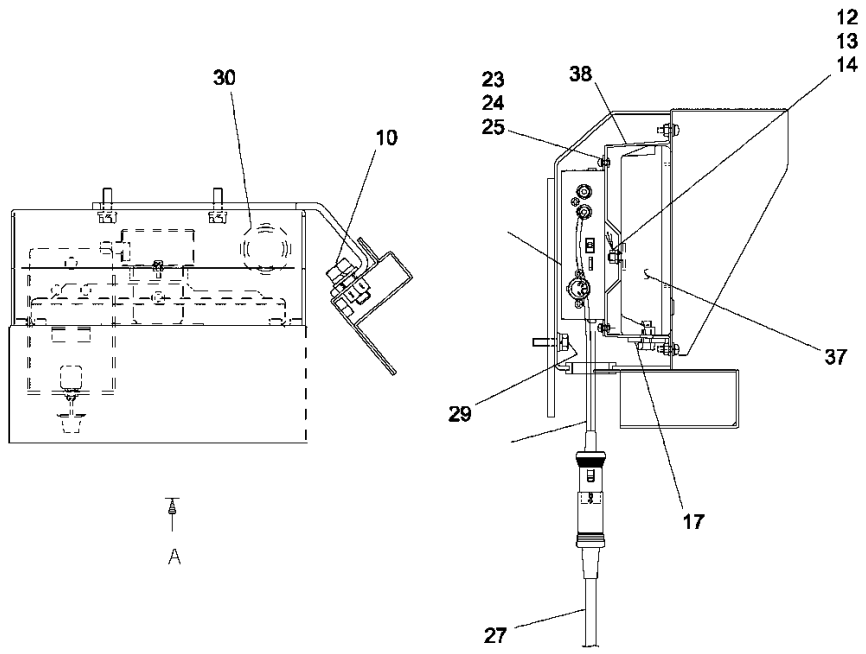
**CAMERA INSTAL DRUM MONITOR**

Assembly No.

**9999429963**

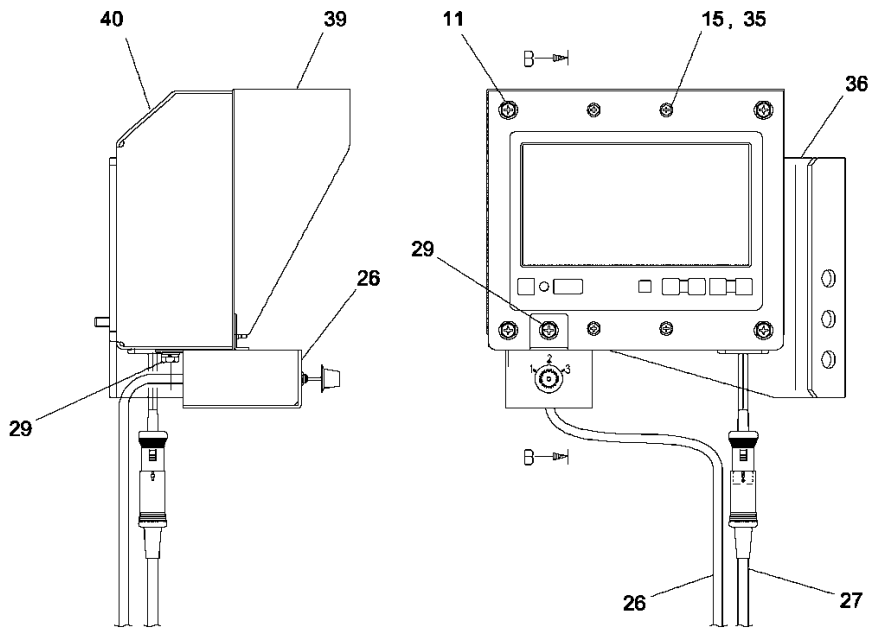
Revision:

| Item  | FN | Part       | Qty | Description |
|-------|----|------------|-----|-------------|
| 1     |    | 9999425335 | 1   | CAMERA      |
| 1-3   |    | 9999425338 | 1   | BRACKET     |
| 1-4   |    | 9999425339 | 1   | COVER       |
| 1-5   |    | 9999425340 | 4   | INSULATION  |
| 1-6   |    | 9999425341 | 4   | SEMS-BOLT   |
| 1-7   |    | 9999425342 | 3   | SEMS-BOLT   |
| 1-8   |    | 9999425343 | 3   | NUT         |
| 1-11  |    | 9999425346 | 4   | WASHER,     |
| 1-900 |    | 9999430030 | 1   | REPAIR KIT  |
| 2     |    | 9999427738 | 1   | BRACKET     |
| 4     |    | 9999424510 | 2   | SEMS-BOLT   |
| 5     |    | 9999422194 | 2   | WASHER,     |
| 7     |    | 9999406274 | 10  | CLIP        |
| 8     |    | 9999426160 | 1   | CABLE       |
| 9     |    | 9999406339 | 1   | CAP         |
| 10    |    | 9999406275 | 13  | CLIP        |
| 12    |    | 9999419658 | 3   | BOLT        |
| 13    |    | 9999424855 | 3   | WASHER,     |
| 14    |    | 9999406254 | 3   | CLIP        |



A

SECTION B-B



DETAIL A

# Manitowoc

Description

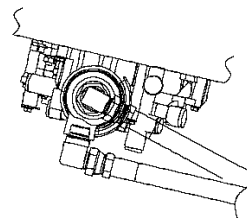
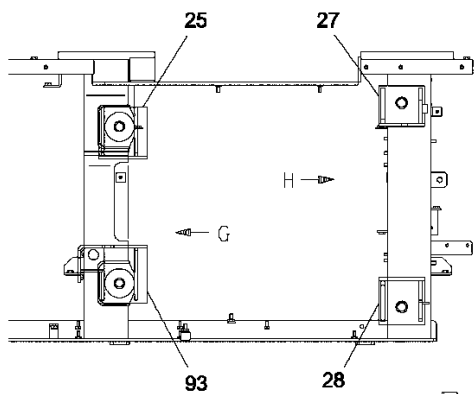
**MONITOR INSTAL (OPTION)**

Assembly No.

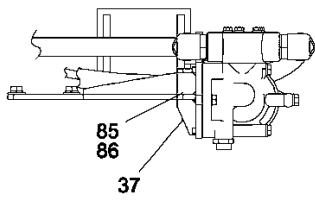
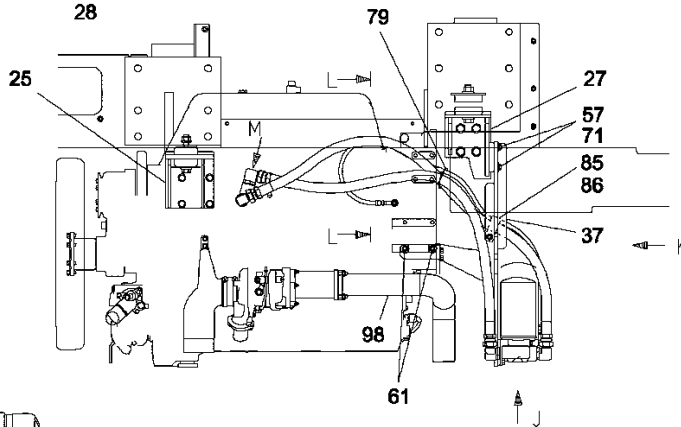
**9999425290**

Revision:

| Item | FN | Part       | Qty | Description |
|------|----|------------|-----|-------------|
| 31   |    | 9999425442 | 1   | BRACKET     |
| 32   |    | 9999425443 | 1   | COVER       |
| 33   |    | 9999425198 | 1   | GROMMET     |
| 34   |    | 9999425211 | 2   | TRIM        |

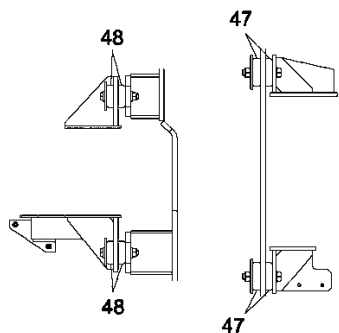


VIEW M



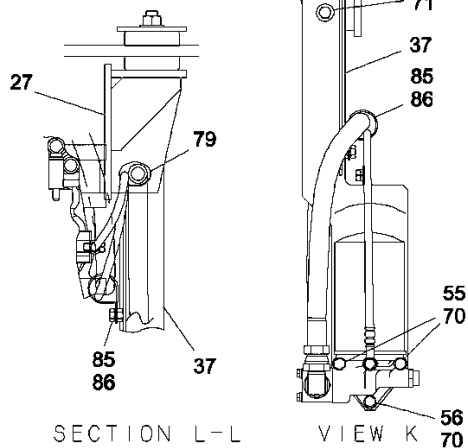
VIEW J

VIEW E



VIEW G

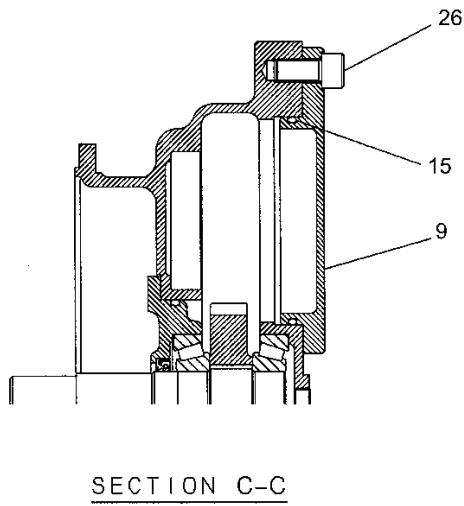
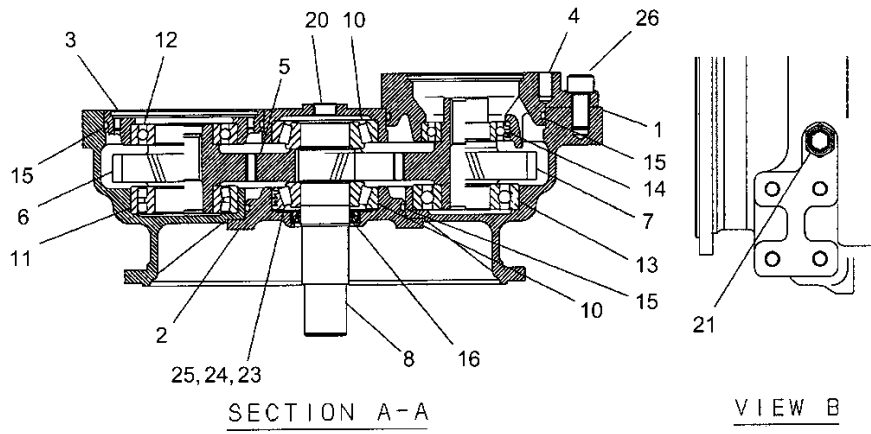
VIEW H



SECTION L-L

VIEW K

# Manitowoc



# Manitowoc

Description

**FUEL LINES ENGINE/STD**

Assembly No.

**9999429947**

Revision:

| Item | FN | Part       | Qty | Description                          |
|------|----|------------|-----|--------------------------------------|
| 10   |    | 9999428803 | 1   | HOSE ASSY, AIR COMPRESSOR 1/2" X 72" |
| 11   |    | 9999424076 | 9   | NUT                                  |
| 13   |    | 9999424372 | 1   | CLIP                                 |
| 14   |    | 9999424406 | 9   | CLIP                                 |
| 15   |    | 9999424694 | 2   | CAPSCREW                             |
| 17   |    | 9999424855 | 2   | WASHER,                              |
| 19   |    | 9999424526 | 2   | SEMS-BOLT                            |
| 20   |    | 9999426456 | 1   | CLIP                                 |
| 21   |    | 9999408711 | 1   | NUT                                  |
| 22   |    | 90013047   | 1   | BRACKET                              |
| 24   |    | 9999430066 | 1   | HOSE                                 |
| 25   |    | 9999430067 | 1   | HOSE                                 |
| 26   |    | 9999430068 | 1   | HOSE                                 |
| 28   |    | 9999424360 | 6   | CLIP                                 |

# Manitowoc

Description  
**CLEANER ASSY, AIR**

Assembly No.  
**9999428762**  
 Revision:

| Item | FN | Part       | Qty | Description         |
|------|----|------------|-----|---------------------|
| 1    |    | 9999428761 | 1   | CLEANER ASSY, AIR   |
| 1-1  |    | 9999430056 | 1   | BODY ASSY           |
| 1-2  |    | 9999429140 | 1   | ELEMENT, AIR FILTER |
| 1-3  |    | 9999430140 | 1   | COVER ASSY          |
| 1-4  |    | 9999425269 | 1   | VALVE ASSY          |
| 1-5  |    | 9999425270 | 1   | FILTER              |
| 1-6  |    | 9999428904 | 1   | INDICATOR           |
| 1-7  |    | 9999425271 | 1   | LABEL               |
| 2    |    | 9999422686 | 1   | CAP ASSY            |
| 2-1  |    | 9999422687 | 1   | CAP                 |
| 2-2  |    | 9999422688 | 1   | CLAMP               |
| 2-3  |    | 9999422689 | 1   | BOLT                |
| 2-4  |    | 9999422690 | 1   | NUT                 |

# Manitowoc

Description  
**SWING BEARING ASSY**

Assembly No.  
**9999423560**  
Revision:

| Item | FN | Part       | Qty | Description |
|------|----|------------|-----|-------------|
| 2    |    | 9999403386 | 33  | CAPSCREW    |
| 3    |    | 9999420089 | 37  | CAPSCREW    |
| 4    |    | 9999430083 | 3   | CAPSCR      |
| 5    |    | 9999430084 | 3   | CAPSCR      |

# Manitowoc

## Notes

---

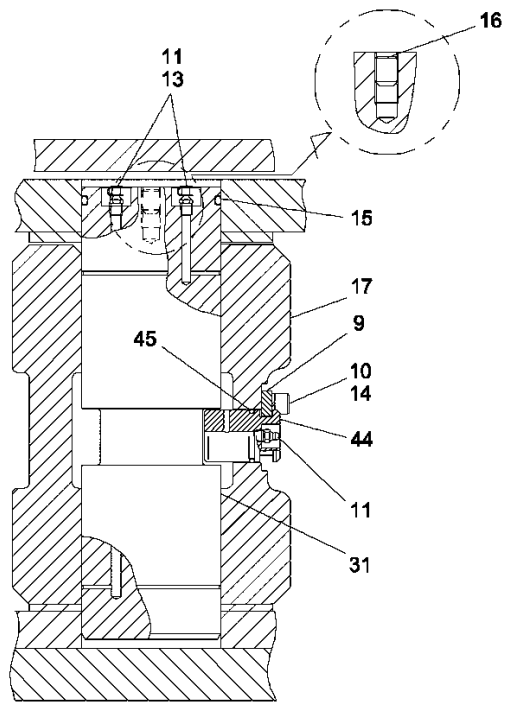
# Manitowoc

Description  
ROLLER ASSY

Assembly No.  
**9999429967**  
Revision:

| Item | FN | Part       | Qty | Description      |
|------|----|------------|-----|------------------|
| 3    |    | 9999420191 | 80  | ROLLER ASSY      |
| 4    |    | 9999420180 | 24  | CAPSCREW         |
| 5    | +  | 9999427314 | 6   | UPPERROLLER ASSY |
| 7    | +  | 9999429921 | 20  | ROLLER ASSY      |

+ SEE FURTHER BREAKDOWN THIS GROUP



SECTION A-A

# Manitowoc

Description  
**LOW.Boom ASSY**

Assembly No.  
**9999423093**  
 Revision:

| Item | FN | Part       | Qty | Description                           |
|------|----|------------|-----|---------------------------------------|
| 1    |    | 9999423094 | 1   | BOOM ASSY, LOW                        |
| 1-1  |    | 9999407684 | 1   | BOOM, LOW                             |
| 1-3  | +  | 9999423763 | 1   | SPREADER GUIDE ASSY                   |
| 2    | +  | 9999427454 | 1   | UPP.SPREADER ASSY                     |
| 3    |    | 9999407688 | 2   | PIN                                   |
| 4    |    | 9999402982 | 2   | PIN                                   |
| 5    |    | 9999400166 | 2   | PIN                                   |
| 6    |    | 9999421341 | 2   | NIPPLE, GREASE                        |
| 7    |    | 9999421522 | 2   | PIN                                   |
| 8    |    | 9999407692 | 2   | PIN                                   |
| 9    |    | 9999427716 | 6   | PIN, SPRING                           |
| 10   |    | 9999407691 | 4   | SHIM,                                 |
| 11   | +  | 9999423589 | 1   | SWITCH ASSEMBLY - LIMIT<br>(BOOMSIDE) |
| 12   | +  | 9999408197 | 1   | ANGLE METER INSTAL                    |

+ SEE FURTHER BREAKDOWN THIS GROUP

# Manitowoc

Description  
**SHEAVE ASSY, B.POINT**

Assembly No.  
**9999423743**  
 Revision:

| Item | FN | Part       | Qty | Description    |
|------|----|------------|-----|----------------|
| 1    |    | 9999408306 | 1   | GUARD, SHEAVE  |
| 2    |    | 9999408307 | 1   | GUARD, SHEAVE  |
| 4    |    | 9999423749 | 1   | PIN            |
| 5    |    | 9999421533 | 4   | SHEAVE         |
| 6    |    | 9999408835 | 8   | BEARING, BALL  |
| 9    |    | 9999400157 | 2   | ROD END        |
| 12   |    | 9999424718 | 6   | CAPSCREW       |
| 17   |    | 9999402761 | 3   | WASHER,        |
| 18   |    | 9999421342 | 2   | NIPPLE, GREASE |
| 19   |    | 9999402760 | 2   | WASHER,        |
| 21   |    | 9999424858 | 4   | WASHER,        |
| 22   |    | 9999419757 | 4   | U-NUT          |
| 23   |    | 9999424702 | 4   | CAPSCREW       |
| 24   |    | 9999421387 | 4   | LOCK WASHER    |
| 25   |    | 9999402774 | 4   | WASHER,        |
| 26   |    | 9999421388 | 2   | LOCK WASHER    |

# Manitowoc

Description

**INSERT BOOM(40ft WITH RUG)**

Assembly No.

**9999407763**

Revision:

| Item | FN | Part       | Qty | Description  |
|------|----|------------|-----|--------------|
| 1    |    | 9999407767 | 1   | BOOM, INSERT |
| 2    |    | 9999421522 | 4   | PIN          |
| 3    |    | 9999427716 | 4   | PIN, SPRING  |

# Manitowoc

Description

**BOOMGUY CABLE (40ft)**

Assembly No.

**9999408327**

Revision:

| Item | FN | Part       | Qty | Description |
|------|----|------------|-----|-------------|
| 1    |    | 9999408651 | 1   | GUY CABLE   |
| 2    |    | 9999421545 | 1   | PIN         |
| 3    |    | 9999424609 | 1   | COTTER PIN  |

# Manitowoc

Description  
**INSERTJIB (20ft)**

Assembly No.  
**9999401379**  
Revision:

| Item | FN | Part              | Qty | Description |
|------|----|-------------------|-----|-------------|
| 1    |    | <b>9999401378</b> | 1   | JIB, INSERT |
| 15   |    | <b>9999425005</b> | 4   | PIN         |
| 16   |    | <b>9999421544</b> | 4   | PIN, SPRING |

# Manitowoc

Description  
**SHEAVE ASSY, AUX**

Assembly No.  
**9999408255**  
Revision:

| Item | FN | Part       | Qty | Description        |
|------|----|------------|-----|--------------------|
| 1    |    | 9999423733 | 1   | FRAME, SHEAVE, AUX |
| 2    |    | 9999423734 | 1   | GUARD, SHEAVE      |
| 3    |    | 9999408835 | 2   | BEARING, BALL      |
| 4    |    | 9999408258 | 1   | SHEAVE             |
| 5    |    | 9999402996 | 1   | PIN                |
| 6    |    | 9999406168 | 2   | WASHER,            |
| 7    |    | 9999408262 | 2   | PIN                |
| 8    |    | 9999423747 | 1   | PIN                |
| 9    |    | 9999400157 | 2   | ROD END            |
| 10   |    | 9999424996 | 1   | SPACER             |
| 11   |    | 9999424718 | 4   | CAPSCREW           |
| 12   |    | 9999424575 | 4   | U-NUT              |
| 13   |    | 9999424860 | 2   | WASHER,            |
| 15   |    | 9999427715 | 4   | PIN, SPRING        |
| 16   |    | 9999419813 | 2   | PIN, SPLIT         |
| 17   |    | 9999419438 | 1   | PLUG               |
| 18   |    | 9999424717 | 2   | CAPSCREW           |

# Manitowoc

Description

**WIRE ROPE ASSY BOOM**

Assembly No.

**9999429416**

Revision:

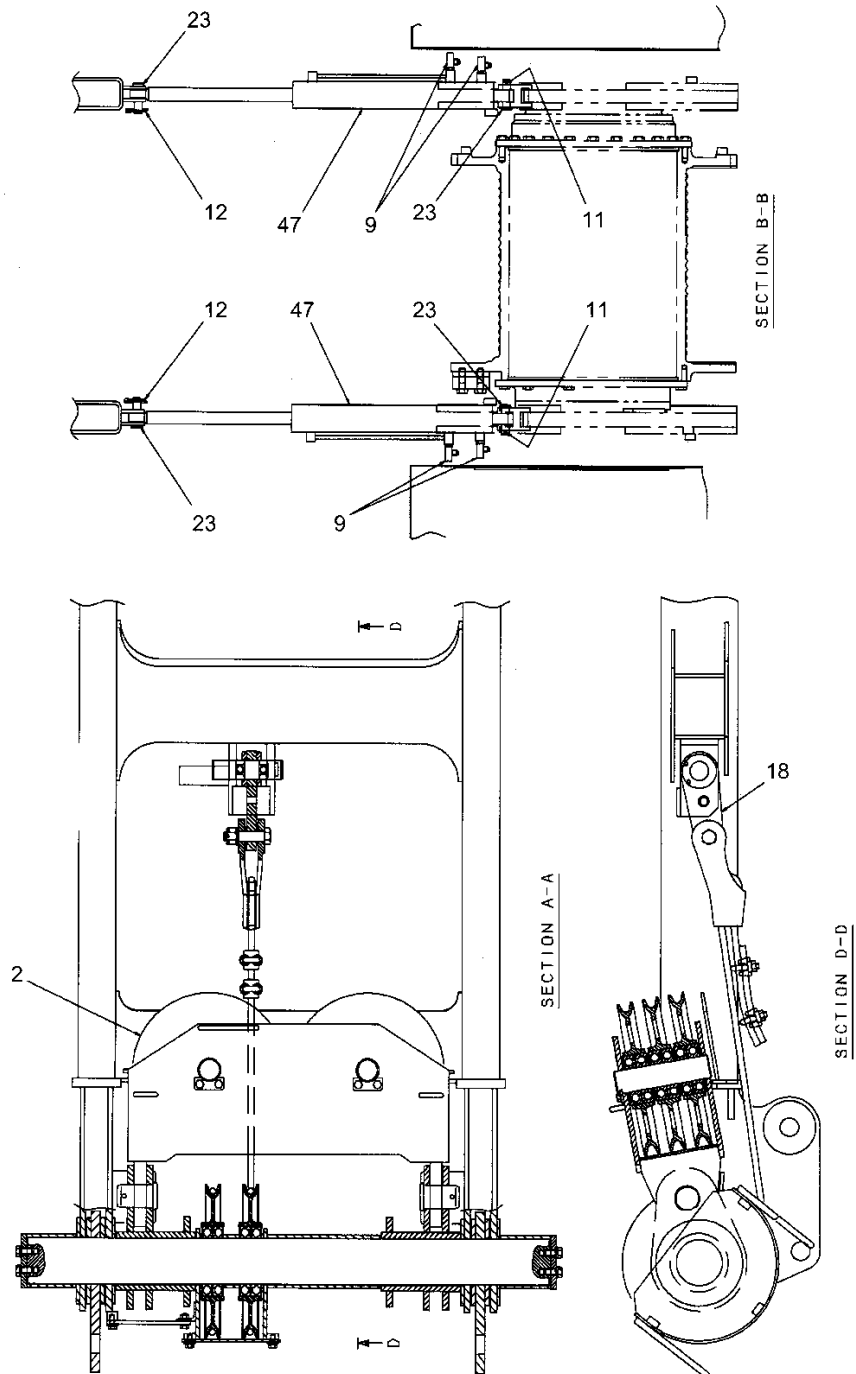
| Item | FN | Part       | Qty | Description  |
|------|----|------------|-----|--------------|
| 7    |    | 9999426077 | 1   | WIRE ROPE    |
| 11   |    | 9999425660 | 1   | WIRE ROPE    |
| 14   |    | 9999425252 | 1   | CLAMP        |
| 15   |    | 9999423797 | 1   | SOCKET, ROPE |
| 16   |    | 9999422633 | 1   | WEDGE, ROPE  |
| 17   |    | 9999423715 | 1   | BOLT         |
| 18   |    | 9999424573 | 1   | NUT          |
| 19   |    | 9999420407 | 1   | WASHER,      |
| 20   |    | 9999423716 | 1   | WASHER,      |
| 21   |    | 9999419815 | 1   | PIN          |

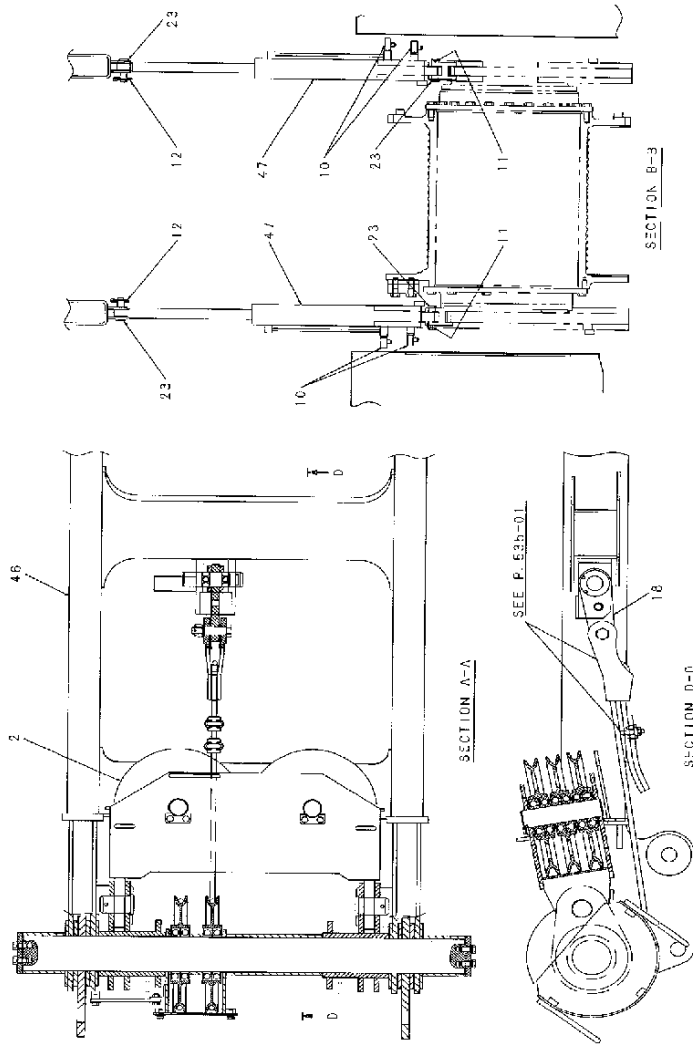
# Manitowoc

Description  
**BALL, HOOK**

Assembly No.  
**9999407545**  
 Revision:

| Item | FN | Part       | Qty | Description    |
|------|----|------------|-----|----------------|
| 1    |    | 9999401197 | 1   | HOOK           |
| 2    |    | 9999401200 | 1   | HOOK           |
| 3    |    | 9999428611 | 1   | WEIGHT         |
| 4    |    | 9999402975 | 1   | PIN            |
| 5    |    | 9999401178 | 1   | NUT            |
| 6    |    | 9999401179 | 1   | CAP            |
| 7    |    | 9999401180 | 1   | NUT            |
| 9    |    | 9999401181 | 1   | BOLT           |
| 10   |    | 9999428612 | 1   | STOPPER        |
| 11   |    | 9999428617 | 1   | BEARING, BALL  |
| 12   |    | 9999403618 | 1   | BEARING        |
| 13   |    | 9999421341 | 3   | NIPPLE, GREASE |
| 14   |    | 9999401199 | 1   | NUT            |
| 15   |    | 9999428816 | 1   | NUT            |
| 16   |    | 9999419816 | 1   | PIN, SPLIT     |
| 17   |    | 9999424876 | 1   | LOCK WASHER    |
| 18   |    | 9999401177 | 2   | SPACER         |
| 19   |    | 9999407546 | 1   | SPRING         |
| 20   |    | 9999428714 | 1   | RIVET          |
| 21   |    | 9999424855 | 2   | WASHER,        |
| 22   |    | 9999424597 | 2   | PIN, SPLIT     |





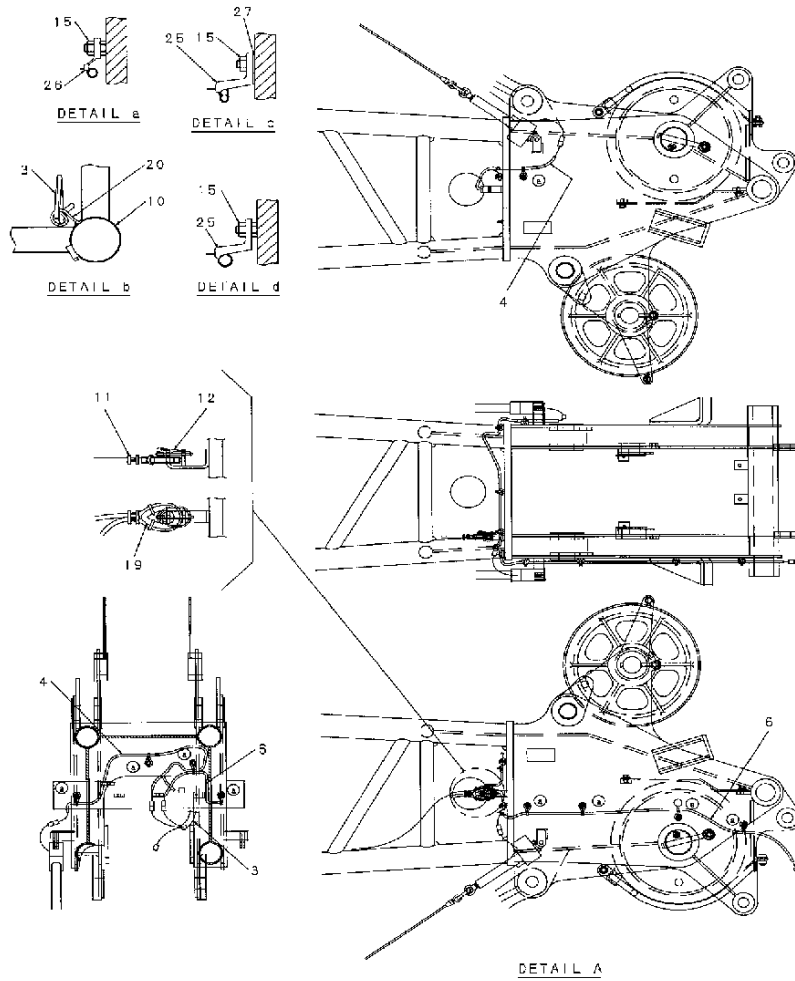
# Manitowoc

Description  
**GUIDESHEAVE ASSY**

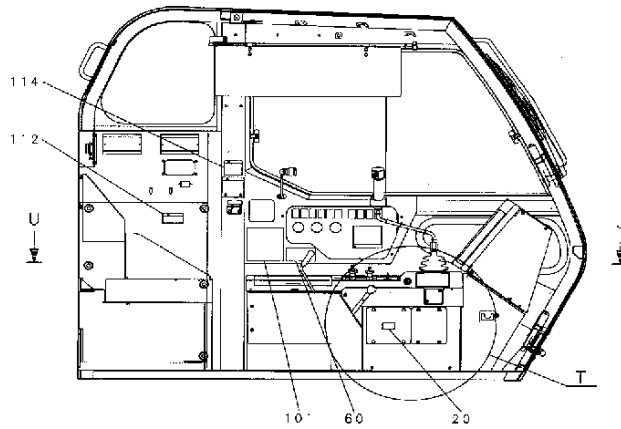
Assembly No.  
**9999408347**  
 Revision:

| Item | FN | Part       | Qty | Description    |
|------|----|------------|-----|----------------|
| 1    | +  | 9999421740 | 1   | SHEAVE ASSY    |
| 1-2  |    | 9999400148 | 1   | SHAVE          |
| 1-2A |    | 9999430573 | 1   | SHEAVE         |
| 1-2B |    | 9999406084 | 1   | BUSHING        |
| 1-4  |    | 9999400182 | 1   | ROD END        |
| 1-5  |    | 9999400048 | 1   | SPACER         |
| 1-6  |    | 9999400014 | 2   | CAPSCREW       |
| 1-7  |    | 9999406023 | 2   | LOCK WASHER    |
| 1-8  |    | 9999421554 | 1   | CAPSCREW       |
| 1-9  |    | 9999400142 | 1   | NUT            |
| 1-10 |    | 9999406047 | 1   | NIPPLE, GREASE |
| 1-12 |    | 9999400543 | 1   | FRAME          |
| 1-13 |    | 9999402842 | 1   | PIN            |
| 2    |    | 9999403515 | 1   | SHACKLE        |
| 5    |    | 9999425661 | 1   | U-BOLT         |
| 6    |    | 9999420419 | 2   | WASHER,        |
| 7    |    | 9999419757 | 2   | U-NUT          |
| 8    |    | 9999430120 | 4   | U-BOLT         |
| 9    |    | 9999420418 | 4   | WASHER         |
| 10   |    | 9999419756 | 4   | U-NUT          |
| 11   |    | 9999424856 | 4   | WASHER,        |
| 12   |    | 9999430110 | 1   | BRKT           |

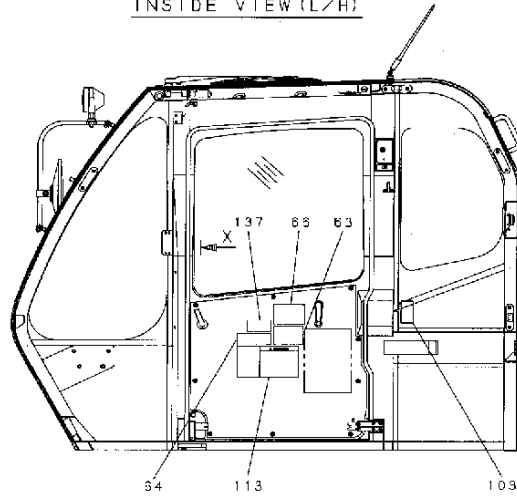
+ SEE FURTHER BREAKDOWN THIS GROUP



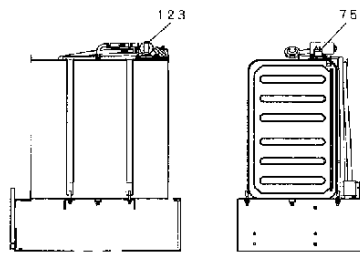
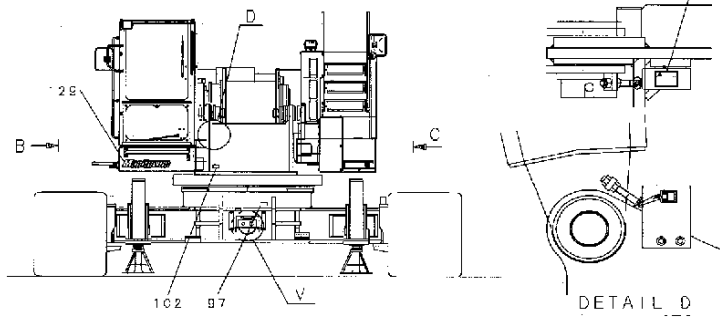
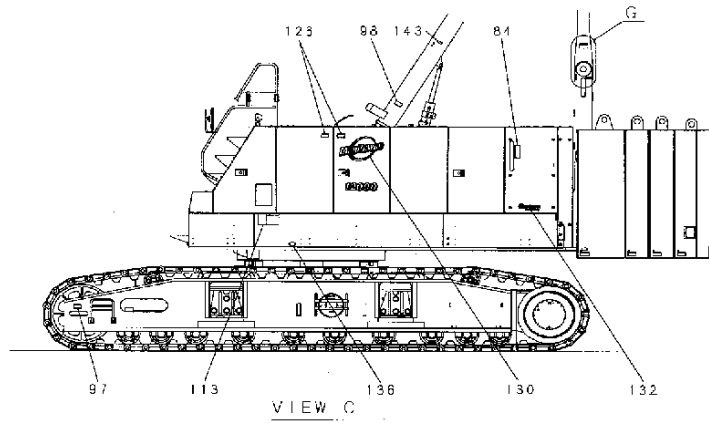
# Manitowoc



INSIDE VIEW (L/H)



INSIDE VIEW (R/H)



# Manitowoc

Description

**LABEL ASSY FOR BOOM W/ TOP&BOTTOM SURFACE**

Assembly No.

**9999429945**

Revision:

| Item | FN | Part       | Qty | Description |
|------|----|------------|-----|-------------|
| 1    |    | 9999406353 | 8   | LABEL       |

# Manitowoc

Description

**HOOK BLOCK ASSEMBLY - 50 TON 3 SHEAVE  
(COMPLETE ASSEMBLY)**

Assembly No.

**A10617**

Revision:

| Item | FN | Part       | Qty | Description                             |
|------|----|------------|-----|---|
| 1    |    | 9086100071 | 2   | NUT                                     |
| 2    |    | 9086100168 | 1   | PIN                                     |
| 3    |    | 9086100269 | 1   | PIN, ROLL                               |
| 4    |    | 7785160801 | 2   | SET SCREW<br>3/8" - 16 N.C. X 1/2"      |
| 5    |    | 9086100166 | 2   | PLATE, CENTER                           |
| 6    |    | 9086100461 | 2   | WEIGHT, CHEEK                           |
| 7    |    | 9086100781 | 2   | BOLT, TIE                               |
| 8    |    | 9086100061 | 8   | NUT                                     |
| 9    |    | 9086100167 | 2   | PLATE, SIDE                             |
| 10   |    | 9086101295 | 3   | WHEEL, SHEAVE                           |
| 11   |    | 9086100077 | 3   | BEARING, ROLLER                         |
| 12   |    | 9086100163 | 3   | GUIDE                                   |
| 13   |    | 9086100534 | 2   | BOLT, TIE                               |
| 14   |    | 9086100162 | 4   | WASHER, LOCK                            |
| 15   |    | 9086100161 | 4   | CAP SCREW,                              |
| 16   |    | 9086100539 | 1   | HOUSING, HOOK PIVOT                     |
| 17   |    | 9086100088 | 1   | BEARING                                 |
| 18   |    | 9086100538 | 2   | SPACER                                  |
| 19   |    | 9086101176 | 1   | HOOK & NUT ASSY.                        |
| 20   |    | 7440030000 | 1   | FITTING, STRAIGHT GREASE<br>1/4" N.P.T. |
| 21   |    | 9086100726 | 1   | KIT, LATCH                              |
| 22   |    | 9086100804 | 2   | WASHER,                                 |
| 23   |    | 9086100805 | 2   | SCREW,                                  |
| 24   |    | 9086100933 | 1   | WIRE, SAFETY                            |
| 25   |    | 9086100009 | 1   | END, DEAD                               |
| 26   |    | 9086101217 | 1   | PLATE, NAME / RATING                    |
| 27   |    | 9086100327 | 8   | DRIVE SCREW                             |
| 28   |    | 9086100151 | 3   | FITTING                                 |
| 29   |    | 9086100137 | 1   | PLATE, CAUTION                          |
| 30   |    | 9086100076 | 6   | WASHER, THRUST                          |
| 31   |    | 9086100164 | 2   | PIN, SPIRAL                             |

# Manitowoc

## Notes

---

# Manitowoc

| Alphabetical Index        | Appendix A          |                    |     |
|---------------------------|---------------------|--------------------|-----|
| Description               | Part                | Page               |     |
| <b>BEARING, ROLLER</b>    | 9999422608          | 421, 763           |     |
|                           | 9999428683          | 931, 933           |     |
|                           | 9999428801          | 937                |     |
| <b>BEARING, SPHERICAL</b> | 9999403649          | 421                |     |
| <b>BEARING, THRUST</b>    | 9086100070          | 1035               |     |
|                           | 9086100258          | 1031               |     |
|                           | 9999428153          | 939                |     |
| <b>BLADE, WIPER</b>       | 9999407326          | 213                |     |
|                           | 9999422665          | 191                |     |
| <b>BLIND, ROLL</b>        | 9999422667          | 201                |     |
| <b>BLOCK</b>              | 9999406085          | 903                |     |
|                           | 9999407302          | 817                |     |
|                           | 9999407622          | 505                |     |
|                           | 9999408078          | 51                 |     |
|                           | 9999422603          | 477                |     |
|                           | 9999422829          | 45                 |     |
|                           | 9999423098          | 429                |     |
|                           | 9999423111          | 25                 |     |
|                           | 9999423411          | 293                |     |
|                           | 9999423532          | 435                |     |
|                           | 9999424117          | 55                 |     |
|                           | <b>BLOCK ASSY</b>   | 9999424145         | 45  |
|                           | <b>BLOCK INSTAL</b> | 9999423110         | 25  |
| <b>BLOCK, TAPPED</b>      | 9999427748          | 193                |     |
| <b>BLOWER ASSY, MOTOR</b> | 9999407886          | 303                |     |
| <b>BODY</b>               | 9999404537          | 467                |     |
|                           | 9999405346          | 17, 19             |     |
|                           | 9999421642          | 801                |     |
|                           | 9999422900          | 345                |     |
|                           | 9999423583          | 475                |     |
|                           | 9999430584          | 467                |     |
|                           | 9999430660          | 171                |     |
|                           | 9999430667          | 171                |     |
|                           | 9999430670          | 171                |     |
|                           | <b>BODY ASSY</b>    | 9999430056         | 785 |
| <b>BOLT</b>               | 9539220002          | 1023, 1045         |     |
|                           | 9999401181          | 929                |     |
|                           | 9999403171          | 163                |     |
|                           | 9999403319          | 911, 915, 921, 925 |     |
|                           | 9999408186          | 575, 677           |     |
|                           | 9999419657          | 787                |     |
|                           | 9999419658          | 713                |     |
|                           | 9999419665          | 859                |     |

From - BEARING, ROLLER

To - BOLT

# Manitowoc

| Alphabetical Index | Appendix A         |   |          |
|--------------------|--------------------|---|----------|
| Description        | Part               | Page  |          |
| <b>CLIP</b>        | 9999424362         | 309, 417, 787                               |          |
|                    | 9999424363         | 981   |          |
|                    | 9999424364         | 754   |          |
|                    | 9999424366         | 754, 975, 979                               |          |
|                    | 9999424368         | 754, 779                                    |          |
|                    | 9999424369         | 754   |          |
|                    | 9999424372         | 773, 777                                    |          |
|                    | 9999424373         | 25, 237                                     |          |
|                    | 9999424374         | 13  |          |
|                    | 9999424375         | 13  |          |
|                    | 9999424376         | 26, 65                                      |          |
|                    | 9999424378         | 13  |          |
|                    | 9999424391         | 173, 233, 591, 593, 681                     |          |
|                    | 9999424392         | 9, 689, 754, 769                            |          |
|                    | 9999424393         | 469   |          |
|                    | 9999424394         | 35, 309, 469                                |          |
|                    | 9999424395         | 469   |          |
|                    | 9999424396         | 73, 261, 469, 655                           |          |
|                    | 9999424397         | 261   |          |
|                    | 9999424398         | 73, 291, 309, 469, 655, 754                 |          |
|                    | 9999424399         | 51  |          |
|                    | 9999424404         | 173   |          |
|                    | 9999424405         | 35, 237, 291, 293                           |          |
|                    | 9999424406         | 773   |          |
|                    | 9999426456         | 773   |          |
|                    | 9999427335         | 194   |          |
|                    | 9999427751         | 727   |          |
|                    | 9999427754         | 209   |          |
|                    | 9999427762         | 67  |          |
|                    | 9999427939         | 597, 609, 619, 645, 655, 975                |          |
|                    | 9999427940         | 597, 619, 639, 645, 655, 659, 687, 689, 979 |          |
|                    | 9999428405         | 975   |          |
|                    | <b>CNTRLLER</b>    | 9999430613                                  | 701      |
|                    | <b>COCK, DRAIN</b> | 9999407129                                  | 417, 759 |
|                    |                    | 9999408882                                  | 791, 793 |
| 9999408883         |                    | 477   |          |
| <b>COIL</b>        | 9999422897         | 345   |          |
| <b>COLLAR</b>      | 9999401915         | 825   |          |
|                    | 9999401916         | 825   |          |
|                    | 9999402267         | 823   |          |
|                    | 9999402268         | 823   |          |
|                    | 9999422184         | 849   |          |
|                    | 9999423017         | 5   |          |
|                    | 9999423504         | 507   |          |
|                    | 9999425413         | 89, 91, 327, 329, 353, 355                  |          |

From - CLIP

To - COLLAR

# Manitowoc

| Alphabetical Index      | Appendix A |          |
|-------------------------|------------|----------|
| Description             | Part       | Page     |
| <b>GUIDESHEAVE ASSY</b> | 9999408347 | 963      |
| <b>GUN, GREASE</b>      | 9999403534 | 1015     |
| <b>GUY CABLE</b>        | 9999404250 | 901      |
|                         | 9999404252 | 897      |
|                         | 9999404257 | 895      |
|                         | 9999408326 | 871      |
|                         | 9999408645 | 873, 875 |
|                         | 9999408647 | 877, 879 |
|                         | 9999408651 | 881      |
| <b>HAIR-PIN</b>         | 9999427300 | 193      |
| <b>HAMMER</b>           | 9999400174 | 1015     |
|                         | 9999422328 | 1015     |
|                         | 9999428309 | 395      |
| <b>HANDLE</b>           | 9999406326 | 207      |
|                         | 9999422712 | 300      |
|                         | 9999422803 | 191      |
|                         | 9999426441 | 325      |
|                         | 9999427328 | 208      |
|                         | 9999427329 | 208      |
|                         | 9999428428 | 89       |
|                         | 9999428434 | 347      |
| <b>HANDLE, RATCHET</b>  | 9999420367 | 1015     |
|                         | 9999421628 | 1015     |
| <b>HANDRAIL</b>         | 9999428524 | 385      |
|                         | 9999428525 | 385      |
|                         | 9999430123 | 365      |
|                         | 9999430124 | 365, 369 |
|                         | 9999430125 | 365, 369 |
|                         | 9999430126 | 367, 371 |
|                         | 9999430127 | 373      |
| <b>HARNESS</b>          | 9999422766 | 191      |
|                         | 9999423177 | 603      |
|                         | 9999423199 | 975      |
|                         | 9999423200 | 975      |
|                         | 9999423201 | 979      |
|                         | 9999423202 | 981      |
|                         | 9999423203 | 981      |
|                         | 9999423254 | 304      |
|                         | 9999424152 | 689      |
|                         | 9999425944 | 685      |
|                         | 9999427412 | 979      |
|                         | 9999427943 | 194      |
|                         | 9999427956 | 603      |
|                         | 9999427957 | 603      |
|                         | 9999427958 | 613      |

From - GUIDESHEAVE ASSY

To - HARNESS

# Manitowoc

| Alphabetical Index | Appendix A |  |
|--------------------|------------|--|
| Description        | Part       | Page   |
| LINK               | 9999427347 | 208  |
|                    | 9999427451 | 955  |
|                    | 9999427452 | 955  |
| LINK, SWIVEL ASSY. | 9053100122 | 1027   |
| LINK,CENTER        | 9053100120 | 1029   |
| LOAD CELL          | 9999427442 | 687  |
| LOCK               | 9999402260 | 563  |
|                    | 9999422778 | 199  |
|                    | 9999422835 | 303  |
|                    | 9999422841 | 303  |
|                    | 9999426450 | 208  |
|                    | 9999427757 | 208  |
| LOCK ASSY          | 9999425309 | 197  |
|                    | 9999427371 | 193  |
|                    | 9999427394 | 208  |
| LOCK WASHER        | 9999406023 | 965, 967   |
|                    | 9999420415 | 939  |
|                    | 9999421387 | 25, 59, 61, 67, 237, 245,<br>463, 473, 475, 478, 576, 656,<br>678, 769, 853, 857, 883, 885,<br>887, 889, 945, 961  |
|                    | 9999421388 | 67, 277, 385, 477, 491, 511,<br>819, 857, 951, 959   |
|                    | 9999422212 | 645  |
|                    | 9999422662 | 207  |
|                    | 9999424861 | 885  |
|                    | 9999424863 | 839  |
|                    | 9999424866 | 451, 457, 743  |
|                    | 9999424867 | 13, 17, 25, 46, 59, 237,<br>433, 437, 537, 544, 551, 563,<br>576, 678  |
|                    | 9999424868 | 13, 17, 25, 237, 473, 835,<br>961  |
|                    | 9999424869 | 149  |
|                    | 9999424871 | 819  |
|                    | 9999424872 | 192, 727   |
|                    | 9999424873 | 565, 695, 699, 853, 1021   |
|                    | 9999424874 | 3, 339, 543, 551, 611, 727   |
|                    | 9999424875 | 17, 26, 151, 192, 207, 373,<br>381, 561, 695, 699, 971, 981  |
|                    | 9999424876 | 27, 173, 192, 207, 233, 309,<br>323, 441, 543, 551, 593, 597,<br>655, 671, 745, 747, 795, 929  |
|                    | 9999424877 | 9, 26, 35, 51, 55, 61,<br>65, 73, 109, 125, 133, 149,<br>207, 293, 300, 309, 349, 351,<br>365, 435, 469, 475, 478, 533,<br>619, 655, 665, 827, 903, 947,<br>951, 955 |

From - LINK

To - LOCK WASHER

# Manitowoc

| Alphabetical Index | Appendix A           |                  |                  |
|--------------------|----------------------|------------------|------------------|
| Description        | Part                 | Page             |                  |
| PLATE              | 9999428717           | 655              |                  |
|                    | 9999428768           | 769              |                  |
|                    | 9999429442           | 497              |                  |
|                    | 9999429443           | 497              |                  |
|                    | 9999429444           | 503              |                  |
|                    | 9999429445           | 503              |                  |
|                    | 9999429507           | 300              |                  |
|                    | 9999430032           | 192              |                  |
|                    | 9999430044           | 517              |                  |
|                    | 9999430045           | 517              |                  |
|                    | 9999430104           | 933, 937         |                  |
|                    | 9999430703           | 671              |                  |
|                    | PLATE, ADAPTER       | 9539220029       | 1023, 1045       |
|                    | PLATE, BAR           | 9053100095       | 1027, 1043       |
| 9053100105         |                      | 1029             |                  |
| PLATE, CAUTION     | 9086100137           | 1025, 1031, 1035 |                  |
|                    | 9086101384           | 1039             |                  |
| PLATE, CENTER      | 9086100166           | 1025             |                  |
|                    | 9086100549           | 1031             |                  |
|                    | 9086101380           | 1039             |                  |
| PLATE, FLOOR       | 9999425386           | 11               |                  |
| PLATE, KEEPER      | 9999402756           | 849, 889, 945    |                  |
|                    | 9999422936           | 807, 811         |                  |
|                    | 9999423003           | 403              |                  |
|                    | 9999423004           | 487, 511         |                  |
|                    | 9999423076           | 835              |                  |
|                    | 9999425423           | 687              |                  |
|                    | 9999428677           | 931, 933         |                  |
|                    | 9999428800           | 937              |                  |
|                    | PLATE, NAME / RATING | 9086101217       | 1025, 1031, 1035 |
| 9086101383         |                      | 1039             |                  |
| PLATE, RUBBER      | 9999406289           | 207              |                  |
| PLATE, SIDE        | 9086100167           | 1025             |                  |
|                    | 9086100422           | 1035             |                  |
|                    | 9086100550           | 1031             |                  |
|                    | 9086101381           | 1039             |                  |
|                    | 9999428633           | 939              |                  |
|                    | 9999428648           | 931              |                  |
|                    | 9999428664           | 931              |                  |
|                    | 9999428670           | 933              |                  |
|                    | 9999428689           | 933              |                  |
|                    | 9999428695           | 937              |                  |
|                    | 9999428712           | 937              |                  |
|                    | 9999430659           | 171              |                  |

From - PLATE

To - PLATE, SIDE

# Manitowoc

| Alphabetical Index         | Appendix A |               |
|----------------------------|------------|---------------|
| Description                | Part       | Page          |
| <b>SPOOL ASSY</b>          | 9999430597 | 467           |
| <b>SPREADER GUIDE ASSY</b> | 9999423763 | 845           |
| <b>SPREADER, LOW</b>       | 9999423753 | 945           |
| <b>SPREADER, UPP</b>       | 9999423755 | 849           |
| <b>SPRG</b>                | 9999430105 | 933, 937      |
|                            | 9999430586 | 411           |
| <b>SPRING</b>              | 9086100555 | 1031, 1035    |
|                            | 9999400023 | 576, 677      |
|                            | 9999402249 | 695, 699      |
|                            | 9999407394 | 745, 747      |
|                            | 9999407546 | 929           |
|                            | 9999407786 | 231           |
|                            | 9999422895 | 345           |
|                            | 9999423578 | 563           |
|                            | 9999424078 | 591, 593, 681 |
|                            | 9999427331 | 207           |
|                            | 9999428166 | 939           |
|                            | 9999428304 | 477           |
|                            | 9999428416 | 477           |
|                            | 9999428420 | 231           |
| <b>SPRING KIT</b>          | 9999425247 | 325           |
| <b>SPRING, LATCH</b>       | 90011777   | 1029          |
| <b>SPROCKET</b>            | 9999400261 | 817           |
|                            | 9999400262 | 817           |
| <b>STAY</b>                | 9999421794 | 304           |
|                            | 9999421796 | 303           |
|                            | 9999425288 | 109, 125, 219 |
|                            | 9999425374 | 327           |
|                            | 9999425600 | 353           |
|                            | 9999428285 | 157, 159      |
|                            | 9999428746 | 779           |
|                            | 9999429454 | 779           |
|                            | 9999429648 | 355           |
| <b>STEM</b>                | 9999423679 | 801           |
| <b>STEP</b>                | 9999404188 | 831           |
|                            | 9999408113 | 831           |
|                            | 9999423562 | 151, 381      |
|                            | 9999424209 | 149           |
|                            | 9999425589 | 381           |
|                            | 9999427587 | 381           |
| <b>STEP ASSY</b>           | 9999429558 | 149           |
| <b>STEP ASSY RH DECK</b>   | 9999429970 | 385           |
| <b>STOPPER</b>             | 9999407159 | 373           |

From - SPOOL ASSY

To - STOPPER

# Manitowoc

| Numerical Index |                          | Appendix B             |
|-----------------|--------------------------|------------------------|
| Part            | Description              | Page                   |
| 2018480         | NAMEPLATE, RATING & I.D. | 1029                   |
| 7440030000      | FITTING, STRAIGHT GREASE | 1025, 1029, 1035, 1039 |
| 7576001728      | KIT, SAFETY LATCH        | 1045                   |
| 7785160801      | SET SCREW                | 1025, 1031, 1035, 1039 |
| 90011634        | POTENTIOMETER            | 533                    |
| 90011777        | SPRING, LATCH            | 1029                   |
| 90012357        | RELAY BOX (FUSE OUTSIDE) | 631                    |
| 90012686        | BRACKET                  | 469                    |
| 90012687        | CLAMP                    | 469                    |
| 90013045        | RADIATOR ASSEMBLY        | 781                    |
| 90013047        | BRACKET                  | 773                    |
| 90013073        | BRACKET                  | 753                    |
| 90014052        | SWITCH, PRESSURE         | 475                    |
| 90015669        | RING, E-CLIP             | 1029                   |
| 90015670        | PIN, GROOVE              | 1029                   |
| 9053100003      | PIN, COTTER              | 1029                   |
| 9053100025      | RING, CENTERING          | 1029                   |
| 9053100038      | WASHER,                  | 1029                   |
| 9053100042      | HOOK                     | 1027, 1043             |
| 9053100043      | PIN                      | 1027, 1043             |
| 9053100047      | SPACER                   | 1027, 1043             |
| 9053100051      | PLATE,NAME I.D.          | 1043                   |
| 9053100095      | PLATE, BAR               | 1027, 1043             |
| 9053100096      | RING, CENTERING          | 1027, 1043             |
| 9053100101      | FITTING, 90 DEGREE       | 1027, 1043             |
| 9053100105      | PLATE, BAR               | 1029                   |
| 9053100106      | SPACER                   | 1029                   |
| 9053100107      | PIN                      | 1029                   |
| 9053100109      | HOOK                     | 1029                   |
| 9053100110      | KIT, LATCH               | 1029                   |
| 9053100118      | PIN,LATCH                | 1027, 1043             |
| 9053100119      | FITTING,GREASE           | 1027, 1043             |
| 9053100120      | LINK,CENTER              | 1029                   |
| 9053100122      | LINK, SWIVEL ASSY.       | 1027                   |
| 9053100124      | PIN, CENTER              | 1029                   |
| 9086100009      | END, DEAD                | 1025, 1031, 1035, 1039 |

From - 2018480

To - 9086100009

# Manitowoc

| Numerical Index |                  | Appendix B                           |
|-----------------|------------------|--------------------------------------|
| Part            | Description      | Page                                 |
| 9999406339      | CAP              | 359, 713, 719                        |
| 9999406343      | GAUGE, LEVEL     | 391, 393                             |
| 9999406353      | LABEL            | 1005, 1007, 1013                     |
| 9999406398      | CLIP             | 3, 645                               |
| 9999406399      | CLIP             | 645                                  |
| 9999406402      | CLAMP            | 619                                  |
| 9999406404      | CLAMP            | 619                                  |
| 9999406417      | DRIVER           | 1015                                 |
| 9999406451      | BRG, NEEDLE      | 507                                  |
| 9999406476      | STRIKER          | 191                                  |
| 9999406478      | STRIKER          | 207                                  |
| 9999406500      | PLATE            | 192                                  |
| 9999406525      | GLASS            | 191                                  |
| 9999406527      | PIN              | 835                                  |
| 9999406529      | PIN              | 835                                  |
| 9999406548      | PLUG             | 25, 26, 41, 74, 79, 237,<br>259, 579 |
| 9999406555      | CLIP             | 309                                  |
| 9999406561      | BRACKET          | 544, 552                             |
| 9999406566      | TRAY, ASH        | 543, 551                             |
| 9999406575      | MACHINE SCREW    | 299                                  |
| 9999406583      | SPACER           | 544, 552                             |
| 9999406584      | MACHINE SCREW    | 544, 552                             |
| 9999406623      | PLATE            | 855                                  |
| 9999406624      | BRACKET          | 533                                  |
| 9999406669      | PIN              | 231, 849                             |
| 9999406671      | SPACER           | 231                                  |
| 9999406798      | MOTOR ASSY, HYD  | 803, 805                             |
| 9999406802      | MOTOR, HYD.      | 425                                  |
| 9999406838      | COVER            | 544, 552                             |
| 9999406839      | GRIP             | 683, 959                             |
| 9999406847      | COVER            | 544, 552                             |
| 9999406859      | DRYER, AIR       | 303                                  |
| 9999406860      | FILTER ASSY, AIR | 303                                  |
| 9999406862      | VALVE ASSY       | 304                                  |
| 9999406867      | CORE             | 303                                  |

From - 9999406339

To - 9999406867

# Manitowoc

| Numerical Index |                     | Appendix B   |
|-----------------|---------------------|--|
| Part            | Description         | Page   |
| 9999420588      | HOSE ASSY           | 245  |
| 9999420597      | HOSE ASSY           | 45   |
| 9999420607      | HOSE ASSY           | 49   |
| 9999420612      | HOSE ASSY           | 49   |
| 9999420613      | HOSE ASSY           | 49   |
| 9999420735      | HOSE ASSY           | 463  |
| 9999420764      | HOSE ASSY           | 73   |
| 9999420769      | HOSE ASSY           | 261  |
| 9999420780      | HOSE ASSY           | 463  |
| 9999420790      | HOSE ASSY           | 463  |
| 9999420860      | HOSE ASSY           | 453  |
| 9999420917      | HOSE ASSY           | 959  |
| 9999420920      | HOSE ASSY           | 959  |
| 9999421017      | HOSE ASSY           | 15   |
| 9999421039      | HOSE ASSY           | 261  |
| 9999421104      | HOSE ASSY           | 473  |
| 9999421128      | HOSE ASSY           | 473  |
| 9999421134      | HOSE ASSY           | 473  |
| 9999421143      | HOSE ASSY           | 959  |
| 9999421152      | HOSE ASSY           | 473  |
| 9999421157      | HOSE ASSY           | 473  |
| 9999421167      | SPACER              | 859  |
| 9999421186      | ELEMENT             | 483  |
| 9999421198      | BEARING, ROLLER     | 939  |
| 9999421210      | ELBOW, 90           | 25, 61, 237, 431, 433, 451, 743                    |
| 9999421224      | BOX, TOOL           | 1015   |
| 9999421228      | HORN                | 655  |
| 9999421253      | POTENTIOMETER       | 745, 747   |
| 9999421256      | SPEAKER             | 707  |
| 9999421261      | VALVE ASSY, CONTROL | 567  |
| 9999421341      | NIPPLE, GREASE      | 6, 9, 505, 529, 835, 845, 929, 931, 933, 939, 1017 |
| 9999421342      | NIPPLE, GREASE      | 173, 175, 233, 857, 889, 931, 933, 939, 1017       |
| 9999421346      | NUT                 | 207, 561, 571, 745, 747, 971, 981                  |

From - 9999420588

To - 9999421346

# Manitowoc

| Numerical Index |                 | Appendix B |
|-----------------|-----------------|------------|
| Part            | Description     | Page       |
| 9999422922      | BRACKET         | 207        |
| 9999422924      | BRACKET         | 207        |
| 9999422927      | BRACKET         | 207        |
| 9999422930      | PIN             | 693, 697   |
| 9999422931      | SHACKLE         | 693, 697   |
| 9999422934      | FLANGE          | 481        |
| 9999422936      | PLATE, KEEPER   | 807, 811   |
| 9999422937      | RETAINER        | 808, 812   |
| 9999422939      | WASHER, THRUST  | 807, 811   |
| 9999422940      | WASHER, THRUST  | 807, 811   |
| 9999422941      | COUPLING        | 807, 811   |
| 9999422951      | PEDAL           | 745, 747   |
| 9999422952      | BRACKET         | 745, 747   |
| 9999422953      | PIN             | 951        |
| 9999422954      | CONNECTOR       | 41, 579    |
| 9999422956      | HOSE ASSY       | 25         |
| 9999422957      | HOSE ASSY       | 25         |
| 9999422959      | PIN             | 593        |
| 9999422969      | COVER           | 687        |
| 9999422970      | PLATE           | 597        |
| 9999422978      | COVER           | 827        |
| 9999422979      | COVER           | 827        |
| 9999423000      | PIN             | 487, 511   |
| 9999423001      | PIN             | 403        |
| 9999423003      | PLATE, KEEPER   | 403        |
| 9999423004      | PLATE, KEEPER   | 487, 511   |
| 9999423005      | SLEEVE          | 5          |
| 9999423006      | SPACER          | 5          |
| 9999423007      | PIN             | 5          |
| 9999423008      | WASHER, THRUST  | 5          |
| 9999423009      | PINION          | 5          |
| 9999423010      | BEARING, NEEDLE | 5          |
| 9999423011      | RING, RETAINING | 5          |
| 9999423012      | WASHER, THRUST  | 5          |
| 9999423013      | PINION          | 5          |
| 9999423014      | BEARING, NEEDLE | 5          |

From - 9999422922

To - 9999423014

# Manitowoc

| Numerical Index |                                  | Appendix B                  |
|-----------------|----------------------------------|-----------------------------|
| Part            | Description                      | Page                        |
| 9999424338      | RELAY                            | 304                         |
| 9999424339      | CLAMP                            | 303                         |
| 9999424340      | LABEL                            | 993                         |
| 9999424341      | LABEL                            | 987                         |
| 9999424343      | LABEL                            | 987                         |
| 9999424348      | VALVE ASSEMBLY - SOLENOID 12 VOL | 253                         |
| 9999424350      | TRIM                             | 192                         |
| 9999424353      | CONNECTOR                        | 457                         |
| 9999424354      | VALVE, SAFETY                    | 303                         |
| 9999424355      | RIVET                            | 191                         |
| 9999424357      | HOLDER                           | 191                         |
| 9999424358      | ELBOW, 90                        | 41, 457, 579, 795           |
| 9999424359      | CONNECTOR                        | 463                         |
| 9999424360      | CLIP                             | 754, 769, 773, 777          |
| 9999424362      | CLIP                             | 309, 417, 787               |
| 9999424363      | CLIP                             | 981                         |
| 9999424364      | CLIP                             | 754                         |
| 9999424366      | CLIP                             | 754, 975, 979               |
| 9999424368      | CLIP                             | 754, 779                    |
| 9999424369      | CLIP                             | 754                         |
| 9999424372      | CLIP                             | 773, 777                    |
| 9999424373      | CLIP                             | 25, 237                     |
| 9999424374      | CLIP                             | 13                          |
| 9999424375      | CLIP                             | 13                          |
| 9999424376      | CLIP                             | 26, 65                      |
| 9999424378      | CLIP                             | 13                          |
| 9999424384      | CLAMP                            | 695, 699                    |
| 9999424391      | CLIP                             | 173, 233, 591, 593, 681     |
| 9999424392      | CLIP                             | 9, 689, 754, 769            |
| 9999424393      | CLIP                             | 469                         |
| 9999424394      | CLIP                             | 35, 309, 469                |
| 9999424395      | CLIP                             | 469                         |
| 9999424396      | CLIP                             | 73, 261, 469, 655           |
| 9999424397      | CLIP                             | 261                         |
| 9999424398      | CLIP                             | 73, 291, 309, 469, 655, 754 |
| 9999424399      | CLIP                             | 51                          |

From - 9999424338

To - 9999424399

CLICK HERE TO **DOWNLOAD** THE COMPLETE MANUAL

- Thank you very much for reading the preview of the manual.
- You can download the complete manual from: [www.heydownloads.com](http://www.heydownloads.com) by clicking the link below



- Please note: If there is no response to CLICKING the link, please download this PDF first and then click on it.

CLICK HERE TO **DOWNLOAD** THE COMPLETE MANUAL