

Manitowoc

TRADITIONAL CRANE PARTS MANUAL

This manual has been prepared for and is considered part of

3900

Model

39270

Serial Number

GROUP A = Rotating Structure (Includes rotating bed, operator's cab, cases, fuel tanks, transfer pump, counterweights, guards, platforms, catwalks, machinery enclosure, horn)

GROUP B = Upperworks Machinery (Includes front, rear, and auxiliary drums, boom hoist, swing and drive shafts, hand levers, foot pedals, control linkage, rotation indicators, upperworks hydraulic components, hydraulic piping, hydraulic oil reservoir, lubrication pump and piping, blowers)

GROUP C = Air Components & Electrical (Includes control console, air piping, electric wiring, auxiliary light plant and lighting, TV monitoring, compressor and air tank)

GROUP D = Power Components - Upperworks (Includes engine or motor, radiator, auxiliary power plant, take off converters and piping, controls, VICON power lowering, torque limiter, hydraulic pumps and piping, fuel piping, battery box)

GROUP E = Lower Structure & Control (Includes carbody, crawlers, travel shafts and control, steering travel locks, hydraulic travel, travel power outriggers, carrier, pedestal, lowerworks hydraulic piping, RINGER components, barge mounting and machinery, spud drums)

GROUP F = Attachments (Includes booms, jibs, masts, tower, wire rope guides, equalizer, gantry, fairlead, timber guards, boom angle indicator, block-up limit, tag line, hook block, weight ball, upper and lower boom point, wind speed indicator, crowd and retract dipper sticks, dippers,)

O-NUMBER SECTION = (Includes lacing drawings and purchased component parts drawings referenced in sections A through F)

This manual is arranged in sections as listed above. Sections A through F are arranged by group numerical order with an index after each section tab. An alphabetical index for groups A Through F combined is located after the O-number Section. The O-number section is arranged in numerical order by O-number. Following this cover page are the Basic Specifications, Warranty Information, Tool List (if applicable) Outline Dimensions, Weights, and Dealer Listing.

CLICK HERE TO **DOWNLOAD** THE COMPLETE MANUAL

- Thank you very much for reading the preview of the manual.
- You can download the complete manual from: www.heydownloads.com by clicking the link below



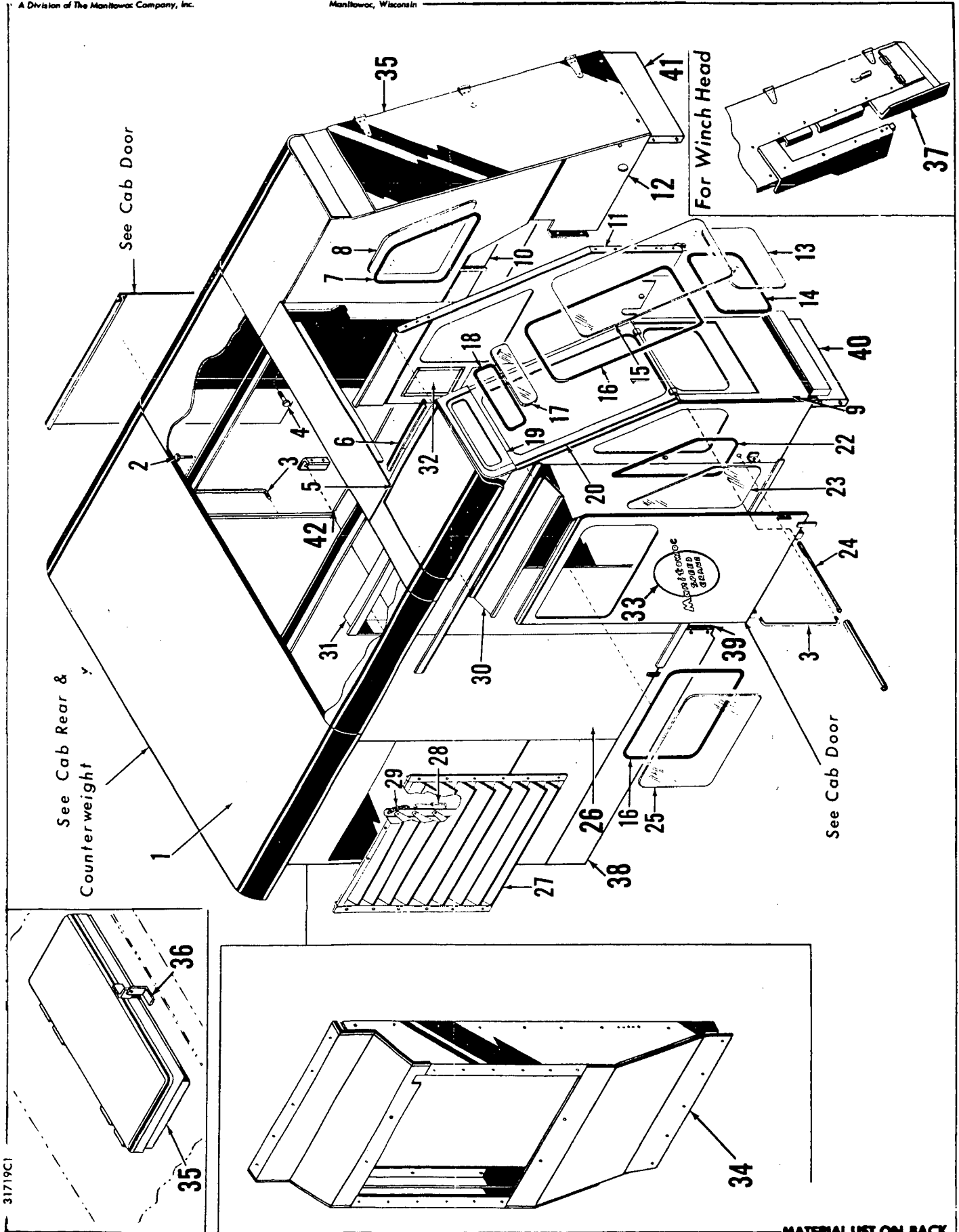
- Please note: If there is no response to CLICKING the link, please download this PDF first and then click on it.

CLICK HERE TO **DOWNLOAD** THE COMPLETE MANUAL

MANITOWOC ENGINEERING CO.

A Division of The Manitowoc Company, Inc.

Manitowoc, Wisconsin



31719C1

MATERIAL LIST ON BACK

CAB

MASTER

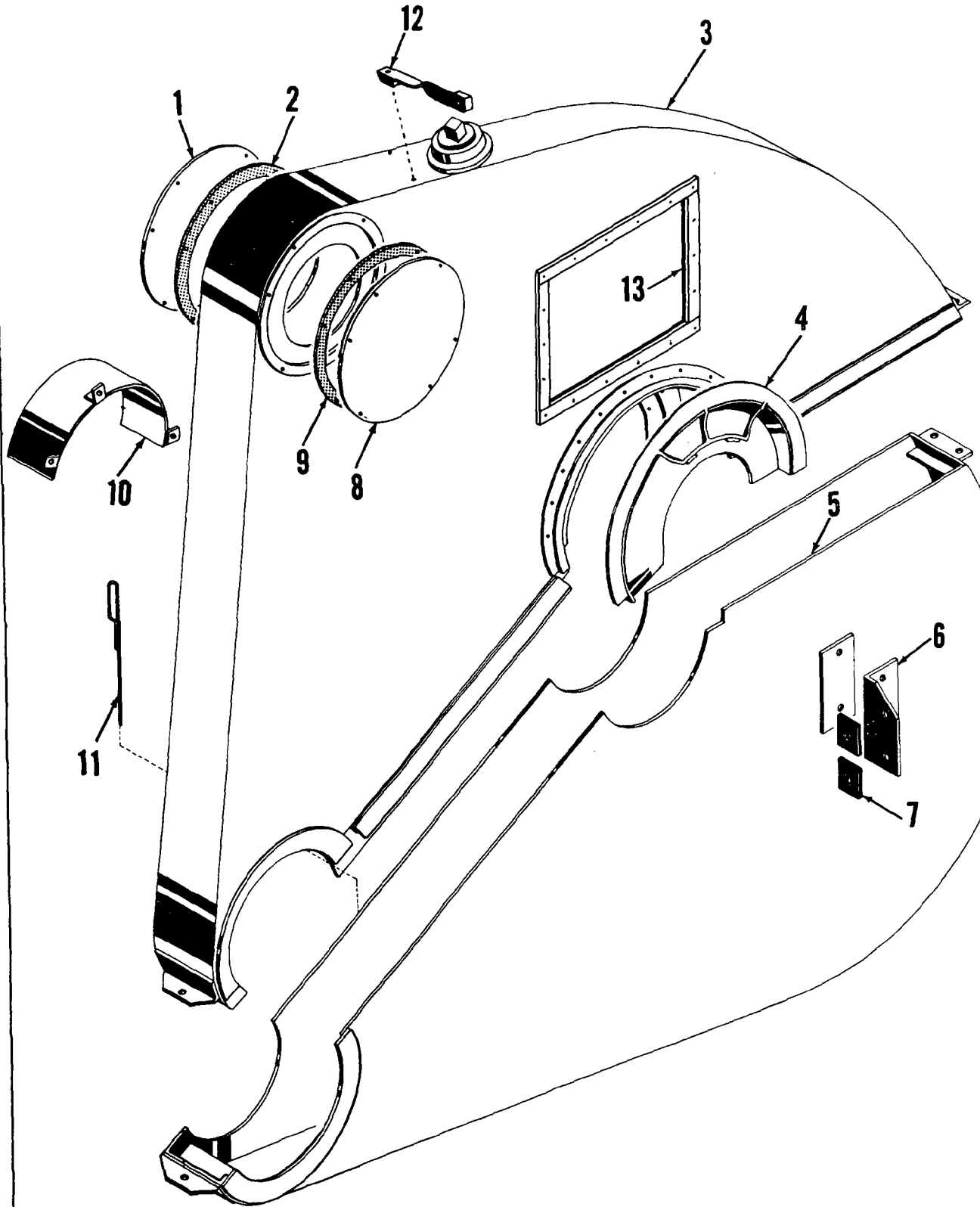
31719 C1

MANITOWOC ENGINEERING CO.

A Division of The Manitowoc Company, Inc.

Manitowoc, Wisconsin

MASTER



41949 B1

MATERIAL LIST ON BACK

GEAR CASE

42014-1 Cont.	REV. K	MODEL 3000-3100-3400-3600-3900
---------------	-----------	-----------------------------------

PLATFORM

REF. NO.	PART NUMBER	QUANTITY REQUIRED	DESCRIPTION OF PART	VENDORS PART NO.
26	23378	1	ANGLE W/capscrews, hex nuts and lockwashers	
27	23381	1	PLATE, Floor W/capscrews, hex nuts and lockwashers	
28	19760	1	ANGLE, Floor W/capscrews and lockwashers (For Ind. Swing)	
29	19749	1	PLATE, Left Inner Front (Air Control) W/capscrews, hex nuts, cut washers and lockwashers	
30	21726	1	GUARD, Brake Pedal (M3000-3100)	
31	19939	1	PLATE, Left Middle Inner Floor W/capscrews, hex nuts and lockwashers	
32	19940	1	CLIP, Floor Plate (Ind. Swing)	
33	77094	1	STEP W/capscrews, hex nuts and lockwashers	
34	136092	1	BRACE W/capscrews, hex nuts and lockwashers	
			NOTE 1: Mach. W/Spring applied, air released parking brake w/air service brake, delete Ref. Nos. 3 and 5 and use the following:	
35	182152	1	SUPPORT W/capscrews and lockwashers	
			NOTE 2: Part #31965 or 163087 (see Note 4) for use w/manual or air applied non-toggle drum brake.	
			NOTE 3: Part #190730 for use w/air applied toggle type drum brakes and cannot be used w/manual slide pinion, manual swing brake or ind. swing control.	
			NOTE 4: After 12-19-83 design change on Model 3900 with DRUM BRAKE PEDAL LOCK (see page B12.3) delete 31965 and use . . .	
21	163087	1	SUPPORT W/capscrews, set screws, hex nuts, jam nuts, lockwashers and grease fittings	

Run as Front

PLEASE GIVE MACHINE S/N W/ORDER

REV. K	42014 - 1
-----------	-----------

GROUP B - Upperworks Machinery

22880 - 1 Cont.	REV. J	MODEL 3900, 3900T, 3900W
-----------------	--------	--------------------------

SWING SHAFT

REF. NO.	PART NUMBER	QUANTITY REQUIRED	DESCRIPTION OF PART	VENDORS PART NO.		
			<u>PINIONS FOR MACHS. PRIOR TO DESIGN CHANGE OF JUNE 16, 1964</u>			
18	23012		PINION (std. size)			
18	23017		PINION (3/16" undersize)			
18	23018		PINION (1/4" oversize)			
18	23019		PINION (3/4" oversize)			
18	23027		PINION (1/8" oversize)			
18	23028		PINION (3/8" oversize)			
18	23029		PINION (1/2" oversize)			
18	23030		PINION (5/8" oversize)			
			<p><u>NOTE 1:</u> Machines after design change of 6-19-81 have a shrink fit of the pinion (Ref. No. 18) on the shaft (Ref. No. 12). These machines can be identified by the 6" overall diameter of the pinion retainer (Ref. No. 19). For machines with a pinion which has been shrunk fit delete above Ref. Nos. 17, 19, and 20, and replace with dirt guard 147348 (1/2" thick), pinion retainer 143795 (6" O.D.) and capscrews 621735 (5/8" - 18 NF x 2" lg. w/3/32" hole in hd.).</p> <p>Use Never-seez or equivalent under heads and on threads of capscrews 621730 and torque to 135 ft. lbs. while pinion is still hot.</p>			
				<table border="1"> <tr> <td>REV. J</td> <td>22880 - 1</td> </tr> </table>	REV. J	22880 - 1
REV. J	22880 - 1					

PLEASE GIVE MACHINE S/N W/ORDER

22880

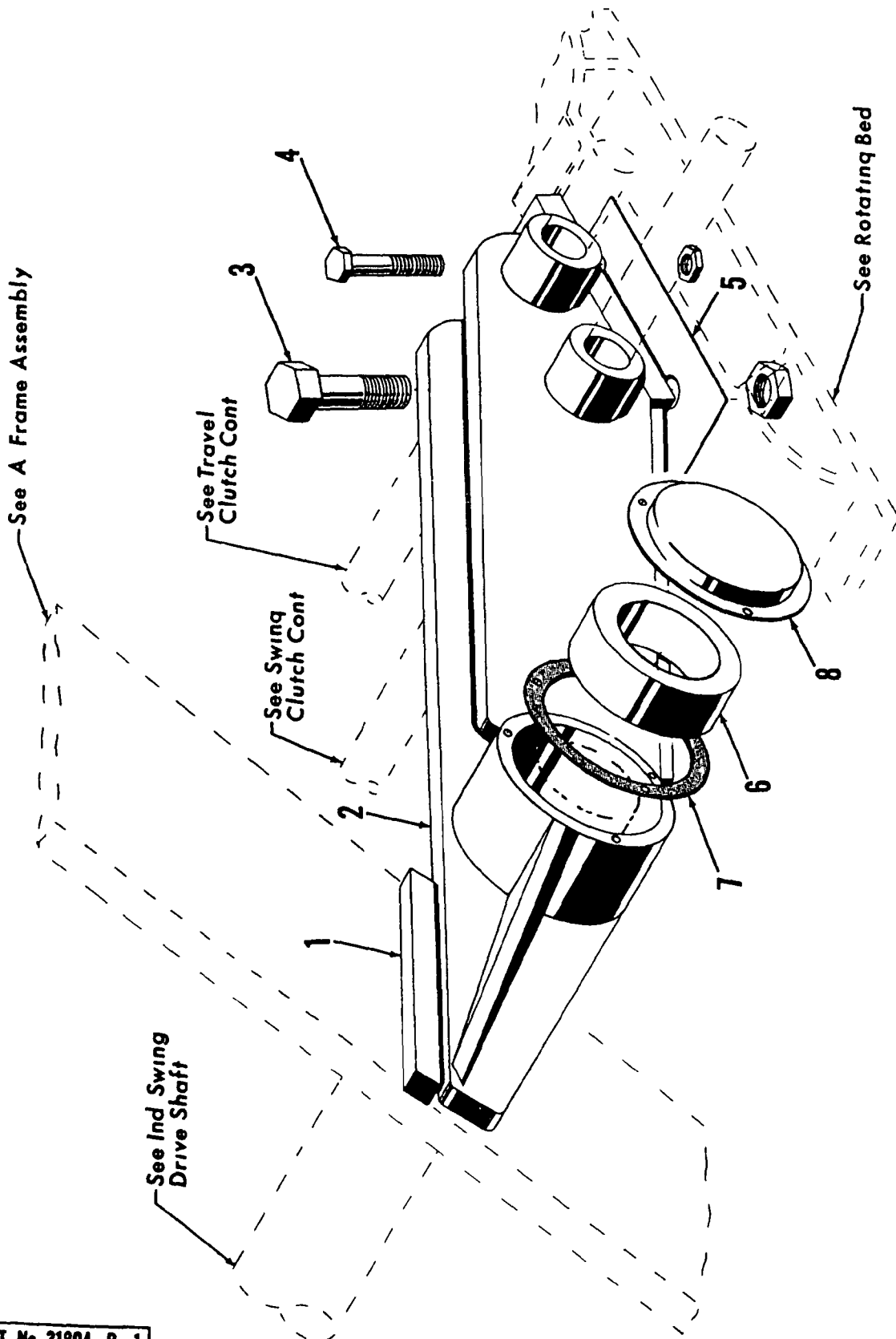
Run As A Cont

22880

14000

14000

14000

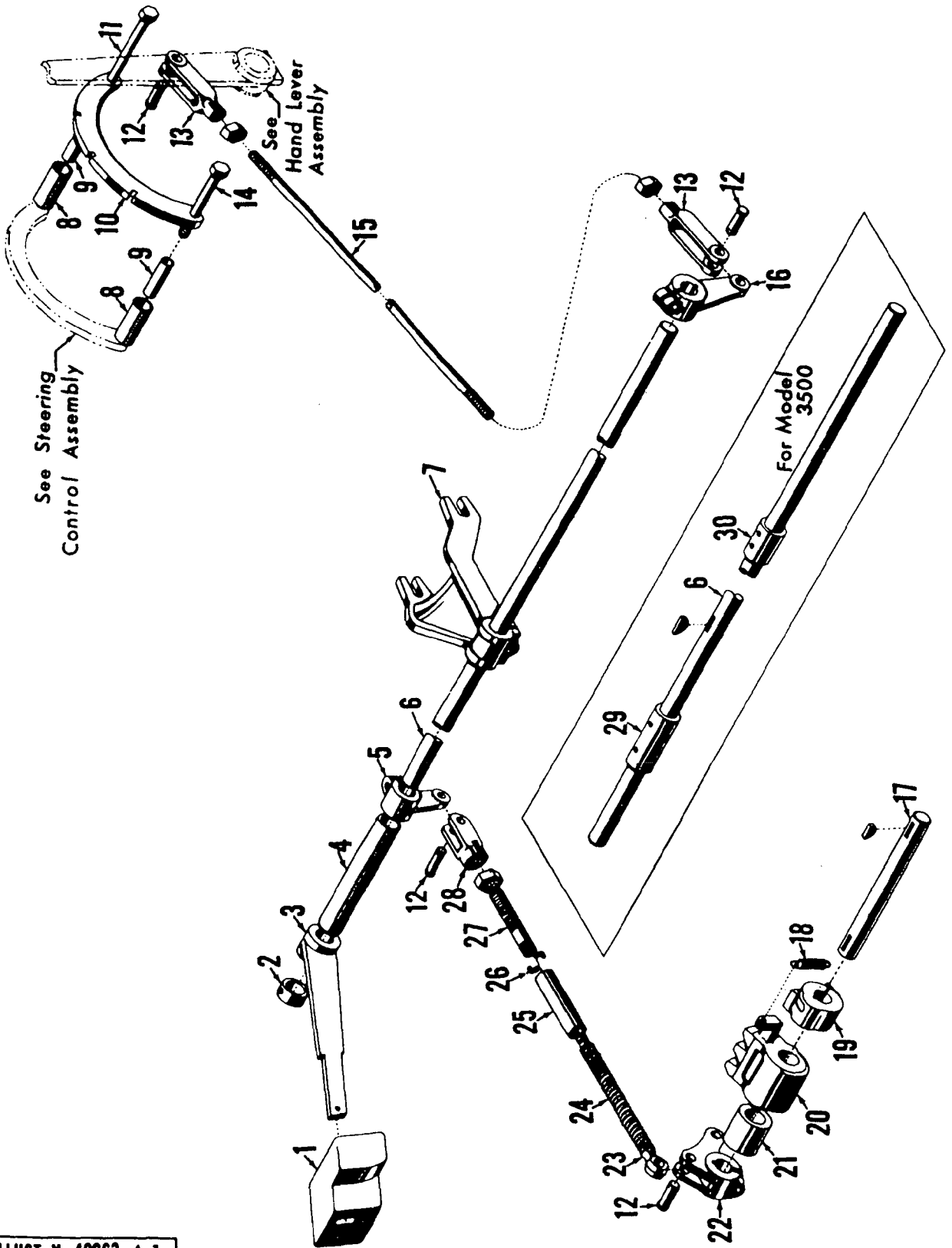


MASTER

MANITOWOC ENGINEERING CO.

A Division of The Manitowoc Company, Inc.

Manitowoc, Wisconsin



ILLUST. No. 40663-A-1.

MATERIAL LIST ON BACK

SLIDE PINION CONTROL

Q2/B

40663-A-1

CPT

41482-1 Cont.	REV. I	MODEL 3000 - 3900 INCL.
---------------	--------	-------------------------

IND. BOOM HOIST

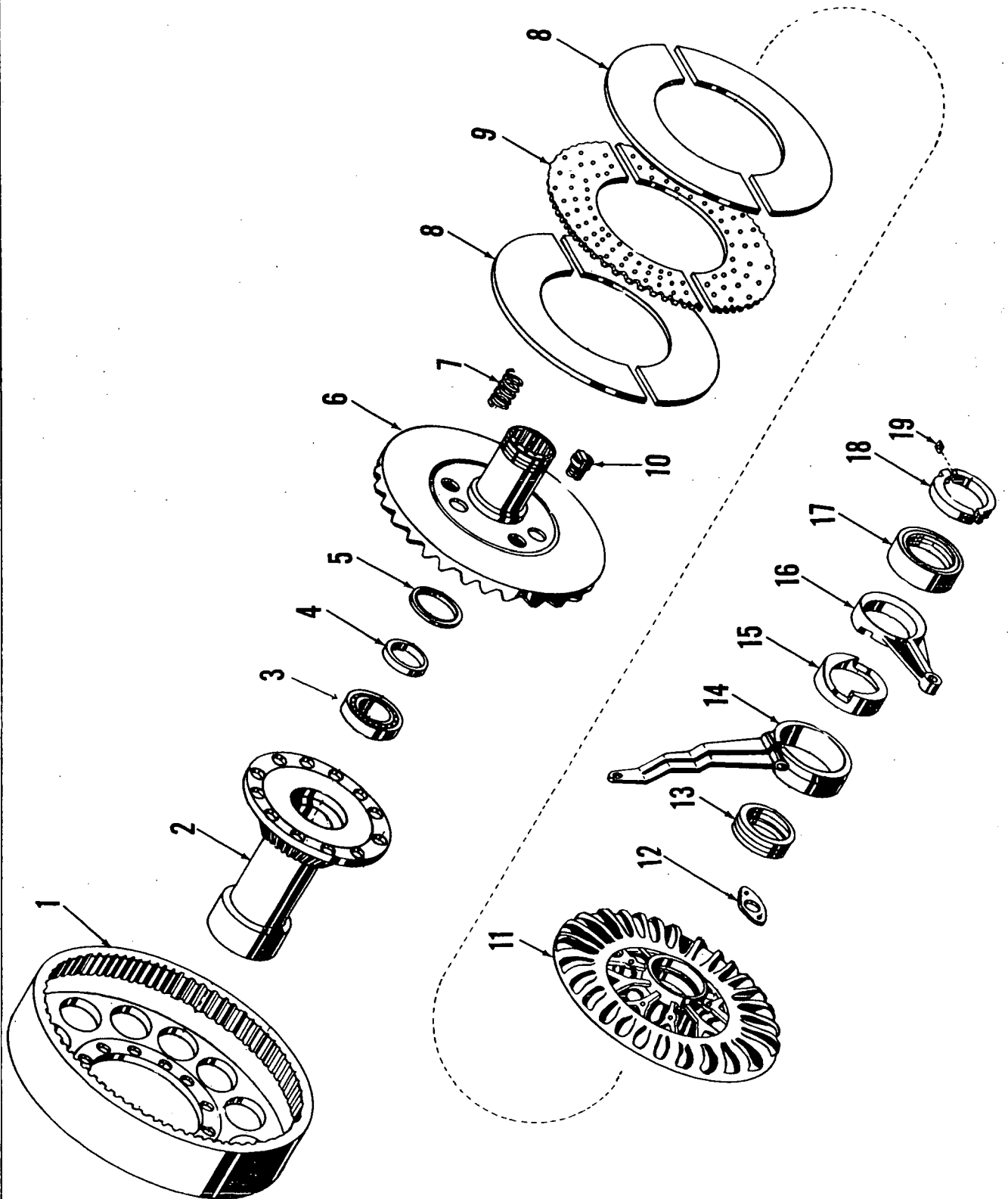
Run as a Front

REF. NO.	PART NUMBER	QUANTITY REQUIRED	DESCRIPTION OF PART	VENDORS PART NO.
46	22317	1	ADAPTER w/capscrews and gr. fitting	
47	622507	2	SEAL, Oil	
48	22344	1	ADAPTER	
49	19300	1	SPACER	
50	19301	1	SLINGER, Oil	
51	22702	1	PLATE, Cover w/capscrews and lockwashers	
52	17651	1	GASKET	
53	12782	1	COVER w/capscrews and lockwashers	
57	596666	1	GASKET, "O" Ring	
58	596744	1	GASKET, "O" Ring	
59	18427	1	PLATE, Lubricating instructions	
62	12387	1	WEDGE (7/8" cable)	
62	12388	1	WEDGE (1" cable)	
62	1171	1	WEDGE (3/4" cable)	
<u>FOR M-3000-3100-3400-3900A W/AIR CONTROL SWING CLUTCHES</u>				
55	257195	12	BOLT, Coupling	
60	257170	3	BOLT, Coupling	
61	257177	1	BOLT, Coupling	
<u>FOR M-3600-3900B W/AIR CONTROL SWING CLUTCHES</u>				
55	257195	16	BOLT, Coupling	
<u>FOR MACHINES W/MANUAL CONTROL SWING CLUTCHES</u>				
55	257195	15	BOLT, Coupling	
60	257160	1	BOLT, Coupling	

PLEASE GIVE MACHINE S/N W/ORDER

REV. I	41482 - 1
--------	-----------

41482 I



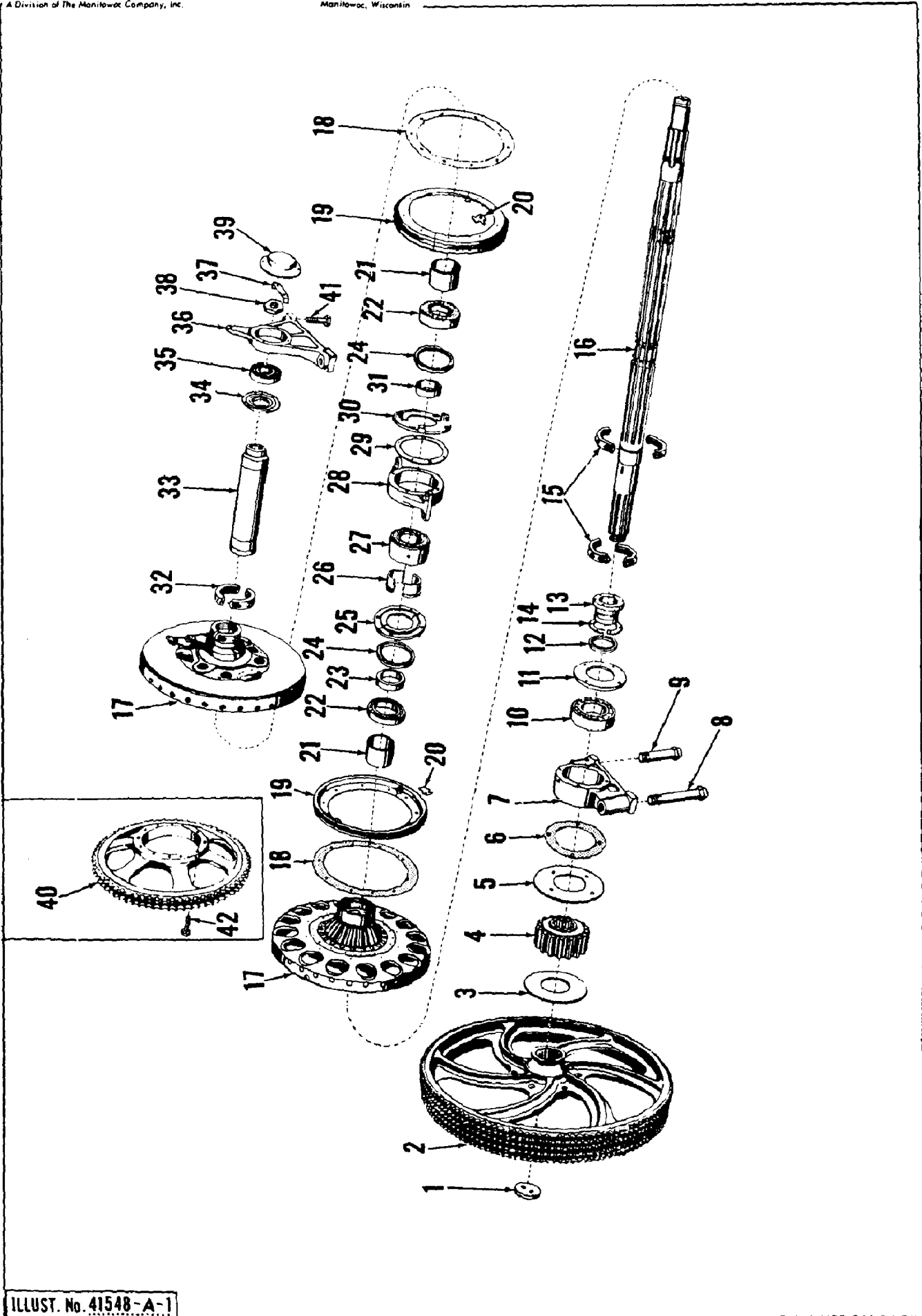
ILLUST. No. 41743-A-2

MATERIAL LIST ON BACK

CLUTCH ASSEMBLY - INDEPENDENT SWING DRIVE SHAFT

MASIEK

71142-66



ILLUST. No. 41548-A-1

MATERIAL LIST ON BACK

MAIN DRIVE SHAFT

CLICK HERE TO **DOWNLOAD** THE COMPLETE MANUAL

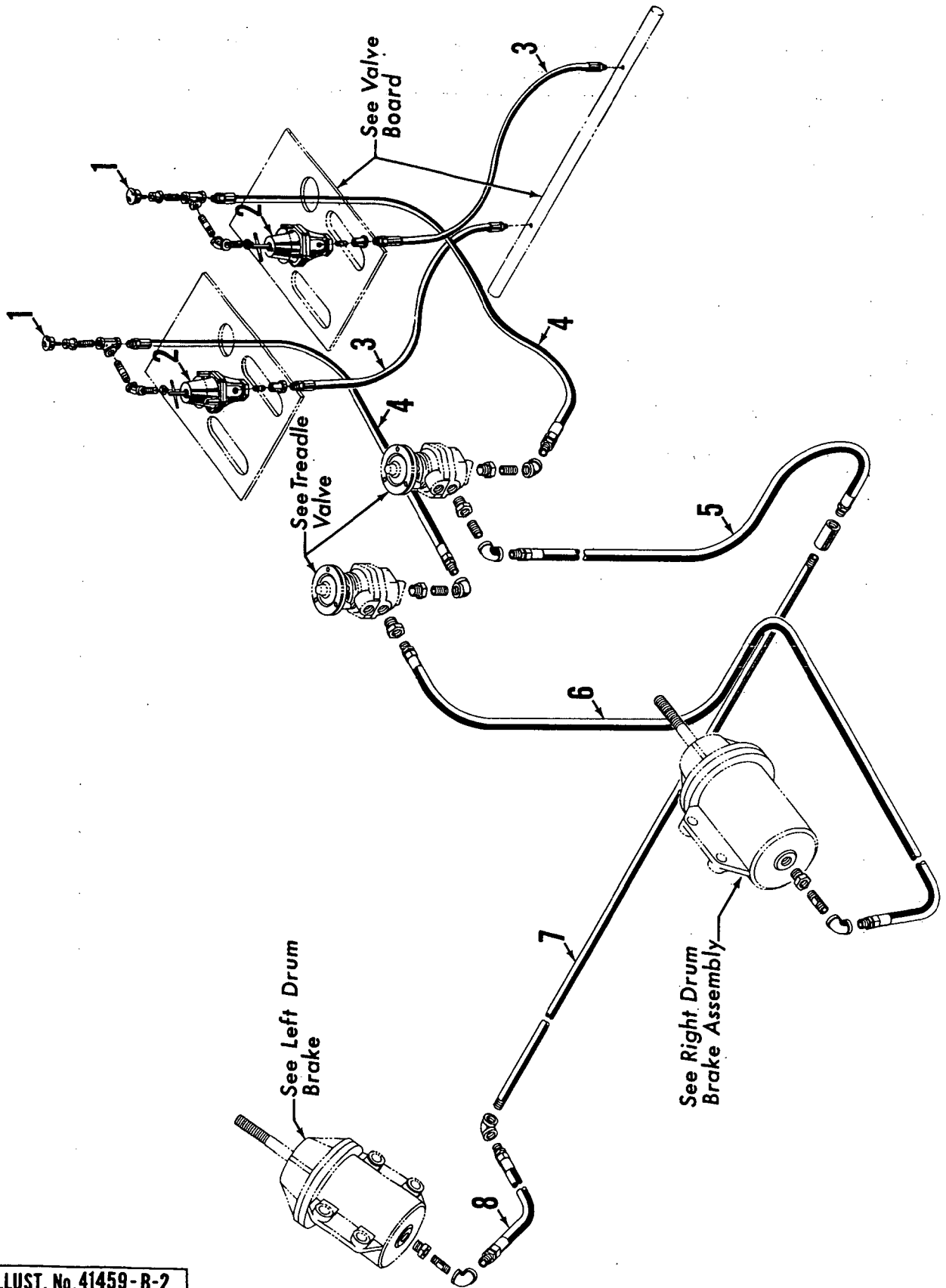
- Thank you very much for reading the preview of the manual.
- You can download the complete manual from: www.heydownloads.com by clicking the link below



- Please note: If there is no response to CLICKING the link, please download this PDF first and then click on it.

CLICK HERE TO **DOWNLOAD** THE COMPLETE MANUAL

GROUP C - Air Components & Electrical



ILLUST. No. 41459-B-2.

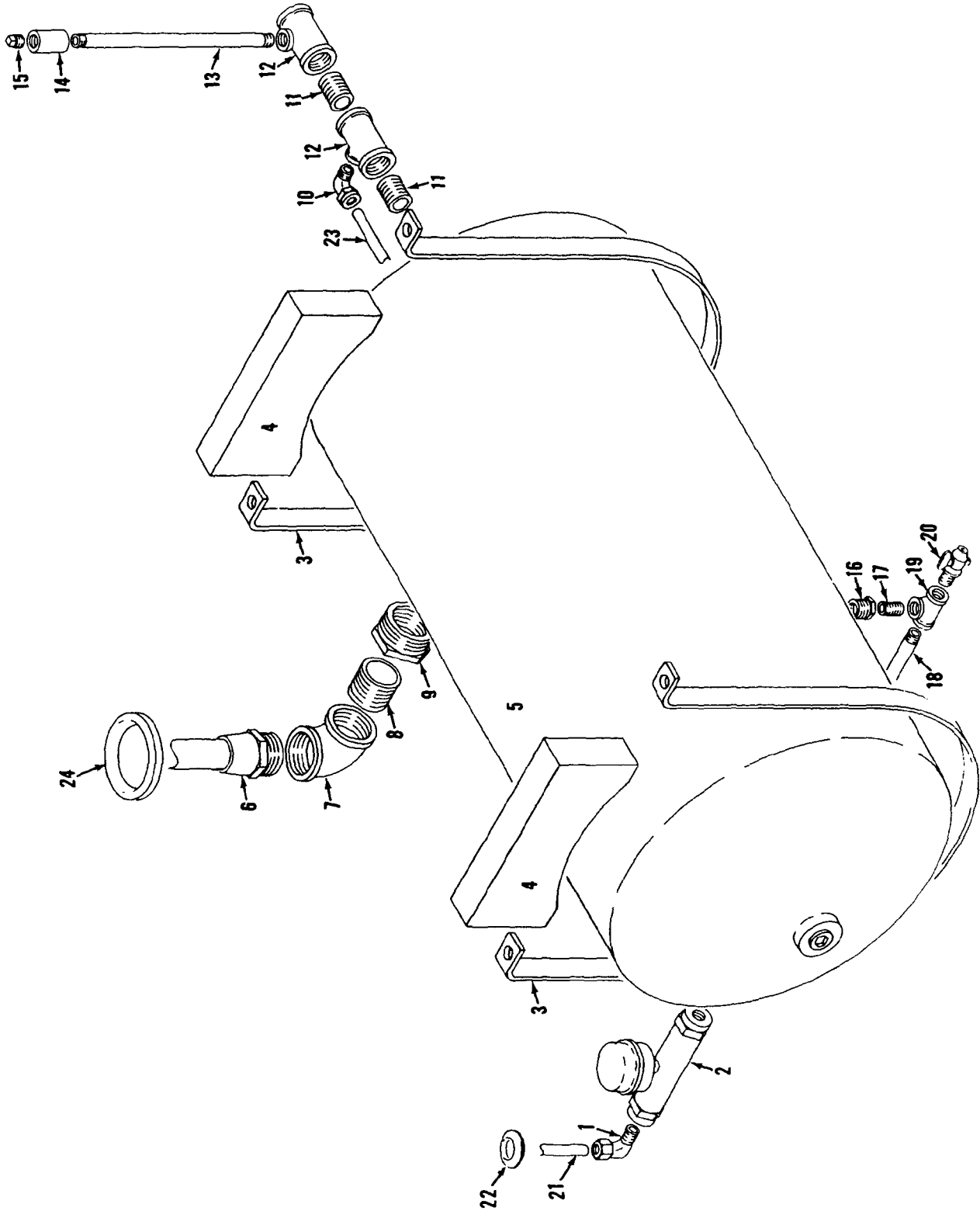
MATERIAL LIST ON BACK

AIR PIPING FOR DRUM BRAKES

MANITOWOC ENGINEERING CO.

A Division of The Manitowoc Company, Inc.

Manitowoc, Wisconsin



4201383

MATERIAL LIST ON BACK

AIR TANK

48013 B3

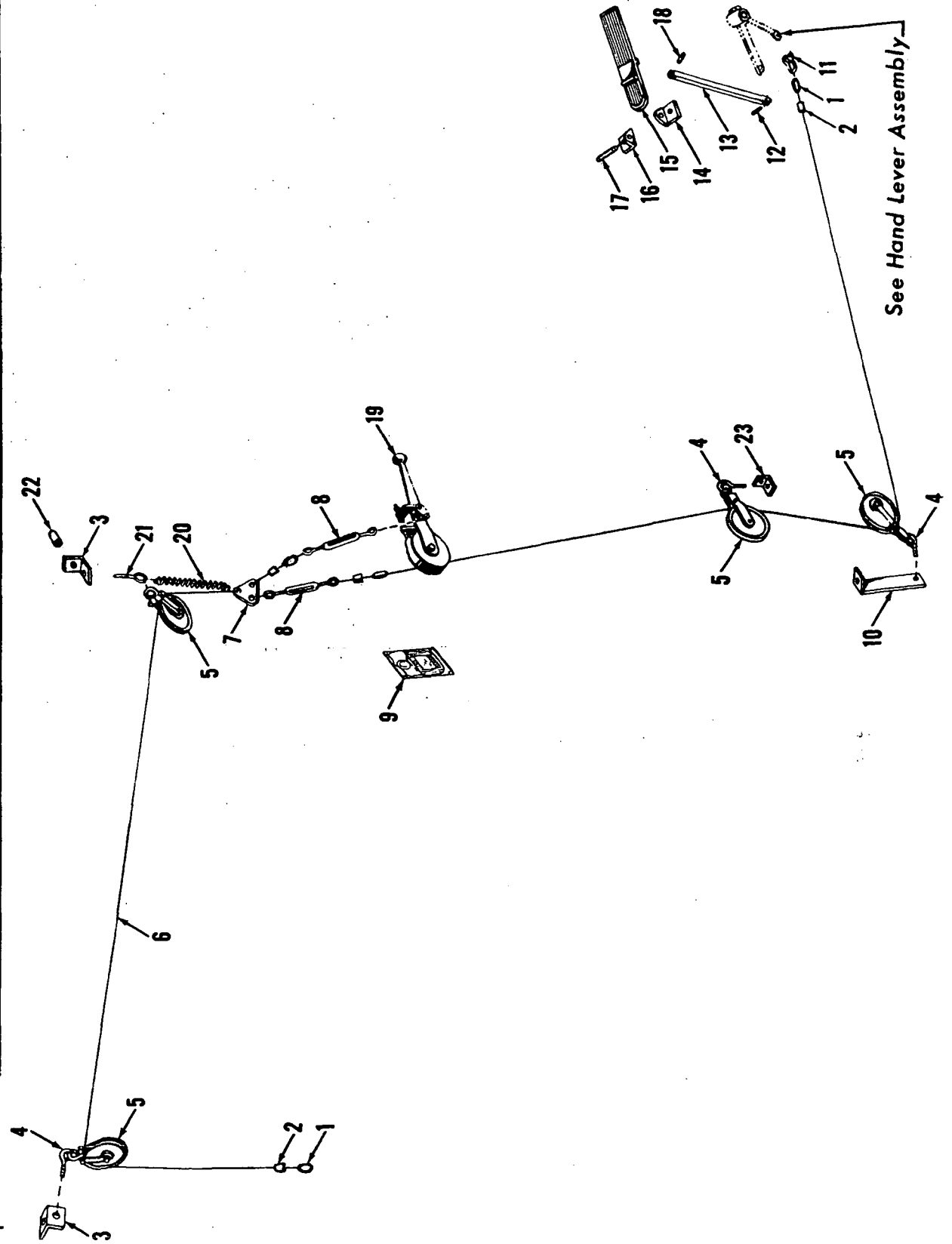
MANITOWOC ENGINEERING CO.

A Division of The Manitowoc Company, Inc.

Manitowoc, Wisconsin

MANILA

30268-B-1



See Hand Lever Assembly

MATERIAL LIST ON BACK

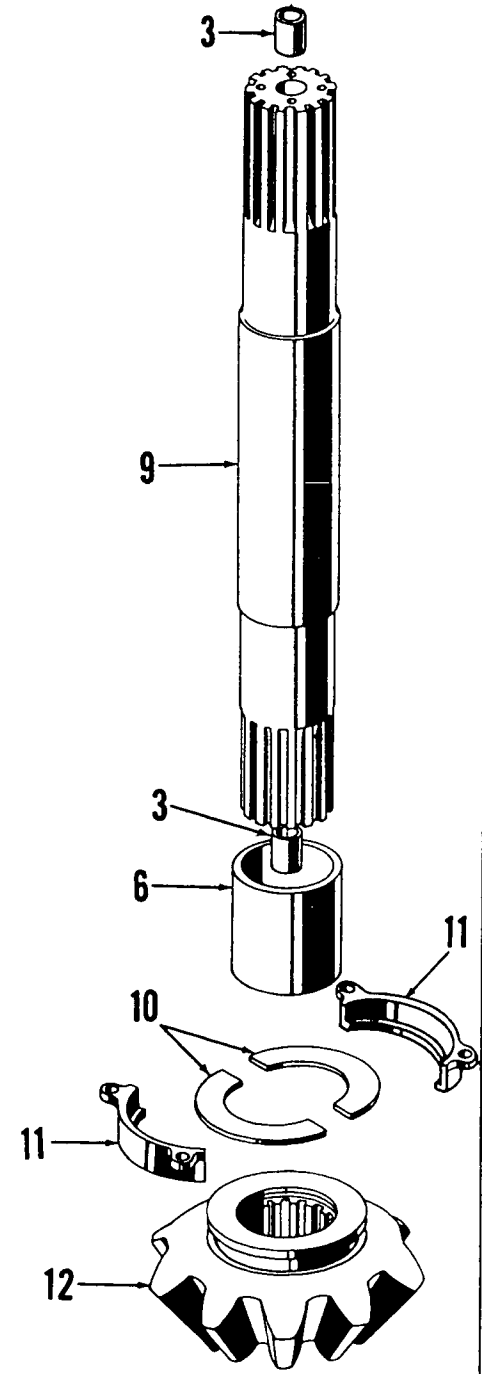
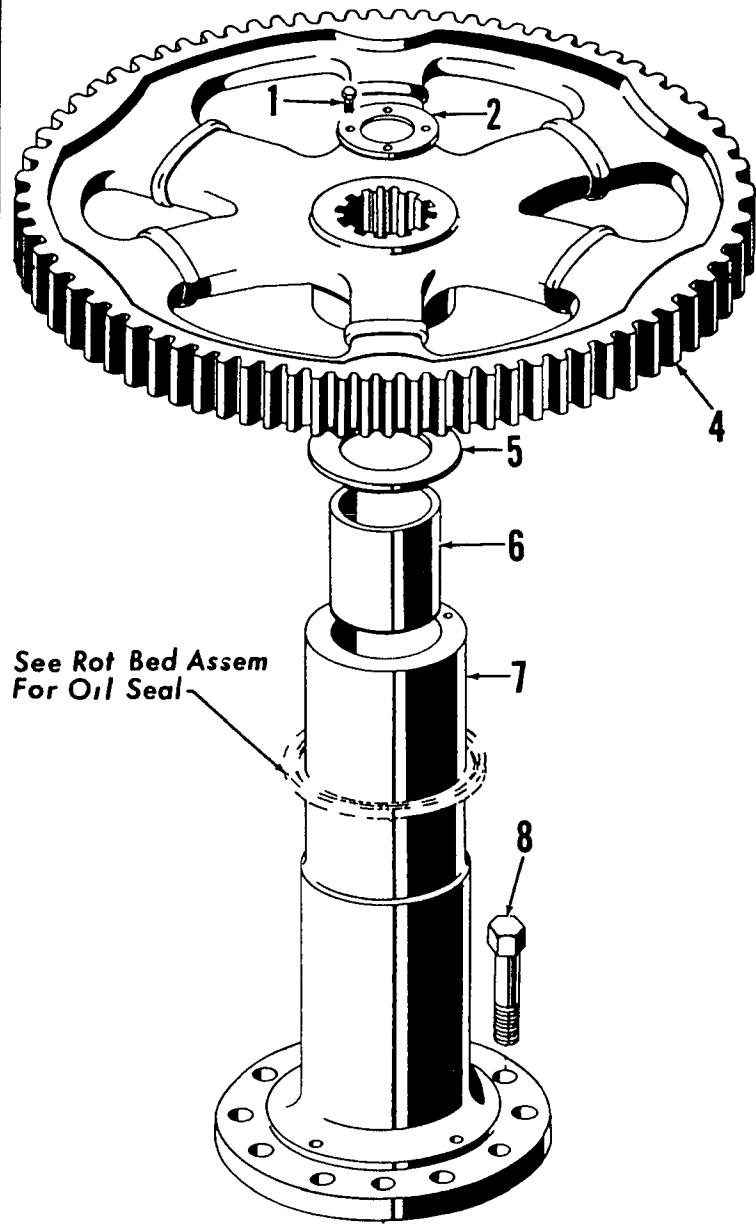
GOVERNOR CONTROL ASSEMBLY

GROUP E - Lower Structure & Control

MANITOWOC ENGINEERING CO

A Division of The Manitowoc Company Inc

Manitowoc Wisconsin



ILLUST No 31608-A-1

MATERIAL LIST ON BACK

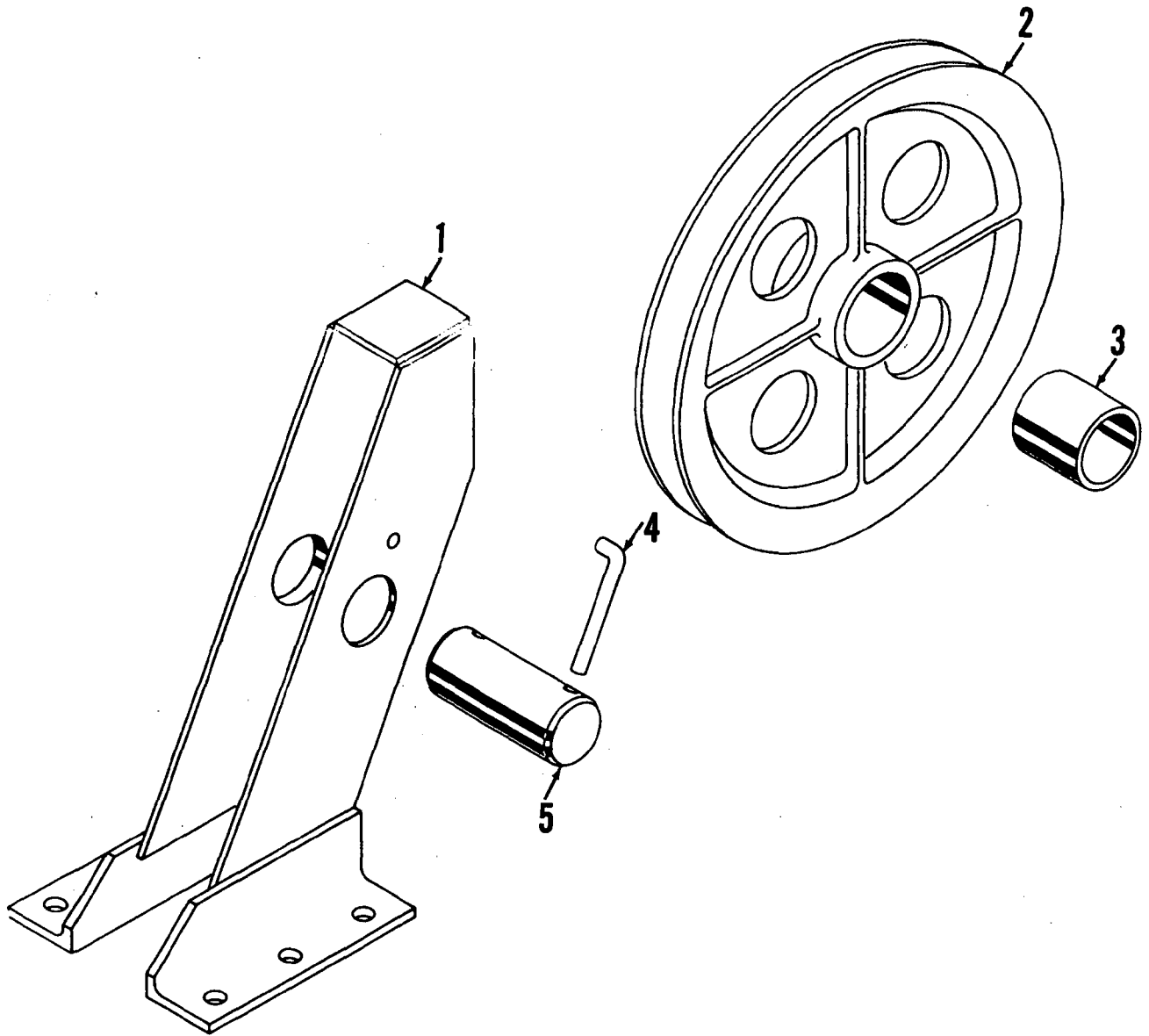
KING PIN & VERTICAL TRAVEL SHAFT ASSEMBLY

21608 A-1

MANITOWOC ENGINEERING CO.

A Division of The Manitowoc Company, Inc.

Manitowoc, Wisconsin



ILLUST. No. 23949-A-1

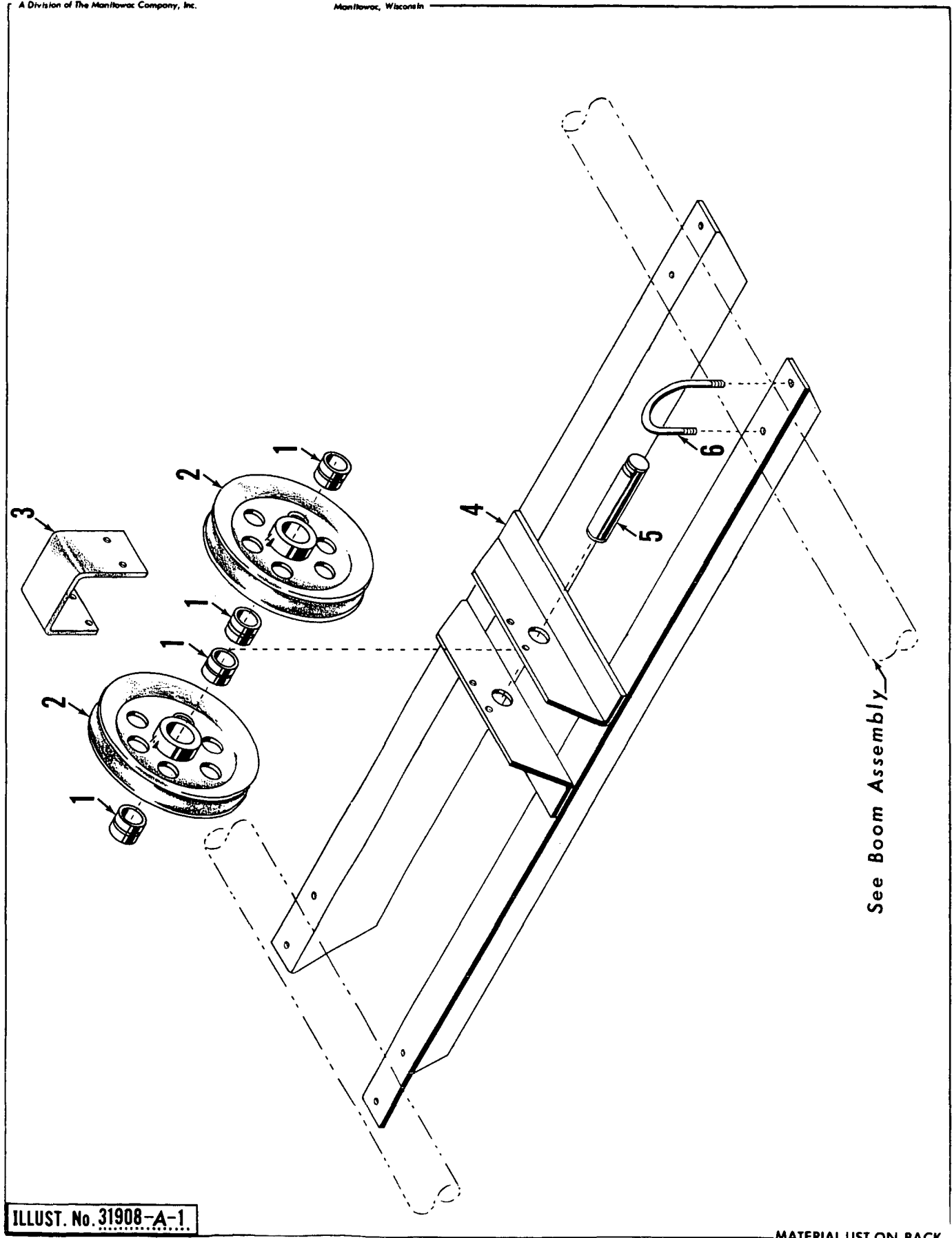
MATERIAL LIST ON BACK

JIB ROPE GUIDE

MANITOWOC ENGINEERING CO.

A Division of The Manitowoc Company, Inc.

Manitowoc, Wisconsin

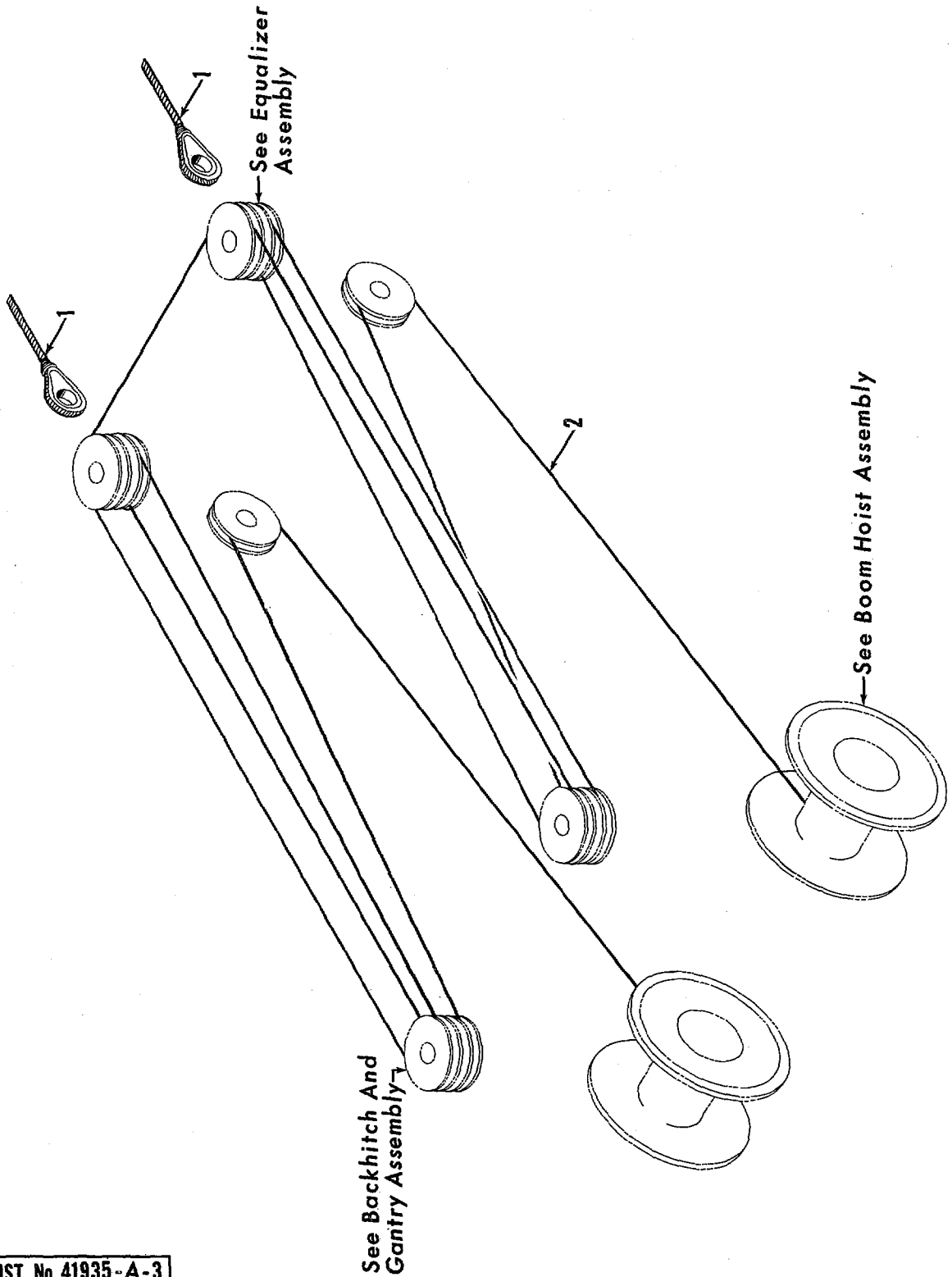


See Boom Assembly

ILLUST. No. 31908-A-1

MATERIAL LIST ON BACK

CABLE GUIDE



ILLUST. No. 41935-A-3

MATERIAL LIST ON BACK

BOOM HOIST REEVING DIAGRAM

O-NUMBER NUMERICAL INDEX

PUBLICATION	REV
0-71	-
0-72	B
0-113	-
0-114	-
0-147	D2
0-148	-
0-156	D
0-173	A
0-241	A
0-241	B
0-315	B1

MANITOWOC ENGINEERING CO.

Division of The Manitowoc Company, Inc.

Manitowoc, Wisconsin 54220



TUBING (soft copper)

Code No.	Tube O.D.
696205	3/16
696210	1/4
696214	5/16
696216	3/8
696218	1/2
696219	5/8
696220	3/4



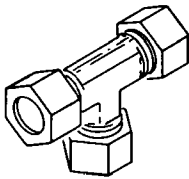
NUT

Code No.	Tube O.D.
424603	3/8
424604	1/2
424605	3/4
424633	5/16
424634	1/4
424635	3/16



FERRULE

Code No.	Tube O.D.
424600	1/4
424601	3/4
424602	3/8
424616	5/16
424617	1/2
424618	1/8
424619	3/16



UNION TEE

Code No.	Tube O.D.
429315	1/4
429316	3/8
429317	5/16



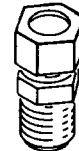
UNION

Code No.	Tube O.D.
429349	3/8
429361	1/4
429362	1/2
429397	5/16



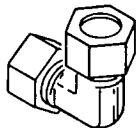
FEMALE CONNECTOR

Code No.	Tube O.D.	Pipe Thread
429312	3/16	1/8
429407	1/4	1/8
429830	1/4	1/4



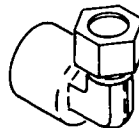
MALE CONNECTOR

Code No.	Tube O.D.	Pipe Thread
429324	3/4	3/4
429328	3/8	1/2
429351	5/16	1/8
429358	1/2	3/4
429359	1/2	3/8
429363	1/4	1/8
429364	1/4	1/4
429365	3/16	1/8
429366	3/8	1/8
429367	3/8	1/4
429368	3/8	3/8



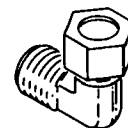
UNION ELBOW

Code No.	Tube O.D.
429372	3/8
429378	1/2
429381	1/4



FEMALE ELBOW

Code No.	Tube O.D.	Pipe Thread
429066	1/4	1/8
429825	1/4	1/4



MALE ELBOW

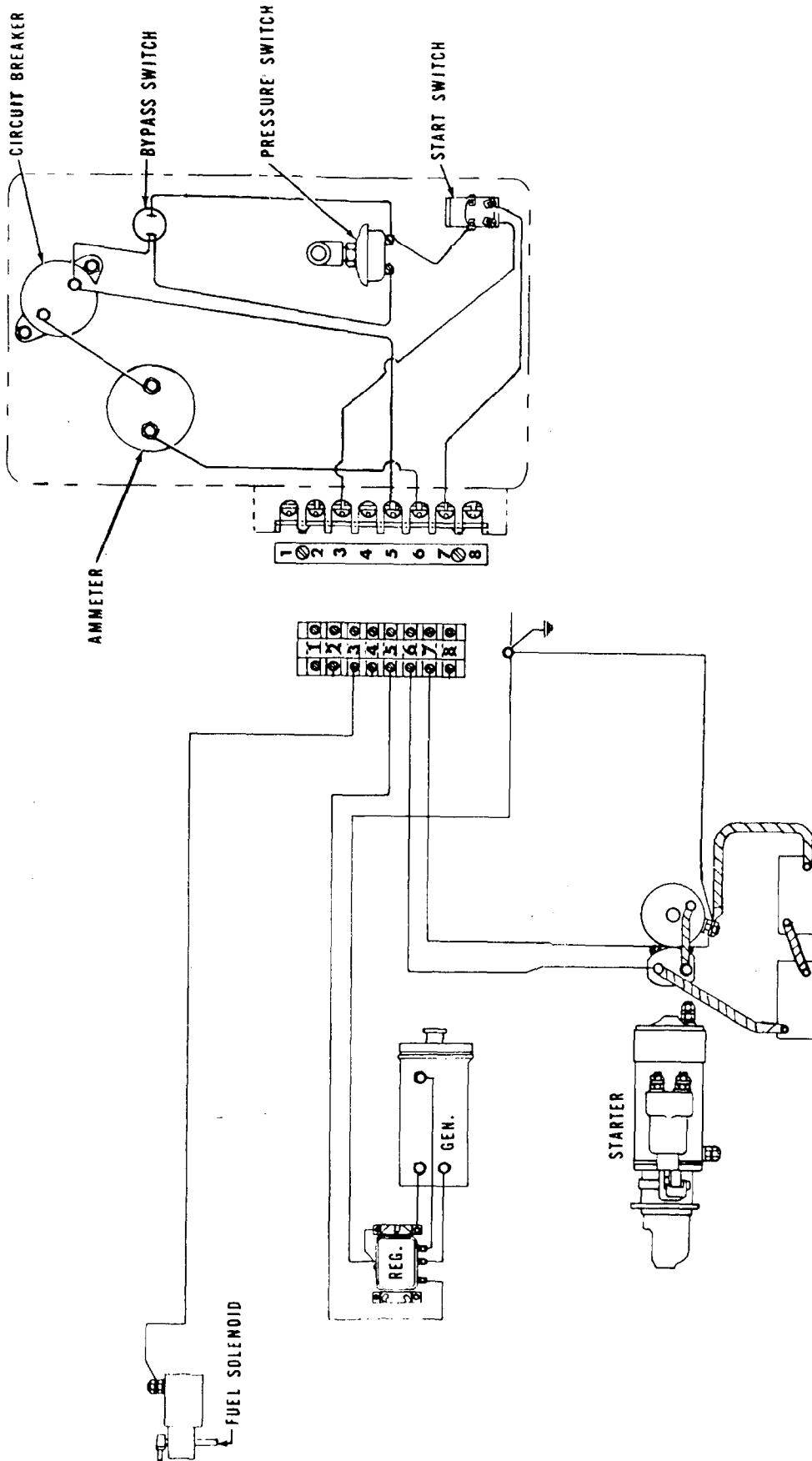
Code No.	Tube O.D.	Pipe Thread
429371	1/2	1/2
429373	3/8	1/8
429374	1/4	1/4
429375	3/8	1/4
429376	1/2	3/8
429380	1/4	1/8
429384	3/8	1/2
429385	5/16	1/8
429386	3/16	1/8
429401	1/2	3/4
429422	3/8	3/8
429453	3/4	3/4

MANITOWOC ENGINEERING CO.

A Division of The Manitowoc Company, Inc.

Manitowoc, Wisconsin

MASTER



0-241B

MATERIAL LIST ON BACK

ENGINE WIRING DIAGRAM - CUMMINS

CLICK HERE TO **DOWNLOAD** THE COMPLETE MANUAL

- Thank you very much for reading the preview of the manual.
- You can download the complete manual from: www.heydownloads.com by clicking the link below



- Please note: If there is no response to CLICKING the link, please download this PDF first and then click on it.

CLICK HERE TO **DOWNLOAD** THE COMPLETE MANUAL