

Manitowoc Cranes MACHINE COMPONENT INDEX

Date: Jan 08, 2018

Rev: 002

<u>Model Number</u> 999		<u>Serial Number</u> 9991373	
Item	Part	Description	Page
1	80073535	ROTATING STRUCTURE ROT BED COMPONENTS INSTALL	1
	1772721	DRUM MIRROR	3
	1954152	GEARBOX LESS WEATHERVANE	5
	4655180	GEARBOX PLANETARY	7
	1954371	PIN PULLER ASSY, CWT	13
	3856480	CYLINDER ASSEMBLY	15
	195602G	ELECTRICAL CONTROL WIRING	19
	1766553	SENDING UNIT ASSY	21
	1956035	SWITCH ASSEMBLY, CRANE REMOTE	23
	1958741	TURNTABLE GREASING ASSEMBLY	27
	1960081	ALARM	29
	1963811	MAST ASSEMBLY--MODEL 999	33
	1957089	SHEAVE ASSEMBLY 20IN	35
	1963812	MAST PARTS ASSEMBLED	37
	3856060	CYLINDER HYD	39
	810081451	BOOM STOP ASSY	41
	1768139	SWITCH ASSY BOOM STOP	43
	1768064	BRACKET W/2-289797 BU	45
	810126341	GANTRY ASSY	47
	1766244	LINK PENDANT PENDANT	49
	1958424	LINK CWT HANDLING LH	51
	1958444	LINK CWT HANDLING RH	53
	6462450	SOCKET/WEDGE, 7/8" (22 MM)	55
	810126342	GANTRY ASSY	57
	3856490	CYLINDER 8" BORE SS FORGED ROD	59
	A114299	VALVE ASSY D05 3BNK W	61
	1954231	MANIFOLD ASSEMBLY	63
1	A009911	JOBBOX FOR PARTS STORAGE, MODE	65
1	1961201	DECAL ASSY	69
	1815030	BUILDERS DECAL	73
2	1955286	OPERATORS CAB INSTALLATION	75
	1788551	HORN ASSY	77

CLICK HERE TO **DOWNLOAD** THE COMPLETE MANUAL

- Thank you very much for reading the preview of the manual.
- You can download the complete manual from: www.heydownloads.com by clicking the link below



- Please note: If there is no response to CLICKING the link, please download this PDF first and then click on it.

CLICK HERE TO **DOWNLOAD** THE COMPLETE MANUAL

Manitowoc Cranes MACHINE COMPONENT INDEX

Date: Jan 08, 2018

Rev: 002

<u>Model Number</u> 999		<u>Serial Number</u> 9991373	
Item	Part	Description	Page
40	81032601	40FT #82 BOOM INSERT	831
	1954561	40FT #82 BOOM INSERT,	835
	O-569	#82 BOOM LACINGS SERVICE GROUP	839
	1954643	STRAPS	841
	810169021	PLATFORM CATWALK ASSY	843
	810169021	PLATFORM CATWALK ASSY	845
41	81032602	40FT #82 BOOM INSERT	847
	1954571	40FT #82 BOOM INSERT	851
	O-569	#82 BOOM LACINGS SERVICE GROUP	855
	1954653	STRAPS	857
	810169022	PLATFORM CATWALK ASSY	859
44	81032605	UPPER BOOM POINT ASSEMBLY	861
	1704191	UPPER BOOM POINT ASSEMBLY	863
	1704193	SHEAVE FOR 1" WIRE ROPE	865
	1712501	SHEAVE ASSY	867
	1957494	BLOCK UP LIMIT SWITCH ASSEMBLY	869
	1770804	LEVER	871
49	2182140	BALL ASSEMBLY - 15 TON OVERHAUL (COMPLETE ASSEMBLY)	873
	6462460	SOCKET/WEDGE, 1" (26 MM)	875
51	2365030	BLOCK, HOOK	877
62	1655485	SOCKET-WEDEGE FOR UPPER POINT	879
	6462460	SOCKET/WEDGE, 1" (26 MM)	881
64	1770427	SOCKET WEDGE FOR 1" WIRE ROPE	883
65	1954591	BOOM RIGGING	885
67	1958911	WIND SPEED INDICATOR ASSEMBLY	889
69	1958915	BRACKET FOR WIND SPEED IND	891
74	1958913	ENGLISH WIND SPEED INDICATOR	895
	4894170	INDICATOR INCLUDES 60 FT CABLE	897
	A044140	SENSOR, WIND SPEED	899

Manitowoc Cranes

Description

GEARBOX PLANETARY

Assembly No.

4655180

Revision: **FA**

Item	FN	Part	Qty	Description
65		9490220135	1	CONNECTION 1600-1000/500-250
65		9490220136	1	HOUSING, FLANGE
66		9754220054	1	O-RING
67		9754220053	1	O-RING
68		9490220172	4	PLUG (3/8" GAS DIN 908)
69		9490220458	1	GEAR, SUN
70		9490220148	1	GEAR, RING (M4 Z69)
70		9490220585	1	PLANETARY CARRIER (COMPLETE)
71		9490220150	1	PLATE (M)
72		9490220457	1	CARRIER, PLANET
73		9490220459	3	GEAR, PLANET
74		9490220153	3	PIN (FOR NEEDLE D.6)
75		9490220040	6	WASHER, ANTI ROTATION
76		9490220039	3	RING, EXTERNAL SNAP
77		9490220069	225	BEARING, NEEDLE (6x20)
78		9490220205	1	RING,EXTERNAL SNAP 58 UNI 7435
79		9490220461	1	HOUSING, CONNECTION
80		9754220053	1	O-RING
81		9754220055	1	O-RING
82		9490220466	1	GEAR, SUN
83		9490220159	1	GEAR, RING
84		9490220161	1	PLATE, M
85		9490220463	1	CARRIER, PLANET
86		9490220589	1	CARRIER, PLANET
87		9490220465	3	GEAR, PLANET
88		9490220165	3	PIN
89		9490220166	6	WASHER
90		9490220167	3	WASHER
91		9490220168	3	PIN
92		9490220169	465	NEEDLE (7x20A)
93		9490220170	3	BOLT (M24x2x90 UNI5738 10.9)
94		9490220029	1	RING, EXTERNAL, SNAP
95		9490220263	1	OUTPUT, MOTOR
95		NSS	1	NOT SERVICED SEPARATELY

Manitowoc Cranes

Description

ELECTRICAL CONTROL WIRING

Assembly No.

195602G

Revision: **FD**

Item	FN	Part	Qty	Description
1	+	1766553	1	SENDING UNIT ASSY
2		1768192	1	BRACKET
3	+	1956035	1	SWITCH ASSEMBLY, CRANE REMOTE
5		810187670	1	BOX JUNCTION ASSY
6		810187380	1	BOX JUNCTION ASSY
7		810130602	1	PLATE
10		810208390	1	CABLE ELEC, W18 BOOM/MAST WIR
11		810208360	1	CABLE ELEC
12		810208350	1	CABLE ELEC
13		810187510	1	CABLE ELEC
14		810194890	1	CABLE ELEC
18		3455130	2	CLAMP, TUBE
19		3774030	1	COUPLING PIPE
20		4567670	2	GASKET ASSEMBLY, CONDUIT
22		5460530	4	NUT, HEX
23		6670070	25	STRAP
24		5485550	1	NUT, LOCK CONDUIT
25		5896350	1	RECEPTACLE, FEMALE MINI-CHANGE
26		5898400	1	RECEPTACLE
27		5460520	8	NUT, HEX
28		6123550	8	HHCS
29		6124050	4	HHCS
30		6123520	2	SCREW, HEX CAP
31		6177920	4	SCREW, ROUND MACH SLOTTED
33		810161350	1	SWITCH, LIMIT
35		7094200	10	WASHER, FLAT
36		7103010	4	WASHER, LOCK
37		7103020	10	WASHER, LOCK
38		7103030	4	WASHER, LOCK

+ SEE FURTHER BREAKDOWN THIS GROUP

Manitowoc Cranes

Description

ALARM

Assembly No.

1960081

Revision: **FA**

Item	FN	Part	Qty	Description
1		810018650	1	ALARM
2		5460520	4	NUT, HEX
3		5483410	4	HEX LOCK NUT, 1/4 -20UNC GR C
5		6123530	4	SCREW, HEX HEAD
6		6123550	4	HHCS
7		6805720	2	TERMINAL
8		7103020	4	WASHER, LOCK
9		7094200	4	WASHER, FLAT
10		A190812	1	BRACKET
11		6222020	1	SEALANT SPRAY-MS475N
12		810210180	2	BOOT

Manitowoc Cranes

Description
CYLINDER HYD

Assembly No.
3856060
Revision: **FA**

Item	FN	Part	Qty	Description
1		9372220673	1	ROD
2		9372220674	1	TUBE, MASTER
3		9372220675	1	HEAD
4	*	9372220398	1	WIPER, ROD
5	*	9372220676	1	U-CUP
6	*	9372220457	3	RING, WEAR (HEAD)
7	*	9372220215	1	RING, BACK-UP
8	*	9372220677	1	O-RING
9		9372220678	1	PISTON
10	*	9372220679	1	O-RING
11	*	9372220680	2	GUIDE, PISTON
12	*	9372220681	1	SEAL, CAPPED "T"
13		9372103393	1	SCREW, SET
14		9372220228	2	PLUG (SAE 8)
15		9372220265	2	PLUG (1/8"NPT)
16		9372220011	1	PLUG, SOC HD (SAE-6)
17		9372220503	1	PLUG (1/4 NPT)
18		9372220278	2	CARTRIDGE, VALVE
18		3854394	2	KIT, SEAL
20	*	3856065	1	KIT, CYLINDER SEAL INCLUDES THE FOLLOWING PARTS
	*	9372220398	1	WIPER, ROD
	*	9372220676	1	U-CUP
	*	9372220457	3	RING, WEAR (HEAD)
	*	9372220215	1	RING, BACK-UP
	*	9372220677	1	O-RING
	*	9372220679	1	O-RING
	*	9372220680	2	GUIDE, PISTON
	*	9372220681	1	SEAL, CAPPED "T"

* REPAIR KIT AND/OR PART OF KIT

Manitowoc Cranes

Description

LINK PENDANT PENDANT

Assembly No.

1766244

Revision: **B**

Item	FN	Part	Qty	Description
1		1765889	1	LINK
2		2900370	1	BUSHING

Manitowoc Cranes

Description

CYLINDER 8" BORE SS FORGED ROD

Assembly No.

3856490

Revision: **B**

Item	FN	Part	Qty	Description
1		9372220254	1	ROD
2	*	9372220257	1	WIPER, ROD
3	*	9372220258	1	U-CUP
4	*	9372220259	3	RING, WEAR (HEAD)
5	*	9754220063	1	O-RING
6	*	9754220064	1	RING, BACK-UP
7	*	9822220006	2	GUIDE
8	*	9372220261	1	RING, PISTON (TFE-R)
9	*	9372220262	1	O-RING
10		3856496	2	CARTRIDGE, CNTRBALANCE VALVE
11		3854394	1	KIT, SEAL
12		9372220265	2	PLUG (1/8"NPT)
13	*	9372220266	1	RING, MODULAR BACK-UP
14	*	3855765	1	SEAL KIT INCLUDES ITEMS 2, 3, 4, 5, 6, 7, 8, 9 AND 13

* REPAIR KIT AND/OR PART OF KIT

Manitowoc Cranes

Description
DECAL ASSY

Assembly No.
1961201
Revision: **FD**

Item	FN	Part	Qty	Description
2		0954942	2	DECAL
3		0954969	3	SIGN DANGER ELECTROCUTION HAZA
4		0972812	1	DECAL
5		1478343	1	DECAL-BLACK, CAB DOOR BOTTOM
6		1478482	1	DECAL (EN) PATENT
7		1728592	1	DECAL-CAUTION-REMOTE CAUTION-R
8		1768352	1	DECAL FLAG
9		810182050	1	DECAL
10		1768522	1	DECAL-DIESEL FUEL
11		1768532	1	DECAL-HYDRAULIC OIL
12		1959832	1	DECAL
13		1768822	1	DECAL-OPERATORS MANUAL WARNING
14		1769052	1	DECAL WARNING FALLING MAST HAZ
15		1769272	1	DECAL (EN) BUILT TO ASME B30.5
16		1772752	3	DECAL
17		1961632	3	DECAL WARNING
18		1961642	2	DECAL WARNING
20		1846792	1	DECAL (EN) SIGNAL
21		1961190	1	DECAL
22		1961212	1	DECAL
23		1961240	1	DECAL
24		3865653	2	DECAL 999, BLACK LETTERS
25		81007557	1	DECAL - WARNING CALIFORNIA PROP 65
27		810233050	1	DECAL EMERGENCY EXIT (NO ARROW
28		810118470	2	DECAL, MANITOWOC LOGO (40") B
29		810118460	2	DECAL, MANITOWOC LOGO (40") W
30		810118450	2	DECAL, MANITOWOC LOGO (30") B
31		810118440	2	DECAL, MANITOWOC LOGO (30") W
32		5392000	1	DECAL, FACT (WHITE LETTERS)
33		A073390	4	DECAL WARNING
36		1970042	4	DECAL
37		1970252	1	DECAL CAUTION-WELDING
38		1775762	1	DECAL WARNING NOT A STEP
39		1790302	2	DECAL DR SHAFT HAZARD

Manitowoc Cranes

Description
FLOOR MAT

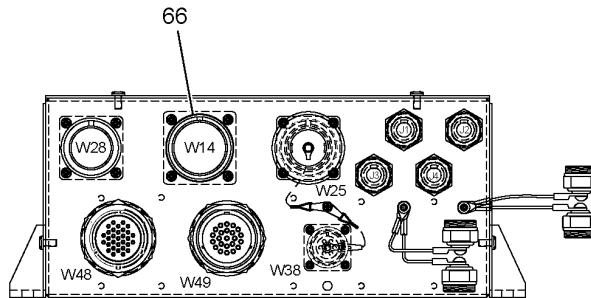
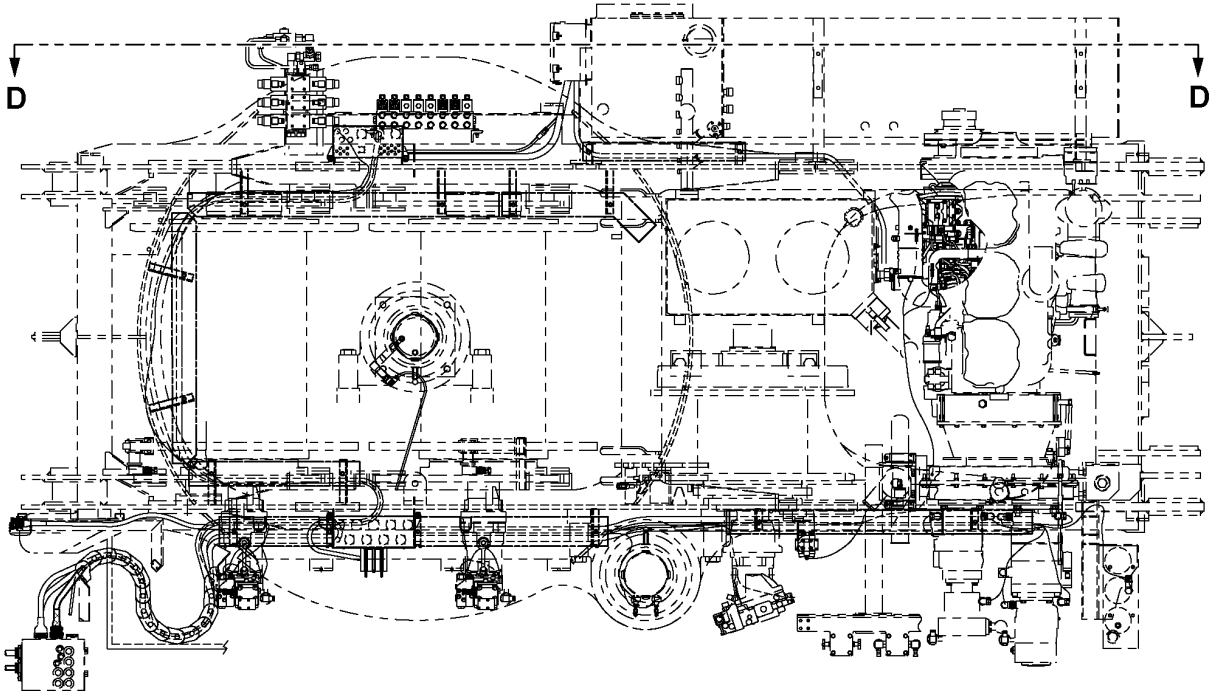
Assembly No.
1788712
Revision: **FA**

Item	FN	Part	Qty	Description
1		1788702	1	MAT
2		1788682	1	BINDING MAT

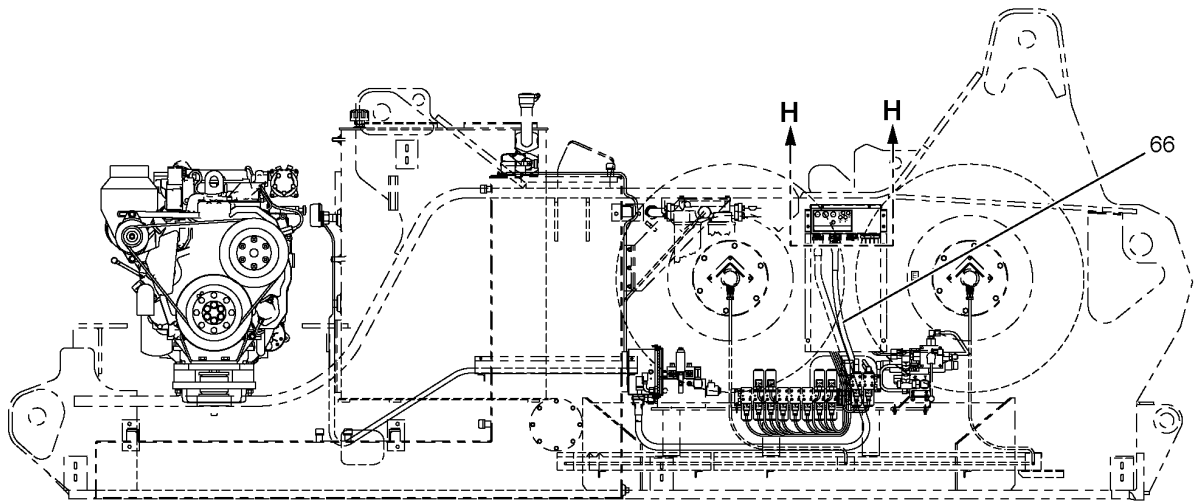
Manitowoc Cranes

<u>Description</u>				<u>Assembly No.</u>
CAB				1955482
				Revision: A
Item	FN	Part	Qty	Description
73		2981210	2	LATCH, WINDOW
74		2981220	2	PIN, QUICK RELEASE
75		2981230	1	ARM, WIPER DRIVE (DOUBLE LINK)
76		2981240	1	ARM, WIPER
77		2981250	1	WELDMENT, WIPER LINK
78		2981260	2	WIPER BLADE, 20" FLEX, WIDE
79		2981270	2	WIPER SHAFT ASSEMBLY
80		6131010	2	SCREW, HEX HEAD
81		5483400	3	NUT, HEX NYLOCK
83		2981290	2	SPACER, WIPER SHAFT
84		2981300	1	WELDMENT, DOOR
85		2981310	1	HANDLE, D-RING, FLUSH LOCKING
86		2981320	1	LATCH, CENTER CASE RIGHT
87		2457610	1	LATCH, DOOR STOP, SLIDING FOOT
88		2981330	1	GLASS, DOOR (52% BRONZE)
89		2982170	2	HANGER, ROLLER
90		2982180	2	ROLLER ASSEMBLY
91		6123520	4	SCREW, HEX CAP
92		2981360	1	GASKET, HANDLE, D-RING, ROUND
93		2981370	1	WELDMENT, LATCH
94		6123590	2	SCREW, HEX
95		2981380	1	LATCH CONN. BAR
96		5008420	1	KNOB, ROUND BLACK PLASTIC
97		6177880	1	SCREW, ROUND MACH SLOTTED
99		2981390	1	HANDLE, INSIDE
100		2981400	1	SPRING, EXT.
101		6175900	2	SCREW, FLAT
102		2981440	6	BRACKET
103		2982190	2	SPACER, DOUBLE ROLLER
104		5467640	2	NUT, HEX JAM
105		7103050	2	WASHER, LOCK
106		810075560	2	STRIP RUBBER FOAM
108		810179820	2	MOLDING FOAM, SEAL (50 FEET)
109		810179830	1	MOLDING, FLANGE

Manitowoc Cranes



H - H



D - D

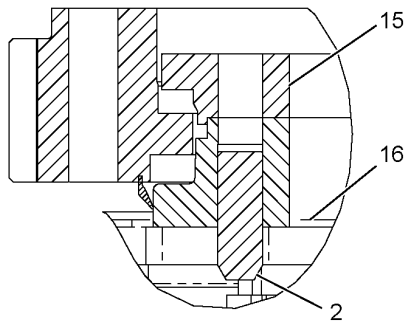
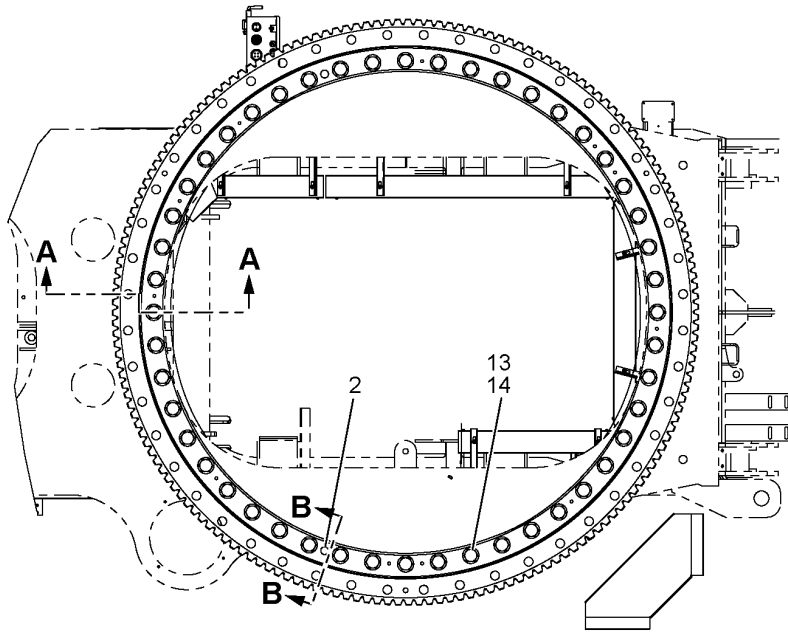
Manitowoc Cranes

Description
CORROSION PREVENTATIVE SPRAY,

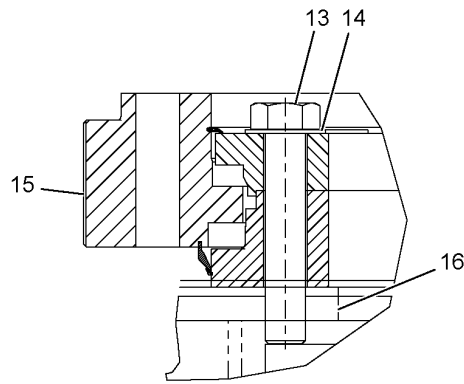
Assembly No.
0222062
Revision: **FA**

Item	FN	Part	Qty	Description
1		9999101803	1	SPRAY CORROSION PREVENTATIVE,

Manitowoc Cranes



B - B



A - A

Manitowoc Cranes

Description

BOOM HOIST ASSEMBLY

Assembly No.

1952921

Revision: **FB**

Item	FN	Part	Qty	Description
2		A167920	1	PLUG SIGHT GLASS
3		1715992	1	PLATE
6		1761762	1	RETAINER
8		1763272	1	BLOCK
9		1952919	1	DRUM
12		2256650	1	BEARING, SPHERICAL ROLLER
15		4218340	3	FASTENER
17		4282660	2	PLUG, O-RING
18		4652110	1	GEARBOX, PLANETARY
19		5483720	2	NUT, ELASTIC STOP
22		6146230	4	HHCS
23		6149490	24	SHCS
24		6149510	24	SHCS
25		6227020	1	OIL SEAL
26		6223830	1	OIL SEAL
28		7114300	4	L WASHER

Manitowoc Cranes

Description

PAWL W/289823 BUSHING

Assembly No.

1957664

Revision: **FA**

Item	FN	Part	Qty	Description
1		1957112	1	PAWL
2		2898230	2	BUSHING

Manitowoc Cranes

Description
CYLINDER, HYDRAULIC

Assembly No.
3855980
 Revision: **FA**

Item	FN	Part	Qty	Description
1	*	9372220172	1	WIPER, ROD
2	*	9372220173	1	O-RING
3	*	9372220175	2	U-CUP
4		9372220030	1	NUT, HEX
5	*	9372220176	1	POLY-PAK
6	*	9372220177	1	O-RING
7	*	9372220178	1	RING, BACK-UP
8		9372220179	2	PLUG
9	*	3855985	1	KIT, SEAL

* REPAIR KIT AND/OR PART OF KIT

Manitowoc Cranes

Description

CAB MOUNTING ASSEMBLY

Assembly No.

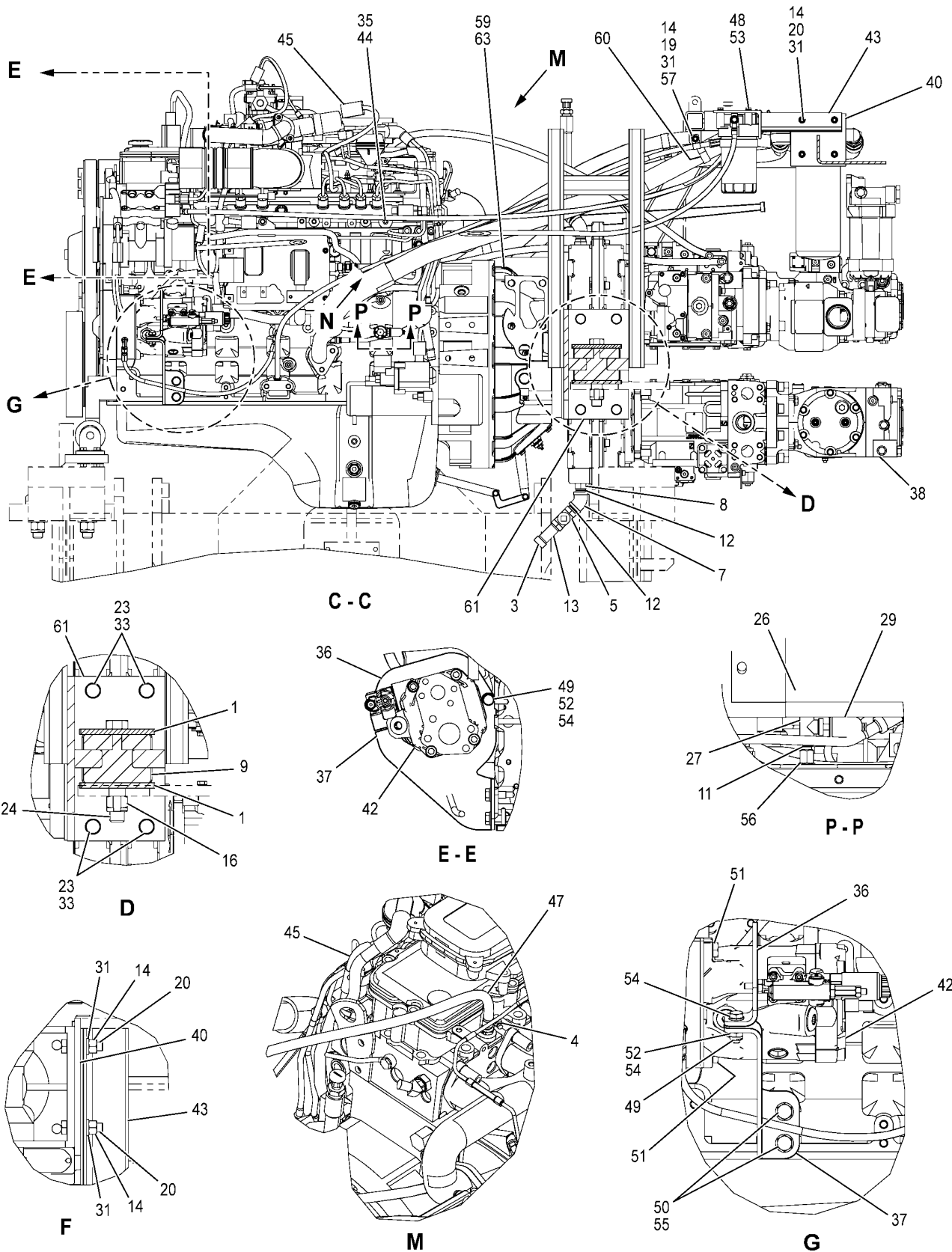
1957391

Revision: **FA**

Item	FN	Part	Qty	Description
1		1643402	1	PLATE
3		1937369	2	PIN 1 HOLE W/HD
5		1957294	1	SUPPORT
6		1957372	1	STRUT
7		1957389	1	PIN KEEPER
8	*	1957602	1	CATWALK, GALVANIZED
9	*	1957612	1	CATWALK, GALVANIZED
10	*	1957622	1	CATWALK, GALVANIZED
11	*	1957682	1	BRACKET, GALVANIZED
12		1735852	1	PLATE
13		4290100	1	FITTING
14		5638160	2	PIN COTTER
15		6126590	2	HHCS
16		7103070	2	WASHER, LOCK
901	*	1957399	1	KIT, UPPERWORKS PLATFORM

* REPAIR KIT AND/OR PART OF KIT

Manitowoc Cranes



810297271

(SHEET 2 OF 3)

Manitowoc Cranes

Description
CLUTCH ASSY

Assembly No.
A097352
Revision: **FA**

Item	FN	Part	Qty	Description
23		A095170	1	BEARING, BALL
24		6125060	12	HHCS
25		7103050	12	WASHER, LOCK

Manitowoc Cranes

Description
COOLER ASSY

Assembly No.
810297371
Revision: **C**

Item	FN	Part	Qty	Description
1		1769892	1	MODIFICATION, TO 460404 LIQ L
2		81039716	2	CLAMP WORM DRIVE
3		81040753	8	CLAMP WORM DRIVE
4		3490040	3	CLIP, TUBE COLLARD 3/4 ID
5		3490060	1	CLIP, TUBE COLLARD 5/8 ID #15
6		3490080	1	CLIP, TUBE COLLARD 1 ID #1518
7		3520010	1	T.D. DRAIN, BRASS DRAIN 1/4"
8		3550040	1	STEAM COCK, STEAM SQ HD 1/2 N
9		4295740	1	FITTING, BARBED INSERT IE KF0
10		4858450	1	HOSE PER FOOT, PLASTIC 1/2ID
11		5431710	1	NIPPLE PIPE, 0.25 DIA 0.88 L
12		5460530	5	NUT, HEX
13		6124030	5	HHCS
14		6125570	4	SCREW, HEX CAP
15		7094600	4	WASHER, FLAT SHIM
16		7097440	5	F WASHER, 5/16 ST F436
17		7103030	5	WASHER, LOCK
18		7103060	4	WASHER, LOCK
19		810029990	2	FITTING ADAPTER 90 DEG, .25 N
20		810030000	4	FITTING ADAPTER STRAIGHT, .25
21		810111310	1	HOSE, 2.25 ID X 6.5 LG
22		810111670	2	TUBE PREFORMED, 4.00 OD CAC
23		810111710	2	CLAMP TUBE, 4.00 OD VBAND MAR
24		810113860	2	O-RING, 4.100 IN ID X 0.210W
25		810115540	1	HOSE, 0.38 ID X 5592 X 29.13
26		810115550	1	HOSE, 0.31 ID X #5541 X 72.00
27		810115650	1	FITTING ADAPTER STRAIGHT, 3/4
28		810122490	1	FITTING ADAPTER TEE, 0.25 NPT
29		810131070	1	HOSE, 0.63 ID X 47.50 LG
30		810139430	1	HOSE 0.38 ID X 5592 X 12.00 LG
31		810139430	1	HOSE 0.38 ID X 5592 X 12.00 LG
32		810141050	1	PIPE ELBOW 45 DEG STREET, 0.5
33		810145330	1	PIPE NIPPLE 0.50 DIA, 2.50 LG
34		810148540	1	TUBE PREFORMED, 2.25 OD X .06

Manitowoc Cranes

Description

MOTOR HYDR PISTON FIXED

Assembly No.

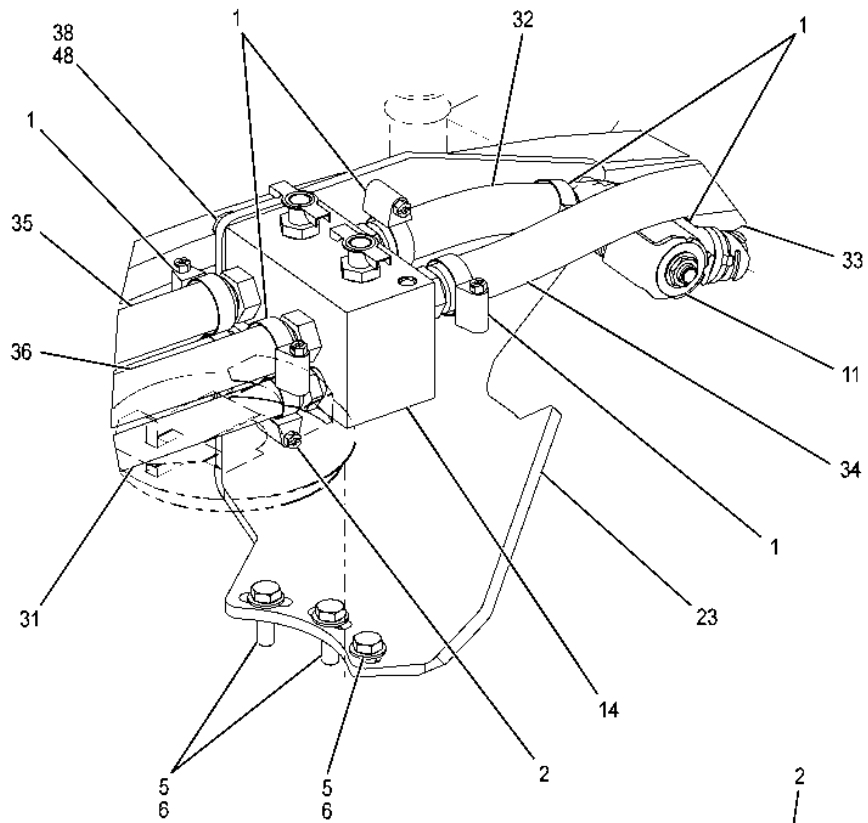
810118760

Revision: **B**

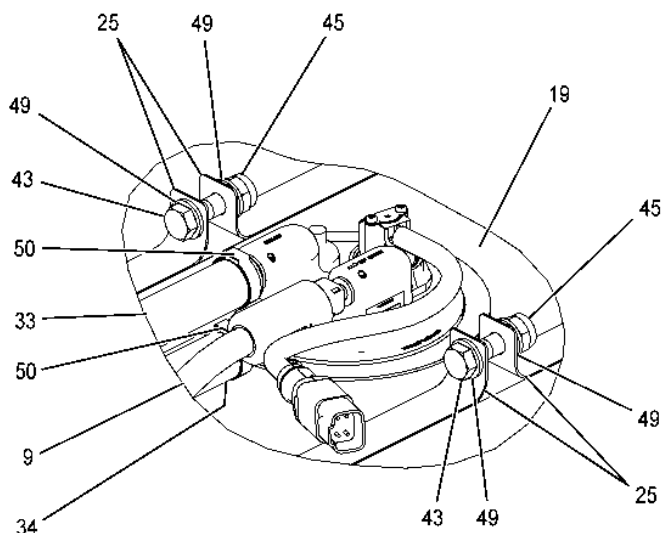
Item	FN	Part	Qty	Description
1		90022125	1	SEAL, SCREW
2		90022126	2	COVER, FLANGE
3	+	90022127	1	MOTOR COMPONENTS

+ SEE FURTHER BREAKDOWN THIS GROUP

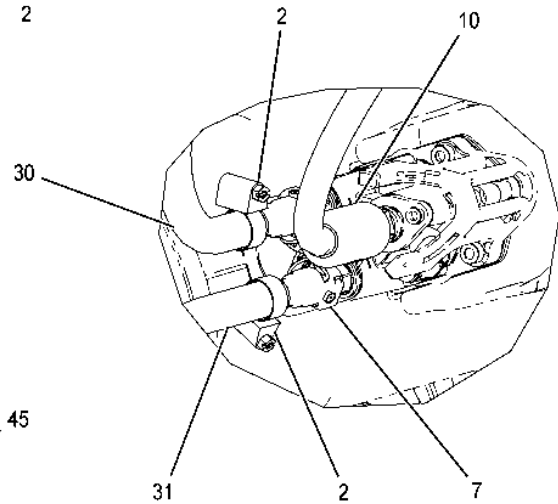
Manitowoc Cranes



A



B



C

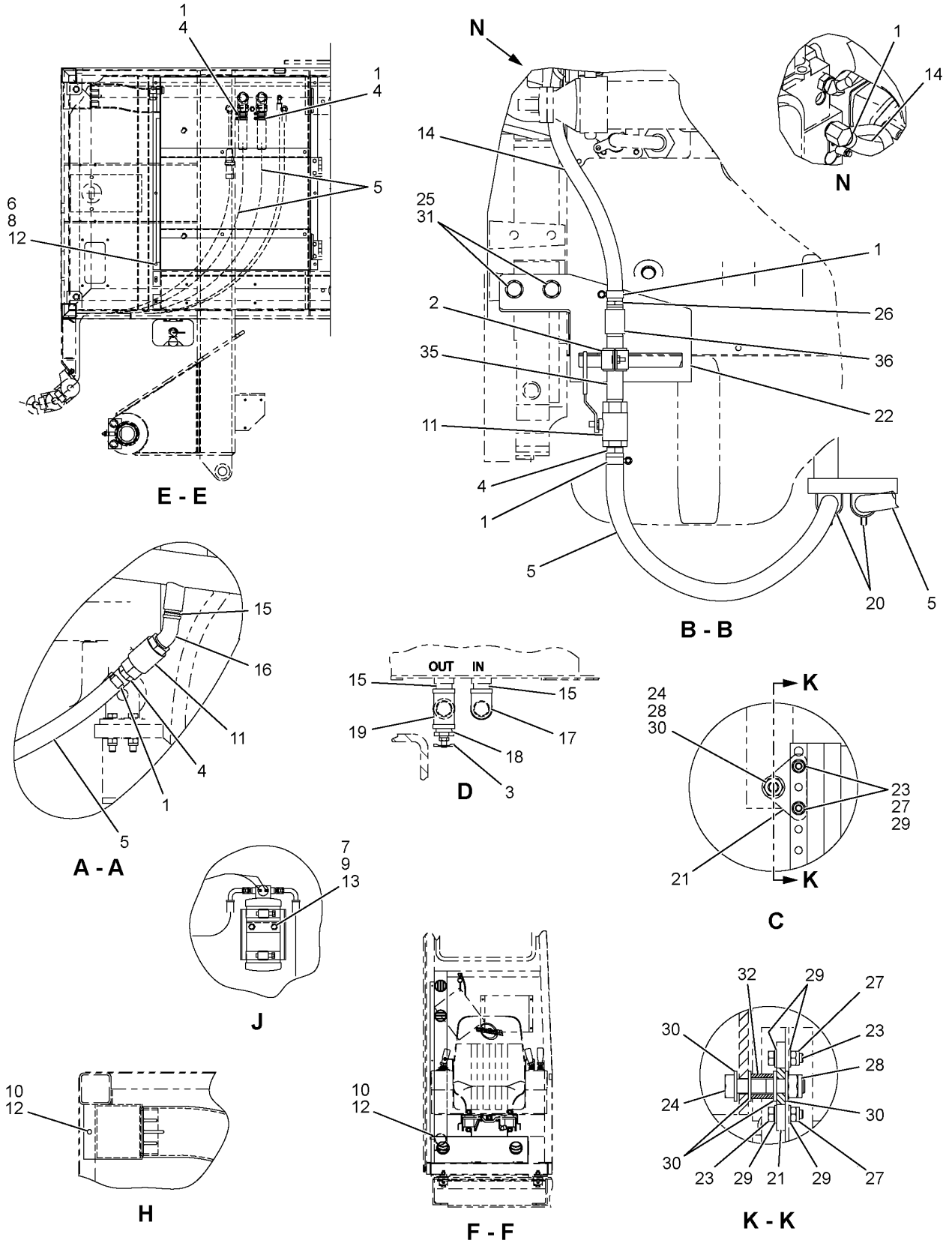
Manitowoc Cranes

Description
FUEL CIRCUIT

Assembly No.
810297401
Revision: **D**

Item	FN	Part	Qty	Description
1		3455120	2	CLAMP TUBE
2		3455160	3	CLAMP TUBE
3		3456850	2	CLAMP TUBE
4		4069270	1	ELBOW PIPE 90 DEG STREET
5		4282510	1	FITTING, 90° ADAPTER
6		4283030	1	FITTING ADAPTER 90 DEG
7		4283390	1	FITTING ADAPTER STRAIGHT
8		4283620	2	FITTING ADAPTER STRAIGHT
9		7019170	4	VALVE
10		810127070	2	FITTING ADAPTER STRAIGHT
11		810237372	1	BRACKET
12		7126211253	1	CAP SCREW, M12 X 25MM HEX HEAD
13		7126241653	2	CAP SCREW, M16 X 45MM HEX HEAD
14		7127191353	4	CAP SCREW, M10 X 30
15		7127211553	2	HHCS M12x40 -10.9 ISO 4017
16		7447080801	1	ADAPTER, STRAIGHT INCLUDES THE FOLLOWING PARTS
		7755014002	1	O-RING
		7755908002	1	O-RING
17		7447080828	2	ADAPTER, STRAIGHT INCLUDES THE FOLLOWING PARTS
		7755014002	1	O-RING
18		7447081228	1	ADAPTER, STRAIGHT INCLUDES THE FOLLOWING PARTS
		7755014002	1	O-RING
		7755912002	1	O-RING
19		7447121003	2	ELBOW, 90 DEGREE INCLUDES THE FOLLOWING PARTS
		7755018002	1	O-RING
		7755910002	1	O-RING
20		7447121008	1	ELBOW, 45 DEGREE INCLUDES THE FOLLOWING PARTS
		7755018002	1	O-RING
		7755910002	1	O-RING
21		7447121228	3	ADAPTER, STRAIGHT INCLUDES THE FOLLOWING PARTS
		7755018002	1	O-RING
		7755912002	1	O-RING
22		7555611591	1	HOSE ASSY CODED

Manitowoc Cranes



810329591

(SHEET 2 OF 2)

Manitowoc Cranes

Description

TANK FUEL ASSY 35 GAL

Assembly No.

A104292

Revision: **B**

Item	FN	Part	Qty	Description
1		1676572	1	COVER
2		1676582	1	GASKET
3		4282510	1	FITTING, 90° ADAPTER
4		7447161628	1	ADAPTER, STRAIGHT MALE INCLUDES THE FOLLOWING PARTS
		7755021002	1	O-RING
		7755916002	1	O-RING
5		A103622	1	TANK, FUEL
6		7103040	8	WASHER, LOCK
7		6124520	8	SCREW, HEX CAP

Manitowoc Cranes

Description
COUNTERWEIGHTS

Assembly No.
1956884
 Revision: **FA**

Item	FN	Part	Qty	Description
17		1765822	10	COUNTERWEIGHT SIDE REF ITEM 902
18		1767632	20	PIN 2 HOLE REF ITEM 901
901		5638030	40	PIN WIRE LOCK
902		6206410	20	SCREW, SELF-TAP RD HD TY F #6

Manitowoc Cranes

Description

PIPING HYD ASSY. AUX DRUM

Assembly No.

810193071

Revision: **E**

Item	FN	Part	Qty	Description
1		1687172	1	PLUG, ORIFICE
2		1769722	1	FITTING
3		1774882	1	FITTING
4		1934422	2	MANIFOLD
5		1954222	1	BLOCK
6		1960992	1	BRACKET WELDMENT
7		3455110	13	CLAMP TUBE, 0.75 DIA#100075-4
8		3455130	10	CLAMP, TUBE
9		3455150	5	CLAMP, TUBE
10		3455160	2	CLAMP TUBE
11		3456770	6	CLAMP TUBE
12		3754390	1	COUPLER
13		3754400	1	NIPPLE ASSEMBLY
14		3754410	1	DUST CAP
15		3754420	1	DUST CAP
16		3754460	1	Q DISCON FITTING
17		3754590	1	CAP DUST
18		3759409	1	COUPLER ASSEMBLY
19		3759419	1	NIPPLE ASSEMBLY
20		3759540	3	Q DISCON FITTING
21	+	4272789	1	FILTER HEAD REF ITEM 901
22		4280050	1	TEE
23		4280990	1	FITTING
24		4282400	1	FITTING
25		4282660	2	PLUG, O-RING
26		4283850	1	FITTING
27		4284210	1	FITTING REDUCER
29		4284500	2	FITTING ADAPTER STRAIGHT
30		4284700	1	FITTING
31		4295320	1	FITTING, PLUG
32		4297200	1	FITTING
33		4316370	2	FLANGE ASSY SPLIT CODE 62
34		4316490	4	FLANGE ASSY SPLIT CODE 62

+ SEE FURTHER BREAKDOWN THIS GROUP

Manitowoc Cranes

Description
FILTER HEAD

Assembly No.
4272789
Revision: **FA**

Item	FN	Part	Qty	Description
1		A078450	1	INDICATOR ASSY

Manitowoc Cranes

Description

LINKS AND SUPPORTS ON MAST

Assembly No.

1963815

Revision: **FA**

Item	FN	Part	Qty	Description
61		6127150	4	HHCS
62		7103080	4	WASHER, LOCK
63		1960902	2	BRACKET, RED

Manitowoc Cranes

Description

OPERATING WIRE ROPE-LOAD LINE

Assembly No.

1954598

Revision: **FA**

Item	FN	Part	Qty	Description
1		7194322	1625	WIRE ROPE-1625 FT 26MM DYFORM

Manitowoc Cranes

<u>Description</u> DRIVE PLANETARY				<u>Assembly No.</u> A155610 Revision: C
Item	FN	Part	Qty	Description
1		9490220013	1	GEAR, 1ST & 2ND STAGE RING
2		9490220546	1	CARRIER, PLANET (3RD STAGE)
3		9490220559	1	HOUSING, ROTATING
4		9490220547	1	FLANGE, CONNECTION
5		9490220549	1	COVER, OUTPUT
6		9490220550	1	PLATE
7		9490220551	4	SHAFT, PLANET GEAR (3RD STAGE)
8		9490220028	3	PIN, DOWEL
9		9490220768	1	COUPLING, INPUT
10		9490220552	4	PIN, DOWEL
11		9490220769	1	BOTTOM
12		9490220553	1	GEAR, SUN (3RD STAGE)
13		9490220555	1	COVER, PROTECTION
14		9490220770	1	COVER, INPUT PROTECTION
15		9490220556	1	KIT, SHIM
16		9490220771	1	HUB
17		9490220561	1	GEAR, SUN (1ST STAGE)
18		9490220115	9	DISK, STEEL
19		9188220012	1	PISTON, BRAKE
20		9188220013	1	RING
21		9188220010	16	SPRING
22		9188220007	4	SPRING
23		9188220117	10	BOLT, EYE
24		9490220563	1	WHEEL, RING (3RD STAGE)
25		9490220166	8	WASHER
26		9490220486	4	GEAR, 3RD STAGE PLANET
27		9490220009	1	PAD
28		9490220922	1	PLANETARY CARRIER ASM
28		9490220548	1	CARRIER, PLANET (2ND STAGE)
29		9490220051	1	PLATE, SUN GEAR STOP
30		9490220276	3	GEAR, PLANET
31		9490220153	3	PIN (FOR NEEDLE D.6)
32		9490220040	6	WASHER, ANTI ROTATION
33		9490220039	3	RING, EXTERNAL SNAP

Manitowoc Cranes

Description

OPERATORS CAB JUNCTION BOX

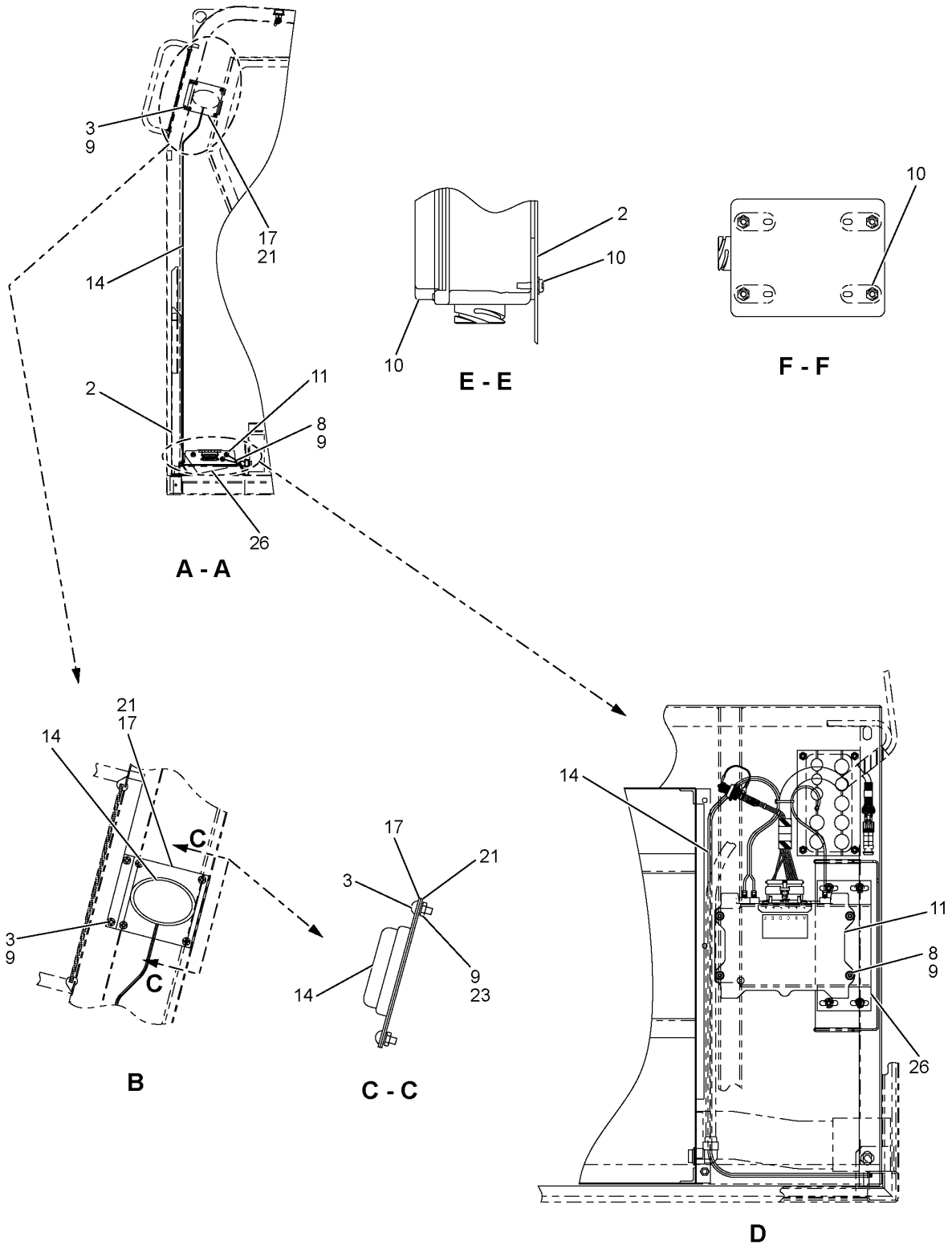
Assembly No.

810119726

Revision: **FF**

Item	FN	Part	Qty	Description
4		2974710	1	ELEC CABLE
5		3643630	1	CONNECTOR
25		5724850	1	PLUG
34		6124530	4	SCREW, HEX CAP
35		6229390	2	SEAL
36		6668560	50	STRAP, CABLE TIE, NYLON
37		6670050	20	STRAP
38		6808240	2	TERMINAL
40		7103040	4	WASHER, LOCK
42		810159620	1	HARNESS ASSY
43		9999102423	1	BATTERY TERMINAL SPRAY
45		A164680	1	TERMINAL

Manitowoc Cranes



Manitowoc Cranes

Description

SWITCH

Assembly No.

6726660

Revision: **FA**

Item	FN	Part	Qty	Description
1		9352220013	1	R G HANDLE ASM W/THUMPER INCLUDES ITEMS 10, 11 AND 12
2		2652040	1	BOOT
3		9834220001	1	SPRING
4		9352220018	1	GASKET
5		9352100371	1	SWITCH, MICRO
6		9352220020	1	CONNECTOR
7		9872220039	2	SCREW
8		9872220040	2	WASHER, NYLON
9		9872220002	1	PRINTED CIRCUIT BOARD ASM
10		9352100792	1	HANDLE, SHELL (BOTH HALVES)
11		90025857	1	KIT, SOLENOID ASSY.
12		2660210	1	BOOT, THUMPER

Manitowoc Cranes

Description

SWITCH

Assembly No.

6726690

Revision: **FA**

Item	FN	Part	Qty	Description
1		2652040	1	BOOT
2		9872220040	2	WASHER, NYLON
3		9352220018	1	GASKET
4		9872220002	1	PRINTED CIRCUIT BOARD ASM INCLUDES ITEMS 8 AND 9
5		9352100371	1	SWITCH, MICRO
6		90023446	1	CAM ASSEMBLY
7		90023448	1	GEAR ASSEMBLY
8		5758970	1	POTENTIOMETER
9		9352220022	1	COUPLING, POTENTIOMETER

Manitowoc Cranes

Description
CONSOLE FRONT ASSY

Assembly No.
810170469
Revision: **FB**

Item	FN	Part	Qty	Description
1		1720662	1	WINDOW
2		810123600	1	CONSOLE FRONT
3		1788652	1	BRACKET
4		2016000	1	ALARM
5		2016010	1	ALARM
6		3785140	5	COVER, BLANK
7		4460100	4	END FRAME
8		4460110	8	CENTER FRAME
9		5052090	5	LENS-PARKING BRK
10		5052190	1	LENS-SYMBOL
11		5052360	1	LENS SYMBOL
12		810125860	1	LAMP
13		810125870	1	LAMP
14		5460500	2	NUT, HEX
15		5460520	2	NUT, HEX
16		5052380	1	LENS SYMBOL
17		6123510	2	SCREW, HEX CAP
18		6726890	1	SWITCH
19		6177410	3	SLOT RMS
20		6177840	2	SCREW, ROUND MACH SLOTTED
21		6184170	11	SCREW, TRUSS MACH PHILLIPS
22		6184190	4	SCREW, TRUSS MACH PHILLIPS
23		6726290	6	SWITCH, ROCKER
24		6726400	1	SWITCH
25		81037980	1	SWITCH PUSH BUTTON (ZB5AT84)
26		6727500	3	BASE, SWITCH MOUNTING
27		6727510	4	BLOCK SWITCH CONTACT N.O.
28		6727520	2	BLOCK, SWITCH CONTACT (1-N.C.)
29		6727530	1	SWITCH KEY 3 POS CENTER RETURN
30		6727540	1	SWITCH KEY 2 POS SPRING RETURN
31		6780080	1	TAPE
32		6727490	1	SWITCH KEY OPR 3 POSITION
33		810196950	4	F WASHER
37		7103010	2	WASHER, LOCK

Manitowoc Cranes

Description

ELECTRICAL CONTROL WIRING

Assembly No.

195602D

Revision: **FD**

Item	FN	Part	Qty	Description
84		810179670	1	CABLE ELEC

Manitowoc Cranes

Description

HYD. PIPING, AUX DRUM PREP.

Assembly No.

1961523

Revision: **F**

Item	FN	Part	Qty	Description
210		4316370	2	FLANGE ASSY SPLIT CODE 62
211		4827390	1	HOSE
212		4827420	1	HOSE
213		4827500	1	HOSE
214		7555802390	1	HOSE FLEX
901	*	4951460	1	KIT - HOSE, KIT WITH AUX

* REPAIR KIT AND/OR PART OF KIT

Manitowoc Cranes

Description

VALVE ASSEMBLY

Assembly No.

1958179

Revision: **B**

Item	FN	Part	Qty	Description
1		4295320	1	FITTING, PLUG
2		4295570	3	FITTING, PLUG
3		4297210	2	FITTING, PLUG
4		7029950	4	CONTROL VALVE ASSY.GROUP 4-WAY
5		7034810	1	8VALVE MANIFOLD PARALLEL,BLACK
6		7041150	4	VALVE, DIRECTIONAL CONTROL
7		7447080802	3	CONNECTOR, LONG INCLUDES THE FOLLOWING PARTS
		7755014002	1	O-RING
		7755908002	1	O-RING
8		7447080803	3	ELBOW, 90 DEGREE MALE INCLUDES THE FOLLOWING PARTS
		7755014002	1	O-RING
		7755908002	1	O-RING
9		7447080808	4	ELBOW, 45 INCLUDES THE FOLLOWING PARTS
		7755014002	1	O-RING
		7755908002	1	O-RING
10		7447080833	3	ELBOW, 90 DEGREE MALE INCLUDES THE FOLLOWING PARTS
		7755014002	1	O-RING
		7755908002	1	O-RING
11		7447080838	3	ELBOW, 90 DEGREE LONG INCLUDES THE FOLLOWING PARTS
		7755014002	1	O-RING
12		7447081001	2	ADAPTER, STRAIGHT MALE INCLUDES THE FOLLOWING PARTS
		7755014002	1	O-RING
		7755910002	1	O-RING

Manitowoc Cranes

Description

PIPING HYDR ASSY

Assembly No.

810140302

Revision: **E**

Item	FN	Part	Qty	Description
1		4282300	1	FITTING ADAPTER TEE
2		4282330	1	FITTING ADAPTER STRAIGHT
3		4282400	1	FITTING
4		4282420	1	FITTING ELBOW
5		4282610	1	FITTING, 90° ADAPTER
6		4283380	2	FITTING, 90° ADAPTER
7		4283560	1	FITTING ADAPTER
8		4285060	1	FITTING
9		4295500	1	FLANGE ASSY SPLIT CODE 61
10		4316270	2	FLANGE ASSY SPLIT CODE 62
11		4316440	1	FLANGE ASSY SPLIT CODE 61
12		810042880	1	TUBE PREFORMED
13		810045230	1	TUBE PREFORMED
14		810045240	1	TUBE PREFORMED
15		810054200	1	FITTING ADAPTER SPECIAL
16		810167320	2	CLAMP SPRING LIGHT DUTY
17		810100350	1	TUBE PREFORMED
18		810100570	1	TUBE PREFORMED
19		810120780	1	VALVE CHECK
20		7555303031	1	HOSE ASSY ST X 90 X 30 LONG
21		7555302232	1	HOSE ASSY CODED
22		7555502500	1	HOSE ASSY CODED
23		7566301800	1	HOSE ASSY CODED
24		810167820	1	SENSOR
25		4296630	1	FITTING CAP
26		4284070	1	FITTING
27		810122930	1	FITTING, PLUG

Manitowoc Cranes

Description

PIPING HYDR ASSY

Assembly No.

810140317

Revision: **B**

Item	FN	Part	Qty	Description
100		3456770	6	CLAMP TUBE
101		4283190	1	FITTING ADAPTER
102		4316370	2	FLANGE ASSY SPLIT CODE 62
103		4316490	2	FLANGE ASSY SPLIT CODE 62
104		4827870	1	HOSE
105		4827880	1	HOSE

Manitowoc Cranes

Notes

Manitowoc Cranes

Description

SERVICE KIT, 500 HOUR QSL9 T4

Assembly No.

90020923

Revision: **B**

Item	FN	Part	Qty	Description
1		4136240	1	ENGINE WATER FILTER
3		90026681	1	FILTER, FUEL/WATER SEPARATOR
4		90024700	1	FILTER, FUEL 7-1/8" LG
13		A104130	1	ELEMENT, FILTER

Manitowoc Cranes

Description

AIR COND & HEAT ASSY STD OPT

Assembly No.

810329592

Revision: **FC**

Item	FN	Part	Qty	Description
100	+	2014080	1	AIR CONDITIONER KIT
101		810147930	1	KIT, AIR COND. HOSES
102	+	810167690	1	AIR COND & HEATER UNIT OUTSIDE
103		810172930	1	CABLE ELEC

+ SEE FURTHER BREAKDOWN THIS GROUP

Manitowoc Cranes

Description

ELECTRIC POWER PLANT ASSY

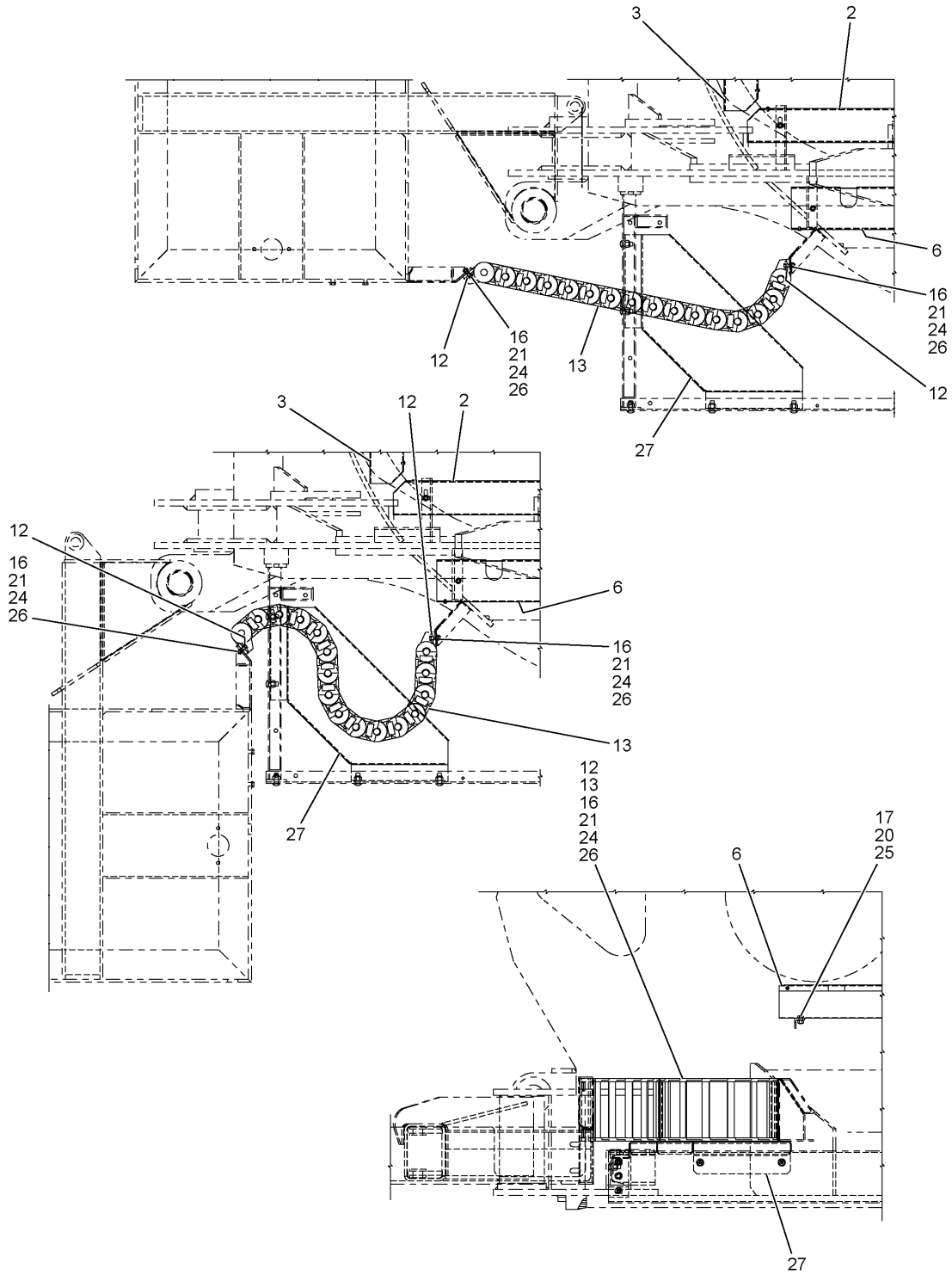
Assembly No.

810093952

Revision: **FA**

Item	FN	Part	Qty	Description
46		810179930	1	CABLE ELEC

Manitowoc Cranes



Manitowoc Cranes

Description
DRIVE PUMP ASSY

Assembly No.
810133221
 Revision: **C**

Item	FN	Part	Qty	Description
1	+	5827270	1	PUMP HYD
2	+	5827600	1	PUMP HYD VARIABLE DISPLACEMENT
3	+	5827610	2	PUMP HYD VARIABLE DISPLACEMENT
4	+	5827620	2	PUMP HYD VARIABLE DISPLACEMENT
6		6125550	20	SCREW, HEX CAP
7		7097810	20	F WASHER
8		810055040	4	O-RING
9		A081360	2	O-RING

+ SEE FURTHER BREAKDOWN THIS GROUP

Manitowoc Cranes

Description

PUMP HYD VARIABLE DISPLACEMENT

Assembly No.

5827600

Revision: **C**

Item	FN	Part	Qty	Description
1		7031230	1	KIT, CHARGE RELIEF VALVE
2		7031235	1	O-RING
3		9632220005	7	PLUG
4		9632220035	10	O-RING
5	*	5834415	1	SHAFT SEAL ASSEMBLY INCLUDES ITEMS 29 AND 30
6		9722220122	3	SCREW
7	+	7041720	2	KIT, VALVE
8	*	7041700	1	KIT, EDC INCLUDES ITEMS 31, 32 AND 33
9		9632220023	1	O-RING
10		9722220020	1	SHAFT, CHARGE PUMP
11		9722220102	1	KEY
12		90024557	1	COUPLING
13		9258220004	1	ASSEMBLY, COVER
14		810055040	1	O-RING
15		9722220110	4	SCREW
16		90015560	1	SEAL, C PAD
17		9722220320	9	WELDED PISTON ASM
18		9722220312	1	BEARING, ROLLER
19		9722220097	1	O-RING
20		9722220098	1	O-RING
21		9722220031	6	SCREW
22		9722220095	1	PLUG
23		9722220014	1	O-RING
24		A050510	1	GASKET, END CAP
25		9722220305	1	BEARING, JOURNAL
26		9632220045	1	O-RING
27		9722220096	3	SCREEN, CONTROL FILTER
28		5827605	1	KIT, OVERHAUL GASKET/SEAL
29	*	9754220027	1	O-RING
30	*	9794220040	1	SEAL, LIP
31	*	7041710	1	VALVE INCLUDES ITEMS 34 AND 35
32	*	7041705	1	GASKET

* REPAIR KIT AND/OR PART OF KIT

+ SEE FURTHER BREAKDOWN THIS GROUP

Manitowoc Cranes

Notes

CLICK HERE TO **DOWNLOAD** THE COMPLETE MANUAL

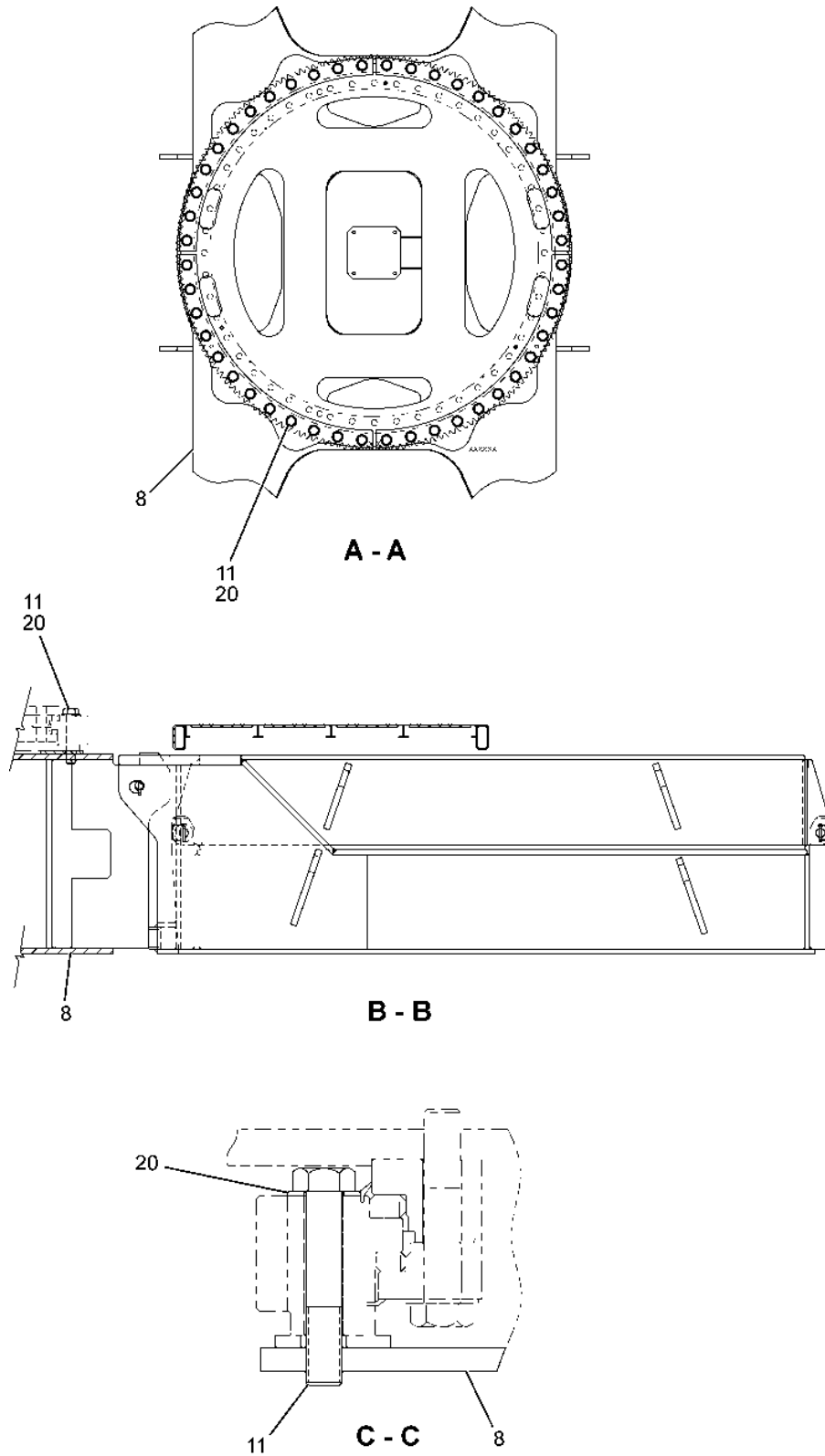
- Thank you very much for reading the preview of the manual.
- You can download the complete manual from: www.heydownloads.com by clicking the link below



- Please note: If there is no response to CLICKING the link, please download this PDF first and then click on it.

CLICK HERE TO **DOWNLOAD** THE COMPLETE MANUAL

Manitowoc Cranes



Manitowoc Cranes

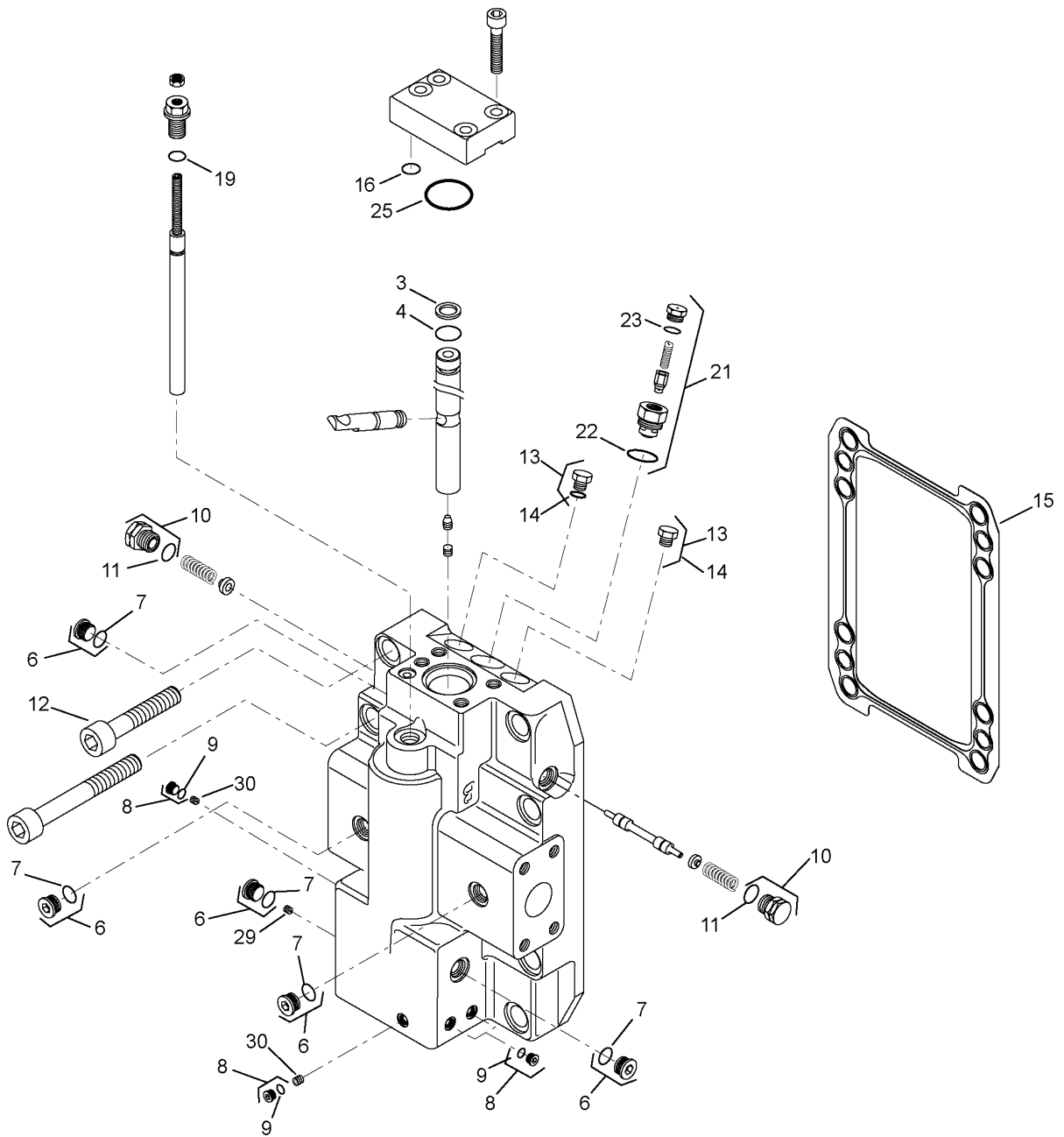
Description
CYLINDER HYD

Assembly No.
810017760
Revision: **FA**

Item	FN	Part	Qty	Description
1		9372220189	1	ROD
2	*	9372220191	1	WIPER, ROD
3	*	90023168	1	SEAL, ROD
4	*	9372220193	2	WEAR-RING, HEAD
5	*	90001205	1	RING, BACK-UP
6	*	90001206	1	O-RING
7		9372220194	1	HEAD
8	*	9372220195	1	WIPER, ROD
9	*	90023169	1	SEAL, ROD
10	*	9372220197	1	RING, BACK-UP
11	*	9372220198	1	O-RING
12	*	9372220199	2	WEAR-RING, HEAD
13	*	9372220200	2	WEAR-RING, PISTON
14	*	9372220201	1	RING, PISTON
15	*	9372220203	1	O-RING
16	*	9372220204	2	WEAR-RING, PISTON
17	*	90017155	1	RING, PISTON (TFE-R)
18		9372220014	1	ADAPTER, STRAIGHT
19		9372220013	1	ADAPTER, 90 DEG
20		9372220533	2	PLUG (SAE 8)
21		9372220009	2	PLUG (SAE-4)
22		9372221022	1	CARTRIDGE, C'BAL VALVE (3500)
23		7026575	1	SEAL KIT
24		9372221023	1	CARTRIDGE, C'BAL VALVE (1000)
25		7026575	1	SEAL KIT
26		9372220282	1	VALVE, INLINE CHECK
27		9372220008	1	O-RING
28	*	90001207	1	KIT, SEAL INCLUDES ITEMS 2, 3, 4, 5, 6, 8, 9, 10, 11, 12, 13, 14, 15, 16 AND 17

* REPAIR KIT AND/OR PART OF KIT

Manitowoc Cranes



Manitowoc Cranes

Description

SHAFT DRIVE ASSEMBLY

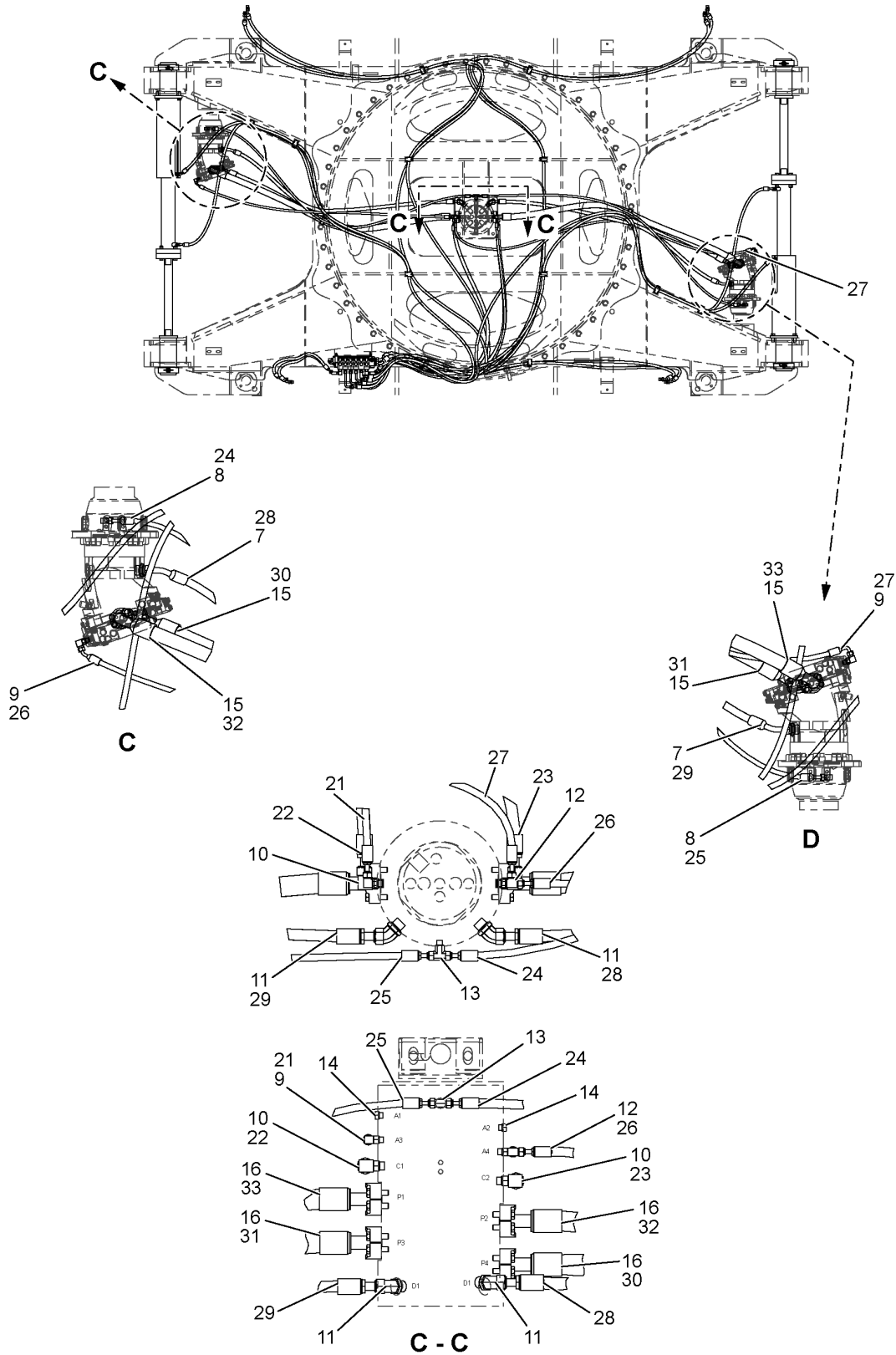
Assembly No.

6253390

Revision: **FA**

Item	FN	Part	Qty	Description
1		9810220008	1	PLATE, UNIVERSAL JOINT END
2		6253246	2	JOURNAL & BEARING KIT
3		9364101610	1	SEAL, SLIP JOINT

Manitowoc Cranes



Manitowoc Cranes

<u>Description</u> PUMP				<u>Assembly No.</u> A041430 Revision: FA
Item	FN	Part	Qty	Description
1		NSS	1	NOT SERVICED SEPARATELY HOUSING
2		9722220178	1	FILTER
3		9722220179	1	SCREW, LONG
4		NSS	2	NOT SERVICED SEPARATELY O-RING
5		9722220180	1	RESERVOIR
6		9722220181	1	FOOT
7		NSS	1	NOT SERVICED SEPARATELY O-RING
8		9722220182	1	NUT
9		NSS	1	NOT SERVICED SEPARATELY O-RING
10		9722220183	1	PLUG (AIR VENT/FILL)
11		9722220184	1	BALL, STEEL
12		9722220185	1	PLUG
13		9722220186	1	BALL, STEEL
14		9722220187	1	BALL, STEEL
15		9722220188	1	WASHER, COPPER
16		9722220189	1	BOLT
17		9722220190	1	VALVE, RELEASE
18		9722220184	1	BALL, STEEL
19		9722220191	1	NUT, RELEASE
20		NSS	1	NOT SERVICED SEPARATELY VALVE, RELEASE
21		9722220192	1	PLUG (3/8")
22		9722220193	1	BALL, STEEL
23		9722220194	1	PIN
24		9722220195	1	SPRING, H.P.
25		NSS	1	NOT SERVICED SEPARATELY O-RING
26		9722220196	1	BOLT
27		9722220197	1	PIN, PISTON
28		9722220198	1	PIN, SOCKET
29		9722220199	1	RING, SNAP
30		9722220200	1	SOCKET

Manitowoc Cranes

Description

CRAWLER HANDLING CHAIN SLING

Assembly No.

810058676

Revision: **L**

Item	FN	Part	Qty	Description
102		1721732	1	SLING LIFTING

Manitowoc Cranes

Description

CARBODY COUNTERWEIGHT BOX S/2

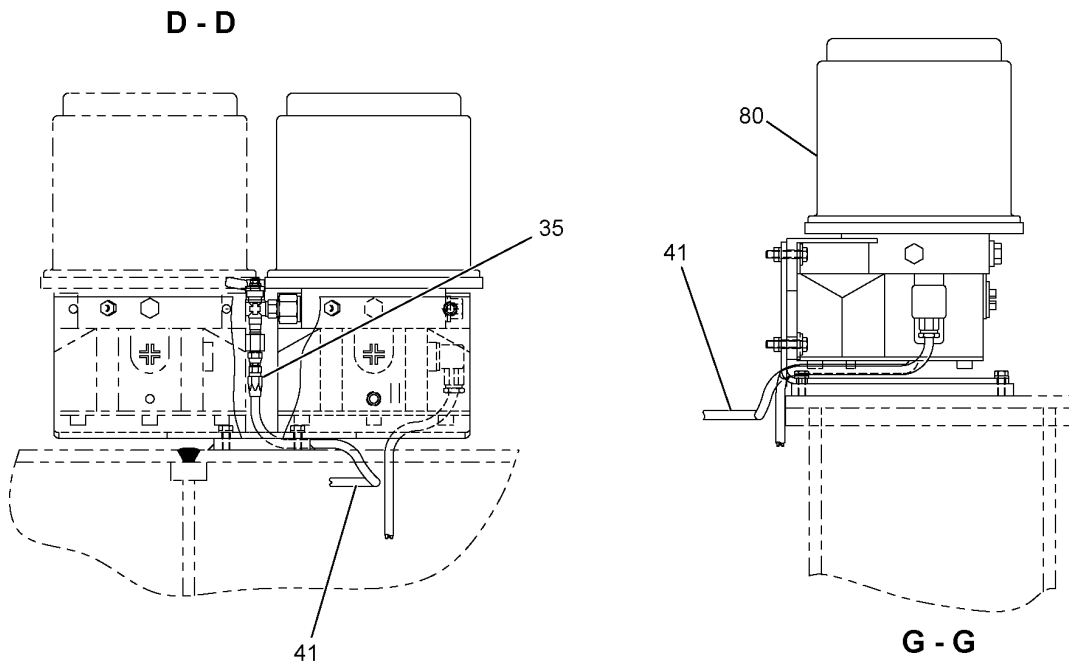
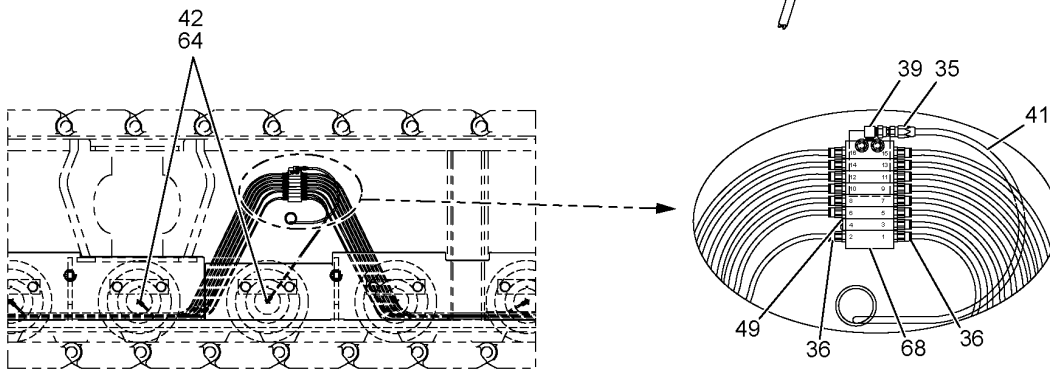
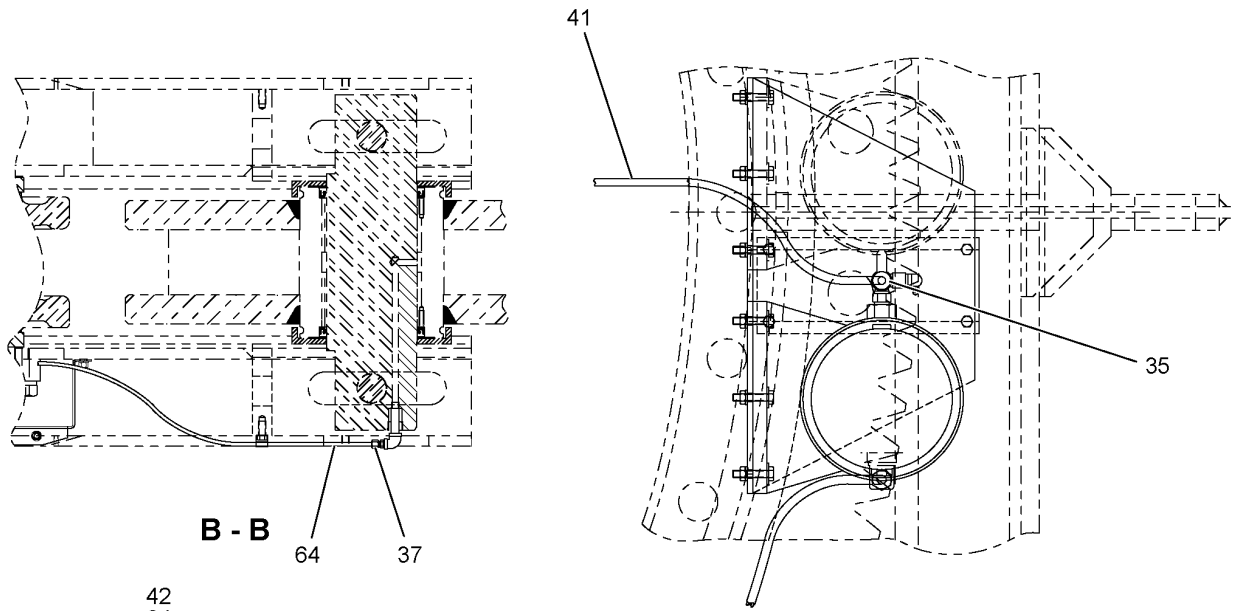
Assembly No.

81032579

Revision: **A**

Item	FN	Part	Qty	Description
1		1387332	2	PIN 2 HOLE
2		1957572	1	COUNTERWEIGHT
3		5638230	4	PIN SAFETY

Manitowoc Cranes



Manitowoc Cranes

Description

MAST RIGGING ASSEMBLY

Assembly No.

1958691

Revision: **FA**

Item	FN	Part	Qty	Description
3	+	6462460	1	SOCKET/WEDGE, 1" (26 MM)

+ SEE FURTHER BREAKDOWN THIS GROUP

Manitowoc Cranes

Description

PHYSICAL BOOM STOPS

Assembly No.

1954671

Revision: **FC**

Item	FN	Part	Qty	Description
1		1644792	2	KEEPER PLATE
2		1715239	2	PIN KEEPER
3		1766909	4	PIN
4		1766919	2	PIN
6		1954682	2	TUBE
7		1954692	2	TUBE
9		1954712	2	BOOM STOP GUIDE BAR
11		2775110	2	PENDANT EACH
12		6525280	2	SPRING COMPRESSION
13		A053152	2	STRUT
14		5483500	4	HEX LOCK NUT PA
15		7095300	2	F WASHER
16		5621100	2	PIN COTTER

Manitowoc Cranes

Description

SHEAVE CROSBY #801645

Assembly No.

1767129

Revision: **FA**

Item	FN	Part	Qty	Description
2		1756122	1	BUSHING
3		6164890	2	SCREW, ROUND HEAD BRASS
4		4290100	1	FITTING

Manitowoc Cranes

Description

#82 BOOM LACINGS SERVICE GROUP

Assembly No.

O-569

Revision: **FB**

Item	FN	Part	Qty	Description
1		NPN	1	NO PART NUMBER FOR SERVICE REVIEW ALL THE INFO. LISTED PER THE APPLICATION FOR THE REQUIRED SERVICE ITEMS

Manitowoc Cranes

Description
NIPPLE ASSEMBLY

Assembly No.
3754400
 Revision: **C**

Item	FN	Part	Qty	Description
1	*	9364220158	1	KIT, NIPPLE SEAL INCLUDES ITEMS 13, 14, 15 AND 16
13	*	NSS	1	NOT SERVICED SEPARATELY RING, BACK-UP
14	*	NSS	1	NOT SERVICED SEPARATELY O-RING
15	*	NSS	1	NOT SERVICED SEPARATELY O-RING
16	*	NSS	1	NOT SERVICED SEPARATELY RING, BACK-UP

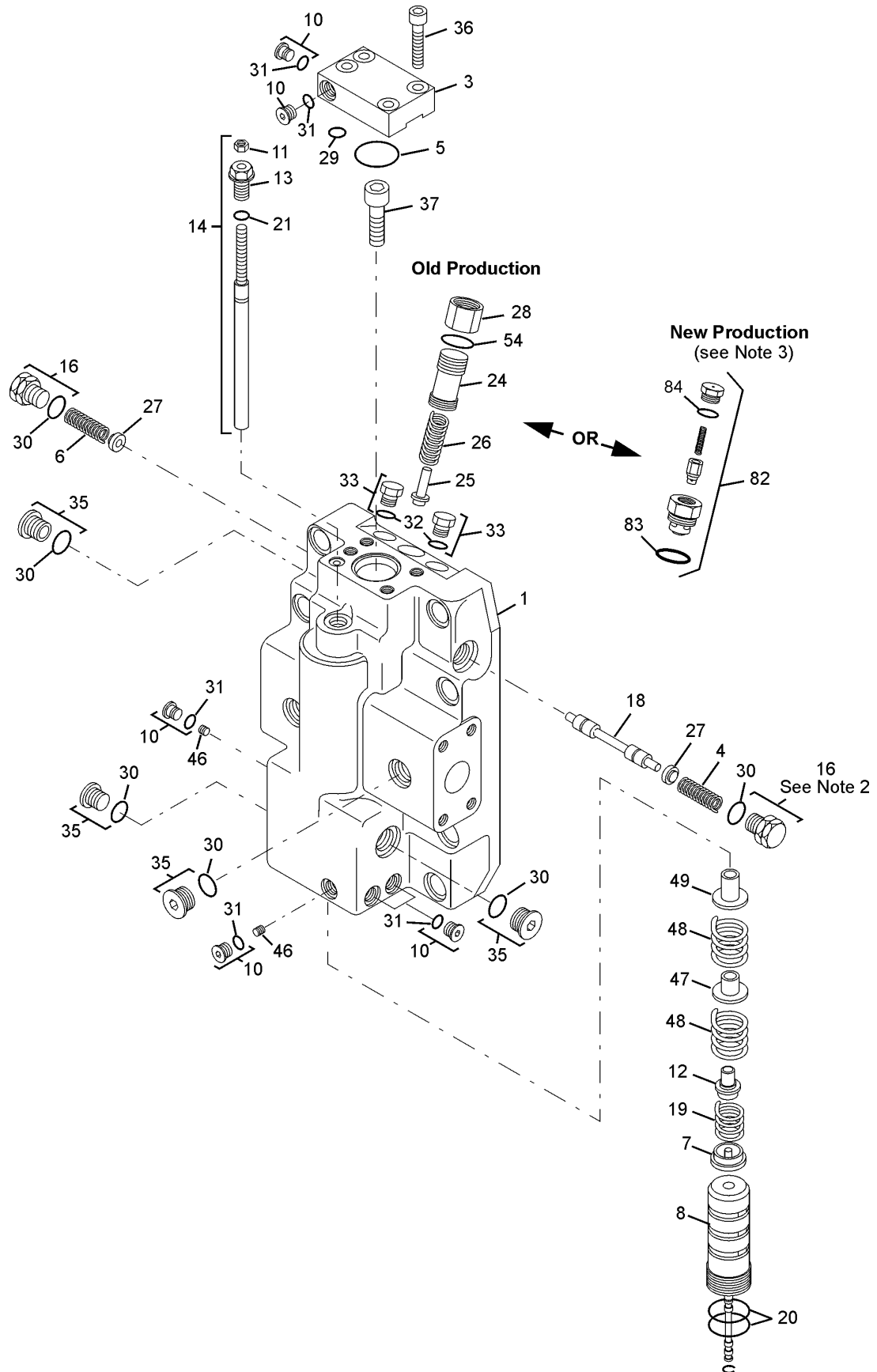
* REPAIR KIT AND/OR PART OF KIT

Manitowoc Cranes

<u>Description</u> DRUM ASSEMBLY-AUXILIA				<u>Assembly No.</u> 179491A Revision: FC
Item	FN	Part	Qty	Description
1		1773732	1	FRAME, AUXILIARY HOIST
2		6313500	1	SHEAVE
3	+	4650930	1	GEAR BOX ASSY. W/BRAKE ASSY.
4	+	810000080	1	MOTOR
5		6184670	12	SCREW, HEX HEAD CAP
6		6149480	24	SCREW, SOCKET HEAD CAP
7		1773792	1	DRUM
8		1773682	1	SHAFT, STUB
9		1773692	1	ADAPTOR
10		6229290	1	SEAL, OIL
11		2245800	1	BEARING, SPHERE
12		1730182	1	BRACKET
13		1773982	1	COVER
14		1774012	1	GASKET
15		5969030	1	RING, SNAP
16		1773334	1	PAWL SUB-ASSEMBLY
17		1773314	1	LEVER SUB-ASSEMBLY
18		0701262	1	SPRING
19		6018290	1	ROD END
20	+	3852250	1	CYLINDER, HYDRAULIC
21		1794962	1	PLATE, PIVOT
22		6124600	1	HHCS, 3/8-16UNC X 1.75 GR 5
23		1765312	1	PLATE, KEEPER
24		1765302	1	PLATE, KEEPER
25		0757472	2	BOLT, EYE
26		1762702	1	PIN
27		1762699	1	PIN
28		1794972	1	SPACER
29		6125100	1	SCREW, HEX CAP
30		1718779	2	SHIM
31		1700812	5	WASHER
32		A188710	1	ENCODER
33		1740184	1	INDICATOR WHEEL ASSEMBLY
34		3779410	1	COUPLING, FLEXIBLE

+ SEE FURTHER BREAKDOWN THIS GROUP

Manitowoc Cranes



Manitowoc Cranes

Description

DRUM ASSEMBLY-AUXILIA

Assembly No.

1794912

Revision: **FC**

Item	FN	Part	Qty	Description
60		0169842	1	WEDGE, ANCHOR

Manitowoc Cranes

Description

VALVE MANIFOLD ASSEMBLY

Assembly No.

7041480

Revision: **A**

Item	FN	Part	Qty	Description
1		9926220360	1	CARTRIDGE, VALVE
2		7041485	1	KIT, SEAL

Manitowoc Cranes

Description

BOOM BUTT SUPPORT ASSEMBLY

Assembly No.

1959461

Revision: **FB**

Item	FN	Part	Qty	Description
2		1959492	2	BRACKET
5		1770602	2	STRUT
6		1770612	1	FRAME
7		0028509	4	PIN 2 HOLE
9		5638750	2	HITCH PIN
13		6126690	16	HHCS
14		5460580	16	HEX NUT
15		7103070	16	WASHER, LOCK
16		7094800	32	WASHER, FLAT

Manitowoc Cranes

Description
SHEAVE ASSY

Assembly No.
1712501
Revision: **F**

Item	FN	Part	Qty	Description
1		2250190	1	BEARING
2		6227720	2	OIL SEAL
3		1703542	1	SHEAVE, 30 IN DIA

Manitowoc Cranes

Description
SHEAVE ASSY

Assembly No.
1712501
Revision: **F**

Item	FN	Part	Qty	Description
1		2250190	1	BEARING
2		6227720	2	OIL SEAL
3		1703542	1	SHEAVE, 30 IN DIA

Manitowoc Cranes

Description

ROLLER W/2-162801 BUS

Assembly No.

1796734

Revision: **FA**

Item	FN	Part	Qty	Description
1		1628012	2	BUSHING
2		1796592	1	ROLLER
3		6164960	2	SCREW, BR MACH
4		6227880	2	SEAL, OIL

Manitowoc Cranes

Description

LOAD SENSOR INSTRUMENTED

Assembly No.

1956281

Revision: **FB**

Item	FN	Part	Qty	Description
1		1792429	1	SHEAVE
2		1792432	2	WASHER
3		1793052	1	PLATE KEEPER
4		1959802	1	PIN 2 HOLE
5		1959822	1	FRAME
6		6203170	1	HSSS CUP
7		2250680	1	BEARING
8		5638230	1	PIN SAFETY
10		5636450	1	PFEP PIN LOAD 3PS
11		5963570	1	RETAINING RING INT
12		6124540	2	SCREW, HEX CAP
13		7103040	2	WASHER, LOCK

Manitowoc Cranes

Description

SWITCH ASSEMBLY BLOCK

Assembly No.

1957499

Revision: **C**

Item	FN	Part	Qty	Description
1		0012042	1	SPRING
2		810152440	1	BOLT, EYE
3		1622712	1	COVER
4		1770762	1	BRACKET
5	+	1770804	1	LEVER
6		810138430	1	CAP, SEAL MINI-FAST/CHANGE REC
7		2528810	1	SCREW, SOCKET SET
8		3636570	1	ELBOW, CONDUIT
9		5896540	1	RECEPTACLE, MALE
10		5386660	1	NAMEPLATE (195749)
11		5434440	1	PIPE, NIPPLE
12		6246330	1	SHACKLE
13		810161270	1	SWITCH, LIMIT
14		7091510	2	WASHER, COPPER
15		6668560	1	STRAP, CABLE TIE, NYLON
16		5467630	2	NUT, HEX JAM
17		810161360	1	SWITCH, LEVER ARM FIXED

+ SEE FURTHER BREAKDOWN THIS GROUP

Manitowoc Cranes

Description
TOP 40 FT ASSEMBLY

Assembly No.
A010243
 Revision: **FA**

Item	FN	Part	Qty	Description
1		810088292	2	SIGN BOOM
2		0782922	2	PIN
3		1625762	2	SPACER
4	+	1770421	1	LOWER BOOM POINT F/#22 EL BOOM
5		1771911	1	UPPER WI
6		1798622	4	COLLAR
7		1798632	4	PIN 1 HOLE W/HD
8		1799592	4	PIN 2 HOLE
10		1954722	2	STRAP
11		810171230	1	TIMBER
12		1960282	2	PIN 2 HOLE
14		7121171301	32	SLOT PMS
15		7661170004	32	NUT, HEX - 8MM
16		7951170210	32	WASHER, LOCK 8MM
17		A010255	1	#A01025 40 FT #82 BOOM TOP
19	+	810168982	1	PLATFORM CATWALK ASSY
21		810175352	2	SPACER PLATE

+ SEE FURTHER BREAKDOWN THIS GROUP

Manitowoc Cranes

Description

TOP 40 FT, #82 BOOM

Assembly No.

A010251

Revision: **D**

Item	FN	Part	Qty	Description
901		A010259	1	TOP 40 FT, #82 BOOM PER REV D

Manitowoc Cranes

OPPOSITE LACINGS (BLACK) SAME UNLESS NOTED:

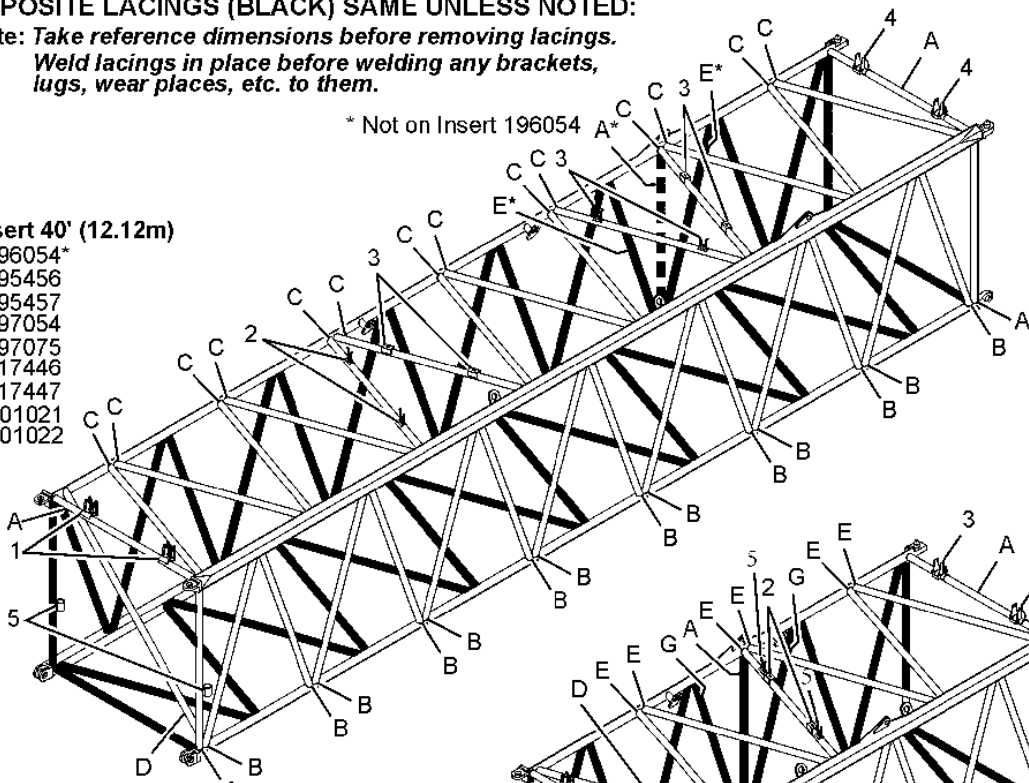
Note: Take reference dimensions before removing lacings.

Weld lacings in place before welding any brackets, lugs, wear places, etc. to them.

* Not on Insert 196054

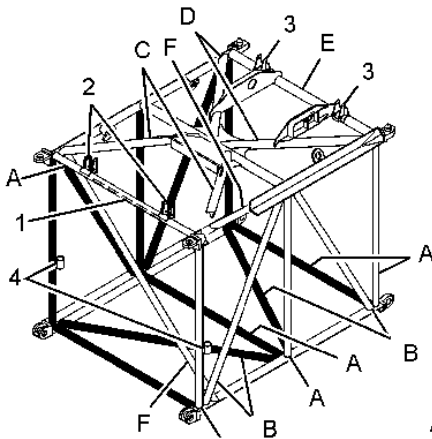
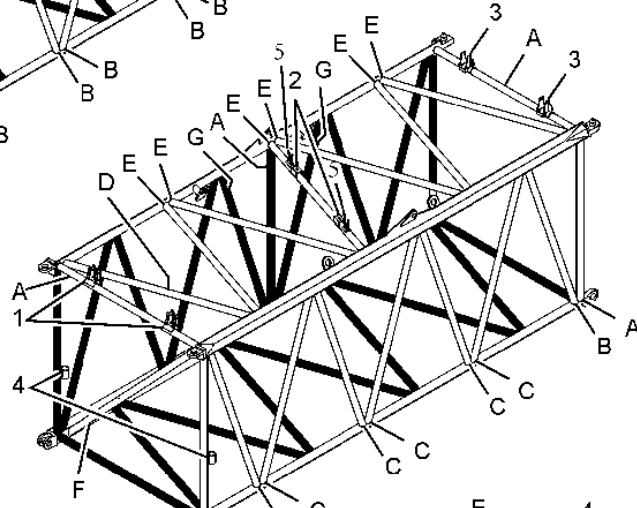
Insert 40' (12.12m)

- #196054*
- #195456
- #195457
- #197054
- #197075
- #417446
- #417447
- #A01021
- #A01022



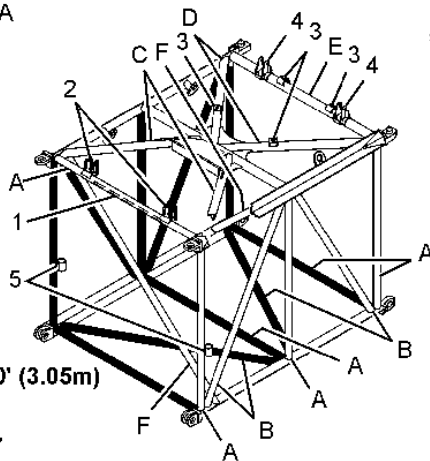
Insert 20' (6.10m)

- #195455
- #197052
- #417445
- #A01020



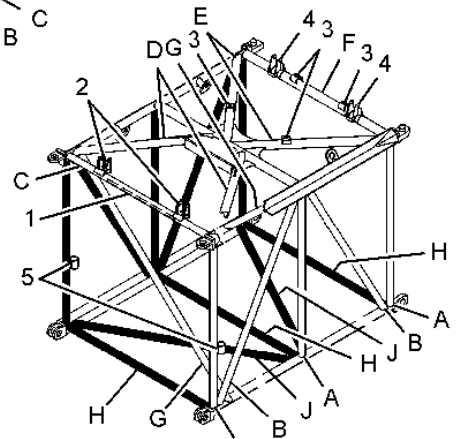
Insert 10' (3.05m)

- #195454
- #417452
- #A01014
- #A01015



Insert 10' (3.05m)

- #196006
- #417444
- #A01017
- #A01122



Insert 10' (3.05m)

- #197050
- #A01016
- #A01019

Manitowoc Cranes

OPPOSITE LACINGS (BLACK) SAME UNLESS NOTED:

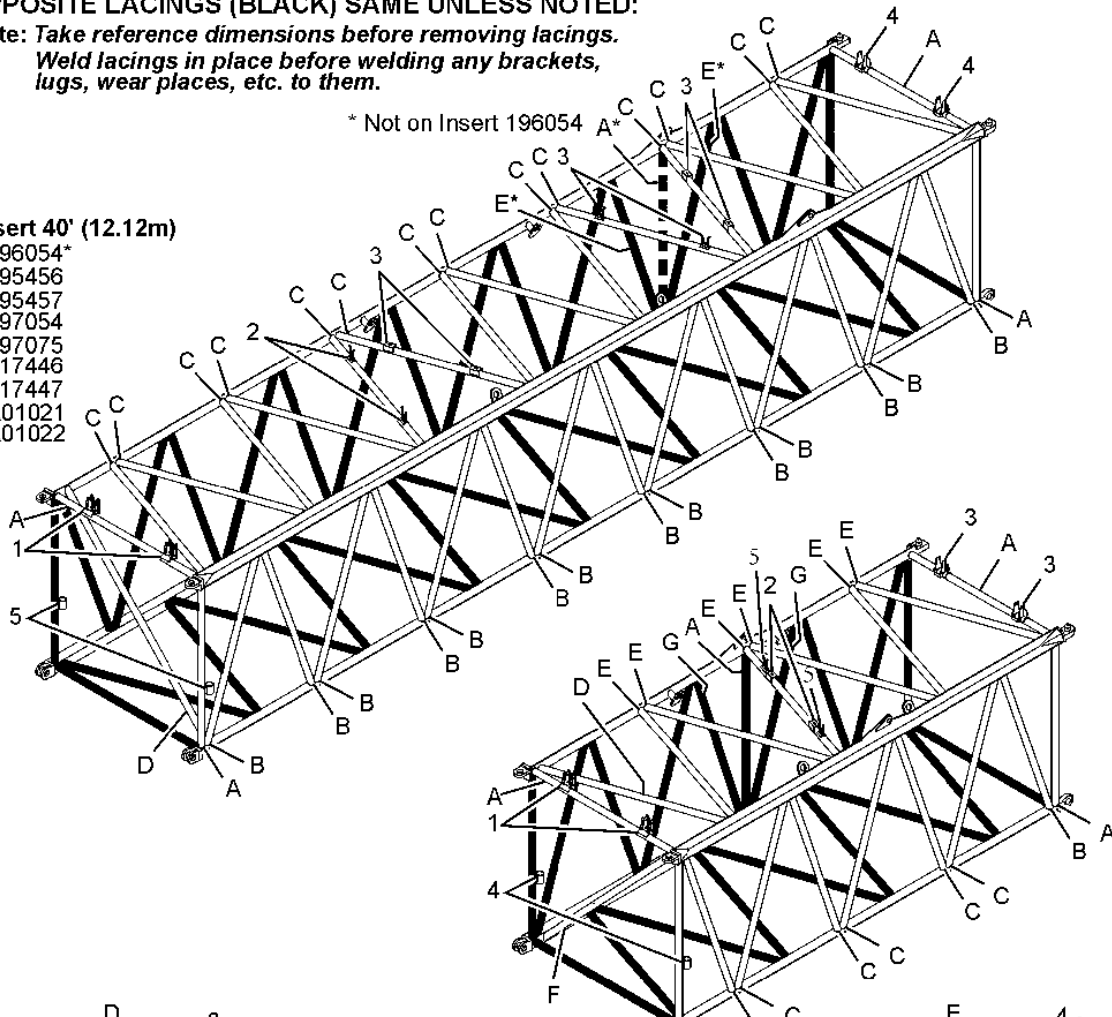
Note: Take reference dimensions before removing lacings.

Weld lacings in place before welding any brackets, lugs, wear places, etc. to them.

* Not on Insert 196054

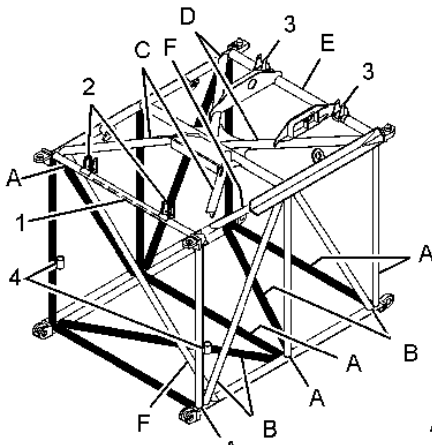
Insert 40' (12.12m)

- #196054*
- #195456
- #195457
- #197054
- #197075
- #417446
- #417447
- #A01021
- #A01022



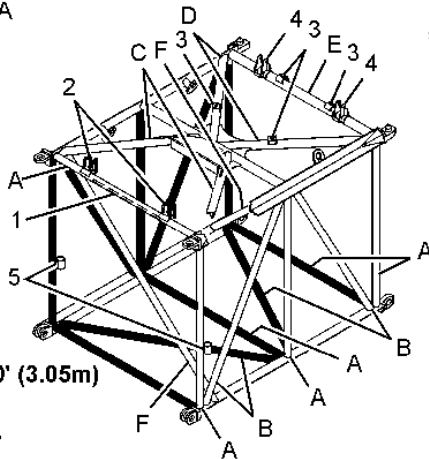
Insert 20' (6.10m)

- #195455
- #197052
- #417445
- #A01020



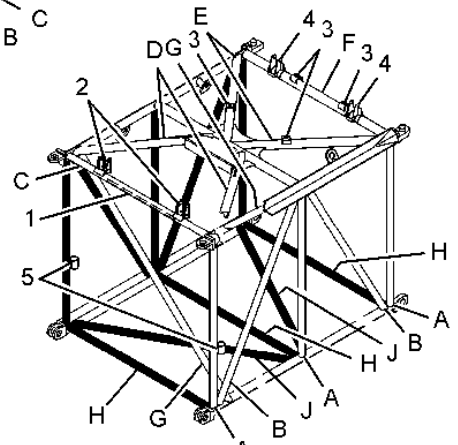
Insert 10' (3.05m)

- #195454
- #417452
- #A01014
- #A01015



Insert 10' (3.05m)

- #196006
- #417444
- #A01017
- #A01122



Insert 10' (3.05m)

- #197050
- #A01016
- #A01019

Manitowoc Cranes

OPPOSITE LACINGS (BLACK) SAME UNLESS NOTED:

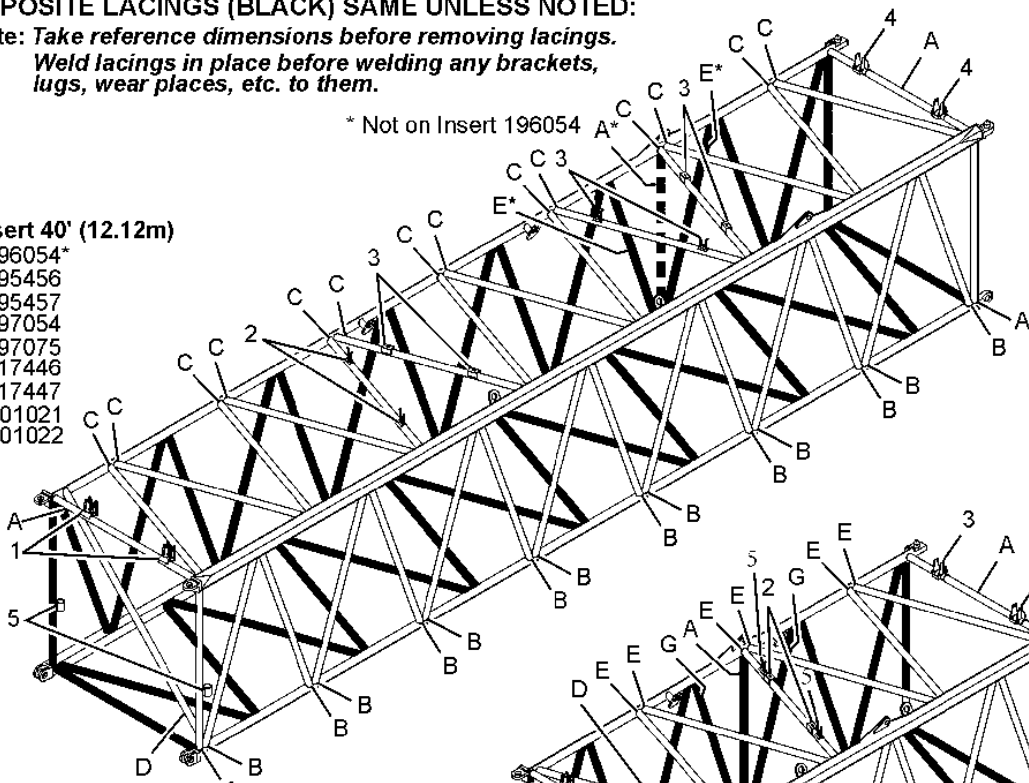
Note: Take reference dimensions before removing lacings.

Weld lacings in place before welding any brackets, lugs, wear places, etc. to them.

* Not on Insert 196054

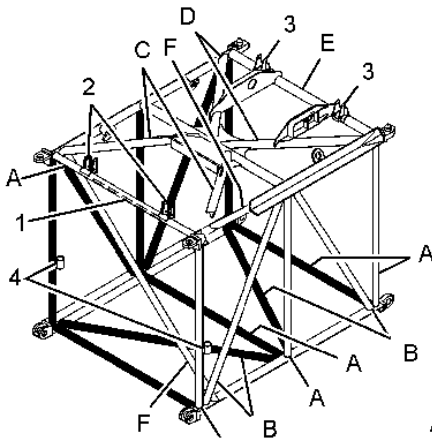
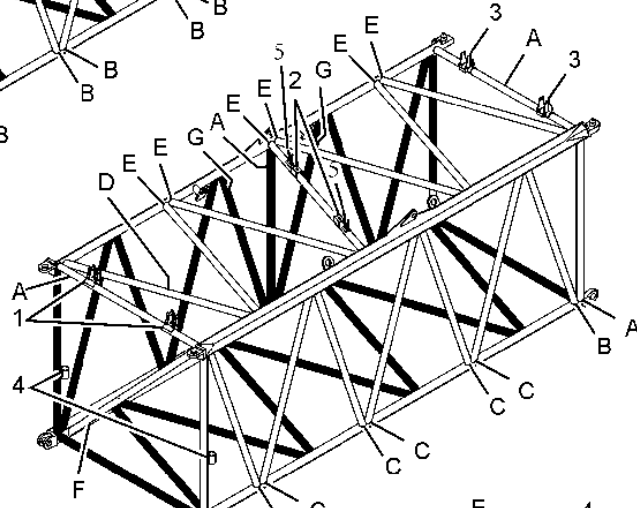
Insert 40' (12.12m)

- #196054*
- #195456
- #195457
- #197054
- #197075
- #417446
- #417447
- #A01021
- #A01022



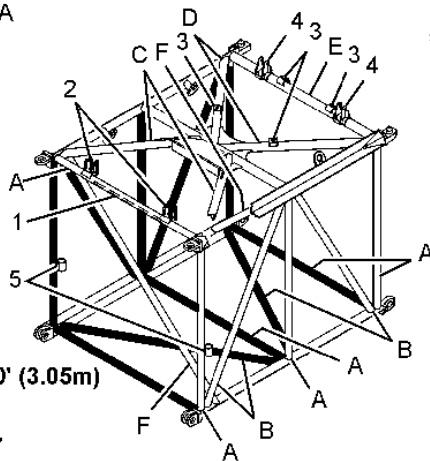
Insert 20' (6.10m)

- #195455
- #197052
- #417445
- #A01020



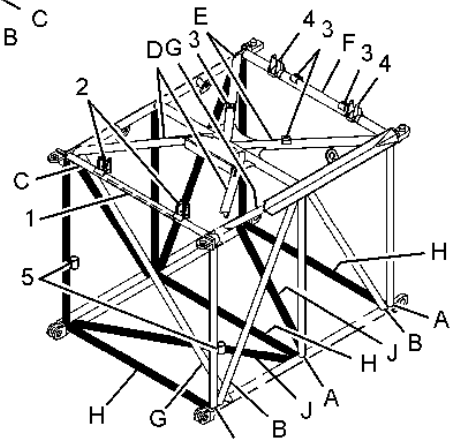
Insert 10' (3.05m)

- #195454
- #417452
- #A01014
- #A01015



Insert 10' (3.05m)

- #196006
- #417444
- #A01017
- #A01122



Insert 10' (3.05m)

- #197050
- #A01016
- #A01019

Manitowoc Cranes

Description

PLATFORM CATWALK ASSY

Assembly No.

810169012

Revision: **B**

Item	FN	Part	Qty	Description
1		7660152500	38	LOCKNUT, HEX GRADE 5
2		6124050	12	HHCS
3		810166880	1	CAT WALK
4		810166910	26	WASHER SHOULDER
5		810168362	13	SUPPORT
6		810169952	2	BRACKET
7		810169980	1	PLATFORM CATWALK WELDMENT
8		7115155064	26	C BOLT
9		7950150141	50	WASHER, FLAT 5/16"

Manitowoc Cranes

OPPOSITE LACINGS (BLACK) SAME UNLESS NOTED:

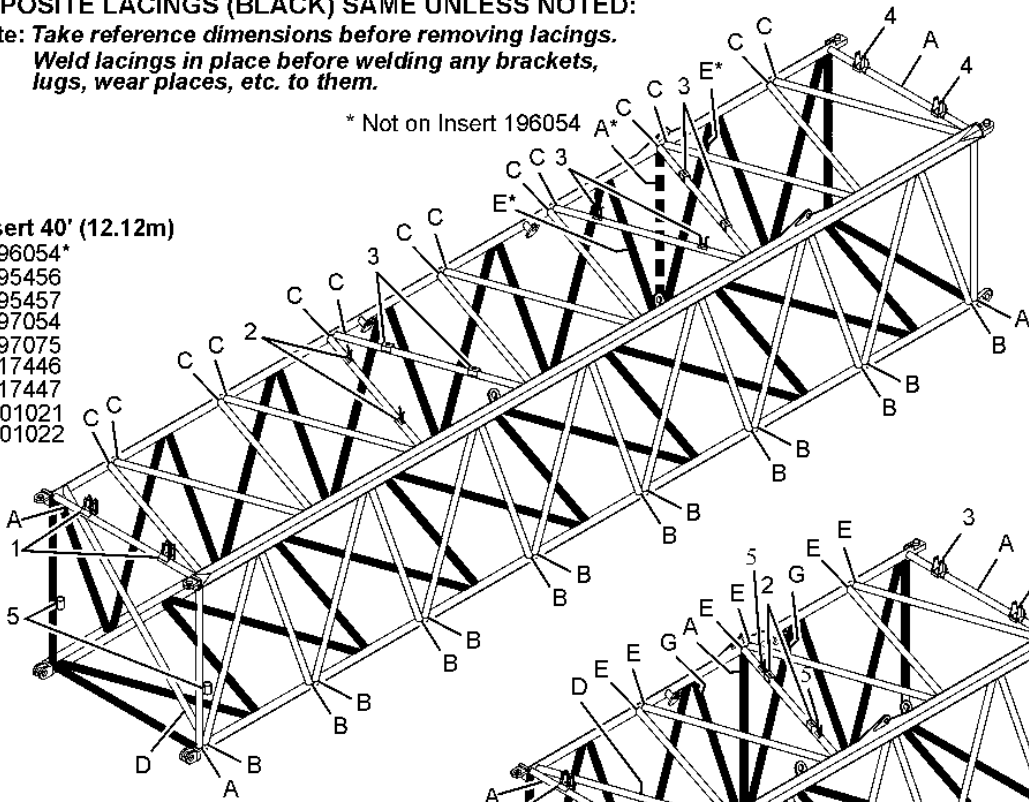
Note: Take reference dimensions before removing lacings.

Weld lacings in place before welding any brackets, lugs, wear places, etc. to them.

* Not on Insert 196054

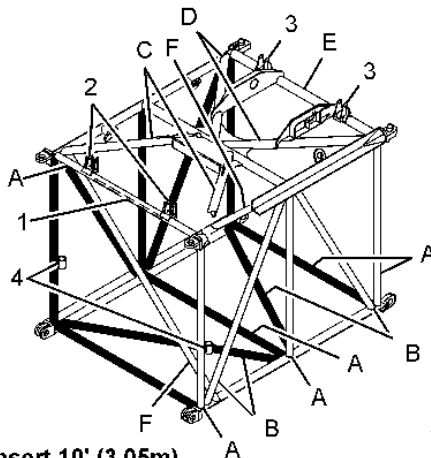
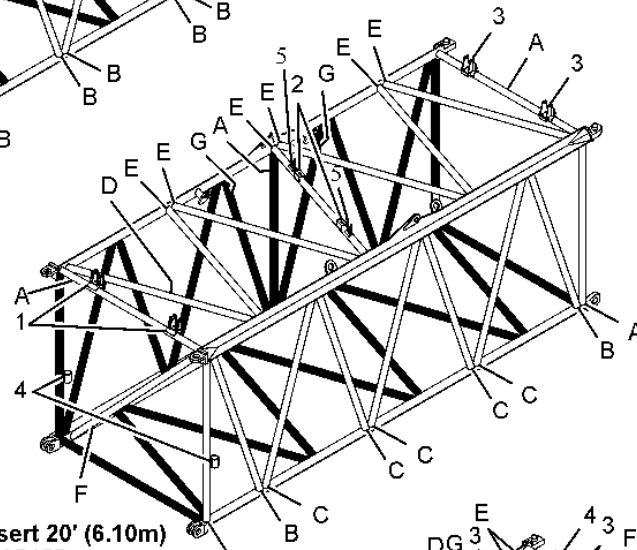
Insert 40' (12.12m)

- #196054*
- #195456
- #195457
- #197054
- #197075
- #417446
- #417447
- #A01021
- #A01022



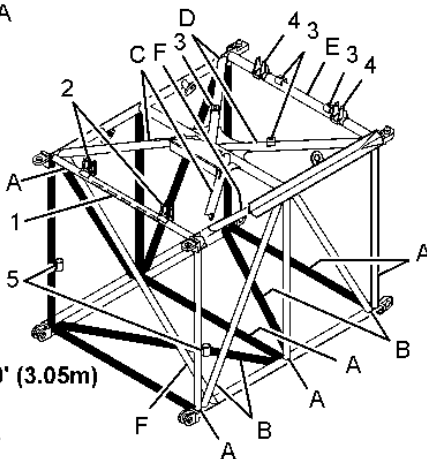
Insert 20' (6.10m)

- #195455
- #197052
- #417445
- #A01020



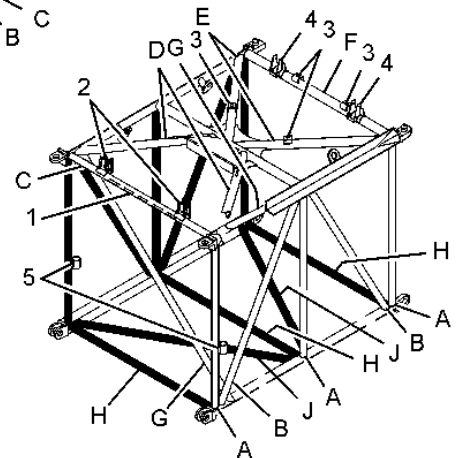
Insert 10' (3.05m)

- #195454
- #417452
- #A01014
- #A01015



Insert 10' (3.05m)

- #196006
- #417444
- #A01017
- #A01122



Insert 10' (3.05m)

- #197050
- #A01016
- #A01019

Manitowoc Cranes

Description

40FT #82 BOOM INSERT

Assembly No.

81032601

Revision: **B**

Item	FN	Part	Qty	Description
1	+	1954561	1	40FT #82 BOOM INSERT,
2	+	1954643	1	STRAPS
3	+	810169021	1	PLATFORM CATWALK ASSY

+ SEE FURTHER BREAKDOWN THIS GROUP

Manitowoc Cranes

Description

STRAPS

Assembly No.

1954643

Revision: **FA**

Item	FN	Part	Qty	Description
1		1798622	4	COLLAR
2		1798632	4	PIN 1 HOLE W/HD
3		1799592	4	PIN 2 HOLE
4		1954602	2	STRAP
5		810171230	1	TIMBER
6		1959842	4	LINK
7		0782922	4	PIN
11		1954569	1	INSERT
13	+	810169021	1	PLATFORM CATWALK ASSY
15		810175352	4	SPACER PLATE

+ SEE FURTHER BREAKDOWN THIS GROUP

Manitowoc Cranes

Description
40FT #82 BOOM INSERT,

Assembly No.
1954561
Revision: A

Item	FN	Part	Qty	Description
1	+	O-569	1	#82 BOOM LACINGS SERVICE GROUP

+ SEE FURTHER BREAKDOWN THIS GROUP

Manitowoc Cranes

Description

PLATFORM CATWALK ASSY

Assembly No.

810169021

Revision: **B**

Item	FN	Part	Qty	Description
1		7660152500	84	LOCKNUT, HEX GRADE 5
2		6124050	36	HHCS
3		810166880	3	CAT WALK
4		810166910	48	WASHER SHOULDER
5		810168362	24	SUPPORT
6		810169952	6	BRACKET
7		810169980	1	PLATFORM CATWALK WELDMENT
8		7115155064	48	C BOLT
9		7950150141	120	WASHER, FLAT 5/16"

Manitowoc Cranes

Description

#82 BOOM LACINGS SERVICE GROUP

Assembly No.

O-569

Revision: **A**

Item	FN	Part	Qty	Description
1		NPN	1	NO PART NUMBER FOR SERVICE REVIEW ALL THE INFO. LISTED PER THE APPLICATION FOR THE REQUIRED SERVICE ITEMS

Manitowoc Cranes

OPPOSITE LACINGS (BLACK) SAME UNLESS NOTED:

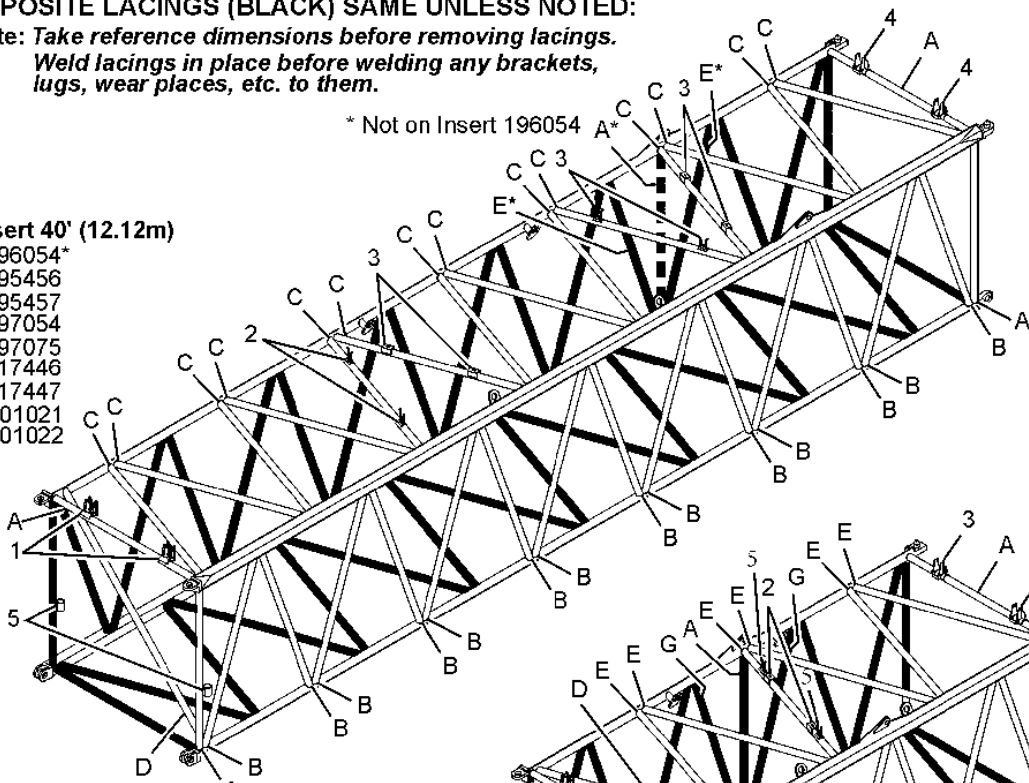
Note: Take reference dimensions before removing lacings.

Weld lacings in place before welding any brackets, lugs, wear places, etc. to them.

* Not on Insert 196054

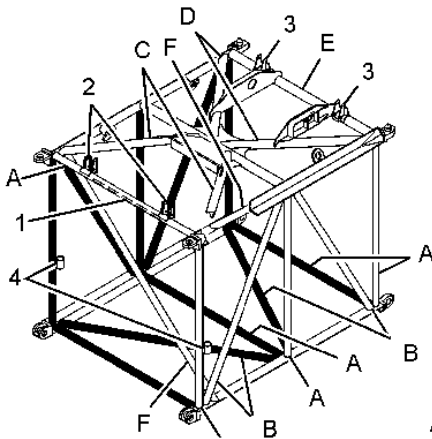
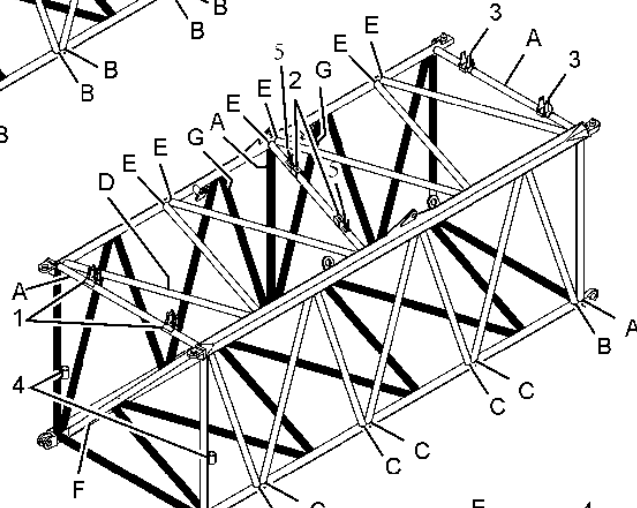
Insert 40' (12.12m)

- #196054*
- #195456
- #195457
- #197054
- #197075
- #417446
- #417447
- #A01021
- #A01022



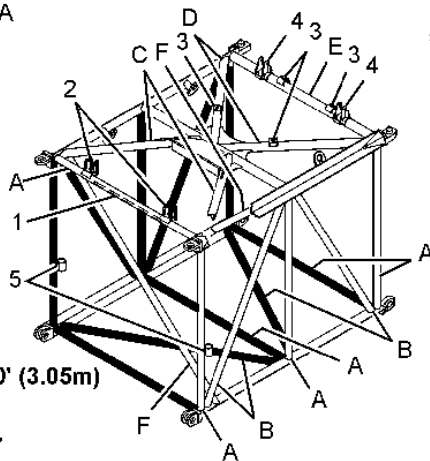
Insert 20' (6.10m)

- #195455
- #197052
- #417445
- #A01020



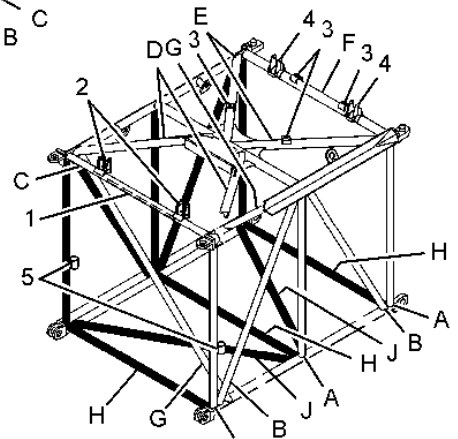
Insert 10' (3.05m)

- #195454
- #417452
- #A01014
- #A01015



Insert 10' (3.05m)

- #196006
- #417444
- #A01017
- #A01122



Insert 10' (3.05m)

- #197050
- #A01016
- #A01019

Manitowoc Cranes

Description

PLATFORM CATWALK ASSY

Assembly No.

810169022

Revision: **B**

Item	FN	Part	Qty	Description
1		7660152500	84	LOCKNUT, HEX GRADE 5
2		6124050	36	HHCS
3		810166880	3	CAT WALK
4		810166910	48	WASHER SHOULDER
5		810168362	24	SUPPORT
6		810169952	6	BRACKET
7		810169980	1	PLATFORM CATWALK WELDMENT
8		7115155064	48	C BOLT
9		7950150141	120	WASHER, FLAT 5/16"

Manitowoc Cranes

Description

BLOCK UP LIMIT SWITCH ASSEMBLY

Assembly No.

1957494

Revision: **C**

Item	FN	Part	Qty	Description
1		0012042	1	SPRING
2		810152440	1	BOLT, EYE
3		1622712	1	COVER
4		1770762	1	BRACKET
5	+	1770804	1	LEVER
6		810138430	1	CAP, SEAL MINI-FAST/CHANGE REC
7		2528810	1	SCREW, SOCKET SET
8		3636570	1	ELBOW, CONDUIT
9		5896540	1	RECEPTACLE, MALE
10		5386660	1	NAMEPLATE (195749)
11		5434440	1	PIPE, NIPPLE
12		6246330	3	SHACKLE
13		810161270	1	SWITCH, LIMIT
14		7091510	2	WASHER, COPPER
15		6668560	1	STRAP, CABLE TIE, NYLON
16		5467630	2	NUT, HEX JAM
17		810161360	1	SWITCH, LEVER ARM FIXED

+ SEE FURTHER BREAKDOWN THIS GROUP

Manitowoc Cranes

Description

SOCKET-WEDEGE FOR UPPER POINT

Assembly No.

1655485

Revision: **A**

Item	FN	Part	Qty	Description
204	+	6462460	1	SOCKET/WEDGE, 1" (26 MM)
206		810077062	1	LINK

+ SEE FURTHER BREAKDOWN THIS GROUP

Manitowoc Cranes

Description

WIND SPEED INDICATOR ASSEMBLY

Assembly No.

1958911

Revision: **FB**

Item	FN	Part	Qty	Description
1		1614164	1	COUNTERWEIGHT FOR WIND SPEED
2		1614172	1	PIN 2 HOLE
6		1771522	1	BRACKET
8		1772272	1	SUPPORT
11		2898180	0	BUSHING, COMPOSITE
12		2902250	1	BUSHING
13		2978050	1	CABLE-ALUM
14		3490360	9	CLIP, CORD
15		3642210	3	CONNECTOR, 2 POLE SHROUD
16		3963250	1	PIN SPRING SLOT, 1/8 DIA X 1.
17		3963270	1	PIN SPRING SLOT
19		4720330	1	GROMMET
22		5460540	8	NUT, HEX
24		5723480	3	PLUG-FEMALE
25		5911160	1	REEL-CABLE
27		6124560	8	SCREW, HEX CAP
28		6207740	4	SCREW
29		6229350	12	SEAL
31		A094400	2	TAPE - S-1278-01
32		810161520	2	TUBING POLYOLEFIN
33		6805450	6	TERMINAL, PIN CONTACT
34		6805460	6	TERMINAL
36		6124510	4	HHCS
37		7103040	8	WASHER, LOCK
38		810142460	3	PLUG ELECTRICAL
39		810142470	3	PLUG ELECTRICAL

Manitowoc Cranes

Description

SENSOR, WIND SPEED

Assembly No.

A044140

Revision: **FA**

Item	FN	Part	Qty	Description
1		4894173	3	CUP & ARM ASSEMBLED
2		90017035	3	SCREW, ALLEN SET

Manitowoc Cranes

Alphabetical Index	Appendix A	
Description	Part	Page
CAP SCREW	7126171253	172, 190
CAP SCREW,	7115201650	33
	7118182850	260, 395
CAP SCREW, HEX HEAD M10 X 35	7126191453	172
CAP SCREW, M10 X 100MM HEX HEAD	7126192650	605
CAP SCREW, M10 X 20 HEX HEAD	7126191153	181
CAP SCREW, M10 X 25 HEX HEAD	7126191253	181
CAP SCREW, M10 X 30	7127191353	185, 212, 219
CAP SCREW, M10X30	7127191354	212
CAP SCREW, M10X35	7127191453	212
CAP SCREW, M10X40 HEX HEAD	7127191550	212
CAP SCREW, M12 X 25MM HEX HEAD	7126211253	219
CAP SCREW, M12 X 30 HEX HEAD	7126211353	172
CAP SCREW, M16 X 40MM LONG	7126241553	231
CAP SCREW, M16 X 45MM HEX HEAD	7126241653	219
CAP SCREW, M6X20 HEX HEAD	7126151150	227
	7126151153	227
CAP SCREW, M8 X 20MM HEX HEAD	7126171153	227
CAP SCREW, M8 X 40MM HEX HEAD	7126171550	231
CAP SCREW, M8X10 HEX HEAD -8.8	7126170753	227
CAP SEAL	810138440	341
CAP, FILTER	90020445	215
CAP, LOWER	9872220090	335
CAP, PIPE	3042240	171, 237
CAP, RADIATOR (16 P.S.I.)	90018203	197
CAP, SEAL MINI-FAST/CHANGE REC	810138430	21, 43, 713, 719, 869
CAP, TAMPER PROOF (GREEN)	9632220062	511, 641, 642
CAPSCREW	9974103015	637
CARBODY MACHINING, MODEL 999	810048362	491
CARRIER	1760282	515
CARRIER, 2ND STAGE PLANET (INP	9490220476	524
CARRIER, 2ND STAGE PLANET (OUT	9490220475	524
CARRIER, 3RD STAGE PLANET (OUT	9490220484	523
CARRIER, PLANET	9490220451	8
	9490220457	9
	9490220463	9

From - CAP SCREW

To - CARRIER, PLANET

Manitowoc Cranes

Alphabetical Index	Appendix A	
Description	Part	Page
ELBOW RUBBER REDUCING	810099480	181
ELBOW RUBBER, 2.25 ID X 71 DE	A196930	190
ELBOW, 90°	810163000	295, 301
ELBOW, CONDUIT	3636570	713, 719, 869
ELBOW, PIPE	4067100	401
	4069600	401
	4069690	401
ELEC CABLE	2974710	309
ELEC CONNECTOR	810247330	355
ELEC MOTOR 12V ACTUATOR	81041234	175
ELEC PWR PLNT ASY 12/24VDC T4F	81031421	167
ELEC. CONTROL WIRING ASSEMBLY	195602K	357
ELECTRIC POWER PLANT ASSY	810093954	357
	810093955	445
ELECTRICAL CONTROL WIRING	195602D	357
	195602F	97
	195602G	1
ELEMENT, FILTER	A104130	419, 443
ENCLOSURE	810094013	121
	810144811	163
	810230990	163
ENCLOSURE ASSY	A116648	163
ENCLOSURE ENGINE THROTTLE	1788322	95
ENCLOSURE KIT, ENGINE COVER T	810144819	165
ENCODER	A188710	629
ENCODER INCREMENTAL	4114620	303
END	1767442	95
END FRAME	4460100	349, 355
END PLATE	0798162	33
END ROD	1767432	95
ENGINE 380HP CUMMINS QSL9 T4F	810297290	172, 185
ENGINE INSTALL QSL9 T4F 380HP	810297251	121
ENGINE INSTALLATION	810297271	167
ENGINE THROTTLE CONTROL	81016758	83
ENGINE WATER FILTER	4136240	419, 443
EPICYCLE	90014582	523
	9490221483	523

From - ELBOW RUBBER REDUCING

To - EPICYCLE

Manitowoc Cranes

Alphabetical Index	Appendix A		
Description	Part	Page	
HHCS	6124510	889, 891	
	6124660	163	
	6124760	175	
	6124860	273	
	6125060	179	
	6125080	387	
	6125140	171, 177	
	6125220	612	
	6125320	394	
	6125520	387	
	6125690	235	
	6125770	295	
	6125820	583	
	6126590	159	
	6126610	177, 491	
	6126630	171	
	6126670	497	
	6126690	661, 669	
	6126810	75	
	6126910	691, 693, 695	
	6127130	33, 37, 47, 133	
	6127150	279, 863	
	6127170	47, 175	
	6127190	135, 295, 505	
	6127210	491, 527	
	6127270	123	
	6127360	527	
	6127410	605	
	6127680	295	
	6128150	123	
	6128210	505	
	6144250	131	
	6144300	515	
	6146230	129, 507	
	6184630	295	
	6184720	171	
	6184800	515	
	7118172650	260, 395	
	81040466	175, 185, 212	
	HHCS FULL THREAD	2511650	553
		2511660	553
		7127172553	212
		7127191553	185
HHCS M12x40 -10.9 ISO 4017	7127211553	219	
HHCS M12x60 -8.8 ISO 4017	7126211953	190	
HHCS M12x80 -8.8 ISO 4017	7126212353	172	

From - HHCS

To - HHCS M12x80 -8.8 ISO 4017

Manitowoc Cranes

Alphabetical Index	Appendix A		
Description	Part	Page	
LINK	1765889	49	
	1776062	33	
	1784744	33	
	1959842	747, 777, 793, 809, 825, 841, 857	
	1963842	605	
	1963872	605	
	1963882	605	
	1965052	605	
	1965102	603	
	810077062	879	
	A105450	83	
	A121822	163	
	LINK CLUTCH	81041230	175
	LINK CWT HANDLING LH	1958424	47
LINK CWT HANDLING LOWER	1766352	247	
LINK CWT HANDLING RH	1958444	47	
LINK PENDANT PENDANT	1766244	47	
LINK W/290039 BUSHING	1771234	675, 731	
LOAD CAP ASM	9372220366	537	
LOAD SENSOR INSTRUMENTED	1956271	673	
	1956281	673	
	1959661	673	
LOCK	5101750	107	
LOCK ASM LESS BARREL	9086220330	877	
LOCKWASHER	9974220001	637	
LOCTITE SEALER	6222930	88, 493	
LOOM NYL, ON FLEX GUARD WAYTE	5107220	491	
LOUVER-MOVABLE SLATS	5109360	433	
LOUVER-STATIONARY SLATS	5109370	435	
LOWER BOOM POINT F/#22 EL BOOM	1770421	673, 729	
LUG STUD, PLATED	1778342	663, 671	
MANIFOLD	1934422	259, 393	
MANIFOLD ASSEMBLY	1954231	1	
MANIFOLD ASSEMBLY, TANK RETURN	810143550	402	
MANIFOLD ASSY	810219310	211	
MANIFOLD, VALVE (3 BANK W/RELI	A110209	61	
MAST	1963802	33	
MAST ASSEMBLY--MODEL 999	1963811	1	

From - LINK

To - MAST ASSEMBLY--MODEL 999

Manitowoc Cranes

Alphabetical Index	Appendix A	
Description	Part	Page
PIN, ELASTIC	9490220056	300, 525
PIN, FINAL PLANET	9490220738	635
PIN, PISTON	9722220197	539
PIN, PLATED	1398702	133
	1764702	47
PIN, PRIMARY PLANET	9490220724	635
PIN, QUICK RELEASE	2981220	89
	5639120	597
PIN, ROLL	3963520	87
PIN, SAFETY	5638710	123, 497, 691
PIN, SOCKET	9722220198	539
PIN, SOCKET (1")	9826220013	581, 875, 881
PIN, SOCKET (7/8")	9826220009	55
PIN, SPIROL	9490220267	635
PIN2 HOLE	1960122	603
PINCH CLAMP	80033309	212
PINPULLER ASSY, BOOM HINGE	1762861	121
PINS	1959462	585, 667
PIPE ELBOW 45 DEG STREET, 0.5	810141050	189
PIPE ELBOW 90 DEG STREET, 0.5	810150610	190
PIPE NIPPLE	5431700	171, 181
	5435060	27
PIPE NIPPLE 0.50 DIA, 2.50 LG	810145330	189
PIPE NIPPLE 0.75 DIA	810140510	232
PIPE, 90° ELBOW	810141530	231
PIPE, 90° ELBOW STREET	4069280	237, 401
PIPE, HEX BUSHING	810150530	231
PIPE, NIPPLE	5434060	237, 295, 401
	5434440	713, 719, 869
	5435010	27
	5439620	401
PIPE, NIPPLE TOE	5661470	237
PIPE, TEE	810150540	231
PIPING HYD ASSY. HI PRESS. ACC	810193061	357
PIPING HYD. ASSY ROTATING BED	810140311	357
PIPING HYDR ASSY	810140062	357
	810140302	357

From - PIN, ELASTIC

To - PIPING HYDR ASSY

Manitowoc Cranes

Alphabetical Index	Appendix A	
Description	Part	Page
SCREW, HEX CAP	6124580	163, 171, 193, 275
	6125100	629
	6125550	163, 165, 171, 260, 408, 459, 515
	6125570	33, 83, 161, 163, 175, 189, 241, 260, 605, 745, 757
	6125590	401, 631
	6125730	387
	6126830	401
	6127430	863
	6144280	171
	SCREW, HEX CAP FULL THREAD	7127171153
7127241653		175
SCREW, HEX HEAD	2981060	88
	6123530	21, 29, 87, 295, 313, 451
	6131010	89
	6131030	87
SCREW, HEX HEAD CAP	6124700	377
	6125530	33, 37, 47, 553, 557
	6184670	629
SCREW, HEX HEAD SERRATED FLANG	7126151156	227, 237
SCREW, LOCKING	90022138	201
	90022141	201
SCREW, LONG	9722220179	539
SCREW, MACH ROUND SLOTTED	6177800	713
SCREW, MACHINE ROUND SLOTTED	6185430	237
SCREW, PAN	6205890	231
	6208630	21
SCREW, PAN MACH SOCKET	6205750	23
SCREW, ROUND HEAD BRASS	6164890	599
SCREW, ROUND MACH SLOTTED	6177840	349
	6177860	77, 87, 293, 665
	6177880	83, 89
	6177920	19, 88
SCREW, ROUND SLOTTED	6163820	21
SCREW, SELFTAP	6205640	88
SCREW, SET	6202640	630
	9372103393	39
	9632220029	642
	9632220082	643
	9632220206	642
SCREW, SET SQUARE HEAD FULL DO	6201790	630

From - SCREW, HEX CAP

To - SCREW, SET SQUARE HEAD FULL

Manitowoc Cranes

Alphabetical Index	Appendix A	
Description	Part	Page
TAPE, BLACK	2980800	87
TAPERED ROLLER BRG	2245230	515
TEE	4280050	259, 375, 393, 407
TEE PIPE	6788690	171
TELEMATIC CONTROL UNIT (TCU)	80009833	321
TERMINAL	6805460	355, 889
	6805720	29
	6808240	309
	810259390	227
	810259400	227
	A164680	309
TERMINAL BOARD ASM (5 POLE)	9872220043	333
TERMINAL FEMALE #190-16-0005	6808660	341
TERMINAL MALE	6808690	341
TERMINAL, PIN CONTACT	6805450	355, 889
TERMINAL, RING	6805230	88
	6805730	23, 90
	6806340	88, 355
TERMINAL, SLIP ON	6806620	88, 356
TERMINAL, SLIP-ON	6806600	88
TERMINAL, SLIP-ON NON-INSUL W/	6807150	355
THERMOSTAT	9352220034	433
TIMBER	810171230	729, 777, 793, 809, 825, 841, 857
	810171790	605
TO BE DETERMINED	TBD	381, 657
TOOLS 10896-00073, STANDARD F	4999770	107
TOP 40 FT ASSEMBLY	A010243	673
TOP 40 FT, #82 BOOM	A010251	673
TOP 40 FT, #82 BOOM PER REV D	A010259	739
TRANSDUCER	6902700	243
TRANSDUCER PRESSURE	810184240	63, 260, 394, 408
TRAY	1957242	247
TREAD USE PIN DWG. 11978	0402468	495
TREAD PIN	0119782	495
TRIM	6926560	95, 321, 505, 515
	6926570	95
TROUGH	1958532	451

From - TAPE, BLACK

To - TROUGH

Manitowoc Cranes

Numerical Index		Appendix B
Part	Description	Page
1704191	UPPER BOOM POINT ASSEMBLY	861
1704193	SHEAVE FOR 1" WIRE ROPE	861
170419A	PIN FOR DEAD END ANCHOR LINK,	861
1704694	ROLLER	505
1706410	WASHER, FLAT SHIM	171
1706622	SHAFT	675, 683, 731
1706692	SPACER	681
1706772	SPACER	863
1707742	SHIM	557
1712501	SHEAVE ASSY	675, 683, 687, 731, 865
1715239	PIN KEEPER	589
1715852	SHIM	675, 697, 731
1715862	SHIM	675, 697, 731
1715872	NUT	675, 683, 731
1715992	PLATE	129
1716802	INSERT	583
1716812	PIN LOCKING	583
1718779	SHIM	135, 143, 151, 629
1720662	WINDOW	349
1720822	SPACER	675, 731
1721732	SLING LIFTING	549
1721869	ADAPTER	375
1722772	PIN	597
1728592	DECAL-CAUTION-REMOTE CAUTION-R	69
1730182	BRACKET	629
1735852	PLATE	159
1738342	PIN	565
1740184	INDICATOR WHEEL ASSEMBLY	629
1740192	BRACKET	630
1740592	BRACKET	630
1742082	FRAME	863
1748442	CLAMP	691, 695
1755414	ROLLER	863
1756122	BUSHING	599
1760262	PLATE	515
1760272	SLEEVE	515

From - 1704191

To - 1760272

CLICK HERE TO **DOWNLOAD** THE COMPLETE MANUAL

- Thank you very much for reading the preview of the manual.
- You can download the complete manual from: www.heydownloads.com by clicking the link below



- Please note: If there is no response to CLICKING the link, please download this PDF first and then click on it.

CLICK HERE TO **DOWNLOAD** THE COMPLETE MANUAL