

Manitowoc Cranes MACHINE COMPONENT INDEX

Date: Nov 19, 2015

Rev:

<u>Model Number</u> 999 LUFF JIB		<u>Serial Number</u> 9995092	
Item	Part	Description	Page
1		BOOM	
	80077721	#149 JIB ASSY GROUP	1
	81033676	#149 JIB TOP ASSY	3
	810166545	BLOCK-UP LIMIT CONTROL	5
	1964051	JIB POINT ASSEMBLY	7
	6462460	SOCKET/WEDGE, 1" (26 MM)	9
	1964641	LOAD SENSOR SHEAVE	11
	1964641	LOAD SENSOR SHEAVE	13
	1964651	LOAD SENSOR SHEAVE	15
	A009181	TOP 25 FT ASSEMBLY	19
	810088299	SIGN BOOM	21
	1964051	JIB POINT ASSEMBLY	23
	6462460	SOCKET/WEDGE, 1" (26 MM)	25
	1964641	LOAD SENSOR SHEAVE	27
	81033677	#149 JIB BUTT ASSY	29
	81033678	#149 UPPER POINT ASSEMBLY	31
	1742111	UPPER ROLLER ASSY.	35
	1712501	SHEAVE ASSY	39
	810062190	SHEAVE WIRE ROPE	41
	6462470	SOCKET/WEDGE, 1-1/8" (29 MM)	43
	1964651	LOAD SENSOR SHEAVE	45
	A062780	SOCKET BUTTON	47
	A145061	WIND SPEED ASSY	51
	A044140	SENSOR, WIND SPEED	53
	195549D	FOR #149 LUFFING JIB	65
	1957499	SWITCH ASSEMBLY BLOCK	79
	1770804	LEVER	81
	1956271	LOAD SENSOR INSTRUMENTED	83
	1957499	SWITCH ASSEMBLY BLOCK	85
	1770804	LEVER	87
	1956281	LOAD SENSOR INSTRUMENTED	89
1793531	LOAD SENSOR SHEAVE-FIXED JIB	91	
1957499	SWITCH ASSEMBLY BLOCK	93	

CLICK HERE TO **DOWNLOAD** THE COMPLETE MANUAL

- Thank you very much for reading the preview of the manual.
- You can download the complete manual from: www.heydownloads.com by clicking the link below



- Please note: If there is no response to CLICKING the link, please download this PDF first and then click on it.

CLICK HERE TO **DOWNLOAD** THE COMPLETE MANUAL

Manitowoc Cranes

Description

BLOCK-UP LIMIT CONTROL

Assembly No.

810166545

Revision: **J**

Item	FN	Part	Qty	Description
1		3046450	1	CAP SEALING
2		3046560	1	CAP SEALING
3		5725890	1	PLUG - SOCKET CONTACTS
4		5899680	1	RECEPTACLE - MALE
5		810070200	2	TUBING
6		810112190	2	WIRE
8		810134310	2	STRAP, CABLE TIE
9		A093400	2	CLAMP, COPPER BRAID BANDING
10		A097390	2	CONNECTOR ELECTRICAL
50		2976100	20	CABLE

Manitowoc Cranes

Description

LOAD SENSOR SHEAVE

Assembly No.

1964651

Revision: **FA**

Item	FN	Part	Qty	Description
1		1792429	1	SHEAVE
2		1792432	2	WASHER
3		1964632	1	BRACKET
4		1793052	1	PLATE KEEPER
5		2250680	1	BEARING
6		5636450	1	PFEP PIN LOAD 3PS
7		6203170	1	HSSS CUP
8		5963570	1	RETAINING RING INT
9		6124520	2	SCREW, HEX CAP
10		7103040	2	WASHER, LOCK
11		1740782	1	PIN 2 HOLE
12		1964612	2	PIN

Manitowoc Cranes

Description

SOCKET/WEDGE, 1" (26 MM)

Assembly No.

6462460

Revision: **C**

Item	FN	Part	Qty	Description
1		9826220012	1	SOCKET (1")
2		9826220013	1	PIN, SOCKET (1")
3		9826220014	1	WEDGE (1")
4		7312800000	1	CLAMP
5		9826220016	1	PIN, COTTER
6		9914100033	1	PIN W/COTTER INCLUDES ITEM 2 AND 5

Manitowoc Cranes

Description
UPPER ROLLER ASSY.

Assembly No.
1742111
Revision: A

Item	FN	Part	Qty	Description
1		0743369	4	PIN 2 HOLE
2		1698102	2	PLATE KEEPER
3		1698372	1	SPACER
4		1706772	1	SPACER
5		1712501	1	SHEAVE ASSY
6		1721042	2	BUSHING
7		1742082	1	FRAME
8		1742132	1	SHAFT
9		1755414	1	ROLLER
10		2251050	2	BEARING LOCKNUT
11		2251110	1	BEARING LOCK WASHER
12		2897960	2	BUSHING
13		5483460	1	HEX LOCK NUT PA
14		5638230	2	PIN SAFETY
15		6021614	2	ROLLER
16		6127430	1	SCREW, HEX CAP
17		810062190	1	SHEAVE WIRE ROPE
18		A016702	1	PLATE KEEPER
19		A016712	1	SLEEVE
20		A016722	2	PLATE KEEPER
21		A079362	1	GUARD WIRE ROPE
22	+	81035197A	1	ESI
300		1630642	2	PIN
301		5621500	1	PIN COTTER
302		5621740	2	PIN COTTER
303		5638740	1	PIN 1 HOLE W/HD
304		6462470	1	SOCKET/WEDGE, 1-1/8" (29 MM)
305		A073022	1	LINK
306		A083322	1	LINK
400		1363022	1	PIN 2 HOLE
401		1678132	2	PIN 2 HOLE
402		5621710	2	PIN COTTER
403		5621740	4	PIN COTTER
404		A072982	1	LINK

+ SEE FURTHER BREAKDOWN THIS GROUP

Manitowoc Cranes

Description

LOAD SENSOR SHEAVE

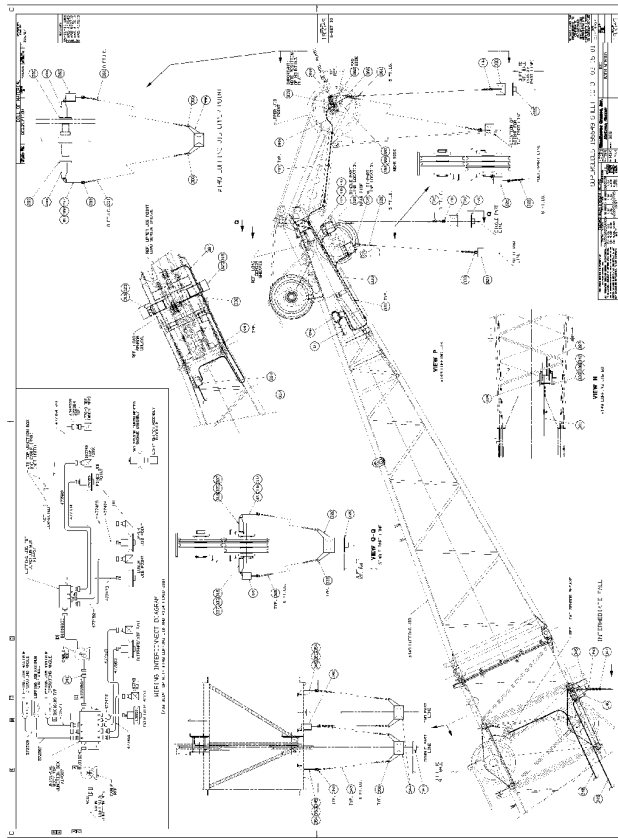
Assembly No.

1964651

Revision: **FA**

Item	FN	Part	Qty	Description
1		1792429	1	SHEAVE
2		1792432	2	WASHER
3		1964632	1	BRACKET
4		1793052	1	PLATE KEEPER
5		2250680	1	BEARING
6		5636450	1	PFEP PIN LOAD 3PS
7		6203170	1	HSSS CUP
8		5963570	1	RETAINING RING INT
9		6124520	2	SCREW, HEX CAP
10		7103040	2	WASHER, LOCK
11		1740782	1	PIN 2 HOLE
12		1964612	2	PIN

Manitowoc Cranes



Manitowoc Cranes

Description

FOR #149 LUFFING JIB

Assembly No.

195549D

Revision: **FB**

Item	FN	Part	Qty	Description
3		810165450	1	CABLE ELEC
5		5460540	4	NUT, HEX
6		5911170	1	REEL
8		6124560	4	SCREW, HEX CAP
9		6670420	36	STRAP-STAY
11		7103040	4	WASHER, LOCK
15		1424032	1	WEIGHT
16		1957499	1	SWITCH ASSEMBLY BLOCK
18	+	1956271	1	LOAD SENSOR INSTRUMENTED
19		1959792	2	PIN 2 HOLE
21		A145077	1	BOX JUNCTION ASSY
22		3341010	6	CHAIN
23		3490360	7	CLIP, CORD
24		3490390	5	CLIP
26		4774910	1	HARNESS EXTENSION
27		4774730	1	HARNESS
29		6246330	1	SHACKLE
30		0936572	1	BLOCK
31		1622732	1	WEIGHT
32		1680912	1	LUG
33		1701202	2	BRACKET
34		1957499	1	SWITCH ASSEMBLY BLOCK
35	+	1956281	1	LOAD SENSOR INSTRUMENTED
37		3341010	16	CHAIN
38		3490360	3	CLIP, CORD
39		3490390	7	CLIP
41		4774930	1	HARNESS EXTENSION
42		4774740	1	HARNESS EXT
44		6246330	3	SHACKLE
46		0936572	1	BLOCK
48		1424032	1	WEIGHT
49		1622732	1	WEIGHT
50		1680912	1	LUG
53		1793522	1	PIN

+ SEE FURTHER BREAKDOWN THIS GROUP

Manitowoc Cranes

Description

FOR #149 LUFFING JIB

Assembly No.

195549D

Revision: **FB**

Item	FN	Part	Qty	Description
355		0936572	1	BLOCK
356		1622732	1	WEIGHT
357		1680912	1	LUG
358		1701202	2	BRACKET
359		1747132	2	PLATE
360		1957499	1	SWITCH ASSEMBLY BLOCK
361		3341010	16	CHAIN
362		3490360	6	CLIP, CORD
363		3490390	6	CLIP
364		4774740	1	HARNESSEXT
365		4774930	1	HARNESSEXTENSION
366		6246330	3	SHACKLE
368		5460540	3	NUT, HEX
369		6124540	3	SCREW, HEX CAP
370		1423712	1	BRACKET, MOUNTING
371		1424032	1	WEIGHT
372		3341010	6	CHAIN
373		3490390	6	CLIP
374		5724000	1	PLUG MALE/FEMALE
375		6246330	1	SHACKLE
376		A165531	1	SWITCH ASSY
377		3490360	12	CLIP, CORD
378		A165791	1	LOAD SENSING ASSY
379		4774360	1	HARNESSEXTENSION
382		0936572	1	BLOCK
383		4774930	1	HARNESSEXTENSION
384		1622732	2	WEIGHT
385		1680912	2	LUG
386		1701202	2	BRACKET
387		1952872	1	BLOCK
388		1957499	2	SWITCH ASSEMBLY BLOCK
389		3341010	32	CHAIN
390		3490360	16	CLIP, CORD
391		3490390	17	CLIP

Manitowoc Cranes

Description

SWITCH ASSEMBLY BLOCK

Assembly No.

1957499

Revision: **C**

Item	FN	Part	Qty	Description
1		0012042	1	SPRING
2		810152440	1	BOLT, EYE
3		1622712	1	COVER
4		1770762	1	BRACKET
5	+	1770804	1	LEVER
6		810138430	1	CAP, SEAL MINI-FAST/CHANGE REC
7		2528810	1	SCREW, SOCKET SET
8		3636570	1	ELBOW, CONDUIT
9		5896540	1	RECEPTACLE, MALE
10		5386660	1	NAMEPLATE (195749)
11		5434440	1	PIPE, NIPPLE
12		6246330	1	SHACKLE
13		810161270	1	SWITCH, LIMIT
14		7091510	2	WASHER, COPPER
15		6668560	1	STRAP, CABLE TIE, NYLON
16		5467630	2	NUT, HEX JAM
17		810161360	1	SWITCH, LEVER ARM FIXED

+ SEE FURTHER BREAKDOWN THIS GROUP

Manitowoc Cranes

Description

LEVER,

Assembly No.

1770804

Revision: **B**

Item	FN	Part	Qty	Description
1		177079001	1	BAR RD 1 PC 1 DRWG 177079,
2		177079002	1	BURN KIT 1 PC 2 DWG 177079,
3		177079003	1	SUB COMP 1 PC 3 DWG 177079,
5		5467630	1	HEX JAM NUT, 3/8-16UNC GR 5
6		6124540	1	HHCS, 3/8-16UNC X 1.00 GR 5
901		0700912	1	BUSHING, BRONZE PER OUR DRWG.

Manitowoc Cranes

Description

SWITCH ASSEMBLY BLOCK

Assembly No.

1957499

Revision: **C**

Item	FN	Part	Qty	Description
1		0012042	1	SPRING
2		810152440	1	BOLT, EYE
3		1622712	1	COVER
4		1770762	1	BRACKET
5	+	1770804	1	LEVER
6		810138430	1	CAP, SEAL MINI-FAST/CHANGE REC
7		2528810	1	SCREW, SOCKET SET
8		3636570	1	ELBOW, CONDUIT
9		5896540	1	RECEPTACLE, MALE
10		5386660	1	NAMEPLATE (195749)
11		5434440	1	PIPE, NIPPLE
12		6246330	1	SHACKLE
13		810161270	1	SWITCH, LIMIT
14		7091510	2	WASHER, COPPER
15		6668560	1	STRAP, CABLE TIE, NYLON
16		5467630	2	NUT, HEX JAM
17		810161360	1	SWITCH, LEVER ARM FIXED

+ SEE FURTHER BREAKDOWN THIS GROUP

Manitowoc Cranes

Description

LOAD SENSOR SHEAVE-FIXED JIB

Assembly No.

1793531

Revision: **FB**

Item	FN	Part	Qty	Description
1		1740782	2	PIN 2 HOLE
2		1792429	2	SHEAVE
3		1792432	4	WASHER
4		1793452	1	FRAME LOAD INDICATOR SENSOR
5		1793052	2	PLATE KEEPER
6		1793462	1	PIN
7		2250680	2	BEARING
8		5636450	1	PFEP PIN LOAD 3PS
9		6203170	1	HSSS CUP
10		5963570	2	RETAINING RING INT
11		6124520	4	SCREW, HEX CAP
12		7103040	4	WASHER, LOCK

Manitowoc Cranes

Description

LOAD SENSING ASSY, #22C BOOM

Assembly No.

A166141

Revision: **B**

Item	FN	Part	Qty	Description
3		5621500	2	PIN COTTER, 3/8 DIA X 3.00 LG
4		5621520	6	PIN COTTER, 3/8 DIA X 4.00 LG
5		A165232	1	PIN 2 HOLE, 2.00 DIA X 27.22
6		A165242	1	PIN 2 HOLE, 3.00 DIA X 27.22
7		A165742	2	PIN 2 HOLE, 3.25 DIA X 2.59 L
10		A166172	1	SUPPORT MACHINING, LMI ASSEMB

Manitowoc Cranes

Description

LEVER,

Assembly No.

1770804

Revision: **B**

Item	FN	Part	Qty	Description
1		177079001	1	BAR RD 1 PC 1 DRWG 177079,
2		177079002	1	BURN KIT 1 PC 2 DWG 177079,
3		177079003	1	SUB COMP 1 PC 3 DWG 177079,
5		5467630	1	HEX JAM NUT, 3/8-16UNC GR 5
6		6124540	1	HHCS, 3/8-16UNC X 1.00 GR 5
901		0700912	1	BUSHING, BRONZE PER OUR DRWG.

Manitowoc Cranes

Description

LEVER,

Assembly No.

1770784

Revision: **FB**

Item	FN	Part	Qty	Description
1		177077001	1	BAR RD 1 PC 1 DRWG 177077,
2		177077002	1	BURN KIT 1 PC 2 DWG 177077,
3		177077003	1	BURN KIT 1 PC 3 DWG 177077,
901		0700912	1	BUSHING, BRONZE PER OUR DRWG.

Manitowoc Cranes

Description

LEVER,

Assembly No.

1770804

Revision: **B**

Item	FN	Part	Qty	Description
1		177079001	1	BAR RD 1 PC 1 DRWG 177079,
2		177079002	1	BURN KIT 1 PC 2 DWG 177079,
3		177079003	1	SUB COMP 1 PC 3 DWG 177079,
5		5467630	1	HEX JAM NUT, 3/8-16UNC GR 5
6		6124540	1	HHCS, 3/8-16UNC X 1.00 GR 5
901		0700912	1	BUSHING, BRONZE PER OUR DRWG.

Manitowoc Cranes

Description

SHEAVE TIMCO #X-63108

Assembly No.

1966881

Revision: **FA**

Item	FN	Part	Qty	Description
1		6311030	1	SHEAVE (27" DIA. - 1" ROPE)
2		5963370	2	RETAINING RING EXT
3		2250650	1	BEARING ROLLER

Manitowoc Cranes

Description

WIRE ROPE GUARD ASSEMBLY

Assembly No.

1971391

Revision: **FA**

Item	FN	Part	Qty	Description
1		1971382	1	GUARD
2		1971402	1	ROLLER-NYCAST NYLOIL
3		1971412	1	SHAFT
4		6123630	1	HHCS
5		5483410	1	HEX LOCK NUT, 1/4 -20UNC GR C

CLICK HERE TO **DOWNLOAD** THE COMPLETE MANUAL

- Thank you very much for reading the preview of the manual.
- You can download the complete manual from: www.heydownloads.com by clicking the link below



- Please note: If there is no response to CLICKING the link, please download this PDF first and then click on it.

CLICK HERE TO **DOWNLOAD** THE COMPLETE MANUAL

Manitowoc Cranes

Description

JIB LUFFING ASSEMBLY

Assembly No.

A010312

Revision: **FA**

Item	FN	Part	Qty	Description
1		5638740	1	PIN 1 HOLE W/HD
2		1961352	1	ADAPTER
3	+	A009621	1	STRUT ASSEMBLY
4	+	1963501	1	JIB STOP ASSEMBLY
5	+	1963541	1	JIB STRUT ASSEMBLY
6	+	1970871	1	ROPE GUIDE FOR #82 BOOM
7		1776332	2	CLAMP
8		1776364	1	SHEAVE 24 DIA F/1.12
9		1776402	1	ROLLER
10		5621500	1	PIN COTTER
11		6126890	2	HHCS
12		7103070	2	WASHER, LOCK
13	+	1742111	1	UPPER ROLLER ASSY.
14	+	6462460	1	SOCKET/WEDGE, 1" (26 MM)
15		5460580	4	HEX NUT
16		1706902	4	PIN
17		2774280	2	PENDANT EACH
18		2773830	2	PENDANT EACH
19		A011682	2	LINK
20		A011692	4	PIN COTTER 2 HOLE
21		1775532	2	LINK
22		1775702	2	LINK
23	+	A009181	1	TOP 25 FT ASSEMBLY
24	+	1954911	1	STRAPS AND LINKS FOR #149 JIB
25	+	A007821	10	INSERT 10 FT ASSEMBLY
26	+	A007841	20	STRAPS AND LINKS
27	+	A007861	40	INSERT 40 FT ASSEMBLY
28	+	A007881	40	INSERT 40 FT ASSEMBLY
29		2773820	2	PENDANT EACH
30		2773830	2	PENDANT EACH
31		2773840	2	PENDANT EACH
32	+	A007901	1	INSERT 20 FT ASSEMBLY
33		1964892	2	PIN
34		1964902	2	COLLAR

+ SEE FURTHER BREAKDOWN THIS GROUP

Manitowoc Cranes

Description

JIB STRUT ASSEMBLY

Assembly No.

1963541

Revision: **FA**

Item	FN	Part	Qty	Description
1		1966881	2	SHEAVE TIMCO #X-63108
2		1748442	3	CLAMP
3		1960419	4	SHEAVE ASSY
4		1964252	1	SHAFT
5		0152752	1	PLATE KEEPER
6		2251440	1	BEARING LOCKWASHER
7		2251450	2	BEARING LOCKNUT
8		1964272	1	SPACER TUBE
9		1725012	2	SPACER
10		1964262	1	SPACER
11		1963552	1	STRUT
12		1964422	1	GUARD
13		1964464	2	STRAP
14		1964282	4	SLEEVE
15		1725052	6	F WASHER SHIM
16		1964522	2	PIN
17		1964344	1	LINK
18	+	6462460	1	SOCKET/WEDGE, 1" (26 MM)
19		1964292	2	SLEEVE
20		1964302	1	CLAMP
21		5460580	8	HEX NUT
22		6126910	4	HHCS
23		7103070	4	WASHER, LOCK
24		1964312	2	SHAFT
25		5636990	2	HITCH PIN
26		1964322	1	GUARD
27		1964332	1	GUARD
28		5638030	2	PIN WIRE LOCK
29		1964452	1	SPACER
30		1964222	4	LINK
31		1964162	4	PIN
32		1798622	4	COLLAR
33		1799592	4	PIN 2 HOLE
34		1964562	4	PIN

+ SEE FURTHER BREAKDOWN THIS GROUP

Manitowoc Cranes

Description

ROPE GUIDE FOR #82 BOOM

Assembly No.

1970871

Revision: **FA**

Item	FN	Part	Qty	Description
1		1970712	1	GUIDE
2		1970722	1	SHAFT
3		6021820	2	ROLLER
4		1970742	1	PIN

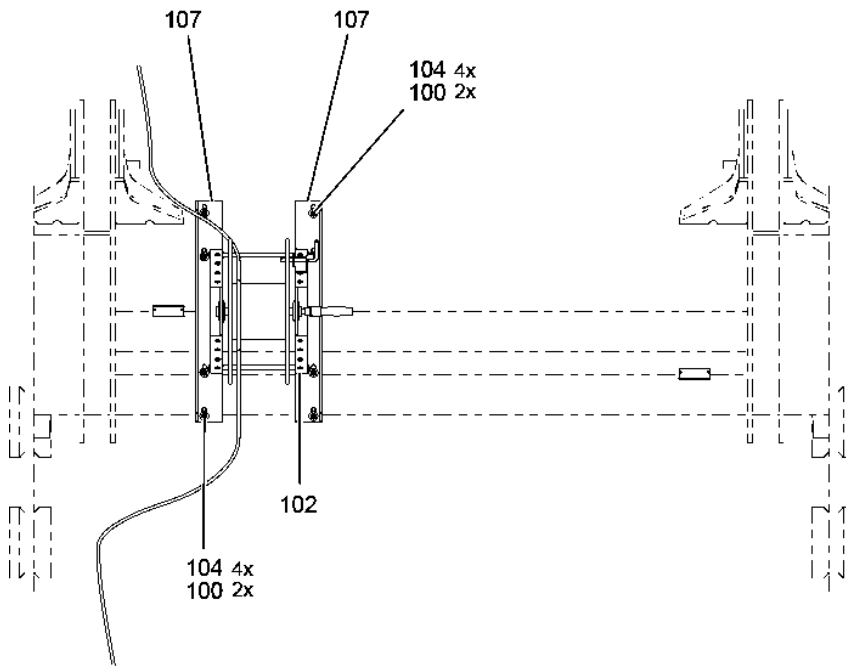
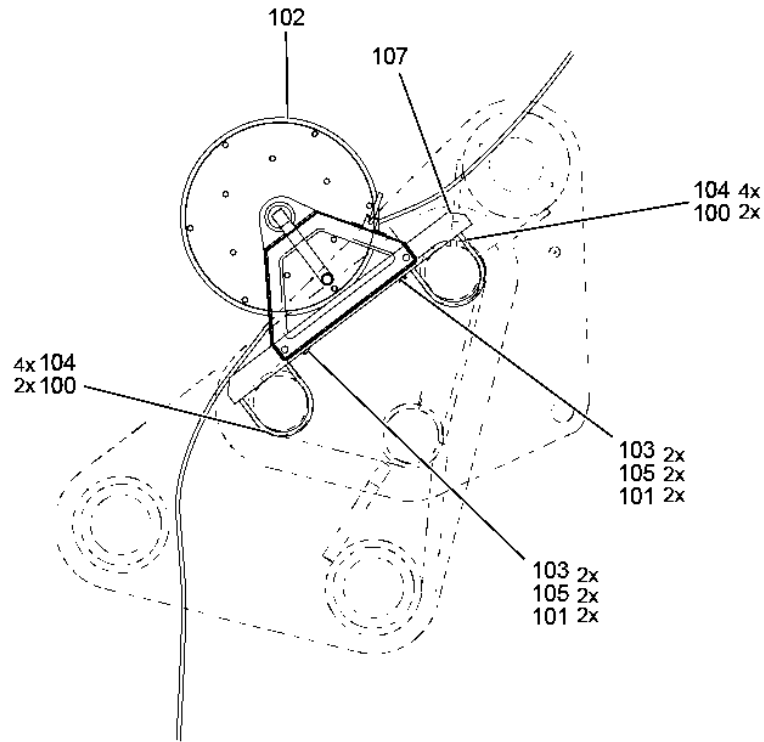
Manitowoc Cranes

Description
SHEAVE ASSY

Assembly No.
1712501
Revision: **F**

Item	FN	Part	Qty	Description
1		2250190	1	BEARING
2		6227720	2	OIL SEAL
3		1703542	1	SHEAVE, 30 IN DIA

Manitowoc Cranes



Manitowoc Cranes

Description
TOP 25 FT ASSEMBLY

Assembly No.
A009181
 Revision: **FB**

Item	FN	Part	Qty	Description
1		1798622	6	COLLAR
2		1964162	6	PIN
3		1799592	6	PIN 2 HOLE
4		1964242	2	STRAP
5		1964212	4	LINK
6		0782922	2	PIN
7		1954889	2	PIN
8		0769982	2	PIN, PLATED
9		1963922	2	PIN
10		A009175	1	TOP 25 FT
12	+	810088299	2	SIGN BOOM
17		7121171301	32	SLOT PMS
18		7661170004	32	NUT, HEX - 8MM
19		7951170210	32	WASHER, LOCK 8MM
22	+	1964051	1	JIB POINT ASSEMBLY
23		A201061	1	JIB POINT ASSY

+ SEE FURTHER BREAKDOWN THIS GROUP

Manitowoc Cranes

Description

STRAPS AND LINKS FOR #149 JIB

Assembly No.

1954911

Revision: **FA**

Item	FN	Part	Qty	Description
1		1798622	2	COLLAR
2		1964162	2	PIN
3		1799592	2	PIN 2 HOLE
4		1964152	2	STRAP
5		1964132	4	LINK
6		1774792	2	PIN
7		1964692	2	PIN
8		1964702	4	PIN
10		0782922	2	PIN
11		1964712	2	BRACKET
12		1698102	2	PLATE KEEPER
13		2210090	2	PLATE 1 PC 1 DRWG 221009,
14		1954899	2	PIN
15		1954905	1	#195490 25 FT #149 LUFFING
17		A000382	16	SHIM
18		7095700	4	F WASHER
19		5638230	8	PIN SAFETY
20		5621090	4	PIN COTTER
21		5620850	4	PIN COTTER
22		5620450	4	PIN COTTER

Manitowoc Cranes

Description

MAST RIGGING ASSEMBLY

Assembly No.

1958691

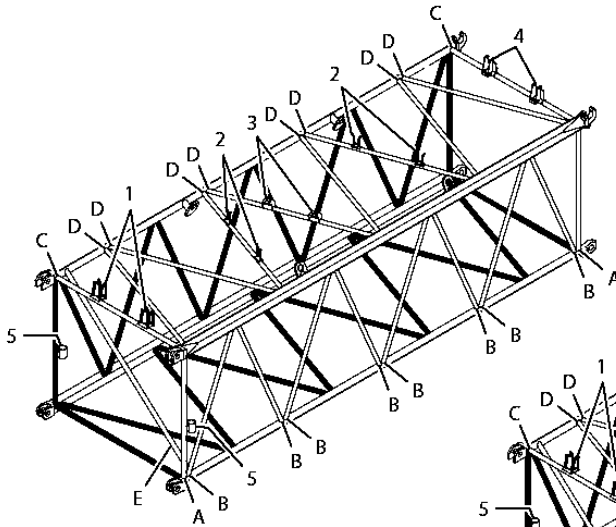
Revision: **FA**

Item	FN	Part	Qty	Description
1	+	2365030	1	BLOCK, HOOK
3	+	6462460	1	SOCKET/WEDGE, 1" (26 MM)
5		7192760	200	WIRE ROPE 1-0 6X26

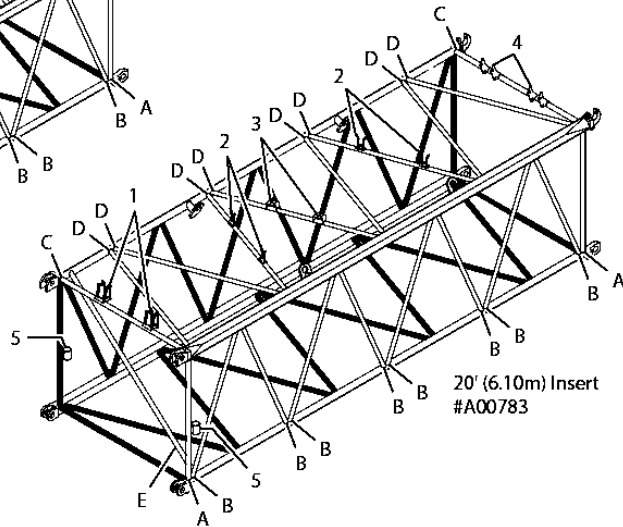
+ SEE FURTHER BREAKDOWN THIS GROUP

Manitowoc Cranes

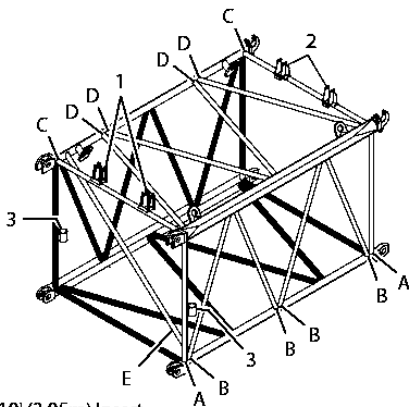
MANITOWOC CRANES, INC.



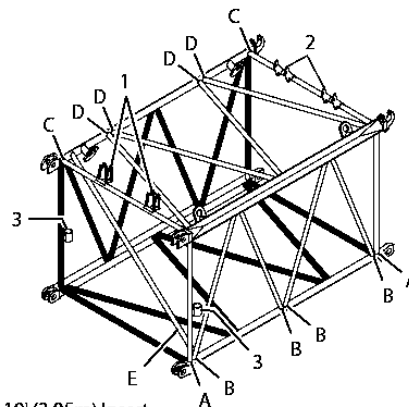
20' (6.10m) Insert
#195494



20' (6.10m) Insert
#A00783



10' (3.05m) Insert
#195492



10' (3.05m) Insert
#A00781

TO ORDER LACINGS SEE FOLIO #823

ASSEMBLY	REVISION
O-570	H

3 of 6

Manitowoc Cranes

Description
INSERT 20 FT, #149

Assembly No.
A007832
Revision: A

Item	FN	Part	Qty	Description
1		A003712	2	BRACKET
2		1964092	2	BRACKET
3		A003702	2	BRACKET
4		A003722	2	BRACKET
5		1954782	2	BRACKET

Manitowoc Cranes

Description

INSERT ASSY, #149 40 FT W/O B

Assembly No.

A007862

Revision: **D**

Item	FN	Part	Qty	Description
1		0769982	2	PIN, PLATED, 2 1/2 X 8 3/4
2		1798622	4	COLLAR, 3.00 DIA X 1 LG
3		1799592	4	PIN 2 HOLE, 0.500 DIA X 3.28
4		1954889	2	PIN, 2.00 X 7.75 PLATED
5		1954899	2	PIN, .75 X 7.00 PLATED
6		1964122	2	STRAP, 39.5 FT JIB SUPPORT
7		1964132	4	LINK, JIB SUPPORT
8		1964162	4	PIN, 2.125 X 3.50 PLATED
9		810176212	2	TIMBER, 25.50 LG X 3.50 W
10		1964562	2	PIN,
11		1964722	2	PIN,
12		5620850	8	PIN COTTER, 3/16 DIA X 1.50 L
14		5483440	4	HEX LOCK NUT PA, 1/2 -13UNC G
15		2571400	4	HHCS, 1/2-13UNC X 5.00 GR 5
16		7097020	8	F WASHER, 1/2 ST SAE
901		5621050	4	PIN COTTER, 1/4 DIA X 1.50 LG
902		5638220	4	PIN HITCH, 0.375 DIA X 3.00 L

Manitowoc Cranes

Description

#149 40FT INSERT|W/O BACKSTAY

Assembly No.

81033683

Revision: **A**

Item	FN	Part	Qty	Description
1	+	A007852	1	INSERT 40 FT, #149 W/O BACKST
2		A007862	1	INSERT ASSY

+ SEE FURTHER BREAKDOWN THIS GROUP

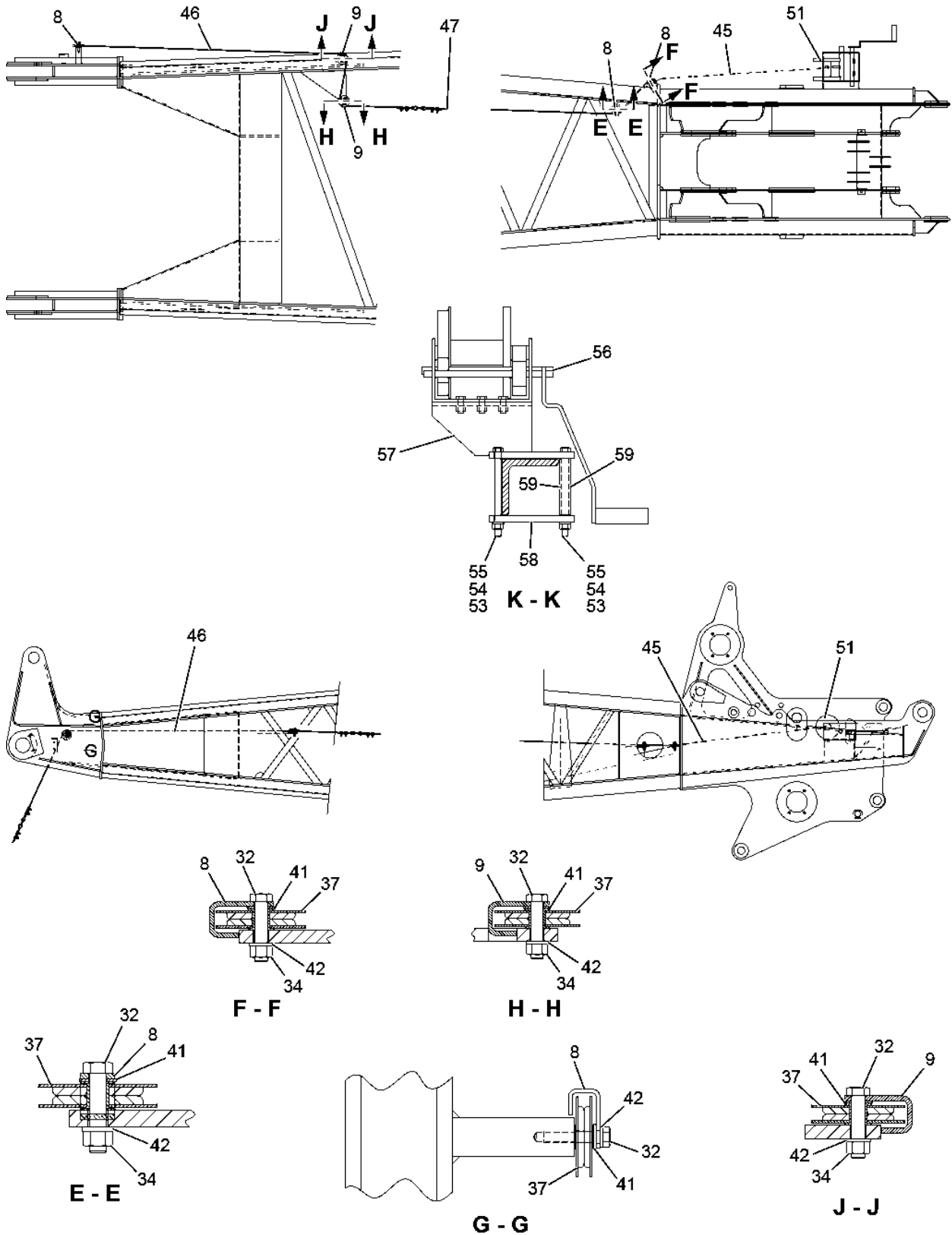
Manitowoc Cranes

Description
INSERT ASSY

Assembly No.
A007882
 Revision: **D**

Item	FN	Part	Qty	Description
1		0769982	2	PIN, PLATED
2		1798622	4	COLLAR
3		1799592	4	PIN 2 HOLE
4		1954889	2	PIN
5		1954899	2	PIN
6		1964122	2	STRAP
7		1964132	4	LINK
8		1964162	4	PIN
9		810176212	2	TIMBER
10		1964562	2	PIN
11		1964722	2	PIN
12		5620850	8	PIN COTTER
13		A007875	1	#A00787 40 FT #149 LUFFING
14		5483440	4	HEX LOCK NUT PA
15		2571400	4	HHCS
16		7097020	8	WASHER, FLAT SHIM

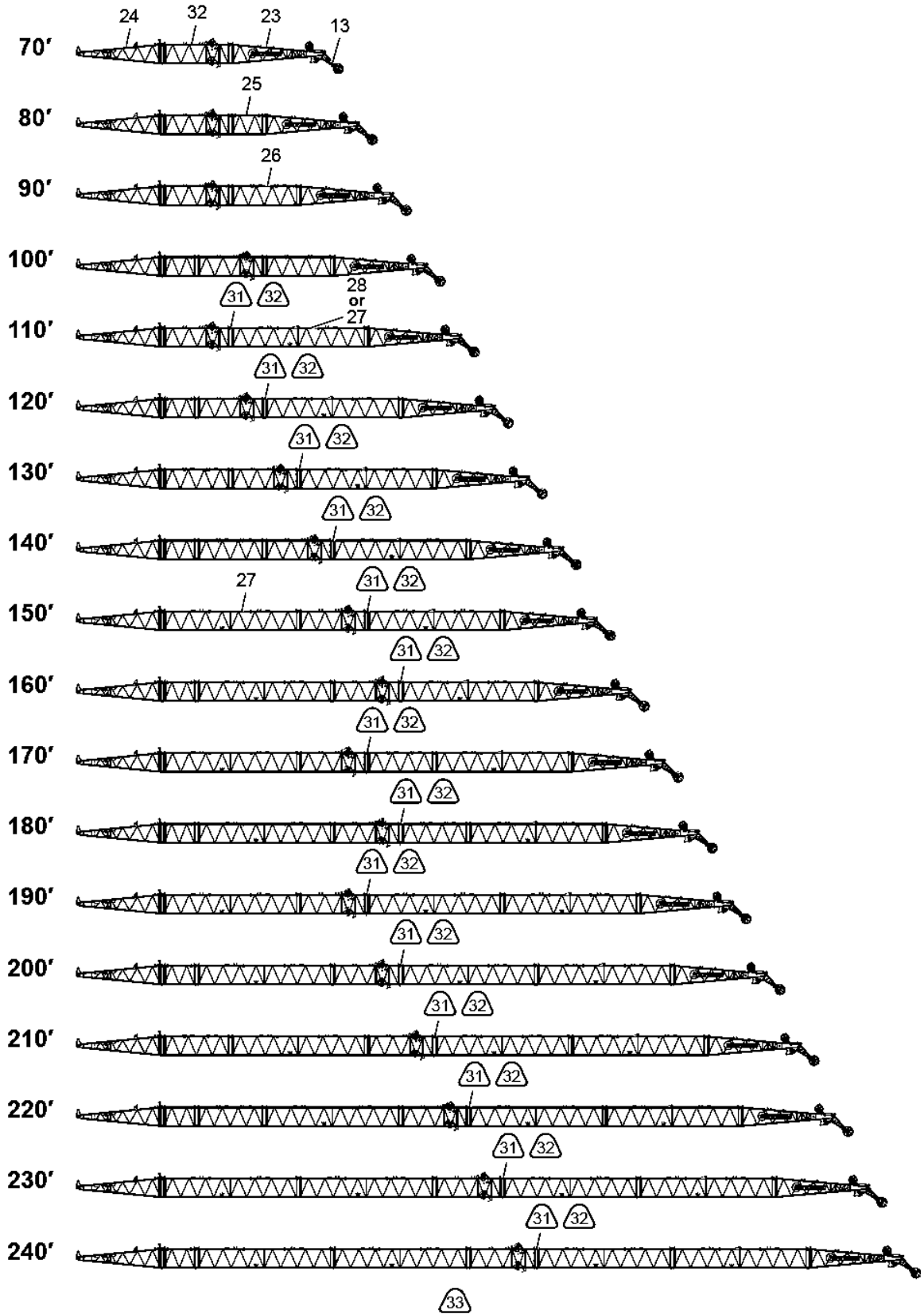
Manitowoc Cranes



1963501

(SHEET 2 OF 2)

Manitowoc Cranes



Manitowoc Cranes

Description

DECAL, FOR BOOM DISASSEMBLY--

Assembly No.

1759161

Revision: **FA**

Item	FN	Part	Qty	Description
1		1478529	2	DECAL-BM HAZARD, BM HAZARD CR

Manitowoc Cranes

Description

ENGLISH LANGUAGE DECALS, #149

Assembly No.

196120EN49

Revision: **FA**

Item	FN	Part	Qty	Description
26		810005260	1	DECAL
74		810182050	1	DECAL
901		A090250	1	DECAL, BOOM WIRING LIMITS - 1

Manitowoc Cranes

Alphabetical Index	Appendix A	
Description	Part	Page
PENDANT EACH	2774280	185, 329
	2774380	191, 317
	2775130	191, 317
	2775160	186
PENDANT EACH, 1.50 DIA X 9FT-	A011540	177, 187
PENDANT EACH, 2 FT - 6.00 CR	2775170	251
PENDANT, 13 FT - 8.5 CRA0242	2775180	251
PENDANT, 18 FT 4.00 IN .250	2775140	177, 187
PFEP LOAD CELL	A153450	36, 212
PFEP PIN LOAD 3PS	5636450	11, 13, 15, 27, 45, 83, 89, 91, 99, 115, 141, 143, 221, 243
PFEP PIN LOAD 3PS,	5636450	252
PIN	0730459	173
	0750522	36, 212
	0782922	19, 235, 245, 309
	1396769	191, 317
	1630642	35, 211
	1706902	185
	1730162	191, 317
	1761152	7, 23, 239
	1773672	191, 317
	1774792	245, 309
	1793462	83, 91, 99, 115, 143
	1793522	65, 70, 72
	1948632	36, 212
	1954889	19, 235, 247, 249, 269, 305
	1954899	245, 247, 249, 269, 305, 309
	1962962	186
	1962972	186
	1963922	19, 235
	1964162	19, 161, 195, 235, 245, 247, 249, 269, 305, 309
	1964522	161, 195
	1964562	161, 195, 247, 249, 269, 305
	1964592	7, 23, 239
	1964612	11, 13, 15, 27, 45, 221, 243
	1964692	245, 309
	1964702	245, 309
	1964722	247, 249, 269, 305
	1964892	185
	1970672	186
	1970682	186
	1970742	205, 321

From - PENDANT EACH

To - PIN

Manitowoc Cranes

Numerical Index		Appendix B
Part	Description	Page
0012042	SPRING	66, 68, 69, 73, 79, 85, 93, 101, 105, 117, 121, 127, 133, 137, 149, 153, 157
0152752	PLATE KEEPER	161, 177, 187, 195
0700912	BUSHING, BRONZE PER OUR DRWG.	81, 87, 95, 97, 103, 107, 109, 111, 113, 119, 123, 129, 135, 139, 145, 151, 155, 159
0702362	BOLT-U-	51, 227
0730459	PIN	173
0743369	PIN 2 HOLE	35, 211
0750522	PIN	36, 212
0760002	BOLT	71
0761832	U-BOLT	70, 73
0769982	PIN, PLATED	19, 235, 247, 249, 251, 269, 277, 285, 293, 301, 305
0782922	PIN	19, 235, 245, 309
0936572	BLOCK	65, 67, 68, 70, 71, 72, 73, 74, 75
1363022	PIN 2 HOLE	35, 211
1391062	PIN, 2 X 6	178, 188
1392962	SPRING	191, 317
1396769	PIN	191, 317
1417072	PIN 2 HOLES	191, 317
1423712	BRACKET, MOUNTING	71, 72, 75
1424032	WEIGHT	65, 66, 67, 68, 69, 70, 71, 73, 75
1451702	WEIGHT	71
1451712	BLOCK	67, 71
1478529	DECAL-BM HAZARD, BM HAZARD CR	335, 339
1614032	SHIM	147, 311
1614164	COUNTERWEIGHT FOR WIND SPEED	51, 227
1614172	PIN 2 HOLE	51, 227
1622712	COVER	66, 68, 69, 73, 79, 85, 93, 101, 105, 117, 121, 127, 133, 137, 149, 153, 157
1622732	WEIGHT	36, 65, 67, 68, 70, 71, 72, 73, 74, 75, 212

From - 0012042

To - 1622732

Manitowoc Cranes

Numerical Index		Appendix B
Part	Description	Page
5483410	HEX LOCK NUT, 1/4 -20UNC GR C	175
5483440	HEX LOCK NUT PA	191, 249, 277, 285, 293, 301, 305, 317
5483460	HEX LOCK NUT PA	35, 177, 187, 211
5541650	PAD, WEAR 1/2X1-1/2X3 PER DRW	178, 188
5620420	PIN COTTER	191, 317
5620450	PIN COTTER	245, 309
5620850	PIN COTTER	245, 247, 249, 269, 277, 285, 293, 301, 305, 309
5621050	PIN COTTER	51, 227, 277, 285, 293, 301
5621090	PIN COTTER	245, 309
5621500	PIN COTTER	35, 36, 125, 178, 185, 188, 211, 212
5621510	PIN, COTTER	36, 131, 212
5621520	PIN COTTER, 3/8 DIA X 4.00 LG	125
5621710	PIN COTTER	35, 211
5621740	PIN COTTER	35, 36, 211, 212
5636450	PFEP PIN LOAD 3PS	11, 13, 15, 27, 45, 83, 89, 91, 99, 115, 141, 143, 221, 243, 252
5636990	HITCH PIN	161, 195
5637970	QUICK RELEASE PIN	191, 317
5638030	PIN WIRE LOCK	161, 173, 177, 187, 195
5638220	PIN HITCH, 0.375 DIA X 3.00 L	277, 285, 293, 301
5638230	PIN SAFETY	35, 83, 89, 99, 141, 173, 178, 188, 191, 211, 245, 252, 309, 317
5638580	PIN 1 HOLE W/HD	191, 317
5638740	PIN 1 HOLE W/HD	35, 36, 185, 211, 212
5639120	PIN, QUICK RELEASE	173
5644220	FITTING, GREASE	167, 201
5723840	PLUG	73
5724000	PLUG MALE/FEMALE	73, 75
5725090	PLUG FEMALE, 16/2 15 FT #102S	147, 311
5725730	PLUG, MALE SHLD 16/2 X 12' BH	147, 311
5725870	PLUG, FEM 3 POLE 12' LG SHIEL	147, 311

From - 5483410

To - 5725870

CLICK HERE TO **DOWNLOAD** THE COMPLETE MANUAL

- Thank you very much for reading the preview of the manual.
- You can download the complete manual from: www.heydownloads.com by clicking the link below



- Please note: If there is no response to CLICKING the link, please download this PDF first and then click on it.

CLICK HERE TO **DOWNLOAD** THE COMPLETE MANUAL