



# TRADITIONAL CRANE PARTS MANUAL

This manual has been prepared for and is considered part of

**4100W S3 Ringer**

Model

**10184**

Serial Number

**GROUP A = Rotating Structure** (Includes rotating bed, operator's cab, cases, fuel tanks, transfer pump, counterweights, guards, platforms, catwalks, machinery enclosure, horn)

**GROUP B = Upperworks Machinery** (Includes front, rear, and auxiliary drums, boom hoist, swing and drive shafts, hand levers, foot pedals, control linkage, rotation indicators, upperworks hydraulic components, hydraulic piping, hydraulic oil reservoir, lubrication pump and piping, blowers)

**GROUP C = Air Components & Electrical** (Includes control console, air piping, electric wiring, auxiliary light plant and lighting, TV monitoring, compressor and air tank)

**GROUP D = Power Components - Upperworks** (Includes engine or motor, radiator, auxiliary power plant, take off converters and piping, controls, VICON power lowering, torque limiter, hydraulic pumps and piping, fuel piping, battery box)

**GROUP E = Lower Structure & Control** (Includes carbody, crawlers, travel shafts and control, steering travel locks, hydraulic travel, travel power outriggers, carrier, pedestal, lowerworks hydraulic piping, RINGER components, barge mounting and machinery, spud drums)

**GROUP F = Attachments** (Includes booms, jibs, masts, tower, wire rope guides, equalizer, gantry, fairlead, timber guards, boom angle indicator, block-up limit, tag line, hook block, weight ball, upper and lower boom point, wind speed indicator, crowd and retract dipper sticks, dippers, )

**O-NUMBER SECTION =** (Includes lacing drawings and purchased component parts drawings referenced in sections A through F)

*This manual is arranged in sections as listed above. Sections A through F are arranged by group numerical order with an index after each section tab. An alphabetical index for groups A Through F combined is located after the O-number Section. The O-number section is arranged in numerical order by O-number. Following this cover page are the Basic Specifications, Warranty Information, Tool List (if applicable) Outline Dimensions, Weights, and Dealer Listing.*

**MANITOWOC CRANES, INC.**

2401 South 30th Street • PO Box 70

Manitowoc, WI 54221-0070

Phone: 920-684-6621 • Fax: 920-683-6278

CLICK HERE TO **DOWNLOAD** THE COMPLETE MANUAL

- Thank you very much for reading the preview of the manual.
- You can download the complete manual from: [www.heydownloads.com](http://www.heydownloads.com) by clicking the link below



- Please note: If there is no response to CLICKING the link, please download this PDF first and then click on it.

CLICK HERE TO **DOWNLOAD** THE COMPLETE MANUAL



GROUP C - Air Components & Electrical

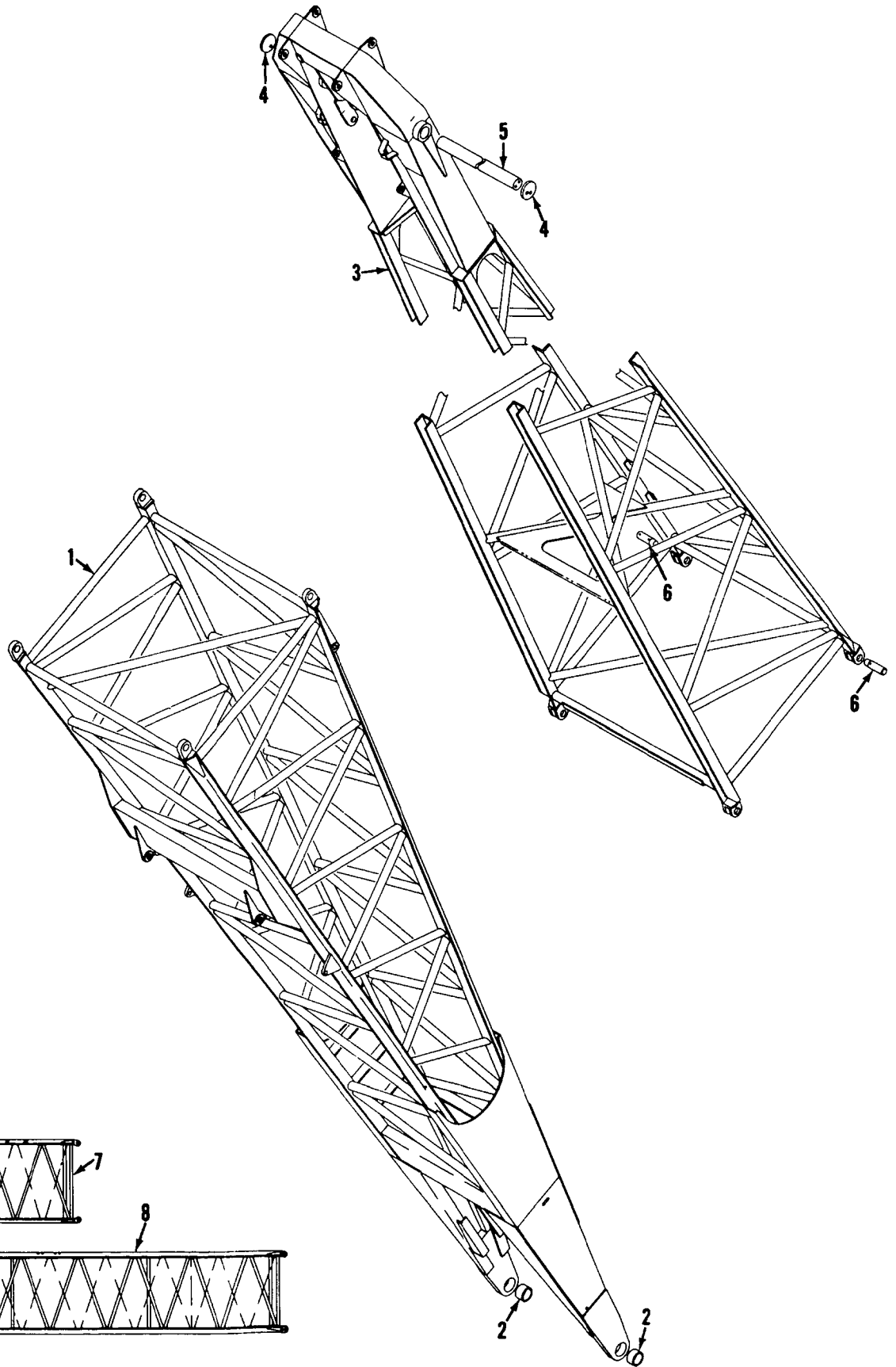
GROUP E - Lower Structure & Control

MANITOWOC ENGINEERING CO

A Division of The Manitowoc Company Inc.

Manitowoc, Wisconsin

MASTER



49279A1

MATERIAL LIST ON BACK

RINGER MAST

65074-1 Cont	REV B	M 111 4000W-4000W RINGER
--------------	-------	--------------------------

RINGER HYDRAULIC JACKING SYSTEM

M.A.C. 59

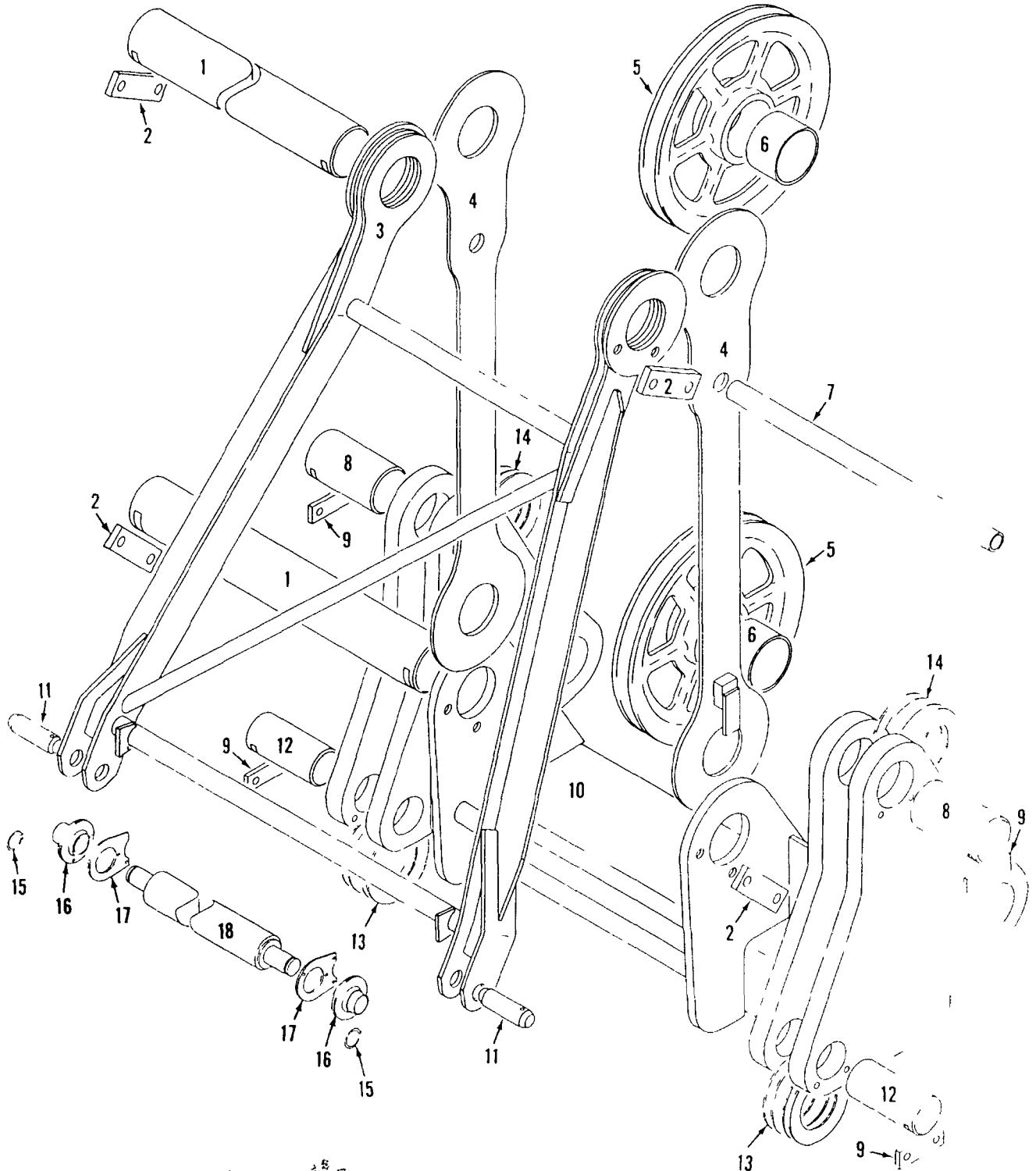
Run as Front

REF NO	PART NUMBER	QUANTITY REQUIRED	DESCRIPTION OF PART	VENDORS PART NO
47	429557	1	PLUG W/"0" Ring #596695	
48	538356	1	NAMEPLATE (Left Front Cylinder)	
49	538355	1	NAMEPLATE (Right Front Cylinder)	
50	538354	1	NAMEPLATE (Left Rear Cylinder)	
51	538353	1	NAMEPLATE (Right Rear Cylinder)	
52	76192	1	SUPPORT, Lever	
53	79123	1	SUPPORT W/capscrews, hex nuts and lockwashers	
54	702509	1	VALVE, Control	
55	138730	1	ELBOW, 90° W/"0" Ring #596695	
56	543400	1	NIPPLE, Close (1/8")	
57	375303	1	PLUG, Coupler	
58	375304	1	CAP, Duct	
59	375305	1	SOCKET, Coupler	
60	486106	1	HOSE, Flex (2'9" - 839 m)	
61	429784	1	ADAPTER	
62	596813	1	RING, "0"	
63	72535	8	PIN W/cotter pins	
64	72536	8	LINK, Control	
65	79127	4	LEVER, Valve	
66	72542	1	PIN W/cotter pins	
67	543750	1	NIPPLE (3/4" x 4")	
68	406906	1	ELBOW, 90° (3/4" x 1/2")	
69	566198	1	PIPE (1/2" x 2 1/2")	
70	486300	2	HOSE, Flex (4'4" - 1 321 m)	
71	486301	2	HOSE, Flex (4'5" - 1 346 m)	
72	696078	4	TUBE, Preformed	
73	695998	1	TUBE, Preformed	
74	695997	1	TUBE, Preformed	
75	695996	1	TUBE, Preformed	
76	695995	1	TUBE, Preformed	

65074 B1 Cont

0-244

REV	B	65074 - 1
-----	---	-----------



181278 DI

MAST SUPPORT

MATERIAL LIST ON BACK

181278D1

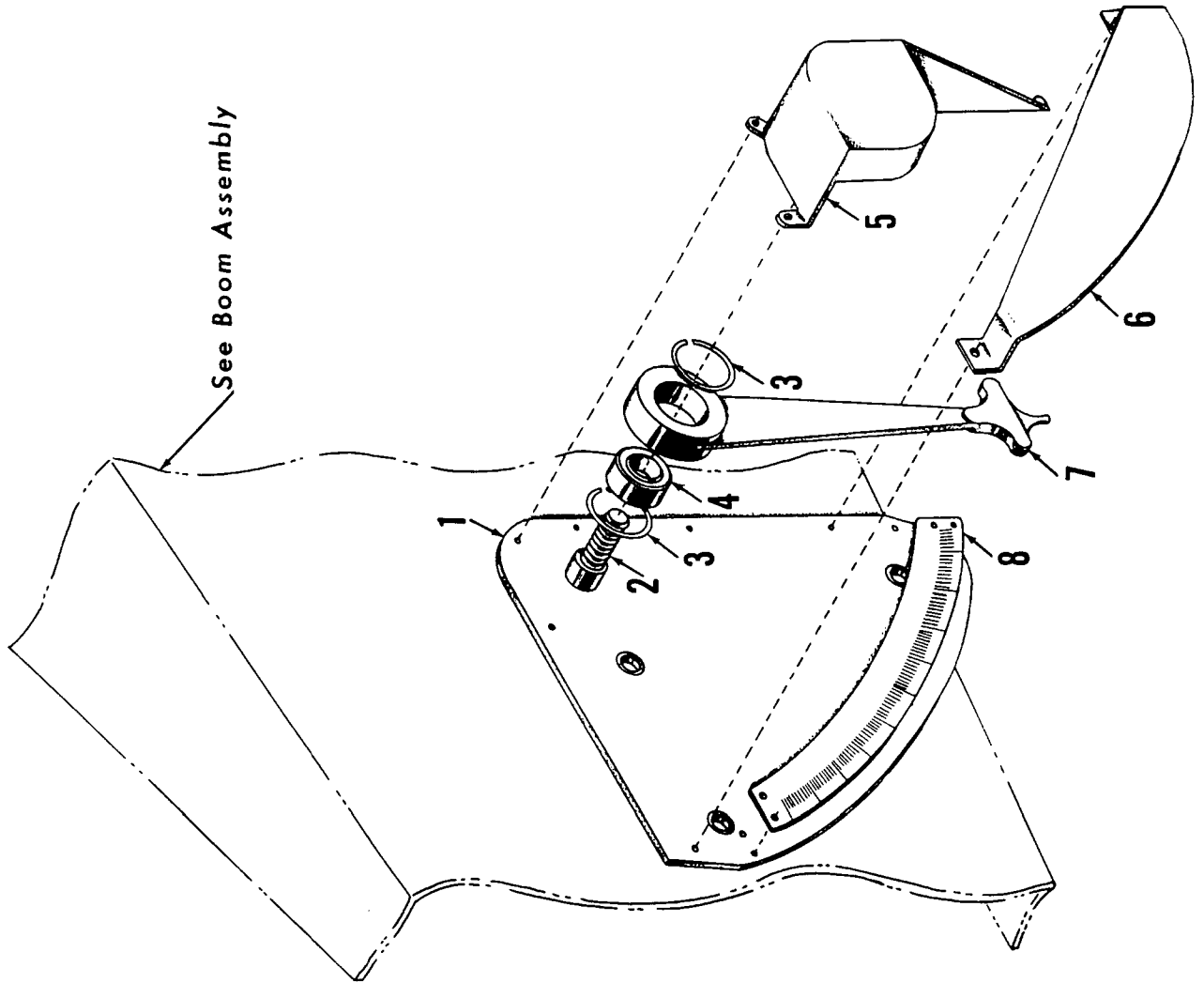
CLICK HERE TO **DOWNLOAD** THE COMPLETE MANUAL

- Thank you very much for reading the preview of the manual.
- You can download the complete manual from: [www.heydownloads.com](http://www.heydownloads.com) by clicking the link below



- Please note: If there is no response to CLICKING the link, please download this PDF first and then click on it.

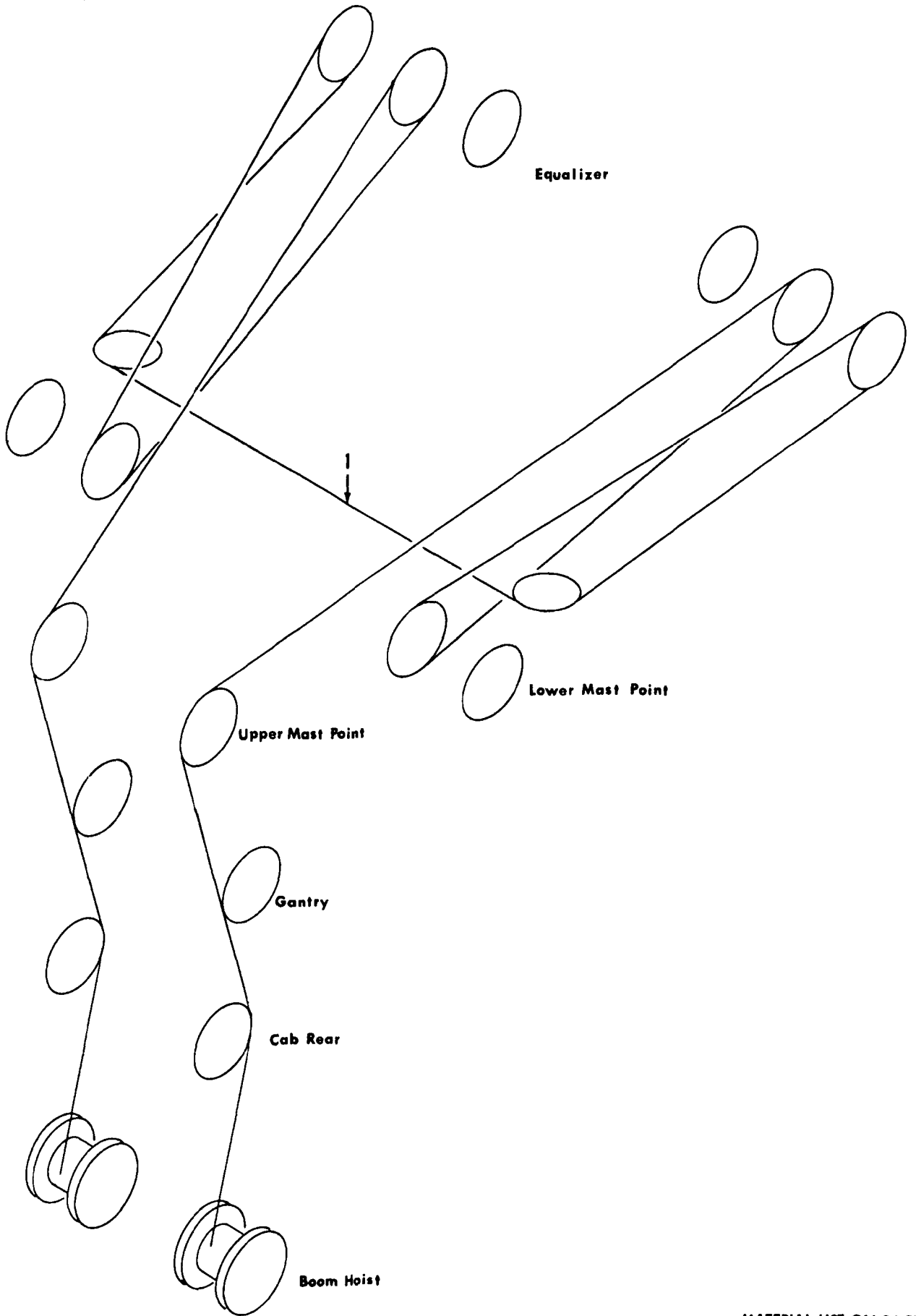
CLICK HERE TO **DOWNLOAD** THE COMPLETE MANUAL



MANITOWOC ENGINEERING CO.

A Division of The Manitowoc Company, Inc.

Manitowoc, Wisconsin



50999A2

MATERIAL LIST ON BACK

BOOM HOIST REEVING

MASTER

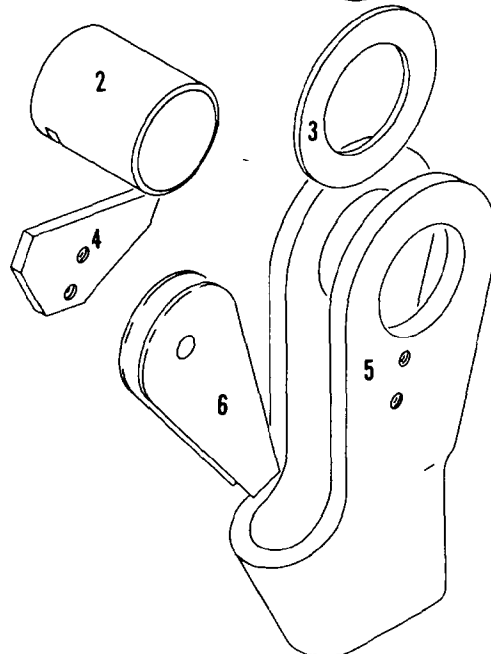
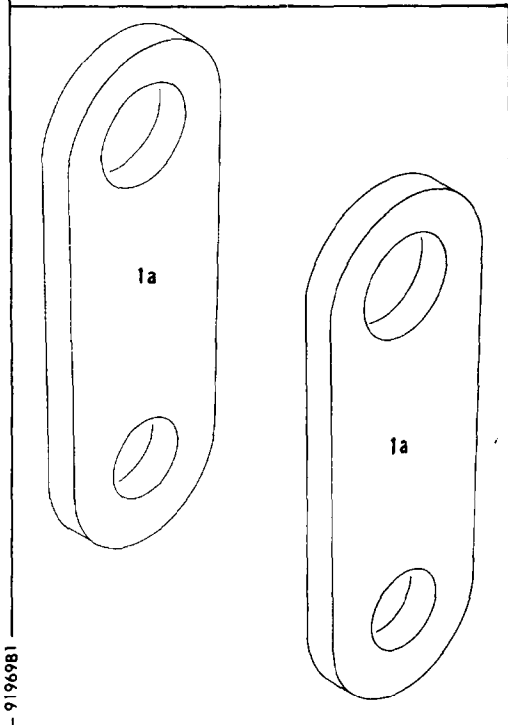
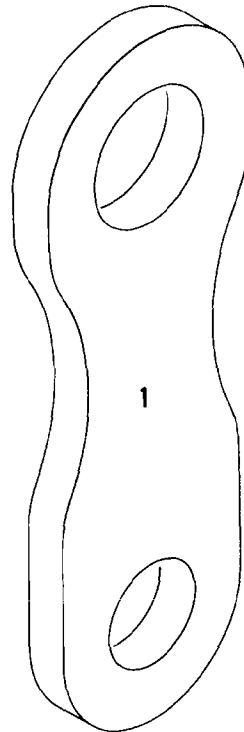
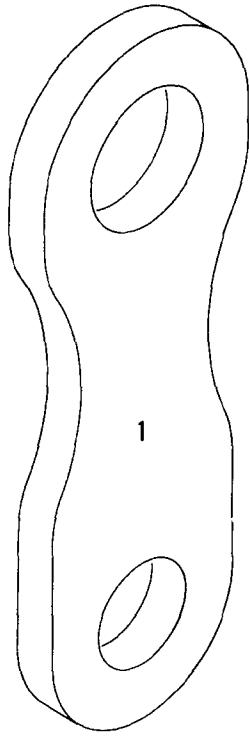
50999A2

MANITOWOC ENGINEERING CO.

A Division of The Manitowoc Company, Inc.

Manitowoc, Wisconsin

MASTER



91969B1

MATERIAL LIST ON BACK

ANCHOR JOINT

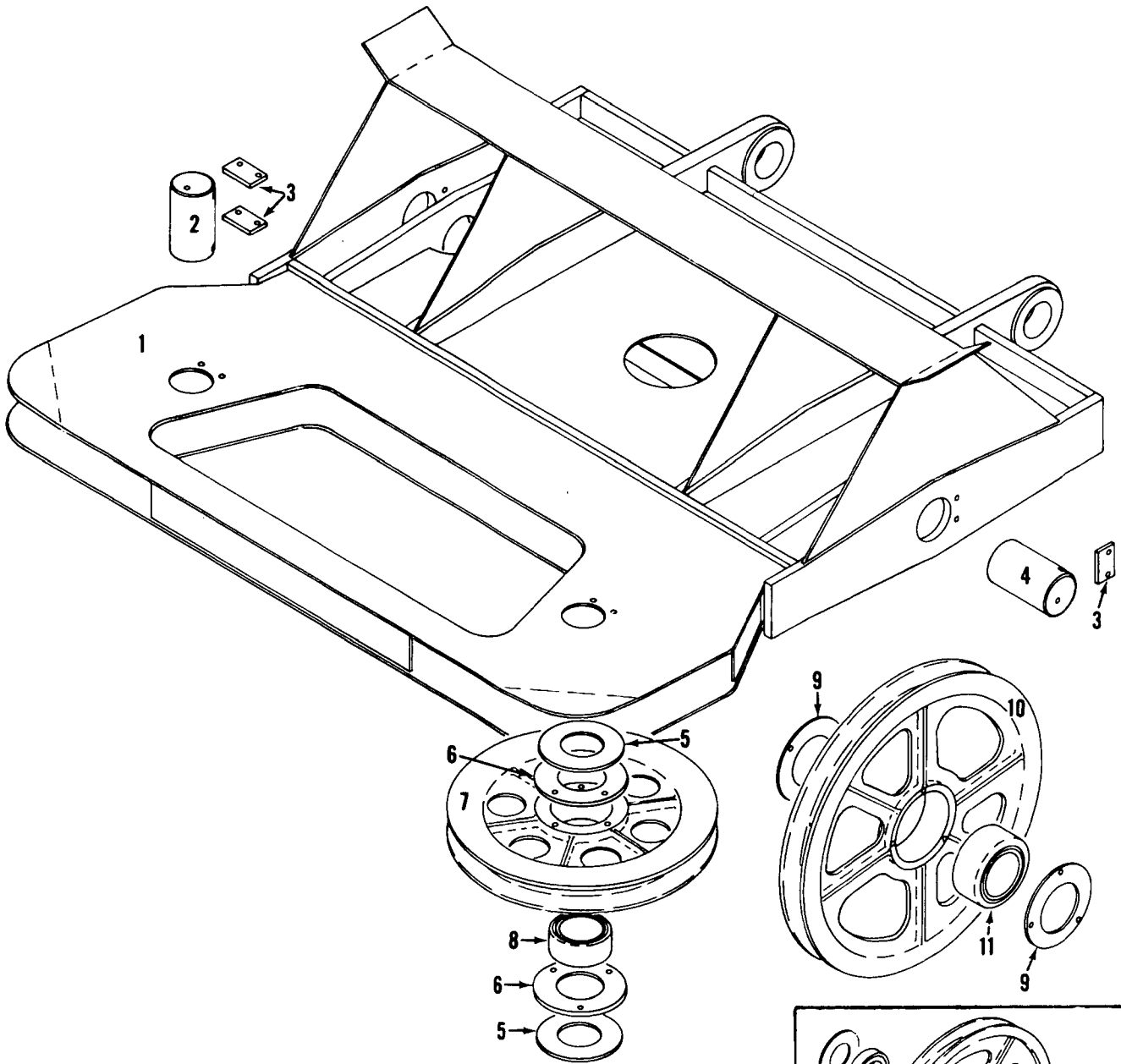
91969 B1

MANITOWOC ENGINEERING CO.

A Division of The Manitowoc Company, Inc.

Manitowoc, Wisconsin

WASTE



18146381

MATERIAL LIST ON BACK

EQUALIZER

**MANITOWOC ENGINEERING CO.**

Division of The Manitowoc Company, Inc.

Manitowoc, Wisconsin 54220



**TUBING** (soft copper)

Code No.	Tube O.D.
696205	3/16
696210	1/4
696214	5/16
696216	3/8
696218	1/2
696219	5/8
696220	3/4



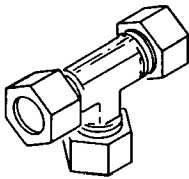
**NUT**

Code No.	Tube O.D.
424603	3/8
424604	1/2
424605	3/4
424633	5/16
424634	1/4
424635	3/16



**FERRULE**

Code No.	Tube O.D.
424600	1/4
424601	3/4
424602	3/8
424616	5/16
424617	1/2
424618	1/8
424619	3/16



**UNION TEE**

Code No.	Tube O.D.
429315	1/4
429316	3/8
429317	5/16



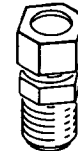
**UNION**

Code No.	Tube O.D.
429349	3/8
429361	1/4
429362	1/2
429397	5/16



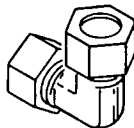
**FEMALE CONNECTOR**

Code No.	Tube O.D.	Pipe Thread
429312	3/16	1/8
429407	1/4	1/8
429830	1/4	1/4



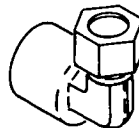
**MALE CONNECTOR**

Code No.	Tube O.D.	Pipe Thread
429324	3/4	3/4
429328	3/8	1/2
429351	5/16	1/8
429358	1/2	3/4
429359	1/2	3/8
429363	1/4	1/8
429364	1/4	1/4
429365	3/16	1/8
429366	3/8	1/8
429367	3/8	1/4
429368	3/8	3/8



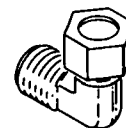
**UNION ELBOW**

Code No.	Tube O.D.
429372	3/8
429378	1/2
429381	1/4



**FEMALE ELBOW**

Code No.	Tube O.D.	Pipe Thread
429066	1/4	1/8
429825	1/4	1/4

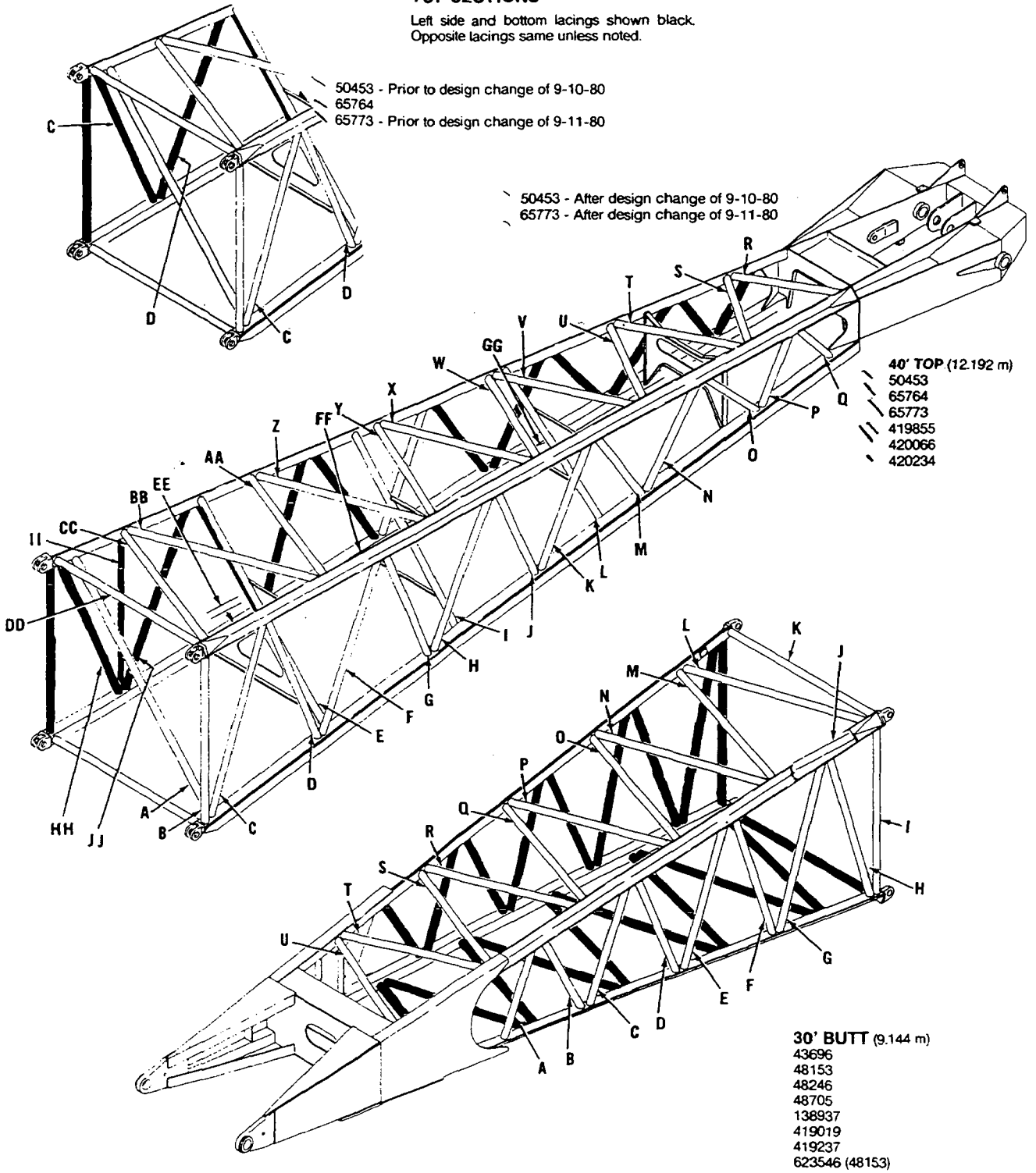


**MALE ELBOW**

Code No.	Tube O.D.	Pipe Thread
429371	1/2	1/2
429373	3/8	1/8
429374	1/4	1/4
429375	3/8	1/4
429376	1/2	3/8
429380	1/4	1/8
429384	3/8	1/2
429385	5/16	1/8
429386	3/16	1/8
429401	1/2	3/4
429422	3/8	3/8
429453	3/4	3/4

**BOOMS #22, #22A, #22C-BUTT & TOP SECTIONS**

Left side and bottom lacings shown black.  
Opposite lacings same unless noted.



O-503 C1

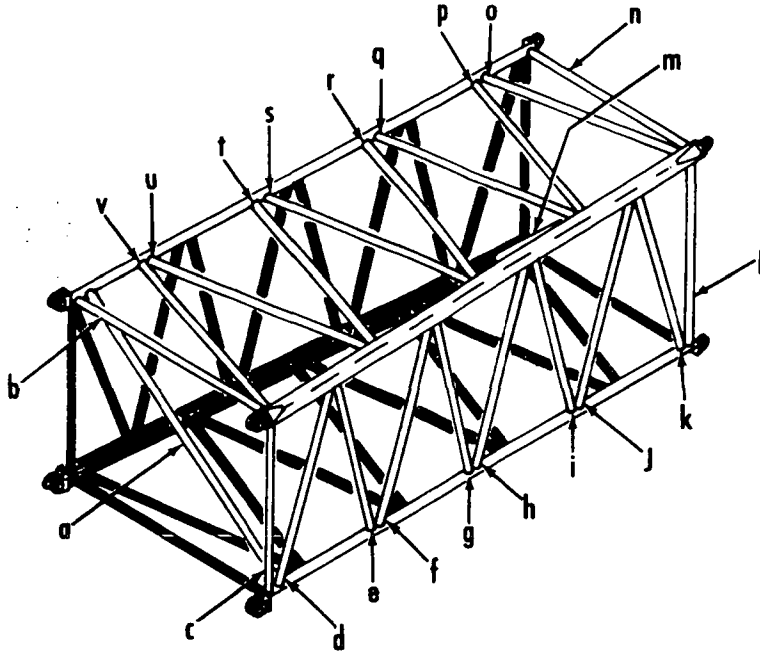
To order lacings see Folio #823

2-13-92  
9-91

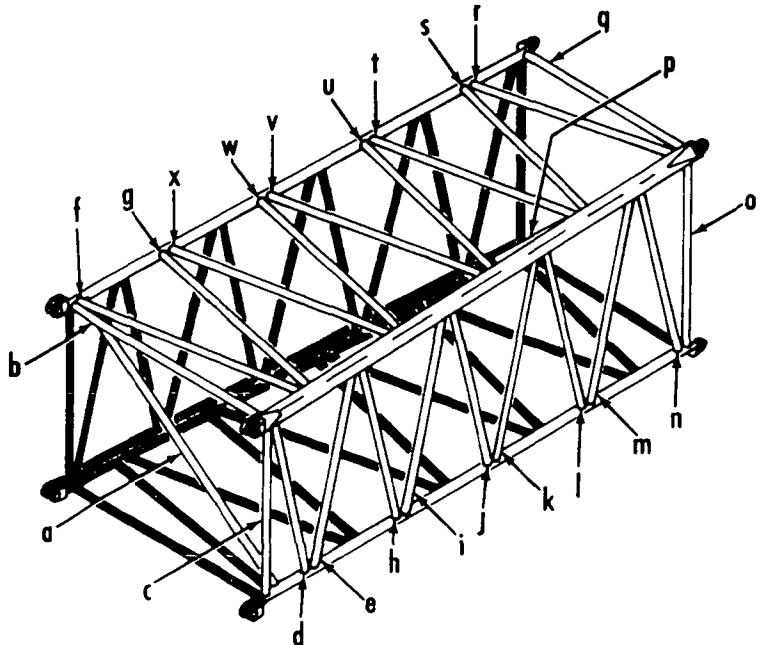
LACINGS

Boom #27 to #22  
Left Side and Bottom Lacings Black  
Opposite Lacings Same Unless Noted.

MASTER



20' Transition Insert  
#49554



20' Transition Insert  
#419455

When ordering give the insert  
number and lacing letter -  
Example - Lacing #49554-E

CLICK HERE TO **DOWNLOAD** THE COMPLETE MANUAL

- Thank you very much for reading the preview of the manual.
- You can download the complete manual from: [www.heydownloads.com](http://www.heydownloads.com) by clicking the link below



- Please note: If there is no response to CLICKING the link, please download this PDF first and then click on it.

CLICK HERE TO **DOWNLOAD** THE COMPLETE MANUAL