

Manitowoc

TRADITIONAL CRANE PARTS MANUAL

This manual has been prepared for and is considered part of

4100W Ringer

Model

10222

Serial Number

GROUP A = Rotating Structure (Includes rotating bed, operator's cab, cases, fuel tanks, transfer pump, counterweights, guards, platforms, catwalks, machinery enclosure, horn)

GROUP B = Upperworks Machinery (Includes front, rear, and auxiliary drums, boom hoist, swing and drive shafts, hand levers, foot pedals, control linkage, rotation indicators, upperworks hydraulic components, hydraulic piping, hydraulic oil reservoir, lubrication pump and piping, blowers)

GROUP C = Air Components & Electrical (Includes control console, air piping, electric wiring, auxiliary light plant and lighting, TV monitoring, compressor and air tank)

GROUP D = Power Components - Upperworks (Includes engine or motor, radiator, auxiliary power plant, take off converters and piping, controls, VICON power lowering, torque limiter, hydraulic pumps and piping, fuel piping, battery box)

GROUP E = Lower Structure & Control (Includes carbody, crawlers, travel shafts and control, steering travel locks, hydraulic travel, travel power outriggers, carrier, pedestal, lowerworks hydraulic piping, RINGER components, barge mounting and machinery, spud drums)

GROUP F = Attachments (Includes booms, jibs, masts, tower, wire rope guides, equalizer, gantry, fairlead, timber guards, boom angle indicator, block-up limit, tag line, hook block, weight ball, upper and lower boom point, wind speed indicator, crowd and retract dipper sticks, dippers,)

O-NUMBER SECTION = (Includes lacing drawings and purchased component parts drawings referenced in sections A through F)

This manual is arranged in sections as listed above. Sections A through F are arranged by group numerical order with an index after each section tab. An alphabetical index for groups A Through F combined is located after the O-number Section. The O-number section is arranged in numerical order by O-number. Following this cover page are the Basic Specifications, Warranty Information, Tool List (if applicable) Outline Dimensions, Weights, and Dealer Listing.

CLICK HERE TO **DOWNLOAD** THE COMPLETE MANUAL

- Thank you very much for reading the preview of the manual.
- You can download the complete manual from: www.heydownloads.com by clicking the link below



- Please note: If there is no response to CLICKING the link, please download this PDF first and then click on it.

CLICK HERE TO **DOWNLOAD** THE COMPLETE MANUAL

Corrosion and Abrasion

Refer to Figure 3.

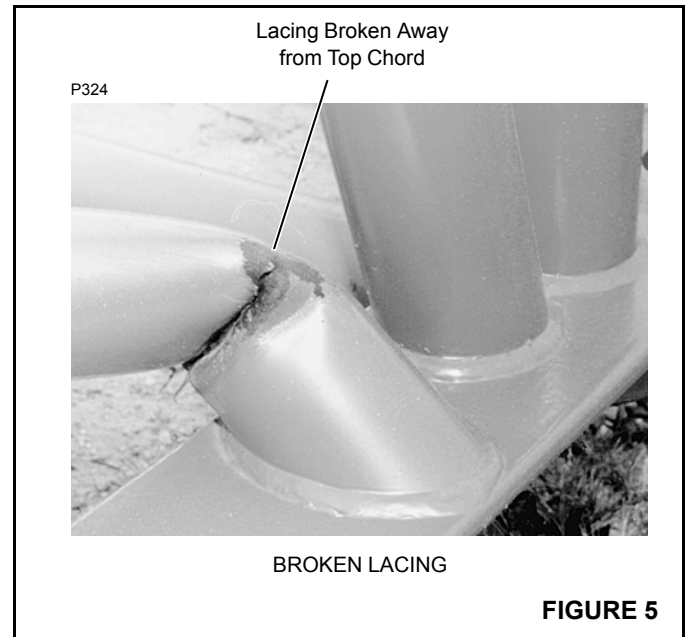
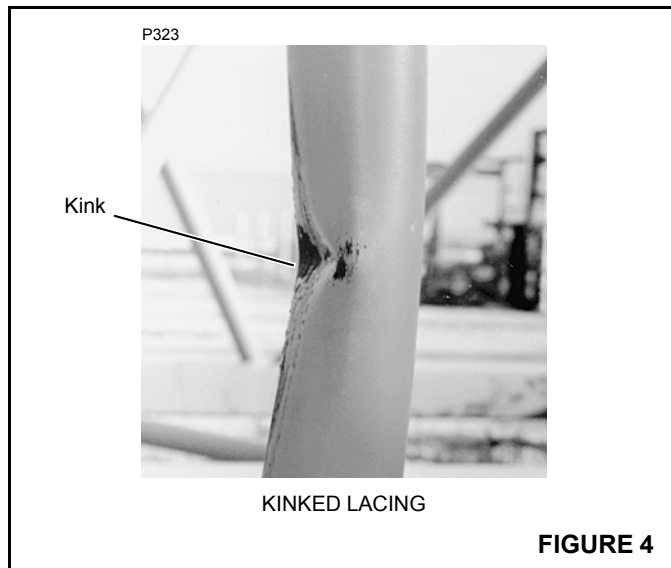
Corrosion and abrasion must not be deeper than 10 percent of the wall thickness, the angle thickness, or the plate thickness.

Kinks

Refer to Figure 4.

Kinked lacings must be replaced; *do not bend kinked lacings back into alignment.*

If any chord or platework is kinked, contact Manitowoc Crane Care for approved repair instructions. *Do not bend kinked chords or platework back into alignment.*



Cracks and Breaks

Refer to Figure 5.

Cracked and broken lacings must be replaced; *do not attempt to repair cracked or broken lacings.*

If any chord or platework is cracked or broken, contact Manitowoc Crane Care for approved repair instructions. *Do not attempt to repair cracked or broken chords or platework.*

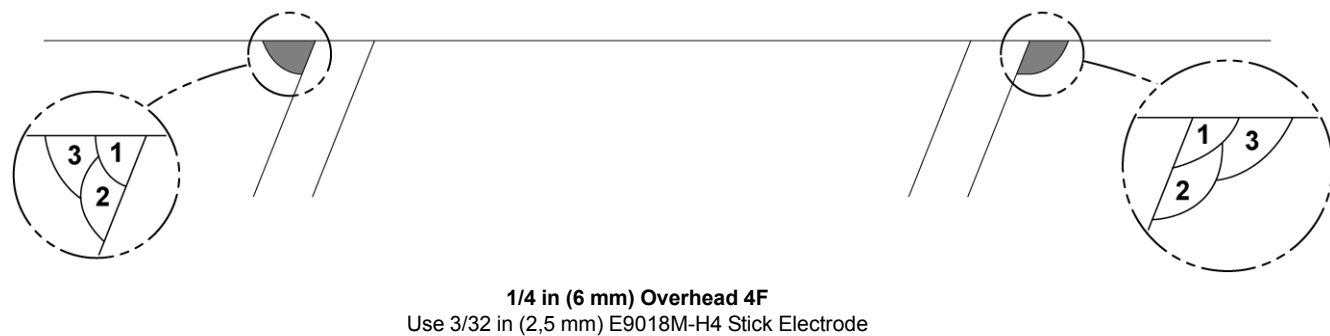
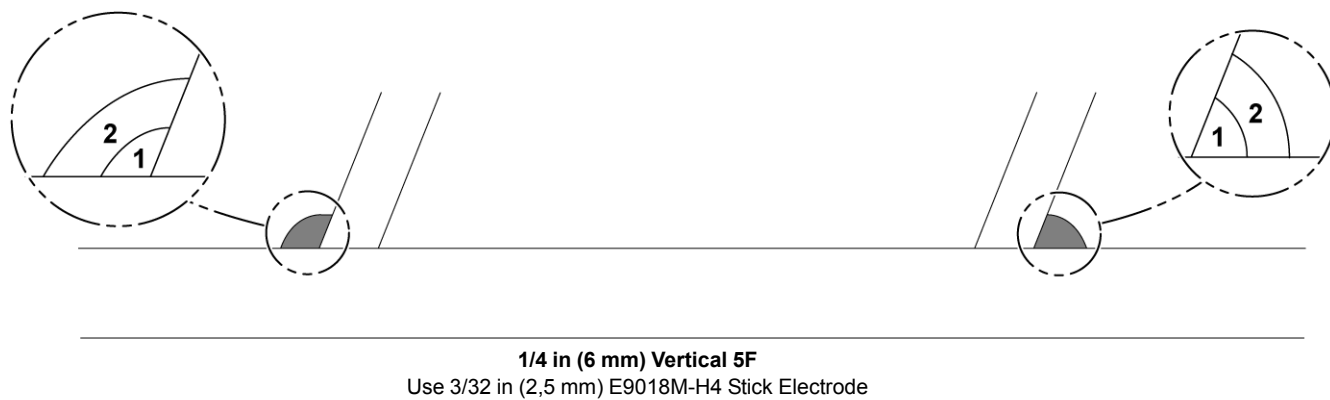
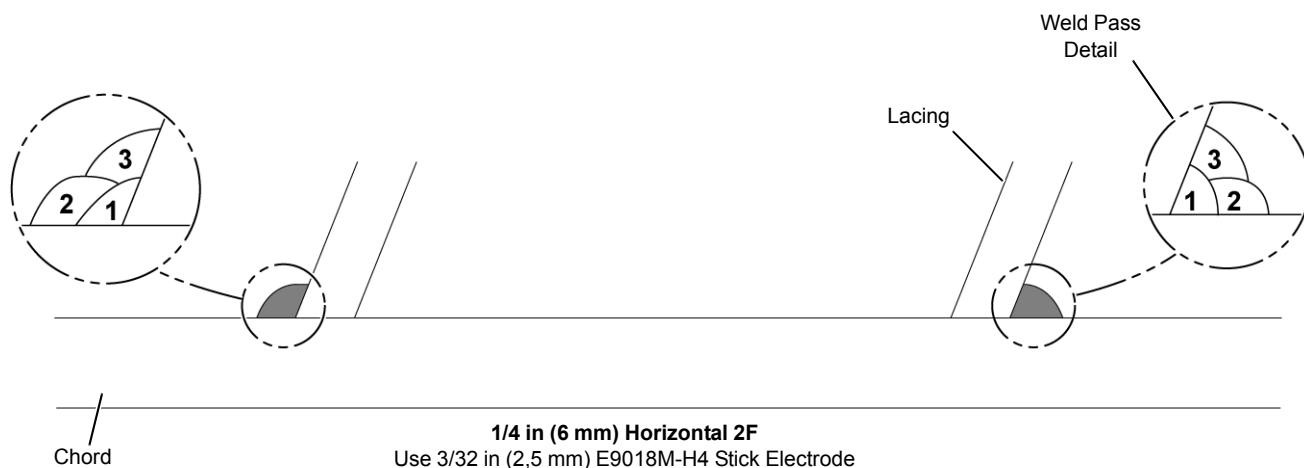
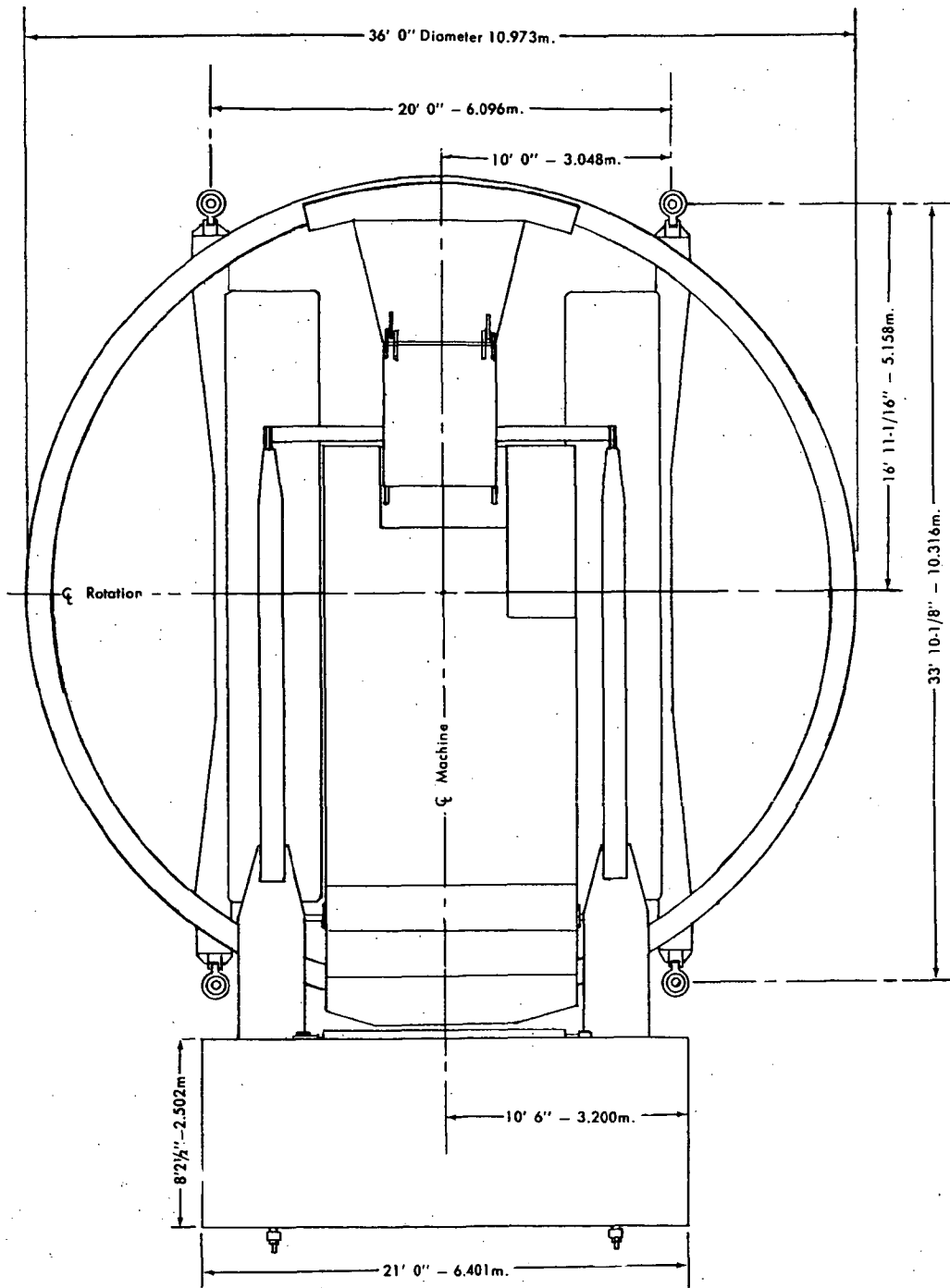


FIGURE 16

MANITOWOC ENGINEERING CO.

A Division of The Manitowoc Company, Inc.

Manitowoc, Wisconsin



181553-2

M4100W Ringer® - Series III

12-4-72
Drwg. Date 7-20-71

181553-2

OUTLINE DIMENSIONS

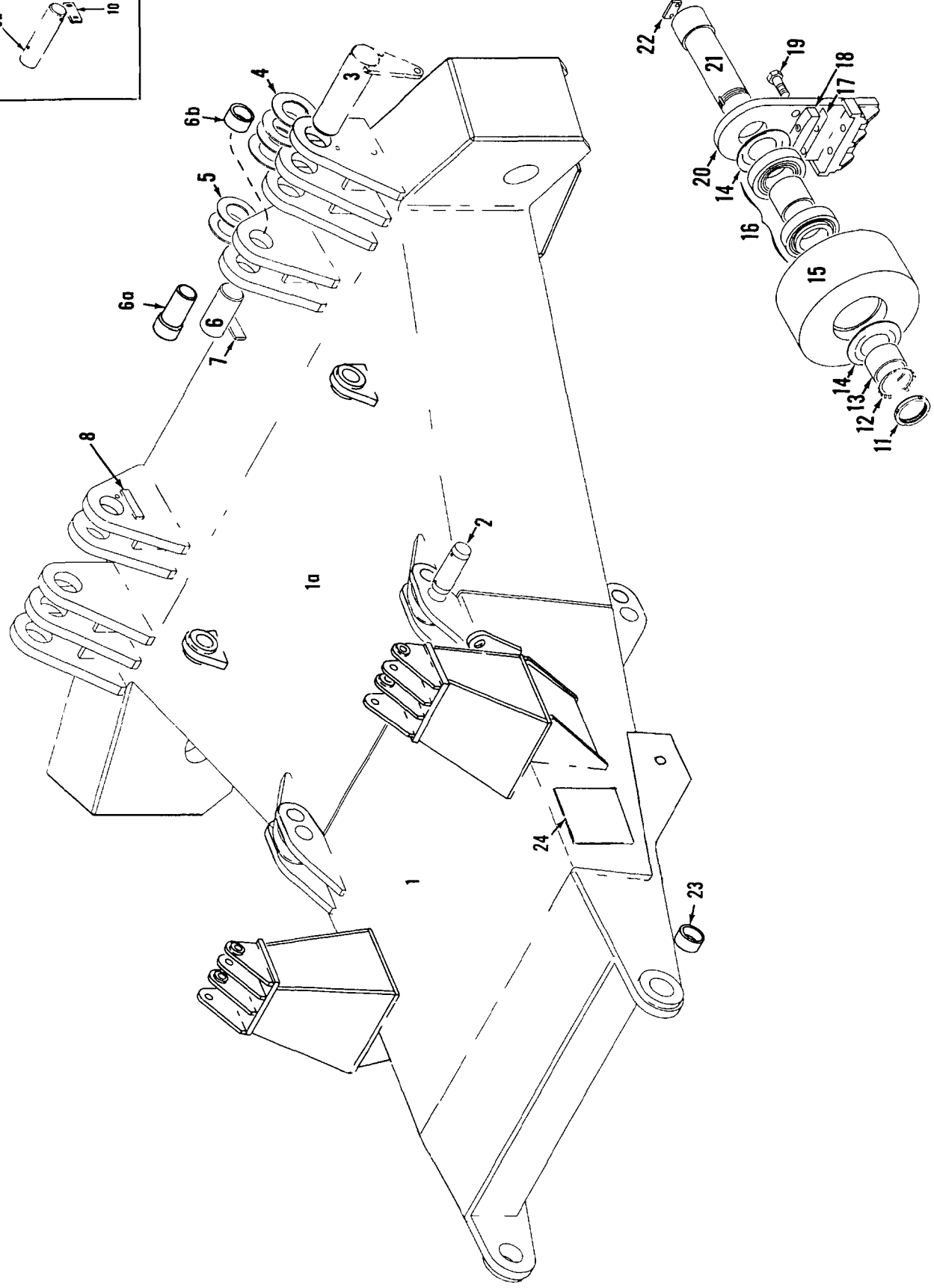
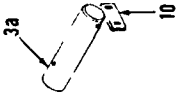
GROUP C - Air Components & Electrical

GROUP E - Lower Structure & Control

MASTER

65037 C1

65037C1



CLICK HERE TO **DOWNLOAD** THE COMPLETE MANUAL

- Thank you very much for reading the preview of the manual.
- You can download the complete manual from: www.heydownloads.com by clicking the link below



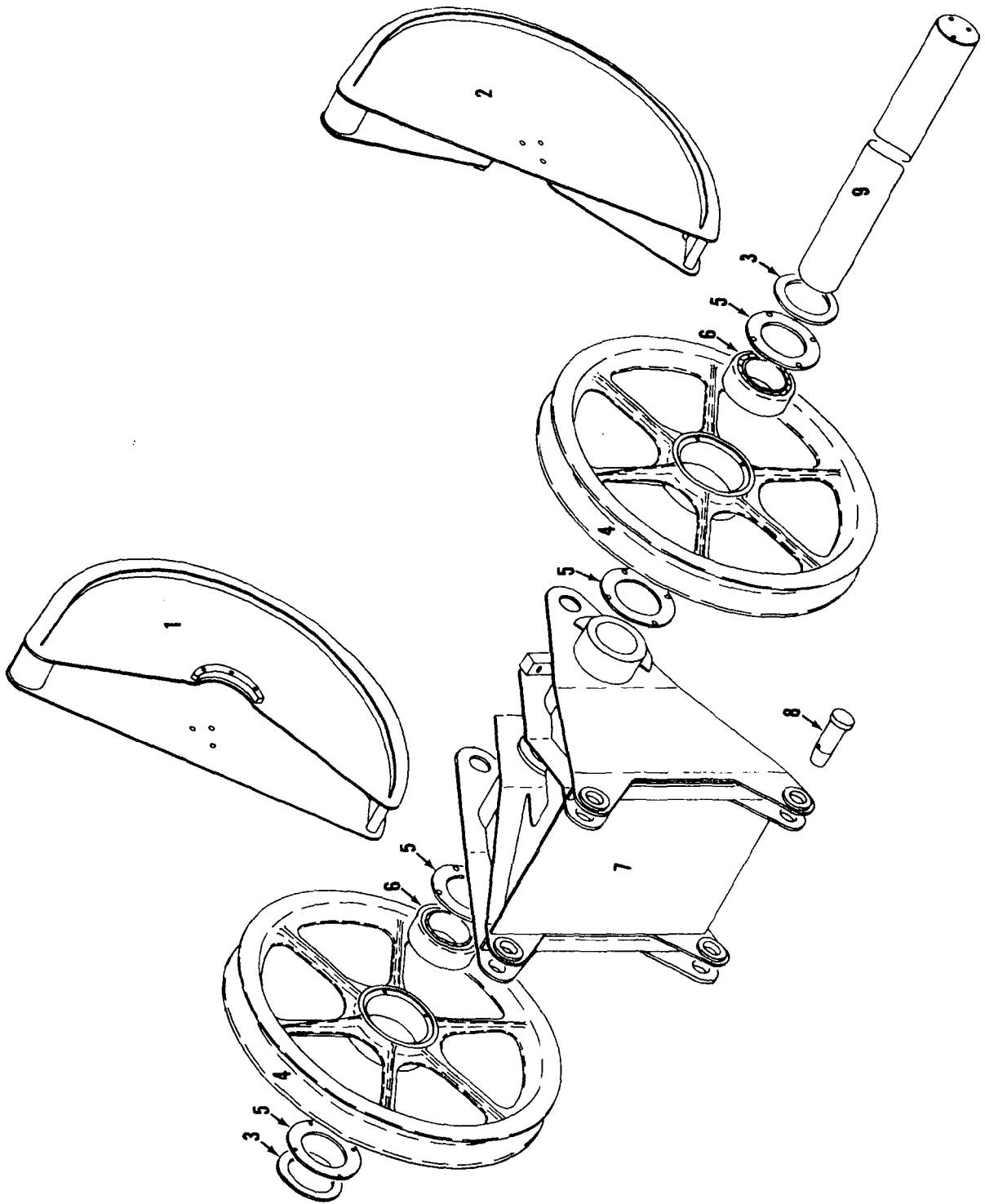
- Please note: If there is no response to CLICKING the link, please download this PDF first and then click on it.

CLICK HERE TO **DOWNLOAD** THE COMPLETE MANUAL

MANITOWOC ENGINEERING CO.

A Division of The Manitowoc Company, Inc.

Manitowoc, Wisconsin



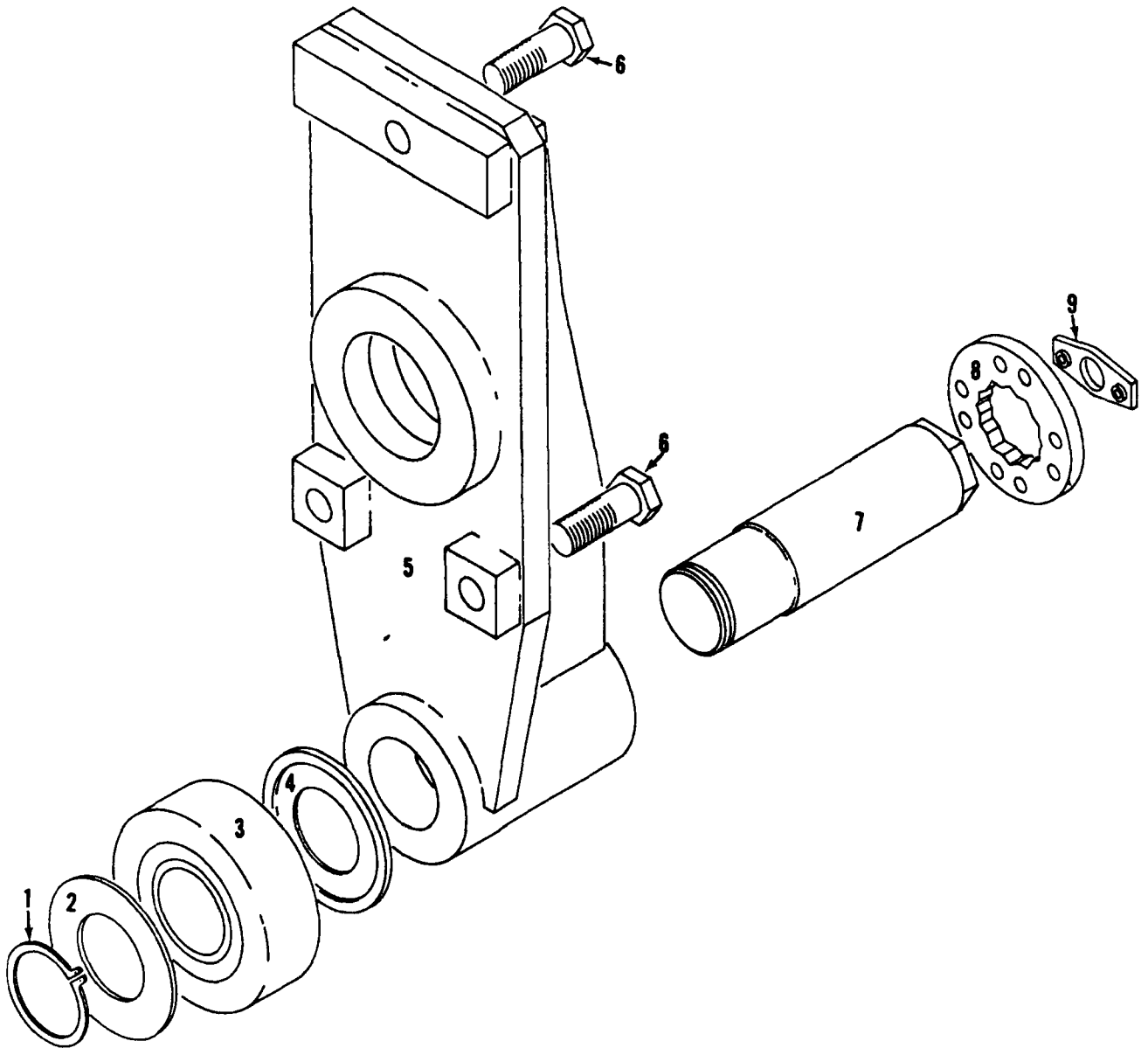
MASTER

93849A1

MATERIAL LIST ON BACK

UPPER MAST POINT

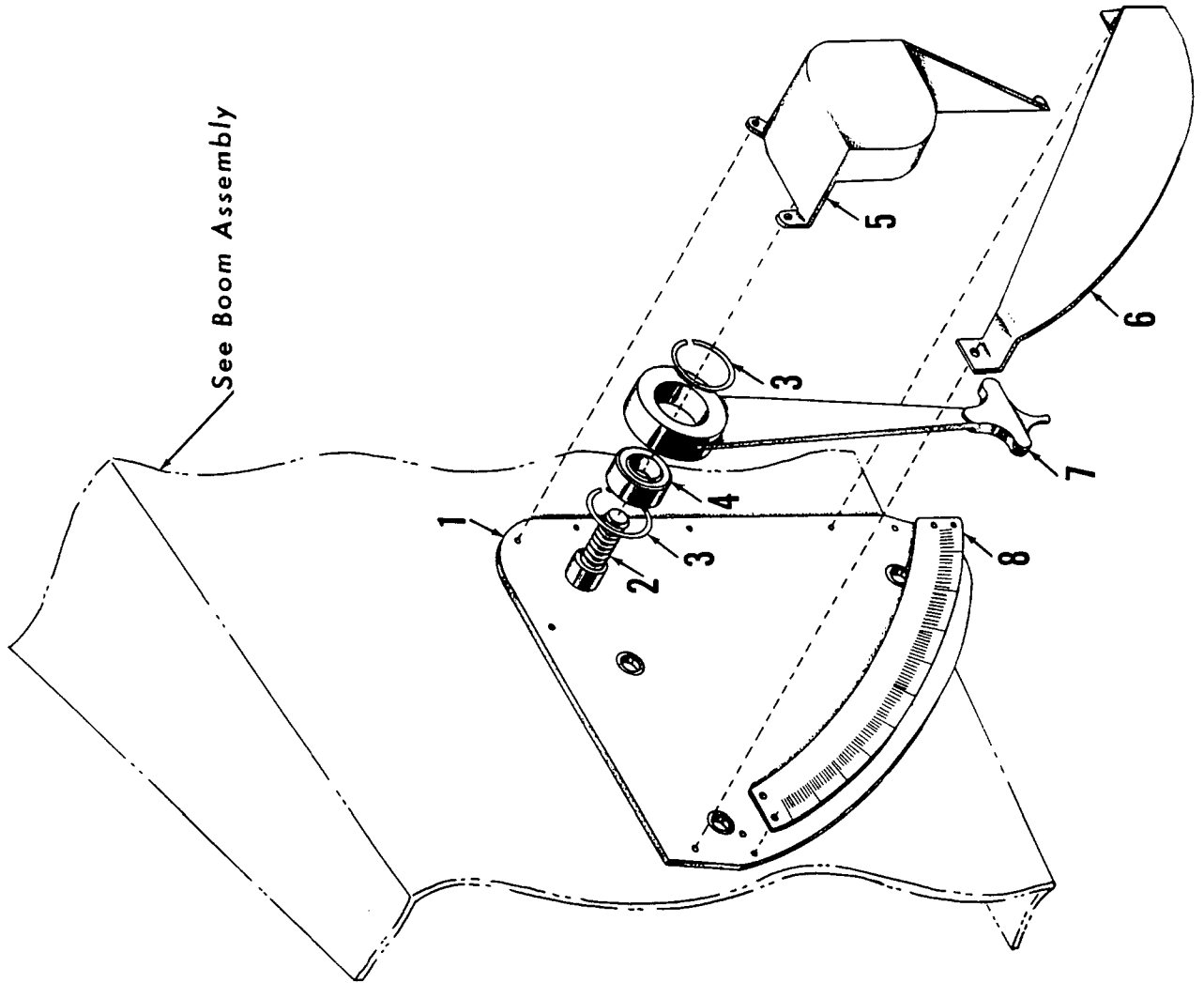
MASTER



181591A1

MATERIAL LIST ON BACK

HOO K ROLLER



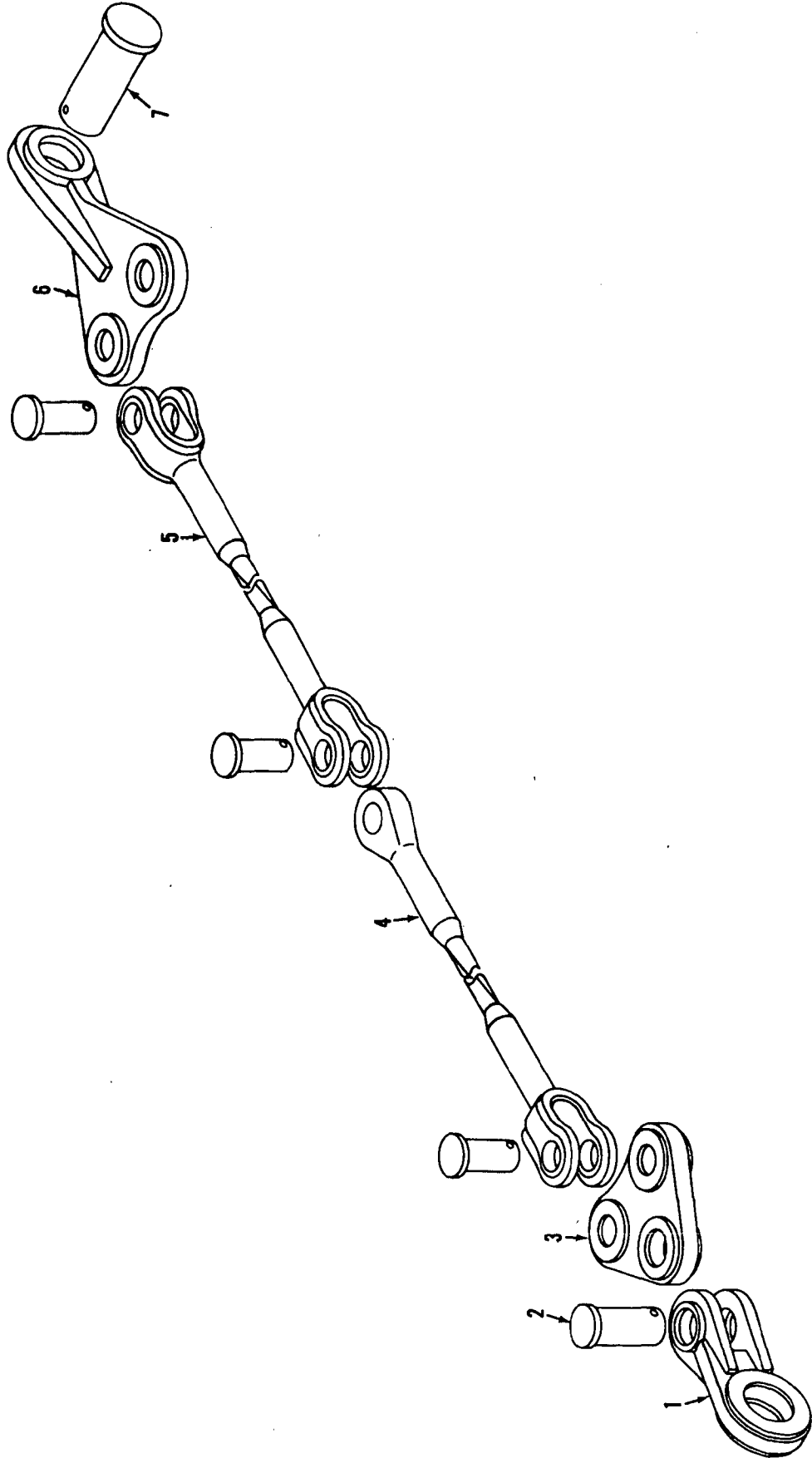
See Boom Assembly

MANITOWOC ENGINEERING CO.

A Division of The Manitowoc Company, Inc.

Manitowoc, Wisconsin

MASTER



50926A3

MATERIAL LIST ON BACK

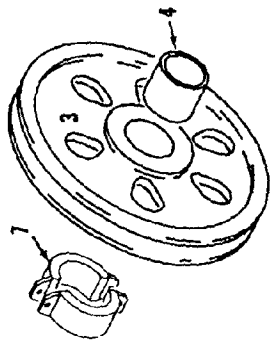
PENDANTS AND CONNECTORS

MANITOWOC ENGINEERING CO.

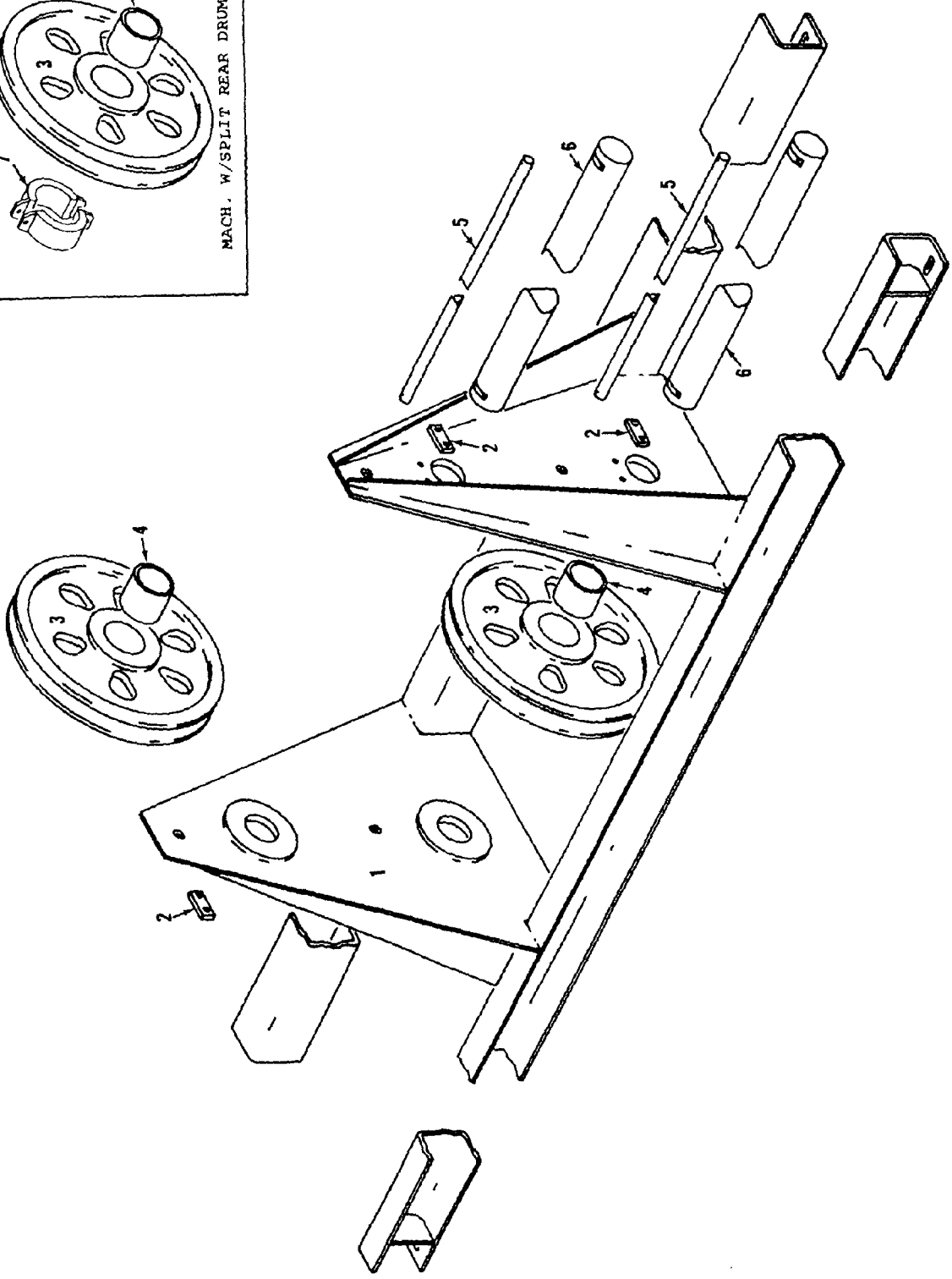
A Division of The Manitowoc Company, Inc.

Manitowoc, Wisconsin

MASTER



MACH. W/SPLIT REAR DRUM



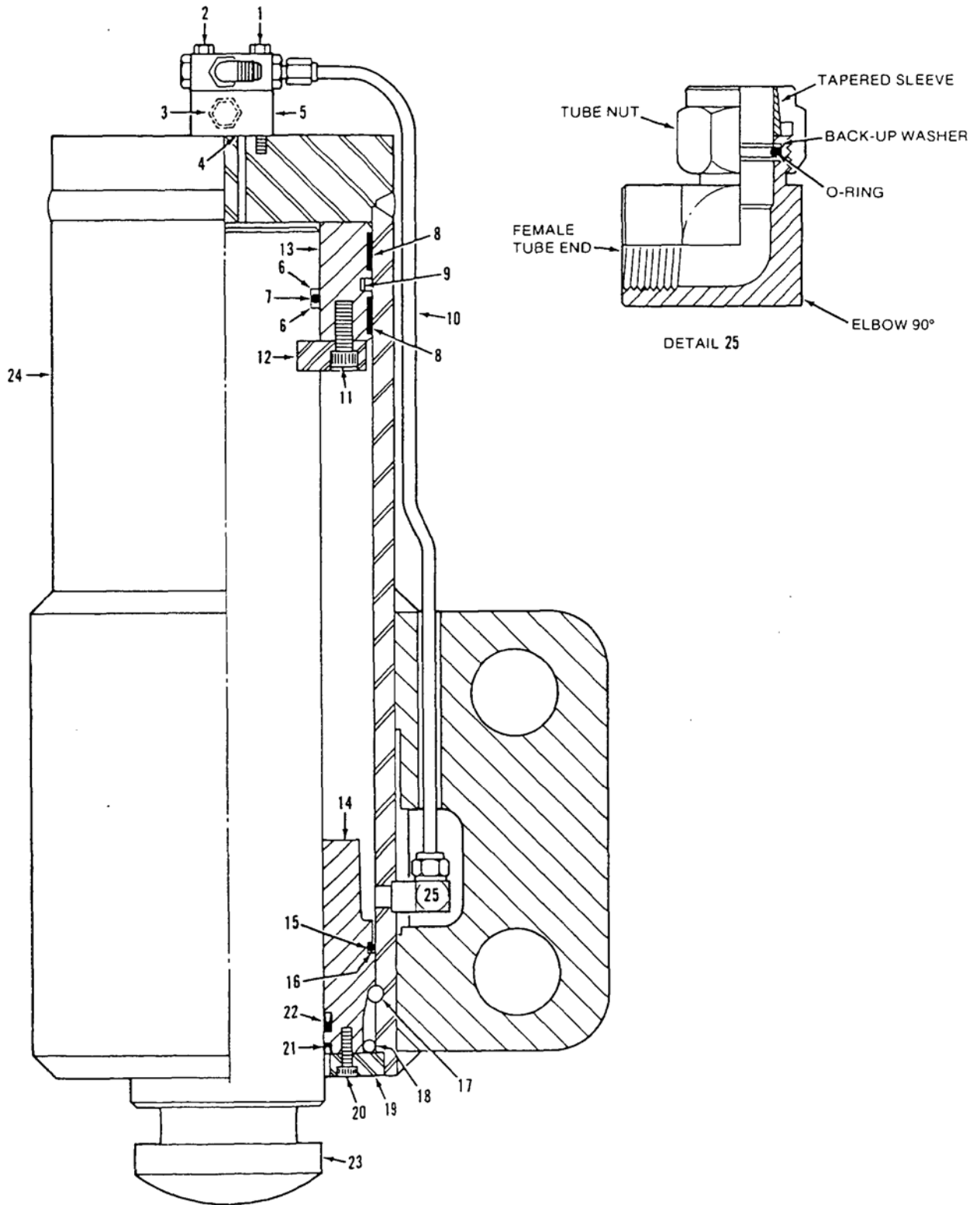
9328781

MATERIAL LIST ON BACK

WIRE ROPE GUIDE

1000 X 01

O-Number



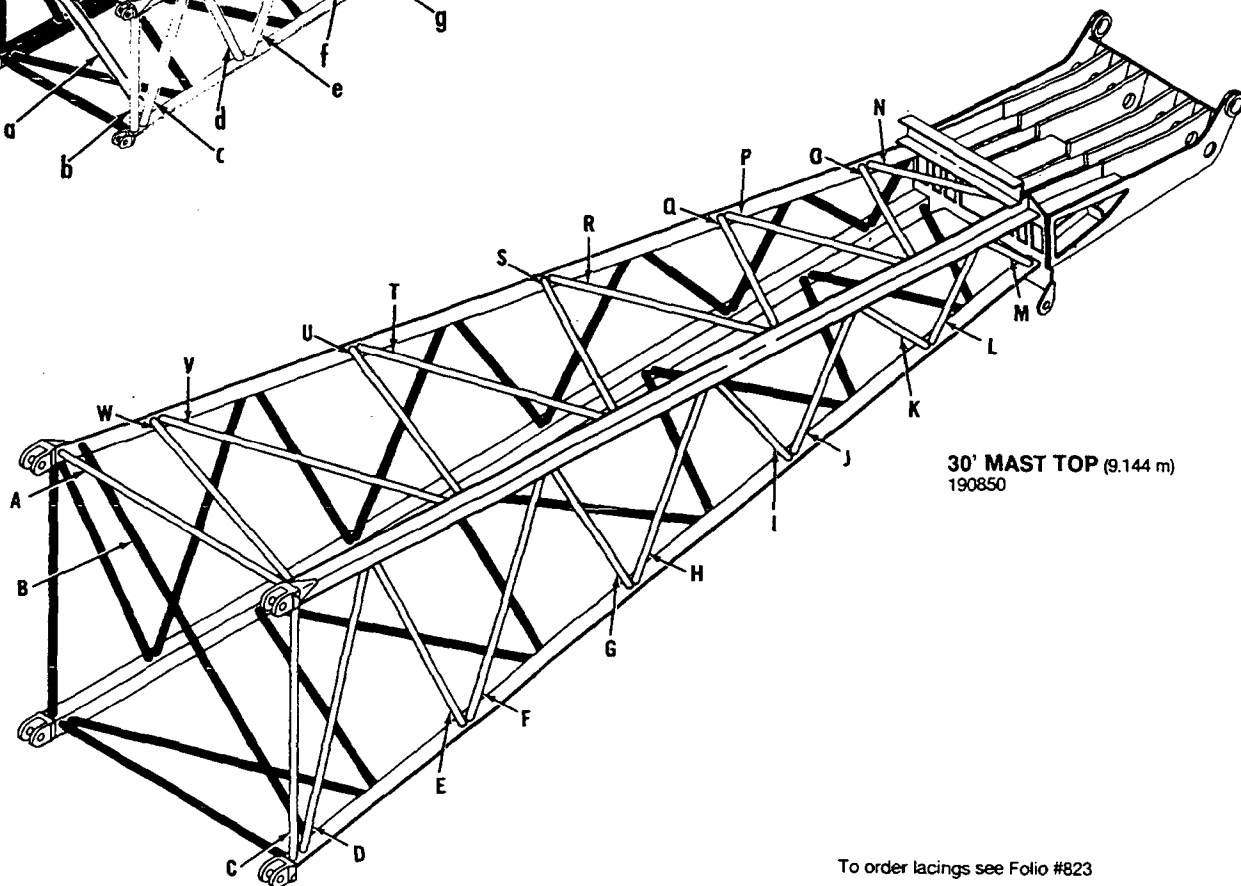
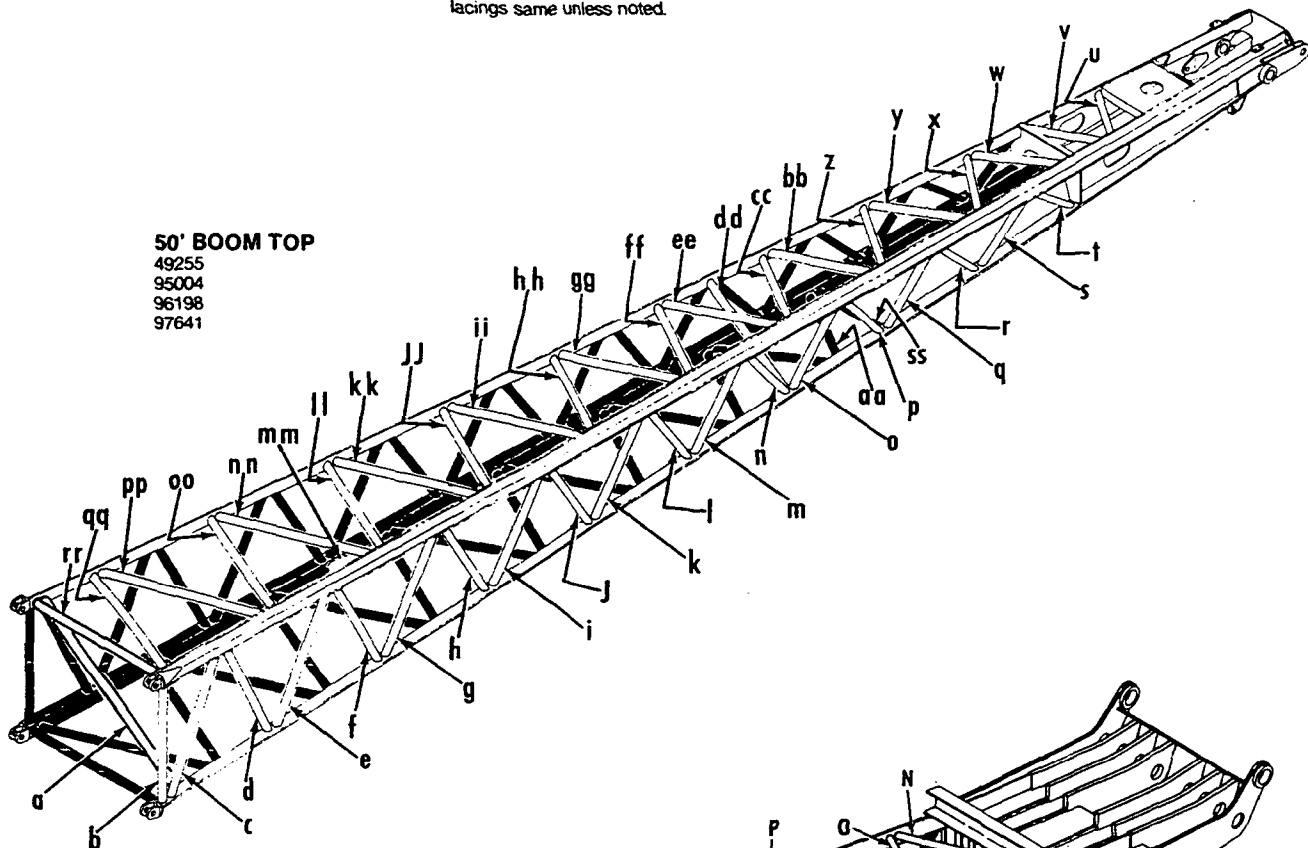
ASSEMBLY	REVISION
O-461	E

HYDRAULIC JACK CYLINDER

BOOMS #22 & 22A TOP SECTIONS

Left side and bottom lacings black. Opposite lacings same unless noted.

50' BOOM TOP
 49255
 95004
 96198
 97641



30' MAST TOP (9.144 m)
 190850

To order lacings see Folio #823

CLICK HERE TO **DOWNLOAD** THE COMPLETE MANUAL

- Thank you very much for reading the preview of the manual.
- You can download the complete manual from: www.heydownloads.com by clicking the link below



- Please note: If there is no response to CLICKING the link, please download this PDF first and then click on it.

CLICK HERE TO **DOWNLOAD** THE COMPLETE MANUAL