

Manitowoc

TRADITIONAL CRANE PARTS MANUAL

This manual has been prepared for and is considered part of

4100

Model

41325

Serial Number

GROUP A = Rotating Structure (Includes rotating bed, operator's cab, cases, fuel tanks, transfer pump, counterweights, guards, platforms, catwalks, machinery enclosure, horn)

GROUP B = Upperworks Machinery (Includes front, rear, and auxiliary drums, boom hoist, swing and drive shafts, hand levers, foot pedals, control linkage, rotation indicators, upperworks hydraulic components, hydraulic piping, hydraulic oil reservoir, lubrication pump and piping, blowers)

GROUP C = Air Components & Electrical (Includes control console, air piping, electric wiring, auxiliary light plant and lighting, TV monitoring, compressor and air tank)

GROUP D = Power Components - Upperworks (Includes engine or motor, radiator, auxiliary power plant, take off converters and piping, controls, VICON power lowering, torque limiter, hydraulic pumps and piping, fuel piping, battery box)

GROUP E = Lower Structure & Control (Includes carbody, crawlers, travel shafts and control, steering travel locks, hydraulic travel, travel power outriggers, carrier, pedestal, lowerworks hydraulic piping, RINGER components, barge mounting and machinery, spud drums)

GROUP F = Attachments (Includes booms, jibs, masts, tower, wire rope guides, equalizer, gantry, fairlead, timber guards, boom angle indicator, block-up limit, tag line, hook block, weight ball, upper and lower boom point, wind speed indicator, crowd and retract dipper sticks, dippers,)

O-NUMBER SECTION = (Includes lacing drawings and purchased component parts drawings referenced in sections A through F)

This manual is arranged in sections as listed above. Sections A through F are arranged by group numerical order with an index after each section tab. An alphabetical index for groups A Through F combined is located after the O-number Section. The O-number section is arranged in numerical order by O-number. Following this cover page are the Basic Specifications, Warranty Information, Tool List (if applicable) Outline Dimensions, Weights, and Dealer Listing.

CLICK HERE TO **DOWNLOAD** THE COMPLETE MANUAL

- Thank you very much for reading the preview of the manual.
- You can download the complete manual from: www.heydownloads.com by clicking the link below



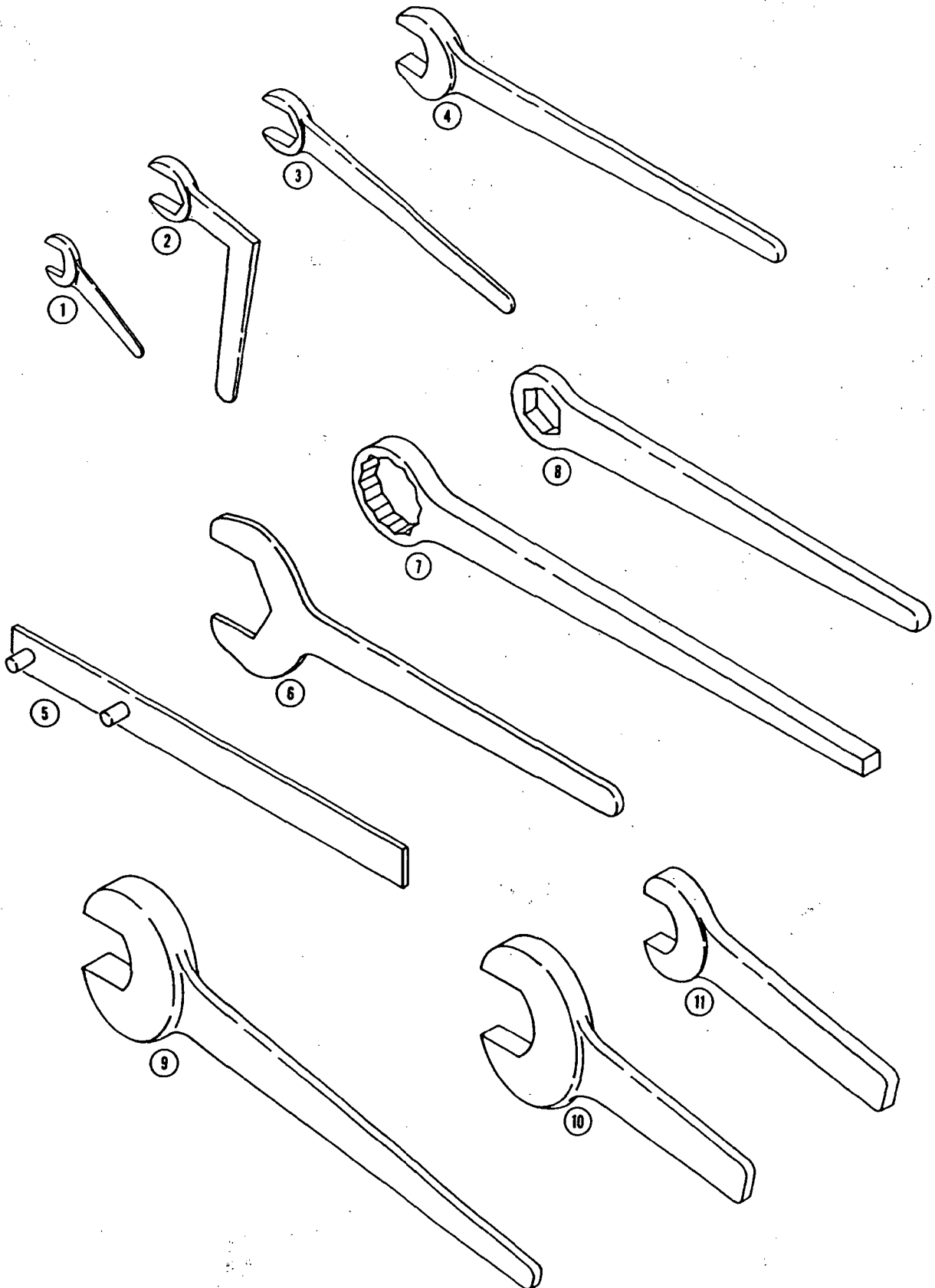
- Please note: If there is no response to CLICKING the link, please download this PDF first and then click on it.

CLICK HERE TO **DOWNLOAD** THE COMPLETE MANUAL

MANITOWOC ENGINEERING CO.

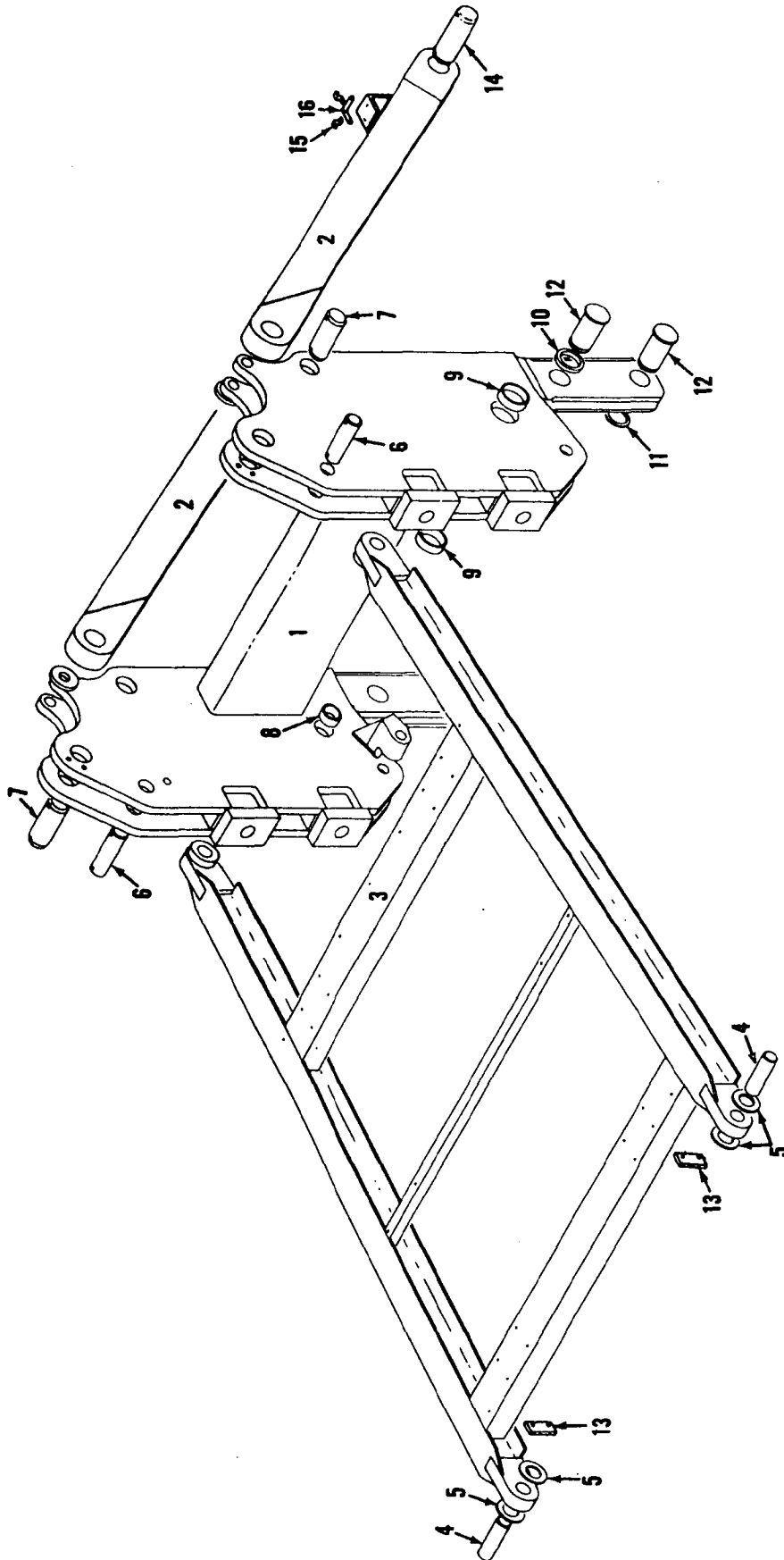
A Division of The Manitowoc Company, Inc.

Manitowoc, Wisconsin



0-480-1A

MATERIAL LIST ON BACK



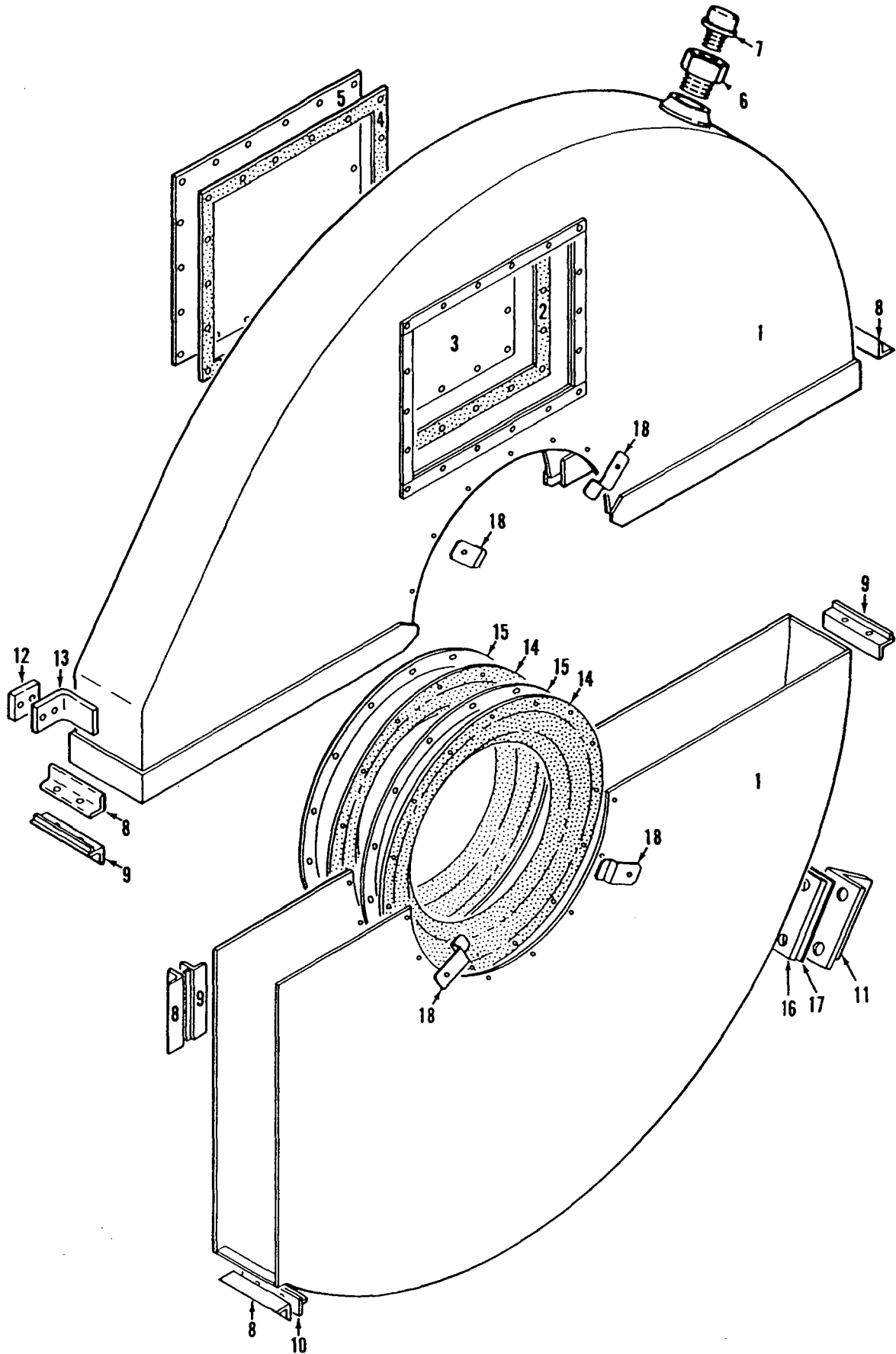
MASTER MASTER

48481 B1

48481 B1

MATERIAL LIST ON BACK

"A" FRAME

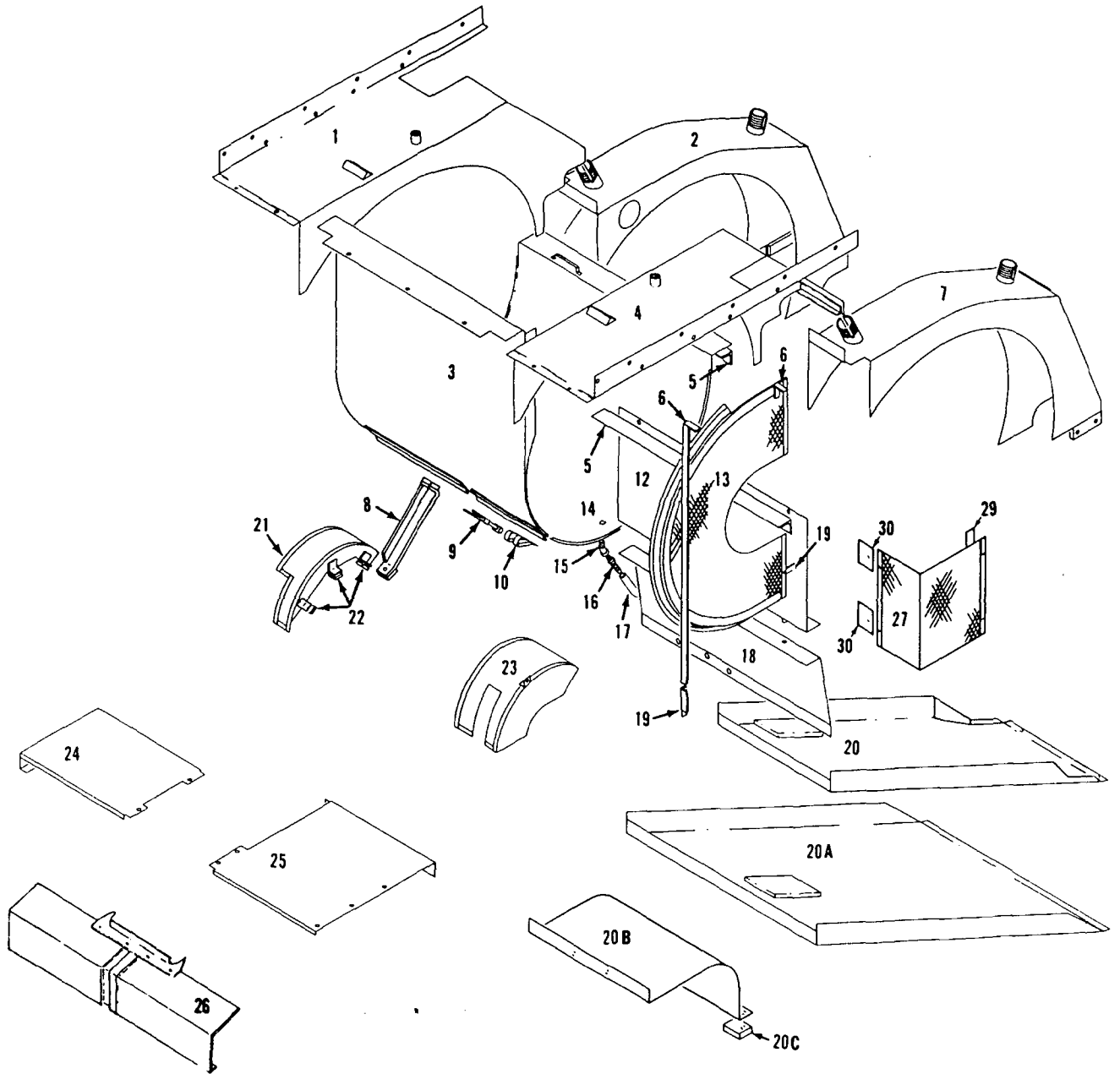


48691C2

MATERIAL LIST ON BACK

GEAR CASE

MASTER



49267E1

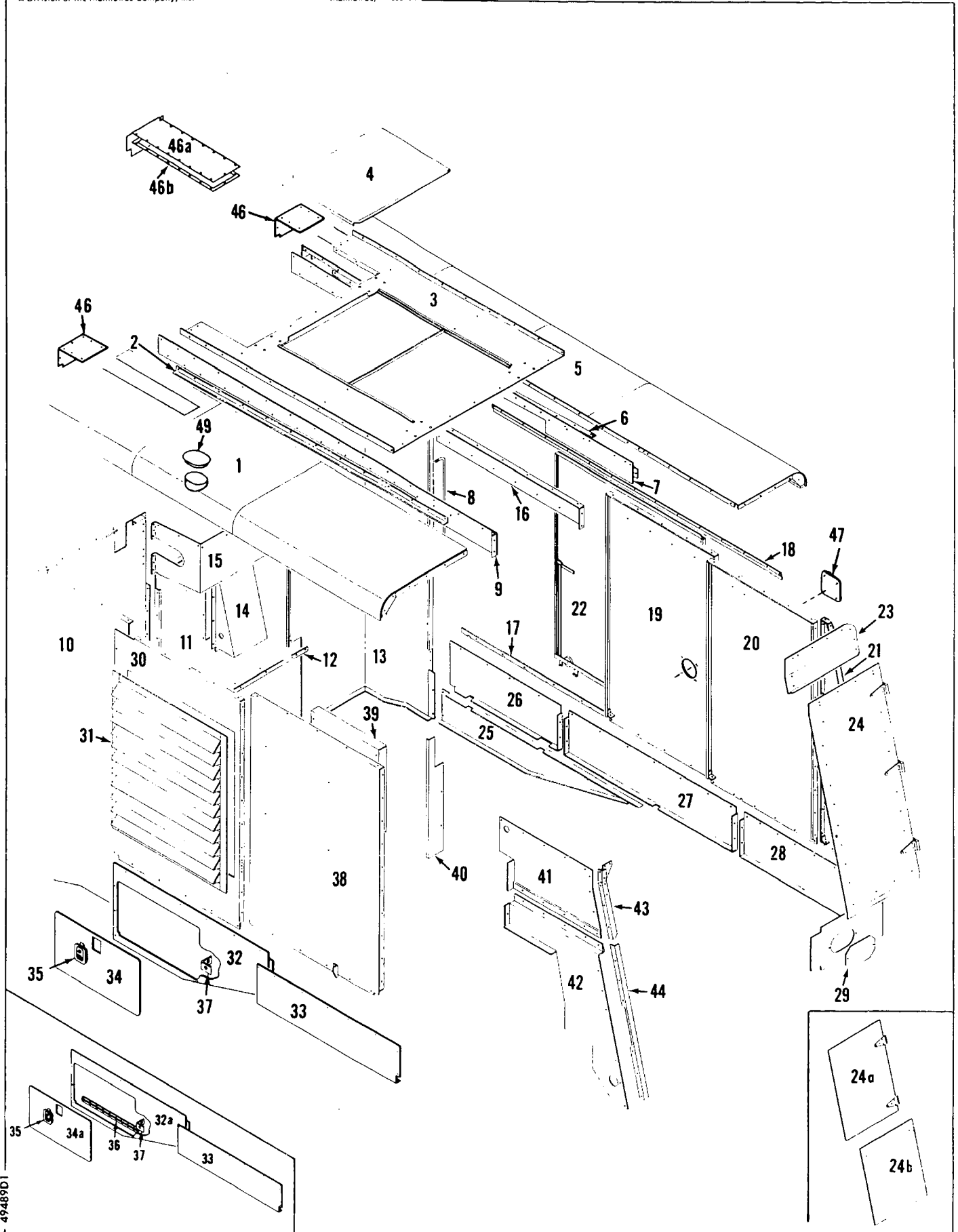
MATERIAL LIST ON BACK

GUARDS

MANITOWOC ENGINEERING CO.

A Division of The Manitowoc Company, Inc.

Manitowoc, Wisconsin



49489D1

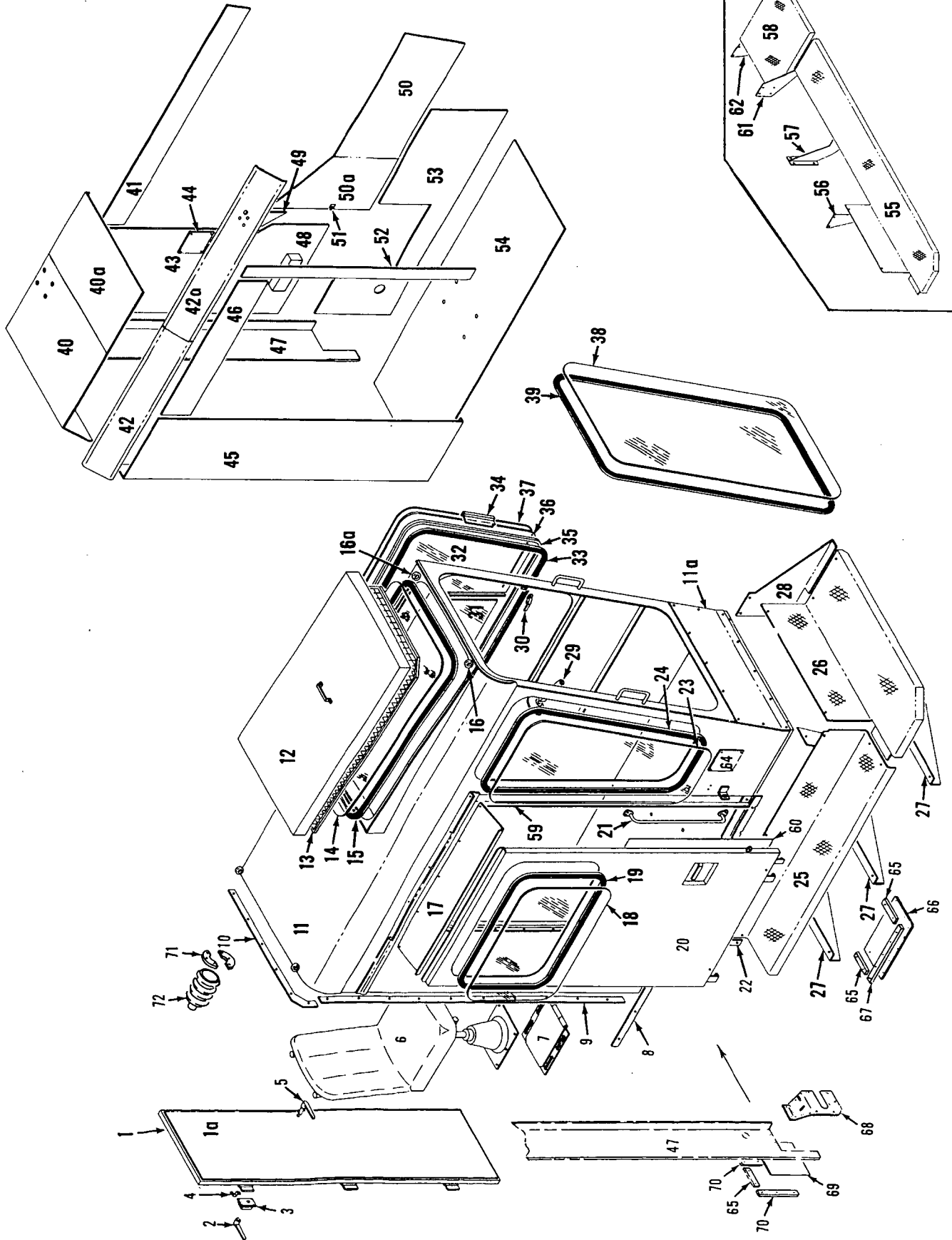
MATERIAL LIST ON BACK

CAB

MANITOWOC ENGINEERING CO.

A Division of The Manitowoc Company, Inc.

Manitowoc, Wisconsin

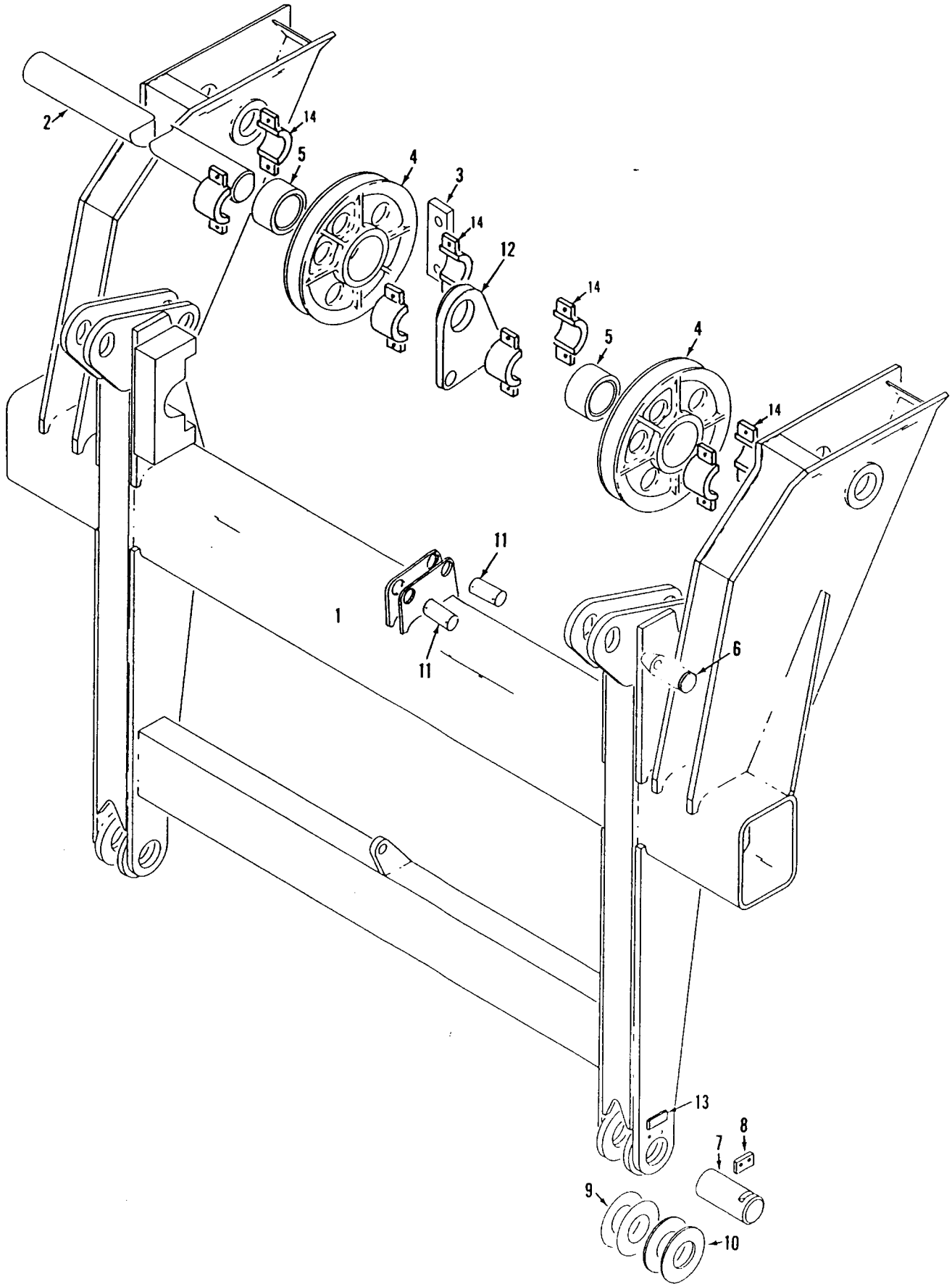


MASTER

CAB

MATERIAL LIST ON BACK

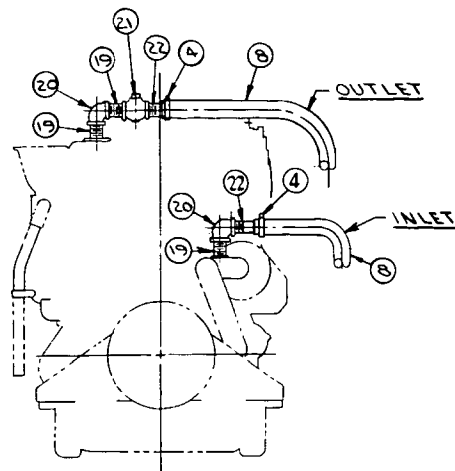
5076411



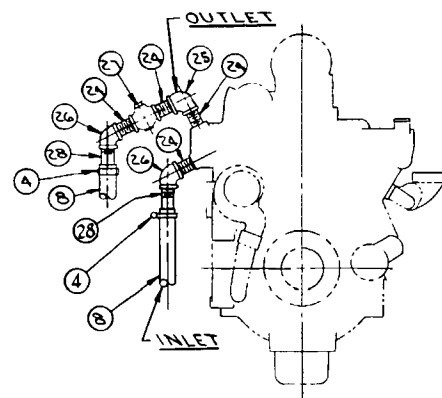
18085601

MATERIAL LIST ON BACK

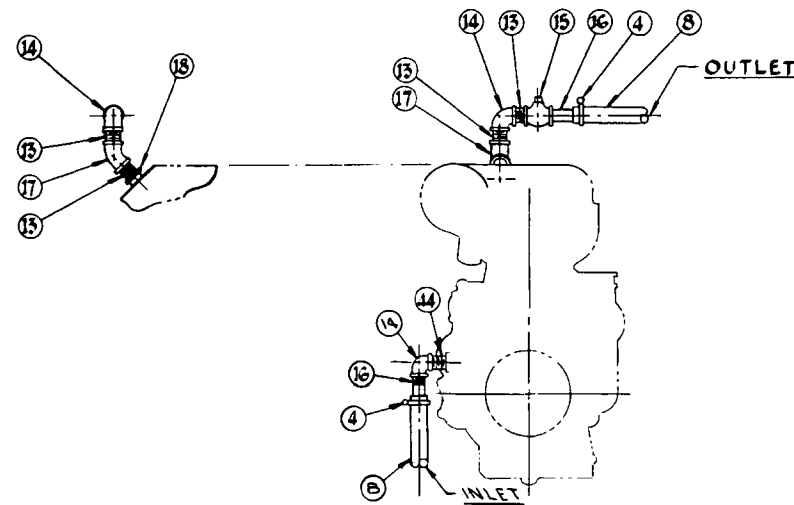
CAB REAR SUPPORT



PIPING FOR CATERPILLAR D-343 TA



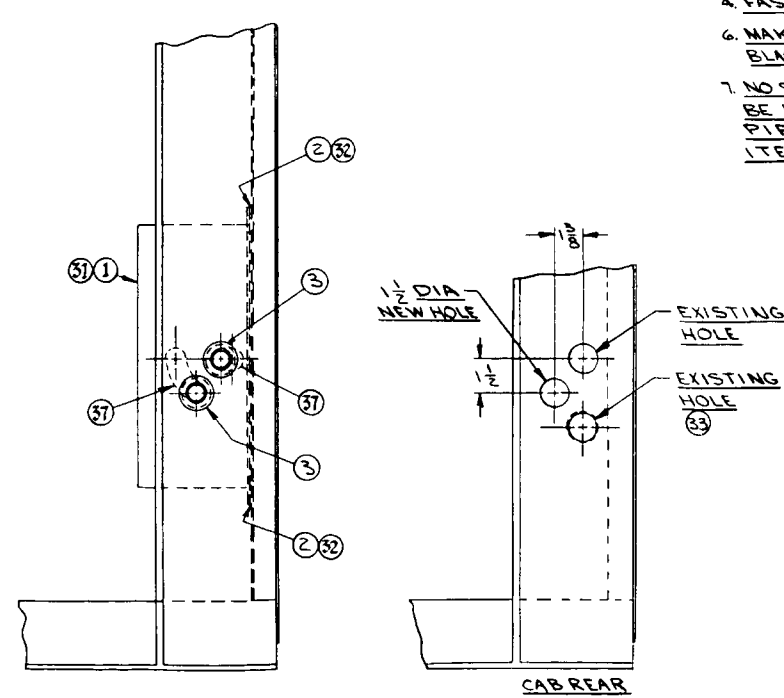
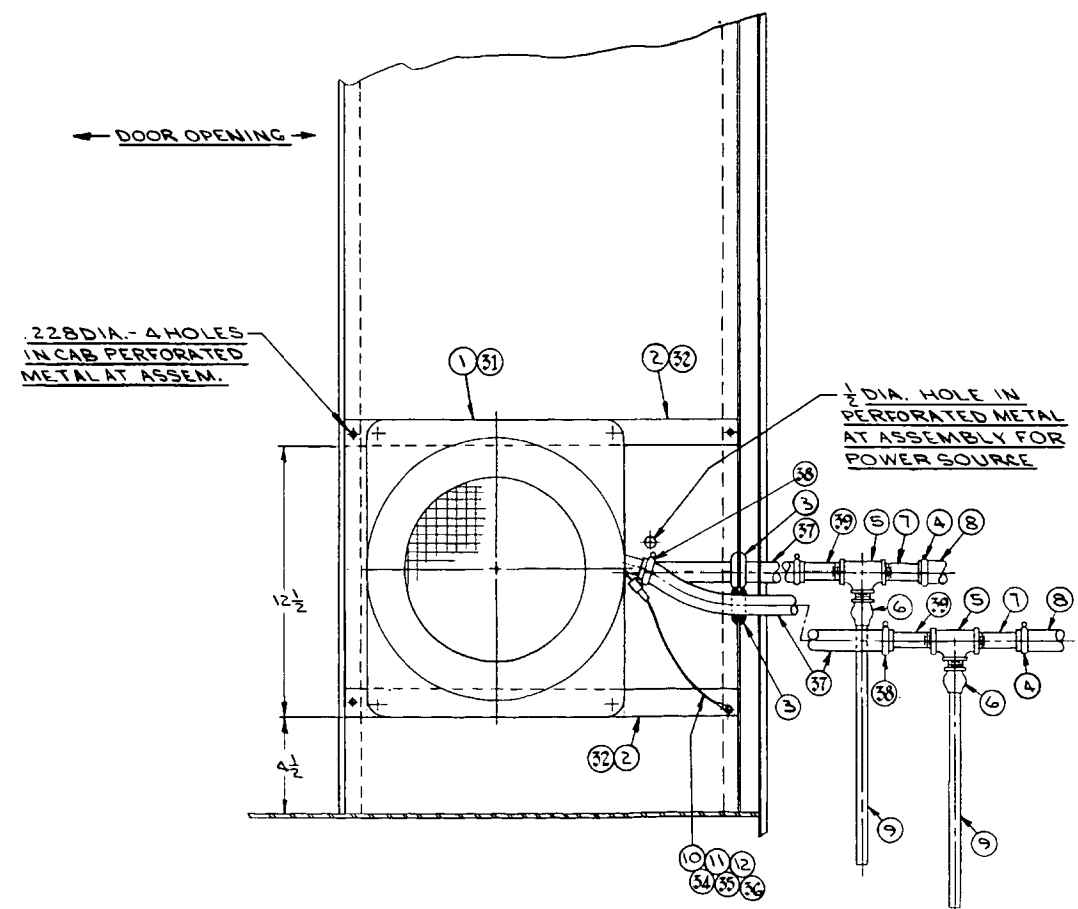
PIPING FOR GM 12-V71 SERIES



PIPING FOR CUMMINS NTA-855-C360

BILL OF MATERIAL							ASSEMBLER USED ON
ITEM NO.	QTY	DESCRIPTION	LENGTH FT. IN.	MATERIAL	CODE NO. OR DWG. NO.	REMARKS	
BASIC ITEMS FOR ALL HEATER ASSEM.							
1	1	KYSOR KH900 CAB HEATER		480027			
2	2	HEATER MOUNT. BRACKET		142879			
3	2	GROMMETS		472025			
4	4	HOSE CLAMP		345337			
5	2	1/2 X 3/8 X 1/8 TEE		679336			
6	2	3/8 PET COCK		355453			
7	2	1/2 X 3 PIPE (THD 1 END)		566120			
8	1	3/4 DIA. HEATER HOSE		485505			
9	1	3/8 PLASTIC HOSE		4858AA			
10	1	*14 STRANDED CABLE GREEN		297088			
11	1	MALE CONNECTOR		364052			
12	1	TERMINAL		680541			
ITEMS FOR HEATER ASSEM WITH CUMMINS NTA-855-C360							
13	3	1/2 CLOSE NIPPLE		543404			
14	2	1/2 X 90° ELBOW		406953			
15	1	1/2 STEAM COCK		355004			
16	2	1/2 X 3 PIPE (THD 1 END)		566120			
17	1	1/2 X 45° ELBOW		406685			
18	1	3/4 X 1/2 RED. BUSHING		288753			
ITEMS FOR HEATER ASSEM WITH CATERPILLAR D-343 TA							
19	3	1/2 CLOSE NIPPLE		543404			
20	2	1/2 X 90° ELBOW		406953			
21	1	1/2 STEAM COCK		355004			
22	2	1/2 X 3 PIPE (THD 1 END)		566120			
23							
ITEMS FOR HEATER ASSEM WITH GM 12V71 SERIES							
24	4	1/2 CLOSE NIPPLE		543404			
25	1	1/2 X 90° ELBOW		406953			
26	2	1/2 X 45° ELBOW		406685			
27	1	1/2 STEAM COCK		355004			
28	2	1/2 X 3 PIPE (THD 1 END)		566120			
29							
30							
ITEMS REQ'D FOR FIELD CONVERSION TO HEATER 480027							
31	1	KYSOR KH 900 CAB HEATER		480027			
32	2	HEATER MOUNTING BRACKET		142879			
33	1	KNOCKOUT CLOSURE		350316			
34	1 FT	*14 STRANDED CABLE GREEN		296676			
35	1	MALE CONNECTOR		364052			
36	1	TERMINAL		680541			

ITEM NO.	QTY	DESCRIPTION	CODE NO.	REMARKS
L 37	2	3/8 I.D. HEATER HOSE	486348	
M 38	4	HOSE CLAMP	345336	
N 39	2	3/8 X 3 PIPE (THD ONE END)	566110	
40				
41				
42				
43				
U 44	1	1/2 X 3 1/2 NIPPLE	543519	FOR CUMMINS ENG. ONLY



HEATER MOUNTING INSTRUCTIONS:

- LOCATE HEATER MOUNTING BRACKETS (2) & MARK 1/2 DIA. HOLE FOR POWER SOURCE.
- BORE HOLES.
- PULL POWER SOURCE WIRE THRU PERFORATED METAL.
- FASTEN HEATER.
- MAKE CONNECTION WITH FAN MOTOR. BLACK LEAD TO GRD., RED LEAD TO POWER.
- NO STEAM OR STOP COCKS ARE TO BE INSTALLED IN THE HEATER PIPING SYSTEM OTHER THAN ITEMS 6, 15, 21 & 27 AS SHOWN.

DATE: 190115

NOTICE

THIS PRINT REMAINS THE PROPERTY OF
MANITOWOC ENGINEERING CO.

ALL INFORMATION CONTAINED HEREON IS CONFIDENTIAL. IT IS LOANED, SUBJECT TO RETURN UPON DEMAND, AND ON EXPRESS CONDITION THAT IT IS NOT TO BE COPIED OR USED DIRECTLY OR INDIRECTLY IN ANY WAY WHATSOEVER DETRIMENTAL TO OUR INTERESTS.

REDESIGNED AS 1902G8
 SUPERSEDES 180847

NONE OR FJZ DE SCHULTZ APP. RJS	DATE: 190115	MANITOWOC ENGINEERING CO. MANITOWOC, WISCONSIN MODEL: 4100W CAB HEATER ASSEMBLY	DATE: 3-17-75 PATTERN NO.: CODE NO.: DWG NO.: 190115
--	--------------	--	---

48332-1 Cont.	REV. F	MODEL 3950W, 4100W
---------------	--------	--------------------

MAIN DRIVE SHAFT

REF. NO.	PART NUMBER	QUANTITY REQUIRED	DESCRIPTION OF PART	VENDORS PART NO.		
39	225113	1	LOCKNUT			
40	10526	1	COVER, Bearing w/capscrews and lockwashers			
<p><u>NOTE 1:</u> Snap ring groove in support 182298 not used on this installation.</p> <p><u>NOTE 2:</u> Machines prior to 8-8-84 design change Ref. 14a was 12373, bolt w/elastic stop nut (9-7/16" long O.A.).</p>						
				<table border="1"> <tr> <td>REV. F</td> <td>48332 - 1</td> </tr> </table>	REV. F	48332 - 1
REV. F	48332 - 1					

PLEASE GIVE MACHINE S/N W/ORDER

CPT

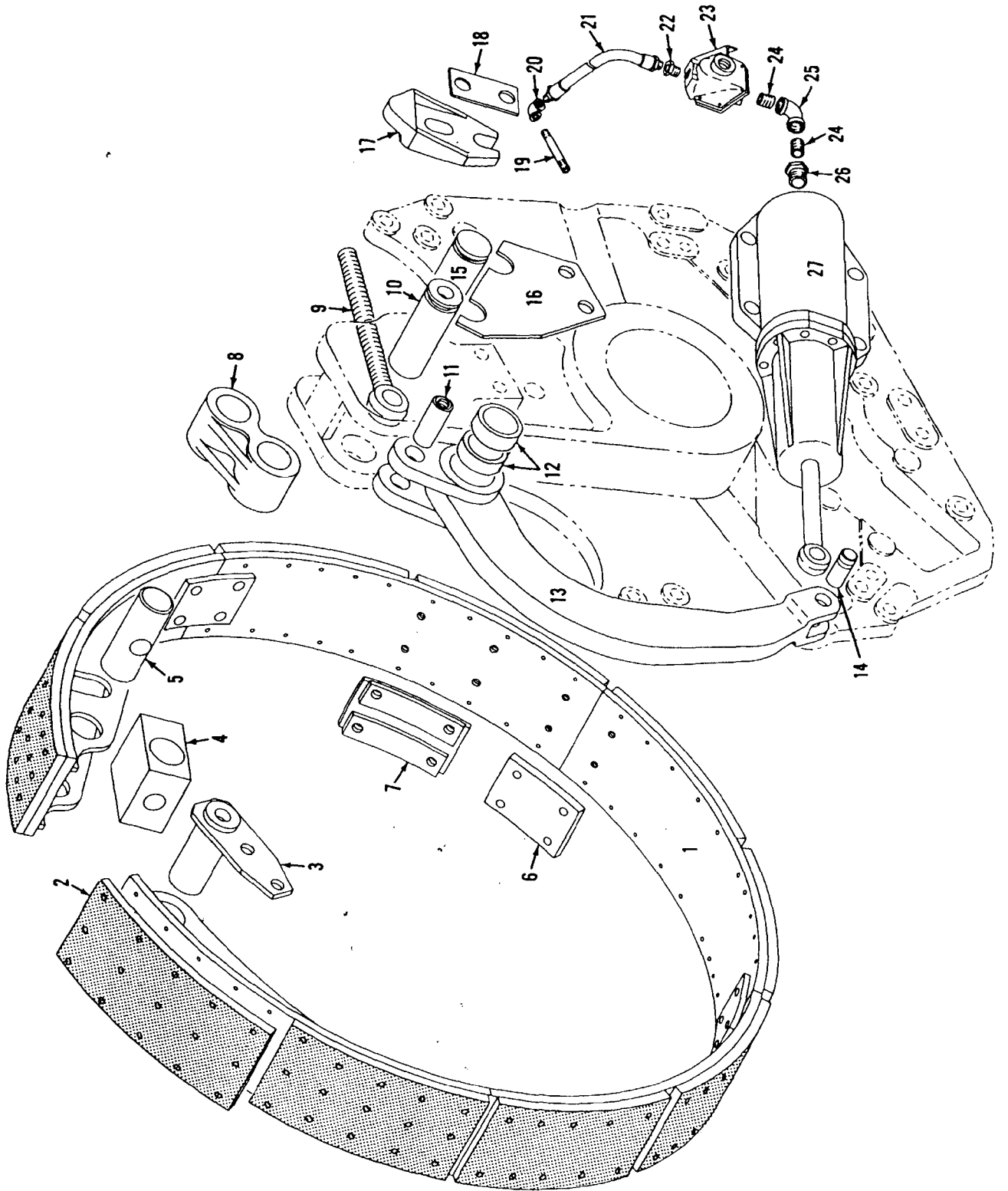
Run as a Front

48332 Front.

MANITOWOC ENGINEERING CO.

A Division of The Manitowoc Company, Inc.

Manitowoc, Wisconsin



MASTER

4833482

4833482

MATERIAL LIST ON BACK

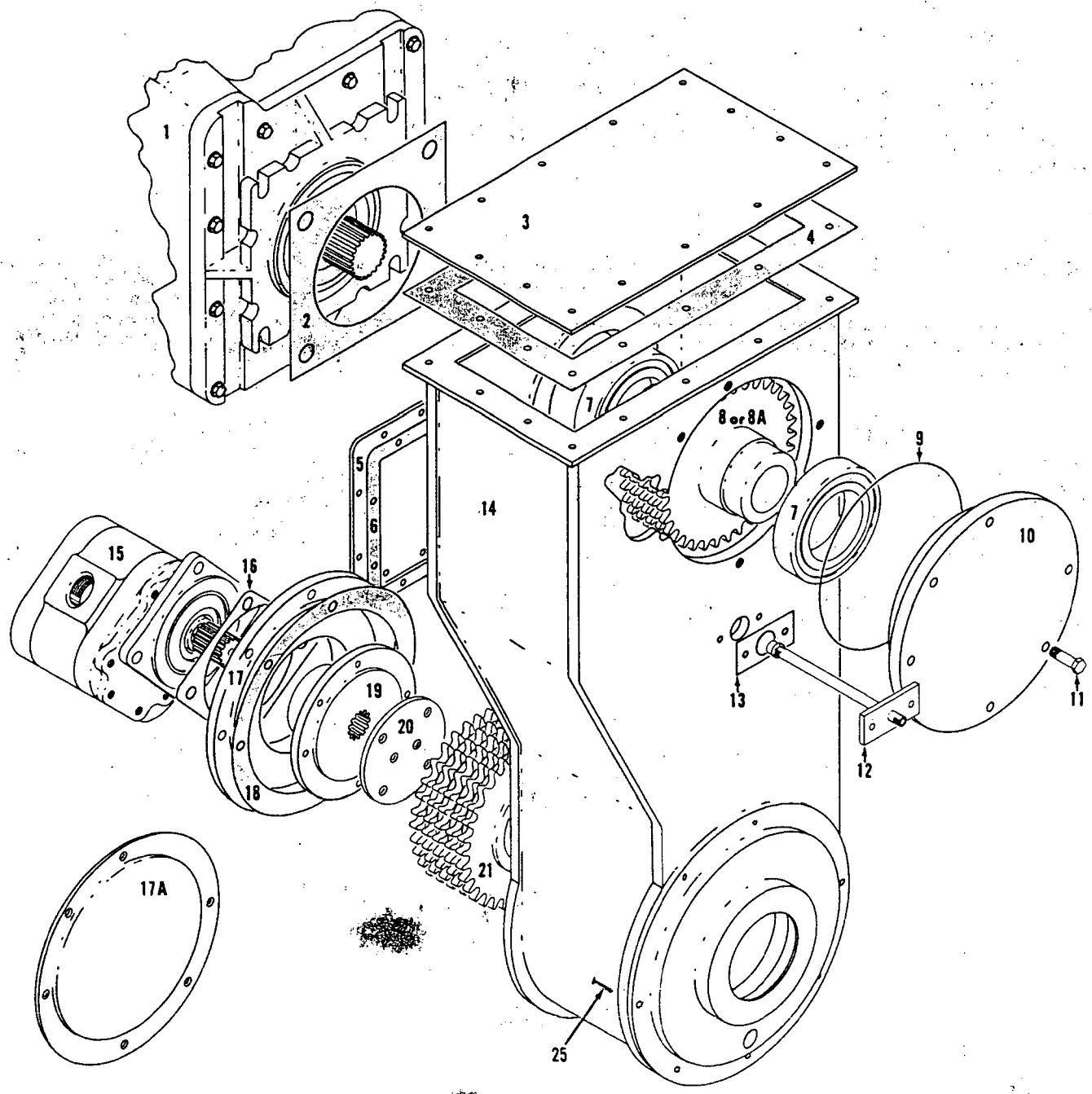
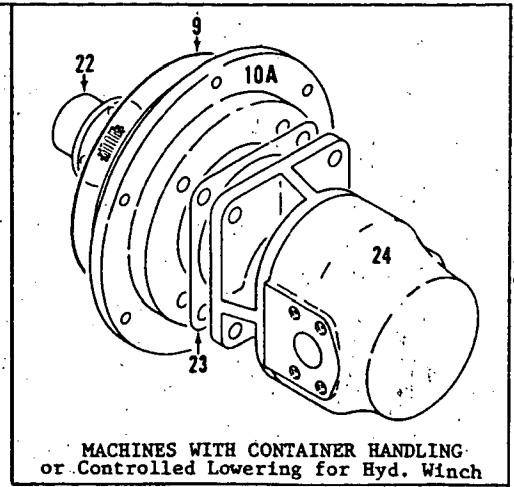
DRUM CLUTCH

MANITOWOC ENGINEERING CO.

A Division of The Manitowoc Company, Inc.

Manitowoc, Wisconsin

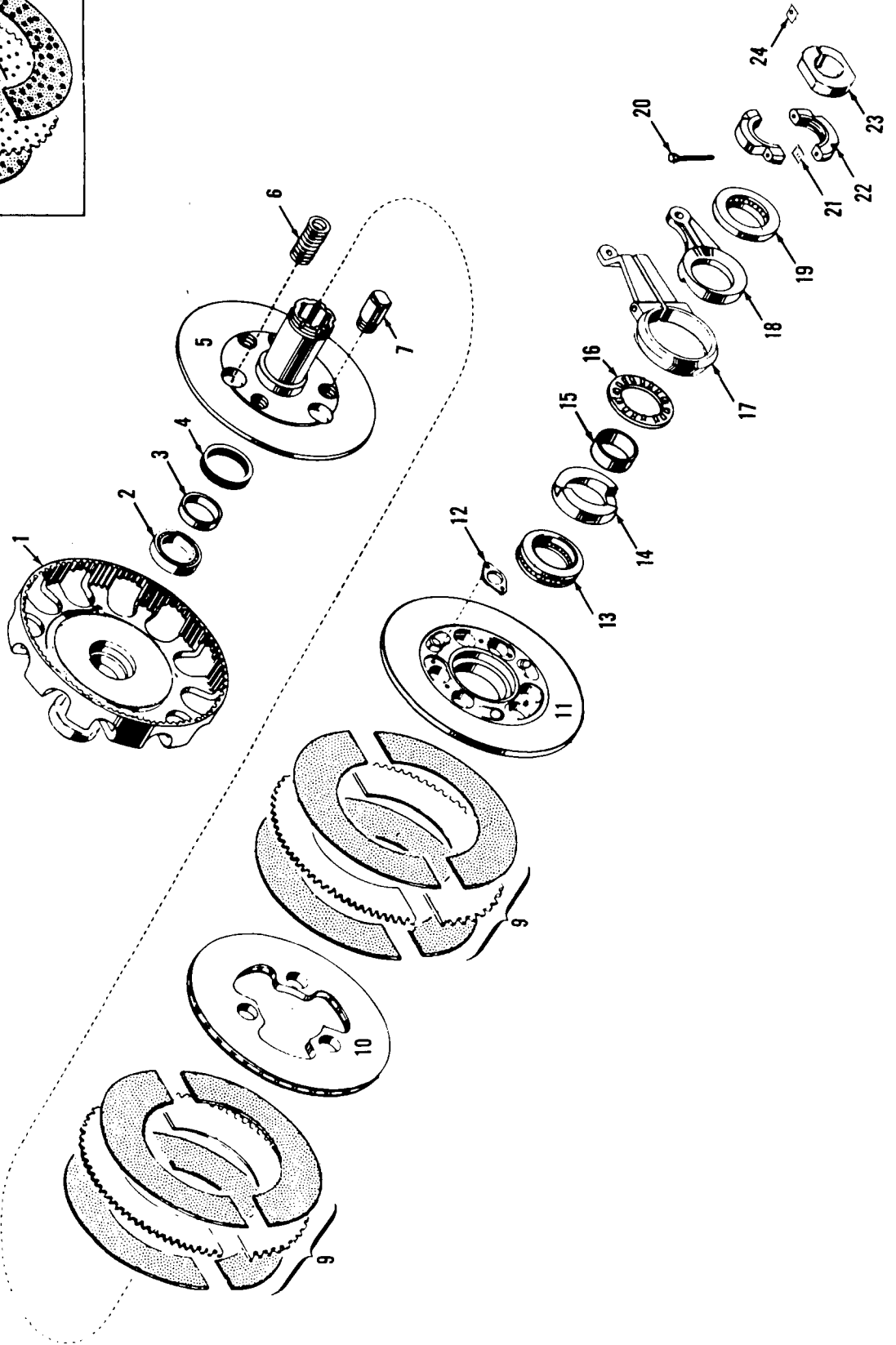
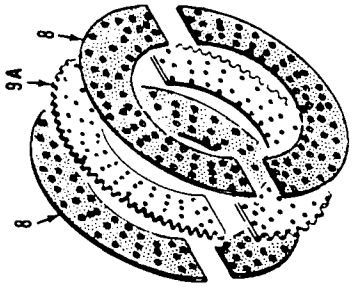
MANITOWOC



48639C1

MATERIAL LIST ON BACK

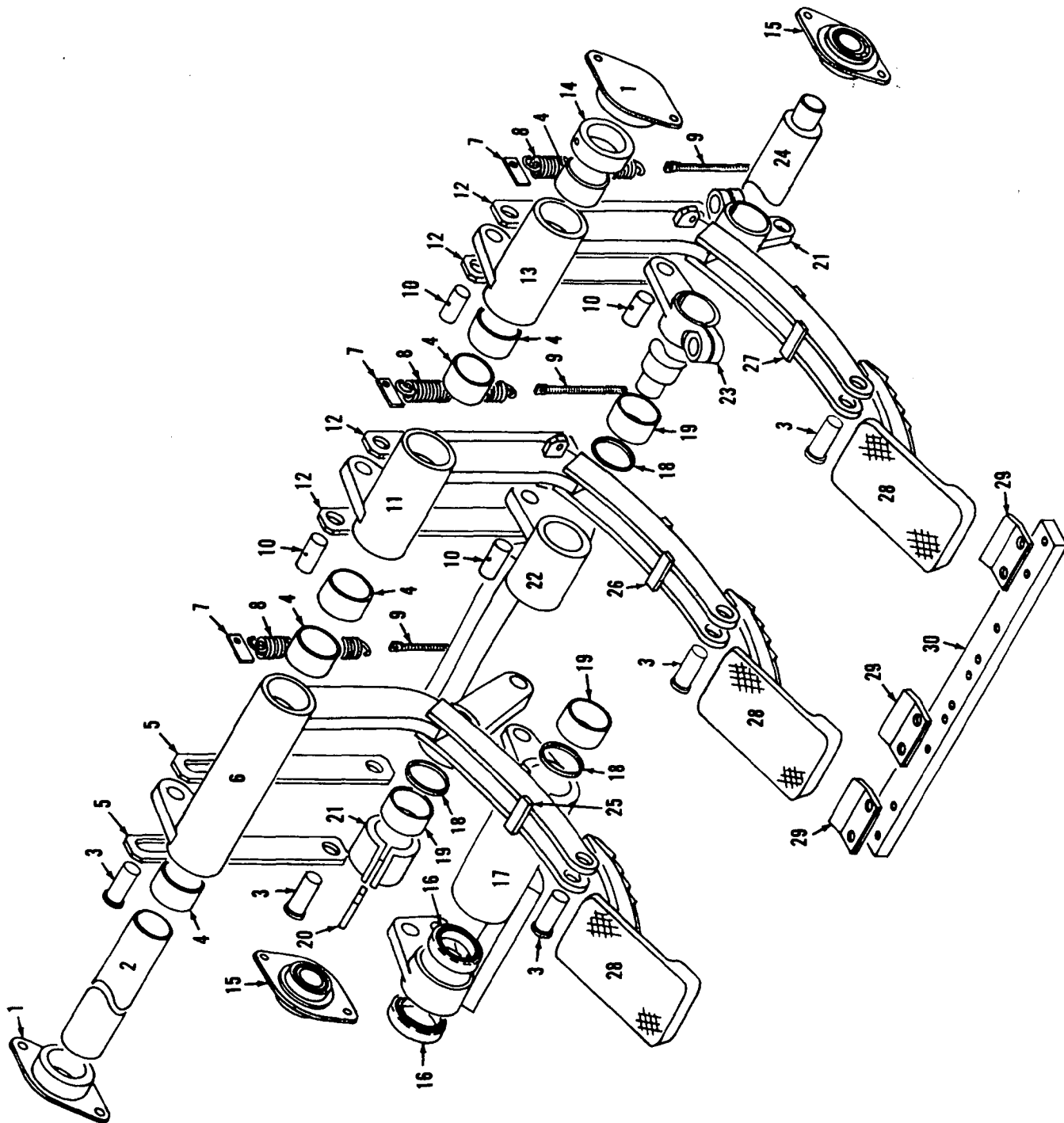
HYDRAULIC PUMP DRIVE



190062A2

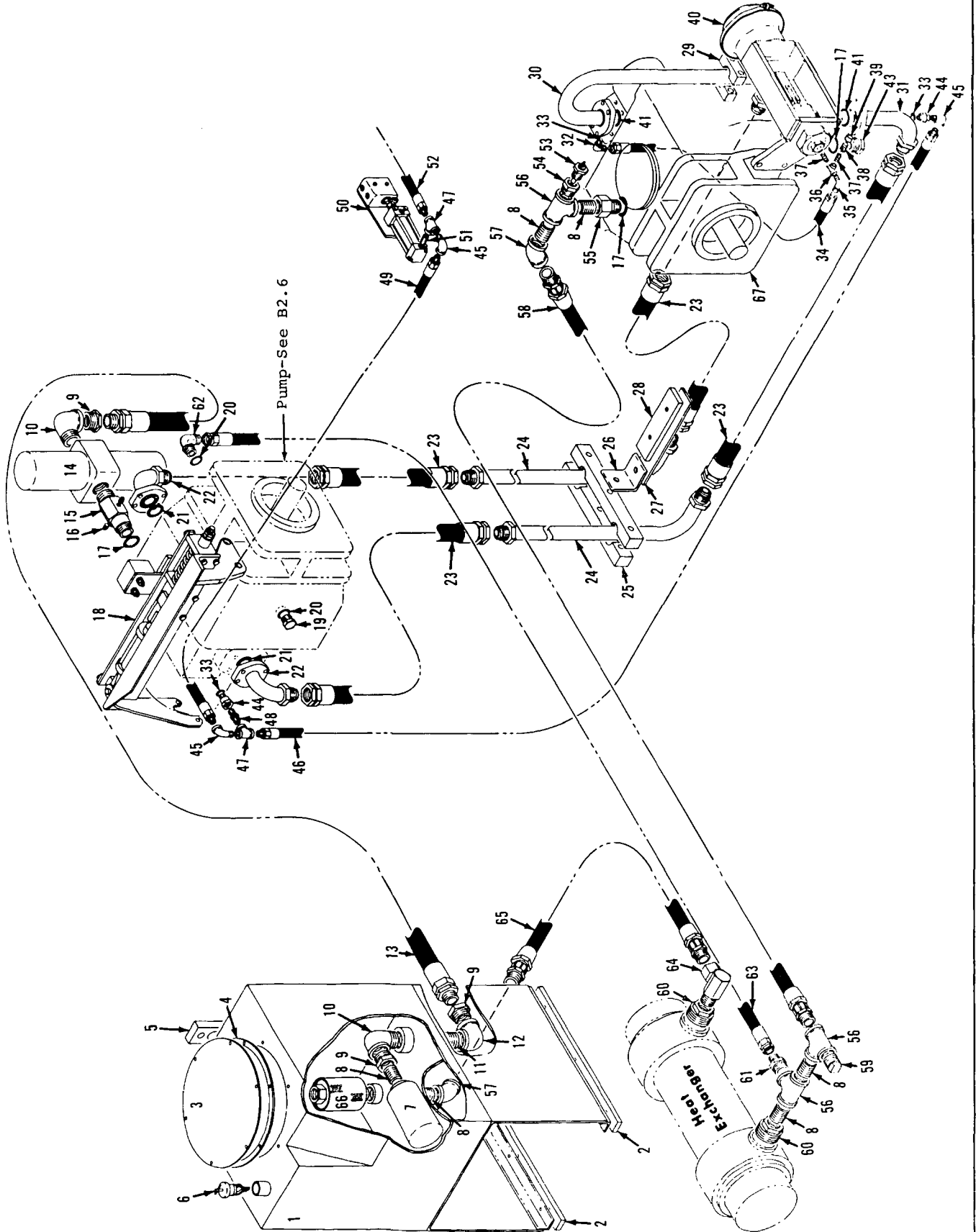
MATERIAL LIST ON BACK

IND. SWING CLUTCH



Master

MANITOWOC



6509781

MATERIAL LIST ON BACK

Boom Hoist Hyd. Piping

CPT

65930-1 Cont.	REV. F	MODEL 3950W, 4100W
---------------	--------	--------------------

BOOM HOIST WIRE ROPE SPOOLING INDICATOR
(SEE NOTE 2)

REF. NO.	PART NUMBER	QUANTITY REQUIRED	DESCRIPTION OF PART	VENDORS PART NO.
42	96693	1	BRACKET w/mach. screws and lockwashers (See Note 2)	
43	96695	1	ARM, Left, Roller w/set screws (See Note 2)	
44	145412	1	NAMEPLATE	
45	146297	1	PAD, Mounting (3950W Only)	
			<u>Mach. w/out Electric Automatic Boom Hoist</u> (Delete Ref. Nos. 5, 6, 8, 9 and 44)	
51	371829	As Req.	CORD, Portable (#14-1 Type S0) (Specify Length)	
52	364155	2	CONNECTOR, Straight (1/2")	
53	268520	1	BOX, Electrical	
54	548555	3	NUT, Lock	
55	543194	1	NIPPLE, Close	
56	97784	1	BRACKET w/capscrews and lockwashers	
57	429621	2	CONNECTOR, Male (3/8" x 1/4")	
58	702608	1	SOLENOID (Normally Closed)	
59	146293	1	BRACKET	
60	146508	1	DECAL, Caution	
61	378630	1	COVER, Electrical Box	
			<u>NOTE 1:</u> Prior to design changes of Aug. 19, 1980, Ref. 36 was cylinder 385303.	
			<u>NOTE 2:</u> Machines equipped w/Spur Gear Boom Hoist, delete Cyl. Brackets 143908, Brackets 96693 and 96908, Roller Arms 96694 and 96695, and add -	
12	163492	1	ARM, Right Roller w/set screws	
22	163491	1	BRACKET w/machine screws and lockwashers	
34	163489	2	BRACKET, Cylinder	
42	163490	1	BRACKET w/machine screws and lockwashers	
43	163493	1	ARM, Left Roller w/set screws	

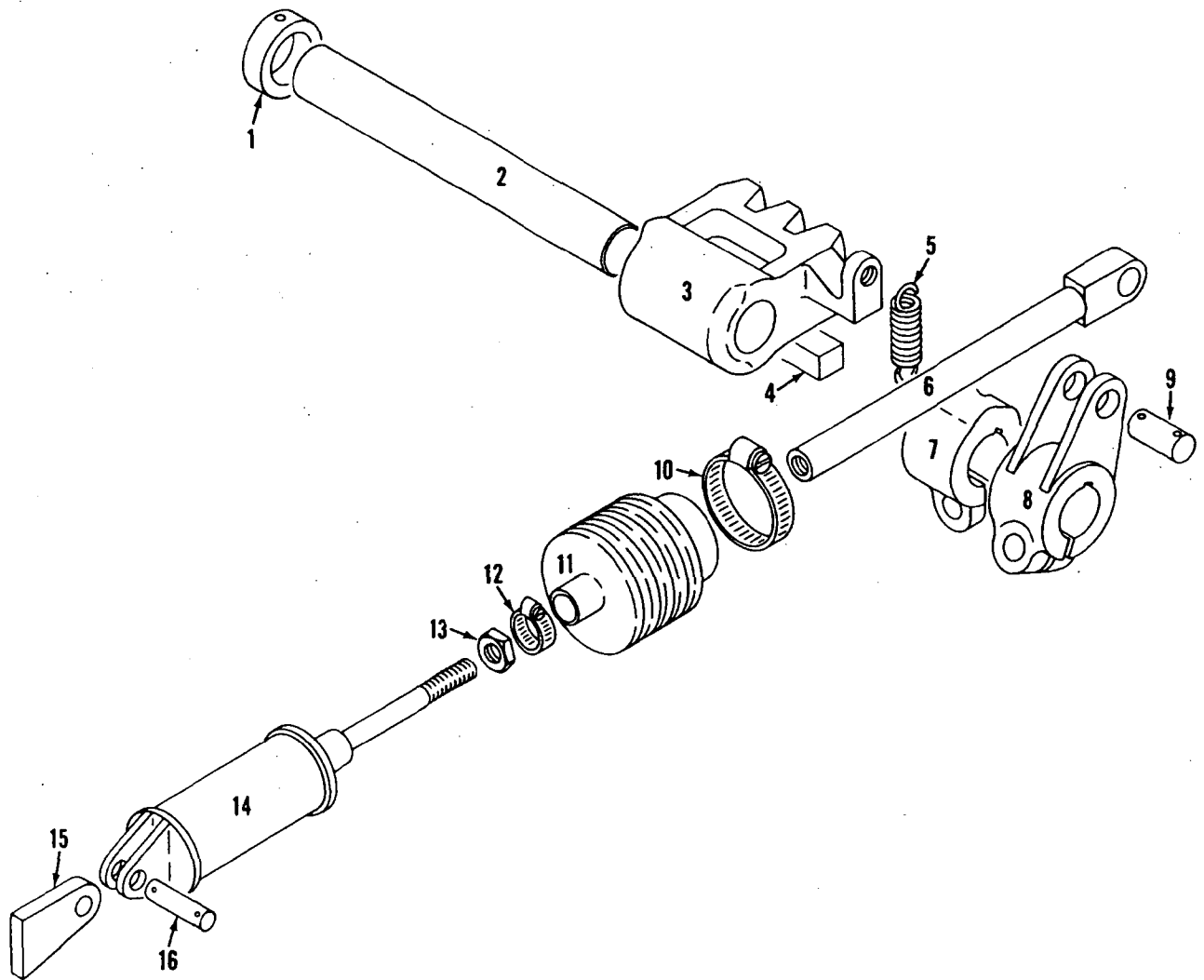
Run as Front

65930 F1

PLEASE GIVE MACHINE S/N W/ORDER

REV. F	65930 - 1
--------	-----------

MASTER



180760C1

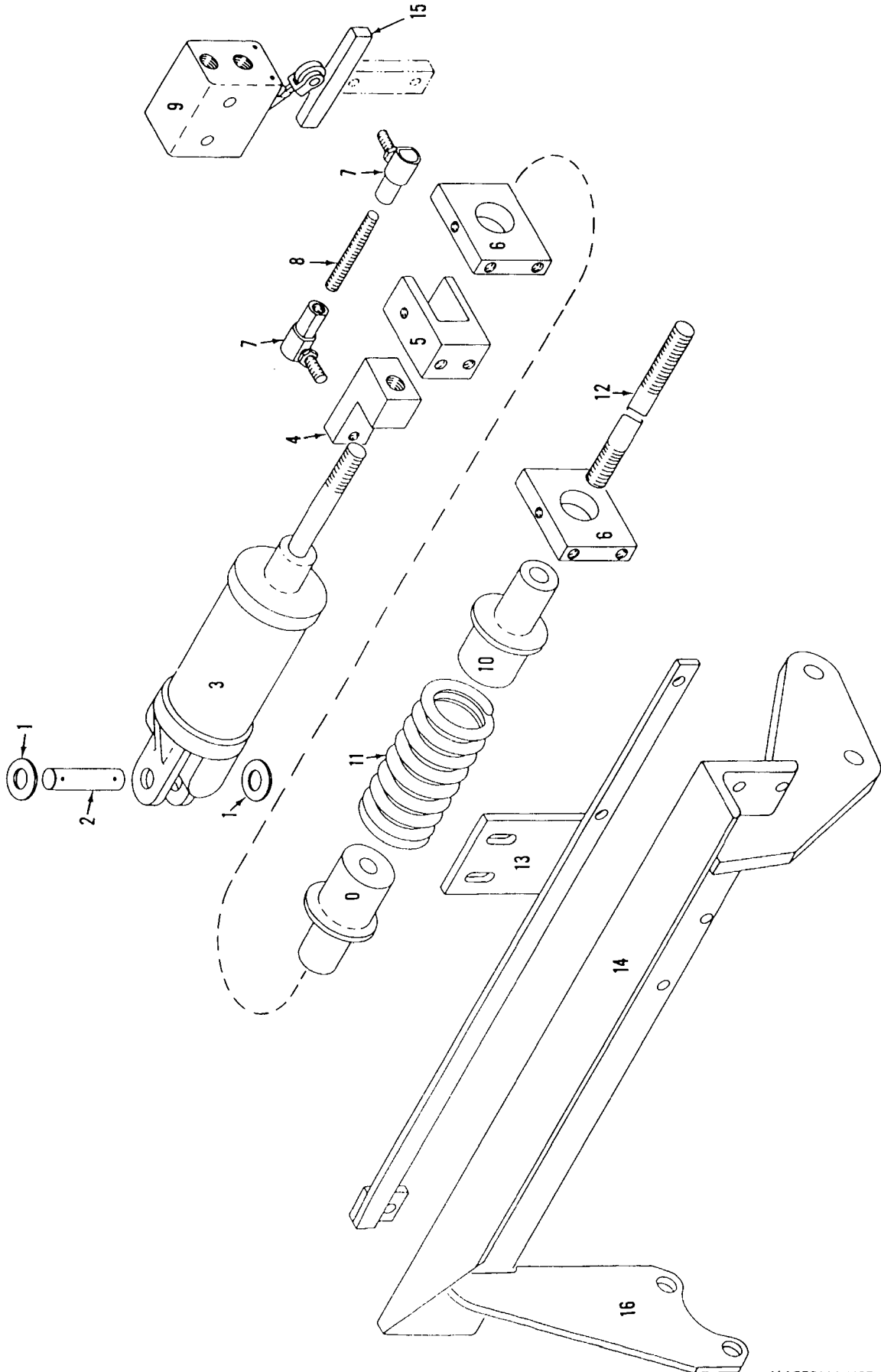
MATERIAL LIST ON BACK

SWING LOCK CONTROL

MANITOWOC ENGINEERING CO.

A Division of The Manitowoc Company, Inc.

Manitowoc, Wisconsin

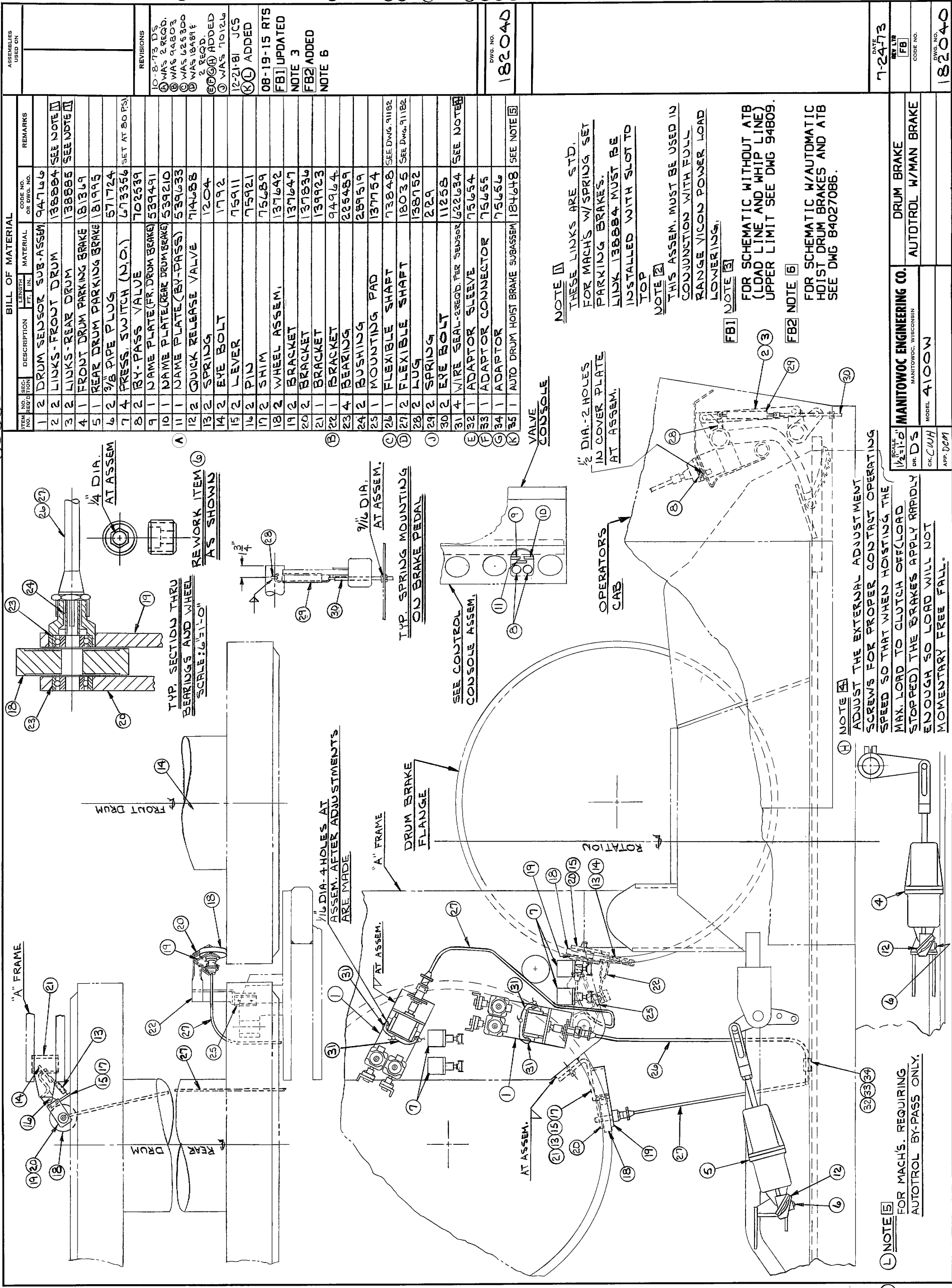


181002A1

MATERIAL LIST ON BACK

HYD. PUMP CONTROL

(K) (J) (I) (H) (G) (F) (E) (D) (C) (B) (A)



BILL OF MATERIAL		NO. OF REQ'D PARTS	DESCRIPTION	LENGTH FT.	IN.	MATERIAL	CODE NO. OF DWG. NO.	REMARKS
1	2		DRUM SENSOR SUB-ASSEM			947666		
2	2		LINKS-FRONT DRUM			138884	SEE NOTE [1]	
3	2		LINKS-REAR DRUM			138885	SEE NOTE [1]	
4	1		FRONT DRUM PARKING BRAKE			181369		
5	1		REAR DRUM PARKING BRAKE			181995		
6	2		3/8 PIPE PLUG			571724	SET AT 80 PSI	
7	4		PRESS. SWITCH (N.O.)			673356		
8	1		BY-PASS VALVE			702539		
9	1		NAME PLATE (FR. DRUM BRAKE)			539491		
10	1		NAME PLATE (REAR DRUM BRAKE)			539210		
11	1		NAME PLATE (BY-PASS)			539633		
12	2		QUICK RELEASE VALVE			714688		
13	2		SPRING			1204		
14	2		EYE BOLT			1792		
15	2		LEVER			75911		
16	2		PIN			75921		
17	2		SHIM			75689		
18	2		WHEEL ASSEM.			137642		
19	2		BRACKET			137647		
20	2		BRACKET			137836		
21	1		BRACKET			139923		
22	1		BRACKET			94964		
23	4		BEARING			225489		
24	2		BUSHING			259759		
25	1		MOUNTING PAD			137754		
26	1		FLEXIBLE SHAFT			73848	SEE DWG. 91182	
27	2		FLEXIBLE SHAFT			18035	SEE DWG. 91182	
28	2		LUG			138752		
29	2		SPRING			229		
30	2		EYE BOLT			11258		
31	4		WIRE SEAL-REGD. PER SENSOR			622634	SEE NOTE [5]	
32	1		ADAPTOR SLEEVE			75654		
33	1		ADAPTOR CONNECTOR			75655		
34	1		ADAPTOR			75656		
35	1		AUTO DRUM HOIST BRAKE SUBASSEM			184648	SEE NOTE [5]	

NOTE [1]
 THESE LINKS ARE STD. FOR MACHS W/SPRING SET PARKING BRAKES. LINK 138884 MUST BE INSTALLED WITH SLOT TO TOP

NOTE [2]
 THIS ASSEM. MUST BE USED IN CONJUNCTION WITH FULL RANGE YICON POWER LOAD LOWERING.

NOTE [3]
 FOR SCHEMATIC WITHOUT ATB (LOAD LINE AND WHIP LINE) UPPER LIMIT SEE DWG 94809.

NOTE [4]
 FOR SCHEMATIC W/AUTOMATIC HOIST DRUM BRAKES AND ATB SEE DWG 84027086.

ASSEMBLIES USED ON

REVISIONS

10-8-73 D'S
 (A) WAS 2 REQD.
 (B) WAS 94803
 (C) WAS 625300
 (D) WAS 18481 & 2 REQD.
 (E) (G) (H) ADDED
 (I) WAS 70126
 (J) (K) ADDED
 (L) 12-21-81 JCS
 (M) 08-19-15 RTS
 (N) FBI UPDATED
 (O) NOTE 3
 (P) FBI ADDED
 (Q) NOTE 6

DWG. NO. 182040

DATE 7-24-73
 REV. LTR FB
 CODE NO.
 DWG. NO. 182040

MANITOWOC ENGINEERING CO.
 MANITOWOC, WISCONSIN
 MODEL 4100W
 DR. D'S
 CK. CWH
 APP. DCM

SCALE 1/2"=1'-0"

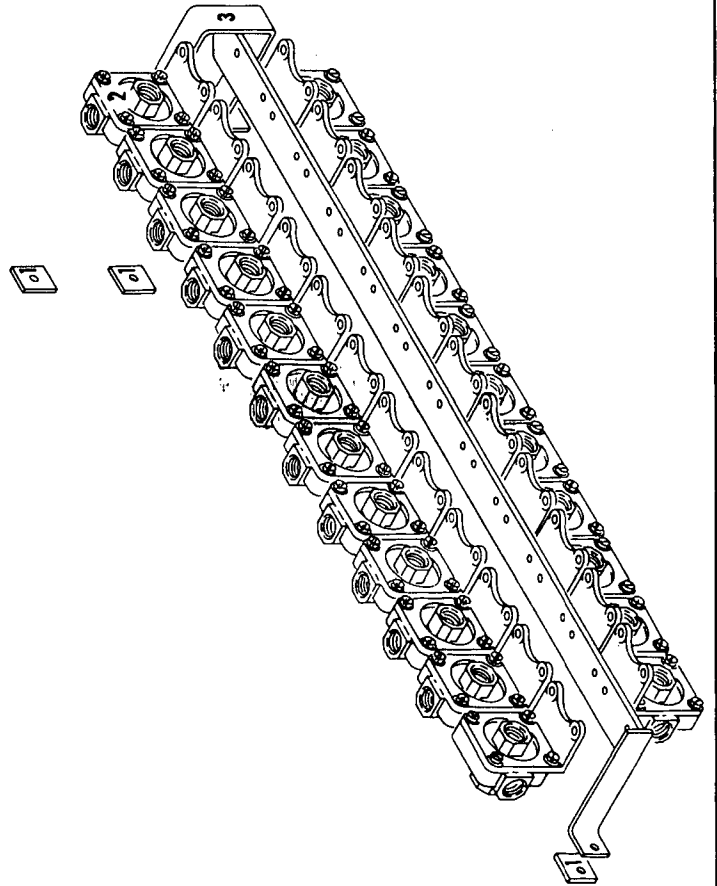
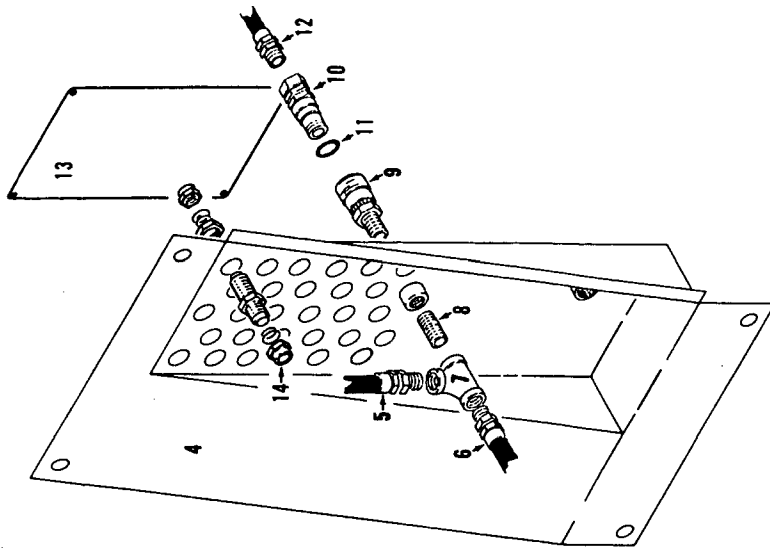
DO NOT SCALE THIS DRAWING

FB2FB1

MANITOWOC ENGINEERING CO.

A Division of The Manitowoc Company, Inc.

Manitowoc, Wisconsin



MASTER

50770C2

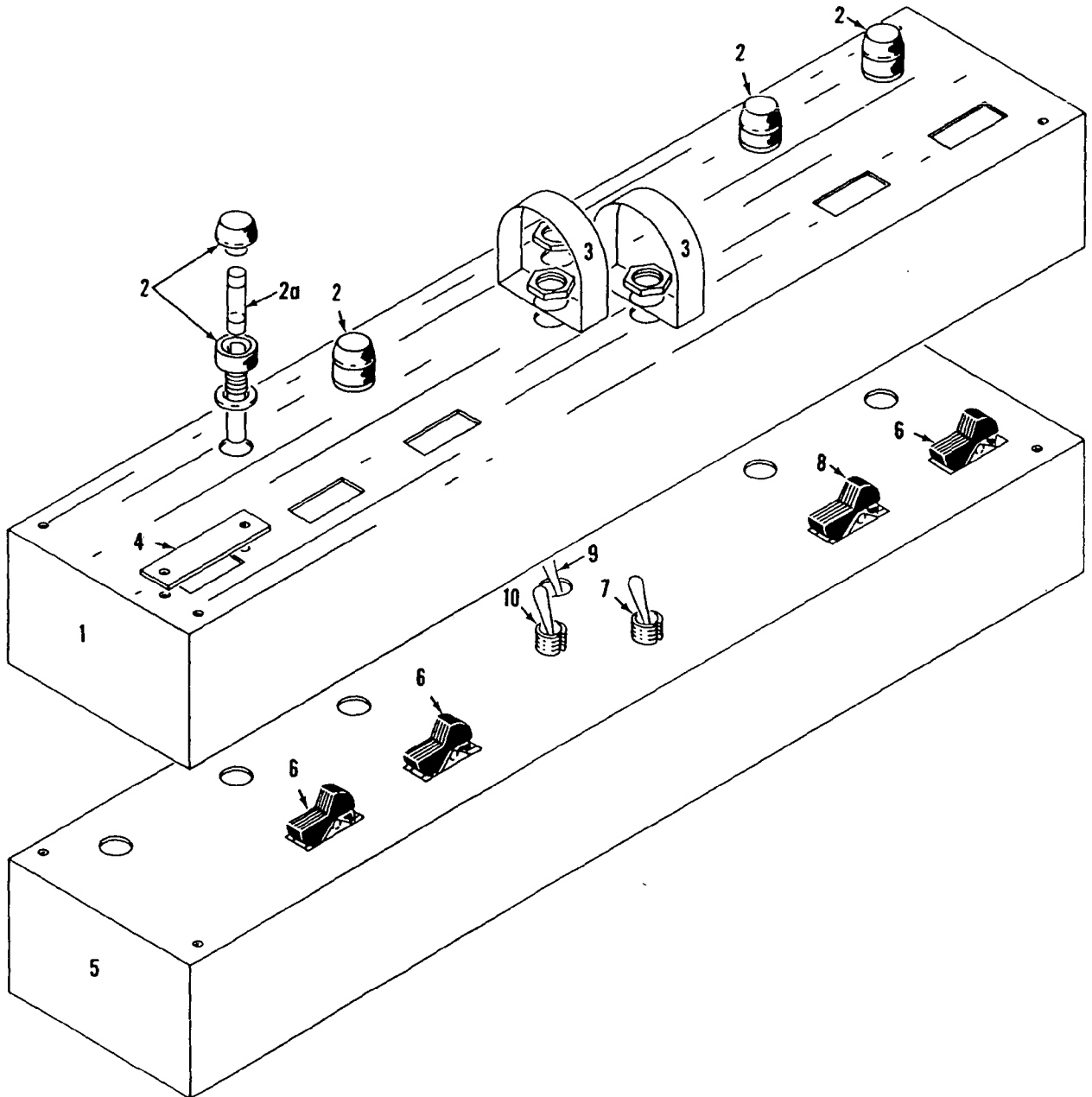
MATERIAL LIST ON BACK

HEADER BOARD

MANITOWOC ENGINEERING CO.

A Division of The Manitowoc Company, Inc.

Manitowoc, Wisconsin



1809

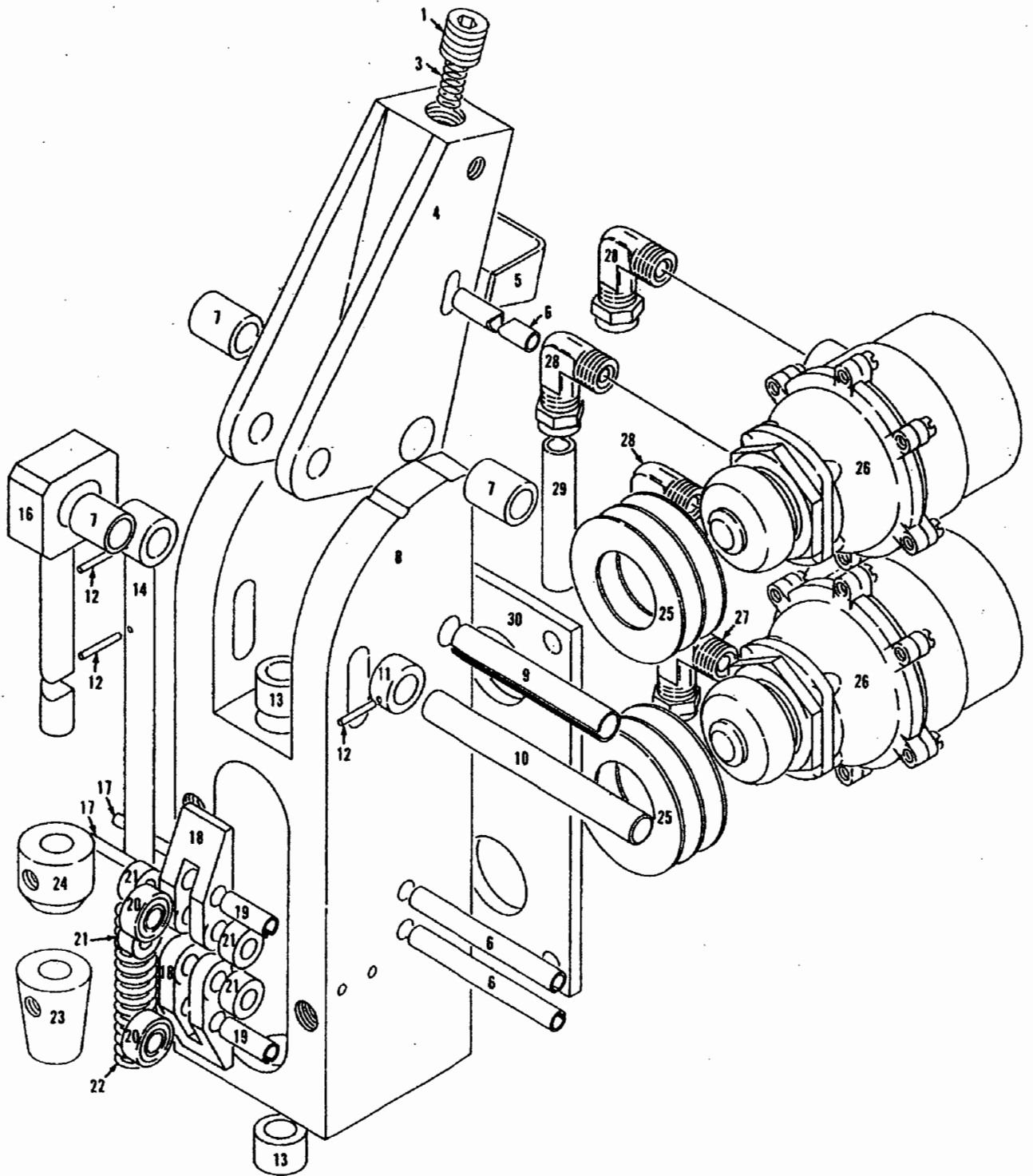
MATERIAL LIST ON BACK

SWITCH PANEL

MANITOWOC ENGINEERING CO.

A Division of The Manitowoc Company, Inc.

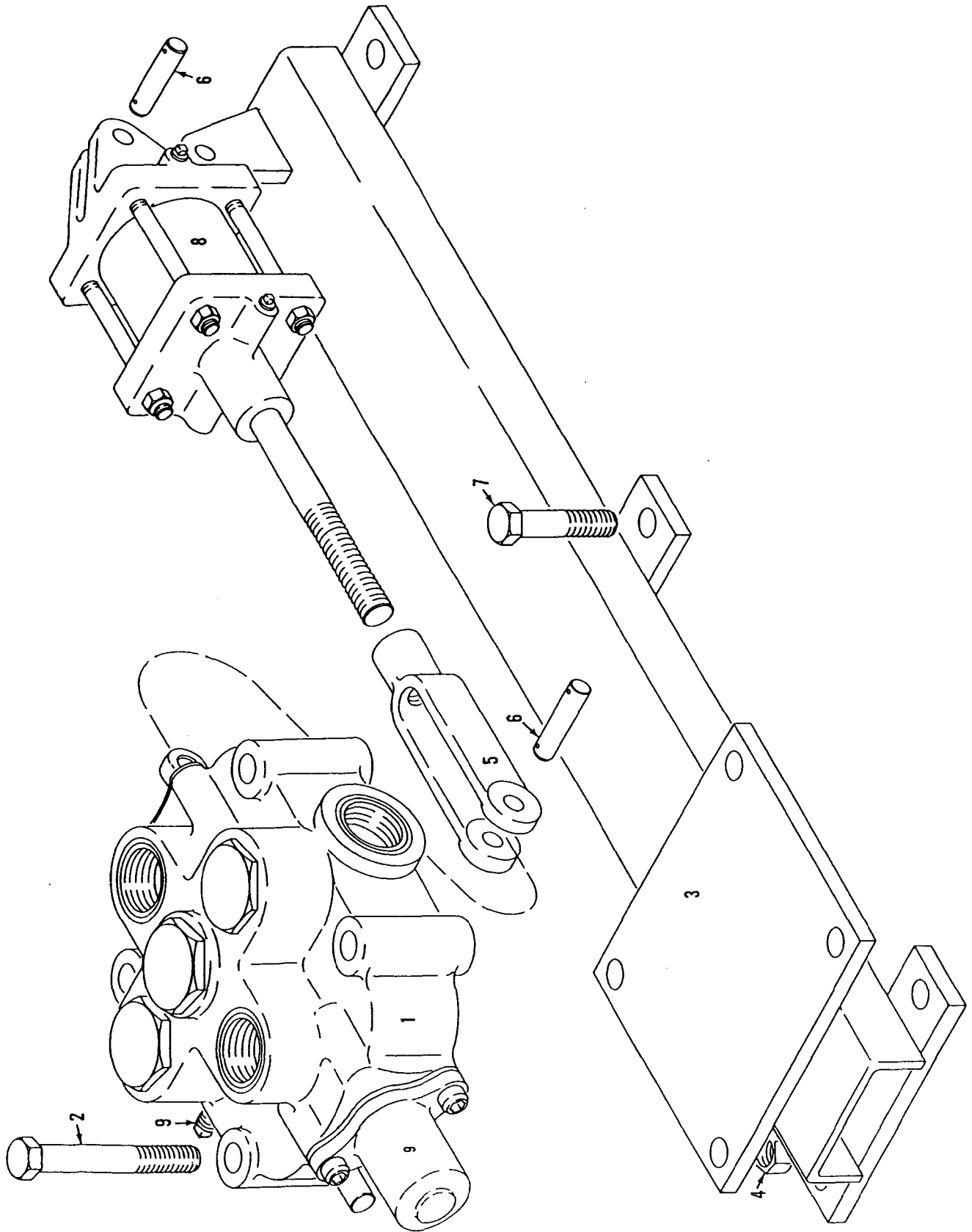
Manitowoc, Wisconsin



183210C1

MATERIAL LIST ON BACK

CONTROL VALVE



32986B1

MATERIAL LIST ON BACK

HYDRAULIC CONTROL VALVE

CLICK HERE TO **DOWNLOAD** THE COMPLETE MANUAL

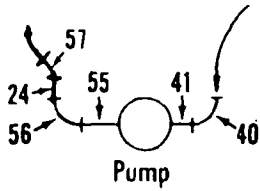
- Thank you very much for reading the preview of the manual.
- You can download the complete manual from: www.heydownloads.com by clicking the link below



- Please note: If there is no response to CLICKING the link, please download this PDF first and then click on it.

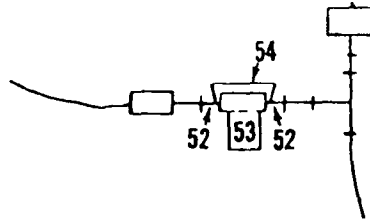
CLICK HERE TO **DOWNLOAD** THE COMPLETE MANUAL

Horizontally Mounted Pump



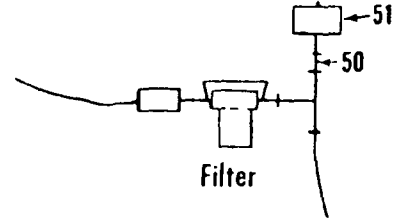
First on machine S. N. 41060

Filter w/1" Ports



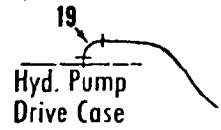
First on machine S.N. 41035

Electrical pressure sending unit

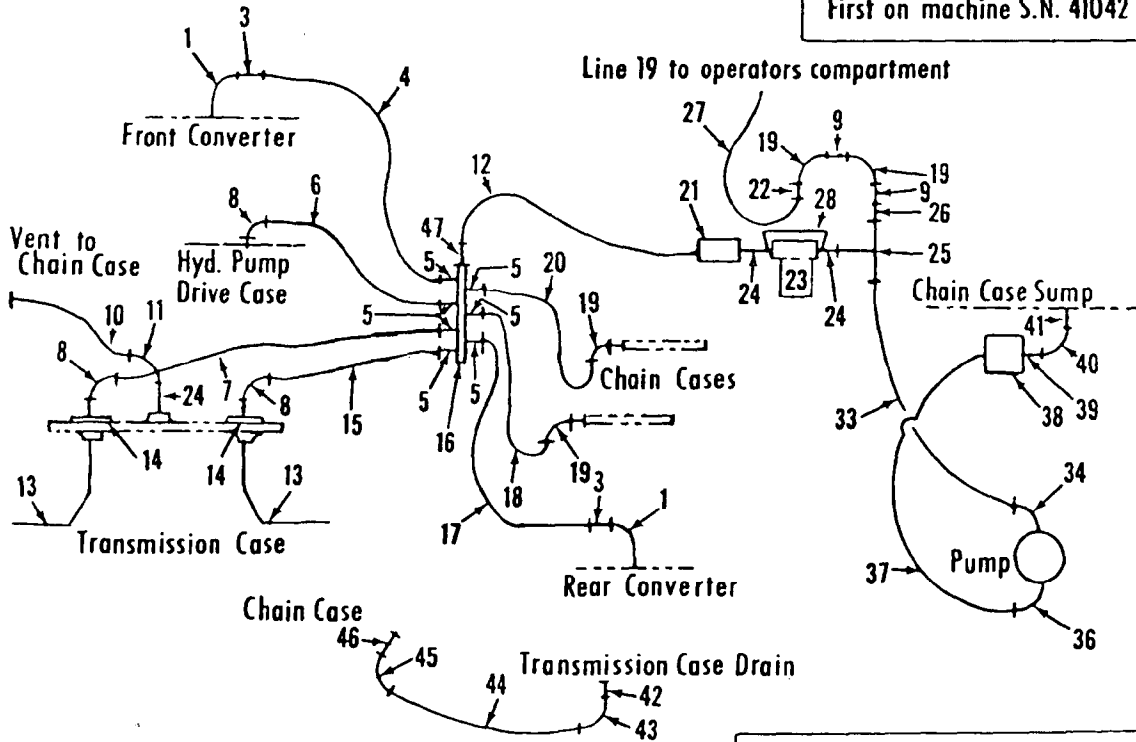


First on machine S.N. 41026

Drive Case w/ 1/4" Lubricator 138892

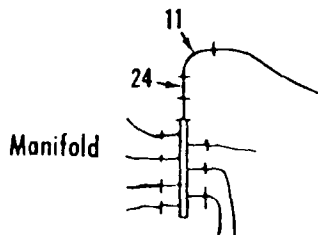


First on machine S.N. 41042

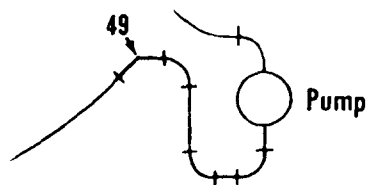


Line 19 to operators compartment

WASIER



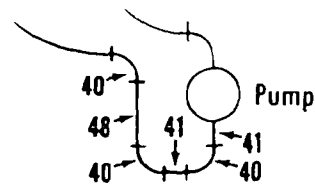
Manifold



Pump

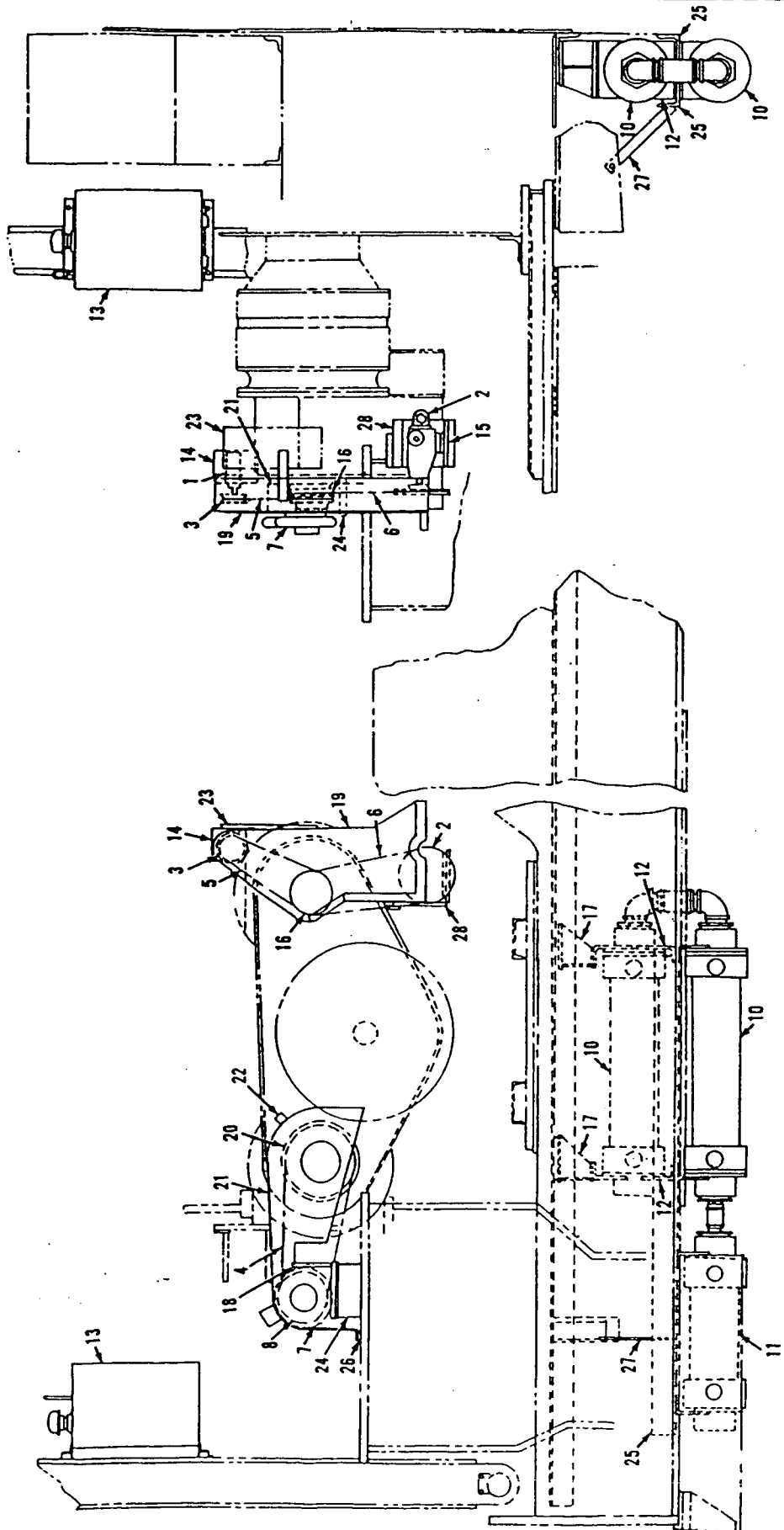
Machine w/ Full Range VICON Power Load Lowering
(first on machine S.N. 41027)

Vertically Mounted Pump w/Oil Trap



First on machine S.N. 41023

LUBRICATING PIPING



48738H

MATERIAL LIST ON BACK

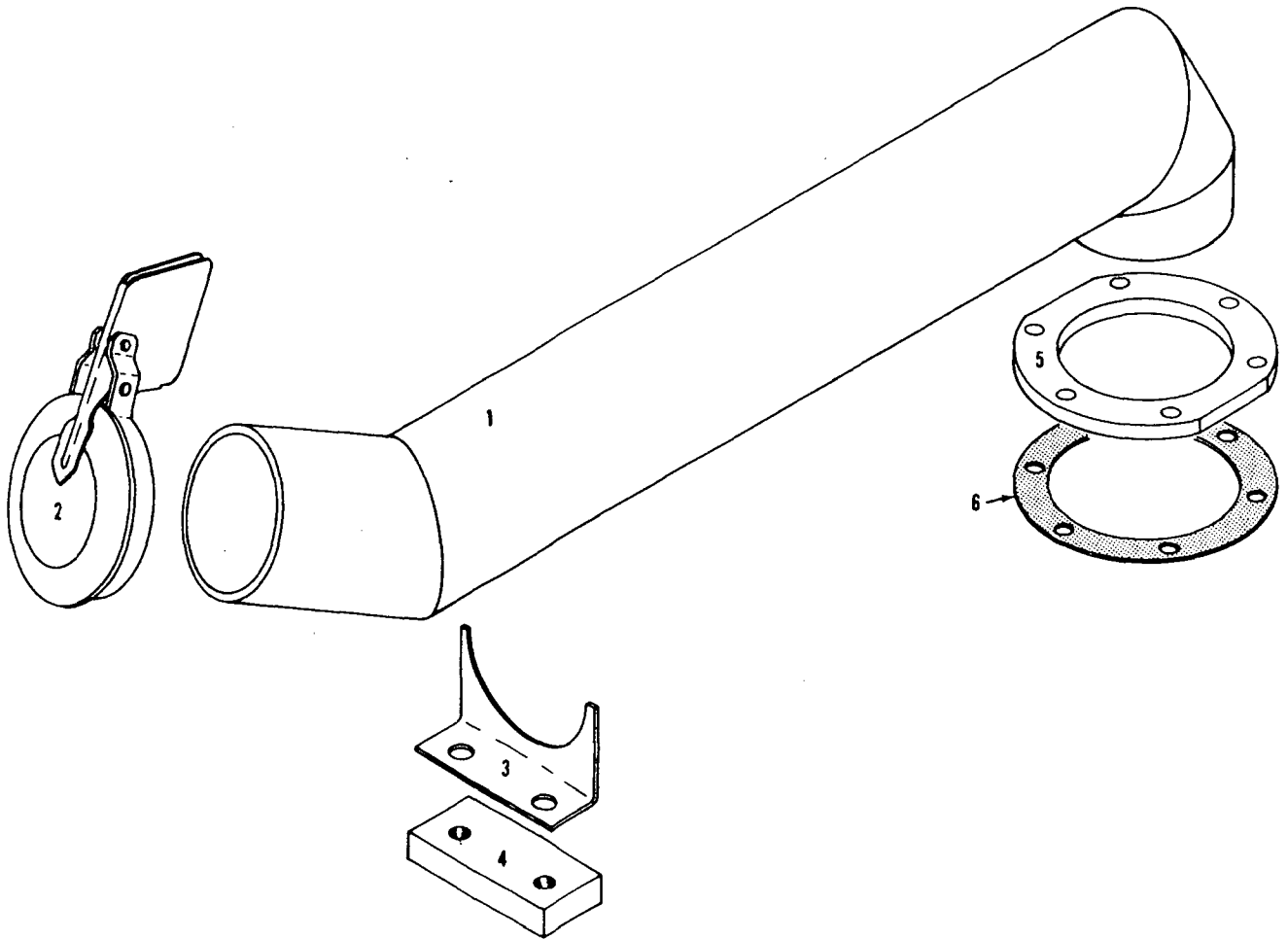
CONVERTER ACCESSORY COMPONENTS

MANITOWOC ENGINEERING CO.

A Division of The Manitowoc Company, Inc.

Manitowoc, Wisconsin

MASTER



44681 HI

94681A1

MATERIAL LIST ON BACK

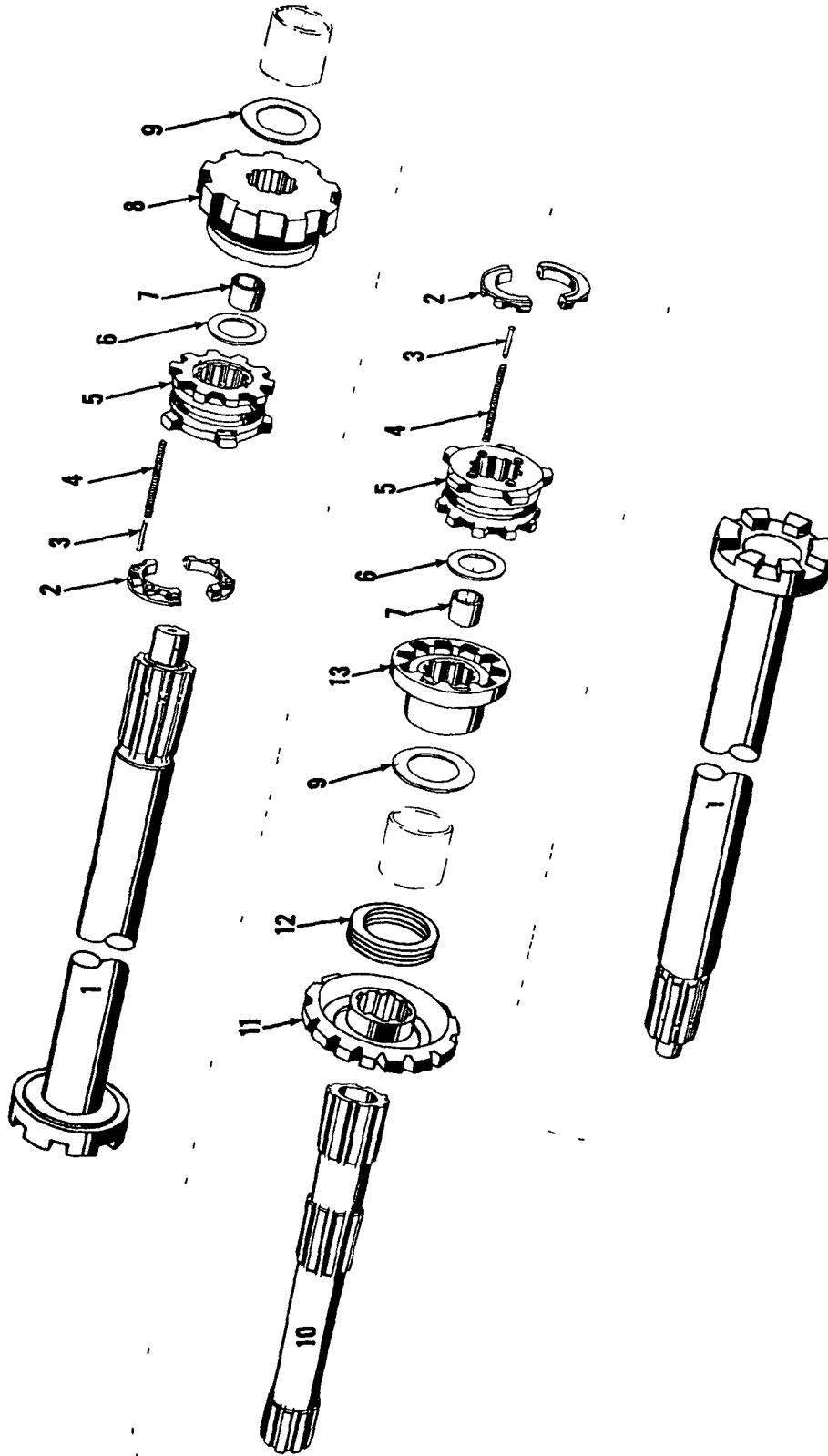
3287 A1

MASTER

MANITOWOC ENGINEERING CO

A Division of The Manitowoc Company Inc.

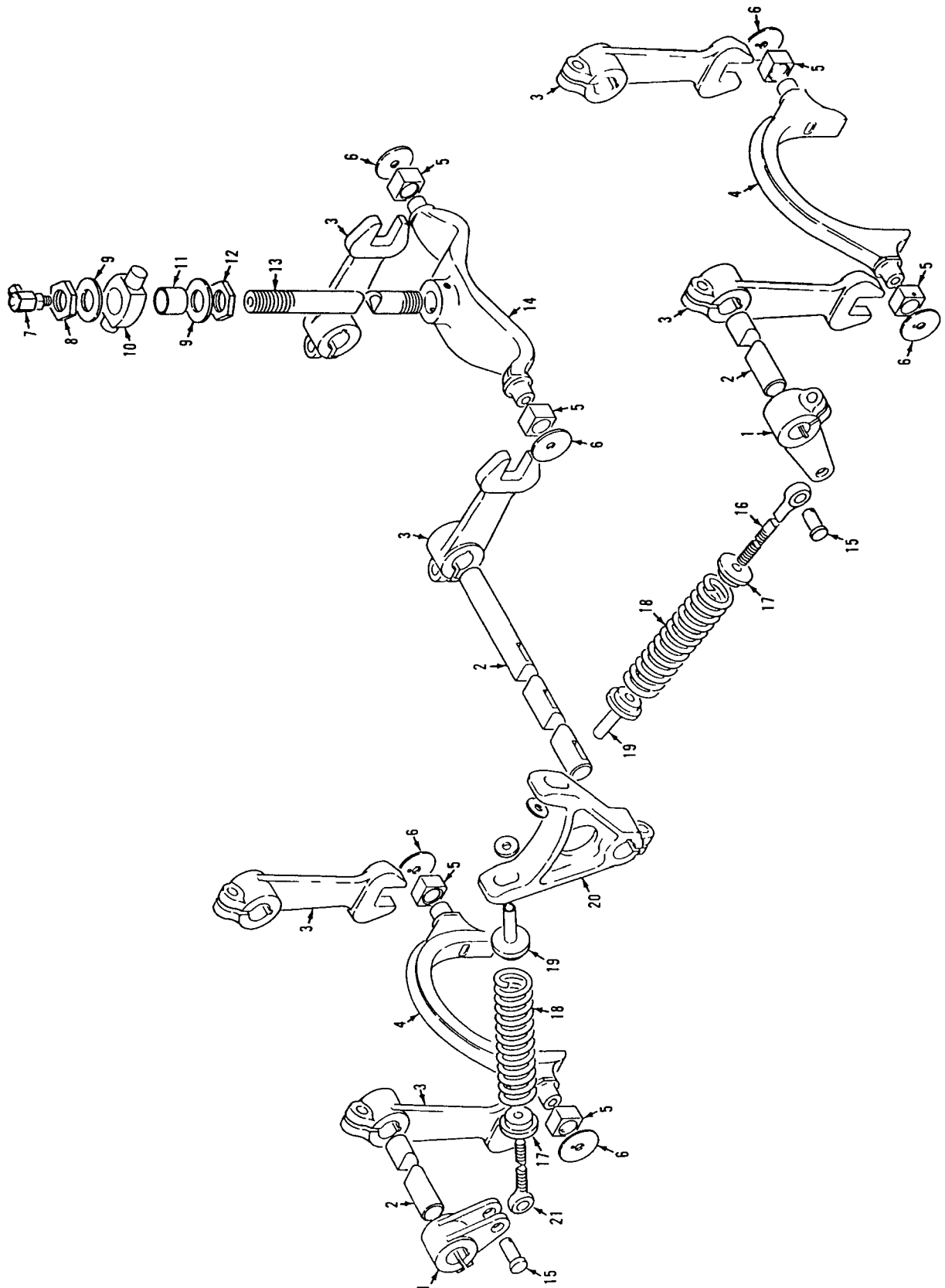
Manitowoc, Wisconsin



32907A1

MATERIAL LIST ON BACK

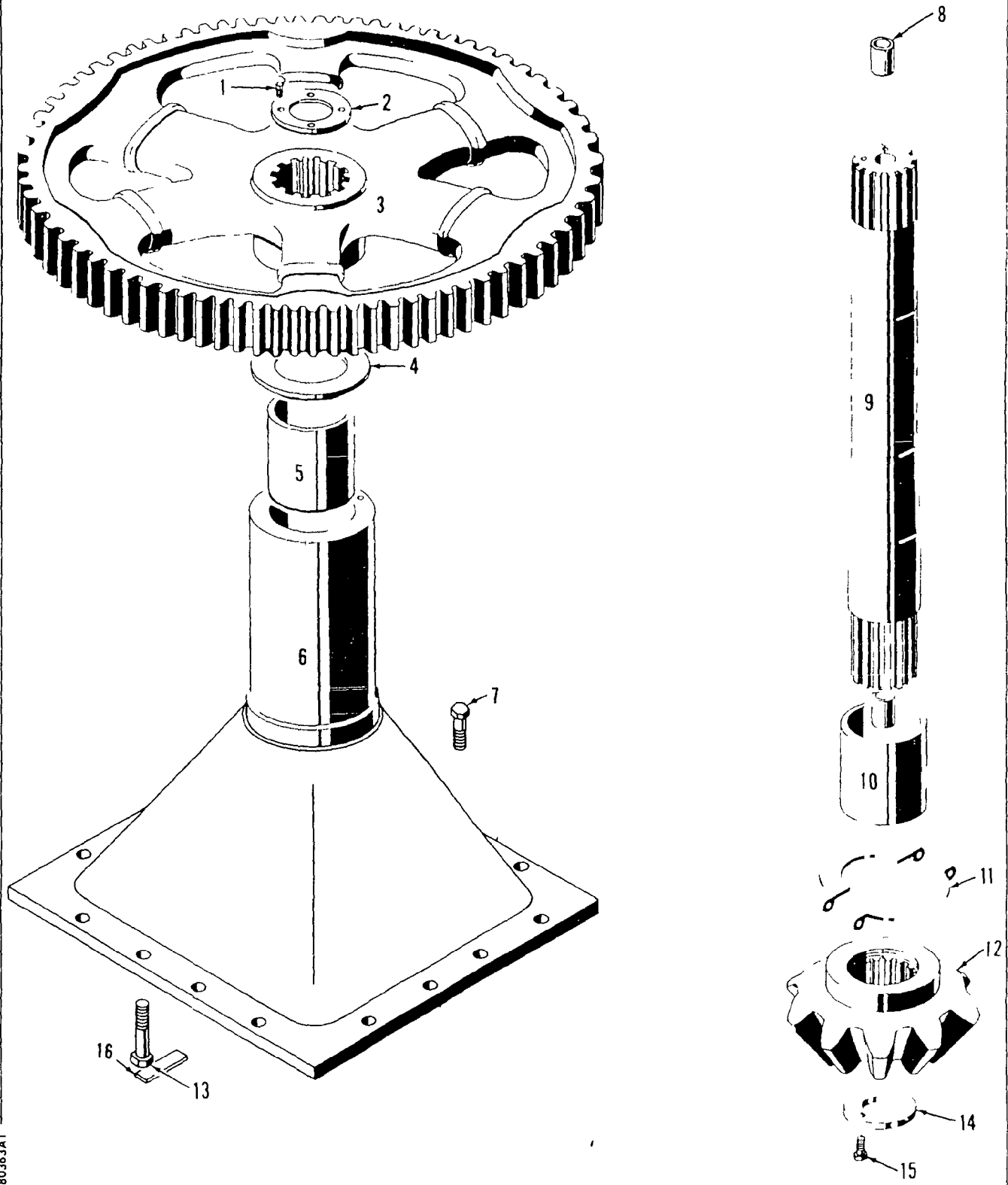
HORIZONTAL TRAVEL SHAFT



50797B2

MATERIAL LIST ON BACK

STEERING CONTROL — CARBODY



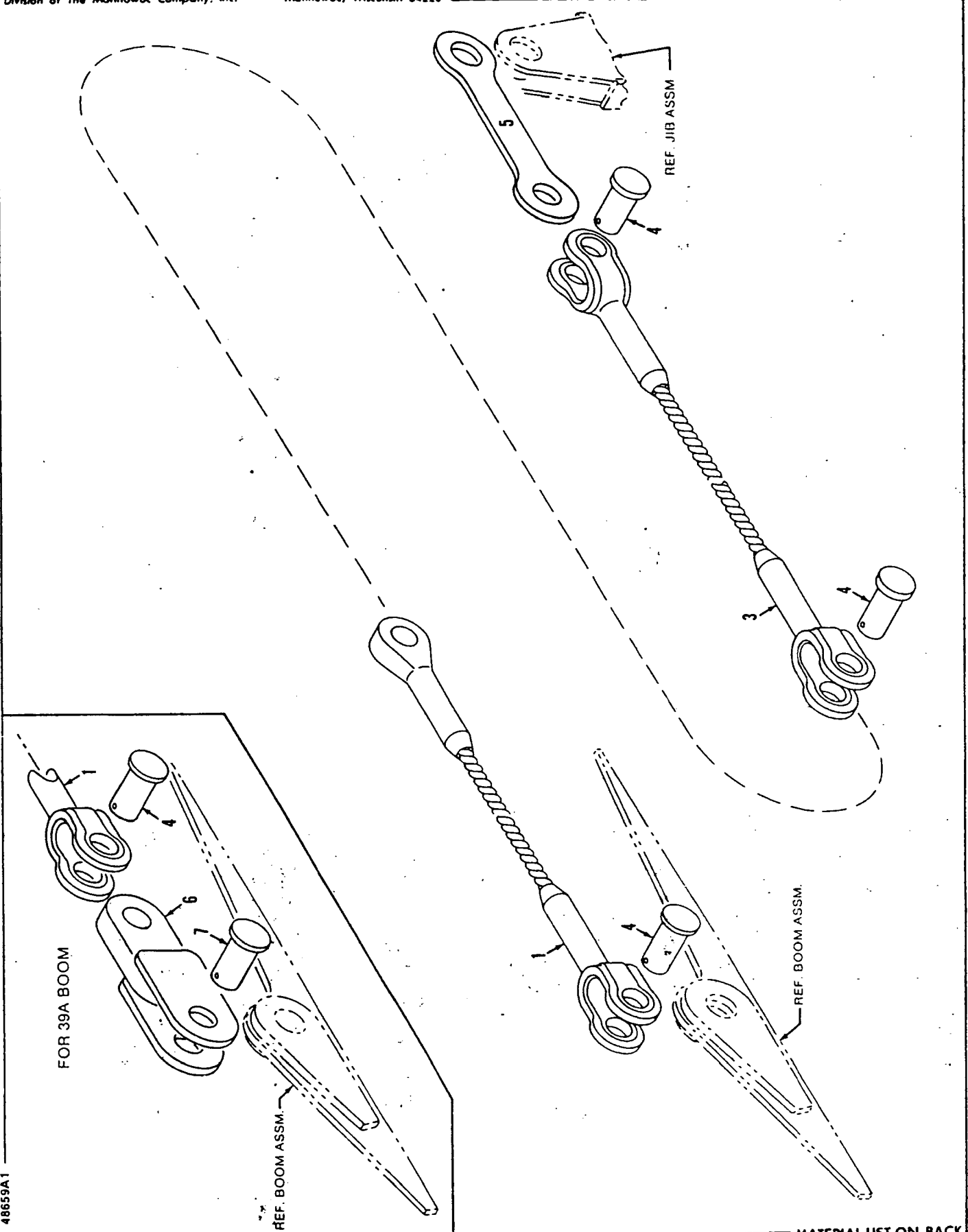
180363A1

MATERIAL LIST ON BACK

KINGPIN AND VERTICAL TRAVEL SHAFT

PARTS MANUAL ALPHABETICAL INDEX
Group F - Attachments

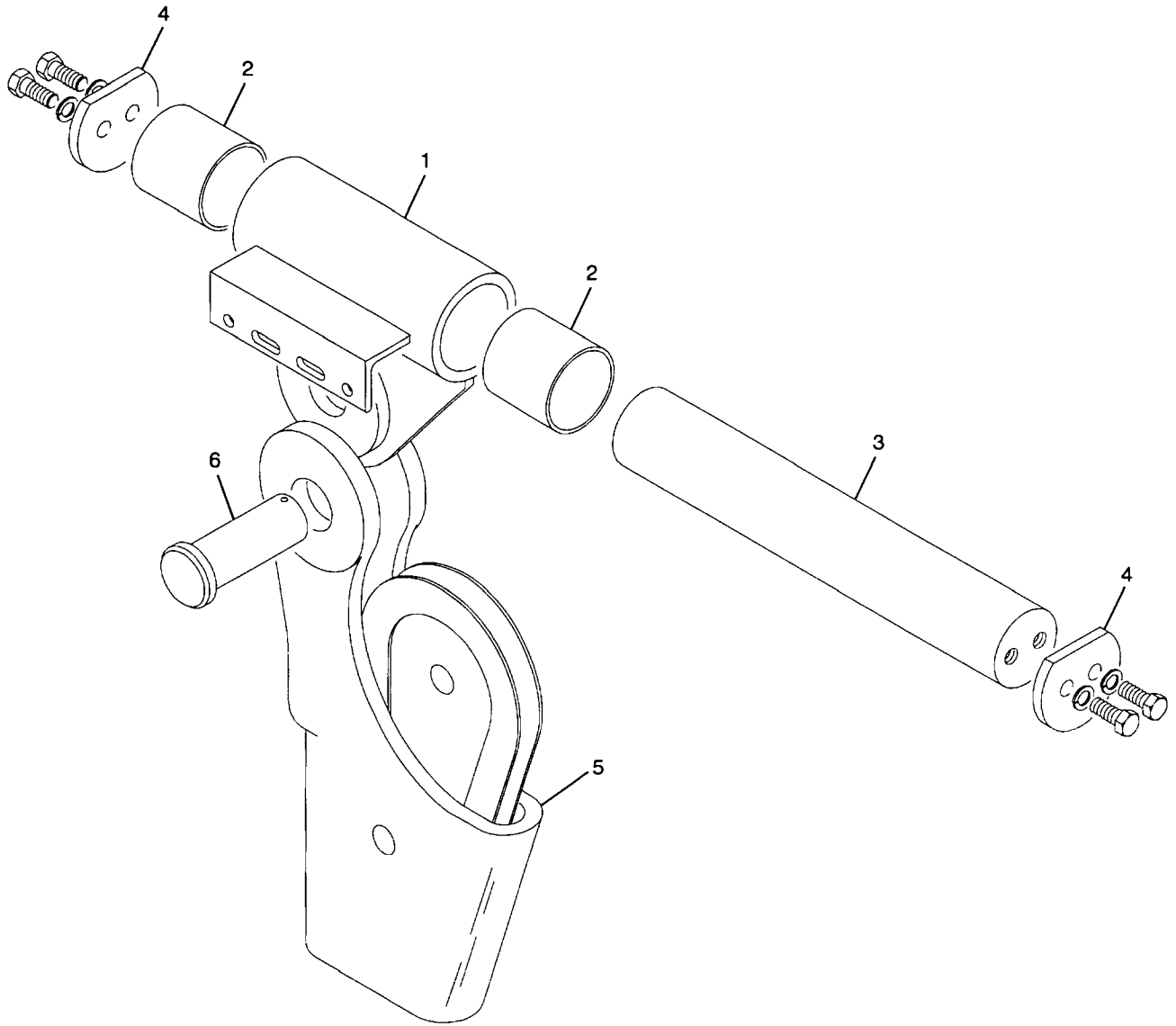
DESCRIPTION	PUBLICATION	REV	START DATE	END DATE	GROUP
Backhitch & Gantry	49278	D1	07/10/71	03/05/75	F1001
Boom Angle Indicator	22334	B1	01/07/52	09/20/85	F1101
Boom Point	91130	A	11/11/65	03/21/85	F0401
Boom Point	91132	-	11/05/65	08/09/06	F0401
Boom Point	91132	D	11/05/65	03/15/00	F0401
Boom Stop, Mechanical	48555	-	11/26/68	10/10/95	F0202
Boom Stop, Mechanical	48555	E1	11/26/68	11/12/85	F0202
Equalizer/Pull-Out	138205	-	12/12/69	03/21/85	F0601
Equalizer/Pull-Out	181055	-	12/12/69	12/27/10	F0601
Gantry Lifting Device	180590	K1	04/23/69	01/18/91	F1002
Hook & Weight Ball	95111	C1	04/05/74	01/12/96	F1401
Jib	43730	B	06/30/71	11/06/12	F1301
Jib	78169	C1	12/30/66	08/02/84	F1301
Jib	90317	A1	12/10/63	01/02/70	F1301
Jib	90318	-	12/11/63	07/25/84	F1301
Jib Backstay	48659	D1	04/22/69	09/18/84	F1302
Lower Block	180879	E1	07/29/65	08/19/76	F1501
Lower Block	98058	A1	03/12/80	11/16/81	F1501
Upper Block - Anchor Joint	93702	B1	03/12/71	03/10/76	F1601
Wire Rope Guide	92671	G1	01/20/69	09/11/80	F0701
Wire Rope Guide	93972	E1	10/25/71	07/15/82	F0701
Wire Rope Roller Guide	77090	-	09/15/65	01/21/98	F0801
Wire Rope Roller Guide	77090	C1	09/13/65	01/21/98	F0801
Wire Rope Roller Guide	91142	-	11/11/65	04/23/82	F0801



48659A1

MATERIAL LIST ON BACK

JIB BACKSTAY



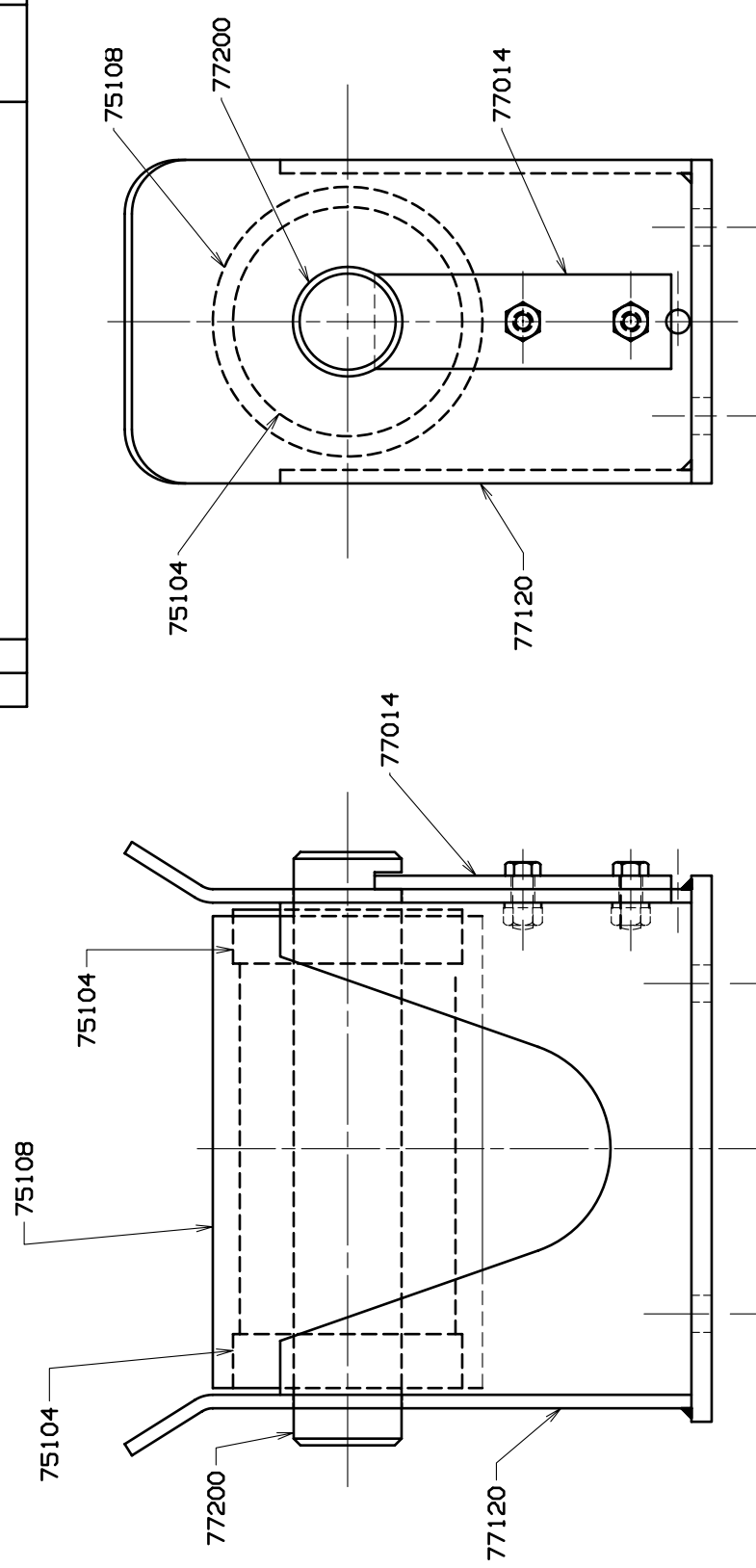
ASSEMBLY	REVISION
90317	A

C

C

ITEM NO.		SEC. NO.	DESCRIPTION	LENGTH IN.	MATERIAL	CODE NO. OR Dwg. NO.	ASSEMBLIES USED ON
2			BUSHING			75104	43708
1			ROLLER			75108	49735
1			ROLLER BRACKET			77120	190126
1			SHAFT			77200	190128
1			KEEPER			77014	

REVISIONS
 4-23-82 RCK
 REDRAW CADAM
 CK.LS
 APP.PWR



DATE
 11-11-65
 PATTERN NO.

 Dwg. NO.
 91142

WIRE ROPE ROLLER
 GUIDE ASSEMBLY
 BOOM HOIST RIGGING

Mankowicz Cranes, Inc.
 Manitowoc, Wisconsin
 MODEL 3900-W

SCALE
 6" = 1'
 DR. EJB
 CK. MR
 APP.
 91142

C

C

DO NOT SCALE THIS DRAWING

MODEL

4000W, 4100W, 4100W RINGER, 888

HOOK AND WEIGHT BALL (15 TON)

ITEM	PART #	QTY.	DESCRIPTION OF PART
WITH 650 LB. WEIGHT BALL & HANDLING RING (ring not shown)			
13	139998	1	BALL, Weight
14	75121	1	BOLT
	546288	1	NUT (1-7/8-12UNF-2B)
	11747-2	1	WASHER (1-7/8")
	562109	1	PIN, Cotter (1/4" x 2-1/2" long)
15	539616	1	NAMEPLATE
	620641	4	SCREW, Self Tap (#6-32)
WITH 850 LB. WEIGHT BALL			
13	91406	1	BALL, Weight
14	75121	1	BOLT
	546288	1	NUT (1-7/8-12UNF-2B)
	11747-2	1	WASHER (1-7/8")
	562109	1	PIN, Cotter (1/4" x 2-1/2" long)
15	539617	1	NAMEPLATE
	620641	4	SCREW, Self Tap (#6-32)
WITH 1250 LB. WEIGHT BALL			
13	139998	1	BALL, Weight
14	141371	1	BOLT
	546288	1	NUT (1-7/8-12UNF-2B)
	11747-2	1	WASHER (1-7/8")
	562109	1	PIN, Cotter (1/4" x 2-1/2" long)
15	539618	1	NAMEPLATE
	620641	4	SCREW, Self Tap (#6-32)

O-288

PLEASE GIVE SERIAL NUMBER WITH ORDER

ASSEMBLY	REV
95111	C

MANITOWOC ENGINEERING CO.

Division of The Manitowoc Company, Inc.

Manitowoc, Wisconsin 54220



TUBING (soft copper)

Code No.	Tube O.D.
696205	3/16
696210	1/4
696214	5/16
696216	3/8
696218	1/2
696219	5/8
696220	3/4



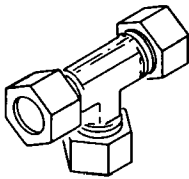
NUT

Code No.	Tube O.D.
424603	3/8
424604	1/2
424605	3/4
424633	5/16
424634	1/4
424635	3/16



FERRULE

Code No.	Tube O.D.
424600	1/4
424601	3/4
424602	3/8
424616	5/16
424617	1/2
424618	1/8
424619	3/16



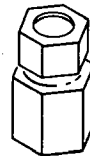
UNION TEE

Code No.	Tube O.D.
429315	1/4
429316	3/8
429317	5/16



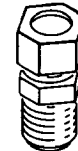
UNION

Code No.	Tube O.D.
429349	3/8
429361	1/4
429362	1/2
429397	5/16



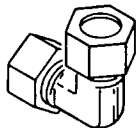
FEMALE CONNECTOR

Code No.	Tube O.D.	Pipe Thread
429312	3/16	1/8
429407	1/4	1/8
429830	1/4	1/4



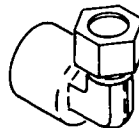
MALE CONNECTOR

Code No.	Tube O.D.	Pipe Thread
429324	3/4	3/4
429328	3/8	1/2
429351	5/16	1/8
429358	1/2	3/4
429359	1/2	3/8
429363	1/4	1/8
429364	1/4	1/4
429365	3/16	1/8
429366	3/8	1/8
429367	3/8	1/4
429368	3/8	3/8



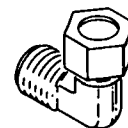
UNION ELBOW

Code No.	Tube O.D.
429372	3/8
429378	1/2
429381	1/4



FEMALE ELBOW

Code No.	Tube O.D.	Pipe Thread
429066	1/4	1/8
429825	1/4	1/4



MALE ELBOW

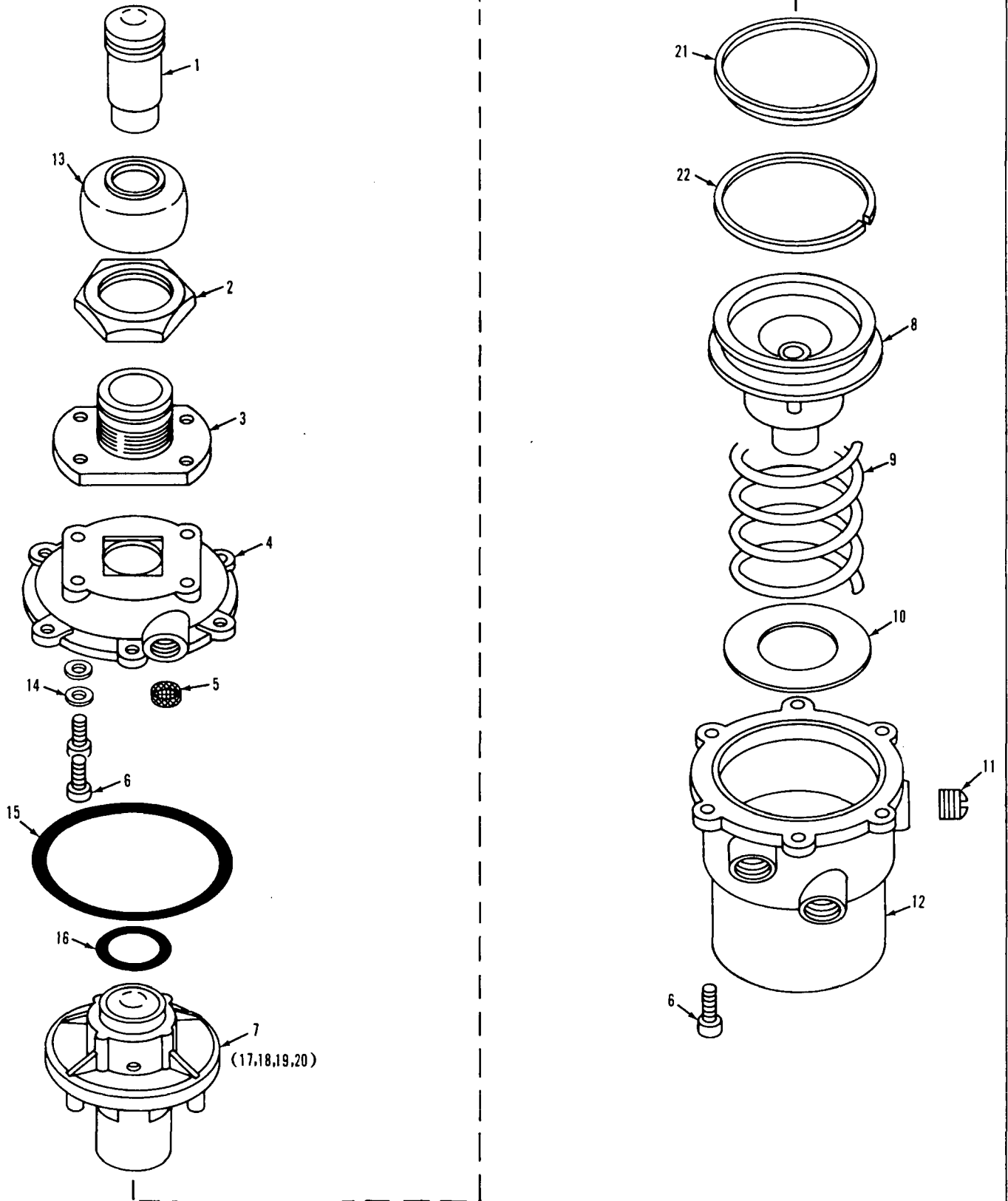
Code No.	Tube O.D.	Pipe Thread
429371	1/2	1/2
429373	3/8	1/8
429374	1/4	1/4
429375	3/8	1/4
429376	1/2	3/8
429380	1/4	1/8
429384	3/8	1/2
429385	5/16	1/8
429386	3/16	1/8
429401	1/2	3/4
429422	3/8	3/8
429453	3/4	3/4

MANITOWOC ENGINEERING CO.

A Division of The Manitowoc Company, Inc.

Manitowoc, Wisconsin

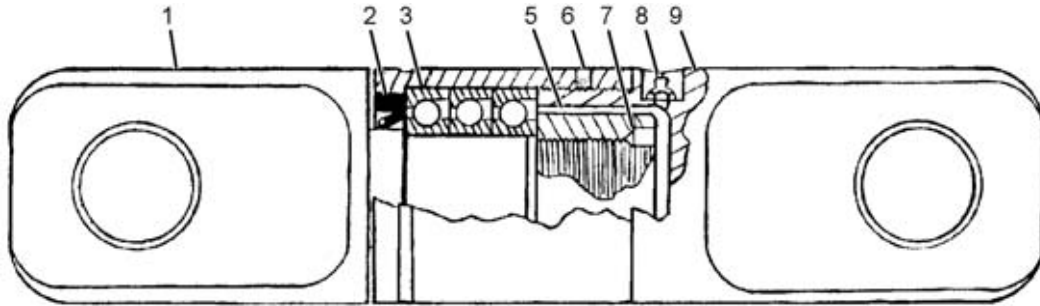
MASTER



0-247-18

MATERIAL LIST ON BACK

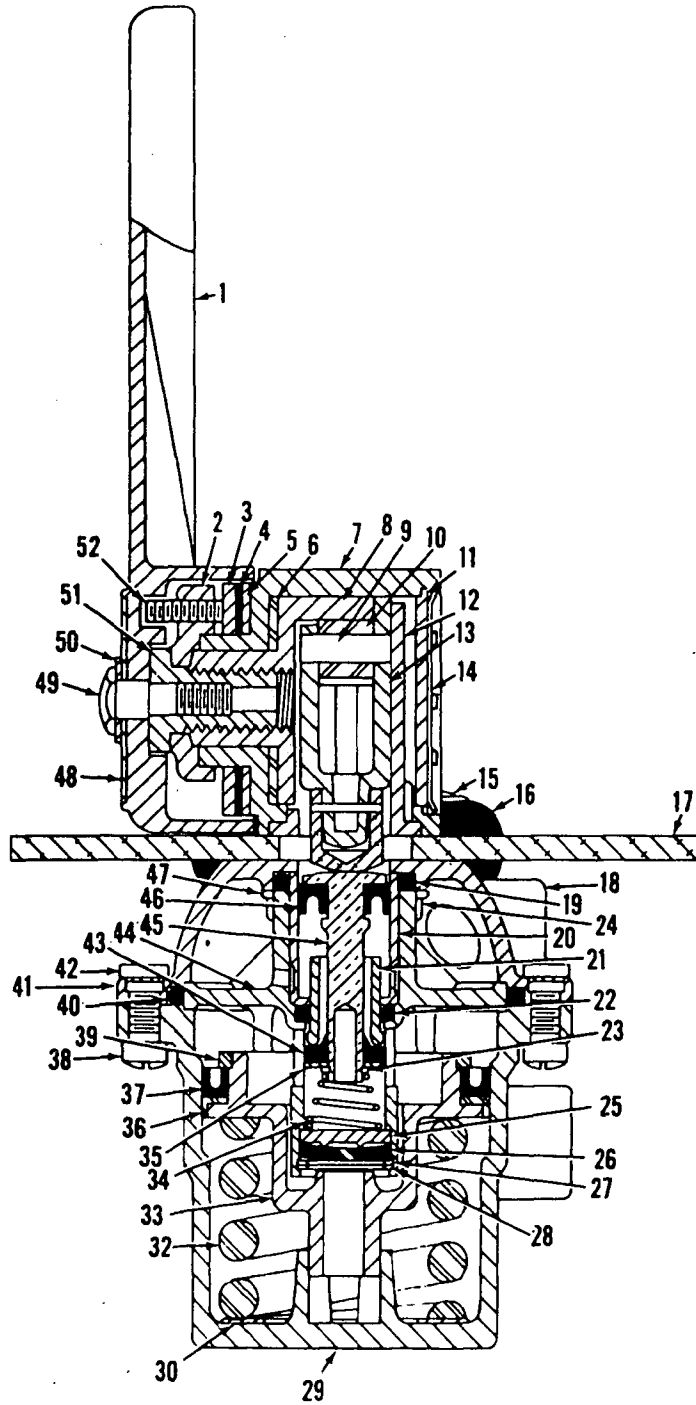
Control Valve



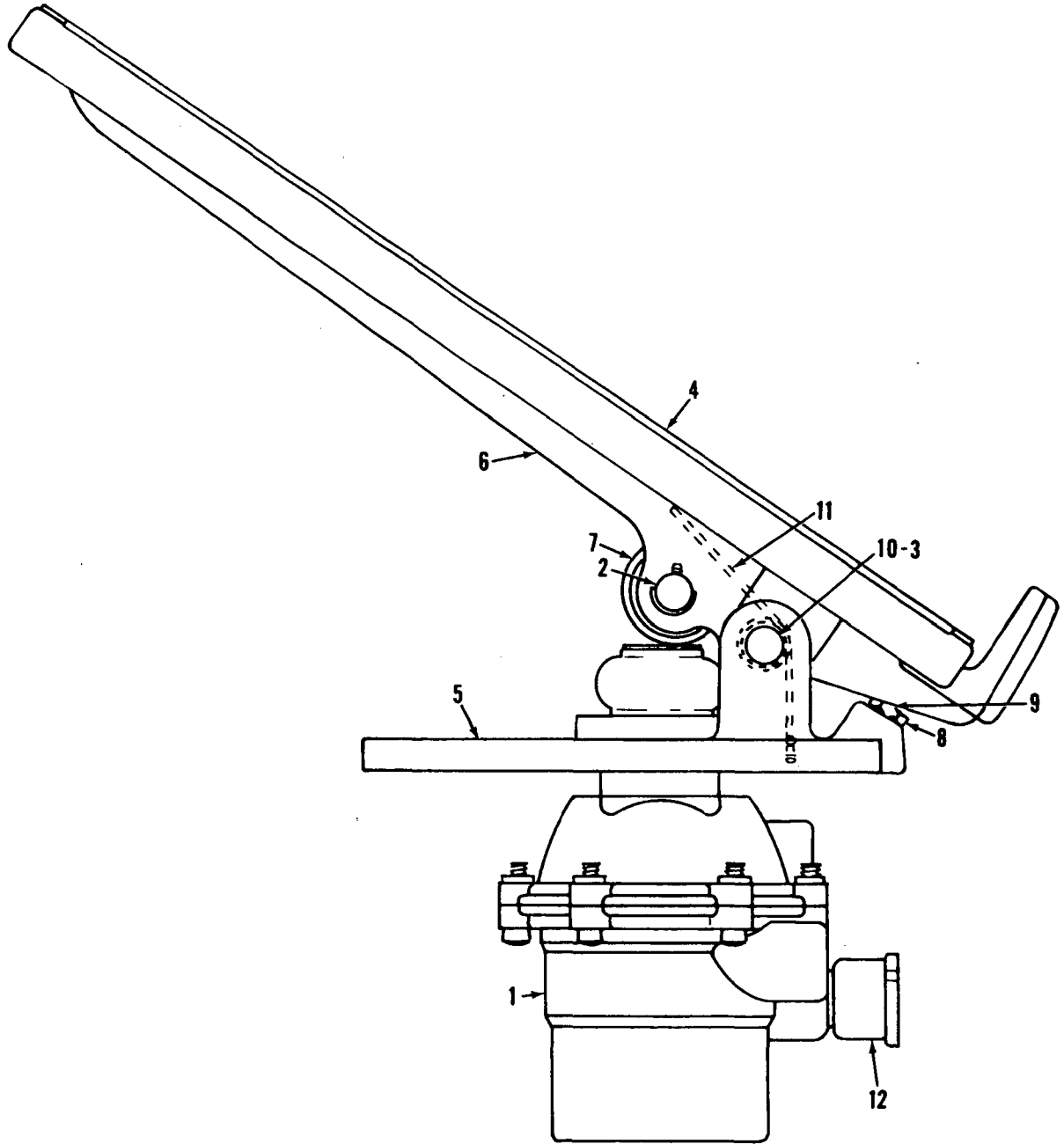
ASSEMBLY	REVISION
674105	D

SWIVEL LINK

MASTER



MASTER

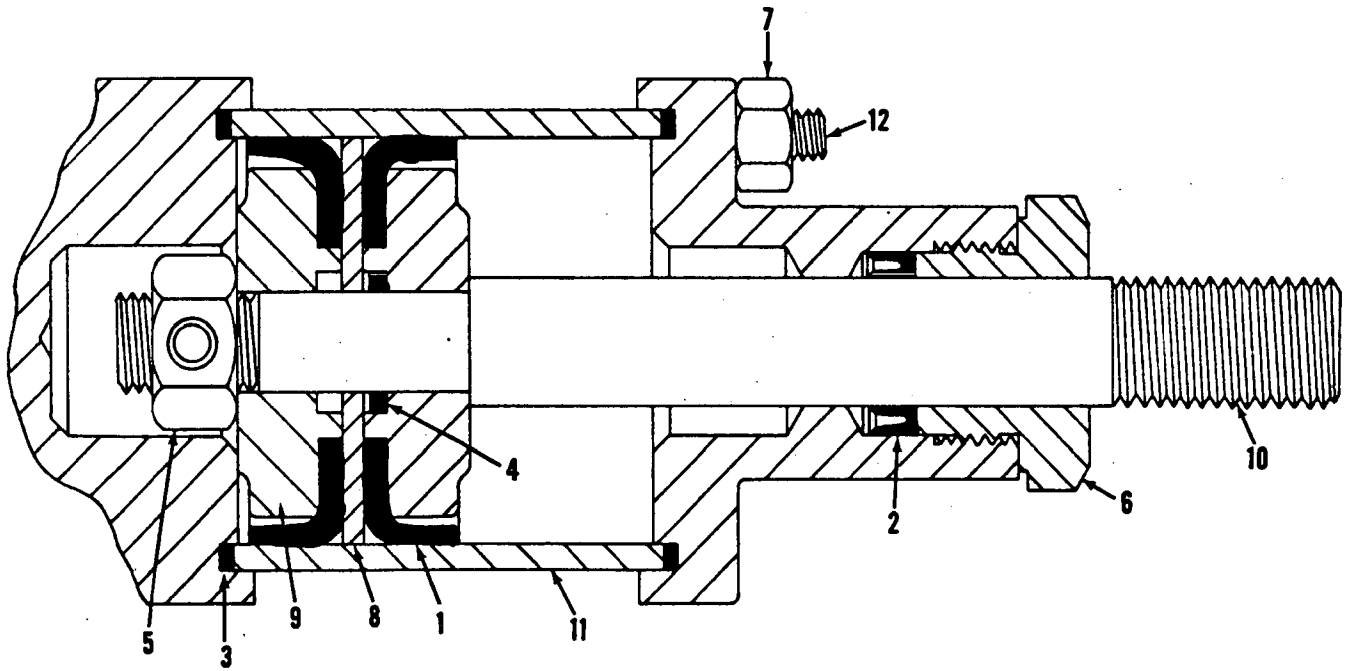


MANITOWOC ENGINEERING CO.

A Division of The Manitowoc Company, Inc.

Manitowoc, Wisconsin

MASTER



0-318

0-318

MATERIAL LIST ON BACK

AIR CYLINDER

0-328 - 1 Cont	REV. E	MODEL 4100W
----------------	-----------	----------------

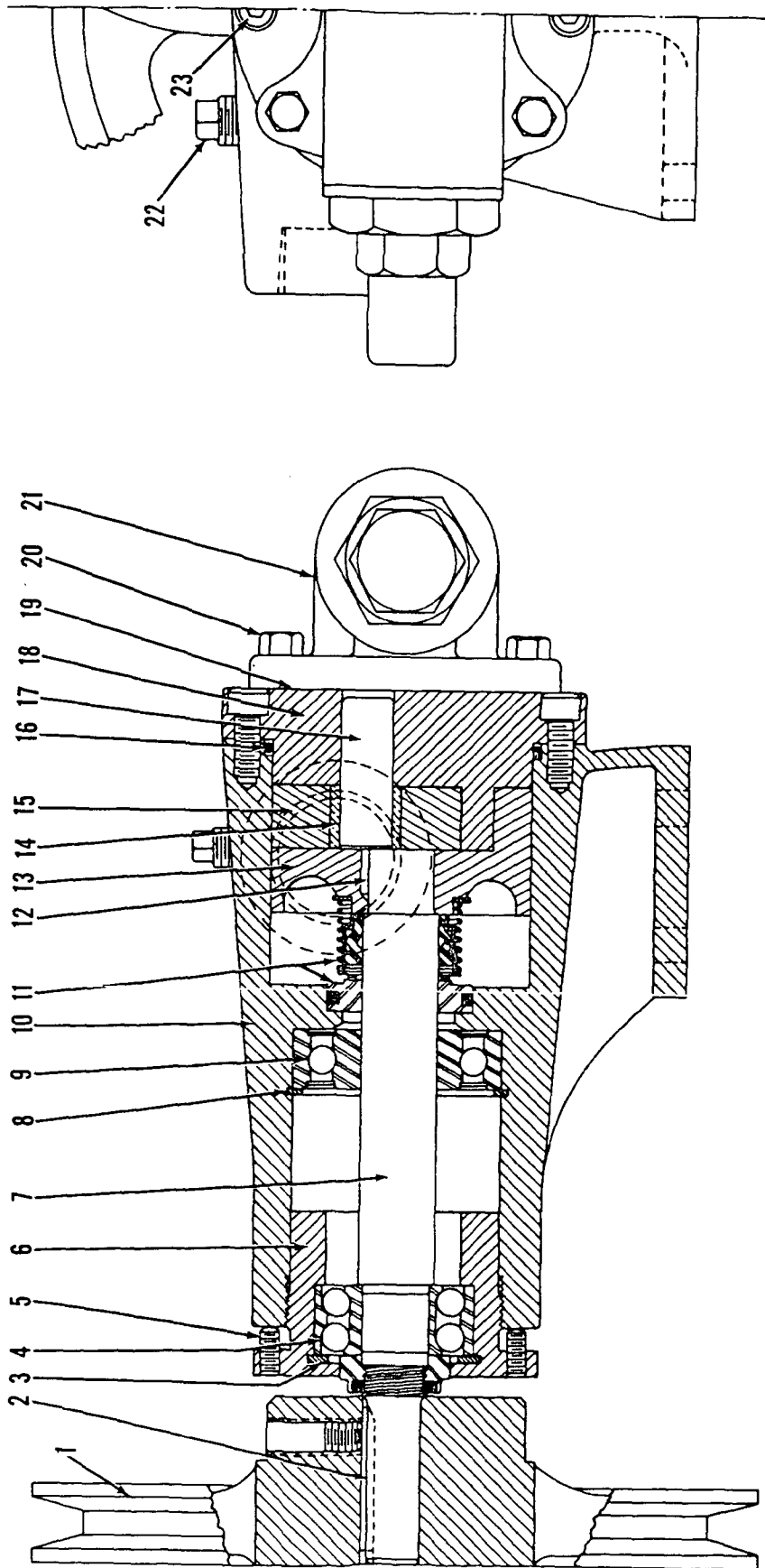
BOOM HOIST HYDRAULIC PUMP
(MANITOWOC #583149 - SUNDSTRAND #24-2028)

REF. NO.	PART NUMBER	QUANTITY REQUIRED	DESCRIPTION OF PART	VENDORS PART NO.
61		2	RING, "O"	9004100-1510
62		2	RING, "O"	9004100-1500
63		2	PISTON, Servo	9240203
64		2	SLEEVE, Servo	9240075
68		4	RING, Retaining	9006320-0075
69		2	PIN	9004830-7501
70		12	WASHER, Flat	9009610-5387
71		12	SCREW, Cap	9007200-5026
72		1	SPACER	9800917
73	367062	1	HANDLE, Control Shaft	9800916
74		1	WASHER, Tooth Lock	9009660-2500
75		1	NUT, Hex Jam	9003560-2500
76		2	PLUG, Plastic Thread	9005200-8700
77		1	PLUG, Pipe	9005001-1200
78		1	PLUG, Hex	9005100-4400
80	596936	1	RING, "O"	9004101-0140
81		2	VALVE, Check	9800687
82		1	VALVE, Control	9510368-2005
83		2	SCREW, Cap	9007200-2526
84		9	WASHER, Flat	9009610-2850
85		7	SCREW, Cap	9007200-2530
86	456779	1	GASKET, Control Housing	3803340
87		1	PLUG, Plastic Thread	9005200-9200
88		4	WASHER, Flat (See Note)	9009610-4069
89		4	SCREW, Cap (See Note 1)	9007200-3752
90		2	COVER, Port	9800386
91		6	SCREW, Cap	9007200-5022
101		2	SCREW, Cap	9007500-5044
126		1	SHIM	9240225
			KIT, Overall	9240433
			NOTE 1: Part number #583156 also includes Ref. Nos. 5, 88 and 89.	
			NOTE 2: Available in Kit 9510190 only.	

MASTER

REV. E	0 - 328 - 1
-----------	-------------

PLEASE GIVE MACHINE S/N W/ORDER



43051B7

MATERIAL LIST ON BACK

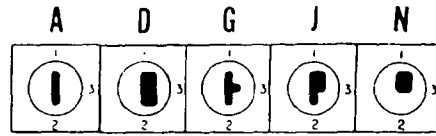
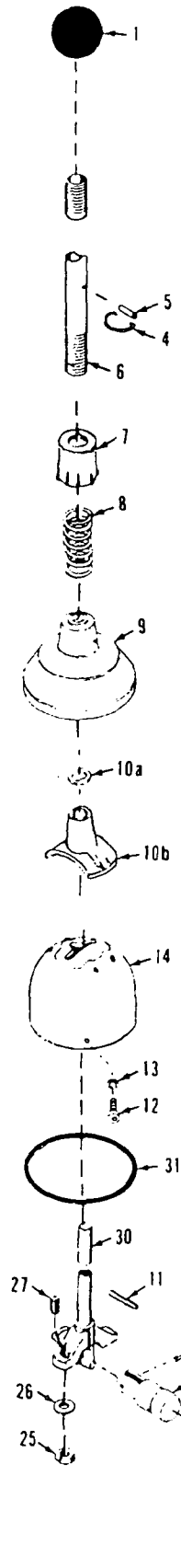
OIL PUMP

0-407 B7

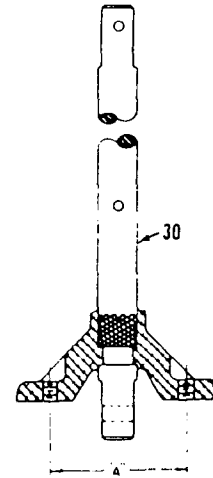
MANITOWOC ENGINEERING CO.

A Division of the Manitowoc Company, Inc.

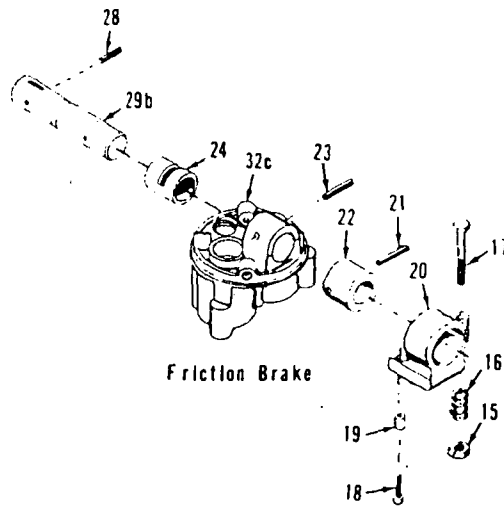
Manitowoc, Wisconsin



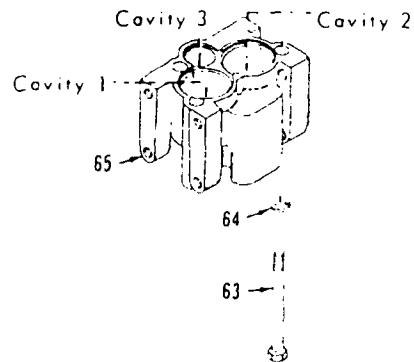
Handle Guide Inserts for Ref. No. 14



Yoke Spacing
Ref. No. 30



Friction Brake



0-441-2B

MATERIAL LIST ON BACK

FLEXAIR VALVE OPERATING MECHANISM

MODEL
ALL

CYLINDER, PUMP
Crawler Adjusting Jack
583136, 385177 or 385653 (see Note 1)

ITEM	PART #	QTY.	DESCRIPTION OF PART
4	NSS	1	BUSHING
11	NSS	1	GASKET
12	90022895	1	NUT
6	NSS	1	RING, Retaining
7	NSS	1	U-CUP
8	NSS	1	WASHER
9	90022897	1	BEARING, Rod
10	90022898	1	PLUNGER
11	NSS	1	GASKET
3	90022894	1	SCREW
5	90022896	1	SPRING
12	90022895	1	NUT
12	90022895	1	NUT
11	NSS	1	GASKET
13	90022899	1	RING, Stop
14	NSS	1	RING, Wiper
15	90022900	1	PROTECTOR, Thread
16	90022901	1	SADDLE
17	90022862	1	COUPLER, Half (female) High Flow
18	90022902	1	CAP, Dust
	90022861	1	COUPLER, Half (male) High Flow (not included - listed as reference only)
	90022903	1	KIT, Seal
2	NSS	1	PIN, Roll
6	NSS	1	RING, Retaining
7	NSS	1	U-CUP
8	NSS	1	WASHER
11	NSS	1	GASKET
14	NSS	1	RING, Wiper
JACK CYLINDER (385653) (see Page 3)			
1	NSS	1	HOUSING
2	9372220360	2	PISTON
3	9372220361	1	NUT, Retaining
5	9372220362	1	RING, Retaining
6	9372220363	1	RING, Bearing
8	9372220364	1	SCREW
9	9364220155	1	COUPLING, Half (female) High Flow
	9364220154	1	COUPLING, Half (male) High Flow (not included - listed as reference only)
10	9372220366	1	LOAD CAP ASSEMBLY
11	9372220367	1	SPRING
12	9372220368	1	NUT, Cap
13	9372220369		GASKET
14	9372220370	1	SCREW
15	9372220371	1	BUSHING
16	9372220372	2	PLUG
17	9372220373	1	PROTECTOR, Thread

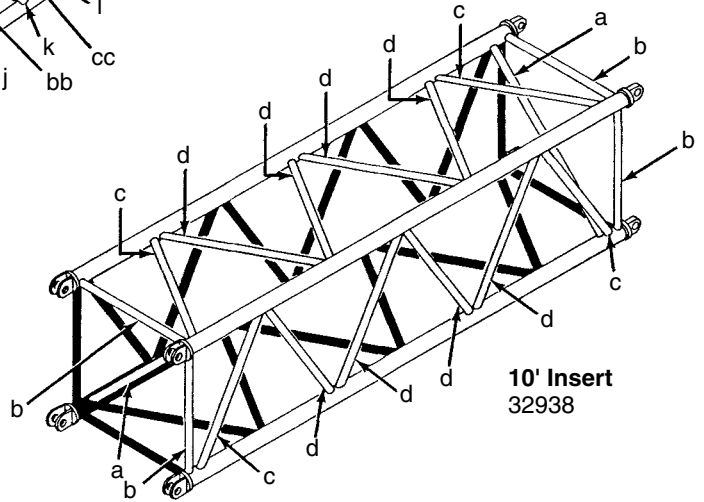
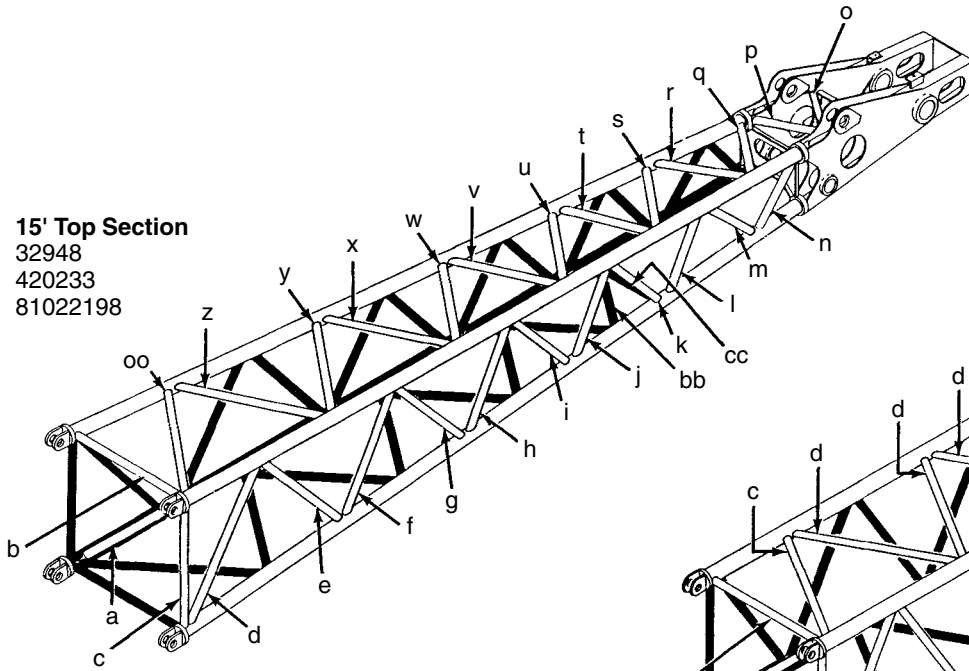
PLEASE GIVE MACHINE SERIAL NUMBER WITH ORDER

ASSEMBLY O-471	REVISION E
--------------------------	----------------------

#123 - 123A Jib

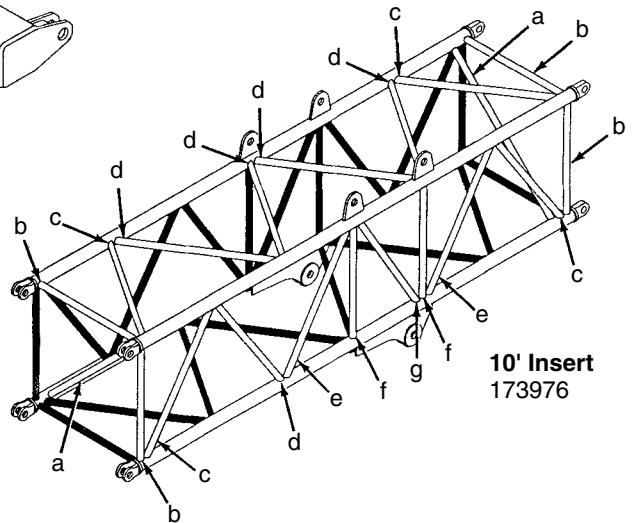
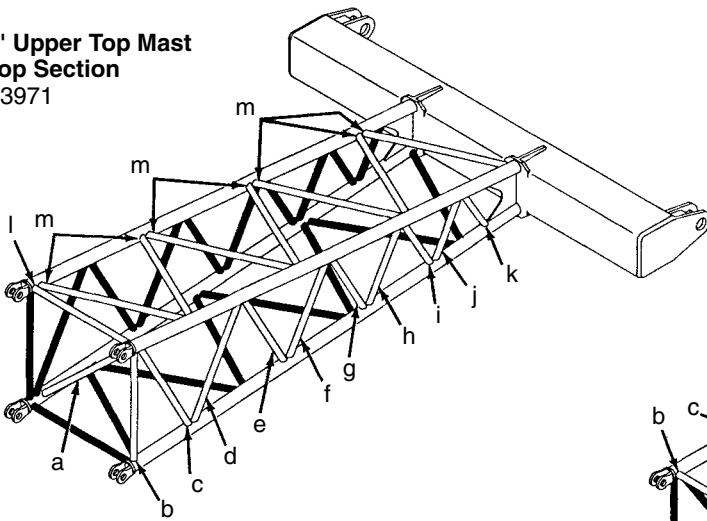
Opposite lacings (black) same unless noted.

15' Top Section
32948
420233
81022198



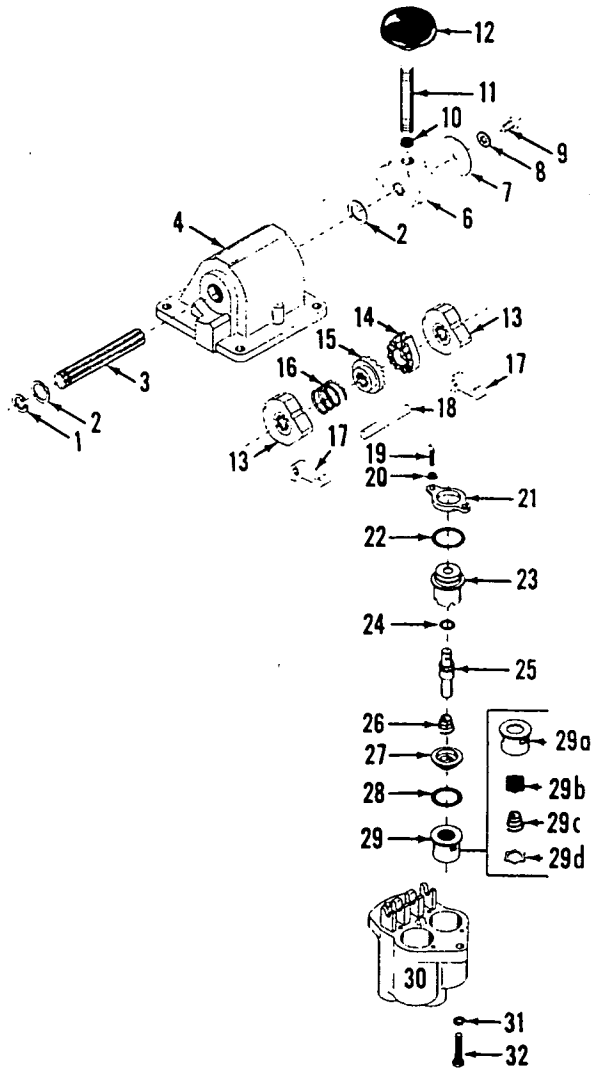
10' Insert
32938

10' Upper Top Mast Stop Section
173971

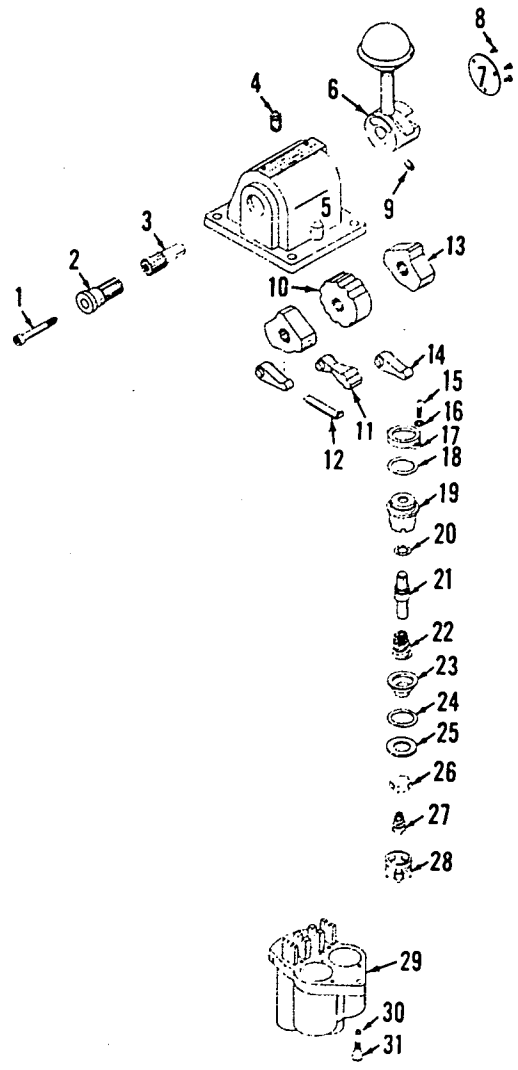


10' Insert
173976

ASSEMBLY	REVISION
O-512	C



P59335



P54426-0312

MATERIAL LIST ON BACK

CONTROL VALVE

CLICK HERE TO **DOWNLOAD** THE COMPLETE MANUAL

- Thank you very much for reading the preview of the manual.
- You can download the complete manual from: www.heydownloads.com by clicking the link below



- Please note: If there is no response to CLICKING the link, please download this PDF first and then click on it.

CLICK HERE TO **DOWNLOAD** THE COMPLETE MANUAL