

Manitowoc

TRADITIONAL CRANE

PARTS MANUAL

This manual has been prepared for and is considered part of

4000W

Model

40293

Serial Number

GROUP A = Rotating Structure (Includes rotating bed, operator's cab, cases, fuel tanks, transfer pump, counterweights, guards, platforms, catwalks, machinery enclosure, horn)

GROUP B = Upperworks Machinery (Includes front, rear, and auxiliary drums, boom hoist, swing and drive shafts, hand levers, foot pedals, control linkage, rotation indicators, upperworks hydraulic components, hydraulic piping, hydraulic oil reservoir, lubrication pump and piping, blowers)

GROUP C = Air Components & Electrical (Includes control console, air piping, electric wiring, auxiliary light plant and lighting, TV monitoring, compressor and air tank)

GROUP D = Power Components - Upperworks (Includes engine or motor, radiator, auxiliary power plant, take off converters and piping, controls, VICON power lowering, torque limiter, hydraulic pumps and piping, fuel piping, battery box)

GROUP E = Lower Structure & Control (Includes carbody, crawlers, travel shafts and control, steering travel locks, hydraulic travel, travel power outriggers, carrier, pedestal, lowerworks hydraulic piping, RINGER components, barge mounting and machinery, spud drums)

GROUP F = Attachments (Includes booms, jibs, masts, tower, wire rope guides, equalizer, gantry, fairlead, timber guards, boom angle indicator, block-up limit, tag line, hook block, weight ball, upper and lower boom point, wind speed indicator, crowd and retract dipper sticks, dippers,)

O-NUMBER SECTION = (Includes lacing drawings and purchased component parts drawings referenced in sections A through F)

This manual is arranged in sections as listed above. Sections A through F are arranged by group numerical order with an index after each section tab. An alphabetical index for groups A Through F combined is located after the O-number Section. The O-number section is arranged in numerical order by O-number. Following this cover page are the Basic Specifications, Warranty Information, Tool List (if applicable) Outline Dimensions, Weights, and Dealer Listing.

CLICK HERE TO **DOWNLOAD** THE COMPLETE MANUAL

- Thank you very much for reading the preview of the manual.
- You can download the complete manual from: www.heydownloads.com by clicking the link below



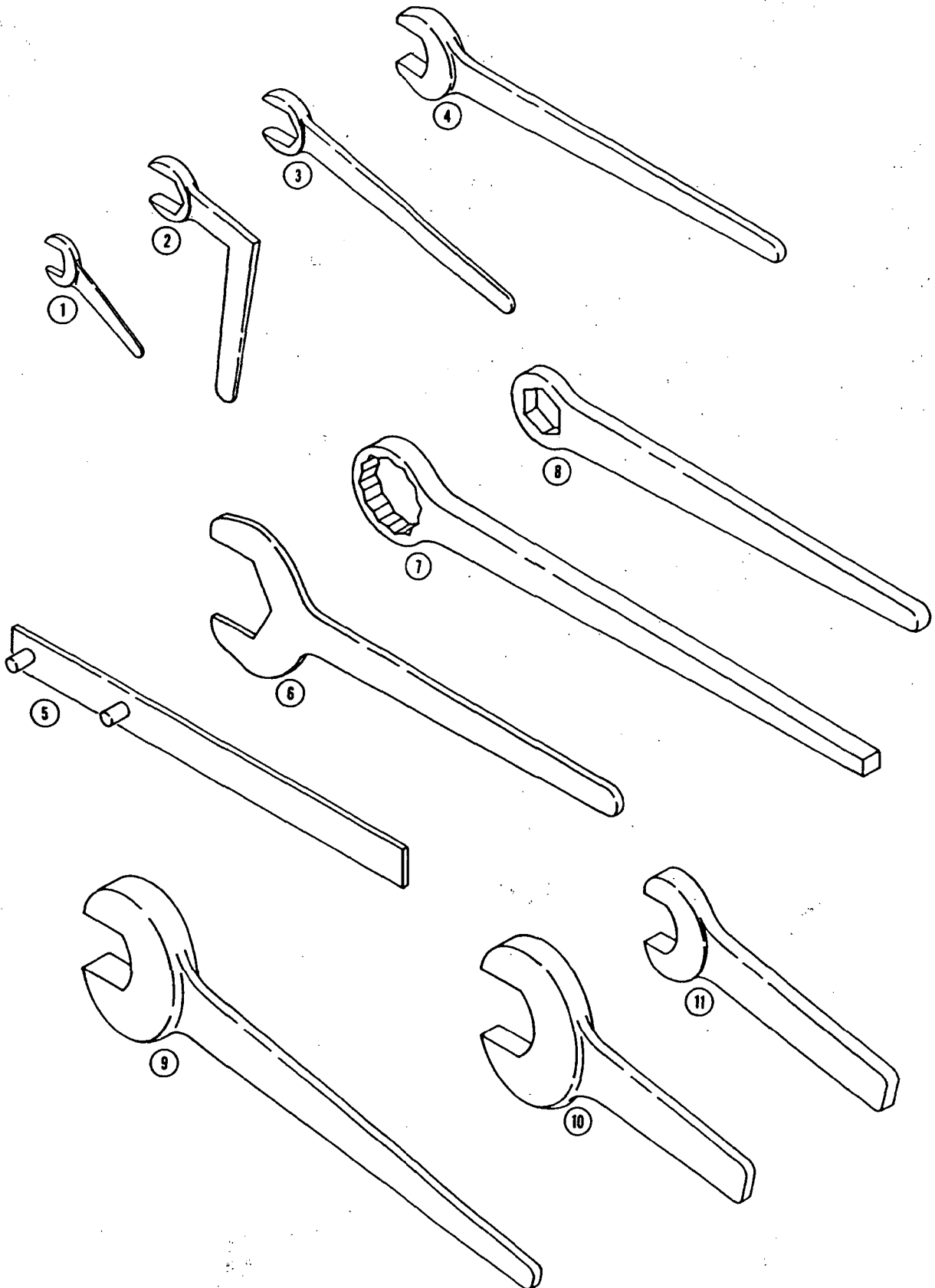
- Please note: If there is no response to CLICKING the link, please download this PDF first and then click on it.

CLICK HERE TO **DOWNLOAD** THE COMPLETE MANUAL

MANITOWOC ENGINEERING CO.

A Division of The Manitowoc Company, Inc.

Manitowoc, Wisconsin



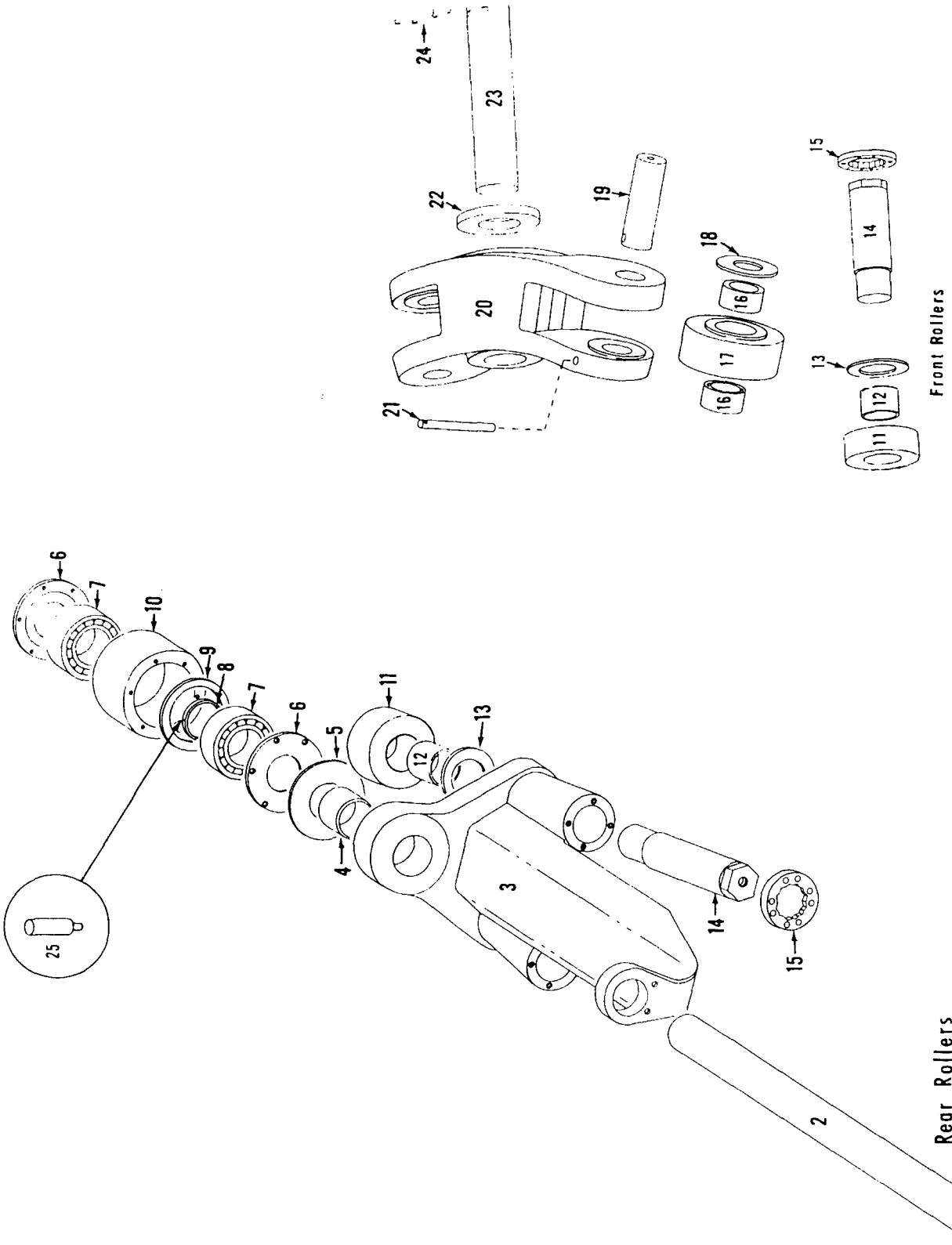
0-480-1A

MATERIAL LIST ON BACK

MANITOWOC ENGINEERING CO.

A Division of The Manitowoc Company, Inc.

Manitowoc, Wisconsin



Front Rollers

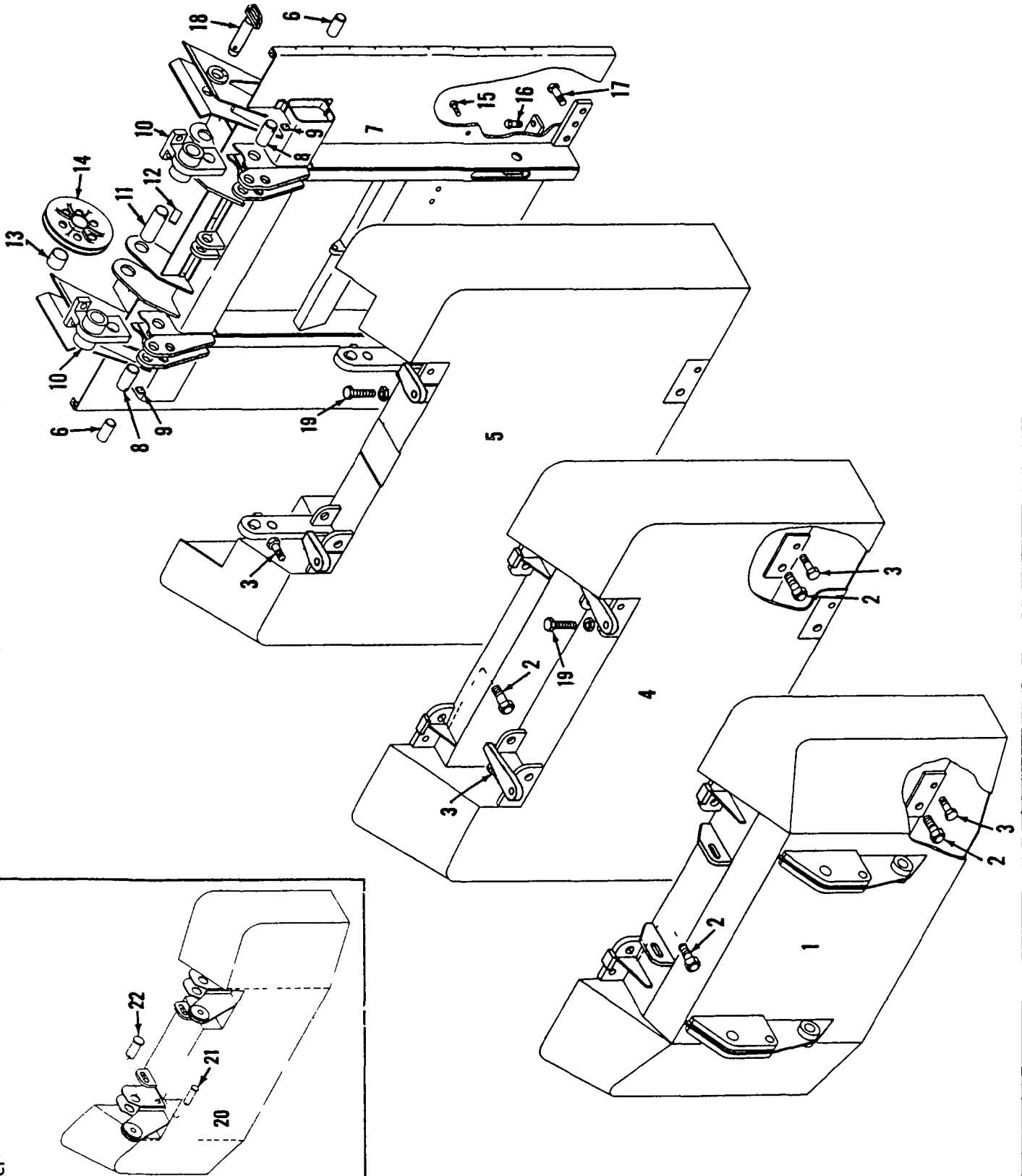
Rear Rollers

42163E2

MATERIAL LIST ON BACK

ROTATING BED ROLLERS

MASTER



43904C1

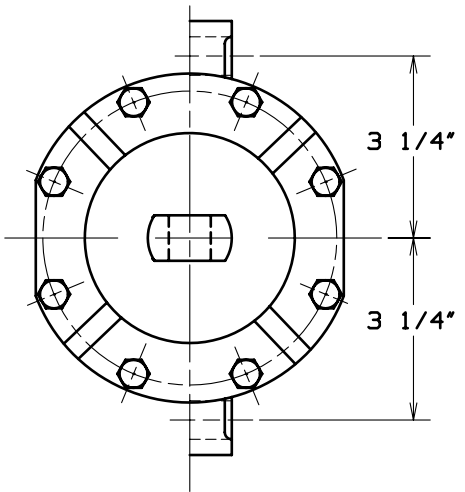
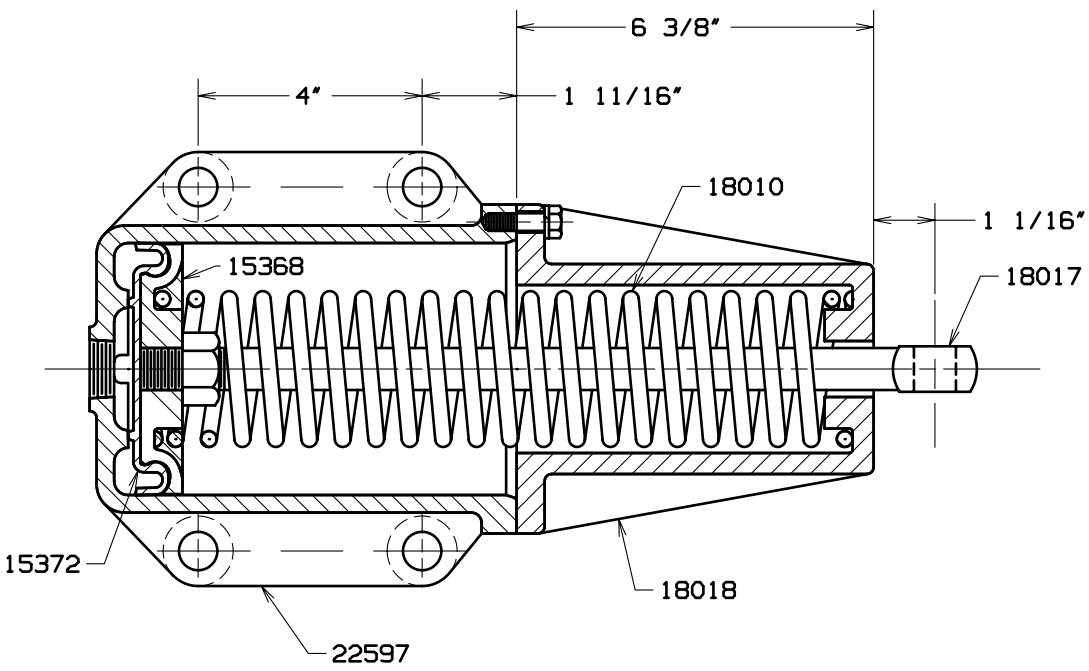
BILL OF MATERIAL							
ITEM NO.	NO. RECD	SECTION	DESCRIPTION	LENGTH		MATERIAL	CODE NO. OR DMS. NO.
				FT.	IN.		
	1		PISTON				15368
	1		PACKING CUP				15372
A	1		SPRING				18010
C	1		PISTON ROD				18017
E	1		COVER				18018
	1		AIR CYLINDER				22597

ASSEMBLIES USED ON	
41461	49401
41566	49872
41702	65643
42348	
42607	
43990	
43975	
48437	
48463	
50865	

REVISIONS

10-22-52
 A WAS 2624
 E WAS 17938
 C WAS 17939

10-8-81 RVP
 REDRAW CADAM
 CK NJK
 APP TLP



SCALE
 5" = 1"
 DR. DOS
 CK. JK
 APP

DMS. NO.
 22596

Manitowoc Cranes, Inc.
 Manitowoc, Wisconsin

MODEL 3900

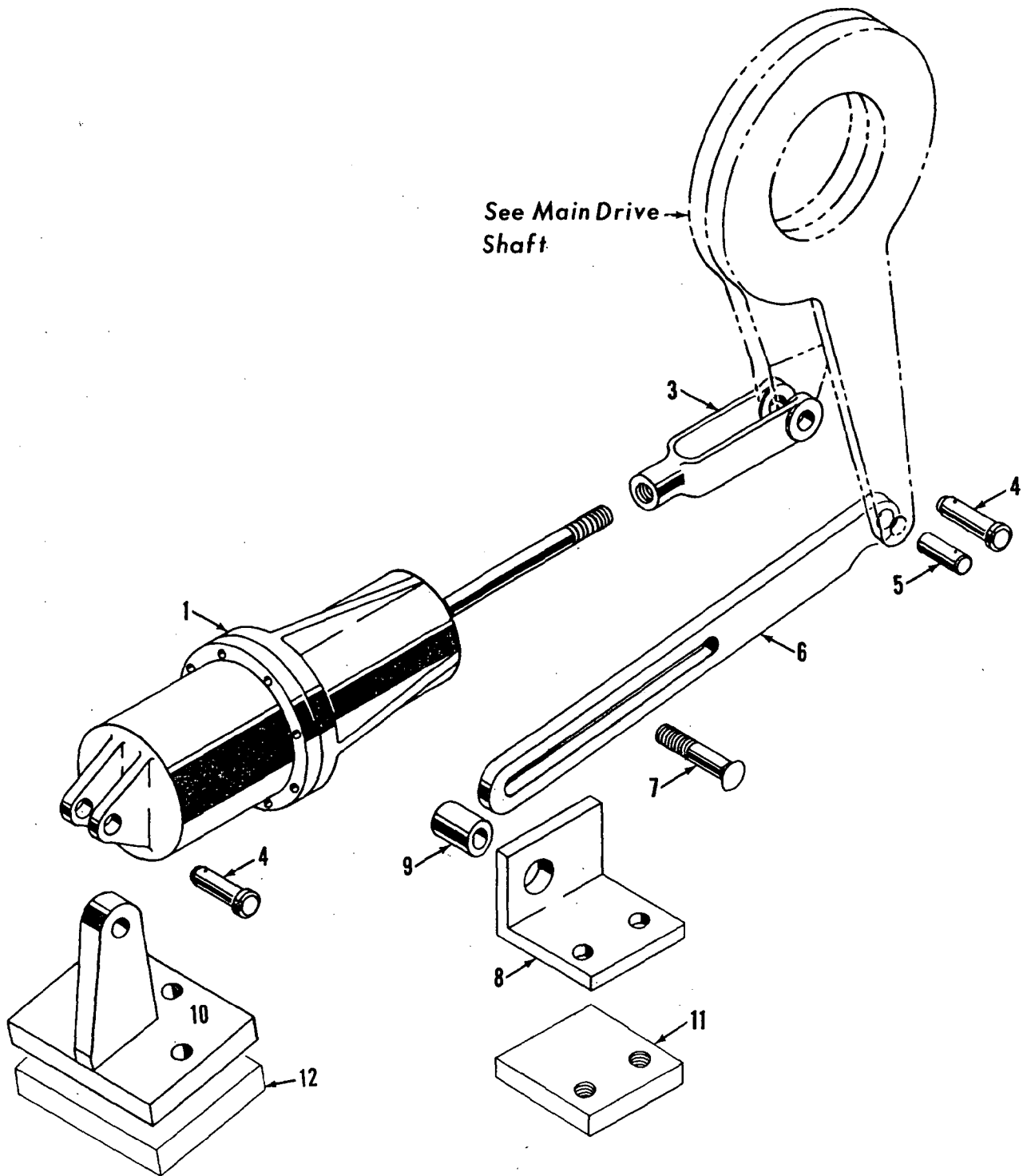
4 1/2" X 6" AIR
 CYLINDER ASSEMBLY
 WITH SNAP ON
 PACKING CUP

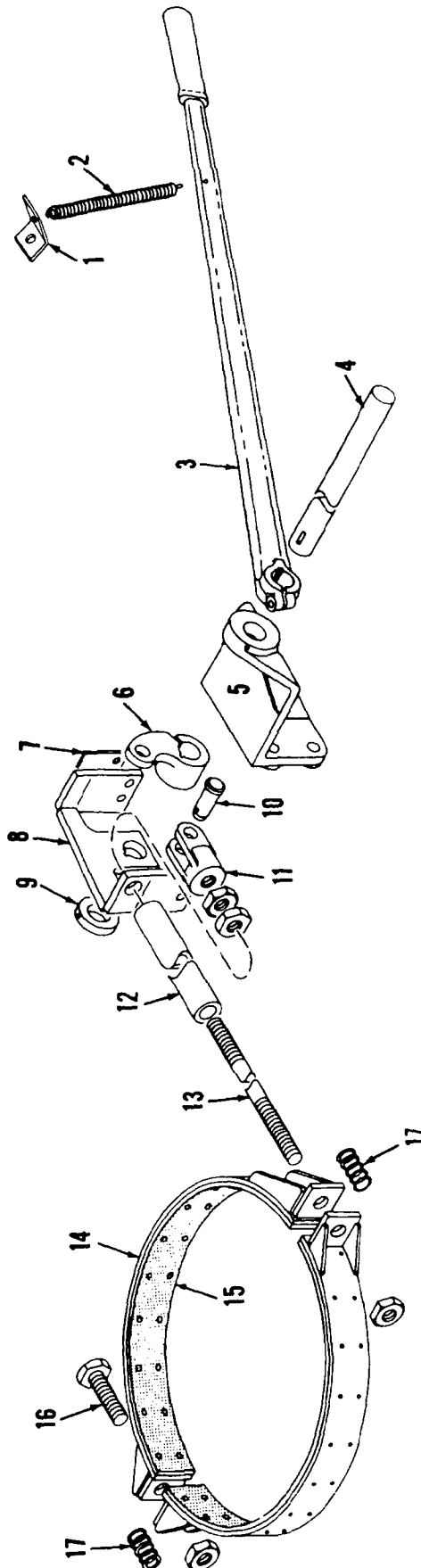
DATE
 9-3-52

PATTERN NO.

DMS. NO.
 22596

DO NOT SCALE THIS DRAWING





NOTE: [A] ADD WASHERS 144434 AND 144435 AS REQUIRED TO LOCATE DRUM BRAKE BAND ON BRAKE FLANGE BETWEEN RAIN GROOVE AND OUTBOARD EDGE.

NOTE: [B] DO NOT USE NUTS OR JAM NUTS ON UNDERSIDE OF BRAKE BAND HANGER SPRING ASSEMBLIES

ASSEMBLY NOTE
BE SURE SET SCREW IN LEVER 22598 ENGAGES HOLE IN SHAFT 17990

NOTE: [C] FOR STAINLESS STEEL PINS (OPTIONAL) REPLACES

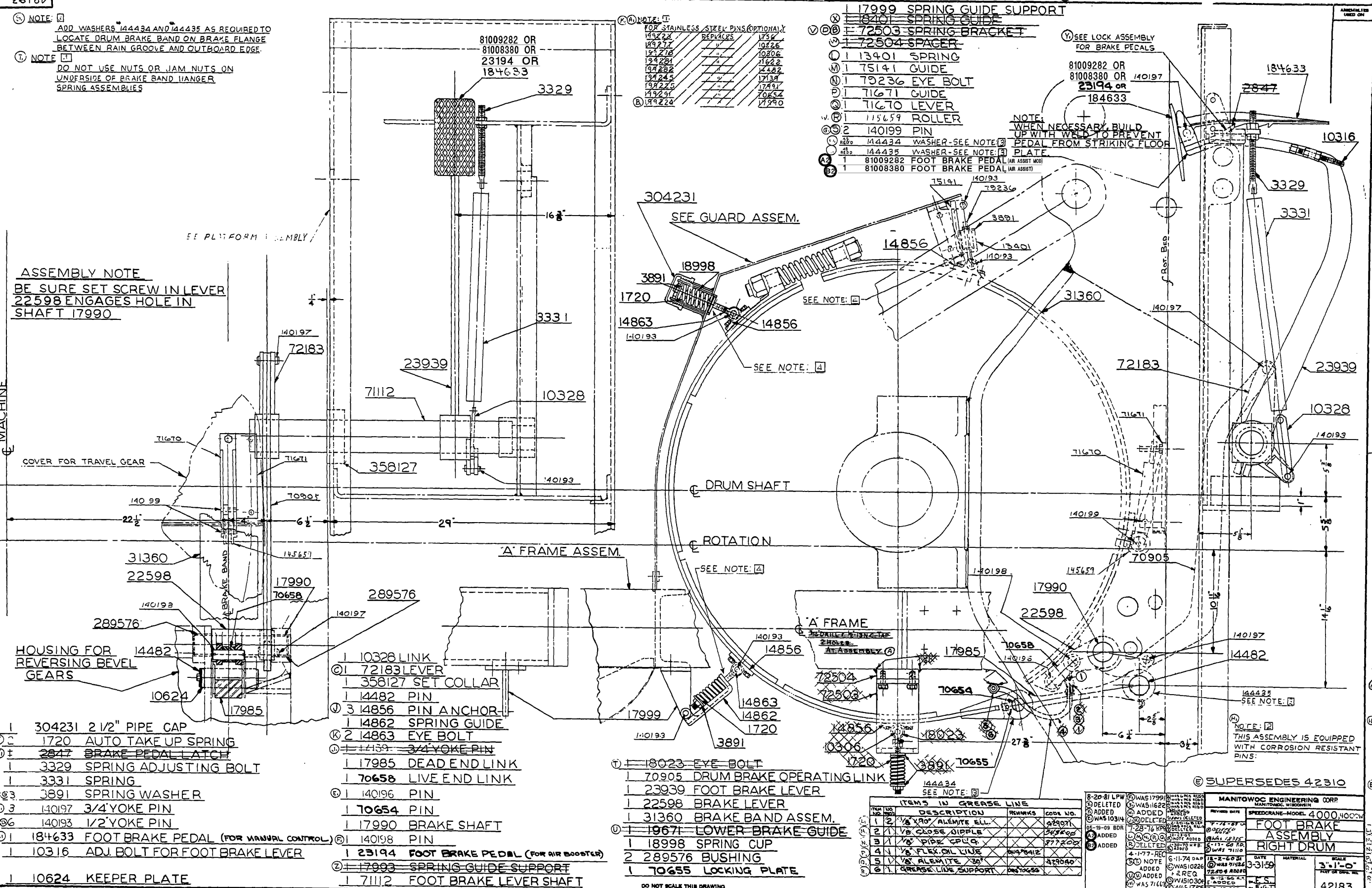
149222	1750
149277	10226
151278	11622
194281	14482
194282	17134
194245	17491
197225	70654
192341	70652
192224	17990

- 17999 SPRING GUIDE SUPPORT
- 16401 SPRING GUIDE
- 72503 SPRING BRACKET
- 72504 SPACER
- 13401 SPRING
- 175141 GUIDE
- 179236 EYE BOLT
- 71671 GUIDE
- 71670 LEVER
- 115659 ROLLER
- 2 140199 PIN
- 144434 WASHER-SEE NOTE: [3]
- 144435 WASHER-SEE NOTE: [3]
- 1 81009282 FOOT BRAKE PEDAL (AIR ASSIST MOD)
- 1 81008380 FOOT BRAKE PEDAL (AIR ASSIST)

SEE LOCK ASSEMBLY FOR BRAKE PEDALS

81009282 OR 81008380 OR 140197 23194 OR 184633

NOTE: WHEN NECESSARY, BUILD UP WITH WELD TO PREVENT PEDAL FROM STRIKING FLOOR



- 1 304231 2 1/2" PIPE CAP
- 1720 AUTO TAKE UP SPRING
- 2847 BRAKE PEDAL LATCH
- 1 3329 SPRING ADJUSTING BOLT
- 1 3331 SPRING
- 3891 SPRING WASHER
- 3 140197 3/4" YOKE PIN
- 2 140193 1/2" YOKE PIN
- 1 184633 FOOT BRAKE PEDAL (FOR MANUAL CONTROL)
- 1 10316 ADJ. BOLT FOR FOOT BRAKE LEVER
- 1 10624 KEEPER PLATE

- 1 10328 LINK
- 1 72183 LEVER
- 1 358127 SET COLLAR
- 1 14482 PIN
- 3 14856 PIN ANCHOR
- 1 14862 SPRING GUIDE
- 2 14863 EYE BOLT
- 1 115659 3/4" YOKE PIN
- 1 17985 DEAD END LINK
- 1 70658 LIVE END LINK
- 1 140196 PIN
- 1 70654 PIN
- 1 17990 BRAKE SHAFT
- 1 140198 PIN
- 1 23194 FOOT BRAKE PEDAL (FOR AIR BOOSTER)
- 1 17999 SPRING GUIDE SUPPORT
- 1 71112 FOOT BRAKE LEVER SHAFT

- 1 18023 EYE BOLT
- 1 70905 DRUM BRAKE OPERATING LINK
- 1 23939 FOOT BRAKE LEVER
- 1 22598 BRAKE LEVER
- 1 31360 BRAKE BAND ASSEM.
- 1 19671 LOWER BRAKE GUIDE
- 1 18998 SPRING CUP
- 2 289576 BUSHING
- 1 70655 LOCKING PLATE

ITEMS IN GREASE LINE

ITEM NO.	DESCRIPTION	REMARKS	CODE NO.
1	1/2" X 30" ALEMITE ELL		279071
2	1/8" CLOSE DIPPLE		278400
3	1/2" PIPE CUP		277200
4	1/2" ALEMITE LINE		278412
5	1/2" ALEMITE 30"		279040
6	1" GREASE LINE SUPPORT		279050

8-20-81 LPW

MANITOWOC ENGINEERING CORP
SPEEDCRANE-MODEL 4000, HOOVER
FOOT BRAKE ASSEMBLY
RIGHT DRUM

DATE: 3-31-59
SCALE: 3"-1'-0"
PART OF DRAWING NO. 42183

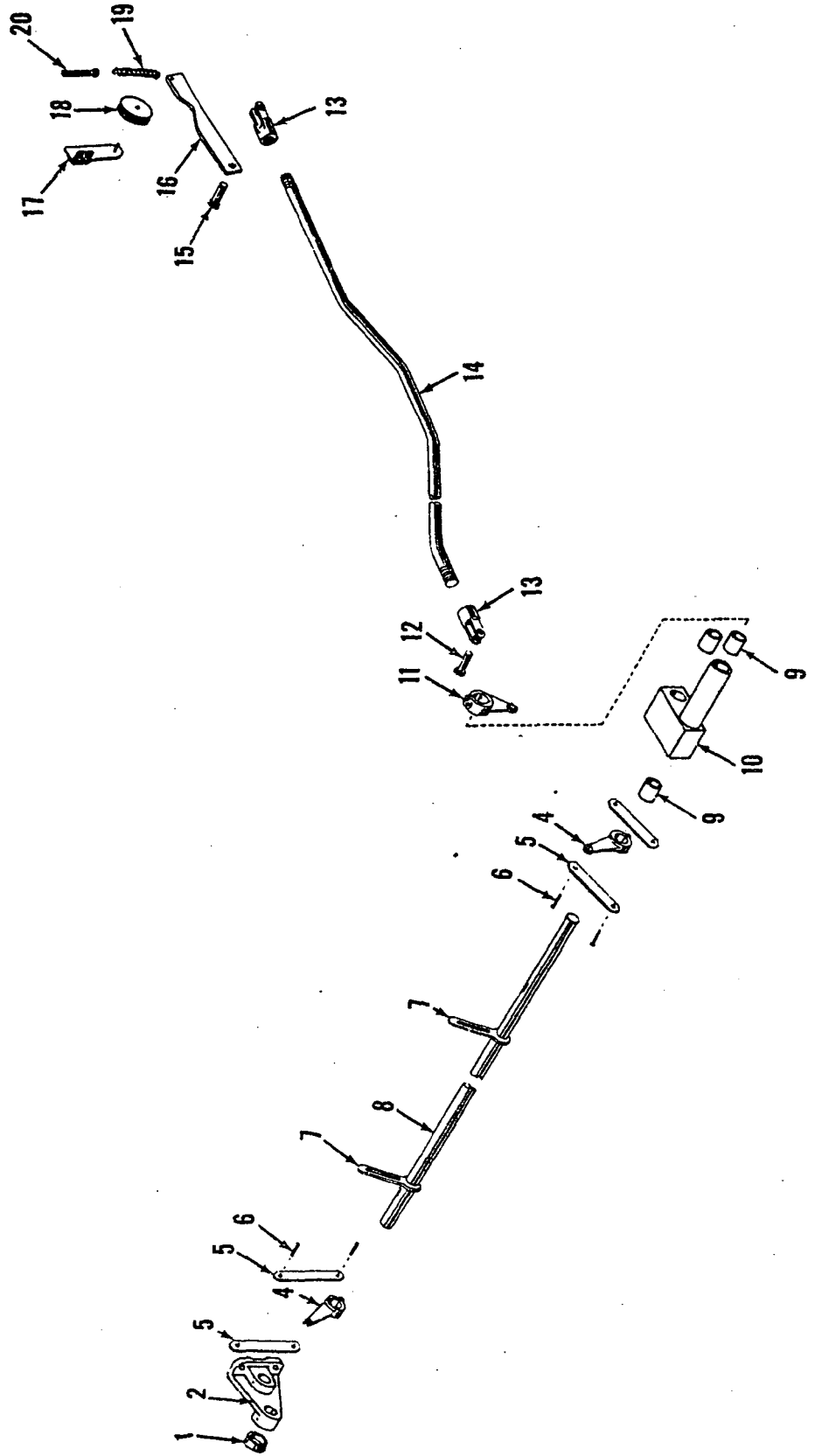
MACHINE

1
2
3
4
5
6
7
8
9
10
11
12
13
14
15
16
17
18
19
20
21
22
23
24
25
26
27
28
29
30
31
32
33
34
35
36
37
38
39
40
41
42
43
44
45
46
47
48
49
50

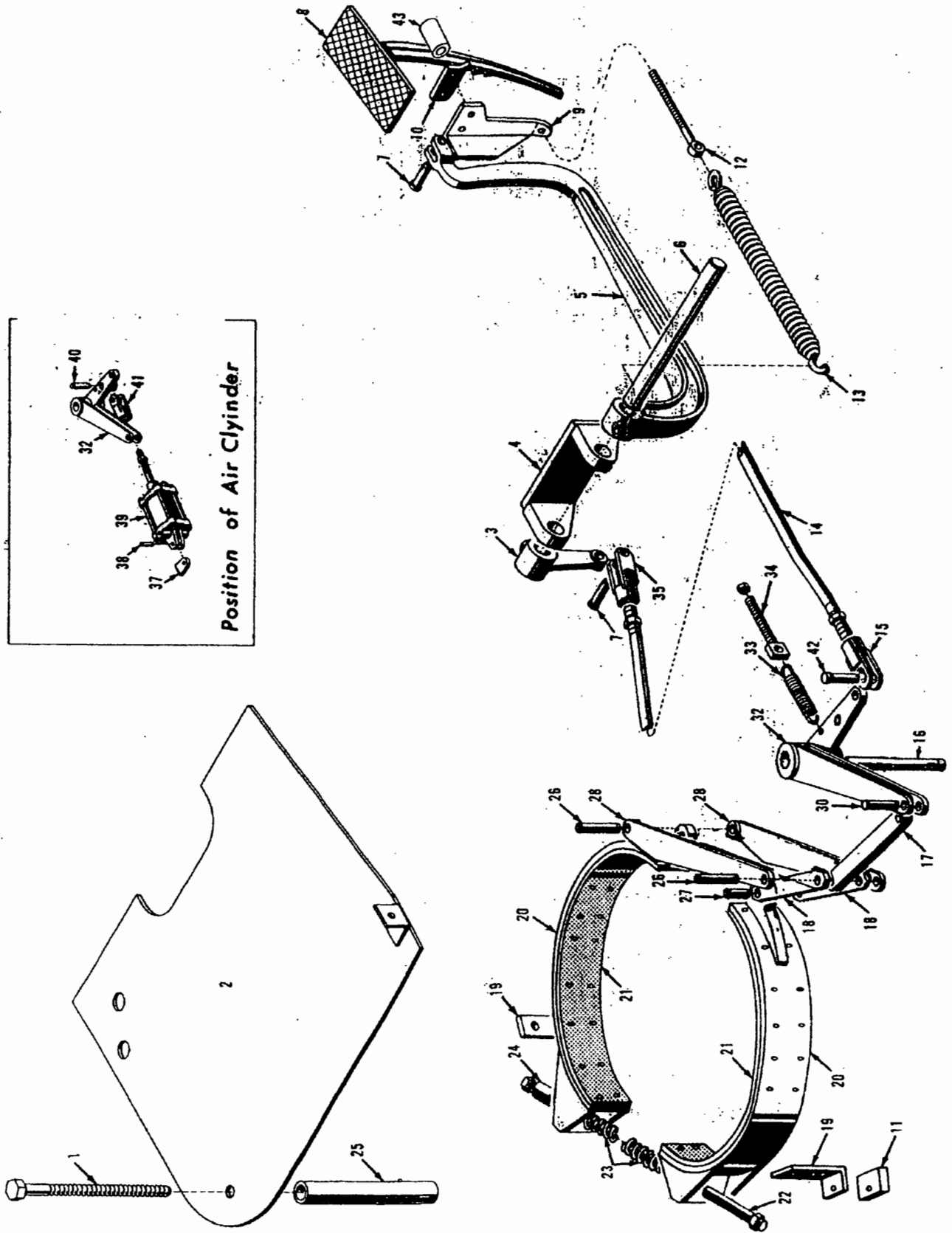
A
B
C
D
E
F
G
H
I
J
K
L
M
N
O
P
Q
R
S
T
U
V
W
X
Y
Z

1
2
3
4
5
6
7
8
9
10
11
12
13
14
15
16
17
18
19
20
21
22
23
24
25
26
27
28
29
30
31
32
33
34
35
36
37
38
39
40
41
42
43
44
45
46
47
48
49
50

DO NOT SCALE THIS DRAWING



MASTER



Position of Air Cylinder

42394C1

MATERIAL LIST ON BACK

SWING BRAKE

43132-1 cont.	REV. F	MODEL 3000W-3100-3400-3600-3900-3900T-3900W-4000-4000W
---------------	-----------	---

MAIN DRIVE SHAFT
(VICON)

REF. NO.	PART NUMBER	QUANTITY REQUIRED	DESCRIPTION OF PART	VENDORS PART NO.
34	21733	1	COVER, Bearing w/capscrews, hex nuts, lockwashers and gr. fitting	
	257202	2	BOLT, Coupling	
35	22482	1	HOUSING, Bearing w/capscrews, hex nuts and lockwashers	
36	224909	1	BEARING, Roller	
37	15535	1 set	SHIM (1/16" set)	
38	21734	1	COVER, Bearing w/capscrews, hex nuts, lockwashers and gr. fitting	
	257202	2	BOLT, Coupling	
39	15548	1	SPACER	
40	15551	1	NUT, Split w/capscrews and elastic stop nuts	
41	73236	1	SPACER	
45	224323	1	BEARING, Ball	
46	20163	1	HOUSING, Bearing w/gr. fitting (M3000-3600 incl.)	
46	23697	1	HOUSING, Bearing w/gr. fitting (M3900-3900W-3900T-4000-4000W)	
47	11535	1	NUT, Lock	
48	11536	1	PLATE, Locking w/capscrews (See Note 2)	
49	10526	1	COVER, Bearing w/capscrews and lockwashers (See Note 2)	
50	71084	2	BOLT, Coupling w/elastic stop nut (Housing No. 23697-M3900-3900T-4000-4000W)	
50	12020	1	BOLT, Coupling w/hex nuts (Housing No. 23697-M3900W)	
50	71084	1	BOLT, Coupling w/elastic stop nut (Housing No. 23697-M3900W)	
50	16786	2	BOLT, Coupling w/elastic stop nut (Housing No. 20163)	
55	596934	1	RING, Spirolox	
<u>THE FOLLOWING PARTS ARE FOR CRANE, DRAG, CLAM TRENCH HOE ONLY. FOR SHOVEL CLUTCH SEE SH. NO. 3</u>				
42	18872	1	GUARD, Spline	
43	18731	1	SPACER	
44	10525	1	COVER, Bearing w/capscrews and lockwashers	
<u>FOR INDEPENDENT SWING (NOT INCL. M3900T)</u>				
51	24718	1	SPROCKET, Drive (bolt to outer sprocket) (46T.)	
52	256245	6	BOLT, Coupling	
	548367	6	NUT, Elastic Stop	
51	91684	1	SPROCKET, Drive (bolt to outer sprocket) (71T.)	
52	257247	6	BOLT, Coupling	
	548367	6	NUT, Hex	
<u>FOR CHAIN DRIVEN IND. BOOM HOIST (NOT INCL. M3900T)</u>				
51	90618	1	SPROCKET, Drive (1-1/2"P. - 2 strand 59T) (bolt to outer sprocket)	
52	257247	6	BOLT, Coupling	
	548367	6	NUT, Elastic stop	
51	90637	1	SPROCKET, Drive (1-1/4"P. - 2 strand 45T) (bolt to outer sprocket)	
52	257247	6	BOLT, Coupling	
	548367	6	NUT, Elastic Stop	

REV. F	43132-1 cont.
-----------	---------------

PLEASE GIVE MACHINE S/N W/ORDER

CPT
Run as a Front
43132 Fl Cont -1

43923-1Cont.	REV. E	MODEL 4000-4000W
--------------	-----------	---------------------

IND. BOOM HOIST

REF. NO.	PART NUMBER	QUANTITY REQUIRED	DESCRIPTION OF PART	VENDORS PART NO.
47	225112	1	NUT, Lock	
48	622378	1	SEAL, Oil	
49	71052	1	ADAPTER W/gr. fitting, capscrews and lockwashers	
50	72004	1	COVER, Plate	
51	139518	1	DRUM, Brake (See Note)	
53	139519	1	DRUM, Aux. Brake (See Note)	
52	139518	1	KEY (1/2" x 5/8" x 5-1/2") (See Note) (Weld in #139519 Keyway)	
54	17328	1	PLATE, End (Use 2 capscrews #613876 - 1/2" - 13 NC x 2-1/2" - Gr. 5)	
			<u>MACH. W/BOOM HOIST PAWL</u> (Delete Ref. #2 - Right Side)	
2a	181289	1	DRUM, Boom Hoist Right	
			<u>MACH. W/BOOM HOIST PAWL - PRIOR TO DESIGN</u> <u>CHANGE OF OCT. 14, 1970</u> (Delete Ref. #2 and 3 - Right Side)	
2b	180593	1	DRUM, Boom Hoist Right	
3a	79558	1	WEDGE, Anchor (Straight) (7/8" wire rope)	
			NOTE: Ref. Nos. 51, 52, 53 are per design change of 2-12-71. Prior to this change the following were used:	
51	77848	1	DRUM, Brake	
52	77850	1	KEY (3/8" x 1/2" x 5") W/roll pin	
53	77849	1	DRUM, Aux. Brake	

REV. E	43923 - 1
-----------	-----------

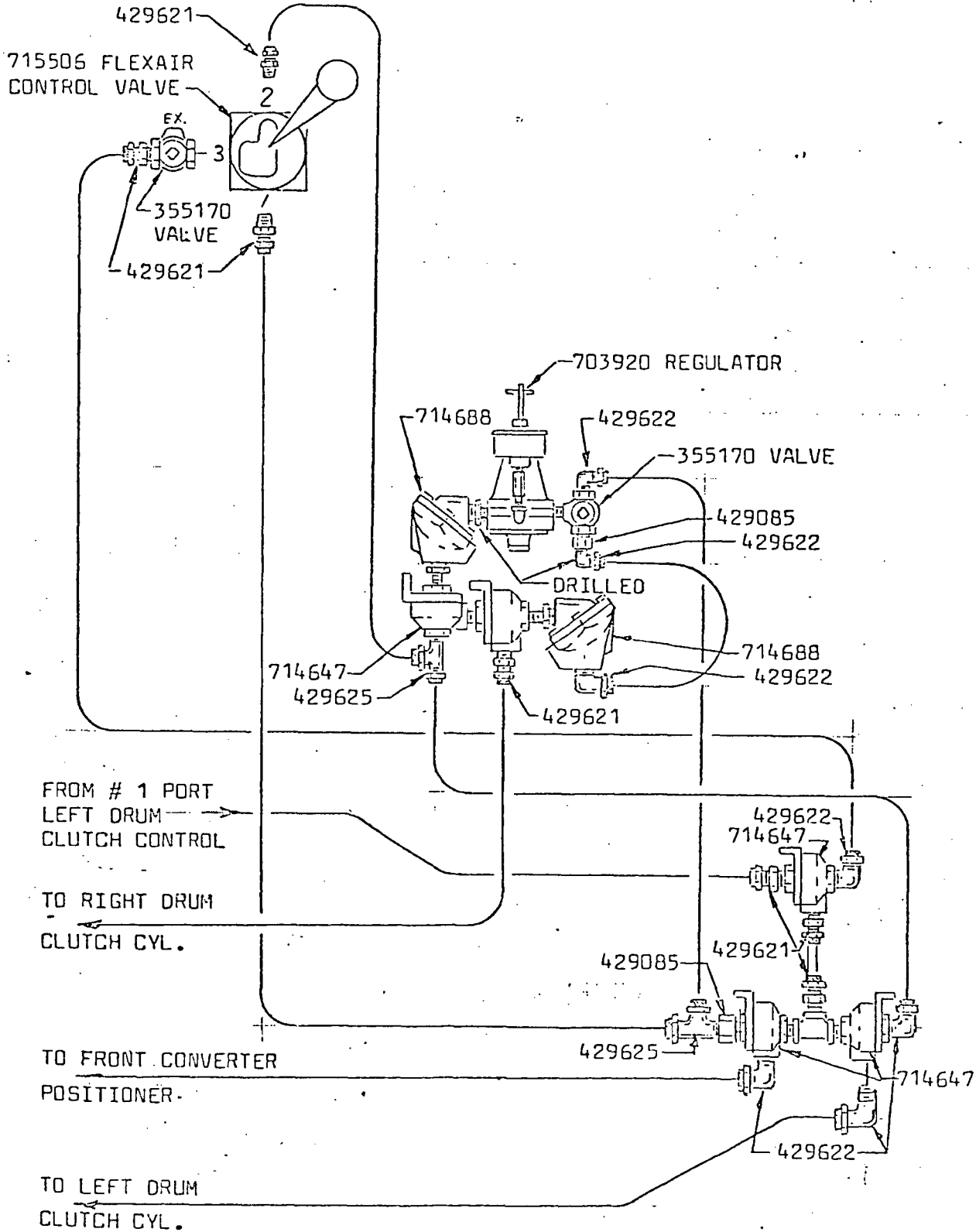
PLEASE GIVE MACHINE S/N W/ORDER

43923-1

MACH

43923-1

MASTER

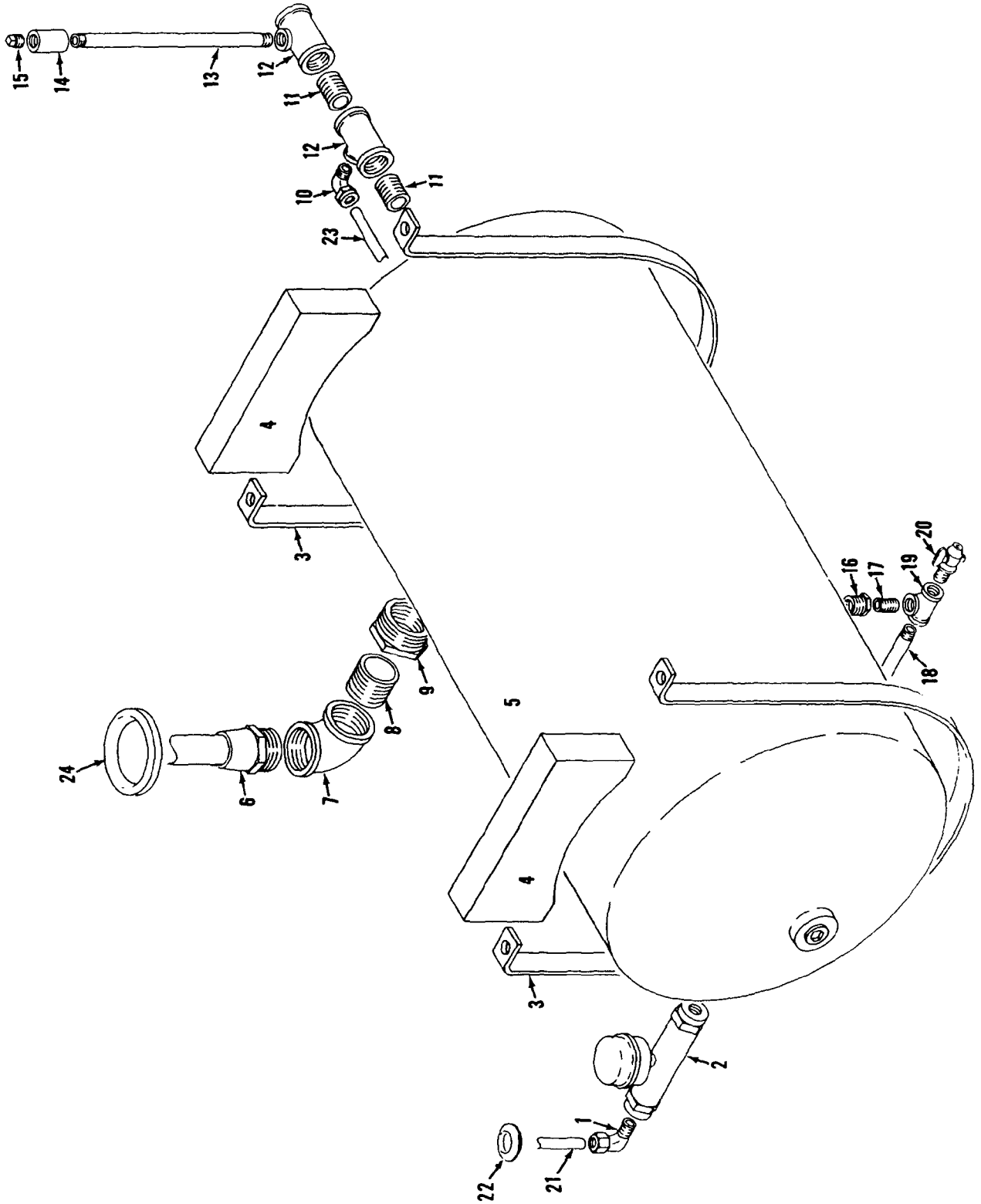


NOTE: This schematic is drawn from the front of the machine thru the front window.

MANITOWOC ENGINEERING CO.

A Division of The Manitowoc Company, Inc.

Manitowoc, Wisconsin



4201383

MATERIAL LIST ON BACK

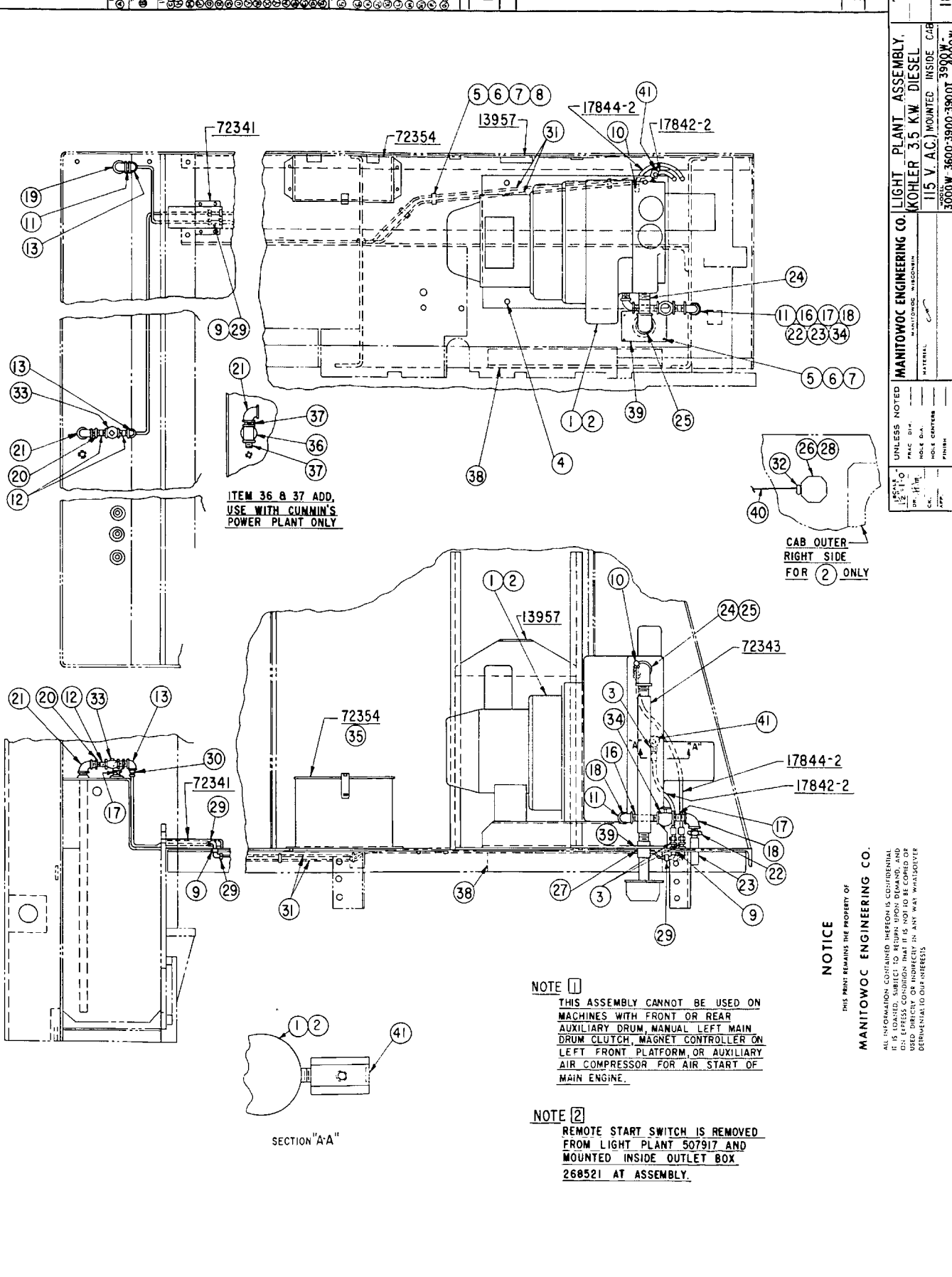
AIR TANK

4201383 B3

BILL OF MATERIAL		REMARKS	
ITEM NO.	QTY.	DESCRIPTION	
1	1	WAS 543809	
2	1	WAS 543809	
3	1	WAS 543809	
4	1	WAS 543809	
5	1	WAS 543809	
6	1	WAS 543809	
7	1	WAS 543809	
8	1	WAS 543809	
9	1	WAS 543809	
10	1	WAS 543809	
11	1	WAS 543809	
12	1	WAS 543809	
13	1	WAS 543809	
14	1	WAS 543809	
15	1	WAS 543809	
16	1	WAS 543809	
17	1	WAS 543809	
18	1	WAS 543809	
19	1	WAS 543809	
20	1	WAS 543809	
21	1	WAS 543809	
22	1	WAS 543809	
23	1	WAS 543809	
24	1	WAS 543809	
25	1	WAS 543809	
26	1	WAS 543809	
27	1	WAS 543809	
28	1	WAS 543809	
29	1	WAS 543809	
30	1	WAS 543809	
31	1	WAS 543809	
32	1	WAS 543809	
33	1	WAS 543809	
34	1	WAS 543809	
35	1	WAS 543809	
36	1	WAS 543809	
37	1	WAS 543809	
38	1	WAS 543809	
39	1	WAS 543809	
40	1	WAS 543809	
41	1	WAS 543809	

ITEM NO.	QTY.	DESCRIPTION	REMARKS
1	1	WAS 543809	
2	1	WAS 543809	
3	1	WAS 543809	
4	1	WAS 543809	
5	1	WAS 543809	
6	1	WAS 543809	
7	1	WAS 543809	
8	1	WAS 543809	
9	1	WAS 543809	
10	1	WAS 543809	
11	1	WAS 543809	
12	1	WAS 543809	
13	1	WAS 543809	
14	1	WAS 543809	
15	1	WAS 543809	
16	1	WAS 543809	
17	1	WAS 543809	
18	1	WAS 543809	
19	1	WAS 543809	
20	1	WAS 543809	
21	1	WAS 543809	
22	1	WAS 543809	
23	1	WAS 543809	
24	1	WAS 543809	
25	1	WAS 543809	
26	1	WAS 543809	
27	1	WAS 543809	
28	1	WAS 543809	
29	1	WAS 543809	
30	1	WAS 543809	
31	1	WAS 543809	
32	1	WAS 543809	
33	1	WAS 543809	
34	1	WAS 543809	
35	1	WAS 543809	
36	1	WAS 543809	
37	1	WAS 543809	
38	1	WAS 543809	
39	1	WAS 543809	
40	1	WAS 543809	
41	1	WAS 543809	

UNLESS NOTED OTHERWISE, ALL DIMENSIONS ARE IN INCHES.



ITEM 36 & 37 ADD,
USE WITH CUMMIN'S
POWER PLANT ONLY

CAB OUTER
RIGHT SIDE
FOR 2 ONLY

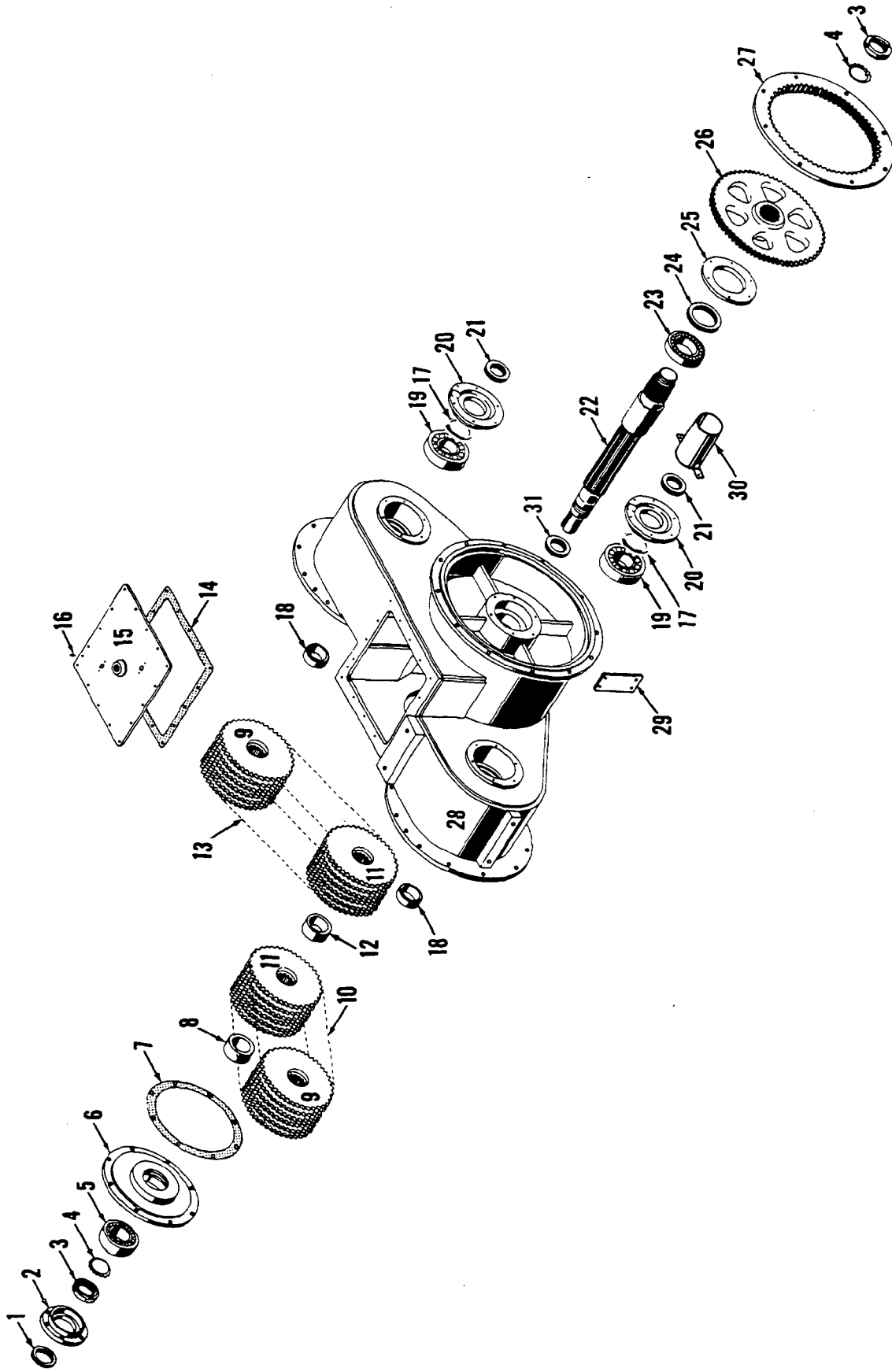
NOTE 1
THIS ASSEMBLY CANNOT BE USED ON
MACHINES WITH FRONT OR REAR
AUXILIARY DRUM, MANUAL LEFT MAIN
DRUM CLUTCH, MAGNET CONTROLLER ON
LEFT FRONT PLATFORM, OR AUXILIARY
AIR COMPRESSOR FOR AIR START OF
MAIN ENGINE.

NOTE 2
REMOTE START SWITCH IS REMOVED
FROM LIGHT PLANT 507917 AND
MOUNTED INSIDE OUTLET BOX
268521 AT ASSEMBLY.

NOTICE
THIS PRINT REMAINS THE PROPERTY OF
MANITOWOC ENGINEERING CO.
ALL INFORMATION CONTAINED HEREON IS CONFIDENTIAL
IT IS LOANED, SUBJECT TO RETURN UPON DEMAND, AND
IS NOT TO BE COPIED OR REPRODUCED IN ANY MANNER
DETERIMENTAL TO OUR INTERESTS.

DATE	6-21-68
REVISED DATE	3-30-72
DWG. NO.	180468
DATE	6-21-68
PATTERN NO.	
CODE NO.	
QUANTITY	
DESCRIPTION	LIGHT PLANT ASSEMBLY, KOHLER 3.5 KW. DIESEL 115 V. A.C. MOUNTED INSIDE CAB
ITEM NO.	180468

DO NOT SCALE THIS DRAWING



42748G1

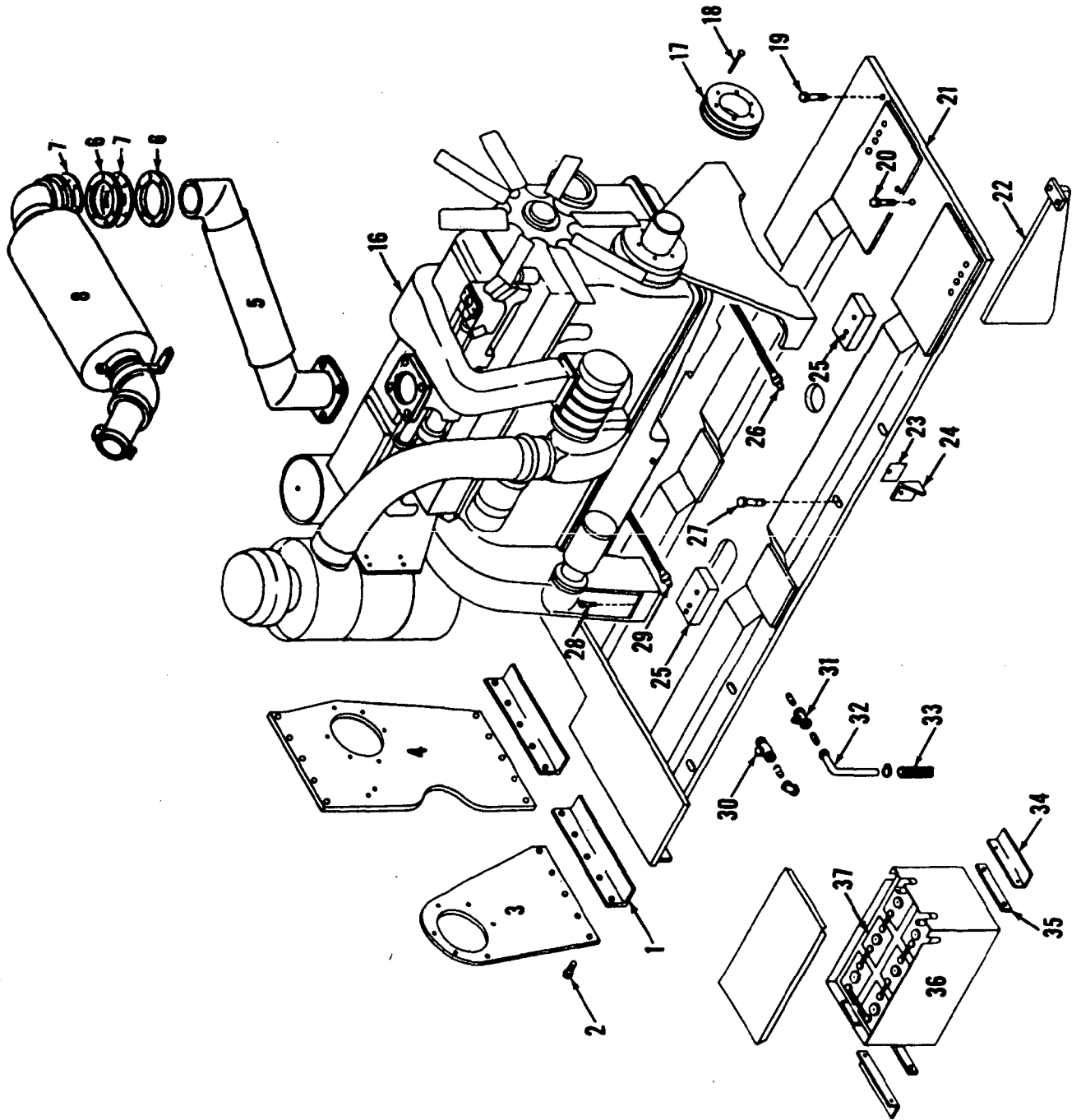
MATERIAL LIST ON BACK

TRANSMISSION CASE ASSEMBLY

MANITOWOC ENGINEERING CO.

A Division of The Manitowoc Company, Inc.

Manitowoc, Wisconsin



43233C1

MATERIAL LIST ON BACK

POWER PLANT

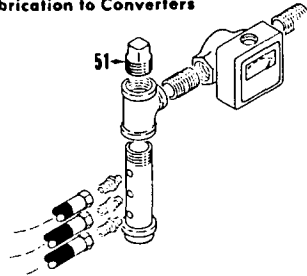
MANITOWOC ENGINEERING CO.

A Division of The Manitowoc Company, Inc.

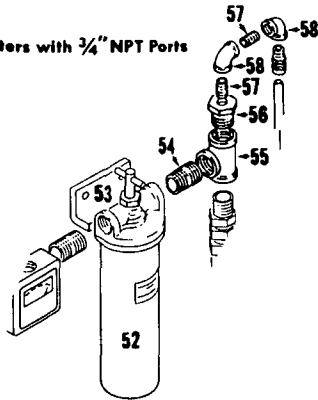
Manitowoc, Wisconsin

MASTER

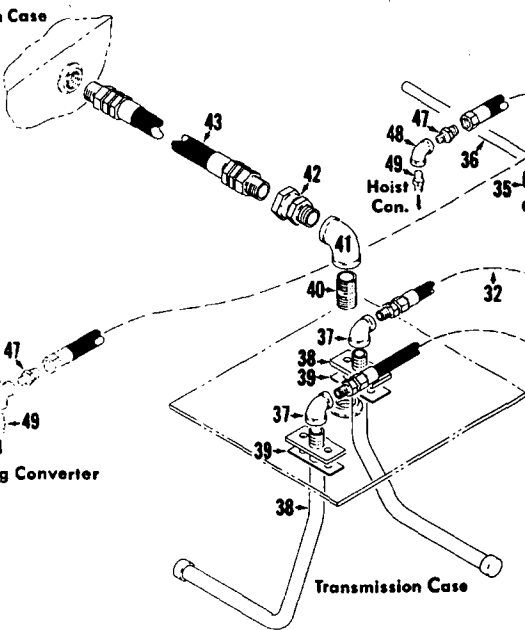
Machines w/out Forced Oil Lubrication to Converters



Filters with 3/4" NPT Ports



Chain Case



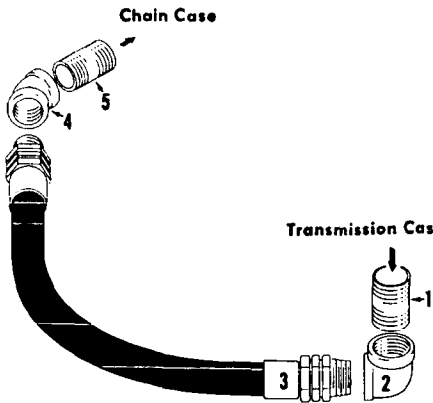
Swing Converter

Transmission Case

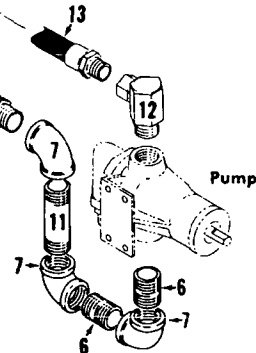
Chain Case Sump

Operators Compartment

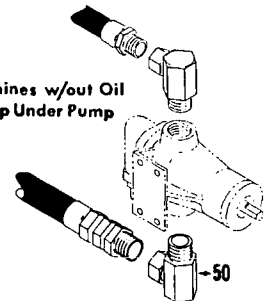
Chain Case



Transmission Case Drain



Machines w/out Oil Trap Under Pump



48648B5

MATERIAL LIST ON BACK

LUBRICATION PIPING

43894-A5 Back

CLICK HERE TO **DOWNLOAD** THE COMPLETE MANUAL

- Thank you very much for reading the preview of the manual.
- You can download the complete manual from: www.heydownloads.com by clicking the link below



- Please note: If there is no response to CLICKING the link, please download this PDF first and then click on it.

CLICK HERE TO **DOWNLOAD** THE COMPLETE MANUAL

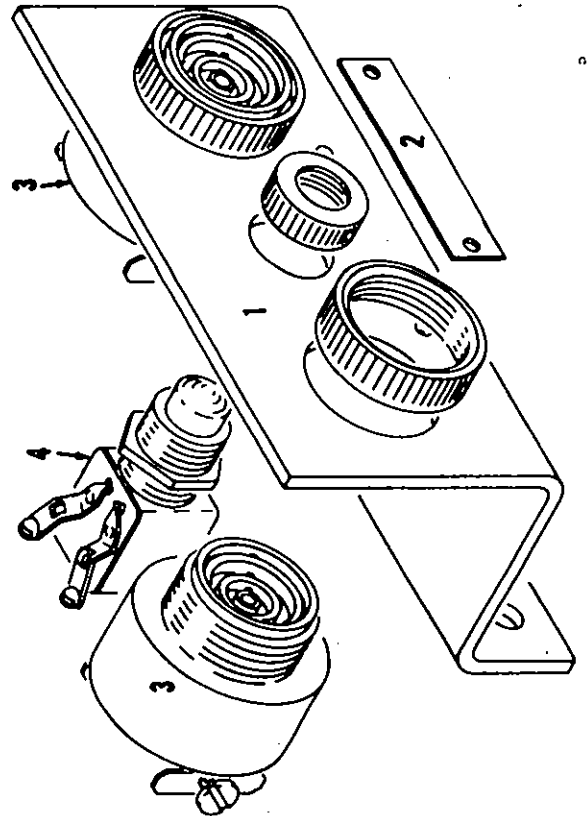
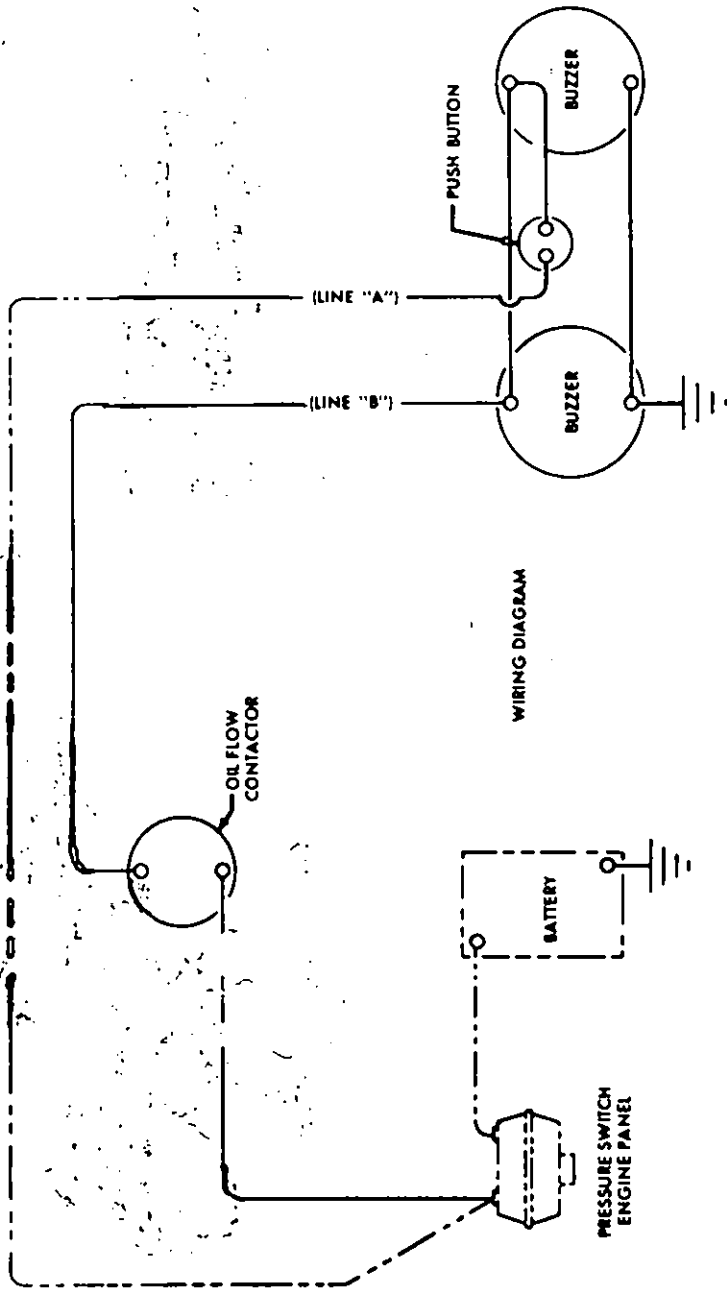
91292A Retain in Crane Folder

MASTER

MANITOWOC ENGINEERING CO.

A Division of The Manitowoc Company, Inc

Manitowoc, Wisconsin



91292A1

MATERIAL LIST ON BACK

ALARM DEVICE ASSEMBLY

PARTS MANUAL ALPHABETICAL INDEX
Group E - Lower Structure & Control

DESCRIPTION	PUBLICATION	REV	START DATE	END DATE	GROUP
Carbody	43369	J1	09/21/64	02/07/85	E0101
Carbody Lubrication Piping	32233	B1	08/07/59	08/31/83	E0102
Crawler Lubrication Piping	180239	C2	03/25/68	04/25/85	E0202
Crawler Lubrication Piping	180239	E1	03/25/68	12/14/84	E0202
Crawlers	43148	Q1	09/18/63	01/13/86	E0201
Horizontal Travel Shaft	32907	B1	09/04/63	02/14/84	E0401
King Pin & Vertical Travel Shaft	33098	E1	08/21/64	10/12/81	E0301
Steering Control	20729	A1	05/14/41		E0501
Steering Control	42396	A1	05/11/59		E0501
Steering Control	42396	C2	05/11/59	07/07/81	E0501
Steering Control	42396	E1	09/15/60	01/24/84	E0501
Travel Lock Control	31743	H1	07/12/56	04/24/69	E0601

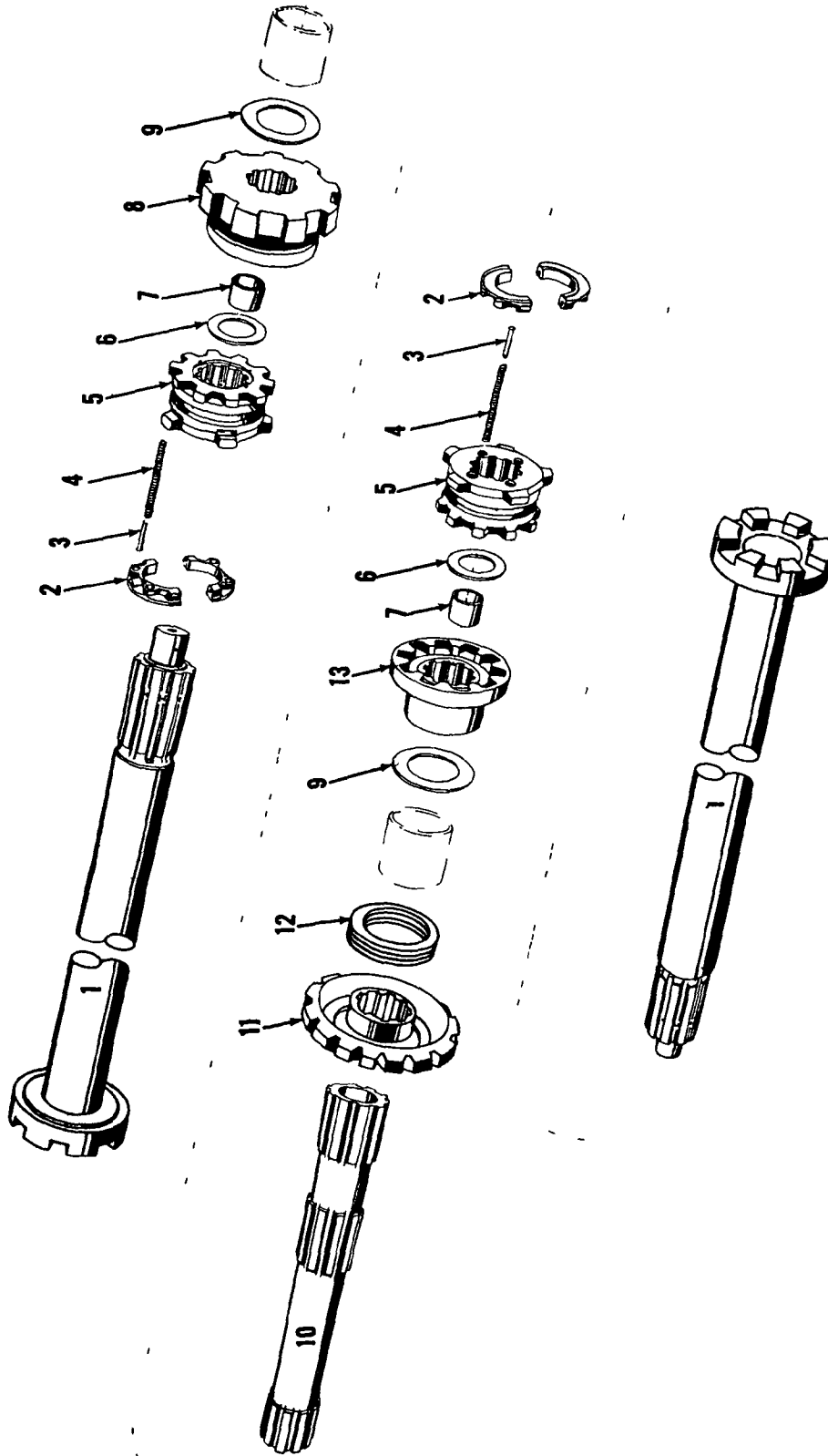
3287 A1

MASTER

MANITOWOC ENGINEERING CO

A Division of The Manitowoc Company Inc.

Manitowoc, Wisconsin



32907A1

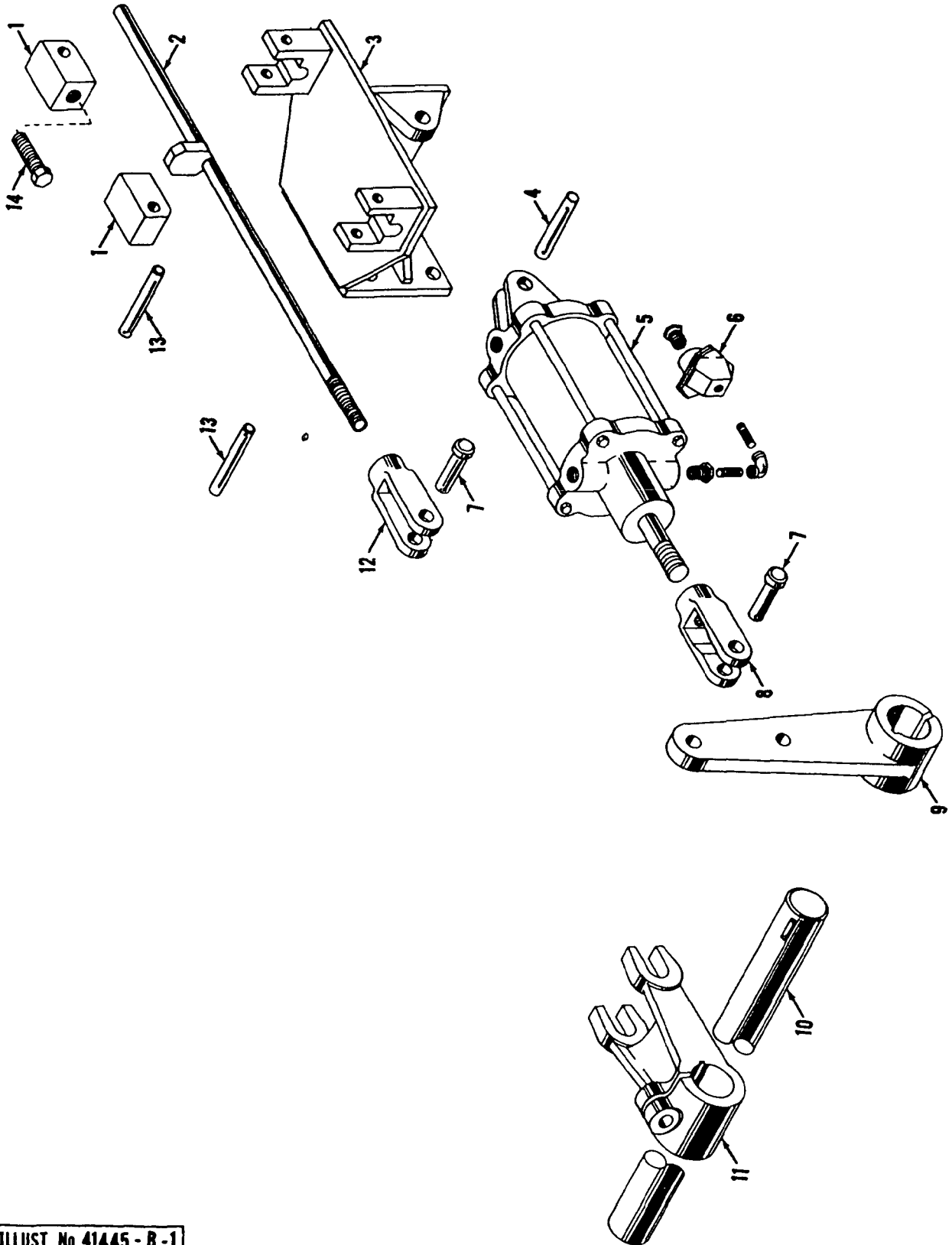
MATERIAL LIST ON BACK

HORIZONTAL TRAVEL SHAFT

MANITOWOC ENGINEERING CO

A Division of The Manitowoc Company Inc.

Manitowoc, Wisconsin



MASTER

Back

ILLUST No 41445-B-1

MATERIAL LIST ON BACK

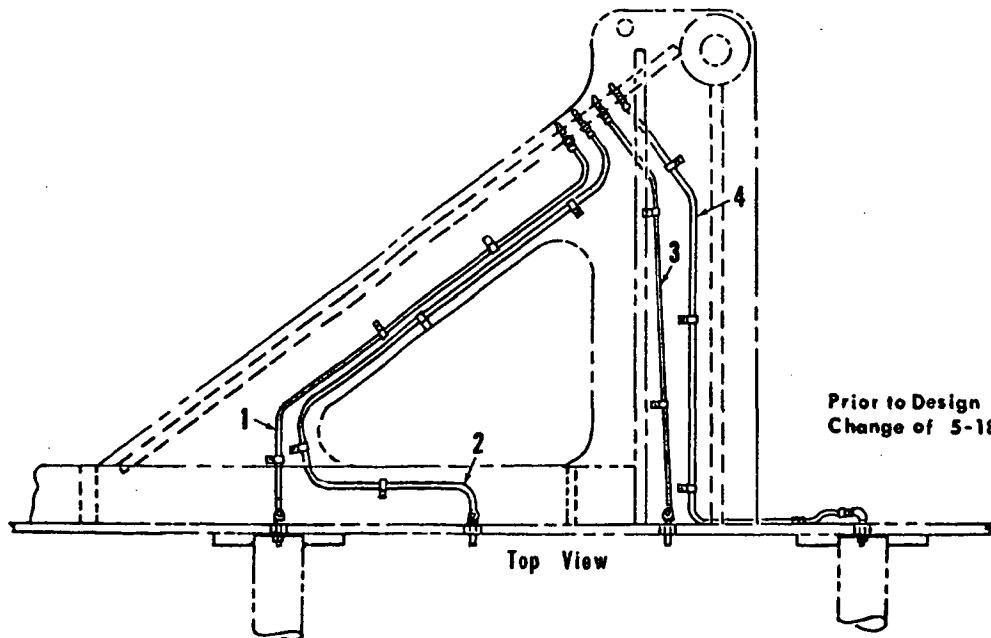
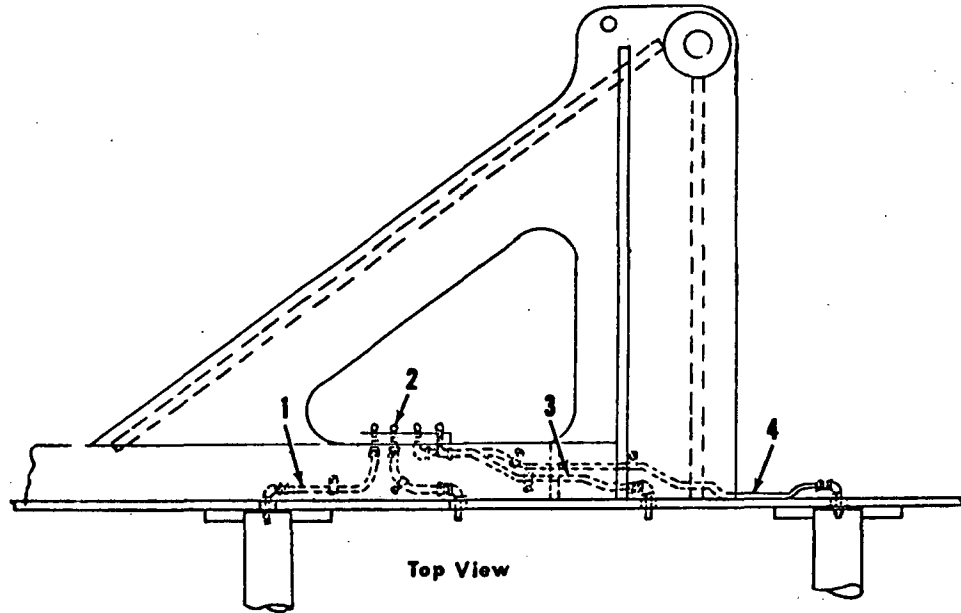
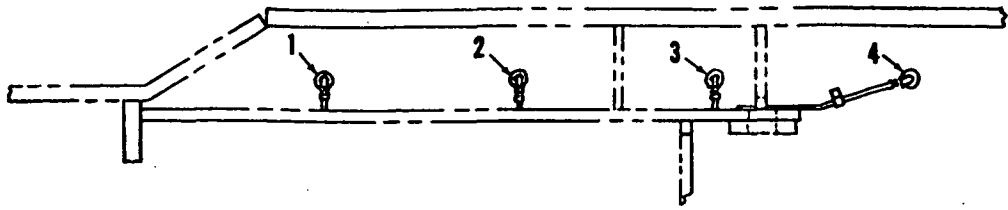
STEERING CONTROL ASSEMBLY - ROTATING BED

17 20
se 42

MANITOWOC ENGINEERING CO.

A Division of The Manitowoc Company, Inc.

Manitowoc, Wisconsin



18023981

MATERIAL LIST ON BACK

LUB. PIPING

MASTER

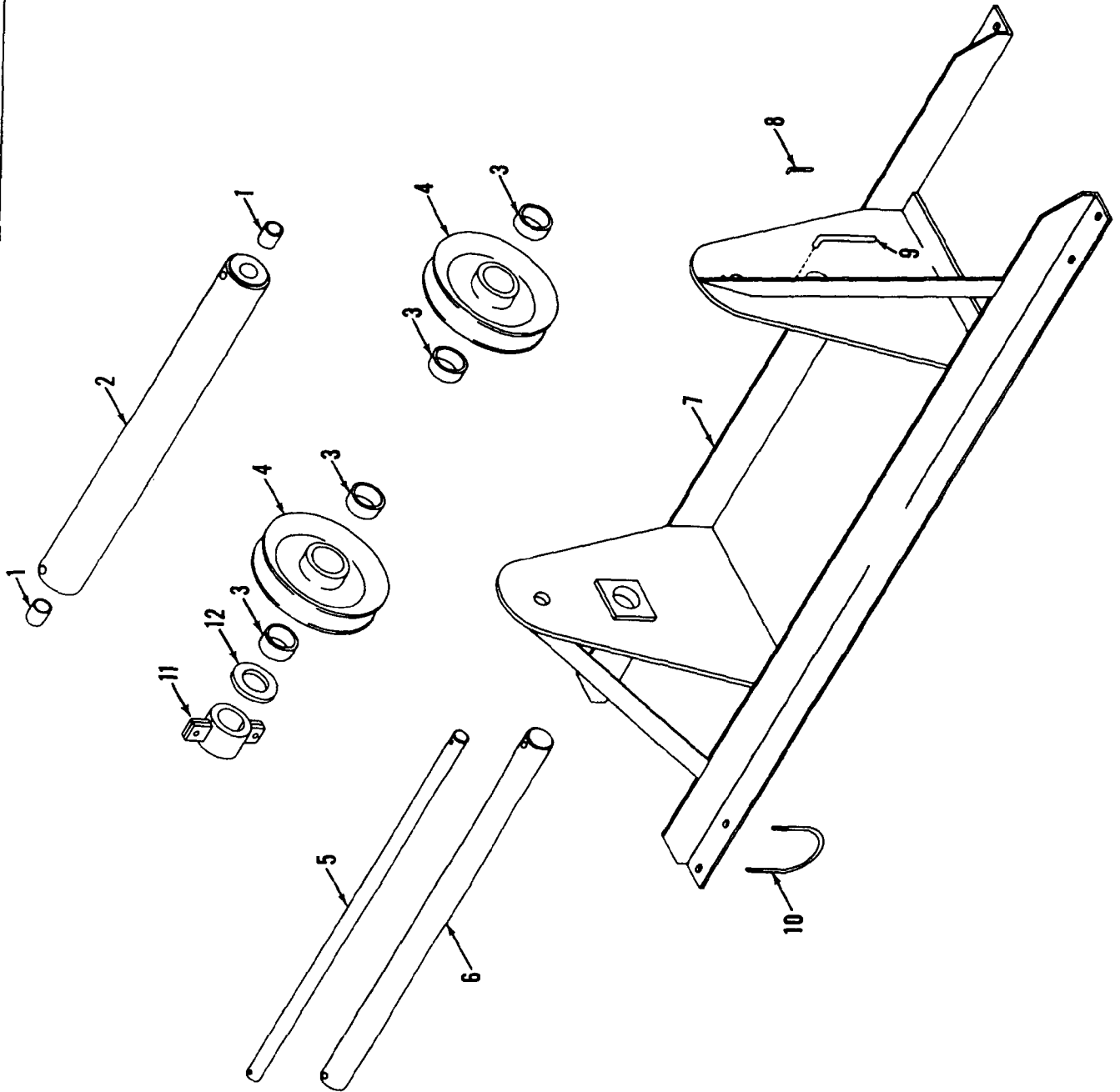
18023981 D

MANITOWOC ENGINEERING CO.

A Division of The Manitowoc Company, Inc.

Manitowoc, Wisconsin

MASTER



MATERIAL LIST ON BACK

CABLE GUIDE

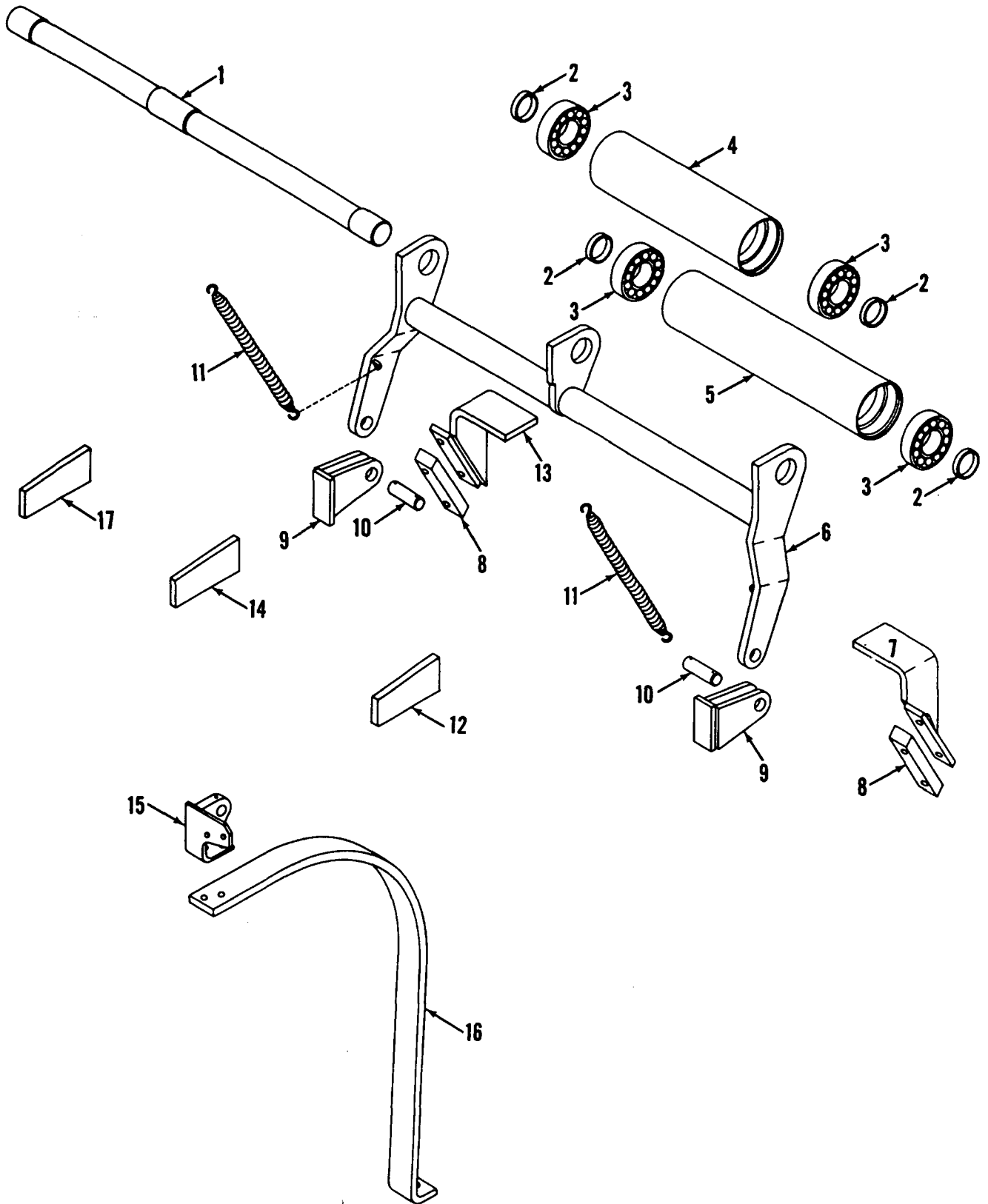
3286681

MANITOWOC ENGINEERING CO.

A Division of The Manitowoc Company, Inc.

Manitowoc, Wisconsin

MASTER



42956A1

MATERIAL LIST ON BACK

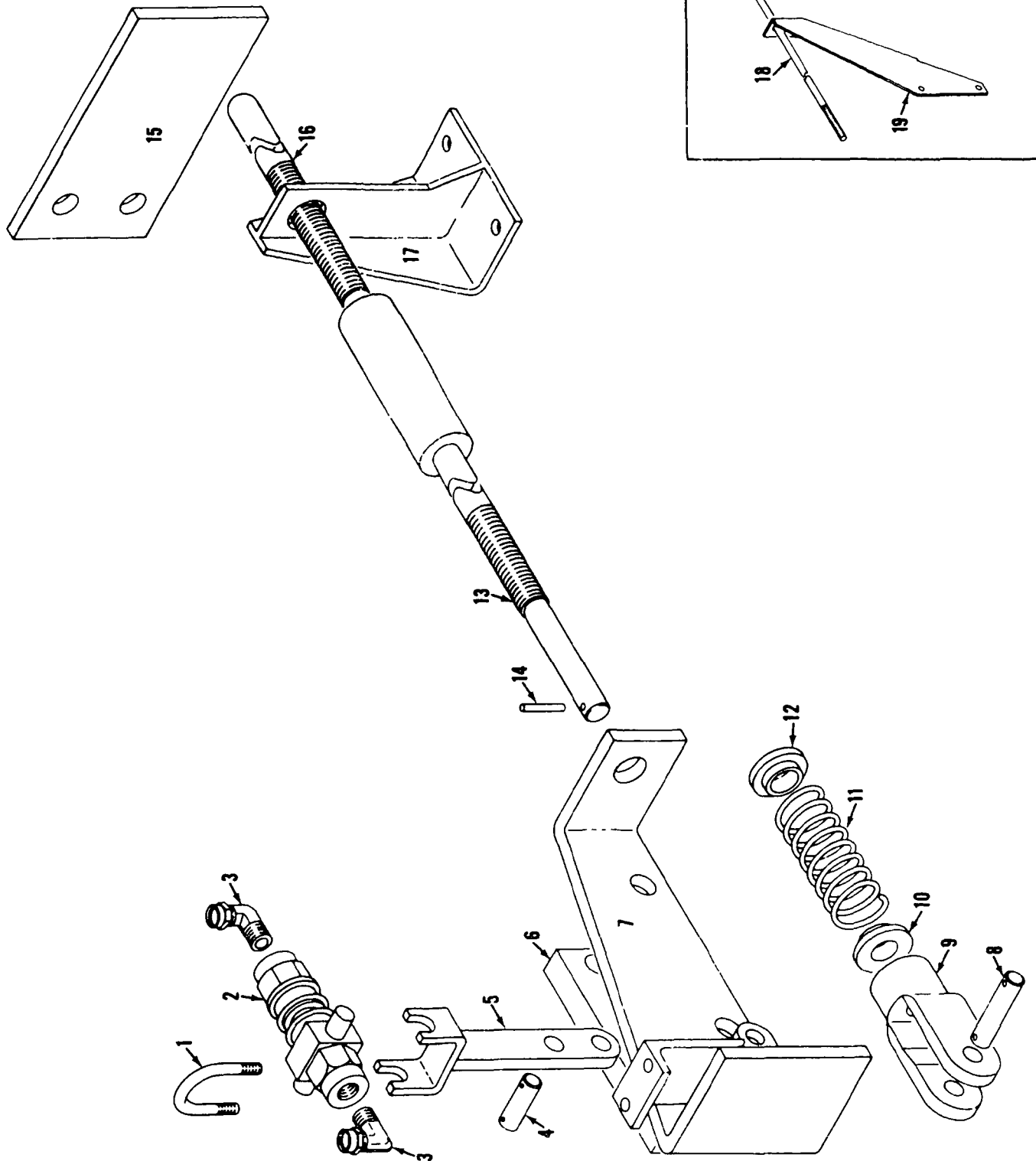
CABLE GUIDE ROLLER

42956 A1

MANITOWOC ENGINEERING CO.

A Division of The Manitowoc Company, Inc.

Manitowoc, Wisconsin



48222A1

MATERIAL LIST ON BACK

BOOM STOP

48222A1

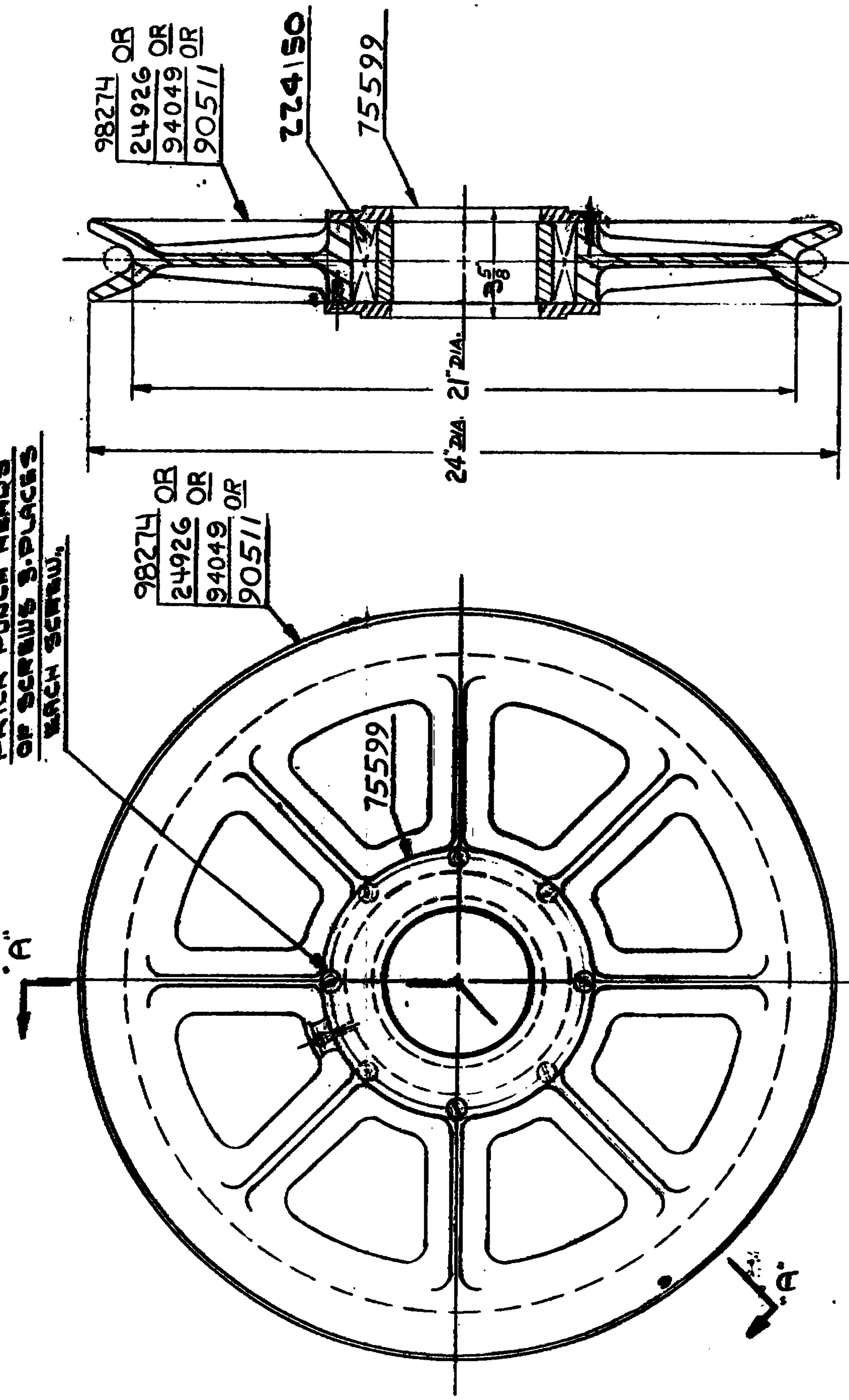
-F7.1-

DWG. NO. 77436 CODE NO. PATTERN NO.	SHEAVE ASSEMBLY FOR CABLE GUIDE ASSEMBLY #22 BOOM(TOP) MODEL 4000 W	SCALE 3:1 O DR. R.L.T. CR. GA APP.	UNLESS NOTED PRACT. DIM. HOLE DIA. HOLE CENTERS FINISH	MANITOWOC ENGINEERING CO. MANITOWOC, WISCONSIN MATERIAL DATE 2-1-66 REVISED DATE 11-27-68 L.J.E WIRE ROPE SIZE CHANGED
PRICK PUNCH HEADS OF SCREWS 3 PLACES EACH SCREW				
NO. REQ. 1 2 1	DRWG. NO. 77452 77435 224003	TITLE SHEAVE RETAINING PLATE BEARING		
NOTICE THIS PRINT REMAINS THE PROPERTY OF MANITOWOC ENGINEERING CO. ALL INFORMATION CONTAINED HEREON IS CONFIDENTIAL AND IS NOT TO BE REPRODUCED, COPIED, OR DISSEMINATED IN ANY MANNER WITHOUT THE EXPRESS PERMISSION OF MANITOWOC ENGINEERING CO. USED DIRECTLY OR INDIRECTLY IN ANY WAY WHATSOEVER DETRIMENTAL TO OUR INTERESTS.		ASSEMBLIES USED ON 33686 33634	DWG. NO. 77436	

01506

ASSEMBLIES
USED ON
90572
90573
180617
98258

PRICK PUNCH MARKS
OF SCREWS IN PLACES
OF EACH SCREW.



NO.	REQ.	QTY.	PART NO.	TITLE
2		1	75599	RETAINING PLATE
(A)		1	90511	SHEAVE - FOR 1 1/8" WIRE ROPE
(B)		1	94049	SHEAVE - FOR 1 1/4" WIRE ROPE
(C)		1	224150	BEARING
(A)		1	24926	SHEAVE - FOR 1" WIRE ROPE
(B)		1	98274	SHEAVE - FOR 1 3/8" WIRE ROPE

SEC. A-A

MANITOWOC ENGINEERING CO. MANITOWOC, WISCONSIN	
REVISED DATE 3-22-74 K.B.W.	SPEEDCRANE-MODEL 3900 - 4000 - 41000W
(A) ADDED	SHEAVE ASSEM.
(B) ADDED	ROLLER BEARING
(C) ADDED	
DATE 7-23-64	PATTERN NO.
DR. H.H.S. CR. E.H.V.	MATERIAL
SCALE 3" = 1'-0"	CODE NO.
	DWG. NO. 90510

90510

DO NOT SCALE THIS DRAWING

MP
A B C

O-Number

MANITOWOC ENGINEERING CO.

Division of The Manitowoc Company, Inc.

Manitowoc, Wisconsin 54220



TUBING (soft copper)

Code No.	Tube O.D.
696205	3/16
696210	1/4
696214	5/16
696216	3/8
696218	1/2
696219	5/8
696220	3/4



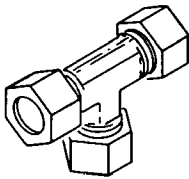
NUT

Code No.	Tube O.D.
424603	3/8
424604	1/2
424605	3/4
424633	5/16
424634	1/4
424635	3/16



FERRULE

Code No.	Tube O.D.
424600	1/4
424601	3/4
424602	3/8
424616	5/16
424617	1/2
424618	1/8
424619	3/16



UNION TEE

Code No.	Tube O.D.
429315	1/4
429316	3/8
429317	5/16



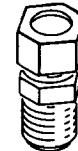
UNION

Code No.	Tube O.D.
429349	3/8
429361	1/4
429362	1/2
429397	5/16



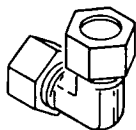
FEMALE CONNECTOR

Code No.	Tube O.D.	Pipe Thread
429312	3/16	1/8
429407	1/4	1/8
429830	1/4	1/4



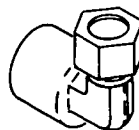
MALE CONNECTOR

Code No.	Tube O.D.	Pipe Thread
429324	3/4	3/4
429328	3/8	1/2
429351	5/16	1/8
429358	1/2	3/4
429359	1/2	3/8
429363	1/4	1/8
429364	1/4	1/4
429365	3/16	1/8
429366	3/8	1/8
429367	3/8	1/4
429368	3/8	3/8



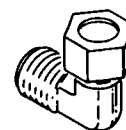
UNION ELBOW

Code No.	Tube O.D.
429372	3/8
429378	1/2
429381	1/4



FEMALE ELBOW

Code No.	Tube O.D.	Pipe Thread
429066	1/4	1/8
429825	1/4	1/4



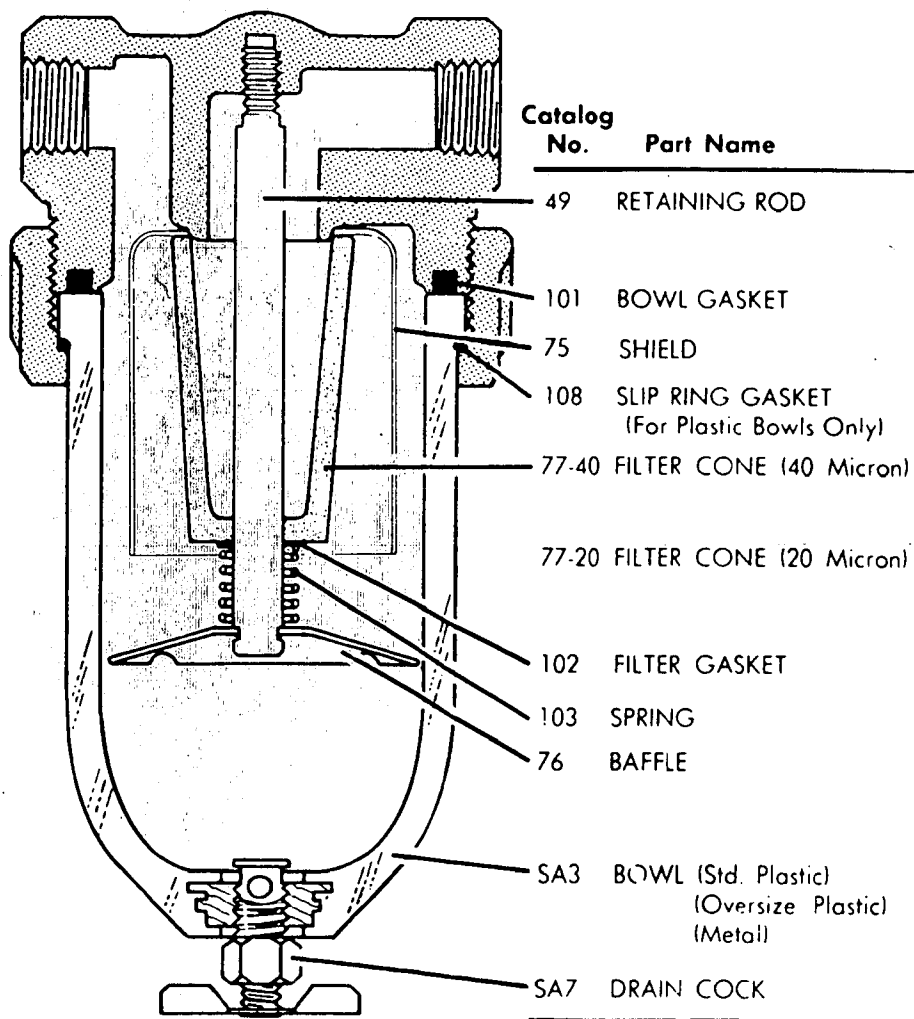
MALE ELBOW

Code No.	Tube O.D.	Pipe Thread
429371	1/2	1/2
429373	3/8	1/8
429374	1/4	1/4
429375	3/8	1/4
429376	1/2	3/8
429380	1/4	1/8
429384	3/8	1/2
429385	5/16	1/8
429386	3/16	1/8
429401	1/2	3/4
429422	3/8	3/8
429453	3/4	3/4

REPLACEMENT PARTS

Watts Air Line Filter Series 602 & 603

IMPORTANT: When ordering parts, be sure to give pipe size of filter; catalog number and name of part; type, model and serial number found on body casting.



INDUSTRIAL DIVISION

WATTS REGULATOR COMPANY

Lawrence, Massachusetts

0-176

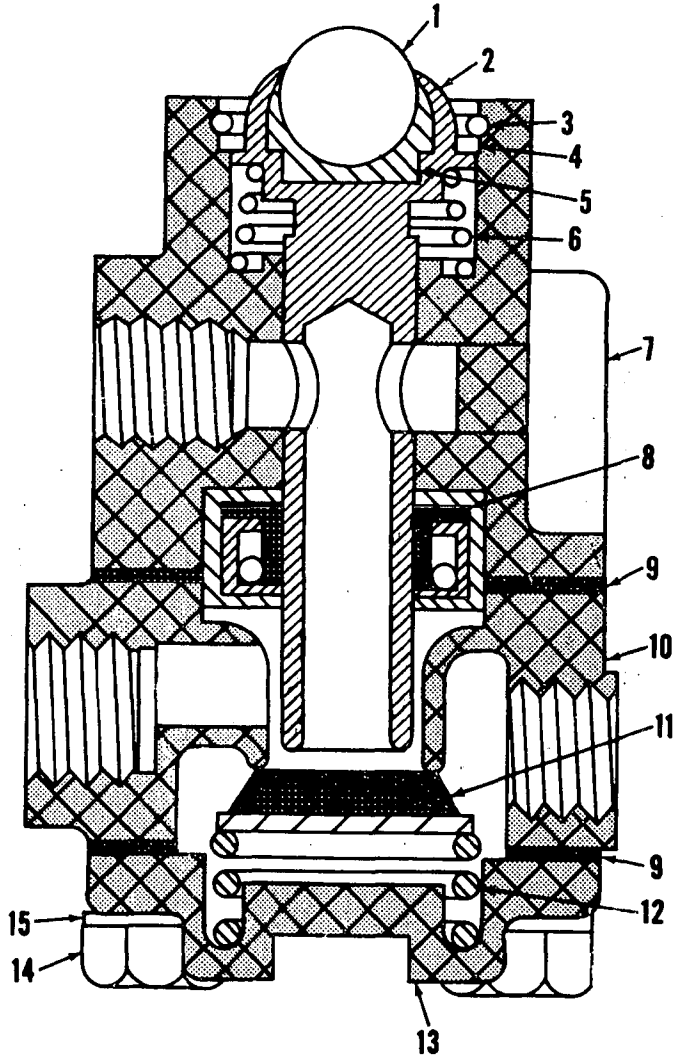
911-1

MANITOWOC ENGINEERING CO.

A Division of The Manitowoc Company, Inc.

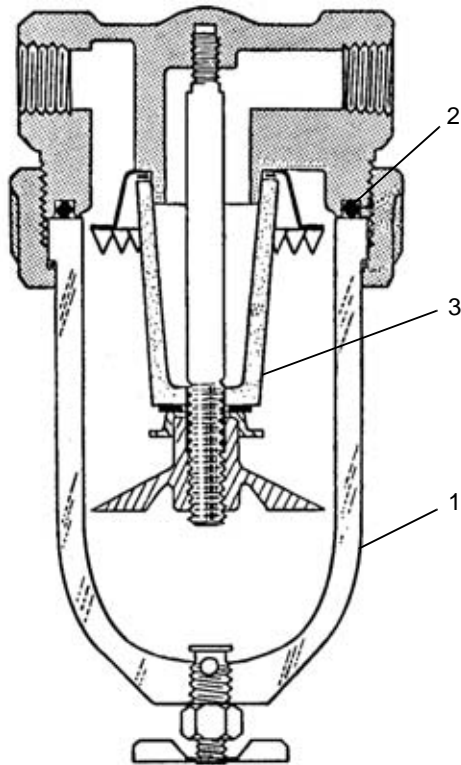
Manitowoc, Wisconsin

MASTER

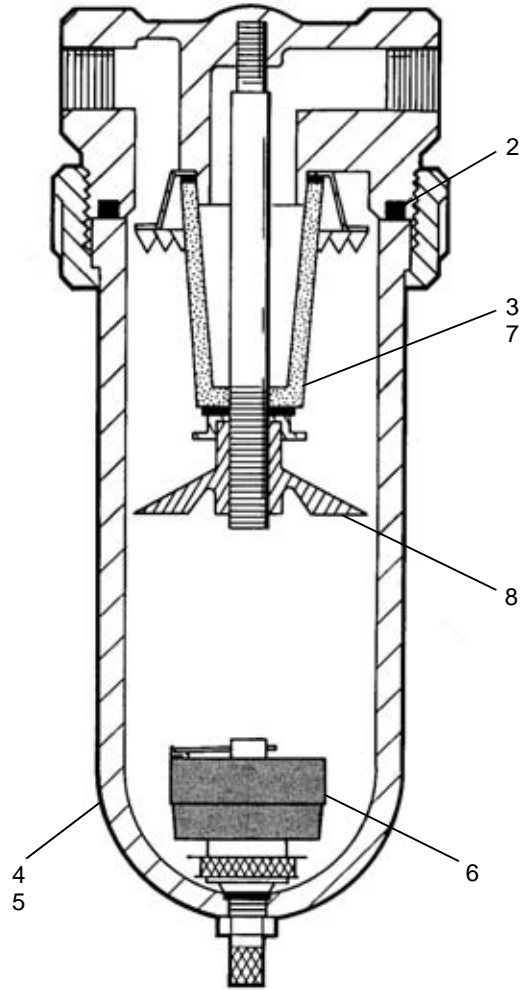


0 250 A 1

O-250A 1

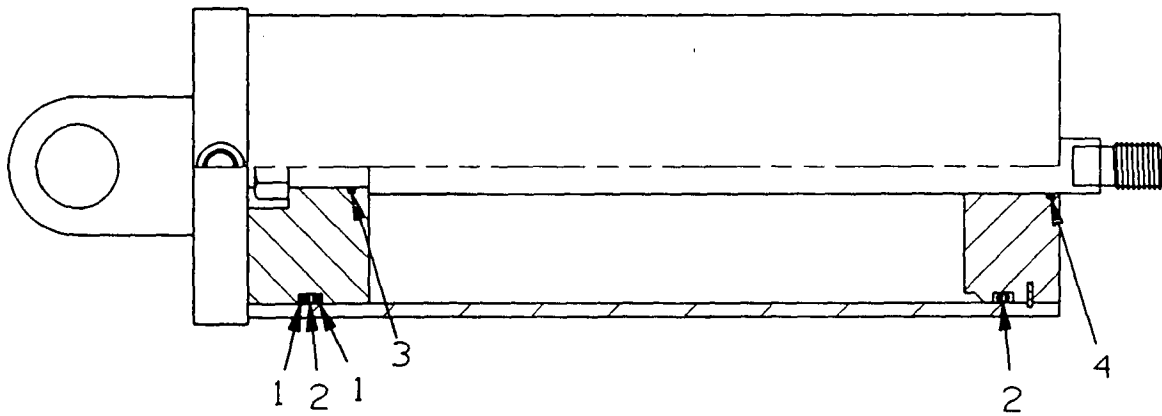


427066

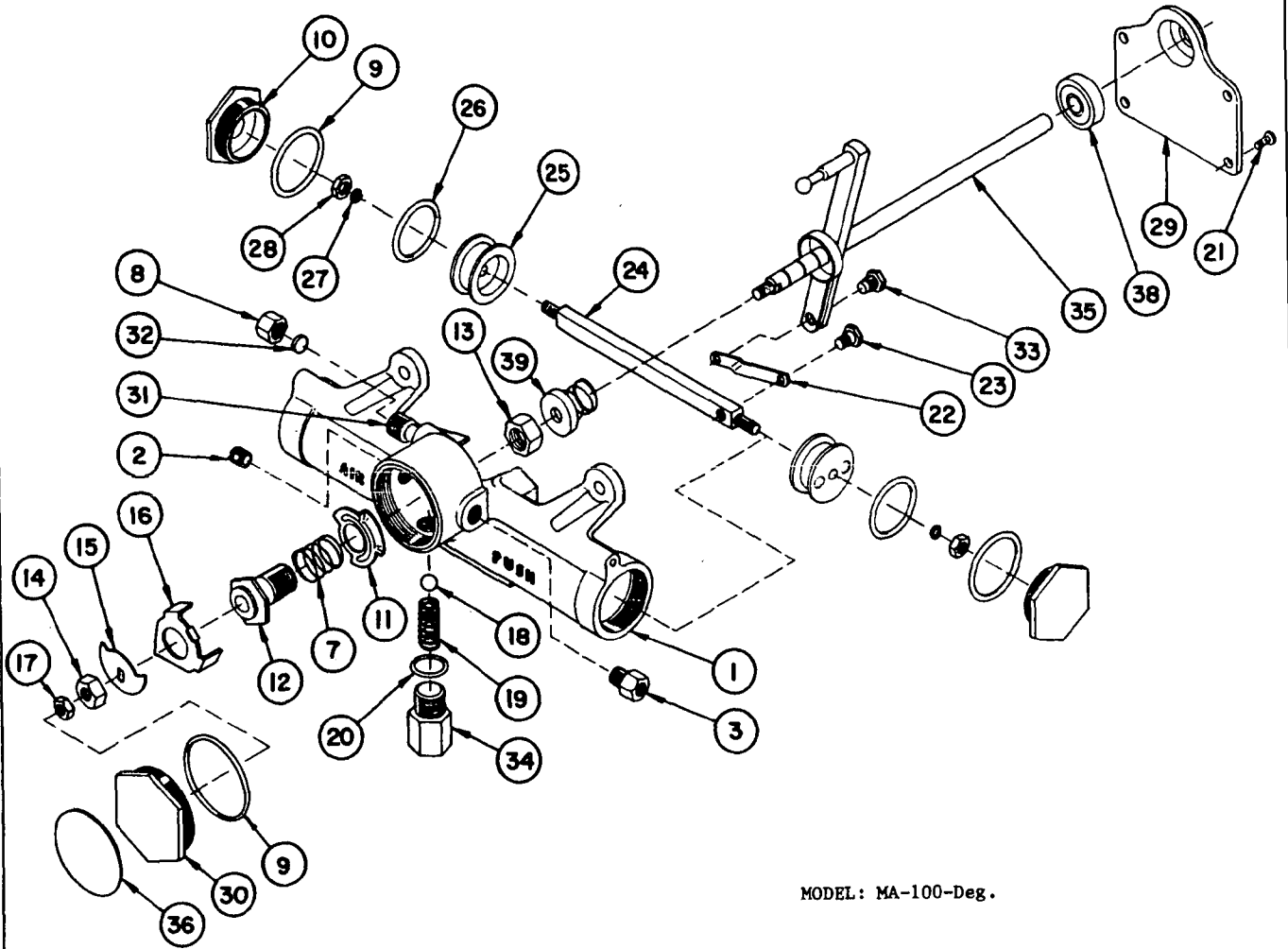


427130

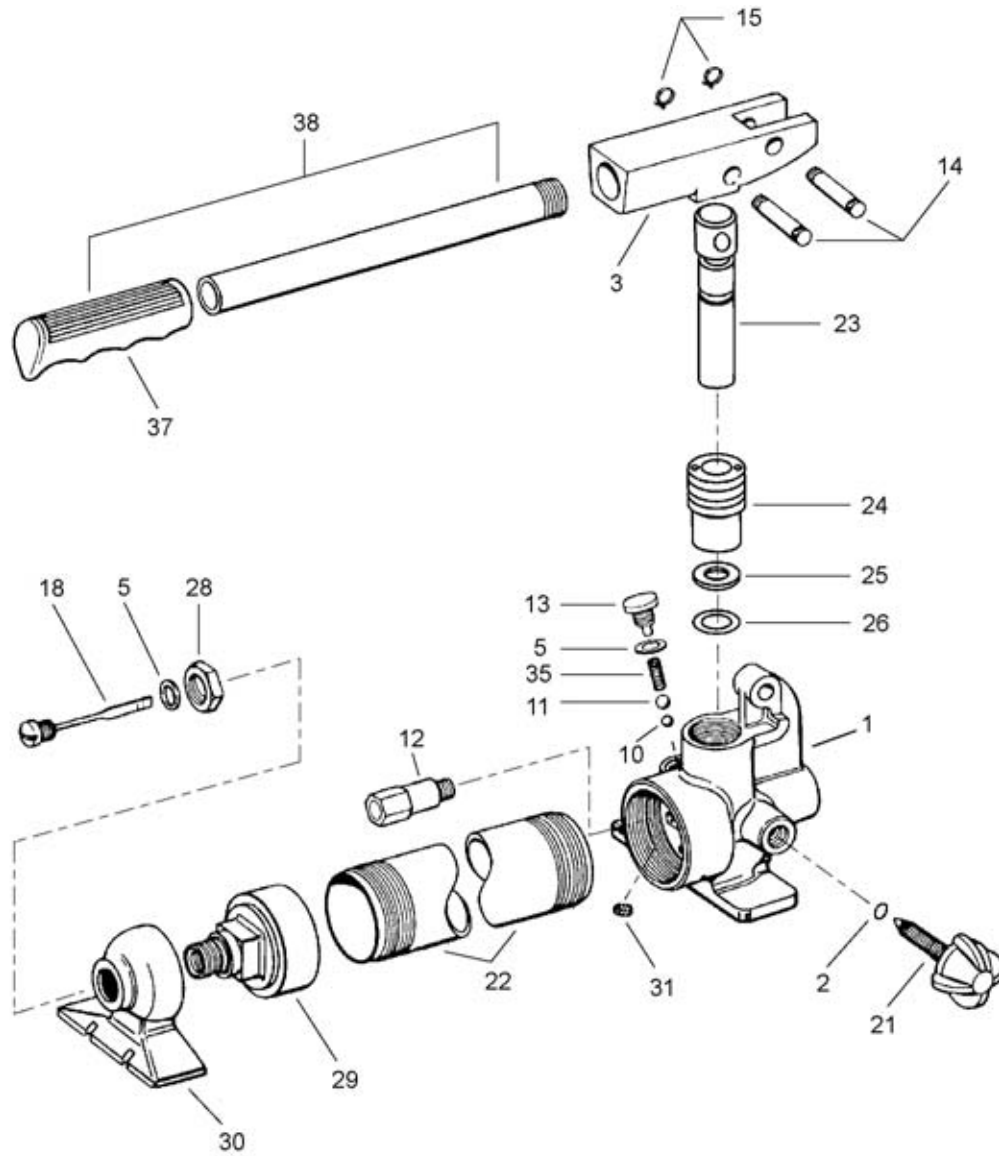
ASSEMBLY	REVISION
O-289	G



MASTER



MODEL: MA-100-Deg.

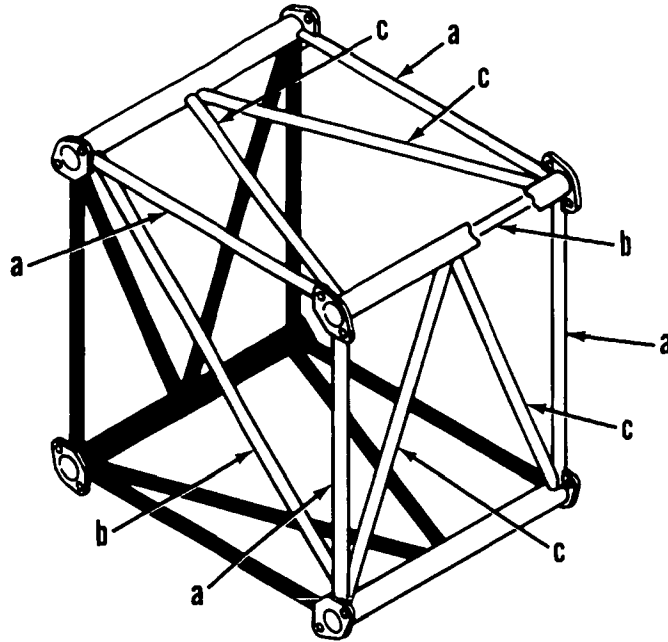


583136

ASSEMBLY	REVISION
O-471	E

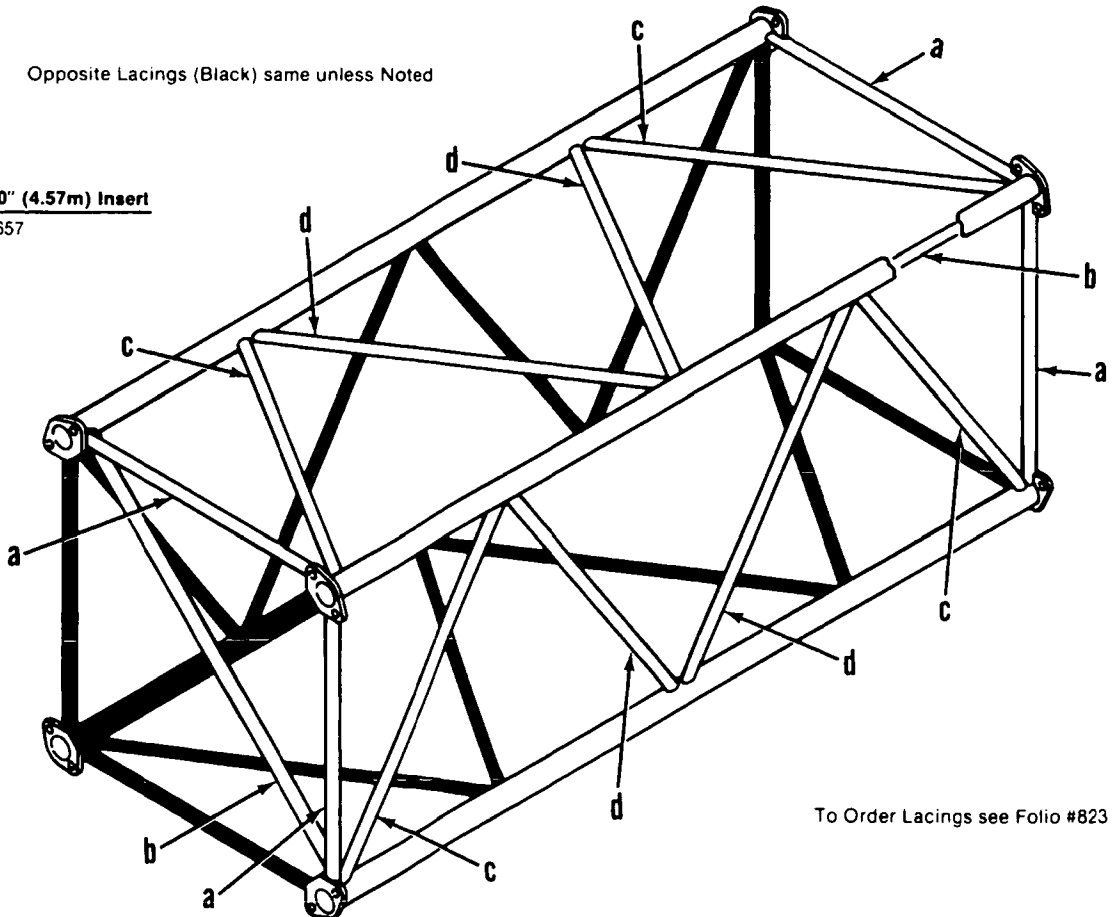
BOOMS #13 AND 17
(Straight Inserts)

5'0" (1.524m) Insert
180502

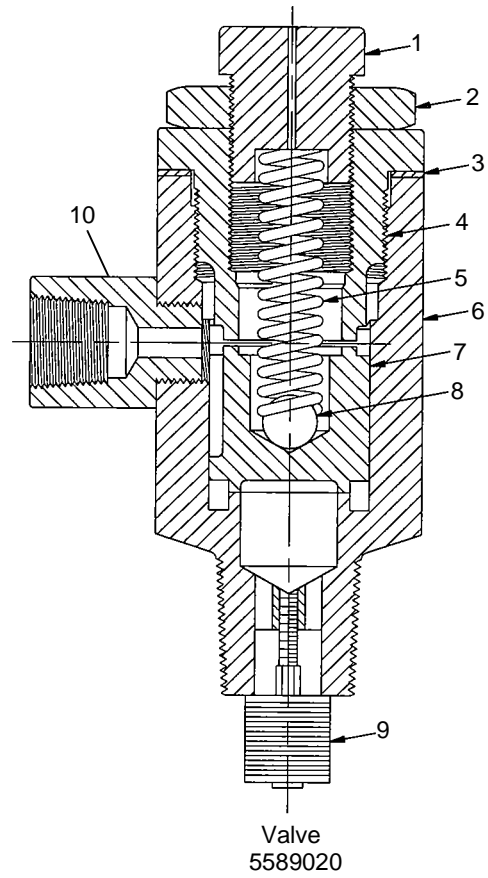
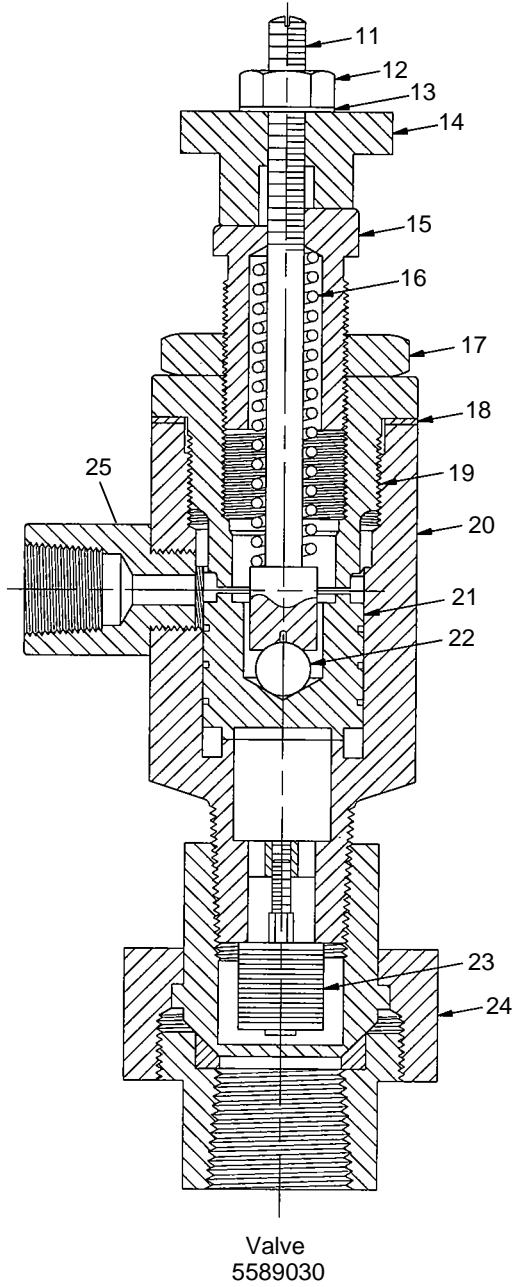


Opposite Lacings (Black) same unless Noted

15'0" (4.57m) Insert
32657



To Order Lacings see Folio #823



ASSEMBLY	REVISION
O-72	B

VALVE, UNLOADER PILOT

Index

CLICK HERE TO **DOWNLOAD** THE COMPLETE MANUAL

- Thank you very much for reading the preview of the manual.
- You can download the complete manual from: www.heydownloads.com by clicking the link below



- Please note: If there is no response to CLICKING the link, please download this PDF first and then click on it.

CLICK HERE TO **DOWNLOAD** THE COMPLETE MANUAL