



TRADITIONAL CRANE PARTS MANUAL

This manual has been prepared for and is considered part of

4000W

Model

40491

Serial Number

GROUP A = Rotating Structure (Includes rotating bed, operator's cab, cases, fuel tanks, transfer pump, counterweights, guards, platforms, catwalks, machinery enclosure, horn)

GROUP B = Upperworks Machinery (Includes front, rear, and auxiliary drums, boom hoist, swing and drive shafts, hand levers, foot pedals, control linkage, rotation indicators, upperworks hydraulic components, hydraulic piping, hydraulic oil reservoir, lubrication pump and piping, blowers)

GROUP C = Air Components & Electrical (Includes control console, air piping, electric wiring, auxiliary light plant and lighting, TV monitoring, compressor and air tank)

GROUP D = Power Components - Upperworks (Includes engine or motor, radiator, auxiliary power plant, take off converters and piping, controls, VICON power lowering, torque limiter, hydraulic pumps and piping, fuel piping, battery box)

GROUP E = Lower Structure & Control (Includes carbody, crawlers, travel shafts and control, steering travel locks, hydraulic travel, travel power outriggers, carrier, pedestal, lowerworks hydraulic piping, RINGER components, barge mounting and machinery, spud drums)

GROUP F = Attachments (Includes booms, jibs, masts, tower, wire rope guides, equalizer, gantry, fairlead, timber guards, boom angle indicator, block-up limit, tag line, hook block, weight ball, upper and lower boom point, wind speed indicator, crowd and retract dipper sticks, dippers,)

O-NUMBER SECTION = (Includes lacing drawings and purchased component parts drawings referenced in sections A through F)

This manual is arranged in sections as listed above. Sections A through F are arranged by group numerical order with an index after each section tab. An alphabetical index for groups A Through F combined is located after the O-number Section. The O-number section is arranged in numerical order by O-number. Following this cover page are the Basic Specifications, Warranty Information, Tool List (if applicable) Outline Dimensions, Weights, and Dealer Listing.

MANITOWOC CRANES, INC.

2401 South 30th Street • PO Box 70

Manitowoc, WI 54221-0070

Phone: 920-684-6621 • Fax: 920-683-6278

CLICK HERE TO **DOWNLOAD** THE COMPLETE MANUAL

- Thank you very much for reading the preview of the manual.
- You can download the complete manual from: www.heydownloads.com by clicking the link below



- Please note: If there is no response to CLICKING the link, please download this PDF first and then click on it.

CLICK HERE TO **DOWNLOAD** THE COMPLETE MANUAL

B. Ordering Lacings without Lacing Drawings

The parts order must contain the following information to ensure that Manitowoc provides you with the correct lacings:

1. Crane serial number (can be found on builders plate in operator's cab.)
2. Boom or jib identification number.
3. Quantity, lacing location, and lacing number.
4. Boom or jib component name (butt, insert, or top) and part number.

NOTE To obtain the lacing location and number, view the boom or the jib from the butt end looking forward. Identify the side on which the damaged lacing is located: left side, top side, right side, or bottom side. Count each lacing up to and including the damaged lacing, starting with **first lacing nearest butt end** of the component as shown in Figure 3.

Do not count a diagonal lacing as the first lacing. Identify diagonal lacing separately; lower end diagonal lacing or upper end diagonal lacing.

ASSISTANCE

If you are in doubt as to which lacings to order, **DO NOT GUESS**. Contact your nearest Manitowoc distributor for assistance; doing so may prevent the wrong parts from being shipped.

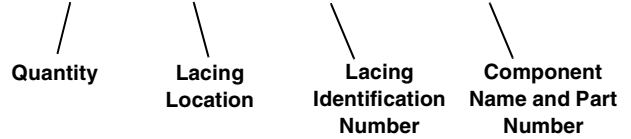
EXAMPLE: Assume you have a number 22 boom and the lacings with circled numbers in Figure 3 are damaged. Your parts order should be similar to the following example:

Crane Serial Number: **00000** (from builders plate).

Boom Identification Number: **#22 Boom**

Required:

- 1 each Top Side Lacing (1) for 30 ft Butt 48153-9
- 1 each Right Side Lacing (5) for 30 ft Butt 48153-9
- 1 each Bottom Side Lacing (3) for 20 ft Insert 33426-3
- 1 each Bottom Side Lacing (6) for 20 ft Insert 33426-3
- 1 each Top Side Lacing (2) for 40 ft Top 50453-2



WELDING INSTRUCTIONS

Refer to folio 1316 for welding instructions.

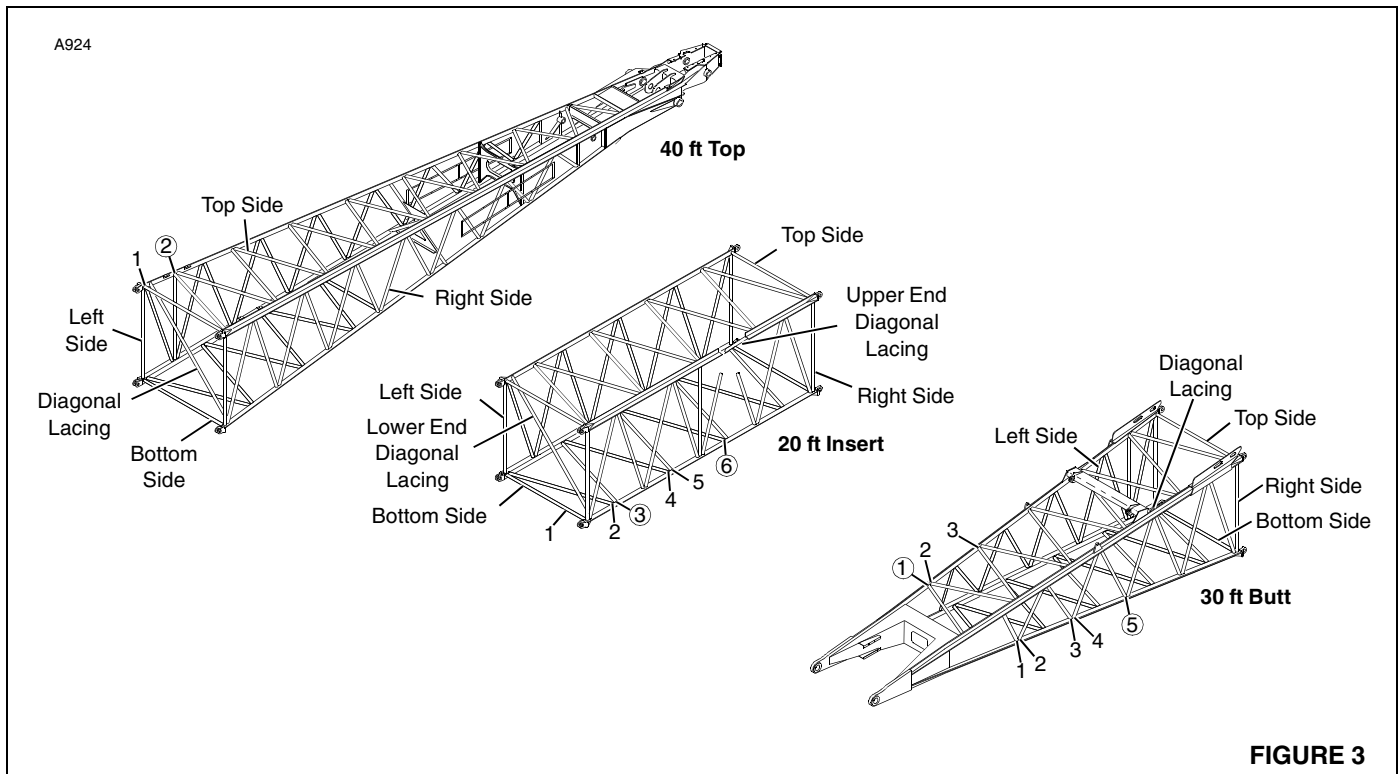
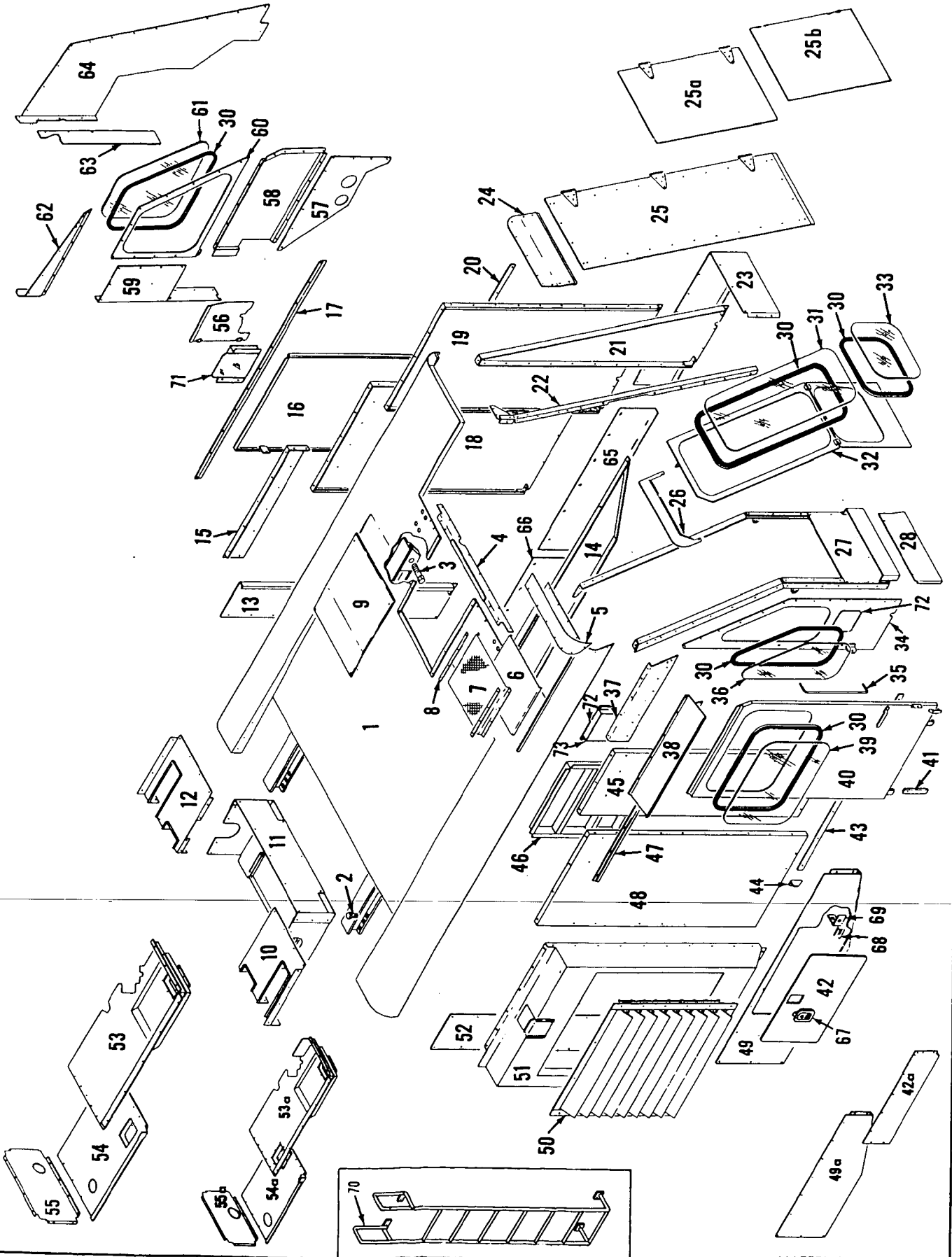


FIGURE 3

**PARTS MANUAL ALPHABETICAL INDEX
GROUP A - Rotating Structure**

DESCRIPTION	PUBLICATION	REV	START DATE	END DATE	GROUP
"A" Frame	42959	-	10/15/62	05/06/77	A0101
Cab	33760	A2	07/18/66	03/24/82	A0201
Cab	33760	S1	07/18/66	08/13/81	A0201
Cab Heater/Air Conditioner	48762	-	06/16/70	04/07/75	A0209
Chain & Gear Case	43331	E1	07/22/64	10/06/81	A0401
Chain & Gear Case	43331	F2	07/22/64	07/30/93	A0401
Chart Holder	93994	A1	11/15/71	04/08/83	A0212
Chart Holder	94017	B1	12/06/71	04/30/85	A0212
Counterweight & Cab Rear	43904	L1	07/15/66	04/21/86	A0301
Fuel Transfer Pump	23415	E1	05/22/56	09/26/69	A0602
Guards	49530	D1	12/20/71	03/22/89	A0501
Insulated Door	32696	D1	10/31/62	03/01/77	A0204
Platform	42880	I1	02/21/62	08/24/76	A0701
Rotating Bed Lubrication Piping	49613	-	06/23/72	06/30/76	A0104
Rotating Bed/Hoist Frame/Transporter Platform	42163	F2	01/29/68	10/17/79	A0102
Rotating Bed/Hoist Frame/Transporter Platform	42163	T1	04/23/63	10/17/79	A0102
Windshield Wiper/Defogger	32842	G1	01/31/64	02/03/78	A0210

MASTER

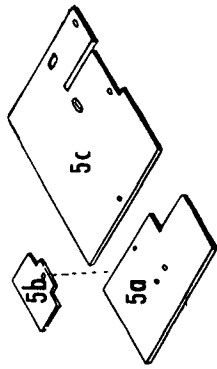


33760F1

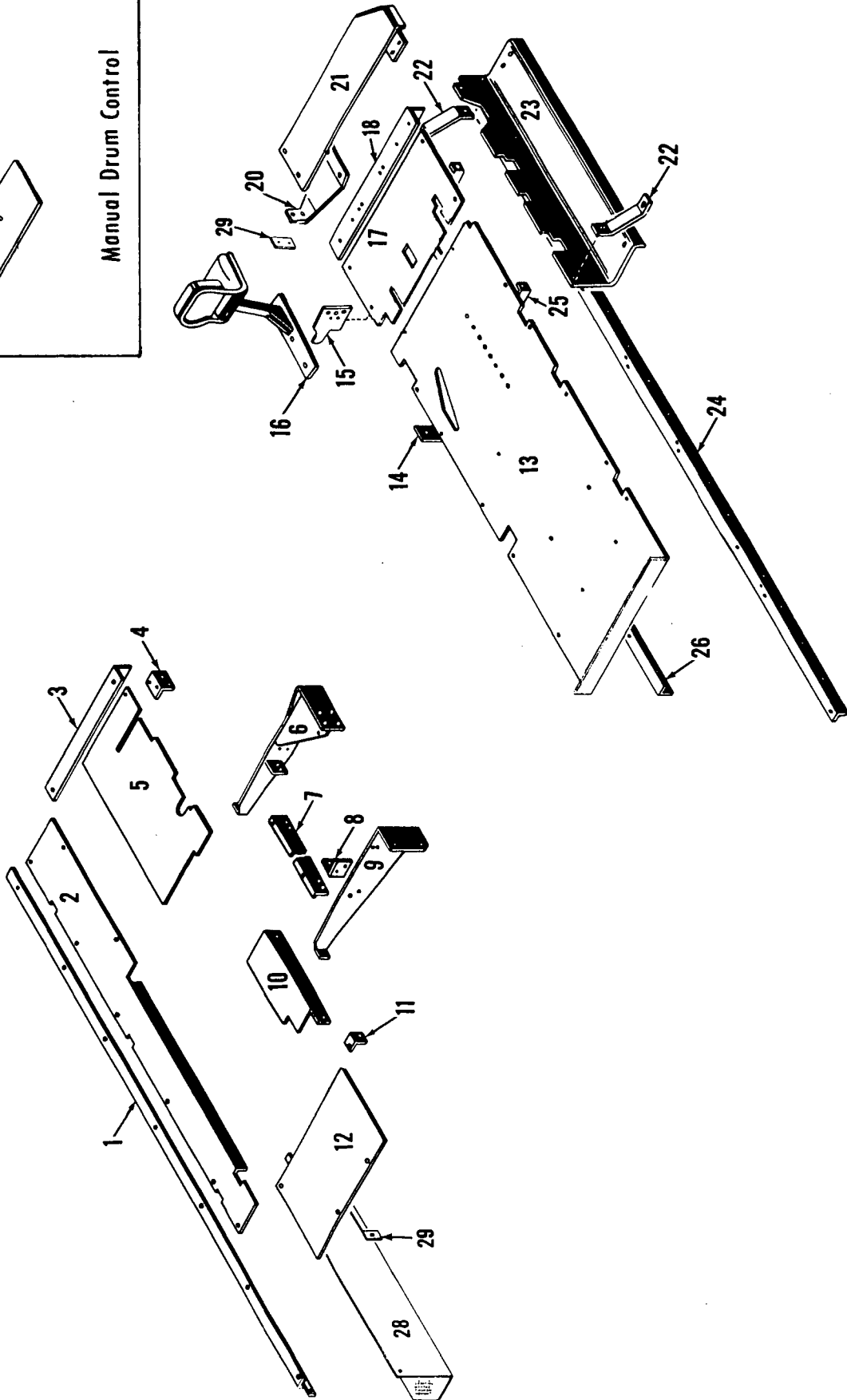
MATERIAL LIST ON BACK

CAB

MASTER



Manual Drum Control

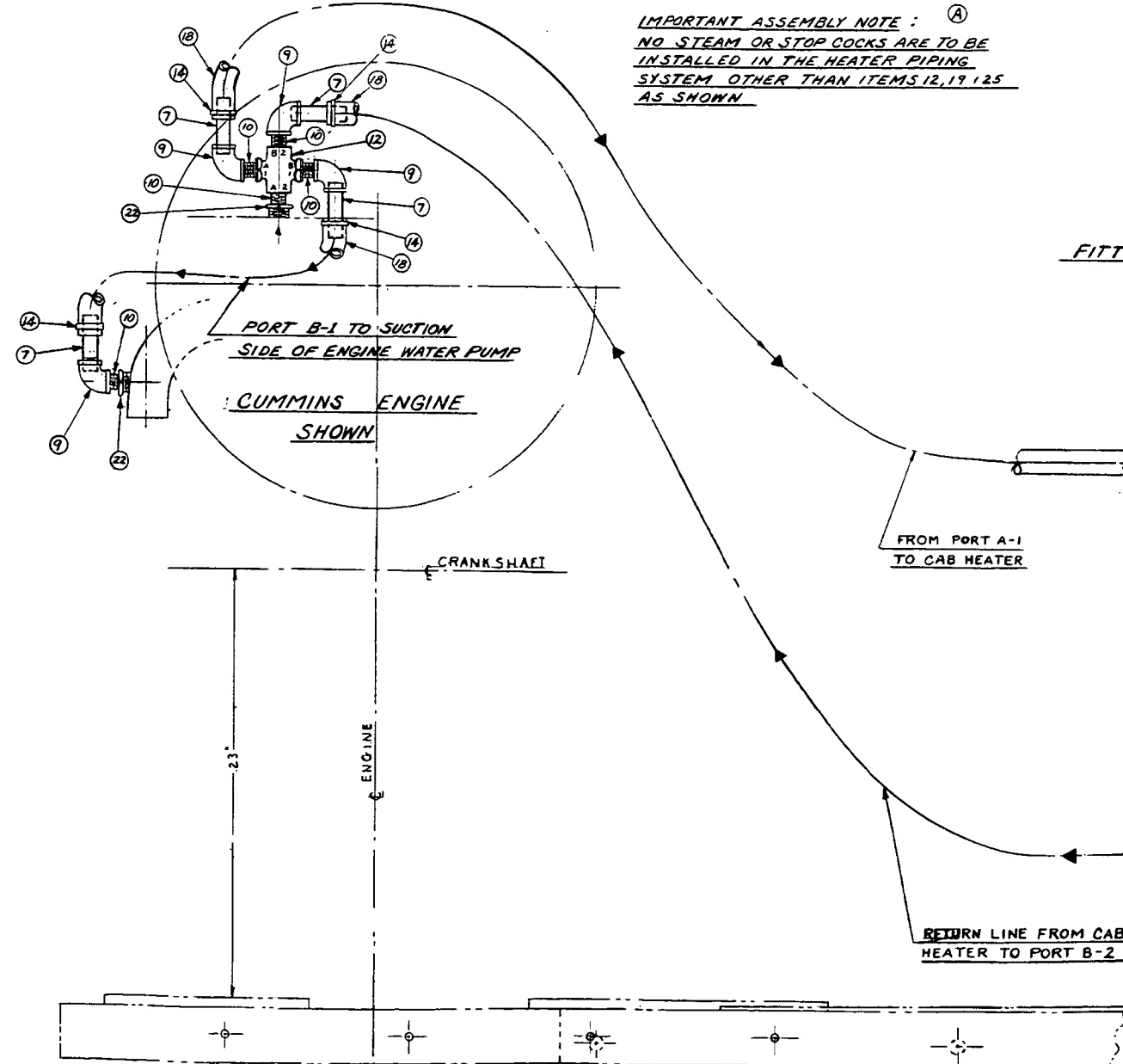
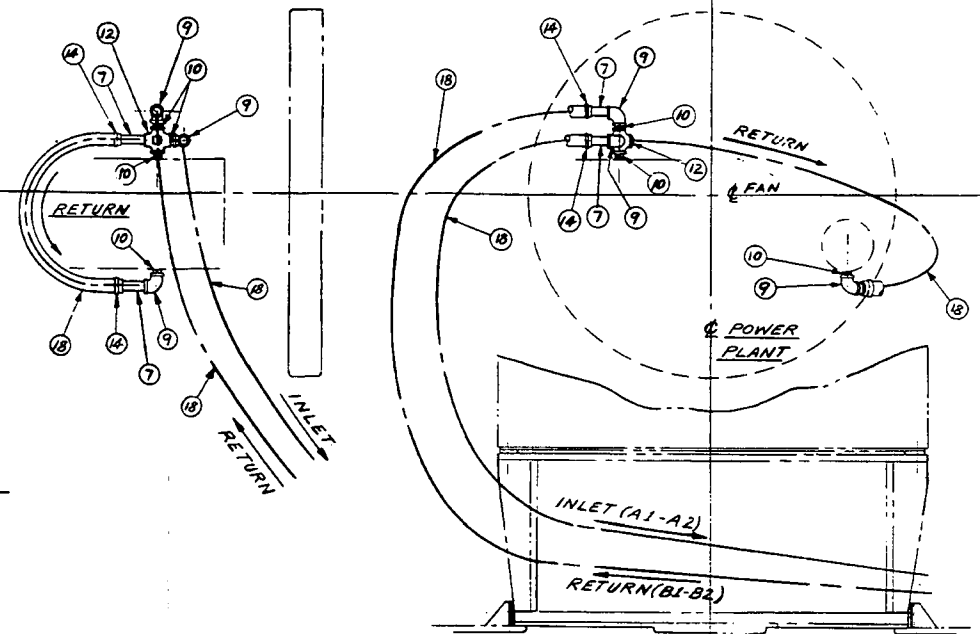
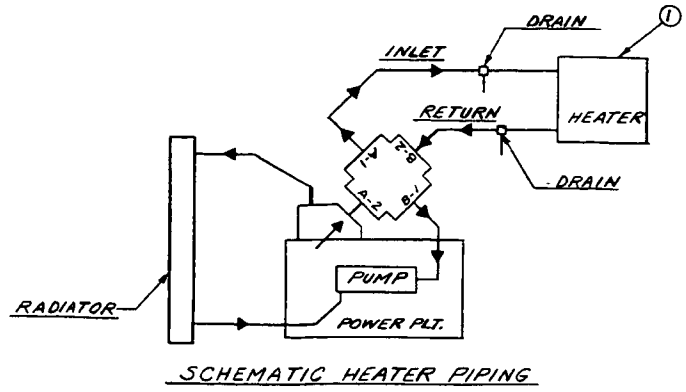


42880F1

MATERIAL LIST ON BACK

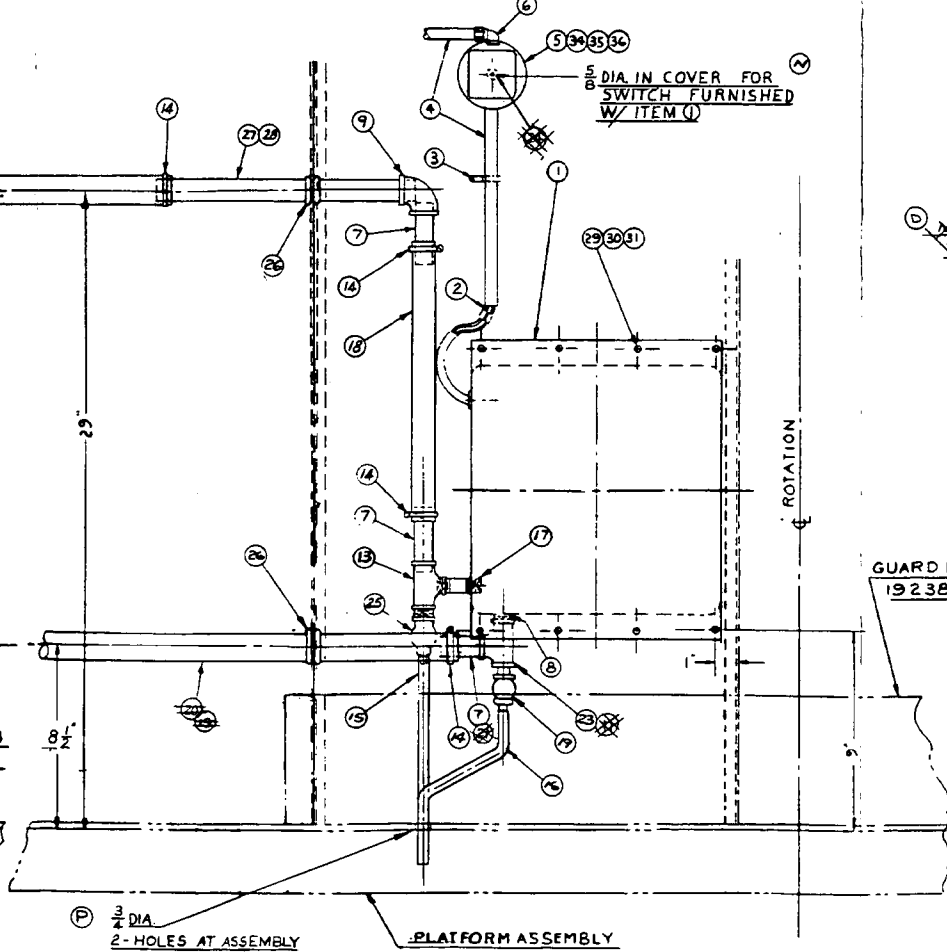
PLATFORM

42880 F1



IMPORTANT ASSEMBLY NOTE:
NO STEAM OR STOP COCKS ARE TO BE INSTALLED IN THE HEATER PIPING SYSTEM OTHER THAN ITEMS 12, 17, 25 AS SHOWN.

FITTINGS USED WITH CAT. & G.M. POWER PLANTS



BILL OF MATERIAL						REMARKS	APPROVED USED ON
ITEM NO.	QTY	SIZE	LENGTH	MATERIAL	CODE NO.		
1	1	KYSOR M-1075 24V HTR			480016	W/SWITCH	
2	2	IGNITION CABLE			296696	ON HEATER	
3	3	STRAP			667204	ONE HOLE	
4	1	1/4" LOOM X12			510706		
5	1	HANDY BOX & COVER			268508		
6	1	CONNECTOR			364155		
7	7	1/2" X 3" LG. STD. PIPE			566120	THD. ONE END	
8	1	3/8" CLOSE NIPPLE			543403		
9	5	1/2" X 90° ELBOW			406953		
10	5	1/2" CLOSE NIPPLE			543404		
11	1	1/2" X 3" LG. STD. PIPE			566120		
12	1	HEATER DUAL SHUT-OFF COCK			138934		
13	1	1/2" X 1/2" X 3/8" TEE			679352		
14	8	HOSE CLAMP			345337		
15	1	1/2" PLASTIC HOSE			485845		
16	1	3/8" PLASTIC HOSE			485844		
17	1	3/8" X 1/2" LG. NIPPLE			543709		
18	1	3/4" I.D. HOSE			485505		
19	1	1/2" PETCOCK			355453		
20	1	1/2" X 3" LG. STD. PIPE			566120		
21	1	1/2" X 1/2" X 3/8" TEE			679352		
22	2	3/4" X 1/2" RED BUSHING			288753	WITH CUMMINS ENGINE ONLY	
23	1	3/8" X 3/8" X 1/2" TEE			679348		
24	1	ROCKER SWITCH			673557		
25	1	1/2" PETCOCK			355454		
26	2	GROMMET			472025		
27	1	1/2" X 12" LG. STD. PIPE			565949	THD. ONE END	
28	1	1/2" X 12" LG. NIPPLE			543716	SEE NOTE 3	
29	8	1/4" - 20 NC X 1/2" LG. STOVE BOLTS			254549	OVEN HD.	
30	8	1/4" - 20 N.C. HEX. NUT			546052		
31	8	1/4" LOCKWASHER			710302		
32	1	3/8" B X CONNECTOR 90°			364168		
33	16	#14-1 TYREX CORD			371829		
34	1	15 AMP. FUSE			453230		
35	1	BLANK COVER			570103		
36	1	FUSE HOLDER			575502		
37							
38							
39							
40							
41							
42							

NOTE 1 - IMPORTANT
DO NOT USE EXCESSIVE FORCE IN APPLYING PIPE FITTING TO HEATER INLET & OUTLET. IF PIPE THREADS IN HEATER ARE OVERSIZE OR DEFECTIVE IN ANY WAY RETURN HEATER TO VENDOR FOR CORRECTION.

NOTE 2
FOR 12 VOLT APPLICATION SUBSTITUTE KYSOR 12 VOLT HEATER M.E.C. CODE NO. 480017 FOR ITEM 1

NOTE 3
WHEN GAS ENGINE WATER HEATER IS USED IN CONJUNCTION WITH CAB HEATER DELETE ITEM 27 & ADD ITEM 28. CONNECT ITEM 28 TO TEE ITEM 26 ON GAS WATER HEATER ASSEM. NO. 31135.

MFR'S. RATING
48000 B.T.U.
523 C.F.M.

REDESIGNED AS 190144
SUPERSEDES 48762 OF 11-21-69

ALSO SUPERSEDES 180284 OF 8-10-71 FOR M-2900-NC. ONLY

NOTICE
THE NEW STAND BY DESIGN OF
MANITOWOC ENGINEERING CO.

SCALE	UNLESS NOTED
3" = 1'-0"	
LPW	
CHJ	
RJS	

48762	MANITOWOC ENGINEERING CO.	CAB HEATER ASSEMBLY
	MATERIAL	
	MODEL	
	DATE	
	BY	
	CHECKED	
	APPROVED	

DES. NO.	48762
REVISED DATE	
DATE	6-16-70
PATTERN NO.	
CODE NO.	
FILE NO.	48762

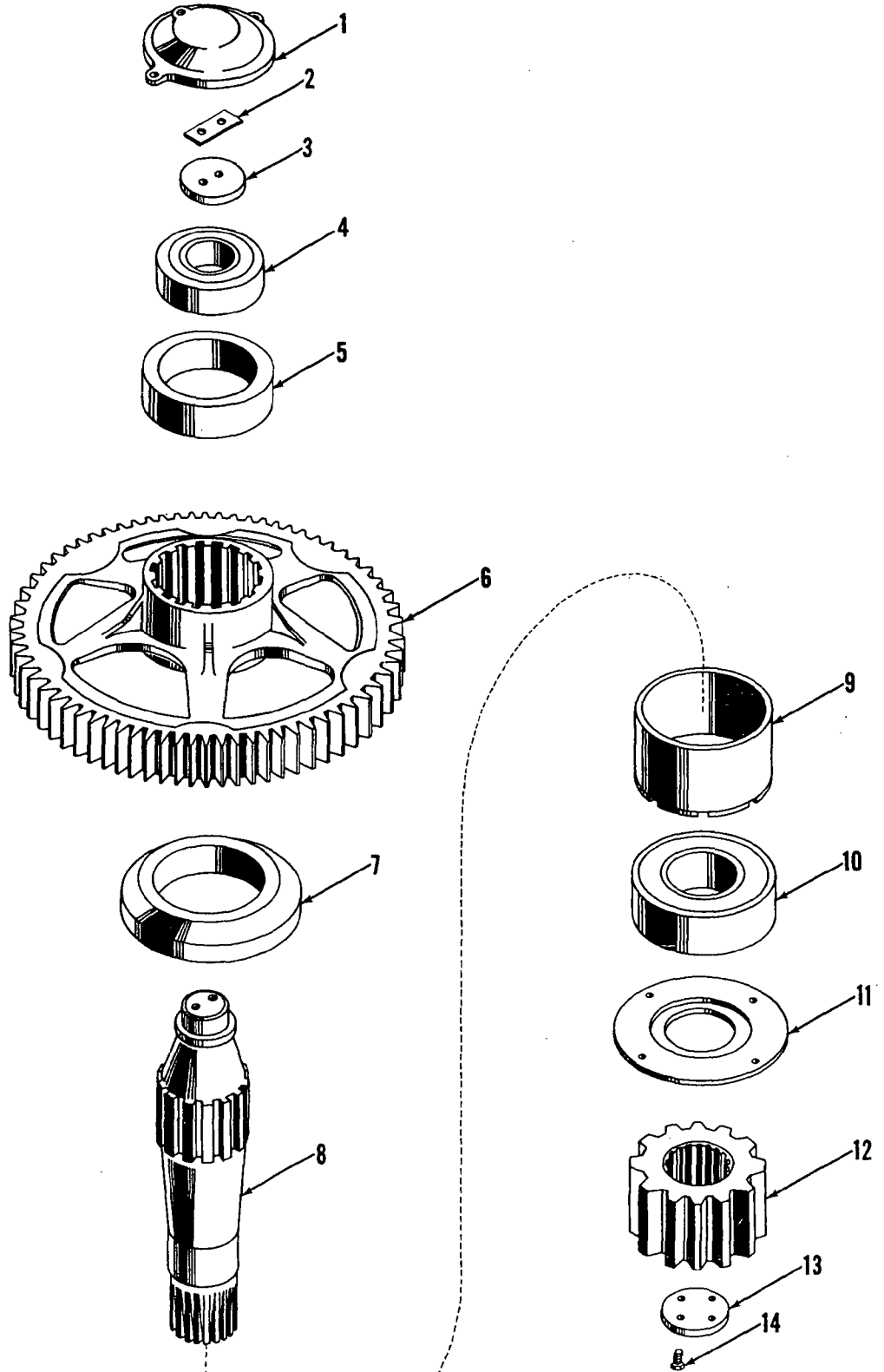
GROUP B - Upperworks Machinery

MANITOWOC ENGINEERING CO.

A Division of The Manitowoc Company, Inc.

Manitowoc, Wisconsin

MASTER



ILLUST. No. 23688-A-1

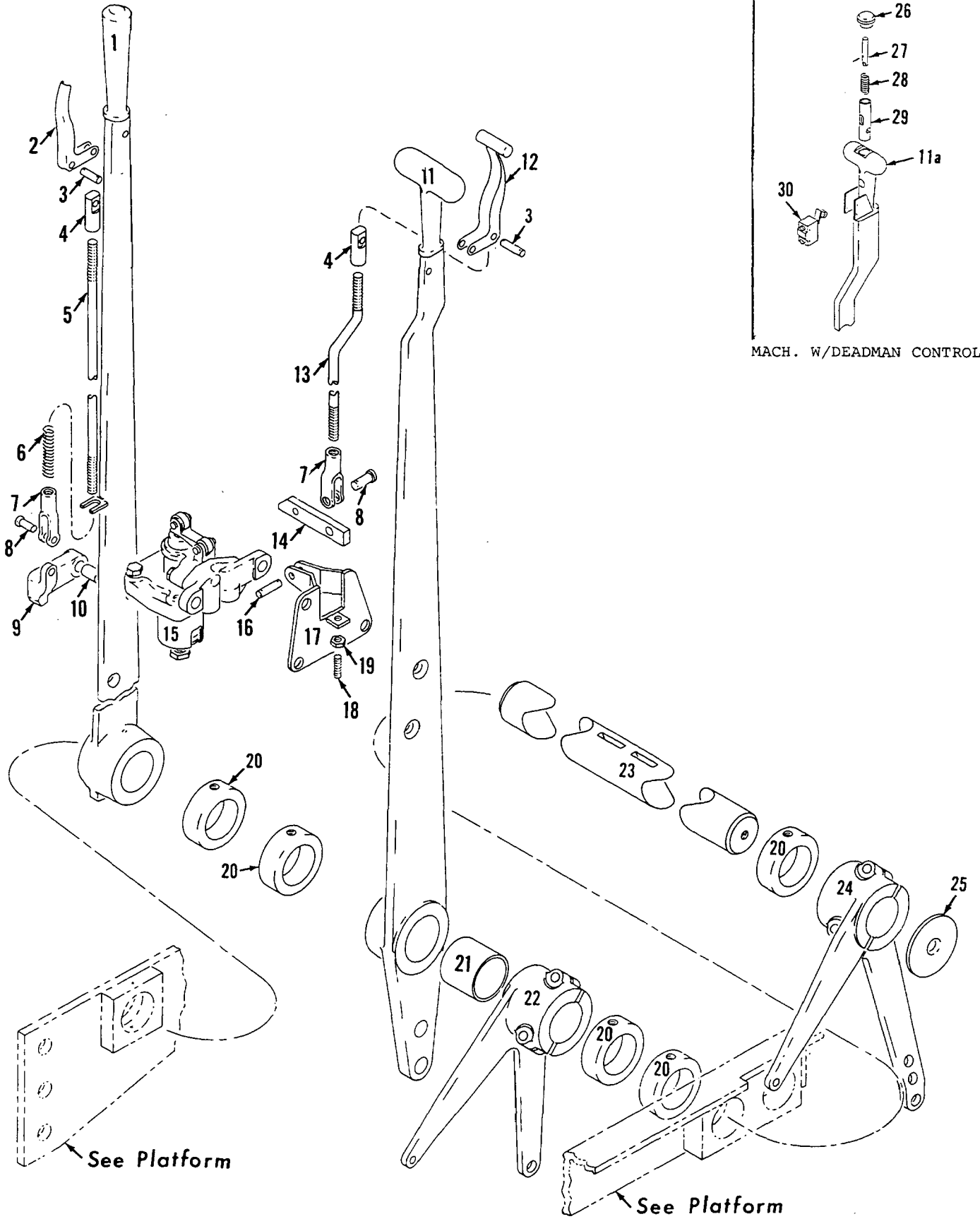
MATERIAL LIST ON BACK

SWING SHAFT

MANITOWOC ENGINEERING CO.

A Division of the Manitowoc Company, Inc.

Manitowoc, Wisconsin



MACH. W/DEADMAN CONTROL

See Platform

See Platform

HAND LEVERS

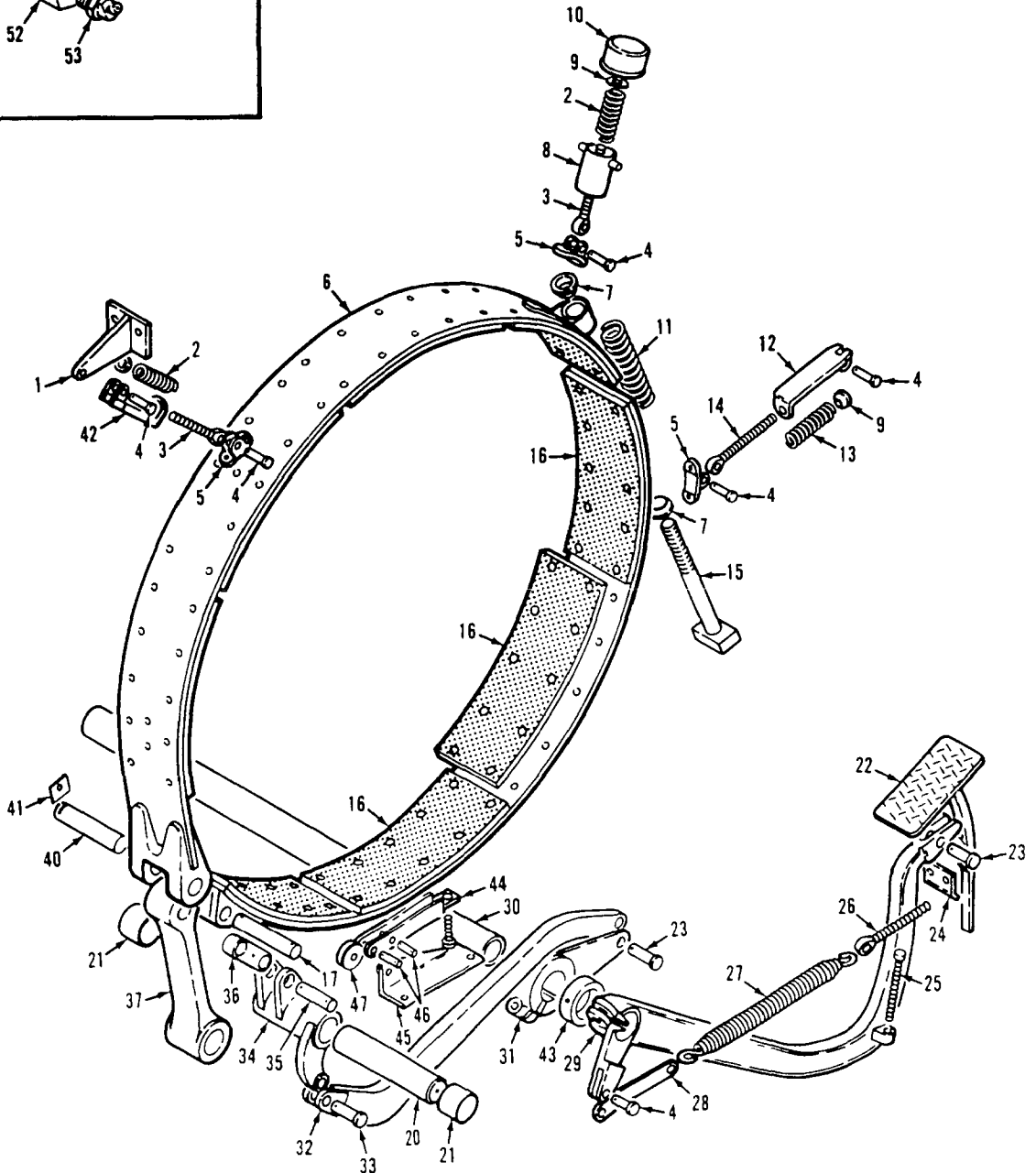
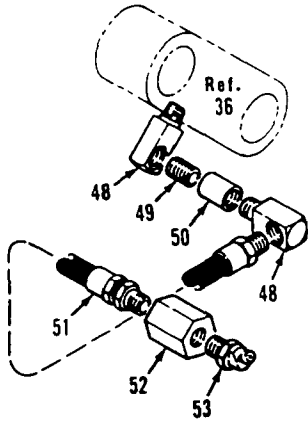
MATERIAL LIST ON BACK

32739A1

32739A1

A Division of The Manitowoc Company, Inc.

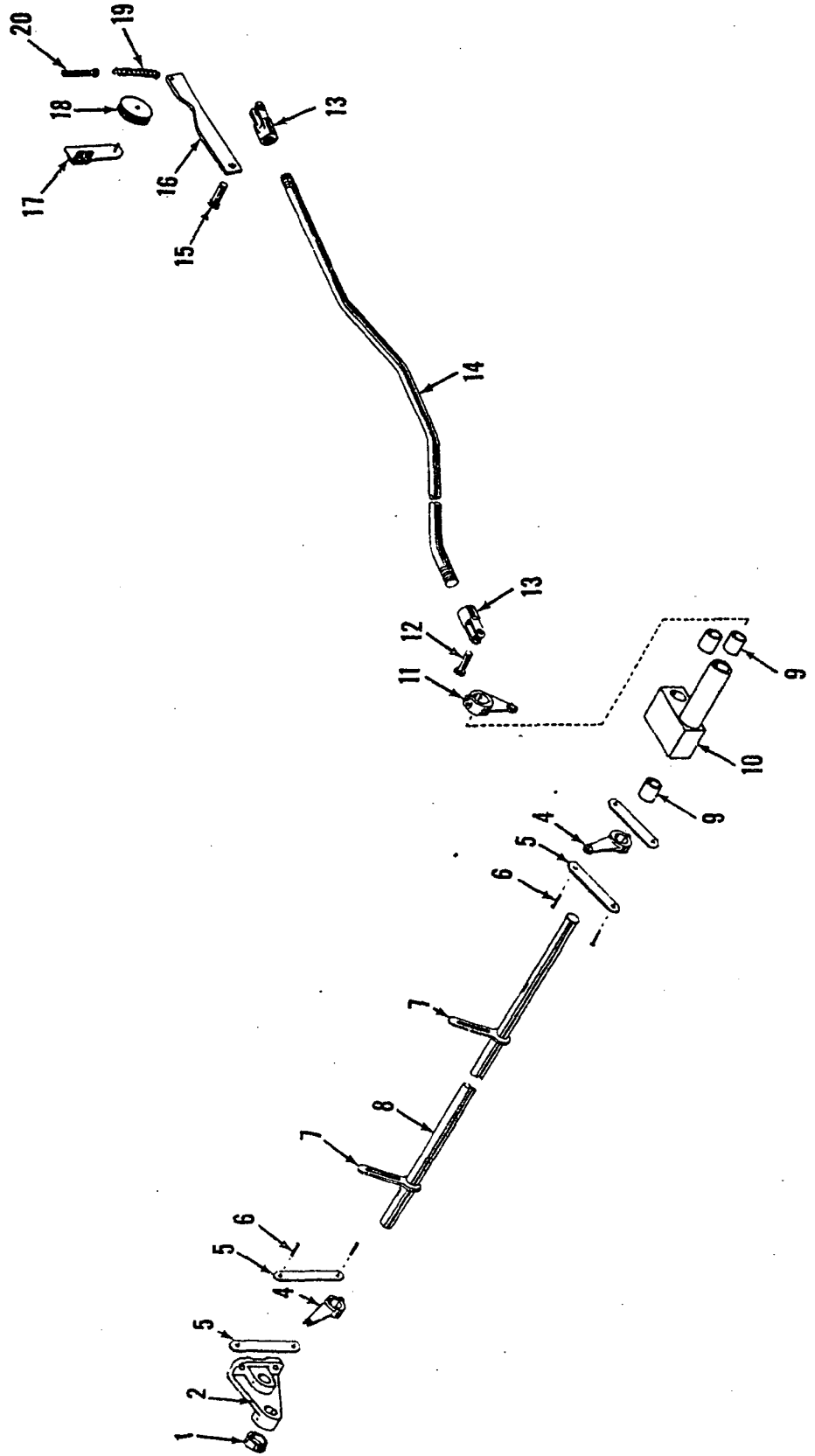
Manitowoc, Wisconsin



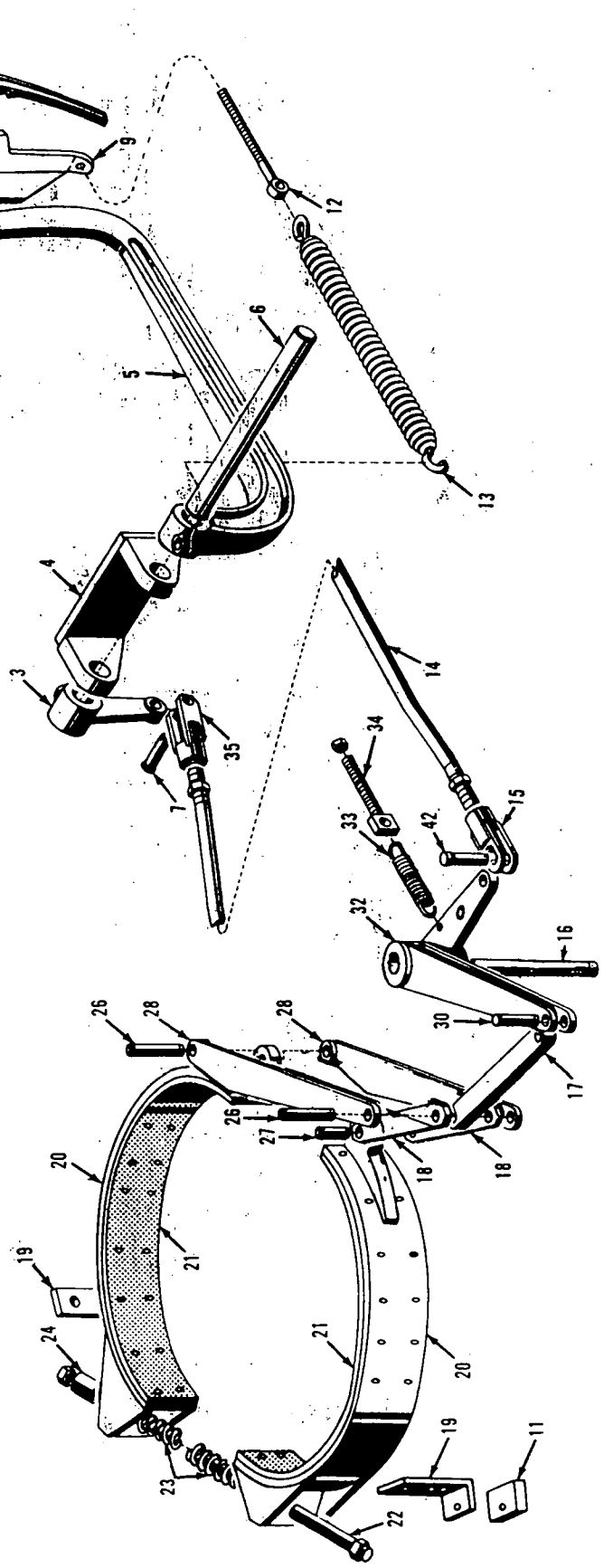
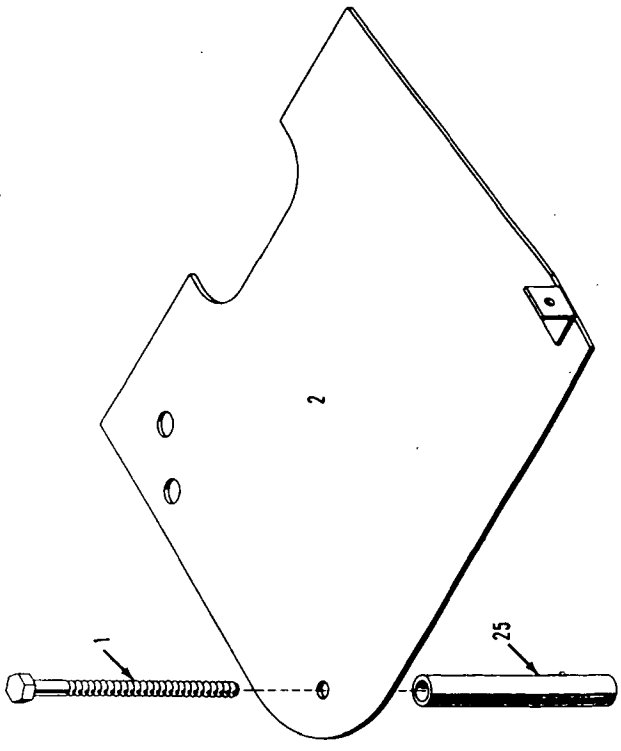
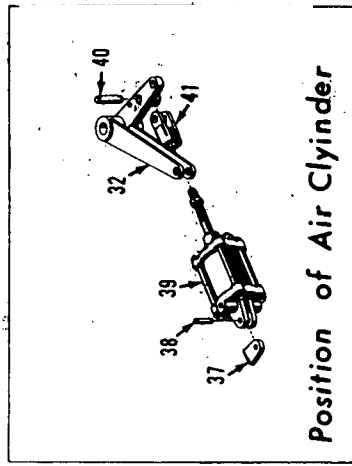
42183C1

MATERIAL LIST ON BACK

RIGHT DRUM BRAKE



MASTER



42394C1

MATERIAL LIST ON BACK

SWING BRAKE

43132-1 cont.	REV. F	MODEL 3000W-3100-3400-3600-3900-3900T-3900W-4000-4000W
---------------	-----------	---

MAIN DRIVE SHAFT
(VICON)

REF. NO.	PART NUMBER	QUANTITY REQUIRED	DESCRIPTION OF PART	VENDORS PART NO.
34	21733	1	COVER, Bearing w/capscrews, hex nuts, lockwashers and gr. fitting	
	257202	2	BOLT, Coupling	
35	22482	1	HOUSING, Bearing w/capscrews, hex nuts and lockwashers	
36	224909	1	BEARING, Roller	
37	15535	1 set	SHIM (1/16" set)	
38	21734	1	COVER, Bearing w/capscrews, hex nuts, lockwashers and gr. fitting	
	257202	2	BOLT, Coupling	
39	15548	1	SPACER	
40	15551	1	NUT, Split w/capscrews and elastic stop nuts	
41	73236	1	SPACER	
45	224323	1	BEARING, Ball	
46	20163	1	HOUSING, Bearing w/gr. fitting (M3000-3600 incl.)	
46	23697	1	HOUSING, Bearing w/gr. fitting (M3900-3900W-3900T-4000-4000W)	
47	11535	1	NUT, Lock	
48	11536	1	PLATE, Locking w/capscrews (See Note 2)	
49	10526	1	COVER, Bearing w/capscrews and lockwashers (See Note 2)	
50	71084	2	BOLT, Coupling w/elastic stop nut (Housing No. 23697-M3900-3900T-4000-4000W)	
50	12020	1	BOLT, Coupling w/hex nuts (Housing No. 23697-M3900W)	
50	71084	1	BOLT, Coupling w/elastic stop nut (Housing No. 23697-M3900W)	
50	16786	2	BOLT, Coupling w/elastic stop nut (Housing No. 20163)	
55	596934	1	RING, Spirolox	
<u>THE FOLLOWING PARTS ARE FOR CRANE, DRAG, CLAM TRENCH HOE ONLY. FOR SHOVEL CLUTCH SEE SH. NO. 3</u>				
42	18872	1	GUARD, Spline	
43	18731	1	SPACER	
44	10525	1	COVER, Bearing w/capscrews and lockwashers	
<u>FOR INDEPENDENT SWING (NOT INCL. M3900T)</u>				
51	24718	1	SPROCKET, Drive (bolt to outer sprocket) (46T.)	
52	256245	6	BOLT, Coupling	
	548367	6	NUT, Elastic Stop	
51	91684	1	SPROCKET, Drive (bolt to outer sprocket) (71T.)	
52	257247	6	BOLT, Coupling	
	548367	6	NUT, Hex	
<u>FOR CHAIN DRIVEN IND. BOOM HOIST (NOT INCL. M3900T)</u>				
51	90618	1	SPROCKET, Drive (1-1/2"P. - 2 strand 59T) (bolt to outer sprocket)	
52	257247	6	BOLT, Coupling	
	548367	6	NUT, Elastic stop	
51	90637	1	SPROCKET, Drive (1-1/4"P. - 2 strand 45T) (bolt to outer sprocket)	
52	257247	6	BOLT, Coupling	
	548367	6	NUT, Elastic Stop	

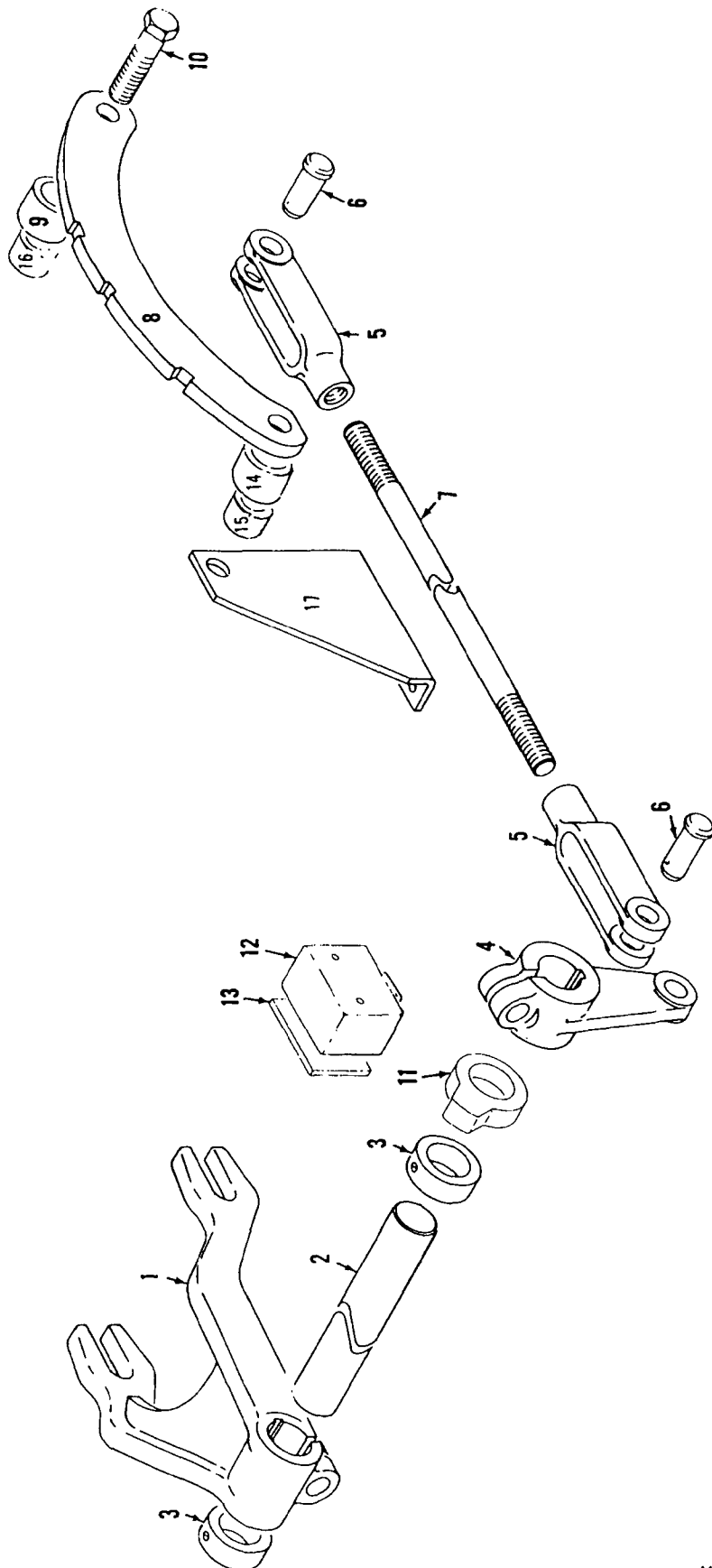
REV. F	43132-1 cont.
-----------	---------------

PLEASE GIVE MACHINE S/N W/ORDER

CPT

Run as a Front

43132 Fl Cont -1



48187C1

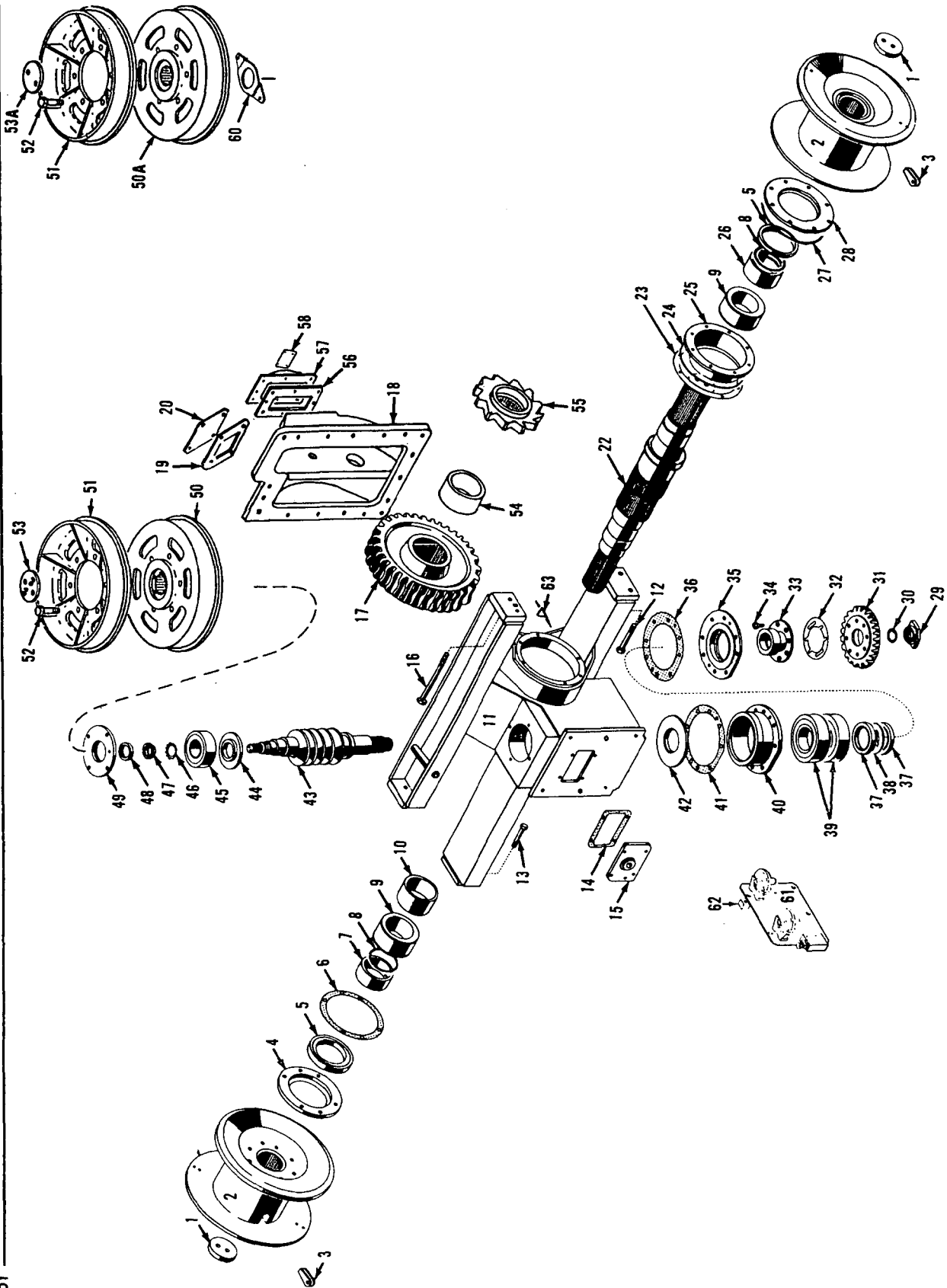
MATERIAL LIST ON BACK

SLIDE PINION CONTROL

MANITOWOC ENGINEERING CO.

A Division of The Manitowoc Company, Inc.

Manitowoc, Wisconsin



65195D1

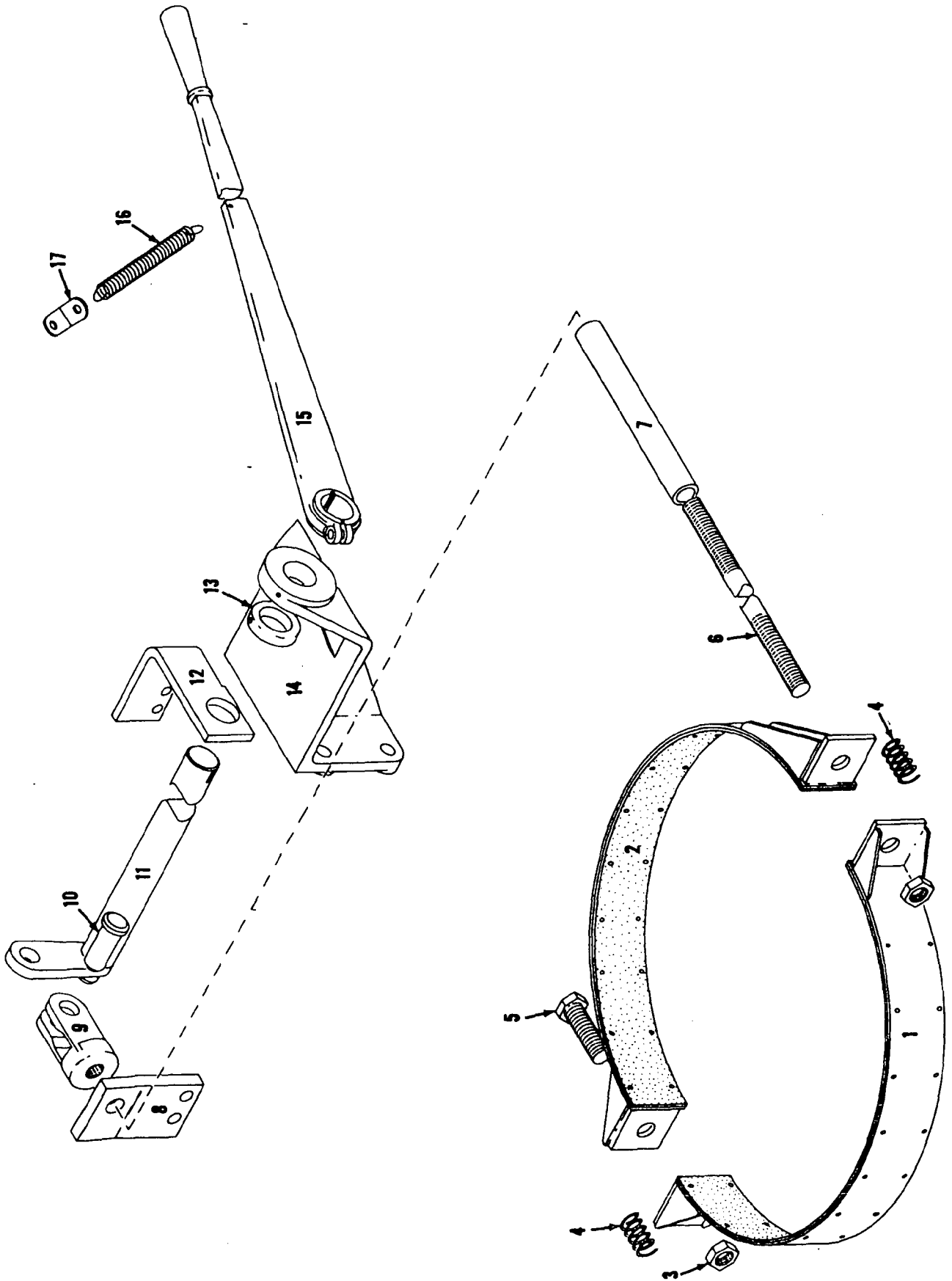
MATERIAL LIST ON BACK

IND. BOOM HOIST

MANITOWOC ENGINEERING CO.

A Division of The Manitowoc Company, Inc.

Manitowoc, Wisconsin



181526A1

MATERIAL LIST ON BACK

MASTER

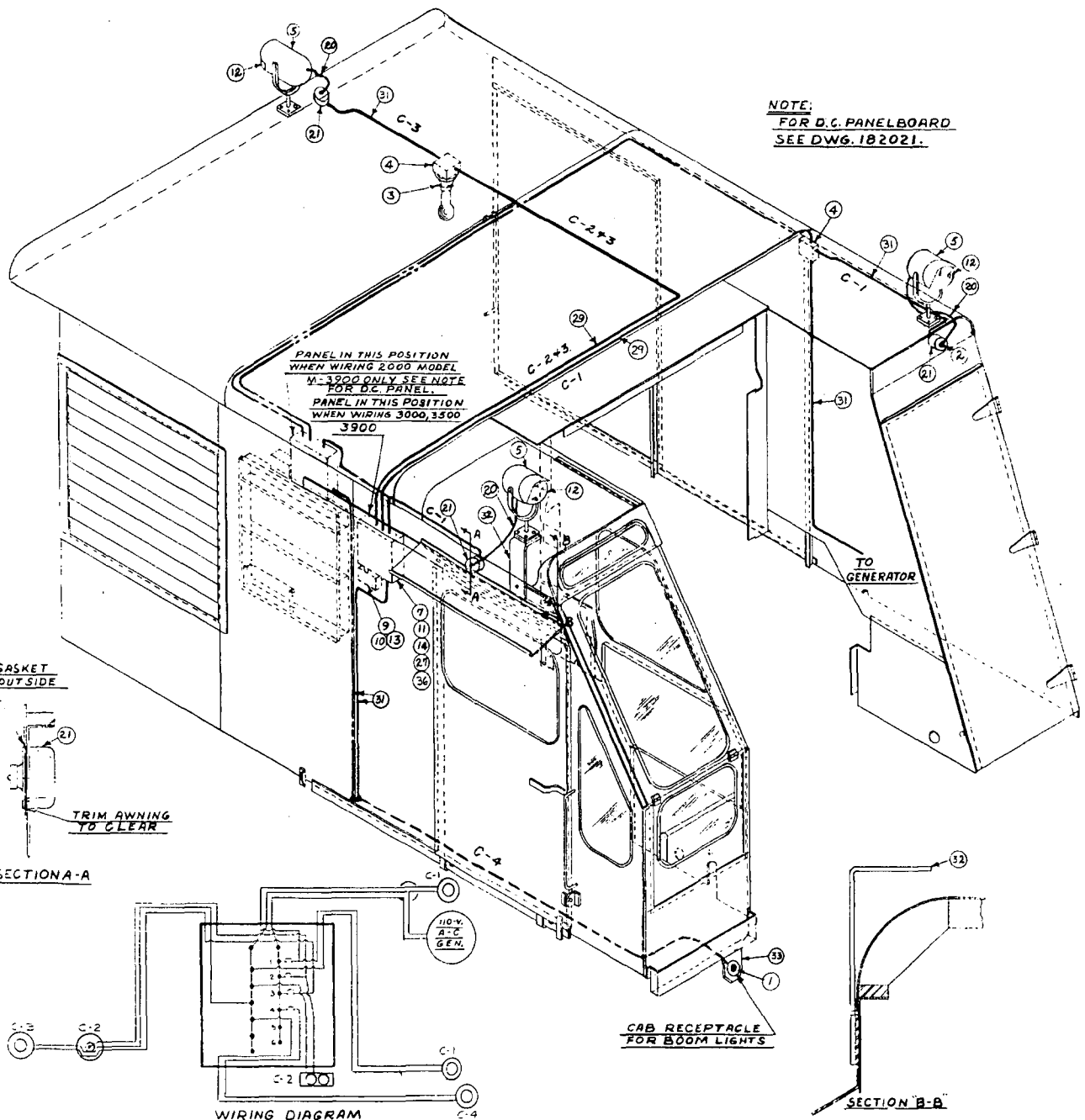
181526 A1

IND. BOOM HOIST AUX. BRAKE

MANITOWOC ENGINEERING CO.

A Division of The Manitowoc Company, Inc.

Manitowoc, Wisconsin

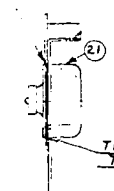


NOTE:
FOR D.C. PANELBOARD
SEE DWG. 182021.

PANEL IN THIS POSITION
WHEN WIRING 2000 MODEL
M-3900 ONLY SEE NOTE
FOR D.C. PANEL.
PANEL IN THIS POSITION
WHEN WIRING 3000, 3300
3900

TO GENERATOR

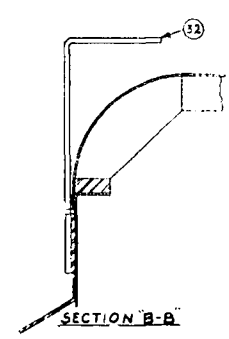
GASKET
OUTSIDE



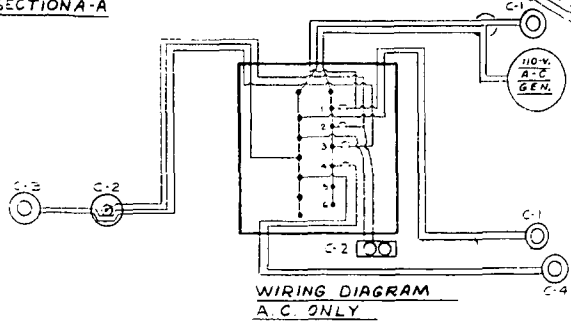
SECTION A-A

TRIM AWNING
TO CLEAR

CAB RECEPTACLE
FOR BOOM LIGHTS



SECTION B-B



WIRING DIAGRAM
A.C. ONLY

MASTER

3 6 C1

31116C1

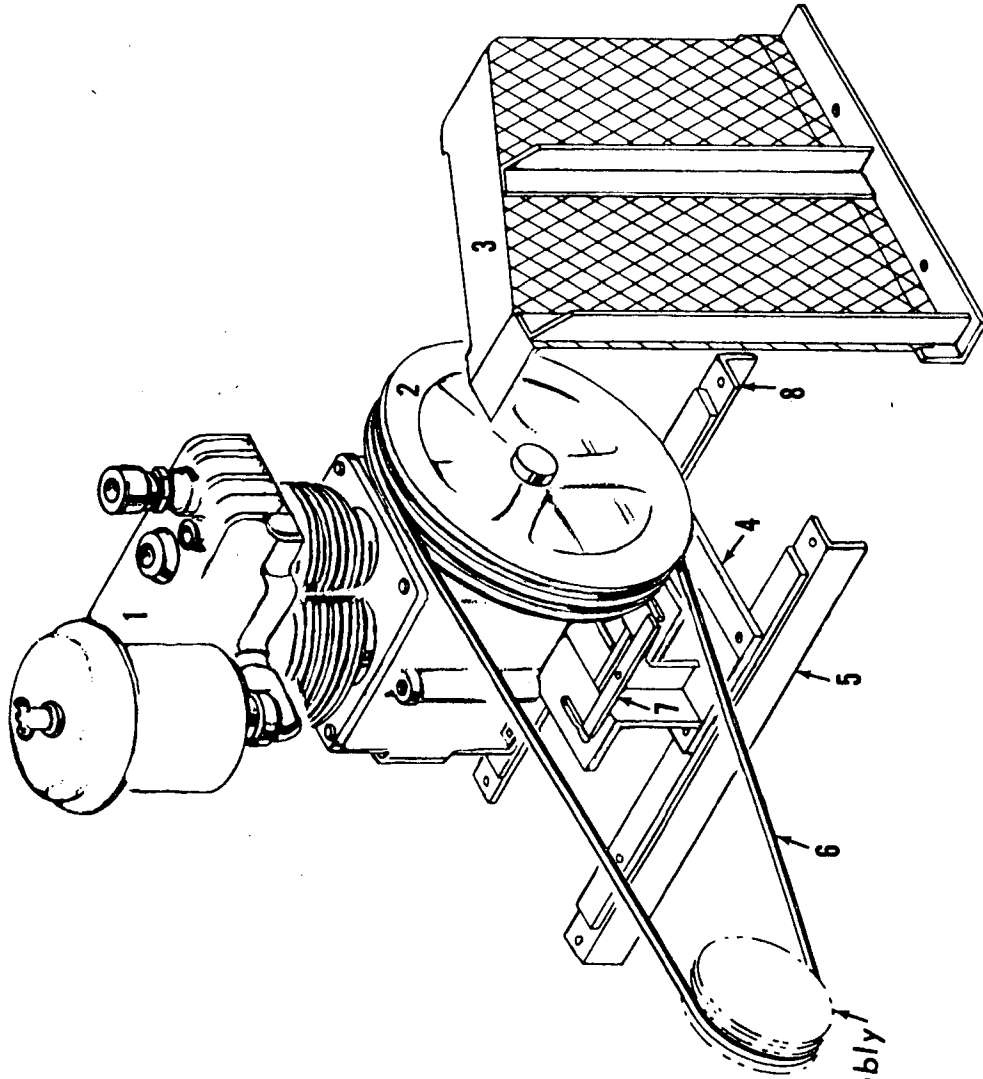
MATERIAL LIST ON BACK

CAB LIGHTING

MANITOWOC ENGINEERING CO.

A Division of The Manitowoc Company, Inc.

Manitowoc, Wisconsin



See Power Plant Assembly

MASOR

41994 A2

41994A2

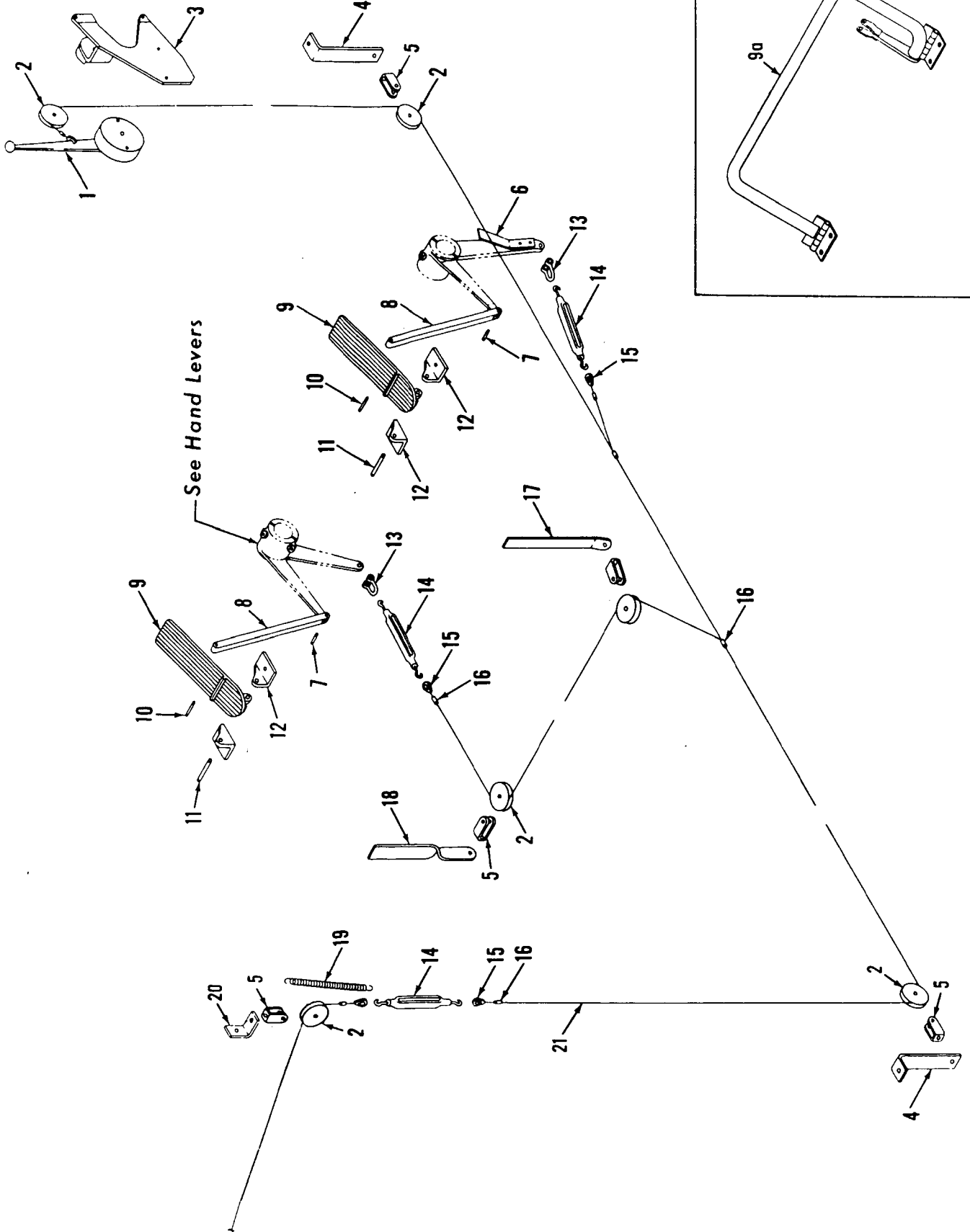
MATERIAL LIST ON BACK

COMPRESSOR

MANITOWOC ENGINEERING CO.

A Division of The Manitowoc Company, Inc.

Manitowoc, Wisconsin



32498 C-1

32498C1

MATERIAL LIST ON BACK

ENGINE CONTROL

42958-1 Cont.	REV. F	MODEL 3000W-3600-3900-3900W-4000-4000W
---------------	--------	--

FRONT CONVERTER MANUAL CONTROL

REF. NO.	PART NUMBER	QUANTITY REQUIRED	DESCRIPTION OF PART	VENDORS PART NO.
30	96322	1	LEVER, Hand (Air Control Power Load Lowering)	
30A	93777	1	LEVER, Hand (Air Control Power Load Lowering) (Superseded by #96322)	
30A	93739	1	LEVER, Hand (Air Control Power Load Lowering) (Superseded by #93777)	
30	96323	1	LEVER, Hand (Electric Control Power Load Lowering)	
30A	93778	1	LEVER, Hand (Electric Control Power Load Lowering) (Superseded by #96323)	
30A	24899	1	LEVER, Hand (W/Boom Hoist Control)	
NOTE 1: As shown above for levers #96319, 96322, and 96323. For levers #93735, 90195, 93777, 93739, 93778 and 24899 delete parts #140334, 143985, 138577 and use the following: (See boxed items)				
4	140197	1	PIN W/cotter pin	
21A	140884	1	PIN W/cotter pin	
22A	18937	1	BAR, Roller	
23	10222	1	WASHER	
27A	229	1	SPRING	
Use one of the following as checked - 96322, 93777, 93739, 96323, 93778, 24899				

REV. F	42958 - 1
--------	-----------

PLEASE GIVE MACHINE S/N W/ORDER

MOTOR

Run as Front

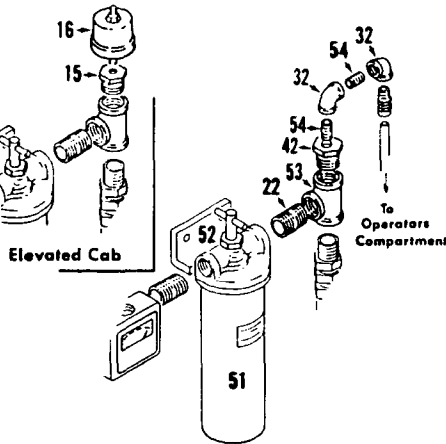
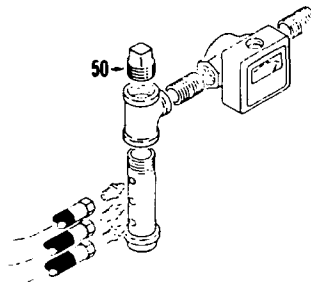
Fl Cont.

MANITOWOC ENGINEERING CO.

A Division of The Manitowoc Company, Inc.

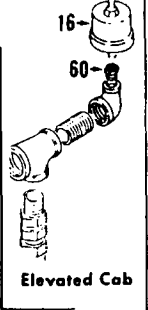
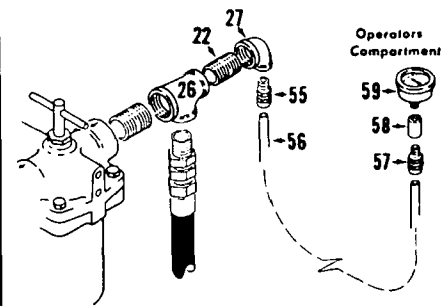
Manitowoc, Wisconsin

Machines w/out Forced Oil Lubrication to Converters

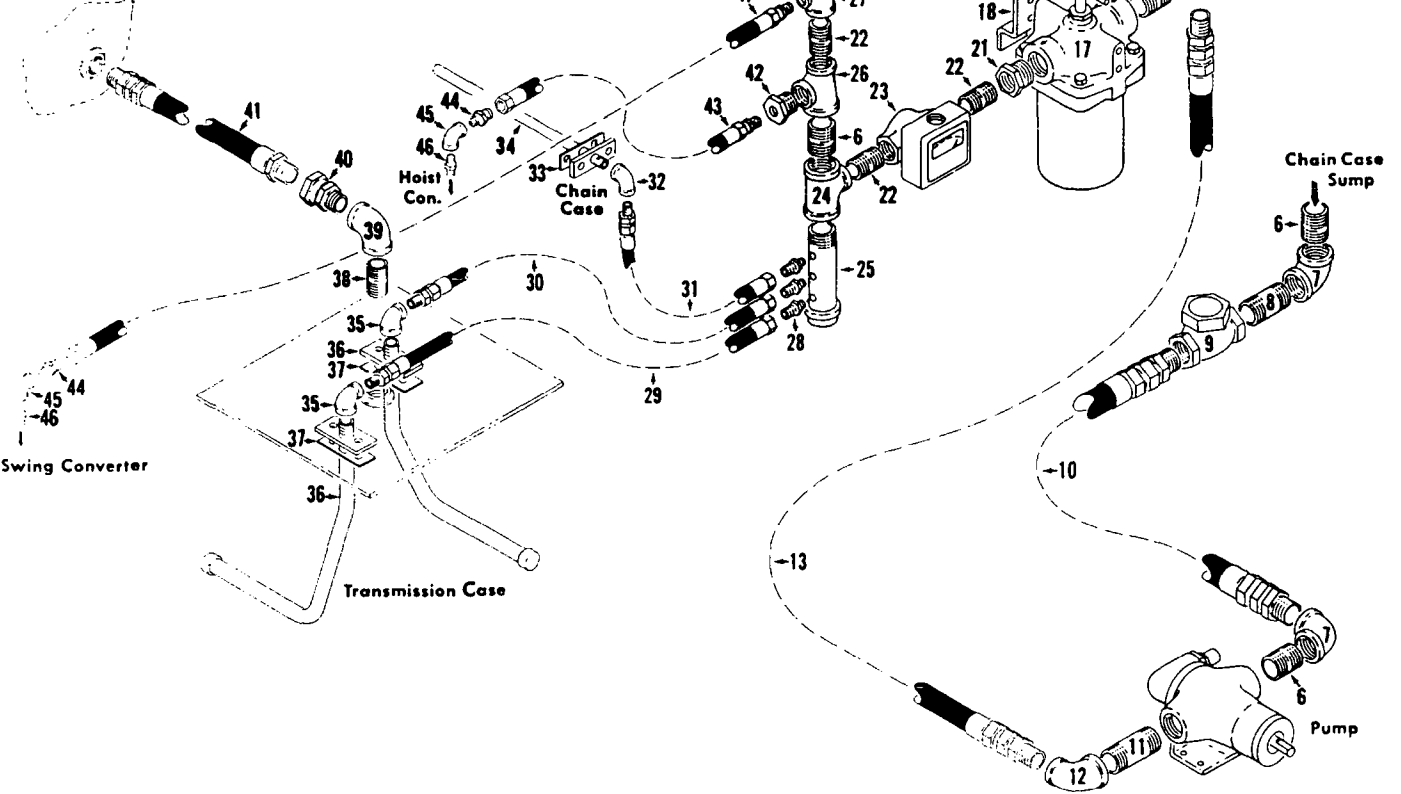


3/4" Port Filter with Direct Reading Gauge

1" Port Filter with Direct Reading Gauge



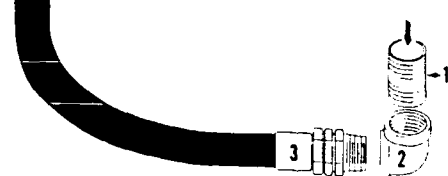
Chain Case



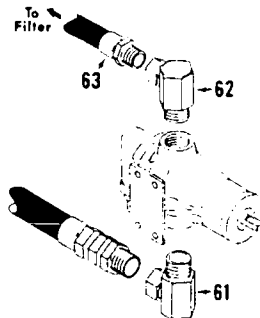
Chain Case



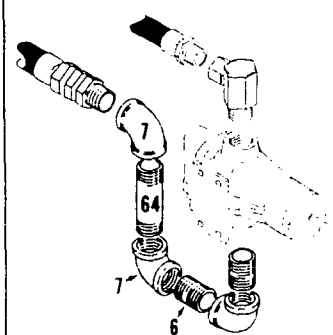
Transmission Case Drain



Machines with Vertically Mounted Oil Pump



Machines with Vertically Mounted Oil Pump w/Oil Trap



MATERIAL LIST ON BACK

LUBRICATION PIPING

48648C5

CLICK HERE TO **DOWNLOAD** THE COMPLETE MANUAL

- Thank you very much for reading the preview of the manual.
- You can download the complete manual from: www.heydownloads.com by clicking the link below



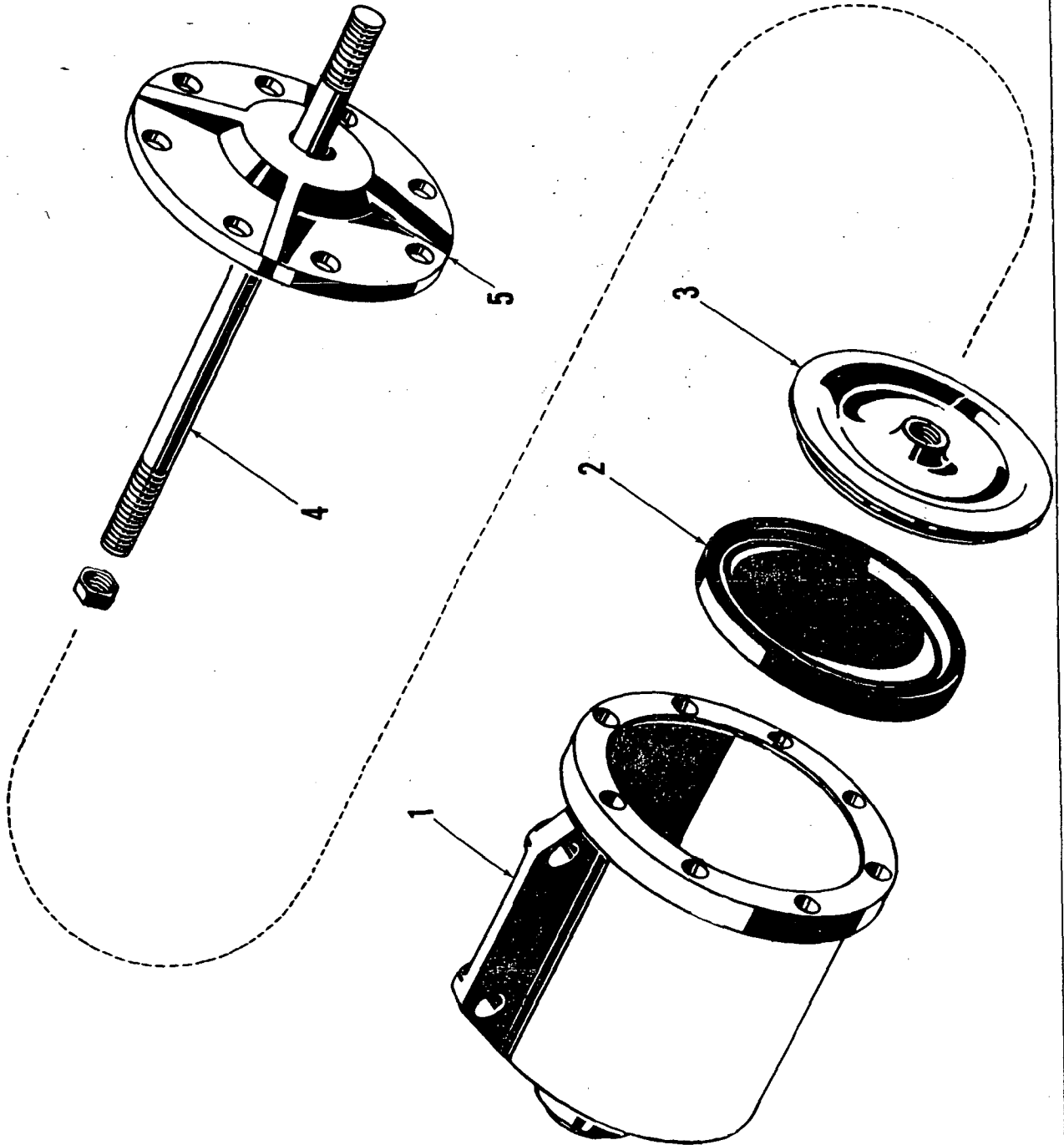
- Please note: If there is no response to CLICKING the link, please download this PDF first and then click on it.

CLICK HERE TO **DOWNLOAD** THE COMPLETE MANUAL

MANITOWOC ENGINEERING CO.

A Division of the Manitowoc Company, Inc.

Manitowoc, Wisconsin



ILLUST. No. 20729 -A-1

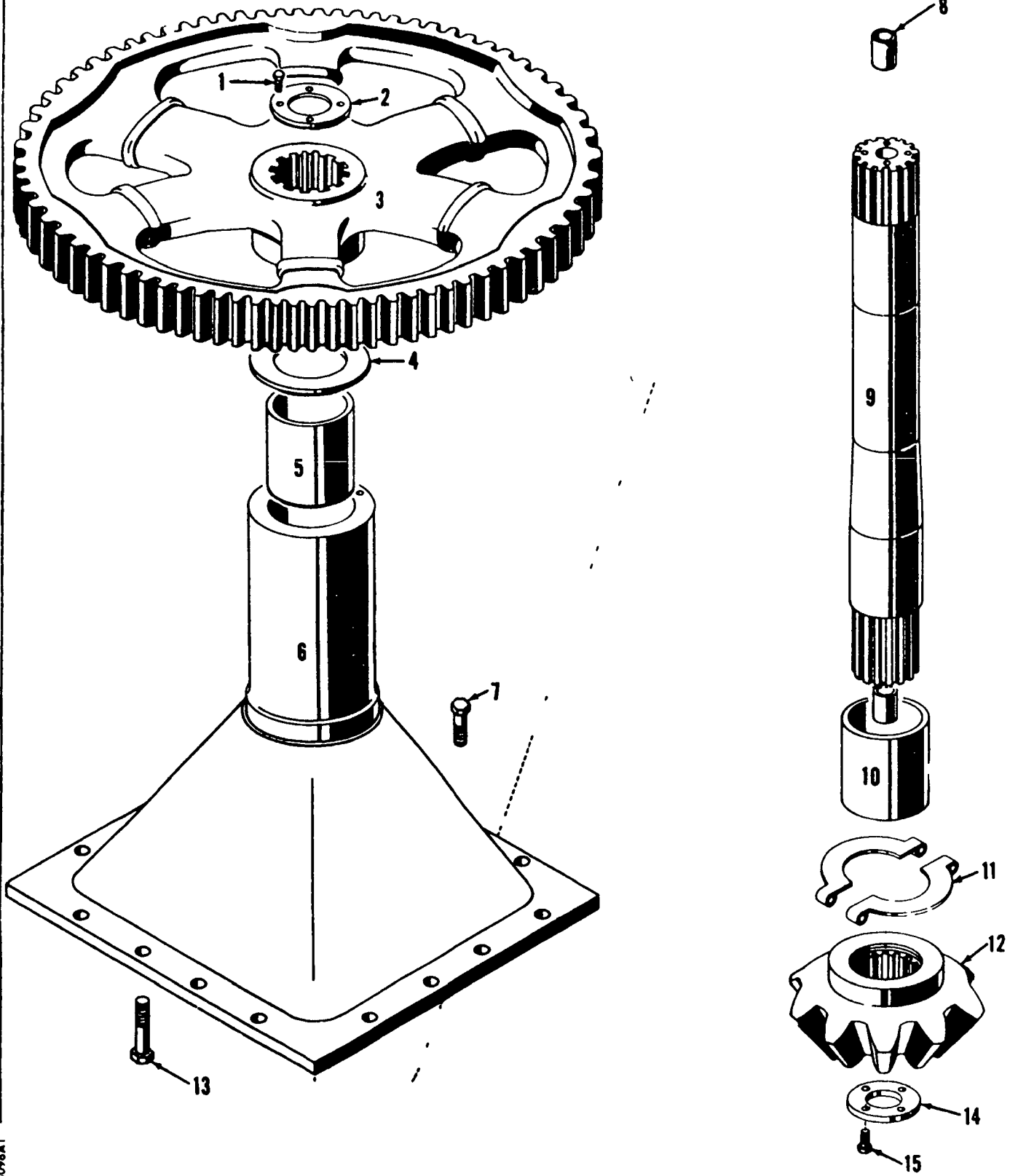
MATERIAL LIST ON BACK

AIR CYLINDER

207291.

MANITOWOC

MASTER



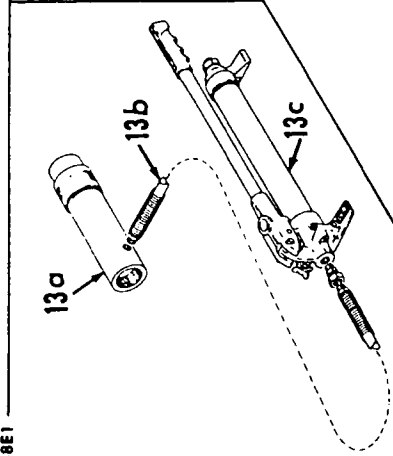
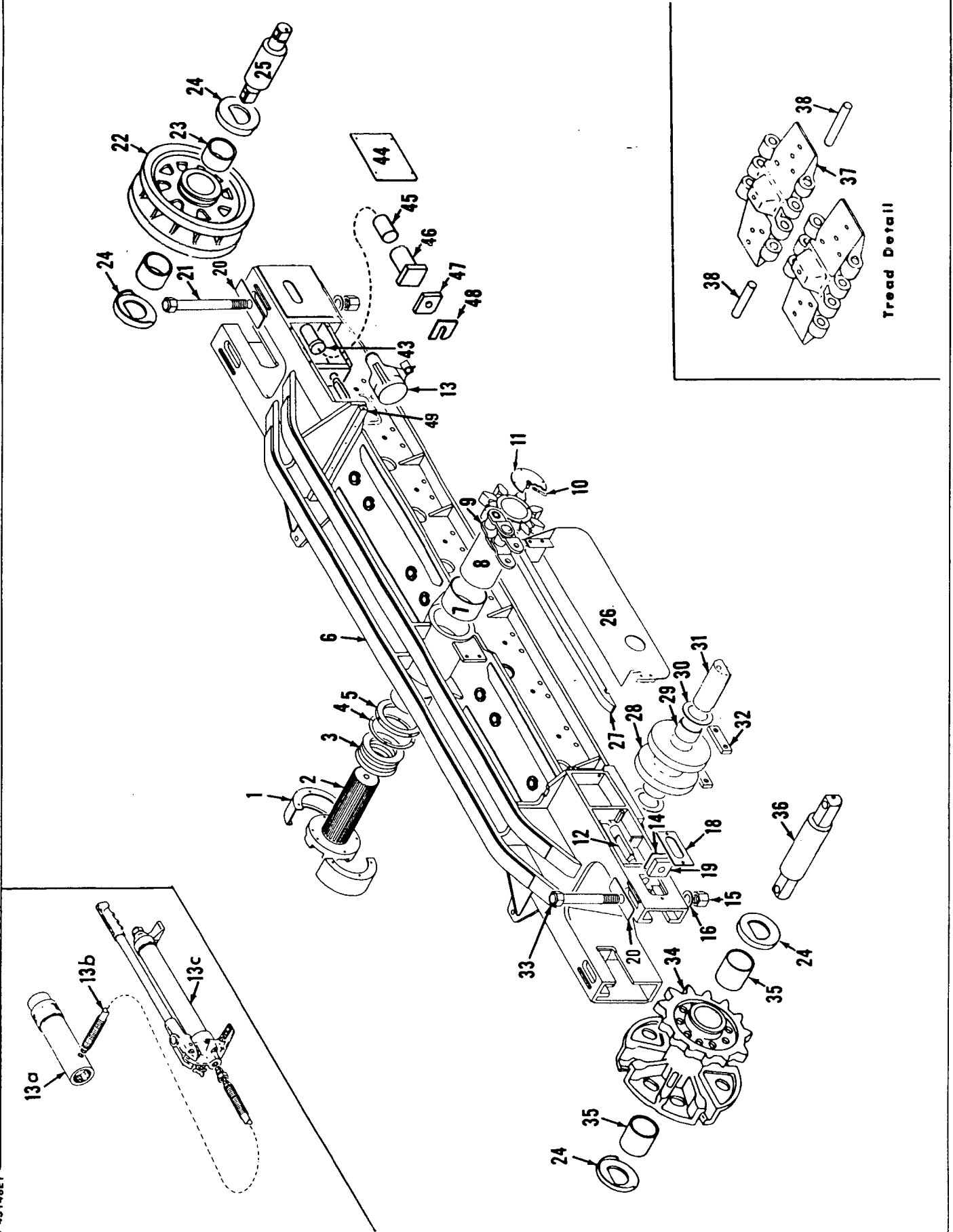
MATERIAL LIST ON BACK

KING PIN & VERTICAL TRAVEL SHAFT

33098 A/

33098A1

MASTER



43148E1

MATERIAL LIST ON BACK

CRAWLERS

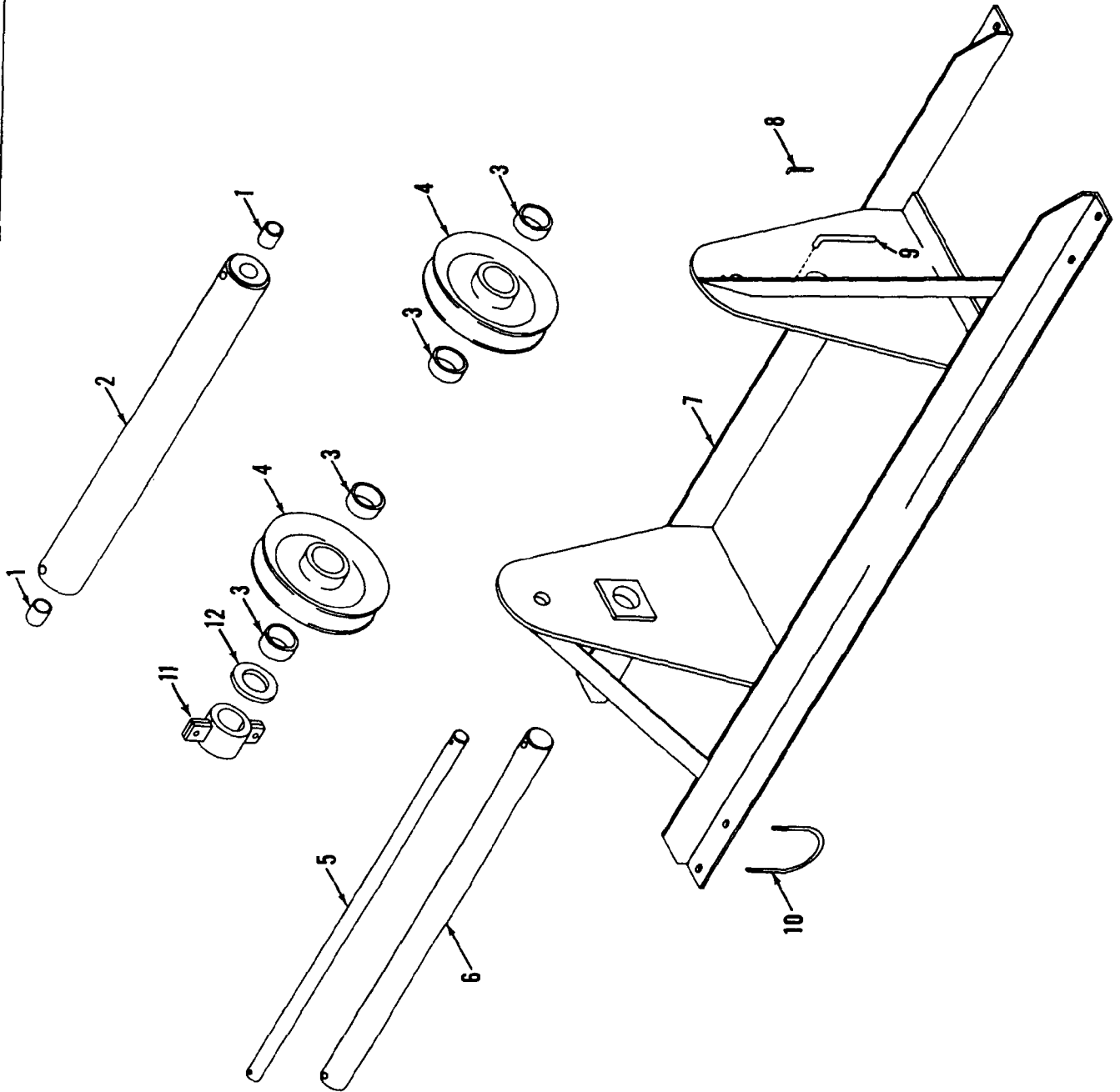
GROUP F - Attachments

MANITOWOC ENGINEERING CO.

A Division of The Manitowoc Company, Inc.

Manitowoc, Wisconsin

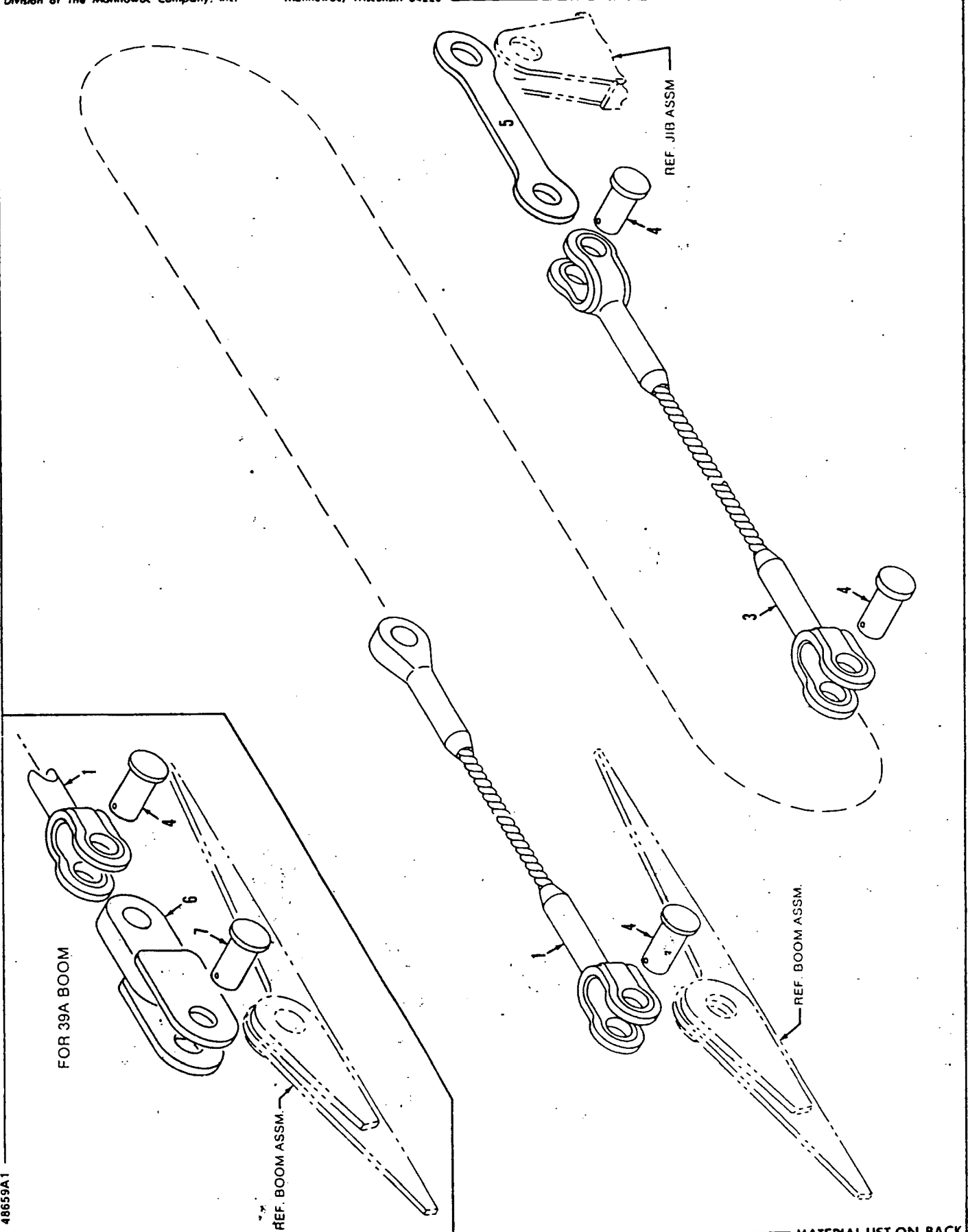
MASTER



3286681

MATERIAL LIST ON BACK

CABLE GUIDE



48659A1

MATERIAL LIST ON BACK

JIB BACKSTAY

-F7.1-

DWG. NO.
77436
CODE NO.
PATTERN NO.

SHEAVE ASSEMBLY
FOR CABLE GUIDE ASSEMBLY
#22 BOOM(TOP)
MODEL **4000 W**

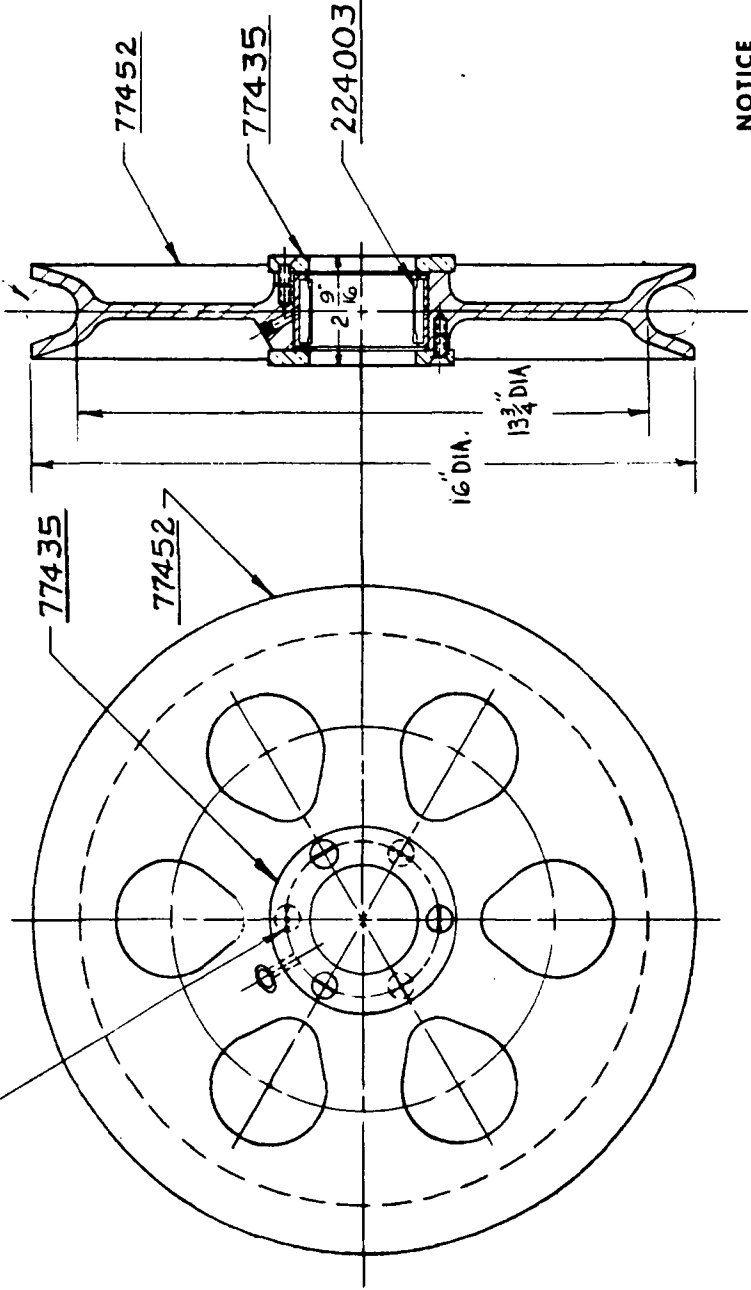
SCALE
3:1 O
DR. R.L.T.
CR. GA
APP.

UNLESS NOTED
PRACT. DIM.
HOLE DIA.
HOLE CENTERS
FINISH

MANITOWOC ENGINEERING CO.
MANITOWOC, WISCONSIN
MATERIAL

DATE
2-1-66
REVISED DATE
11-27-68 L.J.E
WIRE ROPE
SIZE CHANGED

PRICK PUNCH HEADS OF SCREWS
3 PLACES EACH SCREW



NO. REQ.	DRWG. NO.	TITLE
1	77452	SHEAVE
2	77435	RETAINING PLATE
1	224003	BEARING

NOTICE
THIS PRINT REMAINS THE PROPERTY OF
MANITOWOC ENGINEERING CO.
ALL INFORMATION CONTAINED HEREON IS CONFIDENTIAL
IT IS TO BE KEPT SUBJECT TO RETURN UPON DEMAND, AND
NO EXPRESS OR IMPLIED WARRANTY IS TO BE COPIED OR
USED DIRECTLY OR INDIRECTLY IN ANY WAY WHATSOEVER
DETRIMENTAL TO OUR INTERESTS.

33686
33634

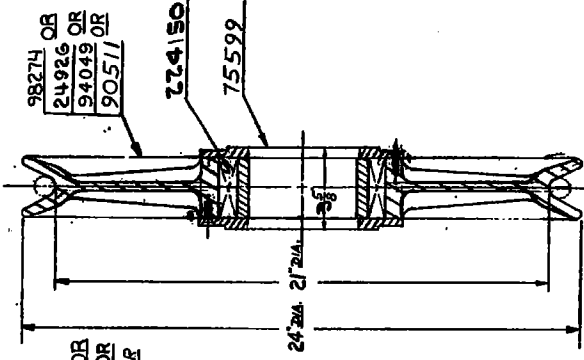
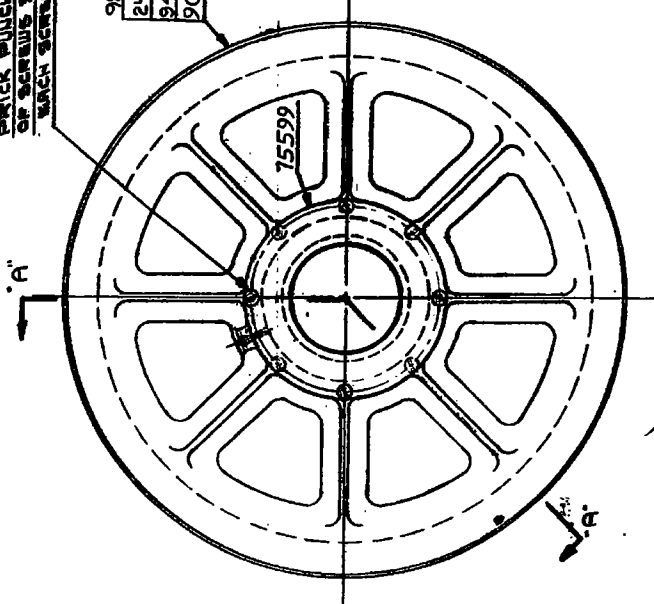
ASSEMBLIES
USED ON

DWG. NO.
77436

01506

APPROVED FOR
90572
90573
180617
98258

PRICK PUNCH HEADS
OF SCREWS IN PLATES
EACH SIDE.



SEC. A-A

NO.	QTY.	DESCRIPTION	UNIT
1	1	RETAINING PLATE	
A	1	SHEAVE - FOR 1 1/2" WIRE ROPE	
B	1	SHEAVE - FOR 1 1/4" WIRE ROPE	
C	1	ROLLER BEARING	
	1	SHEAVE - FOR 1" WIRE ROPE	
	1	SHEAVE - FOR 3/8" WIRE ROPE	

MANITOWOC ENGINEERING CO. MANITOWOC, WISCONSIN	
REVISED BY S-22-74 K.R.W.	SPEEDCRANE - MODEL 3700 - 4000 - 42000H
ADDED	SHEAVE ASSEM.
11-26-79 CRP	ROLLER BEARING
B-15-80 J/N	
ADDED	
DATE 7-29-64	DRAWN BY S. W. L. S.
	MATERIAL
	PATTERN NO.
	CODE NO.
	REV. NO. 90570

01506

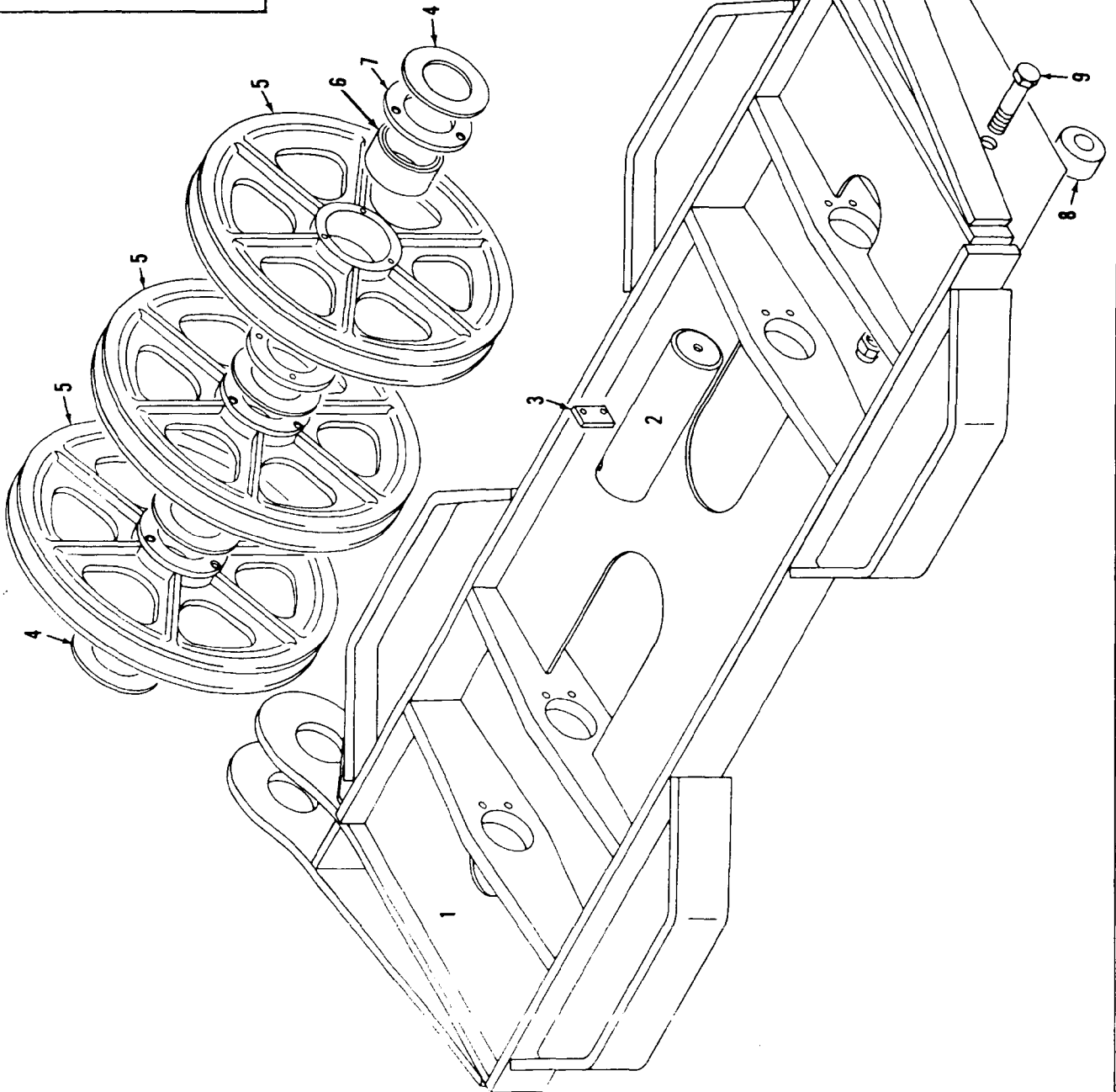
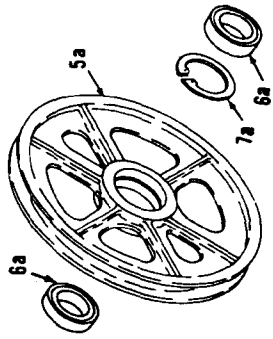
DO NOT SCALE THIS DRAWING

APPROVED FOR
A B C

MANITOWOC ENGINEERING CO.

A Division of The Manitowoc Company, Inc.

Manitowoc, Wisconsin



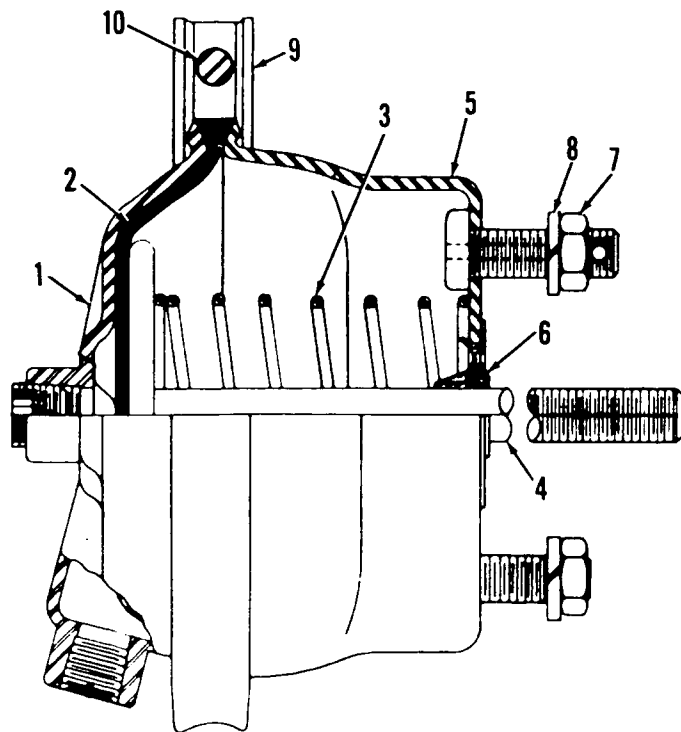
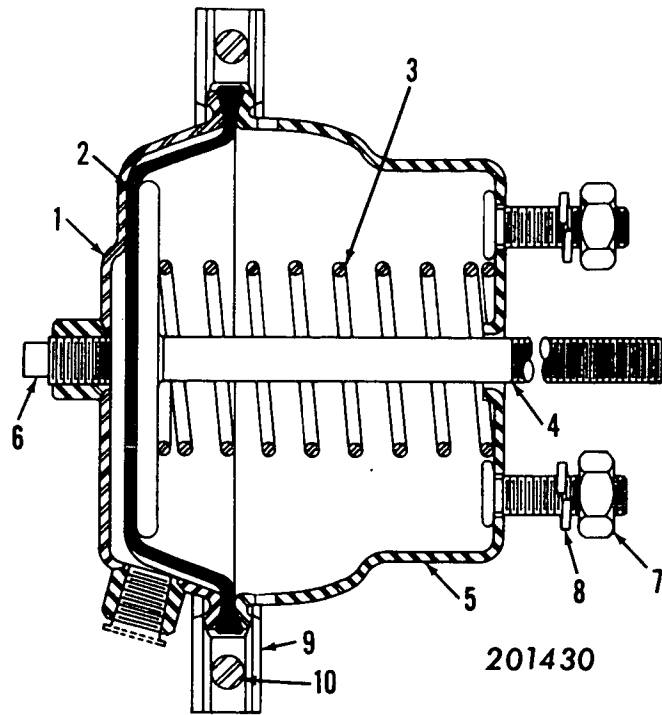
18017681

MATERIAL LIST ON BACK

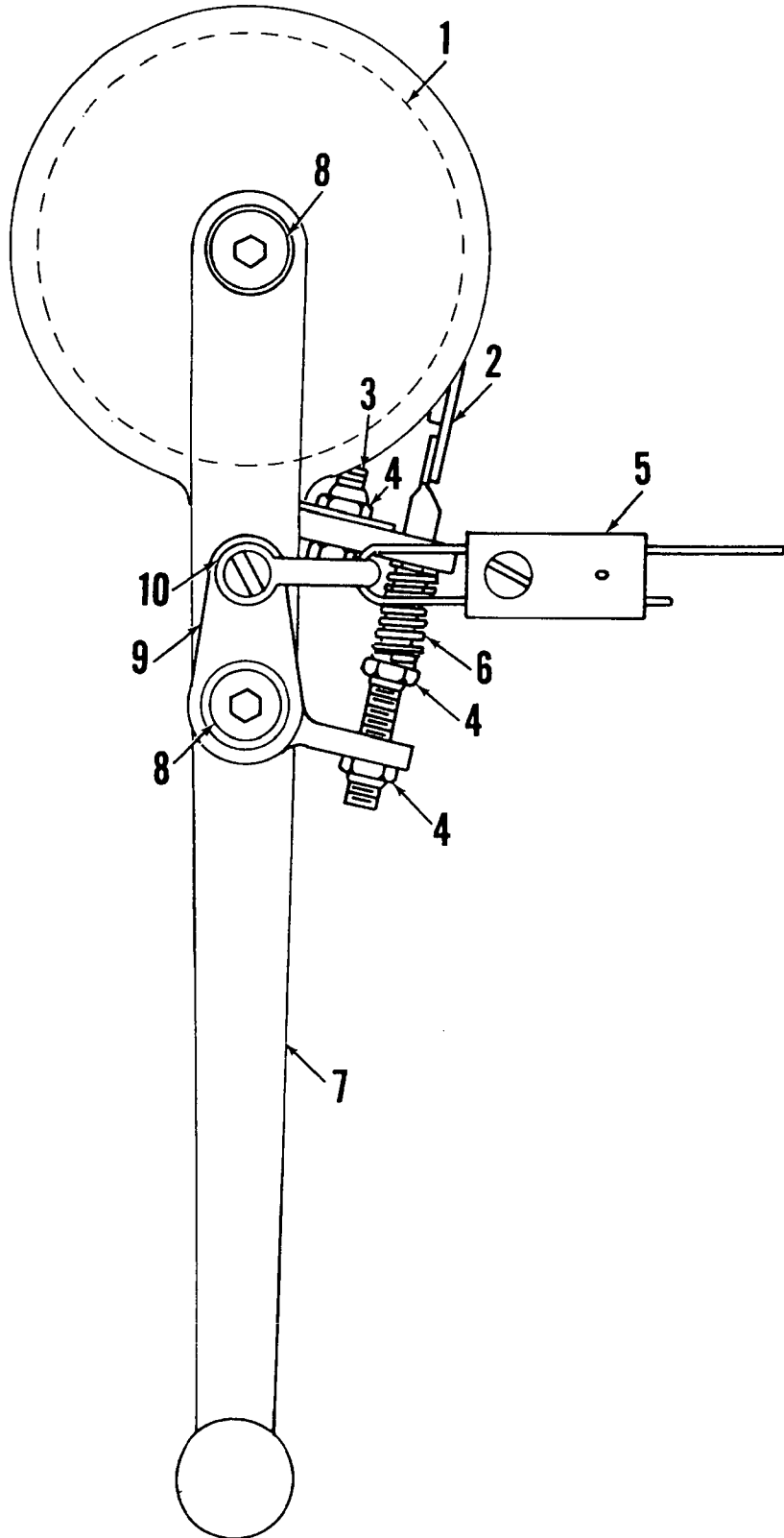
EQUALIZER

O-NUMBER NUMERICAL INDEX

PUBLICATION	REV
0-117	A1
0-117	B
0-117	B1
0-123	A1
0-123	A2
0-147	D2
0-148	-
0-156	C1
0-157	A1
0-173	A
0-243	A
0-243	A1
0-246	C1
0-247	B
0-247	B1
0-250	A
0-250	A1
0-279	B1
0-284	A
0-286	A
0-288	A1
0-289	C1
0-290	E1
0-294	A
0-294	A1
0-294	D1
0-304	G1
0-337	B
0-340	E1
0-407	B
0-407	B1
0-415	B1
0-441	A4
0-441	B2
0-451	AA1
0-451	CA1
0-469	E1
0-471	A1
0-502	-
0-512	-
0-63	B
0-63	B1
0-64	B
0-69	C
0-71	-
0-72	-
0-96	C1
0-99	-



MASTER



MASTER

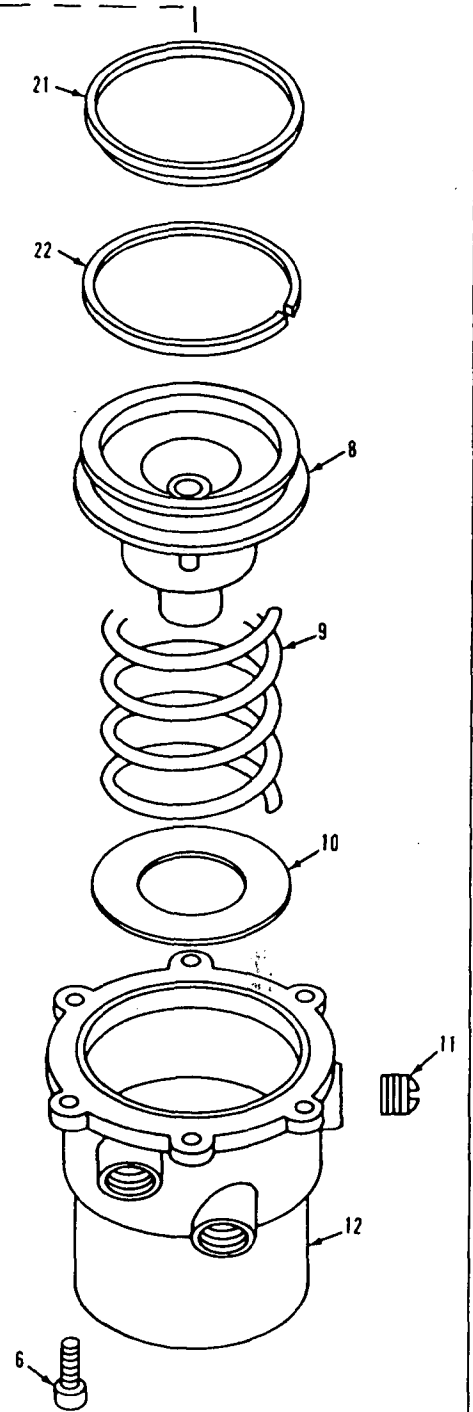
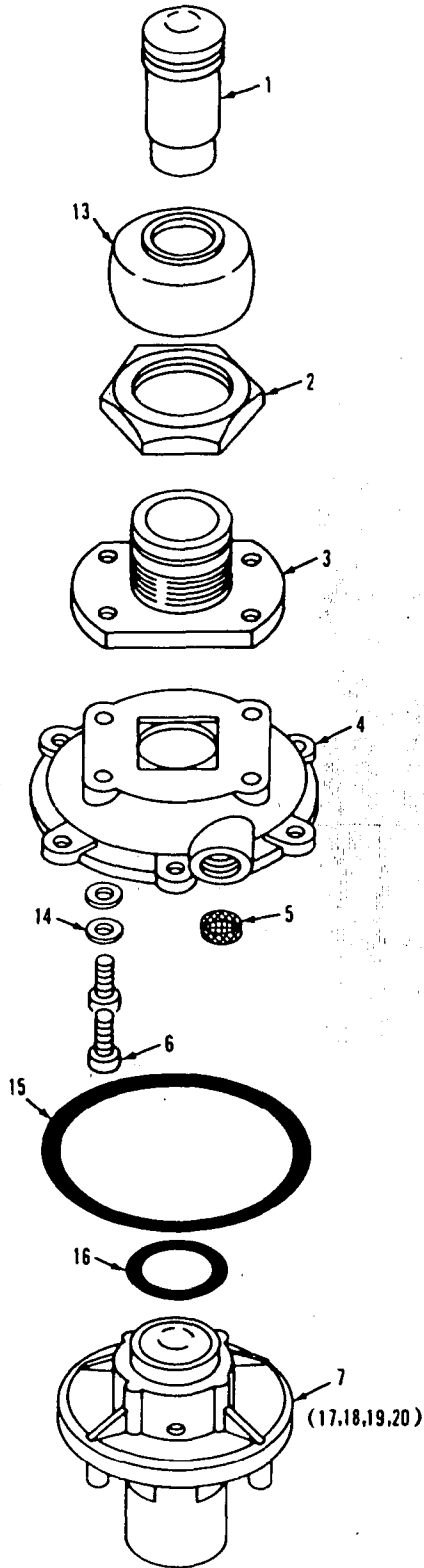
THROTTLE CONTROL ASSEMBLY

O-173

MATERIAL LIST ON BACK

O-173

MASTER

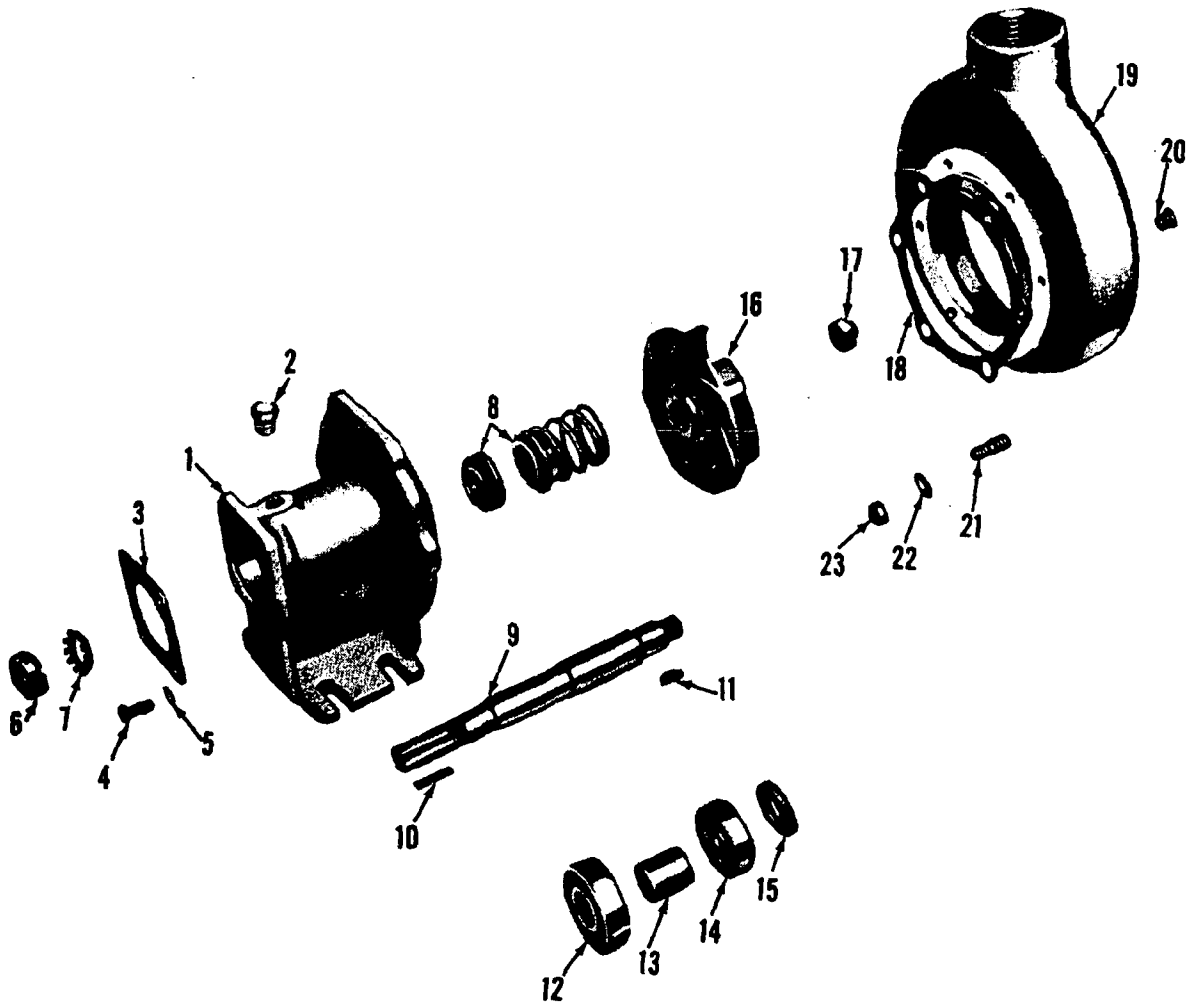


MANITOWOC ENGINEERING CO.

A Division of The Manitowoc Company, Inc.

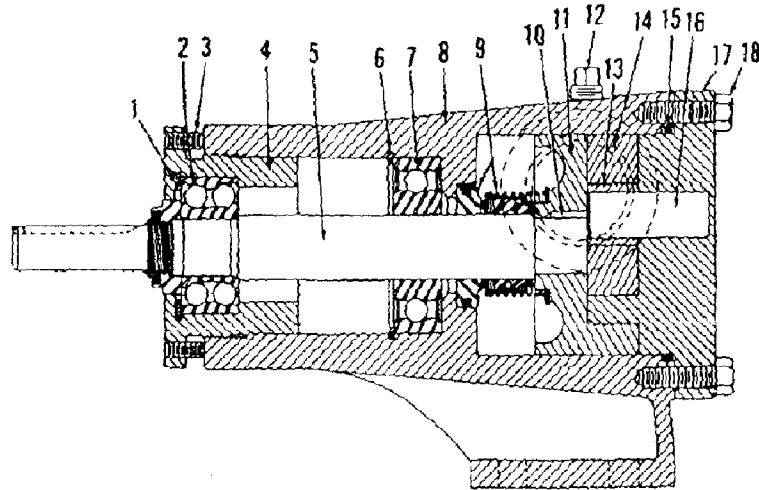
Manitowoc, Wisconsin

MASTER

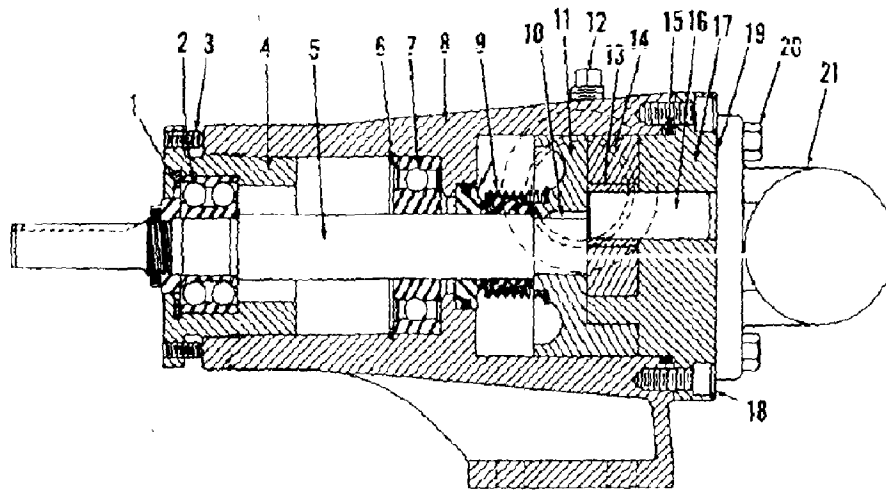


43051A6

MATERIAL LIST ON BACK

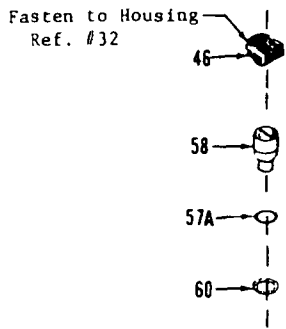


Pump No. 33252

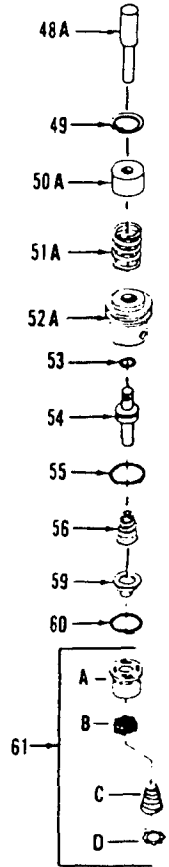


Pump No. 33019

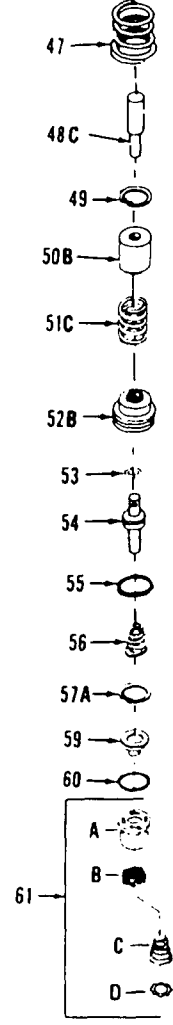
Cavity Plugged



3 Way Valve



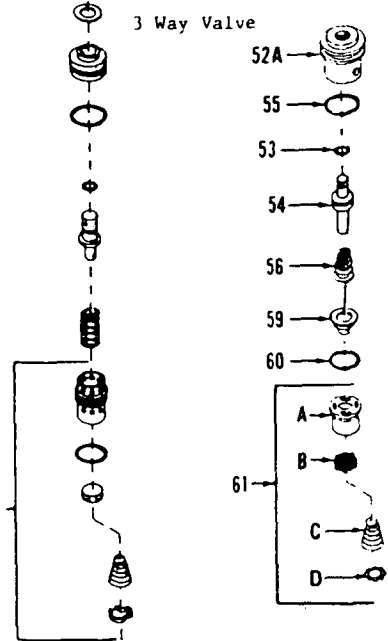
Modulating Valve



REPAIR AND CONVERSION KITS

Obsolete

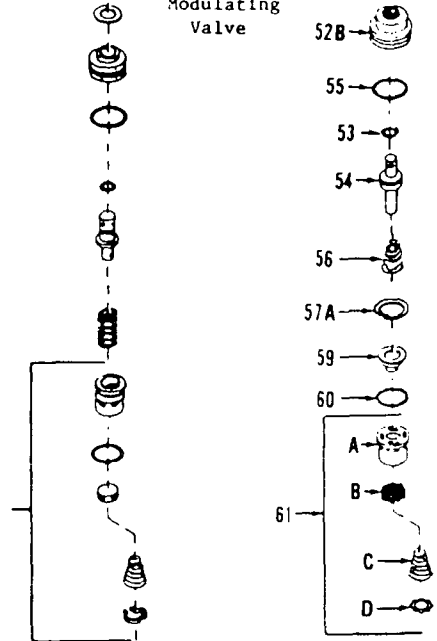
Replace With



Obsolete

Modulating Valve

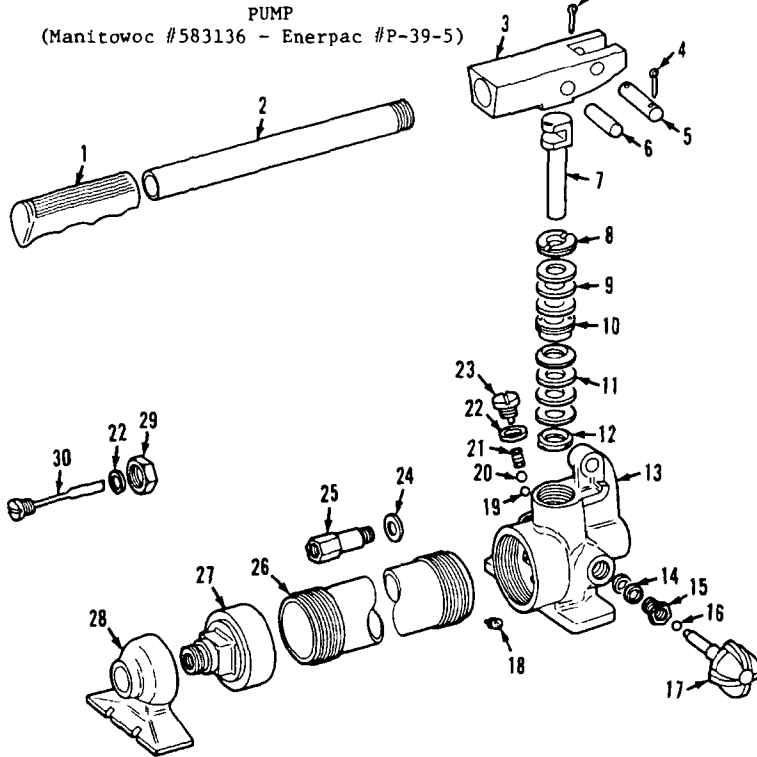
Replace With



MANITOWOC ENGINEERING CO.

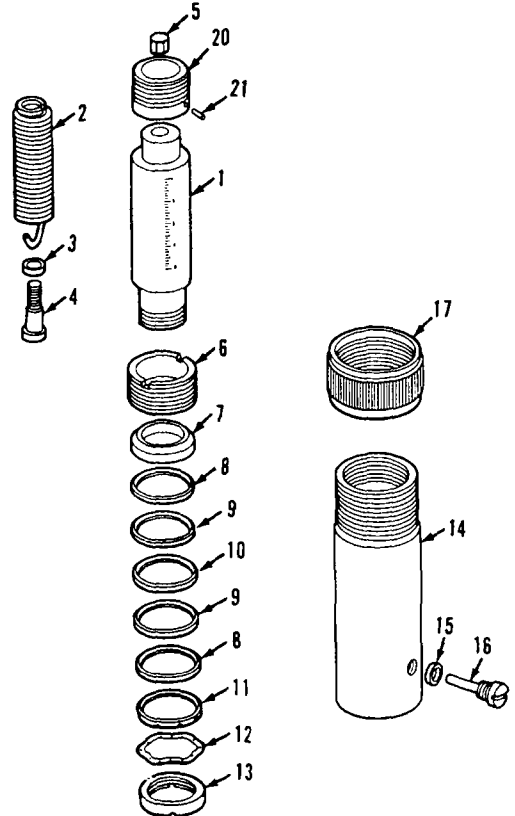
A Division of The Manitowoc Company, Inc.

Manitowoc, Wisconsin



Ref. No.	No. Req.	Description	Part No.
1	1	Grip	C7.550
2	1	Handle	C7.900
3	1	Beam	B113.060-1
4	2	Pin, Cotter	S1.59
5	1	Pin, Beam	P76.63
6	1	Pin, Cross	P75.57
7	1	Plunger, Pump	P16.51
8	1	Nut, Retaining	P16.54
9	3	Packing, Pump	*
10	1	Nut, Cup Ret.	P16.55
11	4	Cup, Pump	*
12	1	Spreader	P1.52-2
13	1	Base	B121.005-1
14	2	Packing	*
15	1	Nut, Packing	MJ11-1
16	1	Ball	*
17	1	Spindle	J435.900
18	1	Screen, Oil	P807.18
19	2	Ball	*
20	1	Ball	*
21	1	Spring	S1.183
22	3	Gasket	*
23	1	Plug, Valve	CB9.185
24	1	Gasket	B159.167
25	1	Valve, By-pass	P182.190-2
26	1	Reservoir	P16.25
27	1	Cap, Reservoir	P75.266-1
28	1	Rest., Pump	P76.267-1
29	1	Nut	P75.181
30	1	Plug, Filler	B110.900
*		Kit	P39K-1

JACK
(Manitowoc #385177 - Enerpac #RSP-251)



Part numbers are the Venders, Enerpac, Butler, Wis. 54220. Please so Specify if ordering from Manitowoc Engineering Co. When ordering parts, please give Model number and Serial number. See Nameplate for this information.

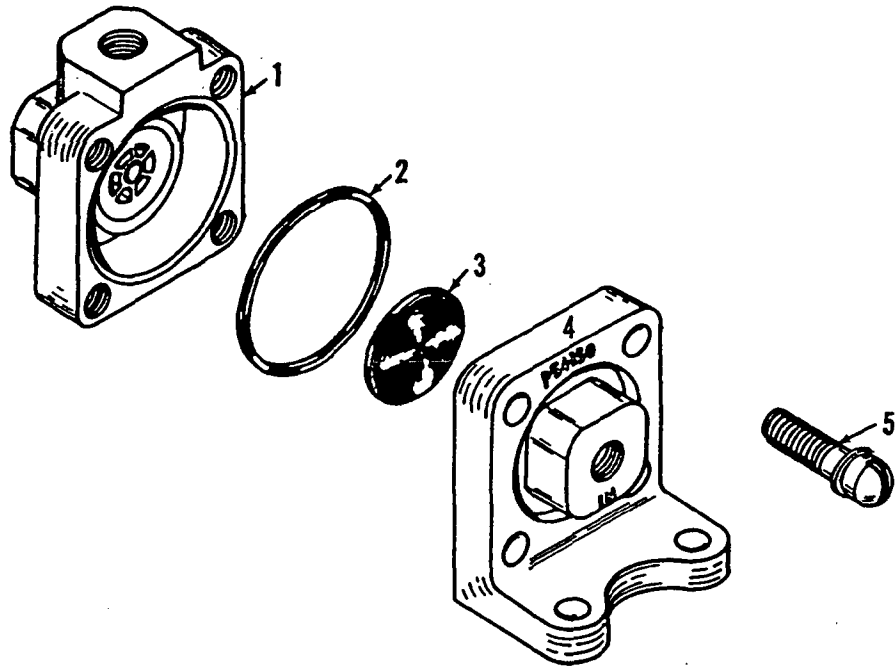
Ref. No.	No. Req.	Description	Part No.
1	1	Plunger Assembly	R251.900
20	1	Saddle	R251.45
21	1	Pin	R251.61
2	1	Spring	R225.184
3	1	Bearing Thrust	R225.155-1
4	1	Screw, Adjusting	R225.143-1
5	1	Nut	R225.55
6	1	Ring, Stop	R77.44-1
7	1	Disc	R225.71
8	2	Chevron	*
9	2	Separator, Cup	*
10	1	Chevron	*
11	1	Spreader	R77.43-1
12	1	Washer, Spring	*
13	1	Nut, Retaining	R77.35
14	1	Base	R225.05
15	1	Gasket	*
16	1	Screw, Retaining	R225.302
17	1	Protector, Thread	R158.271
	1	Coupler, Half	AR400
	1	Cap, Dust	Z410-1
	1	Decal	*
		Kit, Cylinder Packing	RC251K
		Kit, Coupler Packing	A604K

Crawler Adjusting Jack and Pump

MANITOWOC ENGINEERING CO.

A Division of The Manitowoc Company, Inc.

Manitowoc, Wisconsin



0-4381

MATERIAL LIST ON BACK

SHUTTLE VALVE ASSEMBLY

0-69 - 1 Cont.	REV. C.	MODEL 2300-4600 Incl.
----------------	---------	-----------------------

AIR CONTROL VALVE
 (MANITOWOC #714493 - WESTINGHOUSE #P59331 NEW : P54424-0101 OLD) (2-HA-1)
 (MANITOWOC #714418 - WESTINGHOUSE #P59333 NEW : P54424-0301 OLD) (2-HA-LR)

REF. NO.	PART NUMBER	QUANTITY REQUIRED	DESCRIPTION OF PART	VENDORS PART NO.
13		1	CAM	P54192
14		1	FOLLOWER, Cam	P54197
15		2	SCREW, Truss Head	P49861-3
16		2	LOCKWASHER	506608
17		1	FLANGE, Valve Retaining	P54463
18	714504	1	RING, "0" (15/16" O.D.)*	P49708-16
19		1	GUIDE, Plunger	P54147
20	714506	1	RING, "0" (7/16" O.D.)*	P49708-11
21		1	PLUNGER, Valve	P54146
22	714525	1	SPRING, Exhaust Valve*	P54144
23		1	SEAT, Inlet Valve*	P54145
24	714441	1	RING, "0" (7/8" O.D.)*	P49708-115
25		1	WASHER	P53455-3
26	714442	1	VALVE, Inlet*	P5125
27	714526	1	SPRING, Inlet Valve	539115
28		1	SPACER, Valve	P54794
29		1	SCREEN	P54194
30		1	BODY	P54305
31		2	WASHER	506607
32		2	SCREW, Fillet Head	P49835

*Recommended to be stocked at all times.

NOTE: Part numbers at right are Westinghouse. Please so specify if ordering.
 Valve changed approx. July 1969. Check nameplate for identification of valve.

REV. C	0 - 69 -1
--------	-----------

PLEASE GIVE MACHINE S/N W/ORDER

Run as front

MASTER

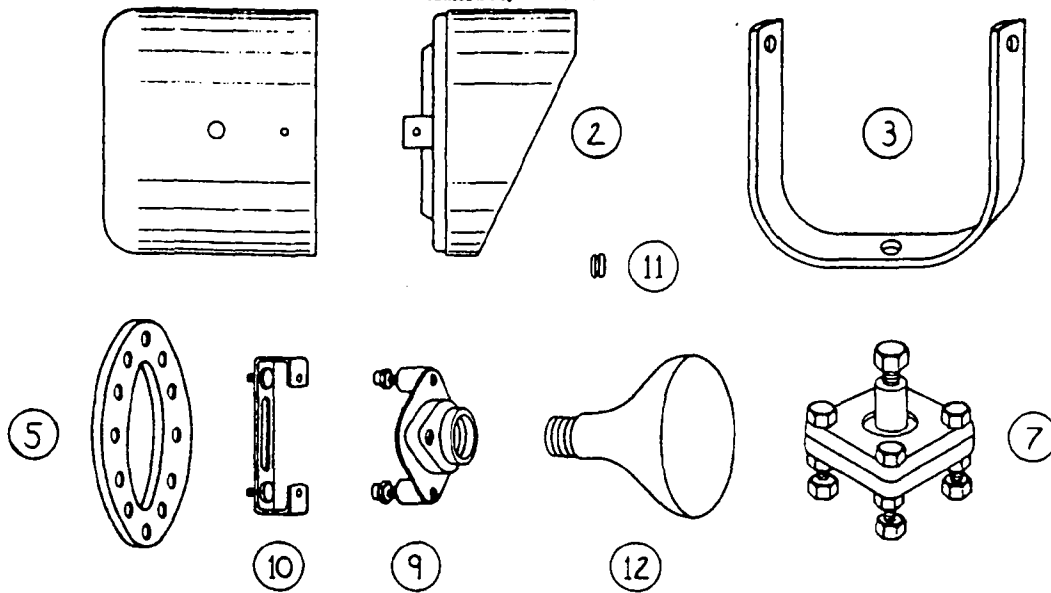
0-69 Cont.

MANITOWOC ENGINEERING CO.

A Division of The Manitowoc Company, Inc.

C13.1

Manitowoc, Wisconsin



ITEM	DESCRIPTION	PART NO.
1	Shell	PHX-B-193-1
2	Visor complete with (2) mounting screws	PHX-B-194-2
3	Harp	PHX-B-197
4	Harp fastening hardware, consisting of: (2) 3/8 - 16 X 1" lg. machine bolts (4) 3/8 - 16 hex. jam nuts (4) 3/8" lock washers (2) 3/16" wrought washers	
5	Pressure ring	PHX-B-414
6	Pressure ring fastening hardware consisting of: (3) #10-24 X 1-1/4 lg. machine screws (3) #10-24 lock nuts (6) 3/16" cut washers (3) 3/8 O.D. X 1-1/2 lg. springs (3) 3/8 O.D. X 1-1/16 lg. springs	
7	Mounting Base	161-B-111
8	Nameplate and (2) drive screws	910
9	Socket assembly, complete with porcelain mogul base socket, rubber spacers, mounting plate, and mounting screws and nuts	MB-213
10	Bracket, socket complete with lock washers and acorn nuts	MA-205
11	Grommet	200Y-2
12	Lamp, 120V, 500W, R/40, MO/S Base	500R/3FL/MS
	Lamp, 120V, 300W, R/40, MO/S Base	300R/3FL/MS
13	Wire Assembly complete with wire stop and terminals	MA-178

For Model 120-500, bracket (Item 10) must be ordered with each replacement socket. For Model 120-500A, order socket assembly (Item 9) only.

When ordering specify plate number, item number and description, and quantity.

<p>STURDILITE REPAIR PARTS</p> <p>MODEL NOS. 120-500 & 120-500A</p>	<p>PHOENIX PRODUCTS CO.</p> <p>4715 N. 27TH ST.</p> <p>MILWAUKEE 9, WIS.</p>
	<p>O-99</p>

MASTER

CLICK HERE TO **DOWNLOAD** THE COMPLETE MANUAL

- Thank you very much for reading the preview of the manual.
- You can download the complete manual from: www.heydownloads.com by clicking the link below



- Please note: If there is no response to CLICKING the link, please download this PDF first and then click on it.

CLICK HERE TO **DOWNLOAD** THE COMPLETE MANUAL