



TRADITIONAL CRANE PARTS MANUAL

This manual has been prepared for and is considered part of

4000W

Model

40328

Serial Number

GROUP A = Rotating Structure (Includes rotating bed, operator's cab, cases, fuel tanks, transfer pump, counterweights, guards, platforms, catwalks, machinery enclosure, horn)

GROUP B = Upperworks Machinery (Includes front, rear, and auxiliary drums, boom hoist, swing and drive shafts, hand levers, foot pedals, control linkage, rotation indicators, upperworks hydraulic components, hydraulic piping, hydraulic oil reservoir, lubrication pump and piping, blowers)

GROUP C = Air Components & Electrical (Includes control console, air piping, electric wiring, auxiliary light plant and lighting, TV monitoring, compressor and air tank)

GROUP D = Power Components - Upperworks (Includes engine or motor, radiator, auxiliary power plant, take off converters and piping, controls, VICON power lowering, torque limiter, hydraulic pumps and piping, fuel piping, battery box)

GROUP E = Lower Structure & Control (Includes carbody, crawlers, travel shafts and control, steering travel locks, hydraulic travel, travel power outriggers, carrier, pedestal, lowerworks hydraulic piping, RINGER components, barge mounting and machinery, spud drums)

GROUP F = Attachments (Includes booms, jibs, masts, tower, wire rope guides, equalizer, gantry, fairlead, timber guards, boom angle indicator, block-up limit, tag line, hook block, weight ball, upper and lower boom point, wind speed indicator, crowd and retract dipper sticks, dippers,)

O-NUMBER SECTION = (Includes lacing drawings and purchased component parts drawings referenced in sections A through F)

This manual is arranged in sections as listed above. Sections A through F are arranged by group numerical order with an index after each section tab. An alphabetical index for groups A Through F combined is located after the O-number Section. The O-number section is arranged in numerical order by O-number. Following this cover page are the Basic Specifications, Warranty Information, Tool List (if applicable) Outline Dimensions, Weights, and Dealer Listing.

MANITOWOC CRANES, INC.

2401 South 30th Street • PO Box 70

Manitowoc, WI 54221-0070

Phone: 920-684-6621 • Fax: 920-683-6278

CLICK HERE TO **DOWNLOAD** THE COMPLETE MANUAL

- Thank you very much for reading the preview of the manual.
- You can download the complete manual from: www.heydownloads.com by clicking the link below



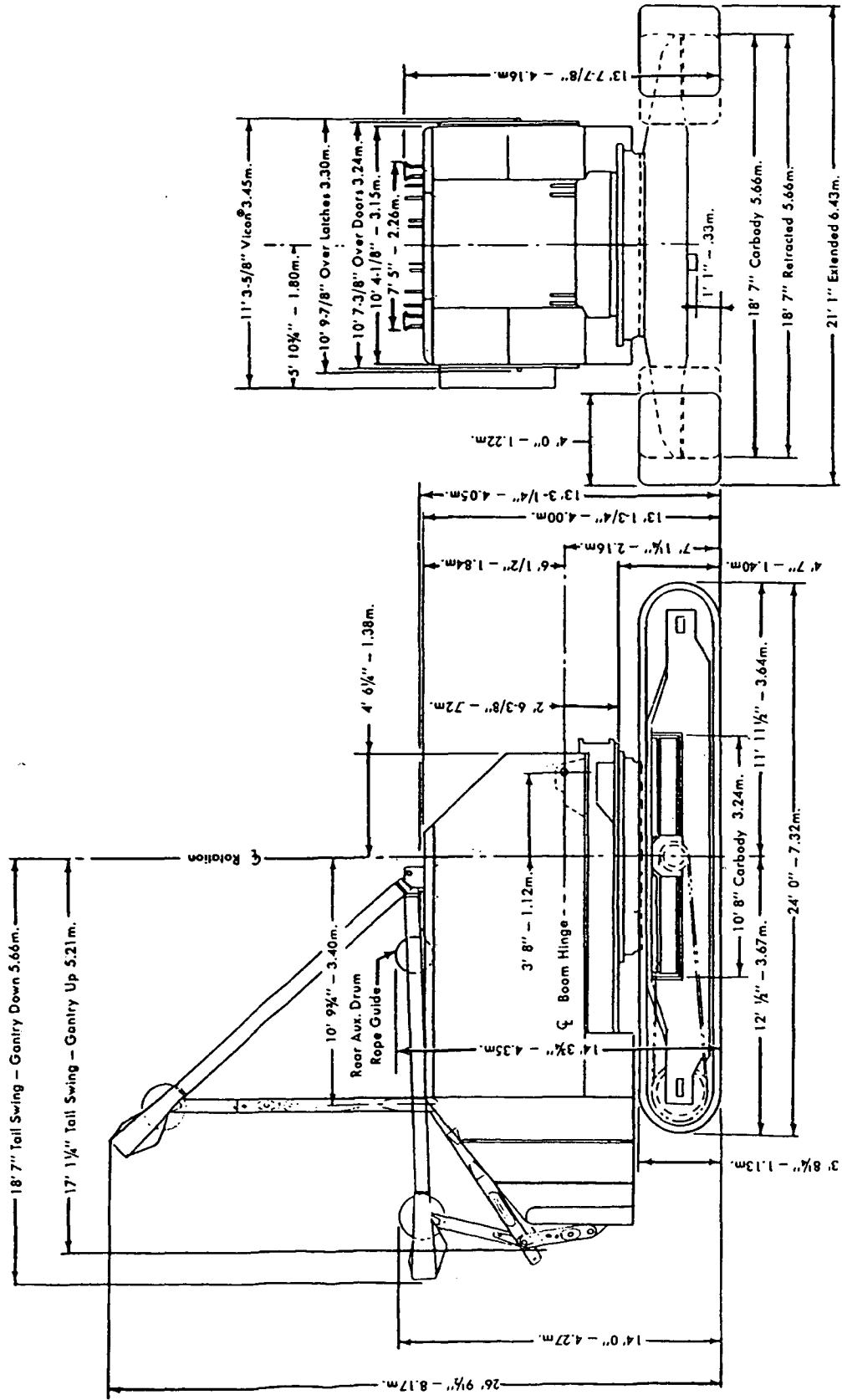
- Please note: If there is no response to CLICKING the link, please download this PDF first and then click on it.

CLICK HERE TO **DOWNLOAD** THE COMPLETE MANUAL

MANITOWOC ENGINEERING CO.

A Division of The Manitowoc Company, Inc.

Manitowoc, Wisconsin



8-27-71
5-1-70
3-21-68
Drwg. Date 1-24-68

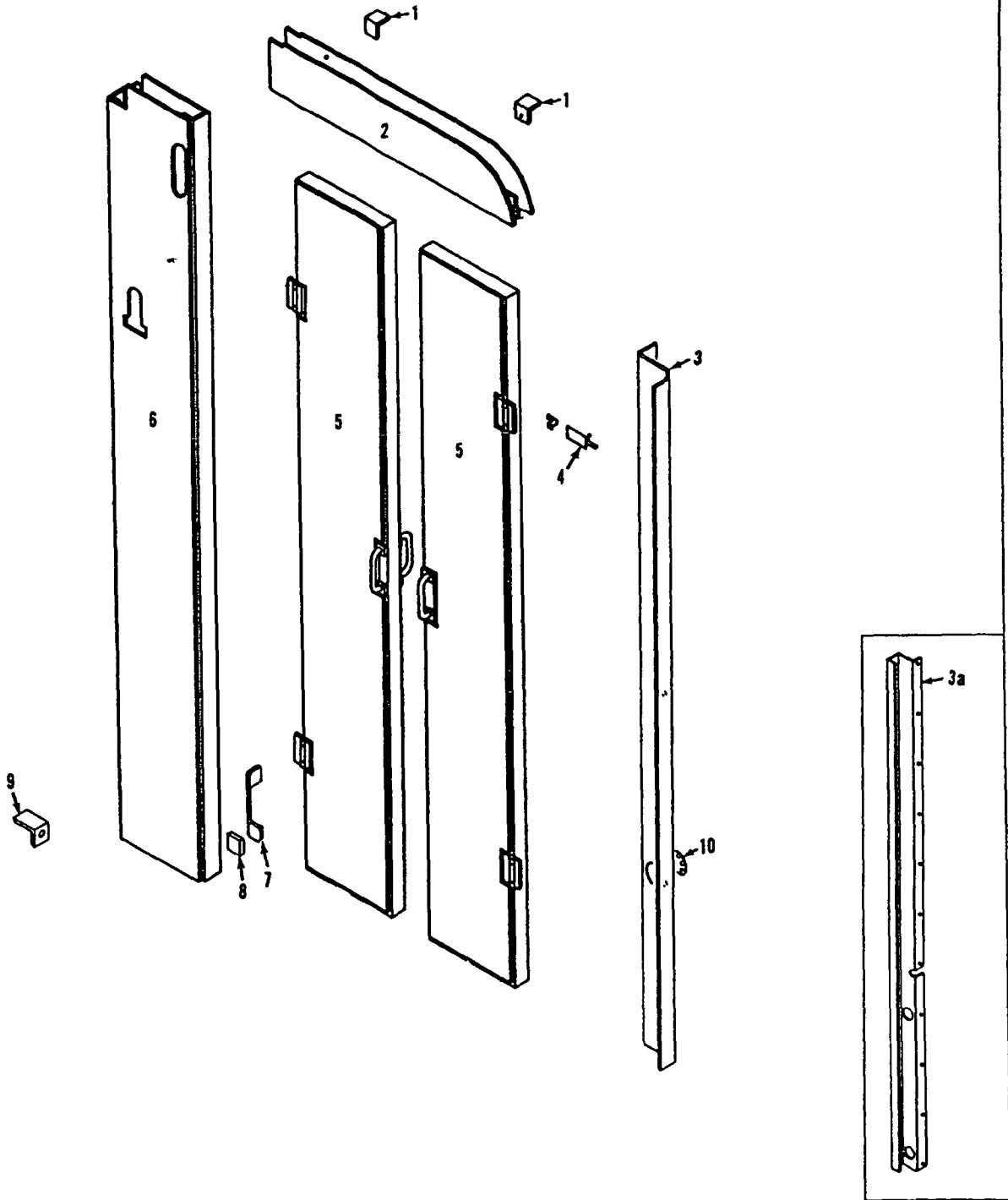
MASTER

92022

92022

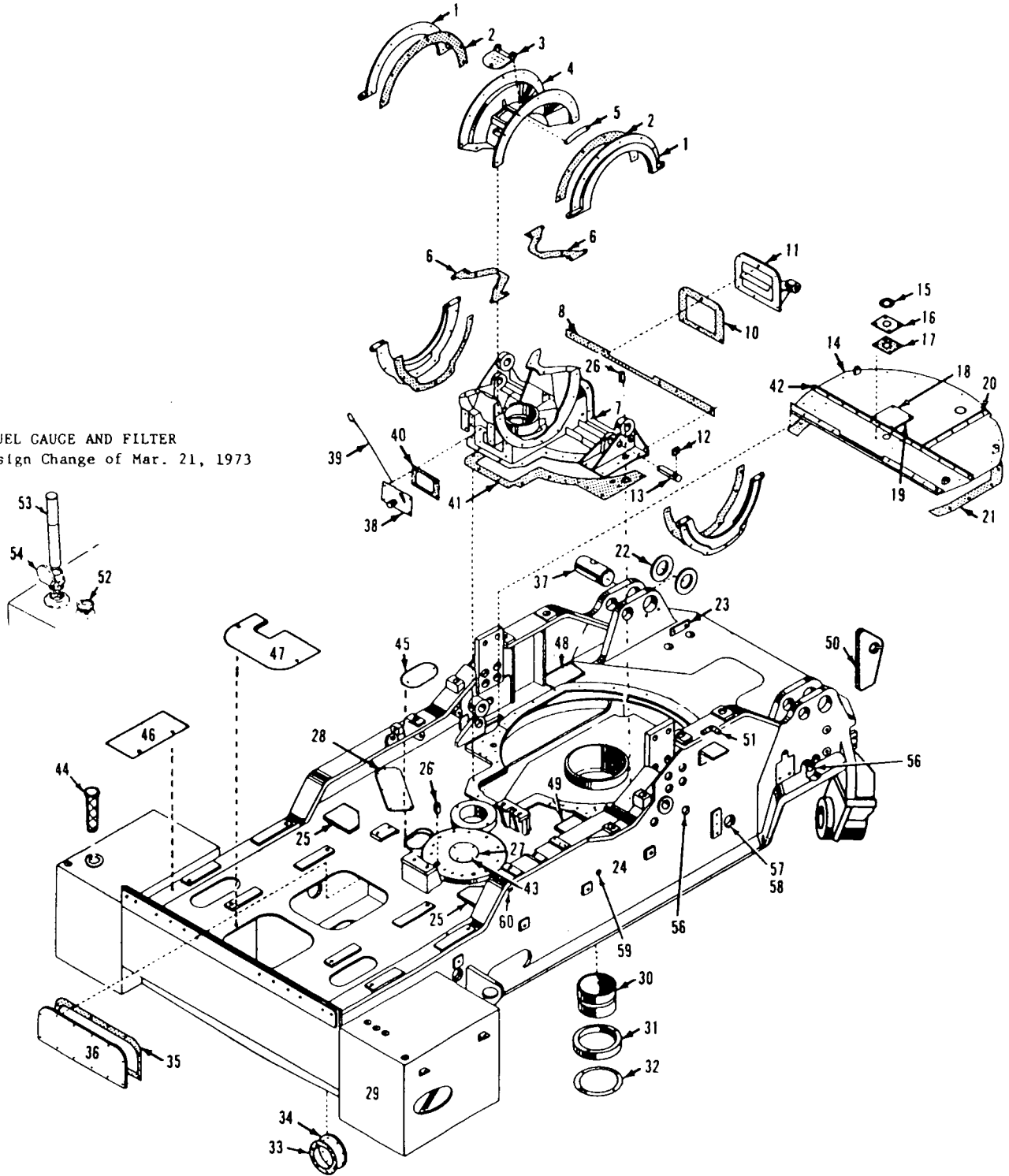
OUTLINE DIMENSIONS M4000W SLOPING ROOF

MASTER



MASTER

FUEL GAUGE AND FILTER
Design Change of Mar. 21, 1973

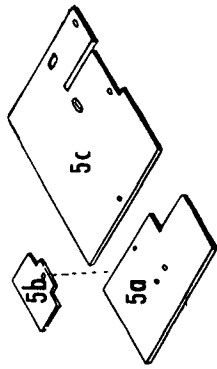


42103K1

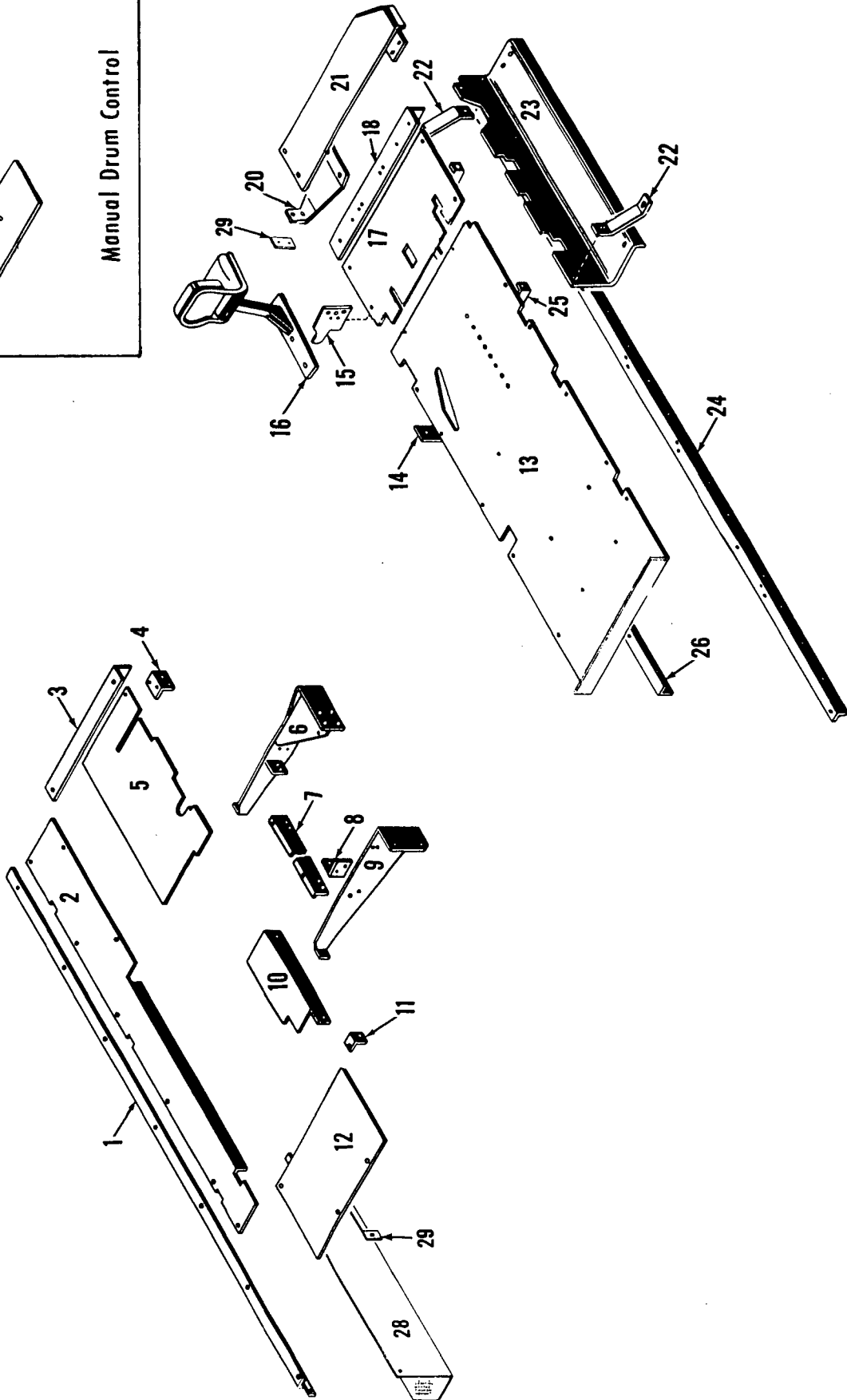
MATERIAL LIST ON BACK

ROTATING BED

MASTER



Manual Drum Control

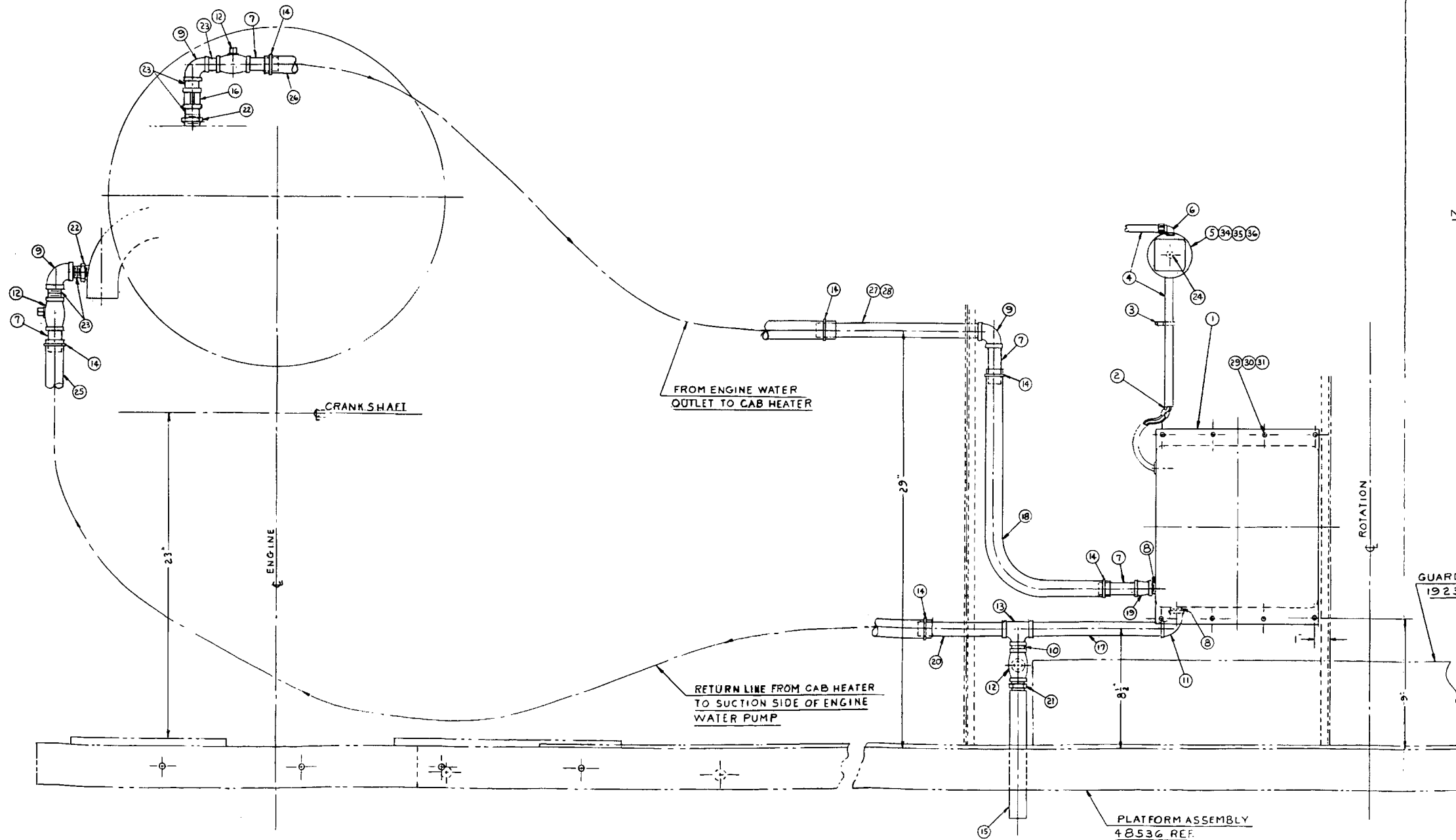


42880F1

MATERIAL LIST ON BACK

PLATFORM

42880 F1



NOTICE
THIS PRINT REMAINS THE PROPERTY OF
MANITOWOC ENGINEERING CO.

ALL INFORMATION CONTAINED THEREON IS CONFIDENTIAL. IT IS LOANED, SUBJECT TO RETURN UPON DEMAND, AND ON EXPRESS CONDITION THAT IT IS NOT TO BE COPIED OR USED DIRECTLY OR INDIRECTLY IN ANY WAY WHATSOEVER DETRIMENTAL TO OUR INTERESTS.

BILL OF MATERIAL						REMARKS	ASSEMBLIES USED ON
ITEM NO.	QTY.	DESCRIPTION	SIZE	MATERIAL	CODE NO. OF D.W.G. NO.		
1	1	KYSOR M-1075 24V. HTR		480016	480016	WITH SWITCH	
2	2	IGNITION CABLE		296696	296696	ON HEATER	
3	3	STRAP		667204	667204	ONE HOLE	
4	1	1/4" LOOM X 12		510706	510706		
5	1	HANDY BOX & COVER		268508	268508		
6	1	CONNECTOR		364155	364155		
7	4	1/2" X 3" LG. STD. PIPE		566120	566120	THD. ONE END	
8	2	3/8" CLOSE NIPPLE		543403	543403		
9	3	1/2" X 90° ELBOW		406953	406953		
10	1	1/2" CLOSE NIPPLE		543404	543404		
11	1	1/2" X 3/8" X 90° RED. ELBOW		406896	406896		
12	3	1/2" STEAMCOCK		355004	355004		
13	1	1/2" TEE		679303	679303		
14	6	HOSE CLAMP		345337	345337		
15	1	1/2" PLASTIC HOSE 12" LG		485845	485845		
16	1	1/2" X 45° ELBOW		406685	406685		
17	1	1/2" X 10" LG. NIPPLE		543614	543614		
18	1	3/4" GARDEN HOSE		485505	485505		
19	1	1/2" X 3/8" RED COUPLING		377275	377275		
20	1	1/2" X 6 1/2" LG. STD. PIPE		566124	566124	THD. ONE END	
21	1	EASTMAN FITTING INSERT		429574	429574		
22	2	3/4" X 1/2" RED BUSHING		288753	288753		
23	5	1/2" X 1 1/2" LG. NIPPLE		543444	543444		
24	1	POLLAK SWITCH		673557	673557		
25	1	3/4" GARDEN HOSE		485505	485505		
26	1	3/4" GARDEN HOSE		485505	485505		
27	1	1/2" X 12" LG. STD. PIPE		565949	565949	THD. ONE END	
28	1	1/2" X 12" LG. NIPPLE		543716	543716	SEE NOTE 3	
29	8	1/4" - 20 NC X 1/2" LG. STOVE BOLTS		254549	254549	OVEN HD.	
30	8	1/4" - 20 NC. HEX. NUT		546052	546052		
31	8	1/4" LOCK WASHER		710302	710302		
32	1	3/8" B X CONNECTOR 90°		364168	364168		
33	16	1/4" - 1 TYREX CORD		371829	371829		
34	1	15 AMP. FUSE		453230	453230		
35	1	BLANK COVER		570103	570103		
36	1	FUSE HOLDER		575502	575502		

NO REQ'D	DWG. NO.	DESCRIPTION
1	136033	FLANGE (FOR CAT. D. 343T & TA ENGINES ONLY)

NOTE [1] - IMPORTANT
DO NOT USE EXCESSIVE FORCE IN APPLYING PIPE FITTING TO HEATER INLET & OUTLET. IF PIPE THREADS IN HEATER ARE OVERSIZE OR DEFECTIVE IN ANY WAY, RETURN HEATER TO VENDOR FOR CORRECTION.

NOTE [2]
FOR 12 VOLT APPLICATION SUBSTITUTE KYSOR 12 VOLT HEATER M.E.C. CODE NO. 480017 FOR ITEM 1.

NOTE [3]
WHEN GAS ENGINE WATER HEATER IS USED IN CONJUNCTION WITH CAB HEATER DELETE ITEM 27 & ADD ITEM 28. CONNECT ITEM 28 TO TEE ITEM 26 ON GAS WATER HEATER ASSEM. NO. 31135.

M.F.R.'S. RATING
48000 B.T.U.
525 C.F.M.

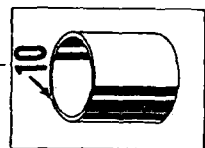
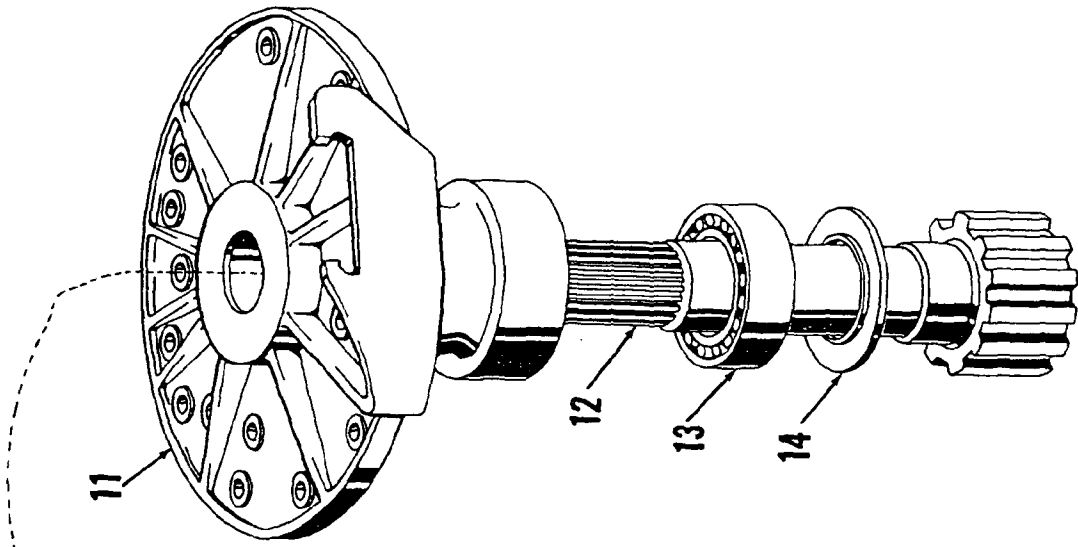
SUPERSEDES 33612
SUPERSEDED BY 48762 OF 6-16-70

SCALE 3" = 1'-0"	UNLESS NOTED FRAC. DIM. HOLE DIA. HOLE CENTERS WHICH	29284	MANITOWOC ENGINEERING CO. MANITOWOC, WISCONSIN	CAB HEATER ASSEMBLY	PATTERN NO.
DR. R.L.K.			MATERIAL 7K		CODE NO.
CR. L.M.P.					DWG. NO. 48762
APP.					REVISED DATE DATE 9-24-69

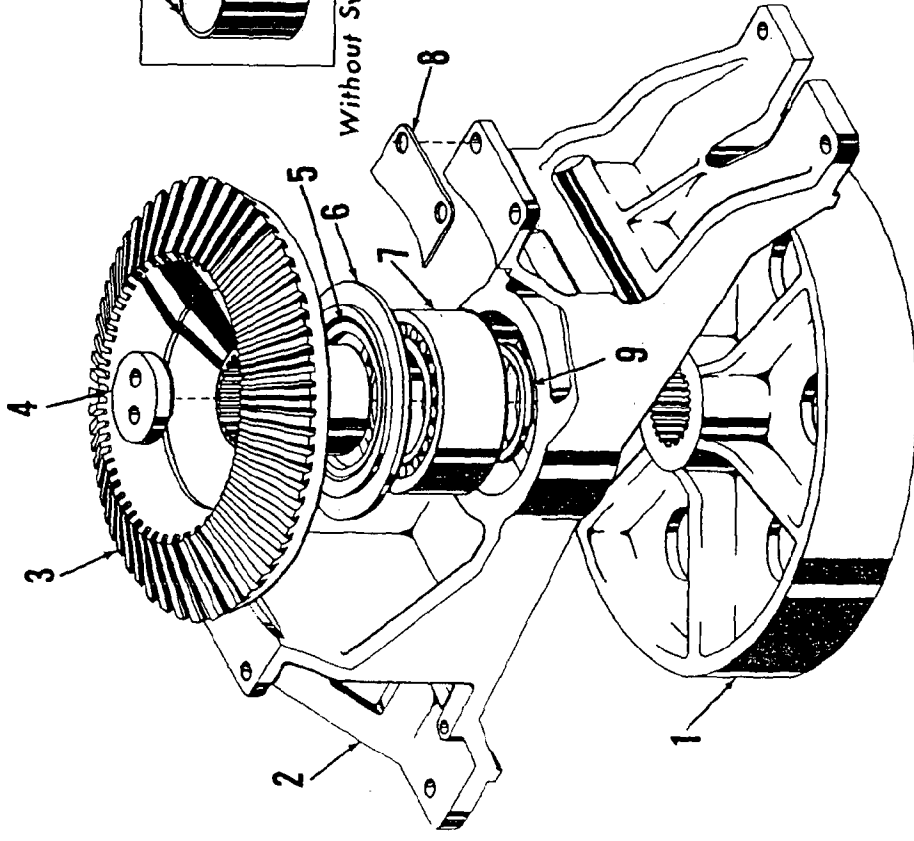
MANITOWOC ENGINEERING CO.

A Division of The Manitowoc Company, Inc.

Manitowoc, Wisconsin



Without Swing Brake

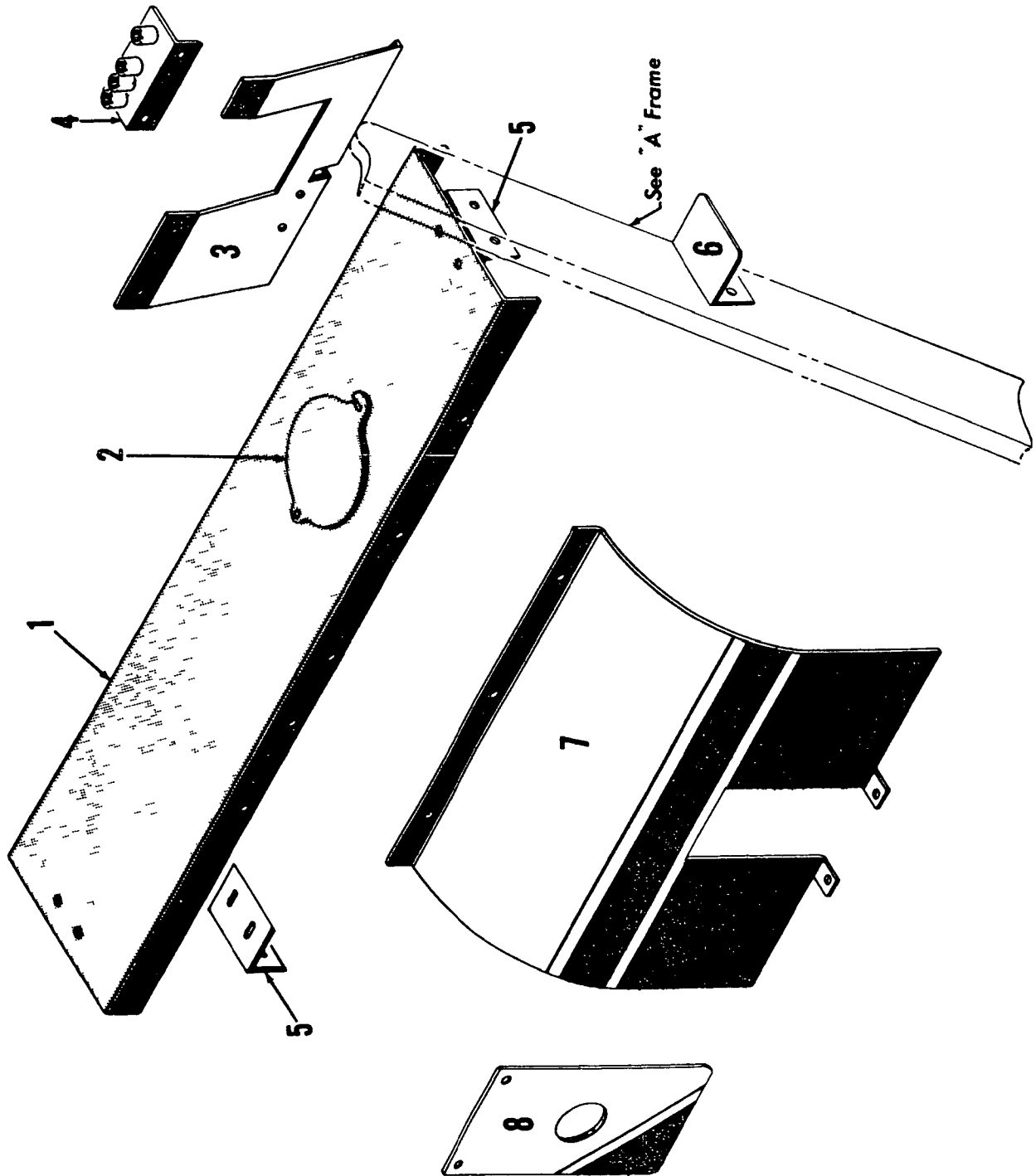


ILLUST. No. 23439-A-1

MATERIAL LIST ON BACK

VERTICAL DRIVE SHAFT

23439



MASTER

31574C1

31574C1

MATERIAL LIST ON BACK

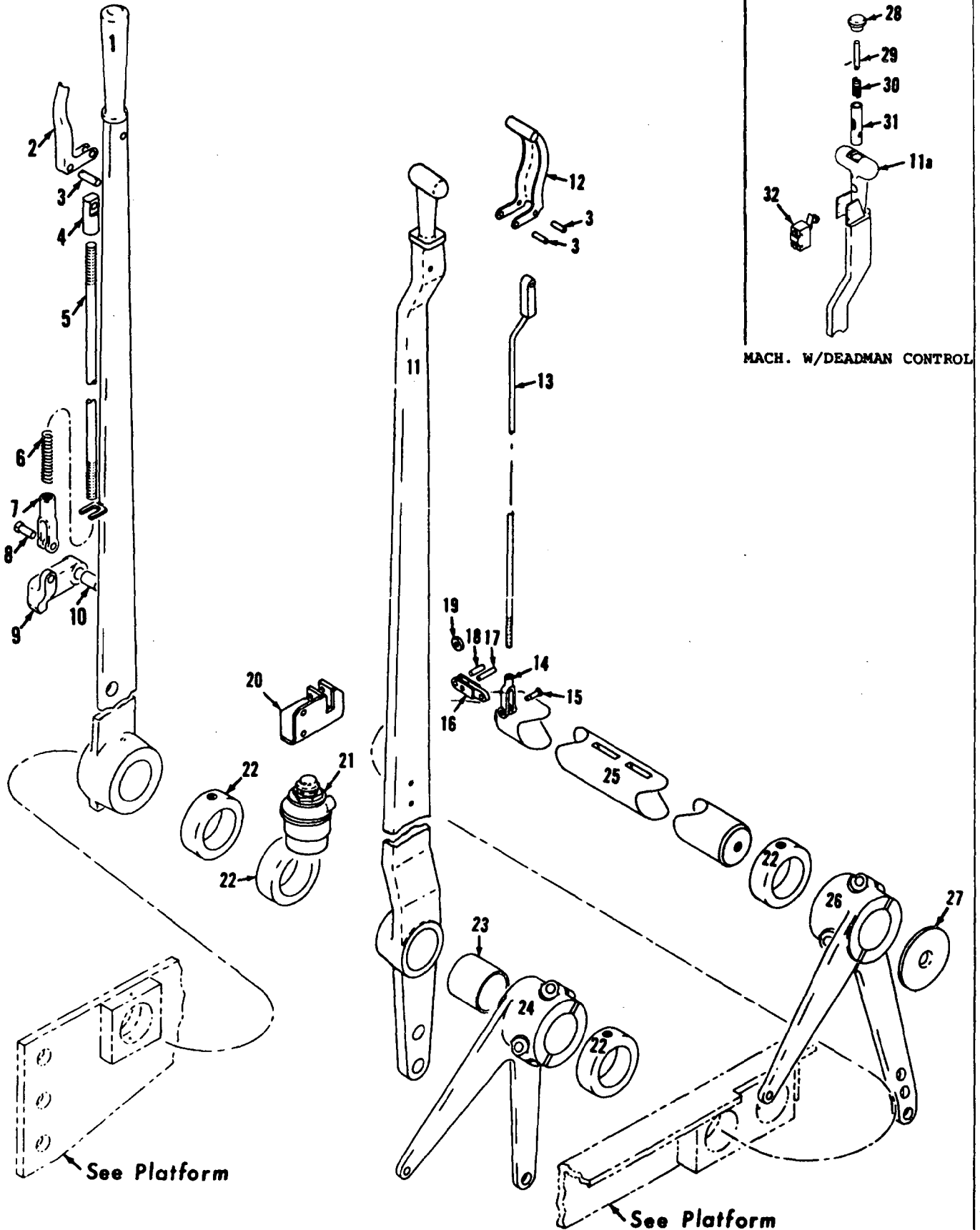
IND SWING GUARDS

MANITOWOC ENGINEERING CO.

A Division of The Manitowoc Company, Inc.

Manitowoc, Wisconsin

MASTER



MACH. W/DEADMAN CONTROL

See Platform

See Platform

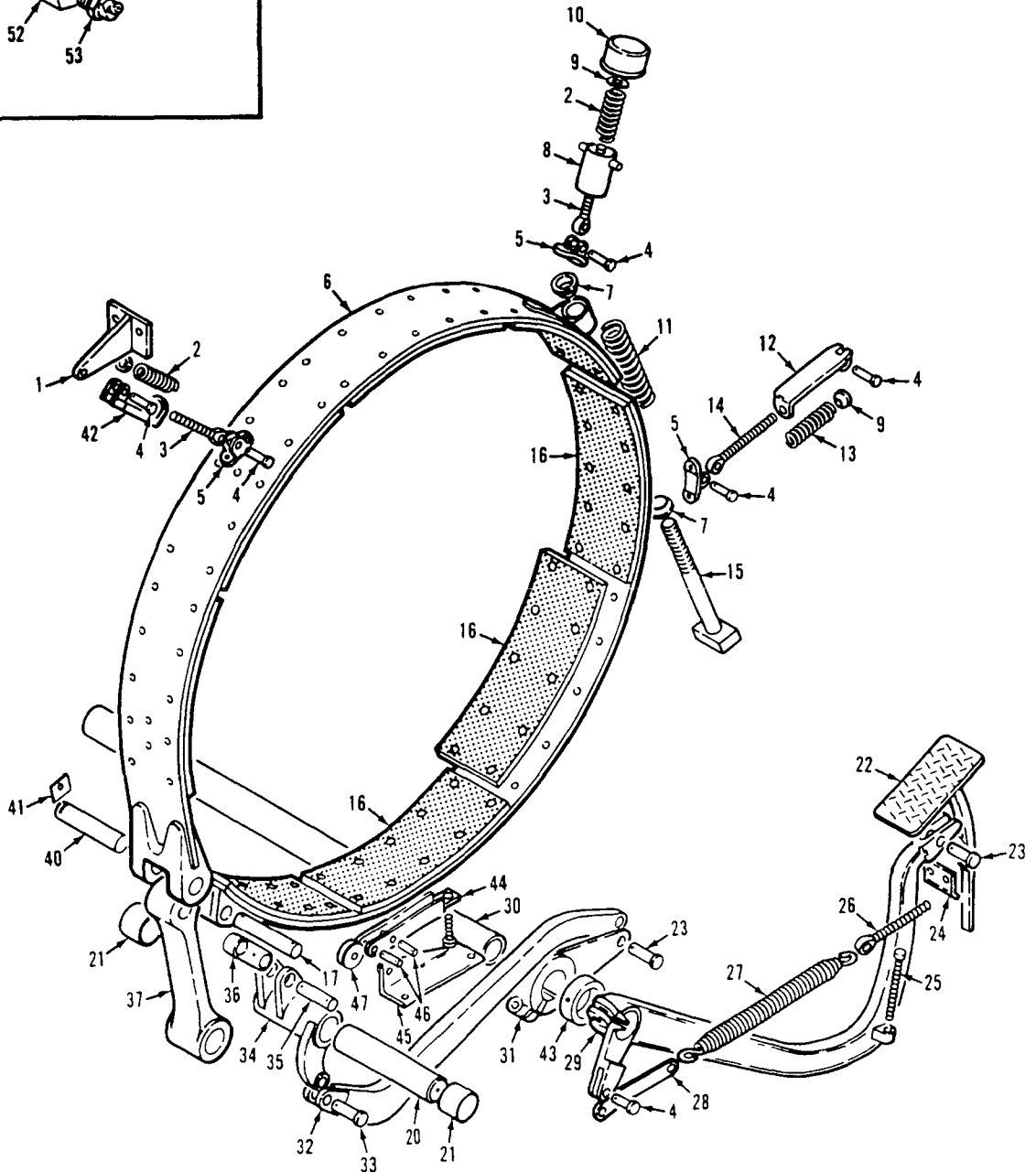
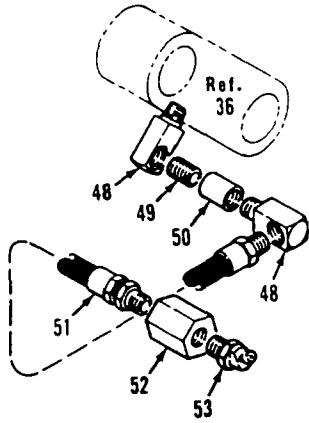
MATERIAL LIST ON BACK

HAND LEVERS

3279981

A Division of The Manitowoc Company, Inc.

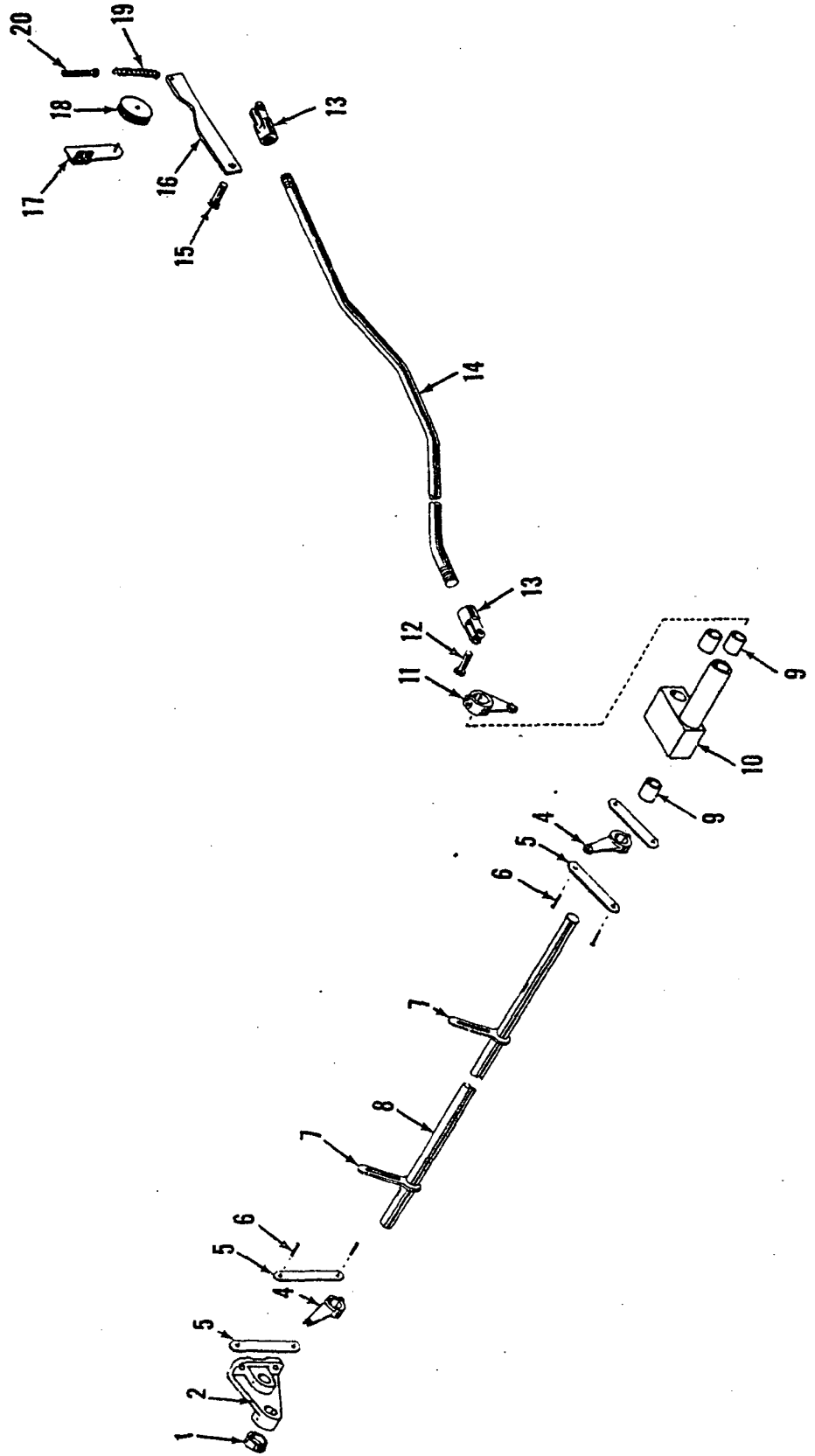
Manitowoc, Wisconsin



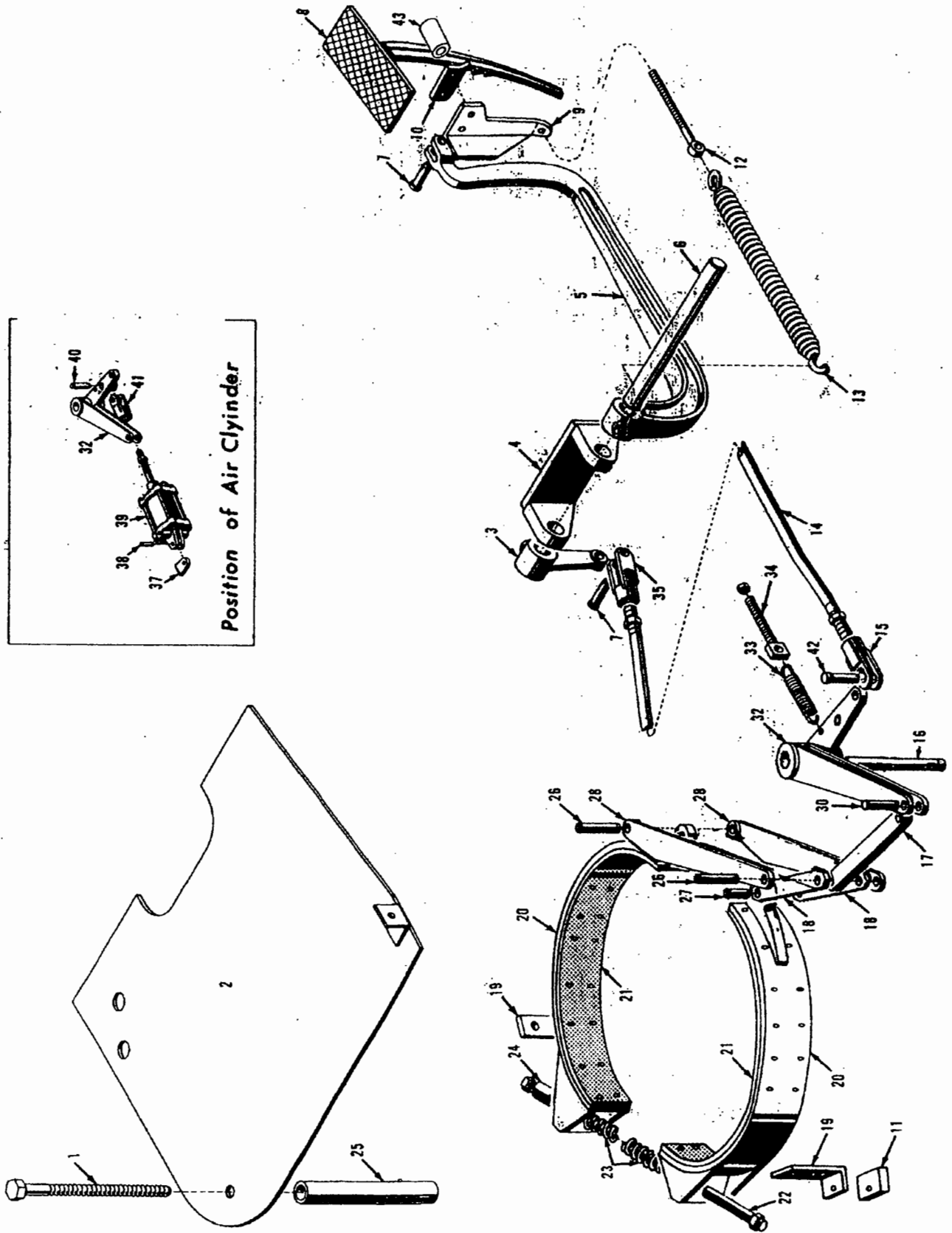
42183C1

MATERIAL LIST ON BACK

RIGHT DRUM BRAKE



MASTER



42394C1

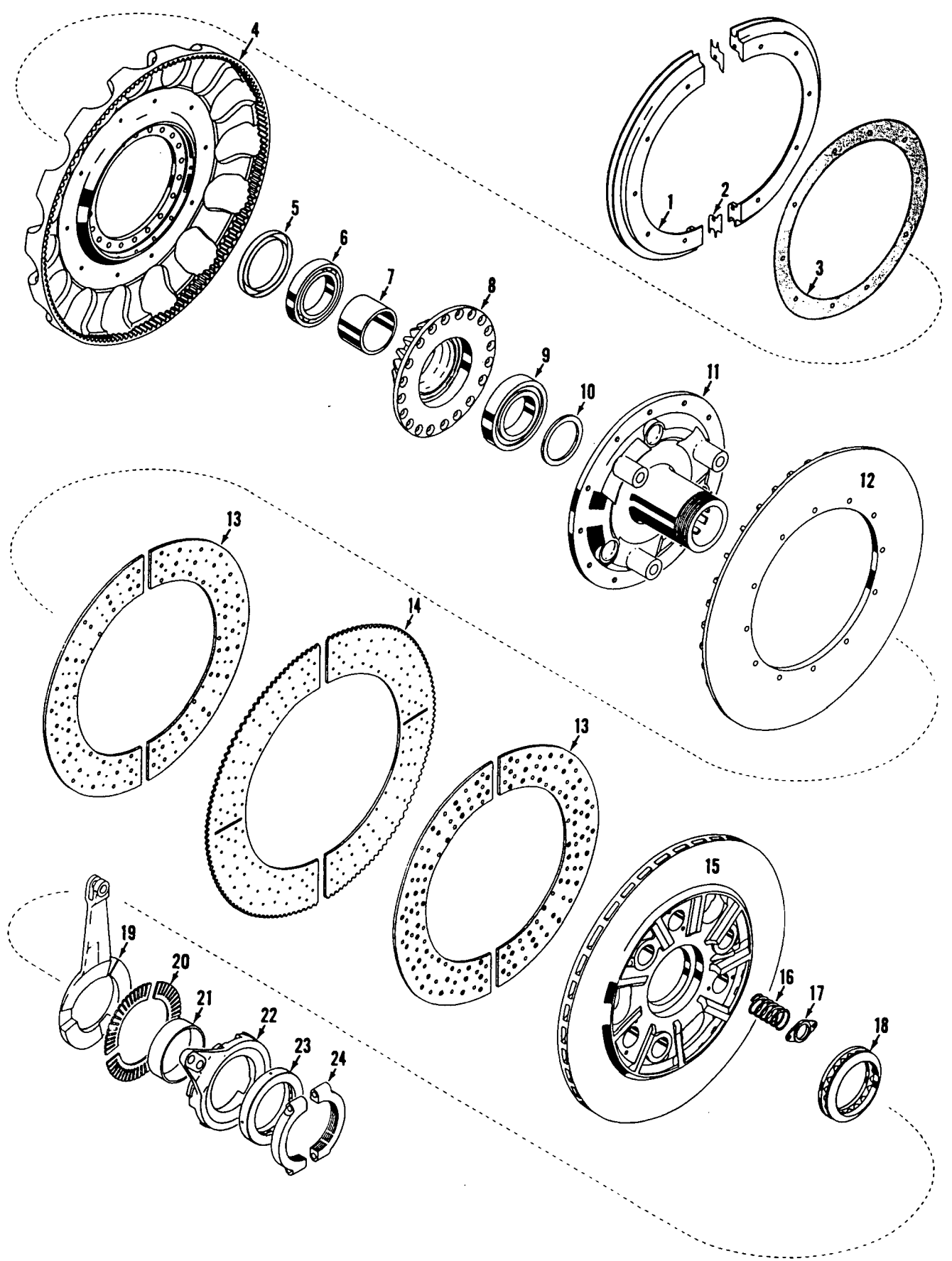
MATERIAL LIST ON BACK

SWING BRAKE

MANITOWOC ENGINEERING CO.

A Division of The Manitowoc Company, Inc.

Manitowoc, Wisconsin



43132A2

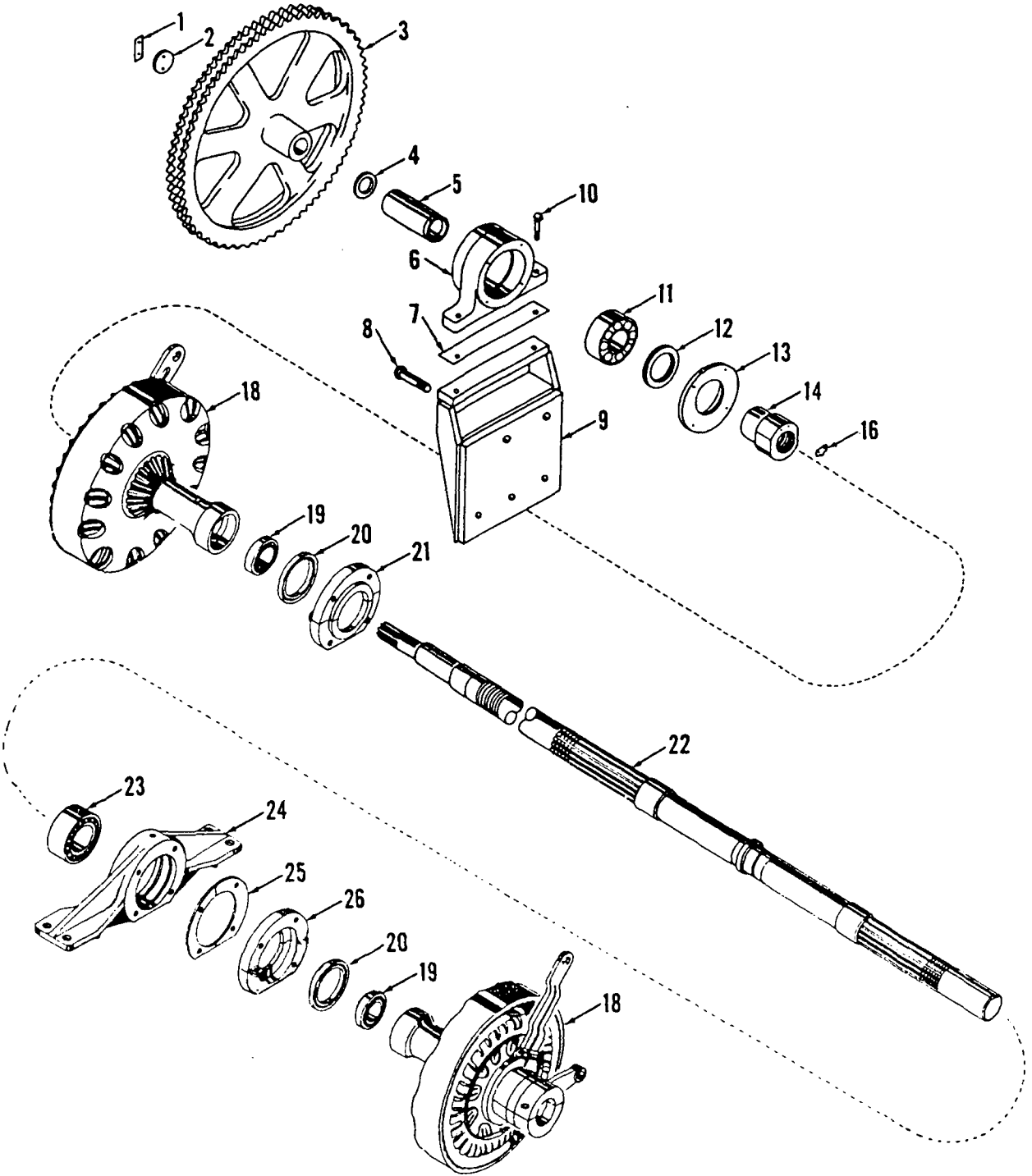
MATERIAL LIST ON BACK

MAIN DRIVE CLUTCH

MANITOWOC ENGINEERING CO.

A Division of The Manitowoc Company, Inc.

Manitowoc, Wisconsin



4289281

MATERIAL LIST ON BACK

IND. SWING HORIZONTAL DRIVE SHAFT

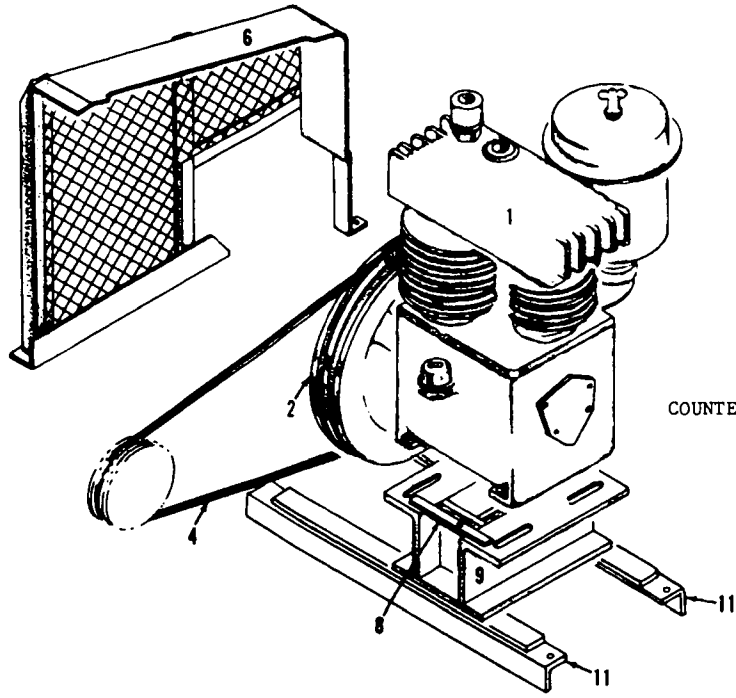
PARTS MANUAL ALPHABETICAL INDEX
Group C - Air Components & Electrical

DESCRIPTION	PUBLICATION	REV	START DATE	END DATE	GROUP
Air Piping	78327	A1	02/15/67	11/12/76	C0301
Boom & Mast Lighting	31117	C1	07/14/57	03/14/69	C1201
Cab Lighting	31116	F1	07/14/57	10/14/81	C1301
Compressor & Piping	42013	B1	03/01/56	06/13/75	C0101
Compressor & Piping	42013	C3	03/01/56	06/13/75	C0101
Compressor & Piping	42530	D1	03/08/60	06/05/75	C0101
Control Console	42953	E1	10/12/62	11/01/68	C0201
Light Plant - Alternator - Generator	180468	B1	06/21/68	08/30/72	C1101

MANITOWOC ENGINEERING CO.

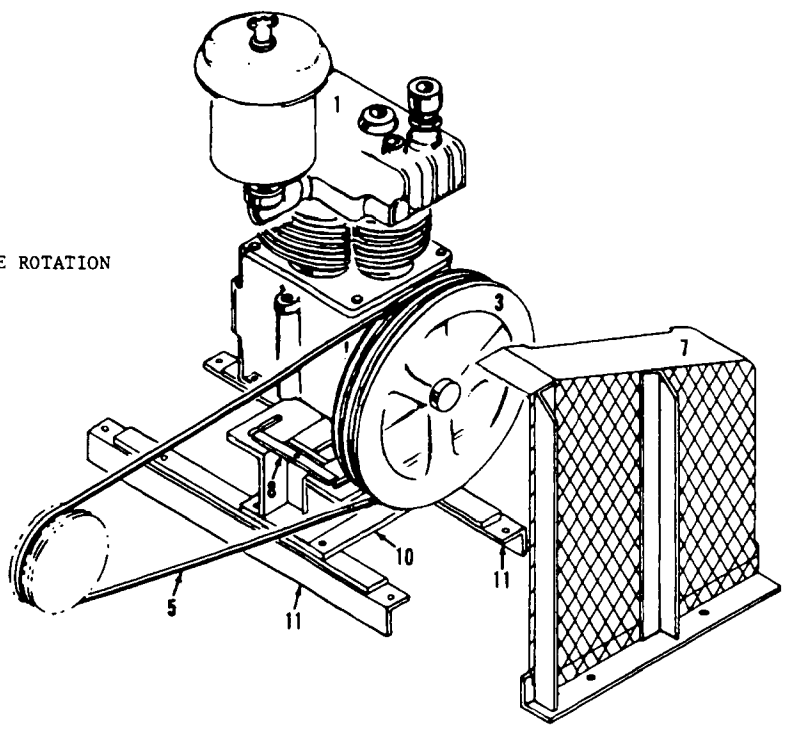
A Division of The Manitowoc Company, Inc.

Manitowoc, Wisconsin



COUNTERCLOCKWISE ROTATION

CLOCKWISE ROTATION



42330A1

MATERIAL LIST ON BACK

COMPRESSOR

GROUP D - Power Components

MODEL

3000W-3600-3900-3900W-3950W-3950D-4000W-4100W

TRANSMISSION CASE (VICON MACHINE)

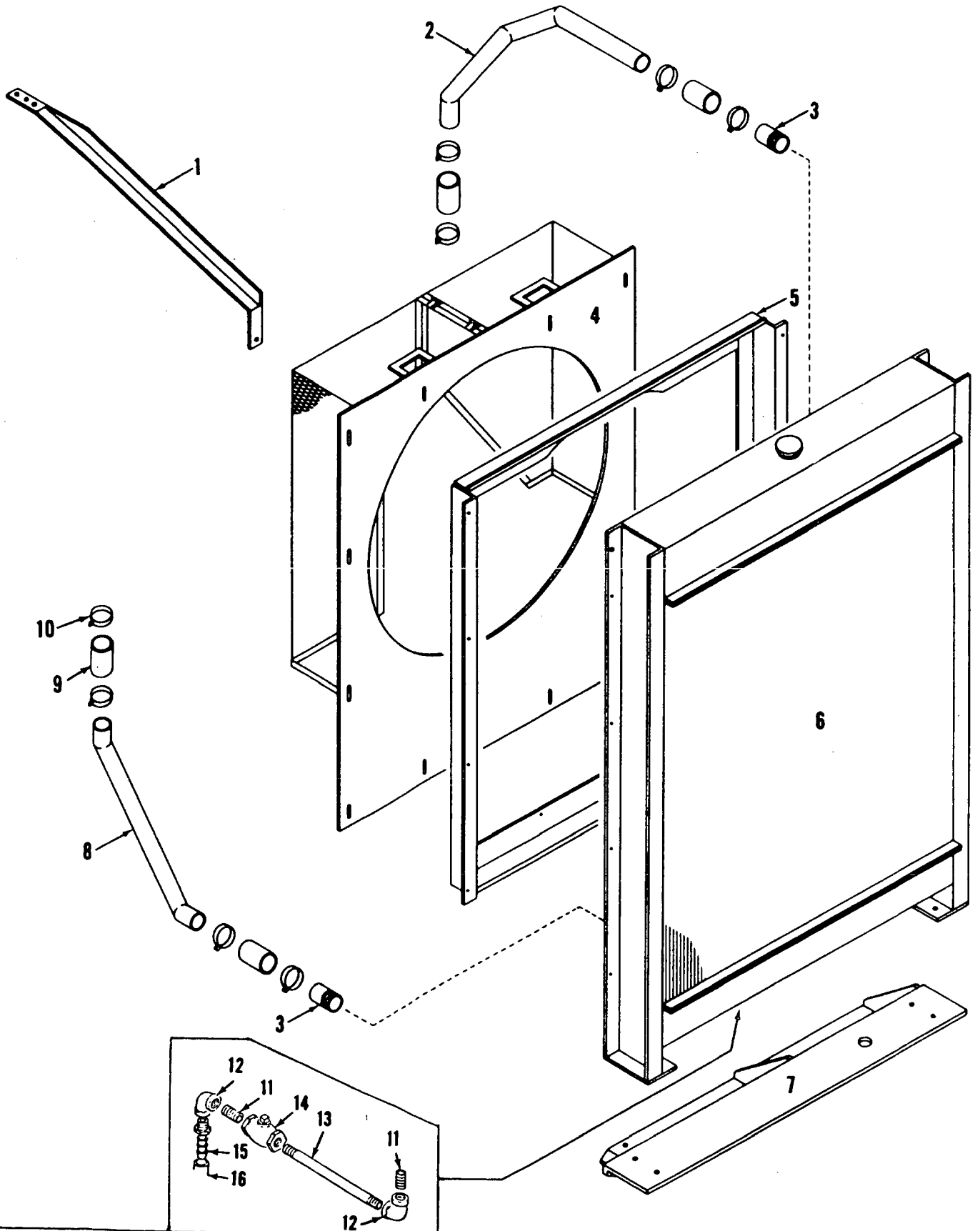
ITEM	PART #	QTY.	DESCRIPTION OF PART			
26	352022	1	<p><u>Note 3</u> For machines with electric drive, delete Ref. #26-27 above and add:</p> <p>SPIDER, Drive</p>			
27	352021	1	RING, Drive			
	352715	26	BLOCK, Rubber (not shown)			
			<p><u>Note 4</u> Clean splines of shafts and sprockets thoroughly with Loctite Safety Solvent (MEC 622296). Apply Loctite Retaining Compound #620 (MEC 622285) to engine shaft and converter input shafts. Allow to cure 24 hours.</p>			
			<p style="text-align: center;">PLEASE GIVE MACHINE SERIAL NUMBER WITH ORDER</p> <table border="1" style="width: 100%; border-collapse: collapse;"> <tr> <td style="width: 33%; text-align: center;">ASSEMBLY 42749</td> <td style="width: 33%; text-align: center;">PAGE 3 of 3</td> <td style="width: 33%; text-align: center;">REV. P-1</td> </tr> </table>	ASSEMBLY 42749	PAGE 3 of 3	REV. P-1
ASSEMBLY 42749	PAGE 3 of 3	REV. P-1				

MANITOWOC ENGINEERING CO.

A Division of The Manitowoc Company, Inc.

Manitowoc, Wisconsin

MASTER



4323383

43233 83

MATERIAL LIST ON BACK

RADIATOR

CLICK HERE TO **DOWNLOAD** THE COMPLETE MANUAL

- Thank you very much for reading the preview of the manual.
- You can download the complete manual from: www.heydownloads.com by clicking the link below



- Please note: If there is no response to CLICKING the link, please download this PDF first and then click on it.

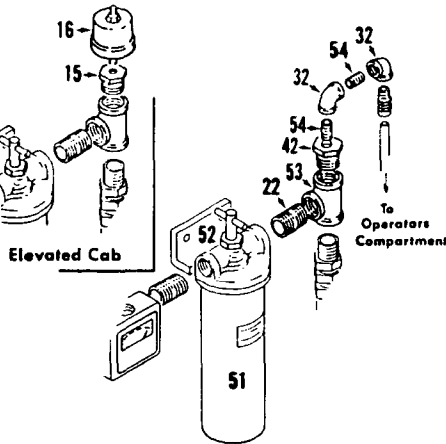
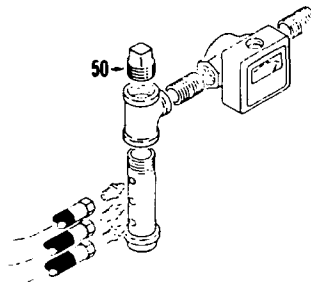
CLICK HERE TO **DOWNLOAD** THE COMPLETE MANUAL

MANITOWOC ENGINEERING CO.

A Division of The Manitowoc Company, Inc.

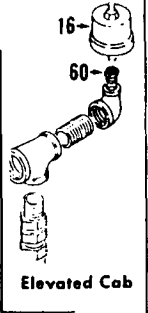
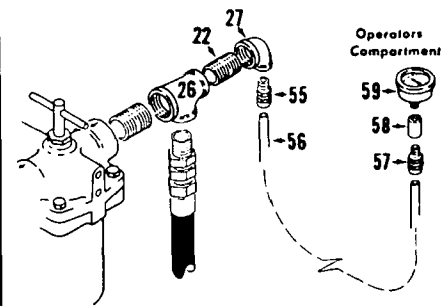
Manitowoc, Wisconsin

Machines w/out Forced Oil Lubrication to Converters



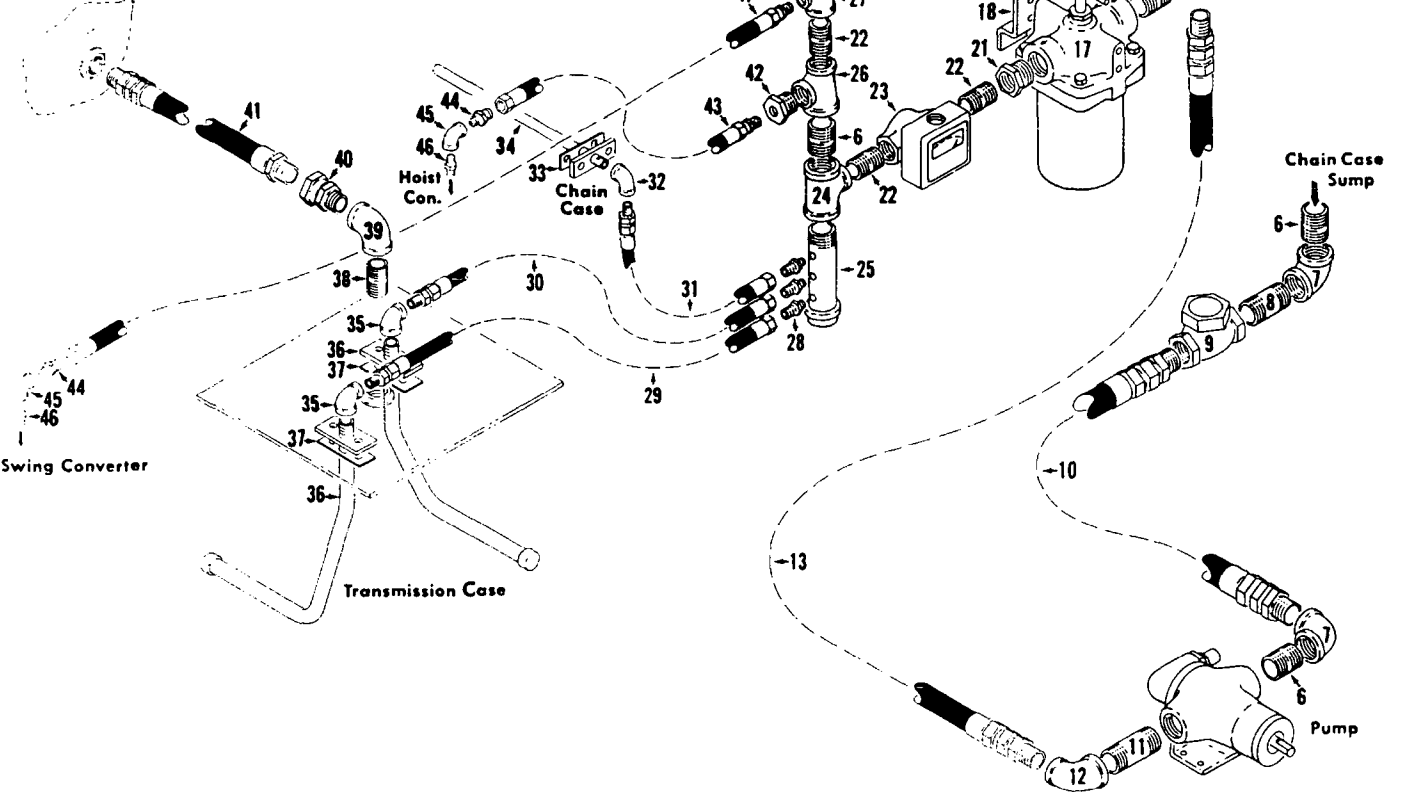
3/4" Port Filter with Direct Reading Gauge

1" Port Filter with Direct Reading Gauge



Elevated Cab

Chain Case



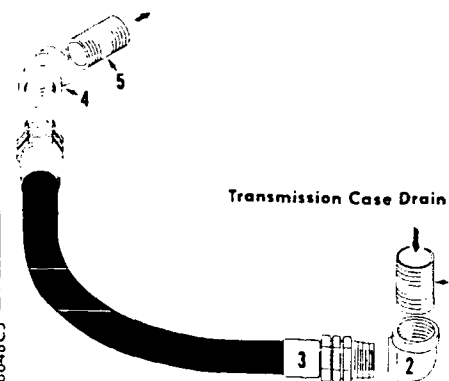
Swing Converter

Transmission Case

Chain Case Sump

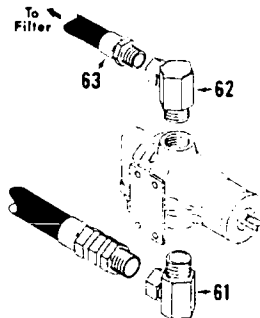
Pump

Chain Case

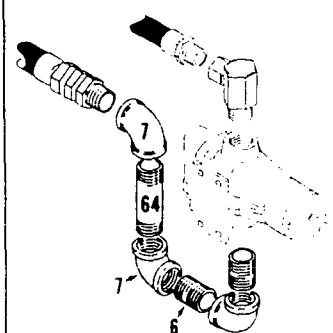


Transmission Case Drain

Machines with Vertically Mounted Oil Pump



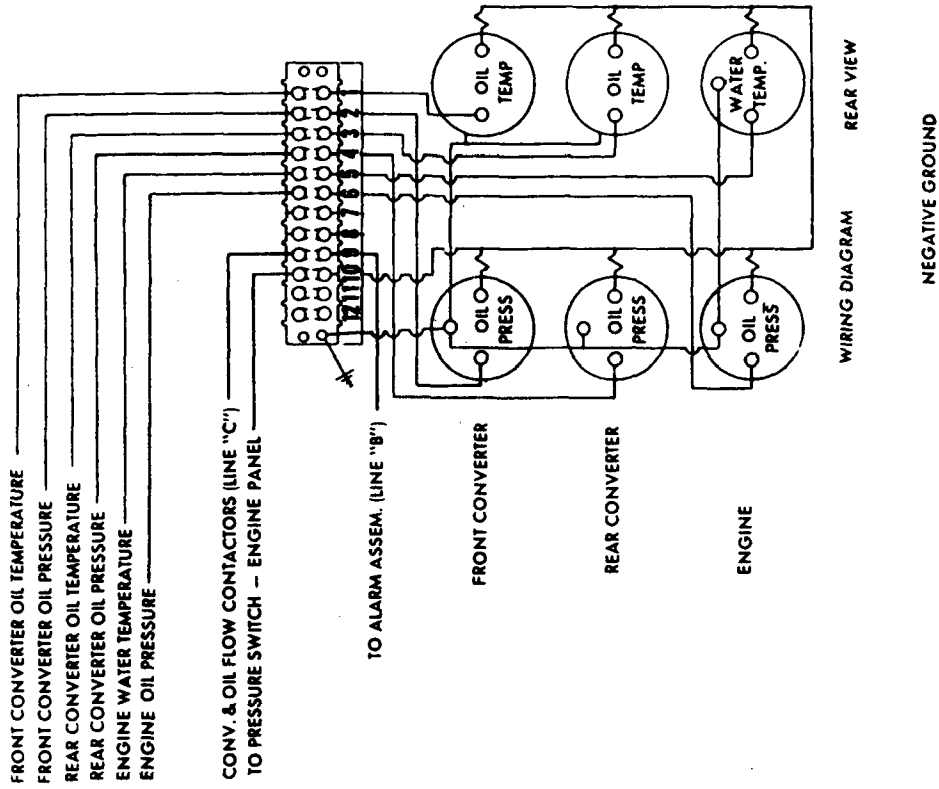
Machines with Vertically Mounted Oil Pump w/Oil Trap



MATERIAL LIST ON BACK

LUBRICATION PIPING

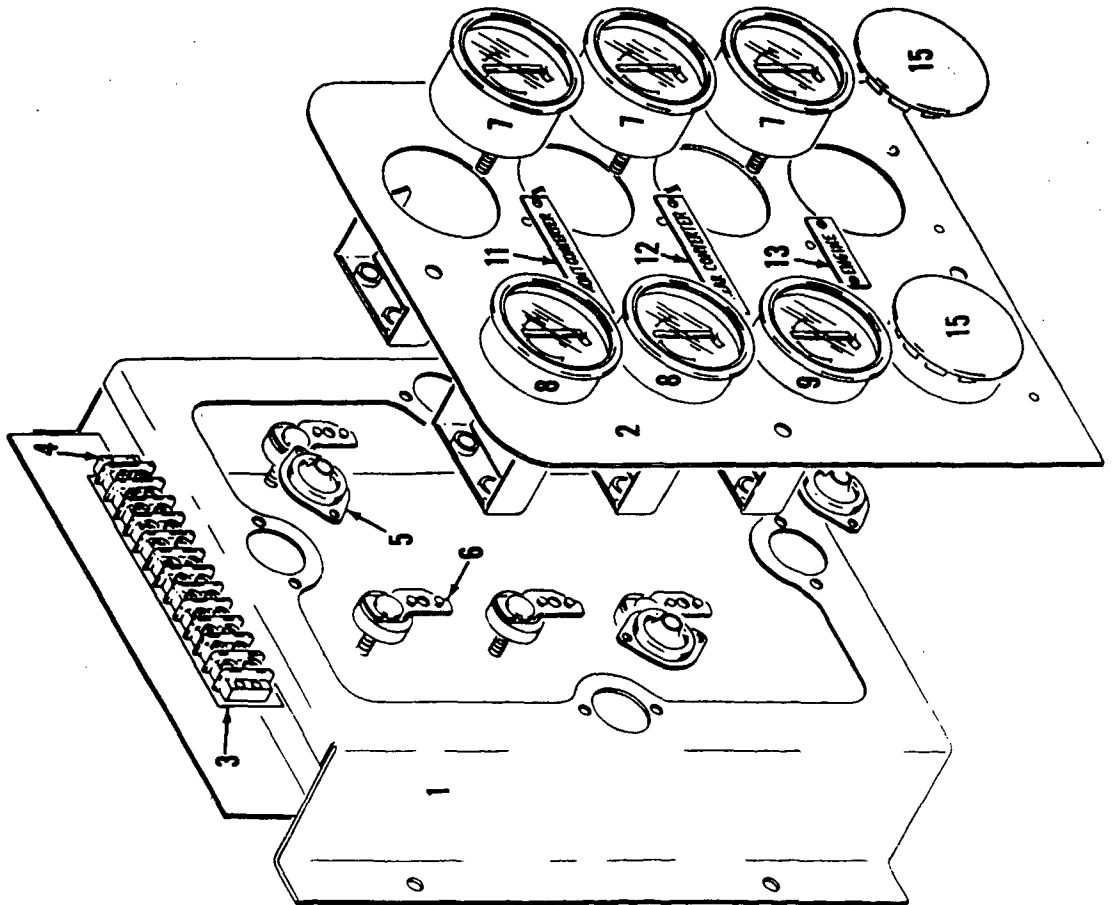
48648C5



REAR VIEW

WIRING DIAGRAM

NEGATIVE GROUND

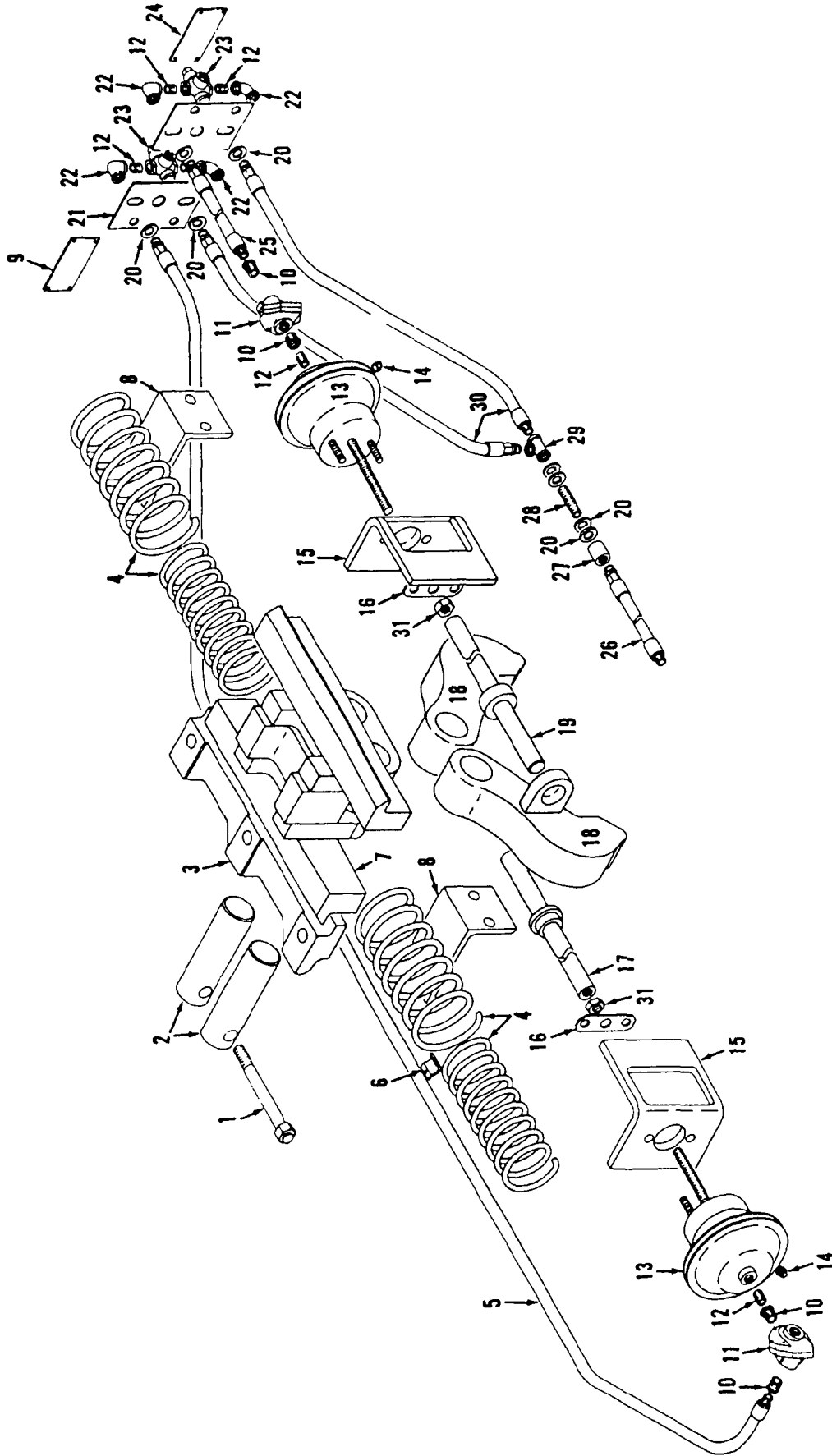


92856A1

MATERIAL LIST ON BACK

INSTRUMENT PANEL

MASTER



MATERIAL LIST ON BACK

TRAVEL LOCK

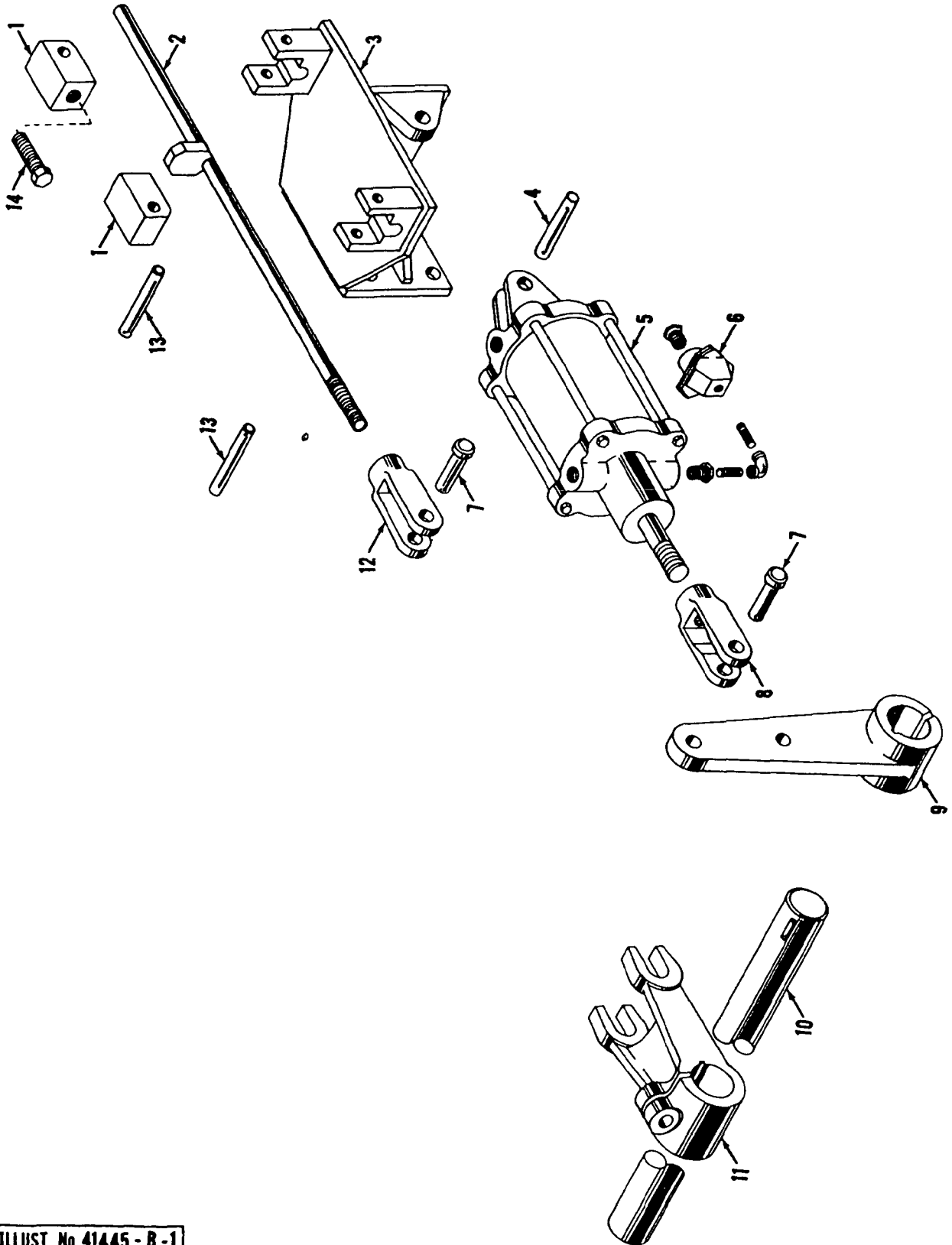
31743-1 Back

50796A1

MANITOWOC ENGINEERING CO

A Division of The Manitowoc Company Inc.

Manitowoc, Wisconsin



MASTER

Back

ILLUST No 41445-B-1

MATERIAL LIST ON BACK

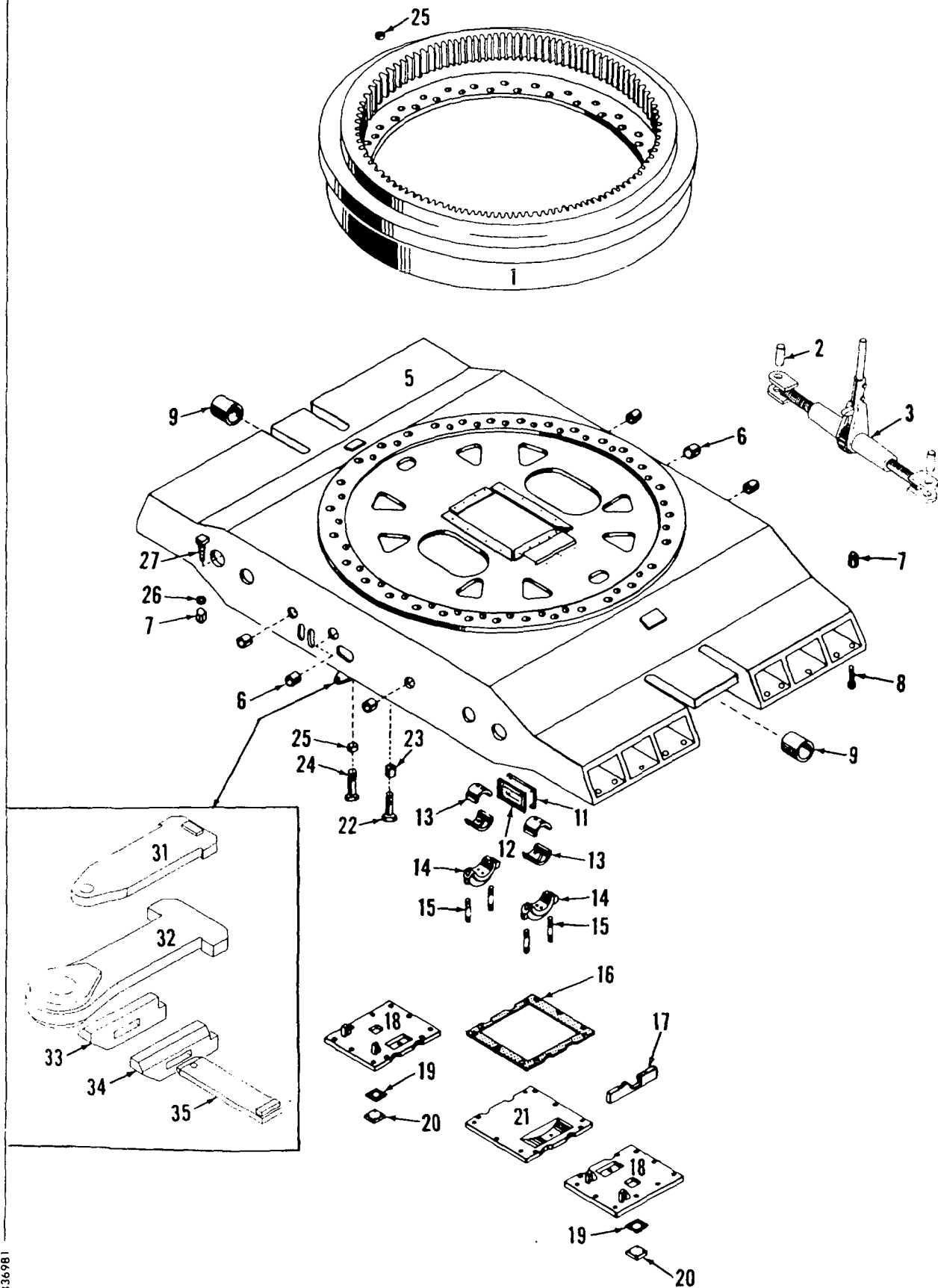
STEERING CONTROL ASSEMBLY - ROTATING BED

17 20
se 42

MANITOWOC ENGINEERING CO.

A Division of the Manitowoc Company, Inc.

Manitowoc, Wisconsin



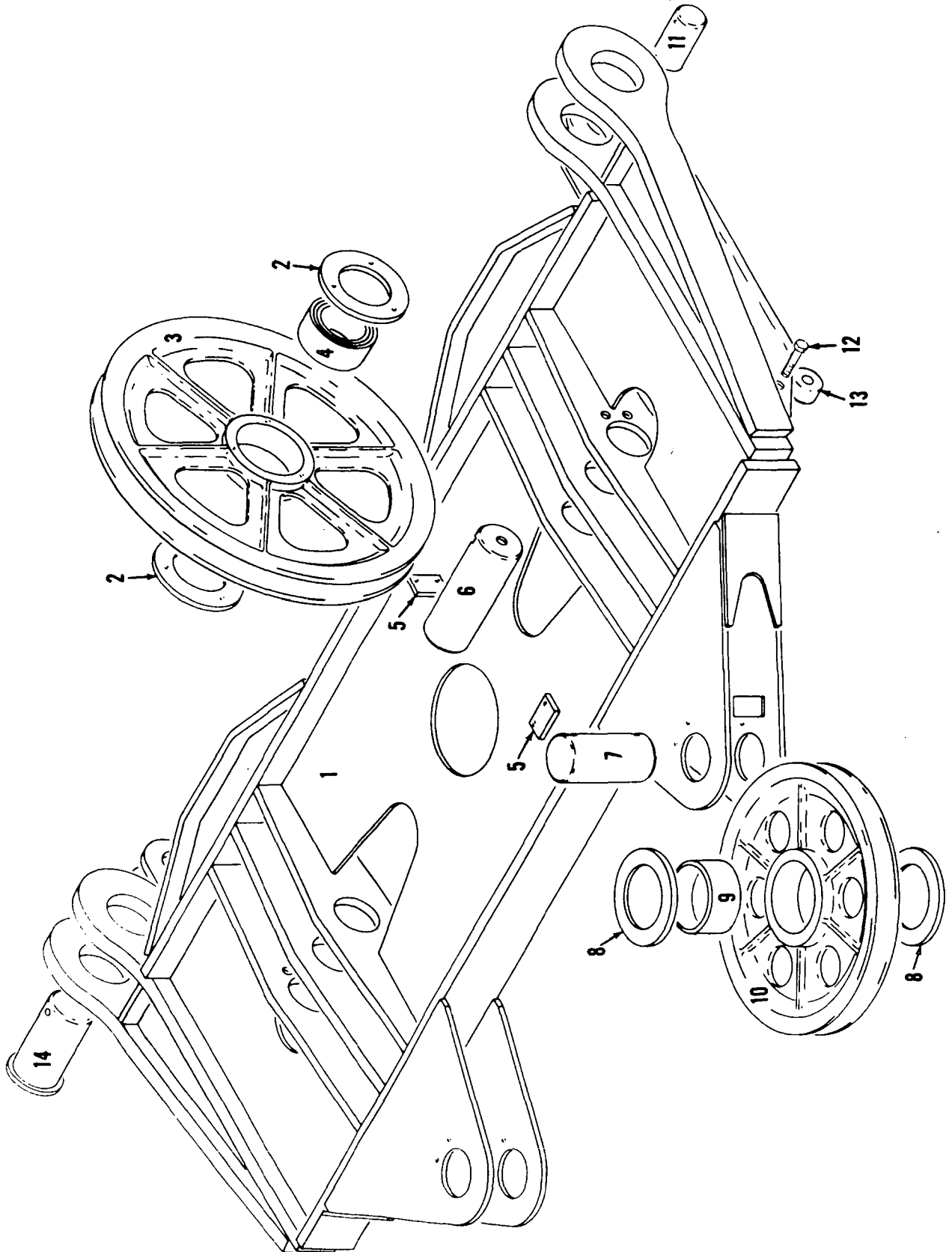
4336981

MATERIAL LIST ON BACK

CARBODY

PARTS MANUAL ALPHABETICAL INDEX
Group F - Attachments

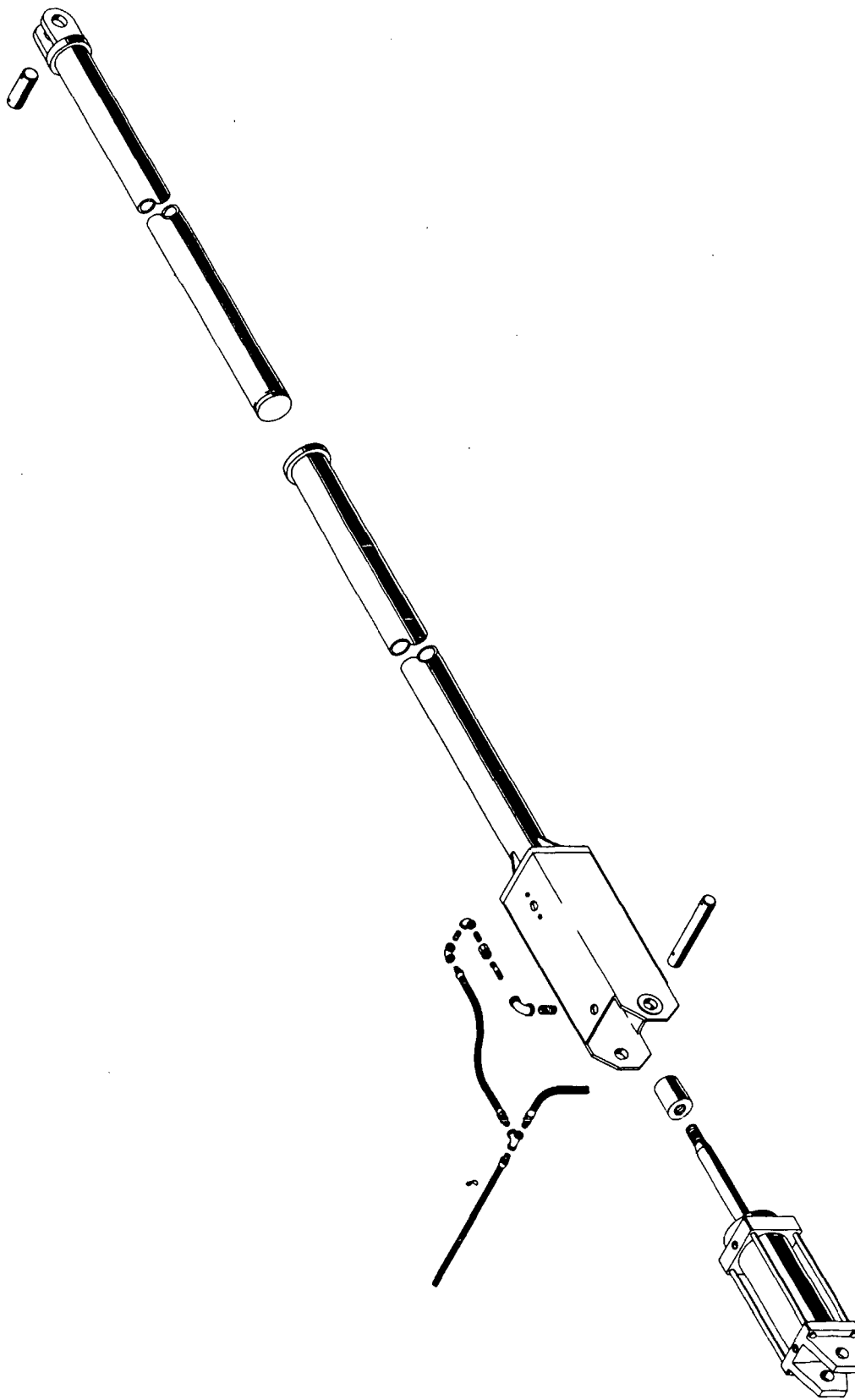
DESCRIPTION	PUBLICATION	REV	START DATE	END DATE	GROUP
Backhitch & Gantry	48177	C1	10/25/68	07/24/70	F1001
Boom	48877	A1	12/18/69	12/14/84	F0101
Boom	48877	A2	12/18/69	12/14/84	F0101
Boom	48877	B3	12/18/69	12/14/84	F0101
Boom	48877	B4	12/18/69	12/14/84	F0101
Boom Angle Indicator	22334	B1	01/07/52	09/20/85	F1101
Boom Point	90432	A1	02/28/64	04/30/83	F0401
Boom Point	90513	B1	07/23/64	03/13/78	F0401
Boom Stop, Clutch Throw-Out	48222	A1	04/18/68	04/30/80	F0201
Boom Stop, Mechanical	48197	A1	11/10/67	03/16/70	F0202
Equalizer/Pull-Out	33761	C1	07/22/66	05/25/70	F0601
Gantry Lifting Device	33750	A1	07/18/67		F1002
Gantry Lifting Device	33898	-	07/18/67	04/09/70	F1002
Guard Rollers On "A" Frame	180932	A1	08/20/69	07/16/70	F0901
Hook & Weight Ball	75345	C1	03/03/63	03/06/73	F1401
Jib	43730	-	10/07/65	02/25/98	F1301
Jib Backstay	48659	D1	04/22/69	09/18/84	F1302
Upper Block - Anchor Joint	90210	E1	08/12/63	12/28/66	F1601
Wire Rope Guide	32866	C1	08/13/63	10/26/76	F0701
Wire Rope Guide	33686	A1	03/10/66	08/07/68	F0701
Wire Rope Guide	77436	-	02/01/66	11/27/68	F0701
Wire Rope Roller Guide	73833	D1	10/31/62	09/13/79	F0801
Wire Rope Roller Guide	91142	-	11/11/65	04/23/82	F0801



MANITOWOC ENGINEERING CO.

A Division of The Manitowoc Company, Inc.

Manitowoc, Wisconsin



H8197-A-1

42680-B-1

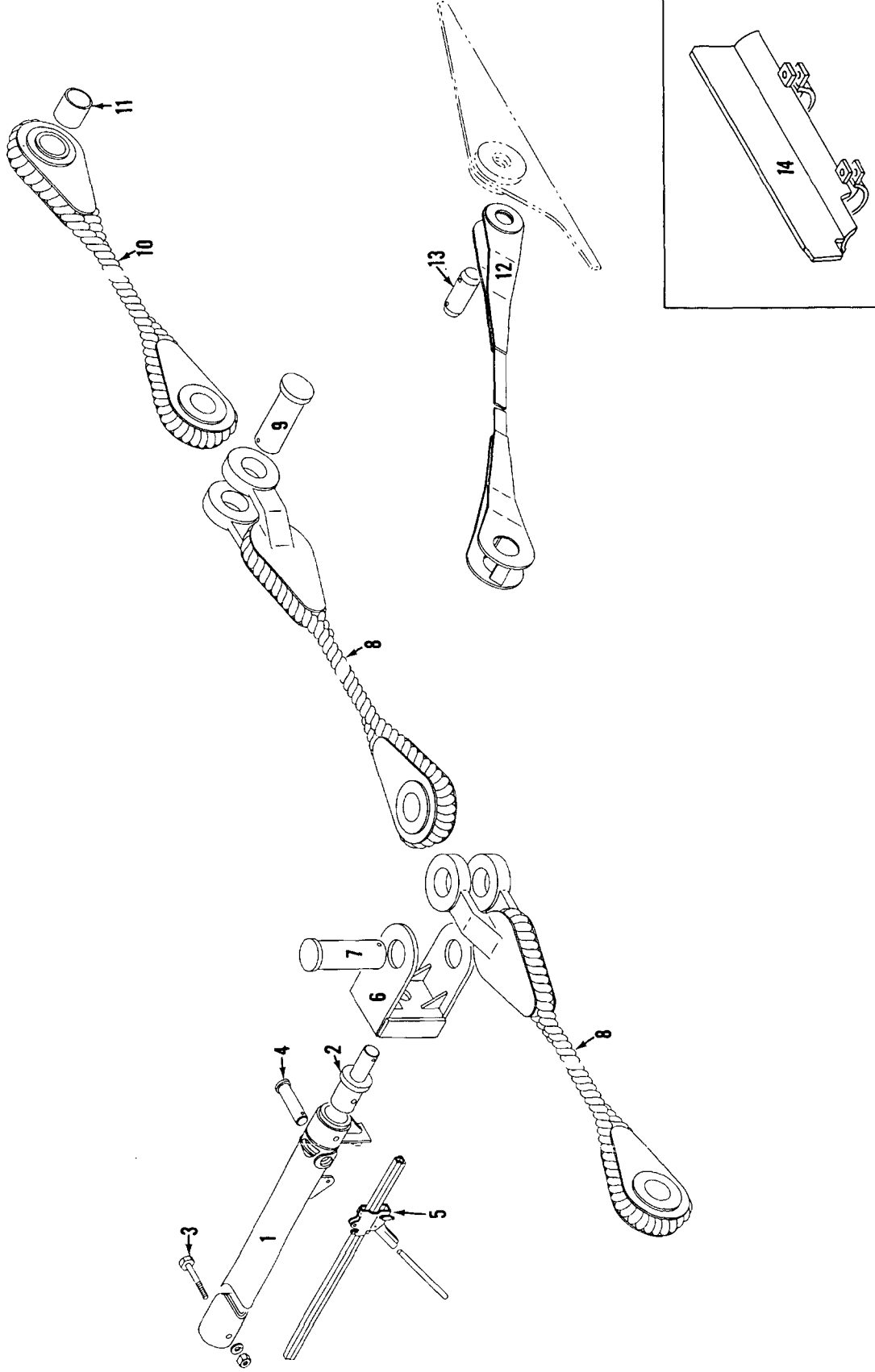
MATERIAL LIST ON BACK

TELESCOPIC AIR CUSHIONED BOOM STOP ASSEMBLY

MANITOWOC ENGINEERING CO.

A Division of The Manitowoc Company, Inc.

Manitowoc, Wisconsin



4822783

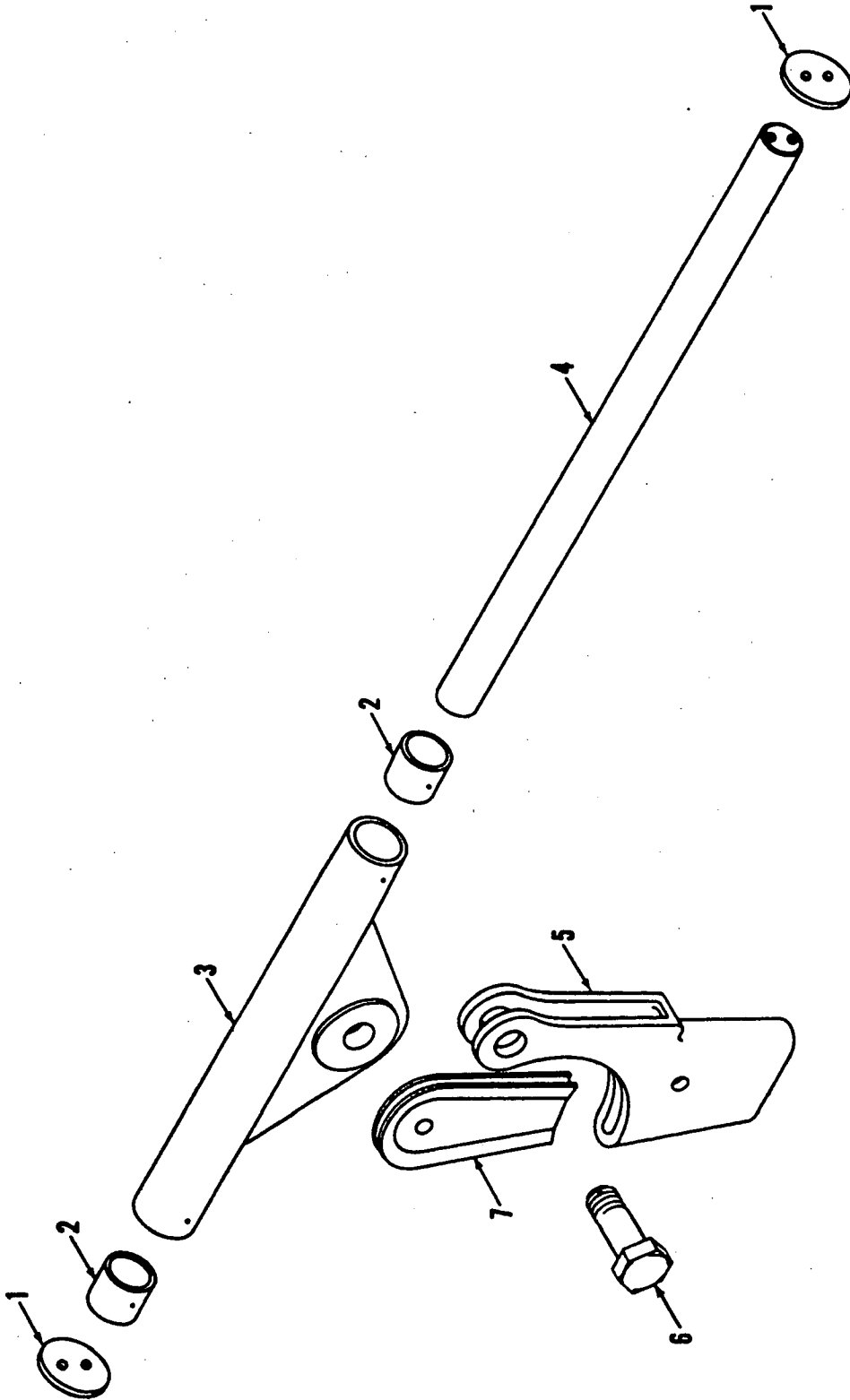
MATERIAL LIST ON BACK

PENDANTS AND SPREADER

MANITOWOC ENGINEERING CO.

A Division of The Manitowoc Company, Inc.

Manitowoc, Wisconsin



MASTER

90210A1

90210A1

MATERIAL LIST ON BACK

ANCHOR JOINT ASSEMBLY

O-Number

MANITOWOC ENGINEERING CO.

Division of The Manitowoc Company, Inc.

Manitowoc, Wisconsin 54220



TUBING (soft copper)

Code No.	Tube O.D.
696205	3/16
696210	1/4
696214	5/16
696216	3/8
696218	1/2
696219	5/8
696220	3/4



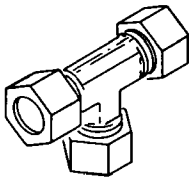
NUT

Code No.	Tube O.D.
424603	3/8
424604	1/2
424605	3/4
424633	5/16
424634	1/4
424635	3/16



FERRULE

Code No.	Tube O.D.
424600	1/4
424601	3/4
424602	3/8
424616	5/16
424617	1/2
424618	1/8
424619	3/16



UNION TEE

Code No.	Tube O.D.
429315	1/4
429316	3/8
429317	5/16



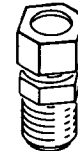
UNION

Code No.	Tube O.D.
429349	3/8
429361	1/4
429362	1/2
429397	5/16



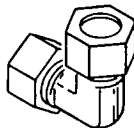
FEMALE CONNECTOR

Code No.	Tube O.D.	Pipe Thread
429312	3/16	1/8
429407	1/4	1/8
429830	1/4	1/4



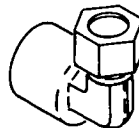
MALE CONNECTOR

Code No.	Tube O.D.	Pipe Thread
429324	3/4	3/4
429328	3/8	1/2
429351	5/16	1/8
429358	1/2	3/4
429359	1/2	3/8
429363	1/4	1/8
429364	1/4	1/4
429365	3/16	1/8
429366	3/8	1/8
429367	3/8	1/4
429368	3/8	3/8



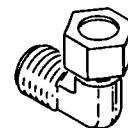
UNION ELBOW

Code No.	Tube O.D.
429372	3/8
429378	1/2
429381	1/4



FEMALE ELBOW

Code No.	Tube O.D.	Pipe Thread
429066	1/4	1/8
429825	1/4	1/4



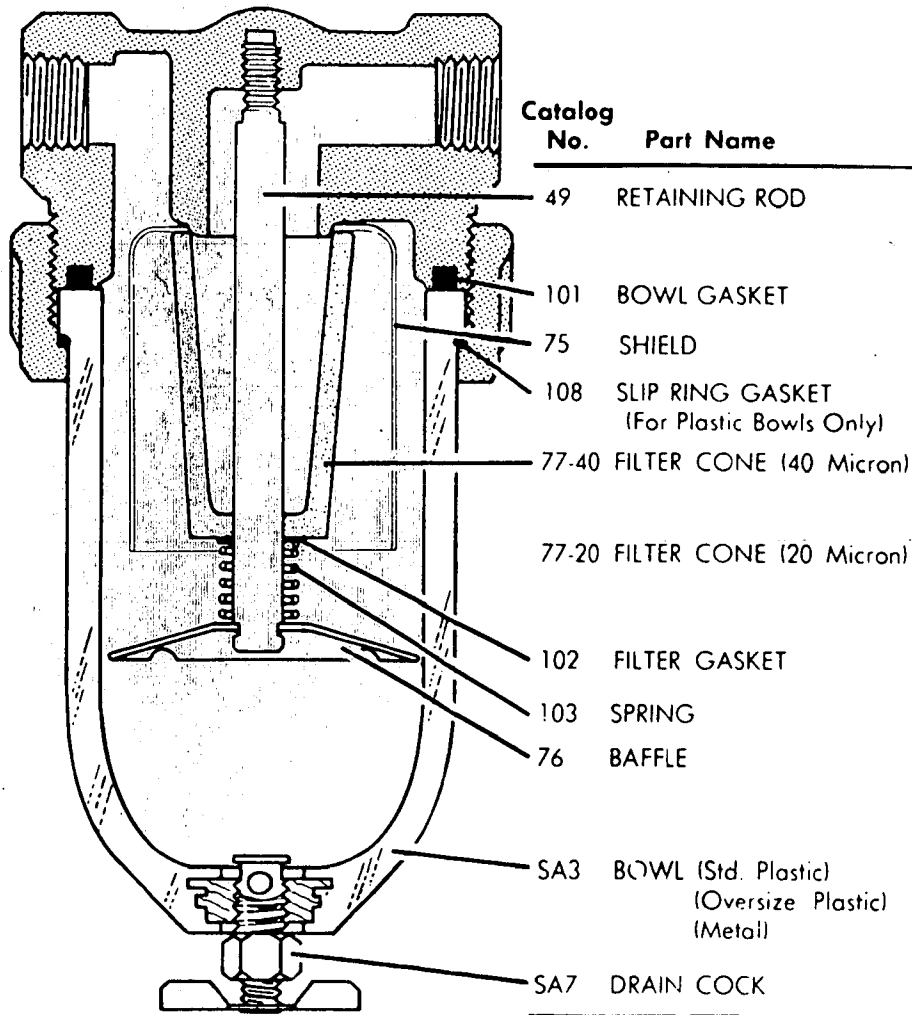
MALE ELBOW

Code No.	Tube O.D.	Pipe Thread
429371	1/2	1/2
429373	3/8	1/8
429374	1/4	1/4
429375	3/8	1/4
429376	1/2	3/8
429380	1/4	1/8
429384	3/8	1/2
429385	5/16	1/8
429386	3/16	1/8
429401	1/2	3/4
429422	3/8	3/8
429453	3/4	3/4

REPLACEMENT PARTS

Watts Air Line Filter Series 602 & 603

IMPORTANT: When ordering parts, be sure to give pipe size of filter; catalog number and name of part; type, model and serial number found on body casting.



INDUSTRIAL DIVISION

WATTS REGULATOR COMPANY

Lawrence, Massachusetts

0-176

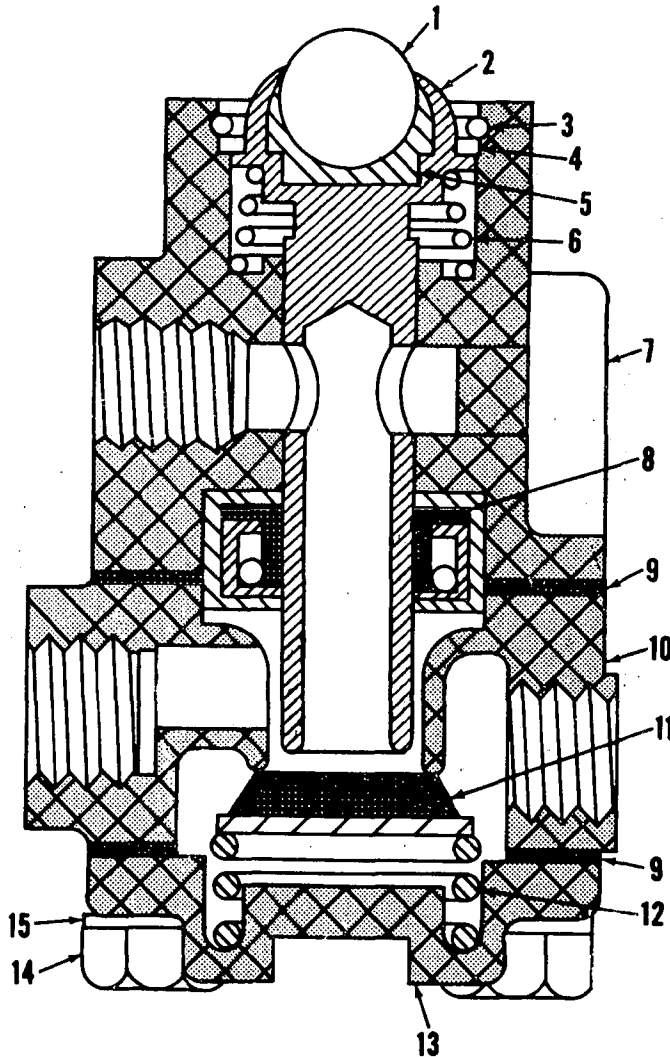
211-1

MANITOWOC ENGINEERING CO.

A Division of The Manitowoc Company, Inc.

Manitowoc, Wisconsin

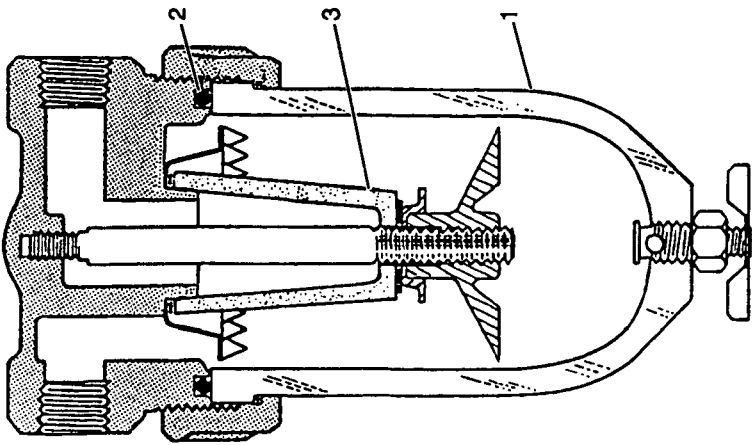
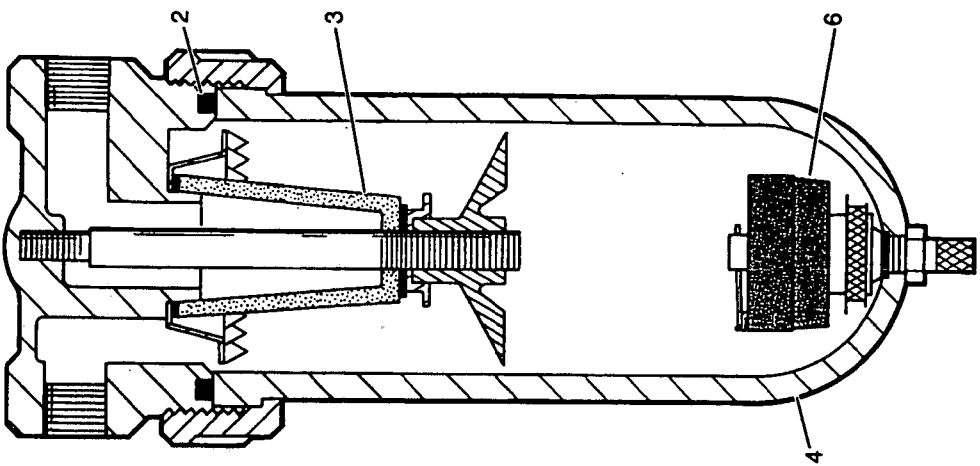
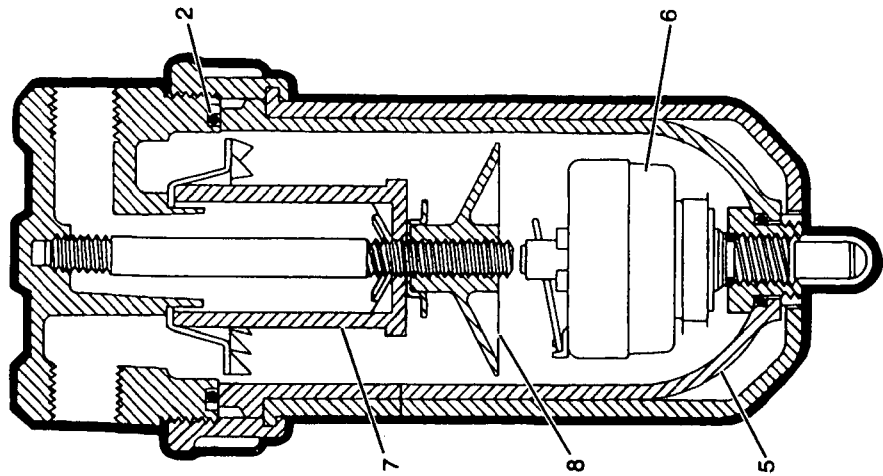
MASTER



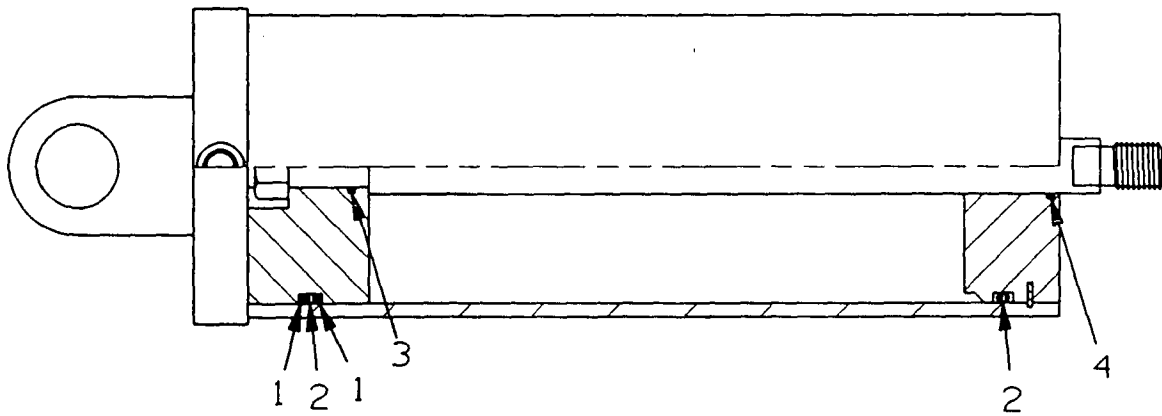
0 250 A 1

O-250A 1

MATERIAL LIST ON BACK



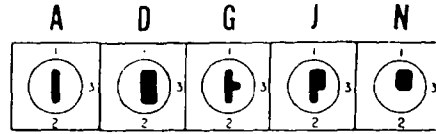
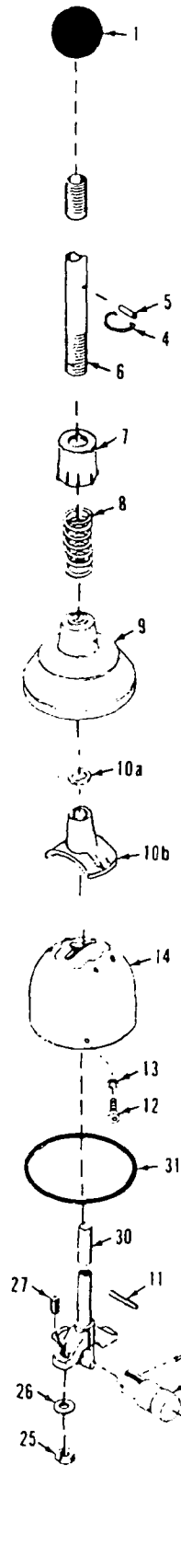
ASSEMBLY O-289	REVISION C
--------------------------	----------------------



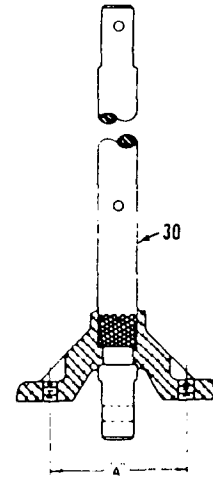
MANITOWOC ENGINEERING CO.

A Division of the Manitowoc Company, Inc.

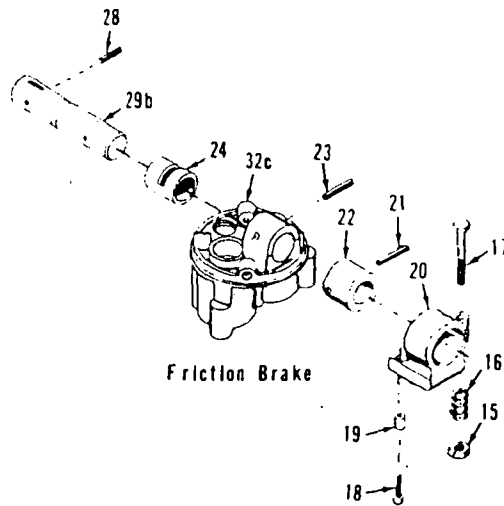
Manitowoc, Wisconsin



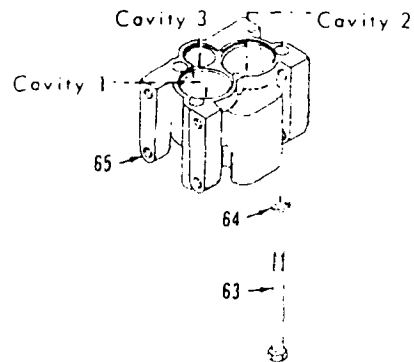
Handle Guide Inserts for Ref. No. 14



Yoke Spacing
Ref. No. 30



Friction Brake



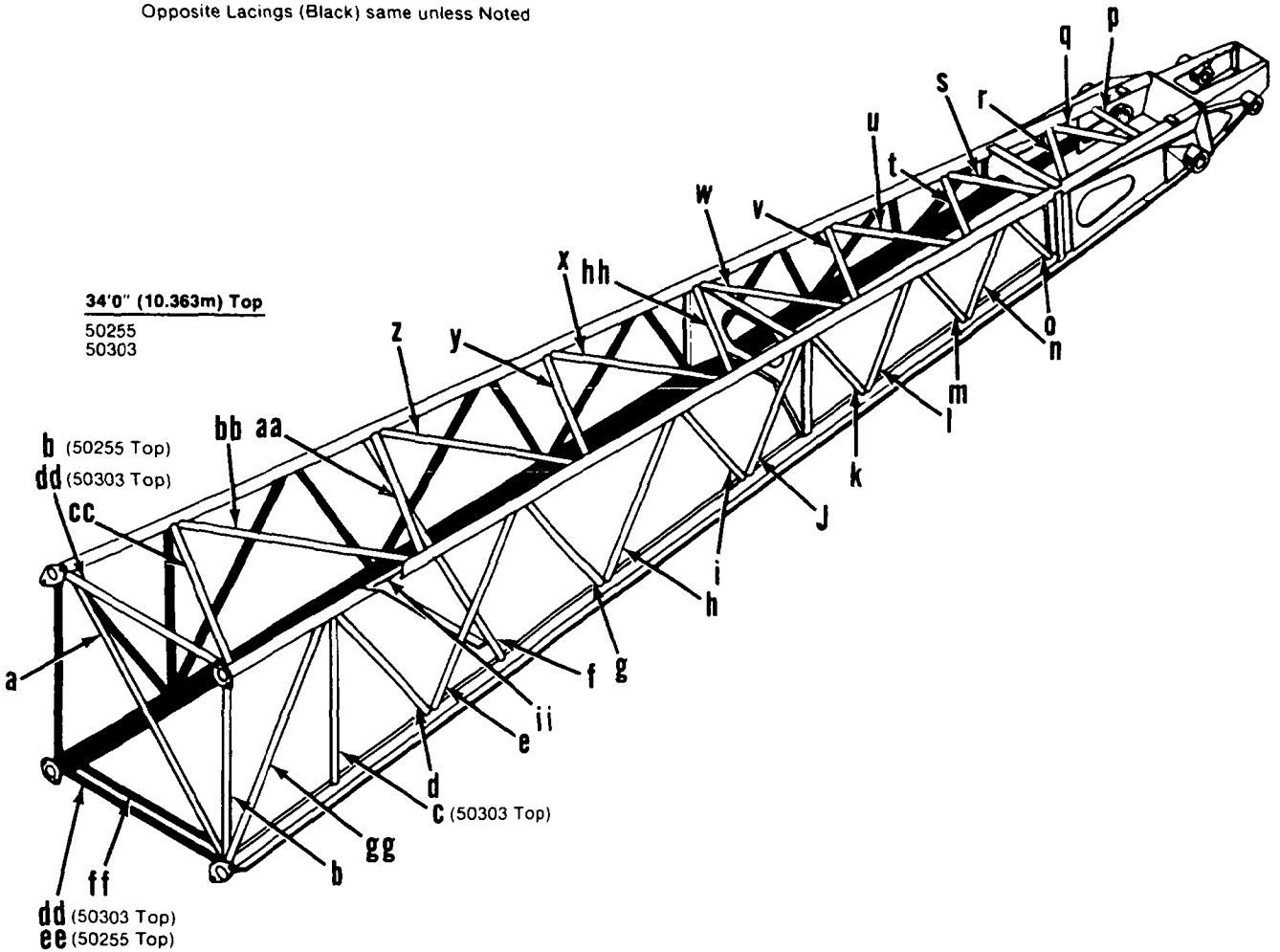
0-441-2B

MATERIAL LIST ON BACK

FLEXAIR VALVE OPERATING MECHANISM

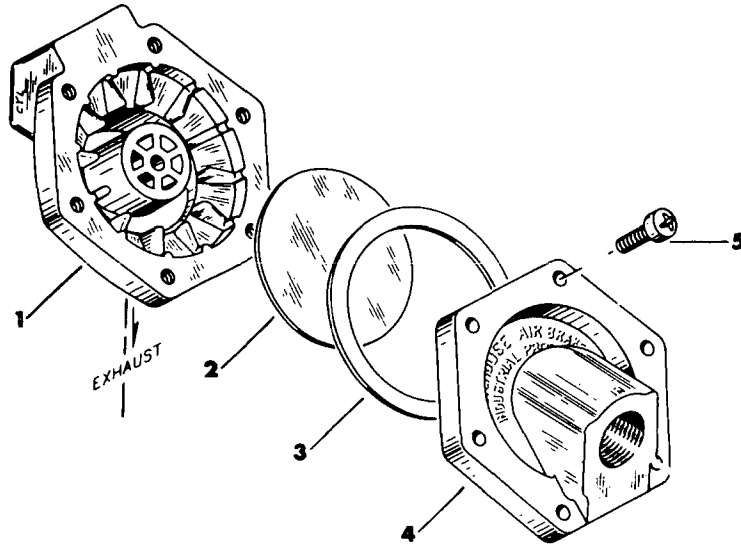
BOOMS #13 AND 17

Opposite Lacings (Black) same unless Noted



To Order Lacings see Folio #823

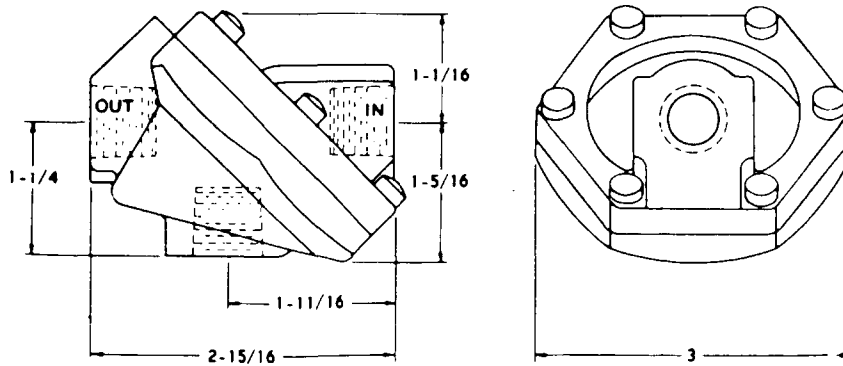
MANITOWOC NO. 714688 - WESTINGHOUSE NO. P52935-3



EXPLODED VIEW

PARTS LIST

Manitowoc Number	Westinghouse Number	Ref. No.	Description
	P52966	1	Body, Valve
714693	P5112	2	Diaphragm
714694	P5111-6	3	Gasket
	P52967	4	Cover, Valve
	P49502	5	Screw, Washer Head



OUTLINE VIEW

Used Approx. 1962 to _____. (See Reverse Side of Sheet)

CLICK HERE TO **DOWNLOAD** THE COMPLETE MANUAL

- Thank you very much for reading the preview of the manual.
- You can download the complete manual from: www.heydownloads.com by clicking the link below



- Please note: If there is no response to CLICKING the link, please download this PDF first and then click on it.

CLICK HERE TO **DOWNLOAD** THE COMPLETE MANUAL