



TRADITIONAL CRANE PARTS MANUAL

This manual has been prepared for and is considered part of

4000W

Model

40395

Serial Number

GROUP A = Rotating Structure (Includes rotating bed, operator's cab, cases, fuel tanks, transfer pump, counterweights, guards, platforms, catwalks, machinery enclosure, horn)

GROUP B = Upperworks Machinery (Includes front, rear, and auxiliary drums, boom hoist, swing and drive shafts, hand levers, foot pedals, control linkage, rotation indicators, upperworks hydraulic components, hydraulic piping, hydraulic oil reservoir, lubrication pump and piping, blowers)

GROUP C = Air Components & Electrical (Includes control console, air piping, electric wiring, auxiliary light plant and lighting, TV monitoring, compressor and air tank)

GROUP D = Power Components - Upperworks (Includes engine or motor, radiator, auxiliary power plant, take off converters and piping, controls, VICON power lowering, torque limiter, hydraulic pumps and piping, fuel piping, battery box)

GROUP E = Lower Structure & Control (Includes carbody, crawlers, travel shafts and control, steering travel locks, hydraulic travel, travel power outriggers, carrier, pedestal, lowerworks hydraulic piping, RINGER components, barge mounting and machinery, spud drums)

GROUP F = Attachments (Includes booms, jibs, masts, tower, wire rope guides, equalizer, gantry, fairlead, timber guards, boom angle indicator, block-up limit, tag line, hook block, weight ball, upper and lower boom point, wind speed indicator, crowd and retract dipper sticks, dippers,)

O-NUMBER SECTION = (Includes lacing drawings and purchased component parts drawings referenced in sections A through F)

This manual is arranged in sections as listed above. Sections A through F are arranged by group numerical order with an index after each section tab. An alphabetical index for groups A Through F combined is located after the O-number Section. The O-number section is arranged in numerical order by O-number. Following this cover page are the Basic Specifications, Warranty Information, Tool List (if applicable) Outline Dimensions, Weights, and Dealer Listing.

MANITOWOC CRANES, INC.

2401 South 30th Street • PO Box 70

Manitowoc, WI 54221-0070

Phone: 920-684-6621 • Fax: 920-683-6278

CLICK HERE TO **DOWNLOAD** THE COMPLETE MANUAL

- Thank you very much for reading the preview of the manual.
- You can download the complete manual from: www.heydownloads.com by clicking the link below



- Please note: If there is no response to CLICKING the link, please download this PDF first and then click on it.

CLICK HERE TO **DOWNLOAD** THE COMPLETE MANUAL

ORDERING BOOM AND JIB LACINGS

All Models

Table of Contents

Purpose	1	B. Ordering Lacings without Lacing Drawings.....	3
Boom or Jib Identification.....	1	Assistance	3
A. Ordering Lacings from Lacing Drawings.....	2	Welding Instructions.....	3

PURPOSE

This folio is divided into two sections:

- A. Ordering boom or jib lacings from LACING DRAWINGS contained in Section F of the parts manual furnished with the crane.
- B. Ordering boom or jib lacings when LACING DRAWINGS ARE NOT AVAILABLE.

BOOM OR JIB IDENTIFICATION

All parts orders for lacings must contain the boom or jib identification number and the component part number:

- **Past Production (View A):**

Boom or jib number, component part number, and manufacturing code stamped into two connectors (diagonally opposite) on both ends of each insert and on end of top and butt.

- **Current Production (View B):**

Boom or jib number, component part number, and manufacturing code stamped into a plate mounted on all four chords of each section.

A524

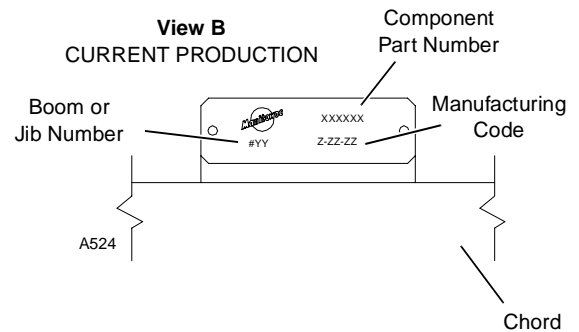
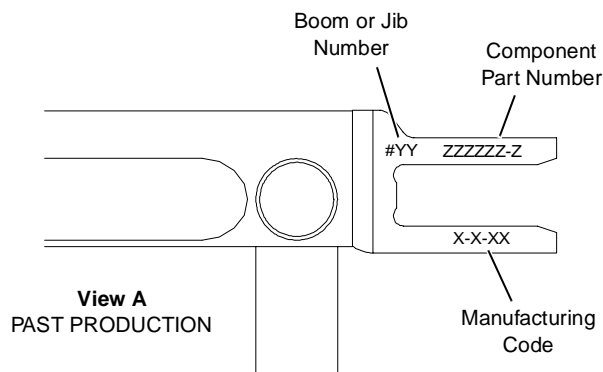


FIGURE 1

GROUP A - Rotating Structure

33760-1 Cont.	REV. S	MODEL 4000T-4000W
---------------	-----------	----------------------

CAB
(SLOPING ROOF)

REF. NO.	PART NUMBER	QUANTITY REQUIRED	DESCRIPTION OF PART	VENDORS PART NO.
28	138440	1	SHEET, Right Front Lower Closing W/stovebolts, hex nut and lockwasher (Use W/Catwalk only)	
31	73227	1	GLASS, Window	
30	605301	1	CHANNEL, Rubber (11'0" - 3.353 m)	
32	97029	1	SASH, Front Window W/hinges (See Note 1)	
33	18972	1	GLASS, Window	
30	605301	1	CHANNEL, Rubber (6'3" - 1.905 m)	
	42313-6	1	PANEL, Right Side (Complete) W/mach. screw, capscrew, stovebolts, hex nuts and lockwasher	
34	632652	1	PANEL, Front	
37	632653	1	PANEL, Upper	
43	587072	1	RAIL, Door	
44	207247	1	STOP, Door	
45	632651	1	PANEL, Center	
46	31590	1	CABINET, Tool	
47	632656	1	GUIDE, Door	
48	42313-2	1	PANEL, Rear	
35	17864	2	RAIL, Hand W/hex nuts	
36	17834	1	GLASS, Window	
30	605301	1	CHANNEL, Rubber (7'4" - 2.236 m)	
38	16031	1	AWNING, Door W/stovebolts, hex nuts and lockwashers	
39	17836	1	GLASS, Window	
30	605301	1	CHANNEL, Rubber (9'5" - 2.870 m)	
40	31631	1	DOOR, Right (See Sheet #2)	
41	70876	1	BAR, Filler (not used W/catwalk)	
	93557	1	CLOSING SHEET ASSEMBLY, Right Rear W/capscrews, elastic stop nuts and chain	
42	140175	1	DOOR	
68	482058	3	HINGE, Concealed	
49	94012	1	SHEET, Closing	
67	510183	1	LOCK	
51	32807	1	EXTENSION, Cab W/mach. screws and lockwashers	
50	32823	1	SHUTTER, Radiator W/pins, cotter pins, capscrews, hex nuts and lockwashers	
52	77158	1	PANEL, Right Rear W/mach. screw, hex nut and lockwasher	
53	91878	1	CLOSING SHEET, Bottom Right Front W/capscrew, hex nut and lockwasher (W/out catwalk)	
53	71299	1	CLOSING SHEET, Bottom Right Front W/capscrews, hex nuts and lockwashers (W/catwalk)	
54	91877	1	CLOSING SHEET, Bottom Right Rear W/capscrew, hex nut and lockwasher	
55	91879	1	CLOSING SHEET, Vertical W/capscrew, hex nut and lockwasher	
	180160-6	1	PANEL, Inner Right W/mach. screws, capscrews, stovebolts, hex nut and lockwasher	
57	632693	1	SHEET, Lower	
58	632692	1	SHEET, Front	
59	180160-2	1	SHEET, Front	
56		1	DOOR W/hinge	
60	633214	1	FRAME, Window	
62	633213	1	SHEET, Upper	

REV. S	33760-1 Cont.
-----------	---------------

Run as Front

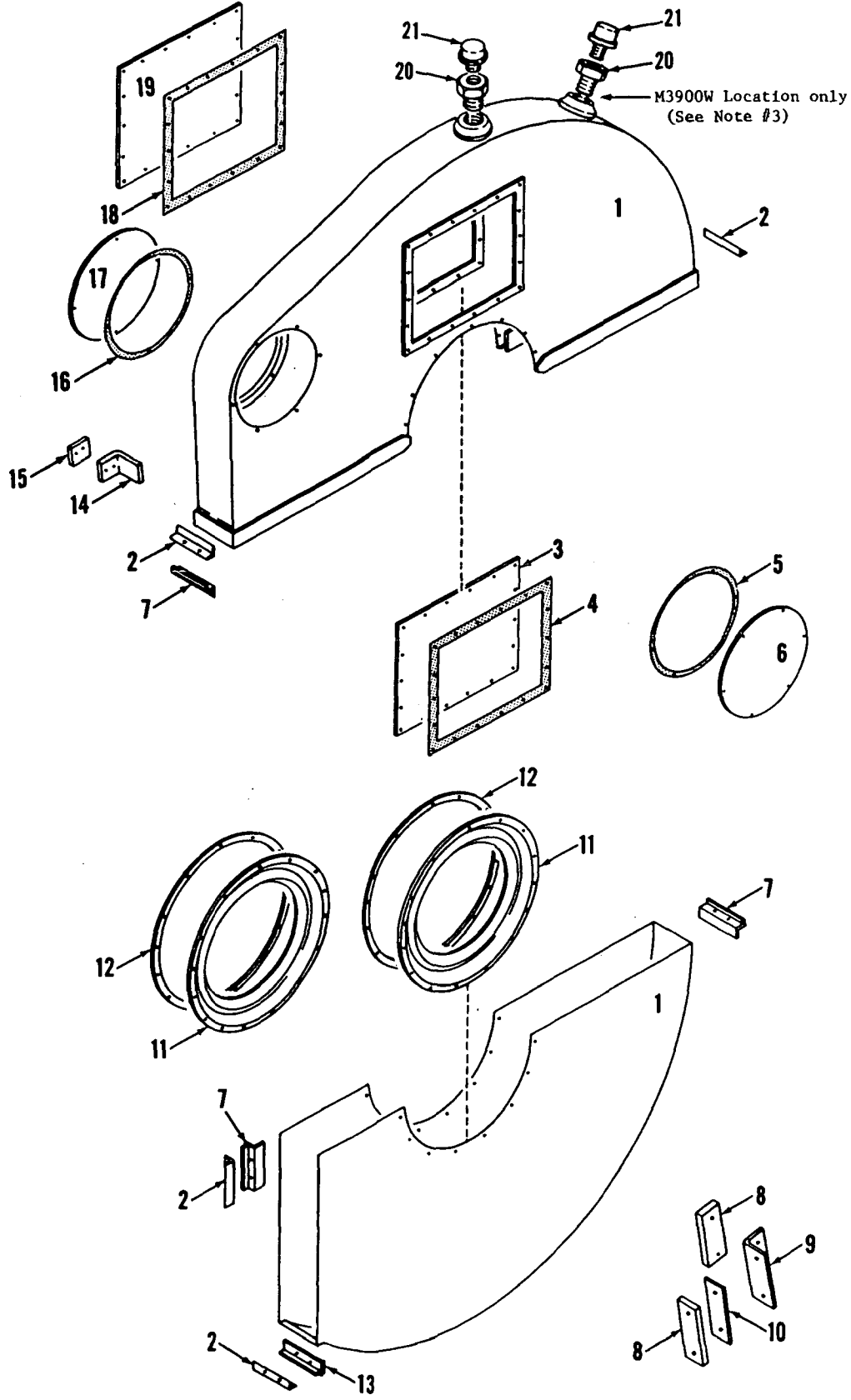
W/OER

33760 S1 Cont'd. -1

MANITOWOC ENGINEERING CO.

A Division of The Manitowoc Company, Inc.

Manitowoc, Wisconsin



43331A2

43331A2

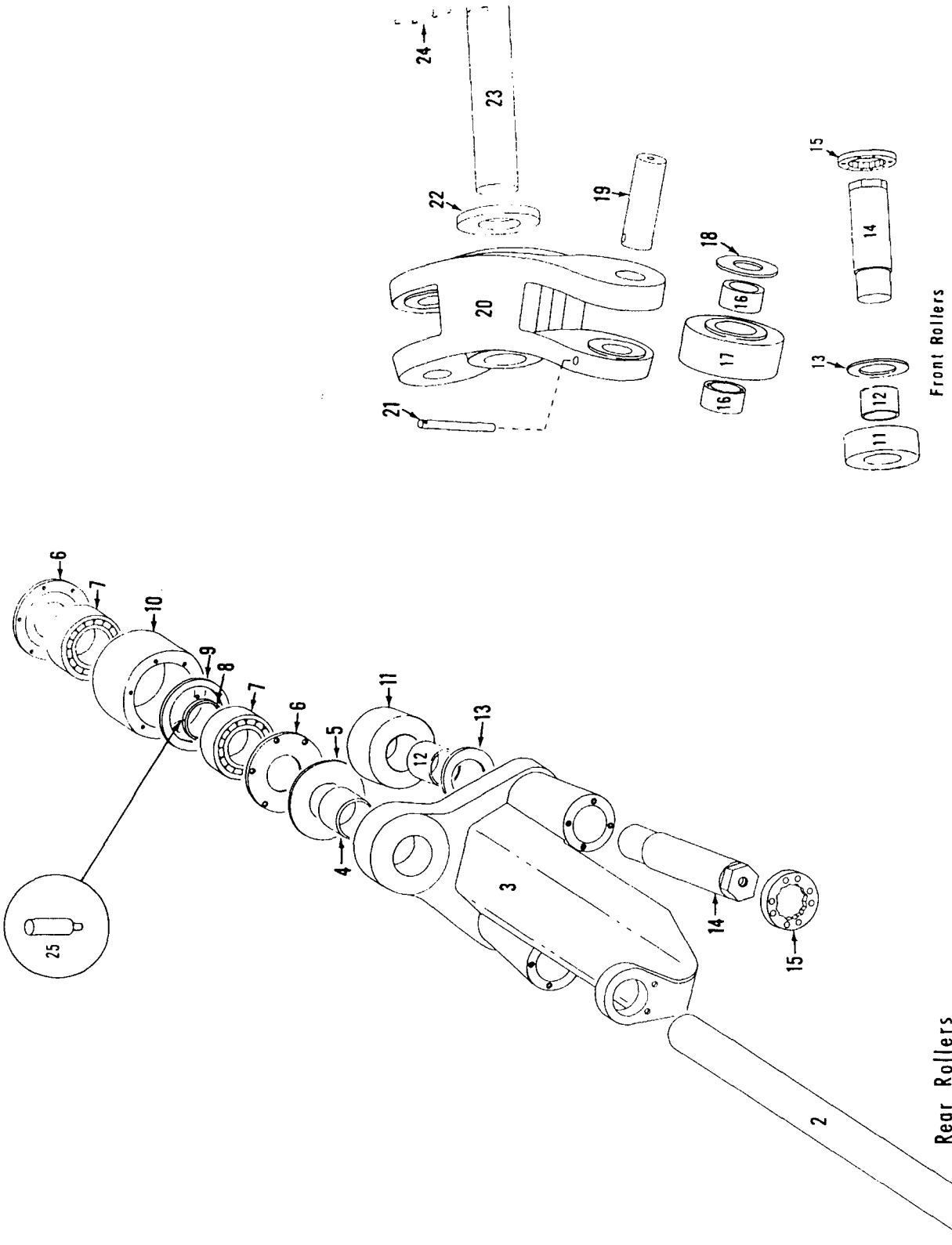
MATERIAL LIST ON BACK

GEAR CASE

MANITOWOC ENGINEERING CO.

A Division of The Manitowoc Company, Inc.

Manitowoc, Wisconsin



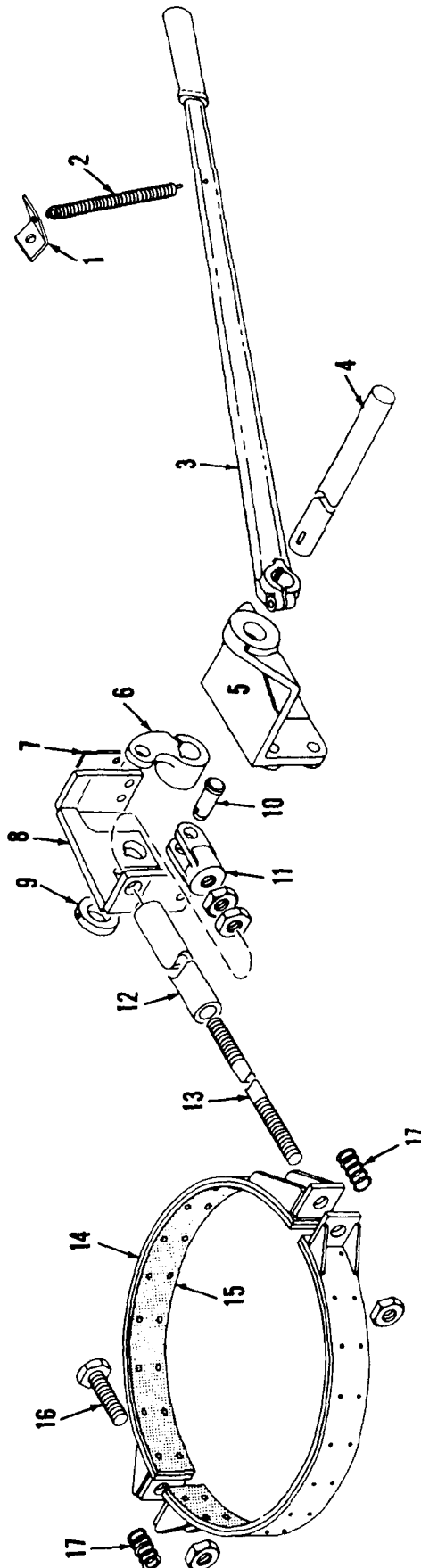
Front Rollers

Rear Rollers

ROTATING BED ROLLERS

MATERIAL LIST ON BACK

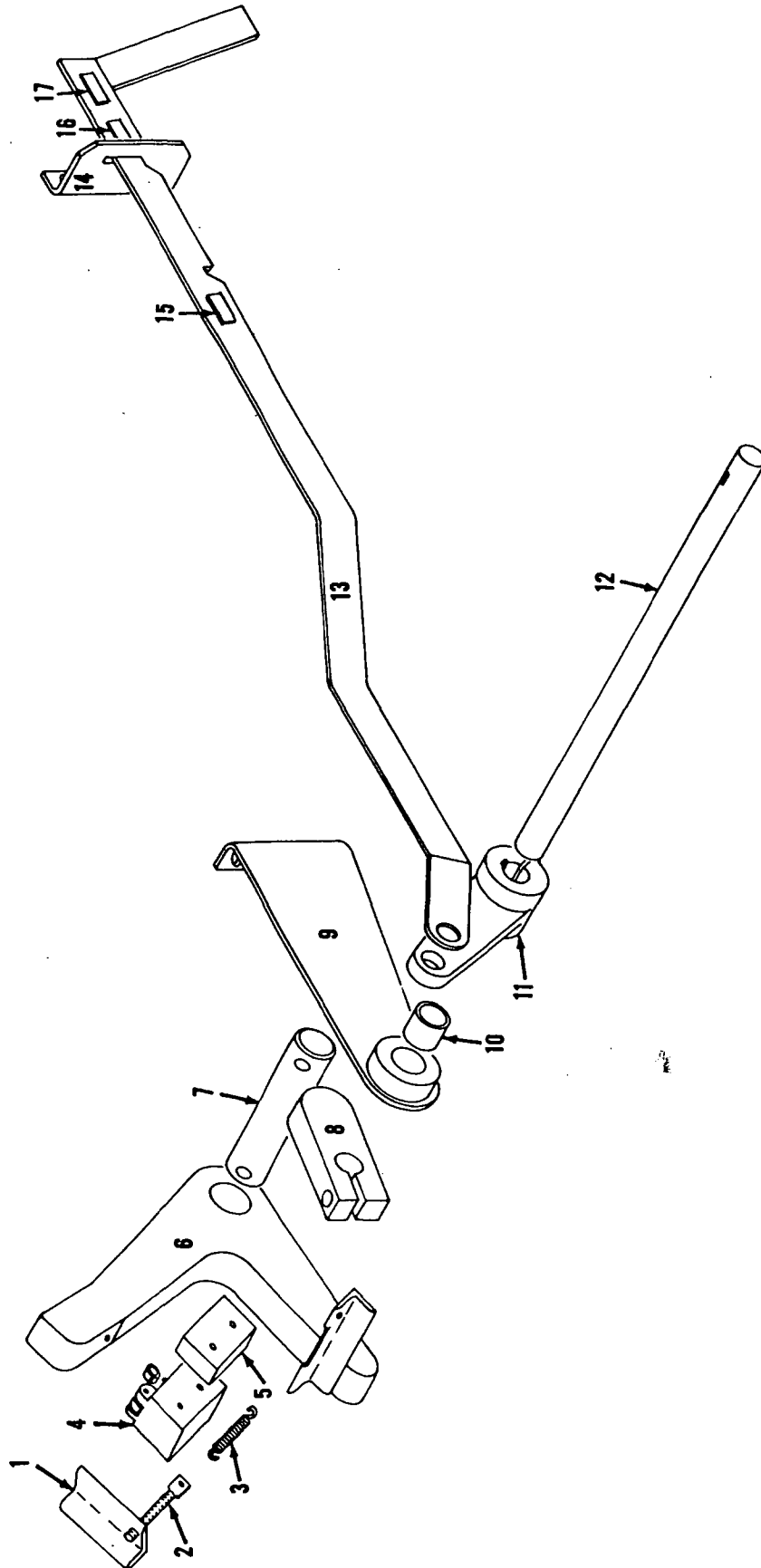
42163E2



MANITOWOC ENGINEERING CO.

A Division of The Manitowoc Company, Inc.

Manitowoc, Wisconsin



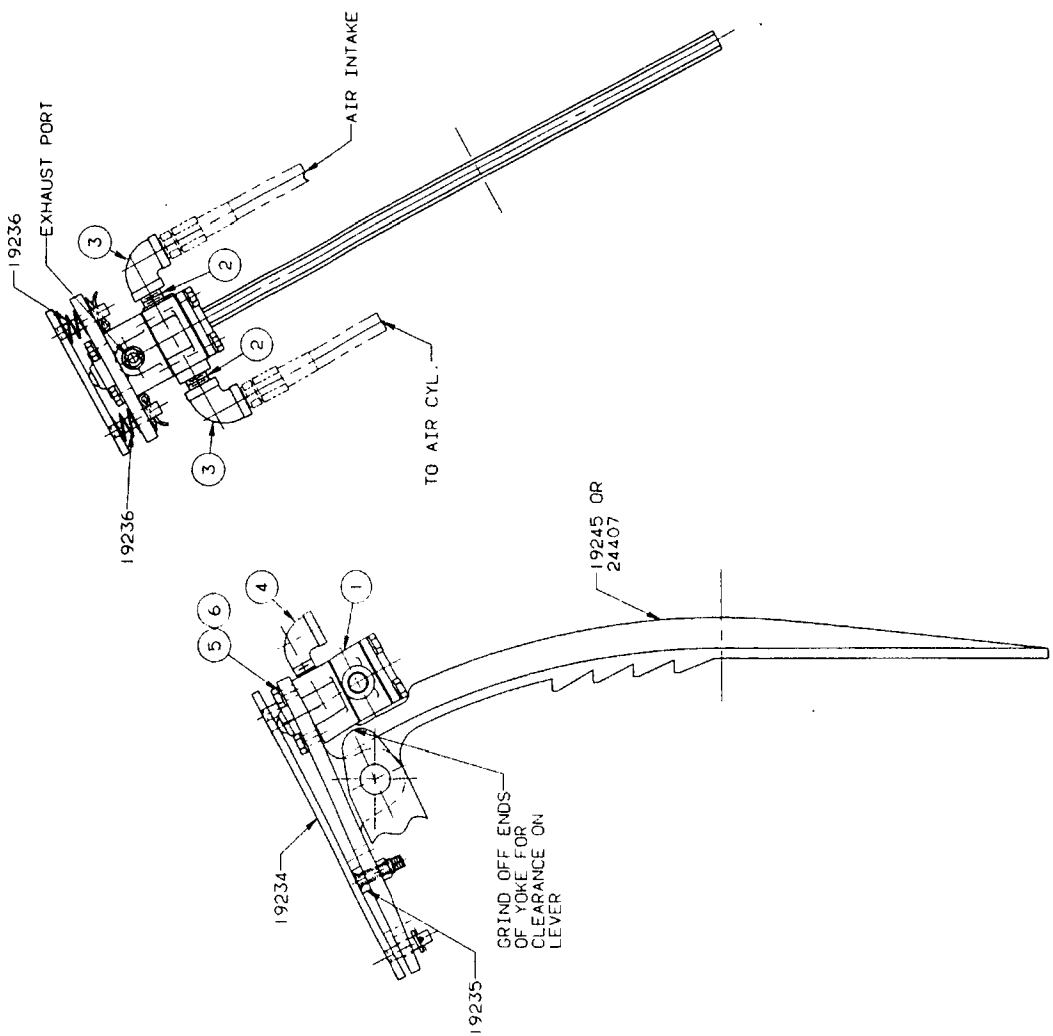
18060881

MATERIAL LIST ON BACK

PAWL

QTY	FIG.	DESCRIPTION	MATERIAL	REF. NO.	REV.	ISSUE DATE	USED ON
1	IN-2446-A	MIDLAND VALVE		702444		41719	43814
2	.250	CLOSE NIPPLE		543171		42374	43815
3	.250 X 90°	ELBOW		406970		42584	43820
4	1.250 X 90°	STREET ELBOW		406921		43328	43861
5	4.250-28UNF-2A X .75	HEX HD CAPSCREW		613103		43340	48127
6	.250	LOCKWASHER		710302		43721	48128
						43951	48150
						43952	48279
						43953	
REVISES							
						6-26-56	
						1 WAS N-2474	
						9-6-60	
						24407 ADDED	
						12-2-83 GLP	
						REDRAW CADAM	
						CK. KGB	
						APP. RJS	

(1) FOR MODELS 2800 & 2900 ONLY



NOTICE
 THIS DRAWING IS PROPERTY OF
 MANITOWOC ENGINEERING CO.
 IT IS TO BE KEPT IN CONFIDENCE AND NOT TO BE REPRODUCED OR
 TRANSMITTED IN ANY FORM OR BY ANY MEANS, ELECTRONIC OR
 MECHANICAL, INCLUDING PHOTOCOPYING, RECORDING, OR BY ANY
 INFORMATION STORAGE AND RETRIEVAL SYSTEM.

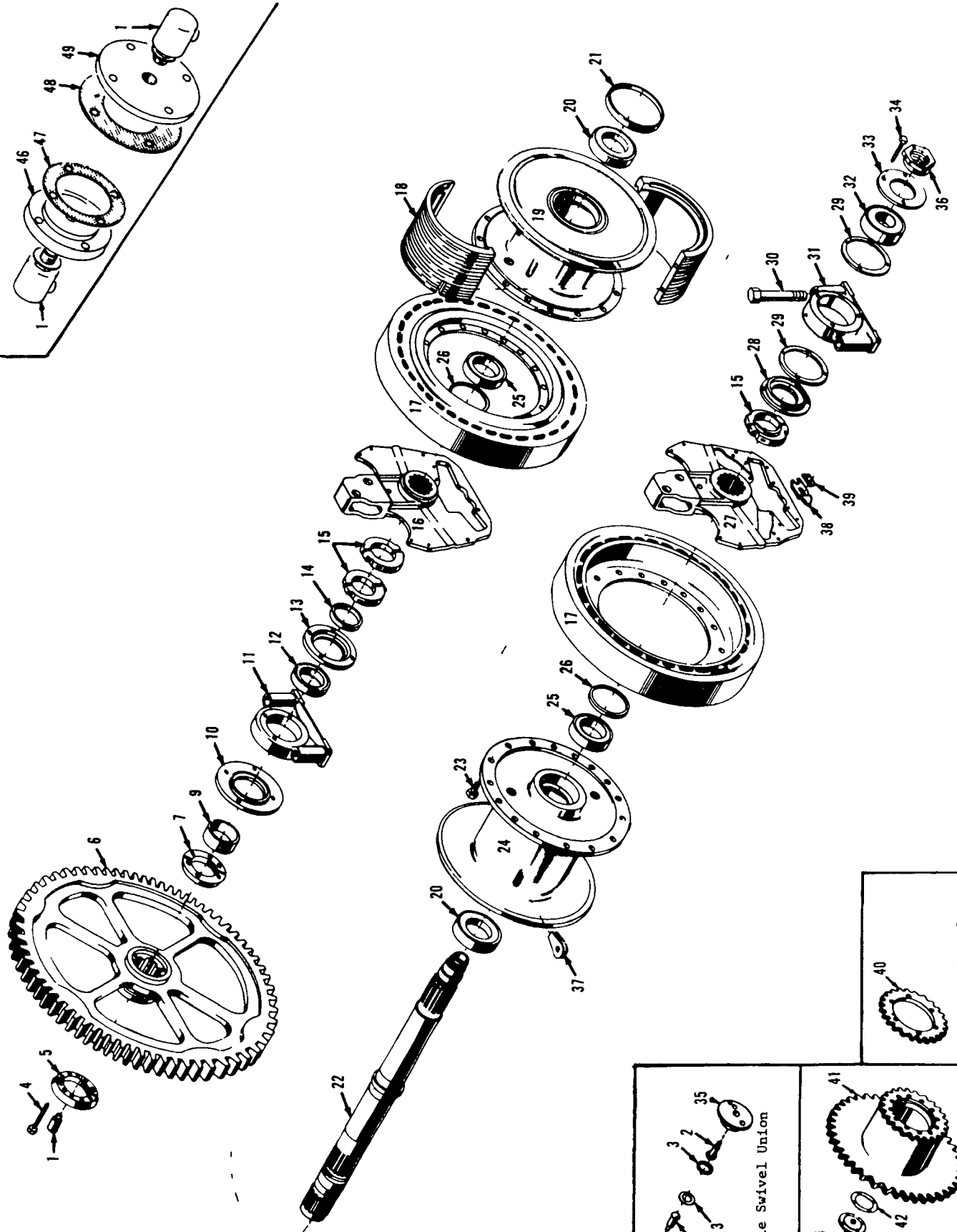
6	EHJ	MANITOWOC ENGINEERING CO	AIR BOOSTER	3-17-55	23194
6	LMP	MANITOWOC ENGINEERING CO	FOOT BRAKE PEDAL ASSEMBLY		
					23194

DO NOT SCALE THIS DRAWING

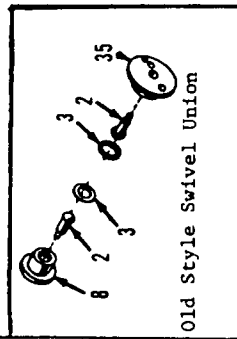
O-147,0-250

23194

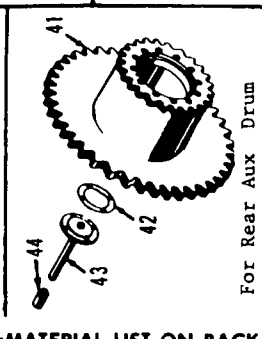
MASTER



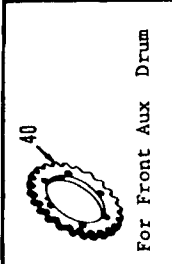
42385E1



Old Style Swivel Union



For Rear Aux Drum



For Front Aux Drum

MATERIAL LIST ON BACK

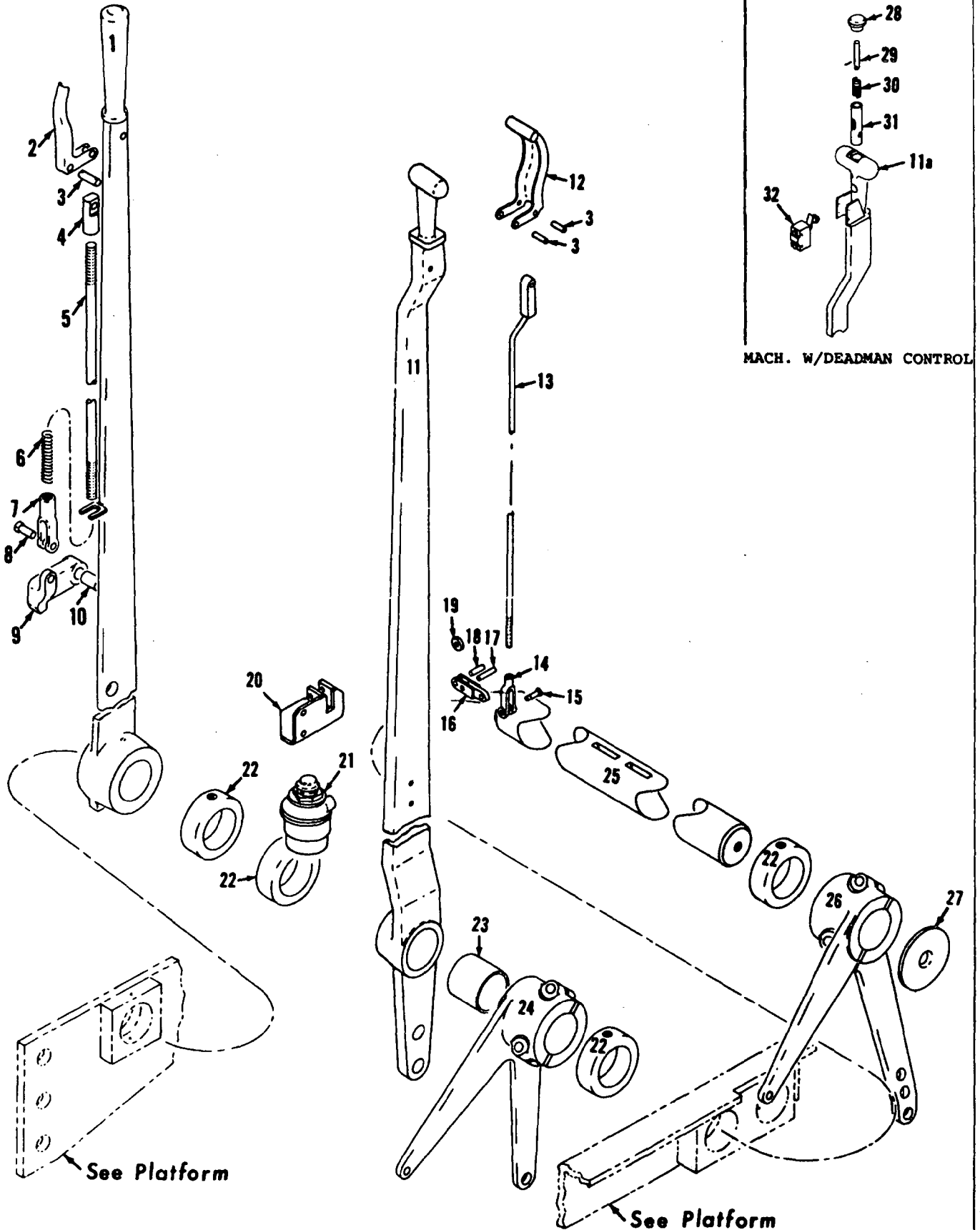
DRUM SHAFT

MANITOWOC ENGINEERING CO.

A Division of The Manitowoc Company, Inc.

Manitowoc, Wisconsin

MASTER



MACH. W/DEADMAN CONTROL

3279981

32799 61

MATERIAL LIST ON BACK

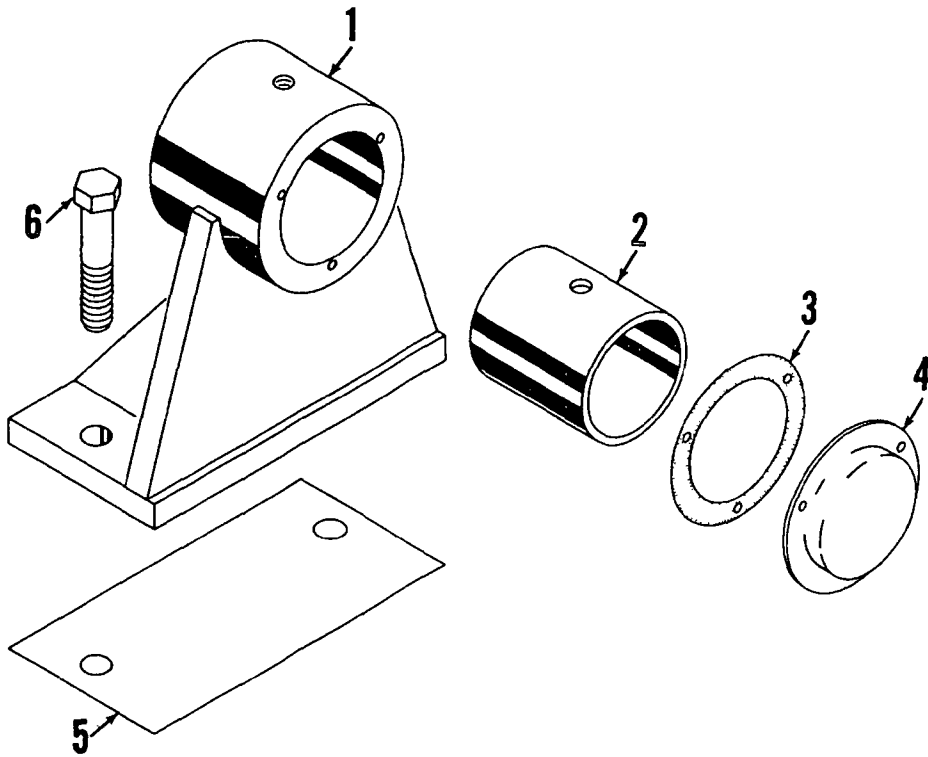
HAND LEVERS

MANITOWOC ENGINEERING CO

A Division of The Manitowoc Company Inc.

Manitowoc, Wisconsin

MASTER



23806 A-1

ILLUST No 23806-A-1

MATERIAL LIST ON BACK

OUTBOARD BEARING

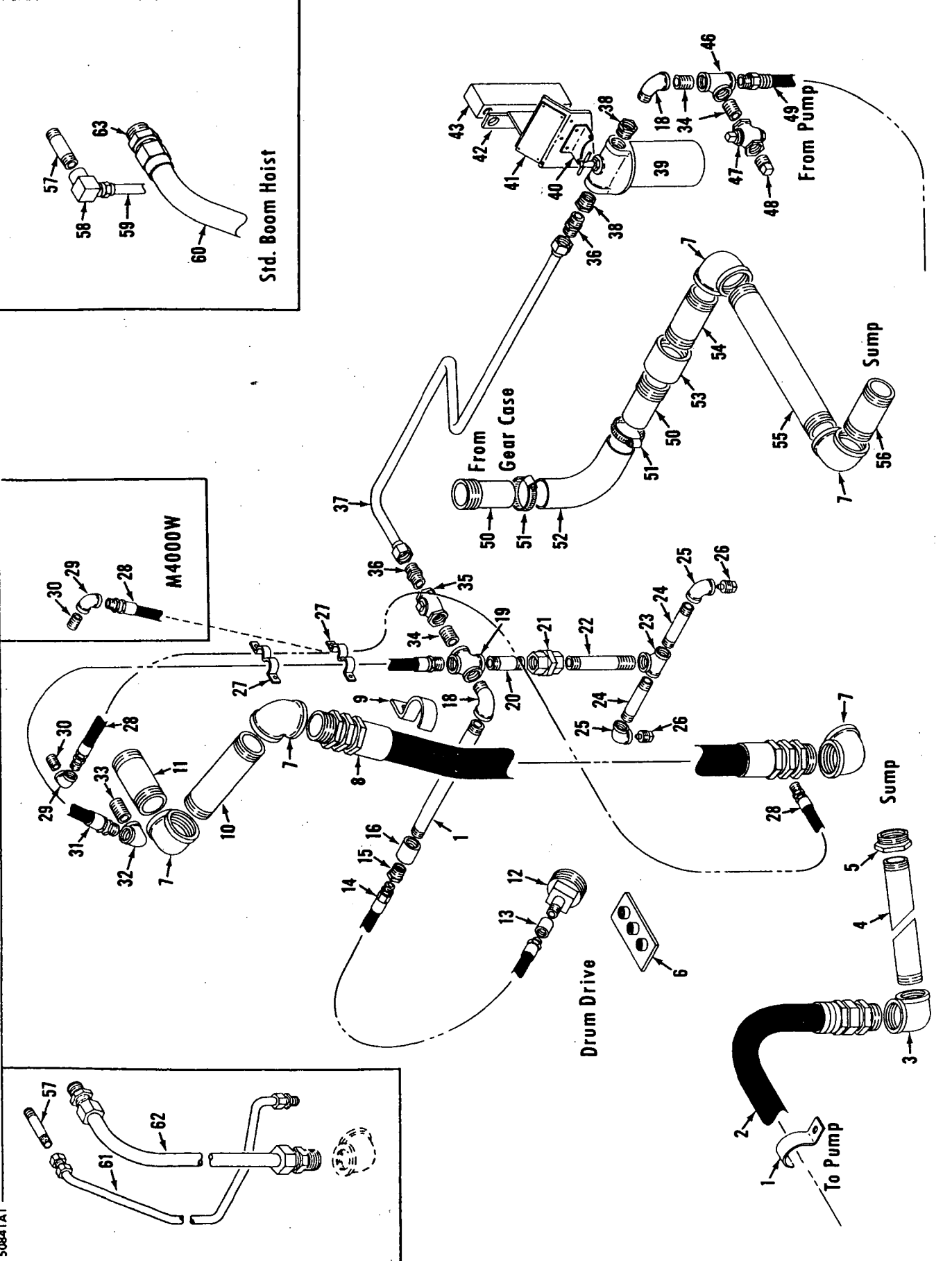
A Division of The Manitowoc Company, Inc.

Manitowoc, Wisconsin

MASTER

50841A1

50841A1



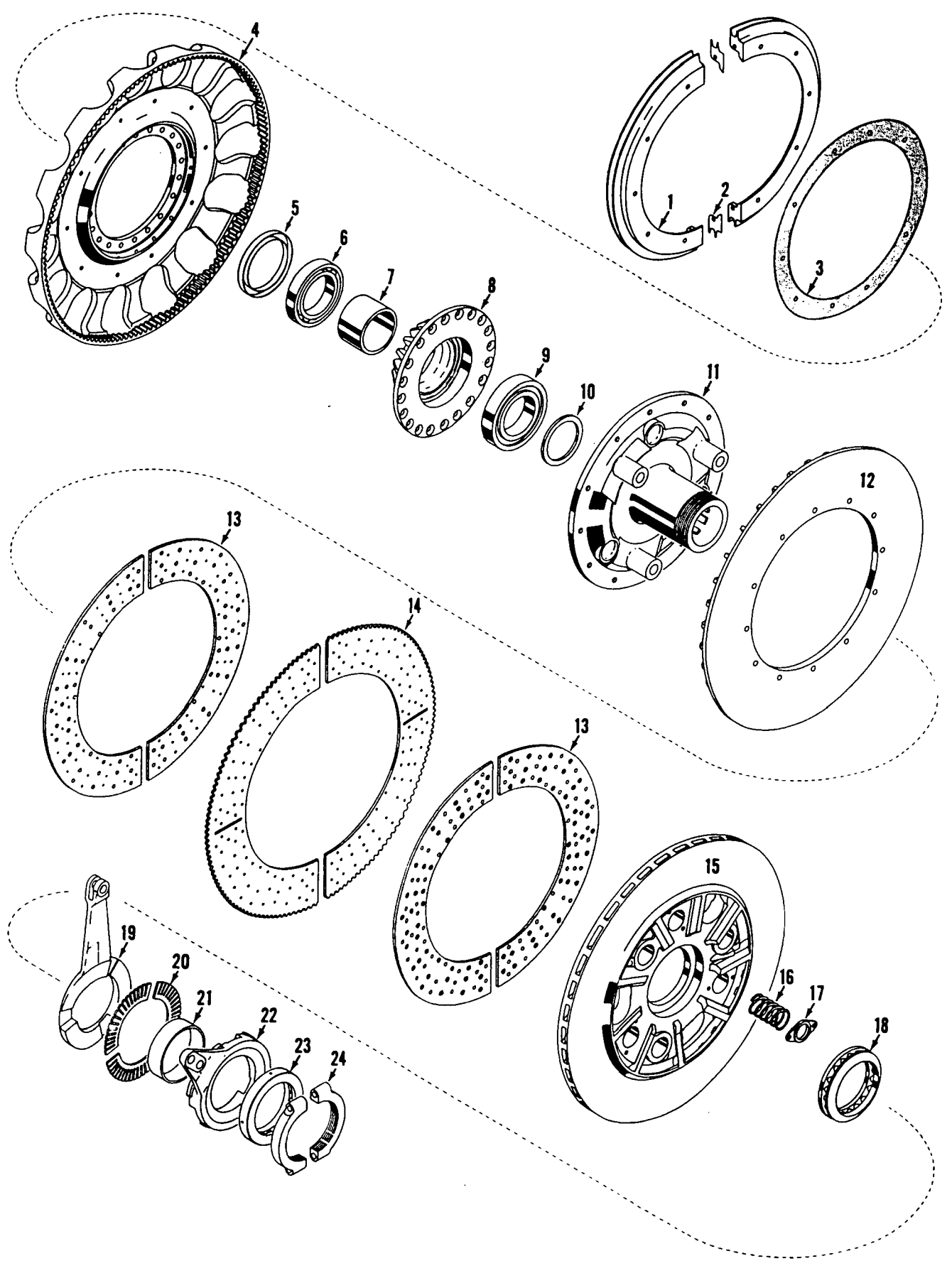
MATERIAL LIST ON BACK

LUBE. OIL PIPING

MANITOWOC ENGINEERING CO.

A Division of The Manitowoc Company, Inc.

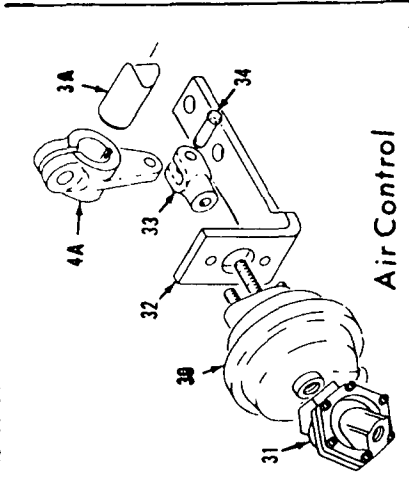
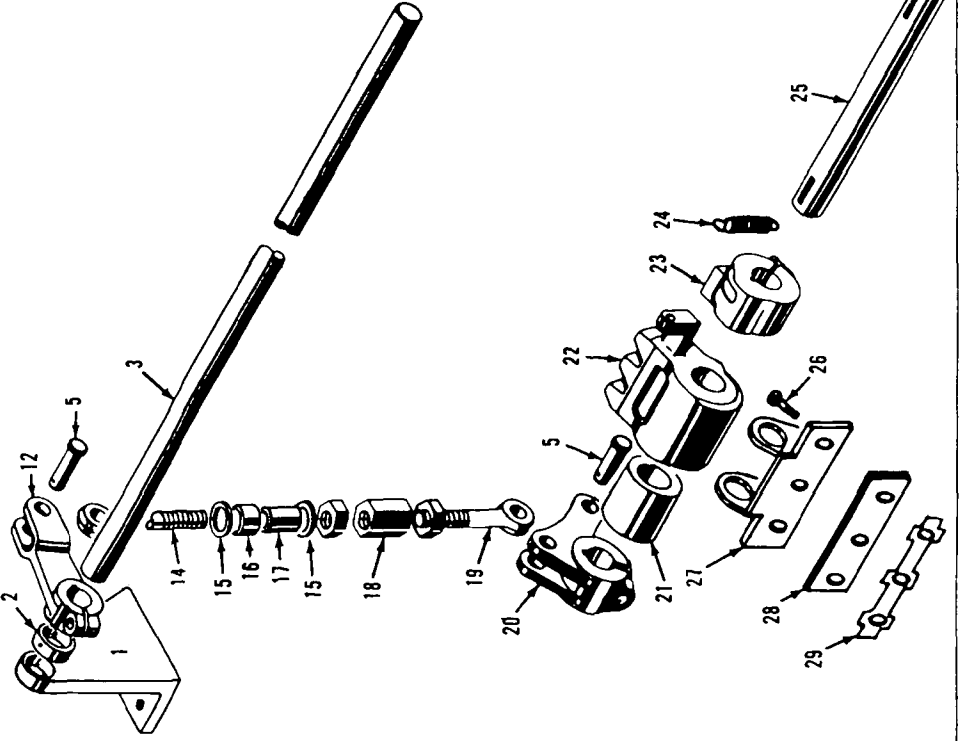
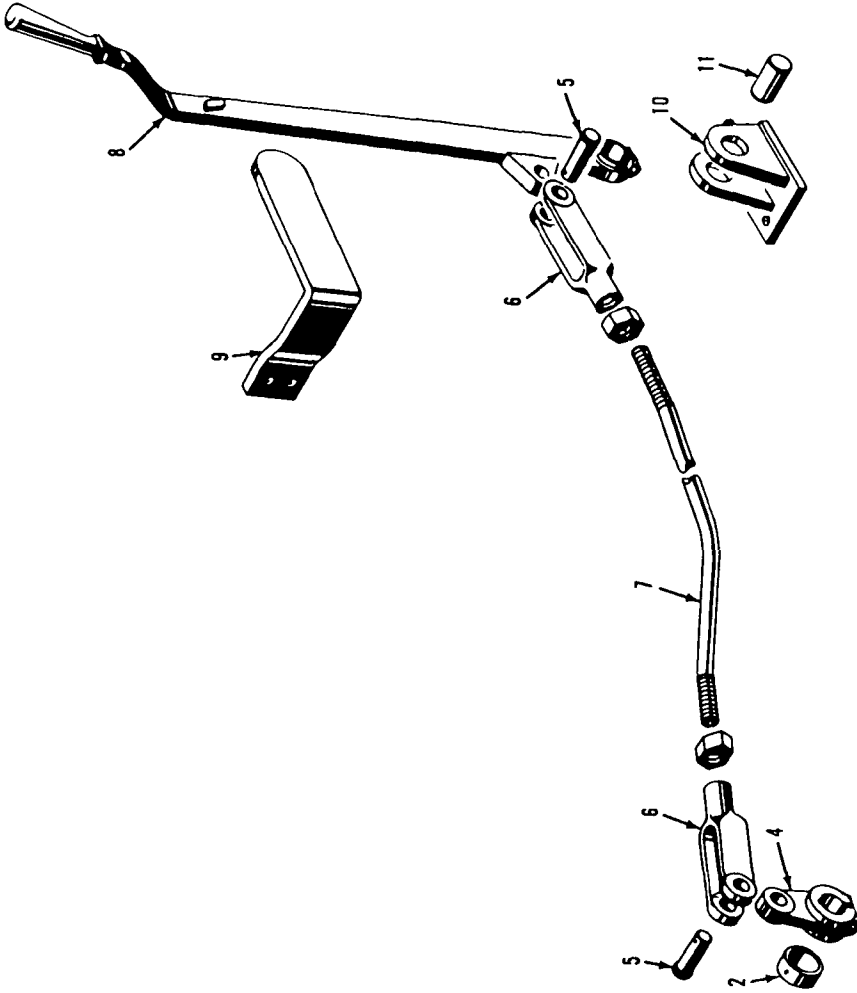
Manitowoc, Wisconsin



43132A2

MATERIAL LIST ON BACK

MAIN DRIVE CLUTCH



48963 C1

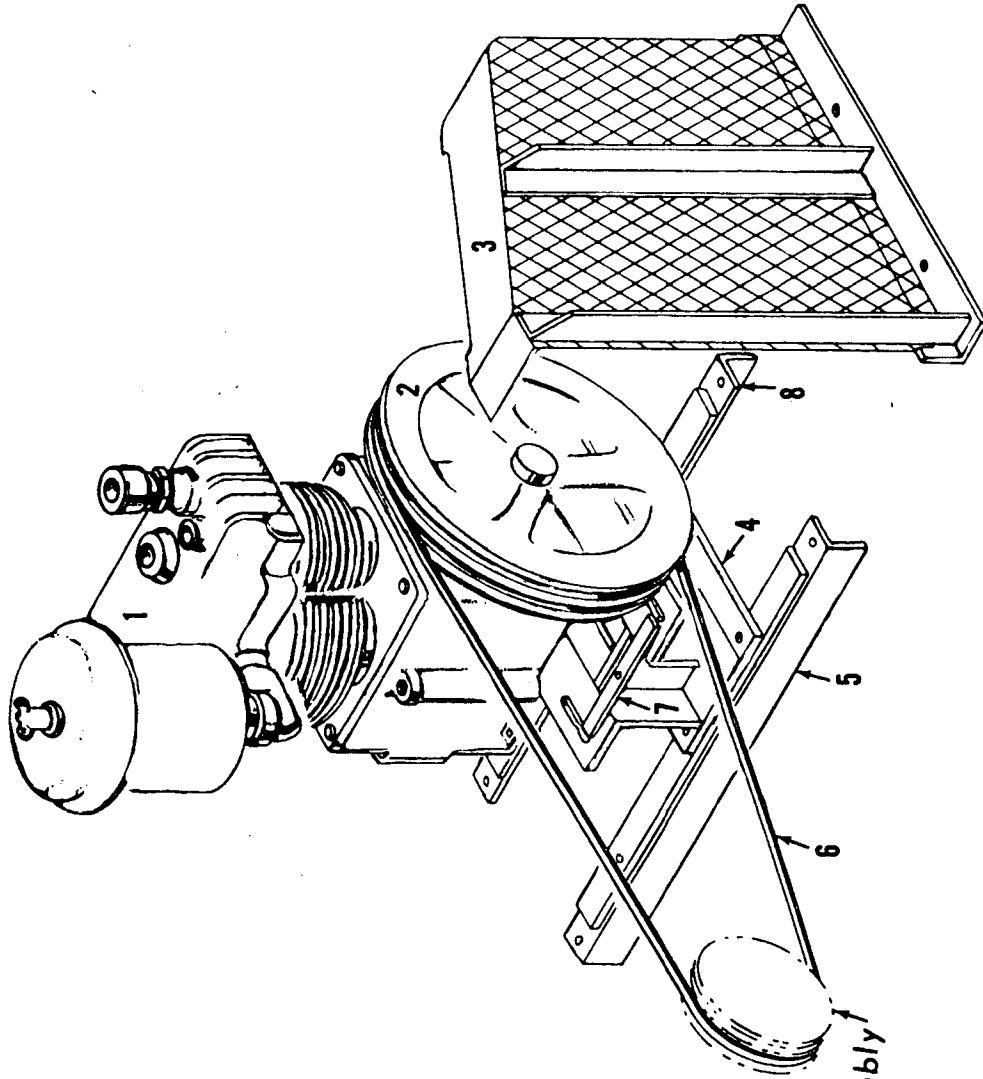
MATERIAL LIST ON BACK

SWING LOCK CONTROL

MANITOWOC ENGINEERING CO.

A Division of The Manitowoc Company, Inc.

Manitowoc, Wisconsin



See Power Plant Assembly

MASOR

41994 A2

41994A2

MATERIAL LIST ON BACK

COMPRESSOR

48462-1 Cont.	REV. Q	MODEL 3000W, 3600, 3900, 3900T, 3900W, 4000W
---------------	--------	--

CONTROL CONSOLE

REF. NO.	PART NUMBER	QUANTITY REQUIRED	DESCRIPTION OF PART	VENDORS PART NO.
41	715511	1	VALVE, Hydraulic Winch Control	
42	139244	1	HANDLE, Valve	
43	714440	1	KNOB, Handle	
44	715506	1	VALVE, Front or Right Front Drum Control	
44	182873		VALVE, Right or Right Front Drum Control (Lift Combination Mach. W/out Manual Converter Control) (See Note 5)	
44	183210		VALVE, Right or Right Front Drum Control (Straight Lift W/out Manual Converter Control) (See Note 5)	
44	180848		VALVE, Right or Right Front Drum Control (Vicon W/Out Manual Converter Control) (Superseded by #182873 or 183210)	
45	137496	1	HANDLE, Valve	
46	500812	1	KNOB, Handle	
47	714491	1	VALVE, Left Front or Rear Drum Control (See Note 3)	
47	182873		VALVE, Left Front or Rear Drum Control (Lift Combination W/Out Manual Converter Control) (See Note 5)	
47	183210		VALVE, Left Front or Rear Drum Control (Straight Lift W/Out Manual Converter Control) (See Note 5)	
47	180848		VALVE, Left Front or Rear Drum Control (Vicon W/Out Manual Converter Control) (Superseded by #182873 or 183210)	
48	714491	1	VALVE, Ind. Boom Hoist Control (M3000W, 3600, 3900, 4000W Vicon)	
48	714420	1	VALVE, Ind. Boom Hoist Control (All Non-Vicon and M3900T, 3900W Vicon) (See Note 4 - M3900W W/Hyd. Boom Hoist)	
49	76833	1	BRACKET, Quick Release Valve W/capscrews, hex nuts and lockwashers (Vicon)	
50	714688	as req	VALVE, Quick Release	
51	92398	1	MANIFOLD, Valve Standard	
52	93626	1	NAMEPLATE W/capscrews (M3000W, 3600)	
52	93822	1	NAMEPLATE W/capscrews (M3900, 3900T, 3900W, 4000W)	
53	139241	1	SPACER (M3000W, 3600, 3900, 3900W, 4000W)	
53a	139242	1	BRACKET (M3900T only)	
54	136217	1	BRACKET, Stand Right	
55	139243	1	SPACER W/capscrews (M3900T only)	
56	136218	1	BRACKET, Stand Left	
57	70188	1	HOSE, Flex (9'4" - 2.845 m long)	
58	15054	2	HOSE, Flex (3'4" - 1.016 m long)	
59	472025	2	GROMMET, Rubber	
60	679106	1	TEE (3/4" x 1/2" x 1/2")	
61	288834	1	BUSHING (1/2" x 1/2")	
62	673356	1	SWITCH, Pressure (See Note 2)	
63	543185	2	NIPPLE (3/4" x 2")	
64	511111	1	INJECTOR, Alcohol (Optional)	
65	543185	1	NIPPLE (3/4" x 2") (W/Alcohol Injector Only)	
66	427130	1	FILTER, Air (See Note 2)	
67	406873	1	ELBOW, 90° Reducing (3/4" x 1/2")	
69	79017	1	BRACKET W/capscrews, hex nuts and lockwashers (W/Filter Only)	
68	667227	2	STRAP, Pipe	
70	73366	1	BRACKET W/capscrews, hex nuts and lockwashers (W/Filter and Alcohol Injector)	
71	73368	1	CLAMP W/capscrews, hex nuts and lockwashers (W/Filter and Alcohol Injector)	

REV. Q	48462-1 Cont.
--------	---------------

PLEASE GIVE MACHINE S/N W/ORDER

MANIFOLD

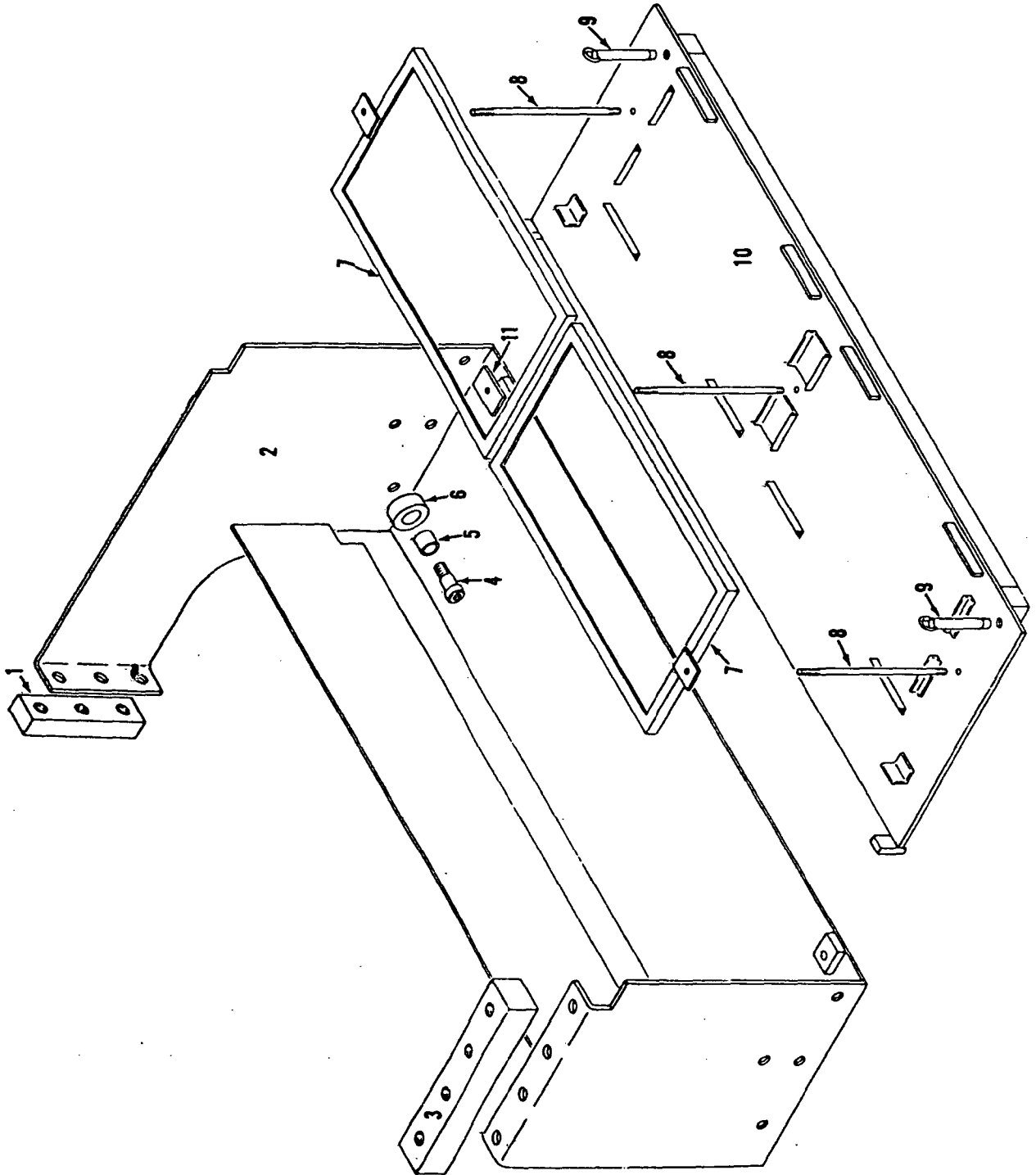
TOTAL 50

TOTAL 71

MANITOWOC ENGINEERING CO.

A Division of The Manitowoc Company, Inc.

Manitowoc, Wisconsin



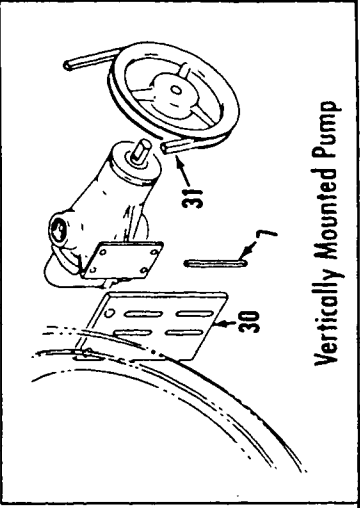
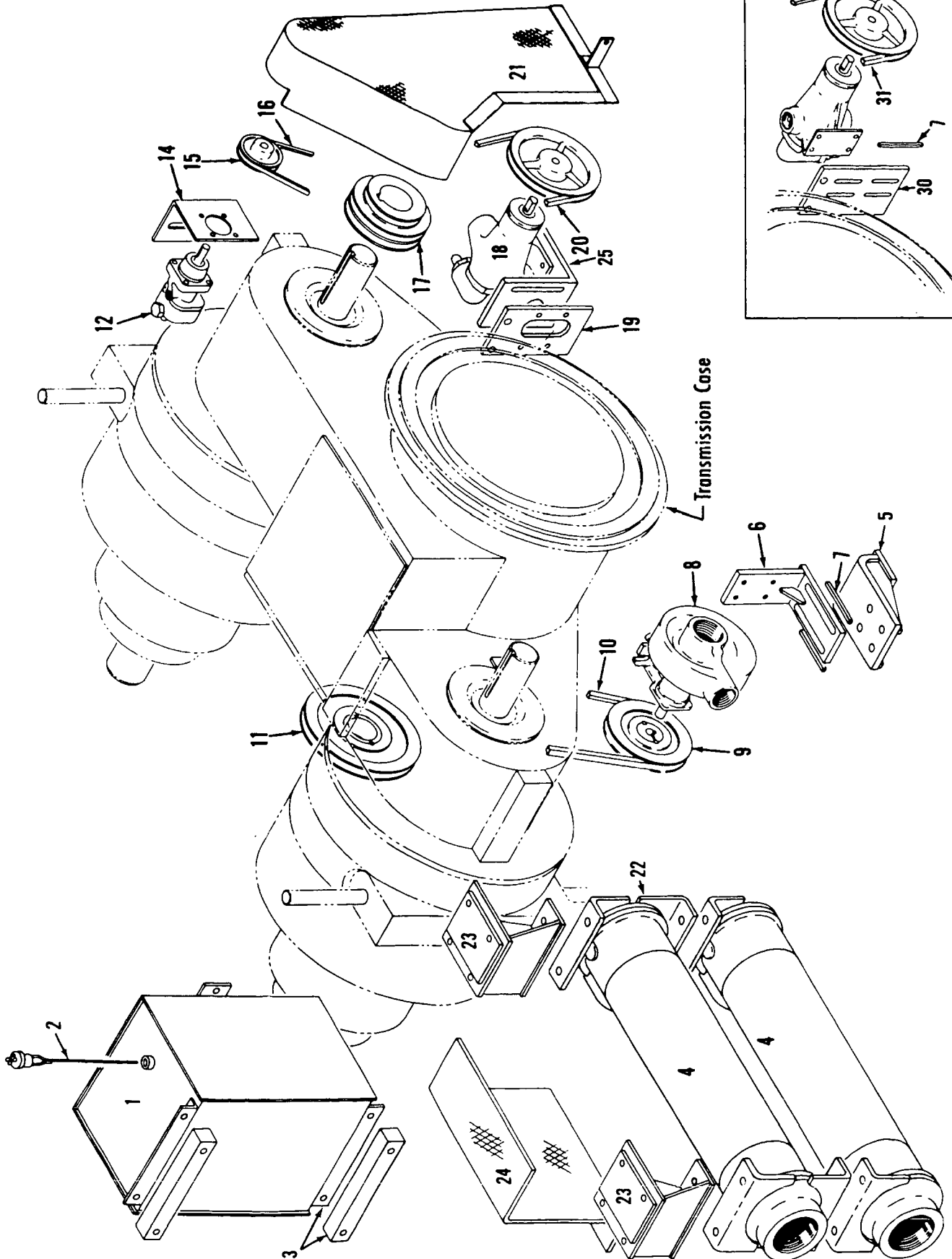
48960A1

MATERIAL LIST ON BACK

BATTERY BOX

MASTER

MASTER

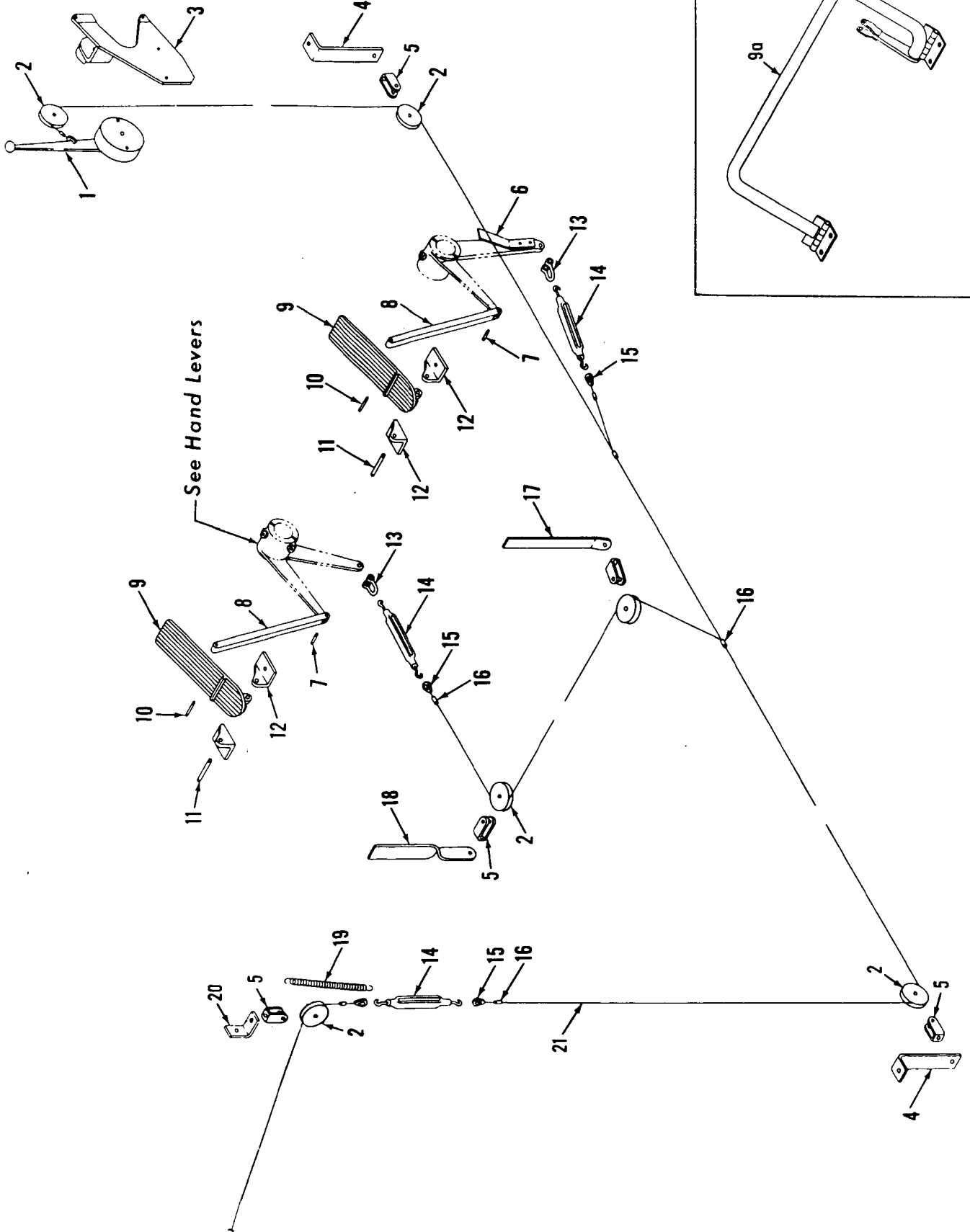


Vertically Mounted Pump

MANITOWOC ENGINEERING CO.

A Division of The Manitowoc Company, Inc.

Manitowoc, Wisconsin

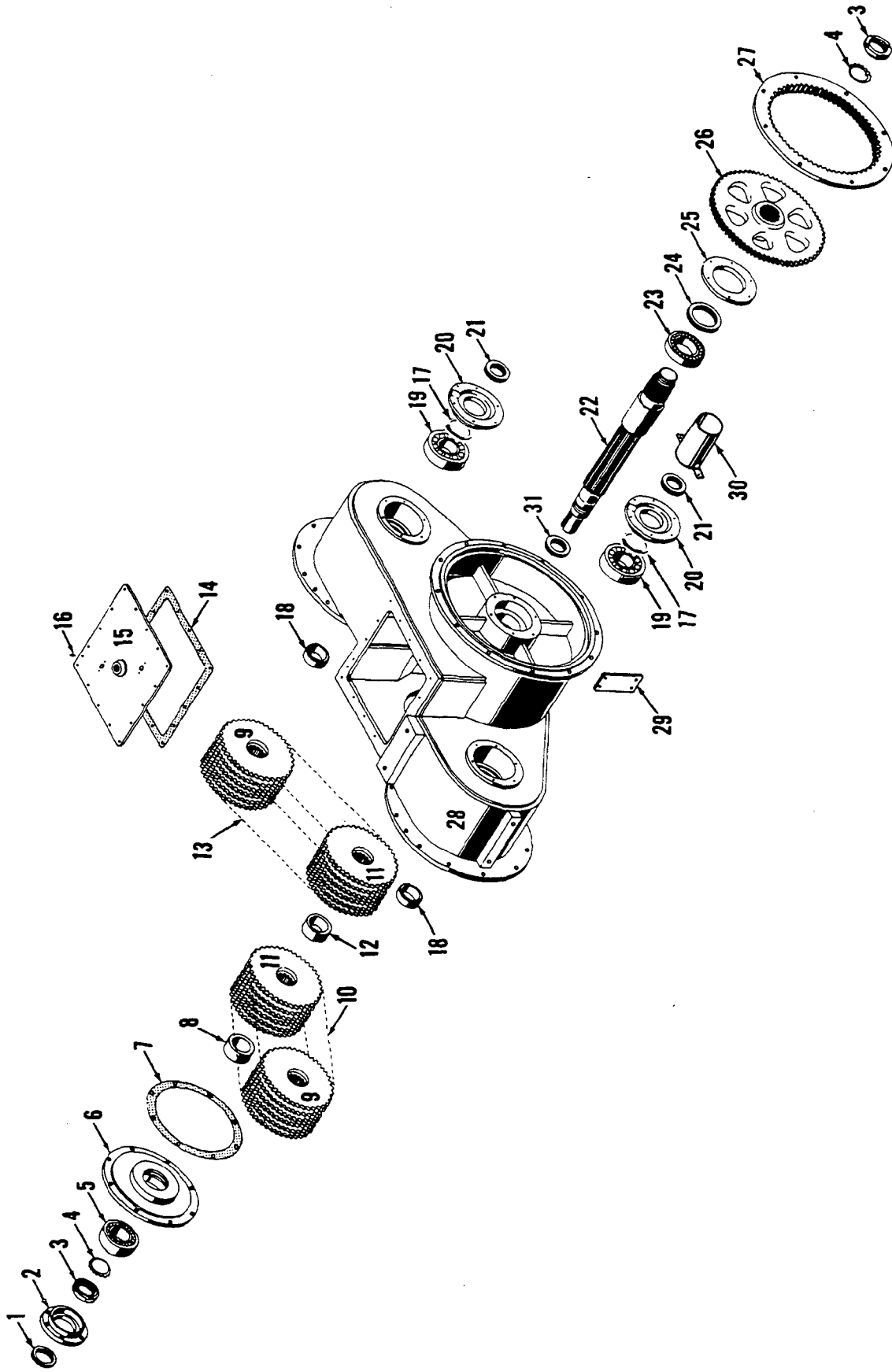


32498 C-1

32498C1

MATERIAL LIST ON BACK

ENGINE CONTROL



42748G1

MATERIAL LIST ON BACK

TRANSMISSION CASE ASSEMBLY

CLICK HERE TO **DOWNLOAD** THE COMPLETE MANUAL

- Thank you very much for reading the preview of the manual.
- You can download the complete manual from: www.heydownloads.com by clicking the link below



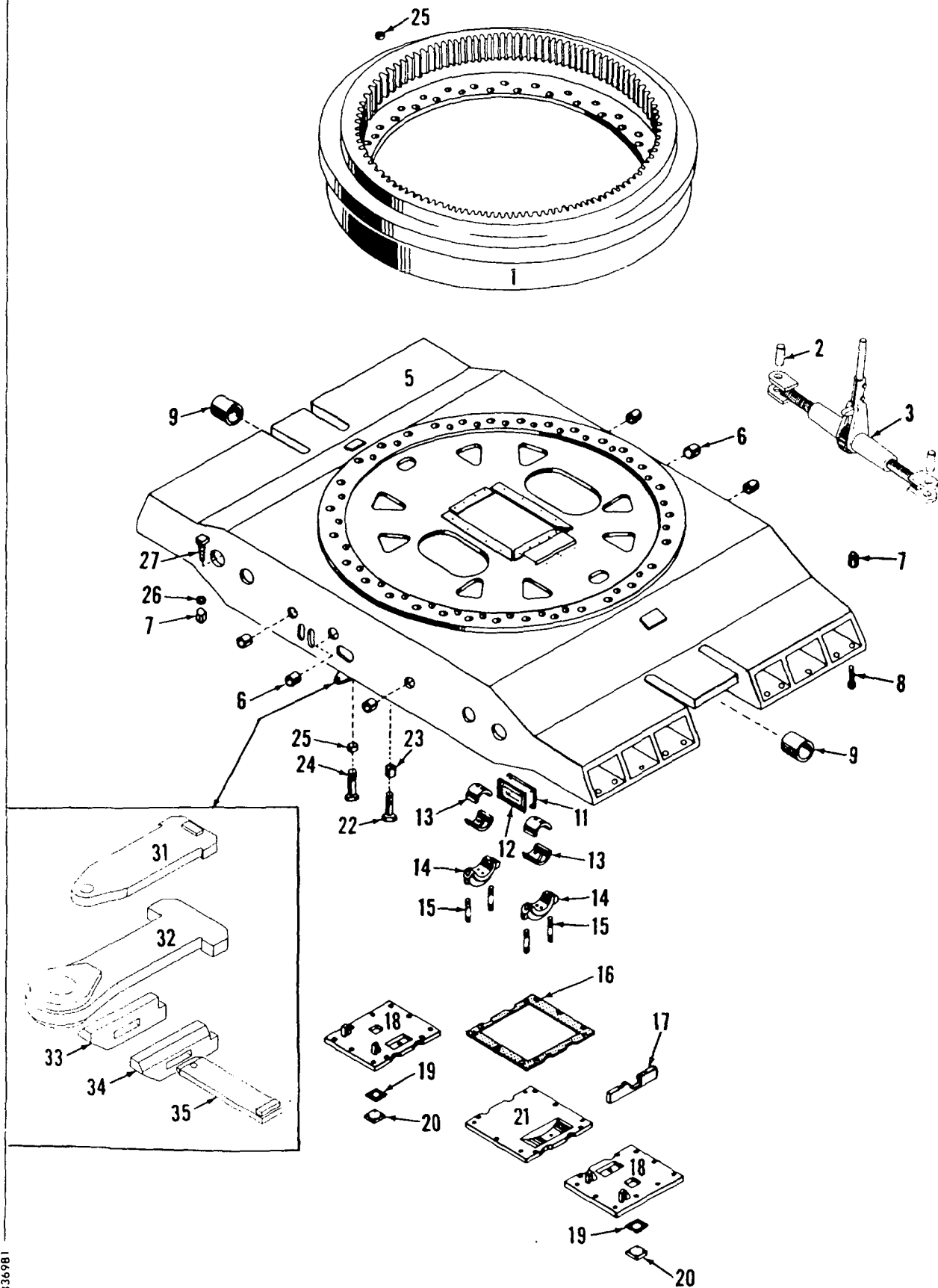
- Please note: If there is no response to CLICKING the link, please download this PDF first and then click on it.

CLICK HERE TO **DOWNLOAD** THE COMPLETE MANUAL

MANITOWOC ENGINEERING CO.

A Division of the Manitowoc Company, Inc.

Manitowoc, Wisconsin

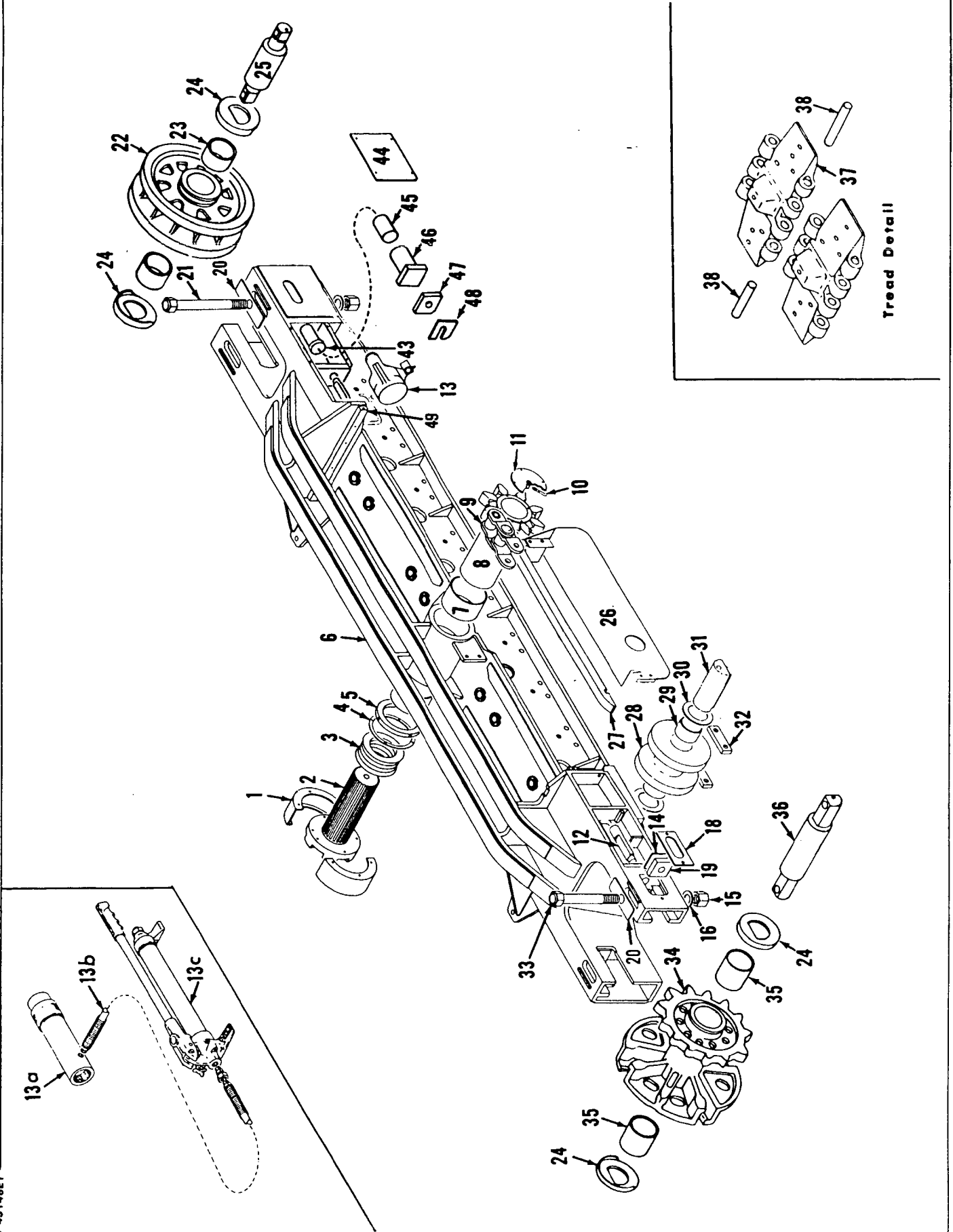


4336981

MATERIAL LIST ON BACK

CARBODY

MASTER



43148E1

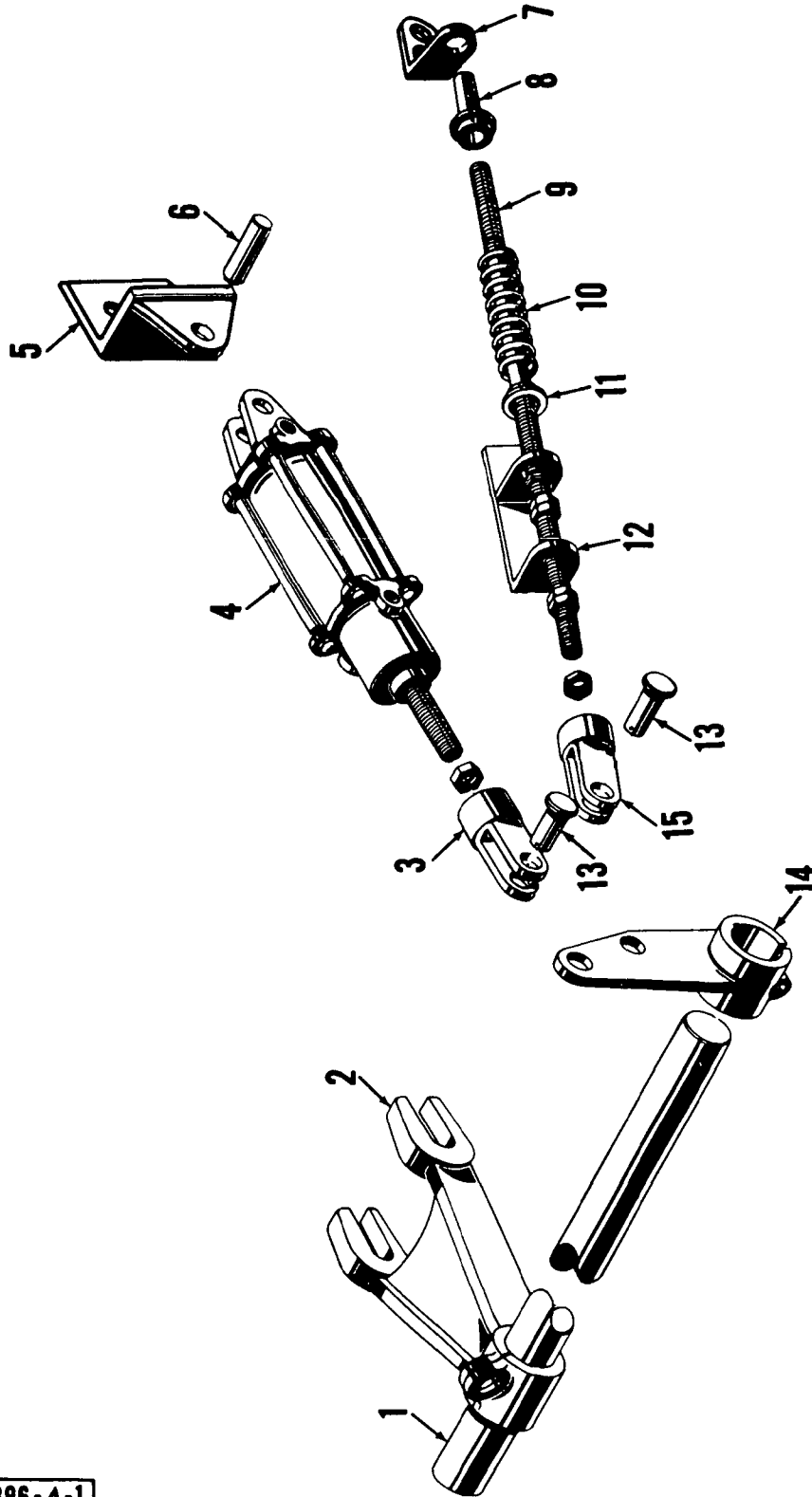
MATERIAL LIST ON BACK

CRAWLERS

MANITOWOC ENGINEERING CO

A Division of The Manitowoc Company Inc

Manitowoc, Wisconsin



ILLUST No 42396-A-1

MATERIAL LIST ON BACK

STEERING CONTROL

GROUP F - Attachments

49263-1 Cont.	REV. B	MODEL 4000W
---------------	--------	-------------

GANTRY AND BACKHITCH

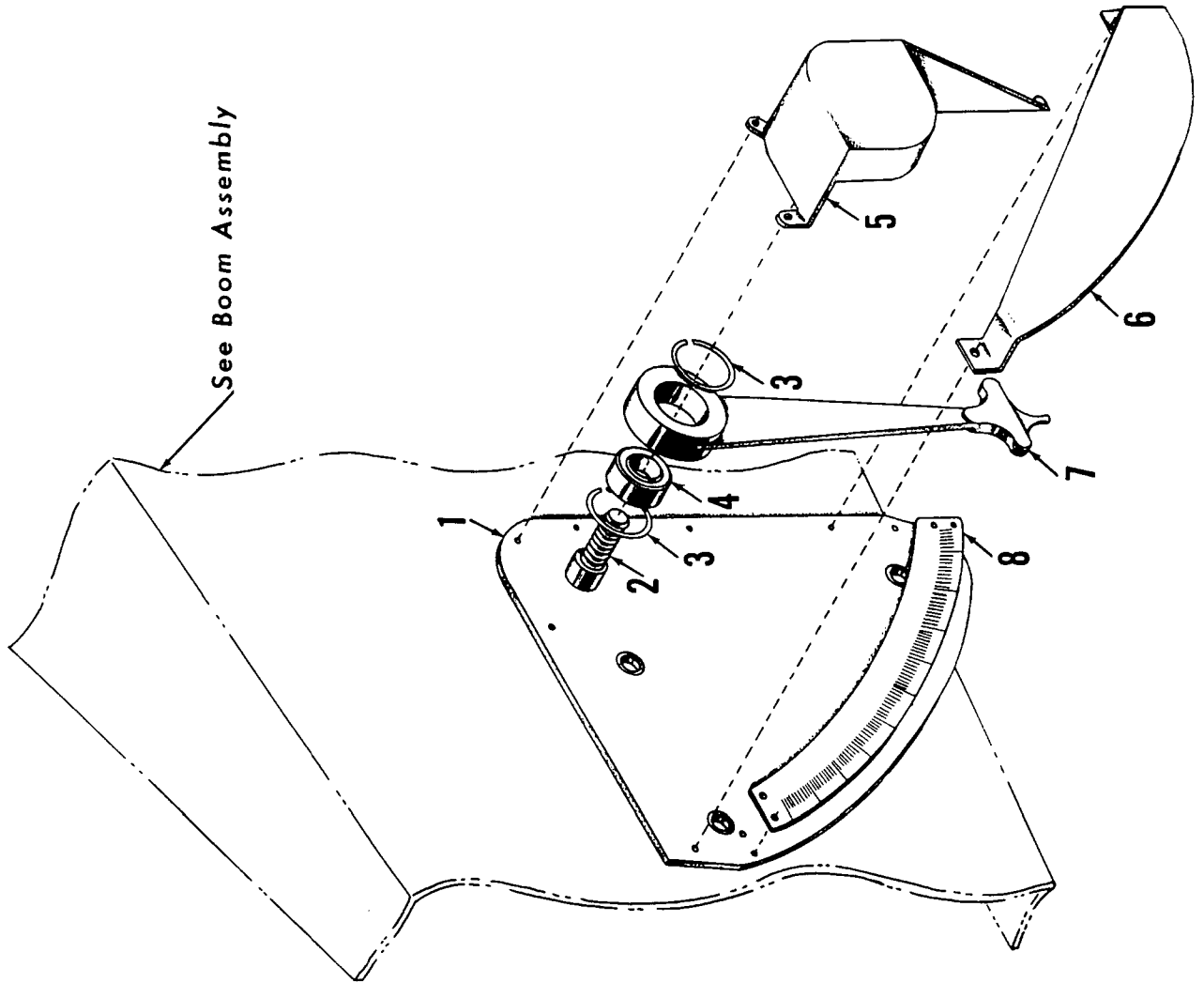
REF. NO.	PART NUMBER	QUANTITY REQUIRED	DESCRIPTION OF PART	VENDORS PART NO.
44	18251	2	WASHER (12 part line)	
51	136571	2	SPACER	
<u>FOR TOWER CRANE ONLY (SEE NOTE 1)</u>				
50	180219	1	GUIDE, Right Wire Rope W/capscrews, hex nuts and lockwashers	
50	180220	1	GUIDE, Left Wire Rope W/capscrews, hex nuts and lockwashers	
<u>TIE-DOWN TO 1ST OR 2ND COUNTERWEIGHT</u>				
46	79241	2	STRAP, Anchor	
47	79244	2	LUG, Tie	
	79276	2	BOLT	
48	12360	2	PIN, Tie-Down W/cotter pins	
<u>TIE-DOWN TO CAB REAR</u>				
48	12360	2	PIN, Tie-Down W/cotter pins	
49	77747	2	STRAP, Anchor	
<u>VERTICAL SHEAVES W/TANDEM SPHERICAL BEARINGS</u> (Delete Sheave Assembly #73803)				
	138214	6	SHEAVE ASSEMBLY	
38a	93175	6	SHEAVE (22-1/2" O.D.)	
39a	225504	12	BEARING, Spherical Roller	
40a	596071	6	RING, Snap	
<p>NOTE 1: To secure gantry in position for Tower Operation, an additional pair of Ref. #13, pin #138888 are needed to pin Ref. #11, link #77751 to counterweight.</p> <p>NOTE 2: For machines W/Rear Aux. Drum Ref. Nos. 23-29 Incl. and Ref. #19 are omitted. See "Wire Rope Guide and Gantry Support" page #71.</p>				
				REV. B
				49263 - 1

PLEASE GIVE MACHINE S/N W/ORDER

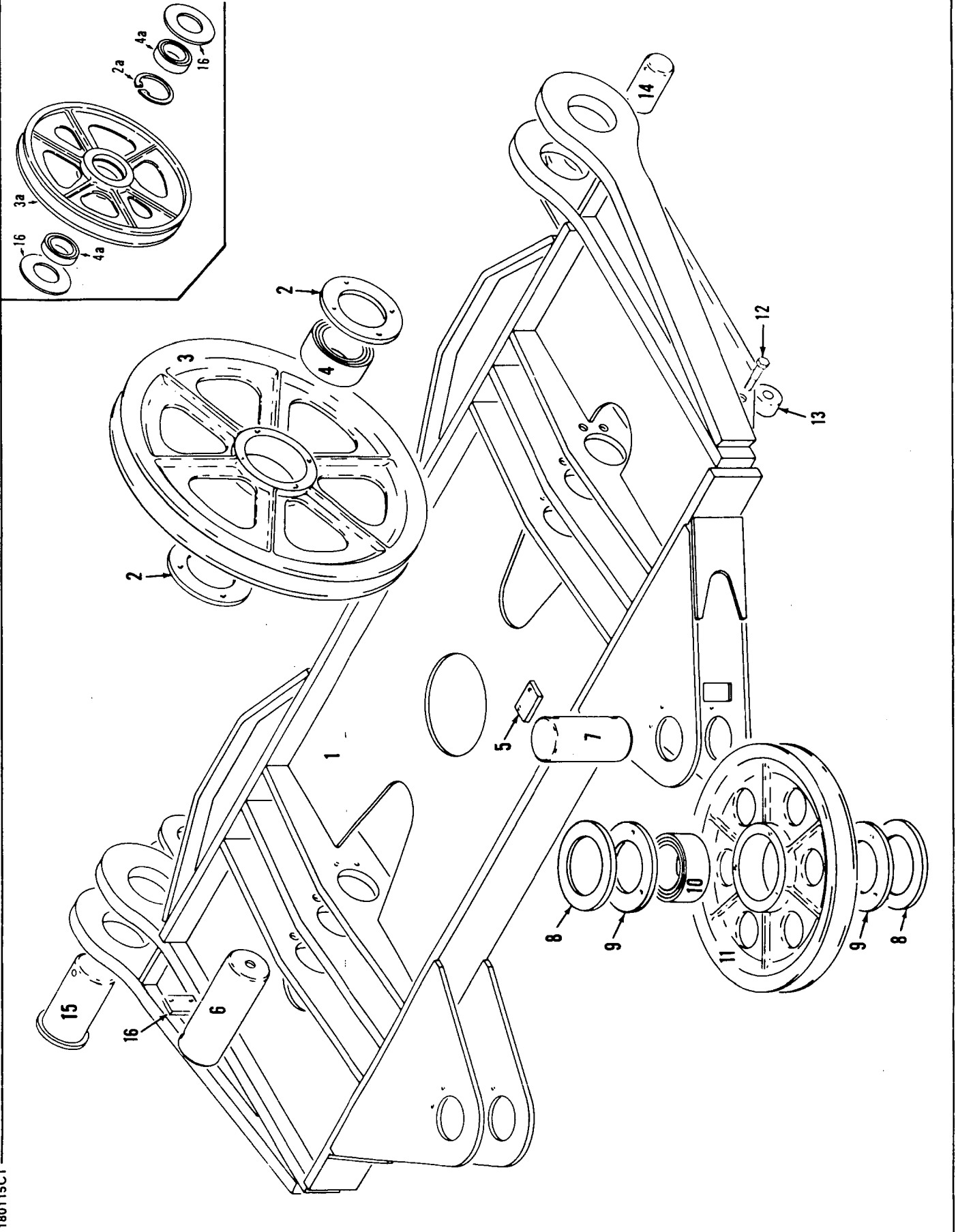
MACHINE

REVISIONS

DATE



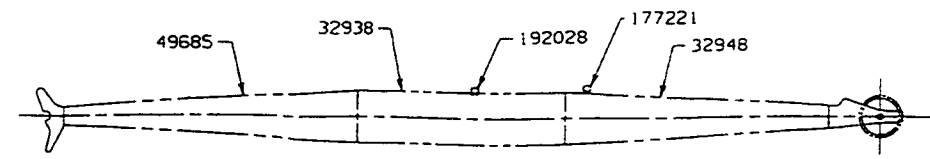
See Boom Assembly



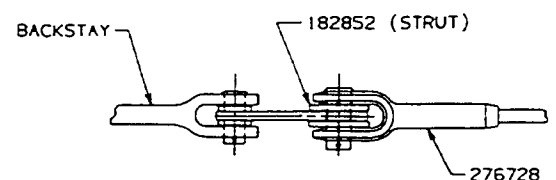
180115C1

MATERIAL LIST ON BACK

EQUALIZER



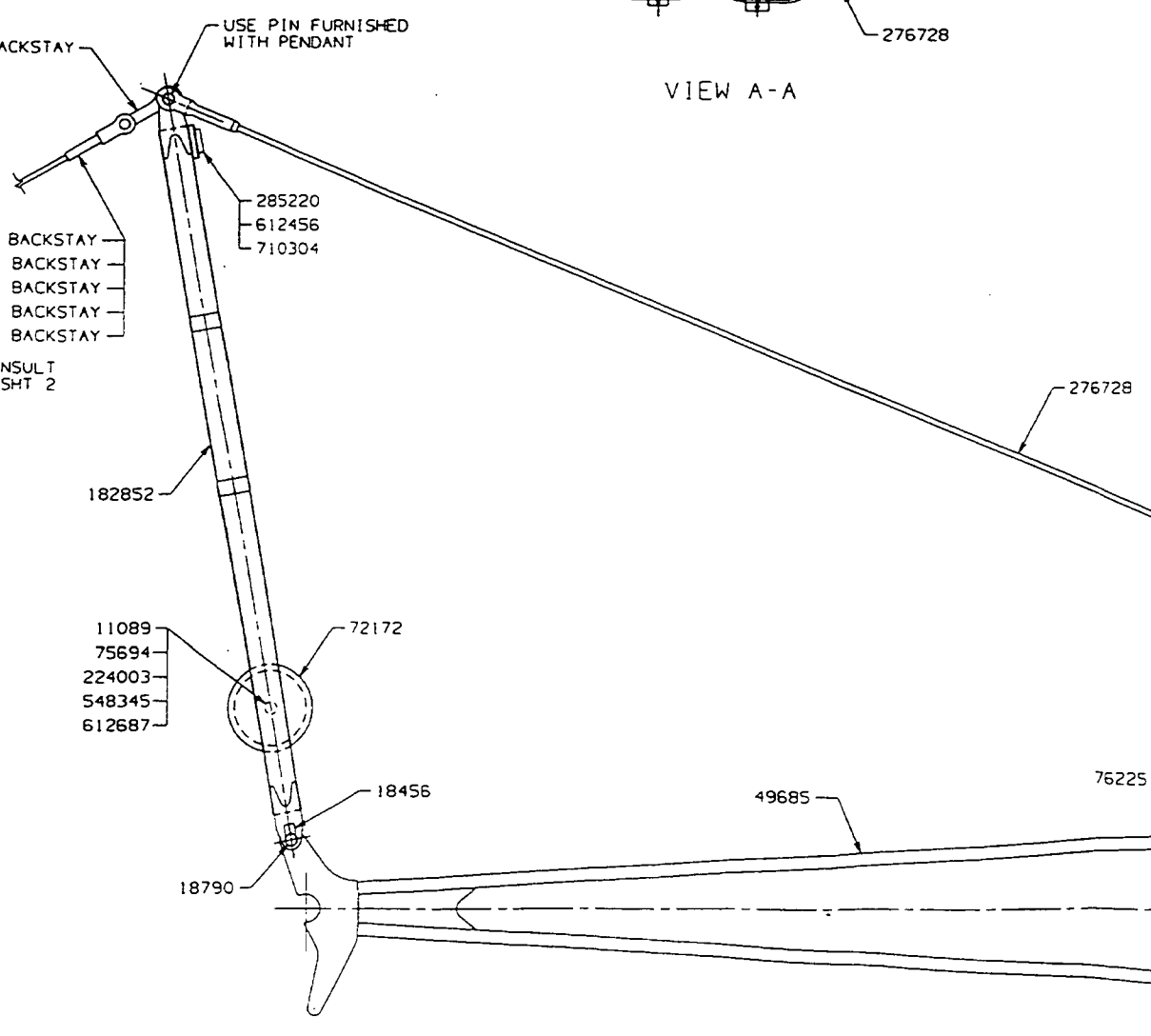
VIEW OF 40' JIB WITH WIRE ROPE ROLLER GUIDE



VIEW A-A

USE PIN FURNISHED WITH PENDANT

SEE JIB BACKSTAY ASSEMBLY



- H 181815 REF PENDANT BACKSTAY
- 75055 REF WIRE ROPE BACKSTAY
- 48659 REF PENDANT BACKSTAY
- 181311 REF PENDANT BACKSTAY
- 181434 REF PENDANT BACKSTAY

FOR BACKSTAY CONSULT PROPER VIEW ON SHT 2

FOR BOOM 22 & 22A HAMMERHEAD 2 PIECE-50920-ADD		
C	2	LOCKING PLATE 139849
	2	END PLATE 79306
F	2	JIB STOP ASSEMBLY 140408
	2	PIN 139676
FOR BOOM #9-15FT HAMMERHEAD 2 PIECE-ADD		
A	2	LOCKING PLATE 139849
FOR BOOM #9A-3FT HAMMERHEAD DEEP SECTION-ADD		
	6	PIN 13310
	2	JIB LOCKING PLATE 139058
D	2	ADAPTOR 139853
	2	PIN 139193
	4	LINK 139728
G	2	LINK 140507

REQ'D. FOR VARIOUS JIB LENGTHS				
JIB LENGTH	10' INSERT DWG NO. 32938	PENDANT NO. 276729 DWG NO. 74958	JIB JOINT PIN NO. 76225	TIMBER 192028
40FT	1	2	4	1
50FT	2	4	8	2
60FT	3	6	12	3

- T 1 276730 & 276731 ARE ON DWG 75023. USE 276730 WITH 0° JIB ANGLE. USE 276731 WITH 10° AND 20° JIB ANGLE.
- 2 #27 LIFT-CLAM
- 3 3900T ONLY

BILL OF MATERIAL				ASSEMBLIES USED ON
ITEM NO.	QTY	DESCRIPTION	MATERIAL	
BASIC PARTS				
	2	WASHER	11089	
	2	KEEPER	18456	
	2	PIN	18790	
	1	JIB TOP (15'-0")	32948	
	1	STRUT (12'-6")	182852	
	1	JIB BUTT (15'-0")	49685	
	1	TIMBER	177221	
	1	SHEAVE	72172	
	2	PIN	75052	
	1	SHEAVE PIN	75694	
	4	PIN	76225	
	1	UNIVERSAL WIRE ROPE ANCHOR JOINT	90317	
	1	JIB POINT SHAFT	90318	
	1	ROLLER BEARING	224003	
	2	PENDANT (33'-3 3/4" ON DWG. 74958)	276728	
	2	RUBBER BUMPER	285220	
	2	.625-11UNC-2B ELASTIC STOP NUT	548345	
	4	.375-16UNC-2A X 1.25 LG HEX SCREW	612456	
	2	.625-11UNC-2A X 5.50 LG HEX SCREW	612687	
	4	.375 LOCKWASHER	710304	

FOR BOOMS #6,7A,8,9,9A,13, 17,22,22A,22C,27,39 & 39A-ADD		
B	2	LOCKING PLATE 139849
K	2	PIN 75025
	4	ADJUSTING LINK 90333
	2	JIB STOP PENDANT 71.25 LG 276730 1
	2	JIB STOP PENDANT 67.62 LG 276731 1
	2	KEEPER 71587 2
M	2	PIN 564093
R	1	STRUT HANDLING ASS'Y FOR 123 JIB 184226 3

FOR BOOM #22 & 22A LIGHT TAPERED TOPS-ADD		
L	2	PIN 75025
	4	ADJUSTING LINK 90333
	2	JIB LOCKING PLATE 139058
E	2	ADAPTOR 139853
	2	PIN 139193
	2	JIB STOP PENDANT 71.25 LG 276730 1
	2	JIB STOP PENDANT 67.62 LG 276731 1
N	2	PIN 564093

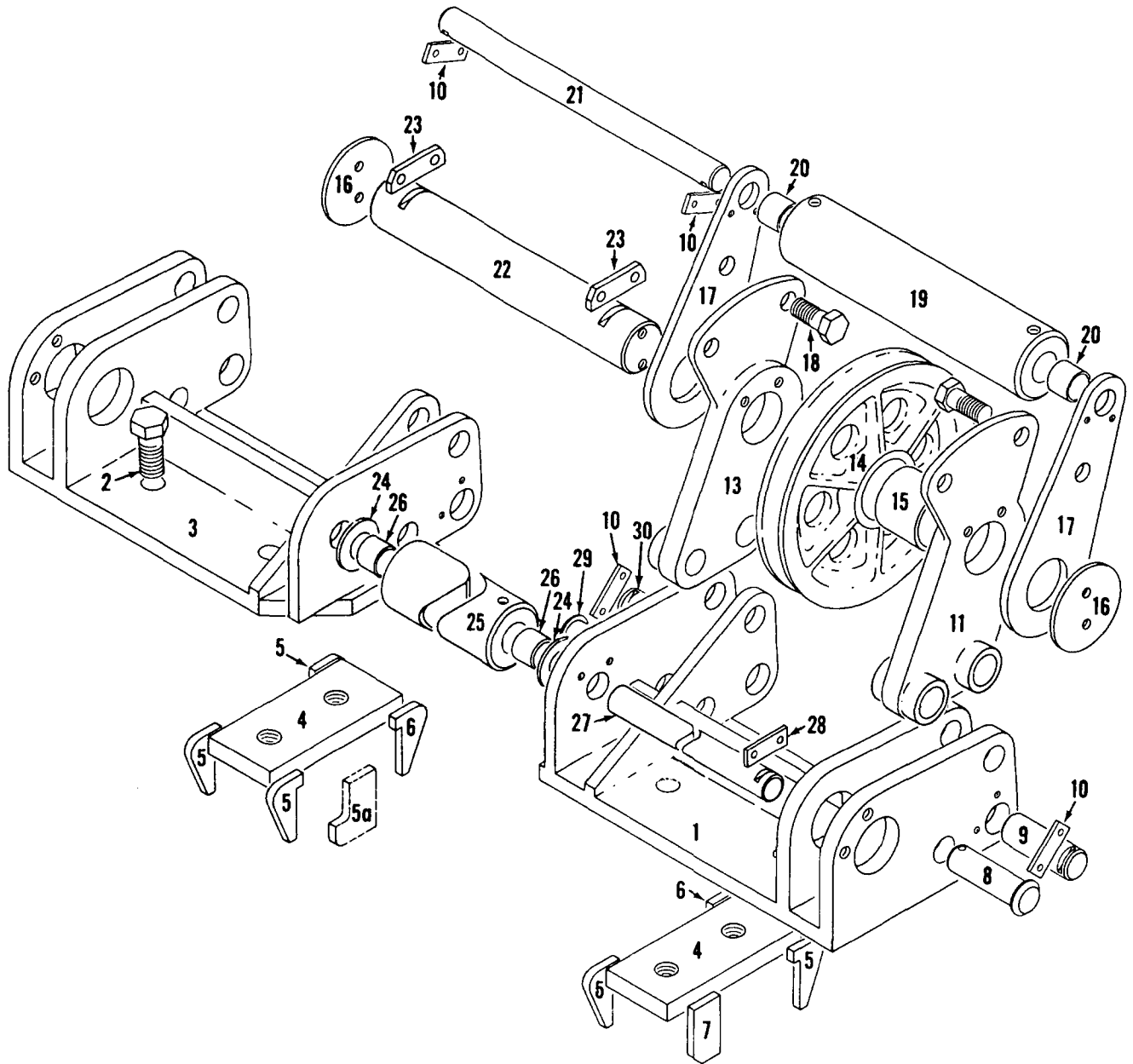
SUPERSEDES 43730 OF 1-27-71

43730	Manitowoc Cranes, Inc. Manitowoc, Wisconsin	#123 TUBULAR JIB ASSEMBLY	DATE: 6-30-71
	3900 THRU 4600	SHEET 1 OF 2	PATTERN NO.
			43730

MANITOWOC ENGINEERING CO.

A Division of The Manitowoc Company, Inc.

Manitowoc, Wisconsin

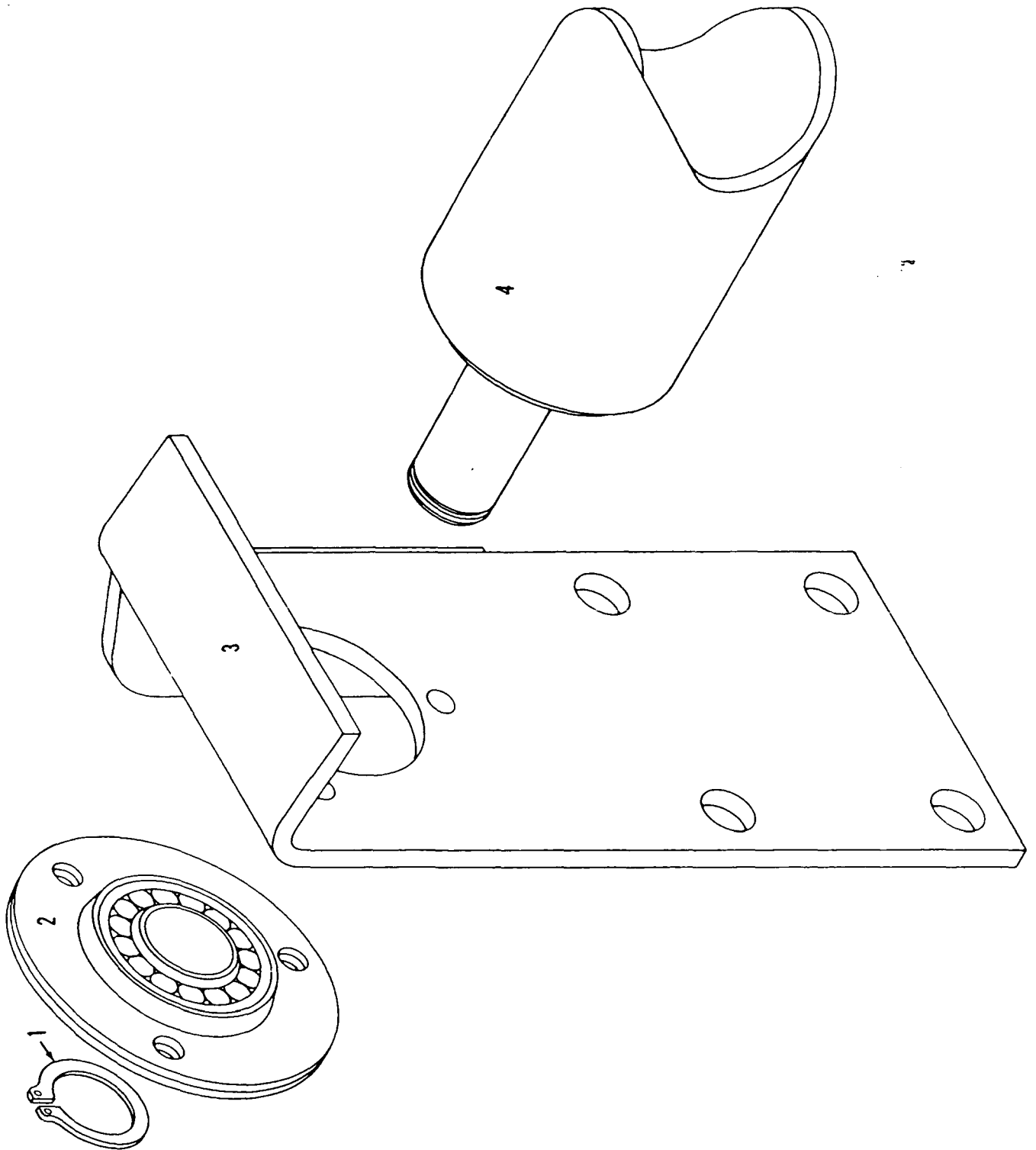


180603B1

MATERIAL LIST ON BACK

WIRE ROPE GUIDE

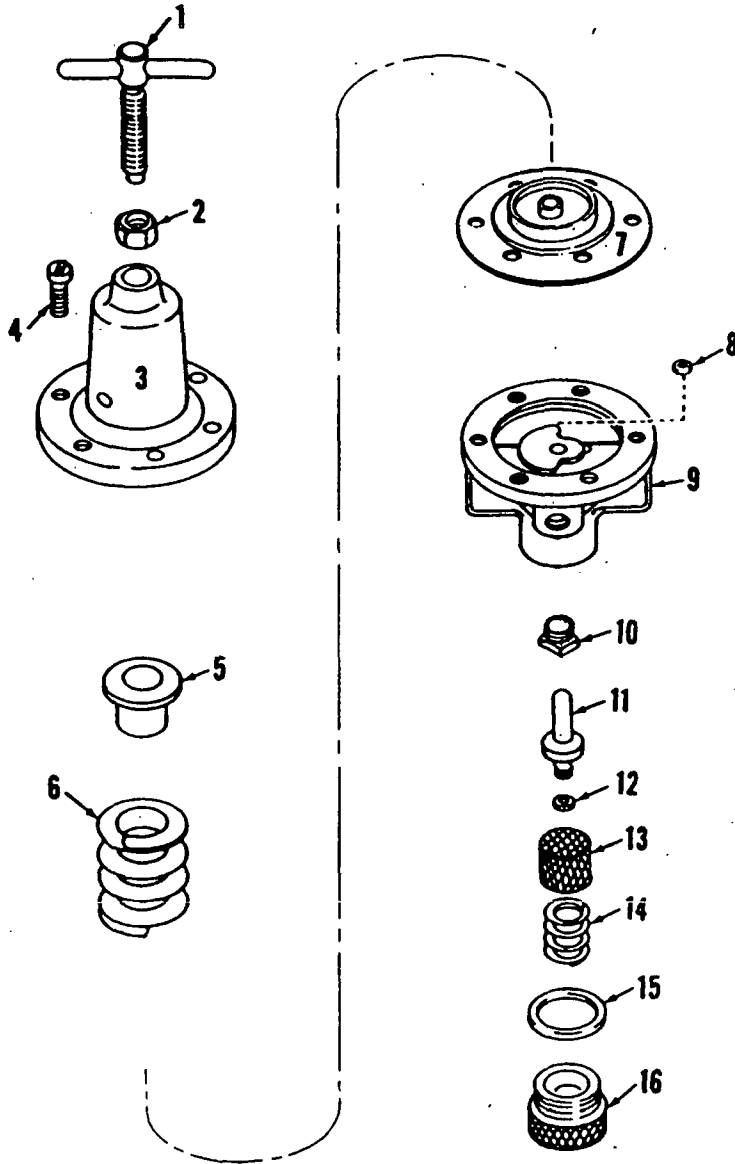
MASTER



77728A1

MATERIAL LIST ON BACK

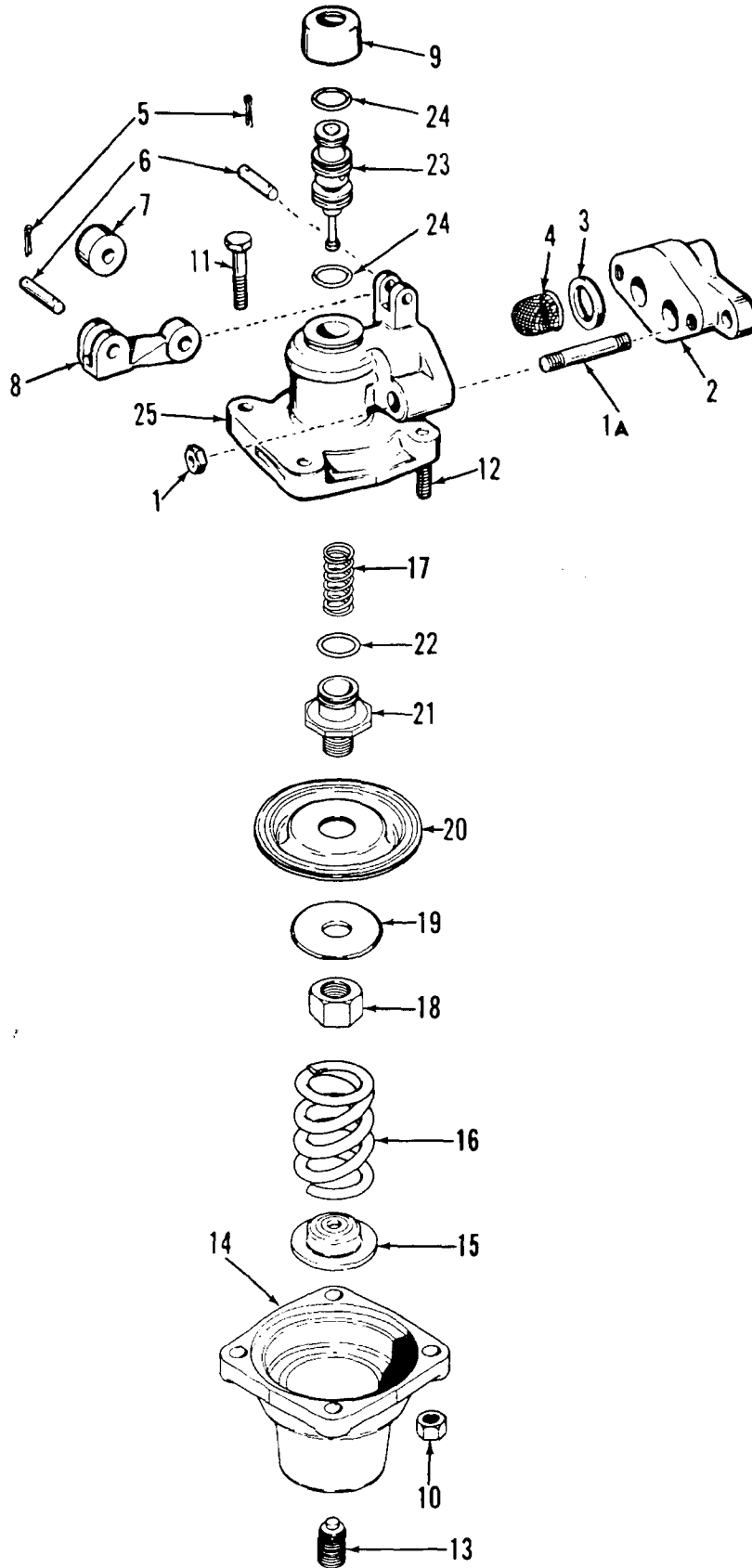
CABLE ROLLER GUIDE ASSEMBLY



MANITOWOC ENGINEERING CO.

A Division of The Manitowoc Company, Inc.

Manitowoc, Wisconsin



O243

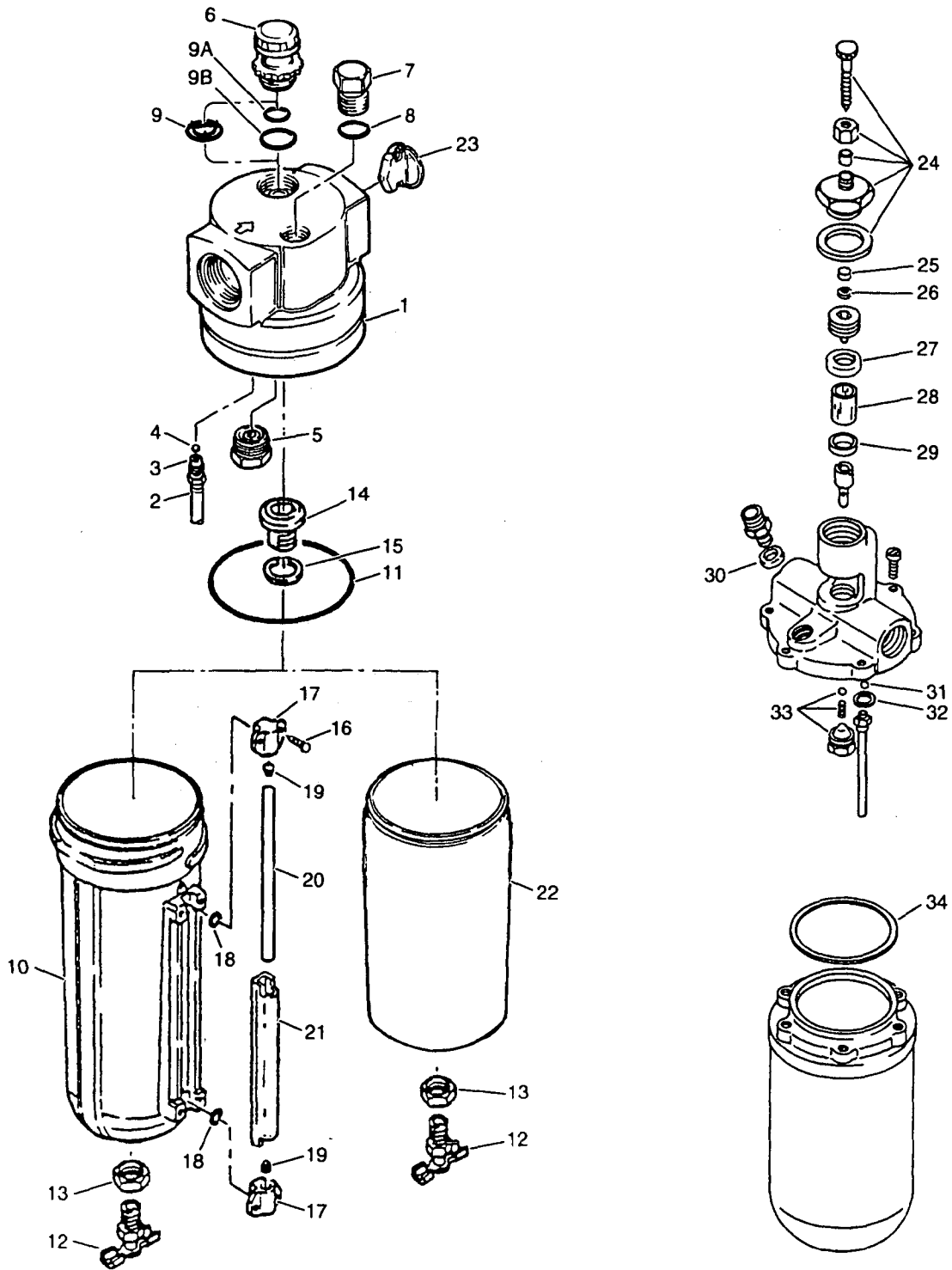
MATERIAL LIST ON BACK

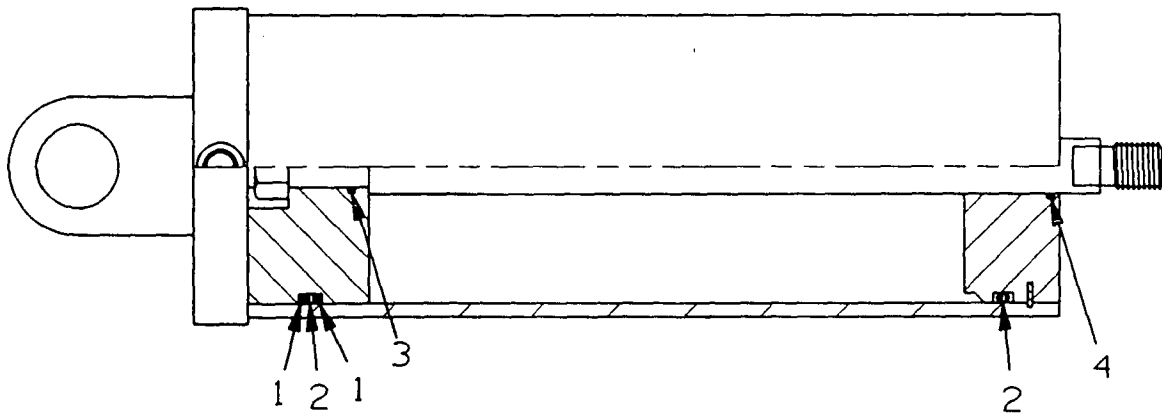
VALVE ASSEMBLY

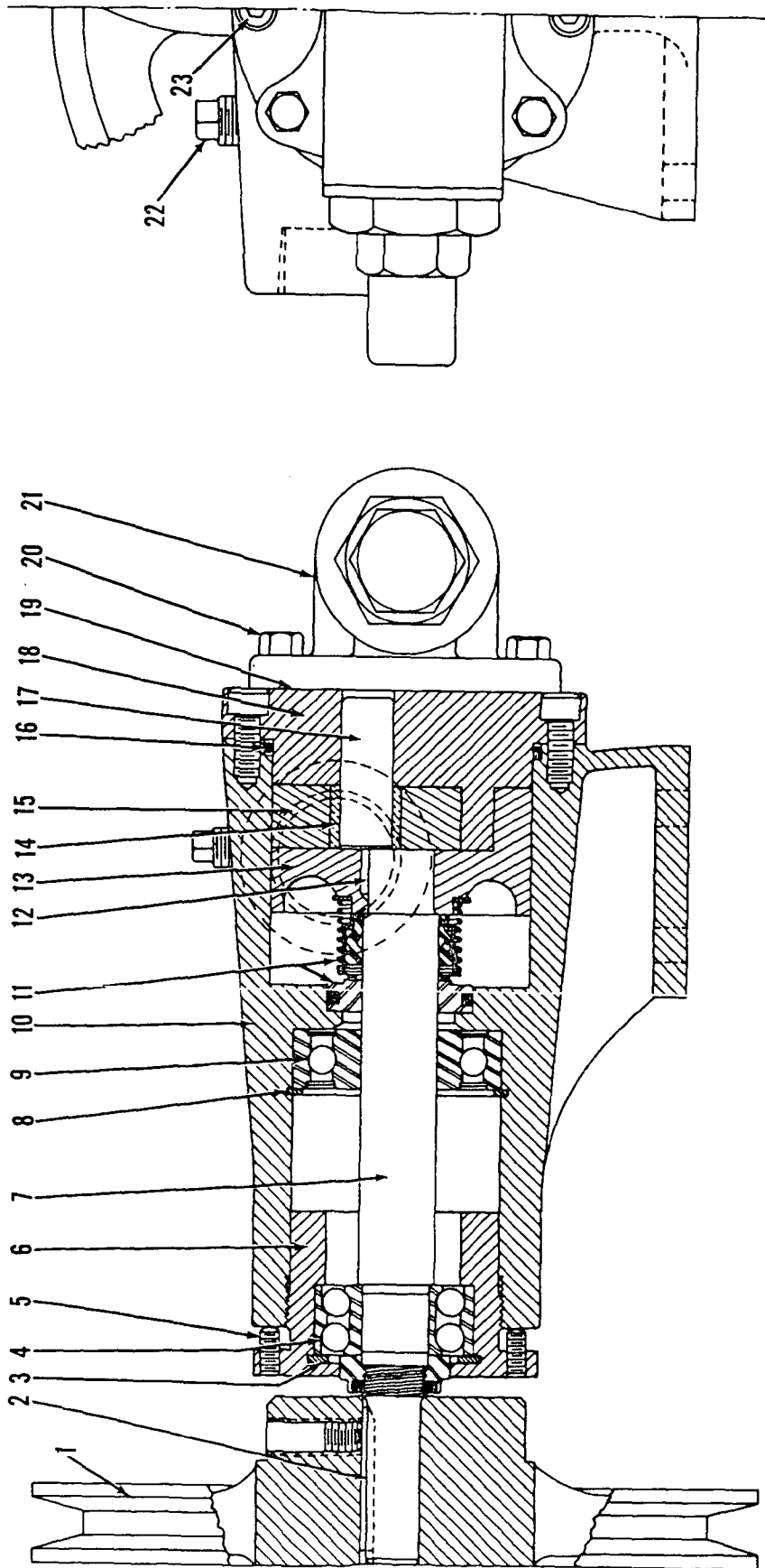
For Tagline Parts List See Manufacturer's Manual in
Attachment Section of Crane Service Manual.

Or, contact manufacturer at following address:

Rudomatic, Inc.
2131 E. 25th St.
Los Angeles, Calif. 90058 USA
Telephone: Area Code 213/582-6314







43051B7

MATERIAL LIST ON BACK

OIL PUMP

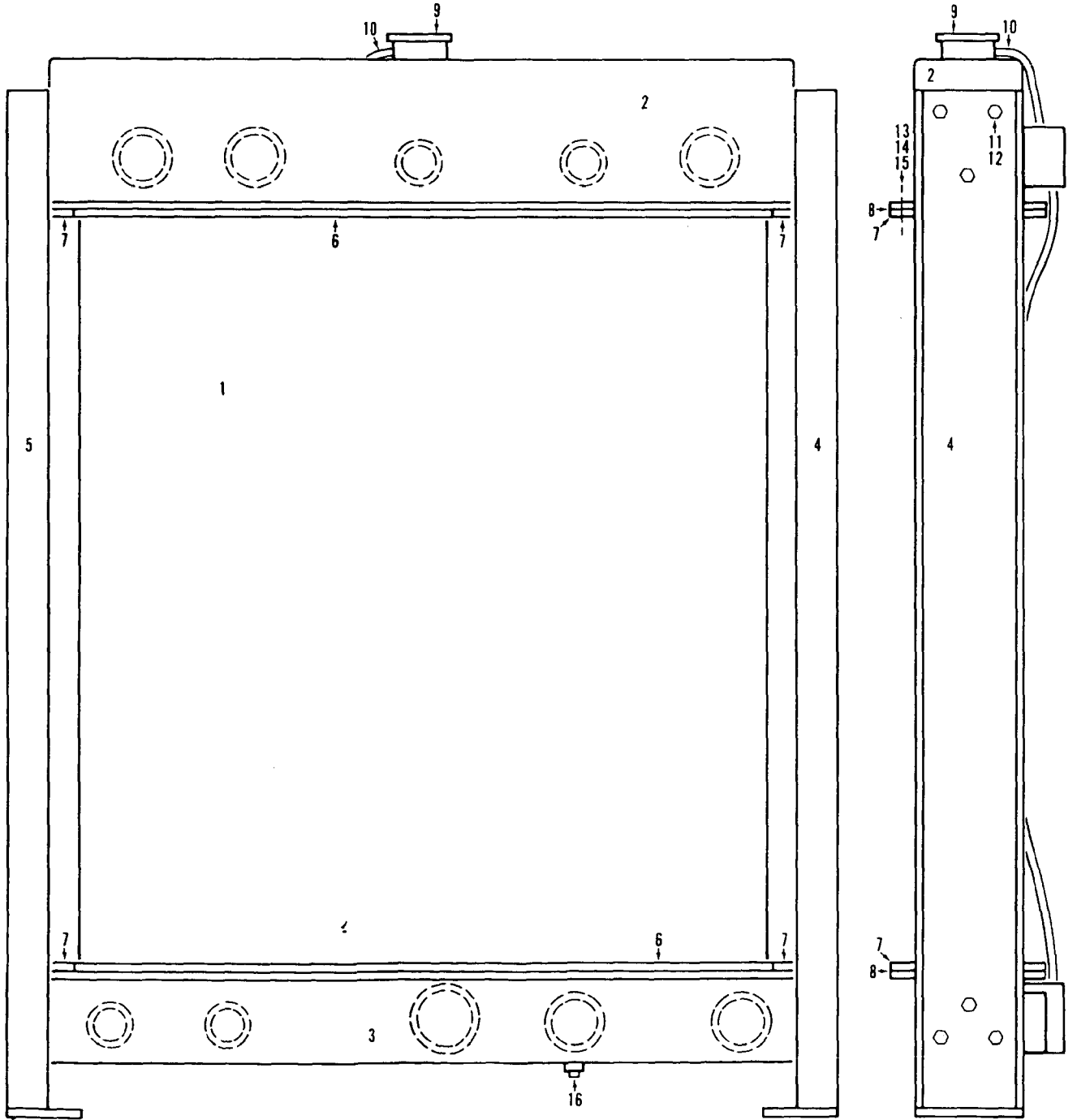
0-407 B7

MANITOWOC ENGINEERING CO.

A Division of The Manitowoc Company, Inc.

Manitowoc, Wisconsin

MASTER



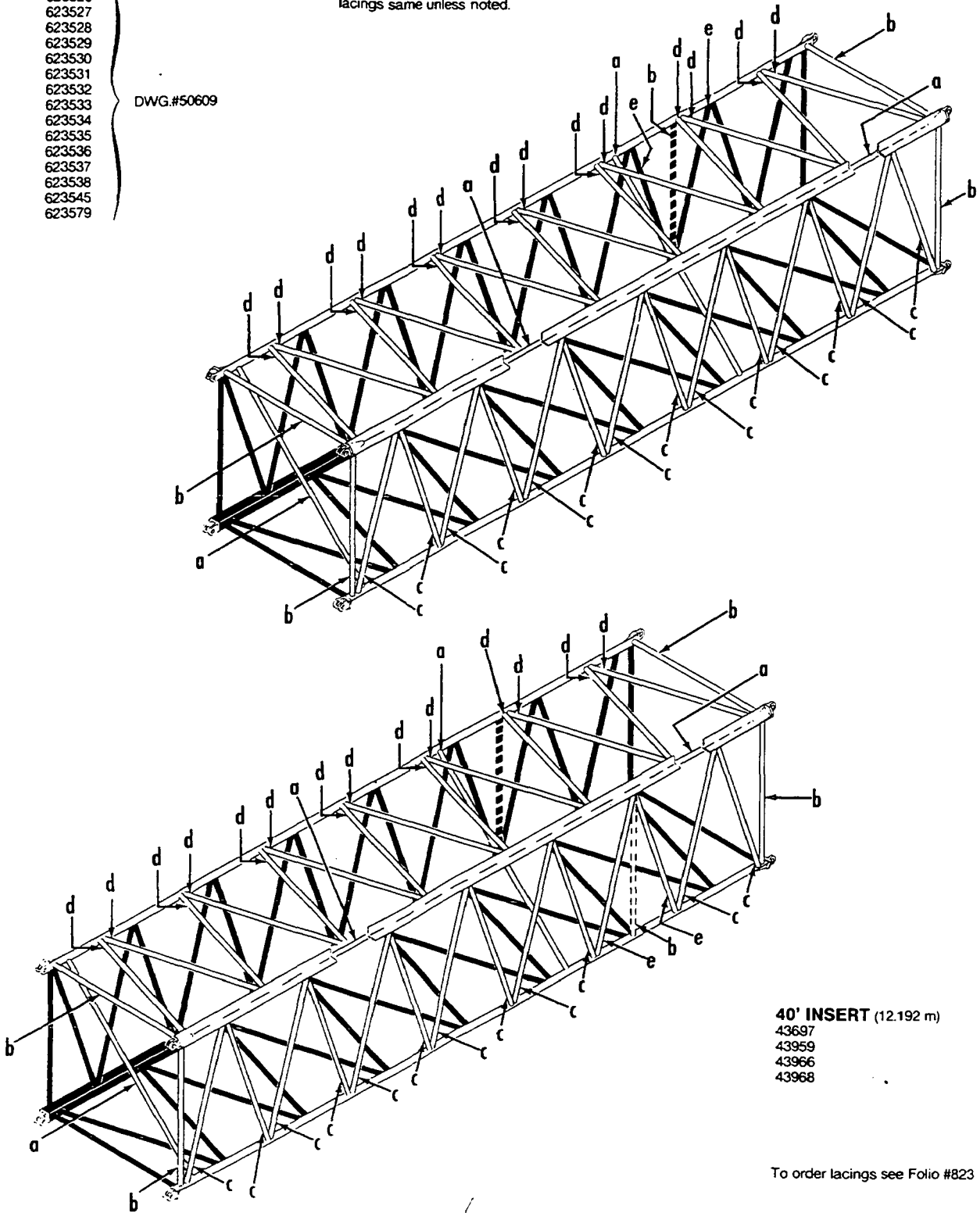
40' INSERT (12.192 m)

- 623525
- 623526
- 623527
- 623528
- 623529
- 623530
- 623531
- 623532
- 623533
- 623534
- 623535
- 623536
- 623537
- 623538
- 623545
- 623579

DWG.#50609

BOOMS #22 & #22A STRAIGHT INSERTS

Left side and bottom lacings black. Opposite lacings same unless noted.



40' INSERT (12.192 m)

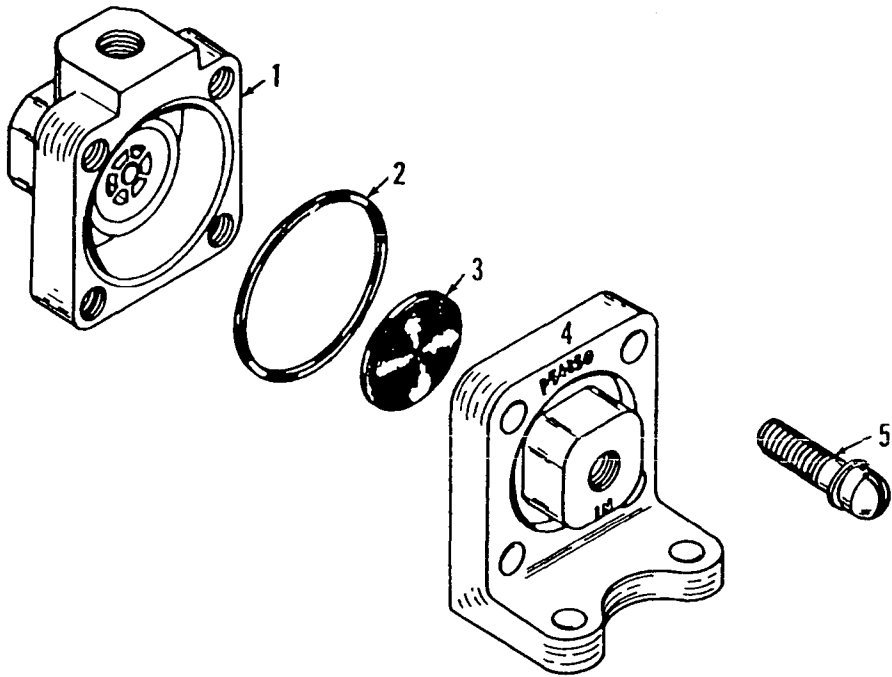
- 43697
- 43959
- 43966
- 43968

To order lacings see Folio #823

MANITOWOC ENGINEERING CO.

A Division of The Manitowoc Company, Inc.

Manitowoc, Wisconsin



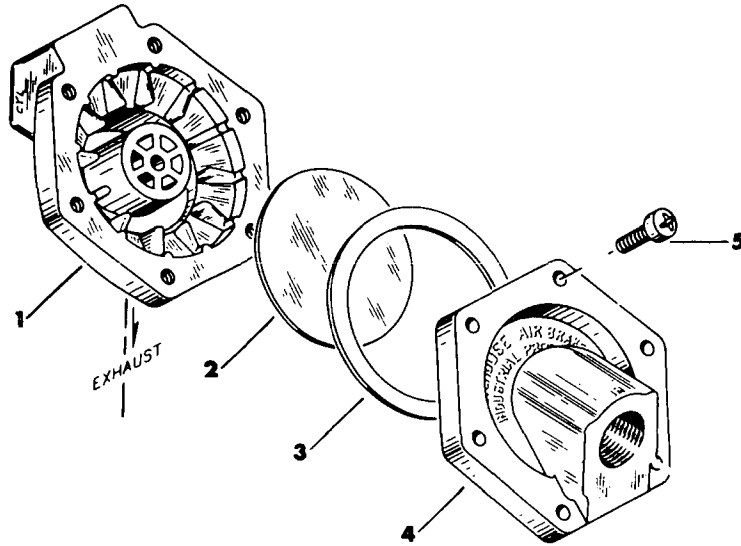
1-63B1

O-63B1

MATERIAL LIST ON BACK

SHUTTLE VALVE ASSEMBLY

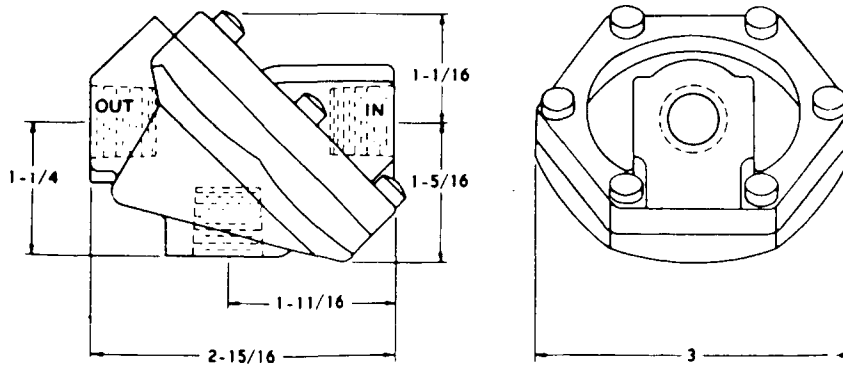
MANITOWOC NO. 714688 - WESTINGHOUSE NO. P52935-3



EXPLODED VIEW

PARTS LIST

Manitowoc Number	Westinghouse Number	Ref. No.	Description
	P52966	1	Body, Valve
714693	P5112	2	Diaphragm
714694	P5111-6	3	Gasket
	P52967	4	Cover, Valve
	P49502	5	Screw, Washer Head



OUTLINE VIEW

Used Approx. 1962 to _____. (See Reverse Side of Sheet)

Index

CLICK HERE TO **DOWNLOAD** THE COMPLETE MANUAL

- Thank you very much for reading the preview of the manual.
- You can download the complete manual from: www.heydownloads.com by clicking the link below



- Please note: If there is no response to CLICKING the link, please download this PDF first and then click on it.

CLICK HERE TO **DOWNLOAD** THE COMPLETE MANUAL