



TRADITIONAL CRANE PARTS MANUAL

This manual has been prepared for and is considered part of

3900

Model

39463

Serial Number

GROUP A = Rotating Structure (Includes rotating bed, operator's cab, cases, fuel tanks, transfer pump, counterweights, guards, platforms, catwalks, machinery enclosure, horn)

GROUP B = Upperworks Machinery (Includes front, rear, and auxiliary drums, boom hoist, swing and drive shafts, hand levers, foot pedals, control linkage, rotation indicators, upperworks hydraulic components, hydraulic piping, hydraulic oil reservoir, lubrication pump and piping, blowers)

GROUP C = Air Components & Electrical (Includes control console, air piping, electric wiring, auxiliary light plant and lighting, TV monitoring, compressor and air tank)

GROUP D = Power Components - Upperworks (Includes engine or motor, radiator, auxiliary power plant, take off converters and piping, controls, VICON power lowering, torque limiter, hydraulic pumps and piping, fuel piping, battery box)

GROUP E = Lower Structure & Control (Includes carbody, crawlers, travel shafts and control, steering travel locks, hydraulic travel, travel power outriggers, carrier, pedestal, lowerworks hydraulic piping, RINGER components, barge mounting and machinery, spud drums)

GROUP F = Attachments (Includes booms, jibs, masts, tower, wire rope guides, equalizer, gantry, fairlead, timber guards, boom angle indicator, block-up limit, tag line, hook block, weight ball, upper and lower boom point, wind speed indicator, crowd and retract dipper sticks, dippers,)

O-NUMBER SECTION = (Includes lacing drawings and purchased component parts drawings referenced in sections A through F)

This manual is arranged in sections as listed above. Sections A through F are arranged by group numerical order with an index after each section tab. An alphabetical index for groups A Through F combined is located after the O-number Section. The O-number section is arranged in numerical order by O-number. Following this cover page are the Basic Specifications, Warranty Information, Tool List (if applicable) Outline Dimensions, Weights, and Dealer Listing.

MANITOWOC CRANES, INC.

2401 South 30th Street • PO Box 70

Manitowoc, WI 54221-0070

Phone: 920-684-6621 • Fax: 920-683-6278

CLICK HERE TO **DOWNLOAD** THE COMPLETE MANUAL

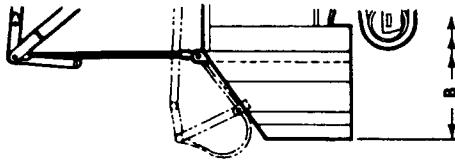
- Thank you very much for reading the preview of the manual.
- You can download the complete manual from: www.heydownloads.com by clicking the link below



- Please note: If there is no response to CLICKING the link, please download this PDF first and then click on it.

CLICK HERE TO **DOWNLOAD** THE COMPLETE MANUAL

DIMENSIONS	D	E
W/CAT. & G.M. VICON	5' 8-7/16" (1.738m)	11' 3-3/16" (3.434m)
W/CUMMINS VICON	5' 7-11/16" (1.719m)	11' 0-7/16" (3.364m)



NOTE 1

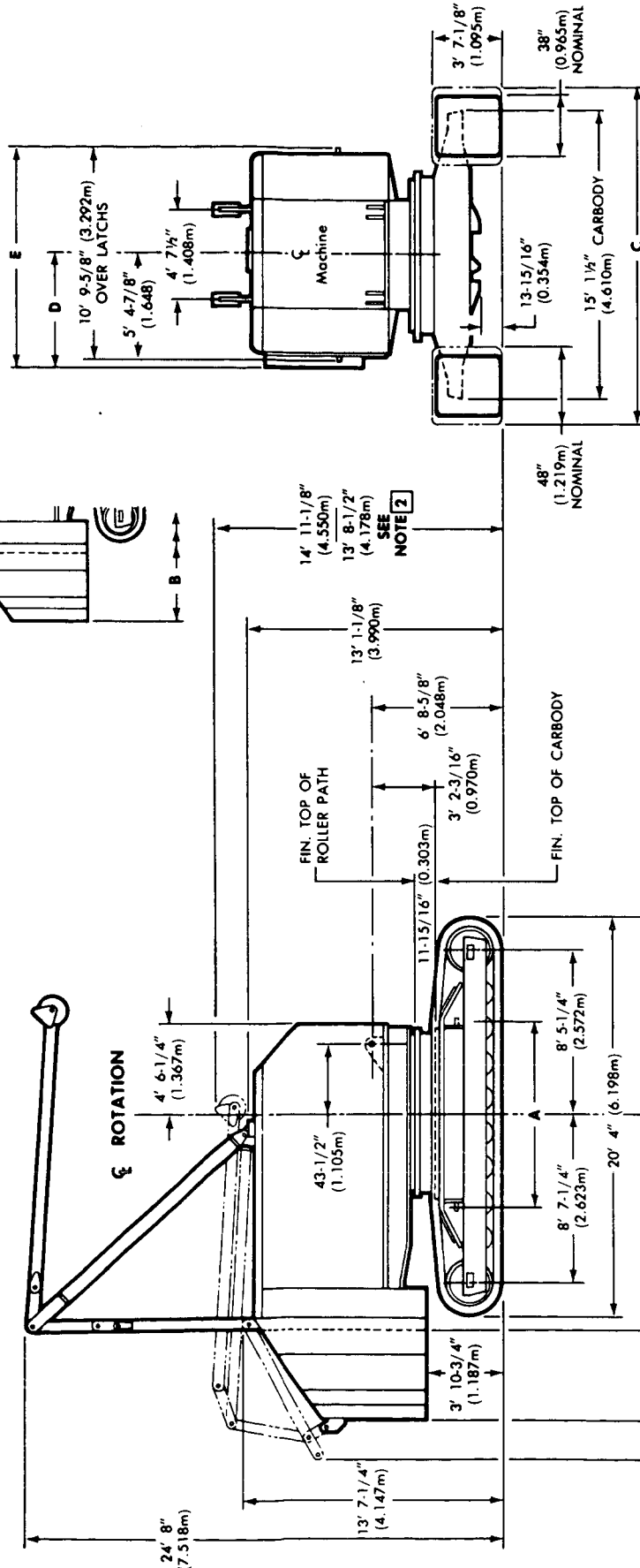
CRAWLER FRAMES MAY BE REMOVED FOR LOADING. REDUCING ALL HEIGHTS 13 IN. USE CAB DIM. 10'-10" FOR LOAD WIDTH.

NOTE 2

SPECIAL LOW CLEARANCE GANTRY 42732 OVERALL CLEARANCE HEIGHT.

NOTE 3

HEIGHT DIMENSIONS SHOWN ARE FOR OUTSIDE DRIVE WITH 48" TREADS.
 WITH 38" TREADS DEDUCT 1/2".
 FOR INSIDE DRIVE WITH 48" TREADS DEDUCT 1/4".
 WITH 38" TREADS DEDUCT 3/4".



DIMENSIONS	B		C
	FLAT OF CTWT.	TAILSWING	
W/INSIDE CRAWLER DRIVE	8' 8-1/2" (2.654)		
W/OUTSIDE CRAWLER DRIVE	9' 11" (3.022m)		
2ND CTWT.	14' 2-7/16" (4.329m)	15' 1-3/8" (4.607m)	
3RD CTWT.	15' 6-15/16" (4.748m)	15' 9-1/8" (4.804m)	
OVER 38" CRAWLERS			16' 8" (5.080m)
OVER 48" CRAWLERS			17' 6" (5.334m)

3900 (100 Ton Machine)

6-15-81
3-21-88
Drwg. Date 5-6-64

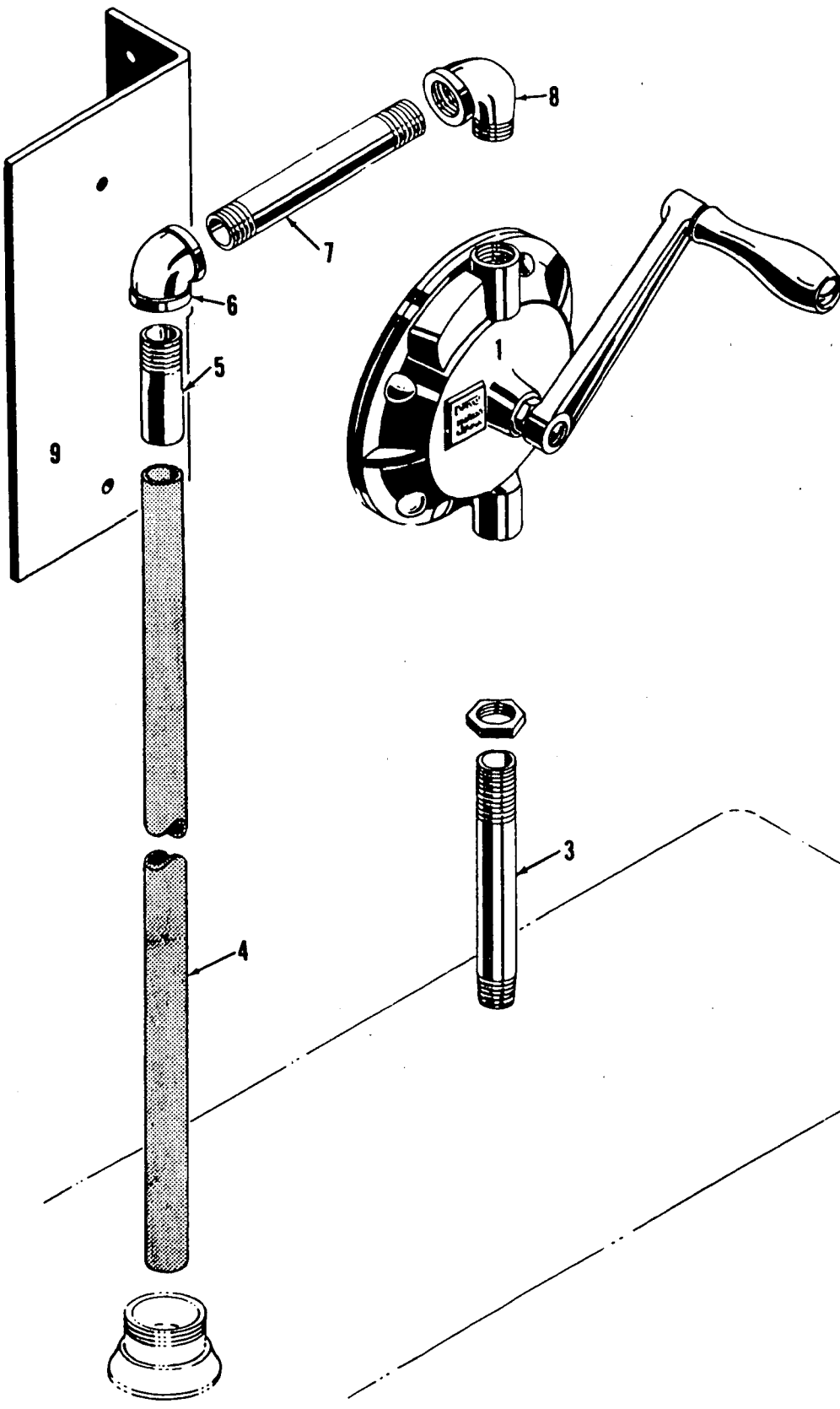
SUPERSEDES DWG. 24273 OF 11-30-60 & 0-1368

OUTLINE DIMENSIONS

MANITOWOC ENGINEERING CO.

A Division of The Manitowoc Company, Inc.

Manitowoc, Wisconsin



MANITOWOC

23415E1

MATERIAL LIST ON BACK

FUEL TRANSFER PUMP

31719-1 Cont.	REV. J	MODEL 3000-3900 Incl.
---------------	--------	-----------------------

CAB

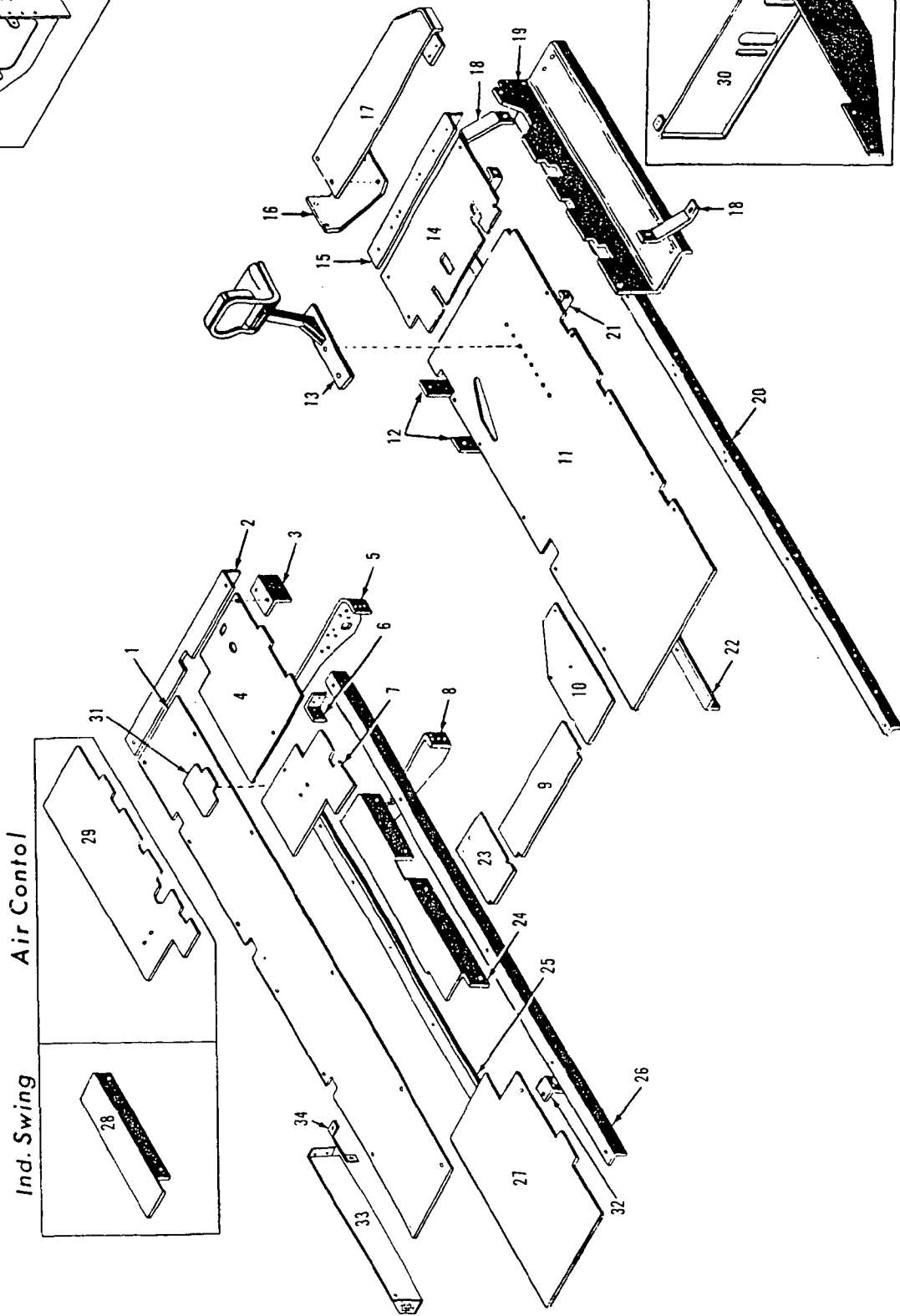
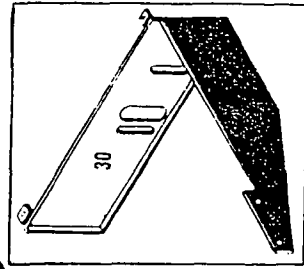
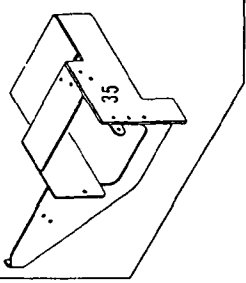
REF. NO.	PART NUMBER	QUANTITY REQUIRED	DESCRIPTION OF PART	VENDORS PART NO.		
			<p><u>NOTE 1:</u> For machines W/Generator mounted inside cab, delete Ref. Nos. 14 and 21 and add:</p>			
	95413	1	ASSEMBLY, Left Side Modification			
14	95412	1	SHEET, Center (35-3/4" wide)			
21	95411	1	SHEET, Front (W/Paddle handle lock #510183 and door for access to generator) W/truss head bolts, hex nuts and lockwashers			
			For complete left side order 31702-6.			
			<p><u>NOTE 2:</u> For machine W/Kohler light plant use the following:</p>			
14	352816	1	SHEET, Middle W/sliding door			
			For complete left side order 31702-8.			
				<table border="1"> <tr> <td data-bbox="1177 1963 1291 2026">REV. J</td> <td data-bbox="1291 1963 1534 2026">31719 - 1</td> </tr> </table>	REV. J	31719 - 1
REV. J	31719 - 1					

RUN AS A FRONT

MASTER

PLEASE GIVE MACHINE S/N W/ORDER

STER



Air Contol

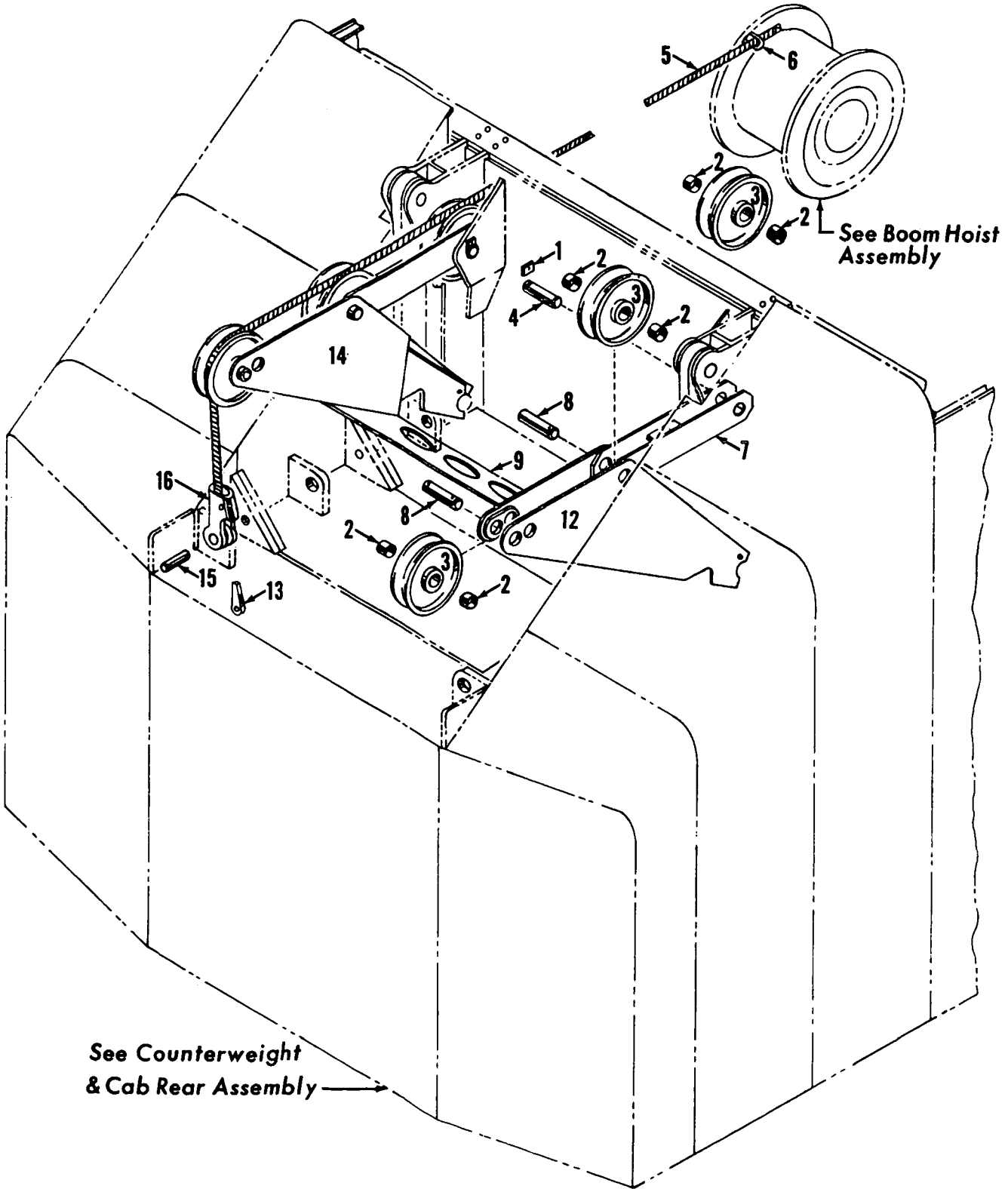
Ind. Swing

42014F1

MATERIAL LIST ON BACK

PLATFORM

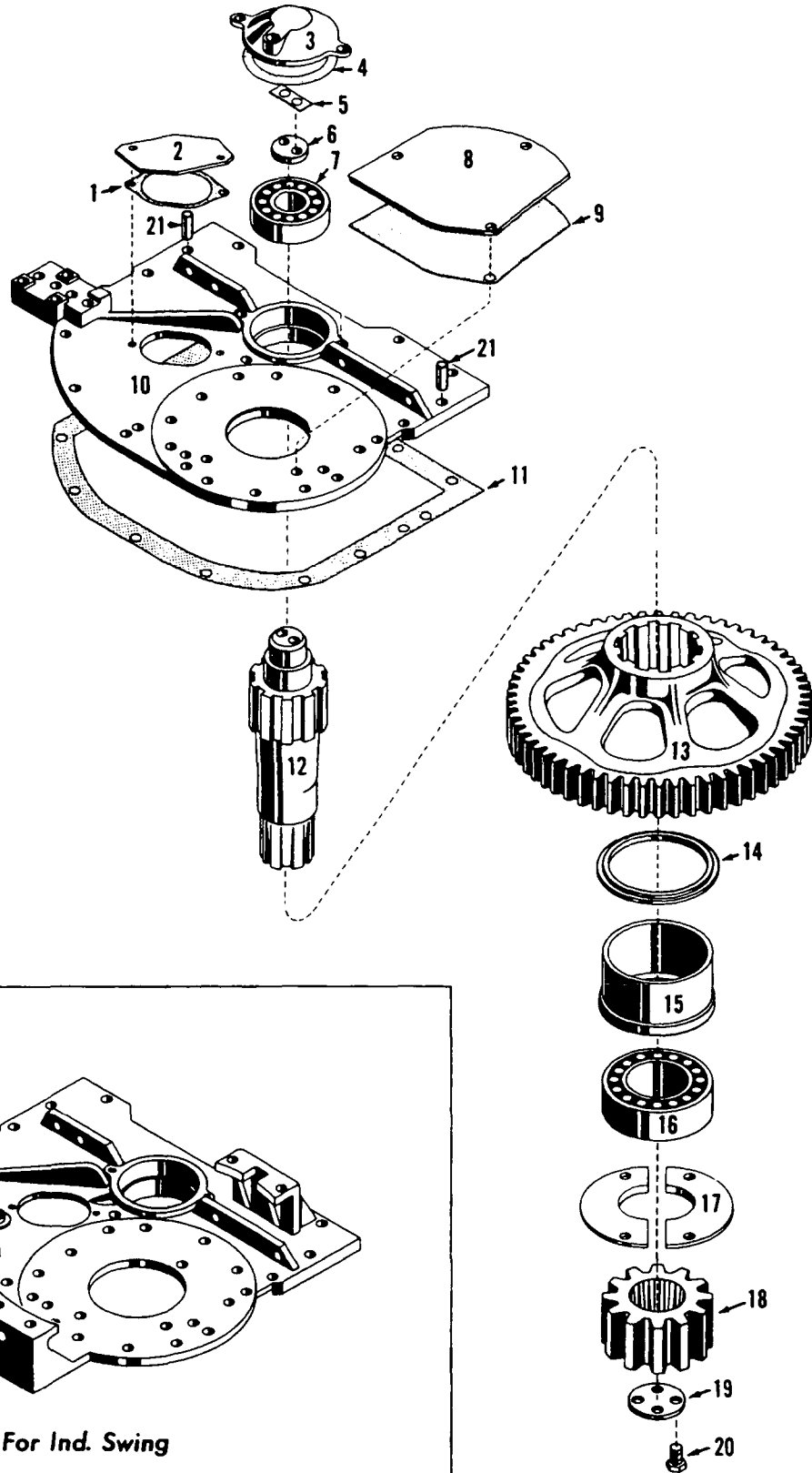
MASTER



COUNTERWEIGHT HANDLING ASSEMBLY

42536 B1

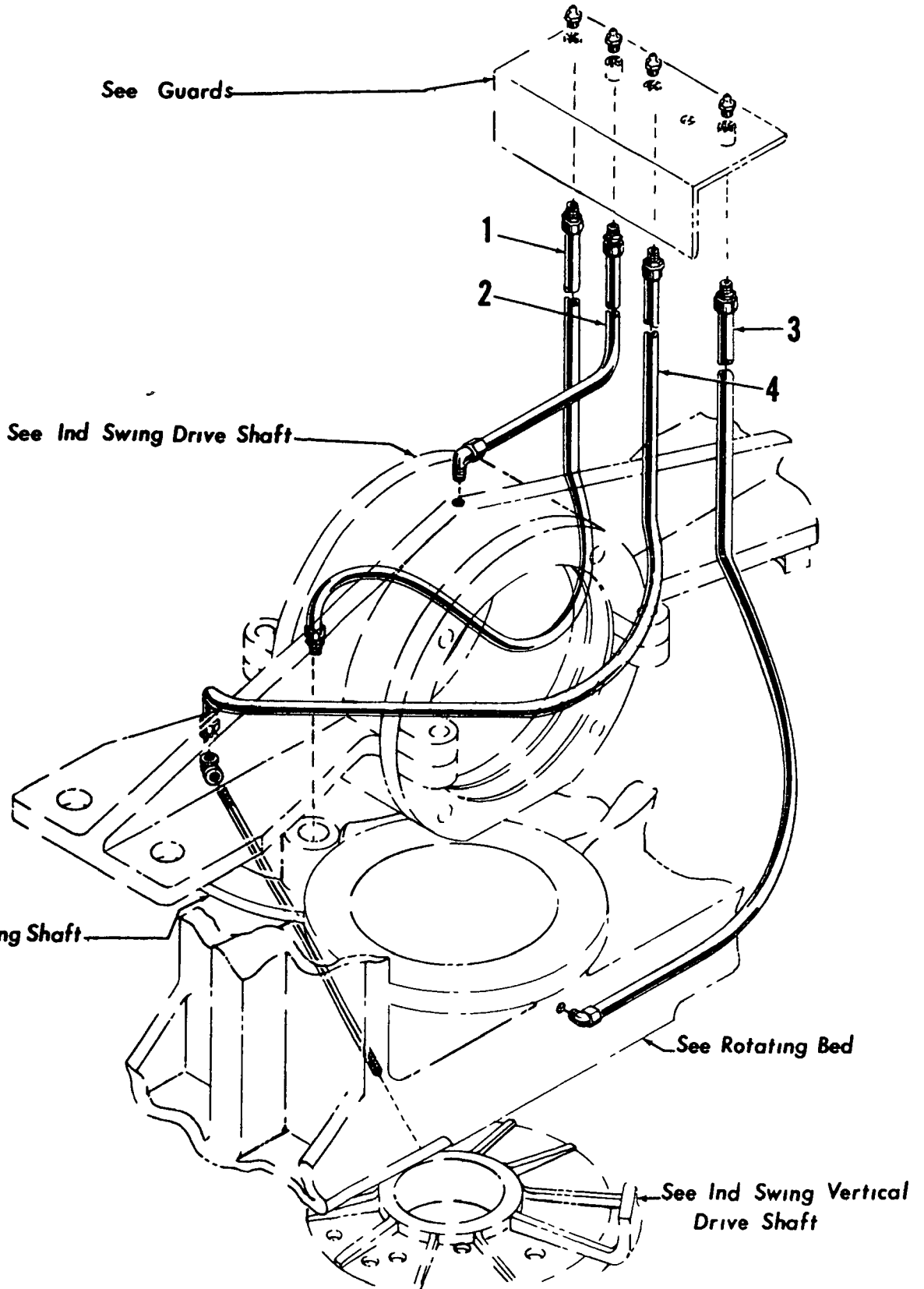
GROUP B - Upperworks Machinery



For Ind. Swing

22880C1

MASTER



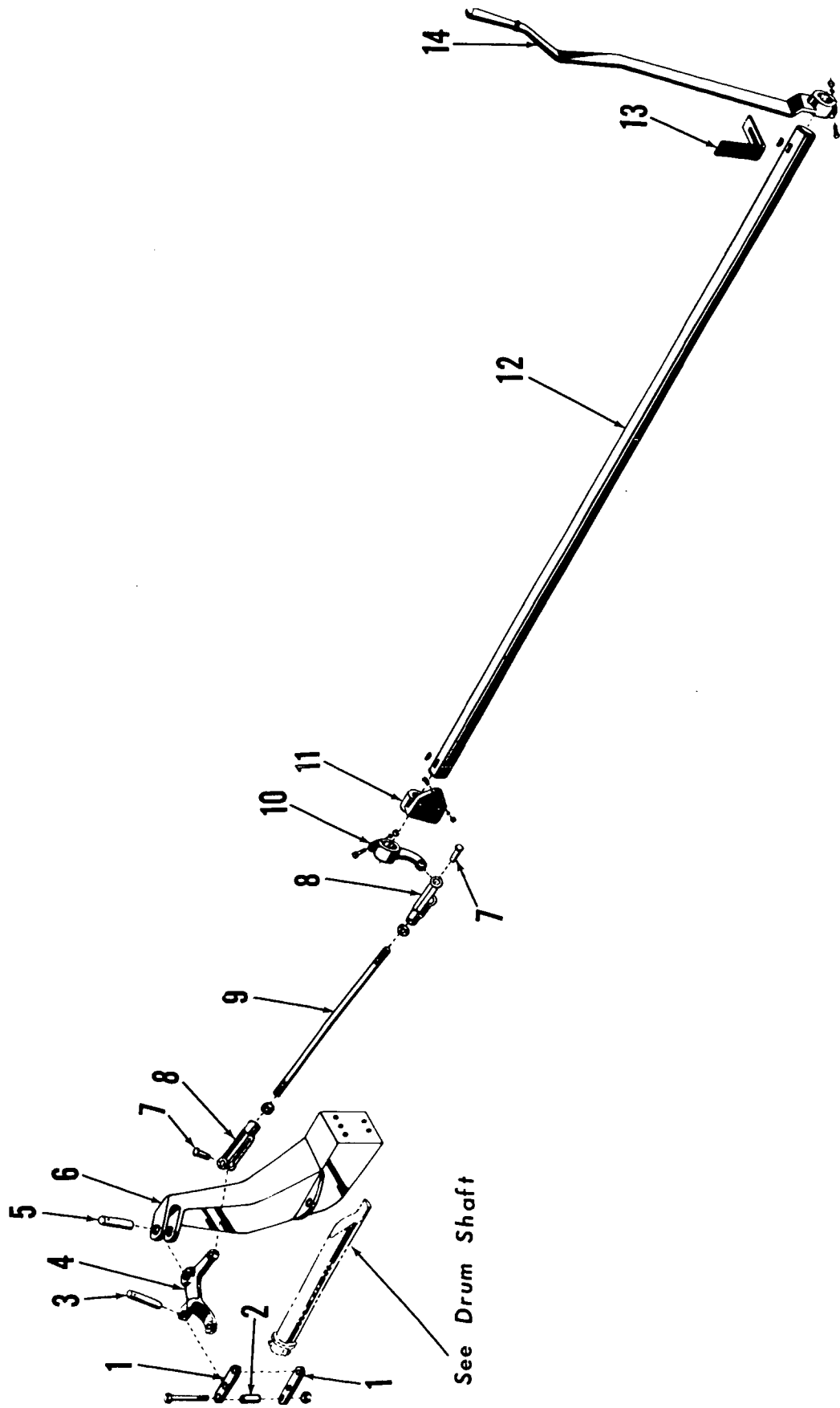
315 402

3157482

MATERIAL LIST ON BACK

IND SWING LUB PIPING

MASTER



41125-A-1

See Drum Shaft

MATERIAL LIST ON BACK

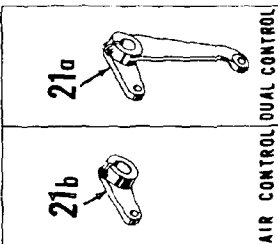
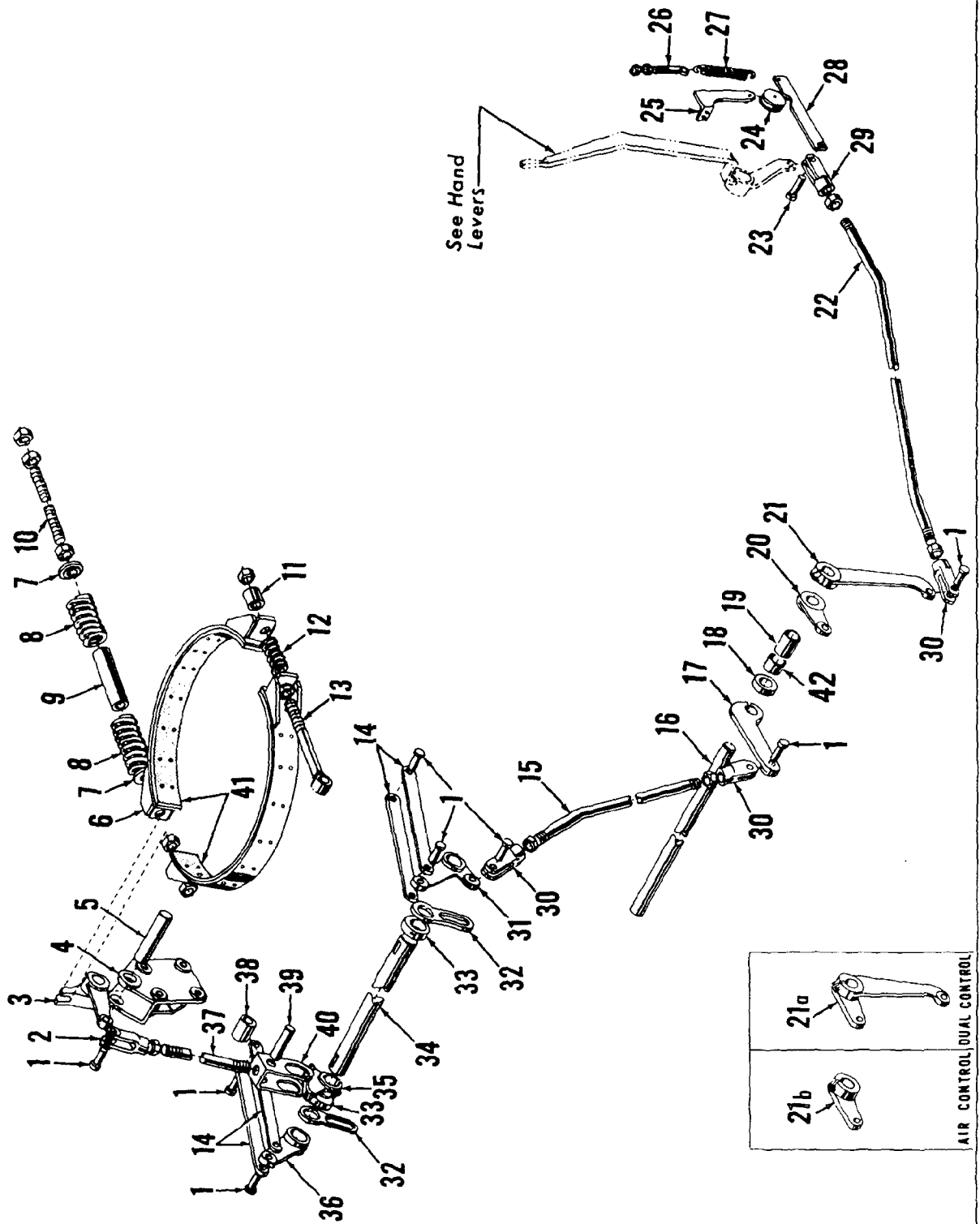
CLUTCH CONTROL - LEFT DRUM

41125 A1

MANITOWOC ENGINEERING CO.

A Division of The Manitowoc Company, Inc.

Manitowoc, Wisconsin



MATERIAL LIST ON BACK

41933 - 1	REV. P	MODEL 3000-3000W-3100-3400-3500-3600-3900
-----------	-----------	--

IND. BOOM HOIST DRIVE SHAFT

REF. NO.	PART NUMBER	QUANTITY REQUIRED	DESCRIPTION OF PART	VENDORS PART NO.
38	596674	2	RING, Snap	
39	225314	4	BEARING, Ball	
40	16656	2	SPACER	
42	17624	2	SPACER	
43	225125	3	LOCKWASHER, Bearing Locknut	
45	17324	2	COLLAR, Thrust w/gr. fitting, capscrew and lockwashers	
46	622498	2	SEAL, Oil	
47	32064*		BRACKET, Center Bearing w/gr. fittings, capscrews and lockwashers (w/Dowel #17575 supersedes #31672 per design change of 5-7-64)	
47	31672	1	BRACKET, Center Bearing w/gr. fittings (Superseded by #32064)	
48	257257	6	BOLT, Coupling (Use with bracket #31672)	
49	17575	2	DOWEL (Use with bracket #32064)	
50	17623	1	SPACER	
51	224121	1	BEARING, Roller	
52	23216*	1	SHAFT, Drive	
44	18147	3	NUT, Lock	
53	19779	1	GUARD, Right	
54	18266	1	SUPPORT w/capscrews and lockwashers	
55	18267	1	SUPPORT w/capscrews and lockwashers	
56	19780	1	GUARD, Left	
<p><u>NOTE 1:</u> On Vicon machines parts #17339, 17340, 18939 and 596705 are replaced by oil seal #24778 and retaining ring #73388.</p> <p><u>NOTE 2:</u> Parts marked * not used on machines w/high speed chain driven boom hoist. Center Bracket #32064 is replaced with bracket #33646 and bearing #22345 replaced by bearing #23668. For remainder of parts on these machines see "Ind. Boom Hoist Drive Shaft Extension on Support."</p> <p><u>NOTE 3:</u> Ref. No. 8 not used on M3900 w/internal hoist ratchet and pawl. See "A" Frame.</p> <p><u>NOTE 4:</u> Pinion changed on M3900 only to #95123 per design change of May 6, 1974. All other models changed to pinion #95123 per design change of Aug. 2, 1979. Prior to these changes pinion #17283 was used. Pinion #95123 must be used w/Drum Gear #182159 (Vicon) or #182264 (Non-Vicon). Pinion #17283 must be used w/Drum Gear #32623 (Vicon) or #32229 (Non-Vicon). Gears and pinions are <u>NOT</u> interchangeable as single pieces. If field conversion is made, the Boom Hoist Shaft Pinion, Drum Gear and Main Drive Shaft Pinion must all be changed.</p>				
				REV. P
				41933 - 1

PLEASE GIVE MACHINE S/N W/ORDER

Run as Front

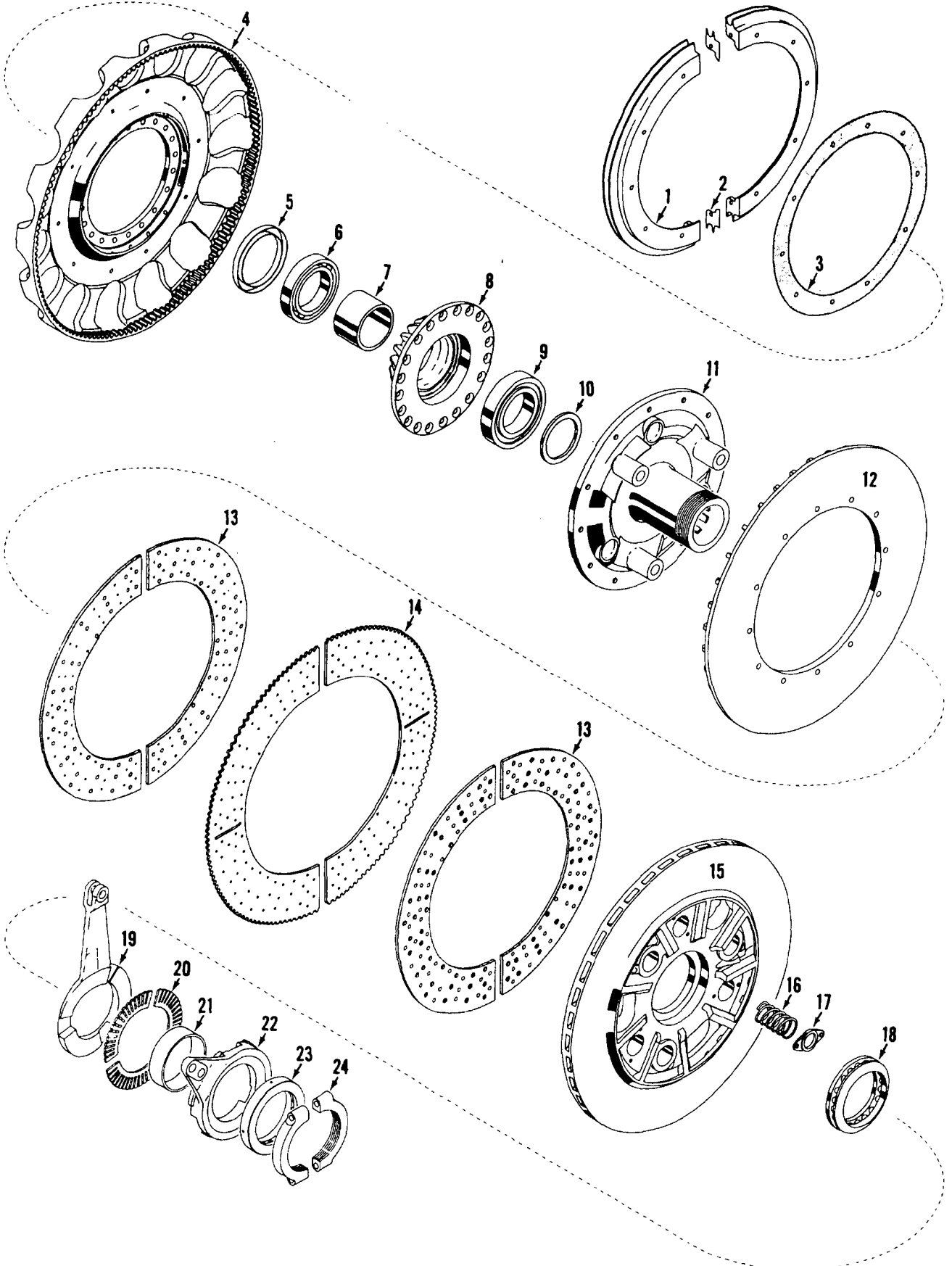
41933 FI Cont.

MANITOWOC ENGINEERING CO.

A Division of the Manitowoc Company, Inc.

Manitowoc, Wisconsin

MASTEK



MAIN DRIVE CLUTCH

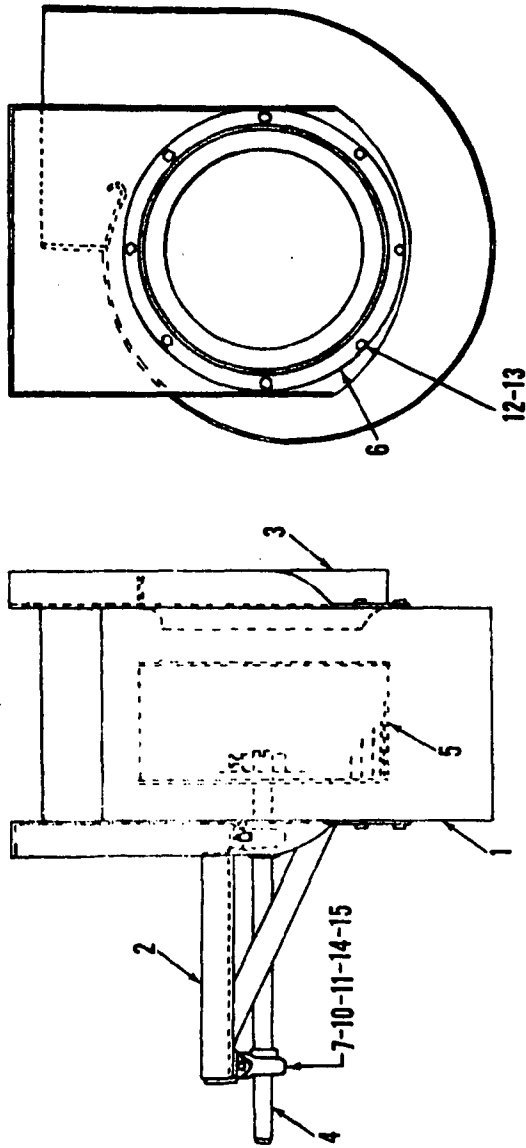
43132A2

MATERIAL LIST ON BACK

MANITOWOC ENGINEERING CO.

A Division of The Manitowoc Company, Inc.

Manitowoc, Wisconsin



ILLUST. No. 42593-A-2

MATERIAL LIST ON BACK

BLOWER

42593 42
MASTER

CLICK HERE TO **DOWNLOAD** THE COMPLETE MANUAL

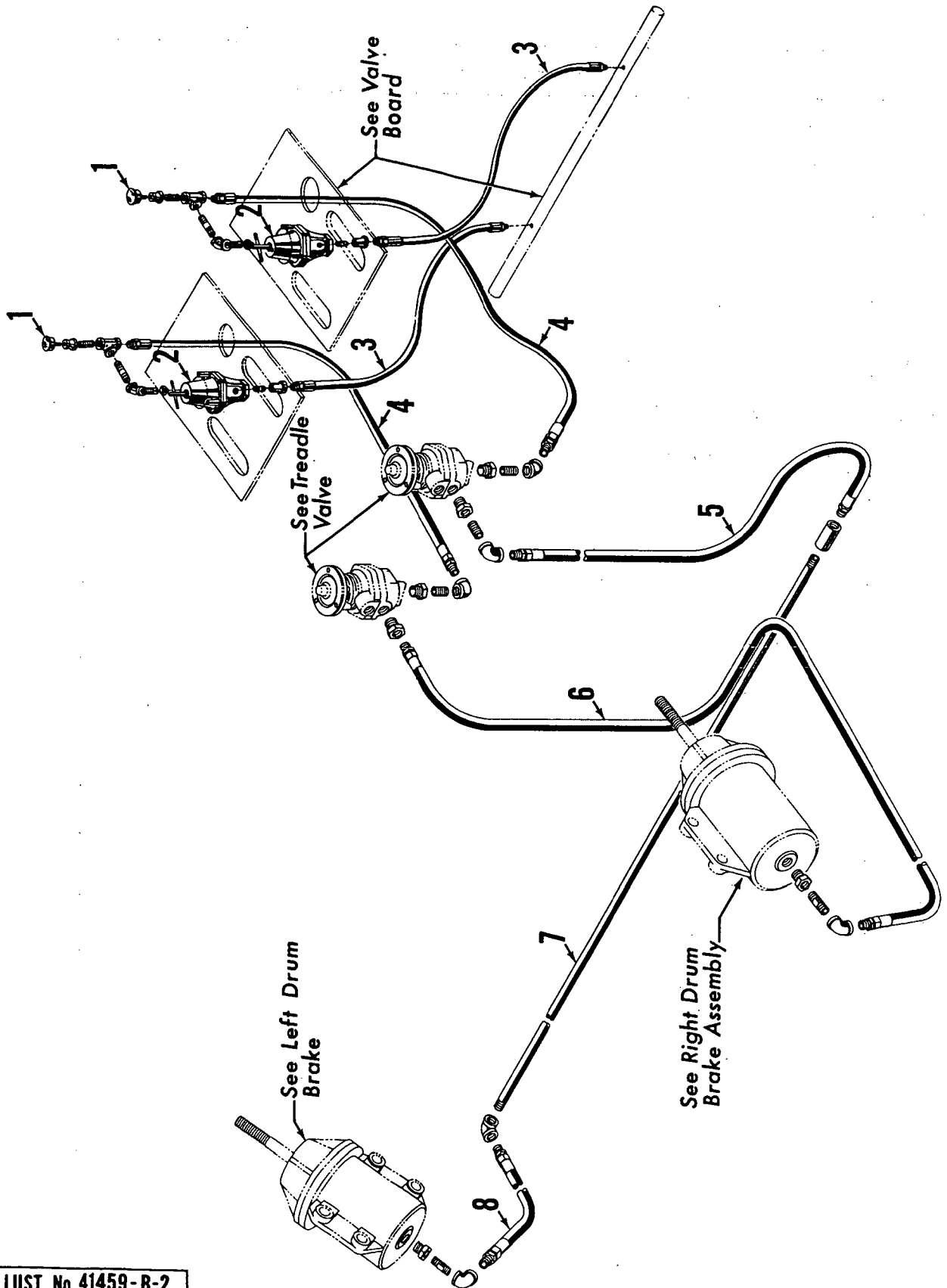
- Thank you very much for reading the preview of the manual.
- You can download the complete manual from: www.heydownloads.com by clicking the link below



- Please note: If there is no response to CLICKING the link, please download this PDF first and then click on it.

CLICK HERE TO **DOWNLOAD** THE COMPLETE MANUAL

GROUP C - Air Components & Electrical



ILLUST. No. 41459-B-2.

MATERIAL LIST ON BACK

AIR PIPING FOR DRUM BRAKES

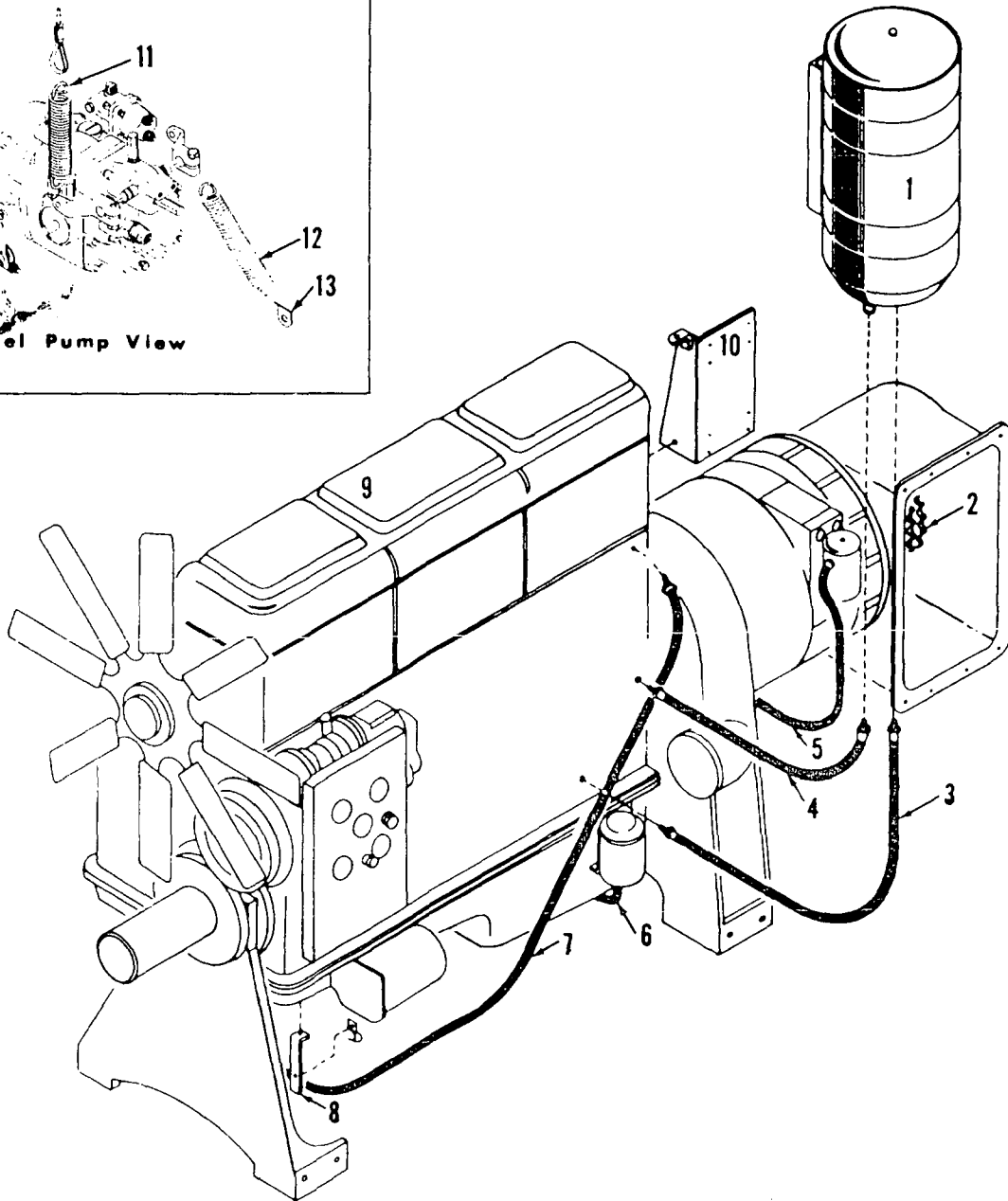
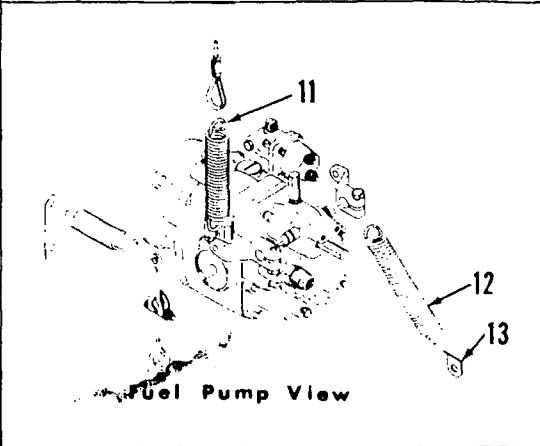
PARTS MANUAL ALPHABETICAL INDEX
Group D - Power Components

DESCRIPTION	PUBLICATION	REV	START DATE	END DATE	GROUP
Engine & Clutch Control	30268	C1	01/30/58	04/13/64	D0501
Engine & Clutch Control	42652	A1	03/30/61		D0501
Exhaust Stack	23643	B1	12/20/47	04/08/65	D0102
Power Plant	41749	A1	10/03/55	11/10/59	D0101
Power Plant	41749	B4	10/03/55	12/28/67	D0101
Power Plant	41749	E2	10/03/55	11/10/59	D0101

MANITOWOC ENGINEERING CO.

A Division of The Manitowoc Company, Inc.

Manitowoc, Wisconsin



41749C2

MATERIAL LIST ON BACK

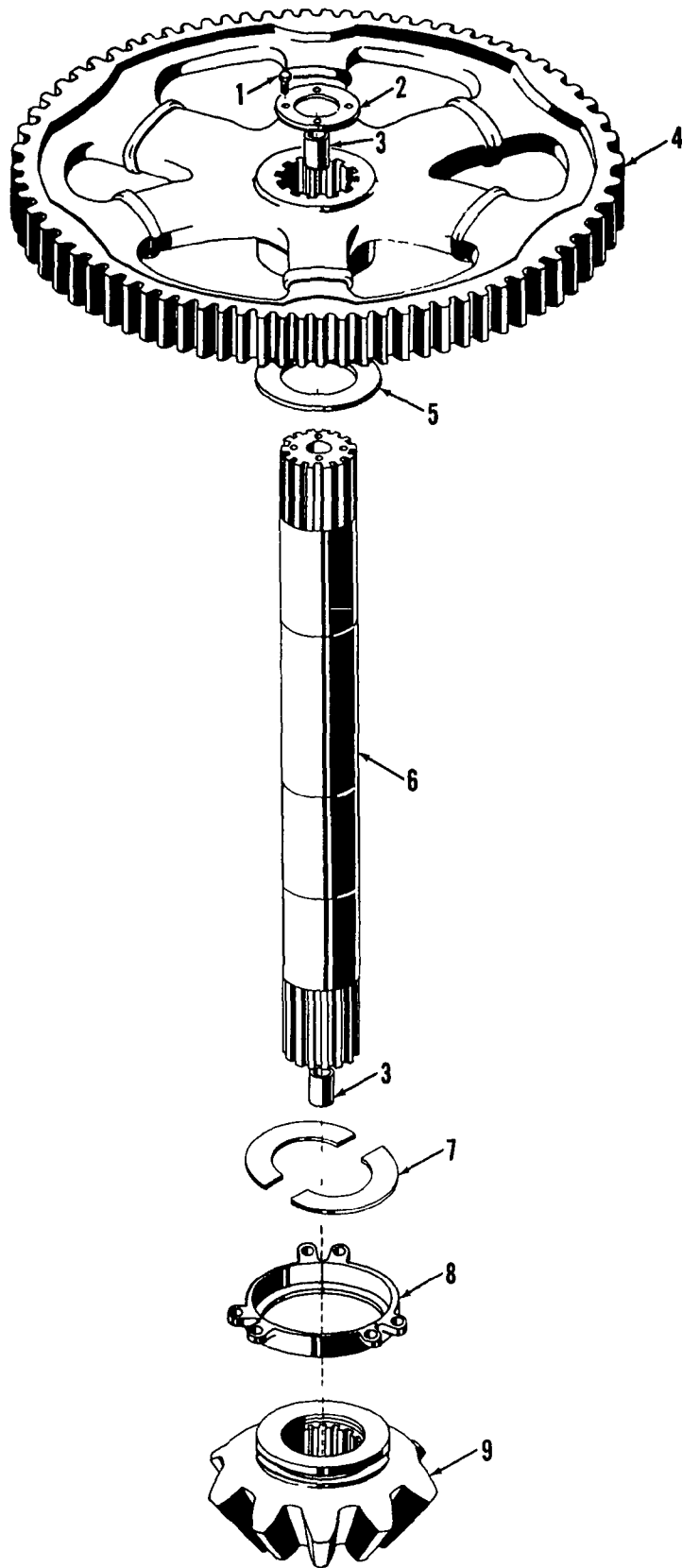
POWER PLANT ASSEMBLY

MANITOWOC ENGINEERING CO

A Division of The Manitowoc Company Inc.

Manitowoc, Wisconsin

MASTER

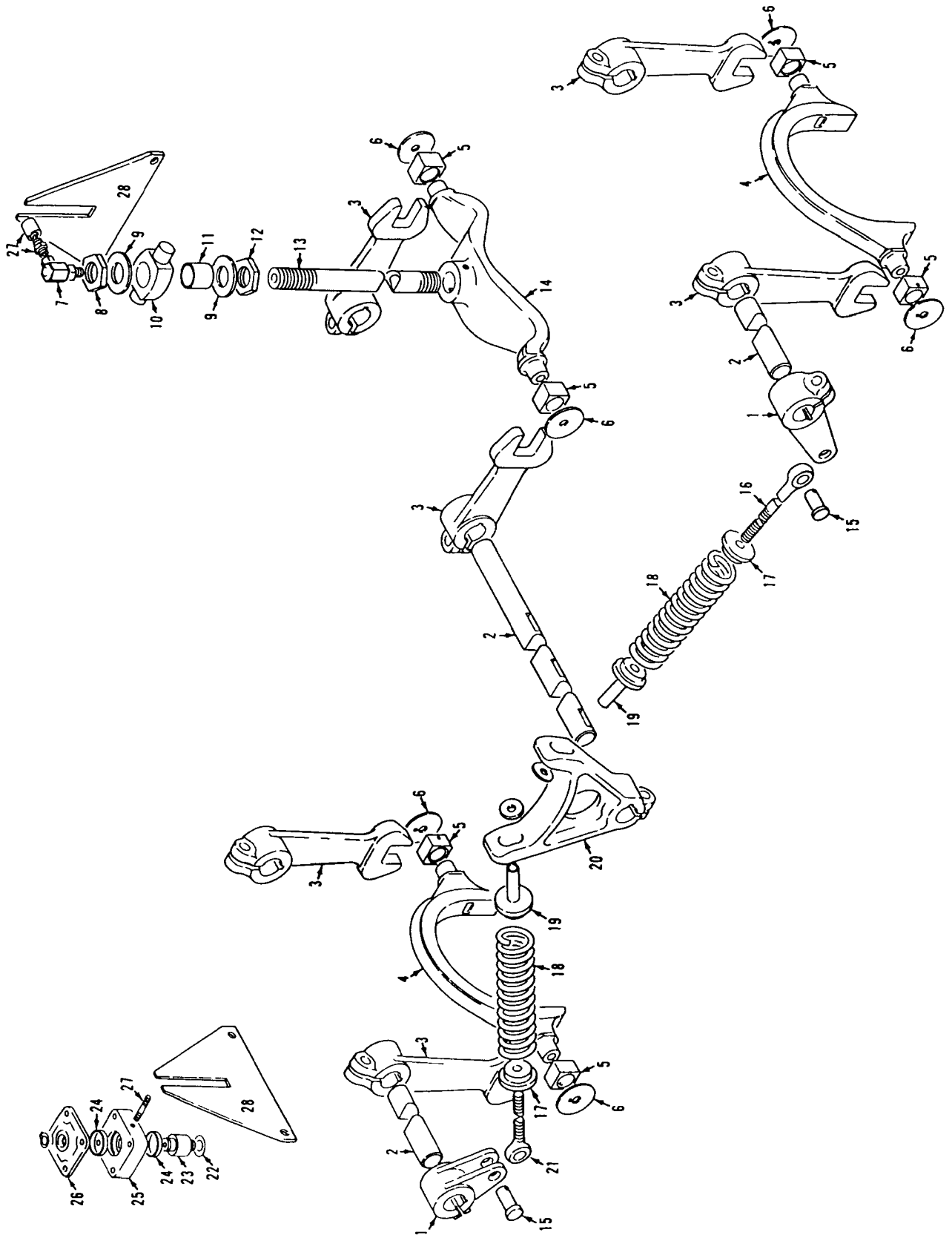


ILLUST No 32221-A-1

MATERIAL LIST ON BACK

32221A1

VERTICAL TRAVEL SHAFT



4021882

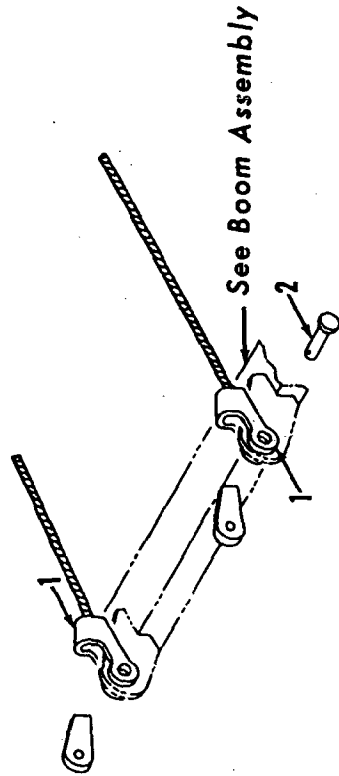
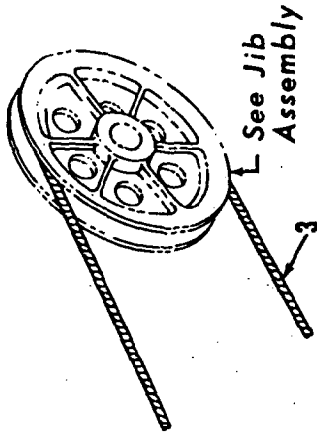
MATERIAL LIST ON BACK

STEERING CONTROL — CARBODY

PARTS MANUAL ALPHABETICAL INDEX
Group F - Attachments

DESCRIPTION	PUBLICATION	REV	START DATE	END DATE	GROUP
Backhitch & Gantry	42533	B1	03/24/60	12/01/61	F1001
Boom	42531	A1	03/20/60	09/01/64	F0101
Boom	42531	A2	03/22/60	09/01/64	F0101
Boom	42531	A4	03/22/60	09/01/64	F0101
Boom Point	24003	C1	10/09/59	03/23/60	F0401
Boom Point	90575	A1	09/01/64	01/26/70	F0401
Boom Point	24167	A1	11/18/59	06/04/64	F0401
Boom Stop, Clutch Throw-Out	32333	C1	07/05/60	06/28/62	F0201
Boom Stop, Mechanical	32301	A1	03/28/60		F0202
Equalizer/Pull-Out	31539	A1	11/19/53	01/22/70	F0601
Equalizer/Pull-Out	31539	A2	11/19/53	01/22/70	F0601
Guard Rollers On "A" Frame	32330	A1	06/21/60		F0901
Hook & Weight Ball	70403	A1	10/10/57	10/15/63	F1401
Jib	42484	C1	01/18/61	06/27/73	F1301
Jib Backstay	24436	A1	03/06/61	04/14/65	F1302
Jib Rope Guide/Roller	23947	B1	02/13/39	12/01/65	F1303
Wire Rope Guard	24286	A1	06/27/60	01/19/61	F0802
Wire Rope Guide	32114	B1	01/16/59	01/31/61	F0701

MASTER



24436-A-1

MATERIAL LIST ON BACK

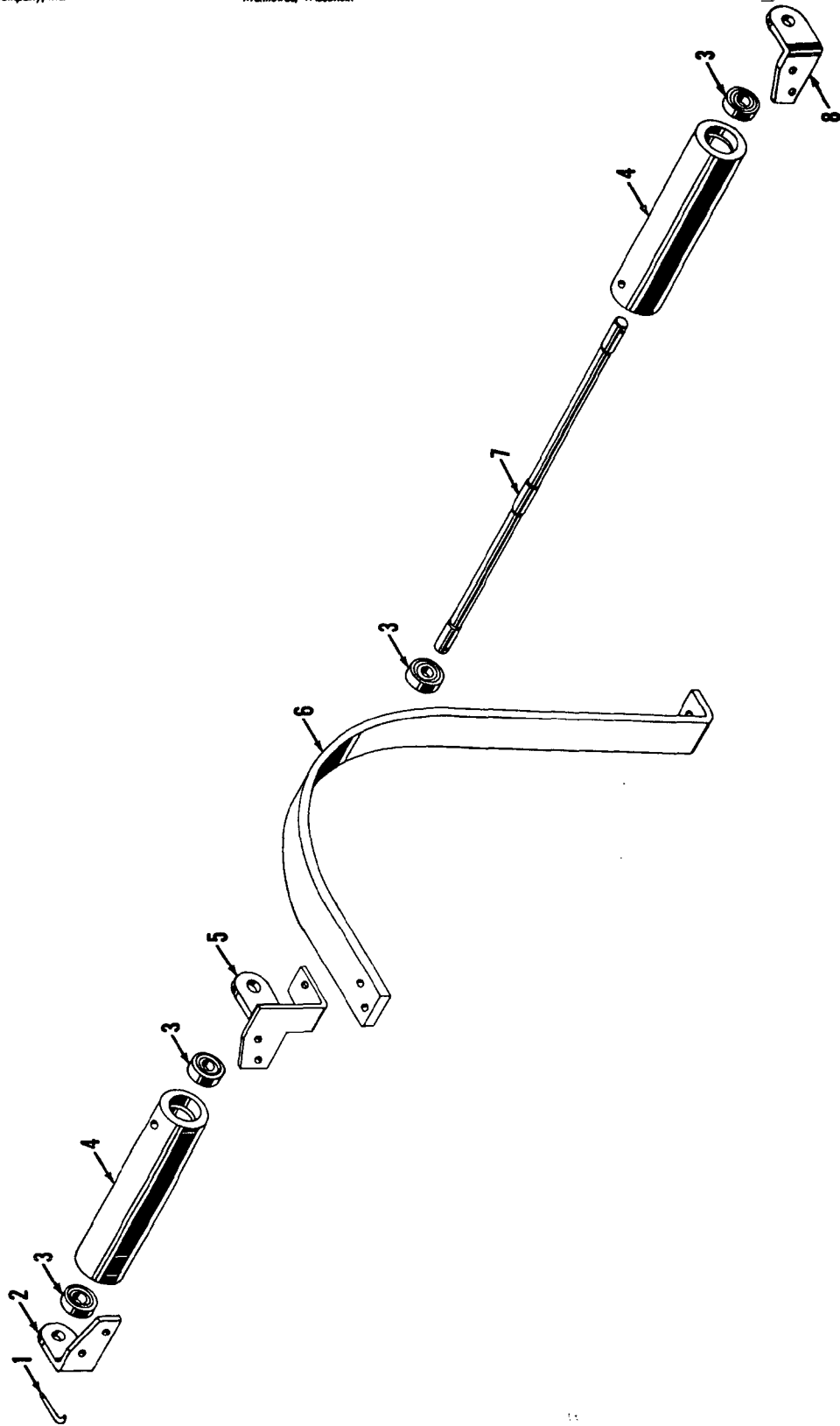
JIB BACK STAY ASSEMBLY

MANITOWOC ENGINEERING CO.

A Division of The Manitowoc Company, Inc.

Manitowoc, Wisconsin

MASTER

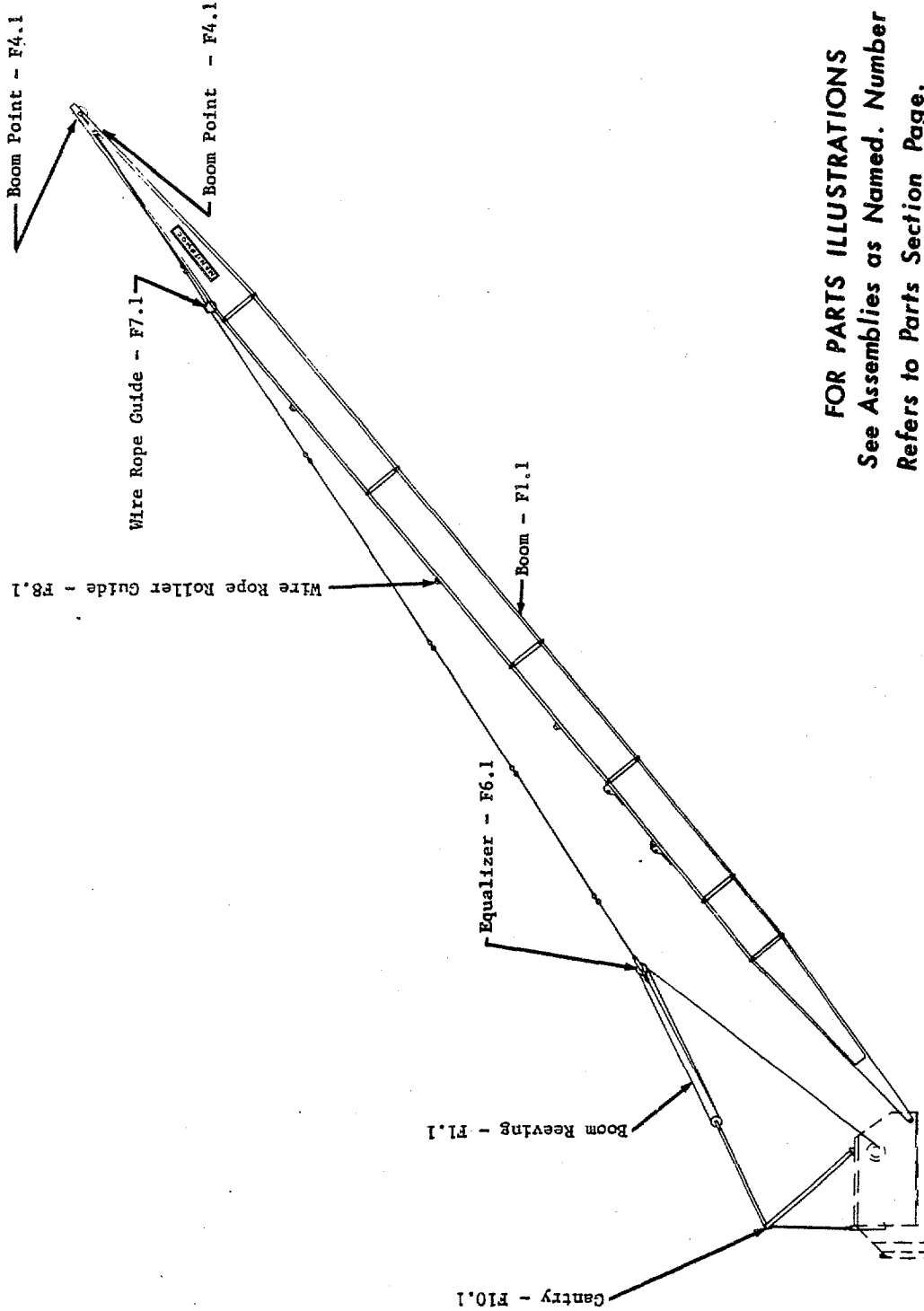


ILLUST. No. 32330-A-1

MATERIAL LIST ON BACK

CABLE GUIDE ROLLER ASSEMBLY

32330 A1



FOR PARTS ILLUSTRATIONS
 See Assemblies as Named. Number
 Refers to Parts Section Page.

M 3900

Arrgt. Boom No. 6

O-NUMBER NUMERICAL INDEX

PUBLICATION	REV
0-113	-
0-114	-
0-145	A1
0-145	A2
0-147	D2
0-148	-
0-156	D
0-173	A
0-241	A
0-241	B
0-284	A
0-315	B1
0-471	A1
0-505	-
0-71	-
0-72	b

MANITOWOC ENGINEERING CO.

Division of The Manitowoc Company, Inc.

Manitowoc, Wisconsin 54220



TUBING (soft copper)

Code No.	Tube O.D.
696205	3/16
696210	1/4
696214	5/16
696216	3/8
696218	1/2
696219	5/8
696220	3/4



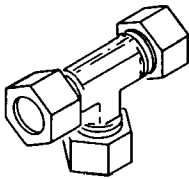
NUT

Code No.	Tube O.D.
424603	3/8
424604	1/2
424605	3/4
424633	5/16
424634	1/4
424635	3/16



FERRULE

Code No.	Tube O.D.
424600	1/4
424601	3/4
424602	3/8
424616	5/16
424617	1/2
424618	1/8
424619	3/16



UNION TEE

Code No.	Tube O.D.
429315	1/4
429316	3/8
429317	5/16



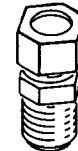
UNION

Code No.	Tube O.D.
429349	3/8
429361	1/4
429362	1/2
429397	5/16



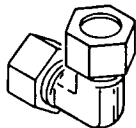
FEMALE CONNECTOR

Code No.	Tube O.D.	Pipe Thread
429312	3/16	1/8
429407	1/4	1/8
429830	1/4	1/4



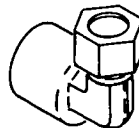
MALE CONNECTOR

Code No.	Tube O.D.	Pipe Thread
429324	3/4	3/4
429328	3/8	1/2
429351	5/16	1/8
429358	1/2	3/4
429359	1/2	3/8
429363	1/4	1/8
429364	1/4	1/4
429365	3/16	1/8
429366	3/8	1/8
429367	3/8	1/4
429368	3/8	3/8



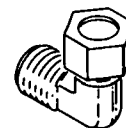
UNION ELBOW

Code No.	Tube O.D.
429372	3/8
429378	1/2
429381	1/4



FEMALE ELBOW

Code No.	Tube O.D.	Pipe Thread
429066	1/4	1/8
429825	1/4	1/4



MALE ELBOW

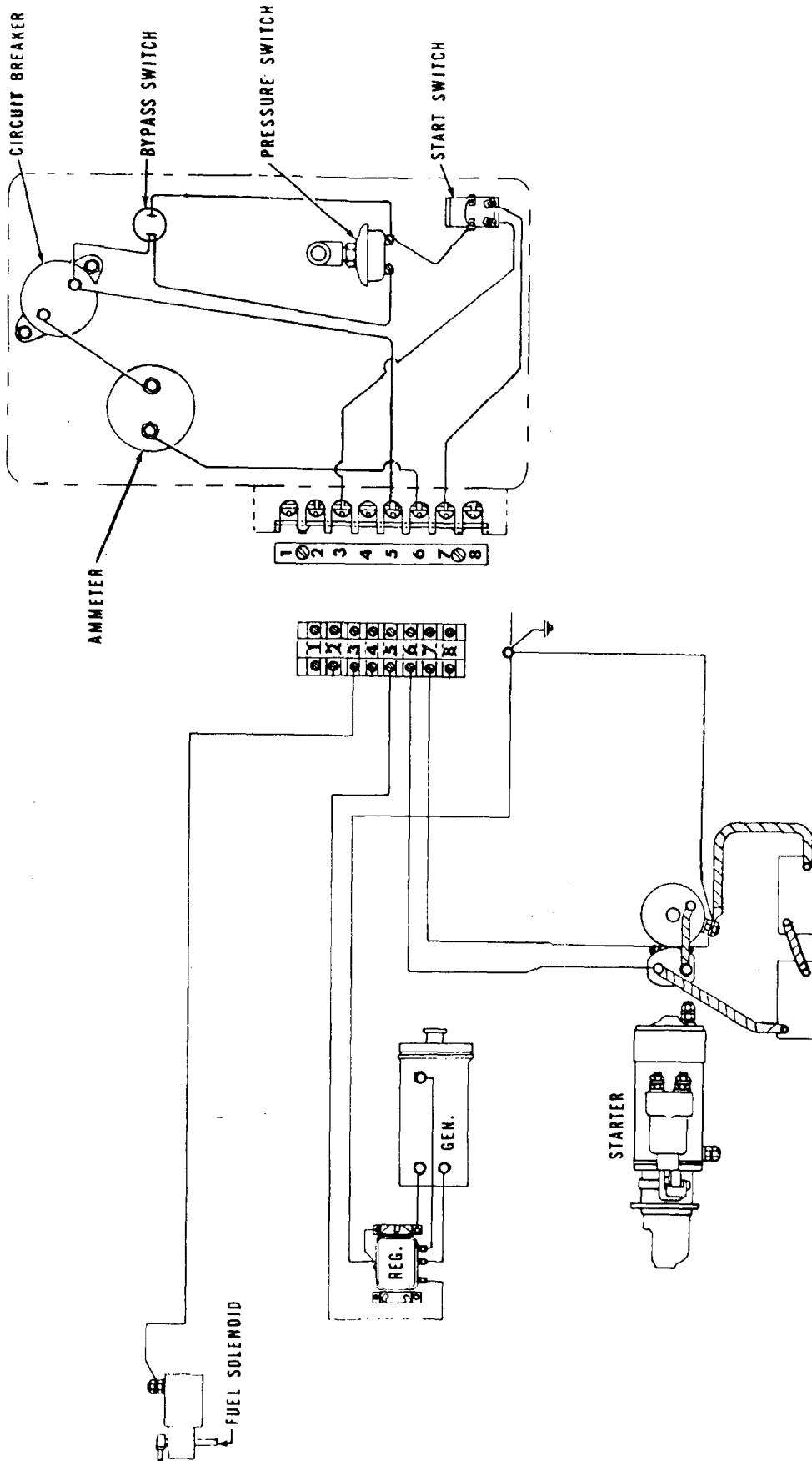
Code No.	Tube O.D.	Pipe Thread
429371	1/2	1/2
429373	3/8	1/8
429374	1/4	1/4
429375	3/8	1/4
429376	1/2	3/8
429380	1/4	1/8
429384	3/8	1/2
429385	5/16	1/8
429386	3/16	1/8
429401	1/2	3/4
429422	3/8	3/8
429453	3/4	3/4

MANITOWOC ENGINEERING CO.

A Division of The Manitowoc Company, Inc.

Manitowoc, Wisconsin

MASTER

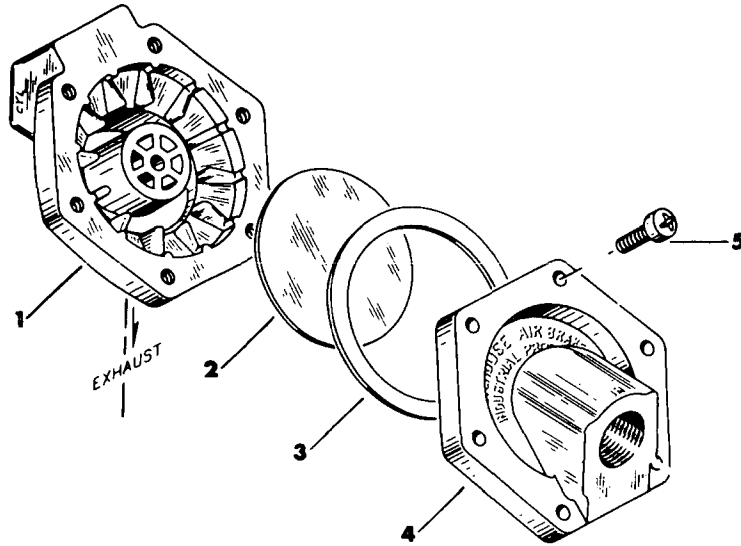


0-241B

MATERIAL LIST ON BACK

ENGINE WIRING DIAGRAM - CUMMINS

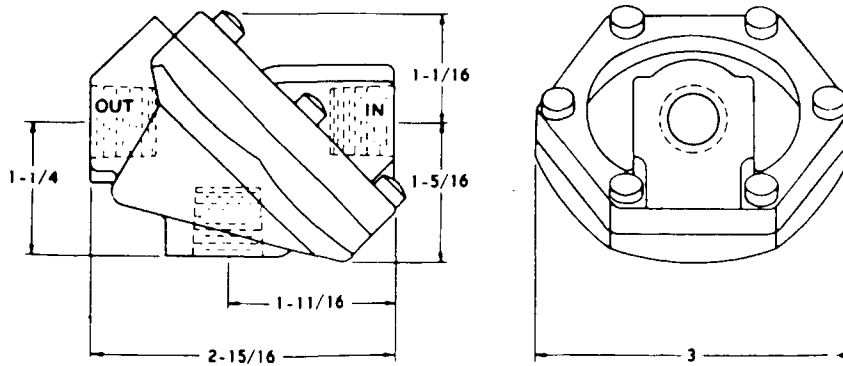
MANITOWOC NO. 714688 - WESTINGHOUSE NO. P52935-3



EXPLODED VIEW

PARTS LIST

Manitowoc Number	Westinghouse Number	Ref. No.	Description
	P52966	1	Body, Valve
714693	P5112	2	Diaphragm
714694	P5111-6	3	Gasket
	P52967	4	Cover, Valve
	P49502	5	Screw, Washer Head



OUTLINE VIEW

Used Approx. 1962 to _____. (See Reverse Side of Sheet)

CLICK HERE TO **DOWNLOAD** THE COMPLETE MANUAL

- Thank you very much for reading the preview of the manual.
- You can download the complete manual from: www.heydownloads.com by clicking the link below



- Please note: If there is no response to CLICKING the link, please download this PDF first and then click on it.

CLICK HERE TO **DOWNLOAD** THE COMPLETE MANUAL