



TRADITIONAL CRANE PARTS MANUAL

This manual has been prepared for and is considered part of

3900

Model

39758

Serial Number

GROUP A = Rotating Structure (Includes rotating bed, operator's cab, cases, fuel tanks, transfer pump, counterweights, guards, platforms, catwalks, machinery enclosure, horn)

GROUP B = Upperworks Machinery (Includes front, rear, and auxiliary drums, boom hoist, swing and drive shafts, hand levers, foot pedals, control linkage, rotation indicators, upperworks hydraulic components, hydraulic piping, hydraulic oil reservoir, lubrication pump and piping, blowers)

GROUP C = Air Components & Electrical (Includes control console, air piping, electric wiring, auxiliary light plant and lighting, TV monitoring, compressor and air tank)

GROUP D = Power Components - Upperworks (Includes engine or motor, radiator, auxiliary power plant, take off converters and piping, controls, VICON power lowering, torque limiter, hydraulic pumps and piping, fuel piping, battery box)

GROUP E = Lower Structure & Control (Includes carbody, crawlers, travel shafts and control, steering travel locks, hydraulic travel, travel power outriggers, carrier, pedestal, lowerworks hydraulic piping, RINGER components, barge mounting and machinery, spud drums)

GROUP F = Attachments (Includes booms, jibs, masts, tower, wire rope guides, equalizer, gantry, fairlead, timber guards, boom angle indicator, block-up limit, tag line, hook block, weight ball, upper and lower boom point, wind speed indicator, crowd and retract dipper sticks, dippers,)

O-NUMBER SECTION = (Includes lacing drawings and purchased component parts drawings referenced in sections A through F)

This manual is arranged in sections as listed above. Sections A through F are arranged by group numerical order with an index after each section tab. An alphabetical index for groups A Through F combined is located after the O-number Section. The O-number section is arranged in numerical order by O-number. Following this cover page are the Basic Specifications, Warranty Information, Tool List (if applicable) Outline Dimensions, Weights, and Dealer Listing.

MANITOWOC CRANES, INC.

2401 South 30th Street • PO Box 70

Manitowoc, WI 54221-0070

Phone: 920-684-6621 • Fax: 920-683-6278

CLICK HERE TO **DOWNLOAD** THE COMPLETE MANUAL

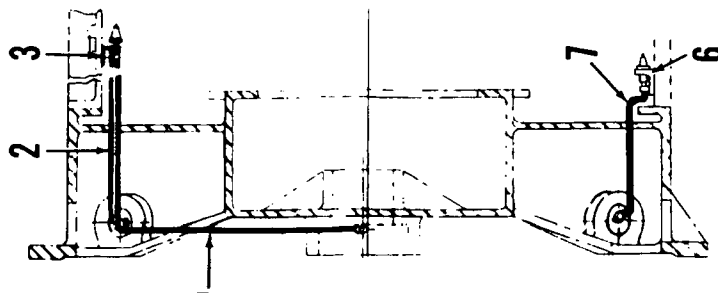
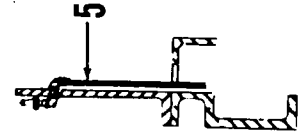
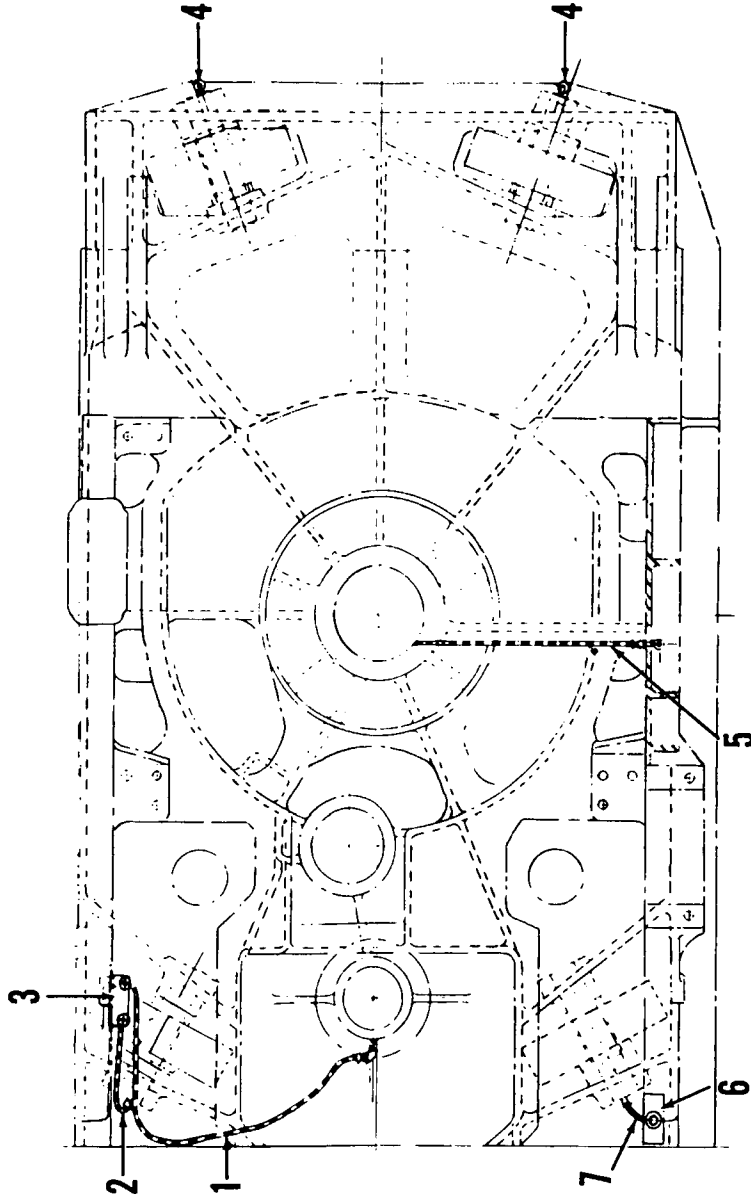
- Thank you very much for reading the preview of the manual.
- You can download the complete manual from: www.heydownloads.com by clicking the link below



- Please note: If there is no response to CLICKING the link, please download this PDF first and then click on it.

CLICK HERE TO **DOWNLOAD** THE COMPLETE MANUAL

MASTER



30375-A-1

MATERIAL LIST ON BACK

ROTATING BED PIPING

32998-1 Cont.	REV. P	MODEL 3600-3900
---------------	-----------	--------------------

CAB

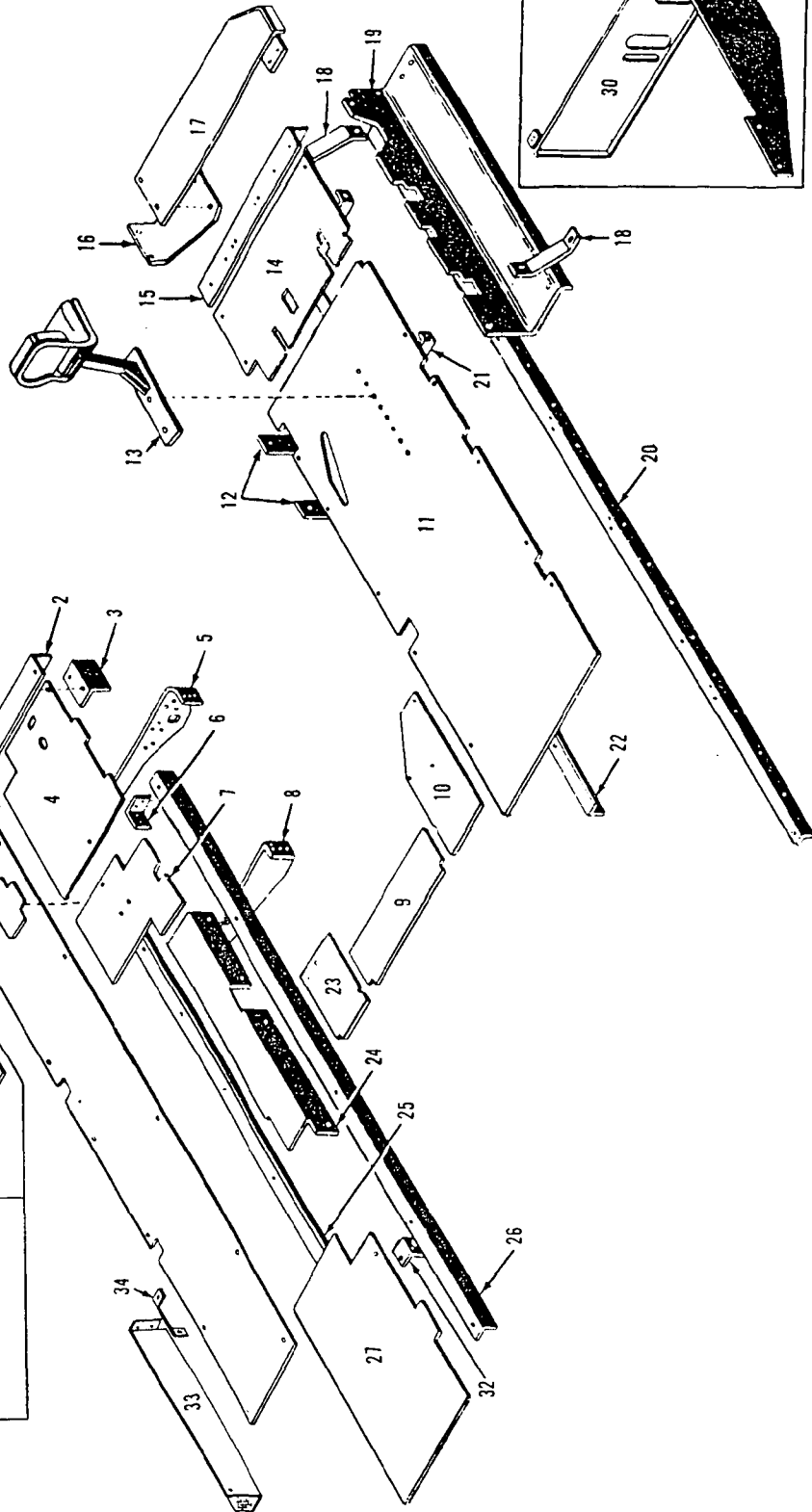
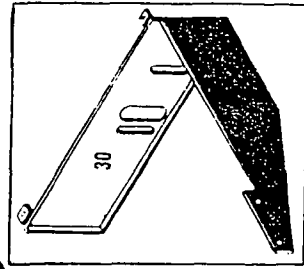
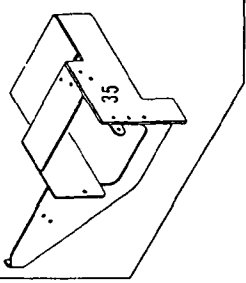
REF. NO.	PART NUMBER	QUANTITY REQUIRED	DESCRIPTION OF PART	VENDORS PART NO.
25a	605101	1	CHANNEL, Rubber (Specify 11'0" - 3.353 m)	
29a	18971	1	GLASS, Window	
25a	605101	1	CHANNEL, Rubber (Specify 9'5" - 2.870 m)	
			<u>ROOF DOOR OVER ENGINE (OPTIONAL)</u>	
77	33883	1	DOOR, Roof W/rivets (Complete)	
78	74260	1	DOOR, Sliding	
			<u>GUARD OVER OPERATOR'S WINDOW (OPTIONAL)</u>	
79	33016	1	GUARD W/capscrews, hex nuts and lockwashers	
			<u>NOTE 1:</u> For machines W/Generator inside cab, delete Ref. #14, 21 and add:	
	95413	1	ASSEMBLY, Left Side Modification	
14	95412	1	SHEET, Center (35-3/4" wide)	
21	95411	1	SHEET, Front (W/paddle handle lock #510183 and access door to generator) W/truss head bolts, hex nuts and lockwashers	
			For complete left side order 31702-6.	
			<u>NOTE 2:</u> Machine W/std. boom hoist, delete Ref. #3 and use Sheet #633155. For complete roof order #42529-6.	
			<u>NOTE 3:</u> Mach. W/Kohler light plant use the following:	
14	632816	1	SHEET, Middle W/sliding door	
			For complete left side order #31702-8.	

UNIT AS FOLLOWS

MASTER

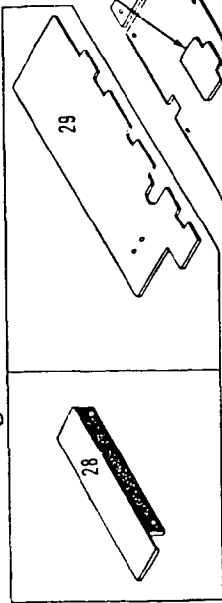
REV. P	32998 - 1
-----------	-----------

STER



Air Control

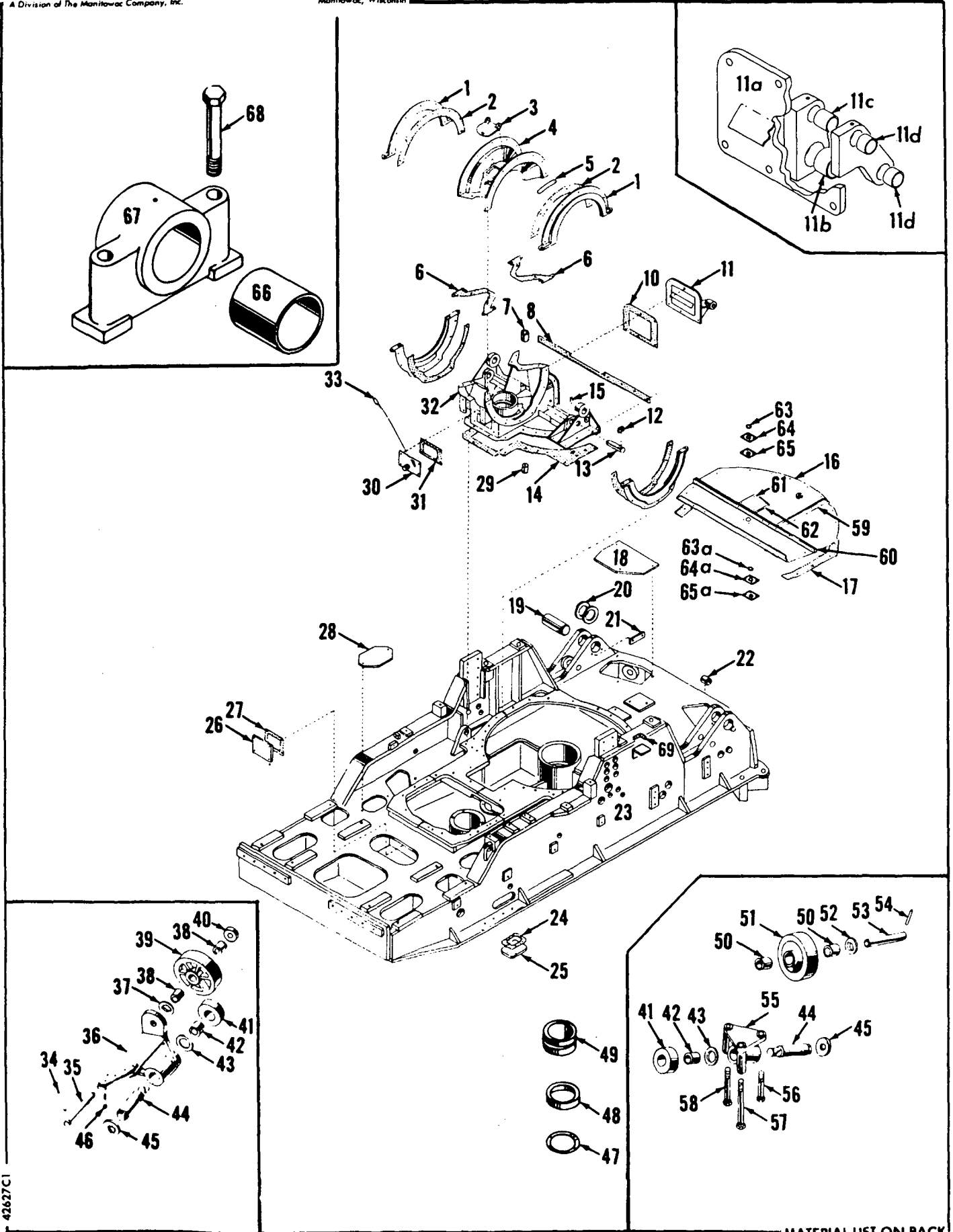
Ind. Swing



MANITOWOC ENGINEERING CO.

A Division of The Manitowoc Company, Inc.

Manitowoc, Wisconsin



MASTER

42627C1

MATERIAL LIST ON BACK

ROTATING BED

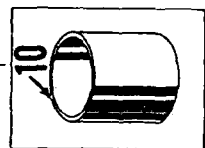
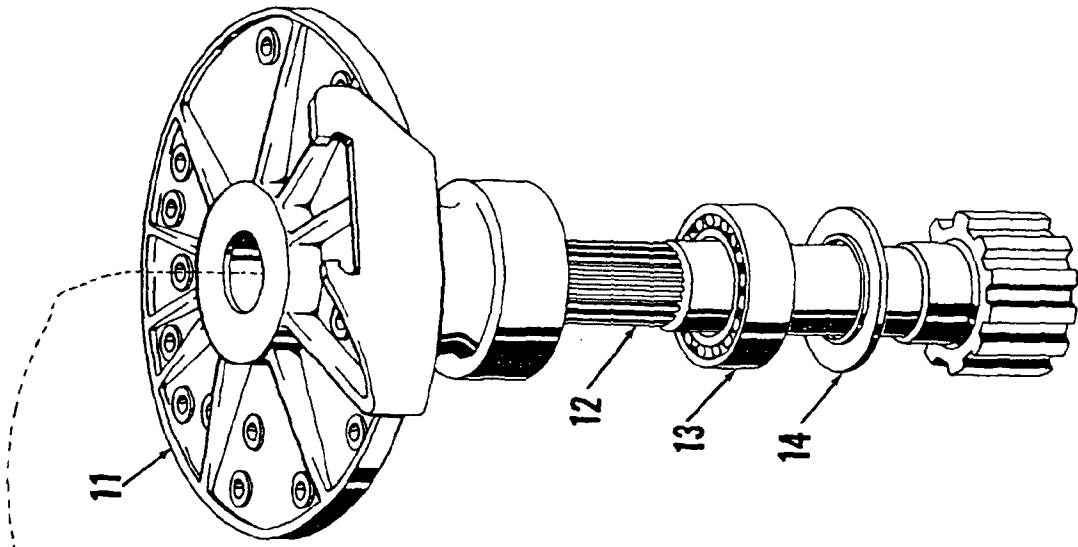
42627C1

GROUP B - Upperworks Machinery

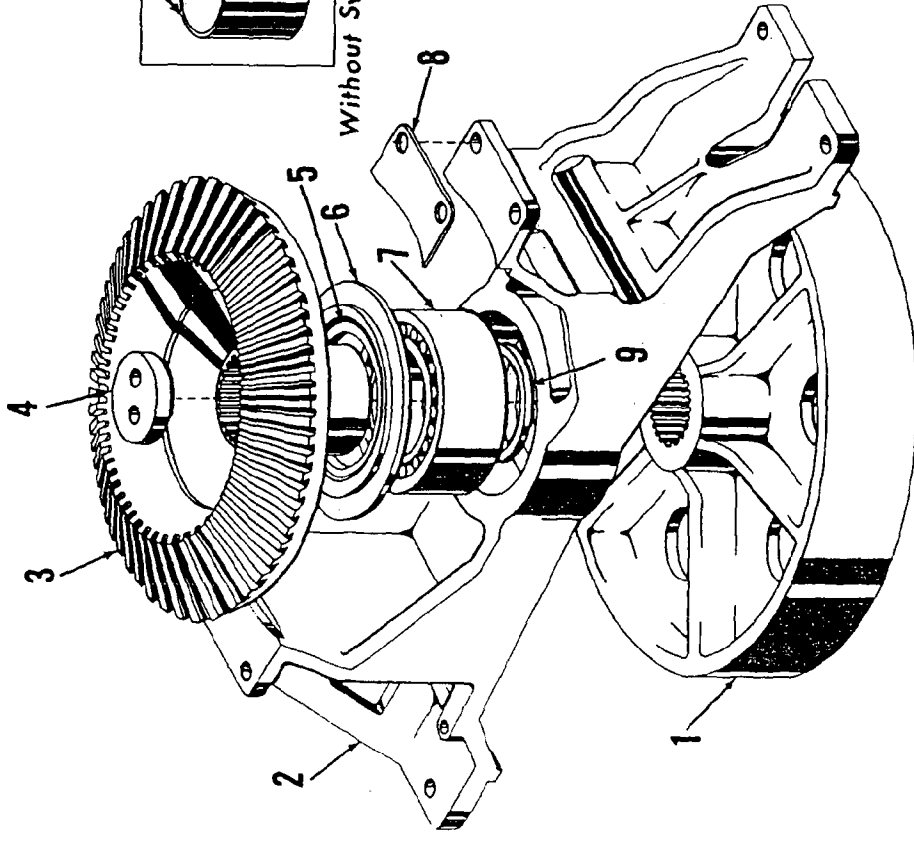
MANITOWOC ENGINEERING CO.

A Division of The Manitowoc Company, Inc.

Manitowoc, Wisconsin



Without Swing Brake



ILLUST. No. 23439-A-1

MATERIAL LIST ON BACK

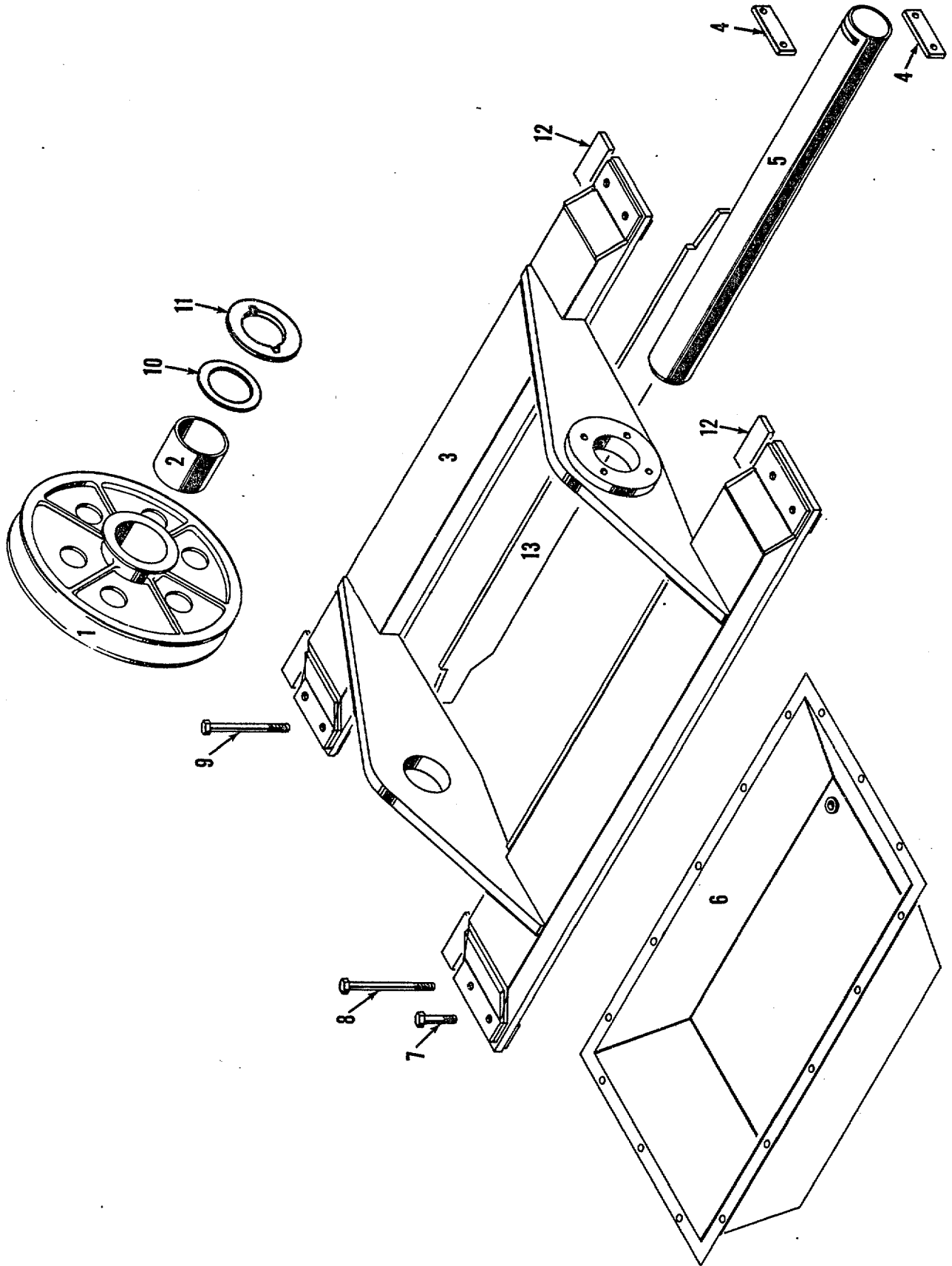
VERTICAL DRIVE SHAFT

23439

MANITOWOC ENGINEERING CO.

A Division of The Manitowoc Company, Inc.

Manitowoc, Wisconsin



MATERIAL LIST ON BACK

GUIDE SHEAVE ASSEMBLY

31779D1

MASTER

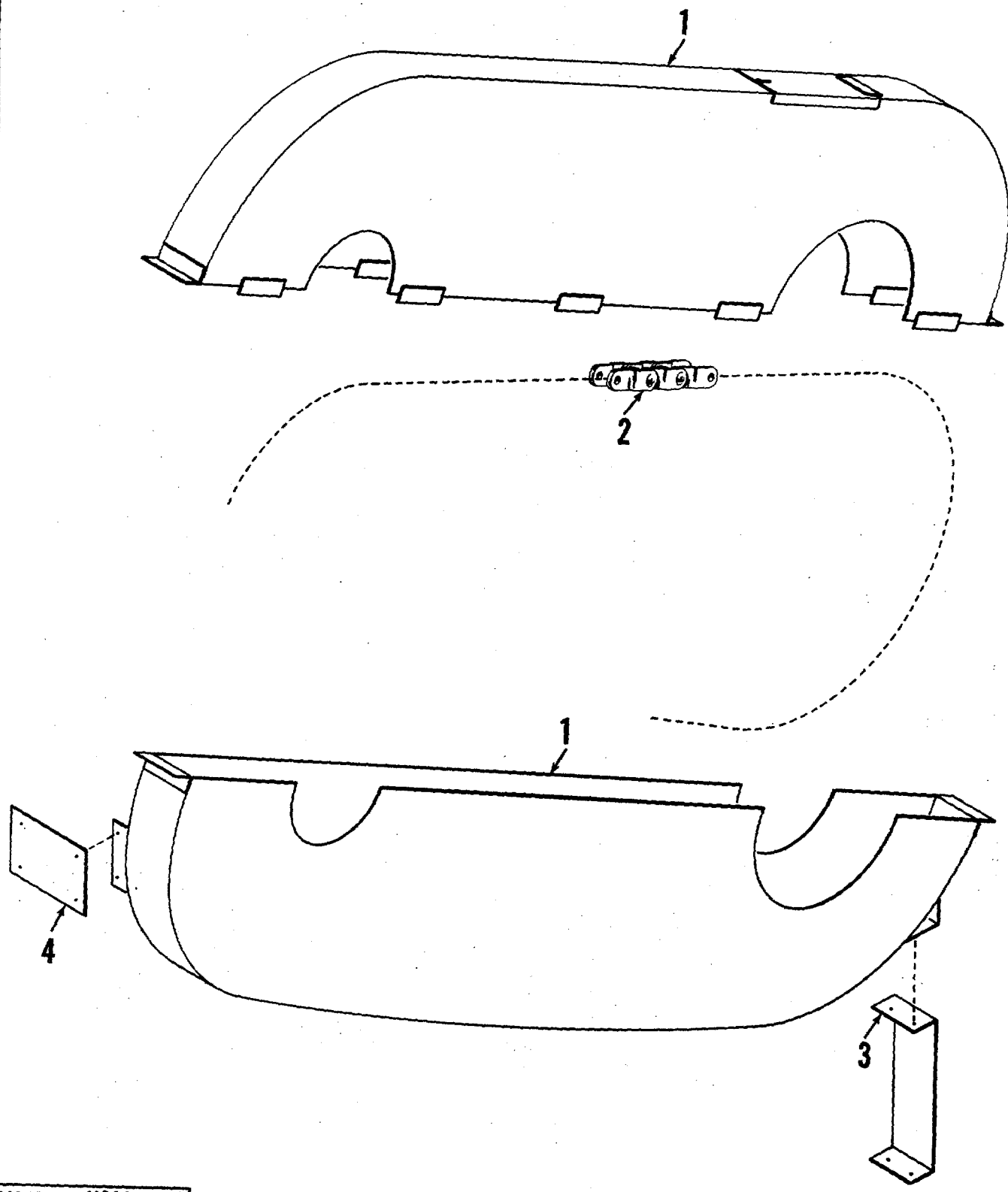
31779 D1

MANITOWOC ENGINEERING CO.

A Division of The Manitowoc Company, Inc.

Manitowoc, Wisconsin

MASIER

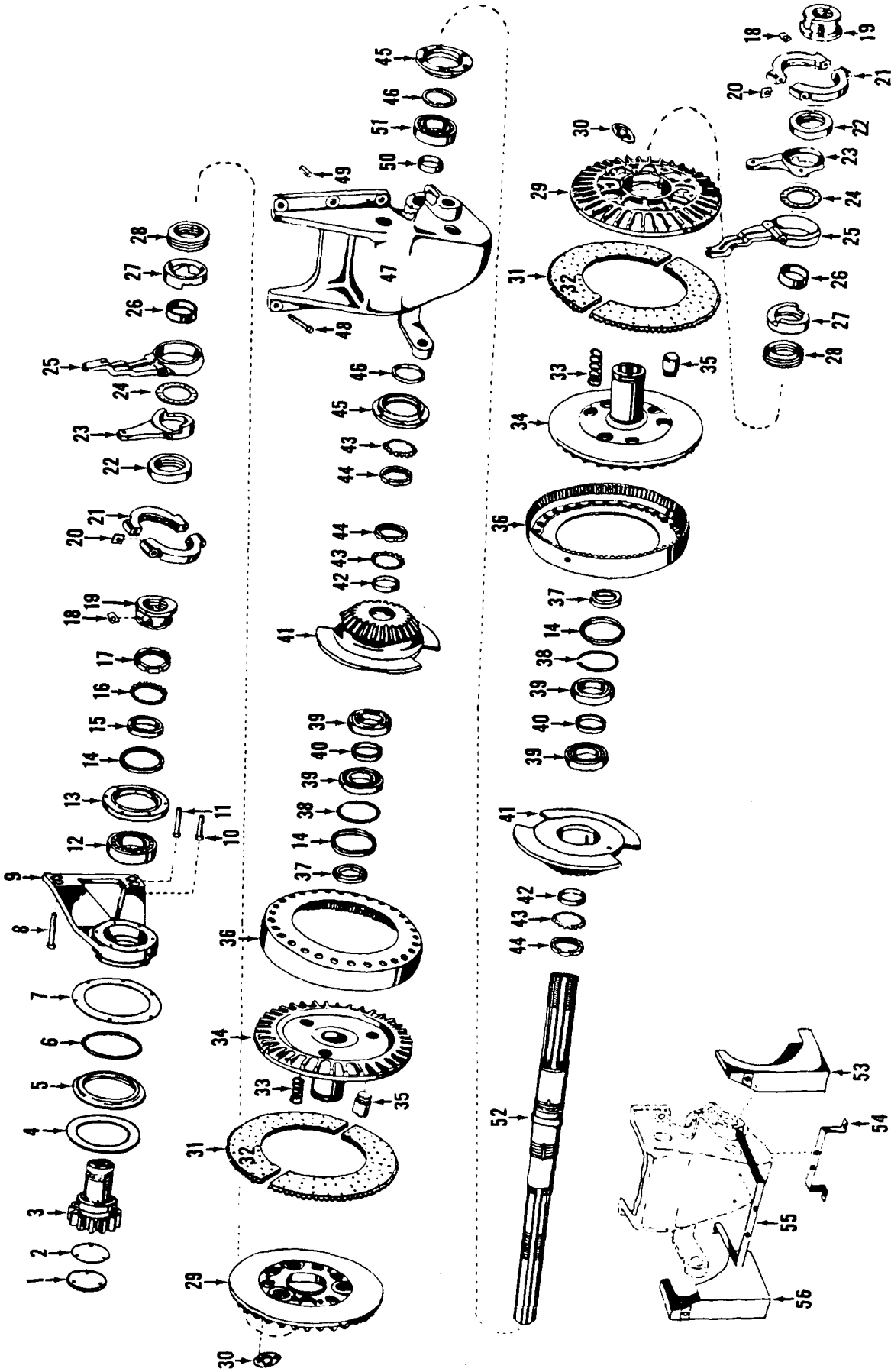


41686 A1

ILLUST. No. 41686-A-1

MATERIAL LIST ON BACK

CHAIN CASE ASSEMBLY



MATERIAL LIST ON BACK

IND. BOOM HOIST DRIVE SHAFT

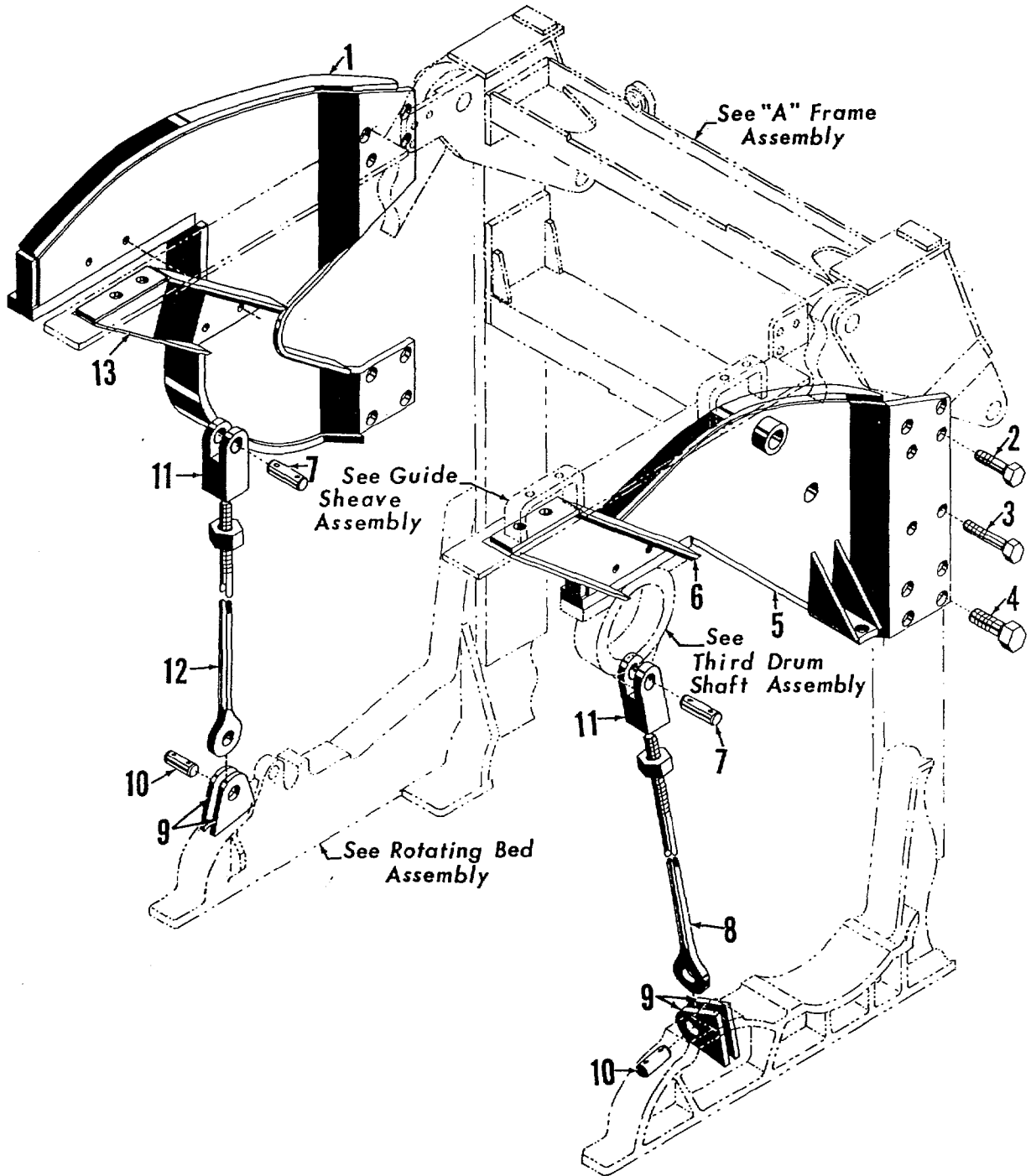
41933G1

MANITOWOC ENGINEERING CO.

A Division of The Manitowoc Company, Inc.

Manitowoc, Wisconsin

MASTER



ILLUST. No. 42019-A-1

MATERIAL LIST ON BACK

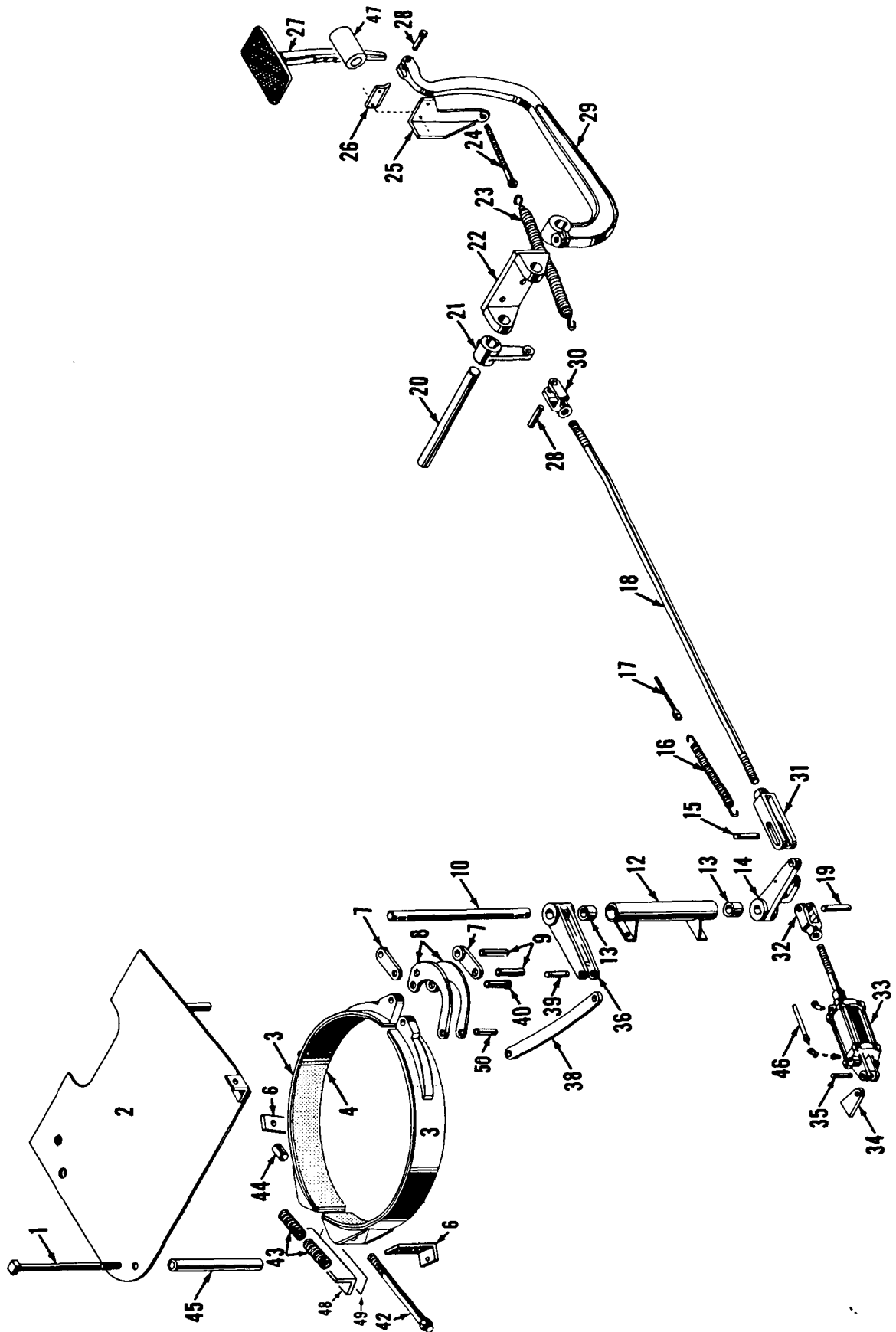
THIRD DRUM SUPPORT ASSEMBLY

42019

MANITOWOC ENGINEERING CO.

A Division of The Manitowoc Company, Inc.

Manitowoc, Wisconsin



4265801

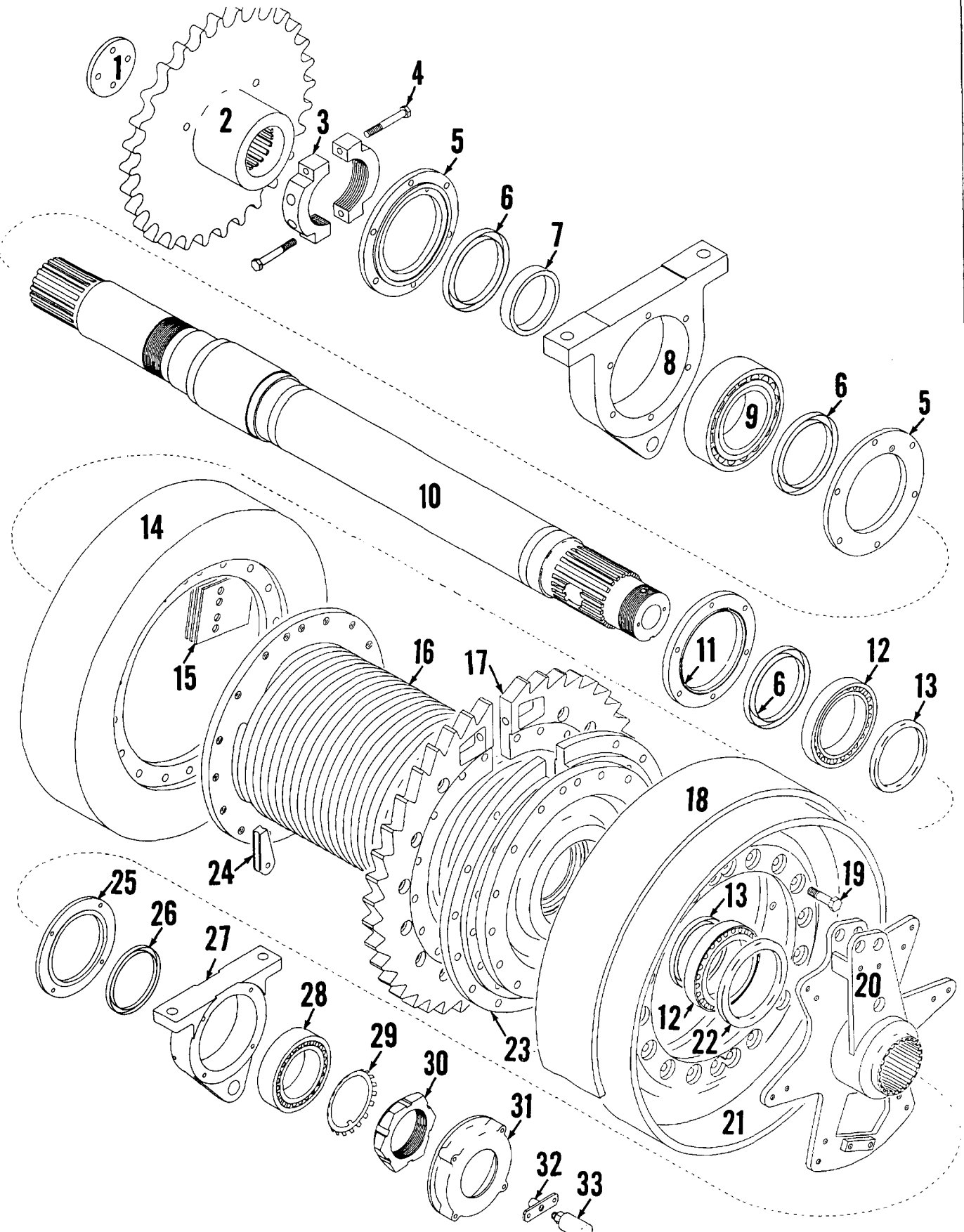
MATERIAL LIST ON BACK

Swing Brake

MANITOWOC ENGINEERING CO.

A Division of The Manitowoc Company, Inc.

Manitowoc, Wisconsin



42738A1

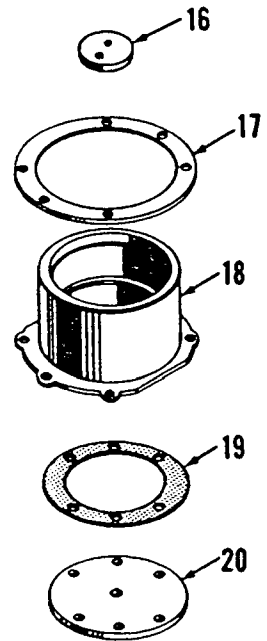
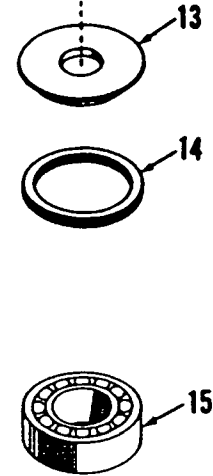
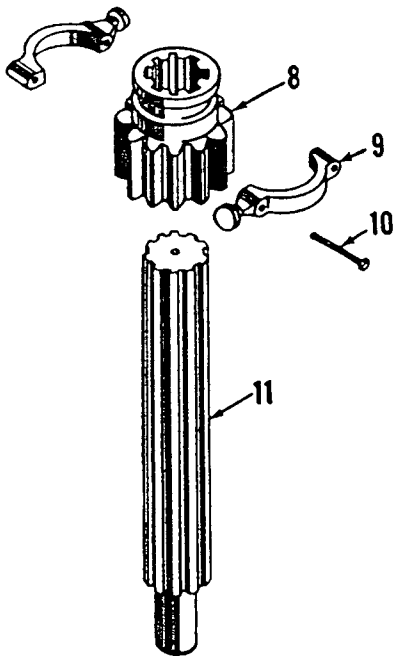
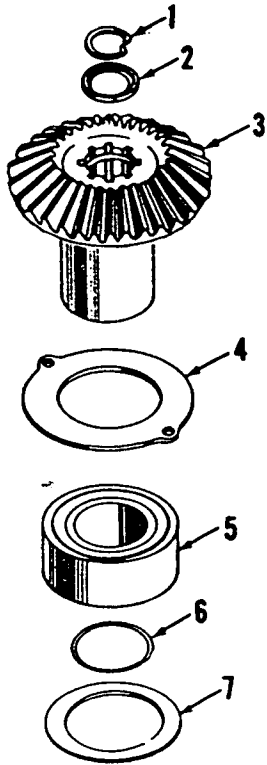
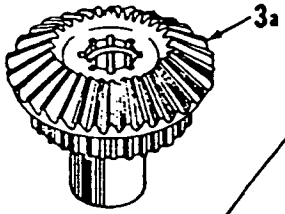
MATERIAL LIST ON BACK

THIRD DRUM ASSEMBLY

MANITOWOC ENGINEERING CO.

Division of The Manitowoc Company, Inc.

Manitowoc Pumps



CLICK HERE TO **DOWNLOAD** THE COMPLETE MANUAL

- Thank you very much for reading the preview of the manual.
- You can download the complete manual from: www.heydownloads.com by clicking the link below



- Please note: If there is no response to CLICKING the link, please download this PDF first and then click on it.

CLICK HERE TO **DOWNLOAD** THE COMPLETE MANUAL

41415-1 Cont.	REV. E	MODEL 2000-3900 Incl.
---------------	-----------	--------------------------

VALVE BOARD ASSEMBLY

REF. NO.	PART NUMBER	QUANTITY REQUIRED	DESCRIPTION OF PART	VENDORS PART NO.
40	17931	1	HOSE, Flex (3/8" I.D. 1'9" or 0.5334 m Long)	
1	539124	1	PLATE, Name (Swing Brake) W/self tapping screws	
			<u>AIR STEERING AND TRAVEL LOCKS (SEE NOTE)</u>	
42	714494	1	VALVE, Steering Control	
43	539143	1	PLATE, Name (Steering Clutch) W/self tap screws	
44	73266	1	SUPPORT, Valve W/capscrews, hex nuts and lockwashers	
45	15099	1	HOSE, Flex (5/16" I.D. 2'0" or 0.6096 m Long)	
46	714493	1	VALVE, Travel Lock Control	
47	460252	1	GAUGE, Air Pressure	
48	73267	1	SUPPORT, Valve W/capscrews, hex nuts and lockwashers	
49	539142	1	PLATE, Name (Travel Lock) W/self tap screws	
50	3412	1	HOSE, Flex (3/16" I.D. 10½" or 0.2667 m Long)	
51	3603	1	HOSE, Flex (Supply) (5/16" I.D. 3'6" or 1.0668 m Long)	
			NOTE: Previous control valve for travel locks was #703882 mounted on left board #22470.	
			0-114, 0-69, 0-96, 0-120, Ø-117B	
				REV. E
				41415 - 1

Run as Front

ASTER

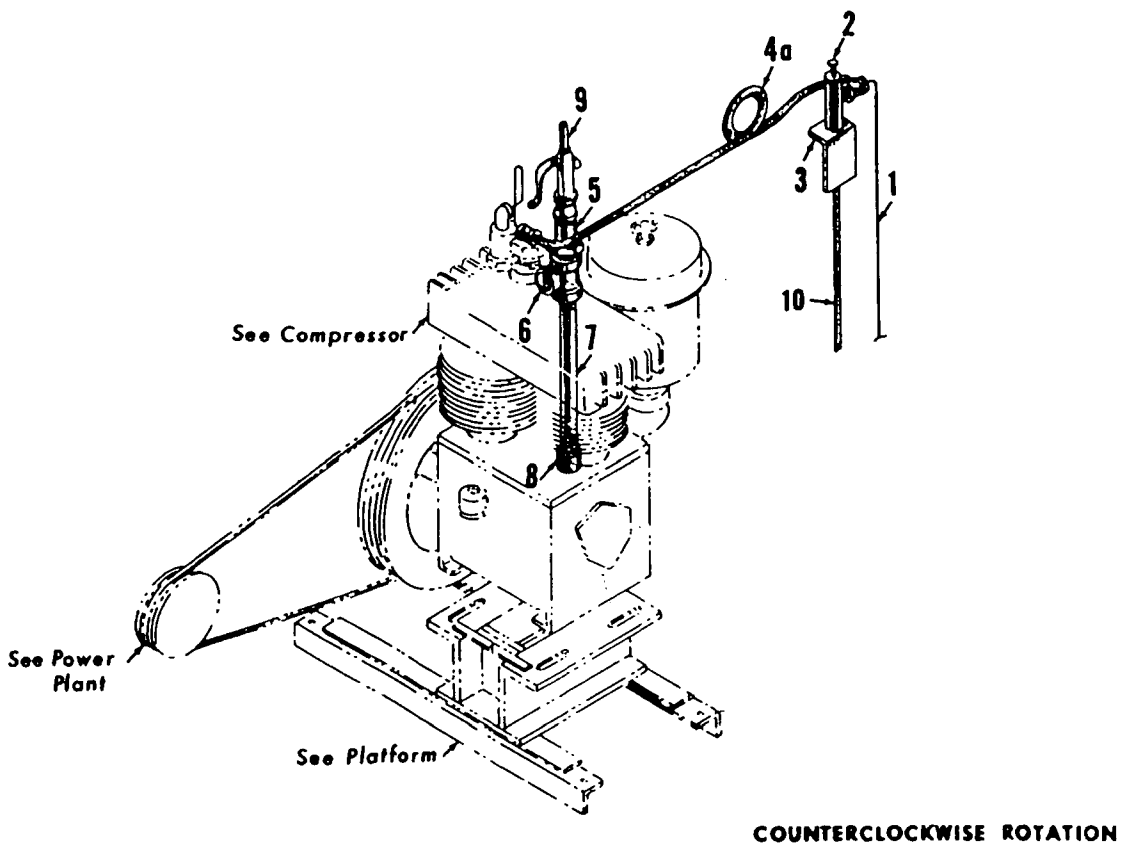
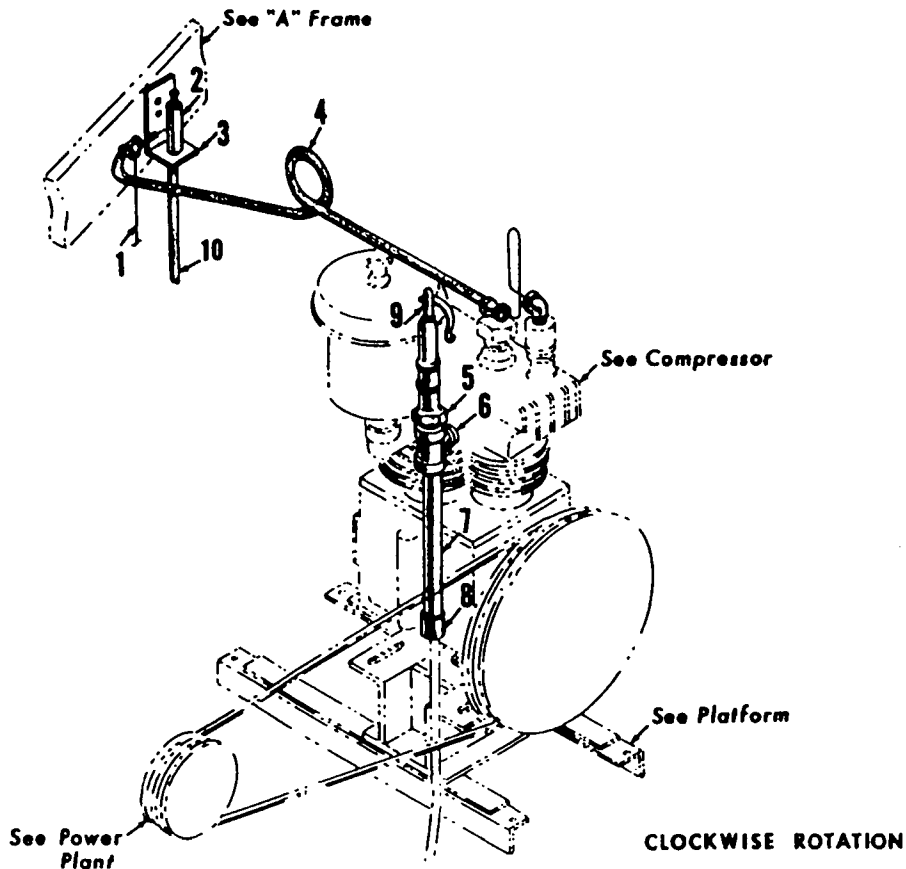
41415 E1 Cont'd.

PLEASE GIVE MACHINE S/N W/ORDER

MANITOWOC ENGINEERING CO.

A Division of The Manitowoc Company, Inc.

Manitowoc, Wisconsin



50549A1

MATERIAL LIST ON BACK

COPYRIGHT © 1954 MANITOWOC ENGINEERING CO.

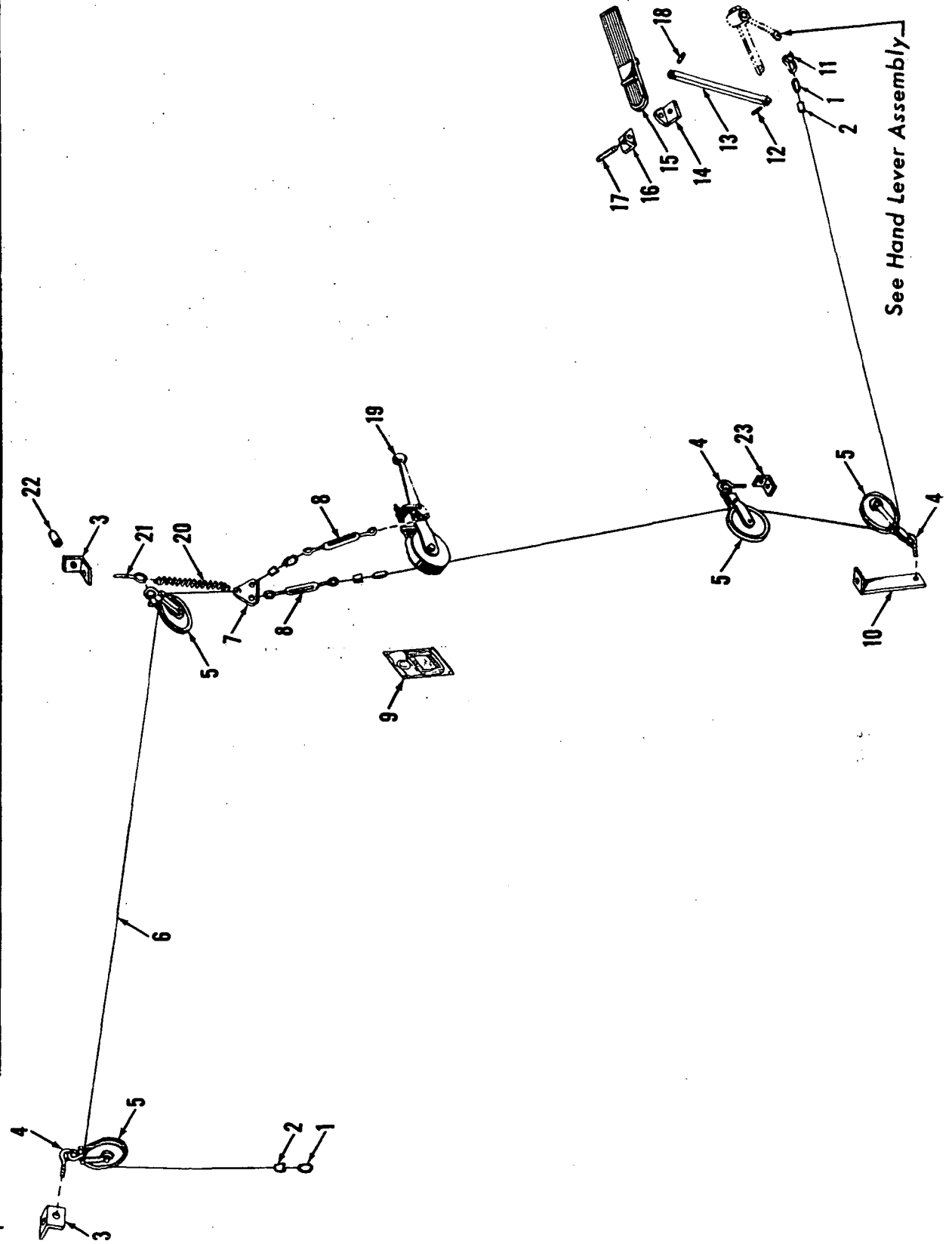
MANITOWOC ENGINEERING CO.

A Division of The Manitowoc Company, Inc.

Manitowoc, Wisconsin

MANILA

30268-B-1



See Hand Lever Assembly

30268-B-1

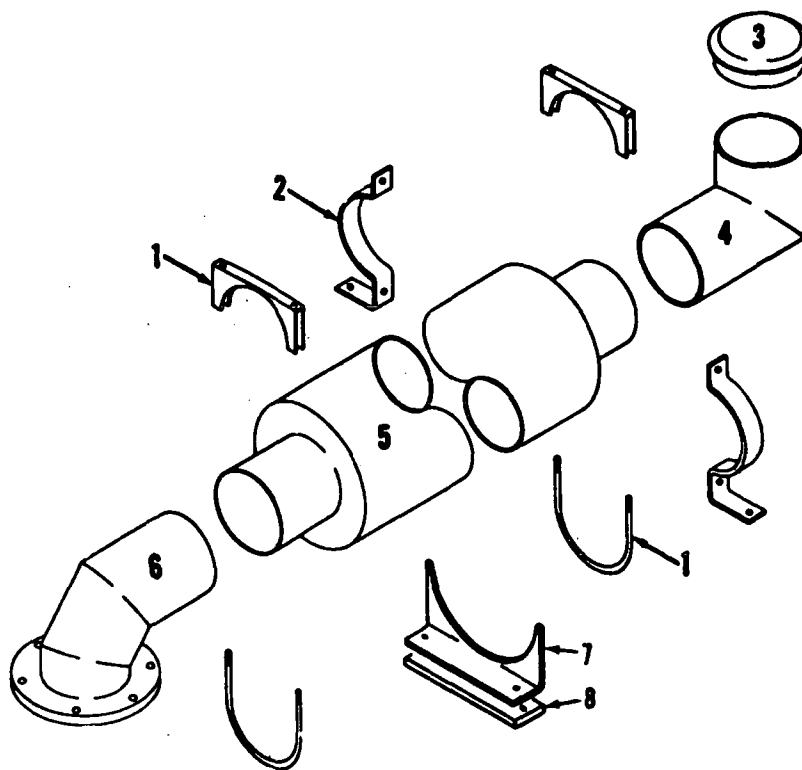
MATERIAL LIST ON BACK

GOVERNOR CONTROL ASSEMBLY

MANITOWOC ENGINEERING CO.

A Division of The Manitowoc Company, Inc.

Manitowoc, Wisconsin



9108081

MATERIAL LIST ON BACK

MIFFLER

32233-1 Cont.	REV. B	MODEL 3900-4000
---------------	--------	-----------------

LUBRICATING PIPING
(CARBODY)

REF. NO.	PART NUMBER	QUANTITY REQUIRED	DESCRIPTION OF PART	VENDORS PART NO.
7			<u>SPRING THRUST WASHER-RIGHT</u>	
	696216	1	TUBE, Copper (3/8" O.D.) (Specify Length)	
	429020	1	EXTENSION (1/8")	
	429373	1	ELBOW (3/8" x 1/8")	
	429367	2	CONNECTOR (3/8" x 1/4")	
	429010	1	GR. FITTING (1/4")	
	543564	1	NIPPLE (1/4" x 3")	
	377202	2	COUPLING (1/4")	
8			<u>SPRING THRUST WASHER-LEFT</u>	
	696216	1	TUBE, Copper (3/8" O.D.) (Specify Length)	
	429020	1	EXTENSION (1/8")	
	429373	1	ELBOW (3/8" x 1/8")	
	429367	2	CONNECTOR (3/8" x 1/4")	
	429010	1	GR. FITTING (1/4")	
	543564	1	NIPPLE (1/4" x 3")	
	377202	2	COUPLING (1/4")	
9			<u>TRAVEL SHAFT OUTER-LEFT</u>	
	696216	1	TUBE, Copper (3/8" O.D.) (Specify Length)	
	429020	1	EXTENSION (1/8")	
	429373	1	ELBOW (3/8" x 1/8")	
	429367	2	CONNECTOR (3/8" x 1/4")	
	429010	1	FITTING, Grease (1/4")	
	543564	1	NIPPLE (1/4" x 3")	
	377202	2	COUPLING (1/4")	
10			<u>TRAVEL SHAFT OUTER-RIGHT</u>	
	696216	1	TUBE, Copper (3/8" O.D.) (Specify Length)	
	429020	1	EXTENSION (1/8")	
	429373	1	ELBOW (3/8" x 1/8")	
	429367	2	CONNECTOR (3/8" x 1/4")	
	429010	1	FITTING, Grease (1/4")	
	543564	1	NIPPLE (1/4" x 3")	
	377202	2	COUPLING (1/4")	
11			<u>TRAVEL SHAFT (OUTER BEARING) (ONE EACH SIDE)</u>	
	429032	2	BUSHING, Reducing (1/4" x 1/8")	
	429000	2	GR. FITTING (1/8")	
12			<u>TRAVEL SHAFT (PILOT BEARING) (ONE EACH SIDE)</u>	
	429032	2	BUSHING, Reducing (1/4" x 1/8")	
	429000	2	GR. FITTING (1/8")	
13	23935	1	SUPPORT W/capscrews, hex nuts and lockwashers	

0-147

REV. B	32233 - 1
--------	-----------

PLEASE GIVE MACHINE S/N W/ORDER

RUN AS FRONT

32233 B1 Cont.

42396-2 Cont	REV C	MODEL 3000W-3400-3600-3900-3900W-4000W
--------------	----------	---

STEERING CONTROL
(CARBODY)

REF NO	PART NUMBER	QUANTITY REQUIRED	DESCRIPTION OF PART	VENDORS PART NO
11	647552	1	SPACER	
12	548632	1	NUT, Hex	
14	22924	1	YOKE, Plunger	
<u>FOR AIR TRAVEL LOCKS PRIOR TO DESIGN CHANGE OF SEPT 21, 1966</u>				
22	18843	1	GASKET	
23	18840	1	HEAD, Plunger Shaft W/capscrews and flatwasher (see note 1)	
24	552686	2	PACKING, Vee Block	
25	18838	1	BASE W/mach screw, jam nut and lockwasher	
26	18839	1	COVER	
27	543442	1	NIPPLE	
28	18841	1	GUIDE W/capscrews, hex nuts and lockwashers	
NOTE 1 Per design change of Oct 16, 1961, capscrew and washer deleted Part #18840 grooved for snap ring #596663				
NOTE 2 For machine W/Manual Travel Lock Control, delete Ref Nos 7, 27, and 28, and plug air passage with 1/4" pipe plug				

REV C	42396 - 2
----------	-----------

PLEASE GIVE MACHINE S/N W/ORDER

MASTER

RU FRONT

42396 Cont

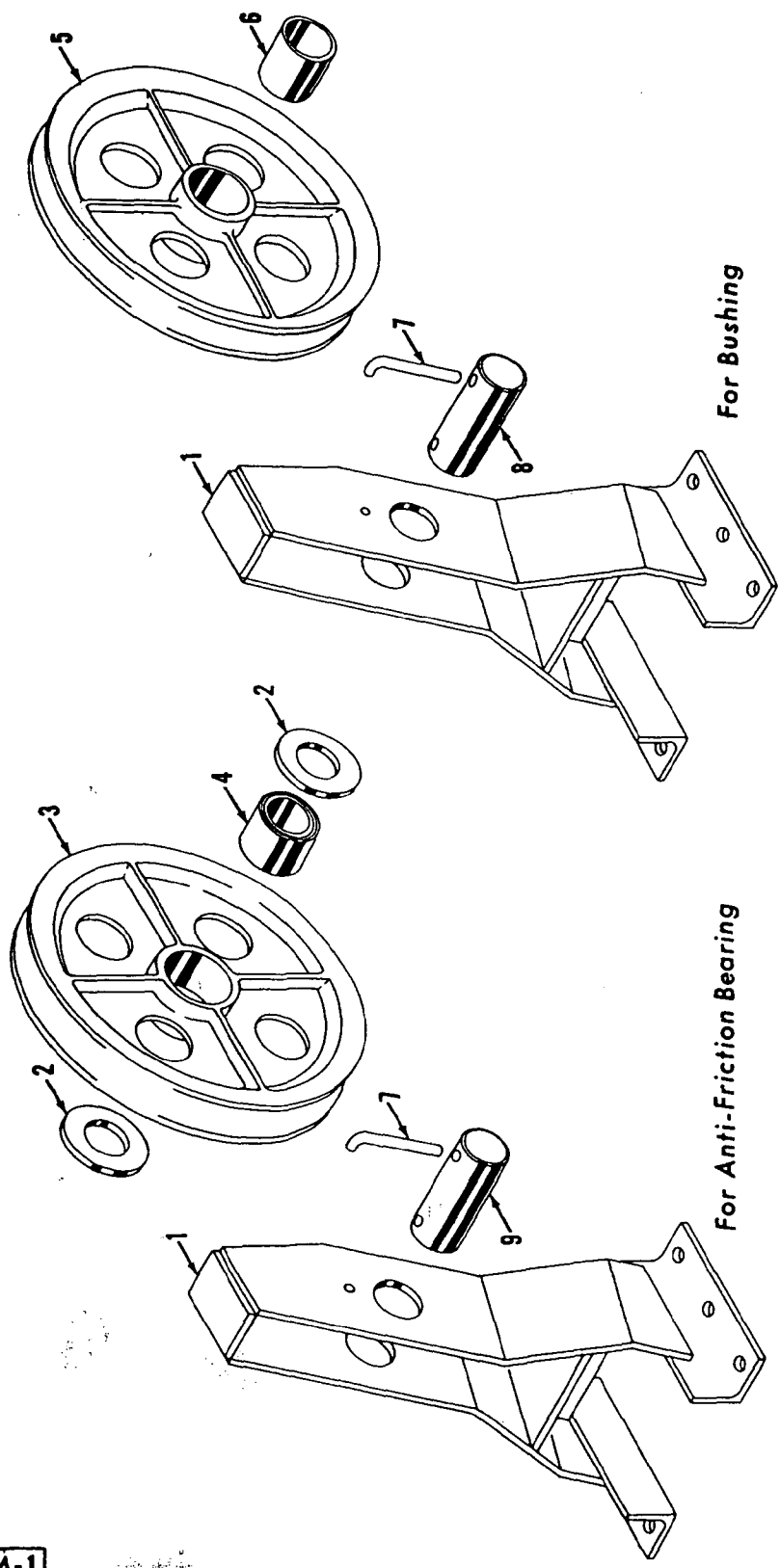
GROUP F - Attachments

MASTER

MANITOWOC ENGINEERING CO.

A Division of The Manitowoc Company, Inc.

Manitowoc, Wisconsin



For Bushing

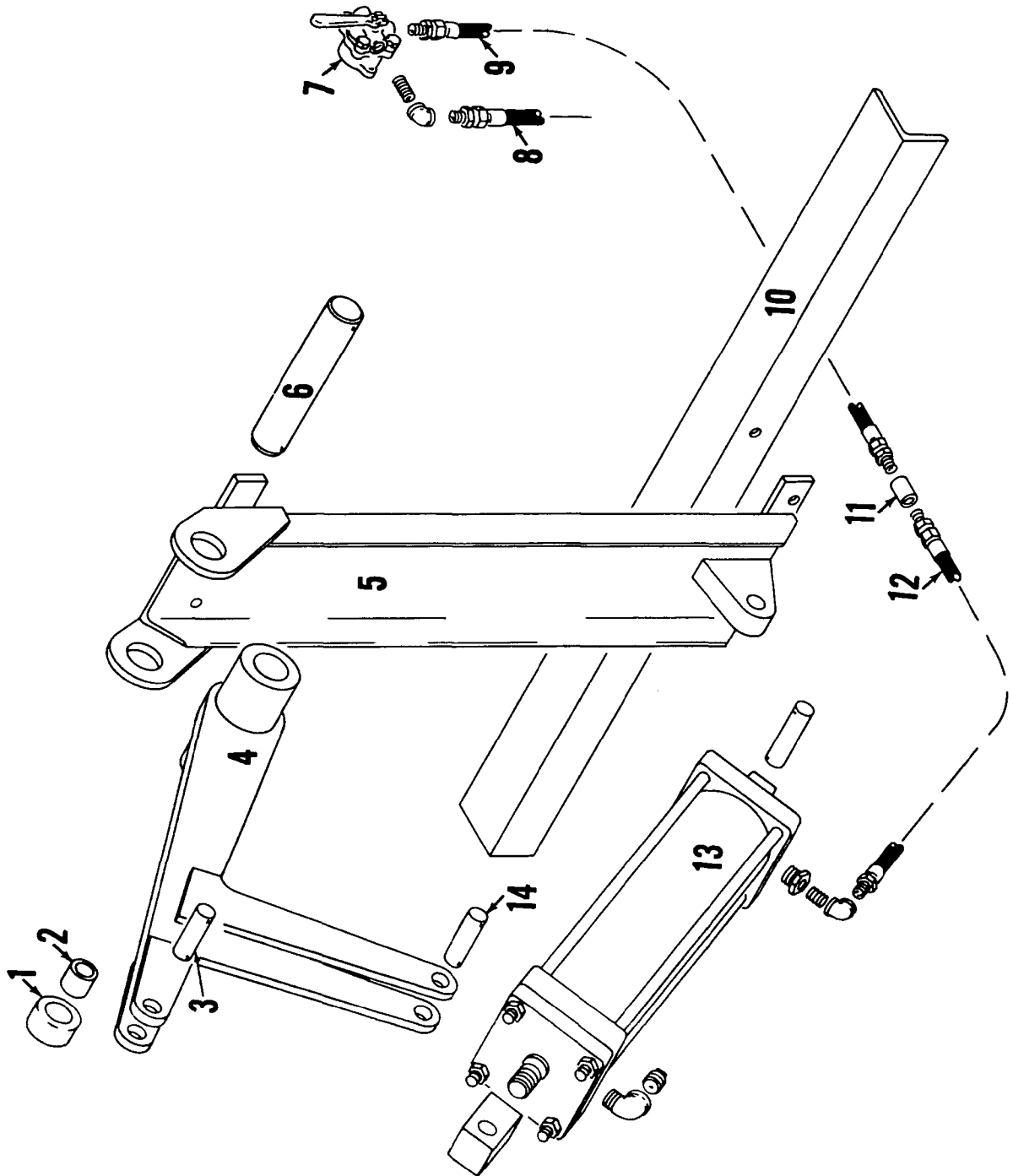
For Anti-Friction Bearing

ILLUST. No. 23947-A-1

MATERIAL LIST ON BACK

JIB ROPE GUIDE ASSEMBLY

274 / 111



3256981

MATERIAL LIST ON BACK

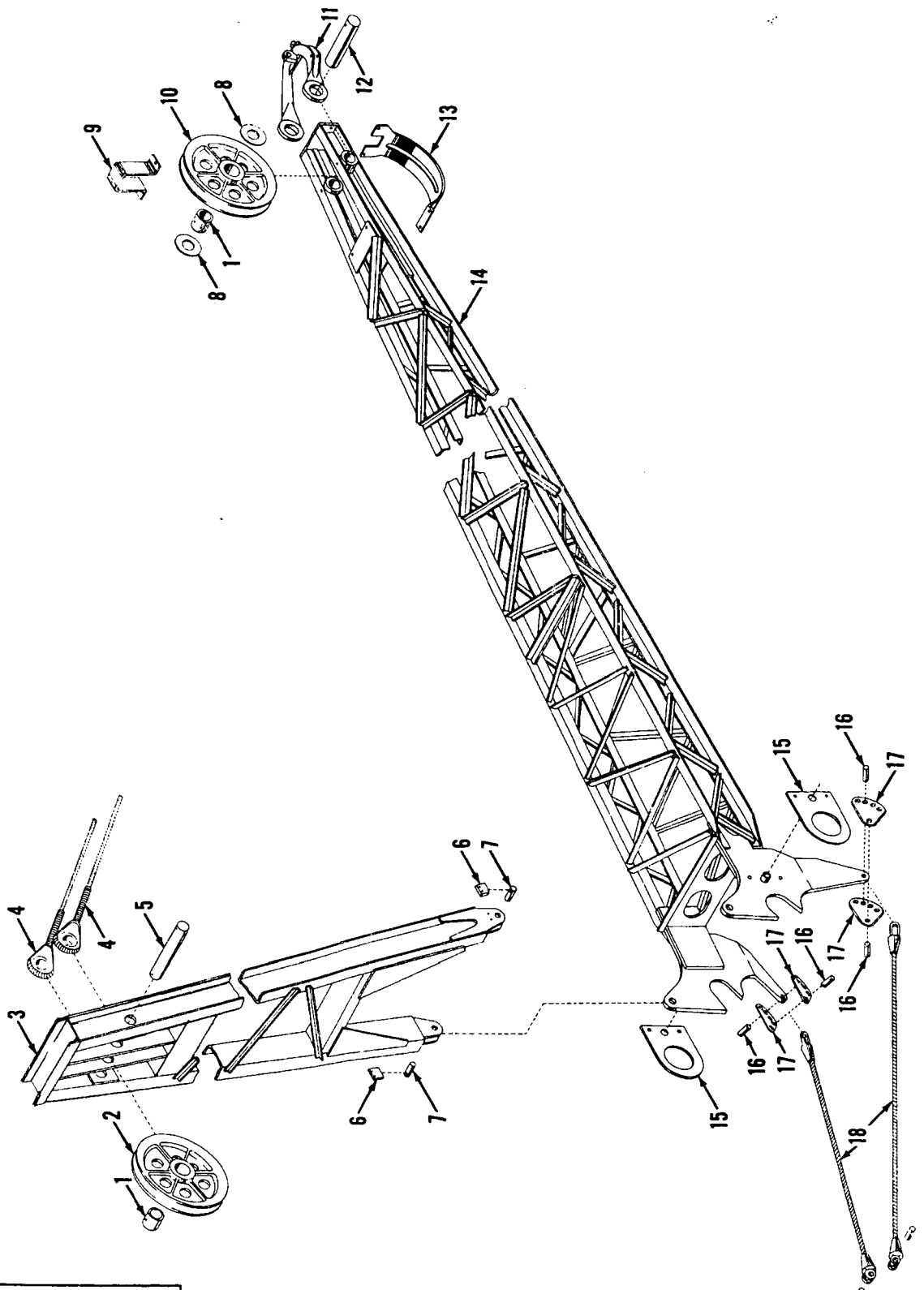
GANTRY LIFTING DEVICE

MASTER

MANITOWOC ENGINEERING CO.

A Division of the Manitowoc Company, Inc.

Manitowoc, Wisconsin



42484 - A-1

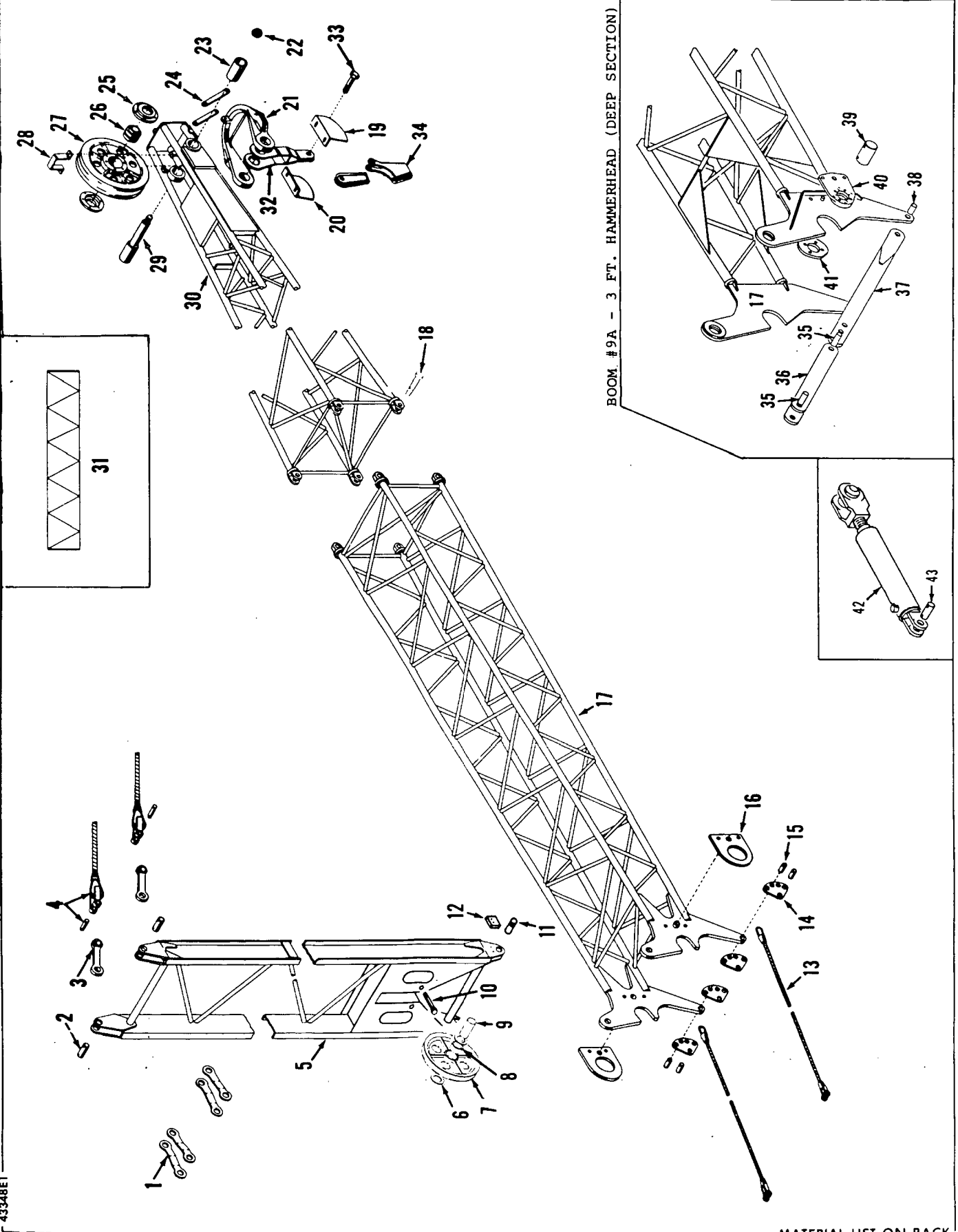
ILLUST. No. 42484 - A-1

MATERIAL LIST ON BACK

MANITOWOC ENGINEERING CO.

A Division of The Manitowoc Company, Inc.

Manitowoc, Wisconsin



BOOM #9A - 3 FT. HAMMERHEAD (DEEP SECTION)

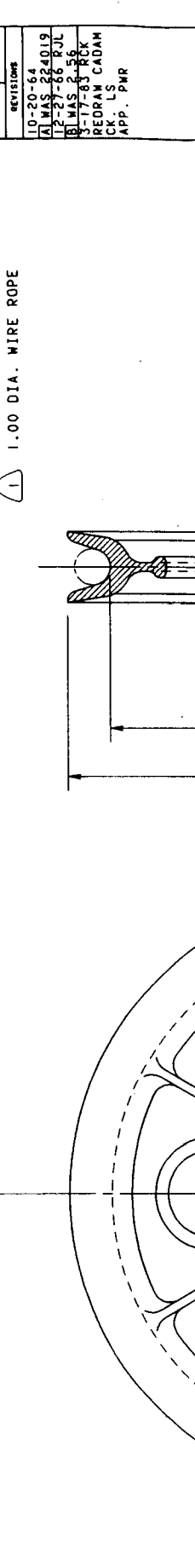
43348E1

MATERIAL LIST ON BACK

JIB NO. 124

BILL OF MATERIAL		MATERIAL		QUANTITY		REVISIONS	
ITEM NO.	DESCRIPTION	QTY	UNIT	REV.	DATE	BY	APP.
1	SHEAVE	1	EA	1	180057		
2	BEARING RETAINER	1	EA	1	180064		
					48693		
					161805		

1.00 DIA. WIRE ROPE



10-20-64
 AL MAS 224019
 12-27-66 RUL
 180064
 3-17-83 RCK
 REDRAN CADAM
 CK LS
 APP. PWR

REV. NO. 73741

DATE 9-18-62

PART NO. 73741

DESCRIPTION SHEAVE ASSEMBLY FOR BOOM RIGGING

MANITOWOC ENGINEERING CO.

NOTICE: THIS DRAWING IS THE PROPERTY OF MANITOWOC ENGINEERING CO. IT IS TO BE KEPT IN CONFIDENCE AND NOT TO BE REPRODUCED OR TRANSMITTED IN ANY FORM OR BY ANY MEANS, ELECTRONIC OR MECHANICAL, INCLUDING PHOTOCOPYING, RECORDING, OR BY ANY INFORMATION STORAGE AND RETRIEVAL SYSTEM.

MANITOWOC ENGINEERING CO.
 SHEAVE ASSEMBLY FOR
 BOOM RIGGING

REV. NO. 73741

DATE 9-18-62

PART NO. 73741

DESCRIPTION SHEAVE ASSEMBLY FOR BOOM RIGGING

MANITOWOC ENGINEERING CO.

NOTICE: THIS DRAWING IS THE PROPERTY OF MANITOWOC ENGINEERING CO. IT IS TO BE KEPT IN CONFIDENCE AND NOT TO BE REPRODUCED OR TRANSMITTED IN ANY FORM OR BY ANY MEANS, ELECTRONIC OR MECHANICAL, INCLUDING PHOTOCOPYING, RECORDING, OR BY ANY INFORMATION STORAGE AND RETRIEVAL SYSTEM.

MANITOWOC ENGINEERING CO.
 SHEAVE ASSEMBLY FOR
 BOOM RIGGING

REV. NO. 73741

DATE 9-18-62

PART NO. 73741

DESCRIPTION SHEAVE ASSEMBLY FOR BOOM RIGGING

MANITOWOC ENGINEERING CO.

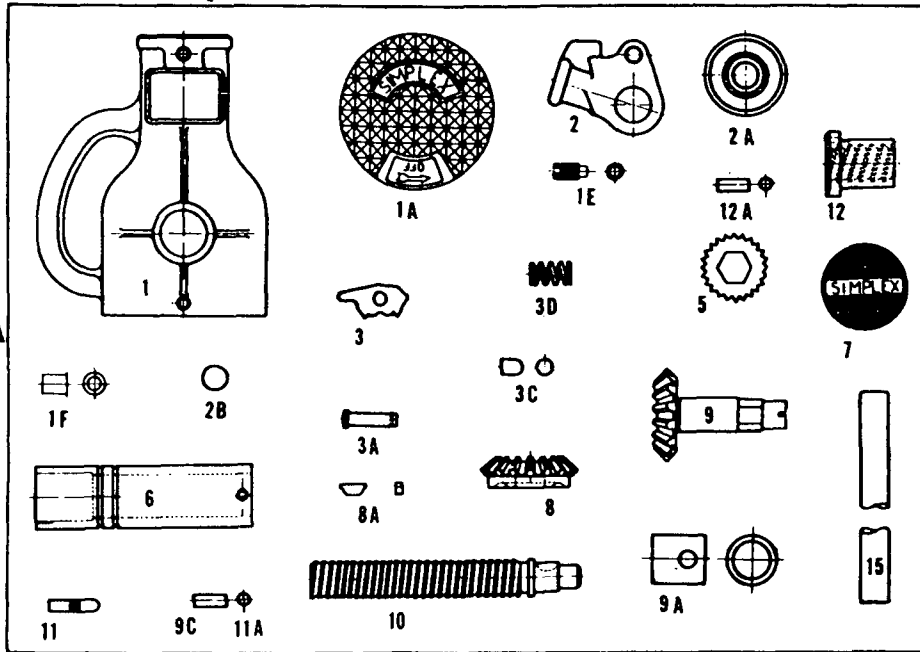
O-NUMBER NUMERICAL INDEX

PUBLICATION	REV
0-71	-
0-72	B
0-113	-
0-114	-
0-145	A1
0-145	A2
0-147	D2
0-148	-
0-156	D
0-157	B
0-173	A
0-241	A
0-241	B
0-284	A
0-313	A
0-313	A1
0-315	B1
0-325	B
0-415	B1
0-471	A1
0-513	-
0-506	-

15 Ton Jack-Manitowoc No. 496408

Simplex Standard Speed Journal Jack

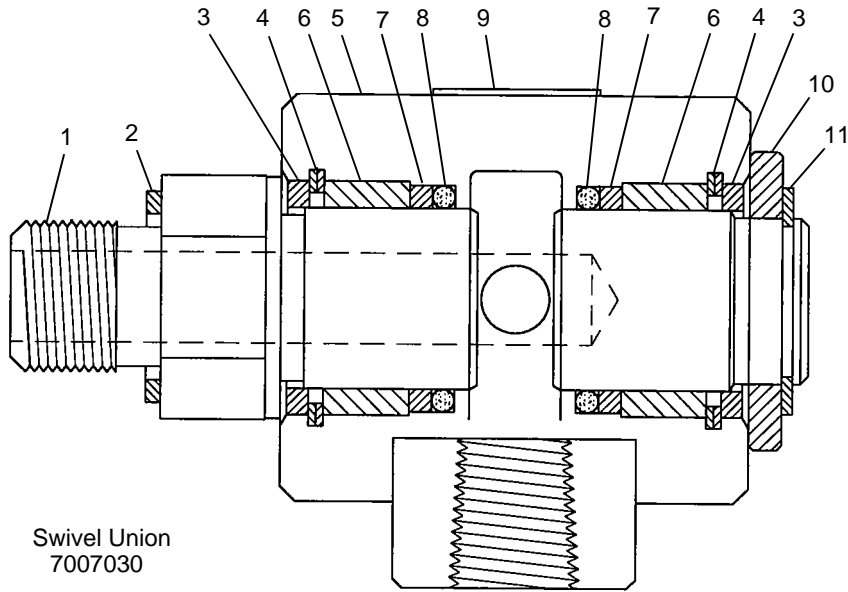
No. 1510A



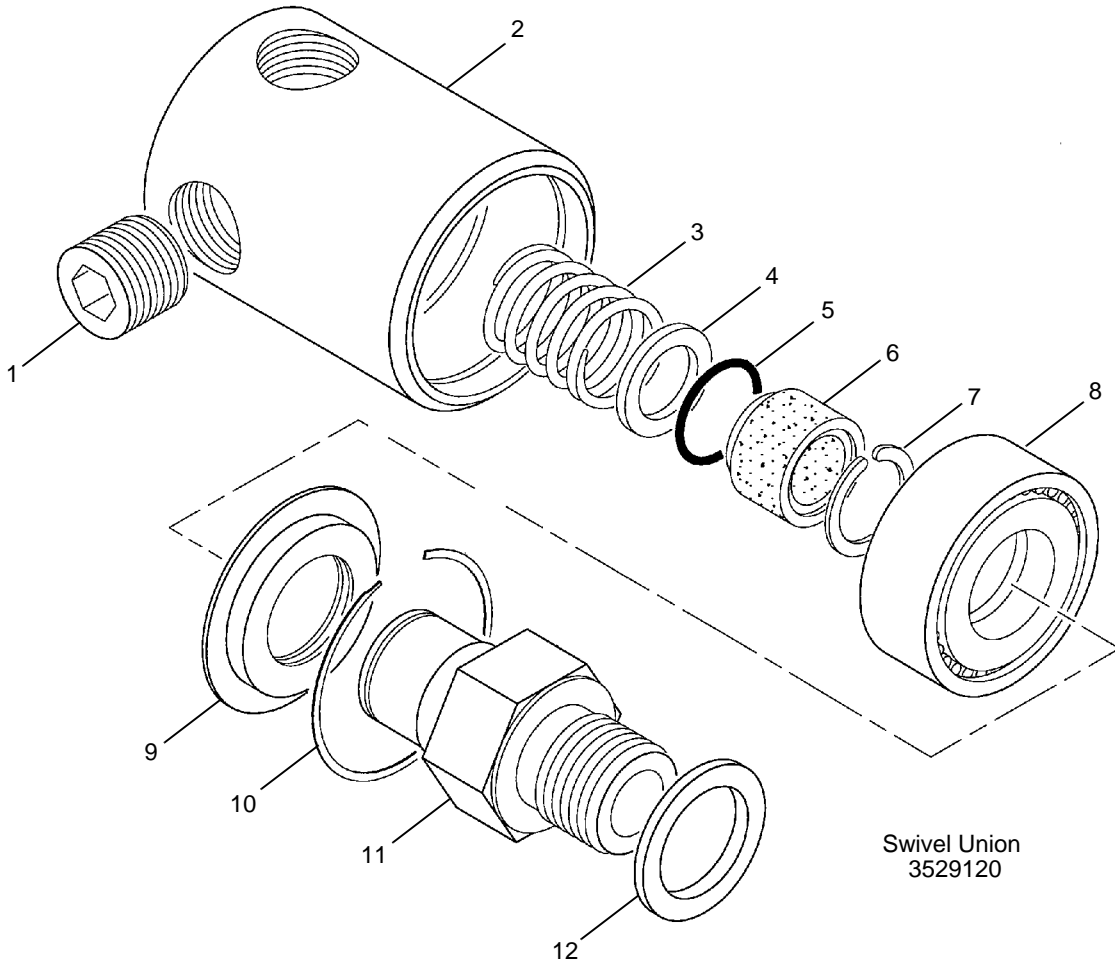
Item No.	Jack No. 1510A	
	Part No.	Name of Part
1	1510A-1	Housing (Incl. Items 9A, 9C, 1F, 11 and 11A)
1A	1510A-1A	Base
1E	3510-1E	Base Set Screw
1F	1510-1A	Oil Cup
2	1510-2	Lever Socket
2A	1510A-2A	Ball Race
2B	1B-4A	Ball . . . 11-Req.
3	1510-3	Pawl
3A	1510-3A	Pawl Pin
3C	1510-3C	Plunger
3D	610-2D	Plunger Spring
5	1510-5	Ratchet Wheel
6	1510A-6	Sleeve
7	1510A-7	Cap
8	1510-8	Gear
8A	550-9	Gear Key
9	1510-9	Pinion Gear
9A	1510A-9A	Pinion Bushing
9C	1510-9C	Pinion Bushing Pin
10	1510A-10	Screw
11	1510A-11	Key
11A	141-14C	Key Pin
12	1510A-12	Nut
12A	1510A-12A	Nut Pin
15	1½B-9	2½ Ft. Round Lever Bar

In ordering, specify the PART NUMBER, NAME OF PART and JACK NUMBER.

MASTER



Swivel Union
7007030

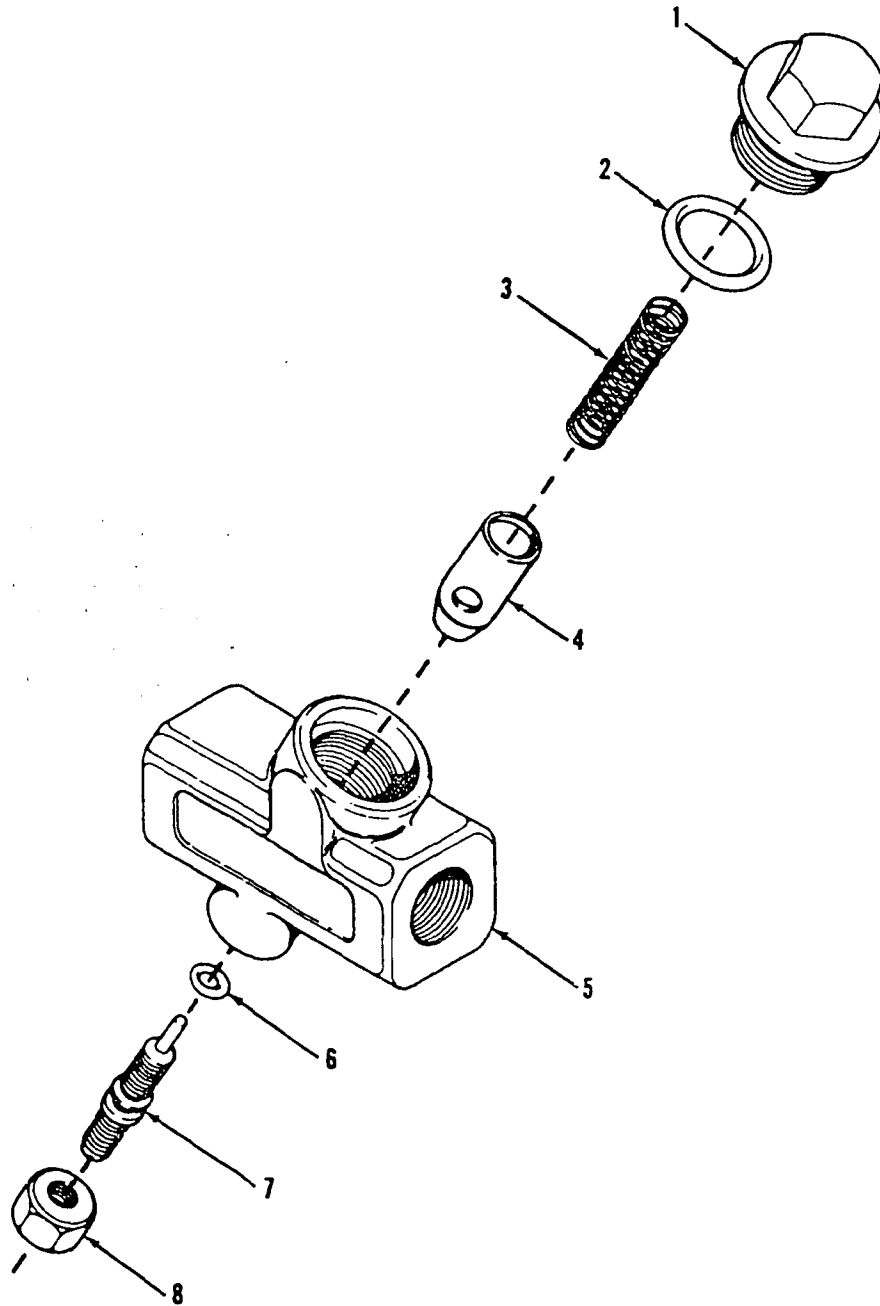


Swivel Union
3529120

ASSEMBLY	REVISION
O-157	B

SWIVEL UNION

WASIEK



0-415-1 Cont	REV. B	MODEL 2000-4600 Incl., 6400, 36' P.R., 60' P.R., S.C.-240
--------------	-----------	--

(MANITOWOC #717268 - SPRAGUE #MA-100-60 W/GCr - 851-1.5)
 (MANITOWOC #717269 - SPRAGUE #MA-100-70 W/GCr - 856 - 4) SEE NOTE 1
 (MANITOWOC #717270 - SPRAGUE #MA-100-105 W/GCr- 856 - 4)

REF. NO.	PART NUMBER	QUANTITY REQUIRED	DESCRIPTION OF PART	VENDORS PART NO.
			<p>The vendor is Sprague Devices, Inc., Michigan City, Indiana. Please so specify if ordering from Manitowoc Engineering Co.</p> <p><u>NOTE 1:</u> Manitowoc Aluminum bodied wiper motors 717268, 717269, 717270 supersede brass bodied wiper motors 717212, 717210, 717203 respectively. All parts listed above can be used to repair the previously used brass bodied motors.</p> <p>* Parts included in Sprague Repair Kit #43.</p> <p>** The suffix - 1.5 or -4 denotes the length in inches that the shaft extends from the motor.</p> <p>*** The suffix -60, -70, -105 designates degree of wiper swing.</p>	

Run as a Front
MASTER

0-415-B1 Cont

REV. B	0-415-1
-----------	---------

PLEASE GIVE MACHINE S/N W/ORDER

CLICK HERE TO **DOWNLOAD** THE COMPLETE MANUAL

- Thank you very much for reading the preview of the manual.
- You can download the complete manual from: www.heydownloads.com by clicking the link below



- Please note: If there is no response to CLICKING the link, please download this PDF first and then click on it.

CLICK HERE TO **DOWNLOAD** THE COMPLETE MANUAL