

Manitowoc

TRADITIONAL CRANE PARTS MANUAL

This manual has been prepared for and is considered part of

3500

Model

3858

Serial Number

GROUP A = Rotating Structure (Includes rotating bed, operator's cab, cases, fuel tanks, transfer pump, counterweights, guards, platforms, catwalks, machinery enclosure, horn)

GROUP B = Upperworks Machinery (Includes front, rear, and auxiliary drums, boom hoist, swing and drive shafts, hand levers, foot pedals, control linkage, rotation indicators, upperworks hydraulic components, hydraulic piping, hydraulic oil reservoir, lubrication pump and piping, blowers)

GROUP C = Air Components & Electrical (Includes control console, air piping, electric wiring, auxiliary light plant and lighting, TV monitoring, compressor and air tank)

GROUP D = Power Components - Upperworks (Includes engine or motor, radiator, auxiliary power plant, take off converters and piping, controls, VICON power lowering, torque limiter, hydraulic pumps and piping, fuel piping, battery box)

GROUP E = Lower Structure & Control (Includes carbody, crawlers, travel shafts and control, steering travel locks, hydraulic travel, travel power outriggers, carrier, pedestal, lowerworks hydraulic piping, RINGER components, barge mounting and machinery, spud drums)

GROUP F = Attachments (Includes booms, jibs, masts, tower, wire rope guides, equalizer, gantry, fairlead, timber guards, boom angle indicator, block-up limit, tag line, hook block, weight ball, upper and lower boom point, wind speed indicator, crowd and retract dipper sticks, dippers,)

O-NUMBER SECTION = (Includes lacing drawings and purchased component parts drawings referenced in sections A through F)

This manual is arranged in sections as listed above. Sections A through F are arranged by group numerical order with an index after each section tab. An alphabetical index for groups A Through F combined is located after the O-number Section. The O-number section is arranged in numerical order by O-number. Following this cover page are the Basic Specifications, Warranty Information, Tool List (if applicable) Outline Dimensions, Weights, and Dealer Listing.

CLICK HERE TO **DOWNLOAD** THE COMPLETE MANUAL

- Thank you very much for reading the preview of the manual.
- You can download the complete manual from: www.heydownloads.com by clicking the link below



- Please note: If there is no response to CLICKING the link, please download this PDF first and then click on it.

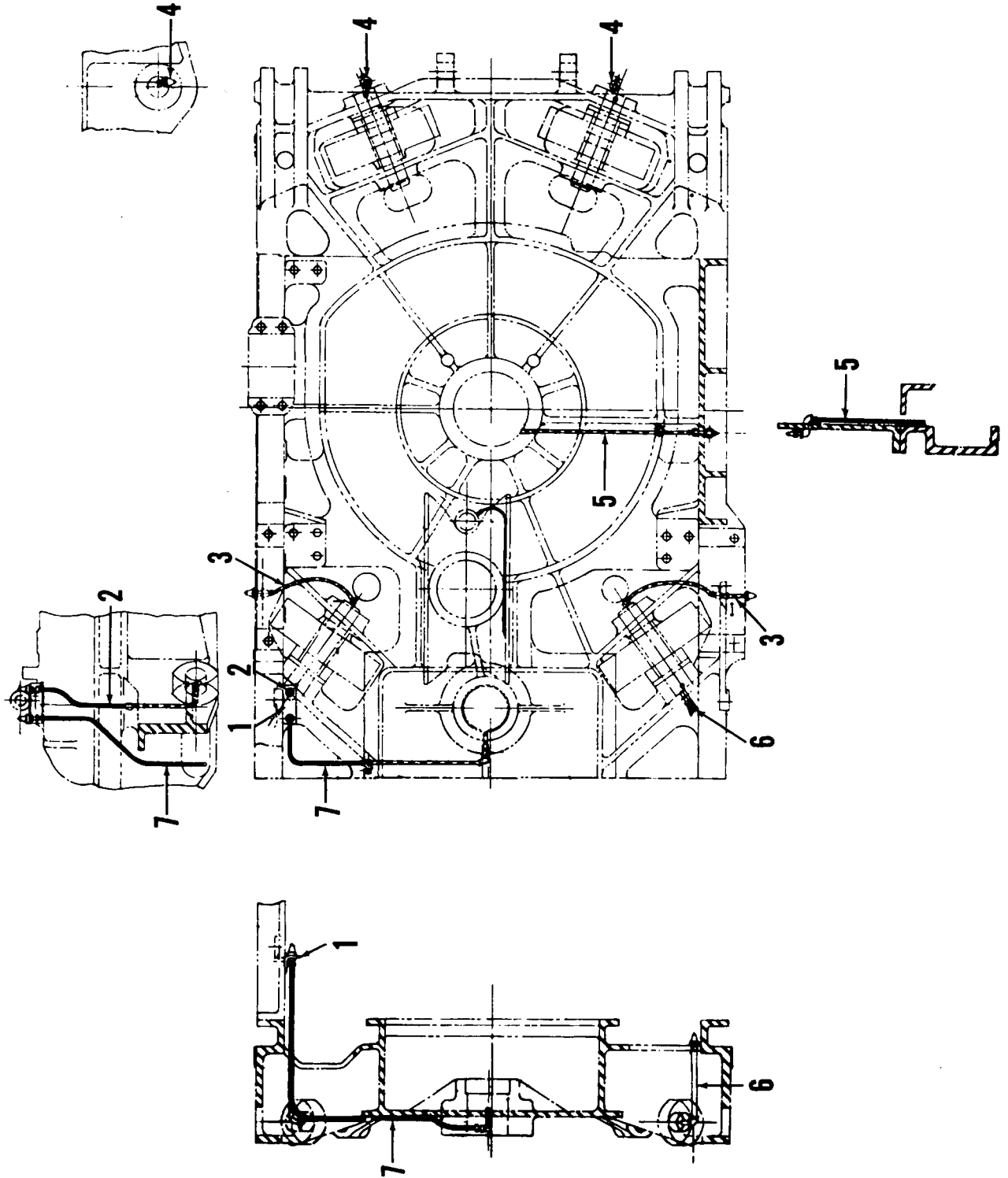
CLICK HERE TO **DOWNLOAD** THE COMPLETE MANUAL

GROUP A - Rotating Structure

MANITOWOC ENGINEERING CO.

A Division of The Manitowoc Company, Inc.

Manitowoc, Wisconsin



30885-A-1

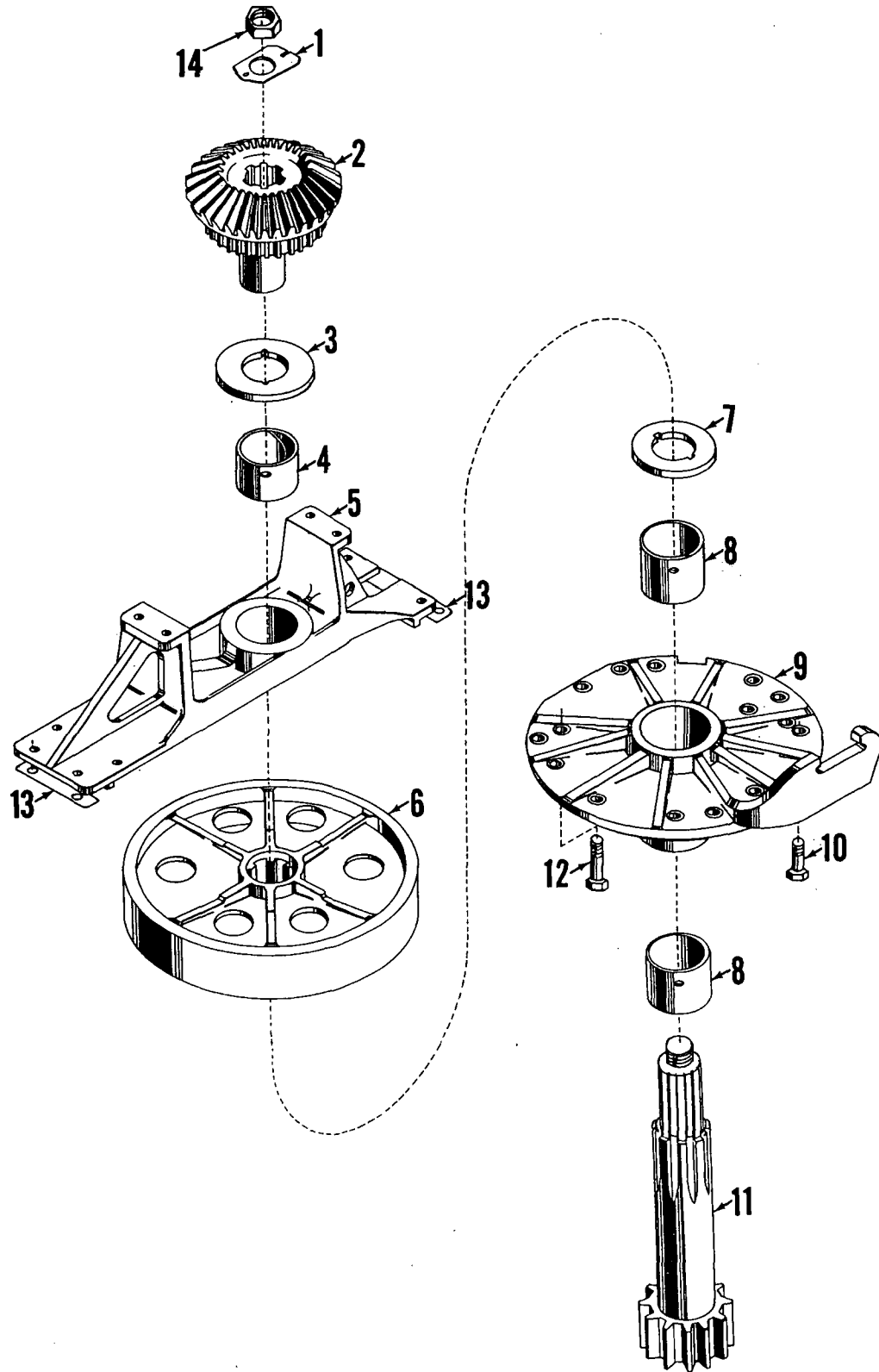
MATERIAL LIST ON BACK

ROTATING BED PIPING

MANITOWOC ENGINEERING CO.

A Division of The Manitowoc Company, Inc.

Manitowoc, Wisconsin



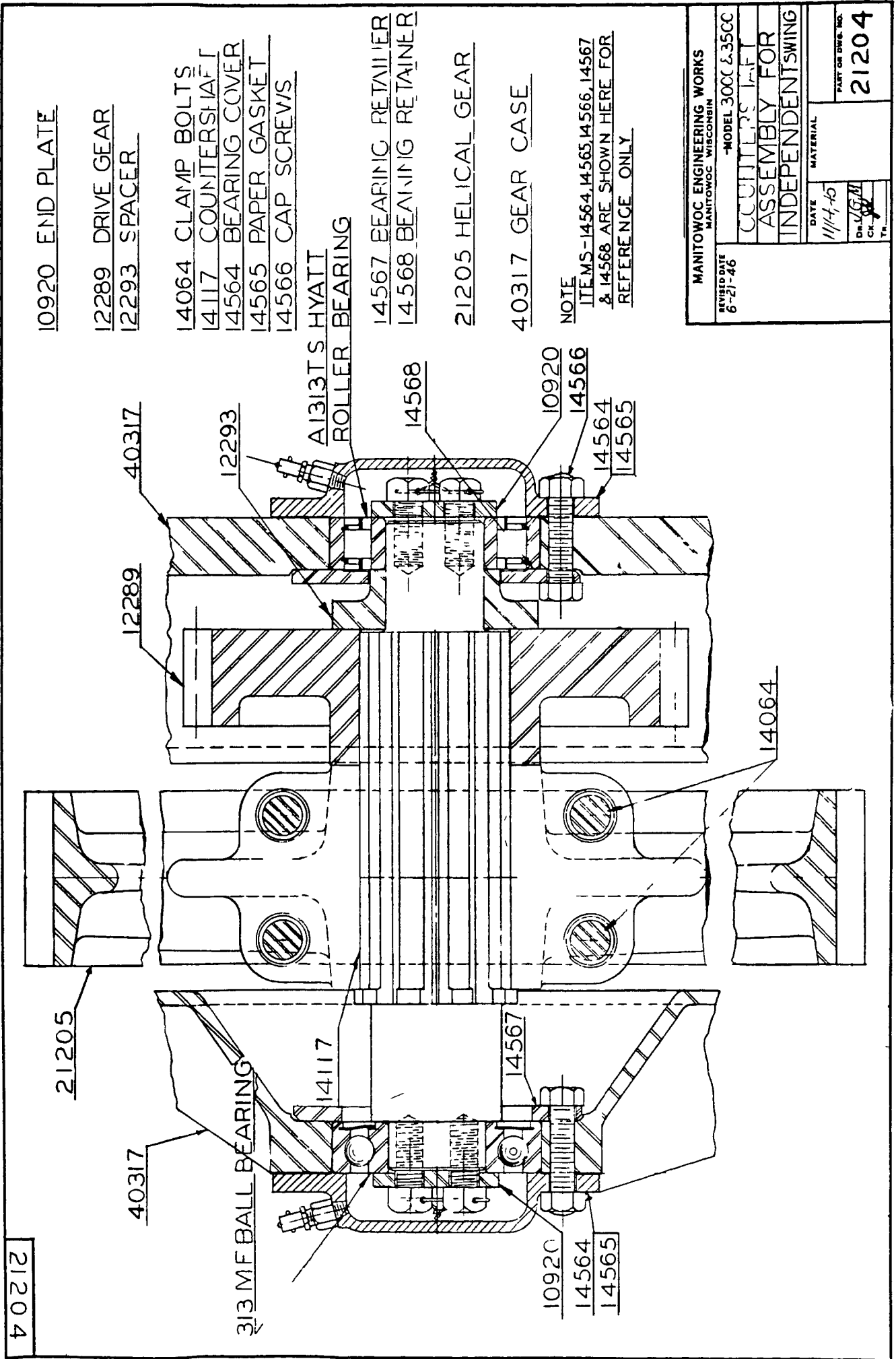
ILLUST. No. 22526 - B-1

MATERIAL LIST ON BACK

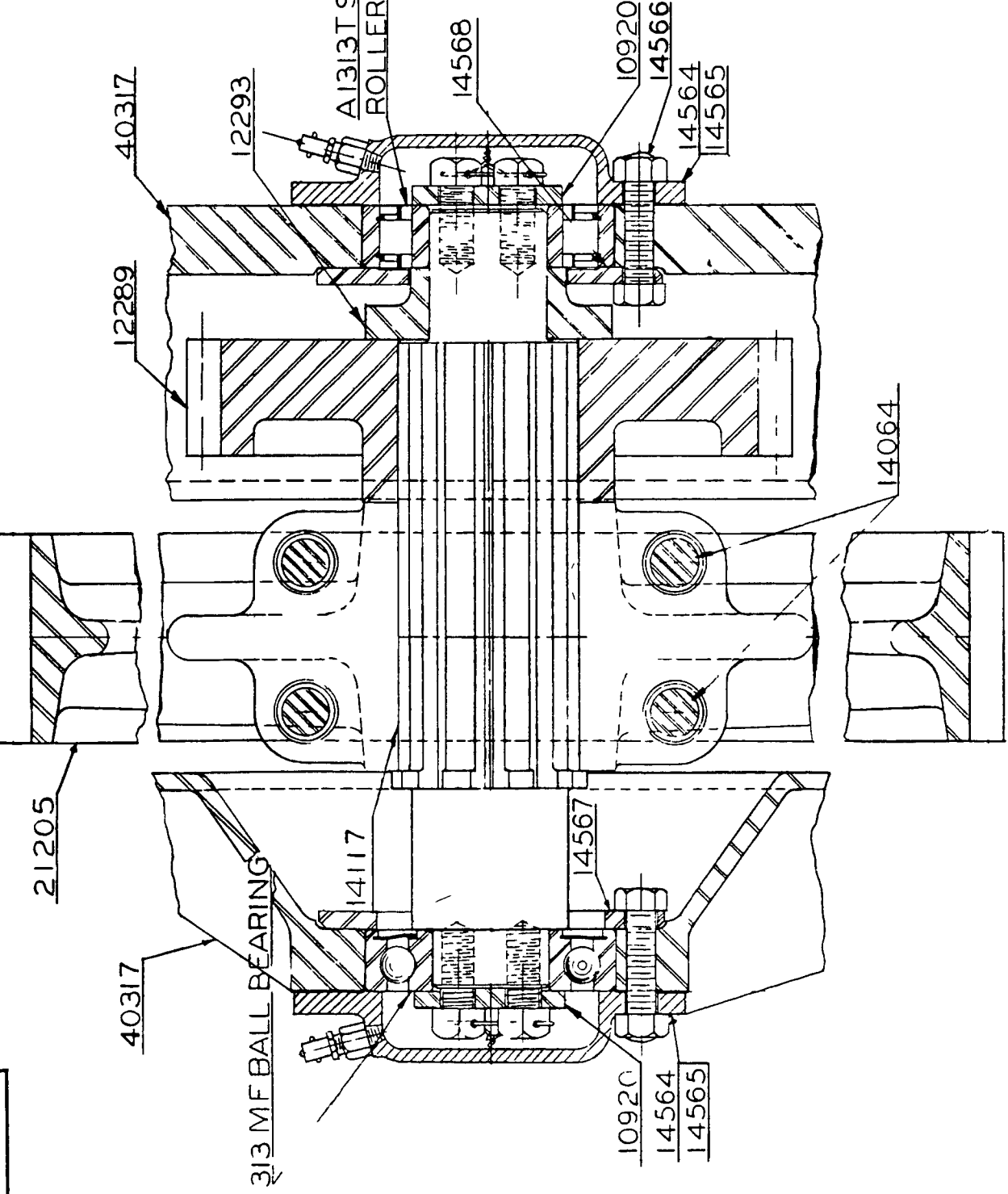
VERTICAL DRIVE SHAFT

MASTER

84.7



21204



- 10920 END PLATE
- 12289 DRIVE GEAR
- 12293 SPACER
- 14064 CLAMP BOLTS
- 14117 COUNTERSHAFT
- 14564 BEARING COVER
- 14565 PAPER GASKET
- 14566 CAP SCREWS

- 14567 BEARING RETAINER
- 14568 BEARING RETAINER
- 21205 HELICAL GEAR
- 40317 GEAR CASE

NOTE
ITEMS - 14564, 14565, 14566, 14567
& 14568 ARE SHOWN HERE FOR
REFERENCE ONLY.

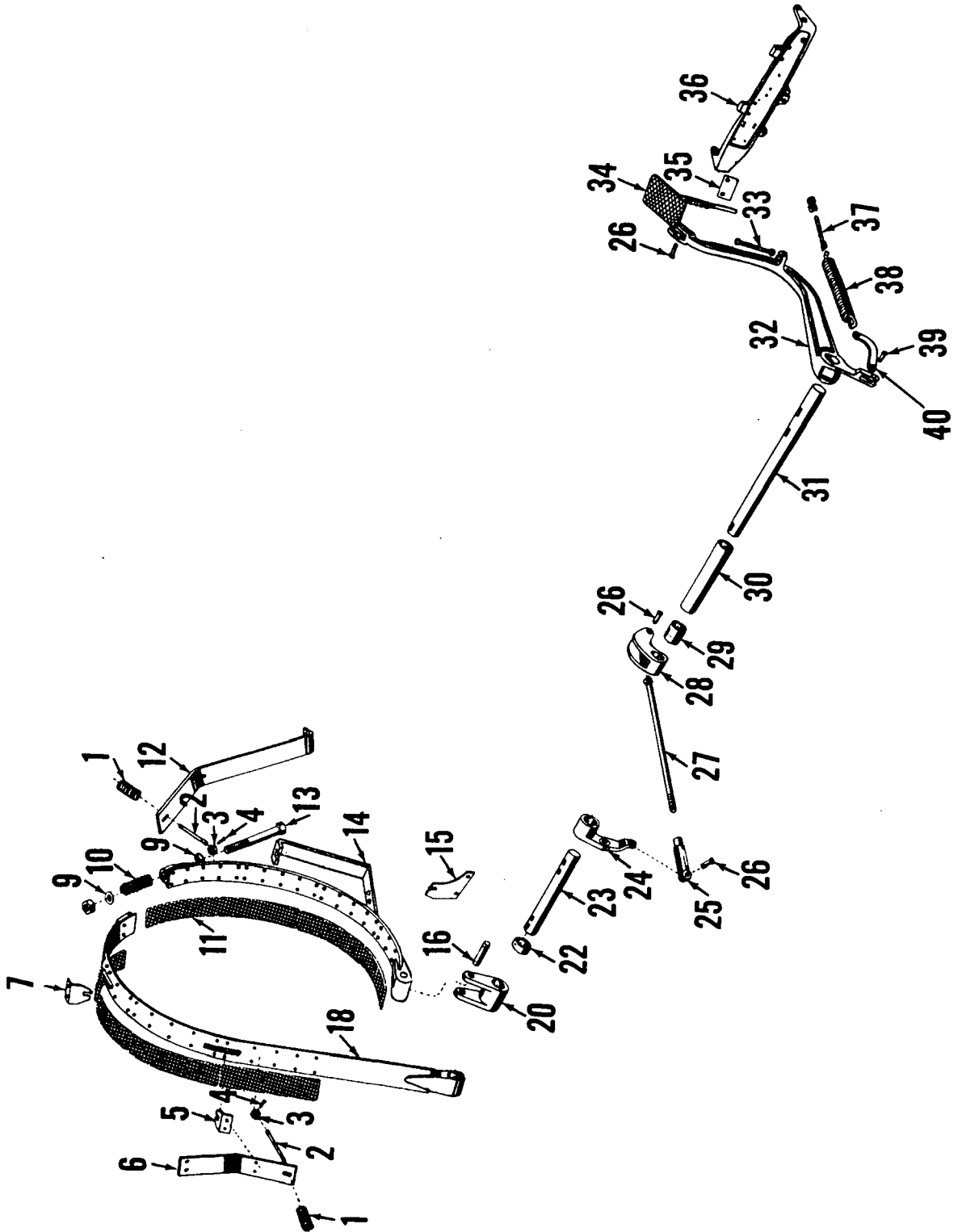
MANITOWOC ENGINEERING WORKS MANITOWOC WISCONSIN	
REVISED DATE 6-27-46	MODEL 300C & 35CC
COUNTERSHAFT ASSEMBLY FOR INDEPENDENT SWING	
DATE 11/14/45	MATERIAL
DR. <u>J. G. M.</u>	PART OR DWG. NO. 21204
CR. <u>[Signature]</u>	
TR.	

MANITOWOC ENGINEERING CO.

A Division of The Manitowoc Company, Inc.

Manitowoc, Wisconsin

MASTER

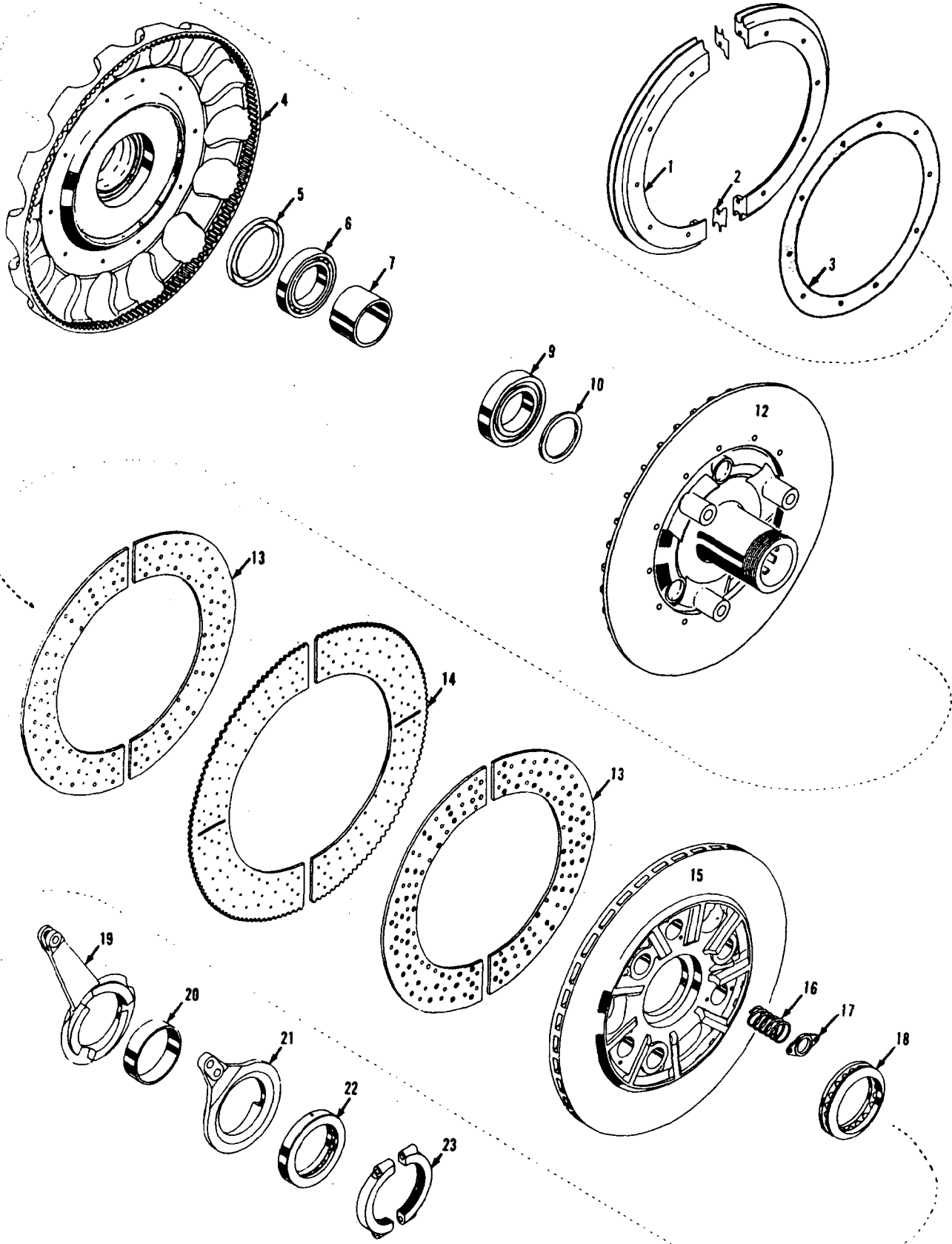


ILLUST. No. 40227-A-1

MATERIAL LIST ON BACK

RIGHT DRUM BRAKE

MASTER



40876C2

MATERIAL LIST ON BACK

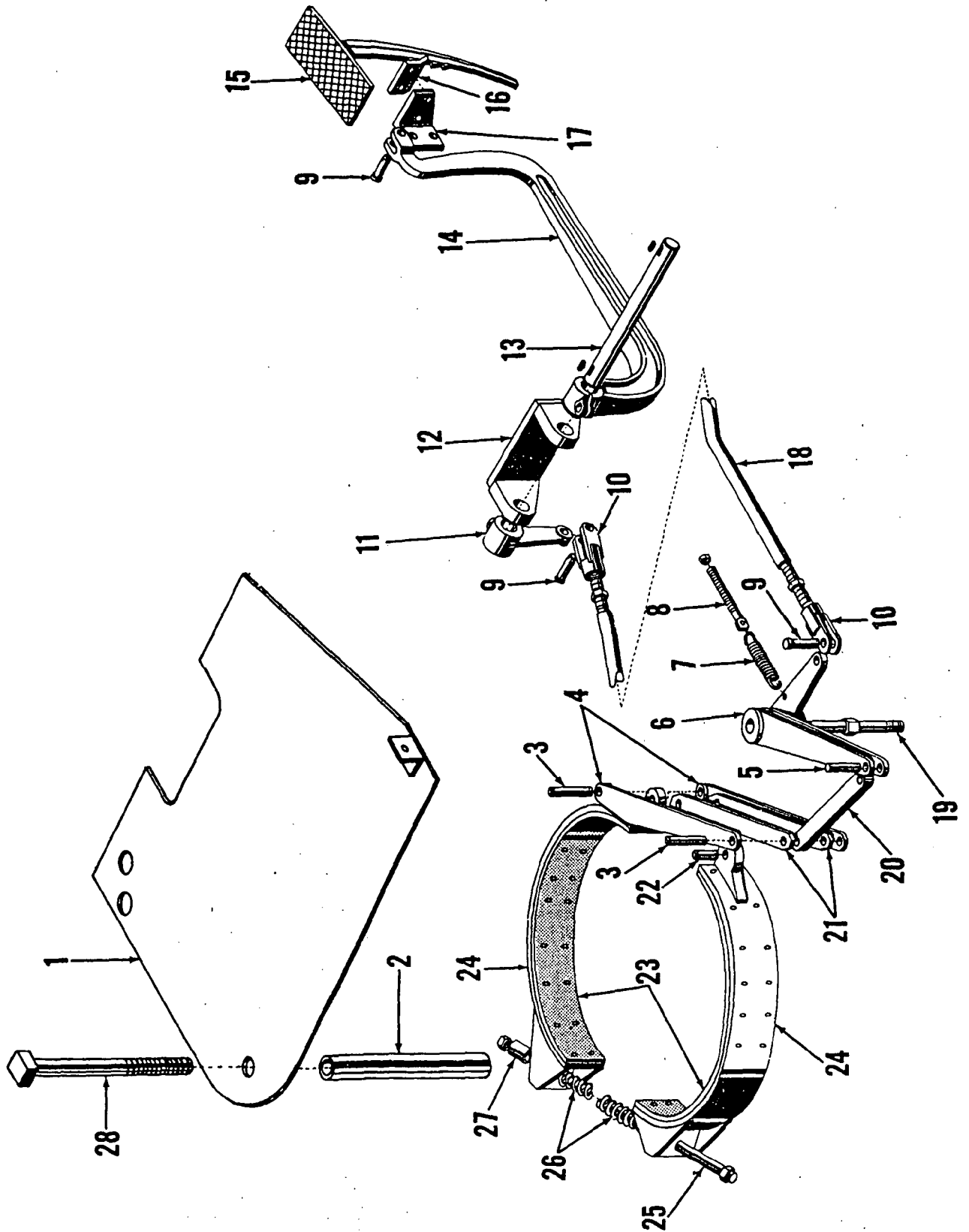
Main Drive Clutch

MANITOWOC ENGINEERING CO.

A Division of The Manitowoc Company, Inc.

Manitowoc, Wisconsin

MASTER



ILLUST. No. 40982-A-1

MATERIAL LIST ON BACK

SWING BRAKE ASSEMBLY

40 3 A1

CLICK HERE TO **DOWNLOAD** THE COMPLETE MANUAL

- Thank you very much for reading the preview of the manual.
- You can download the complete manual from: www.heydownloads.com by clicking the link below



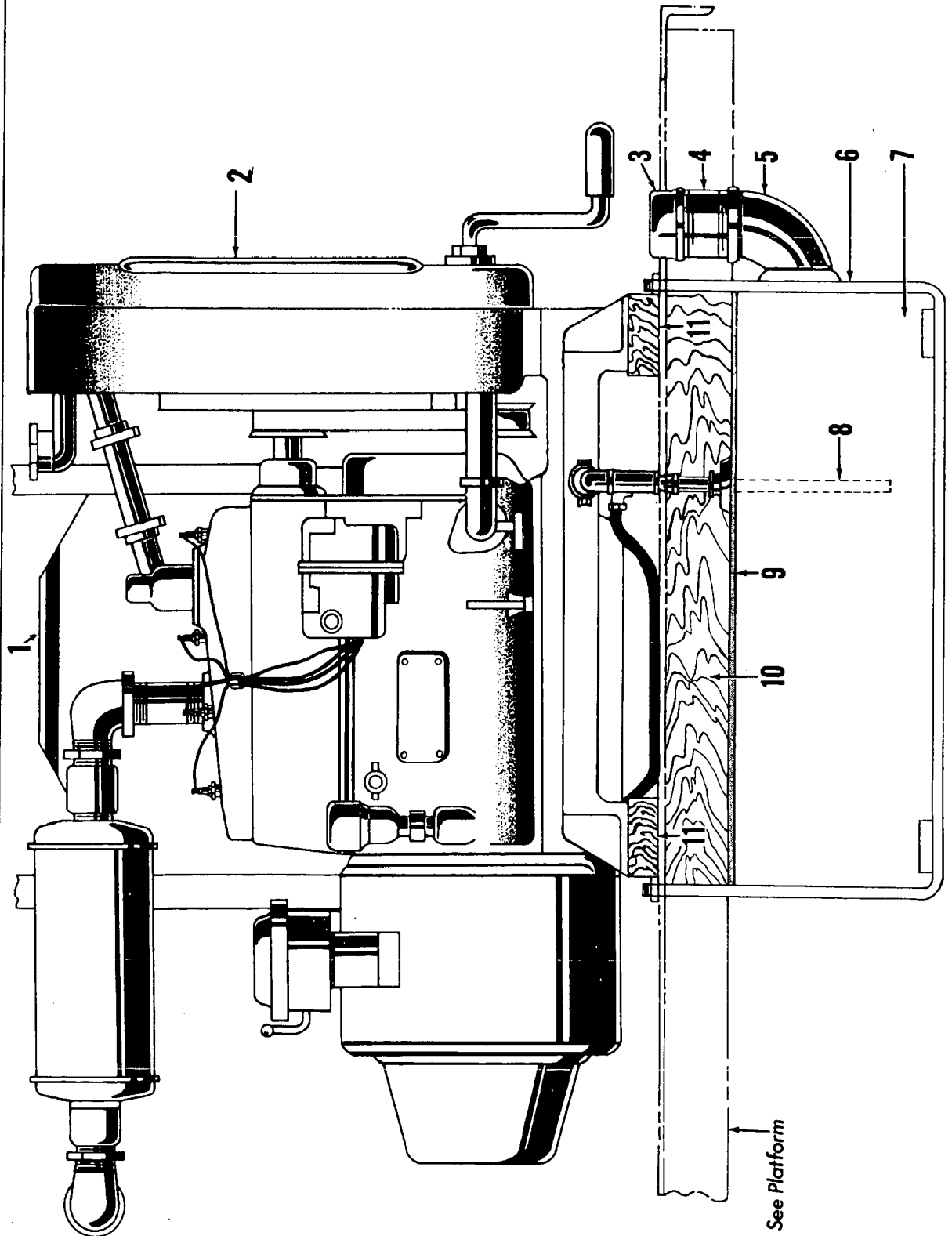
- Please note: If there is no response to CLICKING the link, please download this PDF first and then click on it.

CLICK HERE TO **DOWNLOAD** THE COMPLETE MANUAL

MANITOWOC ENGINEERING CO.

A Division of The Manitowoc Company, Inc.

Manitowoc, Wisconsin



ILLUST. No. 31104-B-1

MATERIAL LIST ON BACK

LIGHT PLANT

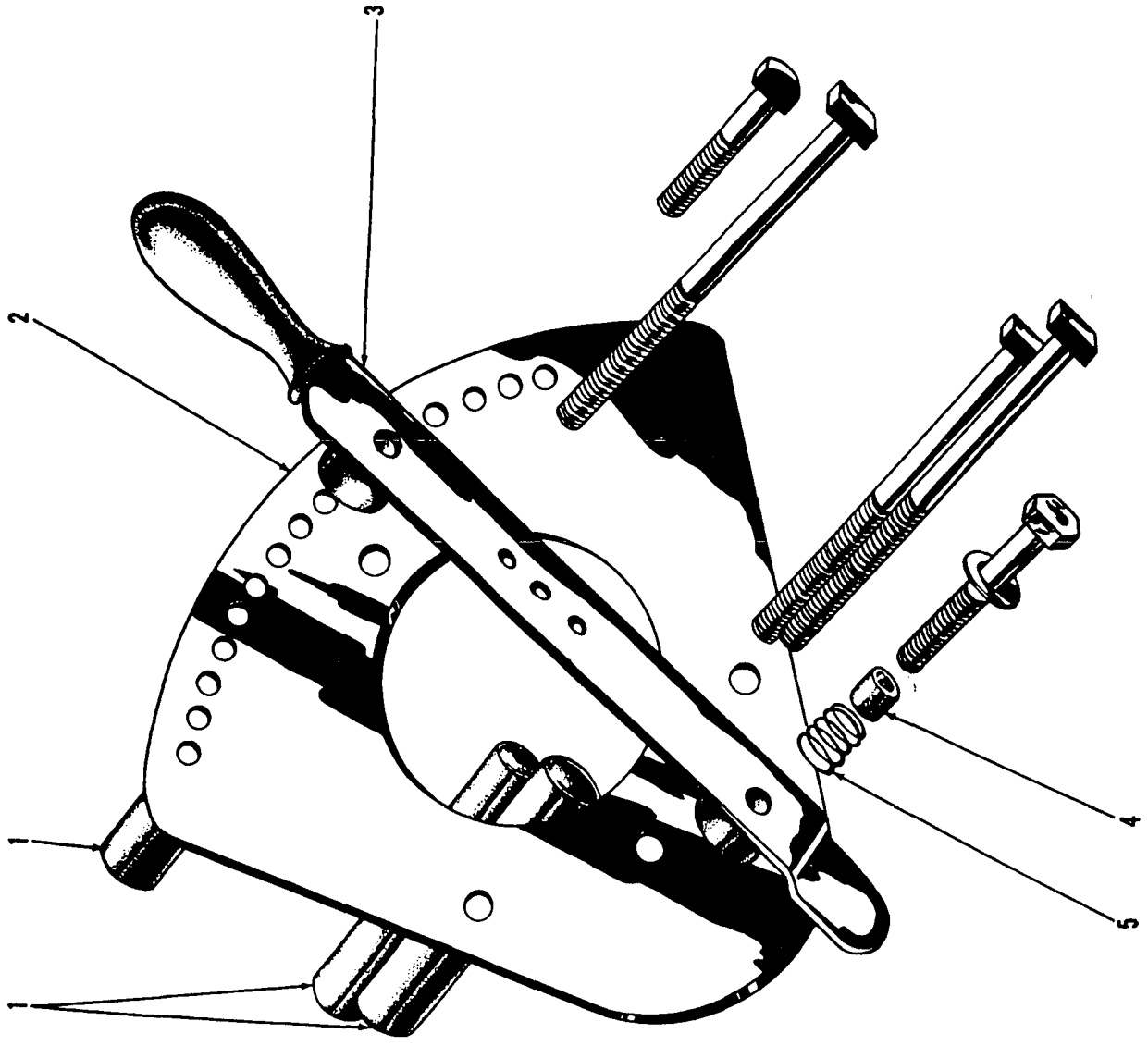
MASTER

31104 B1

MANITOWOC ENGINEERING CO.

A Division of The Manitowoc Company, Inc.

Manitowoc, Wisconsin



MANITOWOC

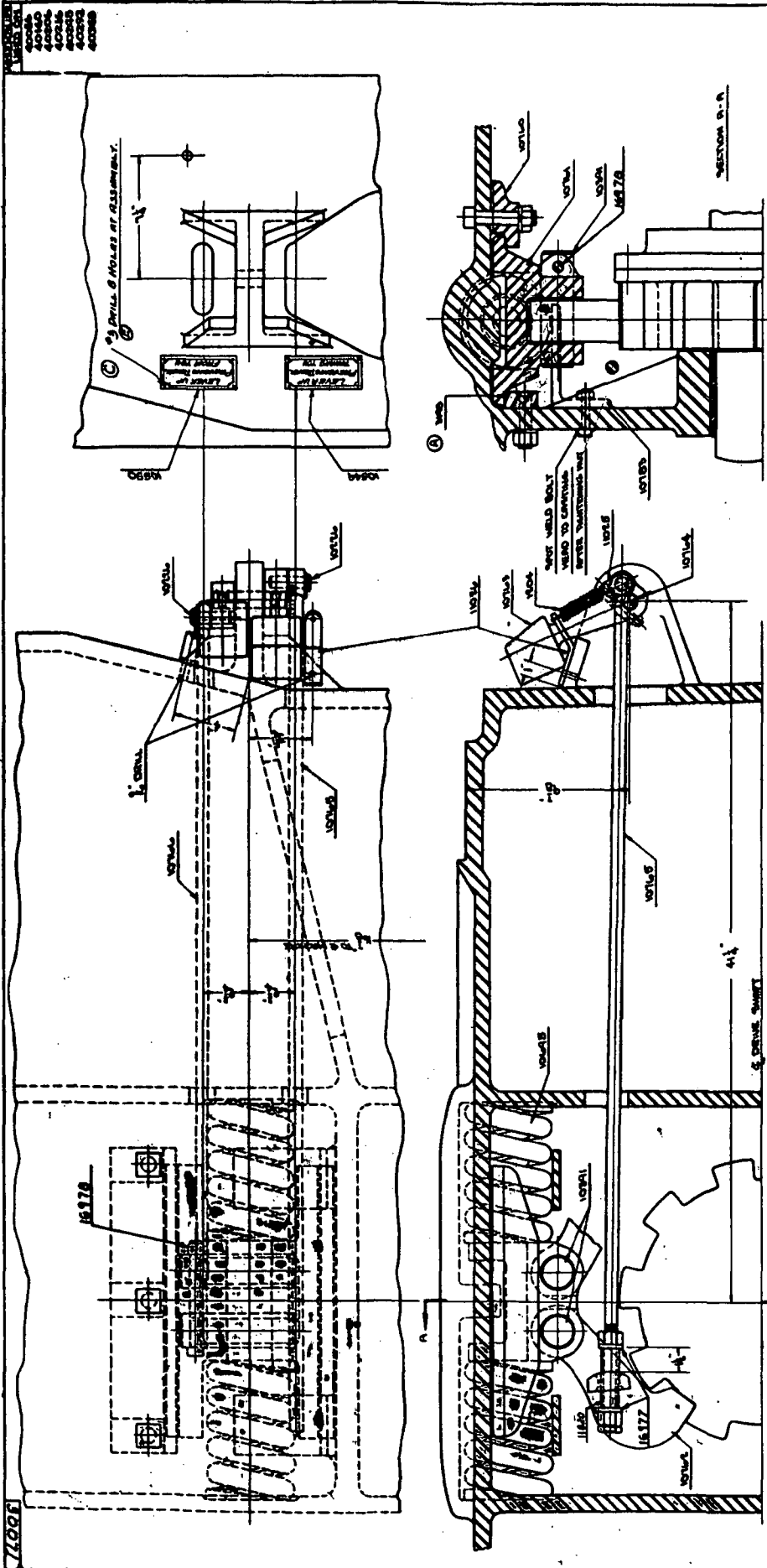
2092 A

2092-A-1

MATERIAL LIST ON BACK

CONTROL, GOV.

E6.1



NOTE:
 SEE ASSEMBLY # 30466
 FOR WELDED CARBODIES

REVISIONS:

NO.	DATE	BY	DESCRIPTION
1	1-2-54	W. J. B. L.	DESIGNED
2	1-3-54	W. J. B. L.	REVISED
3	1-3-54	W. J. B. L.	REVISED
4	1-3-54	W. J. B. L.	REVISED
5	1-3-54	W. J. B. L.	REVISED
6	1-3-54	W. J. B. L.	REVISED
7	1-3-54	W. J. B. L.	REVISED
8	1-3-54	W. J. B. L.	REVISED
9	1-3-54	W. J. B. L.	REVISED
10	1-3-54	W. J. B. L.	REVISED
11	1-3-54	W. J. B. L.	REVISED
12	1-3-54	W. J. B. L.	REVISED
13	1-3-54	W. J. B. L.	REVISED
14	1-3-54	W. J. B. L.	REVISED
15	1-3-54	W. J. B. L.	REVISED
16	1-3-54	W. J. B. L.	REVISED
17	1-3-54	W. J. B. L.	REVISED
18	1-3-54	W. J. B. L.	REVISED
19	1-3-54	W. J. B. L.	REVISED
20	1-3-54	W. J. B. L.	REVISED
21	1-3-54	W. J. B. L.	REVISED
22	1-3-54	W. J. B. L.	REVISED
23	1-3-54	W. J. B. L.	REVISED
24	1-3-54	W. J. B. L.	REVISED
25	1-3-54	W. J. B. L.	REVISED
26	1-3-54	W. J. B. L.	REVISED
27	1-3-54	W. J. B. L.	REVISED
28	1-3-54	W. J. B. L.	REVISED
29	1-3-54	W. J. B. L.	REVISED
30	1-3-54	W. J. B. L.	REVISED
31	1-3-54	W. J. B. L.	REVISED
32	1-3-54	W. J. B. L.	REVISED
33	1-3-54	W. J. B. L.	REVISED
34	1-3-54	W. J. B. L.	REVISED
35	1-3-54	W. J. B. L.	REVISED
36	1-3-54	W. J. B. L.	REVISED
37	1-3-54	W. J. B. L.	REVISED
38	1-3-54	W. J. B. L.	REVISED
39	1-3-54	W. J. B. L.	REVISED
40	1-3-54	W. J. B. L.	REVISED
41	1-3-54	W. J. B. L.	REVISED
42	1-3-54	W. J. B. L.	REVISED
43	1-3-54	W. J. B. L.	REVISED
44	1-3-54	W. J. B. L.	REVISED
45	1-3-54	W. J. B. L.	REVISED
46	1-3-54	W. J. B. L.	REVISED
47	1-3-54	W. J. B. L.	REVISED
48	1-3-54	W. J. B. L.	REVISED
49	1-3-54	W. J. B. L.	REVISED
50	1-3-54	W. J. B. L.	REVISED
51	1-3-54	W. J. B. L.	REVISED
52	1-3-54	W. J. B. L.	REVISED
53	1-3-54	W. J. B. L.	REVISED
54	1-3-54	W. J. B. L.	REVISED
55	1-3-54	W. J. B. L.	REVISED
56	1-3-54	W. J. B. L.	REVISED
57	1-3-54	W. J. B. L.	REVISED
58	1-3-54	W. J. B. L.	REVISED
59	1-3-54	W. J. B. L.	REVISED
60	1-3-54	W. J. B. L.	REVISED
61	1-3-54	W. J. B. L.	REVISED
62	1-3-54	W. J. B. L.	REVISED
63	1-3-54	W. J. B. L.	REVISED
64	1-3-54	W. J. B. L.	REVISED
65	1-3-54	W. J. B. L.	REVISED
66	1-3-54	W. J. B. L.	REVISED
67	1-3-54	W. J. B. L.	REVISED
68	1-3-54	W. J. B. L.	REVISED
69	1-3-54	W. J. B. L.	REVISED
70	1-3-54	W. J. B. L.	REVISED
71	1-3-54	W. J. B. L.	REVISED
72	1-3-54	W. J. B. L.	REVISED
73	1-3-54	W. J. B. L.	REVISED
74	1-3-54	W. J. B. L.	REVISED
75	1-3-54	W. J. B. L.	REVISED
76	1-3-54	W. J. B. L.	REVISED
77	1-3-54	W. J. B. L.	REVISED
78	1-3-54	W. J. B. L.	REVISED
79	1-3-54	W. J. B. L.	REVISED
80	1-3-54	W. J. B. L.	REVISED
81	1-3-54	W. J. B. L.	REVISED
82	1-3-54	W. J. B. L.	REVISED
83	1-3-54	W. J. B. L.	REVISED
84	1-3-54	W. J. B. L.	REVISED
85	1-3-54	W. J. B. L.	REVISED
86	1-3-54	W. J. B. L.	REVISED
87	1-3-54	W. J. B. L.	REVISED
88	1-3-54	W. J. B. L.	REVISED
89	1-3-54	W. J. B. L.	REVISED
90	1-3-54	W. J. B. L.	REVISED
91	1-3-54	W. J. B. L.	REVISED
92	1-3-54	W. J. B. L.	REVISED
93	1-3-54	W. J. B. L.	REVISED
94	1-3-54	W. J. B. L.	REVISED
95	1-3-54	W. J. B. L.	REVISED
96	1-3-54	W. J. B. L.	REVISED
97	1-3-54	W. J. B. L.	REVISED
98	1-3-54	W. J. B. L.	REVISED
99	1-3-54	W. J. B. L.	REVISED
100	1-3-54	W. J. B. L.	REVISED

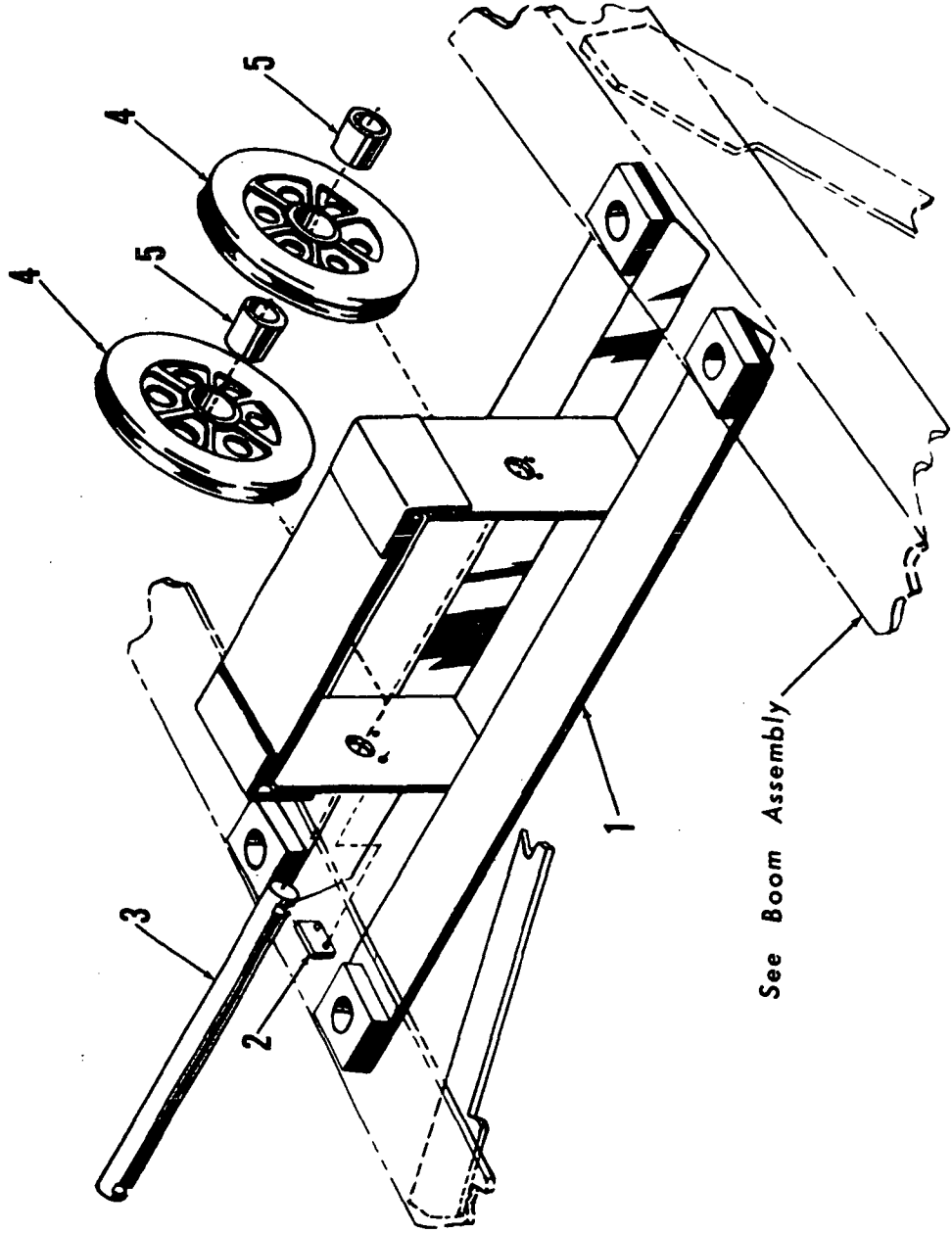
MANITOWOC ENGINEERING
 SPEEDCRANE MODEL 3000
 TRAVEL LOCK ASSEMBLY

DATE: 1-3-54
 DRAWN BY: W. J. B. L.
 CHECKED BY: W. J. B. L.
 APPROVED BY: W. J. B. L.
 PART OR DRAW NO: 30071

11000
 2-9-51

30071

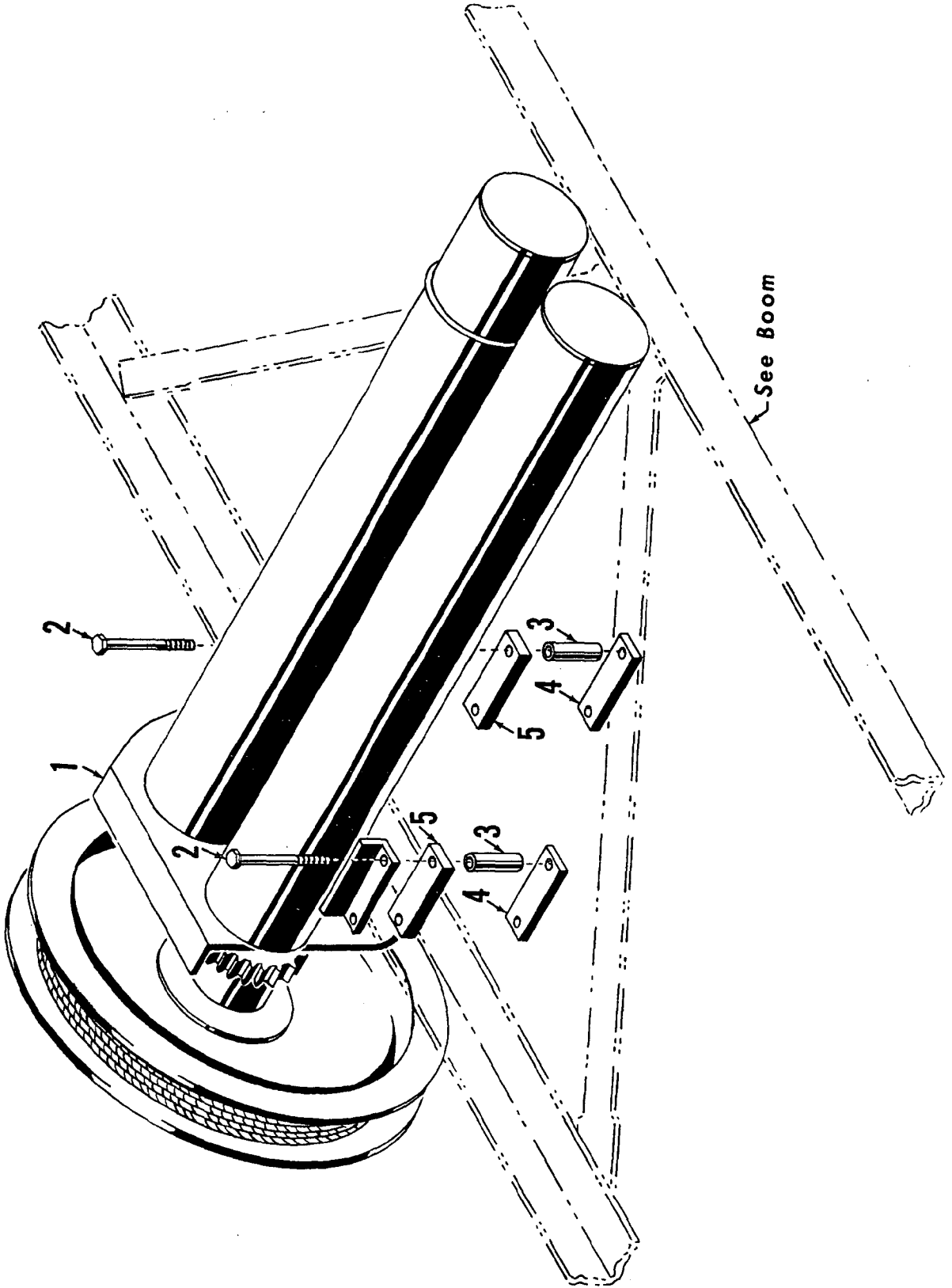
MASTER



See Boom Assembly

20178 A1

MASTER



ILLUST. No. 30531-A-1

MATERIAL LIST ON BACK

TAGLINE ASSEMBLY

O-Number

MANITOWOC ENGINEERING CO.

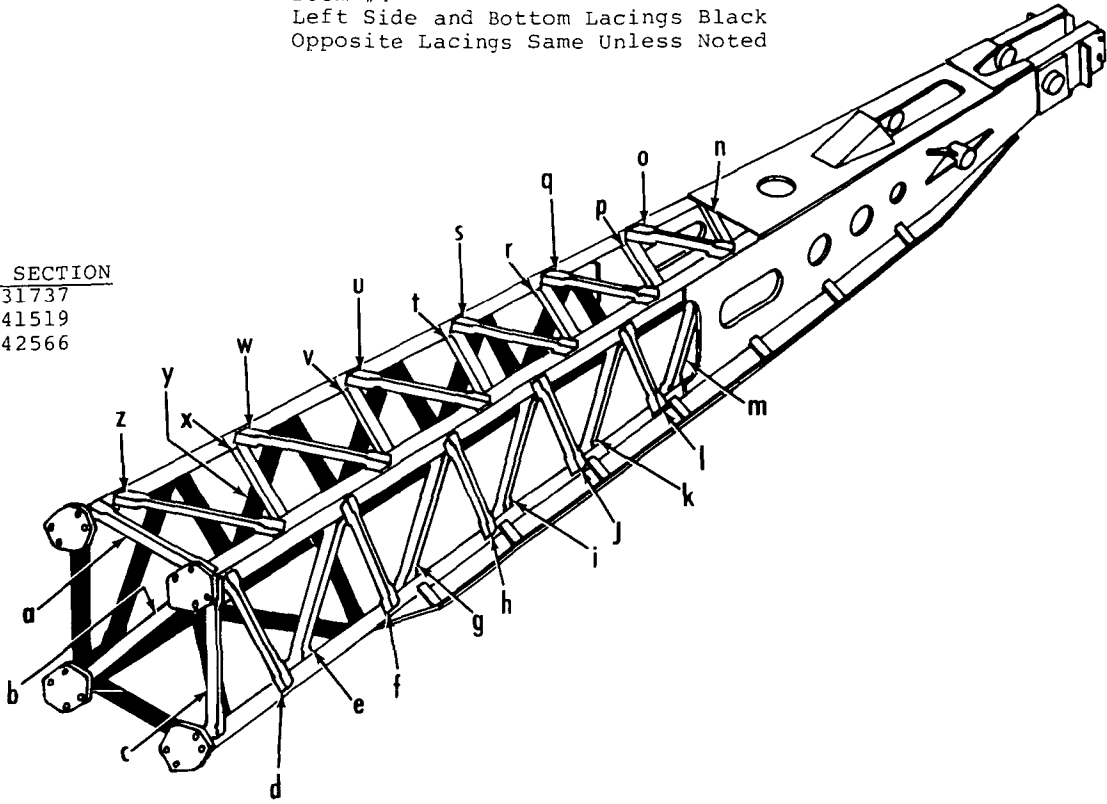
A Division of The Manitowoc Company, Inc.

Manitowoc, Wisconsin

Boom #4
Left Side and Bottom Lacings Black
Opposite Lacings Same Unless Noted

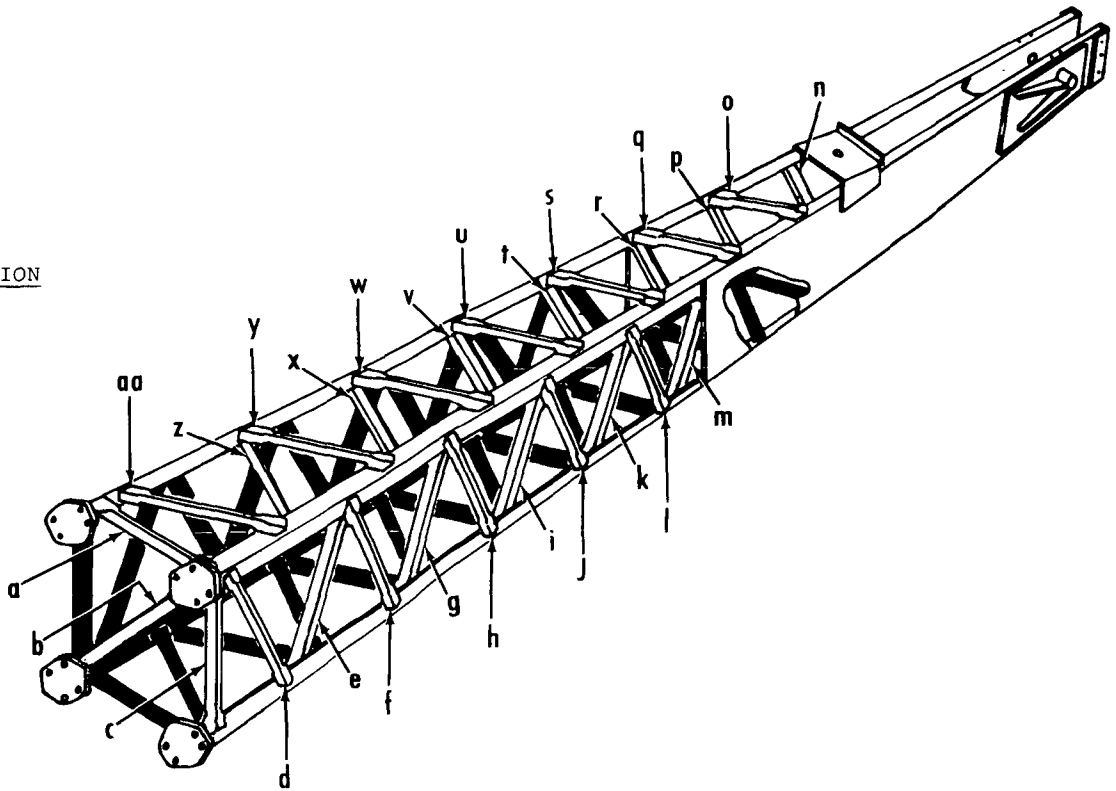
TOP SECTION

- #31737
- #41519
- #42566



TOP SECTION

- #40836
- #43239
- #48107



When ordering give the section number and lacing letter -
Example - Lacing #42566-E

0-519.1

LACINGS

0-519.1

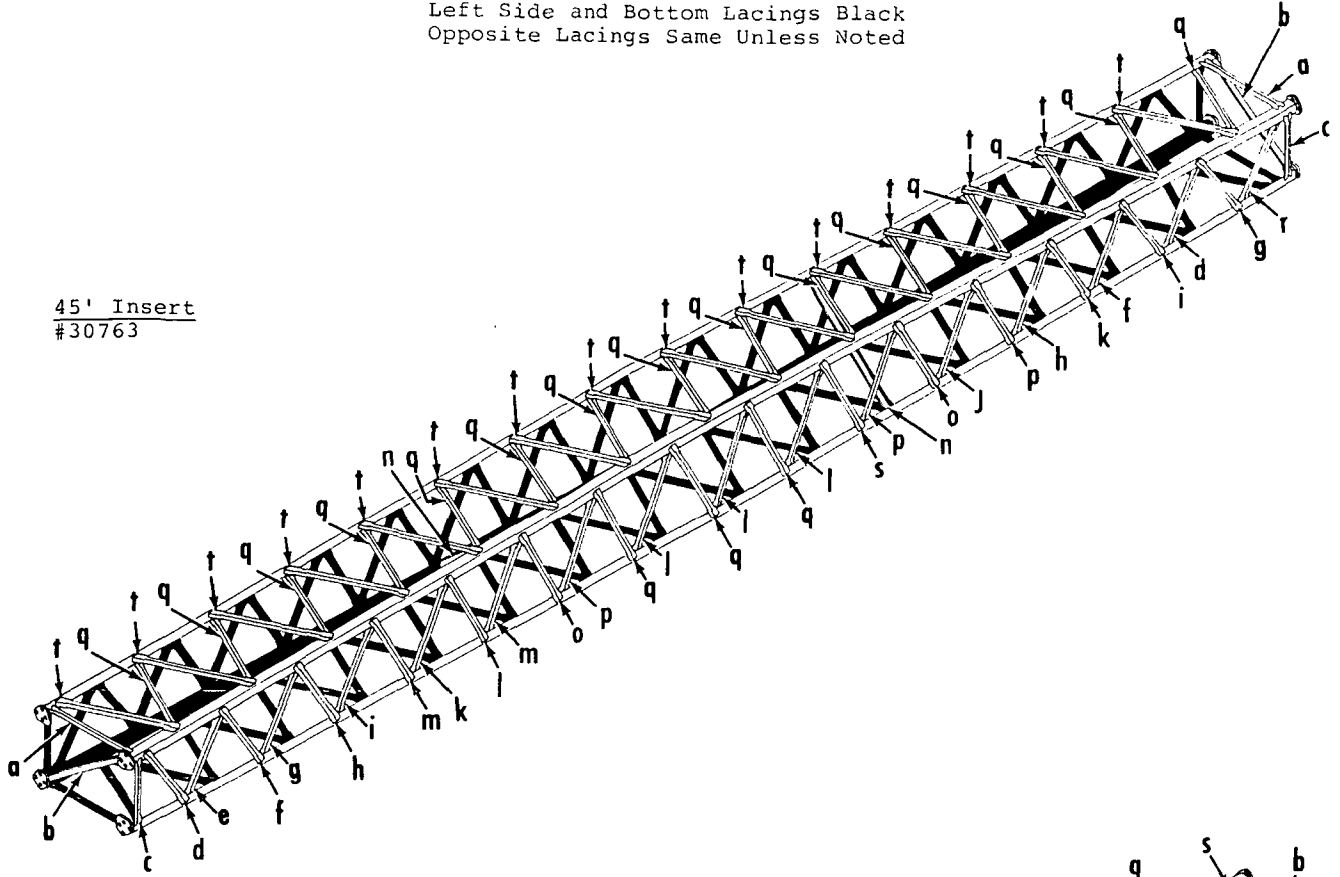
MANITOWOC ENGINEERING CO.

A Division of The Manitowoc Company, Inc.

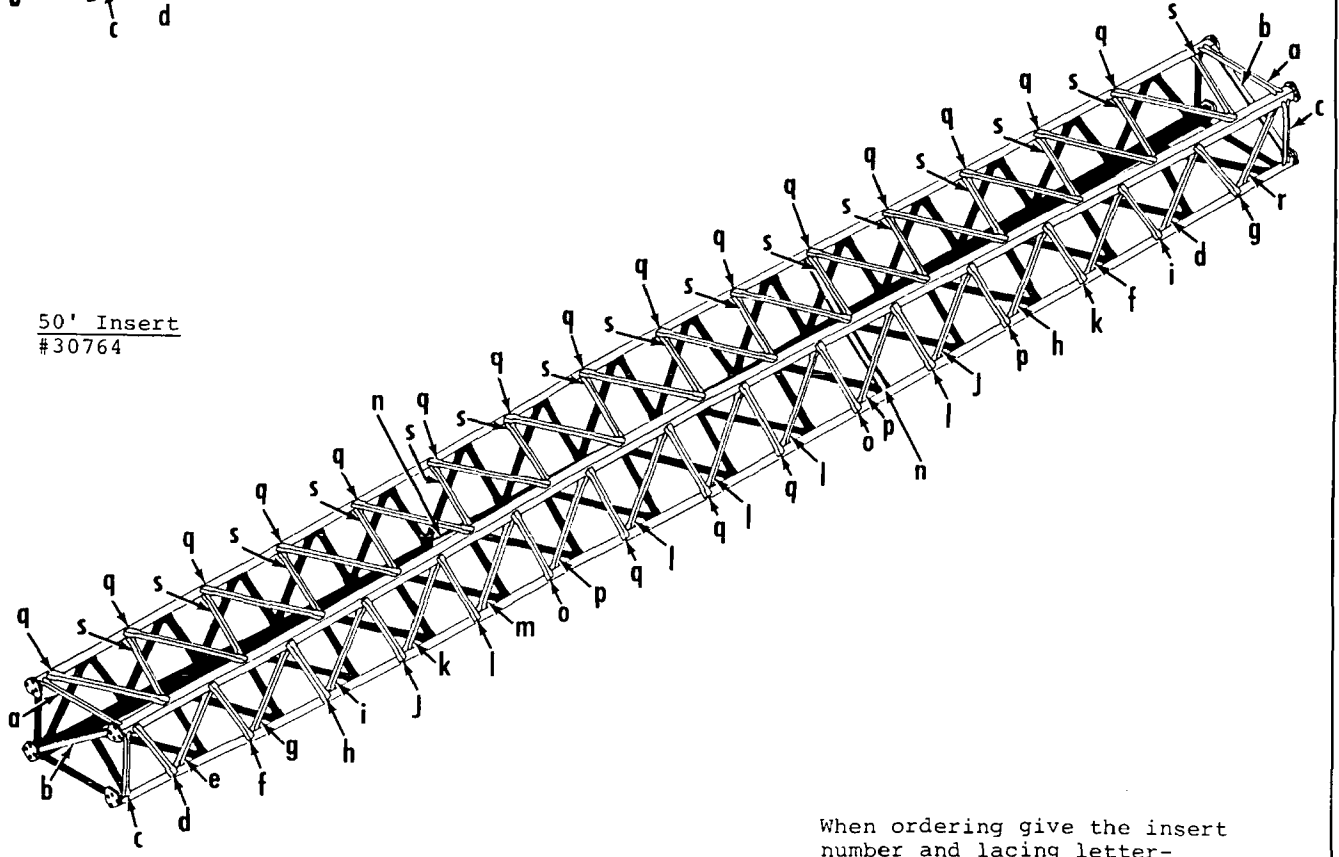
Manitowoc, Wisconsin

Boom #4
Left Side and Bottom Lacings Black
Opposite Lacings Same Unless Noted

45' Insert
#30763



50' Insert
#30764



When ordering give the insert number and lacing letter-
Example - Lacing #30764-E

MASTER

CLICK HERE TO **DOWNLOAD** THE COMPLETE MANUAL

- Thank you very much for reading the preview of the manual.
- You can download the complete manual from: www.heydownloads.com by clicking the link below



- Please note: If there is no response to CLICKING the link, please download this PDF first and then click on it.

CLICK HERE TO **DOWNLOAD** THE COMPLETE MANUAL