



# TRADITIONAL CRANE PARTS MANUAL

This manual has been prepared for and is considered part of

**3000W**

Model

**30239**

Serial Number

**GROUP A = Rotating Structure** (Includes rotating bed, operator's cab, cases, fuel tanks, transfer pump, counterweights, guards, platforms, catwalks, machinery enclosure, horn)

**GROUP B = Upperworks Machinery** (Includes front, rear, and auxiliary drums, boom hoist, swing and drive shafts, hand levers, foot pedals, control linkage, rotation indicators, upperworks hydraulic components, hydraulic piping, hydraulic oil reservoir, lubrication pump and piping, blowers)

**GROUP C = Air Components & Electrical** (Includes control console, air piping, electric wiring, auxiliary light plant and lighting, TV monitoring, compressor and air tank)

**GROUP D = Power Components - Upperworks** (Includes engine or motor, radiator, auxiliary power plant, take off converters and piping, controls, VICON power lowering, torque limiter, hydraulic pumps and piping, fuel piping, battery box)

**GROUP E = Lower Structure & Control** (Includes carbody, crawlers, travel shafts and control, steering travel locks, hydraulic travel, travel power outriggers, carrier, pedestal, lowerworks hydraulic piping, RINGER components, barge mounting and machinery, spud drums)

**GROUP F = Attachments** (Includes booms, jibs, masts, tower, wire rope guides, equalizer, gantry, fairlead, timber guards, boom angle indicator, block-up limit, tag line, hook block, weight ball, upper and lower boom point, wind speed indicator, crowd and retract dipper sticks, dippers, )

**O-NUMBER SECTION =** (Includes lacing drawings and purchased component parts drawings referenced in sections A through F)

*This manual is arranged in sections as listed above. Sections A through F are arranged by group numerical order with an index after each section tab. An alphabetical index for groups A Through F combined is located after the O-number Section. The O-number section is arranged in numerical order by O-number. Following this cover page are the Basic Specifications, Warranty Information, Tool List (if applicable) Outline Dimensions, Weights, and Dealer Listing.*

**MANITOWOC CRANES, INC.**

2401 South 30th Street • PO Box 70

Manitowoc, WI 54221-0070

Phone: 920-684-6621 • Fax: 920-683-6278

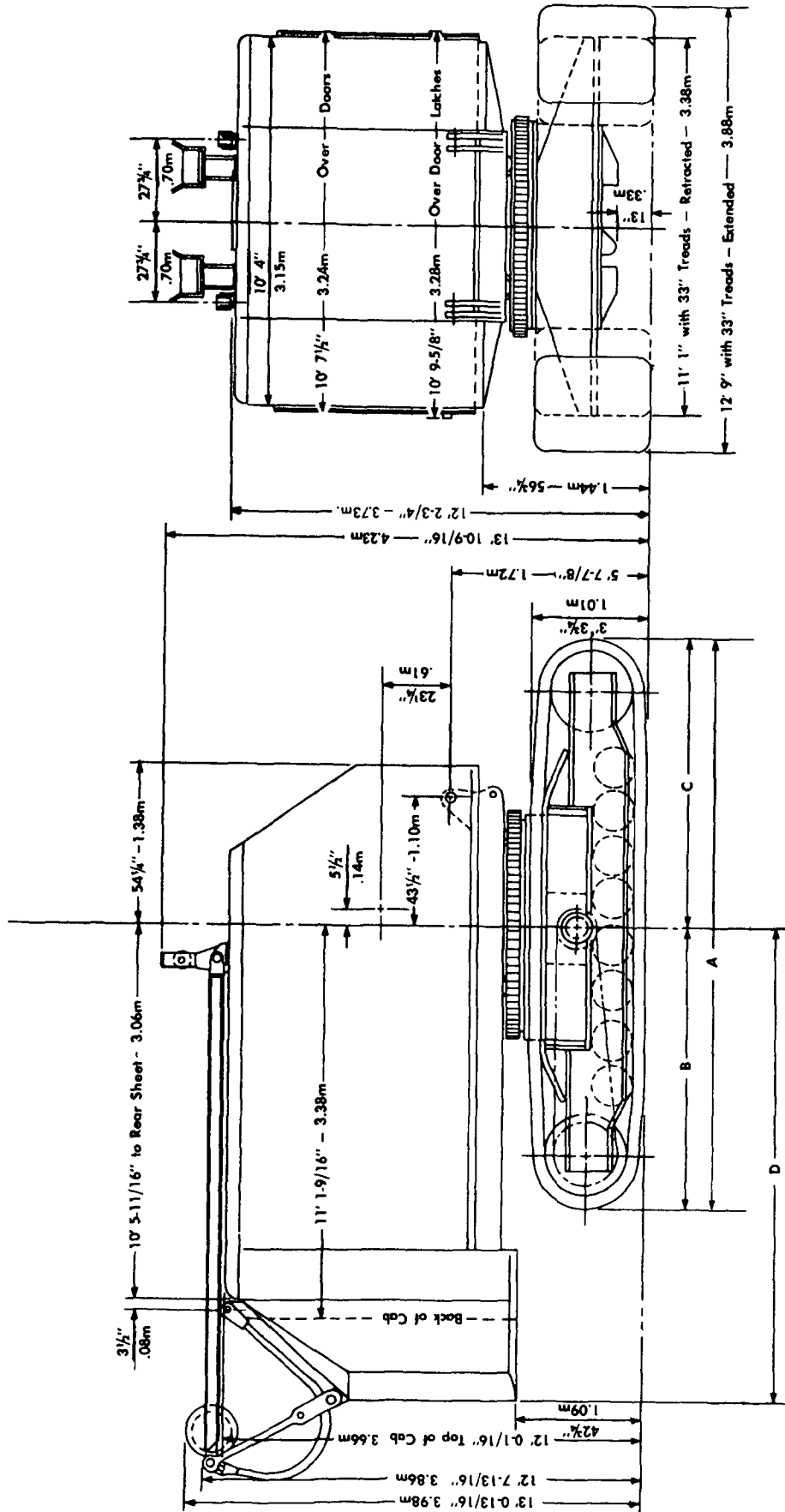
CLICK HERE TO **DOWNLOAD** THE COMPLETE MANUAL

- Thank you very much for reading the preview of the manual.
- You can download the complete manual from: [www.heydownloads.com](http://www.heydownloads.com) by clicking the link below



- Please note: If there is no response to CLICKING the link, please download this PDF first and then click on it.

CLICK HERE TO **DOWNLOAD** THE COMPLETE MANUAL



**NOTE:**  
 Crawler Frames may be removed for loading, reducing all heights 12" (3.1m). Use cab dimension 10' 10" (3.30m) for load width.

Dimension	16' 4" Crawlers	18' 4" Crawlers
Dimension "A"	4.98m	5.59m
Dimension "B"	2.46m	2.77m
Dimension "C"	2.51m	2.82m
Dimension "D"		
	- to flat of 1 pc. cwt. - 13' 6 1/2" - 4.13m	
	- tail swing w/1 pc. cwt. - 13' 9" - 4.19m	
	- to flat of 2 pc. cwt. - 13' 7 1/2" - 4.15m	
	- tail swing w/2 pc. cwt. - 13' 10" - 4.21m	
	- to flat of 1st. pc. of 2 pc. cwt. - 12' 6 1/2" - 3.82m	
	- tail swing w/1st. pc. of 2 pc. cwt. - 12' 9-3/16" - 3.89m	

3-21-68  
 9 14-65  
 3 11-64

Drwg. Date

M3000W  
 90434

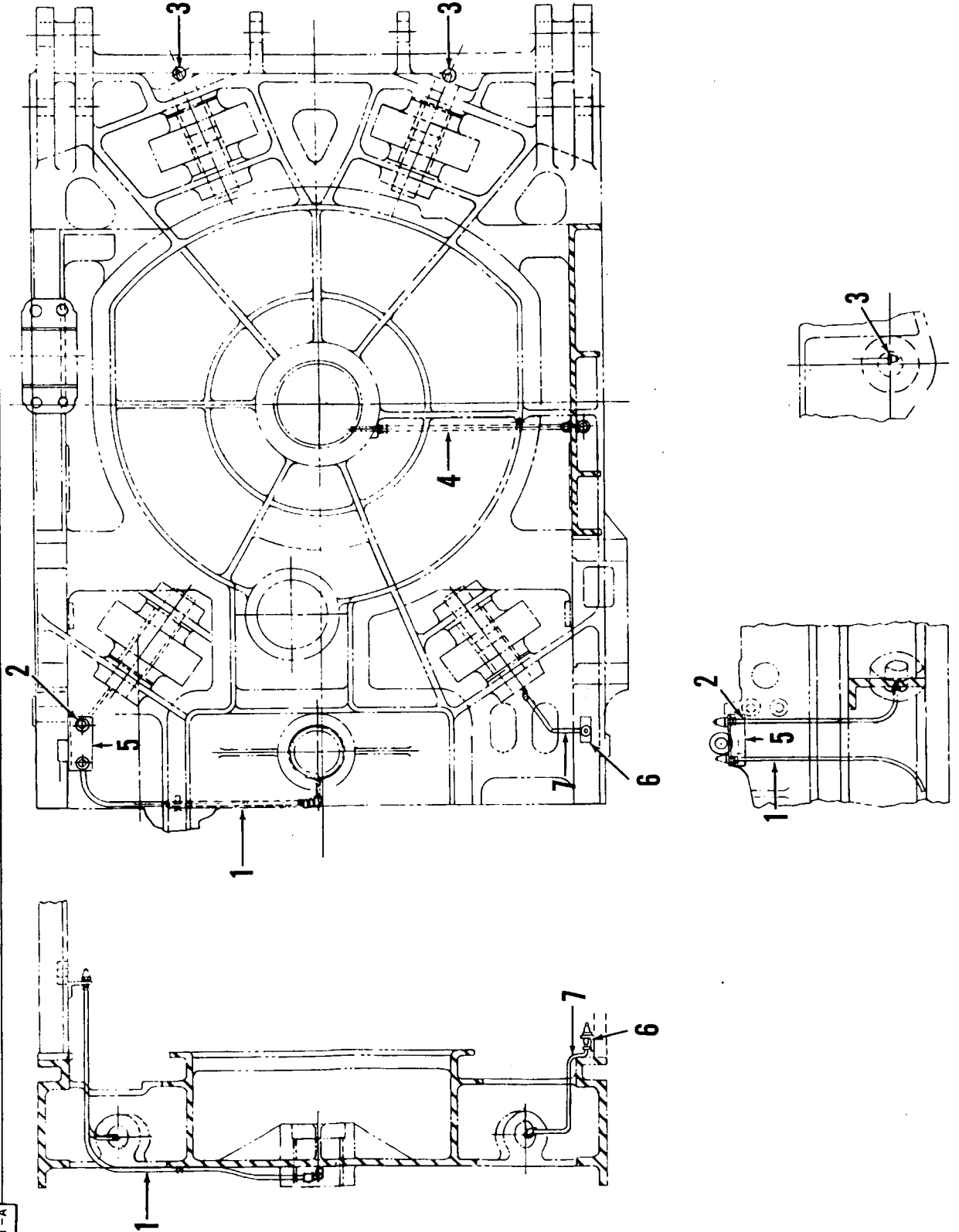
OUTLINE DIMENSIONS

MASTER

MANITOWOC ENGINEERING CO.

A Division of The Manitowoc Company, Inc.

Manitowoc, Wisconsin



3088U-1-A

MATERIAL LIST ON BACK

ROTATING BED PIPING

33009-1 Cont.	REV. H	MODEL 3000-3400 Incl.
---------------	--------	-----------------------

CAB

REF. NO.	PART NUMBER	QUANTITY REQUIRED	DESCRIPTION OF PART	VENDORS PART NO.
73	73227	1	GLASS, Window	
26	605301	1	CHANNEL, Rubber (11'0" - 3.353m)	
			<u>BOTTOM RIGHT ENCLOSURE (M3000W ONLY)</u>	
	32665	1	ENCLOSURE ASSEMBLY	
74	24838	1	PANEL, Enclosure w/machine screws, hex nuts and lockwashers	
75	24839	1	PANEL, Enclosure Support	
76	73697	1	PANEL, End w/machine screws, hex nuts and lockwashers	
77	73698	1	PANEL, Enclosure w/machine screws, hex nuts and lockwashers	
78	73699	1	PANEL, End Upper w/machine screws, hex nuts and lockwashers	
79	73700	1	PANEL, End Lower w/machine screws, hex nuts and lockwashers	
80	73701	1	PANEL, Side Cover w/machine screws, hex nuts and lockwashers	
81	73702	1	PANEL, Bottom Cover w/machine screws, hex nuts and lockwashers	
			<u>ROOF DOOR OVER ENGINE (OPTIONAL) (See note 1)</u>	
82	33883	1	DOOR, Roof w/rivets (Complete)	
83	74260	1	DOOR, Sliding	
			<u>PREVIOUS AWNING INSTALLATION</u>	
4a	18926	1	AWNING, Roof w/capscrews and lockwashers	
4b	19538	1	CLIP, Awning	
			<u>NOTE 1:</u> Door #33883 cannot be used W/Aux. Rear Drum or Swing Clutch Blower.	

Run as Front

33009 H1 Cont.-3

MASTER

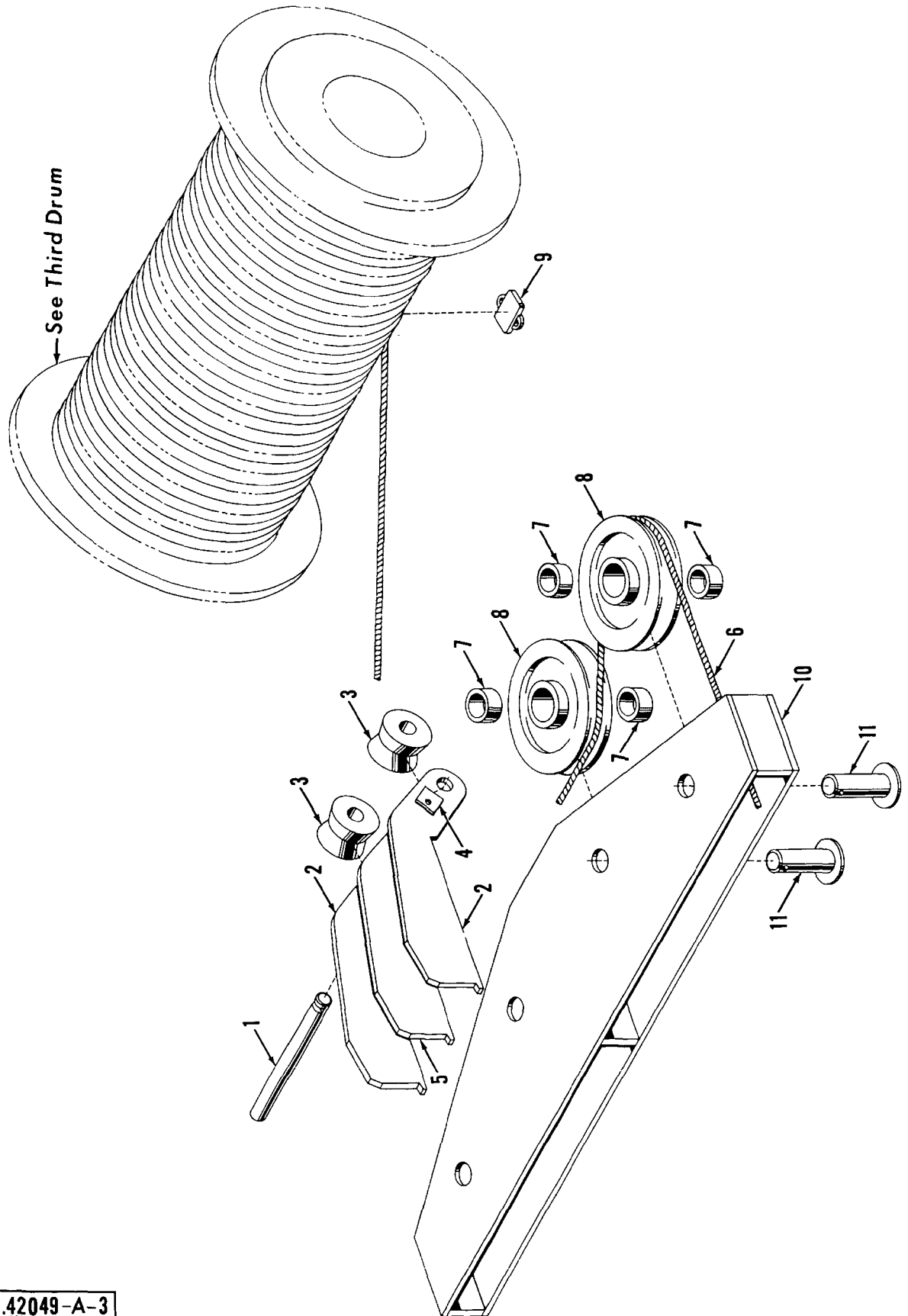
REV. H	33009 - 1
--------	-----------

PLEASE GIVE MACHINE S/N W/ORDER

MANITOWOC ENGINEERING CO.

A Division of The Manitowoc Company, Inc.

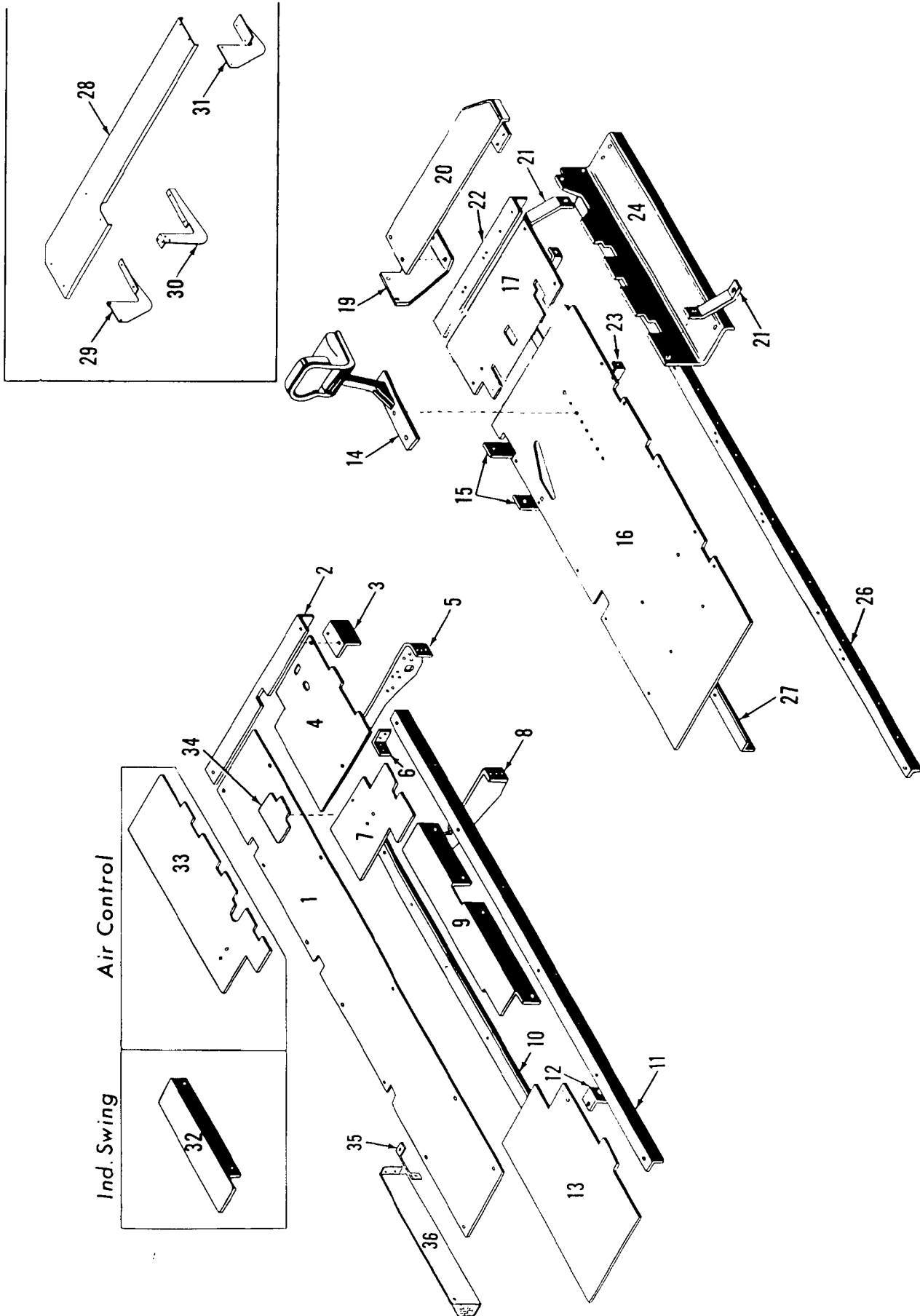
Manitowoc, Wisconsin



ILLUST. No. 42049-A-3

MATERIAL LIST ON BACK

COUNTERWEIGHT HANDLING



Air Control

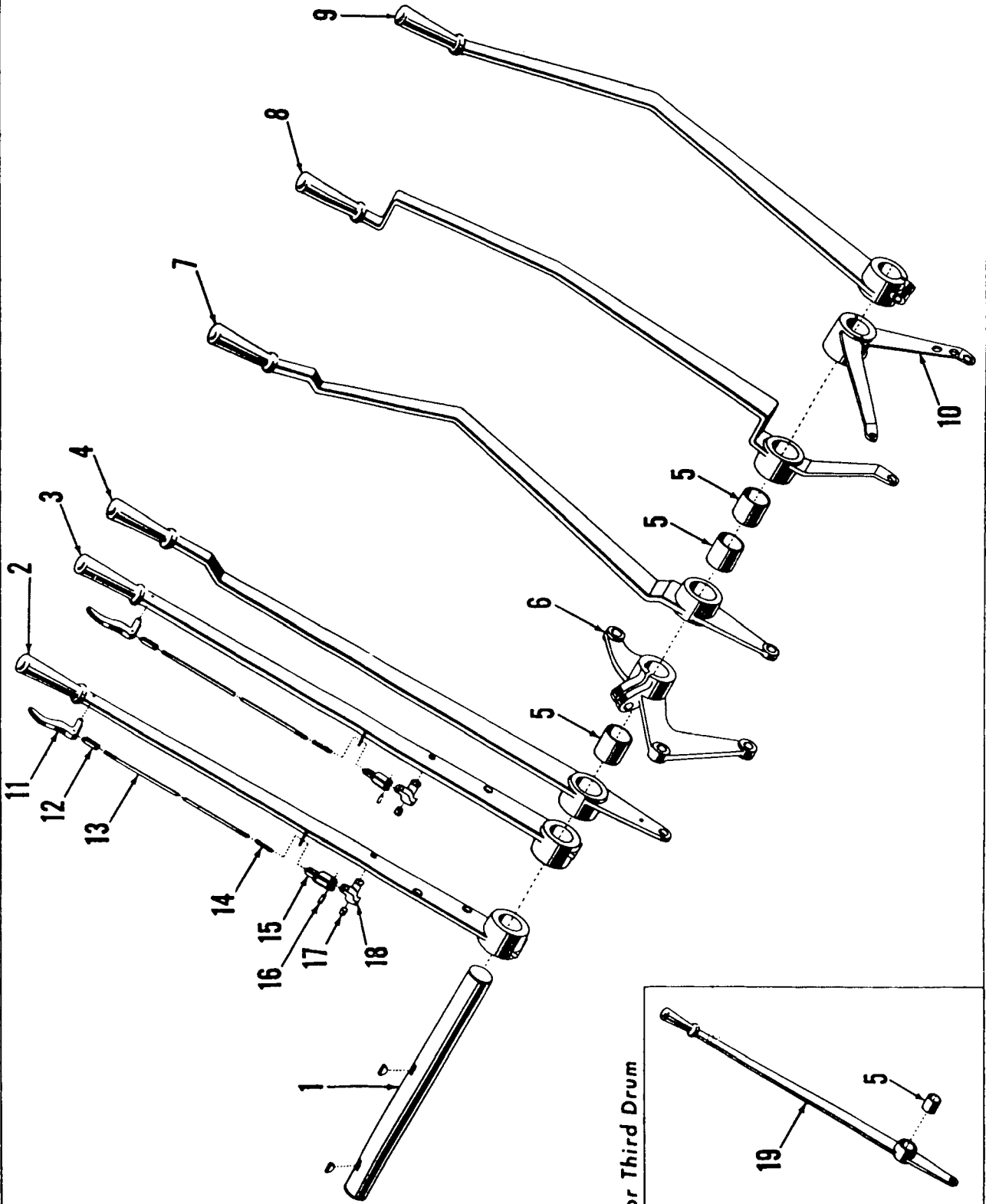
Ind. Swing

MASTER

MANITOWOC ENGINEERING CO.

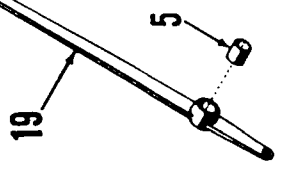
A Division of The Manitowoc Company, Inc.

Manitowoc, Wisconsin



ILLUST. No. 22829-A-1

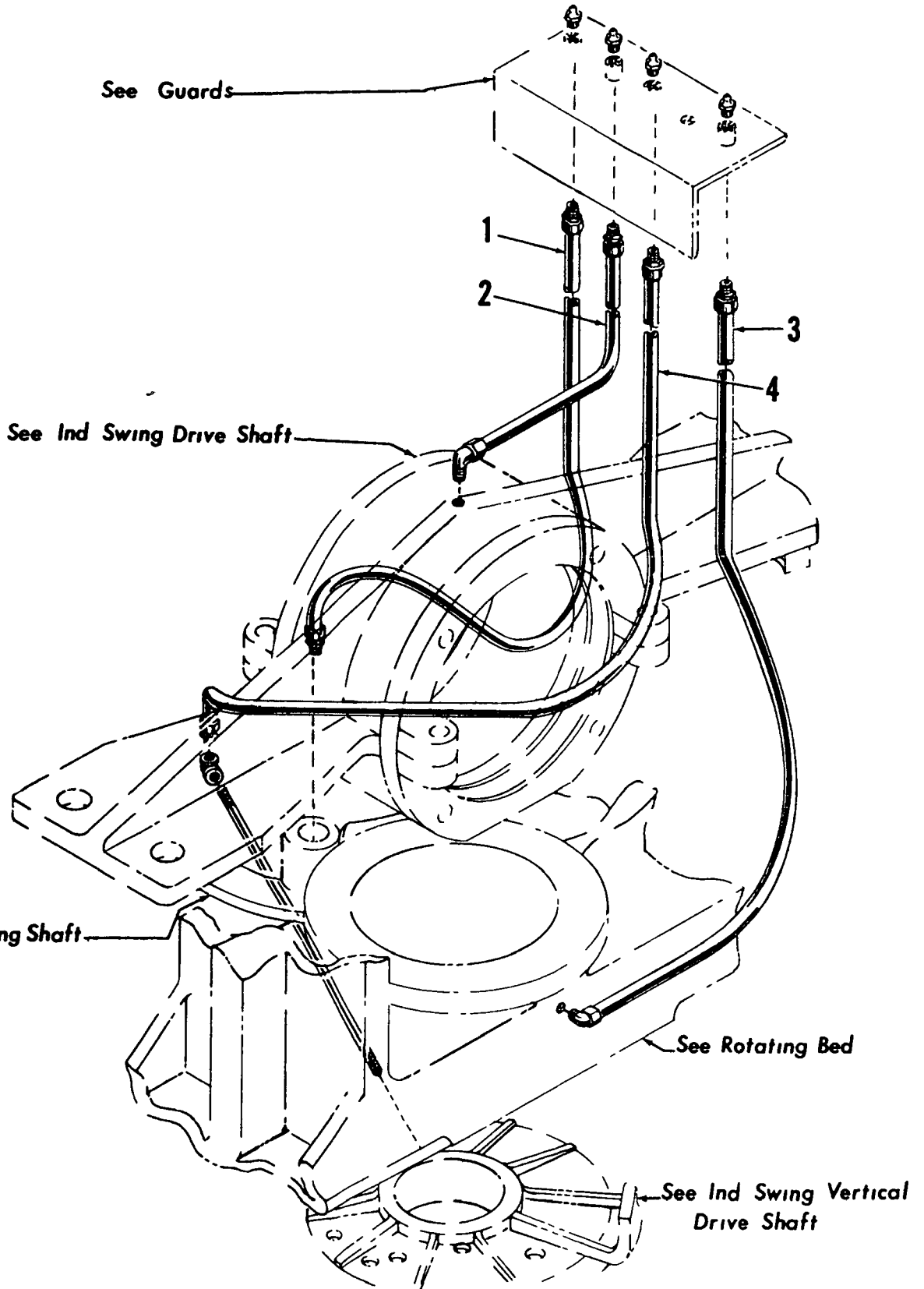
For Third Drum



MATERIAL LIST ON BACK

HAND LEVER ASSEMBLY

MASTER



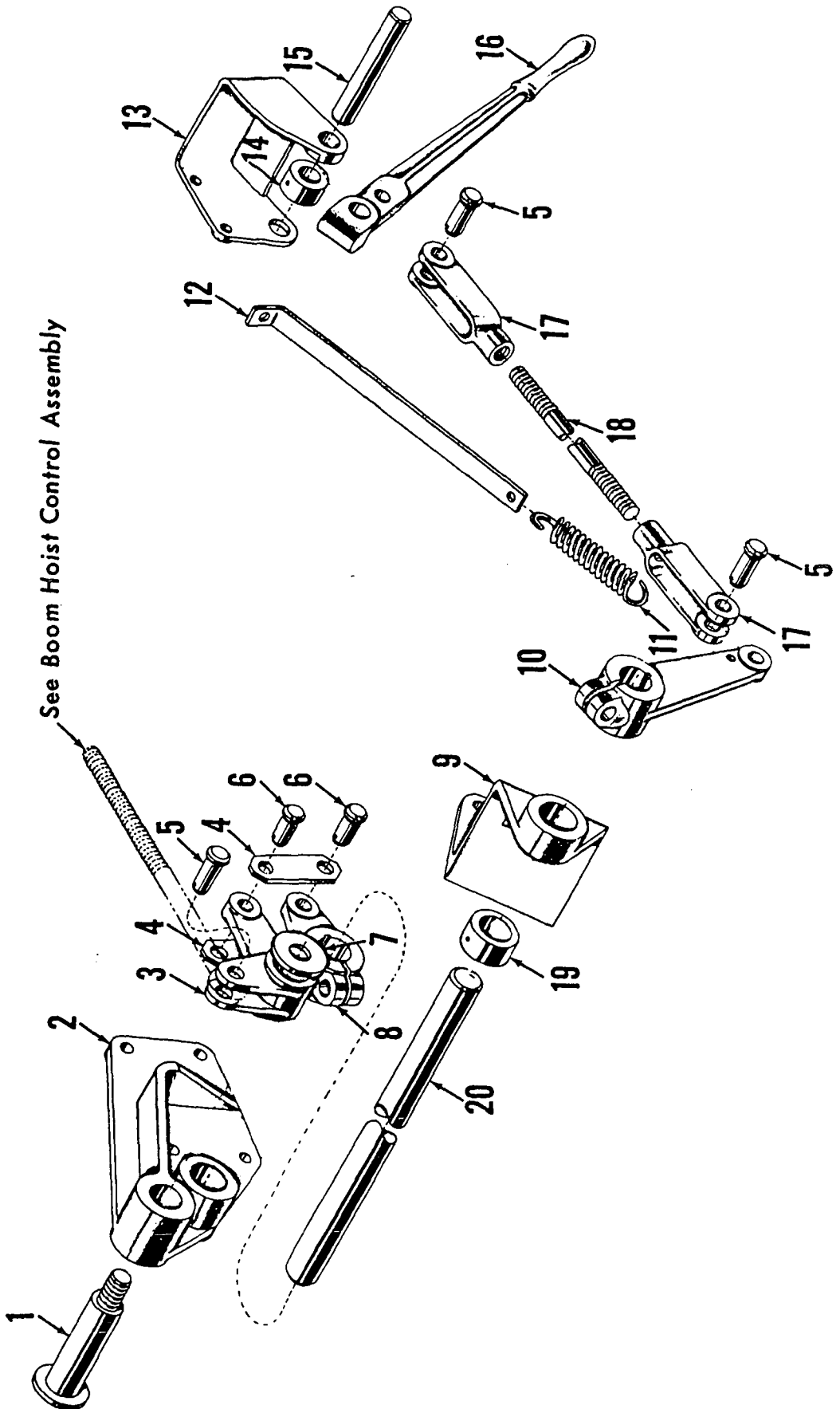
315 4 B 2

3157482

MATERIAL LIST ON BACK

IND SWING LUB PIPING

MASTER



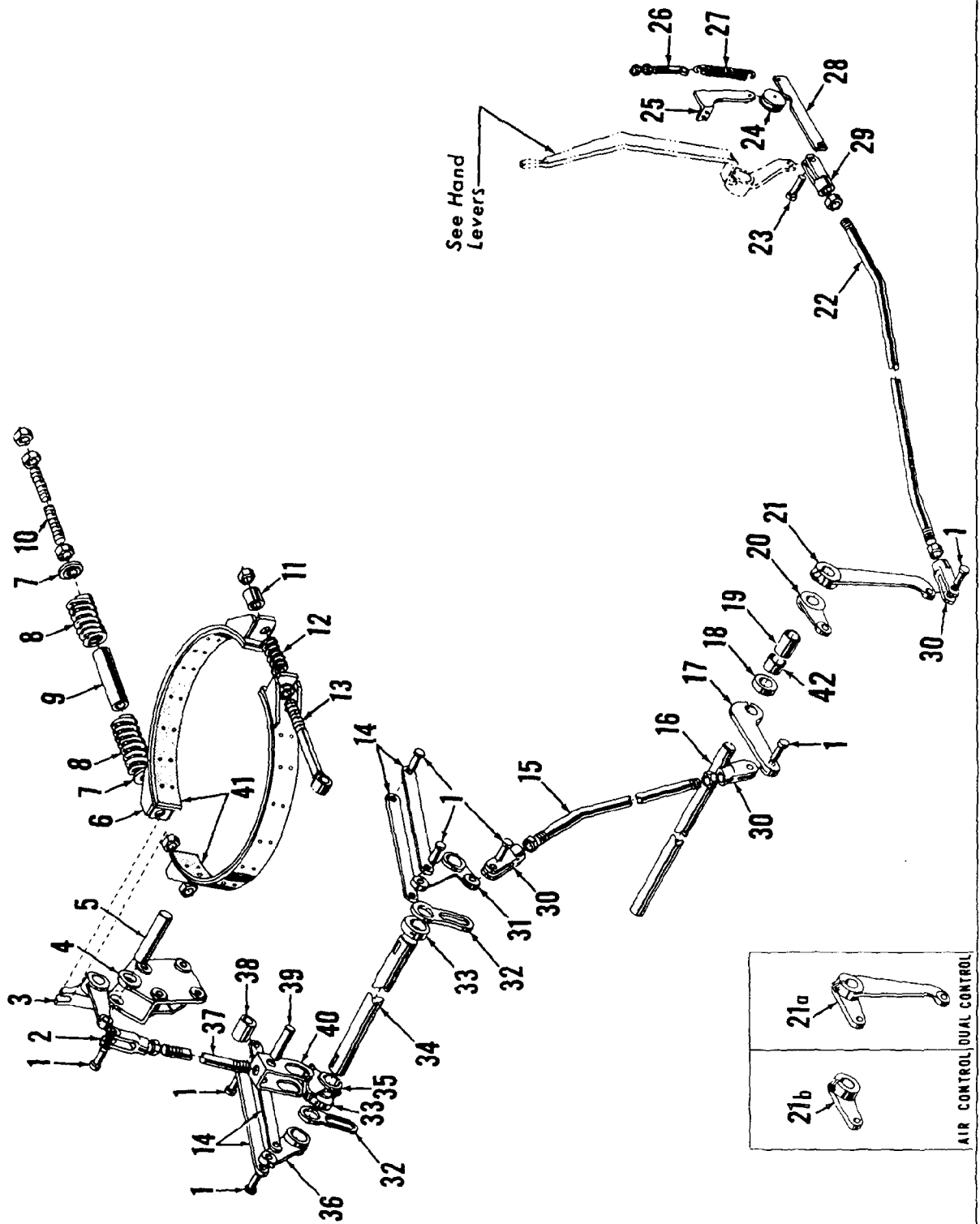
AUXILIARY BOOM HOIST EMERGENCY BRAKE

713 77 C1

MANITOWOC ENGINEERING CO.

A Division of The Manitowoc Company, Inc.

Manitowoc, Wisconsin



MATERIAL LIST ON BACK

41933 - 1	REV. P	MODEL 3000-3000W-3100-3400-3500-3600-3900
-----------	-----------	--

IND. BOOM HOIST DRIVE SHAFT

Run as Front

REF. NO.	PART NUMBER	QUANTITY REQUIRED	DESCRIPTION OF PART	VENDORS PART NO.
38	596674	2	RING, Snap	
39	225314	4	BEARING, Ball	
40	16656	2	SPACER	
42	17624	2	SPACER	
43	225125	3	LOCKWASHER, Bearing Locknut	
45	17324	2	COLLAR, Thrust w/gr. fitting, capscrew and lockwashers	
46	622498	2	SEAL, Oil	
47	32064*		BRACKET, Center Bearing w/gr. fittings, capscrews and lockwashers (w/Dowel #17575 supersedes #31672 per design change of 5-7-64)	
47	31672	1	BRACKET, Center Bearing w/gr. fittings (Superseded by #32064)	
48	257257	6	BOLT, Coupling (Use with bracket #31672)	
49	17575	2	DOWEL (Use with bracket #32064)	
50	17623	1	SPACER	
51	224121	1	BEARING, Roller	
52	23216*	1	SHAFT, Drive	
44	18147	3	NUT, Lock	
53	19779	1	GUARD, Right	
54	18266	1	SUPPORT w/capscrews and lockwashers	
55	18267	1	SUPPORT w/capscrews and lockwashers	
56	19780	1	GUARD, Left	
<p><u>NOTE 1:</u> On Vicon machines parts #17339, 17340, 18939 and 596705 are replaced by oil seal #24778 and retaining ring #73388.</p> <p><u>NOTE 2:</u> Parts marked * not used on machines w/high speed chain driven boom hoist. Center Bracket #32064 is replaced with bracket #33646 and bearing #22345 replaced by bearing #23668. For remainder of parts on these machines see "Ind. Boom Hoist Drive Shaft Extension on Support."</p> <p><u>NOTE 3:</u> Ref. No. 8 not used on M3900 w/internal hoist ratchet and pawl. See "A" Frame.</p> <p><u>NOTE 4:</u> Pinion changed on M3900 only to #95123 per design change of May 6, 1974. All other models changed to pinion #95123 per design change of Aug. 2, 1979. Prior to these changes pinion #17283 was used. Pinion #95123 must be used w/Drum Gear #182159 (Vicon) or #182264 (Non-Vicon). Pinion #17283 must be used w/Drum Gear #32623 (Vicon) or #32229 (Non-Vicon). Gears and pinions are <u>NOT</u> interchangeable as single pieces. If field conversion is made, the Boom Hoist Shaft Pinion, Drum Gear and Main Drive Shaft Pinion must all be changed.</p>				
				REV. P
				41933 - 1

PLEASE GIVE MACHINE S/N W/ORDER

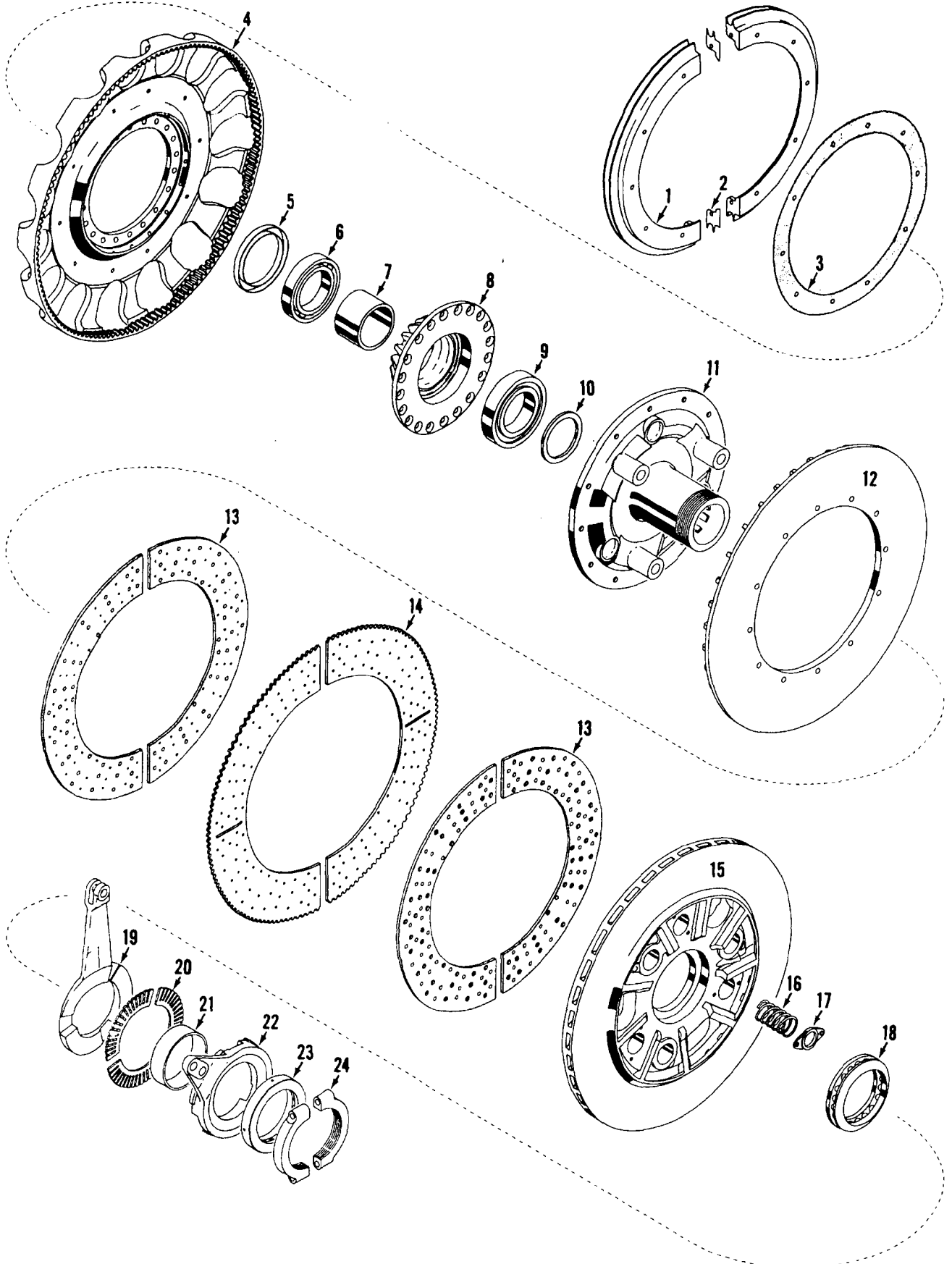
41933 FI Cont.

MANITOWOC ENGINEERING CO.

A Division of the Manitowoc Company, Inc.

Manitowoc, Wisconsin

MASTEK



43132A2

MATERIAL LIST ON BACK

MAIN DRIVE CLUTCH

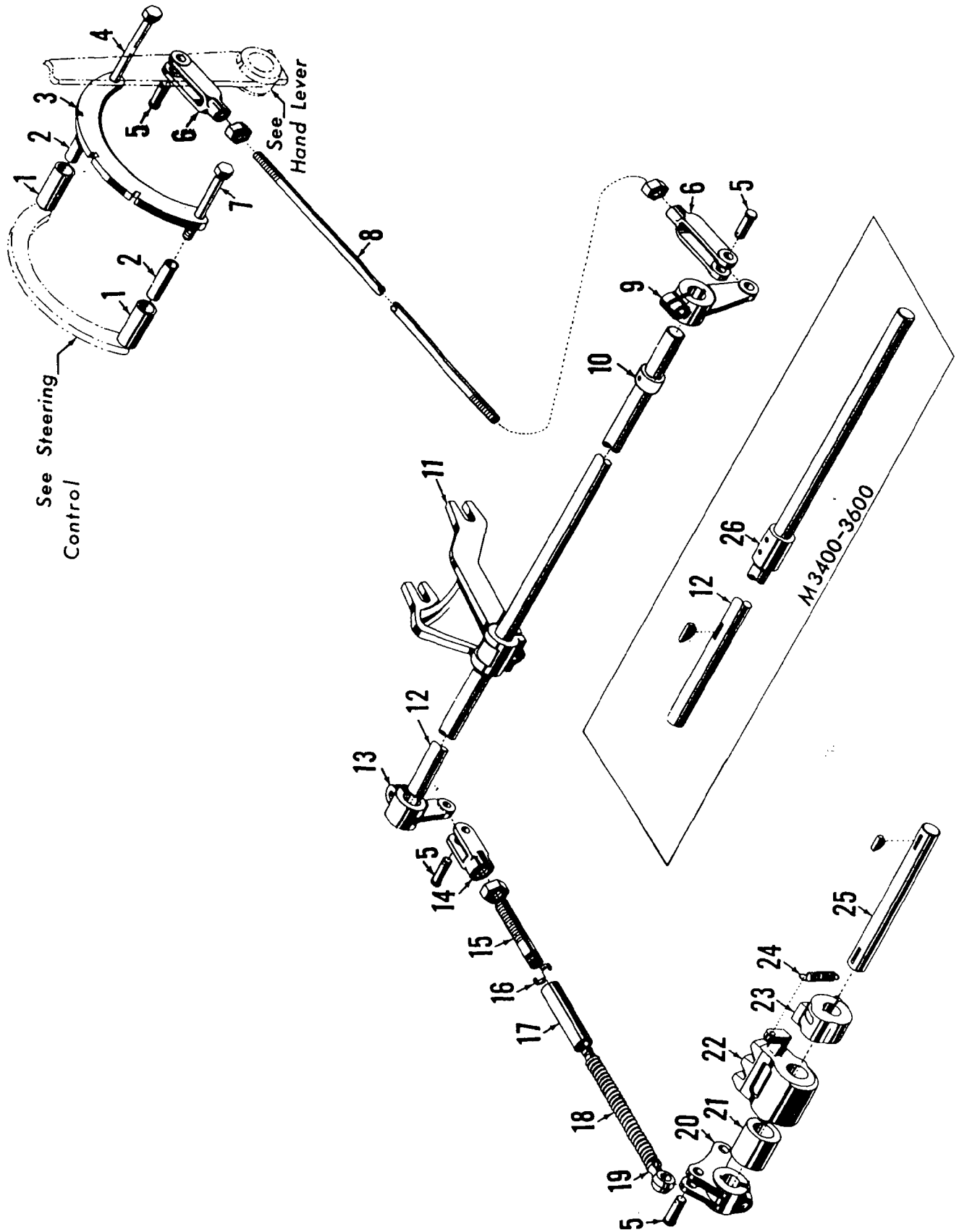
CLICK HERE TO **DOWNLOAD** THE COMPLETE MANUAL

- Thank you very much for reading the preview of the manual.
- You can download the complete manual from: [www.heydownloads.com](http://www.heydownloads.com) by clicking the link below



- Please note: If there is no response to CLICKING the link, please download this PDF first and then click on it.

CLICK HERE TO **DOWNLOAD** THE COMPLETE MANUAL

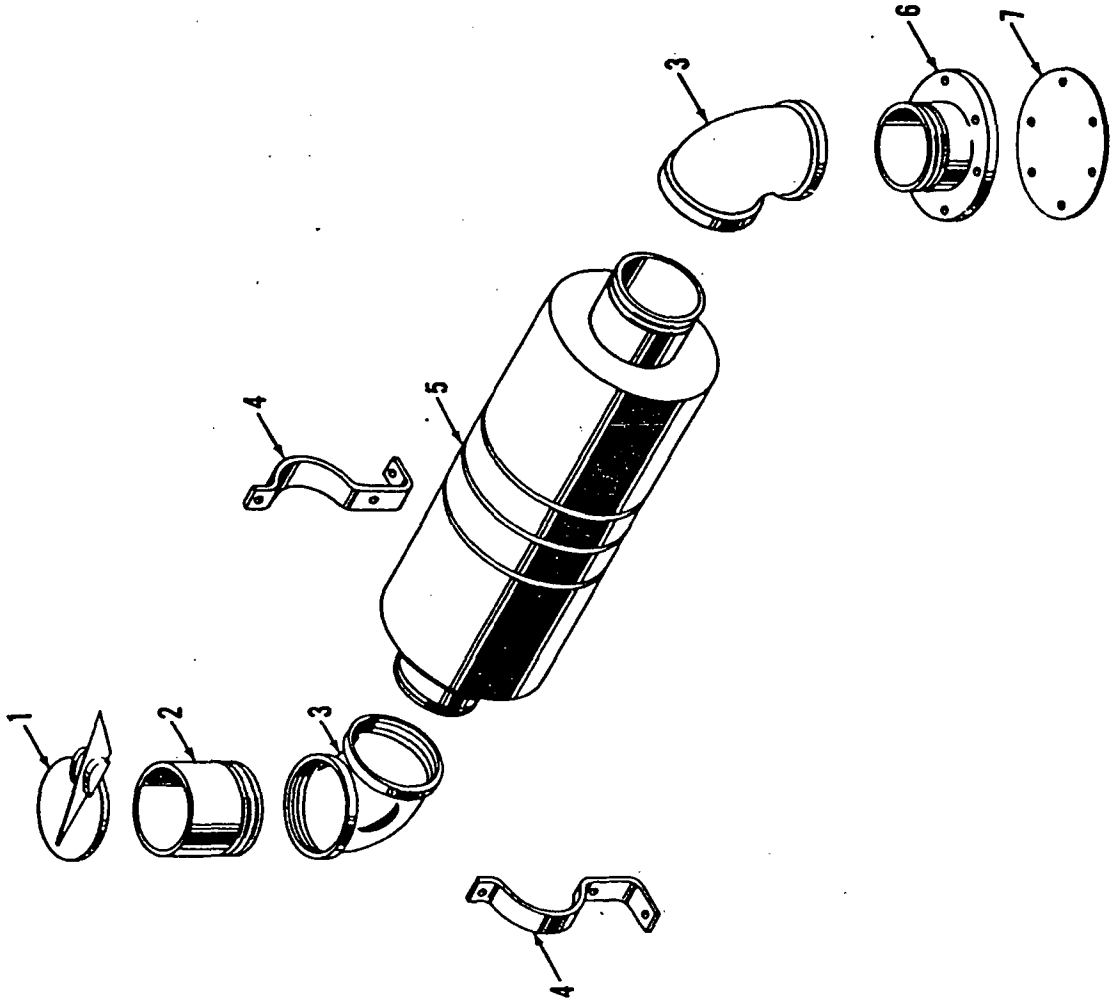


MANITOWOC ENGINEERING CO.

A Division of The Manitowoc Company, Inc.

Manitowoc, Wisconsin

MASTER

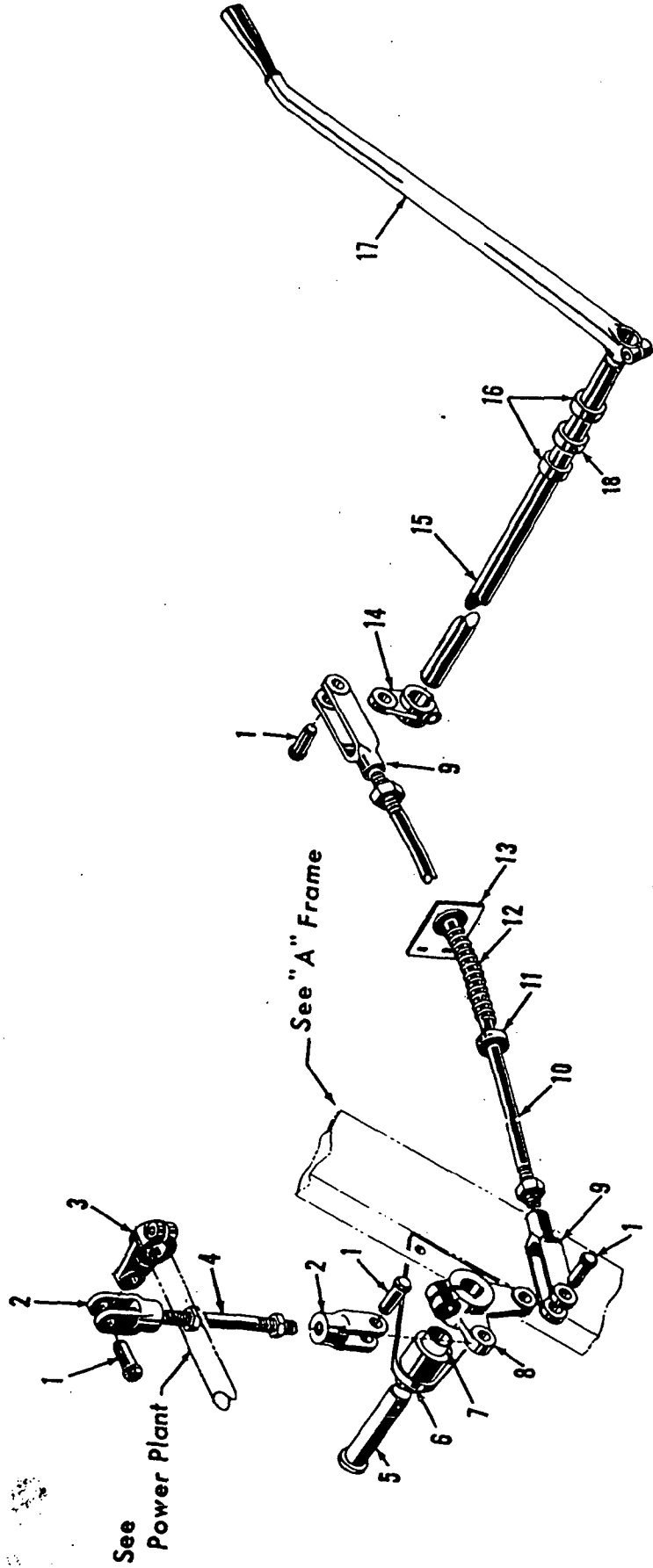


ILLUST. No. 23643-A-1

MATERIAL LIST ON BACK

MUFFLER ASSEMBLY

23643



4292381

See Power Plant

See "A" Frame

MATERIAL LIST ON BACK

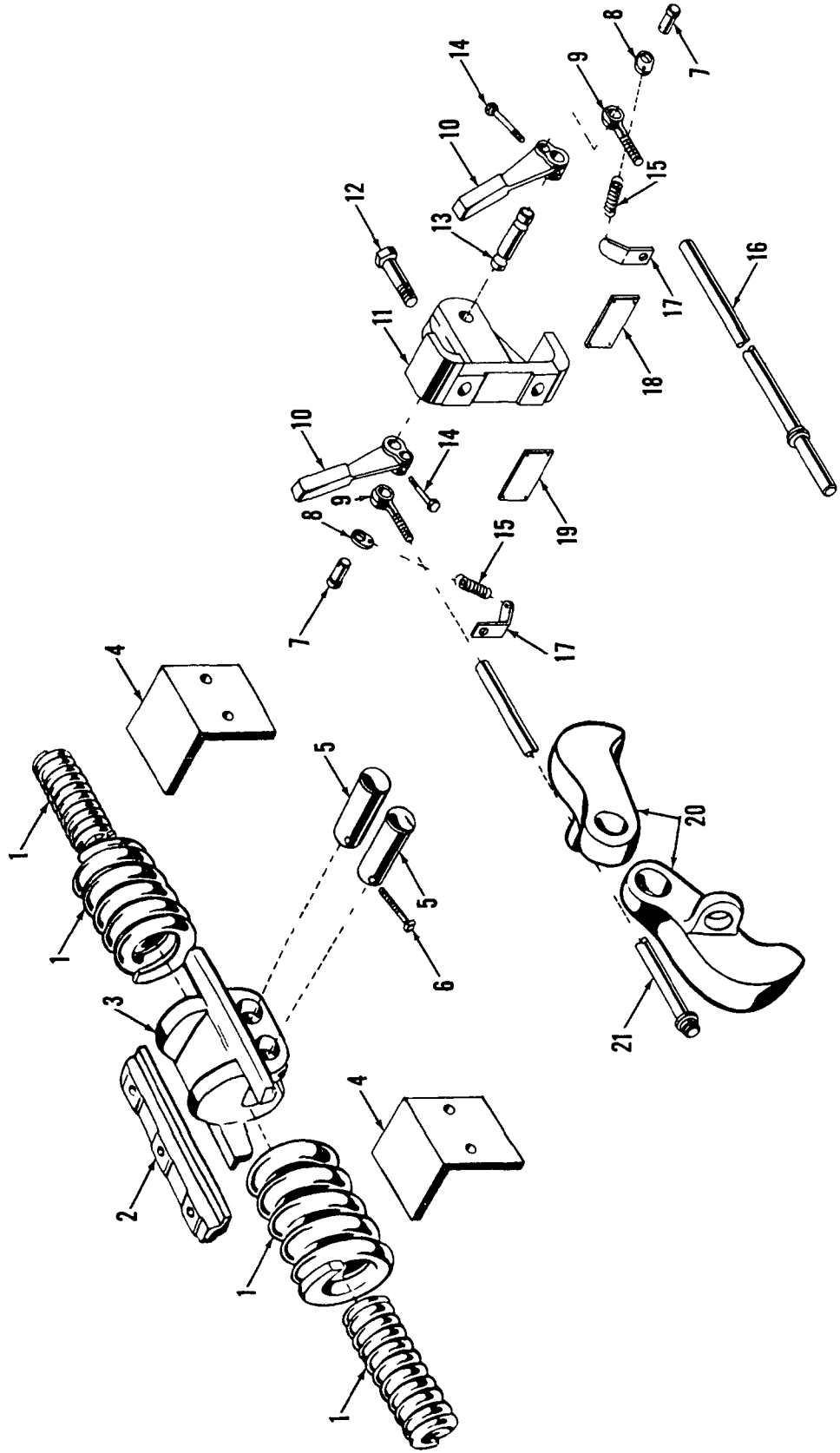
ENGINE CLUTCH CONTROL

MANITOWOC ENGINEERING CO

A Division of The Manitowoc Company, Inc.

Manitowoc, Wisconsin

MASTER



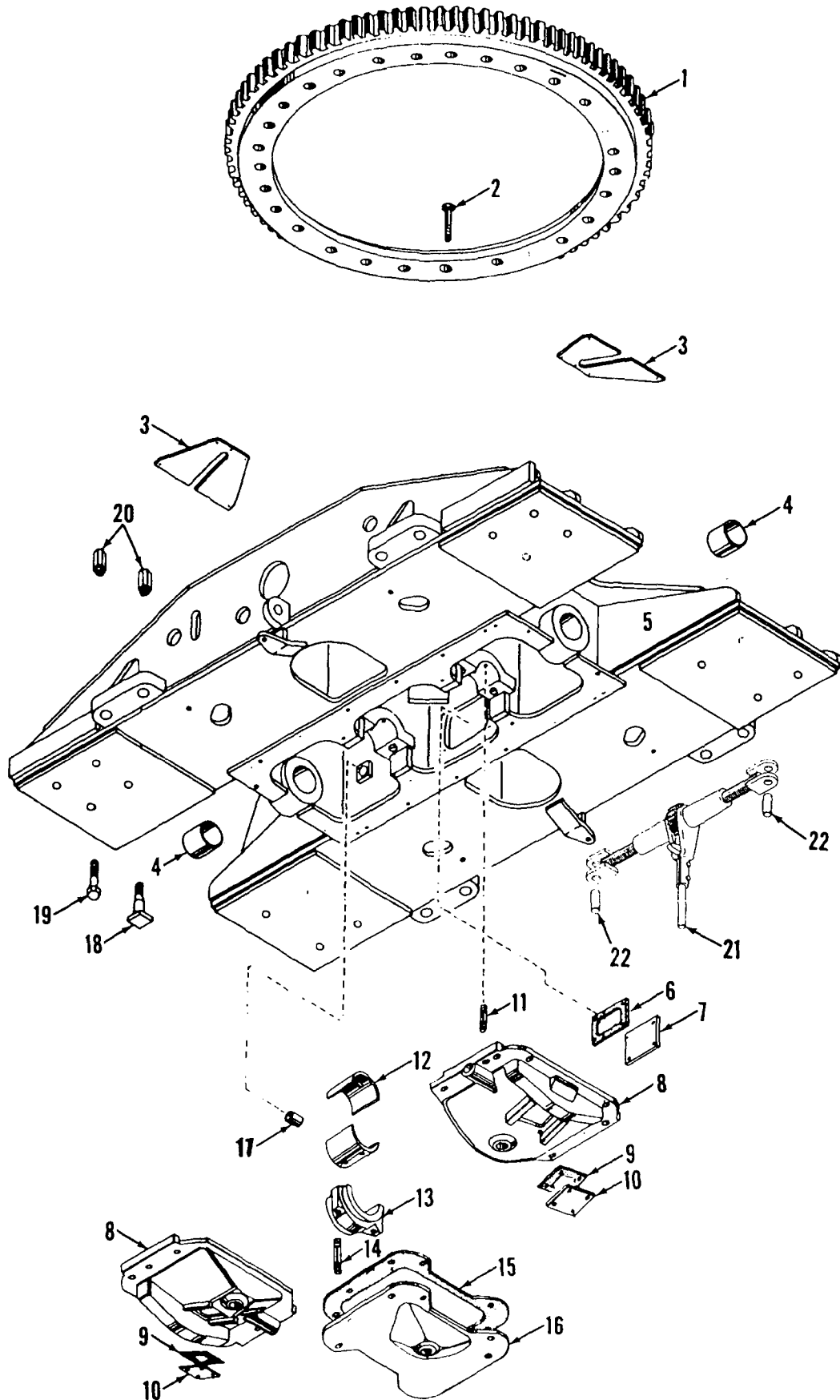
ILLUST No 32056 - B-1

MATERIAL LIST ON BACK

TRAVEL LOCK

32056 B1

MASTER



42911A1

MATERIAL LIST ON BACK

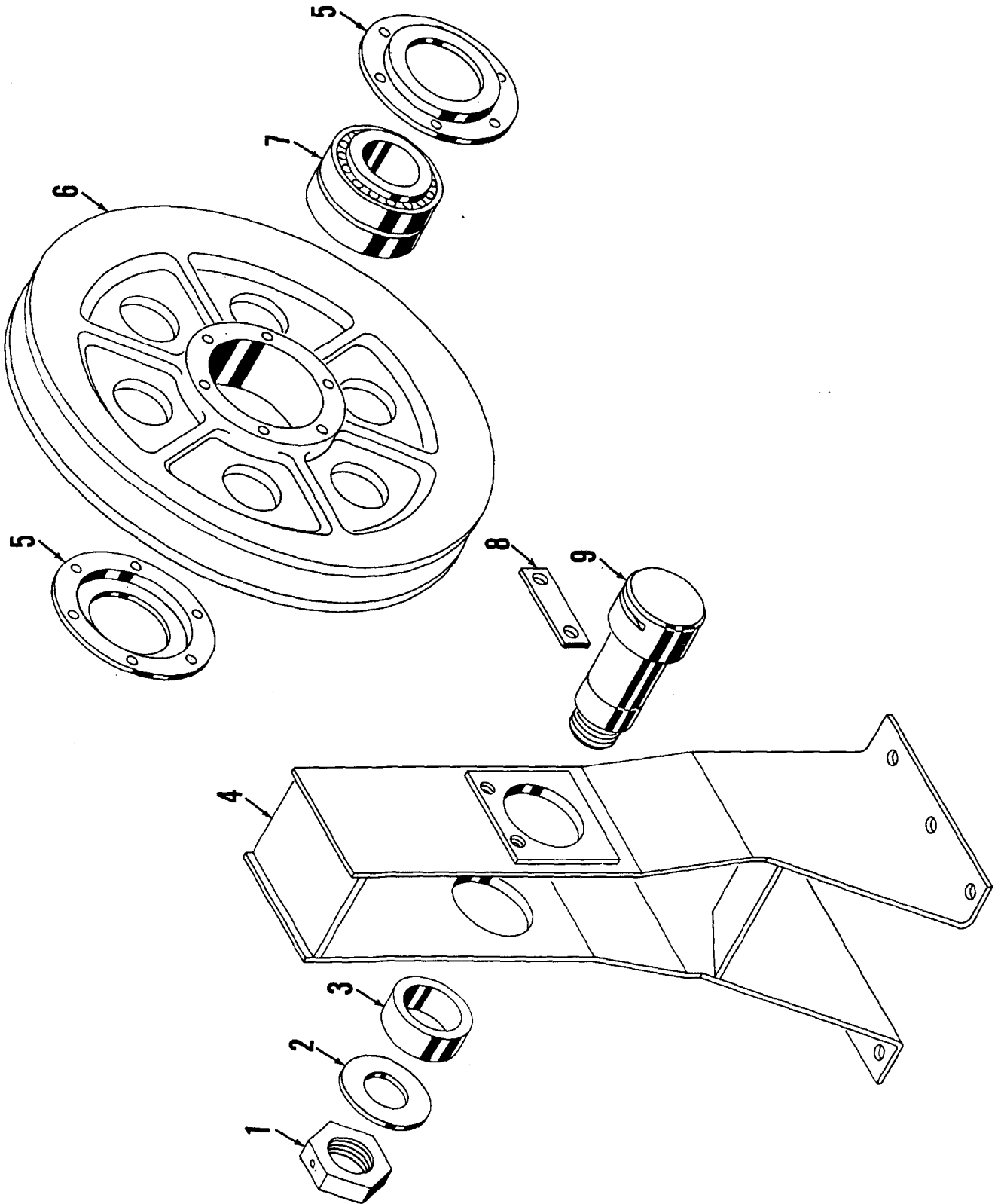
CARBODY

MANITOWOC ENGINEERING CO.

A Division of The Manitowoc Company, Inc.

Manitowoc, Wisconsin

MASTER



ILLUST. No. 24068-A-1

MATERIAL LIST ON BACK

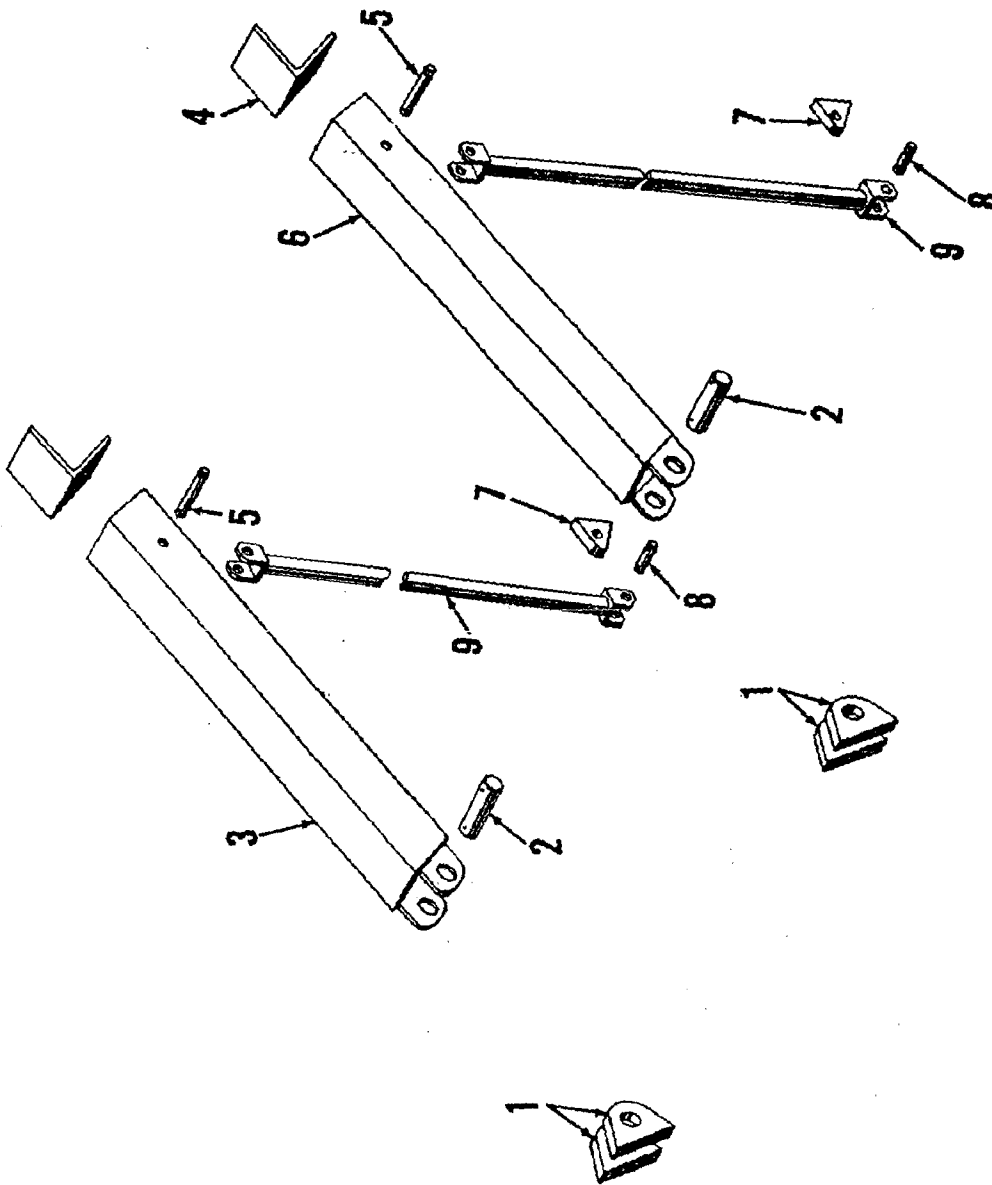
JIB ROPE GUIDE ASSEMBLY



MANITOWOC ENGINEERING CO.

A Division of The Manitowoc Company, Inc.

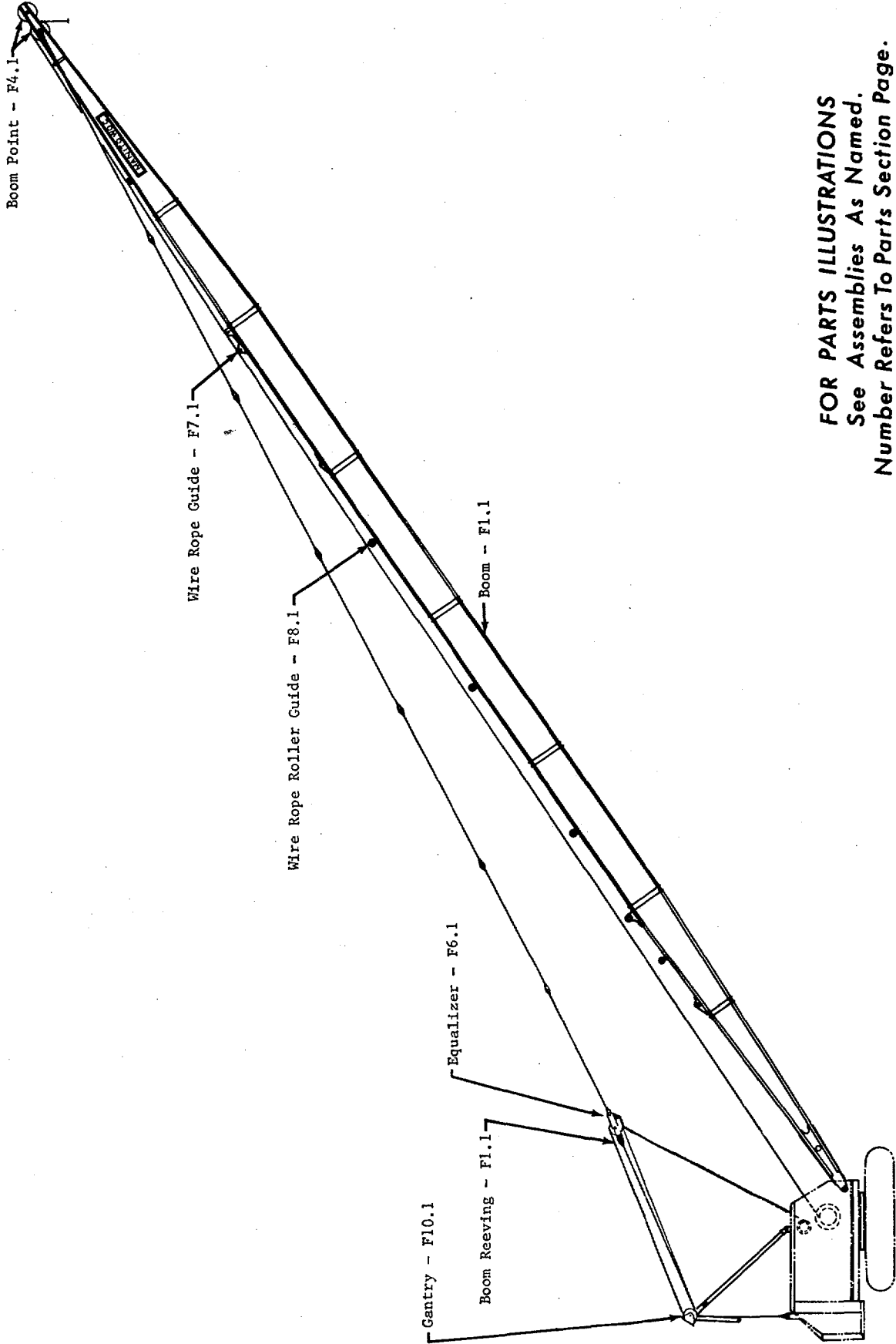
Manitowoc, Wisconsin



32579A1

MATERIAL LIST FOR THIS ASSEMBLY WILL BE FOUND ON BACK OF THIS PAGE

MANITOWOC ENGINEERING CO.

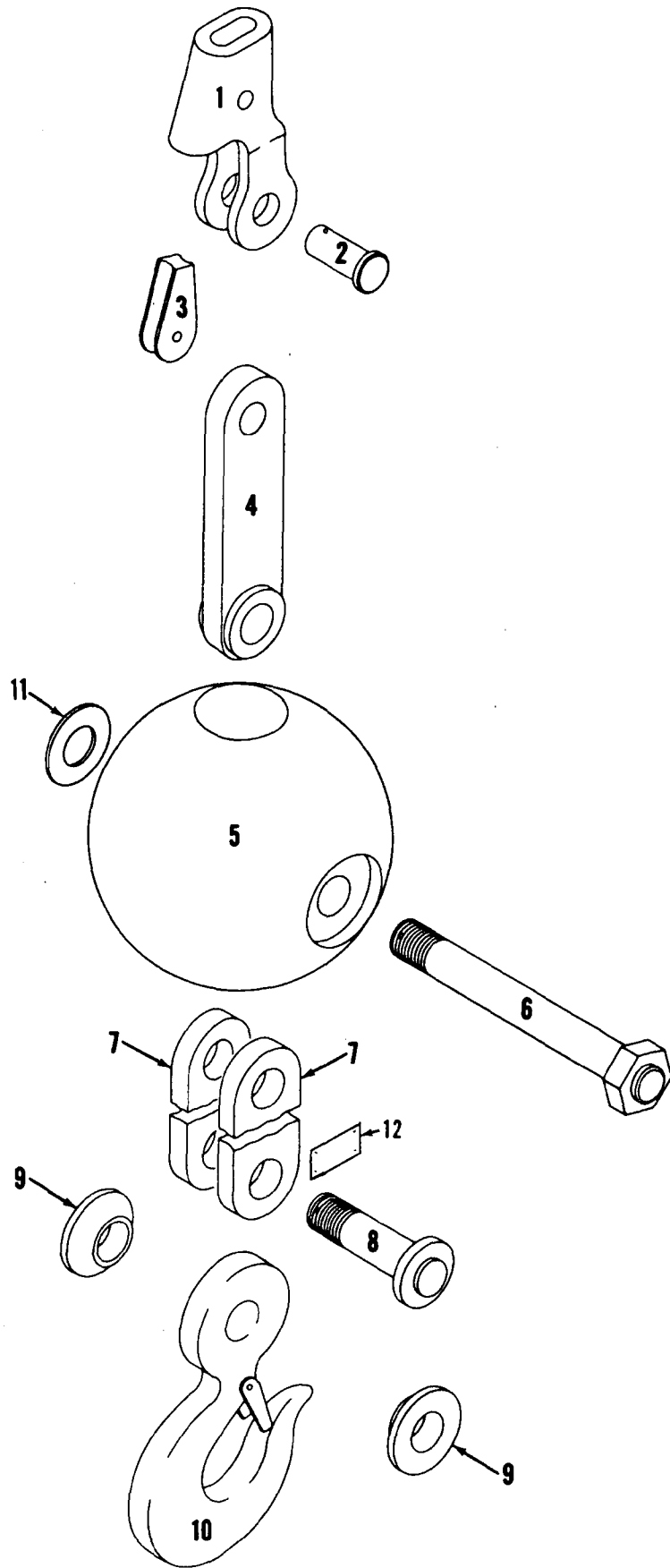


FOR PARTS ILLUSTRATIONS  
See Assemblies As Named.  
Number Refers To Parts Section Page.

M 3000 W

Arrgt. Boom No. 16

43242A1



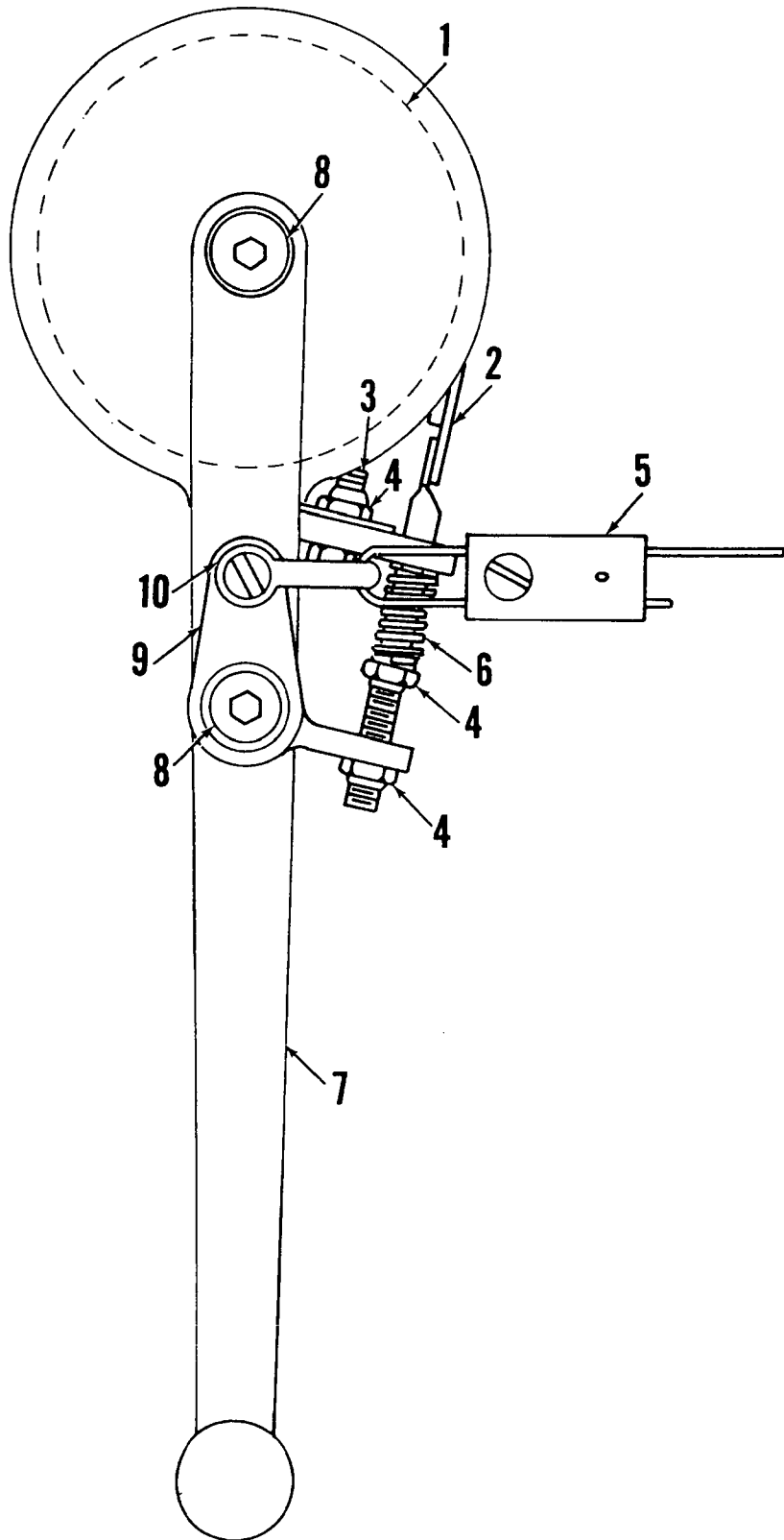
MASTE

75382 B1

7538281

MATERIAL LIST ON BACK

HOOK & WEIGHT BALL



MASTER

THROTTLE CONTROL ASSEMBLY

O-173

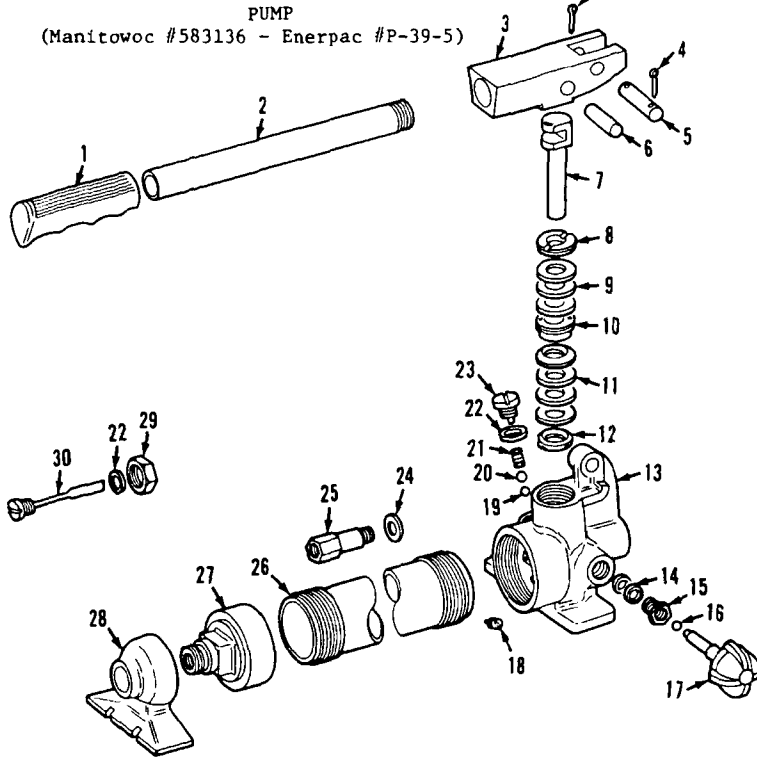
MATERIAL LIST ON BACK

O-173

MANITOWOC ENGINEERING CO.

A Division of The Manitowoc Company, Inc.

Manitowoc, Wisconsin

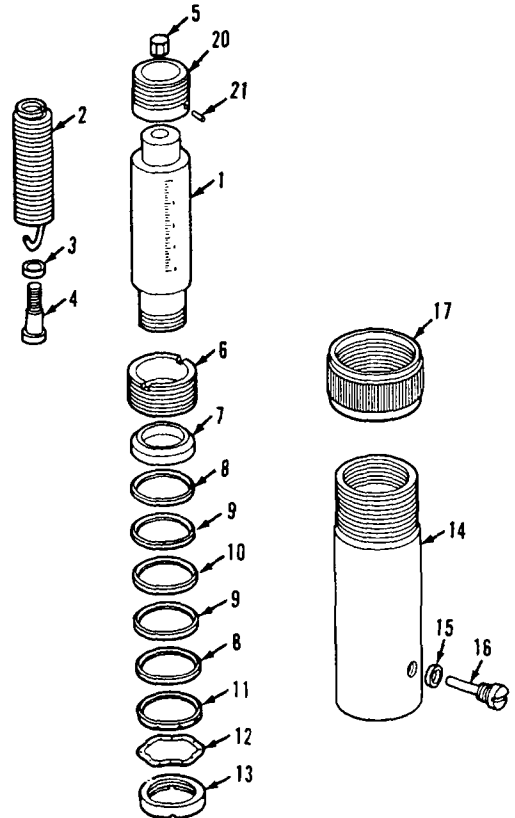


Ref. No.	No. Req.	Description	Part No.
1	1	Grip	C7.550
2	1	Handle	C7.900
3	1	Beam	B113.060-1
4	2	Pin, Cotter	S1.59
5	1	Pin, Beam	P76.63
6	1	Pin, Cross	P75.57
7	1	Plunger, Pump	P16.51
8	1	Nut, Retaining	P16.54
9	3	Packing, Pump	*
10	1	Nut, Cup Ret.	P16.55
11	4	Cup, Pump	*
12	1	Spreader	P1.52-2
13	1	Base	B121.005-1
14	2	Packing	*
15	1	Nut, Packing	MJ11-1
16	1	Ball	*
17	1	Spindle	J435.900
18	1	Screen, Oil	P807.18
19	2	Ball	*
20	1	Ball	*
21	1	Spring	S1.183
22	3	Gasket	*
23	1	Plug, Valve	CB9.185
24	1	Gasket	B159.167
25	1	Valve, By-pass	P182.190-2
26	1	Reservoir	P16.25
27	1	Cap, Reservoir	P75.266-1
28	1	Rest., Pump	P76.267-1
29	1	Nut	P75.181
30	1	Plug, Filler	B110.900
*		Kit	P39K-1

JACK  
(Manitowoc #385177 - Enerpac #RSP-251)

Part numbers are the Venders, Enerpac, Butler, Wis. 54220. Please so Specify if ordering from Manitowoc Engineering Co. When ordering parts, please give Model number and Serial number. See Nameplate for this information.

Ref. No.	No. Req.	Description	Part No.
1	1	Plunger Assembly	R251.900
20	1	Saddle	R251.45
21	1	Pin	R251.61
2	1	Spring	R225.184
3	1	Bearing Thrust	R225.155-1
4	1	Screw, Adjusting	R225.143-1
5	1	Nut	R225.55
6	1	Ring, Stop	R77.44-1
7	1	Disc	R225.71
8	2	Chevron	*
9	2	Separator, Cup	*
10	1	Chevron	*
11	1	Spreader	R77.43-1
12	1	Washer, Spring	*
13	1	Nut, Retaining	R77.35
14	1	Base	R225.05
15	1	Gasket	*
16	1	Screw, Retaining	R225.302
17	1	Protector, Thread	R158.271
	1	Coupler, Half	AR400
	1	Cap, Dust	Z410-1
	1	Decal	*
		Kit, Cylinder Packing	RC251K
		Kit, Coupler Packing	A604K



Crawler Adjusting Jack and Pump



CLICK HERE TO **DOWNLOAD** THE COMPLETE MANUAL

- Thank you very much for reading the preview of the manual.
- You can download the complete manual from: [www.heydownloads.com](http://www.heydownloads.com) by clicking the link below



- Please note: If there is no response to CLICKING the link, please download this PDF first and then click on it.

CLICK HERE TO **DOWNLOAD** THE COMPLETE MANUAL