



TRADITIONAL CRANE PARTS MANUAL

This manual has been prepared for and is considered part of

2900WC

Model

29516

Serial Number

GROUP A = Rotating Structure (Includes rotating bed, operator's cab, cases, fuel tanks, transfer pump, counterweights, guards, platforms, catwalks, machinery enclosure, horn)

GROUP B = Upperworks Machinery (Includes front, rear, and auxiliary drums, boom hoist, swing and drive shafts, hand levers, foot pedals, control linkage, rotation indicators, upperworks hydraulic components, hydraulic piping, hydraulic oil reservoir, lubrication pump and piping, blowers)

GROUP C = Air Components & Electrical (Includes control console, air piping, electric wiring, auxiliary light plant and lighting, TV monitoring, compressor and air tank)

GROUP D = Power Components - Upperworks (Includes engine or motor, radiator, auxiliary power plant, take off converters and piping, controls, VICON power lowering, torque limiter, hydraulic pumps and piping, fuel piping, battery box)

GROUP E = Lower Structure & Control (Includes carbody, crawlers, travel shafts and control, steering travel locks, hydraulic travel, travel power outriggers, carrier, pedestal, lowerworks hydraulic piping, RINGER components, barge mounting and machinery, spud drums)

GROUP F = Attachments (Includes booms, jibs, masts, tower, wire rope guides, equalizer, gantry, fairlead, timber guards, boom angle indicator, block-up limit, tag line, hook block, weight ball, upper and lower boom point, wind speed indicator, crowd and retract dipper sticks, dippers,)

O-NUMBER SECTION = (Includes lacing drawings and purchased component parts drawings referenced in sections A through F)

This manual is arranged in sections as listed above. Sections A through F are arranged by group numerical order with an index after each section tab. An alphabetical index for groups A Through F combined is located after the O-number Section. The O-number section is arranged in numerical order by O-number. Following this cover page are the Basic Specifications, Warranty Information, Tool List (if applicable) Outline Dimensions, Weights, and Dealer Listing.

MANITOWOC CRANES, INC.

2401 South 30th Street • PO Box 70

Manitowoc, WI 54221-0070

Phone: 920-684-6621 • Fax: 920-683-6278

CLICK HERE TO **DOWNLOAD** THE COMPLETE MANUAL

- Thank you very much for reading the preview of the manual.
- You can download the complete manual from: www.heydownloads.com by clicking the link below



- Please note: If there is no response to CLICKING the link, please download this PDF first and then click on it.

CLICK HERE TO **DOWNLOAD** THE COMPLETE MANUAL

MASTER

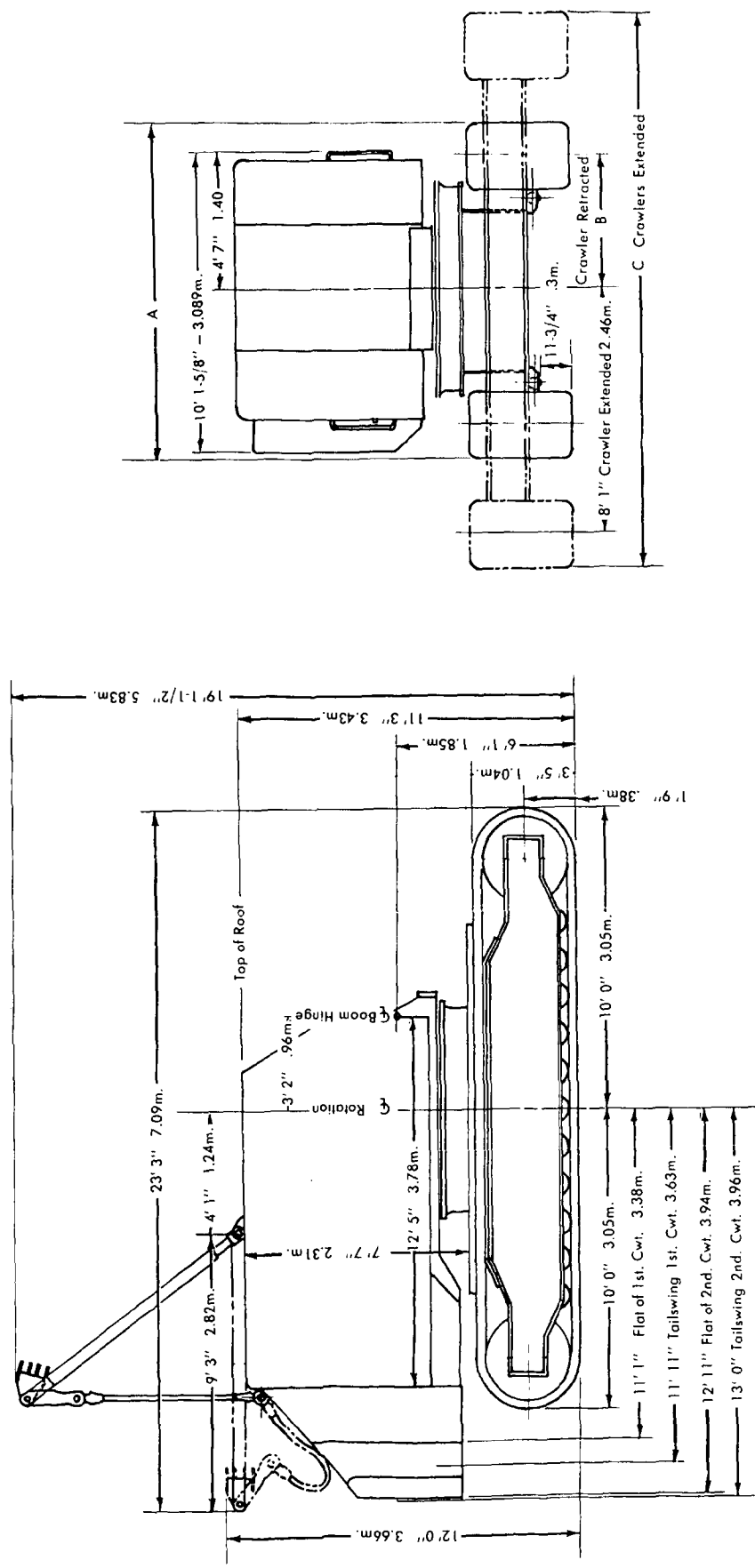
180060

180060

MANITOWOC ENGINEERING CO.

A Division of The Manitowoc Company, Inc.

Manitowoc, Wisconsin



Dimension	30" Treads	36" Treads
A	11' 5" - 3.48m.	12' 5" - 3.78m.
B	4' 5 1/2" - 1.36m.	4' 8 1/2" - 1.44m.
C	18' 8" - 5.69m.	19' 2" - 5.84m.

7-26-71
9-14-67
Date 8-25-67

180060

OUTLINE DIMENSIONS - M2900WC

32783-1 Cont.	REV. E	MODEL 2900-2900WC
---------------	-----------	----------------------

CAB
(MACH. W/TANDEM DRUMS)

Run as a Front

MASTER

32783 E1 Cont'd.

REF. NO.	PART NUMBER	QUANTITY REQUIRED	DESCRIPTION OF PART	VENDORS PART NO.
40	180112	1	CABINET, Tool W/padlock	
43	24963-2	1	SHEET, Rear Lower	
32	17834	1	GLASS, Window	
7	605301	1	CHANNEL, Rubber (7'4" - 2.236 m)	
34	31882	1	DOOR, Right Side (See Sheet #2)	
38	17836	1	GLASS, Window	
7	605301	1	CHANNEL, Rubber (9'6" - 2.895 m)	
41	32727	1	EXTENSION, W/capscrews, hex nuts and shake-proof washers	
42		1	PLATE, Cover	
44	30152	1	SHUTTER, Radiator W/hook, chain, stovebolts, hex nuts and lockwashers	
45	91349	1	CLOSING SHEET, Inside Right W/self tap screws and lockwashers	
46	32531	1	SHEET, Upper Inside Right W/mach. screws, stove bolts, hex nuts and lockwashers	
47	72803	1	SHEET, Inside Right Extension W/stove bolts, hex nuts, and lockwashers	
48	19144	1	GLASS, Window	
7	605301	1	CHANNEL, Rubber (8'10" - 2.692 m)	
	91350-6	1	SHEET, Left Inside (Complete) W/door, hinges, door buttons, self tap screws, mach. screws, hex nut, flat washers and lockwashers (W/Out Power Lowering)	
49	91350-2	1	SHEET, Closing	
50		1	ANGLE, Rear	
51		1	ANGLE, Front	
49a	77324	1	CLOSING SHEET, Left Inside W/capscrews and lockwashers (W/Power Lowering)	
52	76276	1	STOP, Latch W/capscrews, hex nuts and lockwashers	
53	76275	1	LATCH, Door W/capscrews, hex nut and lockwasher	
54	94239	1	LADDER, Roof	
	140651	2	BRACKET, Ladder	
	94053	1	HOLDERS, Chart and Manual	
55	93994	1	HOLDER, Chart	
56	181503	1	PLATE, Builder's	
57	139932	1	FRAME, Manual Holder	
56	181503	1	PLATE, Builder's	

REV. E	32783 - 1
-----------	-----------

RECOMMENDED PROCEDURE FOR COUNTERWEIGHT REMOVAL FOR MACHINES WITH 9 FOOT FOLDING GANTRY AND NOT MORE THAN 40 FOOT OF BOOM

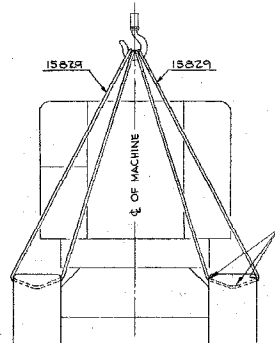
1. SWING UPPER WORKS UNTIL FACING FORWARD AND BOOM UP TO REMOVE LOAD FROM 72393. DISCONNECT FROM CAB ROOF AND SECURE TO BRACKET ON GANTRY. BOOM STOPS TO BE IN PLACE.
2. BOOM DOWN UNTIL GANTRY LOWERS PART WAY. INSTALL BRACKET 72159 WITH THE LUG TOWARD THE CENTER OF THE MACHINE. CONNECT BRIDLES 74951 TO LUGS AND TO 2ND C.W.T.
3. BOOM UP TO APPROX. 60°
4. TIE BOOM DOWN TO CRAWLERS BY INSTALLING SLINGS 15829 THROUGH FRONT IDLERS. (MINIMUM FOUR PART LOAD LINE)
5. REMOVE LOWER C.W.T. BOLTS, HOLDING 2ND C.W.T. TO 1ST C.W.T.
6. BOOM UP SLIGHTLY TO RELIEVE PRESSURE ON UPPER C.W.T. BOLTS. REMOVE BOLTS.
7. BOOM DOWN UNTIL C.W.T. RESTS ON GROUND, LOW-BOY, ETC. AND BOOM RESTS ON GROUND OR OTHER SUPPORT. (40 FT. BOOM IS MAX. LENGTH THAT CAN BE USED)
8. REMOVE BRIDLES 74951, BRACKETS 72159, AND ATTACH TO 1ST C.W.T.
9. BOOM UP TO APPROX. 60°
10. REMOVE LOWER C.W.T. BOLTS.
11. BOOM UP SLIGHTLY TO REMOVE PRESSURE ON C.W.T. PINS AND REMOVE PINS BY DRIVING THROUGH HOLES INTO POCKETS IN C.W.T.
12. BOOM DOWN UNTIL C.W.T. AND BOOM REST ON GROUND OR OTHER SUPPORT. (40 FT. BOOM IS MAX. LENGTH THAT CAN BE USED)
13. REMOVE BRIDLES 74951, BRACKETS 72159, AND SLINGS 15829
14. REMOVE LOWER PIN FROM GANTRY PENDANTS AND ATTACH PENDANTS TO LOWER HOLES IN CAB REAR.

REQD	DWG. NO.	TITLE
2	14307	BOLT
4	15674	KEEPER PLATE
2	17245	BOLT
1	43182	1ST COUNTERWEIGHT
1	43185	2ND COUNTERWEIGHT
2	72159	BRACKET
2	74924	PIN
2	74951	C.W.T. LIFTING BRIDLE
2	74953	PIN
1	74966	GANTRY TIE DOWN LUG (R.H.)
1	74967	GANTRY TIE DOWN LUG (L.H.)
2	92062	BRACKET
4	546824	NUT
2	15829	SLING
4	710312	WASHER
4	74985	STRAP

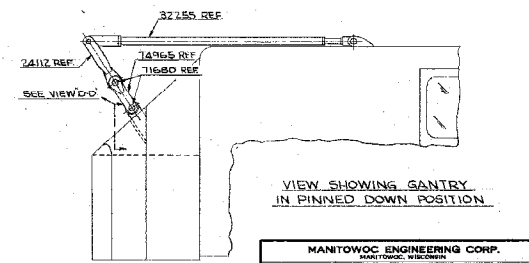
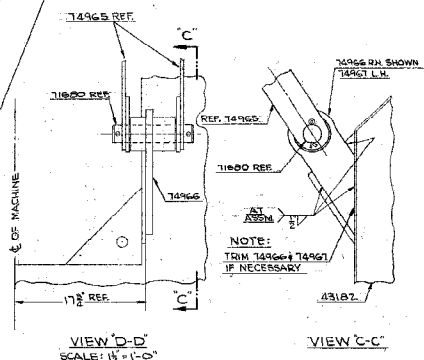
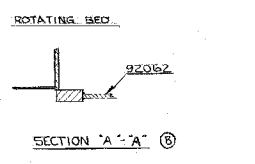
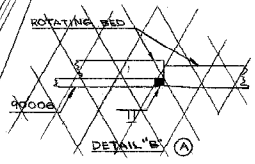
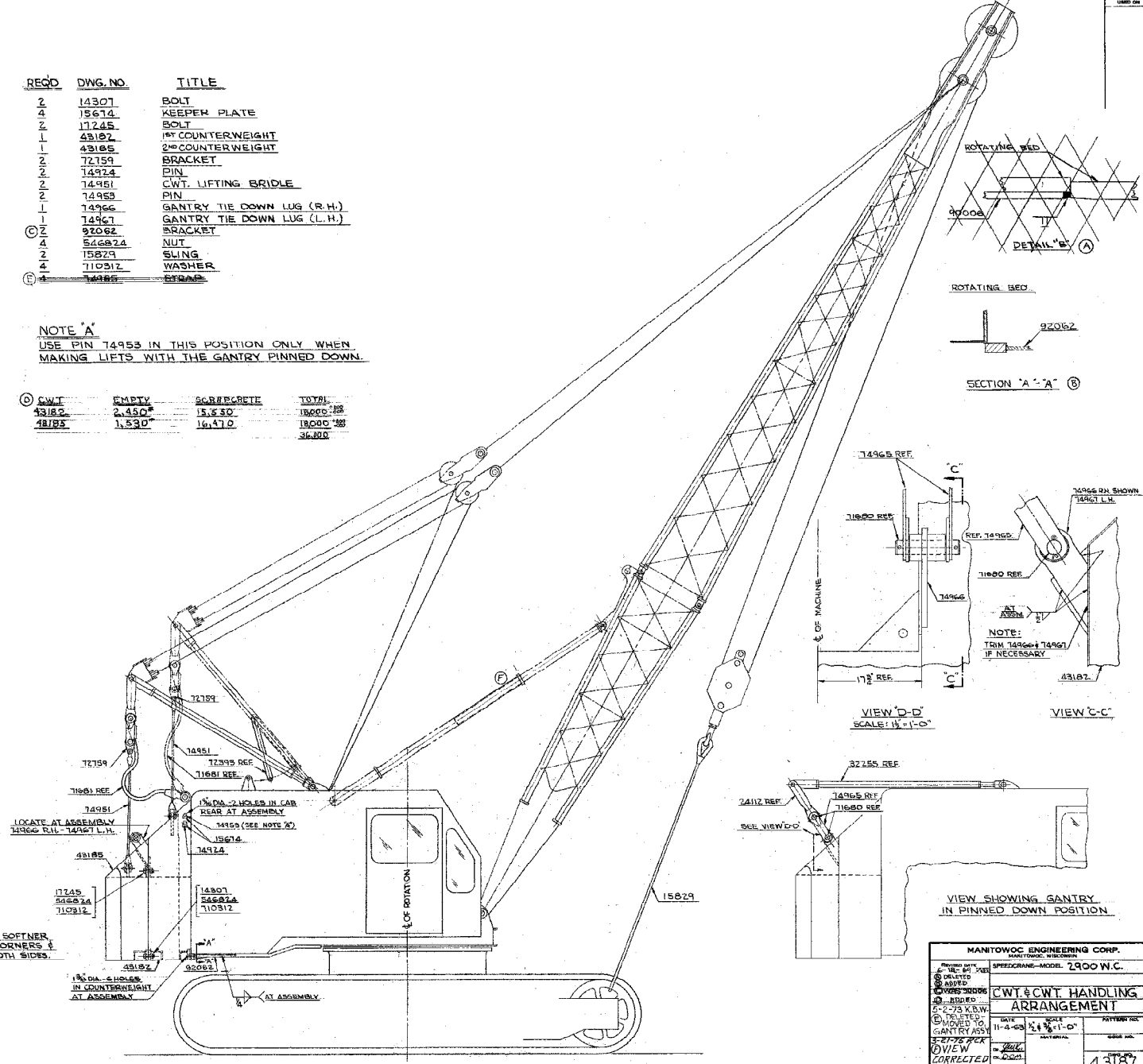
NOTE 'A' USE PIN 74953 IN THIS POSITION ONLY WHEN MAKING LIFTS WITH THE GANTRY PINNED DOWN.

C.W.T.	EMPTY	SCRETE	TOTAL
43182	2,450	15,630	18,080
43185	1,530	16,470	18,000
			36,080

FRONT VIEW SHOWING SLING ARRANGEMENT (CRAWLERS RETRACTED) SCALE: 1/2"=1'-0"



NOTE: CUSTOMER TO USE SOFTNER BETWEEN SHARP CORNERS OF CABLE SLING ON BOTH SIDES.



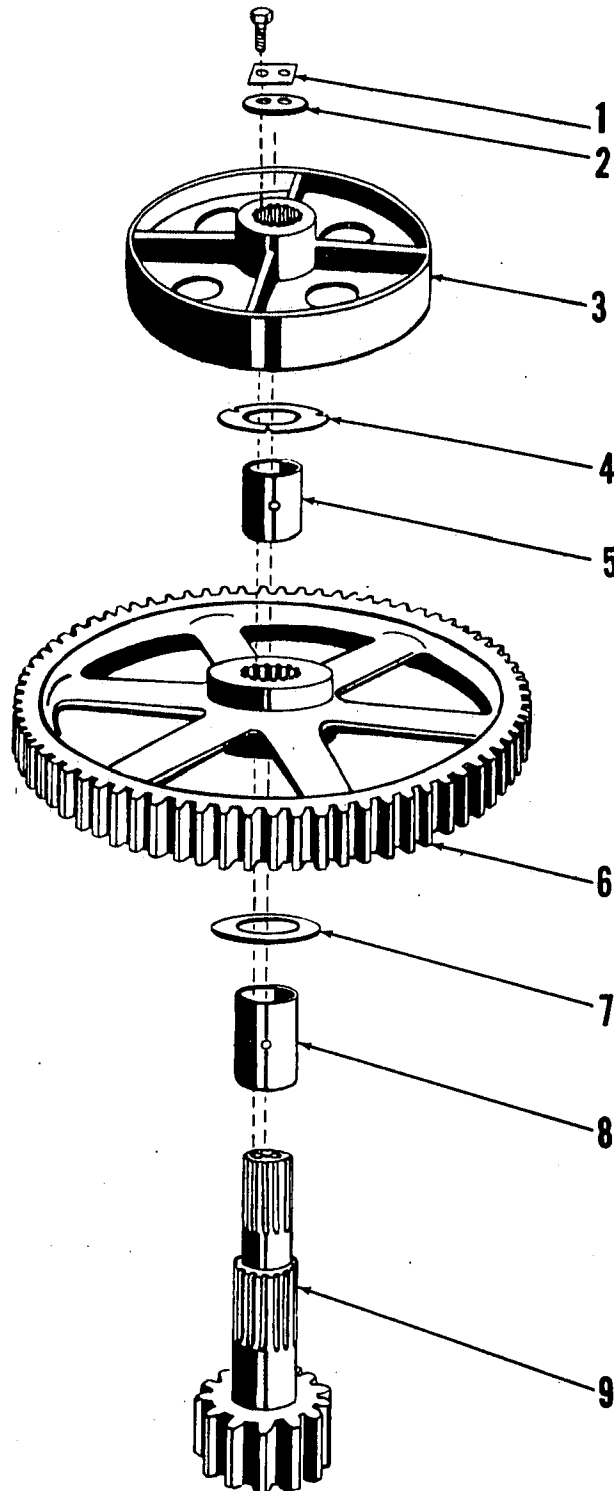
MANTOWOC ENGINEERING CORP.			
MANTOWOC WISCONSIN			
DESIGNED BY	DATE	SPEEDCRANE-MODEL 2900 W.C.	
DRAWN BY	DATE		
CHECKED BY	DATE		
APPROVED BY	DATE		
PROJECT		C.W.T. & C.W.T. HANDLING ARRANGEMENT	
SCALE	DATE	BY	APP'D
1/2"=1'-0"	11-4-68	K. J. H.	
REVISIONS		ISSUE NO.	
1	2-27-78	FOR	
VIEW CORRECTED		43187	

DO NOT SCALE THIS DRAWING

MANITOWOC ENGINEERING CO.

A Division of The Manitowoc Company, Inc.

Manitowoc, Wisconsin



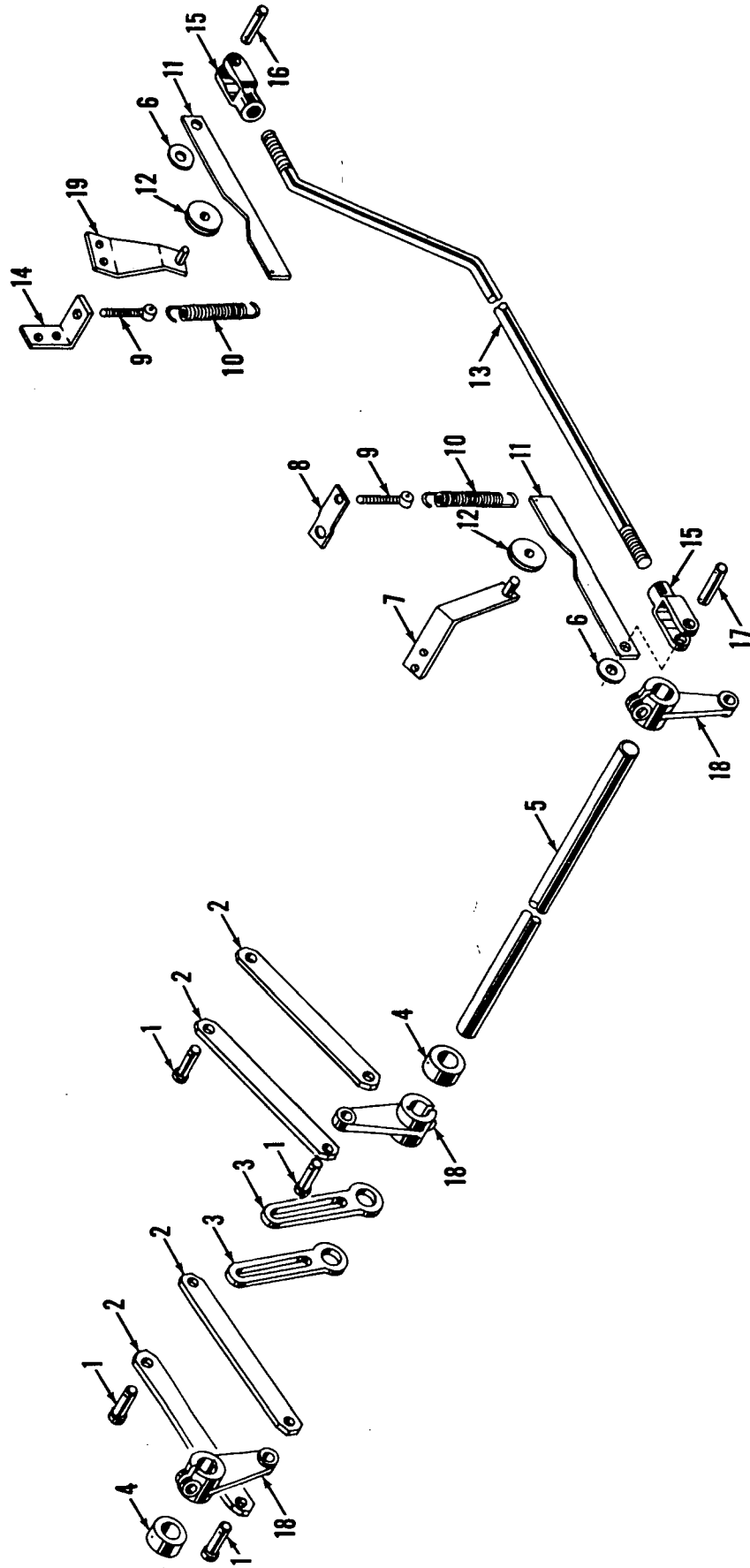
ILLUST. No. 23087 A-1

MATERIAL LIST ON BACK

MASTER

23087 A-1

SWING SHAFT



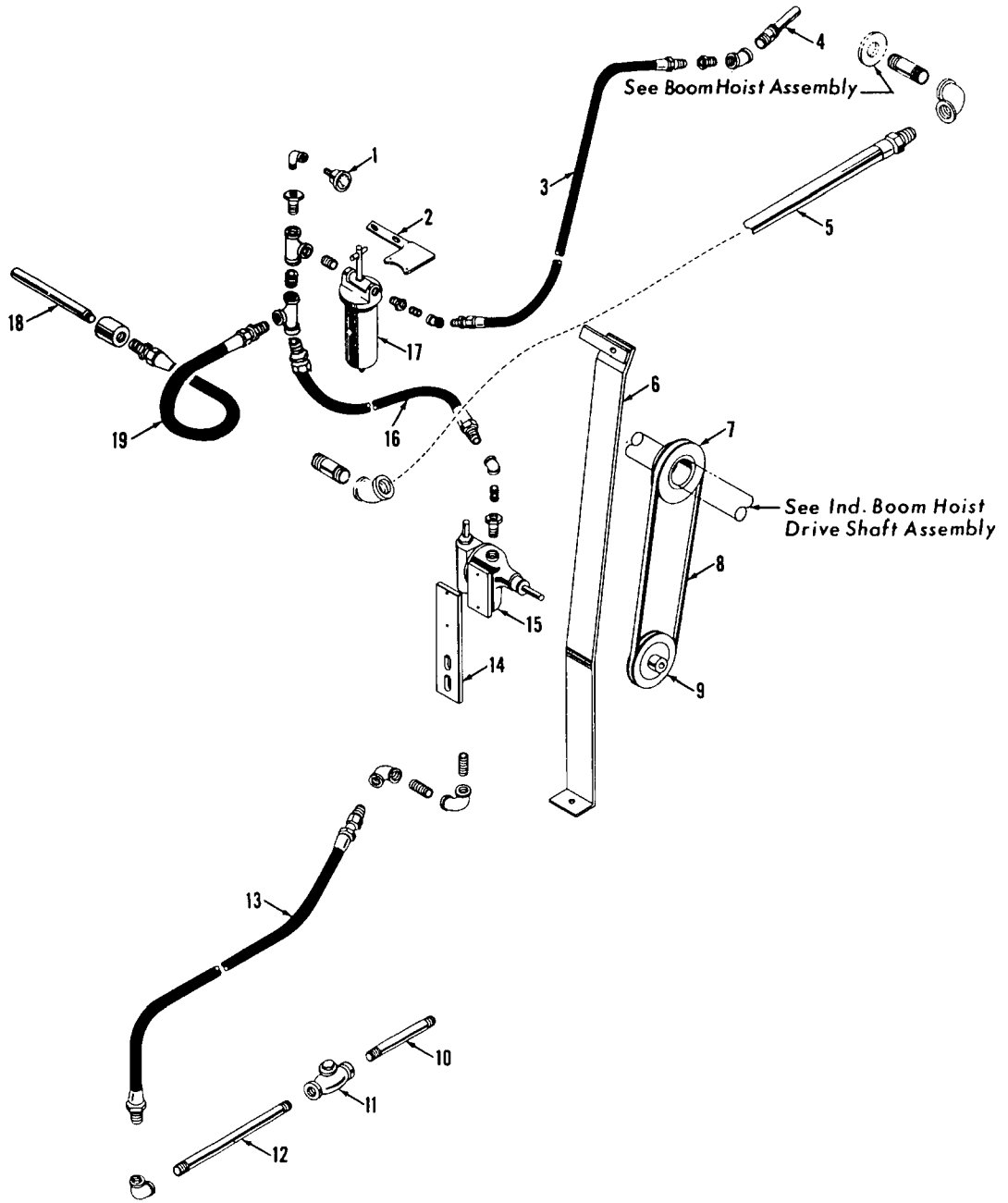
MASTER

41693 B1

41693 - B - 1

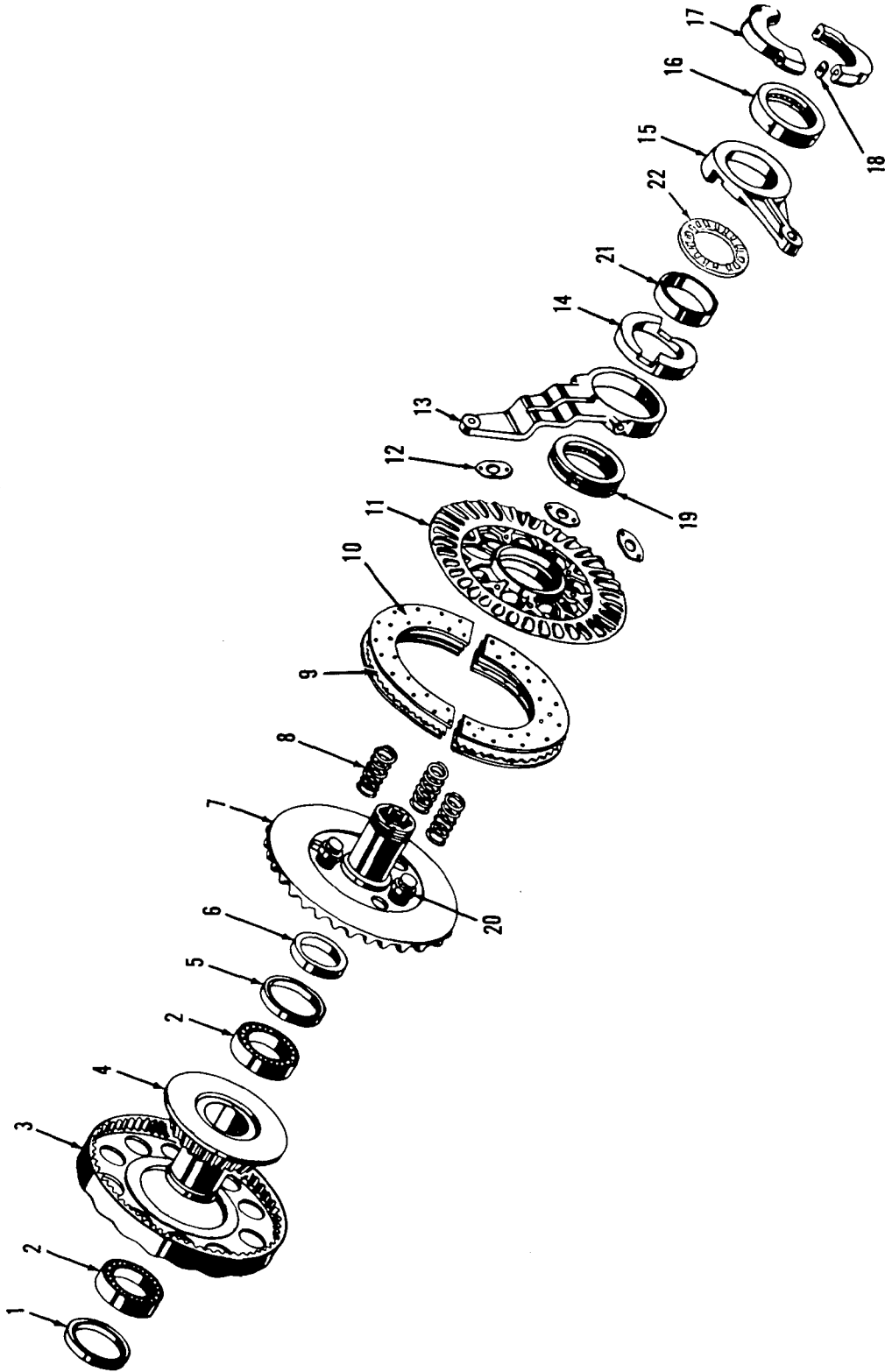
MATERIAL LIST ON BACK

SWING CLUTCH CONTROL ASSEMBLY



MASTER

2498 - A-1



42497 C2

MATERIAL LIST ON BACK

MAIN DRIVE CLUTCH

42497 - C2

MASTER

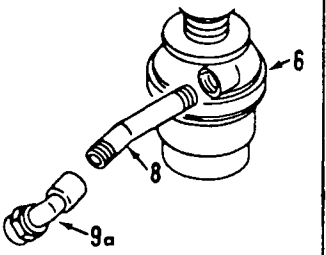
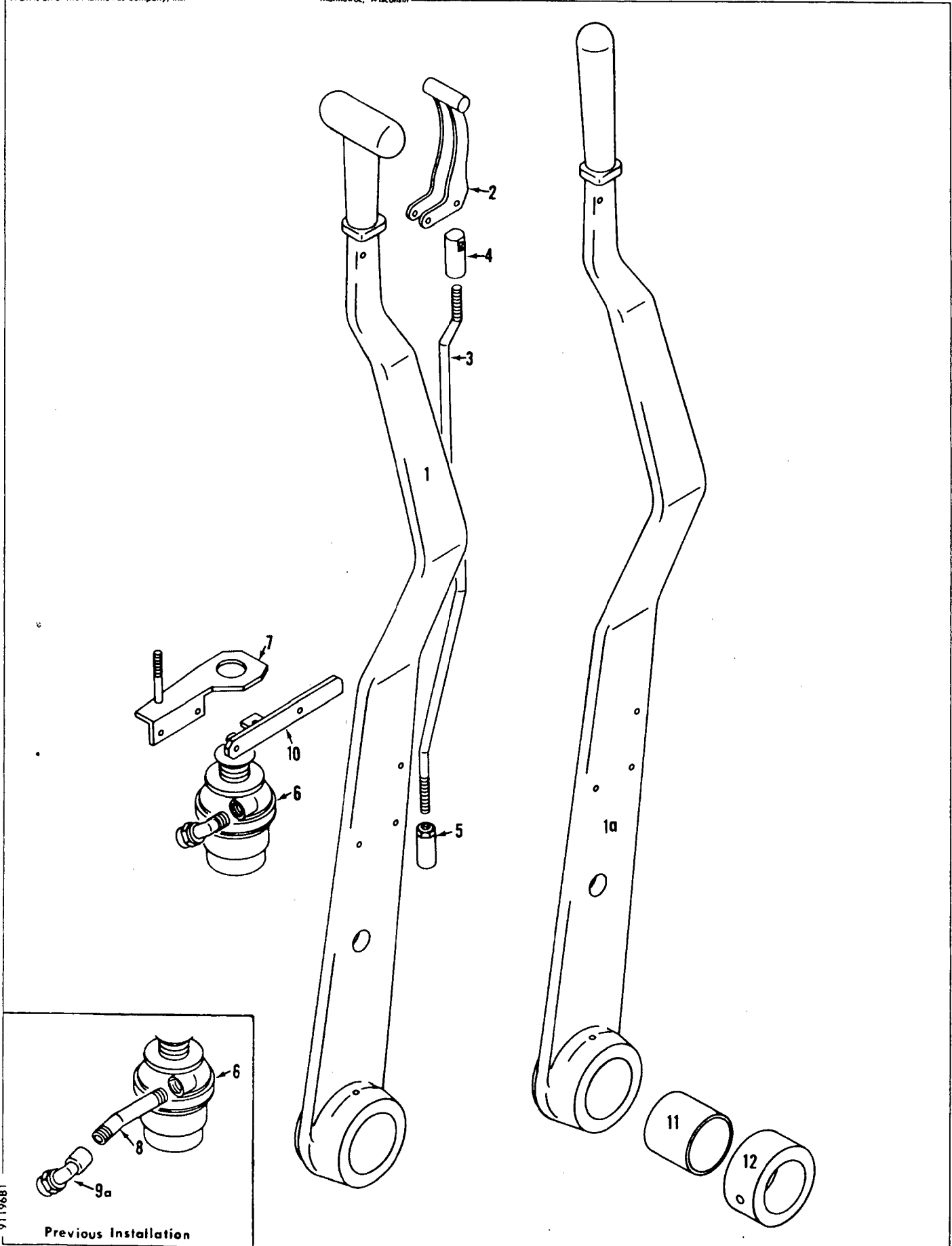
MASTER

MASTER

MANITOWOC ENGINEERING CO.

A Division of The Manitowoc Company, Inc.

Manitowoc, Wisconsin



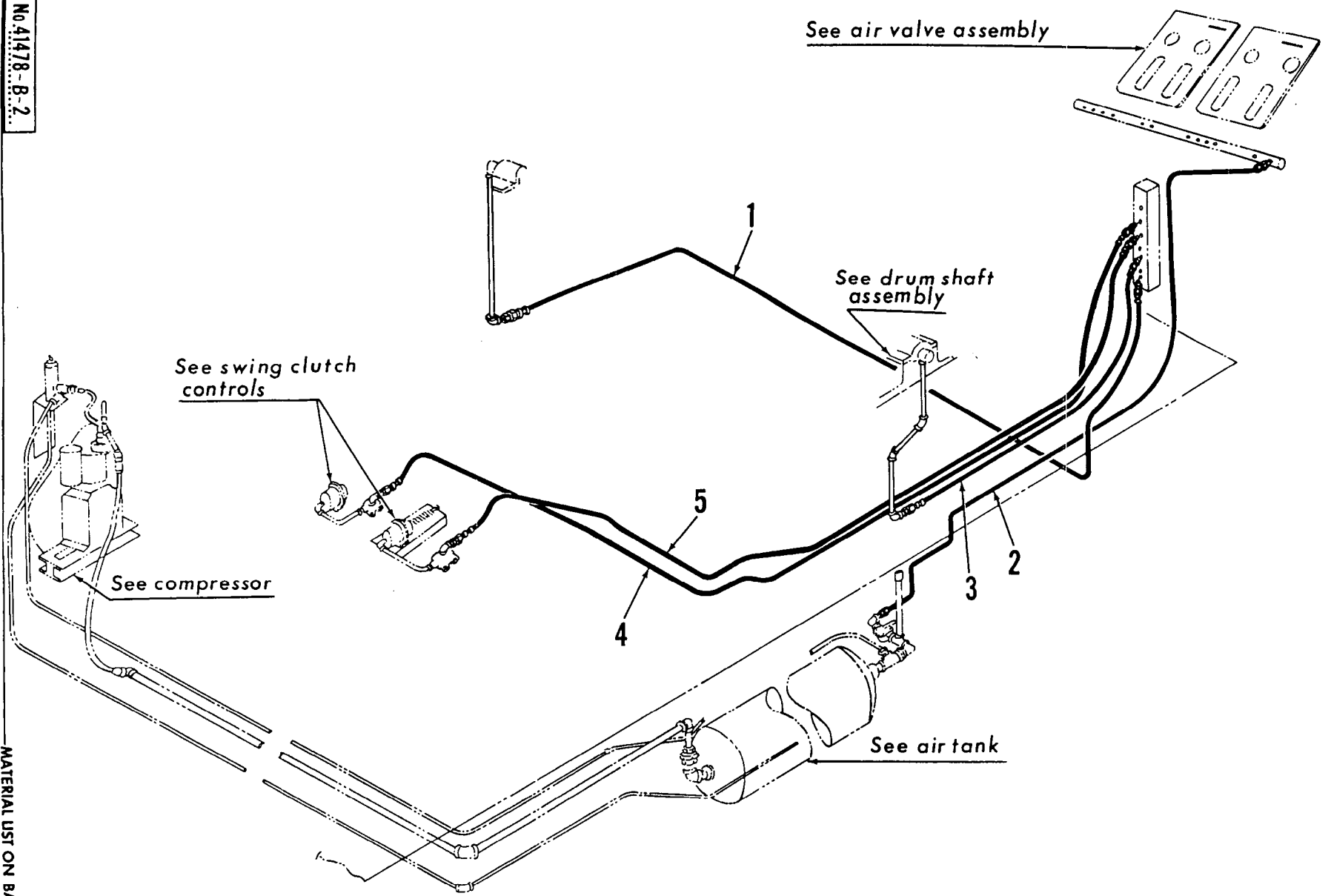
9119681

91196 BI

MATERIAL LIST ON BACK

HAND LEVER

ILLUST. No. 41478-B-2



MATERIAL LIST ON BACK

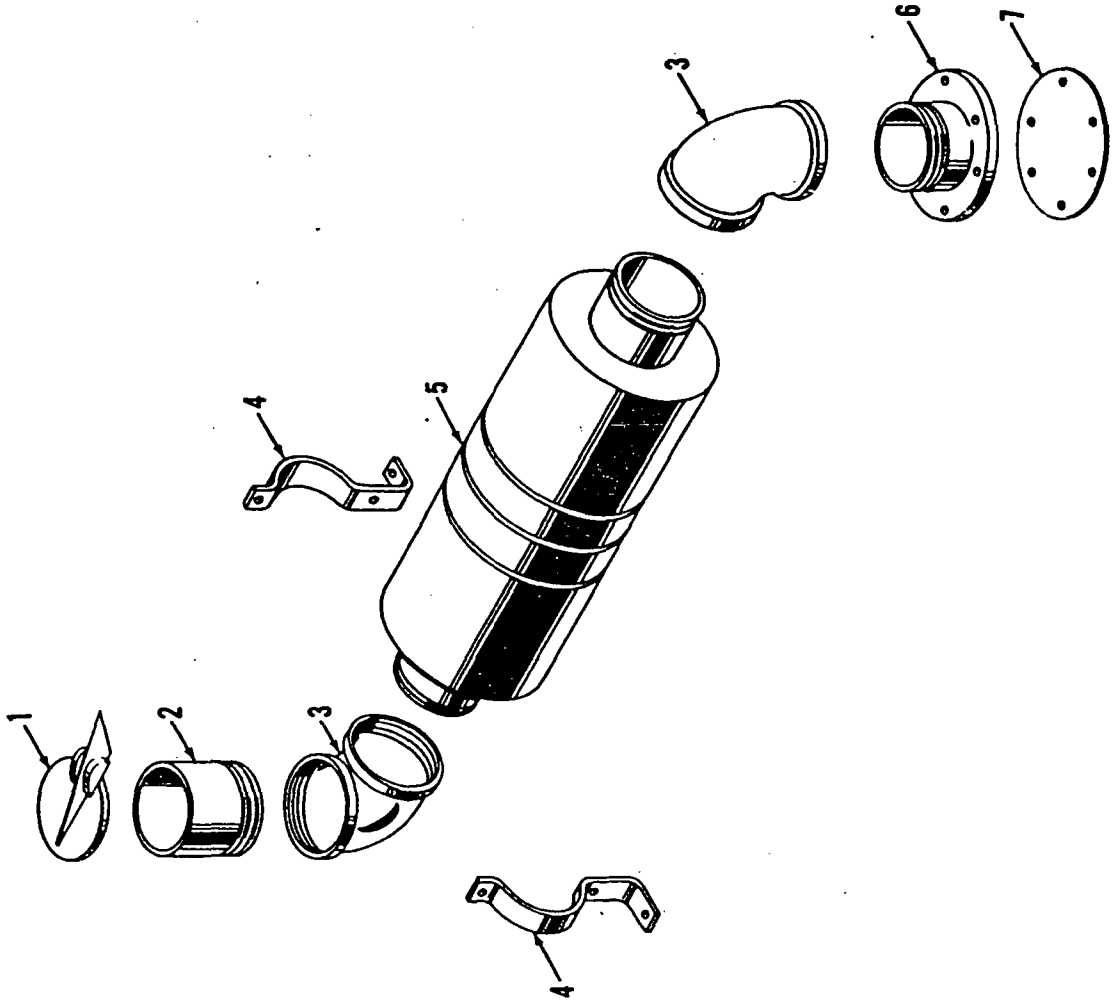
AIR PIPING FOR CRANE & DRAGLINE

MANITOWOC ENGINEERING CO.

A Division of The Manitowoc Company, Inc.

Manitowoc, Wisconsin

MASTER



ILLUST. No. 23643-A-1

MATERIAL LIST ON BACK

MUFFLER ASSEMBLY

23643

GROUP E - Lower Structure & Control

CLICK HERE TO **DOWNLOAD** THE COMPLETE MANUAL

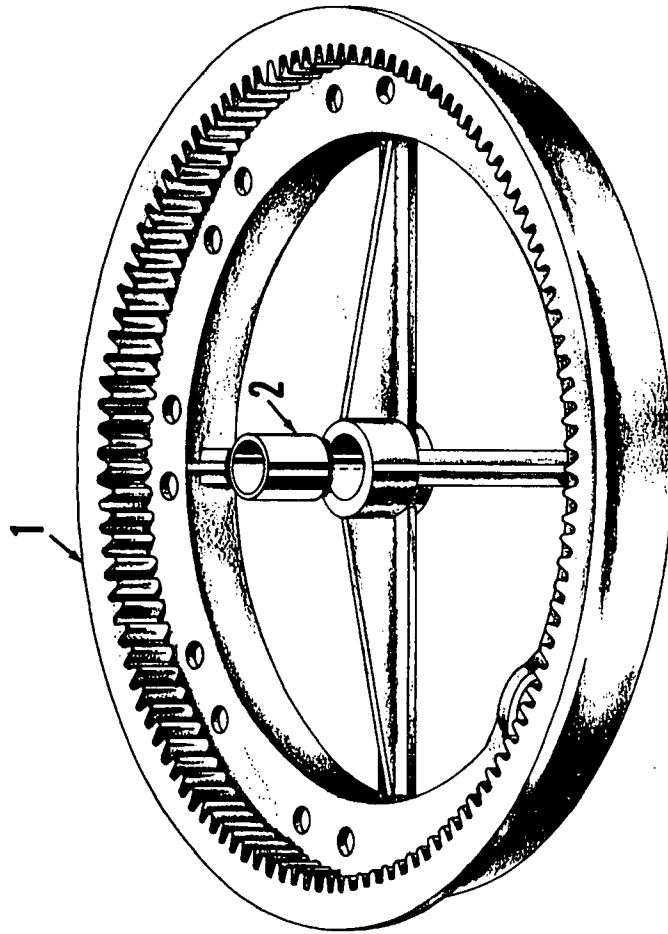
- Thank you very much for reading the preview of the manual.
- You can download the complete manual from: www.heydownloads.com by clicking the link below



- Please note: If there is no response to CLICKING the link, please download this PDF first and then click on it.

CLICK HERE TO **DOWNLOAD** THE COMPLETE MANUAL

MASTER



ILLUST. No. 41734-A-2

MATERIAL LIST ON BACK

RING GEAR ASSEMBLY

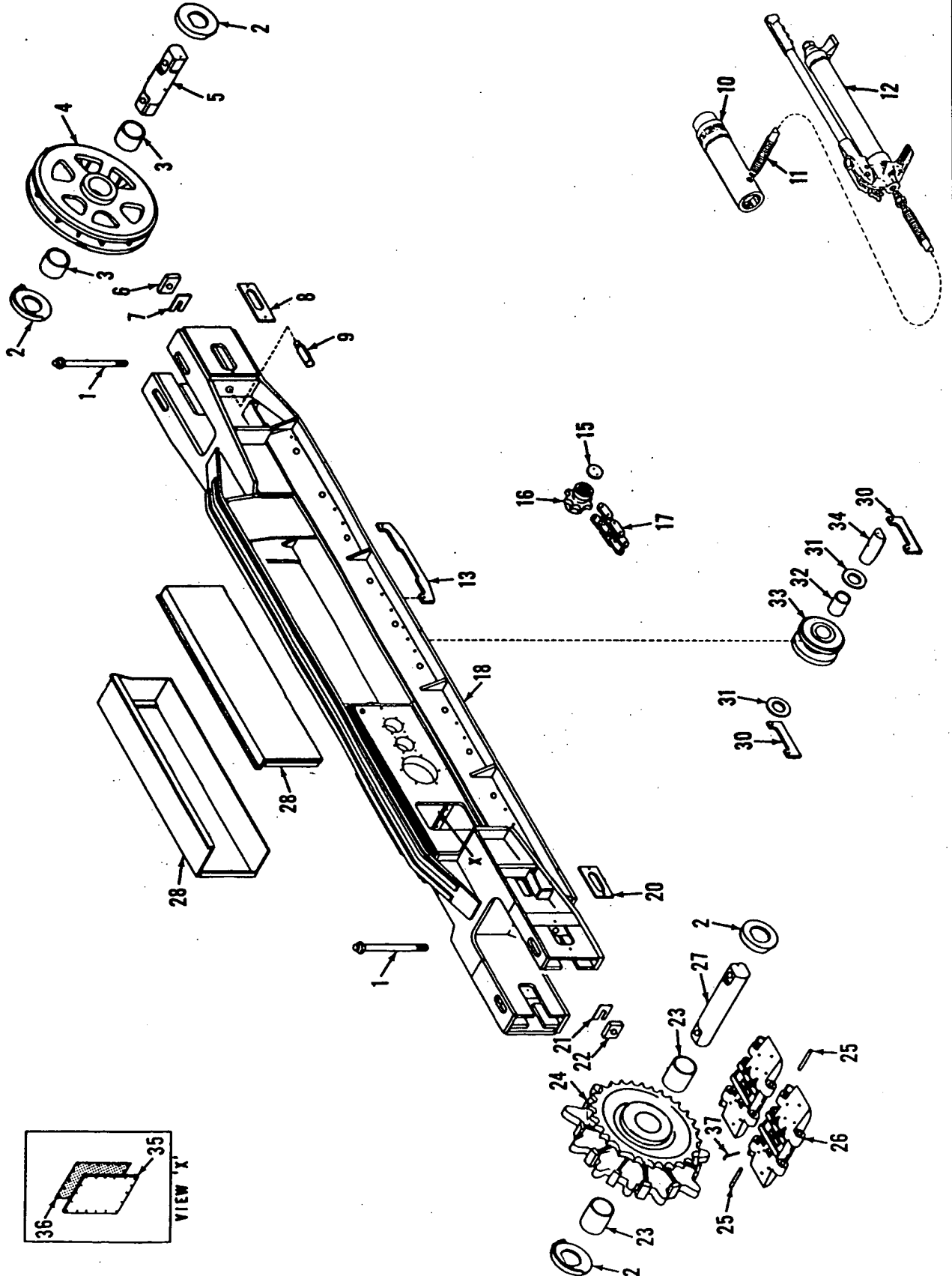
41734
A2

MASTER

MANITOWOC ENGINEERING CO.

A Division of The Manitowoc Company, Inc.

Manitowoc, Wisconsin



43947C1

MATERIAL LIST ON BACK

CRAWLER ASSEMBLY

43947 C1

NOTE 1

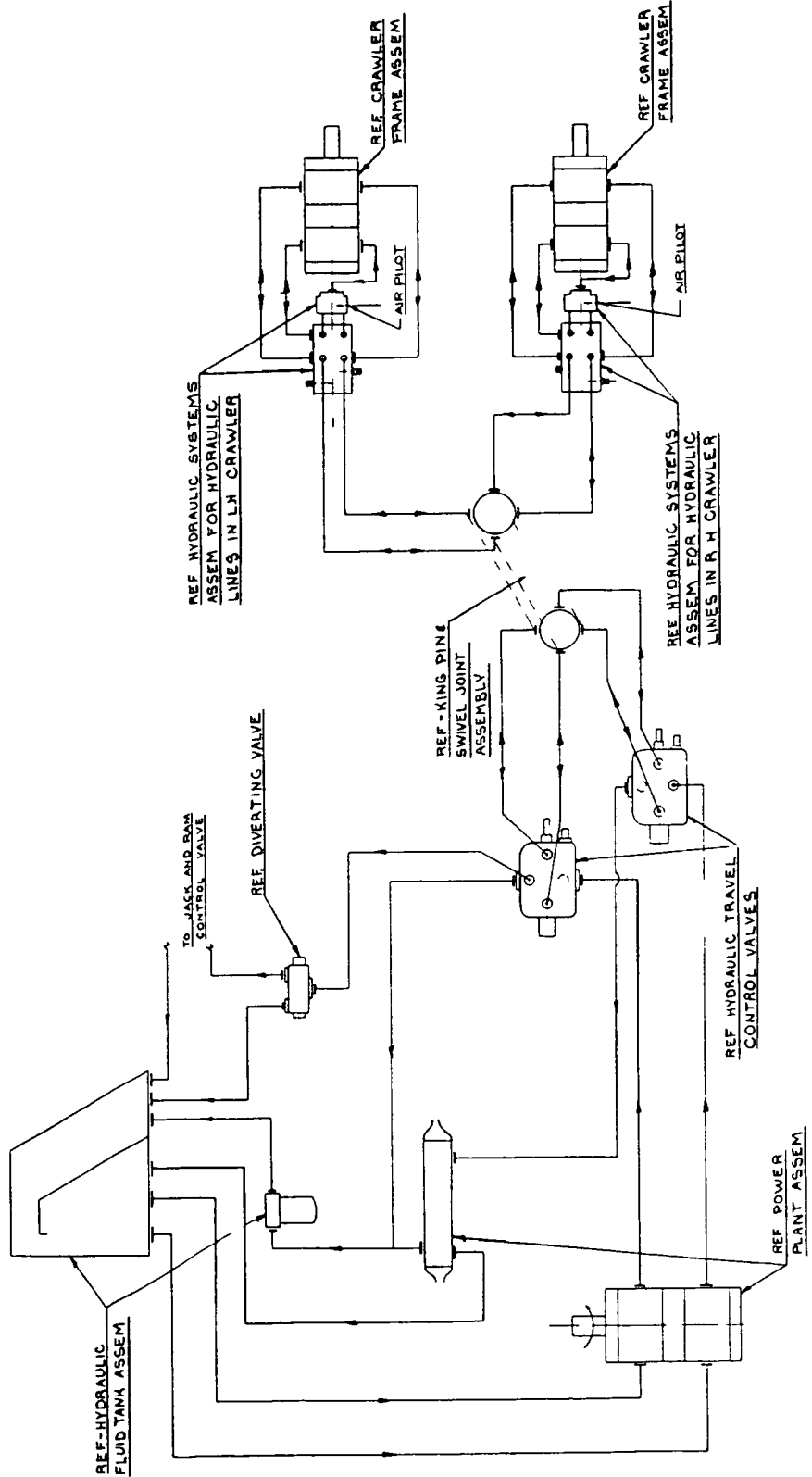
FOR HYDRAULIC LINES USED IN ROTATING BED, SEE HYDRAULIC SYSTEMS ASSEMBLY FOR HYDRAULIC LINES IN ROTATING BED.

NOTICE

THIS DRAWING REMAINS THE PROPERTY OF

MANITOWOC ENGINEERING CO

ALL INFORMATION CONTAINED HEREIN IS CONFIDENTIAL AND IS TO BE KEPT AS SUCH. IT IS NOT TO BE COPIED OR USED, DIRECTLY OR INDIRECTLY, IN ANY MANNER DETRIMENTAL TO OUR INTERESTS.



SUPERSEDES 180134 OF 10 18 68

UNLESS NOTED	MANITOWOC ENGINEERING CO	HYDRAULIC SYSTEMS ASSEM
DATE	DATE	DATE
BY	BY	BY
CHKD	CHKD	CHKD
APP	APP	APP
REV	REV	REV
1	1	1
2	2	2
3	3	3
4	4	4
5	5	5
6	6	6
7	7	7
8	8	8
9	9	9
10	10	10
11	11	11
12	12	12
13	13	13
14	14	14
15	15	15
16	16	16
17	17	17
18	18	18
19	19	19
20	20	20
21	21	21
22	22	22
23	23	23
24	24	24
25	25	25
26	26	26
27	27	27
28	28	28
29	29	29
30	30	30
31	31	31
32	32	32
33	33	33
34	34	34
35	35	35
36	36	36
37	37	37
38	38	38
39	39	39
40	40	40
41	41	41
42	42	42
43	43	43
44	44	44
45	45	45
46	46	46
47	47	47
48	48	48
49	49	49
50	50	50
51	51	51
52	52	52
53	53	53
54	54	54
55	55	55
56	56	56
57	57	57
58	58	58
59	59	59
60	60	60
61	61	61
62	62	62
63	63	63
64	64	64
65	65	65
66	66	66
67	67	67
68	68	68
69	69	69
70	70	70
71	71	71
72	72	72
73	73	73
74	74	74
75	75	75
76	76	76
77	77	77
78	78	78
79	79	79
80	80	80
81	81	81
82	82	82
83	83	83
84	84	84
85	85	85
86	86	86
87	87	87
88	88	88
89	89	89
90	90	90
91	91	91
92	92	92
93	93	93
94	94	94
95	95	95
96	96	96
97	97	97
98	98	98
99	99	99
100	100	100

DO O C

180134

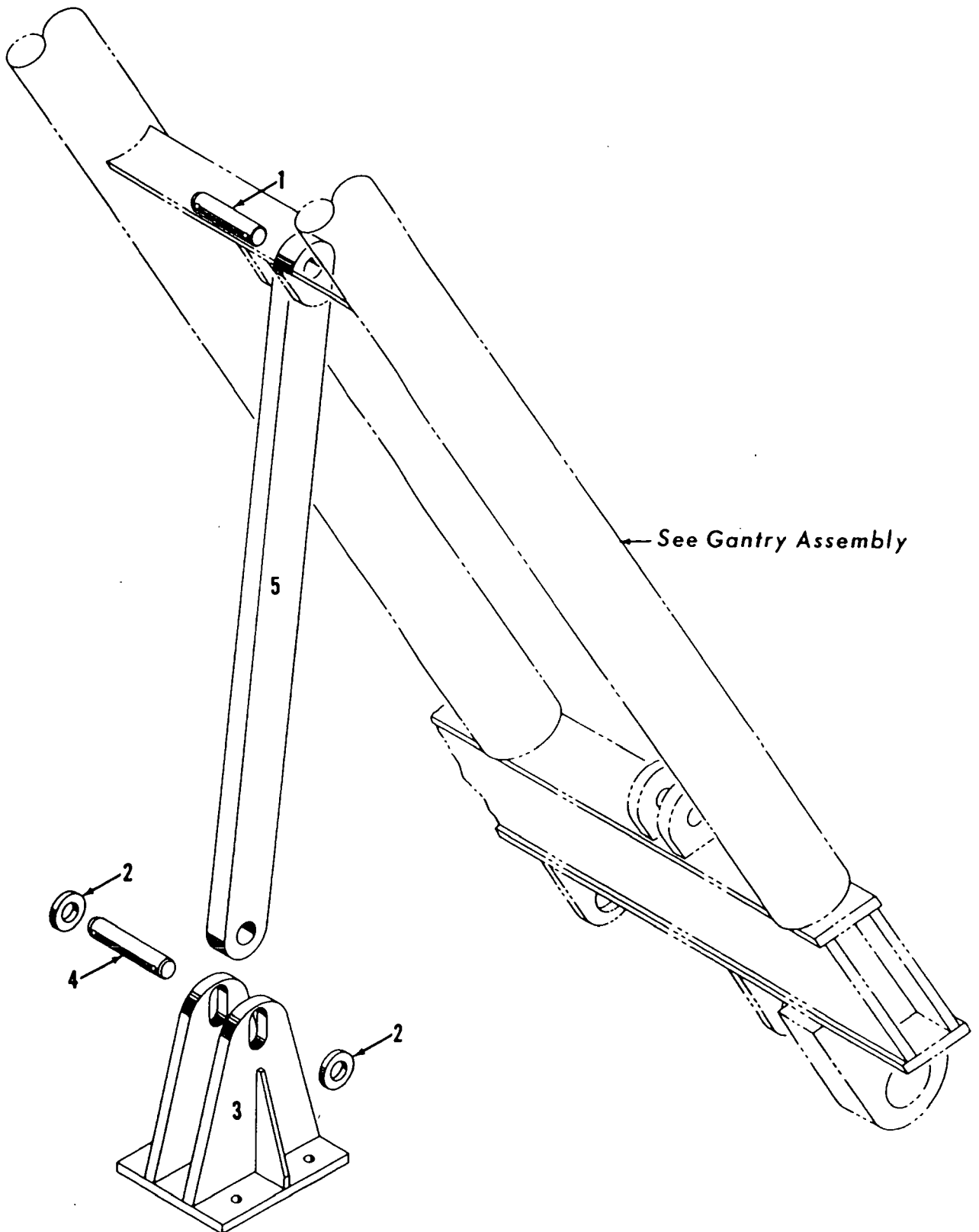
180134

12 2-71
180134

MANITOWOC ENGINEERING CO.

A Division of The Manitowoc Company, Inc.

Manitowoc, Wisconsin



32393-A-1

MATERIAL LIST ON BACK

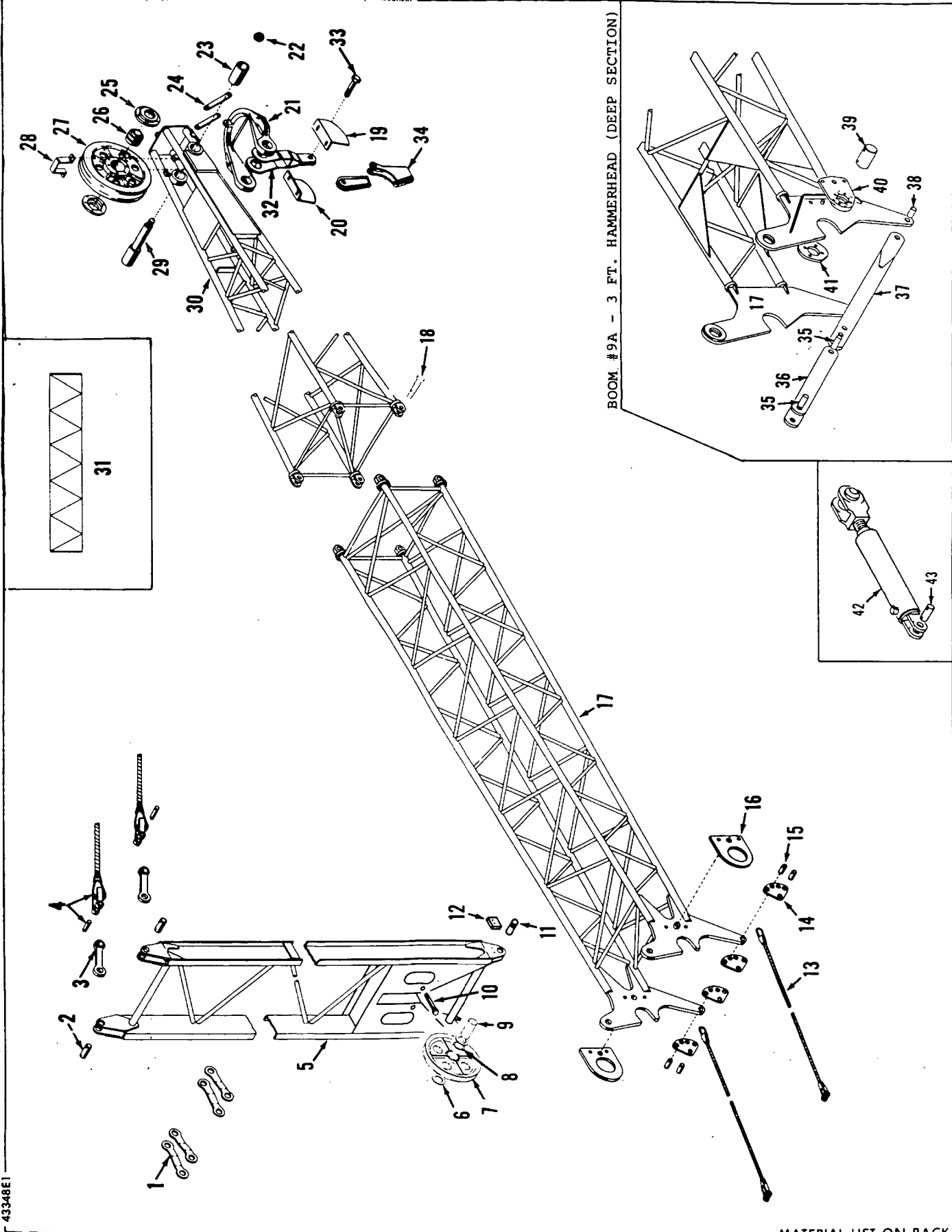
GANTRY HOLD UP ASSEMBLY

MASTER

MANITOWOC ENGINEERING CO.

A Division of The Manitowoc Company, Inc.

Manitowoc, Wisconsin



BOOM #9A - 3 FT. HAMMERHEAD (DEEP SECTION)

43348E1

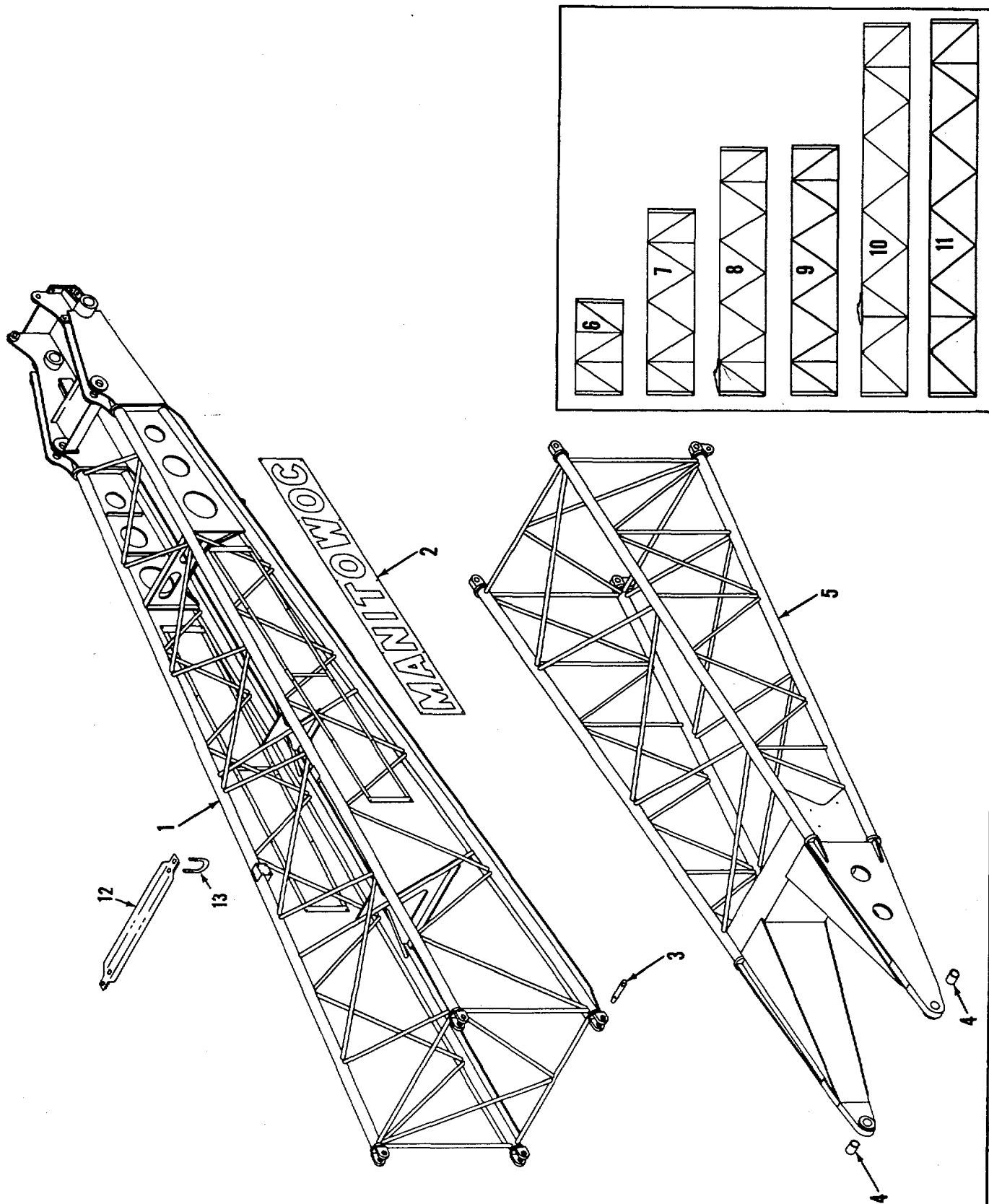
MATERIAL LIST ON BACK

JIB NO. 124

MANITOWOC ENGINEERING CO.

A Division of The Manitowoc Company, Inc.

Manitowoc, Wisconsin

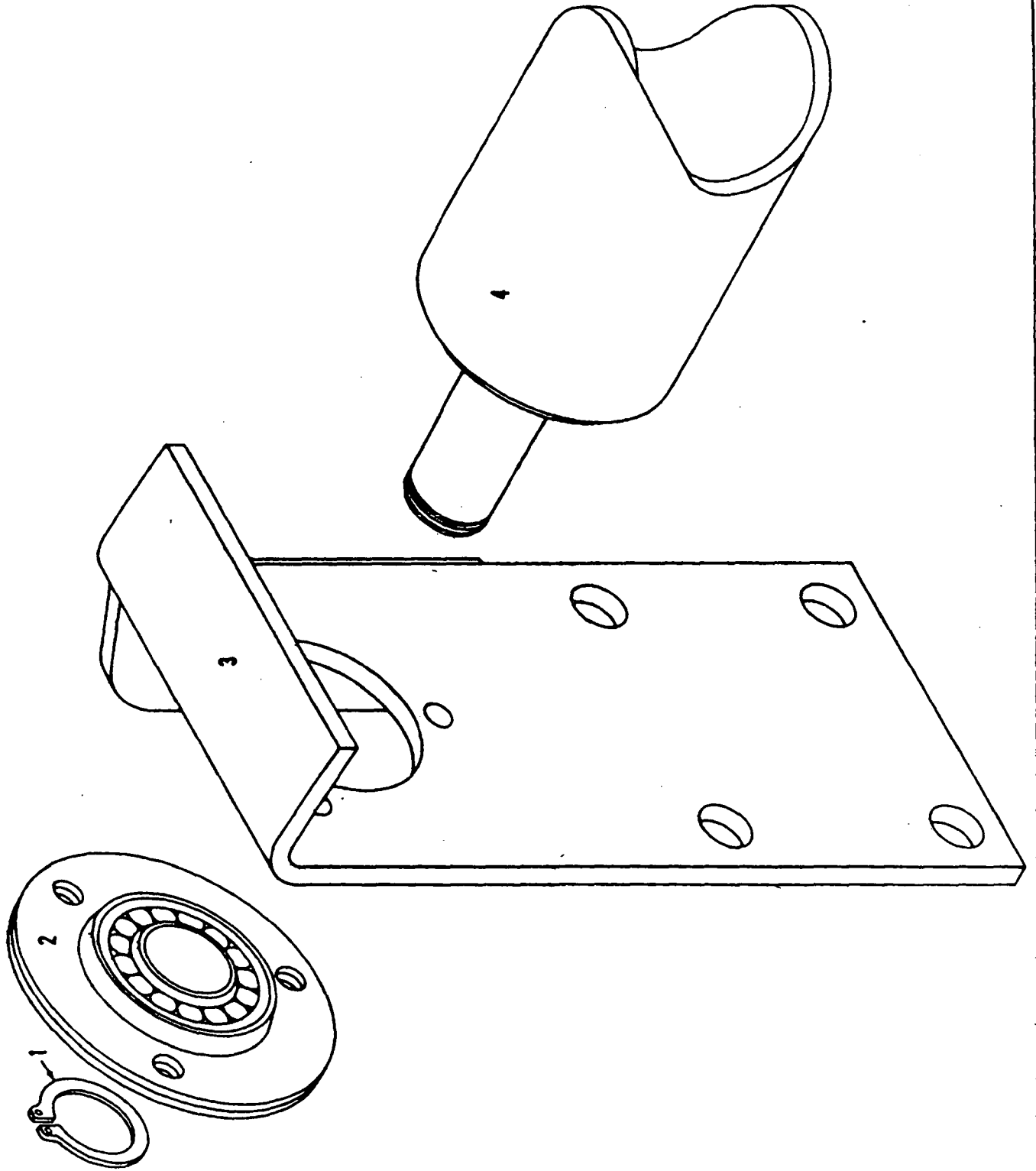


4395783

MATERIAL LIST ON BACK

BOOM ASSEMBLY

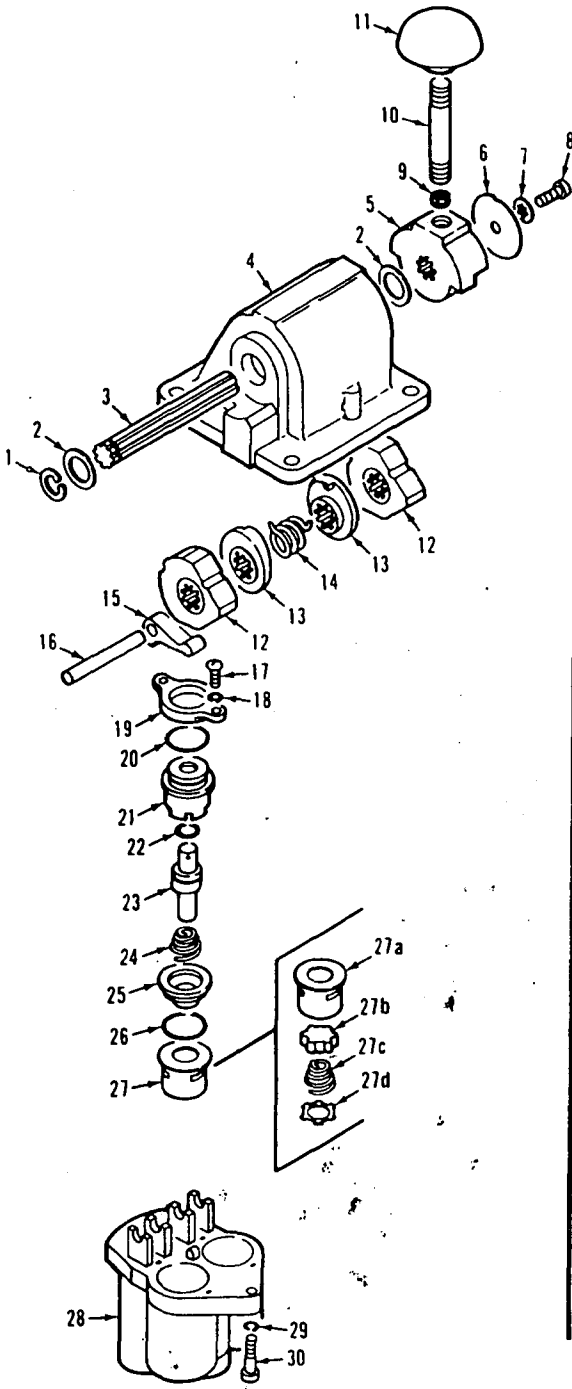
MASTER



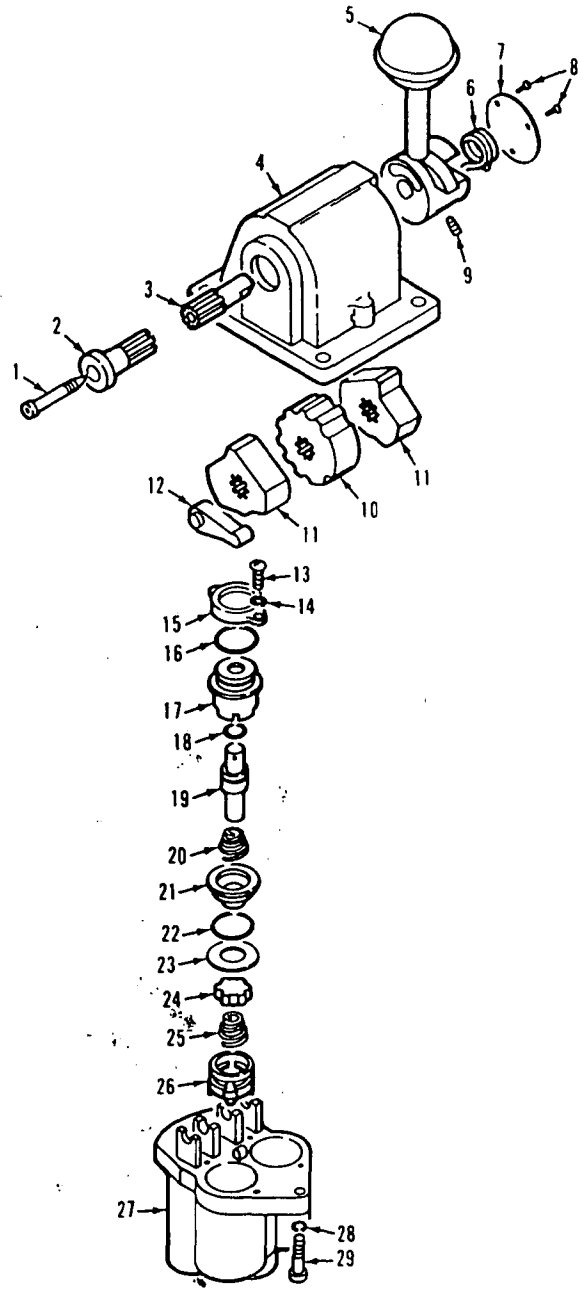
77728A1

MATERIAL LIST ON BACK

CABLE ROLLER GUIDE ASSEMBLY



P59339

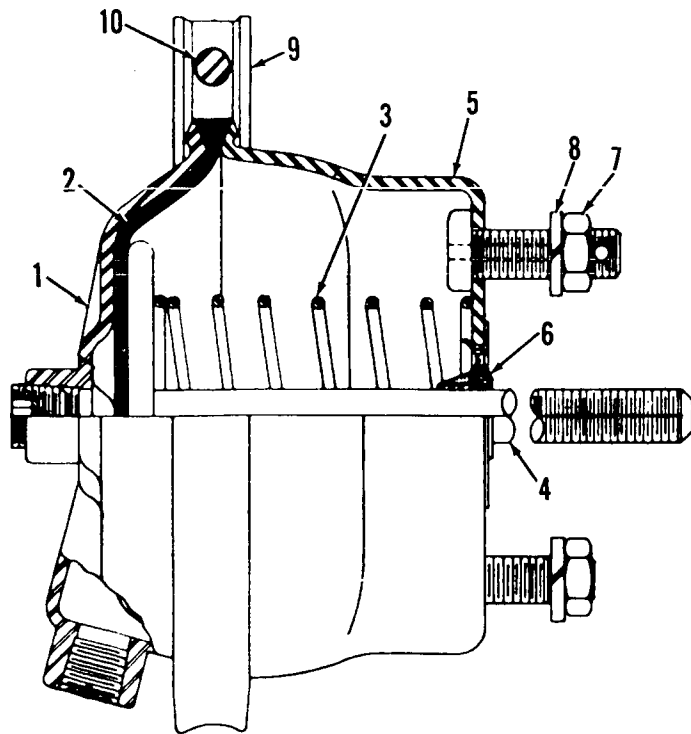
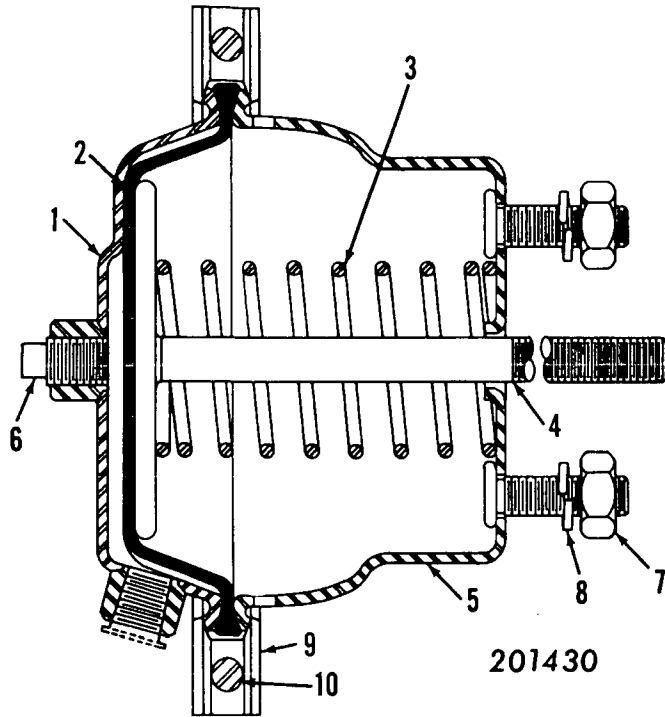


P54425-0310

MANITOWOC ENGINEERING CO.

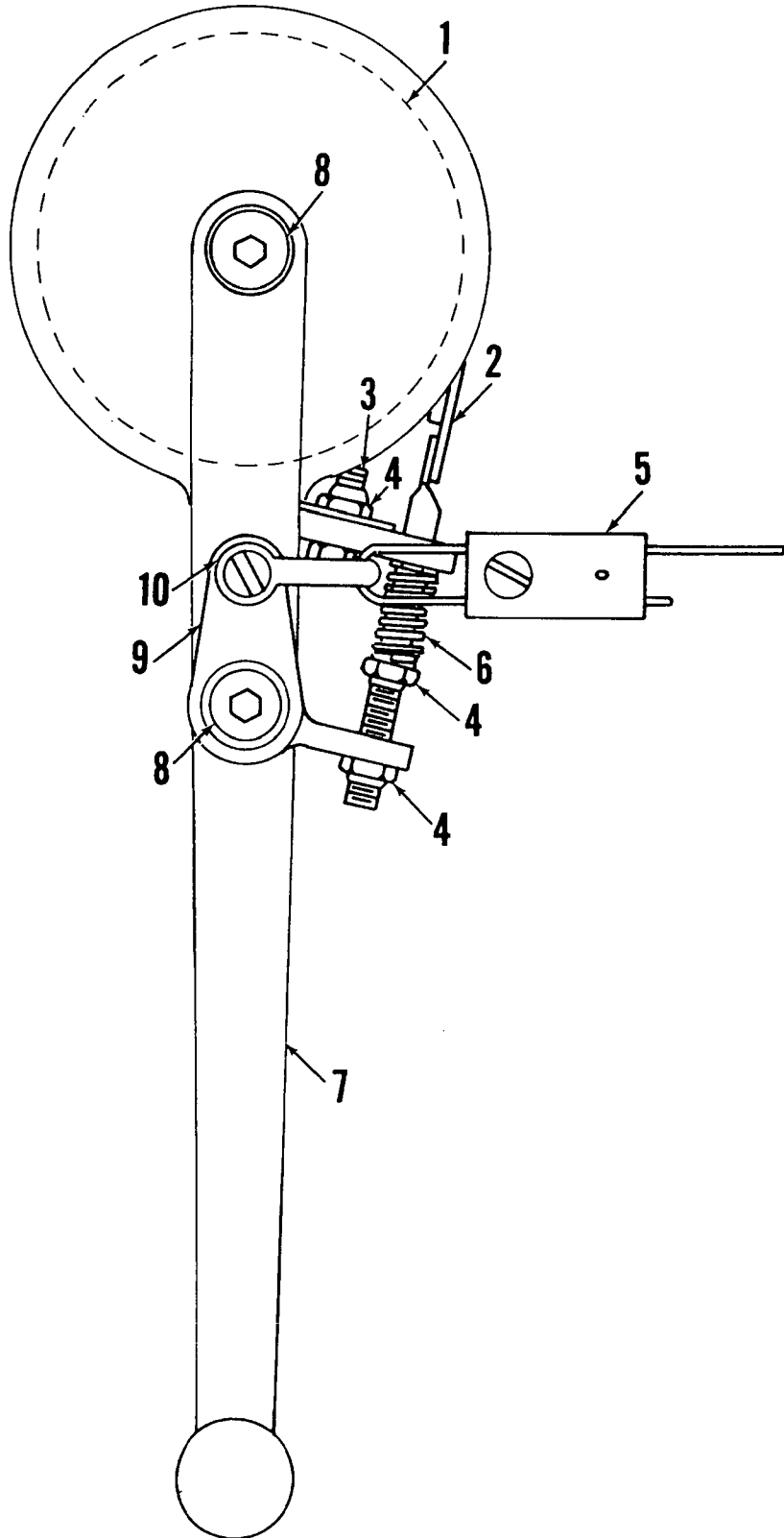
A Division of The Manitowoc Company, Inc.

Manitowoc, Wisconsin



MASTER

0123A1



MASTER

THROTTLE CONTROL ASSEMBLY

O-173

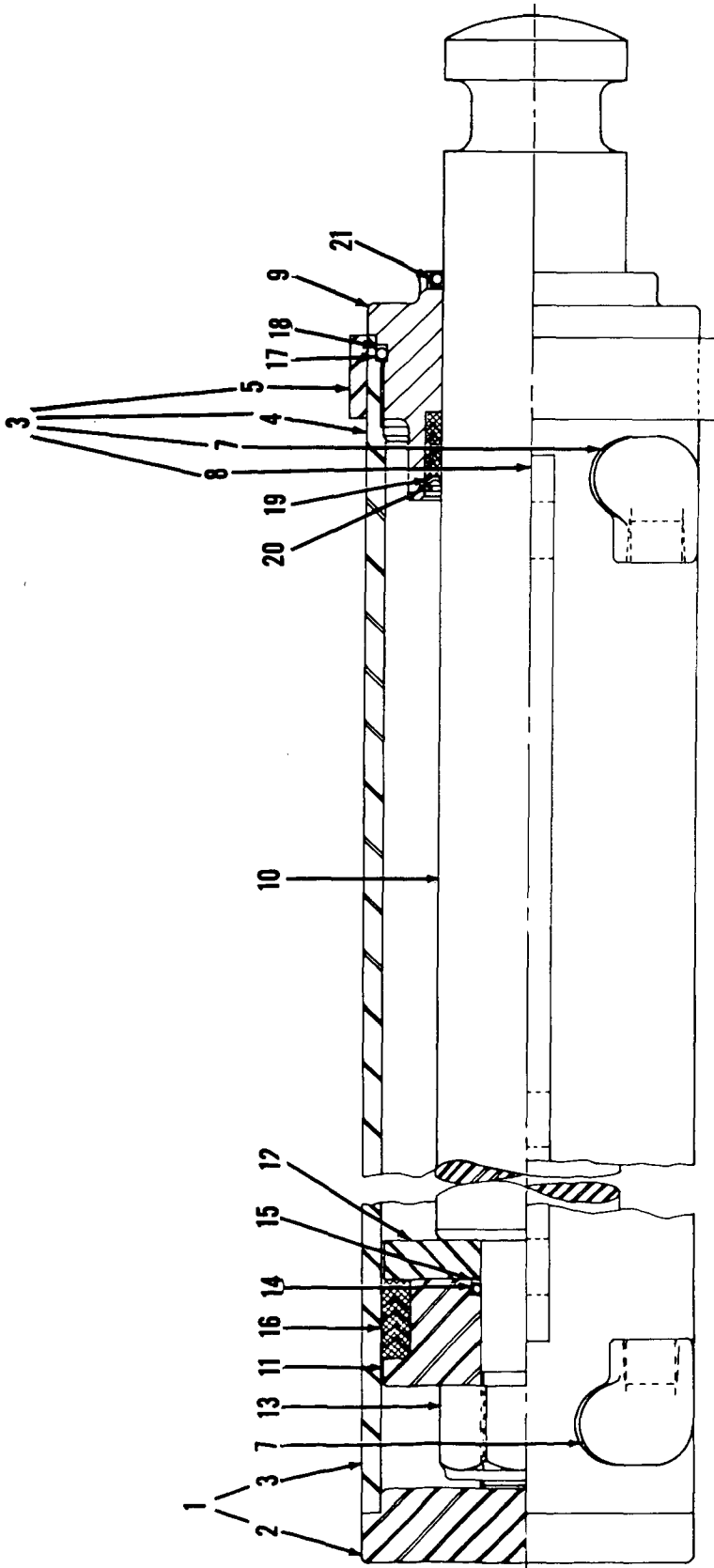
MATERIAL LIST ON BACK

O-173

MANITOWOC ENGINEERING CO.

A Division of The Manitowoc Company, Inc.

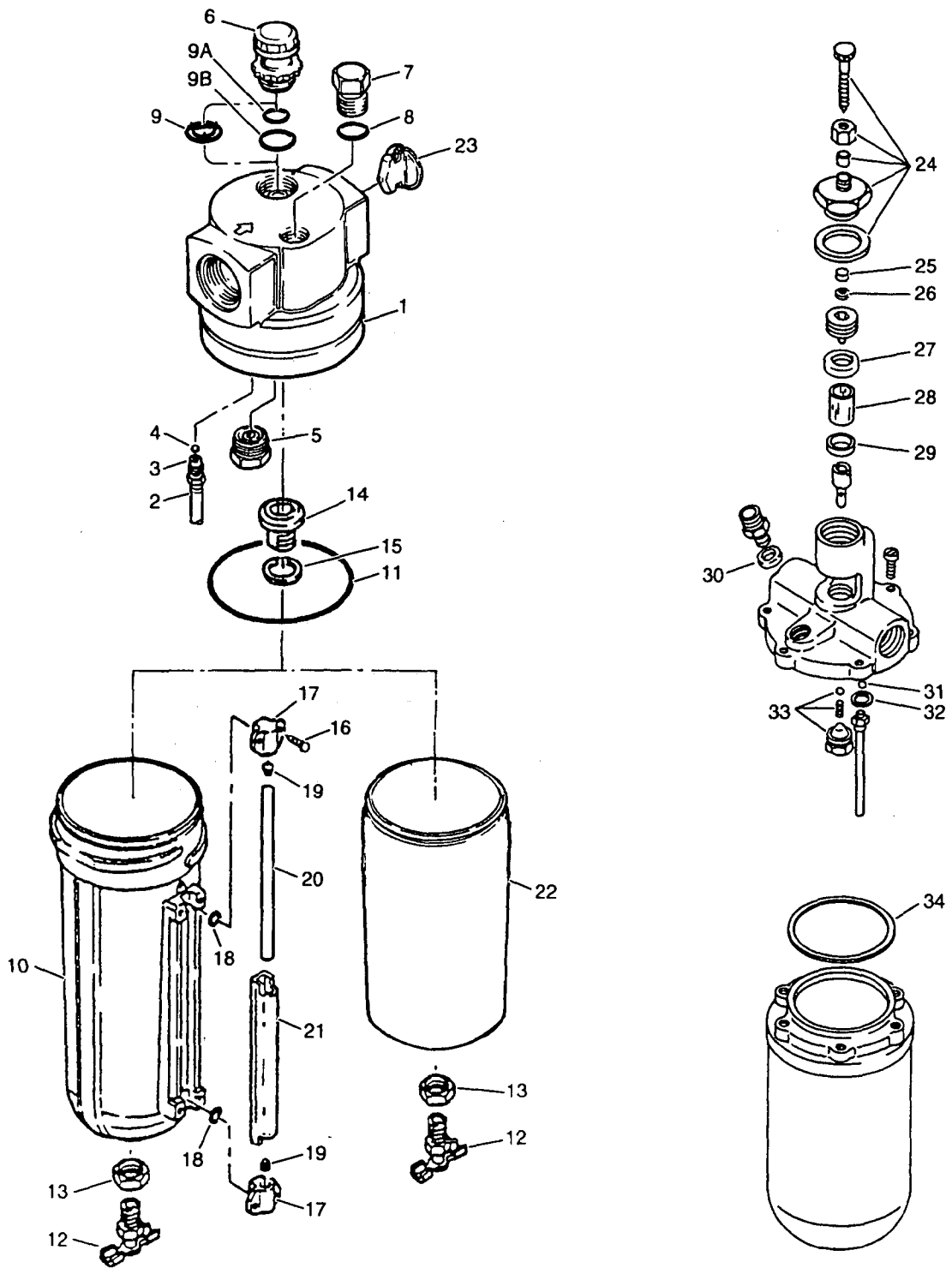
Manitowoc, Wisconsin



42987A4

MATERIAL LIST ON BACK

JACK



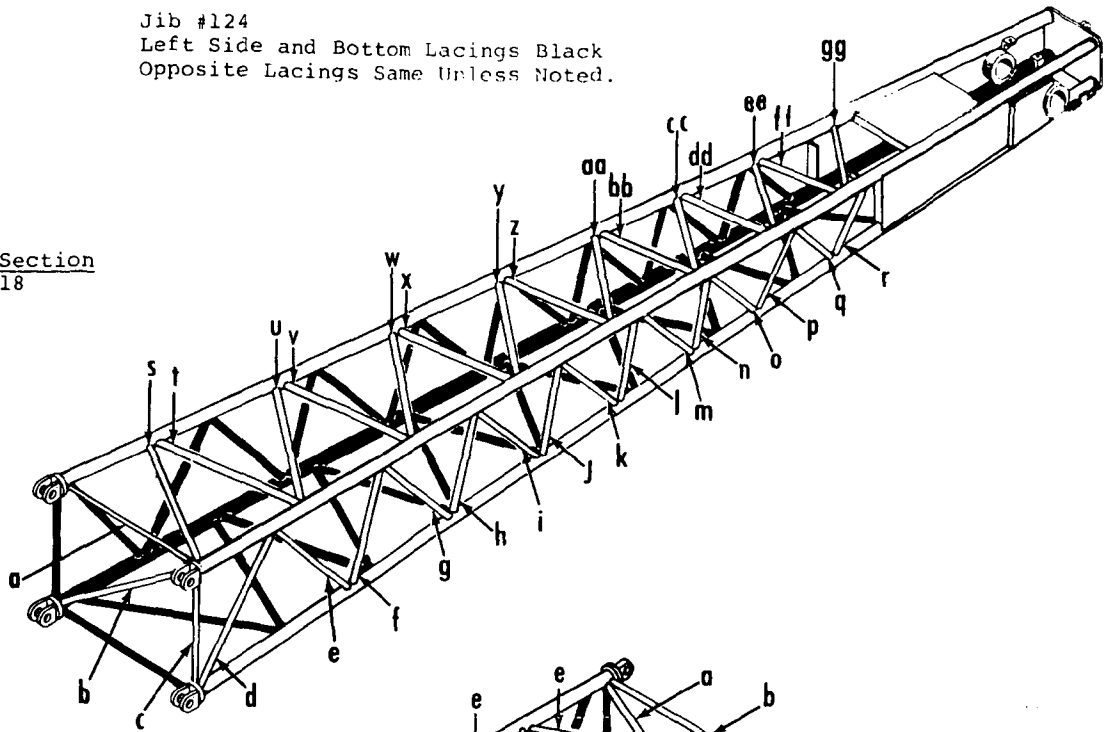
MANITOWOC ENGINEERING CO.

A Division of The Manitowoc Company, Inc.

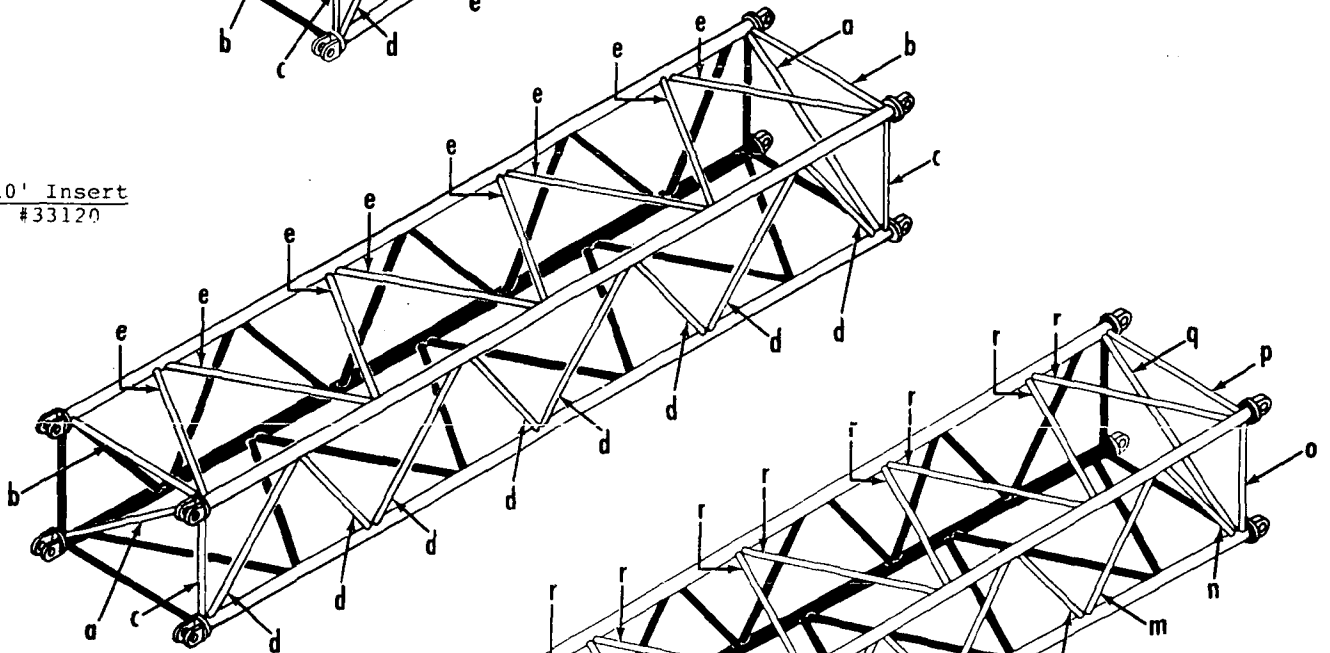
Manitowoc, Wisconsin

Jib #124
Left Side and Bottom Lacings Black
Opposite Lacings Same Unless Noted.

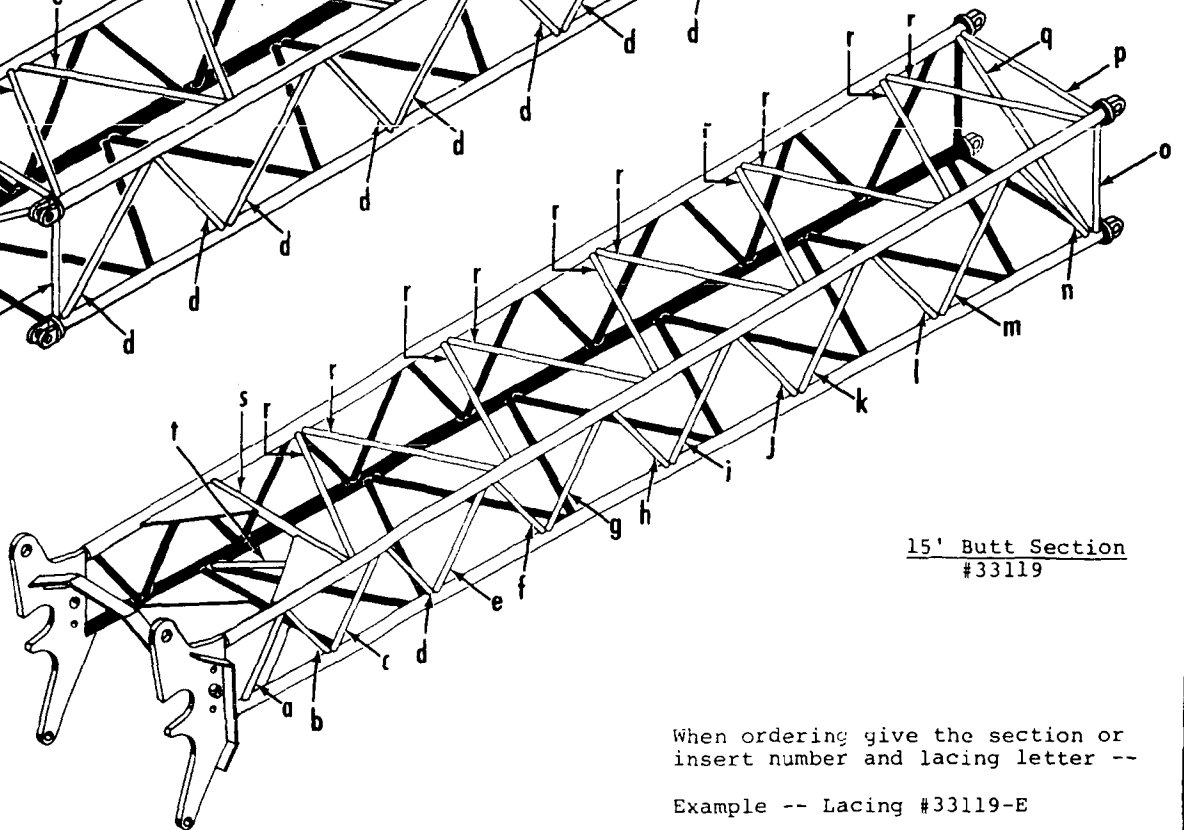
15' Top Section
#33118



10' Insert
#33120



15' Butt Section
#33119



When ordering give the section or insert number and lacing letter --

Example -- Lacing #33119-E

CLICK HERE TO **DOWNLOAD** THE COMPLETE MANUAL

- Thank you very much for reading the preview of the manual.
- You can download the complete manual from: www.heydownloads.com by clicking the link below



- Please note: If there is no response to CLICKING the link, please download this PDF first and then click on it.

CLICK HERE TO **DOWNLOAD** THE COMPLETE MANUAL