

Manitowoc

TRADITIONAL CRANE PARTS MANUAL

This manual has been prepared for and is considered part of

2900WC

Model

29616

Serial Number

GROUP A = Rotating Structure (Includes rotating bed, operator's cab, cases, fuel tanks, transfer pump, counterweights, guards, platforms, catwalks, machinery enclosure, horn)

GROUP B = Upperworks Machinery (Includes front, rear, and auxiliary drums, boom hoist, swing and drive shafts, hand levers, foot pedals, control linkage, rotation indicators, upperworks hydraulic components, hydraulic piping, hydraulic oil reservoir, lubrication pump and piping, blowers)

GROUP C = Air Components & Electrical (Includes control console, air piping, electric wiring, auxiliary light plant and lighting, TV monitoring, compressor and air tank)

GROUP D = Power Components - Upperworks (Includes engine or motor, radiator, auxiliary power plant, take off converters and piping, controls, VICON power lowering, torque limiter, hydraulic pumps and piping, fuel piping, battery box)

GROUP E = Lower Structure & Control (Includes carbody, crawlers, travel shafts and control, steering travel locks, hydraulic travel, travel power outriggers, carrier, pedestal, lowerworks hydraulic piping, RINGER components, barge mounting and machinery, spud drums)

GROUP F = Attachments (Includes booms, jibs, masts, tower, wire rope guides, equalizer, gantry, fairlead, timber guards, boom angle indicator, block-up limit, tag line, hook block, weight ball, upper and lower boom point, wind speed indicator, crowd and retract dipper sticks, dippers,)

O-NUMBER SECTION = (Includes lacing drawings and purchased component parts drawings referenced in sections A through F)

This manual is arranged in sections as listed above. Sections A through F are arranged by group numerical order with an index after each section tab. An alphabetical index for groups A Through F combined is located after the O-number Section. The O-number section is arranged in numerical order by O-number. Following this cover page are the Basic Specifications, Warranty Information, Tool List (if applicable) Outline Dimensions, Weights, and Dealer Listing.

CLICK HERE TO **DOWNLOAD** THE COMPLETE MANUAL

- Thank you very much for reading the preview of the manual.
- You can download the complete manual from: www.heydownloads.com by clicking the link below

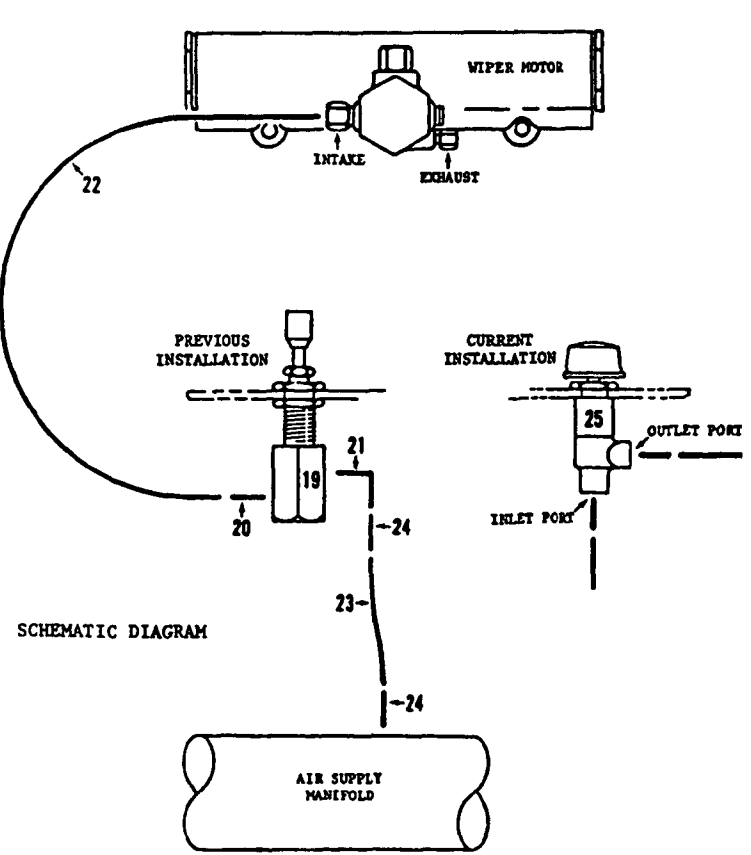
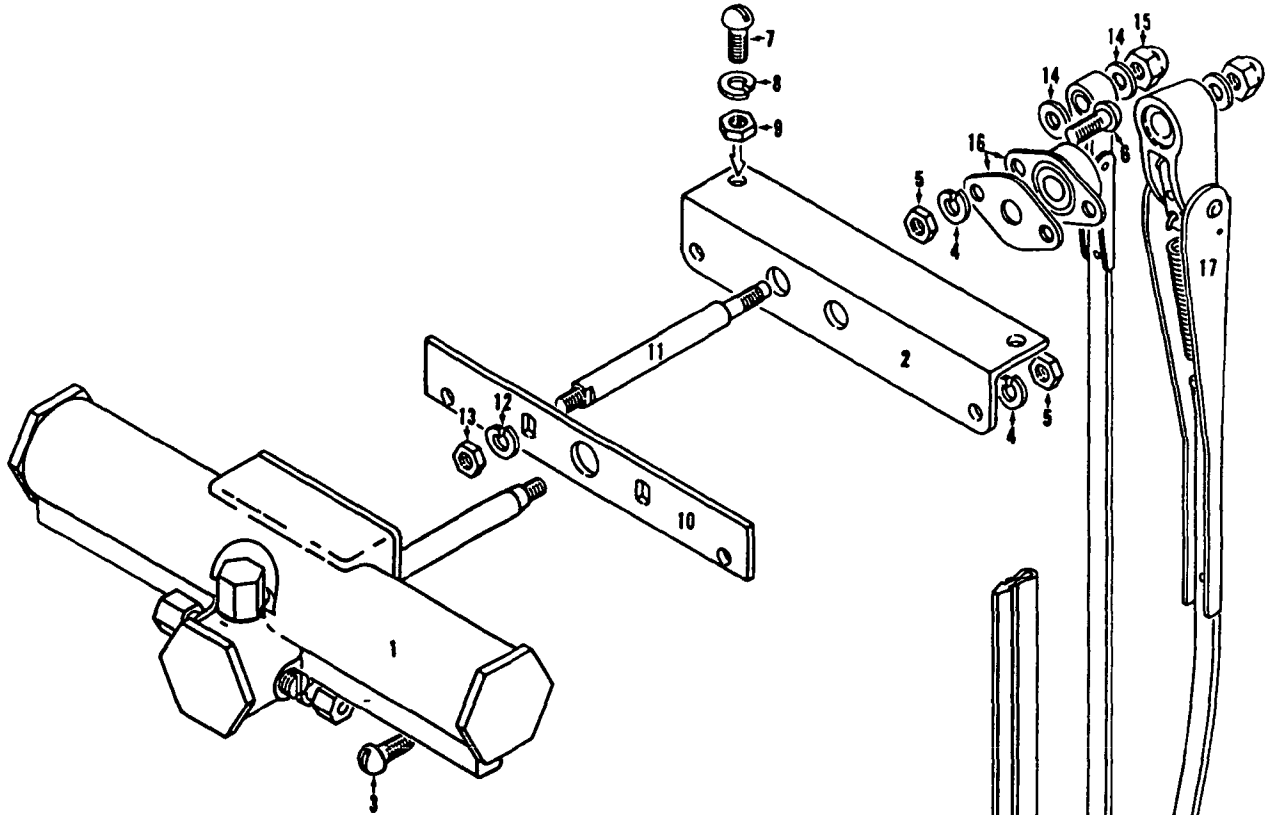


- Please note: If there is no response to CLICKING the link, please download this PDF first and then click on it.

CLICK HERE TO **DOWNLOAD** THE COMPLETE MANUAL

GROUP A - Rotating Structure

MASTER



41438C1

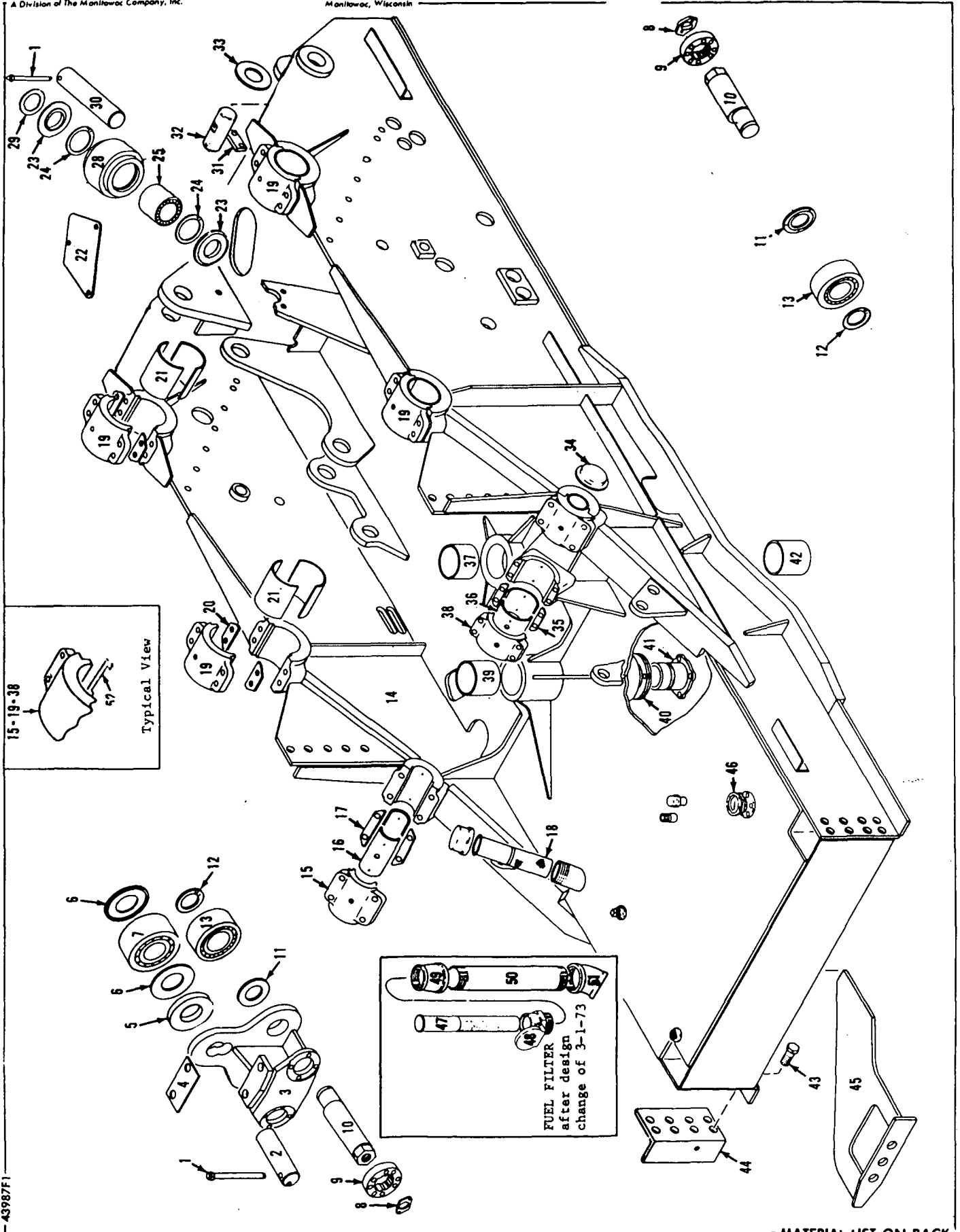
MATERIAL LIST ON BACK

WINDSHIELD WIPER

MANITOWOC ENGINEERING CO.

A Division of The Manitowoc Company, Inc.

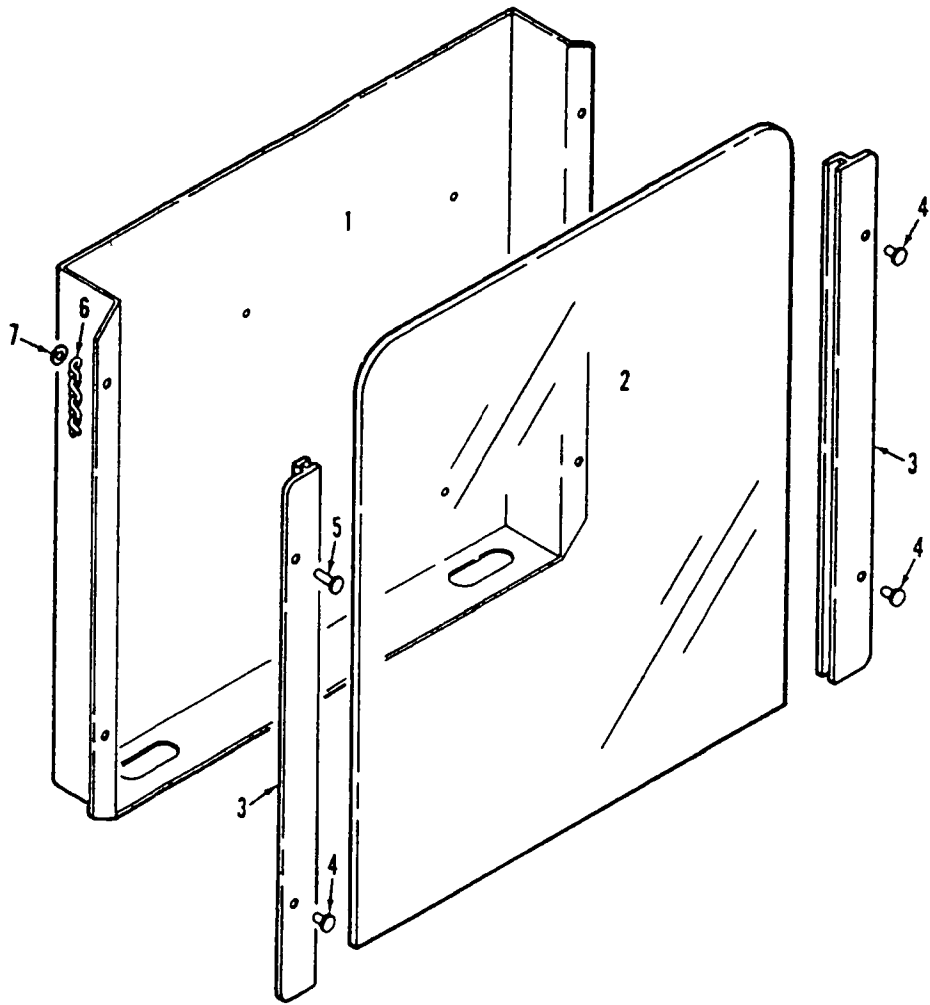
Manitowoc, Wisconsin



43987F1

MATERIAL LIST ON BACK

ROTATING BED



93994A1

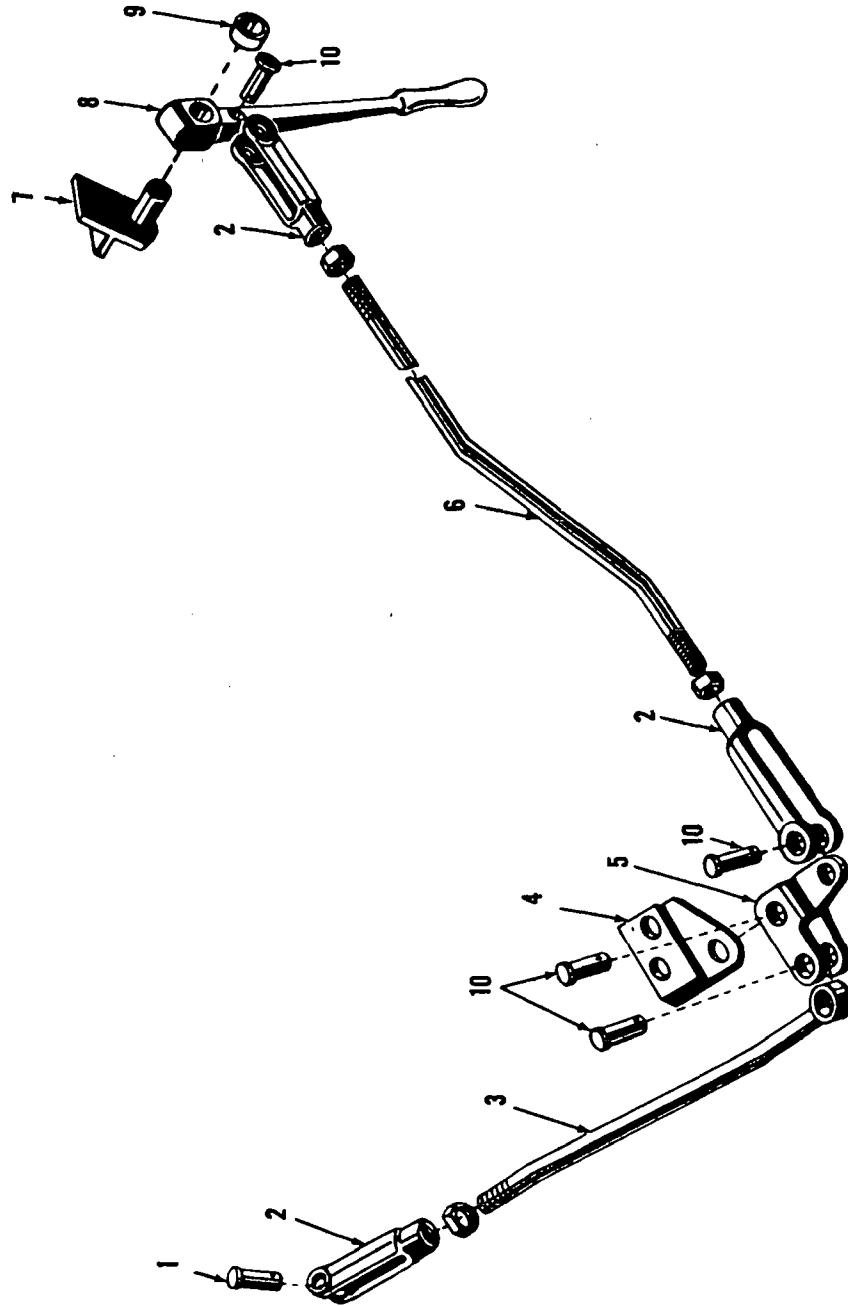
MATERIAL LIST ON BACK

CHART HOLDER

MANITOWOC ENGINEERING CO.

A Division of The Manitowoc Company, Inc.

Manitowoc, Wisconsin



MASTER

31770C1

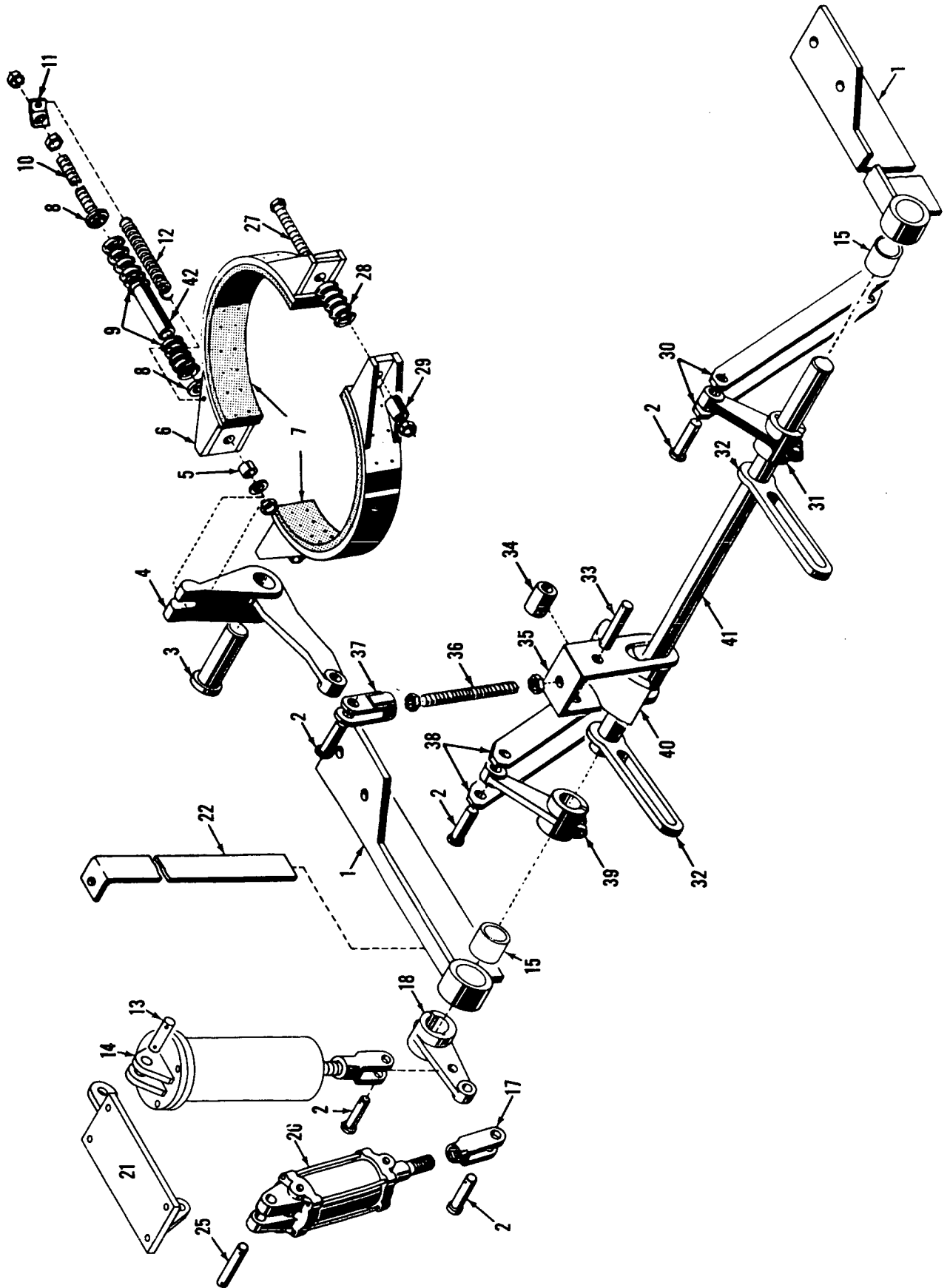
MATERIAL LIST ON BACK

IND ROOM HOIST ALLY DDAVE

MANITOWOC ENGINEERING CO.

A Division of The Manitowoc Company, Inc.

Manitowoc, Wisconsin

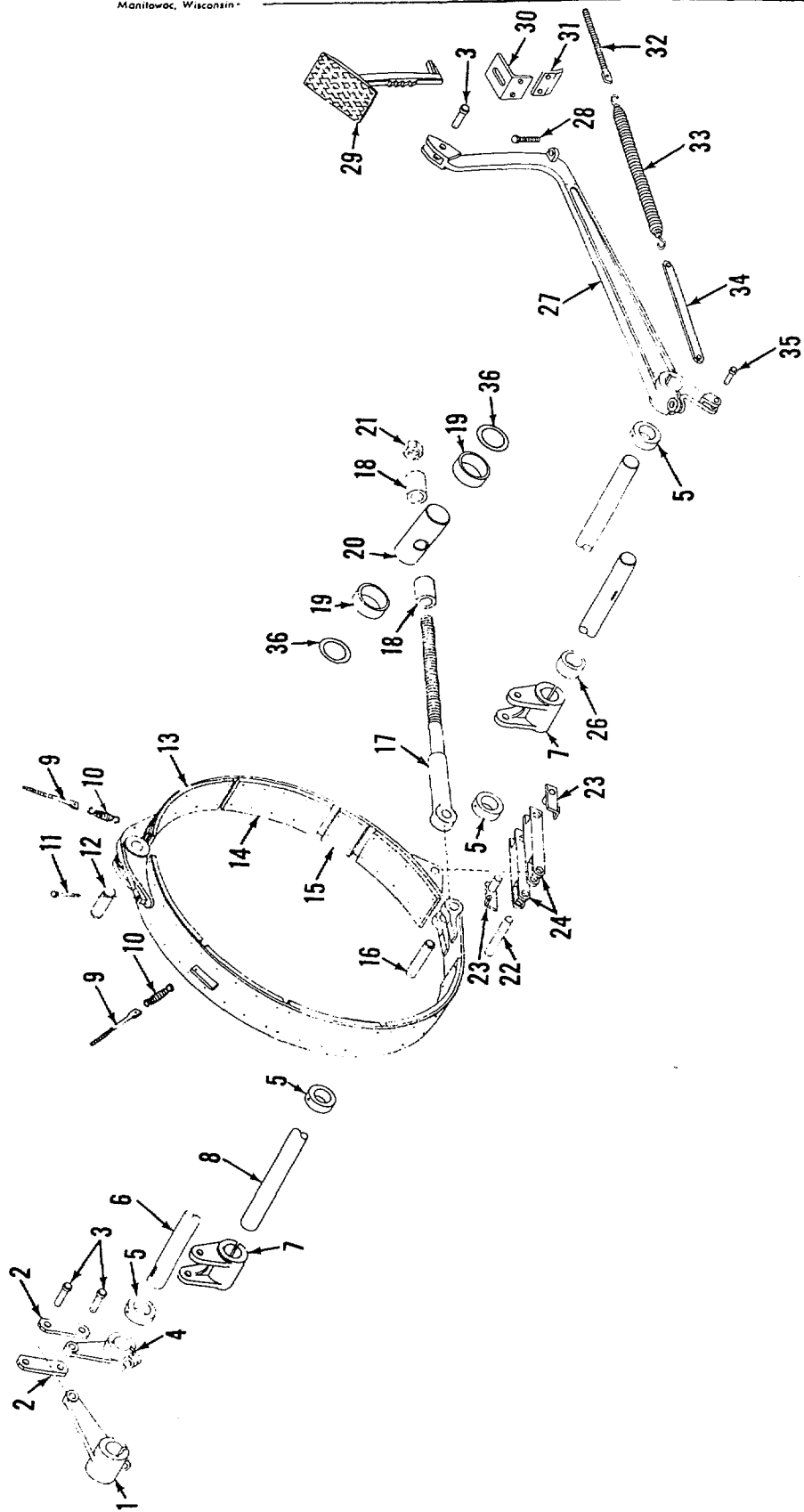


42476D1

MATERIAL LIST ON BACK

MASTER

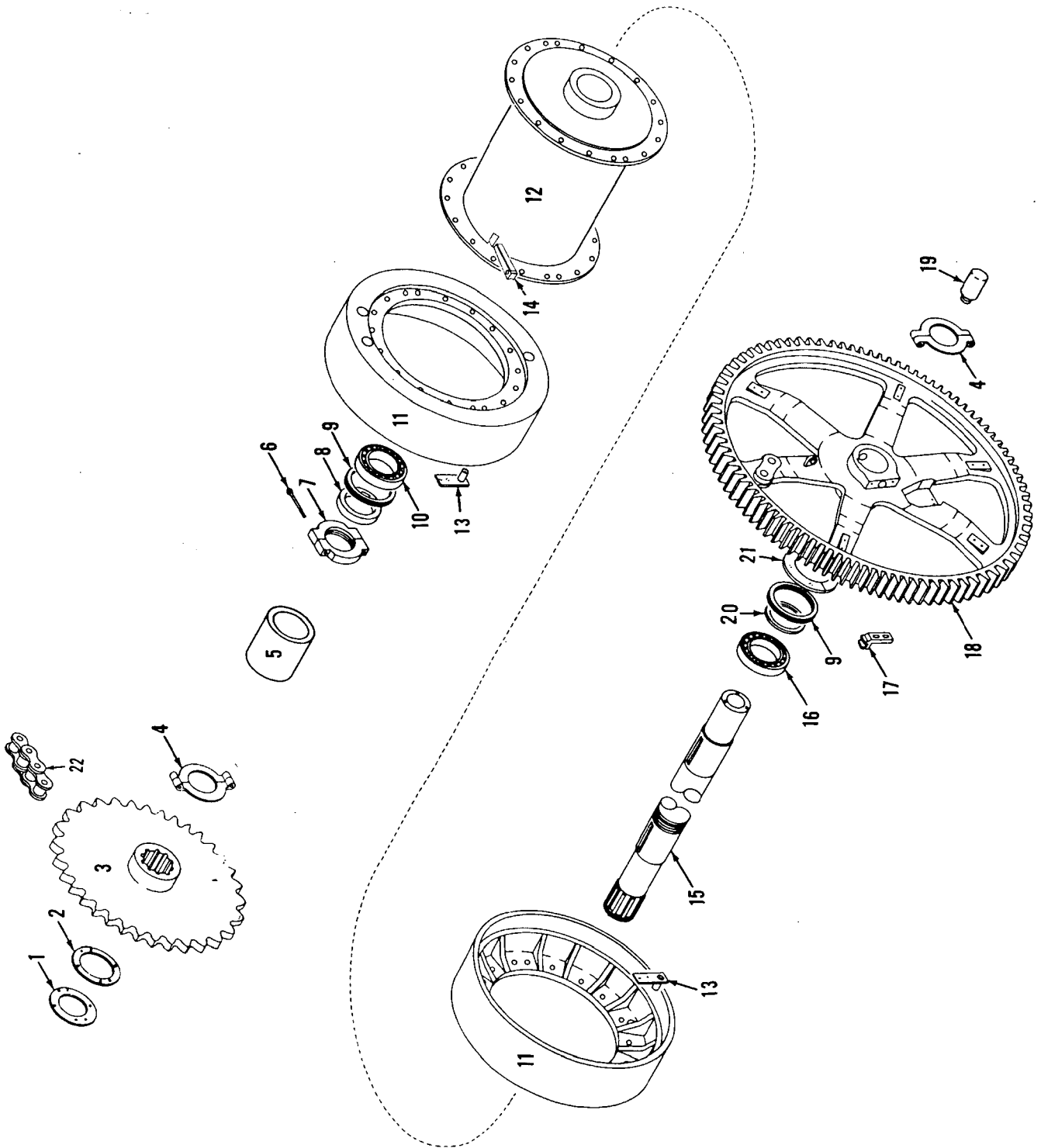
IND. BOOM HOIST CONTROL



43488B1

MATERIAL LIST ON BACK

DRUM BRAKE ASSEMBLY

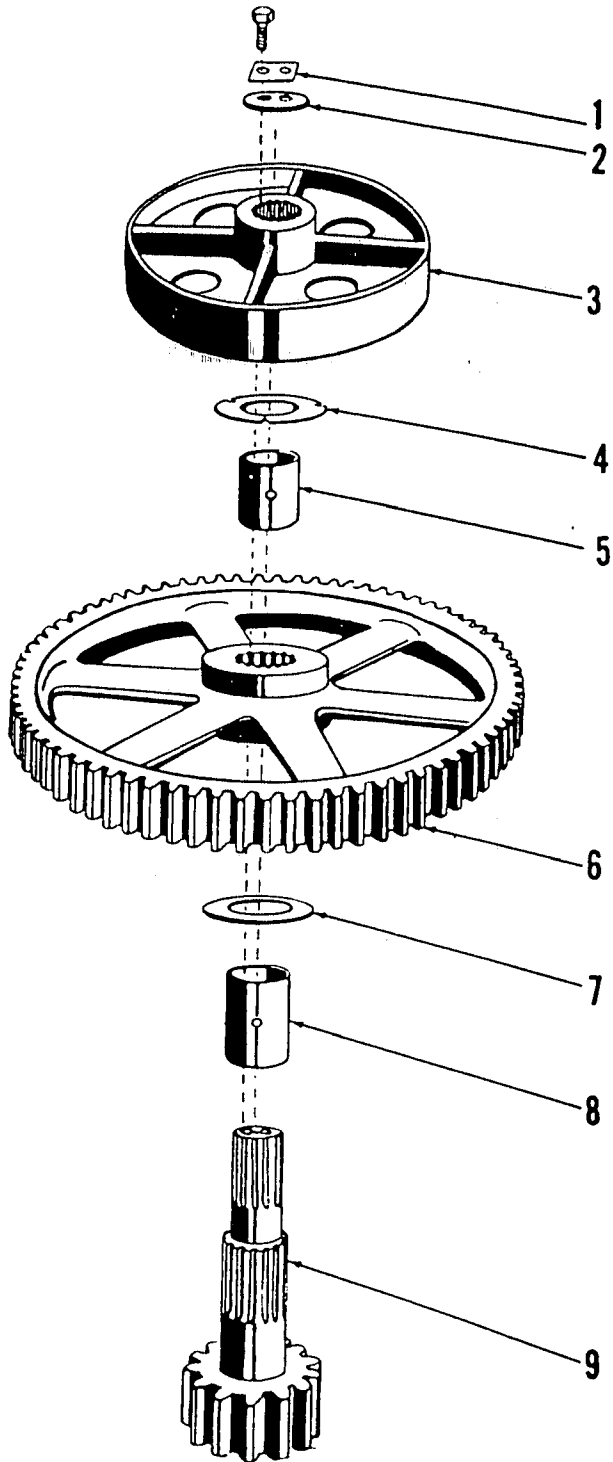


MASTER

MANITOWOC ENGINEERING CO.

A Division of The Manitowoc Company, Inc.

Manitowoc, Wisconsin

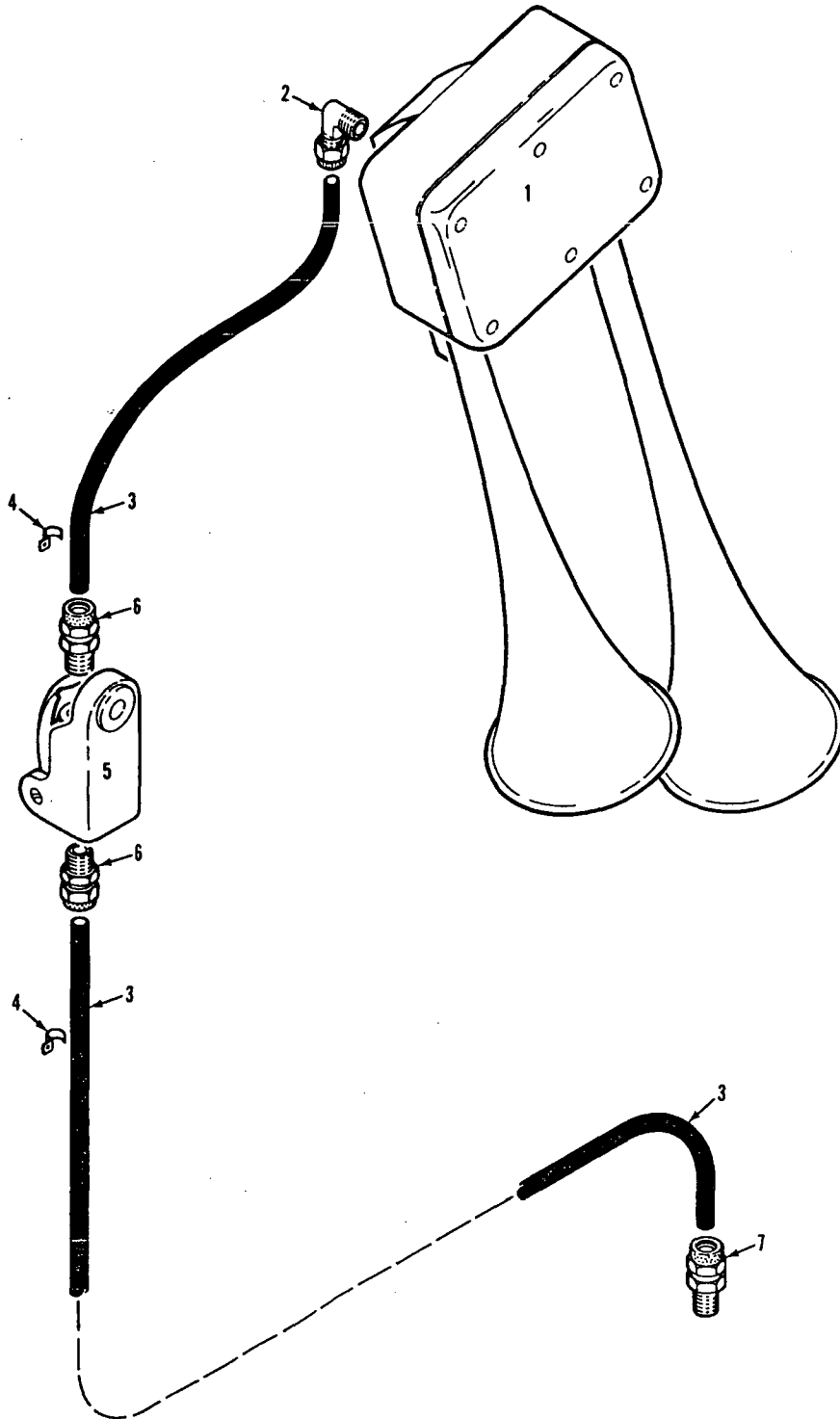


ILLUST. No. 23087..A-1

MATERIAL LIST ON BACK

SWING SHAFT

GROUP C - Air Components & Electrical



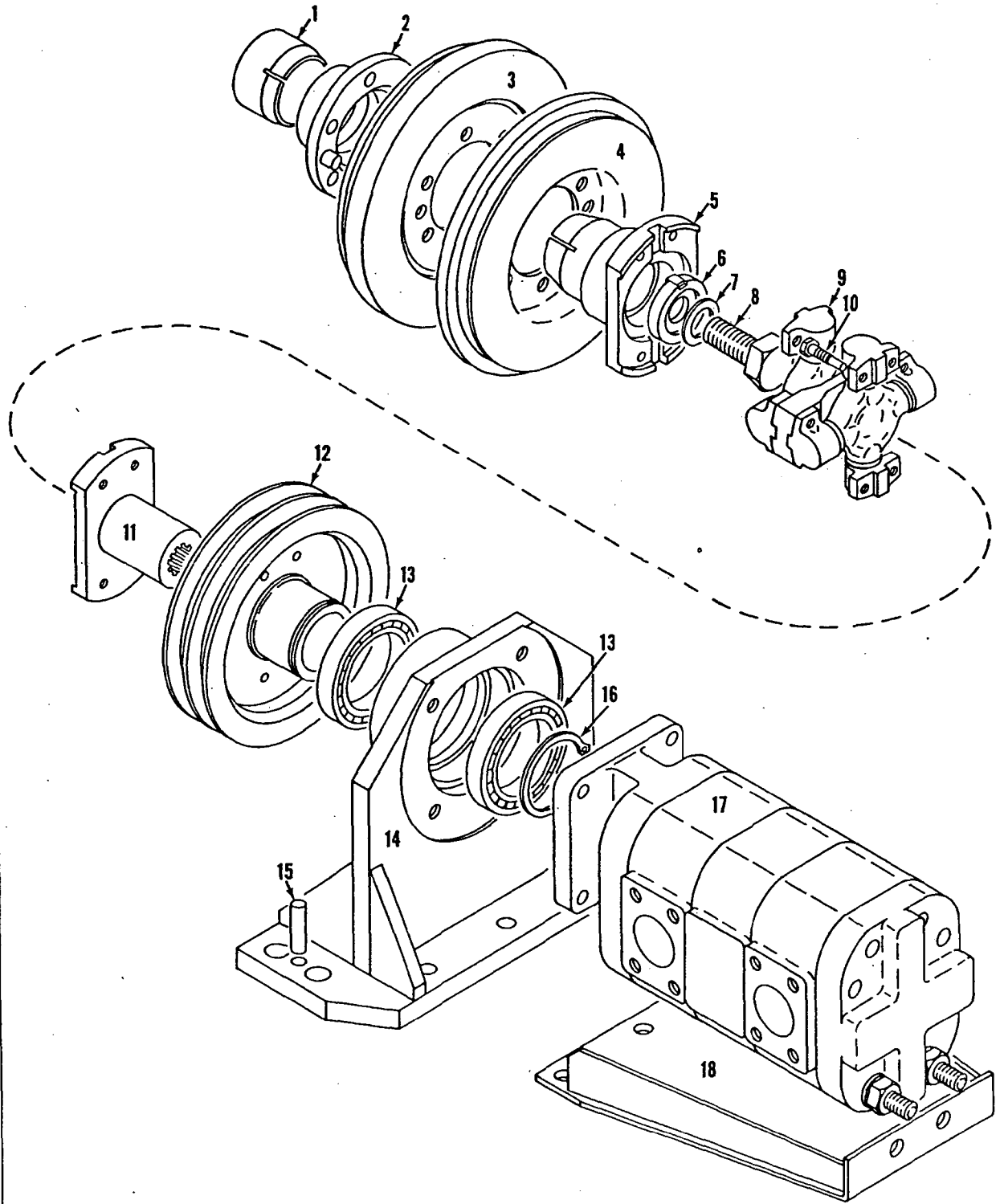
MASTER

78327A1

MANITOWOC ENGINEERING CO.

A Division of The Manitowoc Company, Inc.

Manitowoc, Wisconsin

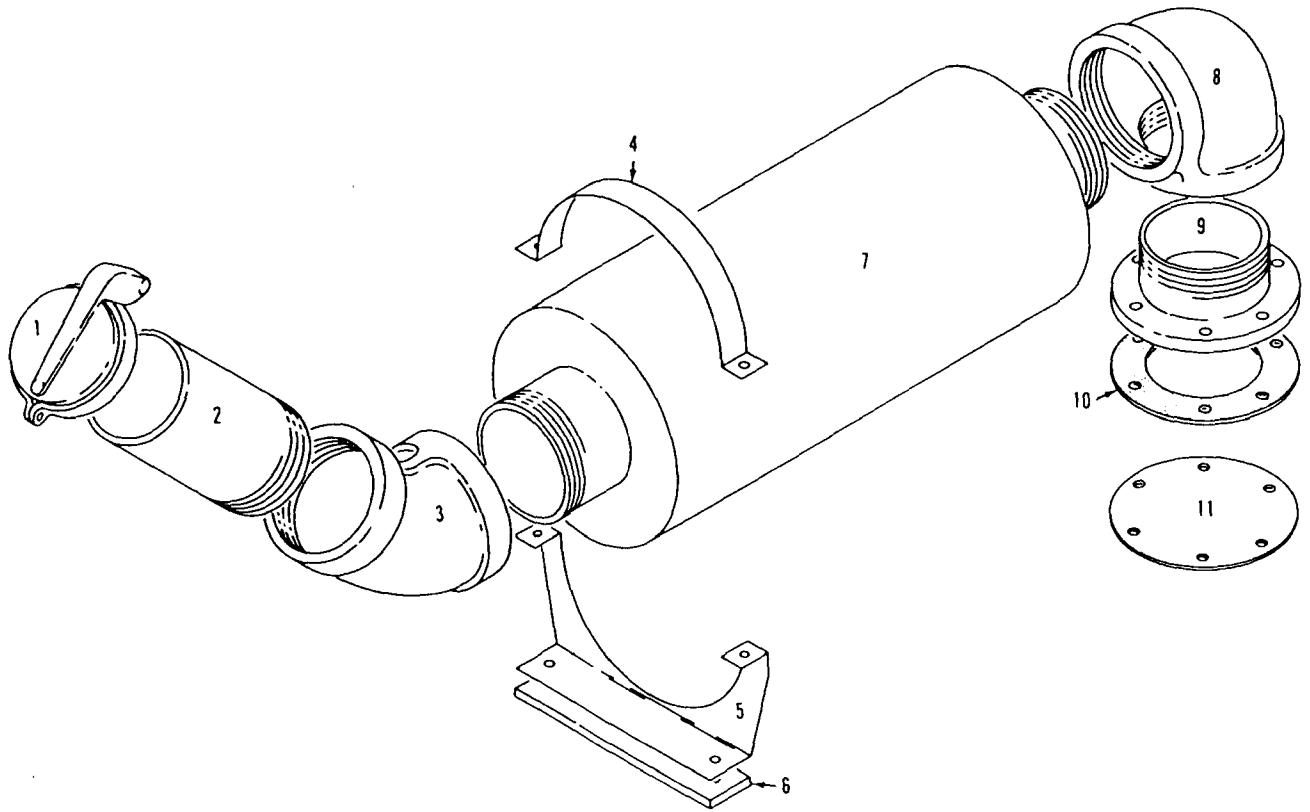


49388A1

MATERIAL LIST ON BACK

HYDRAULIC PUMP DRIVE

444444



9229981

MATERIAL LIST ON BACK

ENGINE EXHAUST

CLICK HERE TO **DOWNLOAD** THE COMPLETE MANUAL

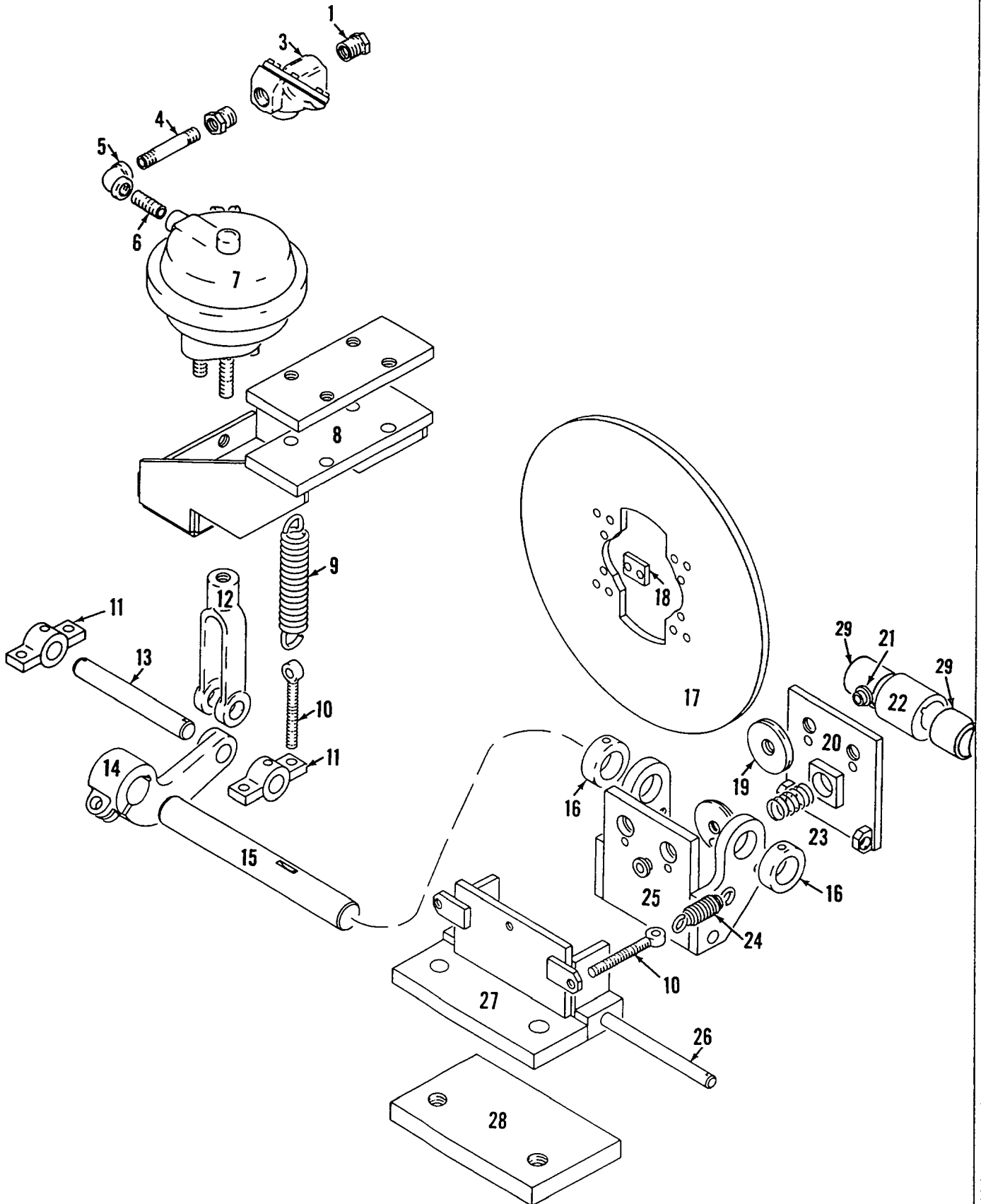
- Thank you very much for reading the preview of the manual.
- You can download the complete manual from: www.heydownloads.com by clicking the link below



- Please note: If there is no response to CLICKING the link, please download this PDF first and then click on it.

CLICK HERE TO **DOWNLOAD** THE COMPLETE MANUAL

GROUP E - Lower Structure & Control



4321181

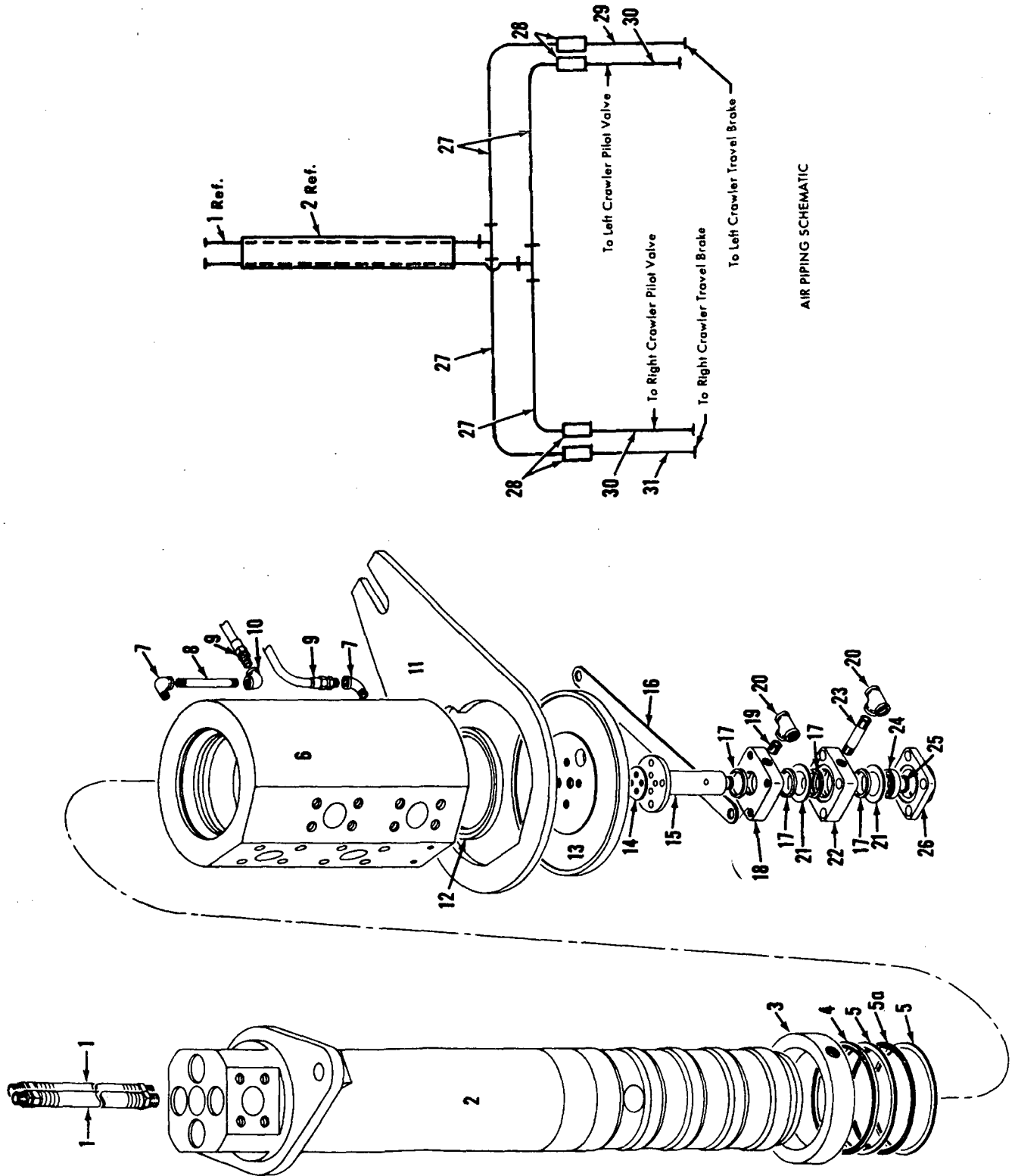
MATERIAL LIST ON BACK

TRAVEL BRAKE

MANITOWOC ENGINEERING CO.

A Division of The Manitowoc Company, Inc.

Manitowoc, Wisconsin



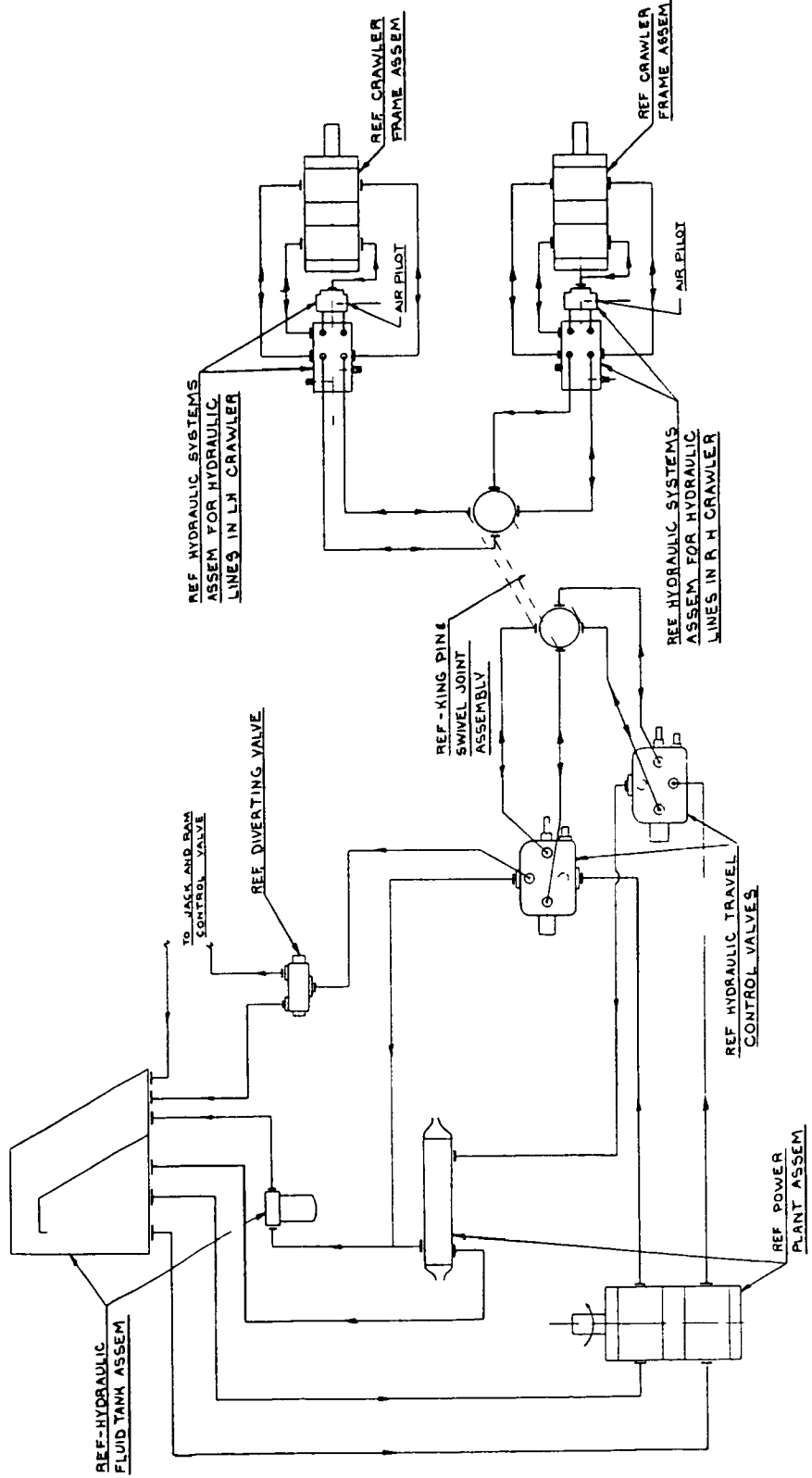
AIR PIPING SCHEMATIC

NOTE 1

FOR HYDRAULIC LINES USED IN ROTATING BED, SEE HYDRAULIC SYSTEMS ASSEMBLY FOR HYDRAULIC LINES IN ROTATING BED.

NOTICE

THIS DRAWING REMAINS THE PROPERTY OF MANITOWOC ENGINEERING CO. ALL INFORMATION CONTAINED HEREIN IS CONFIDENTIAL AND IS TO BE KEPT AS SUCH. IT IS NOT TO BE COPIED OR USED, DIRECTLY OR INDIRECTLY, IN ANY MANNER DETRIMENTAL TO OUR INTERESTS.



SUPERSEDES 180134 OF 10 18 68

Table with columns for UNLESS NOTED, MANITOWOC ENGINEERING CO, HYDRAULIC SYSTEMS ASSEM, SCHEMATIC OF HYDROSTATIC CRAWLER DRIVE, MODEL 2900 WC, and drawing number 180134.

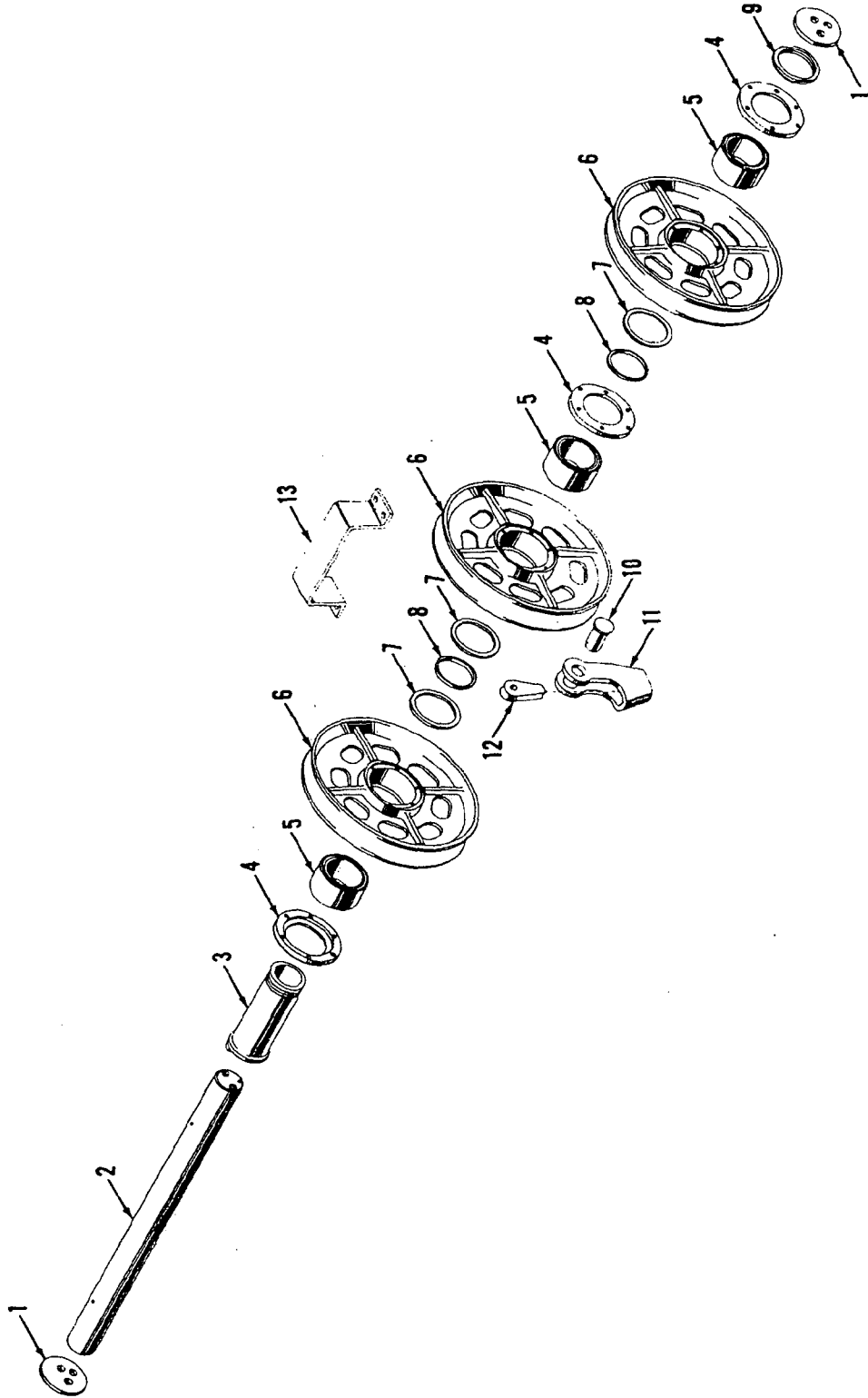
180134

MANITOWOC ENGINEERING CO.

A Division of The Manitowoc Company, Inc.

Manitowoc, Wisconsin

MASTER



ILLUST. No. 32218-A-1

MATERIAL LIST ON BACK

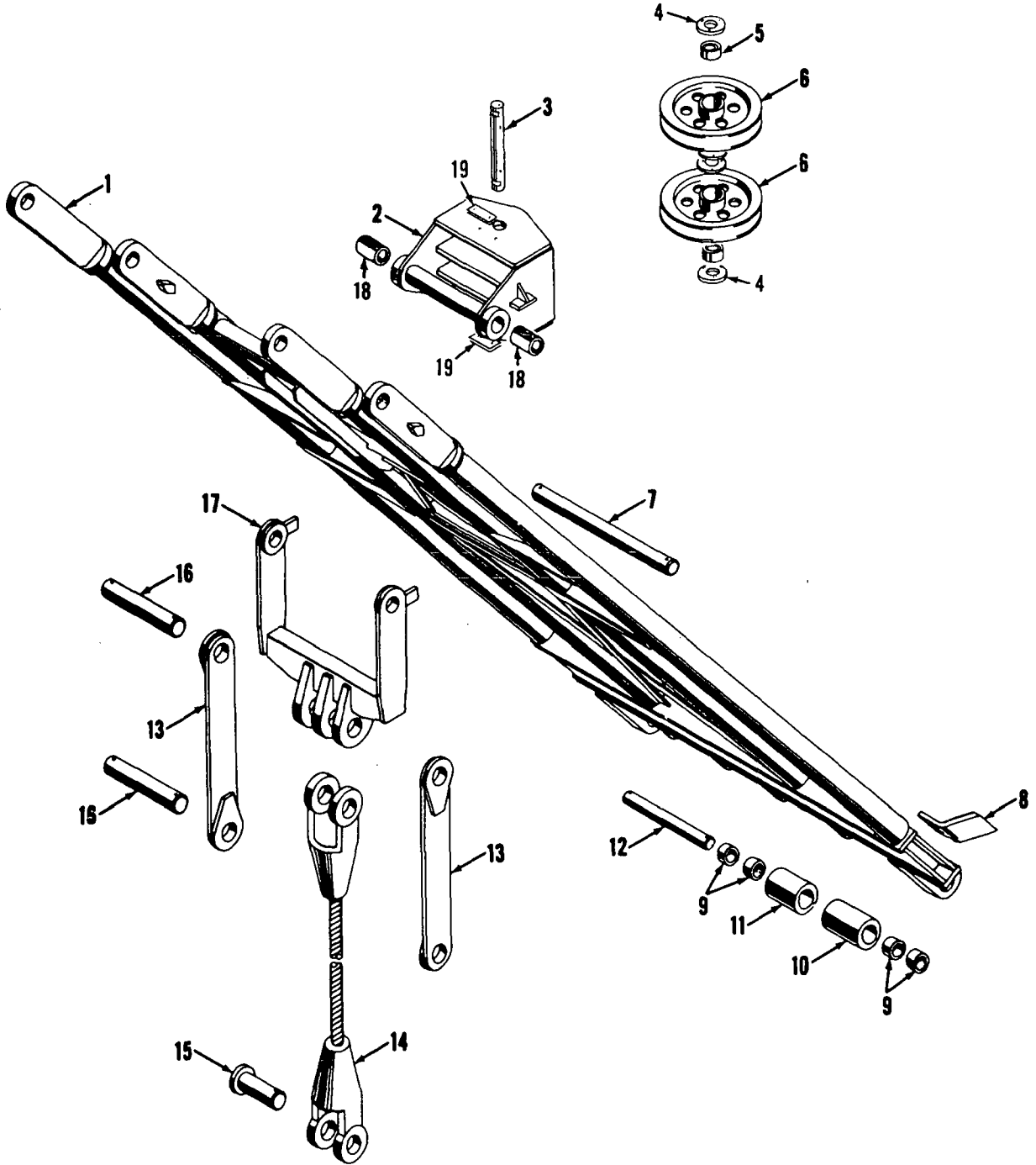
BOOM POINT SHAFT

MANITOWOC ENGINEERING CO.

A Division of The Manitowoc Company, Inc.

Manitowoc, Wisconsin

MASTER



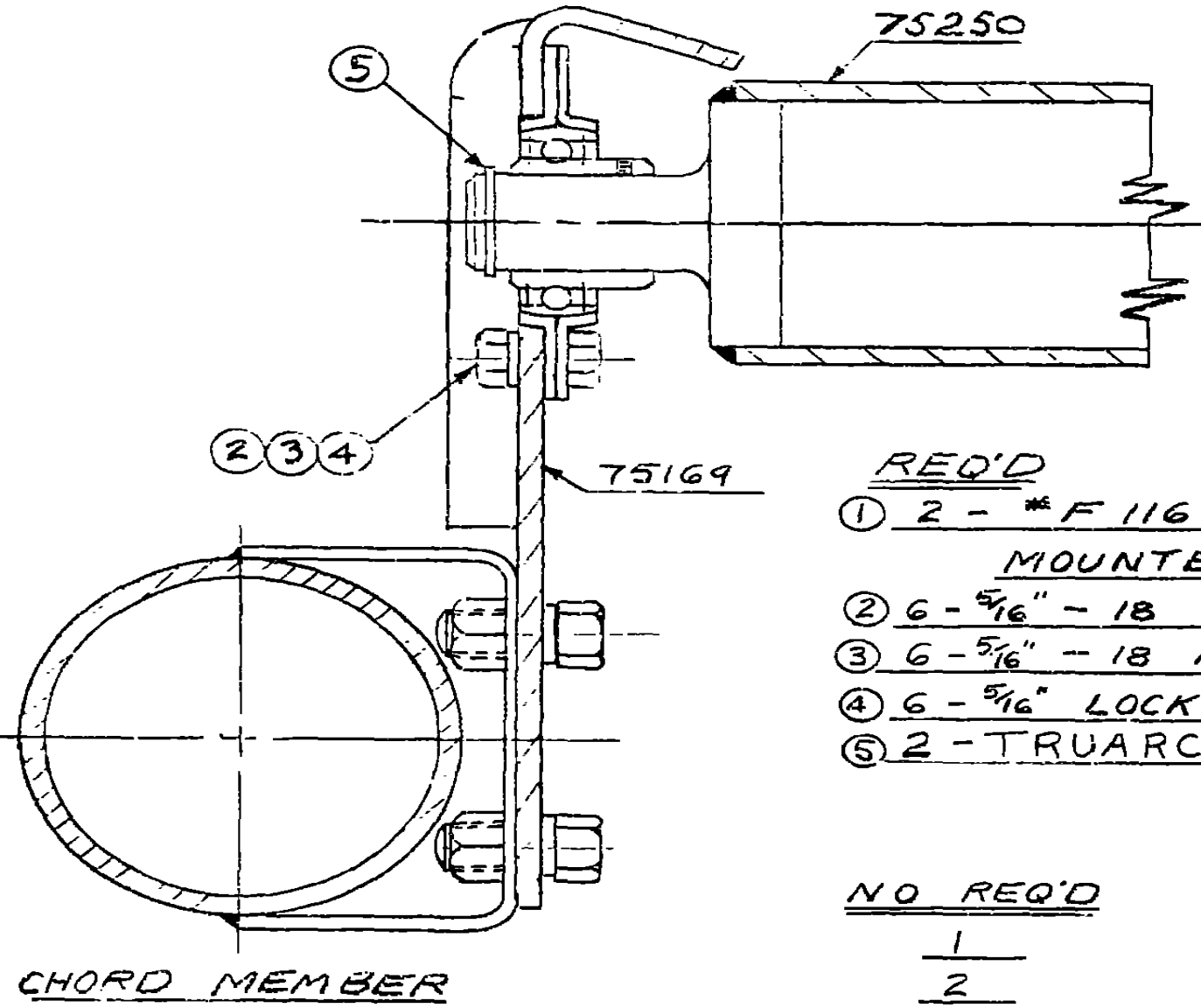
49594 A1

49594A1

MATERIAL LIST ON BACK

GANTRY AND BACKHITCH

DWG. NO. 75251	WIRE ROPE GUIDE	SCALE 6"=1'-0"	UNLESS NOTED	MANITOWOC ENGINEERING CO. MANITOWOC, WISCONSIN	DATE 6-1-67
CODE NO.	ROLLER ASSEMBLY	DR. R/J/L	FRACT. DIM. _____		REVISOR
PATTERN NO.	FOR #16 BOOM	CK. E.G.T.	HOLE DIA. _____	MATERIAL	REVISED DATE
	MODEL 2900	APP.	HOLE CENTERS _____		
			FINISH _____		



NOTE:
SET SCREWS TO BE
REMOVED FROM BOTH
BEARINGS

<u>REQ'D</u>	<u>CODE NO.</u>
① 2 - # F 116 NICE FLANGE MOUNTED BEARING	224218
② 6 - 5/16" - 18 N.C. - 7/8" HEX SCREW	612404
③ 6 - 5/16" - 18 N.C. HEX NUT	546053
④ 6 - 5/16" LOCKWASHER	710303
⑤ 2 - TRUARC RETAINER RINGS	596823

<u>NO REQ'D</u>	<u>DWG NO</u>	<u>TITLE</u>
1	75250	ROLLER
2	75169	BRG. BRACKET

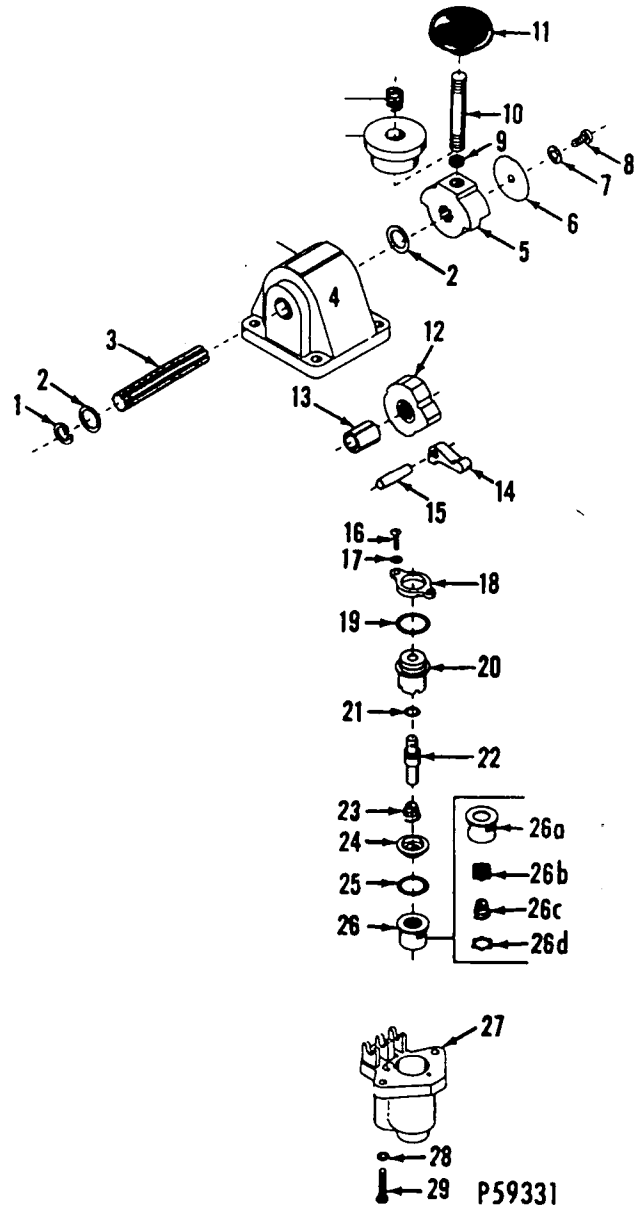
182340
181869
42802
42886

ASSEMBLIES
USED ON
DWG. NO.
75251

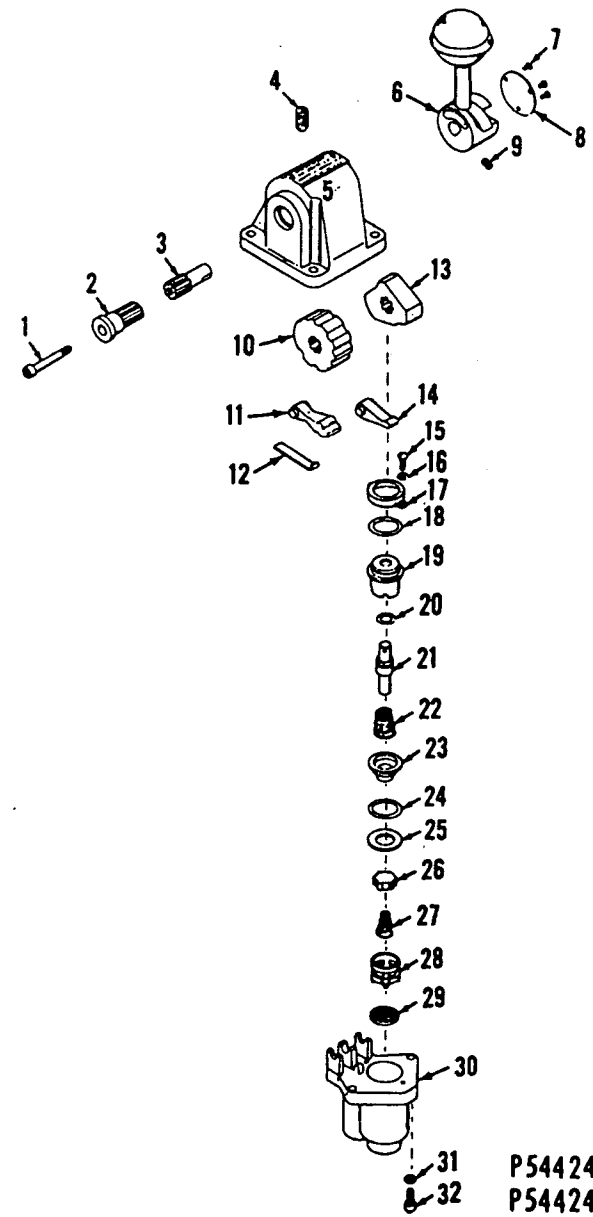
SUPERSEDES 75251 OF 3-5-65

O-Number

0-69



P59331
 P59333



P54424-0101
 P54424-0301

MATERIAL LIST ON BACK

CONTROL VALVE

MANITOWOC ENGINEERING CO.

Division of The Manitowoc Company, Inc.

Manitowoc, Wisconsin 54220



TUBING (soft copper)

Code No.	Tube O.D.
696205	3/16
696210	1/4
696214	5/16
696216	3/8
696218	1/2
696219	5/8
696220	3/4



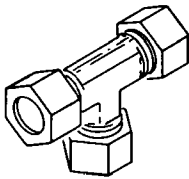
NUT

Code No.	Tube O.D.
424603	3/8
424604	1/2
424605	3/4
424633	5/16
424634	1/4
424635	3/16



FERRULE

Code No.	Tube O.D.
424600	1/4
424601	3/4
424602	3/8
424616	5/16
424617	1/2
424618	1/8
424619	3/16



UNION TEE

Code No.	Tube O.D.
429315	1/4
429316	3/8
429317	5/16



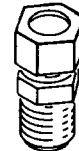
UNION

Code No.	Tube O.D.
429349	3/8
429361	1/4
429362	1/2
429397	5/16



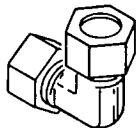
FEMALE CONNECTOR

Code No.	Tube O.D.	Pipe Thread
429312	3/16	1/8
429407	1/4	1/8
429830	1/4	1/4



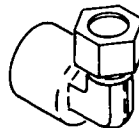
MALE CONNECTOR

Code No.	Tube O.D.	Pipe Thread
429324	3/4	3/4
429328	3/8	1/2
429351	5/16	1/8
429358	1/2	3/4
429359	1/2	3/8
429363	1/4	1/8
429364	1/4	1/4
429365	3/16	1/8
429366	3/8	1/8
429367	3/8	1/4
429368	3/8	3/8



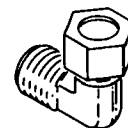
UNION ELBOW

Code No.	Tube O.D.
429372	3/8
429378	1/2
429381	1/4



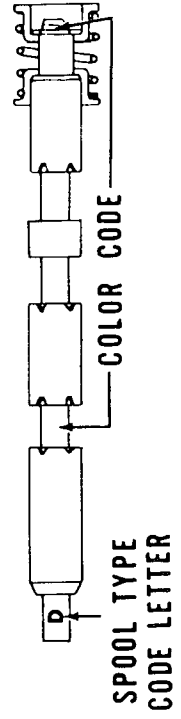
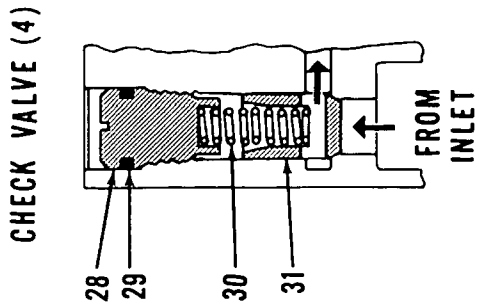
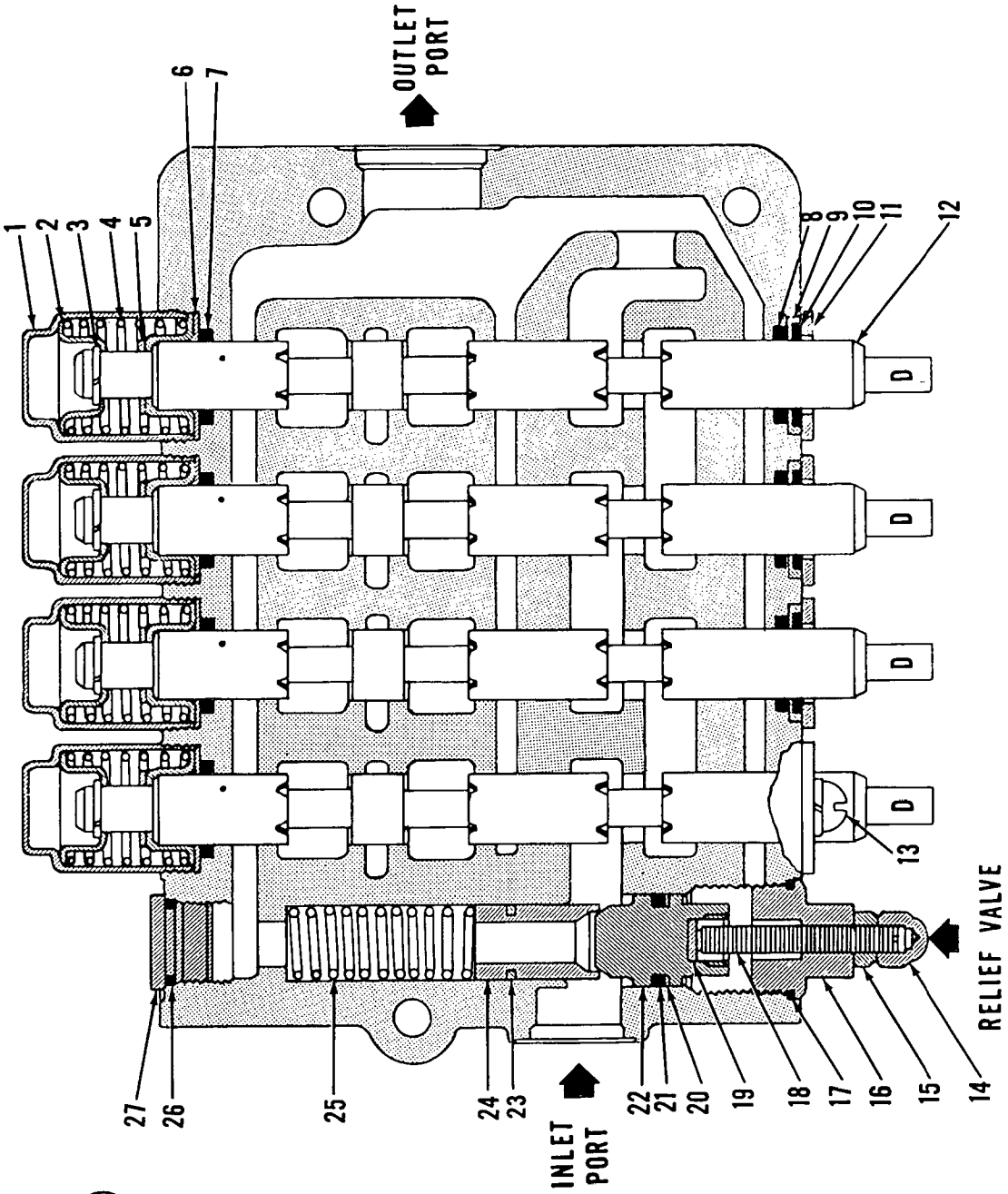
FEMALE ELBOW

Code No.	Tube O.D.	Pipe Thread
429066	1/4	1/8
429825	1/4	1/4



MALE ELBOW

Code No.	Tube O.D.	Pipe Thread
429371	1/2	1/2
429373	3/8	1/8
429374	1/4	1/4
429375	3/8	1/4
429376	1/2	3/8
429380	1/4	1/8
429384	3/8	1/2
429385	5/16	1/8
429386	3/16	1/8
429401	1/2	3/4
429422	3/8	3/8
429453	3/4	3/4



HYDRAULIC CONTROL VALVE

MATERIAL LIST ON BACK

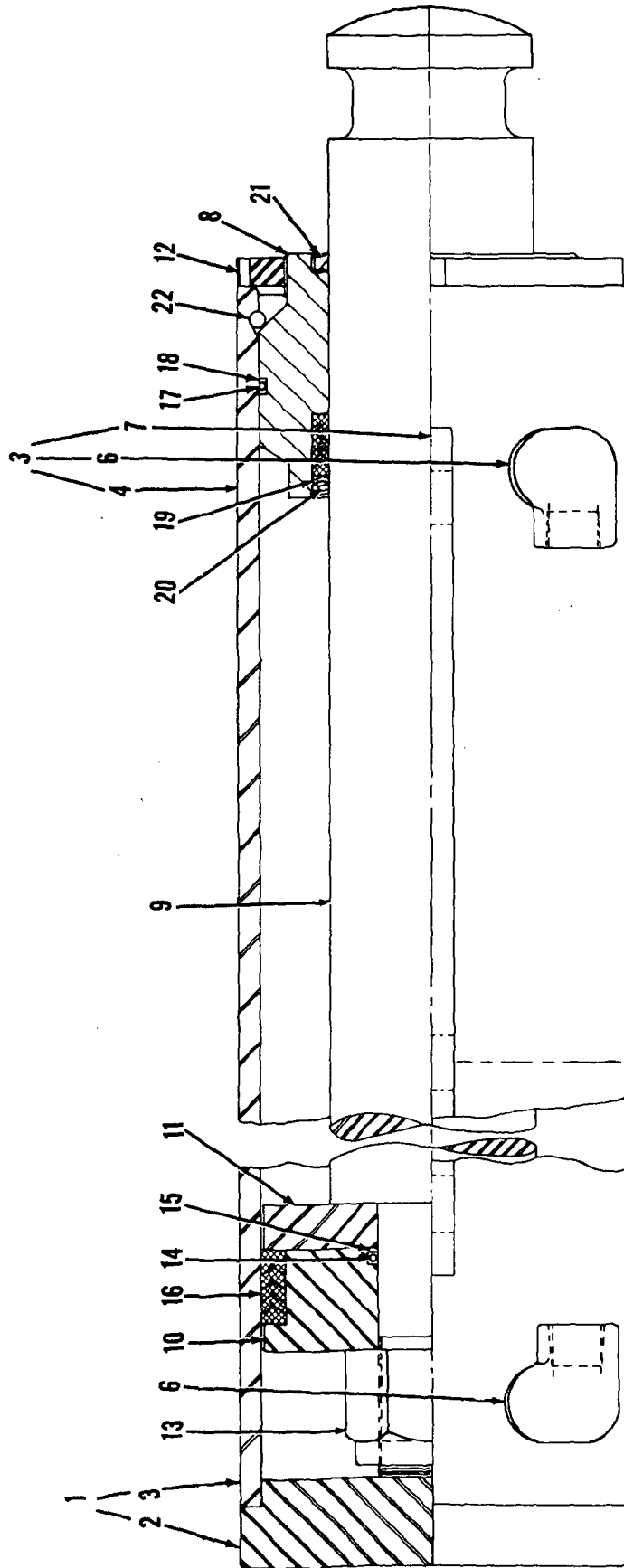
O-244-M1

42630-A-5

MANITOWOC ENGINEERING CO.

A Division of The Manitowoc Company, Inc.

Manitowoc, Wisconsin



MASTER

42987A3

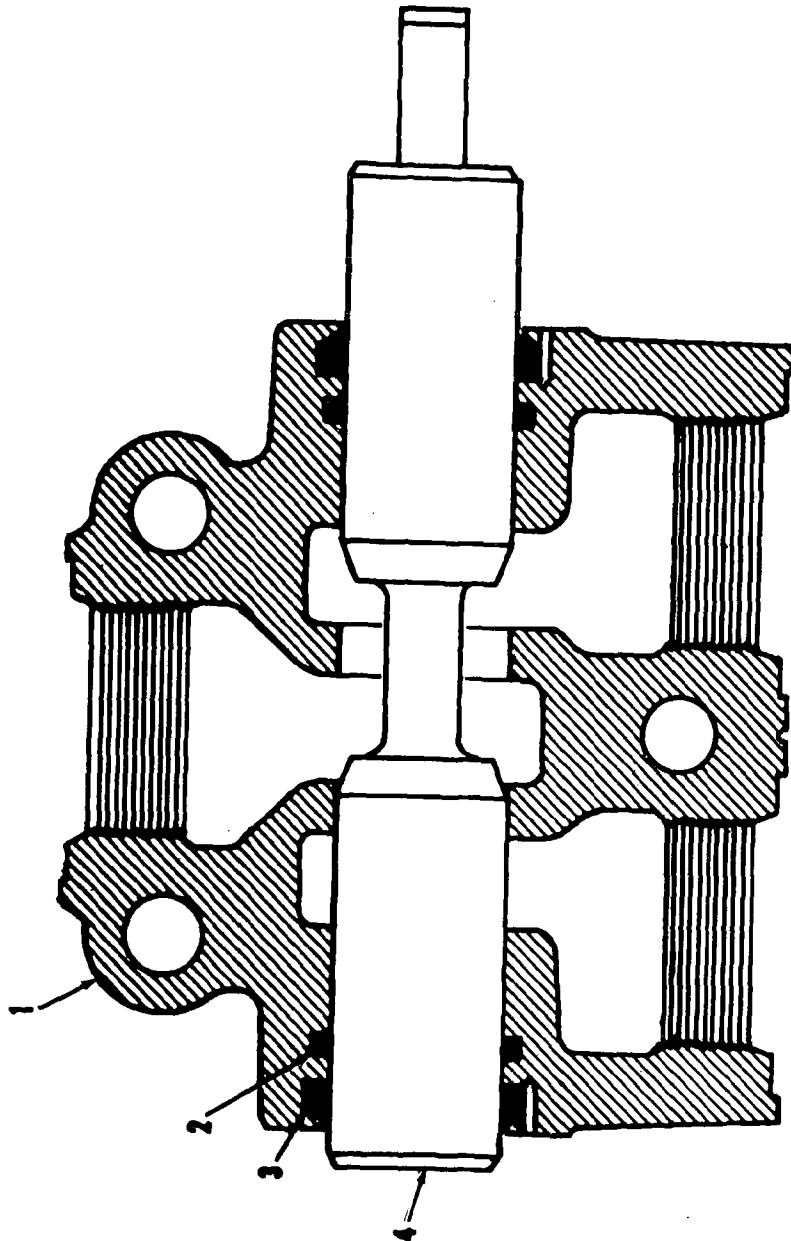
MATERIAL LIST ON BACK

JACK

MANITOWOC ENGINEERING CO.

A Division of The Manitowoc Company, Inc.

Manitowoc, Wisconsin



0-296-A

43076A2

MATERIAL LIST ON BACK

DIVERTING VALVE

0-415-1 Cont	REV. B	MODEL 2000-4600 Incl., 6400, 36' P.R., 60' P.R., S.C.-240
--------------	-----------	--

(MANITOWOC #717268 - SPRAGUE #MA-100-60 W/GCr - 851-1.5)
 (MANITOWOC #717269 - SPRAGUE #MA-100-70 W/GCr - 856 - 4) SEE NOTE 1
 (MANITOWOC #717270 - SPRAGUE #MA-100-105 W/GCr- 856 - 4)

REF. NO.	PART NUMBER	QUANTITY REQUIRED	DESCRIPTION OF PART	VENDORS PART NO.
			<p>The vendor is Sprague Devices, Inc., Michigan City, Indiana. Please so specify if ordering from Manitowoc Engineering Co.</p> <p><u>NOTE 1:</u> Manitowoc Aluminum bodied wiper motors 717268, 717269, 717270 supersede brass bodied wiper motors 717212, 717210, 717203 respectively. All parts listed above can be used to repair the previously used brass bodied motors.</p> <p>* Parts included in Sprague Repair Kit #43.</p> <p>** The suffix - 1.5 or -4 denotes the length in inches that the shaft extends from the motor.</p> <p>*** The suffix -60, -70, -105 designates degree of wiper swing.</p>	

Run as a Front
MASTER

0-415-B1 Cont

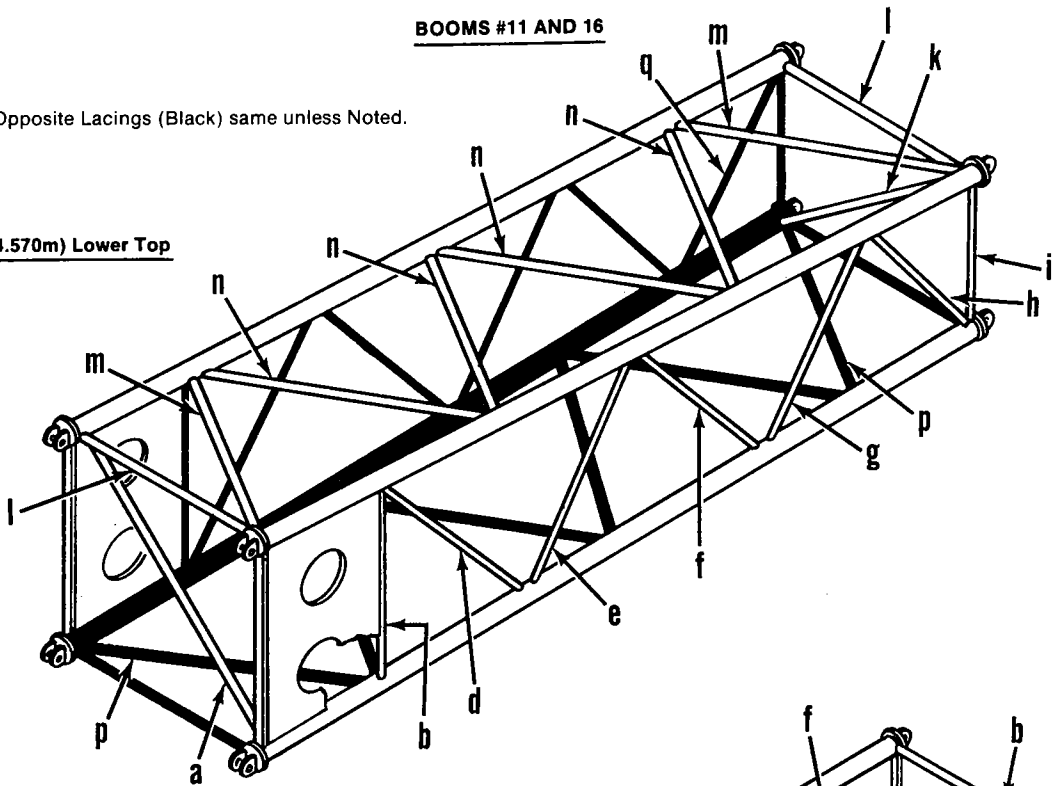
REV. B	0-415-1
-----------	---------

PLEASE GIVE MACHINE S/N W/ORDER

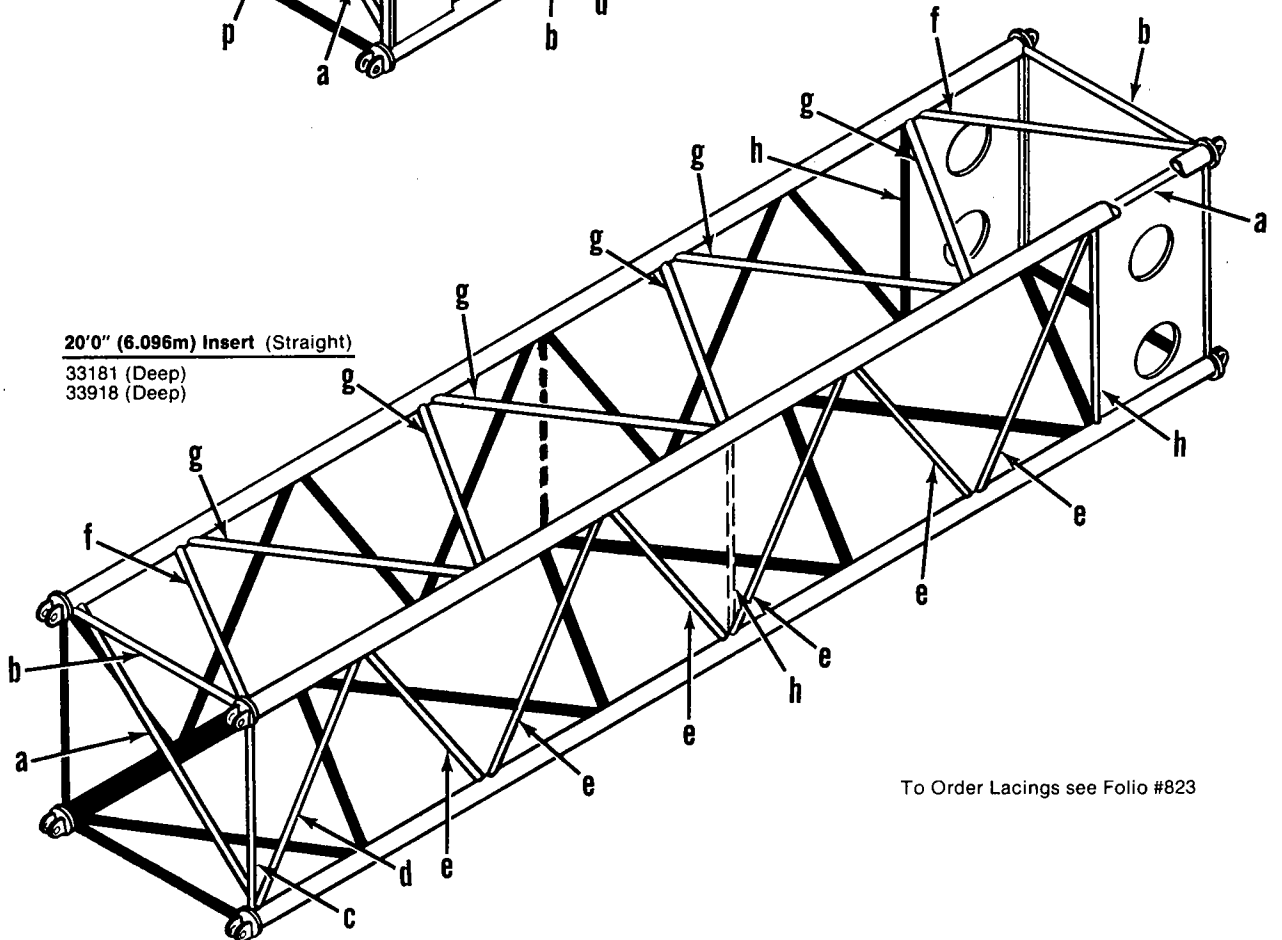
BOOMS #11 AND 16

Opposite Lacings (Black) same unless Noted.

15'0" (4.570m) Lower Top
33182



20'0" (6.096m) Insert (Straight)
33181 (Deep)
33918 (Deep)



To Order Lacings see Folio #823

CLICK HERE TO **DOWNLOAD** THE COMPLETE MANUAL

- Thank you very much for reading the preview of the manual.
- You can download the complete manual from: www.heydownloads.com by clicking the link below



- Please note: If there is no response to CLICKING the link, please download this PDF first and then click on it.

CLICK HERE TO **DOWNLOAD** THE COMPLETE MANUAL