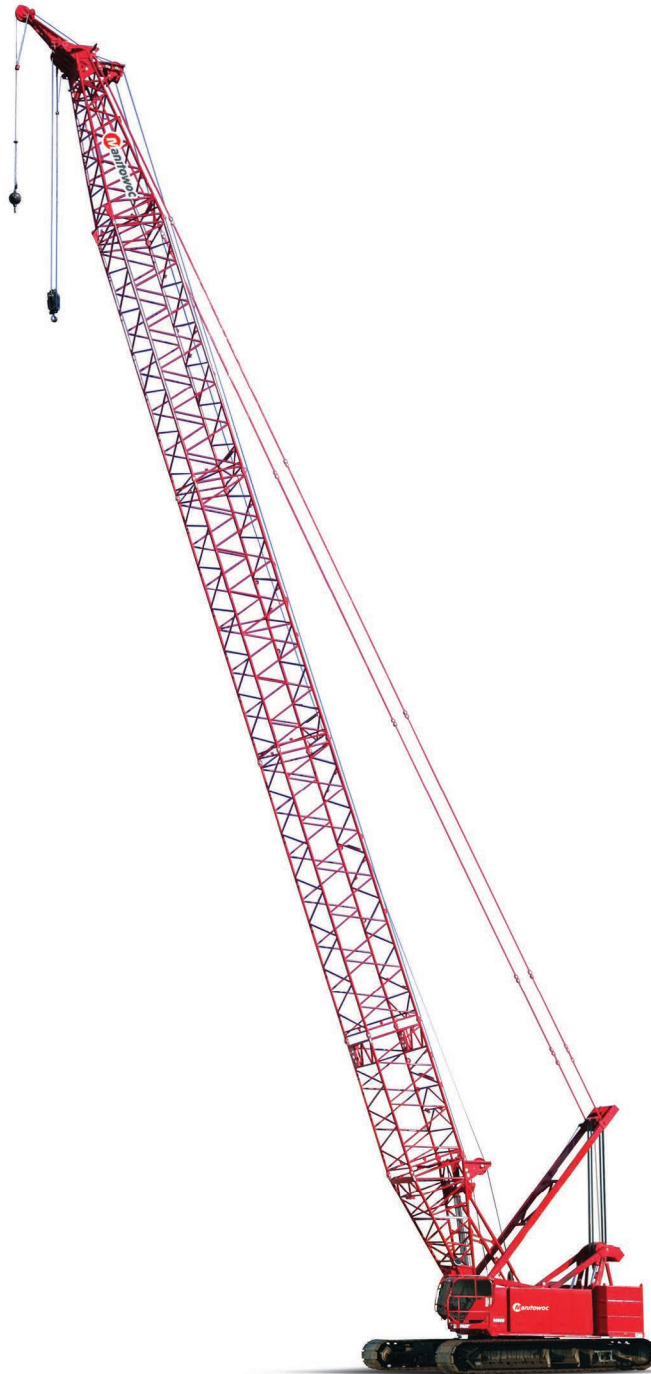


# Manitowoc 14000

## 605128

### Parts Manual



ENU  
2016-01-08

CLICK HERE TO **DOWNLOAD** THE COMPLETE MANUAL

- Thank you very much for reading the preview of the manual.
- You can download the complete manual from: [www.heydownloads.com](http://www.heydownloads.com) by clicking the link below



- Please note: If there is no response to CLICKING the link, please download this PDF first and then click on it.

CLICK HERE TO **DOWNLOAD** THE COMPLETE MANUAL

<b>3.16</b>	<b>ELEC CNTRL ASSY BOOM WIRING &amp; LIMITS (A162201) Rev R</b>	3-53
3.16.1	SWITCH ASSY BLOCK UP LIMIT (1957499) Rev C	3-57
3.16.2	CONTROLLER ASSY BOOM TOP (A168882) Rev F	3-61
3.16.3	CLAMP CABLE ASSY (A182331) Rev A	3-65
<b>3.17</b>	<b>ELEC CONTROL ASSY UPPER BOOM POINT (A162202) Rev R</b>	3-67
3.17.1	SWITCH ASSY BLOCK UP LIMIT (1957499) Rev C	3-69
<b>3.18</b>	<b>CONSOLE RH ASSY (A162801) Rev H</b>	3-73
3.18.1	CONTROLLER JOYSTICK SINGLE AXIS W/INDICT (810087540) Rev B	3-75
3.18.2	JOYSTICK SINGLE AXIS (A024670) Rev B	3-77
3.18.3	CONTROLLER JOYSTICK SINGLE AXIS W/INDICT (810087550) Rev B	3-79
<b>3.19</b>	<b>CONSOLE RH ASSY SWITCH FOR T4 PWR PLT (A162809) Rev H</b>	3-81
<b>3.20</b>	<b>CONSOLE LH ASSY (A162901) Rev E</b>	3-83
3.20.1	CONTROLLER DUAL AXIS JOYSTICK W/ROT IND (810087530) Rev A	3-85
3.20.2	CONTROLLER JOYSTICK SINGLE AXIS FRICTION (A024680) Rev B	3-87
<b>4</b>	<b>POWER PLANT</b>	
<b>4.1</b>	<b>POWER PLANT ASSY 340 HP QSL9 T4F (810217801) Rev D</b>	4-3
4.1.1	CLEANER AIR ASSY (810079471) Rev C	4-5
4.1.2	BATTERY ASSY QSL9 T3 T4I T4F (810247801) Rev A	4-7
4.1.3	PIPING FUEL ASSY (810237361) Rev B	4-9
4.1.4	AIR CONDITIONER & HEATER ASSY QSL 340HP (810136971) Rev L	4-11
4.1.5	EXHAUST ASSY DEF SYSTEM INSTL QSL9 T4F (810203551) Rev E	4-19
4.1.6	EXHAUST ASSY COOLANT LINESINSTL QSL9T4F (810203561) Rev E	4-23
4.1.7	EXHAUST ASSY 340HP QSL T4F (810203571) Rev D	4-27
4.1.8	POWER PLANT ASSY QSL9T4F ENG/PUMP DRIVE (810217811) Rev A	4-29
4.1.9	COOLER ASSY 340 HP QSL9 T4F (810217821) Rev A	4-129
4.1.10	ESI 24VDC ENG WIRING T4F (810223101) Rev B	4-149
<b>4.2</b>	<b>CLUTCH ASSY W/HOUSING AND GREASE PIPING (A097352) Rev FA</b>	4-157
<b>4.3</b>	<b>POWER PLANT ASSY LESS FREEFALL (810217812) Rev A</b>	4-159
<b>4.4</b>	<b>TANK FUEL ASSY (A158871) Rev E</b>	4-161
4.4.1	TANK FUEL ASSY AS PURCHASED (A166012) Rev F	4-163

**1. ROTATING STRUCTURE**  
**1.1.1 CAB ASSY ELEV CAB (81040180) Rev A**

<b>CAB ASSY ELEV CAB (81040180) Rev A</b>				
<b>Pos.</b>	<b>Part</b>	<b>BOM Qty.</b>	<b>Foot Note</b>	<b>Description</b>
1	5483450	4		HEX LOCK NUT 5/8-11UNC GR 8
2	6926560	1 FT		TRIM LOC 100.0 LG
4	81040210	1		FRAME CAB MOUNTING
5	81040286	1		COVER CAB REAR
6	81042724	1		COVER WINDOW WASHER
7	6705012439	1		MOUNTING PLATE WELD
8	6705170886	1		PLATE MOUNT WELD
9	7126170853	6		HHCS FULL THREAD 8 X 12 8.8
10	7126171153	4		HHCS M8X20 8.8 FLZN 4017
11	7126171253	4		HHCS M8X25 8.8 FLZN 4017
12	7661170004	8		HEX NUT M8 10FLZN ISO4032
13	7880000879	1		4 QT. FLUID TANK
14	7949000148	8		WASHER SPACER
15	7951170014	12		F WASHER 8 ST ISO 7089
16	7951170220	14		L WASHER 8 ST DIN 127B
17	7638000203	4		MOUNT SHOCK
18	A011090	1		HORN HIGH
19	A011100	1		HORN LOW

ENU / 2016-01-08

**1. ROTATING STRUCTURE**  
**1.1.3 CAB SUPPORT 27 FT ELEV CAB (81042240) Rev B**

---

<b>LANYARD ASSY PIN (810293652) Rev B</b>				
<b>Pos.</b>	<b>Part</b>	<b>BOM Qty.</b>	<b>Foot Note</b>	<b>Description</b>
1	810070010	1 FT		WIRE ROPE 3/64 7X7 SS VC-1/16 CLEAR
2	810070020	2		SLEEVE 1/16 OVAL ALUMINUM
3	A126470	1		PIN SAFETY .38 DIA X 3.00 LG

ENU / 2016-01-08

**1. ROTATING STRUCTURE**  
**1.1.4 HVAC 27 FT ELEVATED CAB (81042587) Rev B**

HVAC 27 FT ELEVATED CAB (81042587) Rev B				
Pos.	Part	BOM Qty.	Foot Note	Description
1	3453370	2		CLAMP WORM DRIVE 0.69 - 1.50 ID
2	3455110	12		CLAMP TUBE 0.75 DIA
3	3455120	4		CLAMP TUBE 1.00 DIA
4	3456730	1		CLAMP TUBE 1.75 DIA
5	3456850	7		CLAMP TUBE 0.88 DIA
6	3490040	1		CLAMP .75 DIA
7	3490080	4		CLAMP 1.00 DIA
8	3753320	4		Q DISCON FITTING COUPLER .75" NPT
9	7019170	2		VALVE BALL .75
10	810115650	2		FITTING ADPTR 3/4 NPT X 5/8 HOSE BARB
11	810117670	1		TUBE PREFORMED .75 OD X .065 WALL C1010
12	810119500	1		HOSE ASSY .38 ID X 5592 X 156.0 LG
13	810119500	1		HOSE ASSY .38 ID X 5592 X 156.0 LG
14	810133370	7		FITTING ADPTR STRT .75 NPT X .75 BARB
15	810138840 ➡ page 1-30	1		KIT AIR CONDITIONING
16	810140450	4		PIPE NIPPLE .75 X 4.00 LG X SCH 40
17	810140510	1		PIPE NIPPLE .75 X 5.50 LG X SCH 40
18	810141530	2		PIPE ELBOW 90 DEG STREET 0.75 NPT
19	810150570	1		PIPE COUPLING .75 NPTF BRASS
20	810159480	5		CLAMP TUBE 1.12 DIA
21	810159490	3		CLAMP TUBE 1.05 DIA
22	810169932	4		BRACKET CONDENSER
23	810174752	1		BRACKET FUEL HOSE
24	810205730 ➡ page 1-32	1	AU	KIT AIR COND ENGINE QSL 24 V
25	810234910	4		DUST PLUG
26	810234920	4		CAP DUST
27	810311390	2		FITTING ADPTR STRT .75 NPTF X .75 BARB
28	81036103	2		Q DISCON FITTING A/C NO. 10 FEMALE
29	81036104	2		Q DISCON FITTING A/C NO. 10 MALE
30	81036105	2		Q DISCON FITTING A/C NO. 6 FEMALE
31	81036106	2		Q DISCON FITTING A/C NO. 6 MALE
32	81039065	4		CLAMP WORM DRIVE .50-.75 ID SMOOTH
33	81039067	12		CLAMP WORM DRIVE .75-1.25 ID SMOOTH
34	81041436	2		DUST PLUG ASSY NO. 10
35	81041437	2		DUST PLUG ASSY NO. 6
36	84018982	1		PUMP WATER ELEC 24 VDC
37	81042639	1		KIT HOSE AC 26' CAB
38	6575110019	1		HOSE SILICONE .63 ID X 19.00 LG
39	6575110045	1		HOSE 0.63ID X 45.0L SLCN
40	6575112039	1		HOSE SILICONE 12 X 39 L CLNT
41	6575112216	1		HOSE SILICONE 12 X 216 L CLNT

ENU / 2016-01-08

**1. ROTATING STRUCTURE**  
**1.1.6 CRANESTAR MOD ELEVATED CAB (81042731) Rev A**

---

<b>CRANESTAR MOD ELEVATED CAB (81042731) Rev A</b>				
<b>Pos.</b>	<b>Part</b>	<b>BOM Qty.</b>	<b>Foot Note</b>	<b>Description</b>
1	7103020	4		L WASHER MEDIUM 1/4 ST B18.21.1
2	81042729	2		BOLT U .25-20 X 1.75 ID SS
3	81042730	1		BRACKET CRANESTAR ANTENNA

ENU / 2016-01-08

**1. ROTATING STRUCTURE**  
**1.2 CAB ASSY 24V STANDARD (810077911) Rev G**

<b>CAB ASSY 24V STANDARD (810077911) Rev G</b>				
<b>Pos.</b>	<b>Part</b>	<b>BOM Qty.</b>	<b>Foot Note</b>	<b>Description</b>
41	7661150003	4		HEX NUT M6 8FLZN ISO4032
42	810179980	11		PHIL PMS
43	5390529	1		IDENTIFICATION PLATE
44	7660082503	15		HEX LOCK NUT
45	7951190014	2		F WASHER 10 ST ISO 7089
46	7659190019	7		RETAINER CLIP NUT M6 X 1.0
47	810179990	7		HHCS FULL THREAD
48	80038104	1		PIN STRIKER BOLT CAB DOOR
49	7345001746	5		TERMINAL MALE .25 TAB 16-14
50	80038198	3		F WASHER 3/8 X 3/16 THK
51	810180000	8		HHCS FULL THREAD
52	80016424	1		GASKET WIPER BLOCK
53	7660160008	1		HEX NUT 3/8-16UNC GR8
54	7123151553	1		HHCS M6X40 A2 ISO4017
55	7951190210	2		L WASHER 10 ST DIN 7980
56	810180010	2		HHCS
57	810180020	2		HHCS
58	6184180	5		SCREW #10-32UNF X .50 TRUSS HD BLACK
59	80042108	2		ASSY CAB WIPER LINK BAR
60	810180062	1		BRACKET
61	7126171153	2		HHCS M8X20 8.8 FLZN 4017

ENU / 2016-01-08

**1. ROTATING STRUCTURE**  
**1.2.4 WINDOW ASSY CAB REAR (80004174)**

<b>WINDOW ASSY CAB REAR (80004174)</b>				
<b>Pos.</b>	<b>Part</b>	<b>BOM Qty.</b>	<b>Foot Note</b>	<b>Description</b>
1	90014311	1		SEAL, 90" BULB
2	90014310	1		GLASS, VENT 580069
3	90014309	2		HINGE
4	9498100371	4		SCREW
5	90014308	2		BOLT, MOUNTING
6	90014307	2		WASHER
7	90014306	4		WASHER, NEOPRENE
8	90014305	2		NUT, S.S.
9	90014303	4		SCREW
10	90014312	1	AU	KIT, SEAL
10-1	90014304	1		DEVICE, HOLD OPEN
10-2	90014302	1		BRACKET
10-3	90014301	2		RIVET
AU = PART NOT SHOWN				

**1. ROTATING STRUCTURE**  
**1.5 WINDOW WASHER ASSY (810026601) Rev A**

---

<b>WINDOW WASHER ASSY (810026601) Rev A</b>				
<b>Pos.</b>	<b>Part</b>	<b>BOM Qty.</b>	<b>Foot Note</b>	<b>Description</b>
1	A019720	1		VALVE CHECK WASHER FLUID
2	A019730	1		CONNECTOR BULKHEAD DOGA
3	A025890	1		TUBING RUBBER 3MM ID X 5MM OD-16FT

ENU / 2016-01-08

**1. ROTATING STRUCTURE**  
**1.10 ENCLOSURE ASSY T4F (810222991) Rev A**

ENCLOSURE ASSY T4F (810222991) Rev A				
Pos.	Part	BOM Qty.	Foot Note	Description
1	4705260	4		BOLT SEAT 3/8" SEAT GALV FOR GRATING
2	810016972	1		GRATING C CHANNEL WELDMENT 2 X 10 X13GA
4	810114339 ➡ page 1-78	1		ENCLOSURE ASSY RH T4I (W/O NOISE ELIM)
5	810114341 ➡ page 1-84	1		ENCLOSURE LH T4I W/O NOISE
6	7126151750	2		HHCS 6 X 50 8.8
7	7126172053	4		HHCS M8X65 8.8 FLZN 4017
8	7126191253	2		HHCS M10X25 8.8 FLZN 4017
9	7126191353	2		HHCS M10X30 8.8 FLZN 4017
10	7126191453	2		HHCS M10X35 8.8 FLZN 4017
11	7126211353	2		HHCS M12X30 8.8 FLZN 4017
12	7126211453	4		HHCS M12X35 8.8 FLZN 4017
13	7127171153	2		HHCS 8 X 20 10.9
14	7661150003	2		HEX NUT M6 8FLZN ISO4032
15	7661190003	6		HEX NUT M10 8FLZN ISO4032
16	7951150014	4		F WASHER 6 ST ISO 7089
17	7951150210	2		L WASHER 6 ST DIN 7980
18	7951170014	6		F WASHER 8 ST ISO 7089
19	7951170210	2		L WASHER 8 ST DIN 7890
20	7951190014	12		F WASHER 10 ST ISO 7089
21	7951190210	8		L WASHER 10 ST DIN 7980
22	7951210014	4		F WASHER 12 ST ISO 7089
23	7951210210	4		L WASHER 12 ST DIN 7980
24	A175542	1		STEP WELDMENT
25	A175559	1		STEP WELDMENT
26	A175562	1		LADDER INSIDE ROTATING BED
27	A177302	1		BRACKET LADDER SUPPORT
28	A180830	1		GRATING C CHANNEL OPEN GRIP 7" X 2"13GA
30	810223002 ➡ page 1-94	1		ENCLOSURE ASSY ENGINE T4F

**1. ROTATING STRUCTURE**  
**1.10.2 ENCLOSURE LH T4I W/O NOISE (810114341) Rev C**

<b>PANEL ENCL ASSY (810025150) Rev B</b>				
<b>Pos.</b>	<b>Part</b>	<b>BOM Qty.</b>	<b>Foot Note</b>	<b>Description</b>
1	81002515001	2		PLATE ENCLOSURE PANEL
2	4116030	1		BRACKET SHOCK MTG
3	4113130	13		SCREW, CAP
4	810024572	1		PLATE 5.0 MM MEC 850
5	810025140	1		PANEL ENCL FIBER GLASS
6	810025250	1		HINGE ASSY
7	7950100001	24		L WASHER #10 REG HRC44-51
8	7111100511	22		Slot PMS #10-24UNCx0.63 G1
10	7111101011	2		SLOTTED PAN HEAD SCREW #10-24 UNC
11	7660100001	24		HEX NUT 10-24UNC GR 5
12	7950100151	24		F WASHER #10 ST B18.22.1
13	A064950	1		HANDLE,DOOR
14	A074600	2		LATCH LEVER
14-1	90014050	2		KEY

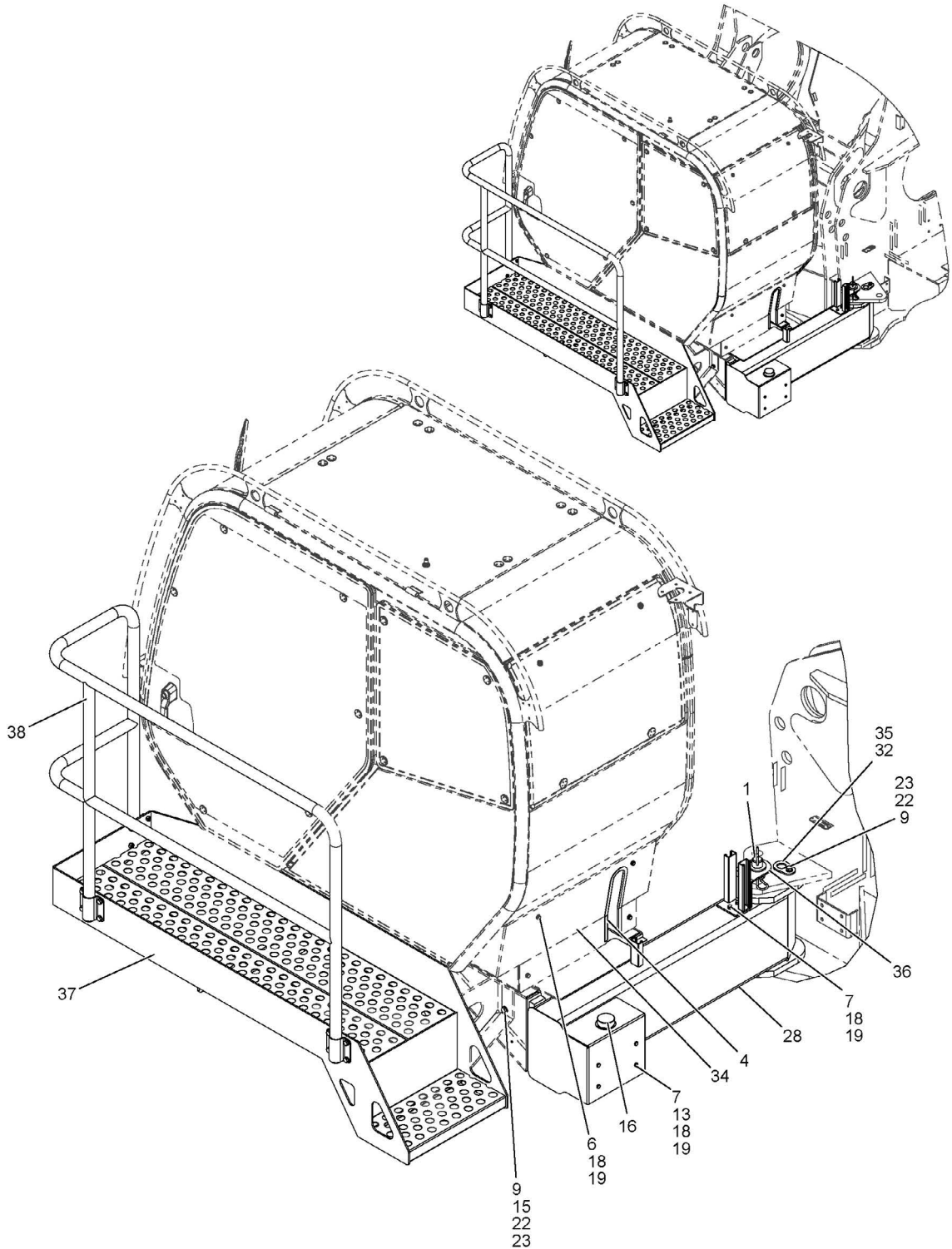
ENU / 2016-01-08

**1. ROTATING STRUCTURE**  
**1.11 HVAC ASSY CAB (810206371) Rev B**

HVAC ASSY CAB (810206371) Rev B				
Pos.	Part	BOM Qty.	Foot Note	Description
1	810207550	8		CLAMP SPRING LIGHT DUTY 2.56 - 2.86
2	5460500	2		HEX NUT 8-32UNC STEEL
3	6184190	2		PHIL TMS 6-32UNC X .25 GR 1
4	7103190	2		L WASHER MEDIUM #8 ST B18.21.1
5	81020581 → page 1-98	1		HVAC INSIDE CAB 24V
6	7127171253	5		HHCS M8X25 -10.9 ISO 4017
7	7661170003	5		HEX NUT M8 8FLZN ISO4032
8	7951170014	10		F WASHER 8 ST ISO 7089
9	7951170210	5		L WASHER 8 ST DIN 7890
10	A033110	0.800 FT		RUBBER STRIP BLACK TRIM
11	A182400	2		PHIL TMS 8-32UNC X 1.00 GR 1
12	7092030	1		F WASHER #8 ST SAE

ENU / 2016-01-08

# 1.14 CAB MOUNTING ASSY (A158849) Rev M



ENU / 2016-01-08

1. ROTATING STRUCTURE  
1.17 BUSHING ASSY (A168791) Rev A

---

BUSHING ASSY (A168791) Rev A				
Pos.	Part	BOM Qty.	Foot Note	Description
1	A165830	2		BUSHING 76.44 X 88.91 X 76.2

ENU / 2016-01-08

**1. ROTATING STRUCTURE**

**1.21.1 CYL HYD 4.0" BORE X 17" STROKE DBL ACT (3856070) Rev B**

<b>CYL HYD 4.0" BORE X 17" STROKE DBL ACT (3856070) Rev B</b>				
<b>Pos.</b>	<b>Part</b>	<b>BOM Qty.</b>	<b>Foot Note</b>	<b>Description</b>
1	9372220666	1		HEAD
2	3856075	1	AU	SEAL KIT
2-1	9372220171	1		WIPER
2-2	9372220250	1		O-RING
2-3	9372220251	2		U-CUP
2-4	9372220252	1		RING, WIPER
2-5	9372220169	3		RING, WEAR
2-6	9372220170	1		POLYPAK
2-7	9372220173	1		O-RING
2-8	9372220253	1		RING, BACK-UP
AU = PART NOT SHOWN				

ENU / 2016-01-08

**2. UPPERWORKS MACHINERY**  
**2.1.1 VALVE BUTTERFLY CODE61-80 (A164280)**

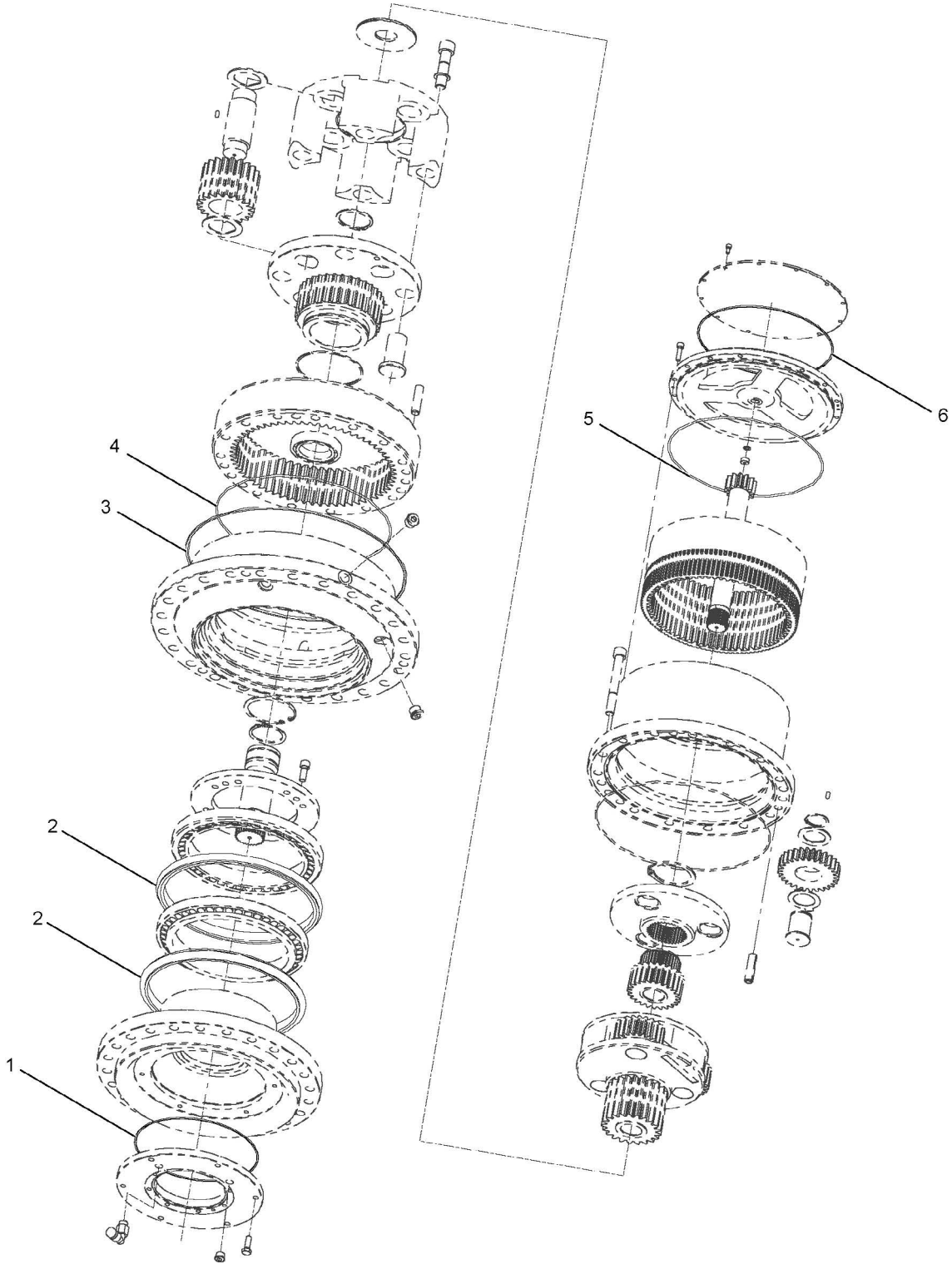
---

VALVE BUTTERFLY CODE61-80 (A164280)				
Pos.	Part	BOM Qty.	Foot Note	Description
1	90026382	1		HANDLE

ENU / 2016-01-08

ENU / 2016-01-08

2. UPPERWORKS MACHINERY  
2.3.1 GEAR BOX PLANETARY BOOM HOIST (4652110) Rev B



ENU / 2016-01-08

**2. UPPERWORKS MACHINERY**  
**2.3.2 MOTOR HYD PISTON VARI W/L2 & SPD SENSOR (A171460) Rev B**

---

<b>VALVE, SOLENOID (24V) (9632220674)</b>				
<b>Pos.</b>	<b>Part</b>	<b>BOM Qty.</b>	<b>Foot Note</b>	<b>Description</b>
1	9632220226	1		SEAL, GASKET/O-RING
2	9632220005	1		PLUG
3	9632220035	1		O-RING
4	9632220004	2		PLUG
5	9632220036	2		O-RING

ENU / 2016-01-08

**2. UPPERWORKS MACHINERY**  
**2.4.1 DRIVE PLANETARY HOIST 82.02:1 (A165450) Rev E**

<b>KIT, BRAKE (9527200052)</b>				
<b>Pos.</b>	<b>Part</b>	<b>BOM Qty.</b>	<b>Foot Note</b>	<b>Description</b>
1	9490220115	9		STEEL DISK
2	9188220012	1		PISTON BRAKE
3	9188220013	1		RING
4	A033580	16		SPRING
5	A033590	4		SPRING
6	9490220117	10		BRONZE DISK

ENU / 2016-01-08

**2. UPPERWORKS MACHINERY**  
**2.5.1 DRIVE PLANETARY SWING 140.96:1 (A165400) Rev B**

DRIVE PLANETARY SWING 140.96:1 (A165400) Rev B				
Pos.	Part	BOM Qty.	Foot Note	Description
1	9490220263	1		OUTPUT ASSEMBLY
1-1	9490220180	1		SHIM (137X160X22.75)
1-2	9794220033	2		SEAL, OIL
1-3	9754220042	1		NILOS RING
1-4	9754220055	1		O-RING A04764 PLANETARY
1-5	9490220183	1		RING NUT KM28 M140X2
1-6	9490220185	1		SHIM KIT A13794 PLANETARY
2	9490220466	1		GEAR, SUN 465518 PLANETARY
3	9490220159	1		GEAR, RING
4	9490220165	3		PIN
5	9490220166	6		WASHER
6	9490220167	3		WASHER
7	9490220168	3		PIN
8	9490220169	465		BEARING MCGI
9	9490220170	3		BOLT (M24X2X90 UNI5738 10.9)
10	9490220029	1		DESCRIPTION NOT AVAILABLE
11	9490220461	1		HOUSING, CONNECTION
12	9754220053	1		O-RING
13	9754220055	1		O-RING A04764 PLANETARY
14	9490220458	1		GEAR, SUN
15	9490220148	1		GEAR, RING (M4 Z69)
16	9490220150	1		DESCRIPTION NOT AVAILABLE
17	9490220457	1		CARRIER, PLANET
18	9490220459	3		GEAR, PLANET
19	9490220153	3		DESCRIPTION NOT AVAILABLE
20	9576101119	225		BEARING, NEEDLE
21	9490220205	1		RING,EXTERNAL SNAP 58 UNI 7435
22	9490221467	1	AU	COVER, CONNECTION
22-1	9490220136	1		HOUSING, FLANGE
22-2	9754220054	1		ORING
22-3	9754220053	1		O-RING
22-4	9576101141	4		PLUG 465516 GEARBOX
23	9490220066	162		BEARING, NEEDLE
24	9490220450	1		HOUSING, CONNECTION
25	9754220054	2		ORING
26	9490220031	2		PLUG, DIN 4655110 PLANETARY
27	9490220449	1		COUPLING
28	9490220467	1		EXT RETAINING RING GEARBOX
29	9490220205	1		RING,EXTERNAL SNAP 58 UNI 7435
30	9490221469	1		BRAKE ASSEMBLY, NEGATIVE
30-1	9490220114	1		SHAFT, BRAKE (RB)
30-2	9490220115	8		STEEL DISK

ENU / 2016-01-08

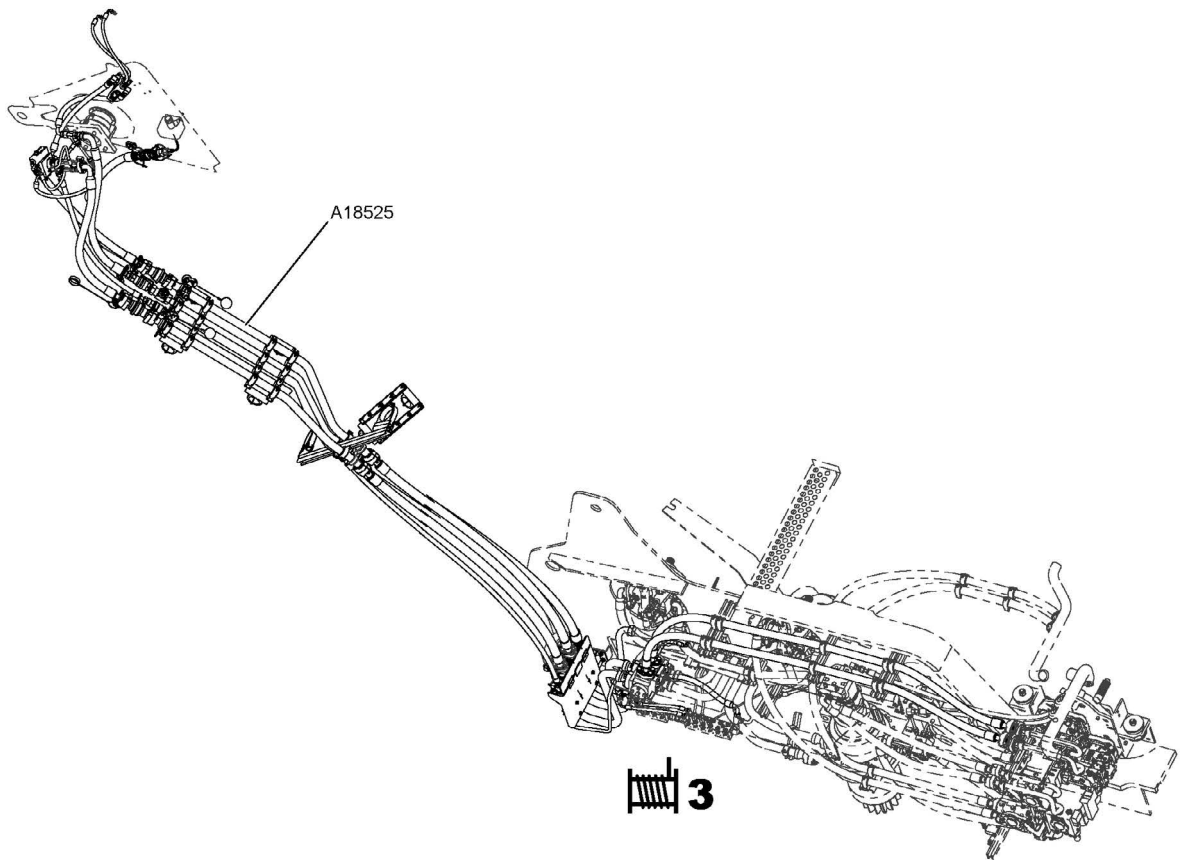
**2. UPPERWORKS MACHINERY**  
**2.6.2 CYL HYD 1.5" BORE X2.375" STROKE DBL ACT (3855980) Rev FA**

CYL HYD 1.5" BORE X2.375" STROKE DBL ACT (3855980) Rev FA				
Pos.	Part	BOM Qty.	Foot Note	Description
1	9372220172	1		WIPER, ROD
2	9372220173	1		O-RING
3	9372220175	2		U-CUP
4	9372220030	1		NUT, HEX
5	9372220176	1		POLY-PAK
6	9372220177	1		O-RING
7	9372220178	1		RING, BACK-UP
8	9372220179	2		PLUG
9	9372220032	1		CLEVIS, FEMALE
10	9372220033	1		PIN (1/2")
11	9372220034	1		PIN (5/8")
12	9372220035	2		PIN, COTTER
13	9372220036	1		PIN, COTTER
14	3855985	1	AU	SEAL KIT
14-1	9372220172	1		WIPER, ROD
14-2	9372220173	1		O-RING
14-3	9372220175	2		U-CUP
14-4	9372220176	1		POLY-PAK
14-5	9372220177	1		O-RING
14-6	9372220178	1		RING, BACK-UP
AU = PART NOT SHOWN				

ENU / 2016-01-08

2. UPPERWORKS MACHINERY  
2.8 PIPING HYD ASSY ROT BED F/R HOIST & TRVL (A164758) Rev AG

---



ENU / 2016-01-08

**2. UPPERWORKS MACHINERY**  
**2.8.3 VALVE LOOP FLUSHING (7034950) Rev C**

---

<b>VALVE LOOP FLUSHING (7034950) Rev C</b>				
<b>Pos.</b>	<b>Part</b>	<b>BOM Qty.</b>	<b>Foot Note</b>	<b>Description</b>
1	7034768	1		CARTRIDGE
2	7028595	1		SEAL KIT
3	7034767	1		CARTRIDGE, SEQUENCE
4	7026575	1		SEAL KIT

ENU / 2016-01-08

**2. UPPERWORKS MACHINERY**  
**2.9.1 Q DSCN FITTING HYD COUPLER 12ORB X-12 (3754390) Rev C**

---

<b>Q DSCN FITTING HYD COUPLER 12ORB X-12 (3754390) Rev C</b>				
<b>Pos.</b>	<b>Part</b>	<b>BOM Qty.</b>	<b>Foot Note</b>	<b>Description</b>
1	9364220156	1	AU	KIT, COUPLER SEAL
AU = PART NOT SHOWN				

ENU / 2016-01-08

**2. UPPERWORKS MACHINERY**  
**2.11 PIPING HYD ASSY W/DRUM #3 (A166112) Rev D**

---

PIPING HYD ASSY W/DRUM #3 (A166112) Rev D				
Pos.	Part	BOM Qty.	Foot Note	Description
100	A025420 → page 2-109	1		VALVE SOLENOID 2 POS 4 WAY SIZE D03 24V

ENU / 2016-01-08

**2. UPPERWORKS MACHINERY**  
**2.13.1 VALVE HYD SUN DBL C-BAL (7041130) Rev FA**

---

VALVE HYD SUN DBL C-BAL (7041130) Rev FA				
Pos.	Part	BOM Qty.	Foot Note	Description
1	7041136	2		CART.DOUBLE
2	9926107803	2		SEAL KIT

ENU / 2016-01-08

**2. UPPERWORKS MACHINERY**  
**2.16 PIPING HYD ASSY HOIST PAWL (A174001) Rev A**

PIPING HYD ASSY HOIST PAWL (A174001) Rev A				
Pos.	Part	BOM Qty.	Foot Note	Description
1	3455100	6		CLAMP TUBE 0.38 DIA SS
2	4284510	2		FITTING ADPTR .562-18UNF X .25 NPT
3	7447060801	2		FITTING ADAPTER STRAIGHT -60 X -80
4	7555102001	1		HOSE ASSY .25 ID X 20 LG
5	7555102201	1		HOSE ASSY .25 ID X 22LG
6	A174150	1		TUBE PREFORMED
7	A174160	1		TUBE PREFORMED

ENU / 2016-01-08

**2. UPPERWORKS MACHINERY**  
**2.17.3 Q DSCN FITTING HYD COUPL -20 ORB X -16 (3759510) Rev FA**

---

Q DSCN FITTING HYD COUPL -20 ORB X -16 (3759510) Rev FA				
Pos.	Part	BOM Qty.	Foot Note	Description
1	3759515	1		SEAL KIT

ENU / 2016-01-08

**2. UPPERWORKS MACHINERY**  
**2.18 PIPING HYD ASSY W/AUX DRUM PREP/EQUIP (A185252) Rev W**

<b>PIPING HYD ASSY W/AUX DRUM PREP/EQUIP (A185252) Rev W</b>				
<b>Pos.</b>	<b>Part</b>	<b>BOM Qty.</b>	<b>Foot Note</b>	<b>Description</b>
239	A185410	1		TUBE PREFORMED 2.00 OD X .25 WALL C1026
240	A185420	1		TUBE PREFORMED 2.00 ODX.25 W C1026
241	A185430	1		TUBE PREFORMED 1.50 OD X .095 WALL
242	A185440	1		TUBE PREFORMED .75 OD X .065 WALL C1010
243	A187420	1		FITTING SPECIAL 12 ORFS BLEED ADAPTER
244	A187450	1		FITTING SPECIAL 24 ORFS BLEED ADAPTER
245	A187460	2		FITTING SPECIAL 04 PORT BLEED ADAPTER
246	A186840	3		DUST PLUG #20
247	A186850	1		CAP DUST SIZE 20
248	5966920	4		O-RING 2.040 X 1.484 X .139
249	810160850	4		FLANGE SPLIT CODE 62 20 6.0 KSI

ENU / 2016-01-08

**2. UPPERWORKS MACHINERY**  
**2.18.5 Q DISCON FITTING COUPLER CODE 62 20 X 20 (A175230) Rev D**

---

<b>Q DISCON FITTING COUPLER CODE 62 20 X 20 (A175230) Rev D</b>				
<b>Pos.</b>	<b>Part</b>	<b>BOM Qty.</b>	<b>Foot Note</b>	<b>Description</b>
1	9364220170	1		O-RING
2	9364220174	1		O-RING

ENU / 2016-01-08

**2. UPPERWORKS MACHINERY**  
**2.20.1 VALVE DIRECTIONAL CNTRL 6SECT W/O RELIEF (A165750) Rev C**

---

<b>VALVE DIRECTIONAL CNTRL 6SECT W/O RELIEF (A165750) Rev C</b>				
<b>Pos.</b>	<b>Part</b>	<b>BOM Qty.</b>	<b>Foot Note</b>	<b>Description</b>
1	9926220480	1		KIT, INLET SECTION SEAL
2	9926220482	1		SEAL KIT A05635 VALVE
3	9926220484	1		HANDLE ASSY A05635 VALVE

ENU / 2016-01-08

**3. CONTROLS, ELECTRICAL**  
**3.3 ELEC CAB ASSY NORTH AMER STANDARD (810026567) Rev G**

---

<b>ELEC CAB ASSY NORTH AMER STANDARD (810026567) Rev G</b>				
<b>Pos.</b>	<b>Part</b>	<b>BOM Qty.</b>	<b>Foot Note</b>	<b>Description</b>
300	5725230	4		PLUG SEALING SIZE 12&16
301	A025790	1		PLUG ELEC 4 CONDUCTOR ADD WEDGE LOCK W4S WITH THIS PART.

ENU / 2016-01-08

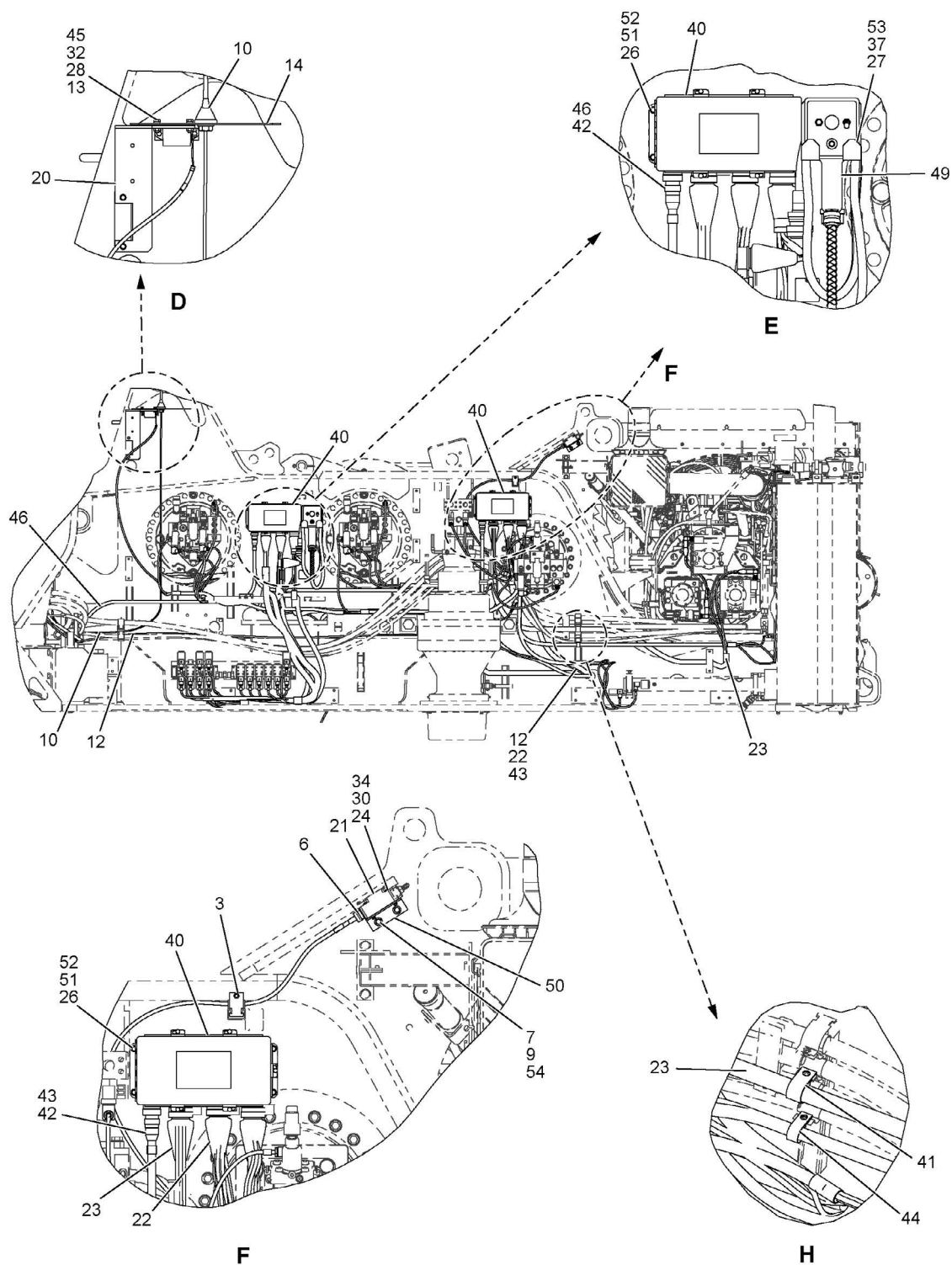
**3. CONTROLS, ELECTRICAL**  
**3.7 CONSOLE CNTRL ASSY OVERHEAD (810026662) Rev B**

<b>CONSOLE CNTRL ASSY OVERHEAD (810026662) Rev B</b>				
<b>Pos.</b>	<b>Part</b>	<b>BOM Qty.</b>	<b>Foot Note</b>	<b>Description</b>
1	81020059	1		NAMEPLATE OVERHEAD CONSOLE FRONT
2	810032810	1		NAMEPLATE OVERHEAD CONSOLE
3	7242100005	2		PLUG PANEL
4	7364100178	2		CARRIER ELECTRICAL
5	7364100182	1		BEZEL 6 G FLANGE LM6-01
6	7872100174	1		SWITCH WINDSHIELD WIPER W/INTERMIT 24VDC
7	7872100191	1		SWITCH ROCKER PANEL LIGHTS
8	7872100192	1		SWITCH ROCKER WORK LIGHTS
9	7872100193	1		SWITCH ROCKER BOOM HINGE PINS
10	7872100194	1		SWITCH ROCKER MAST ARMS
11	7872100207	1		SWITCH SKYLIGHT WIPER
12	7661130003	2		HEX NUT 5 8 ISO 4032
13	A007000	2		RELAY MICRO 10A, 24V WITH RESISTOR
14	A196490	4		F WASHER 5 ST ISO 7090
15	A200200	2		SLOT PMS 5 X 12 4.8

ENU / 2016-01-08

### 3. CONTROLS, ELECTRICAL

#### 3.11 ESI ROTATING BED WIRING (810165081) Rev D



ENU / 2016-01-08

**3. CONTROLS, ELECTRICAL**  
**3.11.2 BOOM STOP ASSY AUTOMATIC FOR #76 BOOM (A174331) Rev C**

<b>SWITCH ASSY BOOM TOP (810102319) Rev FA</b>				
<b>Pos.</b>	<b>Part</b>	<b>BOM Qty.</b>	<b>Foot Note</b>	<b>Description</b>
1	0017152	1		SPRING WASHER
2	0034392	1		SPRING 1 1/4 OD X 7 1/2 FREE HEIGHT
3	1768064 → page 3-41	1		BRACKET W/2-289797 BUSHING
4	1768082	1		COVER
5	1768092	1		SPRING WASHER
6	1768102	1		ROD ACTUATOR TY 174 STAINLESS STEE
9	3964010	1		PIN SPRING SLOT 1/4 DIA X 1.50 LG
11	4716820	1		CORD GRIP .50 NPT .312 TO .437 CHORD
12	810161350	1		SWITCH LIMIT
13	2972110	1 FT		CABLE WIRE 18 AWG XLPE TYPE TXL BLUE

ENU / 2016-01-08

**3. CONTROLS, ELECTRICAL**  
**3.14 ELEC CONTROL ASSY WITH AUTO LUBE (810165087) Rev D**

---

<b>ELEC CONTROL ASSY WITH AUTO LUBE (810165087) Rev D</b>				
<b>Pos.</b>	<b>Part</b>	<b>BOM Qty.</b>	<b>Foot Note</b>	<b>Description</b>
350	810165310	1		CABLE ELEC W46
351	3455100	1		CLAMP TUBE 0.38 DIA SS

ENU / 2016-01-08

**3. CONTROLS, ELECTRICAL**  
**3.16.1 SWITCH ASSY BLOCK UP LIMIT (1957499) Rev C**

<b>LEVER ASSY (1770804) Rev B</b>				
<b>Pos.</b>	<b>Part</b>	<b>BOM Qty.</b>	<b>Foot Note</b>	<b>Description</b>
1	177080001	1		LEVER CASTING
2	0700912	1		BUSHING .762IDX.942ODX1.25LG
3	4292590	1		FITTING 90 DEG 46756
4	5467630	1		HEX JAM NUT 3/8-16UNC GR 5
5	6124540	1		HHCS 3/8-16UNC X 1.00 GR5

ENU / 2016-01-08

**3. CONTROLS, ELECTRICAL**  
**3.17.1 SWITCH ASSY BLOCK UP LIMIT (1957499) Rev C**

SWITCH ASSY BLOCK UP LIMIT (1957499) Rev C				
Pos.	Part	BOM Qty.	Foot Note	Description
1	0012042	1		SPRING .75 X .105 WIRE 3.04
2	810152440	1		BOLT EYE 3/8-16 X 2.00 SS 0.25 EYE
3	1622712	1		COVER 6 X 7
4	1770762	1		BRACKET
5	1770804 → page 3-71	1		LEVER ASSY
6	810138430	1		CAP DUST MINI FAST MINI CHANG RECEPT
7	2528810	1		SHSS-L 3/4 X 1.50 A574
8	3636570	1		CONDULET IRON PULLING 1/2"
9	5896540	1		RECEPTACLE MALE 2 POLE 16 AWG MINI CHG
10	5386660	1		NAMEPLATE 195749
11	5434440	1		PIPE NIPPLE .50 DIA 1.50 LG X SCH 40 SST
12	6246330	1		SHACKLE ANCHOR LOOSE PIN GALV
13	810161270	1		SWITCH LIMIT
14	7091510	2		F WASHER SHIM 1.25 X 0.81 X .06 COPPER
15	6668560	1		CABLE TIE 8.0"
16	5467630	2		HEX JAM NUT 3/8-16UNC GR 5
17	810161360	1		SWITCH LIMIT ARM FIXED

ENU / 2016-01-08

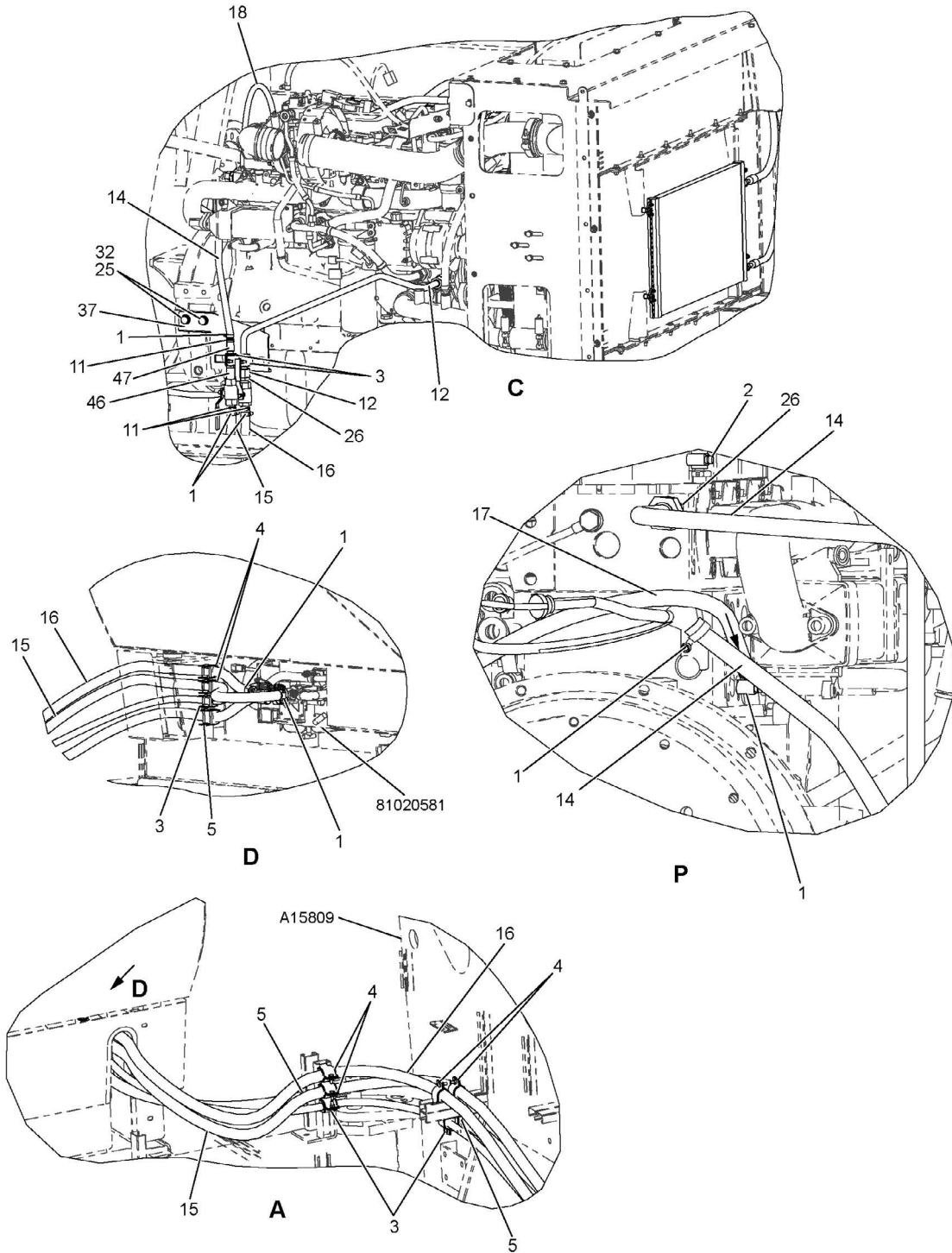
## 3.18.3 CONTROLLER JOYSTICK SINGLE AXIS W/INDICT (810087550) Rev B

CONTROLLER JOYSTICK SINGLE AXIS W/INDICT (810087550) Rev B				
Pos.	Part	BOM Qty.	Foot Note	Description
1	90016898	1		KIT, CONTROLLER
2	90016693	1		SOLENOID ASSEMBLY
3	90017499	1		HANDLE HALVES KIT 81008755 JOYSTICK
4	90016694	1		BOOT, THUMPER
5	90016068	1		BOOT, BOTTOM

## 4. POWER PLANT

POWER PLANT				
Pos.	Part	BOM Qty.	Foot Note	Description
750	810217801 ➡ page 4-3	1		POWER PLANT ASSY 340 HP QSL9 T4F
760	A097352 ➡ page 4-157	1		CLUTCH ASSY W/HOUSING AND GREASE PIPING
890	810217812 ➡ page 4-159	1		POWER PLANT ASSY LESS FREEFALL
1790	A158871 ➡ page 4-161	1		TANK FUEL ASSY

4. POWER PLANT  
 4.1.4 AIR CONDITIONER & HEATER ASSY QSL 340HP (810136971) Rev L



ENU / 2016-01-08

CLICK HERE TO **DOWNLOAD** THE COMPLETE MANUAL

- Thank you very much for reading the preview of the manual.
- You can download the complete manual from: [www.heydownloads.com](http://www.heydownloads.com) by clicking the link below



- Please note: If there is no response to CLICKING the link, please download this PDF first and then click on it.

CLICK HERE TO **DOWNLOAD** THE COMPLETE MANUAL

## 4.1.5 EXHAUST ASSY DEF SYSTEM INSTL QSL9 T4F (810203551) Rev E

TANK FUEL ASSY 10 GAL DEF (810219330) Rev C				
Pos.	Part	BOM Qty.	Foot Note	Description
1	90025391	1		MULTIFUNCTION HEAD
2	90026953	1		RING & SCREWS
3	90025444	1		KIT, LEVEL SENSOR
4	90025395	1		STRAINER, SUCTION
5	90025445	1		TANK & ADAPTER
6	90023818	1	AU	CAP ASSY.
7	90026956	1		PLUG, DRAIN
8	90026957	1		O-RING
AU = PART NOT SHOWN				

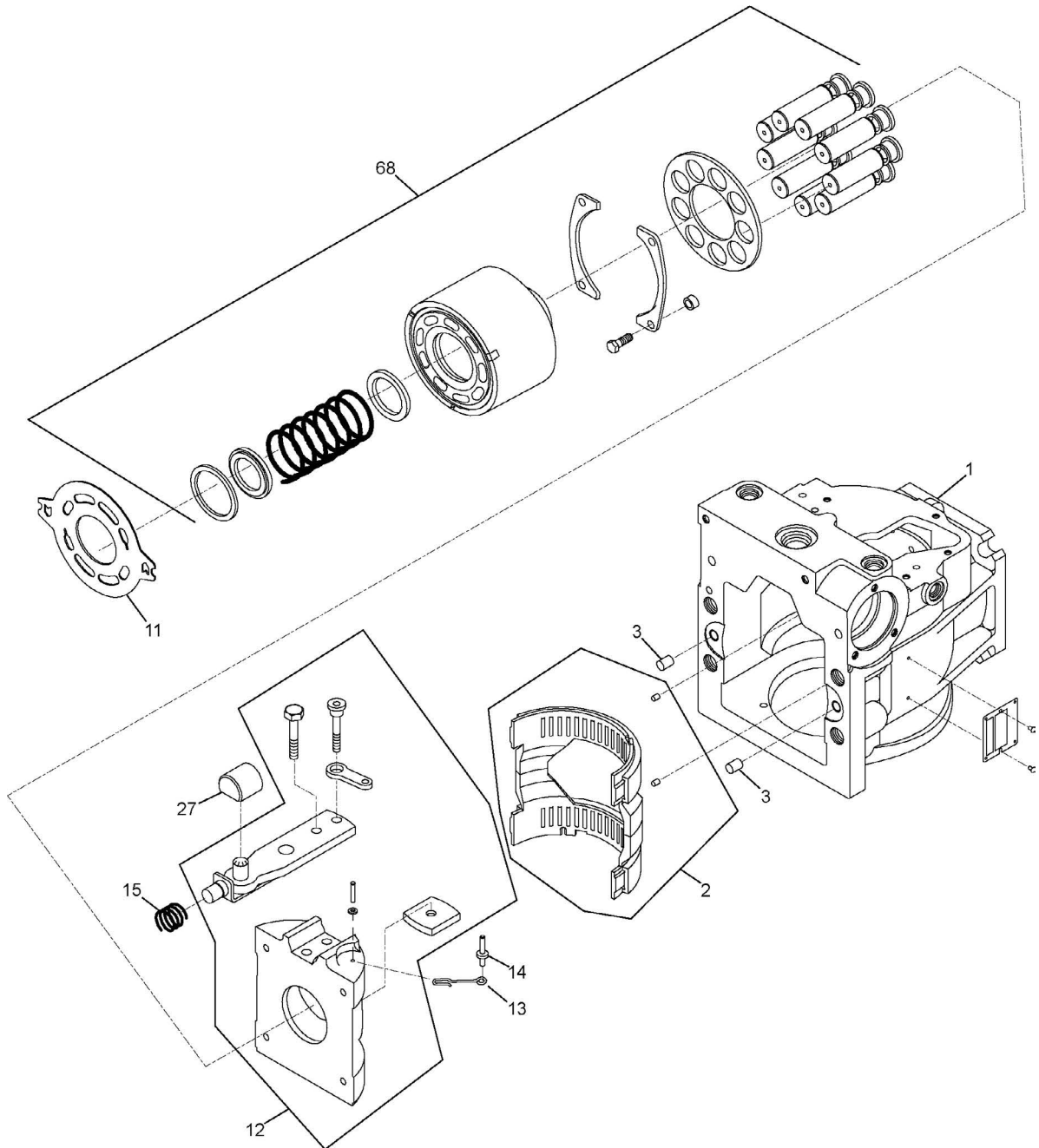
4. POWER PLANT

4.1.8 POWER PLANT ASSY QSL9T4F ENG/PUMP DRIVE (810217811) Rev A

DRIVE PUMP ASSY FREEFALL (810127022) Rev H				
Pos.	Part	BOM Qty.	Foot Note	Description
1	1706412	4		F WASHER SHIM 5.25 X 1.06 X .38 ST
2	2887520	1		BUSHING PIPE 3/4 X 3/8 SST
3	3772050	1		PIPE COUPLING .75 SST
4	4065740	1		PIPE ELBOW 45 DEG .75 SST
5	4299980	1		FITTING ADPTR 1-1/16-12UNF TO .75 NPTF
6	5367790	2		MOUNT 1.06" BORE
7	5435210	1		PIPE NIPPLE .75 DIA X 3.0 LG SCH 40 SST
8	5430510	1		PIPE NIPPLE .75 DIA X 8.25 LG SCH 40 SST
9	5483480	2		HEX LOCK NUT PA 1-8UNC GR 8
10	5827270 ➡ page 4-33	2		PUMP HYD PISTON VARIABLE 75 CC/REV
11	6126630	8		HHCS 5/8-11UNC X 1.75 GR 5
12	6184430	2		HHCS 1-8UNC X 6.00 GR 8
13	7097810	16		F WASHER 1/2 ST SAE
14	9700830	16		HHCS 1/2-13UNC X 1.50 GR 8
15	810055040	4		O-RING 4.74X0.103
16	810130882	2		BRACKET WELDMENT ENGINE MOUNT
17	A052400 ➡ page 4-39	1		PUMP HYD VARIABLE 100 CC/REV
18	7097470	8		F WASHER 5/8 ST F436
19	A164660 ➡ page 4-70	1		DRIVE PUMP 3 PAD
21	A168820 ➡ page 4-74	1		PUMP HYD VARIABLE 100 CC/REV
22	A188811 ➡ page 4-97	1		DIPSTICK OIL ASSY
300	7097810	8		F WASHER 1/2 ST SAE
301	9700830	8		HHCS 1/2-13UNC X 1.50 GR 8
302	810055040	2		O-RING 4.74X0.103
303	A165760 ➡ page 4-99	2		PUMP HYD VARIABLE 75 CC/REV 90

ENU / 2016-01-08

4. POWER PLANT  
4.1.8 POWER PLANT ASSY QSL9T4F ENG/PUMP DRIVE (810217811) Rev A



ENU / 2016-01-08

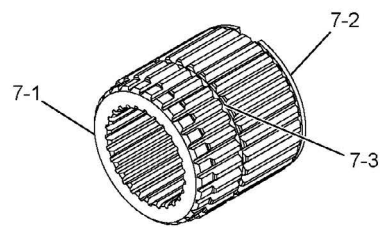
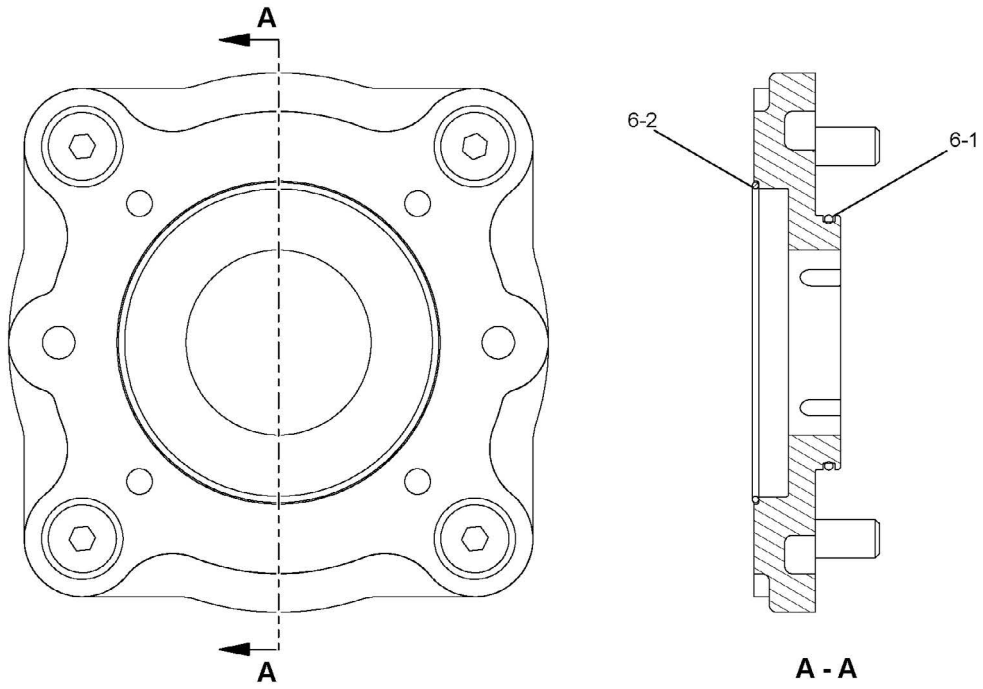
## 4.1.8 POWER PLANT ASSY QSL9T4F ENG/PUMP DRIVE (810217811) Rev A

---

END CAP ASSEMBLY (TWIN PORTS) (9722220554)				
Pos.	Part	BOM Qty.	Foot Note	Description
1	9722220555	1		BEARING, JOURNAL
2	9722220107	1		BUSHING

## 4.1.8 POWER PLANT ASSY QSL9T4F ENG/PUMP DRIVE (810217811) Rev A

CYLINDER BLOCK ASSEMBLY (9722220562)				
Pos.	Part	BOM Qty.	Foot Note	Description
1	9722220563	1		SPRING
2	9722220564	1		SEAT, SPRING
3	9722220565	1		RETAINER, SPRING
4	9722220566	1		RING, RETAINING



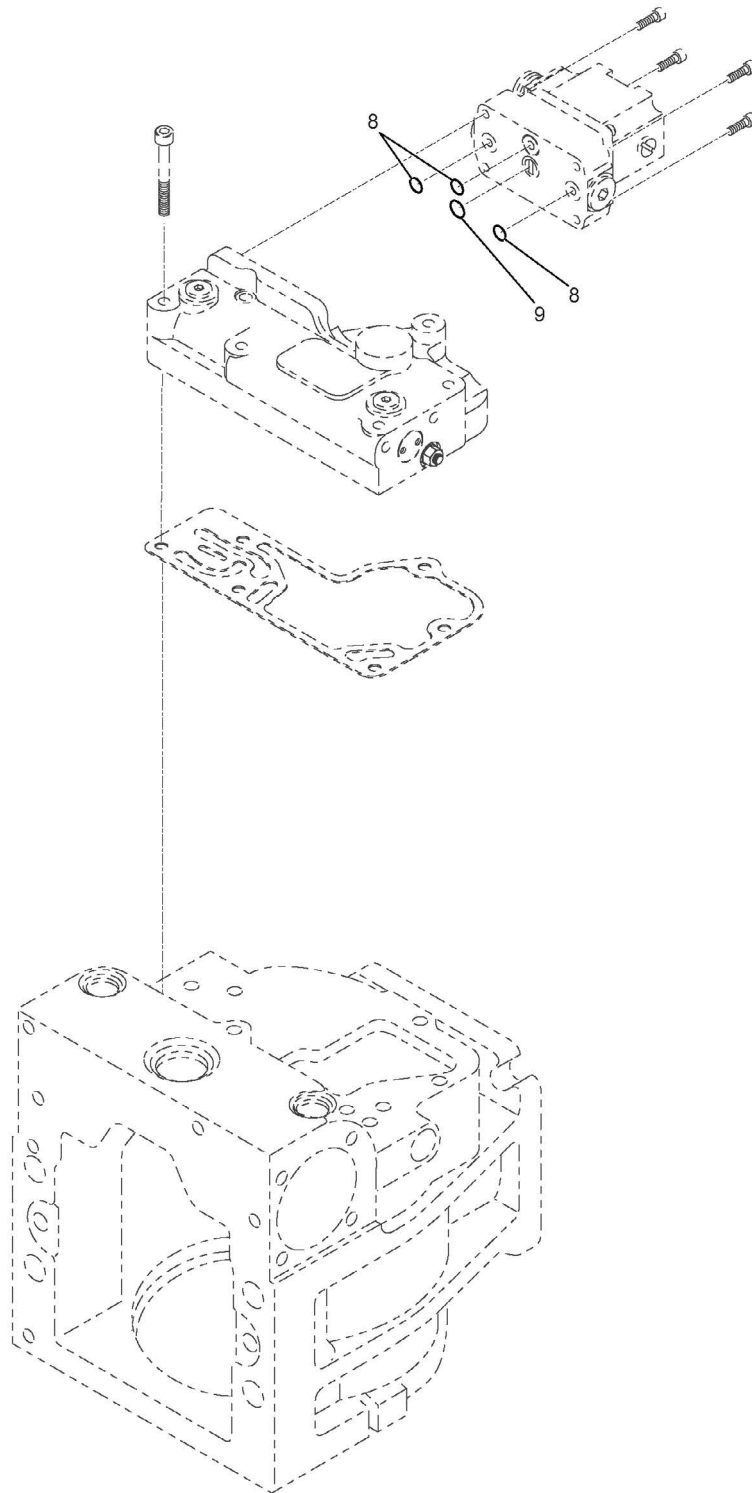
## 4.1.8 POWER PLANT ASSY QSL9T4F ENG/PUMP DRIVE (810217811) Rev A

---

KIT, SERVO PISTON (9722220550)				
Pos.	Part	BOM Qty.	Foot Note	Description
1	9722220551	2		O-RING
2	9722220552	2		RING, PISTON







ENU / 2016-01-08

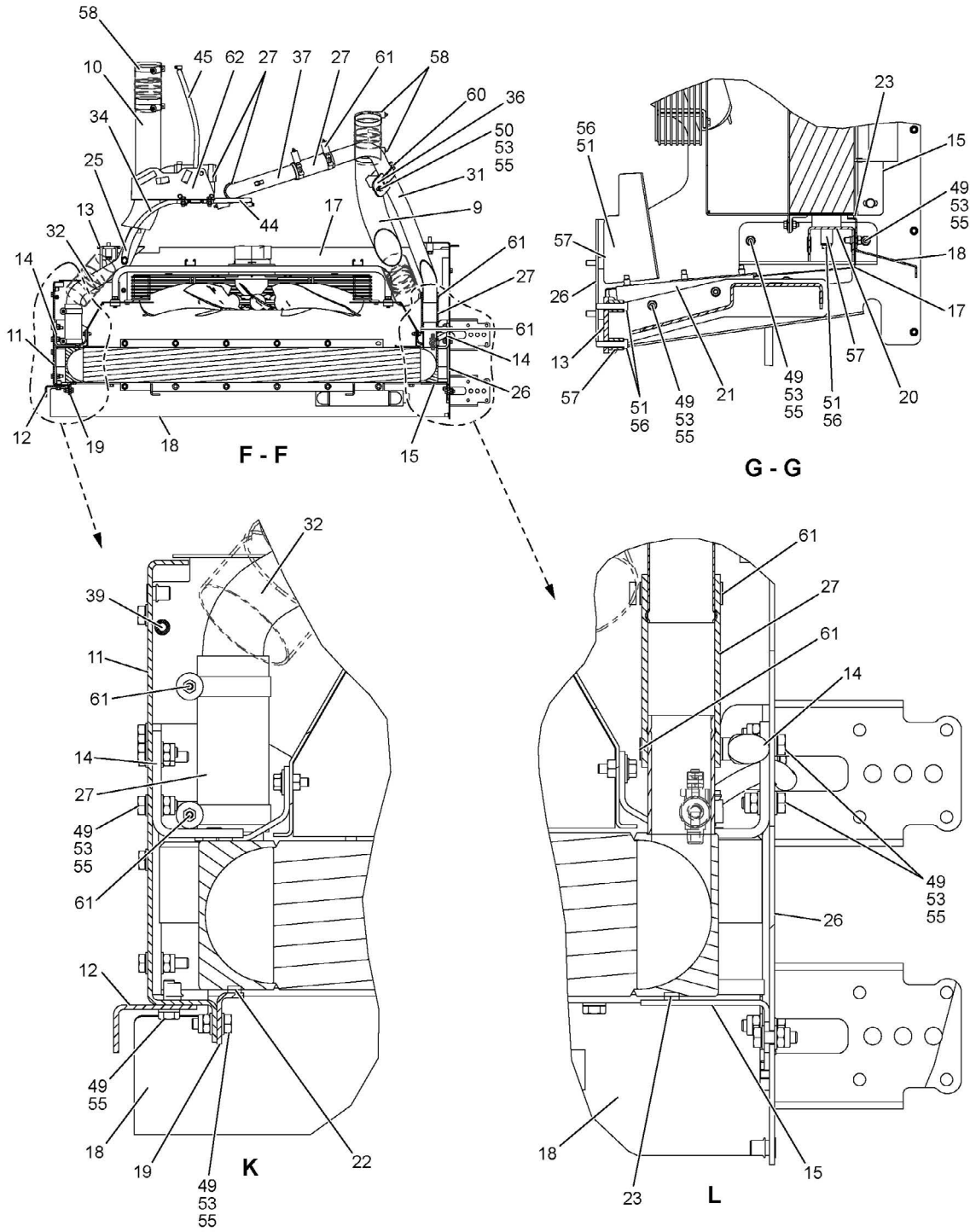
4. POWER PLANT

4.1.8 POWER PLANT ASSY QSL9T4F ENG/PUMP DRIVE (810217811) Rev A

ENGINE 340 HP QSL9 T4F (810193350) Rev C				
Pos.	Part	BOM Qty.	Foot Note	Description
1	A179240	1		HYD FILTER ELEMENT
2	90026678	1		KIT SERVICE 500 HR 14000 T4F
2-1	90026681	1		FUEL FILTER ENGINE PRIMARY
2-2	90024700	1		FUEL FILTER ENGINE SECONDARY
2-3	4136240	1		FILTER ENGINE WATER
2-4	A104130	1		FILTER ENGINE OIL
3	90026679	1		KIT SERVICE 1000 HR 14000 T4F
3-1	A179240	1		HYD FILTER ELEMENT
3-2	90026681	1		FUEL FILTER ENGINE PRIMARY
3-3	90024700	1		FUEL FILTER ENGINE SECONDARY
3-4	4136240	1		FILTER ENGINE WATER
3-5	A104130	1		FILTER ENGINE OIL
3-6	90019453	1		FILTER AIR PRIMARY
4	90026680	1		KIT SERVICE 2000 14000 T4F
4-1	A179240	1		HYD FILTER ELEMENT
4-2	90026681	1		FUEL FILTER ENGINE PRIMARY
4-3	90024700	1		FUEL FILTER ENGINE SECONDARY
4-4	4136240	1		FILTER ENGINE WATER
4-5	A104130	1		FILTER ENGINE OIL
4-6	90019453	1		FILTER AIR PRIMARY
4-7	90019454	1		AIR FILTER ASSY SECONDARY
4-8	9414101744	1		BELT ALTERNATOR
5	A053600	1	AU	KIT SINGLE-USE COOLANT ADD TEST
AU = PART NOT SHOWN				

ENU / 2016-01-08

4. POWER PLANT  
 4.1.9 COOLER ASSY 340 HP QSL9 T4F (810217821) Rev A



ENU / 2016-01-08

**4. POWER PLANT**  
**4.1.9 COOLER ASSY 340 HP QSL9 T4F (810217821) Rev A**

---

<b>MOTOR HYDR PISTON FIXED (810118760)</b>				
<b>Pos.</b>	<b>Part</b>	<b>BOM Qty.</b>	<b>Foot Note</b>	<b>Description</b>
1	90022125	1		SEAL, SCREW
2	90022126	2		COVER, FLANGE
3	90022127 ▶ page 4-143	1		MOTOR COMPONENTS

ENU / 2016-01-08


4. POWER PLANT

4.1.10 ESI 24VDC ENG WIRING T4F (810223101) Rev B

ESI 24VDC ENG WIRING T4F (810223101) Rev B				
Pos.	Part	BOM Qty.	Foot Note	Description
1	3342080	1 FT		CHAIN JACK STAINLESS #16 (100' COIL
2	3455100	1		CLAMP TUBE 0.38 DIA SS
3	3455160	1		CLAMP TUBE 1.50 DIA
4	5460550	3		HEX NUT 10-24UNC STEEL
5	5503230	1		RING SPLIT KEY 1.375"ODX1.159"ID ZI
6	6123500	1		HHCS 1/4-20UNC X 0.38 GR5
7	6148340	3		SHCS 10-24UNC X 0.75 A574
9	7107720	2		L WASHER I/E-T 1/4 ST B18.21.1
10	2974060	1		CABLE ELEC BRAIDED GROUND STRAP
11	810153250	3		RETAINER P-CLIP .375 DIA
12	810241550	1		WIRING HARNESS ENGINE T4F
13	810241640 ➡ page 4-153	1		BOX JUNCTION AFTERTREATMENT
14	810241662	1		BRACKET AFTER TREATMENT JUNCTION BOX
15	810241990	1		WIRING HARNESS AFTERTREATMENT T4F
16	810242540	1		C BRK 150A 48VDC
17	7126151053	1		HHCS M6X16 8.8 FLZN 4017
18	7126151153	5		HHCS M6X20 8.8 FLZN 4017
19	7126151156	16		HSERGS 6 X 20 8.8
20	7126171253	9		HHCS M8X25 8.8 FLZN 4017
21	7126191153	1		HHCS M10X20 8.8 FLZN 4017
23	7661150003	5		HEX NUT M6 8FLZN ISO4032
24	7661170003	10		HEX NUT M8 8FLZN ISO4032
26	7951150014	6		F WASHER 6 ST ISO 7089
27	7951170014	4		F WASHER 8 ST ISO 7089
28	7951190014	18		F WASHER 10 ST ISO 7089
29	7951190210	1		L WASHER 10 ST DIN 7980
31	A011147 ➡ page 4-155	1		BOX JUNCTION ASSY GRID HEATER
32	A015990	6		RETAINER P-CLIP FOR 0.50 DIA
33	A017500	5		RETAINER P-CLIP FOR 0.81 DIA
34	A034340	1		CABLE ELEC WCP
35	A106940	1		SWITCH DISCONNECT 24V 2500A
36	A162769	1		CONTROLLER ENGINE NODE
37	A166440	1		CABLE ELEC WBC
38	A175070	1		PLUG ELEC RIN SYSTEM TERMINATOR
39	A175982	1		BRACKET CONTROL SYSTEM DISCONNECT
40	A183310	16		HEX KEPS LNUT 6 8 DIN 267
41	A183320	16		L WASHER COUNTERSUNK E-T 1/4 ST B18.21.1

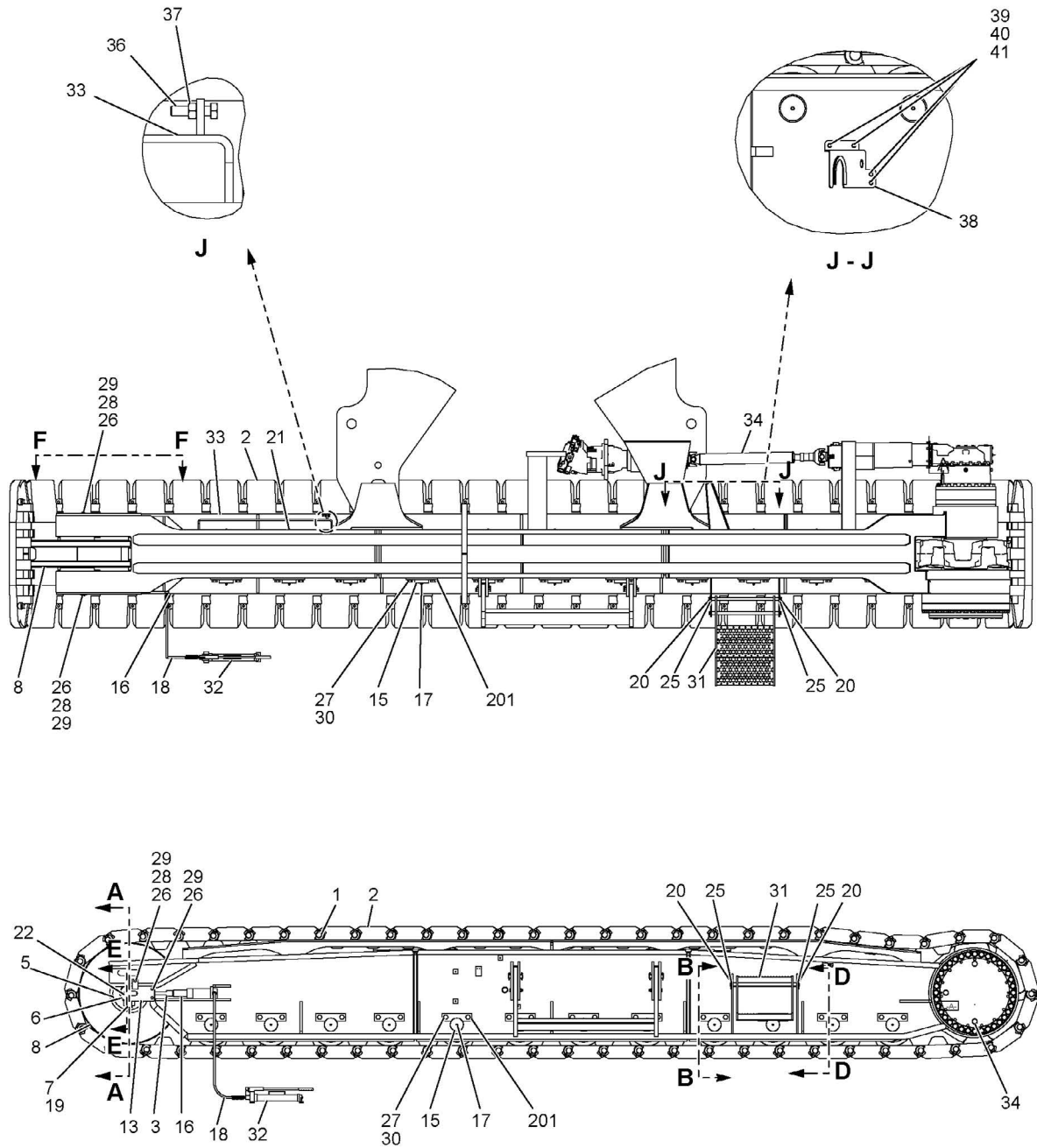
ENU / 2016-01-08

**4. POWER PLANT**  
**4.4 TANK FUEL ASSY (A158871) Rev E**

TANK FUEL ASSY (A158871) Rev E				
Pos.	Part	BOM Qty.	Foot Note	Description
1	3550090	1		COCK-STEAM 1.00 SQUARE HEAD - 125#
2	4069280	1		PIPE ELBOW 90 DEG STREET 1.00 SST
3	5434060	1		PIPE NIPPLE 1.00 DIA X 1.50LG SCH 40 SST
4	5661470	1		PIPE NIPPLE TOE 1" X 3" HVY DUTY BLACK
5	7127211753	8		HHCS M12X50 10.9 FLZN4017
6	7661210004	8		HEX NUT M12 10FLZN ISO4032
7	7951210014	16		F WASHER 12 ST ISO 7089
8	7951210210	16		L WASHER 12 ST DIN 7980
9	A166012  page 4-163	1		TANK FUEL ASSY AS PURCHASED
11	7126211553	8		HHCS M12X40 8.8 FLZN 4017
12	A181192	8		SHIM 6.0 MM

ENU / 2016-01-08

5. LOWERWORKS  
 5.1.1 CRAWLER ASSY (A159076) Rev N



ENU / 2016-01-08

**5. LOWERWORKS**  
**5.1.1 CRAWLER ASSY (A159076) Rev N**

---

<b>PUMP HYD HAND PUMP (A041430)</b>				
<b>Pos.</b>	<b>Part</b>	<b>BOM Qty.</b>	<b>Foot Note</b>	<b>Description</b>
1	A041435	1		KIT, PACKING

ENU / 2016-01-08

**5. LOWERWORKS**  
**5.1.1 CRAWLER ASSY (A159076) Rev N**

<b>PLANETARY CARRIER ASSEMBLY (90014583)</b>				
<b>Pos.</b>	<b>Part</b>	<b>BOM Qty.</b>	<b>Foot Note</b>	<b>Description</b>
1	9490220484	1		CARRIER, 3RD STAGE PLANET (OUT
2	9490220486	4		3RD STAGE GEAR 465511 PLANETARY
3	9490220489	4		PIN, DOWEL
4	9490220492	1		RING, EXTERNAL
5	9490220495	1		O-RING
6	9490220169	620		BEARING MCGI
7	9490220501	4		BOLT, HEX HD (M20X90)

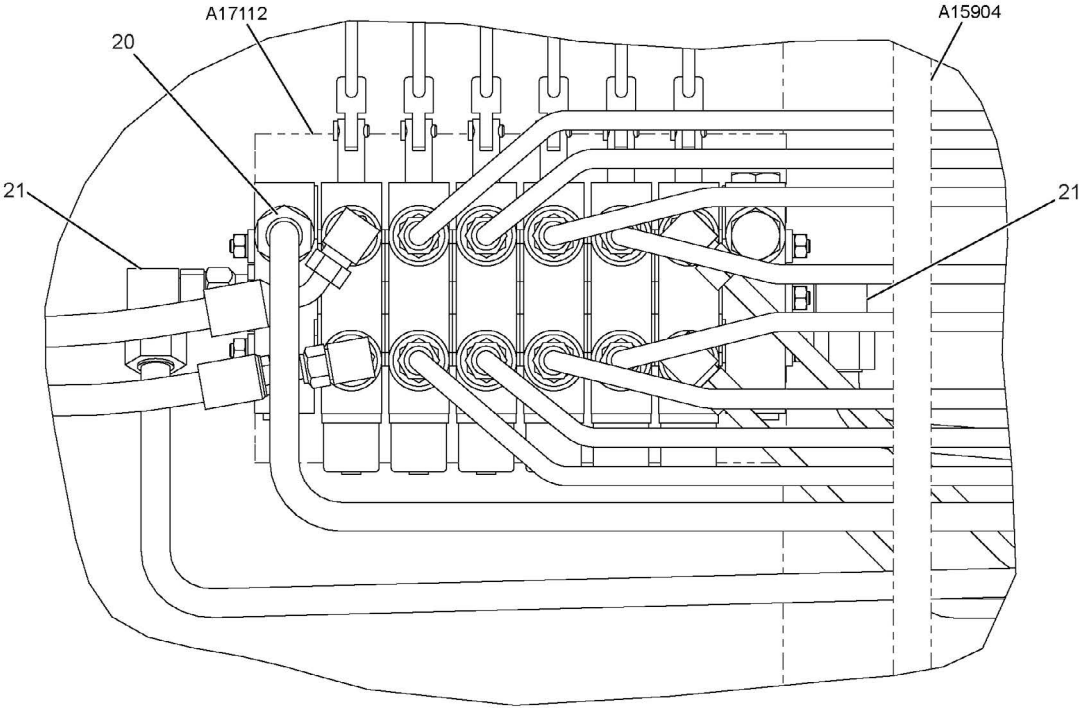
ENU / 2016-01-08

**5. LOWERWORKS**  
**5.1.1 CRAWLER ASSY (A159076) Rev N**

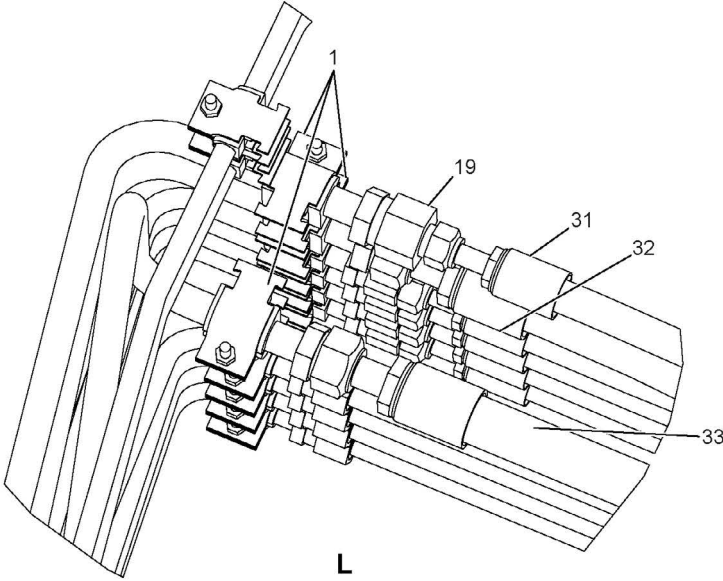
<b>GEAR BOX PLANETARY FINAL (A167430) Rev H</b>				
<b>Pos.</b>	<b>Part</b>	<b>BOM Qty.</b>	<b>Foot Note</b>	<b>Description</b>
1	9490220669	2		O-RING GEARBOX
2	9490221446	1		SEAL, O-RING
3	9490221448	15		WASHER
4	9490221450	2		WASHER A16743 PLANETARY
5	9490220679	2		PLUG A16743 GEARBOX
6	9490221464	1		KIT, SEAL
6-1	9490220669	2		O-RING GEARBOX
6-2	9490221446	1		SEAL, O-RING

ENU / 2016-01-08

5.1.3 PIPING HYD ASSY CARBODY W/NO BRAKE USH (A186281) Rev D



K



L

ENU / 2016-01-08

## 5.1.5 MOUNT MOTOR ASSY TRAVEL DRIVE (810195541) Rev B

BRAKE TRAVEL (2721420) Rev FA				
Pos.	Part	BOM Qty.	Foot Note	Description
1	9810220004	1		SHAFT, EXTENDED
2	9188220033	1		PLATE, LOCK
3	9188220034	1		FLANGE, DRIVE SHAFT
4	9188220035	2		RING, EXTERNAL SNAP (55)
5	9490220345	3		RING, EXTERNAL SNAP (125 UNI)
6	9188220019	1		SEAL, OIL
7	9188220036	1		KEY (14X9X60)
8	02251533	1		BEARING
9	9490220033	2		BOLT
10	9188220037	1		BOLT, HEX (M12X35)
11	9490220418	1		O-RING
12	2721470 ➡ page 5-57	1		BRAKE
13	2721425 ➡ page 5-59	1	AU	BRAKE SEAL PLUS DISK KIT
AU = PART NOT SHOWN				

ENU / 2016-01-08

## 5.3.2 CYL HYD 42.00 STROKE DOUBLE ACTING (810017760) Rev FA

CYL HYD 42.00 STROKE DOUBLE ACTING (810017760) Rev FA				
Pos.	Part	BOM Qty.	Foot Note	Description
1	9372220189	1		ROD
2	9372220191	1		WIPER, ROD
3	90023168	1		SEAL, ROD
4	9372220193	2		WEAR-RING, HEAD
5	90001205	1		RING, BACK-UP
6	90001206	1		O-RING
7	9372220194	1		HEAD 385645 HYD CYLINDER
8	9372220195	1		WIPER, ROD
9	90023169	1		SEAL, ROD
10	9372220197	1		BACK-UP RING
11	9372220198	1		O-RING
12	9372220199	2		HEAD WEAR RING
13	9372220200	2		PISTON WEAR RING
14	9372220201	1		PISTON RING 81001776 HYD CYL
15	9372220203	1		O-RING
16	9372220204	2		PISTON WEAR RING
17	90017155	1		RING, PISTON
18	9372220014	1		ADAPTER, STRAIGHT
19	9372220013	1		ADAPTER, 90 DEG
20	9372220533	2		PLUG (SAE 8) 385609 HYD CYLINDER
21	9372220009	2		PLUG (SAE-4)
22	9372221022	1		CARTRIDGE, C'BAL VALVE (3500)
23	7026575	1		SEAL KIT
24	9372221023	1		CARTRIDGE, C'BAL VALVE (1000)
25	7026575	1		SEAL KIT
26	9372220282	1		VALVE, INLINE CHECK
27	9372220008	1		O-RING
28	90001207 ▶ page 5-77	1	AU	KIT, SEAL
AU = PART NOT SHOWN				

**6. ATTACHMENTS**  
**6.1 UPPER BOOM POINT ASSY (1704191) Rev L**

UPPER BOOM POINT ASSY (1704191) Rev L				
Pos.	Part	BOM Qty.	Foot Note	Description
1	0743369	1		PIN 2 HOLE 2.250 DIA X 3.81 LG
2	1698102	2		PLATE KEEPER .500 THICK
3	1698362	1		SHAFT 5.000 DIA X 5.44 LG
4	1698372	1		SPACER
5	1706772	1		SPACER
6	1742082	1		POINT BOOM UPPER FRAME
7	1755414	1		ROLLER W/289796 BUSHING
8	1948632	1		PIN W/HD 2.25 DIA
9	1965382	1		PIN 2.25 DIA
10	2251050	2		BEARING LOCKNUT 4.716-12UNC-2A AN-24
11	2251110	1		BEARING LOCK WASHER 4.801 W-24
12	2897960	2		BUSHING 1.3 X 7/8 X 7/8
13	5483460	1		HEX LOCK NUT PA 3/4-10UNC GR C
14	5621500	1		PIN COTTER 3/8 DIA X 3.00 LG
15	810282382	5		SNAPPER PIN .38 DIA X 3.00 LG
16	5638740	1		PIN 1 HOLE W/HD 1.50 DIA X 3.30 LG
17	6127150	4		HHCS 3/4-10UNC X 1.50 GR
18	6127430	1		HHCS 3/4-10UNC X 6.00 GR 5
19	7103080	4		L WASHER MEDIUM 3/4 ST B18.21.1
20	5638230	2		PIN SAFETY .25 DIA X 1.75 LG
21	A079362	1		GUARD WIRE ROPE 1.00 DIA X 6.00
202	1712501 ➡ page 6-5	1		SHEAVE ASSY 30" DIA 1.125" ROPE
204	6462460 ➡ page 6-7	1		SOCKET/WEDGE ASSY 1.00"
206	810077062	1		LINK ADAPTER

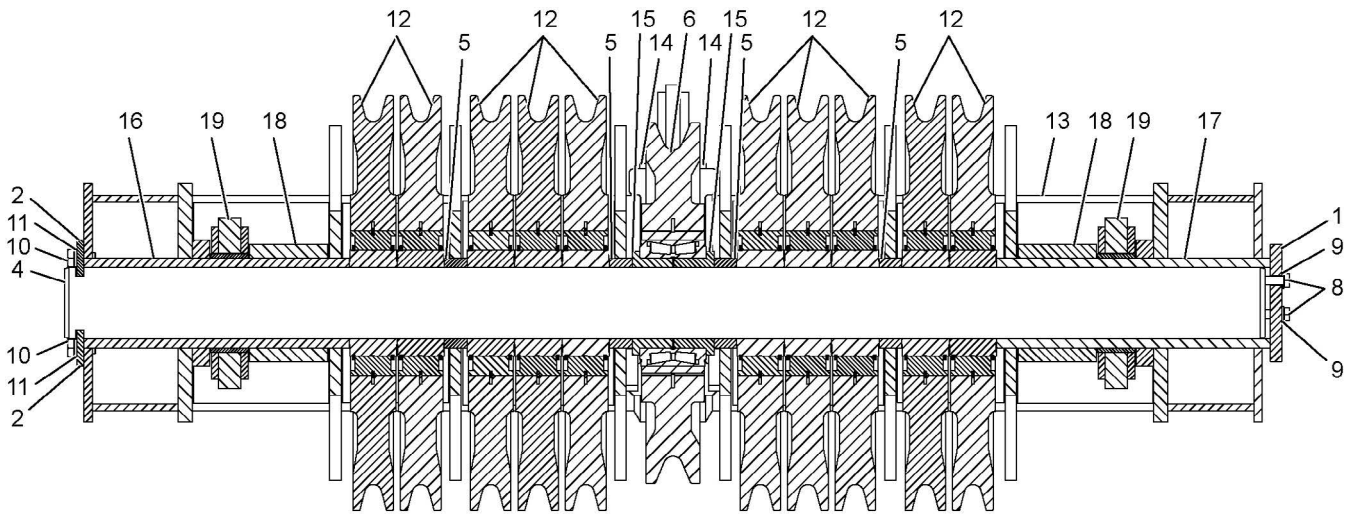
ENU / 2016-01-08

## 6.3.1 SOCKET/WEDGE ASSY 1.00" (6462460) Rev C

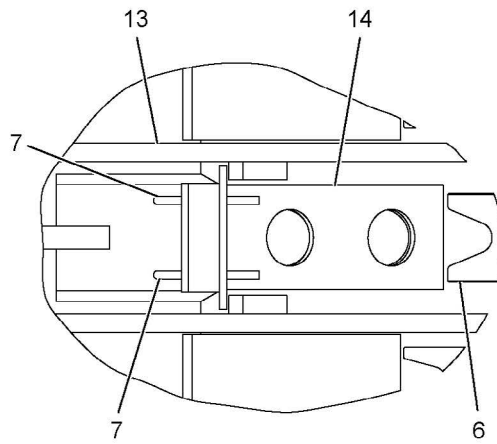
---

SOCKET/WEDGE ASSY 1.00" (6462460) Rev C				
Pos.	Part	BOM Qty.	Foot Note	Description
1	9826220012	1		SOCKET (1")
2	9914100033	1		PIN W/COTTER
3	9826220014	1		WEDGE 1"
4	7312800000	1		CLIP

6. ATTACHMENTS  
6.7.1 MAST LIVE ASSY (A158151) Rev E



A - A



B

ENU / 2016-01-08

## 6.7.2 CYL HYD 4.00 BORE X 53.00 STROKE (A161360) Rev D

KIT, SEAL (9372221086)				
Pos.	Part	BOM Qty.	Foot Note	Description
1	9372221081	1		WIPER, ROD
2	9372221082	1		POLYPAK
3	9372221111	2		RING, WEAR (HEAD)
4	9372220253	1		RING, BACK-UP
5	9372220250	1		O-RING
6	9372220403	1		O-RING
7	9372220252	2		RING, WIPER
8	90012671	1		SEAL, PISTON

## 6.8.3 INDICATOR BOOM FLANGE ASSY (1687791) Rev FA

INDICATOR BOOM FLANGE ASSY (1687791) Rev FA				
Pos.	Part	BOM Qty.	Foot Note	Description
1	1687742	1		PIN (NO HOLES) W/HD .875 DIA X .94 LG
2	1687752	1		PLATE .50 THK
3	1687762	1		GUARD 16 GA (.059) SHT
4	1687772	1		PLATE MOUNTING .25 THK
5	1687782	1		INDICATOR DIAL BOOM FLANGE INDICATOR
6	2241950	1		BEARING BALL 1.85 X .79 X .55

## 6.9.2 BOOM POINT LOWER ASSY BOOM #76 (A166409) Rev H

---

SHEAVE ASSY 30" DIA FOR 1.00"ROPE CAST (81033848) Rev A				
Pos.	Part	BOM Qty.	Foot Note	Description
1	1938232	1		SHEAVE
2	2250190	1		BEARING TAPER ROLLER 7.19 X 5.00 X 3.69
3	6227720	2		SEAL OIL 6.1095 X 7.1875 X .375

6.14 ARRANGEMENT W/(2) SHEAVES IN BOOM PT (A166402) Rev H

ARRANGEMENT W/(2) SHEAVES IN BOOM PT (A166402) Rev H				
Pos.	Part	BOM Qty.	Foot Note	Description
200	1706692	2		SPACER
201	81033848 ──▶ page 6-65	2		SHEAVE ASSY 30" DIA FOR 1.00"ROPE CAST

ENU / 2016-01-08

**6. ATTACHMENTS**  
**6.16.2 CONTROLLER ASSY WIND SPEED (A180590) Rev E**

<b>CONTROLLER ASSY WIND SPEED (A180590) Rev E</b>				
<b>Pos.</b>	<b>Part</b>	<b>BOM Qty.</b>	<b>Foot Note</b>	<b>Description</b>
1	2972310	1 FT		CABLE WIRE 16 AWG XLPE TYPE GXL BLACK
2	3046450	1		CAP DUST SIZE 16 RECEPTACLE
3	3046510	1		CAP SEAL RECEPTACLE SIZE 14
4	A19079	1		CONTROLLER REMOTE INPUT NODE
5	5724140	1		PLUG SEALING
6	5899670	1		RECEPTACLE 3 POLE MALE 0 KEY
7	6184040	2		SLOT RMS 4-40UNC X 0.31 SS
8	6564520	4		STANDOFF MALE/FEMALE .31" HEX 1.13" LG
9	656453	4		MALE-FEMALE STANDOFF 4581-1032-S-O
10	A137640	1		RECEPTACLE 3 SIZE 16 SOCKET CONTACTS
11	A17805	1		BOARD PRINTEDCIRCUIT WIND SPEED ANALOG O
12	A18060	1		ENCLOSURE WINDSPEED CONTROLLER
13	A180612	1		PANEL ENCLOSURE WIND SPEED CNTRLLR ASSY
14	A18062	1		DECAL WIND SPD CONTROLLER
15	A186670	2		STANDOFF #4-40 UNC M/F 3/8" LG NYLON
16	5460780	2		HEX NUT 4-40UNC STEEL
17	81012611	1		CONTROLLER REMOTE SOFTWARE

ENU / 2016-01-08

## 6.17.2 SOCKET/WEDGE ASSY 7/8" (6462450) Rev A

SOCKET/WEDGE ASSY 7/8" (6462450) Rev A				
Pos.	Part	BOM Qty.	Foot Note	Description
1	9826220008	1		SOCKET (7/8")
2	9826220009	1		PIN, SOCKET (7/8")
3	7132650	1		WEDGE TERMINATOR
4	9826220010	1		CLIP, WIRE ROPE (7/8")
5	9826220011	1		PIN, COTTER

## 6.17.4 LINK ASSY CWT HANDLING RH (A161624) Rev A

---

LINK ASSY CWT HANDLING RH (A161624) Rev A				
Pos.	Part	BOM Qty.	Foot Note	Description
2	2900370	1		BUSHING 100 MM X 110MM X 76MM

**6. ATTACHMENTS**  
**6.17.9 CYL HYD ASSY (A197951) Rev B**

<b>CYL HYD ASSY (A197951) Rev B</b>				
<b>Pos.</b>	<b>Part</b>	<b>BOM Qty.</b>	<b>Foot Note</b>	<b>Description</b>
1	5621520	2		PIN COTTER 3/8 DIA X 4.00 LG
3	7126241453	4		HHCS M16X35 8.8 FLZN 4017
4	7951240210	4		L WASHER 16 ST DIN 7980
5	A165822	1		PIN KEEPER 76.2 DIA X 157 LG
6	A165852	2		PLATE KEEPER 10 MM THK
7	A194990 → page 6-105	1		CYL HYD 8.0" BORE X 42.0" STROKE
8	810046002	1		PIN 2 HOLE 50.8 DIA X 148.5 LG

ENU / 2016-01-08

1768562 (DECAL (EN) WARNING CRUSH HAZARD) . . . . .	1-122	1793152 (COVER GEAR) . . . . .	2-56
1768662 (DECAL (EN) WARNING FALLING BOOM HAZARD) . . . . .	1-122	1846799 (DECAL HAND SIGNAL) . . . . .	1-122
1768692 (COVER PLATE FOR SWITCH HOUSING) . . . . .	3-44	1927242 (WEDGE ANCHOR 1.00" WIRE ROPE) . . . . .	2-40
1768822 (DECAL (EN) WARNING OPERATORS MANUAL) . . . . .	1-122	1938232 (SHEAVE) . . . . .	6-54, 6-66
1769052 (DECAL (EN) WARNING FALLING MAST HAZARD) . . . . .	1-122	1948632 (PIN W/HD 2.25 DIA) . . . . .	6-4
1769279 (DECAL (EN) ASME B30.5 REQ) . . . . .	1-122	1952919 (DRUM BOOM HOIST (CASTING)) . . . . .	2-20
1770569 (PIN 2 X 10 PLATED) . . . . .	1-121	1954222 (MANIFOLD BLOCK BLACK ZINC) . . . . .	2-84
1770762 (BRACKET) . . . . .	3-58, 3-70	1954282 (COLLAR) . . . . .	5-38
177080001 (LEVER CASTING) . . . . .	3-60, 3-72	1954292 (ROD CONNECTING 2.750 DIA X 25.44 LG) . . . . .	5-38
1770804 (LEVER ASSY) . . . . .	3-58, 3-70	1954302 (PIN 1 HOLE W/HD 5.500 DIA X 10.16 LG) . . . . .	5-38
1771072 (SLEEVE 7.90 OD X 4.50 ID) . . . . .	6-50	1954712 (BOOM STOP GUIDE BAR 1.50 DIA X 17.25 LG) . . . . .	6-42
1771082 (F WASHER SHIM 8.0 X 5.78 X .13 PH BRONZE) . . . . .	6-50	1955212 (ADAPTER DRUM) . . . . .	2-40
1771092 (SHAFT 1 1/4-7UNC X 47.25 GR 5) . . . . .	6-50	1955412 (RETAINER SEAL) . . . . .	2-40
1771102 (GUARD WIRE ROPE) . . . . .	6-50	1955422 (PLATE COVER) . . . . .	2-40
1771522 (BRACKET) . . . . .	6-70	1956542 (BOLT SHOULDER PLATED) . . . . .	2-56
1771542 (BRACKET) . . . . .	6-70	1956789 (PIN KEEPER 2.500 DIA X 8.50 LG) . . . . .	2-40
1771672 (GUARD FIBERGLASS) . . . . .	2-20	1956819 (PIN 1 HOLE W/HD 2.50 DIA X 3.16 LG) . . . . .	2-40
1772182 (STRUT WIRE ROPE GUIDE) . . . . .	6-48	1956902 (FITTING ADPTR SPECL .50 NPT X .375 NPT) . . . . .	2-40
1772222 (SHAFT 5.116 DIA X 3.000 ID X 21.25 L) . . . . .	6-48	1957089 (SHEAVE ASSY 20" DIA 1"ROPE W/BEARING) . . . . .	6-25
1772232 (CLAMP ROPE GUARD) . . . . .	6-48	1957142 (PIN HITCH MODIFIED 1.500 DIA X 8.00 LG) . . . . .	1-110, 5-72
1772272 (SUPPORT) . . . . .	6-70	1957302 (FLANGE PLATE ZINC CODE 62 SZE 16) . . . . .	2-79
1772752 (DECAL (EN) FALLING LOAD HAZARD) . . . . .	1-122	1957402 (PIN 1 HOLE W/HD .625 DIA X 1.98 LG) . . . . .	2-64
1772809 (PIN 2.00 X 2.44 PLATED) . . . . .	6-48	1957499 (SWITCH ASSY BLOCK UP LIMIT) . . . . .	3-55, 3-68
1774882 (FITTING 90 DEG ELBOW FOR ORIFICE) . . . . .	2-79	1957674 (LEVER W/289827 & 289829 BUSHINGS) . . . . .	2-64
1775762 (DECAL WARNING NOT A STEP) . . . . .	1-122	1959832 (DECAL (EN) CARBODY/CRAWLER PIN POSITION) . . . . .	1-123
1778342 (LUG STUD PLATED) . . . . .	1-121	1962532 (FITTING FOR ORIFICE) . . . . .	2-79
1778372 (DECAL (EN) LADDER) . . . . .	1-122	1965382 (PIN 2.25 DIA) . . . . .	6-4
1781902 (PLATE END) . . . . .	5-38	1965840 (DECAL (EN) EXPLOSION HAZARD) . . . . .	1-122
1782152 (COVER) . . . . .	5-18	1965944 (ROLLER INTERMEDIATE CRAWLER) . . . . .	5-9
1782952 (STEP) . . . . .	5-68		
1788652 (BRACKET) . . . . .	3-22		
1790102 (PIN 1.00 X 4.75) . . . . .	5-68		
1790302 (DECAL (EN) DANGERDRIVE SHAFT HAZARD) . . . . .	1-122		

ENU / 2016-01-08

7103060 (L WASHER MEDIUM 1/2 ST B18.21.1) . . . . .	2-20, 2-40, 2-94, 2-131, 5-50, 6-22, 6-25	7121111501 (SLOT PMS 4 X 40 -4.8) . . . . .	3-33
7103070 (L WASHER MEDIUM 5/8 ST B18.21.1) . . . . .	4-98, 4-125, 6-48	7121130801 (SLOT PMS 5 X 12 -4.8) . . . . .	1-59
7103080 (L WASHER MEDIUM 3/4 ST B18.21.1) . . . . .	1-125, 5-38, 5-54, 6-4, 6-48	7121191301 (SLOT PMS 10 X 30 4.8) . . . . .	1-19, 1-79
7103100 (L WASHER MEDIUM 1 ST B18.21.1) . . . . .	1-125	7123151553 (HHCS M6X40 A2 ISO4017) . . . . .	1-47
7103190 (L WASHER MEDIUM #8 ST B18.21.1) . . . . .	1-97	7123191753 (HHCS) . . . . .	1-46
7104100411 (SLOT PMS) . . . . .	1-46	7126091254 (SHCS 3 X 25 8.8) . . . . .	1-73, 5-72
7104500 (L WASHER #4 SS B18.21.1) . . . . .	1-11, 3-8, 3-34, 3-36, 3-62	7126110753 (HHCS FULL THREAD 4 X 10 8.8) . . . . .	3-16, 3-22
7105100808 (SCREW MACH FLAT HEAD SLOTTED) . . . . .	1-81	7126111253 (HHCS FULL THREAD 4 X 25 8.8) . . . . .	3-22
7106100 (L WASHER #6 BRASS B18.21.1) . . . . .	1-64	7126131053 (HHCS FULL THREAD 5 X 16 8.8) . . . . .	1-28, 4-14
7107720 (L WASHER I/E-T 1/4 ST B18.21.1) . . . . .	4-152	7126150853 (HHCS M6X12 8.8 FLZN 4017) . . . . .	3-8
7111100511 (Slot PMS #10-24UNCx0.63 G1) . . . . .	1-87	7126151053 (HHCS M6X16 8.8 FLZN 4017) . . . . .	4-152
7111100611 (SLOT PMS 10-24UNC X 0.75 GR 1) . . . . .	1-85	7126151153 (HHCS M6X20 8.8 FLZN 4017) . . . . .	3-33, 4-152
7111101011 (SLOTTED PAN HEAD SCREW #10-24 UNC) . . . . .	1-87	7126151156 (HSERGS 6 X 20 8.8) . . . . .	3-22, 3-33, 4-152, 6-70
7113400 (WASHER NYLON SHOULDER #8) . . . . .	3-22	7126151256 (HSERGS 6 X 25 8.8) . . . . .	1-64, 3-55
7114260 (F WASHER 1 1/2 ST F436) . . . . .	1-75	7126151353 (HHCS M6X30 8.8 FLZN 4017) . . . . .	1-50
7114290 (F WASHER 5/8 ST) . . . . .	4-30	7126151750 (HHCS 6 X 50 8.8) . . . . .	1-77
7114320 (WASHER LOCK 1.5) . . . . .	3-84	7126151853 (HHCS M6X55 8.8 FLZN 4017) . . . . .	5-82
7114330 (WASHER LOCK 1.70) . . . . .	3-8, 3-16	7126170853 (HHCS FULL THREAD 8 X 12 8.8) . . . . .	1-7, 1-106, 1-110
7115140550 (HHCS 1/4-20UNC X 0.63 GR 5) . . . . .	3-5	7126171053 (HHCS M8X16 8.8 FLZN 4017) . . . . .	1-110
7115155064 (C BOLT SQ 5/16-18UNC X 6.25 GR 5) . . . . .	6-16, 6-18, 6-20	7126171153 (HHCS M8X20 8.8 FLZN 4017) . . . . .	1-7, 1-47, 1-50, 1-59, 3-5, 3-33
7115155864 (C BOLT SQ 5/16-18UNC X 7.25 GR 5) . . . . .	6-18	7126171253 (HHCS M8X25 8.8 FLZN 4017) . . . . .	1-7, 1-14, 1-59, 2-102, 3-33, 4-134, 4-152
7115160850 (HHCS 3/8-16UNC X 1.00 GR 5) . . . . .	1-50	7126171353 (HHCS M8X30 8.8 FLZN 4017) . . . . .	1-28, 4-10, 4-14, 4-30, 4-98, 5-82
7115161050 (HHCS 3/8-16UNC X 1.25 G5) . . . . .	4-10	7126171550 (HHCS M8X40 8.8 FLZN 4014) . . . . .	1-28, 4-14
7115171650 (HHCS 7/16-14 UNC X 2.00 LG GR 5) . . . . .	6-36	7126171850 (HHCS M8X55 8.8 FLZN 4014) . . . . .	2-79
7118172650 (HHCS 7/16-14UNC X 3.25 GR 8) . . . . .	2-79	7126172053 (HHCS M8X65 8.8 FLZN 4017) . . . . .	1-77
7118180850 (HHCS 1/2-13UNC X 1.00 GR) . . . . .	5-18	7126172153 (HHCS FULL THREAD 8 X 70 8.8) . . . . .	2-131
7118183050 (HHCS 1/2-13UNC X 3.75 GR8) . . . . .	2-79	7126172353 (HHCS M8X80 8.8 FLZN 4017) . . . . .	2-115
7121110901 (SLOT PMS 4 X 14 -4.8) . . . . .	3-66	7126191153 (HHCS M10X20 8.8 FLZN 4017) . . . . .	2-4, 3-33, 4-6, 4-152

ENU / 2016-01-08

810103032 (BRACKET GSM/GPS ANTENNA MOUNT) . . . . .	3-5	810113080 (WASHER RETAINING PLASTIC 0.5) . . . . .	5-18
810106180 (INSERT, THREADED) . . . . .	4-136	810113150 (DECAL NO STEP SYMBOL) . . . . .	3-33
810106812 (BRACKET) . . . . .	4-133	810113860 (O-RING 4.10" IN ID X 0.21"W SILICONE) . . . . .	4-133
810106832 (BRACKET) . . . . .	4-133	810114062 (BRACKET) . . . . .	4-133
810107092 (BRACKET WELD REAR COOLING PACKGE SUPPORT) . . . . .	4-133	810114339 (ENCLOSURE ASSY RH T4I (W/O NOISE ELIM)) . . . . .	1-77
810107252 (BRACKET) . . . . .	4-133	810114341 (ENCLOSURE LH T4I W/O NOISE) . . . . .	1-77
810107462 (BRACKET) . . . . .	1-95	810114941 (TANK HYD ASSY TIER 3/4) . . . . .	2-2
810107472 (PLATE) . . . . .	1-95	810115180 (TUBE PREFORMED 2.25 OD X.065 W AL STEEL) . . . . .	4-133
810107522 (COVER ASSEMBLY, ENGINE) . . . . .	1-95	810115212 (BRACKET HYD TANK SUPPORT) . . . . .	2-4
810107592 (COVER) . . . . .	1-95	810115352 (BRACKET AIR CLEANER T4I) . . . . .	4-6
81010761 (COVER ACCESS WELDMENT) . . . . .	1-95	810115512 (PLATE .19" NYLON) . . . . .	3-62
810107642 (COVER ASSEMBLY) . . . . .	1-95	810115540 (HOSE ASSY .38 ID X 5592 X 29.13 LG) . . . . .	4-133
810107752 (COVER) . . . . .	1-95	810115550 (HOSE ASSY .31 ID X #5541 X 72.00LG) . . . . .	4-133
810107822 (COVER) . . . . .	4-133	810115650 (FITTING ADPTR 3/4 NPT X 5/8 HOSE BARB) . . . . .	1-27, 4-14, 4-24, 4-133
810108012 (BRACKET) . . . . .	4-133	810116150 (SEAT OPERATOR) . . . . .	1-59
810109492 (BRACKET) . . . . .	4-133	810116892 (FRAME MTG ENCLOSURE) . . . . .	1-85
810109522 (BRACKET) . . . . .	4-133	810117000 (NAMEPLATE FRONT) . . . . .	3-16
810109642 (BRACKET) . . . . .	4-133	810117190 (MANIFOLD ASSY SUCTION TIER 4) . . . . .	2-71
810109652 (BRACKET) . . . . .	4-133	810117242 (MANIFOLD ASSY SUCTION TO FAN & FREE FALL) . . . . .	2-16
810111082 (BRACKET WELDMENT BELOW HEAT EXCHANGER) . . . . .	2-16	810117600 (CLAMP 4" TORCA) . . . . .	4-28
810111310 (HOSE ASSY 2.25 ID X 6.5" LG) . . . . .	4-133	810117670 (TUBE PREFORMED .75 OD X .065 WALL C1010) . . . . .	1-27, 4-14
810111400 (FITTING 45 DEG CODE 61, 32 X 32 BARB) . . . . .	2-16	810117750 (HOSE .625 ID X 291.0 LG HEATER) . . . . .	4-14
810111490 (DECAL COLLANT LEEVEL FULL) . . . . .	1-123	810117760 (HOSE HEATER 0.625 ID X 282.0 LG) . . . . .	4-14
810111670 (TUBE PREFORMED 4.00 OD CAC) . . . . .	4-133	810118200 (TUBE PREFORMED 3.00 OD X .065 WALL) . . . . .	2-16
810111710 (CLAMP TUBE 4.00 OD VBAND MARMON STYLE) . . . . .	4-133	81011830 (BRACKET) . . . . .	4-136
810111810 (TUBE PREFORMED 2.25 OD X.065 W AL STEEL) . . . . .	4-133	810118440 (DECAL MANITOWOC LOGO 30" WHITE) . . . . .	1-122
810111820 (TUBE PREFORMED 2.25 OD X.065 W AL STEEL) . . . . .	4-133	810118460 (DECAL MANITOWOC LOGO 40" WHITE) . . . . .	1-122
810111840 (HOSE ASSY .38 ID X 5592 X 36.00 LG) . . . . .	4-133		
810112992 (PLATE MOUNTING) . . . . .	3-36		
810113050 (WASHER RETAINING PLASTIC 0.313) . . . . .	5-18		
810113060 (WASHER RETAINING PLAS-TIC .375") . . . . .	2-40, 2-56		

ENU / 2016-01-08

9490220111 (PLUG, PLASTIC (M12)) . . . . .	5-58	9490220227 (COVER, INPUT) . . . . .	5-32
9490220114 (SHAFT, BRAKE (RB)) . . . . .	2-58	9490220228 (COVER) . . . . .	5-32
9490220115 (STEEL DISK) . . . . .	2-26, 2-32, 2-44, 2-48, 2-58, 2-60, 5-58, 5-60	9490220261 (SCREW, SOC HD) . . . . .	4-73
9490220117 (BRONZE DISK) . . . . .	2-26, 2-32, 2-44, 2-48, 2-59 to 60, 5-58, 5-60	9490220262 (O-RING) . . . . .	2-24, 2-30, 5-22, 5-34
9490220118 (PLATE, END (RA - RB)) . . . . .	2-59	9490220263 (OUTPUT ASSEMBLY) . . . . .	2-58
9490220119 (EXTERNAL SNAP RING) . . . . .	2-59	9490220277 (PIN) . . . . .	2-59
9490220120 (RING,INTERNAL SNAP 145UNI 7437) . . . . .	2-59	9490220300 (NAME TAG) . . . . .	4-73
9490220121 (RING,INTERNAL SNAP 155UNI 7437) . . . . .	2-59	9490220313 (NUT, RING) . . . . .	5-32
9490220136 (HOUSING, FLANGE) . . . . .	2-58	9490220315 (BEARING) . . . . .	5-32
9490220148 (GEAR, RING (M4 Z69)) . . . . .	2-58	9490220316 (KIT, SHIM) . . . . .	5-32
9490220150 (DESCRIPTION NOT AVAIL- ABLE) . . . . .	2-58	9490220345 (RING, EXTERNAL SNAP (125 UNI)) . . . . .	5-56
9490220152 (DESCRIPTION NOT AVAIL- ABLE) . . . . .	2-44	9490220373 (PLUG, MAGNETIC) . . . . .	5-22
9490220153 (DESCRIPTION NOT AVAIL- ABLE) . . . . .	2-44, 2-58	9490220376 (O-RING) . . . . .	5-32, 5-34
9490220159 (GEAR, RING) . . . . .	2-58, 5-24	9490220377 (KIT, SHIM) . . . . .	5-32
9490220165 (PIN) . . . . .	2-58	9490220418 (O-RING) . . . . .	5-32, 5-34, 5-56, 5-60
9490220166 (WASHER) . . . . .	2-44, 2-58	9490220433 (SHIM, BRAKE DISC) . . . . .	5-58
9490220167 (WASHER) . . . . .	2-58	9490220449 (COUPLING) . . . . .	2-58
9490220168 (PIN) . . . . .	2-58	9490220450 (HOUSING, CONNECTION) . . . . .	2-58
9490220169 (BEARING MCGI) . . . . .	2-44, 2-58, 5-26	9490220457 (CARRIER, PLANET) . . . . .	2-58
9490220170 (BOLT (M24X2X90 UNI5738 10.9)) . . . . .	2-58	9490220458 (GEAR, SUN) . . . . .	2-58
9490220173 (EXTENSION (3/8")) . . . . .	2-59	9490220459 (GEAR, PLANET) . . . . .	2-58
9490220180 (SHIM (137X160X22.75)) . . . . .	2-58	9490220461 (HOUSING, CONNECTION) . . . . .	2-58
9490220183 (RING NUT KM28 M140X2) . . . . .	2-58	9490220466 (GEAR, SUN 465518 PLANE- TARY) . . . . .	2-58
9490220185 (SHIM KIT A13794 PLANETARY) . . . . .	2-58	9490220467 (EXT RETAINING RING GEARBOX) . . . . .	2-44, 2-58
9490220190 (PIN (16X70 UNI 6874 EL.LEG)) . . . . .	2-59	9490220469 (SCREW) . . . . .	2-59
9490220192 (BOLT (M10X30 UNI 5931 8G)) . . . . .	2-44, 5-32	9490220470 (SCREW, SOC HD) . . . . .	2-59
9490220193 (BOLT (M14X140 UNI 5931- 8G)) . . . . .	5-22	9490220471 (SCREW, SOC HD M14X150) . . . . .	2-59
9490220196 (RING,INTERNAL SNAP 80 UNI 7437) . . . . .	2-59	9490220472 (SCREW, SOC HD M18X160) . . . . .	2-59
9490220199 (RING, EXTERNAL SNAP 40UNI 7435) . . . . .	2-59	9490220473 (EXTENSION (1/2" L50)) . . . . .	2-59
9490220205 (RING,EXTERNAL SNAP 58 UNI 7435) . . . . .	2-58	9490220474 (ELBOW (1/2")) . . . . .	2-59
		9490220475 (CARRIER 2ND STAGE PLANET) . . . . .	5-30
		9490220476 (CARRIER, 2ND STAGE PLANET (INP) . . . . .	5-30
		9490220478 (GEAR, 2ND STAGE SUN) . . . . .	5-28
		9490220479 (RING GEAR) . . . . .	5-28

A163502 (PIN 2 HOLE 107.956 DIA X 220.0 LG) . . . . .	6-79	A165971 (GUIDE WIRE ROPE ASSY BOOM BUTT) . . . . .	6-36
A163732 (SLEEVE) . . . . .	6-25	A166012 (TANK FUEL ASSY AS PURCHASED) . . . . .	4-162
A163742 (SPACER TUBE 127.0 X 100.15 X 374.5) . . . . .	6-25	A16602 (TANK FUEL 158 GAL) . . . . .	4-164
A163752 (SPACER TUBE 127 OD X 100.15 ID X 386 LG) . . . . .	6-25	A166111 (PIPING HYD ASSY ROTATE BED ACCESSORY SYS) . . . . .	2-2
A163762 (SPACER TUBE 165.1 OD X 127.2 ID X110 LG) . . . . .	6-25	A166112 (PIPING HYD ASSY W/DRUM #3) . . . . .	2-2
A163772 (STRAP, BOOM SUPPORT) . . . . .	6-30	A166115 (PIPING HYD ASSY LESS CAB RAISING CYL) . . . . .	2-2
A163874 (STRAP ASSY) . . . . .	6-25	A166242 (SUPPORT QSL9 C340) . . . . .	4-30
A164280 (VALVE BUTTERFLY CODE61-80) . . . . .	2-4	A166312 (GUIDE WIRE ROPE ASSY W/1 LINE OVR LWR PT) . . . . .	6-2
A164380 (BREATHER VENT TANK H2O VAPOR 35CFM) . . . . .	2-4	A166319 (GUIDE WIRE ROPE ASSY) . . . . .	6-46
A164650 (FITTING ADAPTER SPECIAL) . . . . .	2-4	A166322 (GUIDE WIRE ROPE MACHINING) . . . . .	6-62
A164660 (DRIVE PUMP 3 PAD) . . . . .	4-32	A166402 (ARRANGEMENT W/(2) SHEAVES IN BOOM PT) . . . . .	6-2
A164708 (PIPING HYD ASSY POWER PLANT SUCTION) . . . . .	2-2	A166409 (BOOM POINT LOWER ASSY BOOM #76) . . . . .	6-46
A164758 (PIPING HYD ASSY ROT BED F/R HOIST & TRVL) . . . . .	2-2	A166440 (CABLE ELEC WBC) . . . . .	4-152
A164802 (NAMEPLATE #1 HOSE ID #1) . . . . .	2-131, 2-147	A166762 (SUPPORT DRUM) . . . . .	2-40
A164812 (NAMEPLATE HOSE ID #2) . . . . .	2-131, 2-147	A166772 (SUPPORT DRUM) . . . . .	2-40
A164822 (NAMEPLATE HOSE ID #3) . . . . .	2-147	A166790 (BLOCK 165 TON) . . . . .	6-2
A164832 (NAMEPLATE HOSE ID #4) . . . . .	2-147	A166890 (BREATHER VENT REPLACEMENT/A16438) . . . . .	2-10
A164842 (NAMEPLATE HOSE ID #5) . . . . .	2-147	A166960 (TUBE PREFORMED) . . . . .	2-71
A165002 (CABLE TIE .31 W X 4.0 BUNDLE) . . . . .	2-132, 2-147	A167010 (TUBE PREFORMED 2.0 OD X .083 WALL W/BEAD) . . . . .	2-71
A165400 (DRIVE PLANETARY SWING 140.96:1) . . . . .	2-56	A167040 (TUBE PREFORMED 2.0 OD X .083 WALL W/BEAD) . . . . .	2-71
A165450 (DRIVE PLANETARY HOIST 82.02:1) . . . . .	2-40	A167322 (PIN 1 HOLE W/HD 45.00 DIA X 129.0 LG) . . . . .	6-46, 6-56, 6-58, 6-60
A165551 (PIPING HYD ASSY PWR PLANT RETURN TO TANK) . . . . .	2-2	A167374 (SHEAVE WIRE ROPE ASSY 1.0" 26MM X 27"OD) . . . . .	6-38
A165750 (VALVE DIRECTIONAL CNTRL 6SECT W/O RELIEF) . . . . .	2-166	A167430 (GEAR BOX PLANETARY FINAL) . . . . .	5-18
A165760 (PUMP HYD VARIABLE 75 CC/REV 90) . . . . .	4-32	A167620 (TUBE PREFORMED) . . . . .	2-81
A165770 (MOTOR HYD PISTON FIXED 55 CC/REV) . . . . .	2-56	A167640 (TUBE PREFORMED) . . . . .	2-81
A165822 (PIN KEEPER 76.2 DIA X 157 LG) . . . . .	6-104	A167920 (PLUG SIGHT GLASS 1.0625-12 ORB) . . . . .	2-20
A165830 (BUSHING 76.44 X 88.91 X 76.2) . . . . .	1-117	A167970 (TUBE PREFORMED .50 OD X .065 WALL C1010) . . . . .	2-81
A165852 (PLATE KEEPER 10 MM THK) . . . . .	6-104	A167980 (TUBE PREFORMED) . . . . .	2-81
		A168092 (LINK STRAP STOWAGE) . . . . .	6-60

ENU / 2016-01-08

BRACKET ROLLER (A192012) . . . . .	6-98	BRACKET WELDMENT PLATFORM (A180319) . . . . .	1-115
BRACKET ROLLER (A192872) . . . . .	6-100	BRACKET WELDMENT RETURN MANIFOLD (A172032) . . . . .	2-94
BRACKET ROLLER (A192892) . . . . .	6-102	BRACKET WELDMENT ROT BED HYD (A177862) . . . . .	2-132
BRACKET RS232 RECEPTACLE MOUNT (810072942) . . . . .	3-5	BRACKET WELDMENT SUCTION MANIFOLD SUPPT (A172212) . . . . .	2-71
BRACKET SEAT MOUNTING ADAPTER (810026732) . . . . .	1-59	BRACKET WELDMENT TUBE SUPPORT AT PUMP (A191892) . . . . .	2-82
BRACKET SERVICE MANUAL (810006852) . . .	3-22	BRACKET WELDMENT TUBE SUPPORT AT SUCTION (A175832) . . . . .	2-71
BRACKET SET FOOTLESS BLIND (7942000512) . . . . .	1-46	BRACKET WELDMENT TUBE SUPPORT (A175352) . . . . .	2-81
BRACKET SET UP REMOTE (A196552) . . . . .	3-34	BRACKET WIPER MOTOR FRONT CAB (80016407) . . . . .	1-46
BRACKET SHOCK MTG (4116030) . . . . .	1-19, 1-79, 1-81, 1-85, 1-87	BRACKET WIPER MOTOR TOP CAB (80016408) . . . . .	1-46
BRACKET SUN SCREEN LH CAB (80016409) . . . . .	1-46	BRACKET, LIFTING (9722220241) . . . . .	4-45
BRACKET SUNSCREEN RH CAB (80016410) . . . . .	1-46	BRACKET (1701202) . . . . .	3-68
BRACKET TCU (810069522) . . . . .	3-5	BRACKET (1770762) . . . . .	3-58, 3-70
BRACKET TIMBER (810179452) . . . . .	6-36	BRACKET (1771522) . . . . .	6-70
BRACKET TORQUE ARM (810098302) . . . . .	5-50	BRACKET (1771542) . . . . .	6-70
BRACKET TUBE SUPPORT AT PUMPS (A175332) . . . . .	2-81	BRACKET (1788652) . . . . .	3-22
BRACKET TUBE SUPPORT PUMPS (A175342) . . . . .	2-81	BRACKET (810016992) . . . . .	4-98
BRACKET W/2-289797 BUSHING (1768064) . . .	3-40	BRACKET (810106812) . . . . .	4-133
BRACKET WELD REAR COOLING PACKGE SUPPORT (810107092) . . . . .	4-133	BRACKET (810106832) . . . . .	4-133
BRACKET WELD TUBE MOUNT AT SUCTION TUBES (A175539) . . . . .	2-71	BRACKET (810107252) . . . . .	4-133
BRACKET WELDMENT BELOW HEAT EX- CHANGER (810111082) . . . . .	2-16	BRACKET (810107462) . . . . .	1-95
BRACKET WELDMENT BOOM BUTT HYD (A176322) . . . . .	2-147	BRACKET (810108012) . . . . .	4-133
BRACKET WELDMENT DIVERTER MOUNT (A176352) . . . . .	2-81	BRACKET (810109492) . . . . .	4-133
BRACKET WELDMENT ENGINE MOUNT (810130882) . . . . .	4-32	BRACKET (810109522) . . . . .	4-133
BRACKET WELDMENT FOR HYD CLAMPS (A127532) . . . . .	2-147	BRACKET (810109642) . . . . .	4-133
BRACKET WELDMENT HOSE MOUNT SWING GBOX (A174072) . . . . .	2-81	BRACKET (810109652) . . . . .	4-133
BRACKET WELDMENT JOINT ROTATING MOUNT (A176672) . . . . .	5-50	BRACKET (810114062) . . . . .	4-133
		BRACKET (81011830) . . . . .	4-136
		BRACKET (810131362) . . . . .	1-95
		BRACKET (810137042) . . . . .	4-133
		BRACKET (810137052) . . . . .	4-133
		BRACKET (810138932) . . . . .	4-133
		BRACKET (810180062) . . . . .	1-47
		BRACKET (810223112) . . . . .	4-134

F WASHER SHOULDER NYLON 8.10 X 4.00 MM (810073390) . . . . .	3-33	FITTING ADAPTER 45 DEG (7447080846) . . . . .	2-80, 2-121
F Washer 3/8in Nylon (7949000561) . . . . .	1-50	FITTING ADAPTER 90 -4ORFS X -6ORB (7447040603) . . . . .	2-80
FAN DEFOGGER (7425100016) . . . . .	1-46	FITTING ADAPTER 90 DEG -100 RFS X -100RB (7447101038) . . . . .	2-80
FASTENER SLIP-ON RECEPTACLE FOR 421893 (4218340) . . . . .	2-20	FITTING ADAPTER 90 DEG -120 RFS X - 120RF (7447121233) . . . . .	2-80, 2-131
FEMALE RUN TEE (7447242434) . . . . .	2-147	FITTING ADAPTER 90 DEG -120RFS X - 100RB (7447121003) . . . . .	2-80, 4-10
FILLER CAP ASSY LOCKABLE (90021718) . . . . .	4-166	FITTING ADAPTER 90 DEG -120RFS X -120RB (7447121203) . . . . .	2-80, 2-131, 5-47
FILLER FUEL ASSY VENTED W/10 MICR FIL (810182880) . . . . .	4-164	FITTING ADAPTER 90 DEG -160RFS X -120RB (7447161203) . . . . .	2-94
FILLER NECK ASSY 81018288 FILLER (90024539) . . . . .	4-166	FITTING ADAPTER 90 DEG -60RFS X - 60RB (7447060603) . . . . .	2-131, 5-47
FILTER AIR PRIMARY (90019453) . . . . .	4-122	FITTING ADAPTER 90 DEG -60RFS X -60RFS (7447060633) . . . . .	2-80, 2-115, 2-121, 2-131, 5-47
FILTER ASSY DOC HORIZ SISO QSL T4F (81022524) . . . . .	4-28	FITTING ADAPTER 90 DEG -80RFS X -100 (7447081003) . . . . .	2-166
FILTER ASSY SCR HORIZ SISO QSL T4F (81022525) . . . . .	4-28	FITTING ADAPTER 90 DEG -80RFS X -80RB (7447080803) . . . . .	2-126
FILTER CARTRIDGE 81018288 FILLER ASSY (90021719) . . . . .	4-166	FITTING ADAPTER 90 DEG -80RFS X - 80RFS (7447080833) . . . . .	2-16, 2-82
FILTER ENGINE OIL (A104130) . . . . .	4-122, 7-1	FITTING ADAPTER 90 DEG (7447161633) . . . . .	2-17
FILTER ENGINE WATER (4136240) . . . . .	4-122, 7-1	FITTING ADAPTER SPECIAL (A164650) . . . . .	2-4
FILTER HYD RETURN TO TANK -40 PORTS (A179080) . . . . .	2-4, 7-1	FITTING ADAPTER STRAIGHT -120RFS X -160R (7447121601) . . . . .	2-82, 2-121
FILTER, AIR (90018864) . . . . .	1-100	FITTING ADAPTER STRAIGHT -120RFS X - 60RF (7447120613) . . . . .	2-115
FILTER (4272860) . . . . .	2-4	FITTING ADAPTER STRAIGHT -120RFS X -80RF (7447120813) . . . . .	2-16, 2-115, 2-121, 5-47, 5-80
FIRE EXTINGUISHER DRY 2.6# 1A:10-B:C (4168000) . . . . .	1-64	FITTING ADAPTER STRAIGHT - 120RFS X 0.75 (7447121228) . . . . .	1-28, 4-10, 4-14
FITTING 1.00 NPT X 0.75 NPT (4285940) . . . . .	2-40	FITTING ADAPTER STRAIGHT -120RFS X- 10ORB (7447121001) . . . . .	2-102
FITTING 1/4 X 67D (4290610) . . . . .	6-22	FITTING ADAPTER STRAIGHT -12ORFS X -8ORB (7447120801) . . . . .	2-80, 5-47
FITTING 30 DEG 1/8 X 30 DEG (4290400) . . . . .	2-64	FITTING ADAPTER STRAIGHT -160RFS X -120R (7447161201) . . . . .	2-94
FITTING 45 DEG CODE 61, 32 X 32 BARB (810111400) . . . . .	2-16		
FITTING 90 DEG .25 NPT X .38 HOSE BARB (810029990) . . . . .	4-133		
FITTING 90 DEG 1/8 #1613B (4290720) . . . . .	2-64, 4-125		
FITTING 90 DEG 46756 (4292590) . . . . .	3-60, 3-72		
FITTING 90 DEG ELBOW 04 X 04 (4295950) . . . . .	4-125		
FITTING 90 DEG ELBOW 12X12 (4282420) . . . . .	2-115		
FITTING 90 DEG ELBOW FOR ORIFICE (1774882) . . . . .	2-79		
FITTING ADAPTER .50 (4296100) . . . . .	2-56		

ENU / 2016-01-08

HOSE ASSY 1.50 ID X 92 LG (7555809292) . . .	2-81	HOSE SILICONE .63 ID X 19.00 LG (6575110019) . . . . .	1-27, 4-14
HOSE ASSY 1.50 ID X 98 LG (7555809892) . . .	2-81	HOSE SILICONE .63 ID X 10.00 LG (6575110010) . . . . .	4-24
HOSE ASSY 124" LONG (A183420) . . . . .	5-82	HOSE SILICONE .63 ID X 110.00 LG (6575110110) . . . . .	4-24
HOSE ASSY 147.0" LG (A178620) . . . . .	5-82	HOSE SILICONE .63 ID X 115.00 LG (6575110115) . . . . .	4-24
HOSE ASSY 199" LONG (A183430) . . . . .	5-82	HOSE SILICONE .63 ID X 50.00 LG (6575110050) . . . . .	4-24
HOSE ASSY 2.0 M DEF RETURN (80018089) . . . . .	4-20	HOSE SILICONE .63 ID X 90.00 LG (6575110090) . . . . .	4-24
HOSE ASSY 2.0 M DEF SUCTION (80018088) . . . . .	4-20	HOSE SILICONE 12 X 216 L CLNT (6575112216) . . . . .	1-27 to 28
HOSE ASSY 2.00 ID X 12" LG (7566401200) . . . . .	2-17, 2-71	HOSE SILICONE 12 X 274L (6575112274) . . . .	1-28
HOSE ASSY 2.00 ID X 14.00LG (7566401400) . . . . .	2-71	HOSE SILICONE 12 X 283 L CLNT (6575112283) . . . . .	1-28
HOSE ASSY 2.00 ID X 18" LG (7566401800) . . . . .	2-17, 2-71	HOSE SILICONE 12 X 39 L CLNT (6575112039) . . . . .	1-27
HOSE ASSY 2.00 ID X 21" LG (7566402100) . . . . .	2-17, 2-71	HOSE, DRAIN LINE 1/2 (90018883) . . . . .	1-100
HOSE ASSY 2.00 ID X 5" LG (7566400500) . . .	2-71	HOUSING CLUTCH NUMBER ONE SAE (A089930) . . . . .	4-125
HOSE ASSY 2.00 ID X 5594 X 15.00LG (7566401500) . . . . .	2-71	HOUSING FOOT PEDAL MACHINING (A020212) . . . . .	3-26
HOSE ASSY 2.00 ID X 56" LG (7566405600) . . .	2-17	HOUSING, BRAKE (9490220580) . . . . .	2-26, 5-58
HOSE ASSY 2.25 ID X 6.5" LG (810111310) . . .	4-133	HOUSING, CONNECTION 465511 PLANETARY (9490220483) . . . . .	5-22
HOSE ASSY 2.50 ID X 10" LG (7566501000) . . .	2-94	HOUSING, CONNECTION (9490220450) . . . . .	2-58
HOSE ASSY 2.50 ID X 41 LG (7566504100) . . .	2-94	HOUSING, CONNECTION (9490220461) . . . . .	2-58
HOSE ASSY 2.50 ID X 6" LG (7566500600) . . .	2-94	HOUSING, FLANGE (9490220136) . . . . .	2-58
HOSE ASSY 3.0 M DEF PRESSURE (80018090) . . . . .	4-20	HOUSING, VARIABLE (9722220535) . . . . .	4-45
HOSE ASSY 3.00 ID X 14" LG (7566601400) . . .	2-94	HSERGS 6 X 20 8.8 (7126151156) . . . . .	3-22, 3-33, 4-152, 6-70
HOSE ASSY 7550101800 .250 ID X 18 LG (A097130) . . . . .	4-125	HSERGS 6 X 25 8.8 (7126151256) . . . . .	1-64, 3-55
HOSE ASSY 83.0" LG (A178610) . . . . .	5-82	HSSS AT 18 X 130 (A176250) . . . . .	5-18
HOSE ASSY CODED .25 ID X 18 LG (7555201802) . . . . .	2-131	HSSS CUP 12 X 16 45H (7787211610) . . . . .	5-18
HOSE ASSY CODED (7555509900) . . . . .	2-147	HSSS CUP 5/16-18UNC X 0.75 (6203550) . . . .	3-26
HOSE ASSY CODED (7555809690) . . . . .	2-147	HSSS CUP 6-32UNC X 0.19 (6202240) . . . . .	3-26
HOSE ASSY CODED (7565312764) . . . . .	2-162	HSSS CUP M5 X 8 -45H (A028570) . . . . .	3-84
HOSE ASSY CODED (7565409180) . . . . .	2-147	HVAC 27 FT ELEVATED CAB (81042587) . . . . .	1-5
HOSE ASSY. 2.5"X20FT (90018881) . . . . .	1-100	HVAC ASSY CAB (810206371) . . . . .	1-2
HOSE HEATER 0.625 ID X 282.0 LG (810117760) . . . . .	4-14	HVAC INSIDE CAB 24V (81020581) . . . . .	1-97
HOSE SILICONE .38 ID X 85.00 LG (6575106085) . . . . .	4-24		
HOSE SILICONE .38 ID X 110.00 LG (6575106110) . . . . .	4-24		

ENU / 2016-01-08

PIPE NIPPLE .50 DIA 1.50 LG X SCH 40 SST (5434440).....	3-58, 3-70	PIPING HYD ASSY ROT BED F/R HOIST & TRVL (A164758) .....	2-2
PIPE NIPPLE .75 DIA X 1.38LG SCH 40SST (5434050) .....	4-98	PIPING HYD ASSY ROT BED LIVE MAST (A169191) .....	2-2
PIPE NIPPLE .75 DIA X 3.0 LG SCH 40 SST (5435210) .....	4-32, 4-98	PIPING HYD ASSY ROT BED PINPULLER BOOM (A169301) .....	2-2
PIPE NIPPLE .75 DIA X 3.5 LG SCH 40 SST (5437480) .....	4-98	PIPING HYD ASSY ROT BED ROUTE TO BOOM (A185251) .....	2-2
PIPE NIPPLE .75 DIA X 8.25 LG SCH 40 SST (5430510) .....	4-32	PIPING HYD ASSY ROTATE BED ACCESSORY SYS (A166111) .....	2-2
PIPE NIPPLE .75 X 4.00 LG X SCH 40 (810140450).....	1-27	PIPING HYD ASSY W/AUX DRUM PREP/EQUIP (A185252) .....	2-2
PIPE NIPPLE .75 X 5.50 LG X SCH 40 (810140510).....	1-27, 4-14	PIPING HYD ASSY W/DRUM #3 (A166112) ....	2-2
PIPE NIPPLE 1.00 DIA X 1.50LG SCH 40 SST (5434060).....	2-4, 4-162	PISTON ASSEMBLY, WELDED (9722220320).....	4-106
PIPE NIPPLE 1.00 DIA X 2.5 LG SCH 40 SST (5438040) .....	2-4	PISTON BRAKE (9188220012) .....	2-48
PIPE NIPPLE 1.00 DIA X 4.0 LG SCH 40 SST (5438090) .....	2-41	PISTON RING 81001776 HYD CYL (9372220201).....	5-76, 5-78
PIPE NIPPLE TOE 1" X 3" HVY DUTY BLACK (5661470) .....	4-162	PISTON WEAR RING (9372220200) .....	5-76, 5-78
PIPE PLUG .25 SST (5716210) .....	5-9	PISTON WEAR RING (9372220204) .....	5-76, 5-78
PIPE PLUG .375 SST (5717240) .....	2-40, 4-26	PISTON, BRAKE (9490221471).....	2-59
PIPE PLUG .75 SST (5717040) .....	5-9	PISTON, SENSING (9632220056).....	5-64
PIPE PLUG 1.00 SST (5717050) .....	4-164	PISTON (90022149) .....	4-148
PIPE PLUG 1/8 SST (5717200) .....	2-84	PLANETARY CARRIER ASSEMBLY (90014583).....	5-24
PIPING FUEL ASSY (810237361) .....	4-4	PLANETARY CARRIER ASSEMBLY (9490221484).....	5-28
PIPING HYD ASSY CARBODY W/CARBODY JACKS (A186283) .....	2-2	PLATE .19" NYLON (810115512) .....	3-62
PIPING HYD ASSY CARBODY W/NO BRAKE USH (A186281) .....	5-4	PLATE .19" NYLON (810130602) .....	3-33
PIPING HYD ASSY FAN DRIVE & COOLER T3/T4 (810203392).....	2-2	PLATE .50 THK (1687752).....	6-44
PIPING HYD ASSY GANTRY CYLS (A169291) .....	2-2	PLATE 0.125 THICK (A06292) .....	1-83, 1-93
PIPING HYD ASSY HOIST PAWL (A174001) ...	2-2	PLATE 3 MM THICK, 3003 AL (A17723) ...	1-89, 1-91
PIPING HYD ASSY LESS CAB RAISING CYL (A166115) .....	2-2	PLATE 3 MM (81000471001).....	1-81
PIPING HYD ASSY LESS FREEFALL DRUMS (A185255) .....	2-2	PLATE 3 MM (A08550001) .....	1-89
PIPING HYD ASSY POWER PLANT SUCTION (A164708) .....	2-2	PLATE 3 MM (A08555001) .....	1-91
PIPING HYD ASSY PWR PLANT RETURN TO TANK (A165551) .....	2-2	PLATE 3 MM (A08556001) .....	1-83
		PLATE 3 MM (A17967001) .....	1-93
		PLATE 5.0 MM MEC 850 (810024572) .....	1-87
		PLATE ASSY. SEAT BASE (90018861).....	1-100
		PLATE COVER (1955422) .....	2-40
		PLATE ENCLOSURE PANEL (81002515001).....	1-87
		PLATE END (0798162) .....	6-25

ENU / 2016-01-08

CLICK HERE TO **DOWNLOAD** THE COMPLETE MANUAL

- Thank you very much for reading the preview of the manual.
- You can download the complete manual from: [www.heydownloads.com](http://www.heydownloads.com) by clicking the link below



- Please note: If there is no response to CLICKING the link, please download this PDF first and then click on it.

CLICK HERE TO **DOWNLOAD** THE COMPLETE MANUAL