

Manitowoc

PARTS MANUAL

This manual has been prepared for and is considered part of -

10000

Crane Model Number

10001Ref

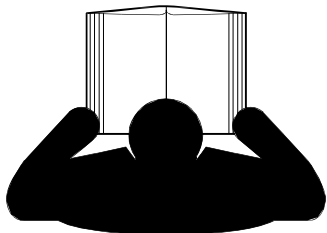
Crane Serial Number

**Tier 2 (S/N 10001001 through 10001037)
Tier 3 (S/N 10001038 and up.)**

NOTICE

The crane serial number is the only method your distributor or the factory has of providing you with correct parts and service information.

The crane serial number is identified on the crane identification label attached to the operator's cab. **Always furnish crane serial number** when ordering parts or communicating service problems with your distributor or the factory.

	<p style="text-align: center;">! WARNING</p> <p>To prevent death or serious injury:</p> <ul style="list-style-type: none">• Avoid unsafe operation and maintenance. Crane and attachments must be operated and maintained by trained and experienced personnel. Manitowoc is not responsible for qualifying these personnel.• Do not operate or work on crane or attachments without first reading and understanding instructions contained in Operator Information Manual supplied with crane and applicable attachments.• Store Operator Information Manual in operator's cab.• If Operator Information Manual is missing from cab, contact your Manitowoc Distributor for a new one.
---	--

CLICK HERE TO **DOWNLOAD** THE COMPLETE MANUAL

- Thank you very much for reading the preview of the manual.
- You can download the complete manual from: www.heydownloads.com by clicking the link below



- Please note: If there is no response to CLICKING the link, please download this PDF first and then click on it.

CLICK HERE TO **DOWNLOAD** THE COMPLETE MANUAL

Manitowoc MACHINE COMPONENT INDEX

Date: Jul 11, 2012

Rev:

<u>Model Number</u> 10000		<u>Serial Number</u> 10000	
Item	Part	Description	Page
261	9999423616	SWING ALARM LAMP	859
268	9999422963	REMOTE CONTROL ASSY	861
297	9999429963	CAMERA INSTAL DRUM MONITOR	865
	9999433544	CAMERA REAL IMAGE	867
299	9999425290	MONITOR INSTAL (OPTION)	871
300	9999428338	MONITOR INSTAL	877
	9999425276	SWITCH BOX ASSY	881
	9999428339	TELEVISION MONITOR	883
303	9999429960	ALARM ASSY BACK	885
305	9999429926	CALL ASSY ONE-WAY COVER FOR EXPORT MODEL	887
	9999427359	AMPLIFIER	889
322	9999427850	PEDAL ASSY (LIGHT&LEFT/OPTION)	891
323	9999423672	PEDAL ASSY (RIGHT/OPTION)	893
324	9999429964	PEDAL ASSY, BOOM HOIST/LH SIDE	897
326	9999427903	SWITCH INSTAL (FOR DRUM TURN SENSOR/OPTION)	899
		POWER PLANT	
85	9999433588	ENGINE INSTAL	903
86	9999428180	ENGINE, HINO	907
88	9999428389	PUMP ASSY	909
92	9999430629	POWER DIVIDER ASSY	911
93	90012365	POWER DIVIDER	913
94	9999430231	MUFFLER INSTAL	915
95	9999430233	FUEL LINES STD	917
96	9999430424	FUEL LINES PREFILTER	919
97	9999427866	RADIATOR INSTAL	921
98	9999428184	RADIATOR ASSY, TRANSMISSION CHARGE AIR	925
99	9999427867	AIR CLEANER INSTAL	927
100	9999430189	CLEANER, AIR	929
101	9999407892	TANK ASSEMBLY - FUEL	933
102	9999430555	TANK INSTAL, FUEL STD	935

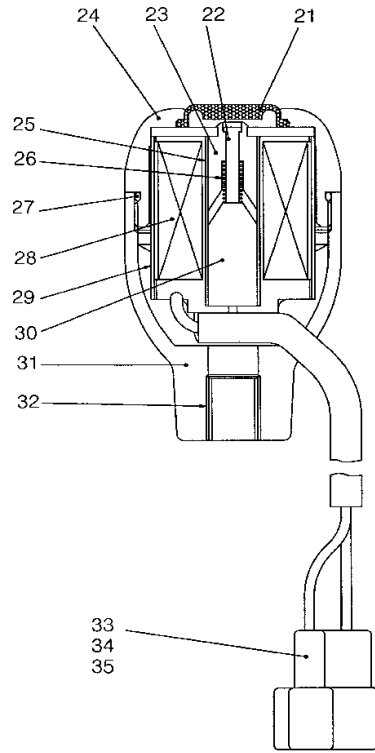
Manitowoc

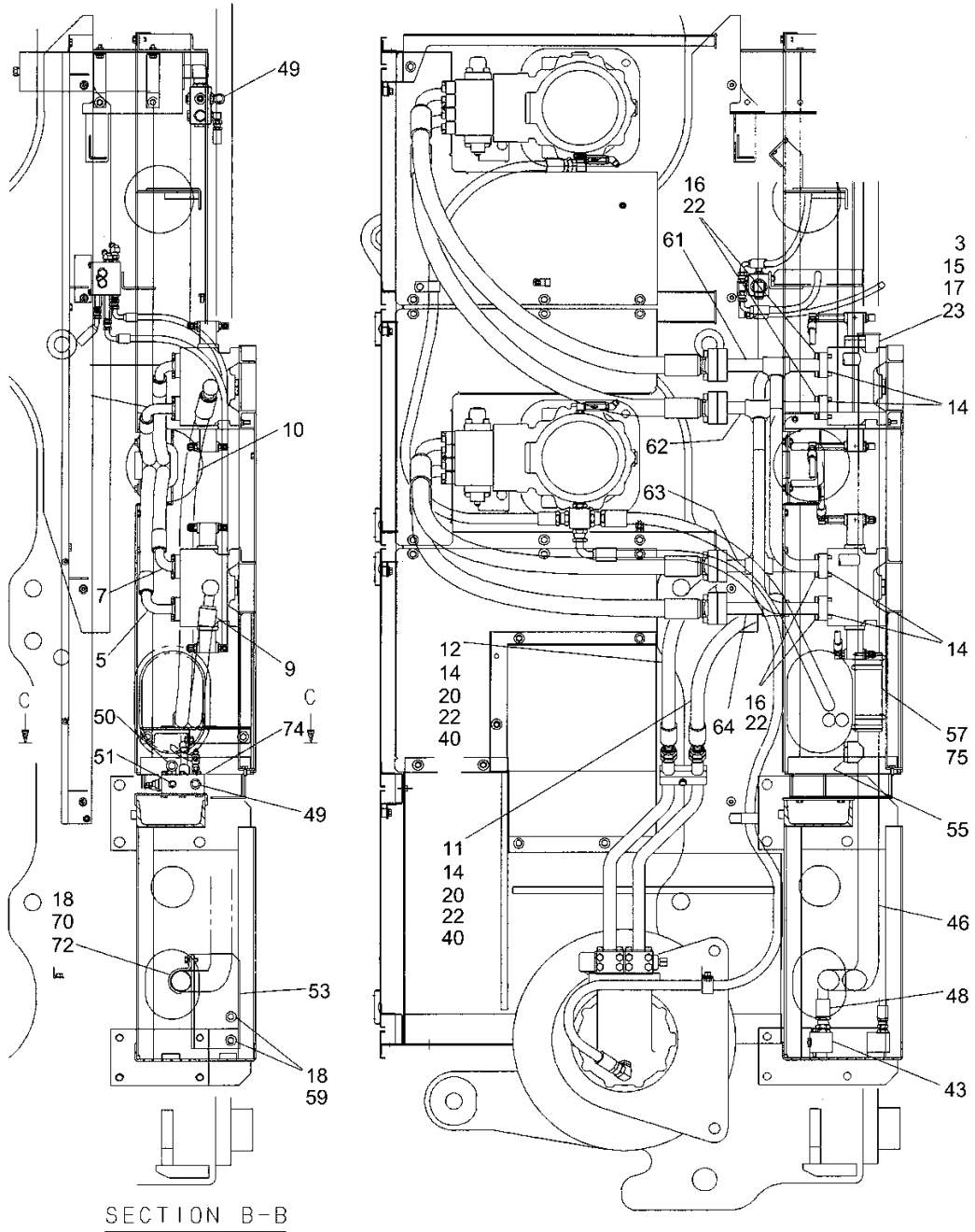
Description
HYDRAULIC LINES INSTALLATION-CARRIER

Assembly No.
9999422981
 Revision:

Item	FN	Part	Qty	Description
3		9999407139	1	O-RING
4		9999420252	4	CAPSCREW
5		9999430649	1	VALVE, HYD
6		9999430648	1	VALVE, HYD
7		9999422540	1	TEE
8		9999422982	1	BLOCK
9		9999424443	4	CLAMP, HALF
10		9999419436	1	PLUG
11		9999424696	12	CAPSCREW
12		9999424877	14	LOCK WASHER
13		9999424432	3	O-RING
14		9999424492	1	ELBOW, 90
15		9999424918	1	HOSE ASSY
17		9999424700	2	CAPSCREW
18		9999430677	1	ELBOW, 90
19		9999428814	1	ELBOW, 45
20	+	9999423454	1	HYD LINES, PUMP
21		9999422521	1	TEE
22		9999430676	1	TEE
23		9999424503	1	TEE
24	+	9999423453	1	HYD LINES, SUCTION
25		9999430641	1	BRKT
26		9999419659	2	CAPSCREW
27		9999424567	2	NUT
28		9999430643	1	FLANGE
29		9999430642	1	FLANGE
30		9999430638	1	PLUG
31		9999430640	4	NUT
32		9999403171	4	BOLT
33		9999430644	1	COVER
34		9999430680	1	HOSE ASSY
35		9999408888	2	CONNECTOR
36		9999430637	1	TRIM
37		9999430639	1	CONNECTOR

+ SEE FURTHER BREAKDOWN THIS GROUP





SECTION B-B

VIEW A

Manitowoc

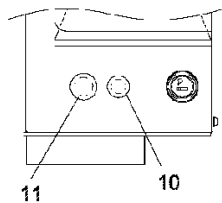
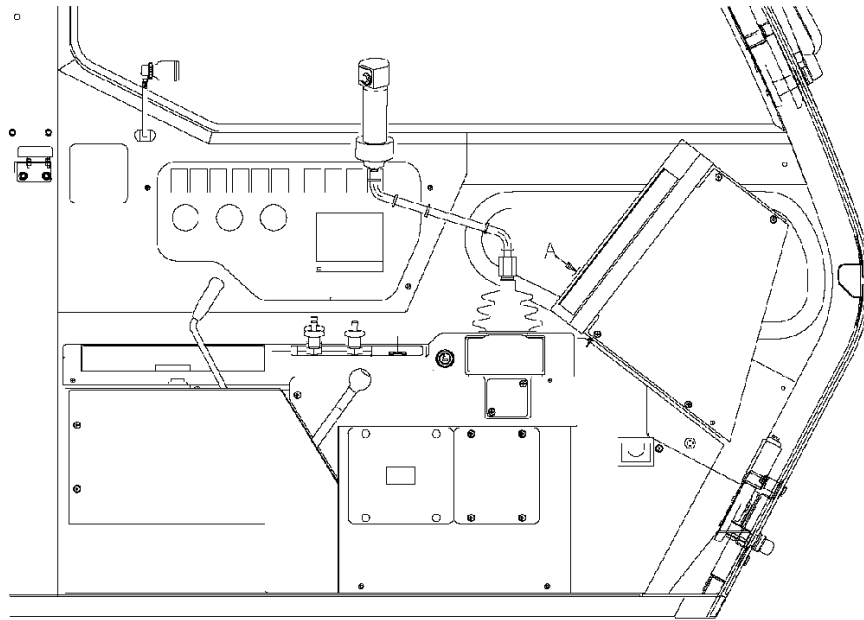
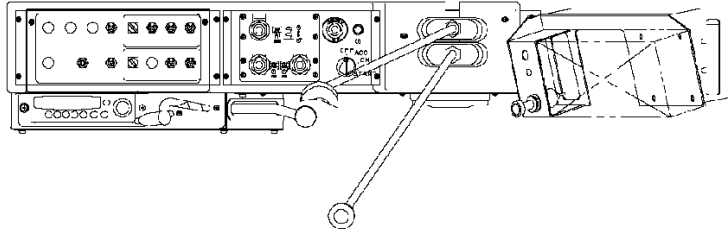
Notes

Manitowoc

Notes

Manitowoc

PANEL ASSY, CONSOLE
SWING FREE



VIEW A

Manitowoc

Notes

Manitowoc

Notes

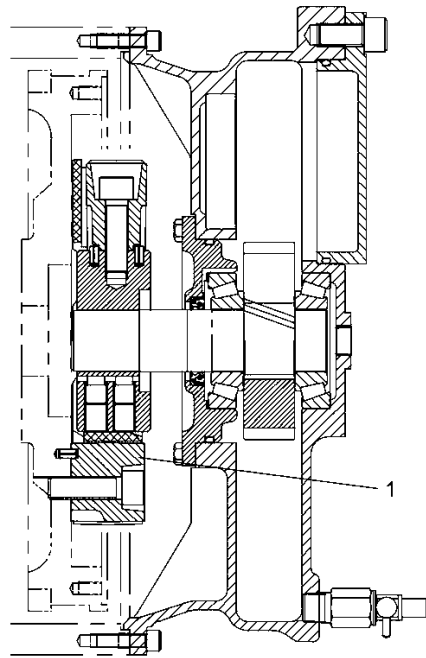
Manitowoc

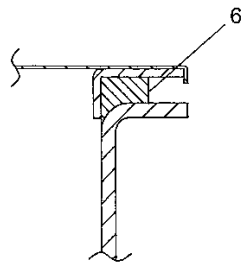
Description
DECK ASSY, L/H

Assembly No.
9999428088
Revision:

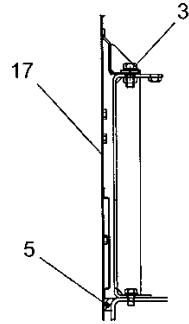
Item	FN	Part	Qty	Description
1		9999428086	1	DECK, L/H
2		9999428085	1	DECK, L/H
3		9999428087	1	DECK, L/H
4		9999428084	1	DECK, L/H
5		9999428102	1	COVER
6		9999424526	2	SEMS-BOLT

COUPLING

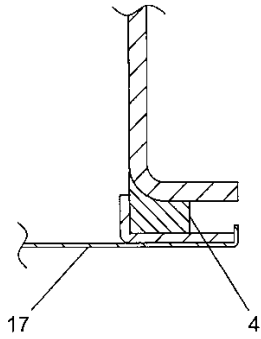




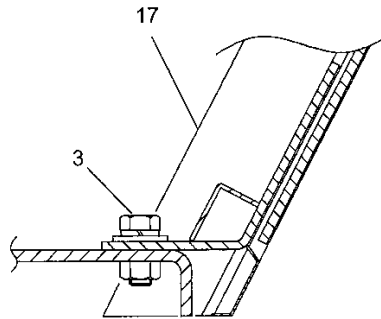
SECTION B-B



SECTION D-D

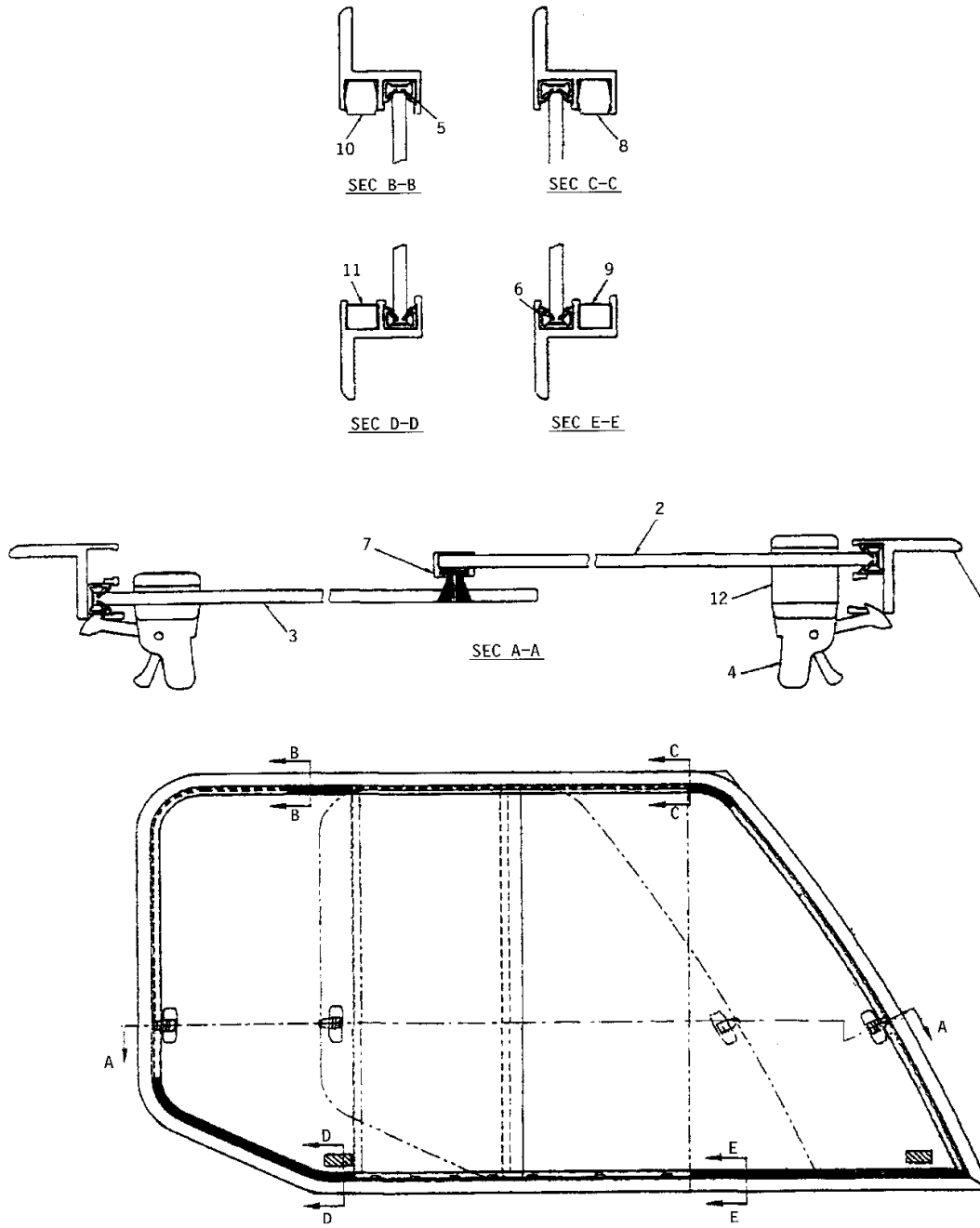


SECTION C-C



SECTION E-E

Manitowoc



Manitowoc

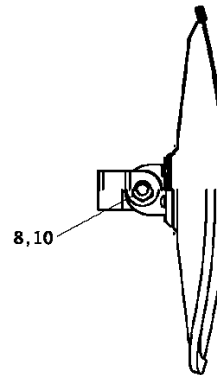
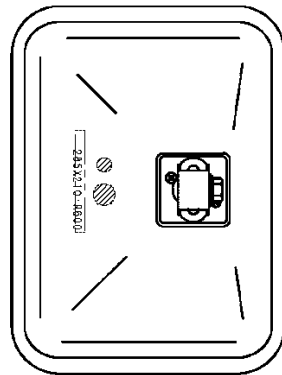
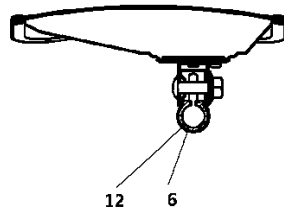
Description
DOOR ASSY

Assembly No.
9999427382
Revision:

Item	FN	Part	Qty	Description
97-5		9999427349	1	ROD
97-6		9999427749	2	NUT
97-7		9999424548	2	NUT
97-8		9999427343	1	NUT
97-9		9999424550	1	NUT
97-10		9999427344	1	HOLDER
97-11		9999427348	2	HOLDER
97-12		9999427369	1	SEAL
98		9999427345	1	ROD
99		9999427392	1	ROD
100		9999427393	1	ROD
101		9999427350	1	RUBBER
102		9999427351	3	HOLDER
103		9999427338	4	WASHER,
104		9999427369	1	SEAL
105		9999427754	10	CLIP
106		9999427396	2	STRIP, WEATHER
107		9999427340	1	STRIP, WEATHER

Manitowoc

MIRROR



Manitowoc

Description

INSULATION ASSY (L.H. GUARD)

Assembly No.

9999427842

Revision:

Item	FN	Part	Qty	Description
24		9999428055	2	INSULATION
30		9999428061	1	INSULATION

Manitowoc

Notes

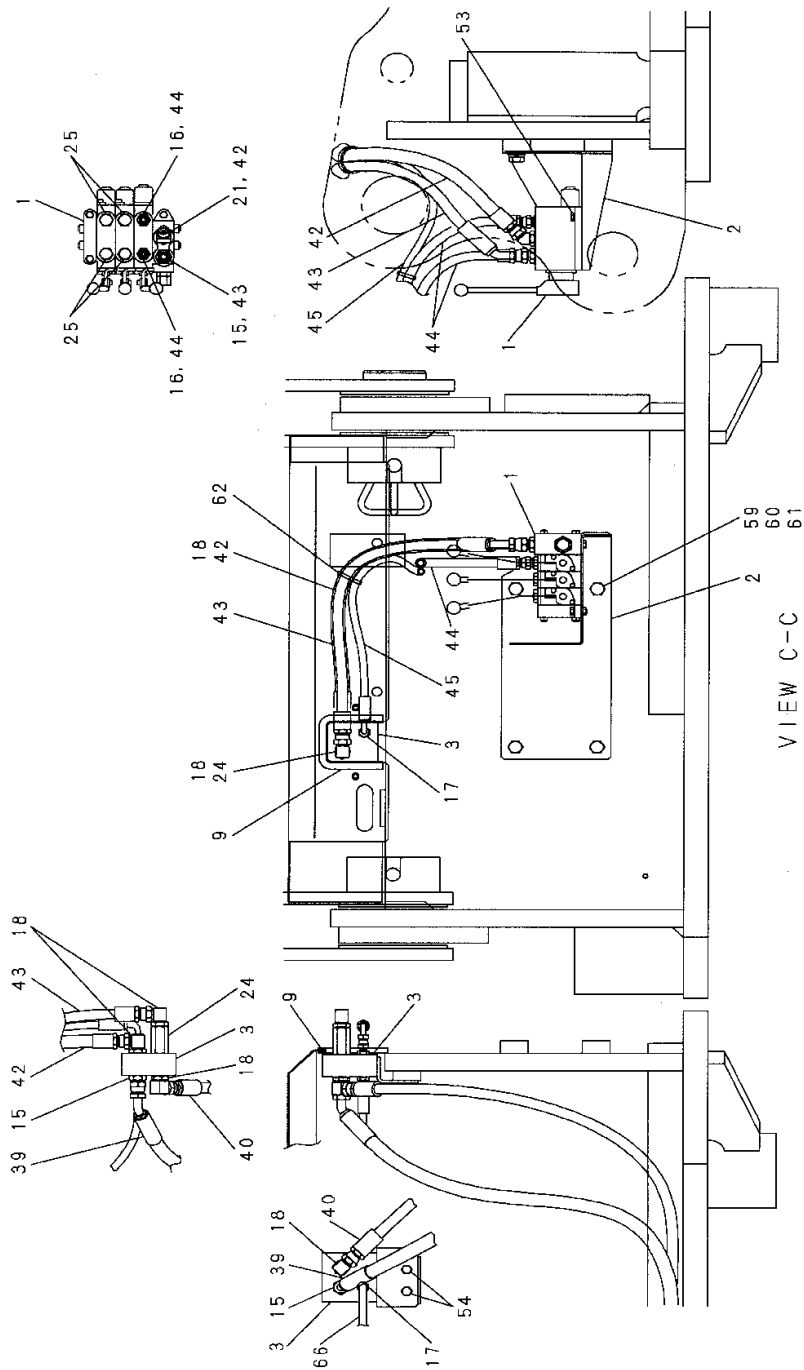
Manitowoc

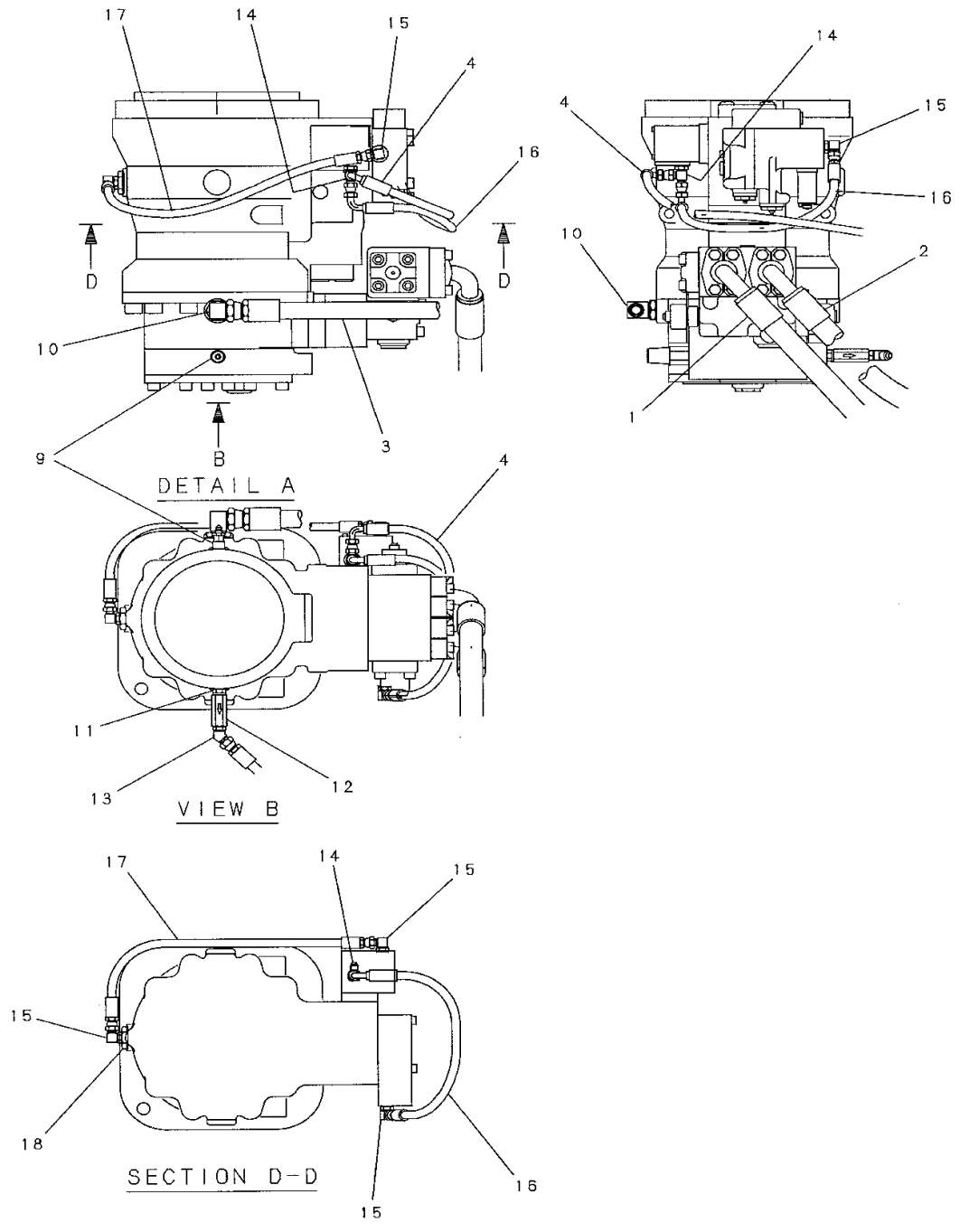
Description
BACKSTOP ASSY

Assembly No.
9999428354
Revision:

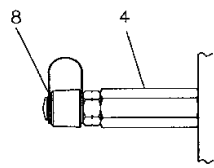
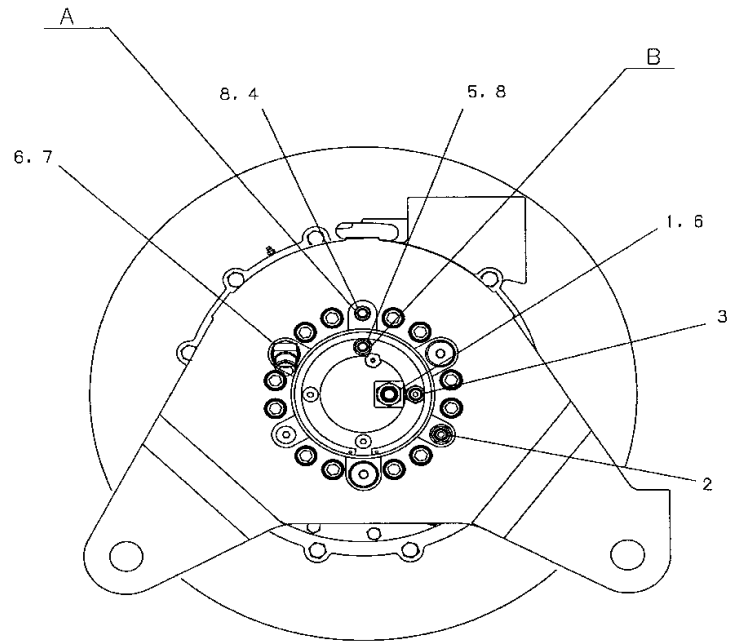
Item	FN	Part	Qty	Description
13	+	9999428355	1	BOOM BACKSTOP ASSY

+ SEE FURTHER BREAKDOWN THIS GROUP

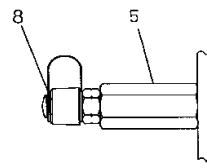




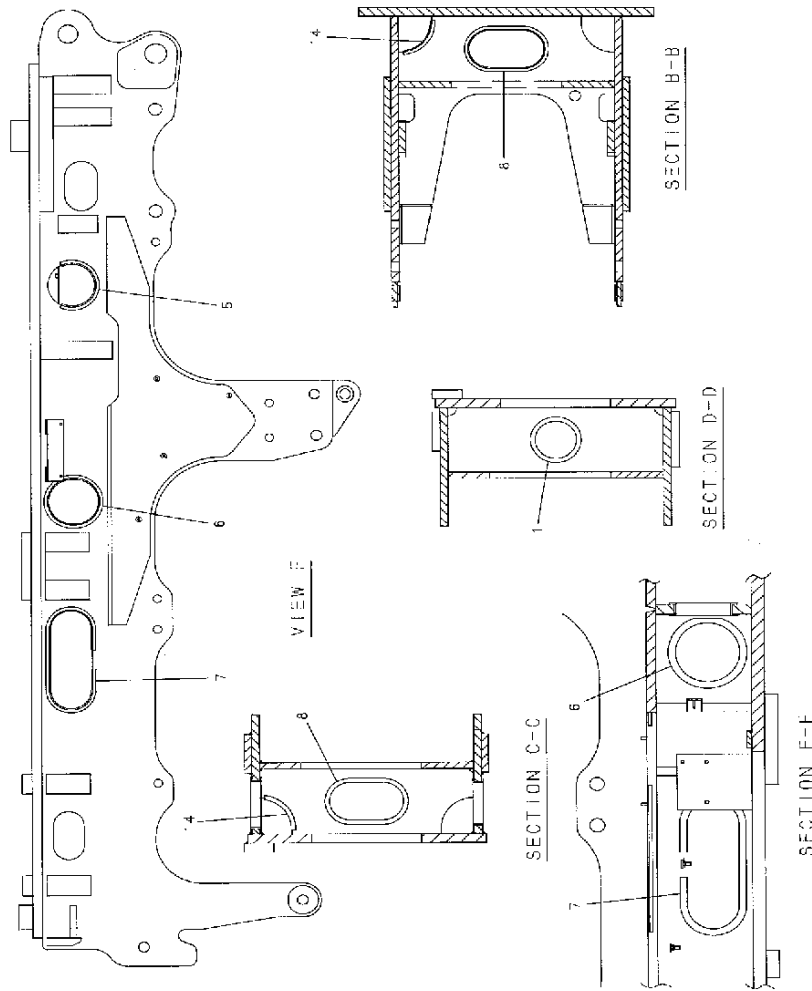
Manitowoc

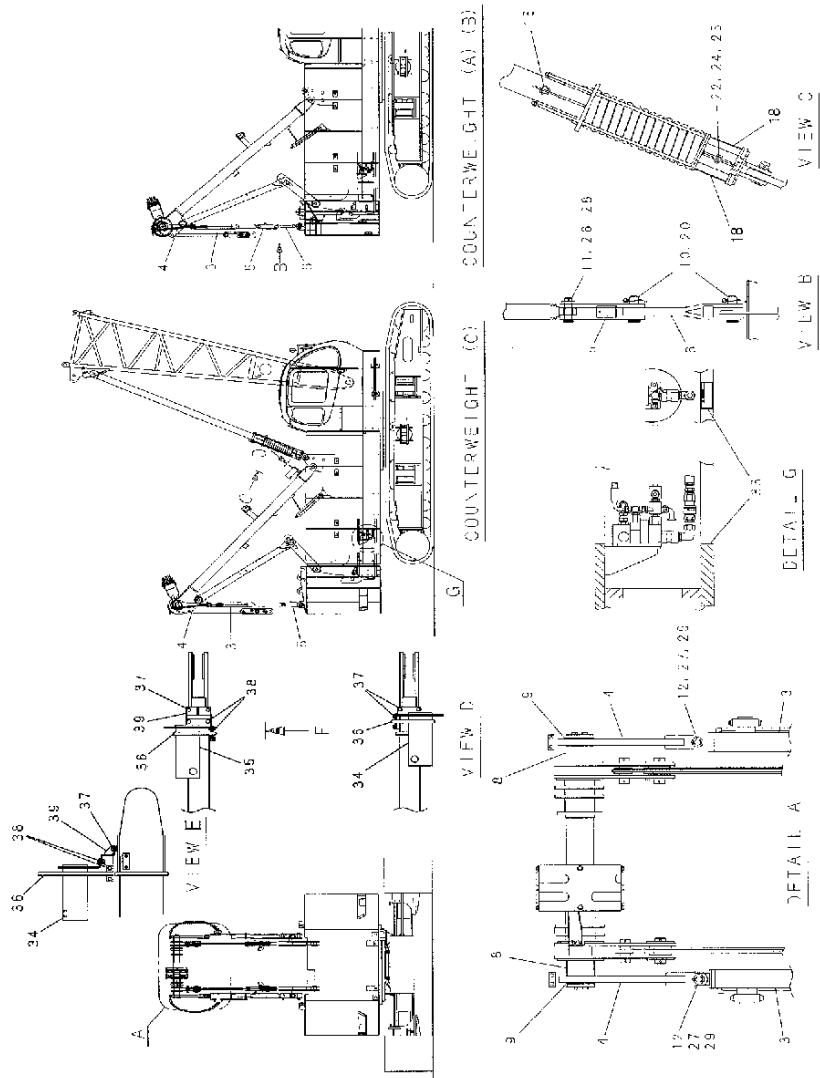


DETAIL A



DETAIL B





Manitowoc

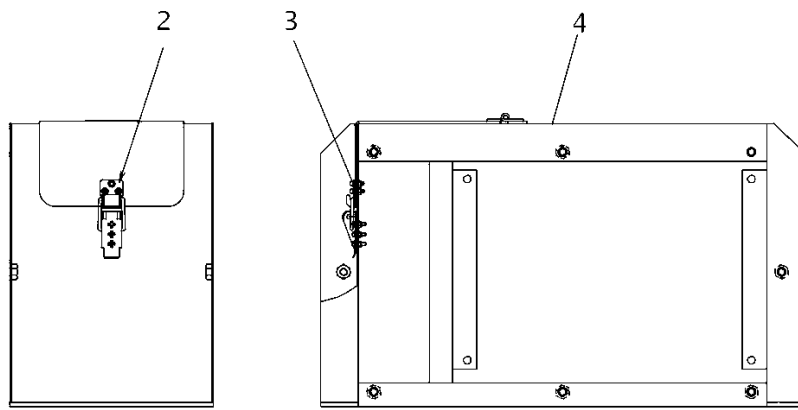
Description
A/C INDOOR UNIT

Assembly No.
9999429420
Revision:

Item	FN	Part	Qty	Description
18		9999422861	1	BRACKET
20		9999424537	27	SEMS-BOLT
22		9999424510	2	SEMS-BOLT
23		9999422878	6	MACHINE SCREW
24		9999423269	7	WASHER,
26		9999422194	2	WASHER,
27		9999404506	4	CLIP
28		9999406575	2	MACHINE SCREW
29		9999406881	4	BAND
30		9999406882	2	BAND
31		9999406883	5	SEMS-BOLT
32		9999422879	1	BRACKET
34		9999406880	1	NOZZLE
35		9999406877	1	NOZZLE
36		9999422868	1	BRACKET
38		9999422877	4	BRACKET
46		9999423251	1	CONDITIONER ASSY,AIR NOT SHOWN
46-2		9999422859	1	DUCT
46-3		9999422860	1	DUCT
46-4		9999422862	1	DUCT
46-5		9999422706	1	DUCT
46-6		9999422710	1	HOSE ASSY, USE AS REQUIRED
46-7		9999422711	1	HOSE ASSY, USE AS REQUIRED
46-9		9999422707	1	HOSE ASSY, USE AS REQUIRED
46-11		9999422867	1	DUCT
46-12		9999422866	3	GRILL
46-13		9999422881	2	HOSE ASSY, USE AS REQUIRED
46-17		9999422880	2	CLIP
46-18	+	9999423252	1	AIR CONDITIONER UNIT
46-19		9999407184	1	PANEL ASSY
46-20		9999430015	1	HOSE
46-21		9999430016	1	HOSE
47		9999422871	1	DUCT ASSY

+ SEE FURTHER BREAKDOWN THIS GROUP

COVER ASSY



Manitowoc

Description

MIRROR

Assembly No.

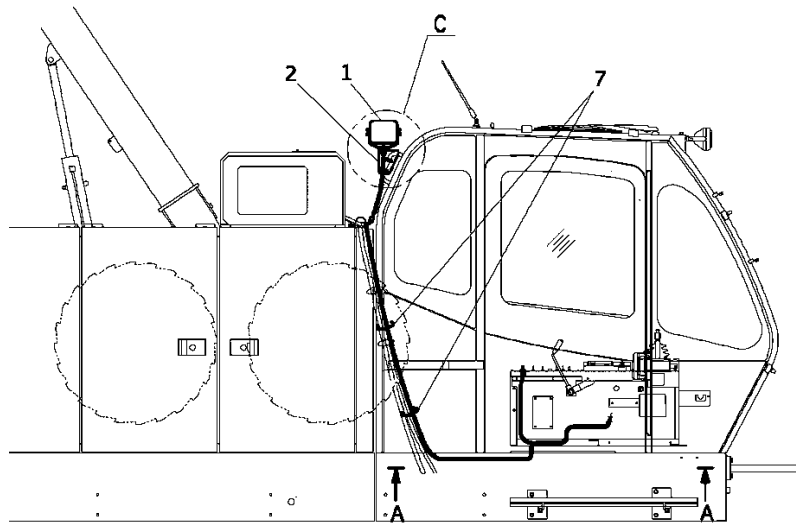
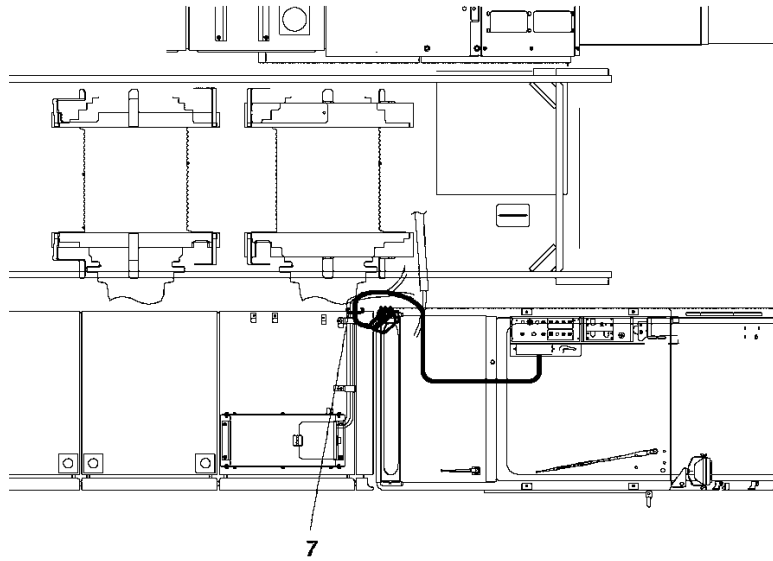
9999407300

Revision:

Item	FN	Part	Qty	Description
6		9999425410	1	BRACKET
8		9999425411	1	BOLT
10		9999425412	1	NUT
12		9999425413	1	COLLAR

Manitowoc

LIGHT INSTAL OPTION



Manitowoc

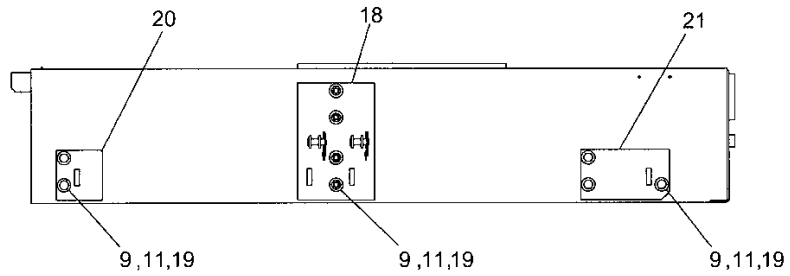
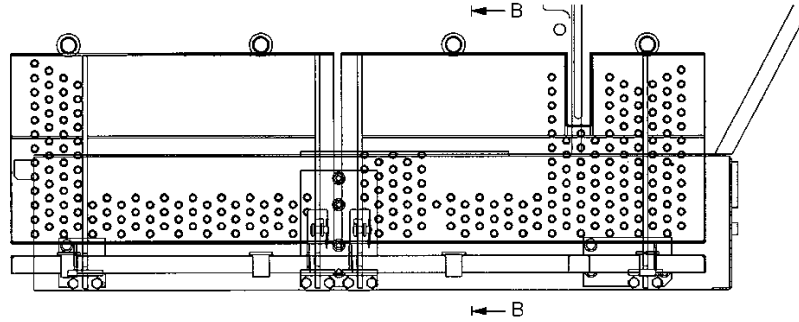
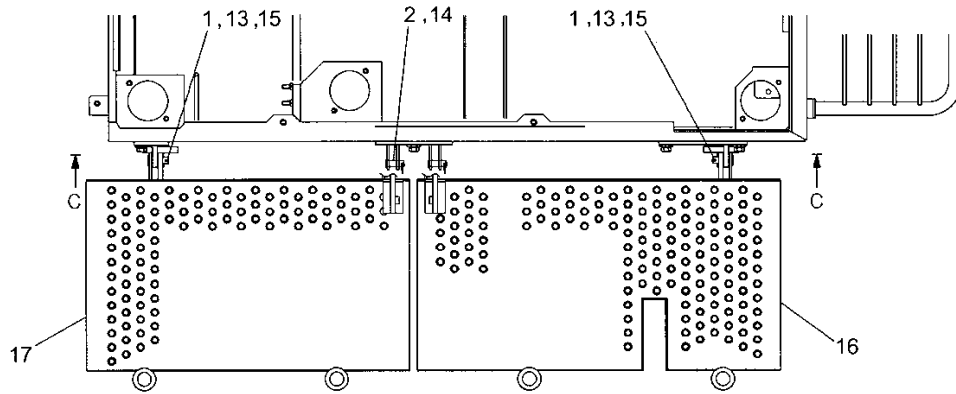
Description
GUARD ASSEMBLY

Assembly No.
9999425434
Revision:

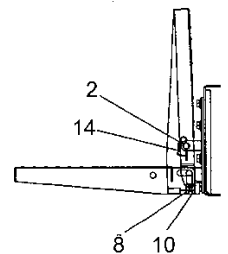
Item	FN	Part	Qty	Description
2		9999426089	1	BRACKET
3		9999426090	1	CHANNEL, RUBBER
4		9999424567	2	NUT
5		9999424877	2	LOCK WASHER
6		9999424855	2	WASHER,
7		9999425435	1	GUARD

Manitowoc

STEP ASSY RIGHT DECK/OPTION



SECTION C-C



SECTION B-B

Manitowoc

Description

HANDRAIL ASSY TOP FACE OF LH GUARD

Assembly No.

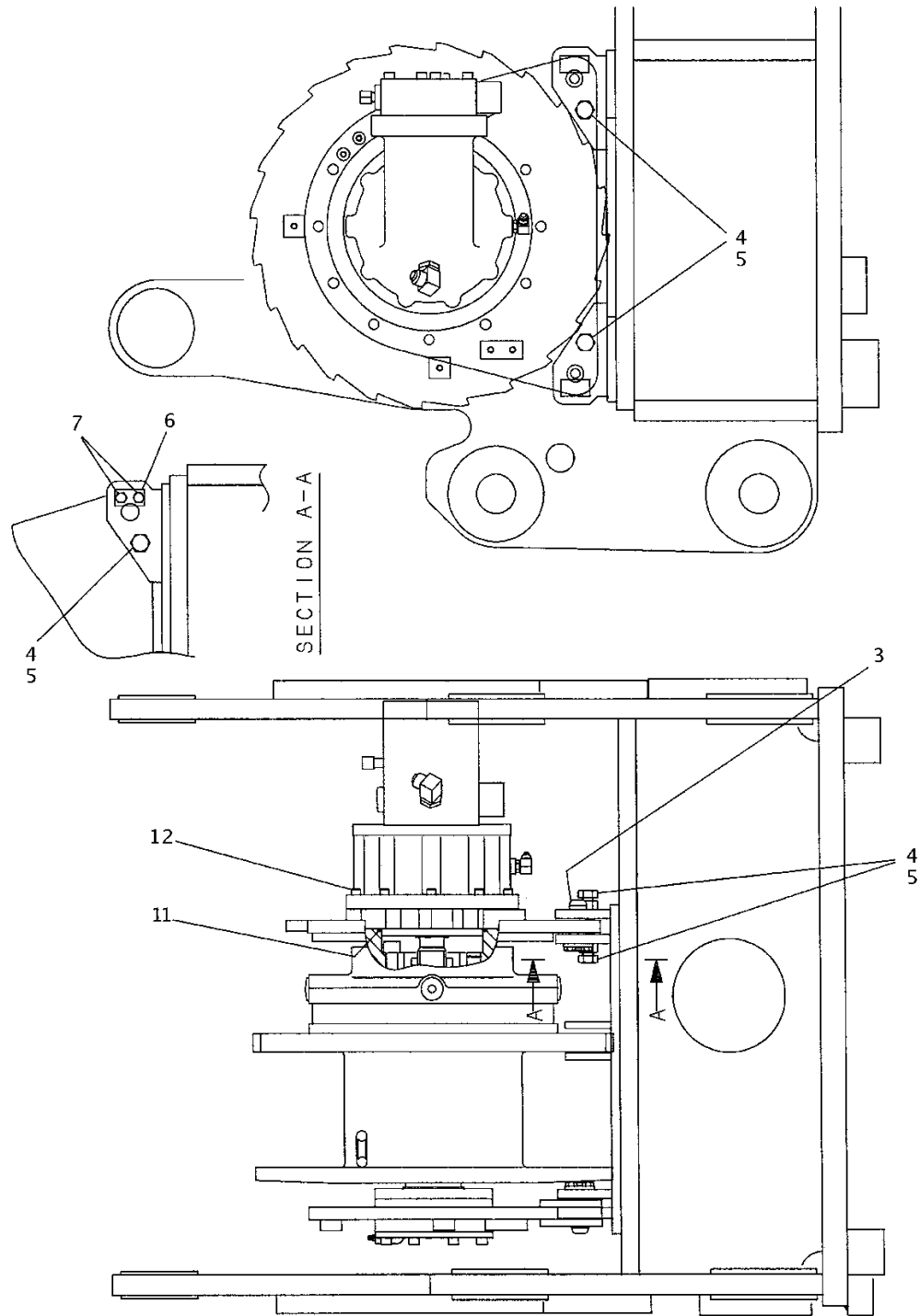
9999429973

Revision:

Item	FN	Part	Qty	Description
9		9999424526	16	SEMS-BOLT
14		9999430126	2	HANDRAIL

Manitowoc

WINCH INSTAL



Manitowoc

Description

SWING REDUCT INSTAL

Assembly No.

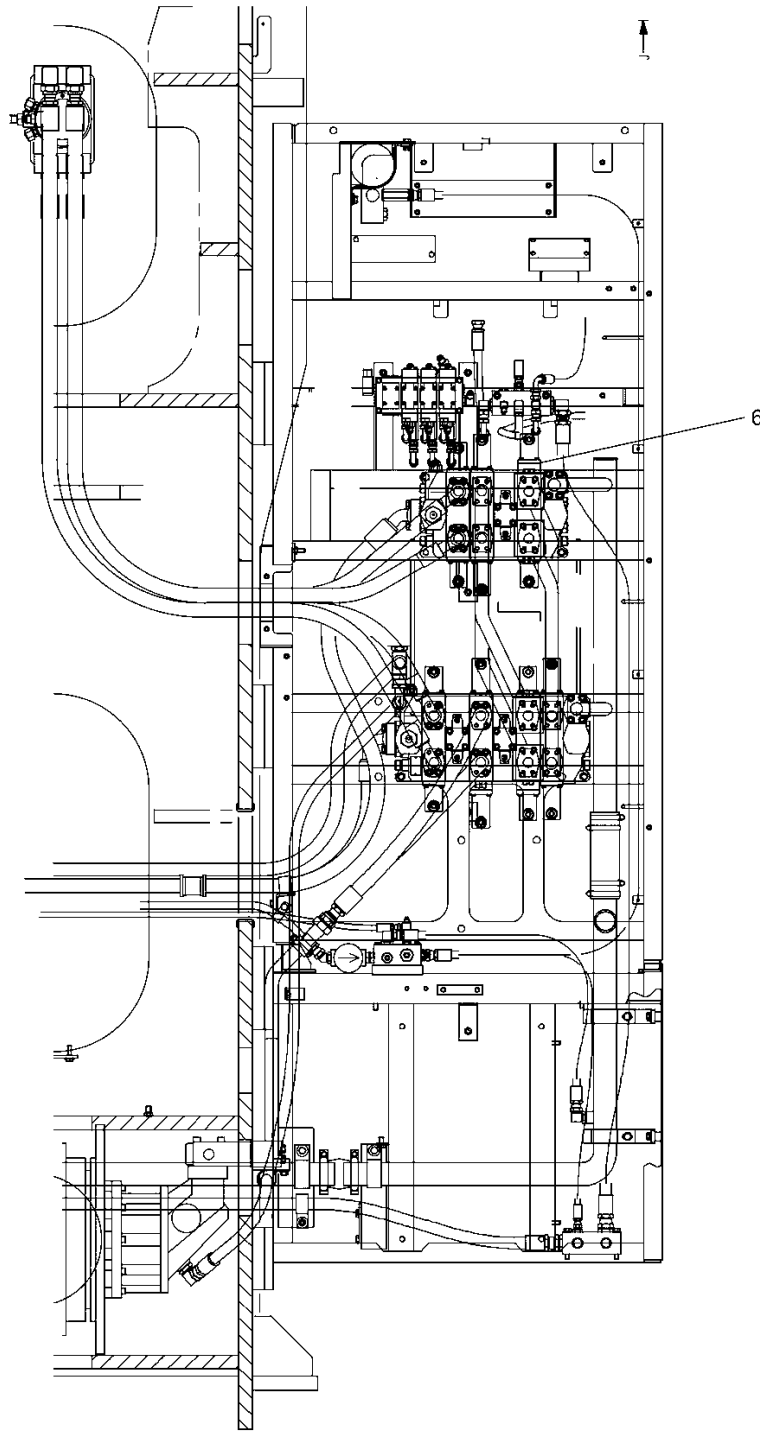
9999425571

Revision:

Item	FN	Part	Qty	Description
1	+	9999421465	1	SWING REDUCT INSTAL
1-3		9999422558	1	O-RING
1-4		9999424719	4	CAPSCREW
2		9999408820	24	CAPSCREW

+ SEE FURTHER BREAKDOWN THIS GROUP

VALVE ASSY, CONTROL



Manitowoc

Description

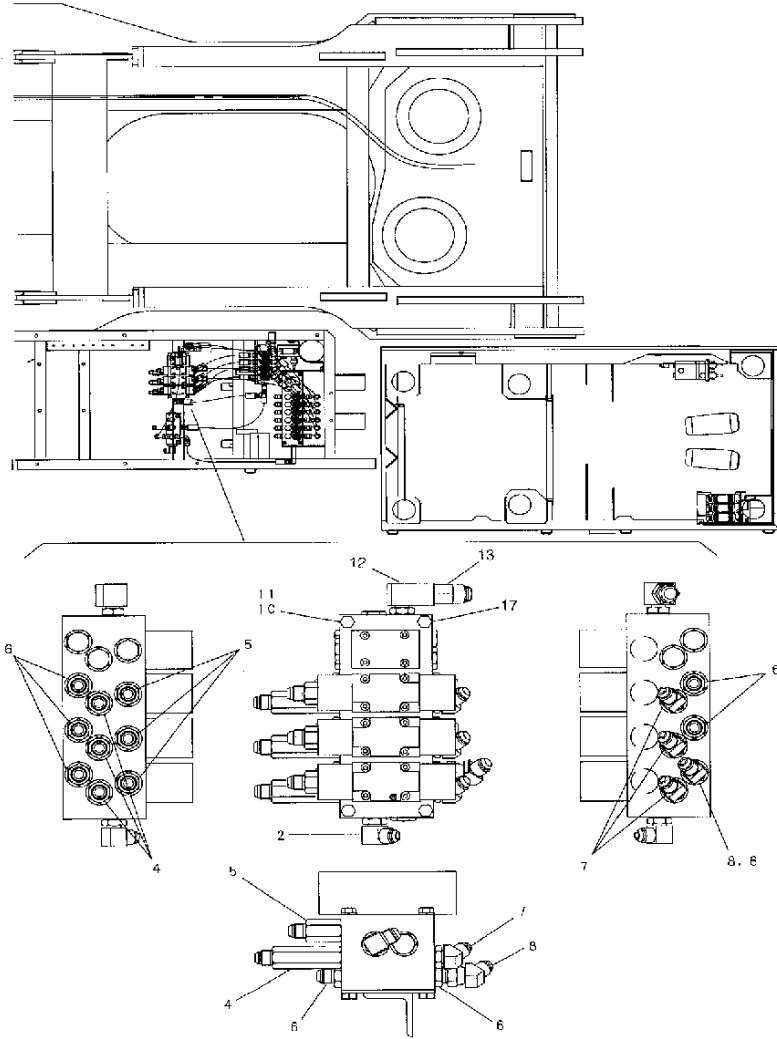
4-SECTION VALVE ASSY (WITH FREE FALL)

Assembly No.

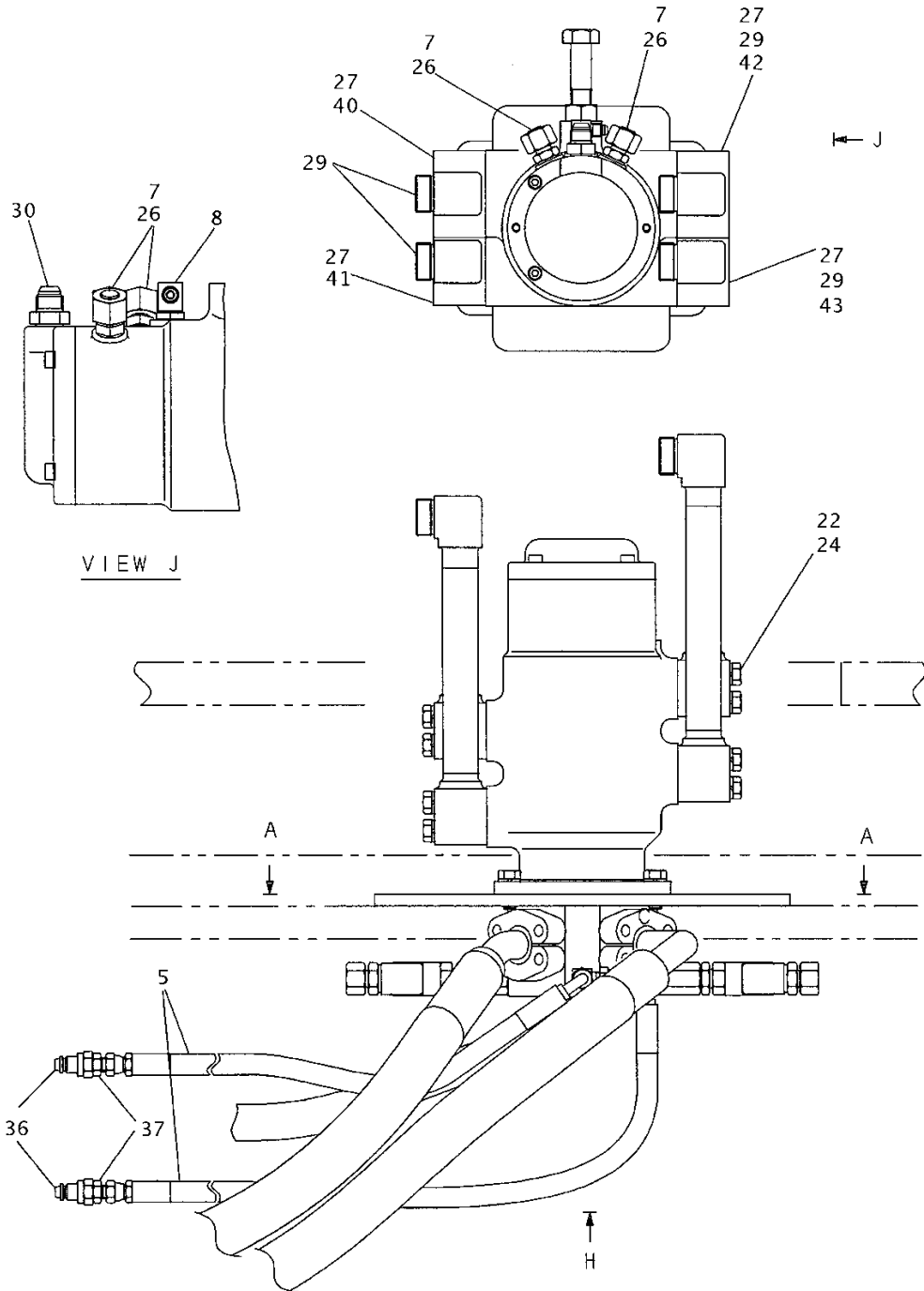
9999425647

Revision:

Item	FN	Part	Qty	Description
1		9999421488	1	VALVE ASSY, SOLENOID
3		9999429425	2	CONNECTOR
4		9999408706	1	ELBOW, 90
5		9999424358	1	ELBOW, 90
8		9999424046	2	CONNECTOR
9		9999424475	1	CONNECTOR
10		9999424486	1	ELBOW, 90
11		9999424353	2	CONNECTOR
12		9999424490	3	ELBOW, 90
13		9999424060	2	ELBOW, 90
14		9999422549	1	ELBOW
15		9999424914	1	HOSE ASSY
16		9999424947	1	HOSE ASSY
17		9999424944	1	HOSE ASSY
19		9999424082	4	CAPSCREW
20		9999424866	4	LOCK WASHER
21		9999424488	2	ELBOW, 90
22		9999424048	2	CONNECTOR
23		9999426214	1	CONNECTOR
24		9999426022	2	SENSOR, PRESS

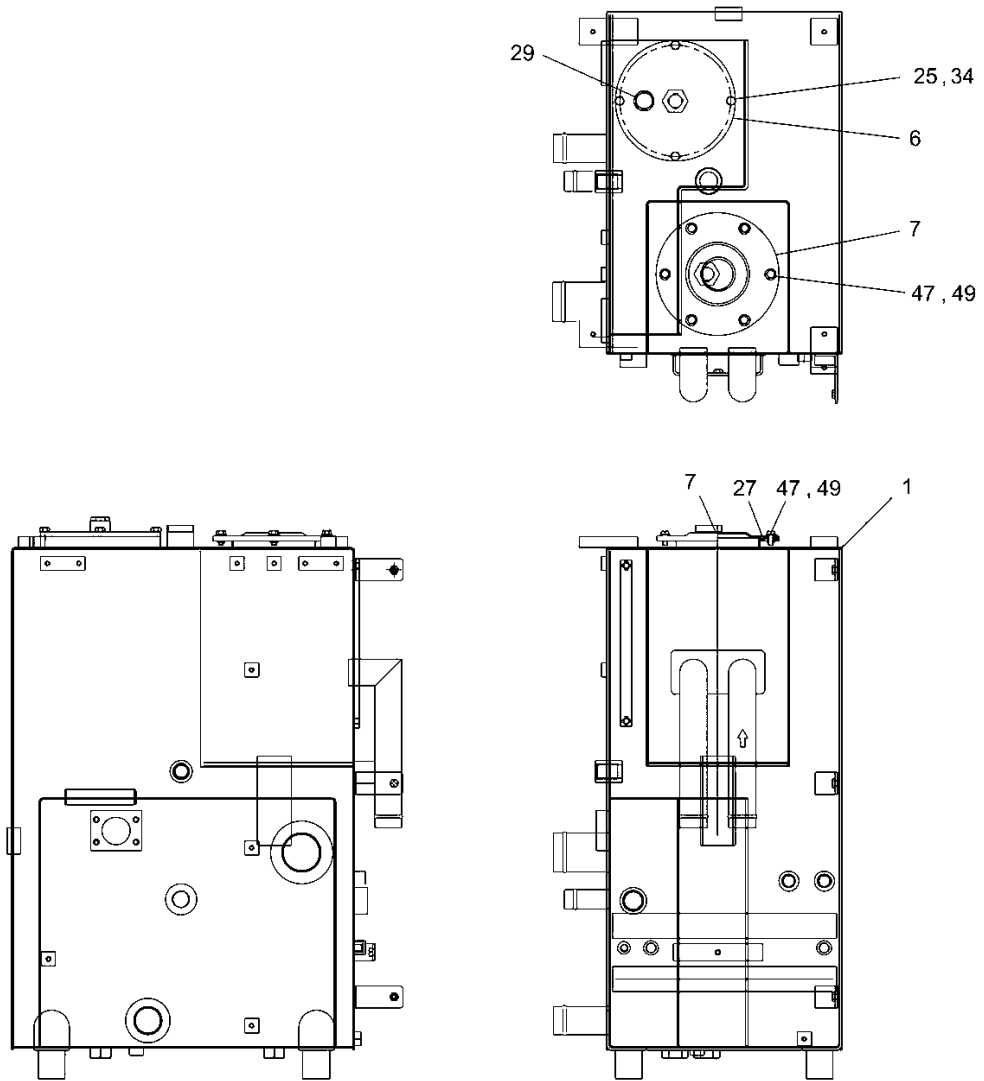


Manitowoc



Manitowoc

TANK ASSY, HYD



Manitowoc

Description
WINCH ASSY (MAIN)

Assembly No.
9999425430
Revision:

Item	FN	Part	Qty	Description
2		9999424751	4	CAPSCREW
3		9999419263	1	O-RING

Manitowoc

Description

REDUCTION ASSY,WINCH

Assembly No.

9999430623

Revision:

Item	FN	Part	Qty	Description
37		9999430650	1	SUPPORT

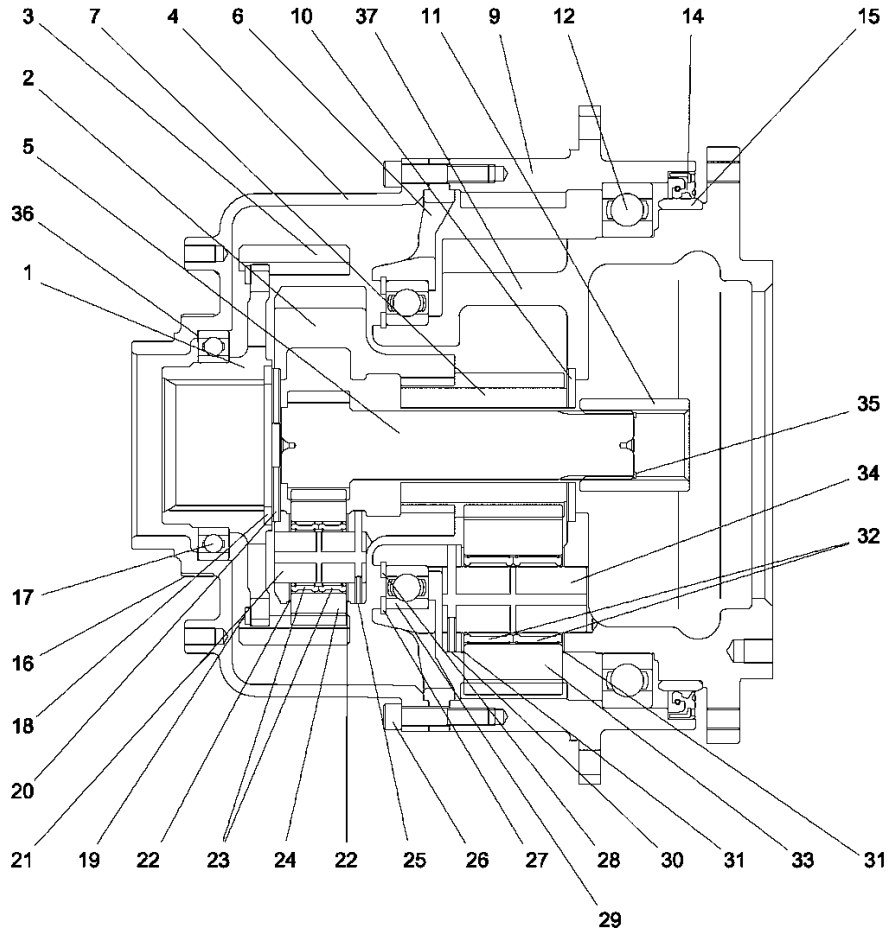
Manitowoc

Description
WINCH ASSY FRT

Assembly No.
9999429524
Revision:

Item	FN	Part	Qty	Description
2		9999423042	1	PLATE
3		9999407614	1	PLATE
4		9999424662	30	CAPSCREW
5		9999424752	12	CAPSCREW
7		9999425431	1	WINCH ASSY, 3RD

REDUCTION ASSY, WINCH MAIN / AUX. / THIRD (OPTION)



Manitowoc

Description
WINCH ASSY

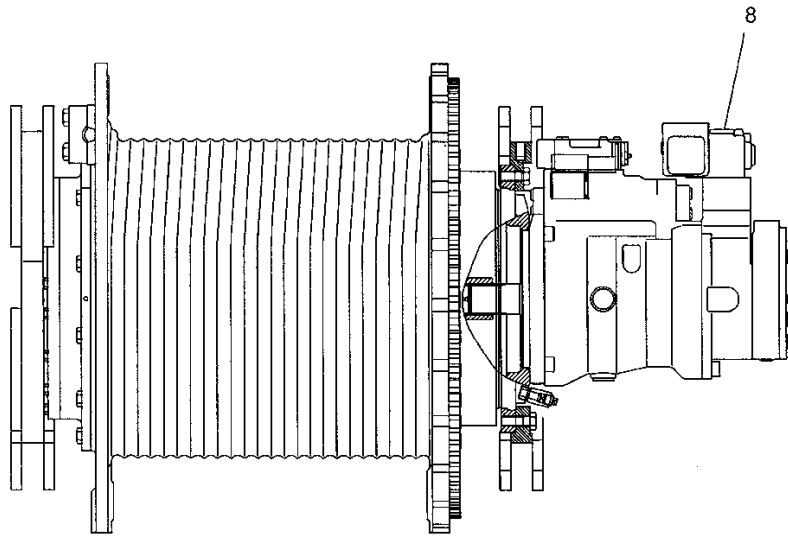
Assembly No.
9999430412
Revision:

Item	FN	Part	Qty	Description
4		9999424661	24	CAPSCREW
6		9999424101	1	TUBE
7		9999430157	1	PLUG
8		9999407622	1	BLOCK
9		9999419491	1	CONNECTOR
10		9999407623	1	TUBE
11		9999424332	1	BREATHER
12		9999424456	2	PLUG
13		9999423684	1	GAUGE, LEVEL, OIL
14		9999423033	2	PLUG
15		9999424430	2	O-RING
16		9999423034	4	PLUG
17		9999425036	4	O-RING
18		9999423021	4	PLUG
19		9999424431	4	O-RING
20		9999424453	2	PLUG
21		9999421341	3	NIPPLE, GREASE
22		9999422650	3	CAP
24		9999423002	2	PLATE
25		9999424726	4	CAPSCREW
26		9999425445	1	DRUM, WINCH
29		9999426489	11	CAPSCREW
35		9999430196	1	BRAKE ASSY, WINCH
36	+	9999430417	1	REDUCTION ASSY,WINCH MAIN / AUX. / THIRD

+ SEE FURTHER BREAKDOWN THIS GROUP

Manitowoc

MOTOR ASSY, HYD
MAIN / AUX. / THIRD (OPTION)



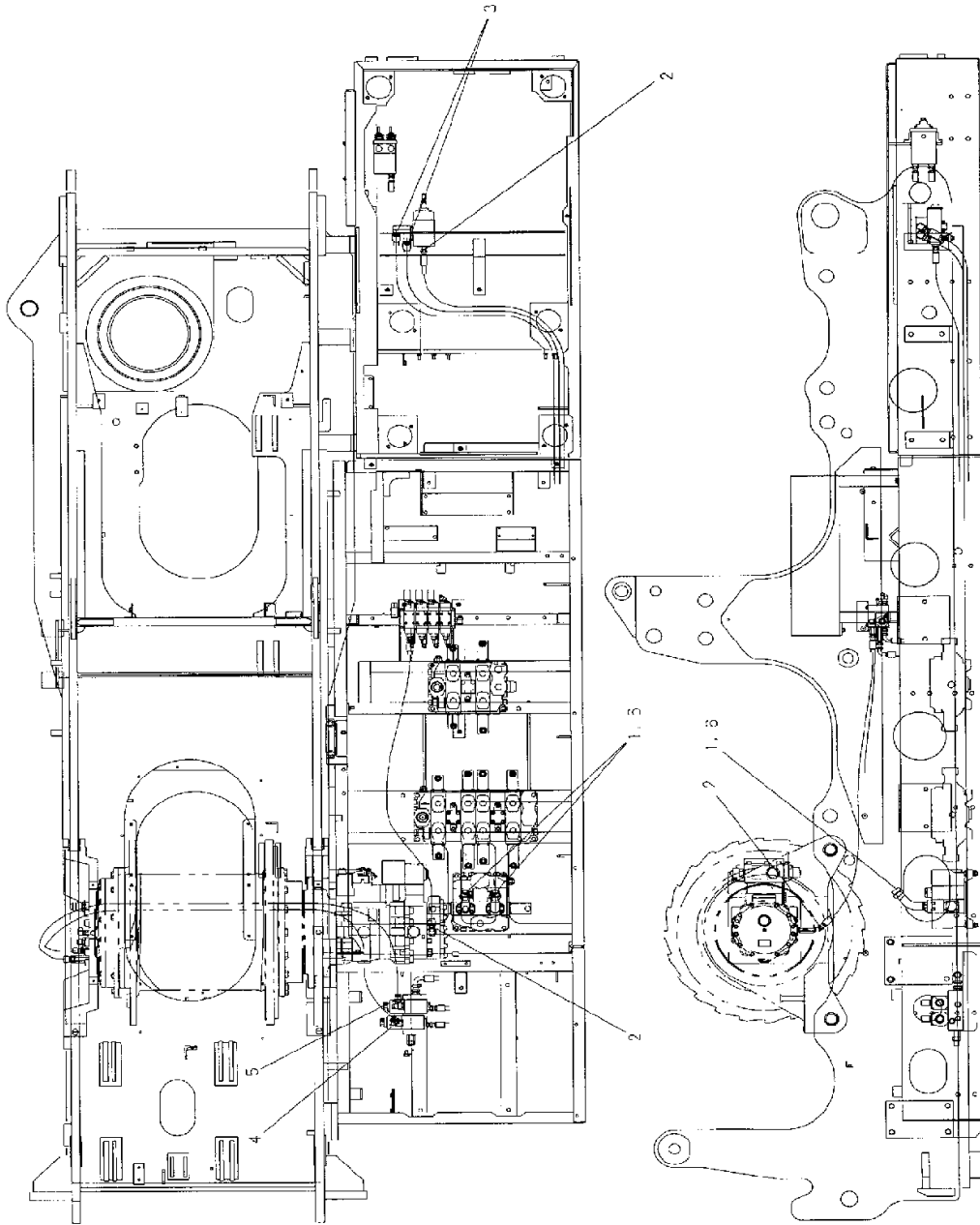
Manitowoc

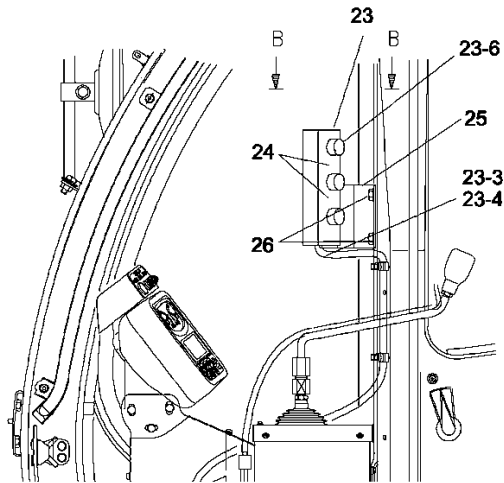
Description
REDUCTION UNIT ASSY

Assembly No.
9999421463
 Revision:

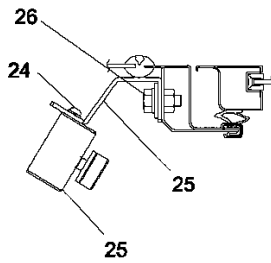
Item	FN	Part	Qty	Description
1		9999423502	1	HUB
2		9999423492	1	SPIDER
3		9999423490	1	GEAR, RING
4		9999423495	1	HOUSING
5		9999423491	1	GEAR, SUN
6		9999423496	1	RETAINER
7		9999423474	1	GEAR, SUN
8		9999423497	1	SUPPORT
9		9999423493	1	GEAR, RING
10		9999423476	1	SPACER
11		9999423477	1	COLLAR
12		9999423478	1	BEARING, BALL
13		9999423479	1	RING, RETAINING
14		9999423480	1	OIL SEAL
15		9999423481	1	SLEEVE
16		9999423498	1	SLEEVE
17		9999423501	1	BEARING, BALL
18		9999423483	1	WASHER, THRUST
19		9999423499	2	RING, RETAINING
20		9999423484	1	SPACER
21		9999423485	3	PIN
22		9999423486	6	WASHER, THRUST
23		9999423487	6	BEARING, NEEDLE
24		9999423494	3	PINION
25		9999424617	3	PIN, SPLIT
26		9999424748	20	CAPSCREW
27		9999424645	1	RING, RETAINING
28		9999424638	1	RING, RETAINING
29		9999422345	1	BEARING
30		9999424621	3	PIN, SPRING
31		9999423488	6	WASHER, THRUST
32		9999423489	6	BEARING, NEEDLE
33		9999423475	3	PINION
34		9999423482	3	PIN

PLUG ASSY



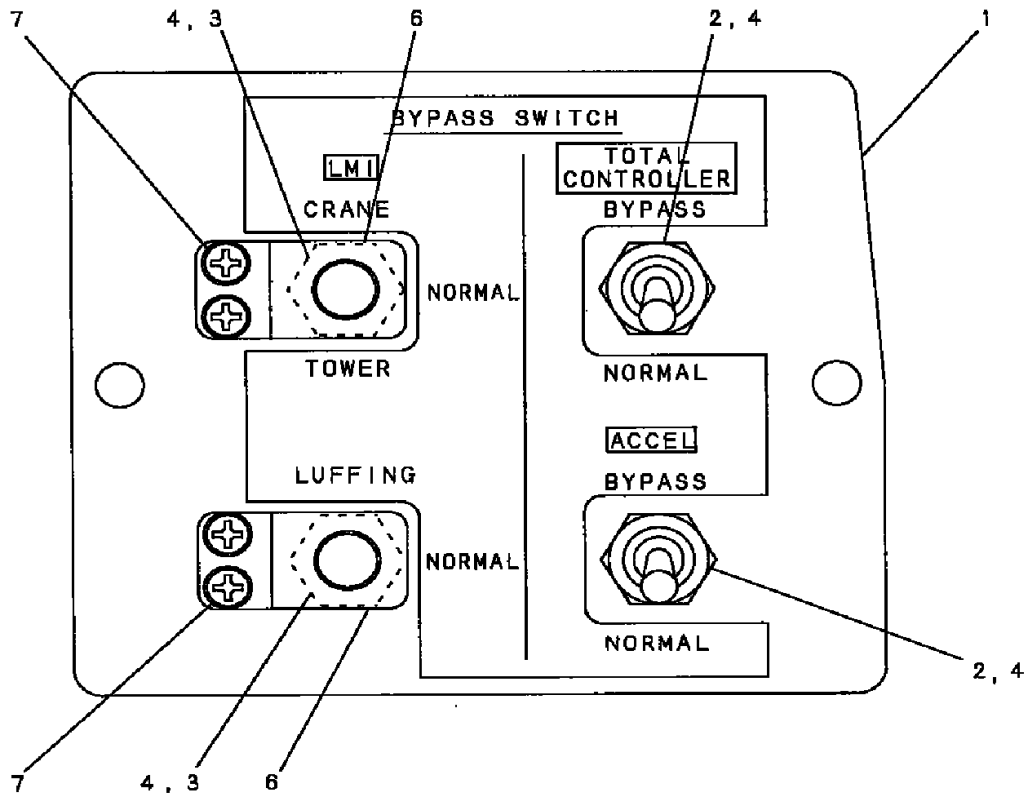


CAB INSERT VIEW (R. H. FRONT)



SECTION B-B

Manitowoc



Manitowoc

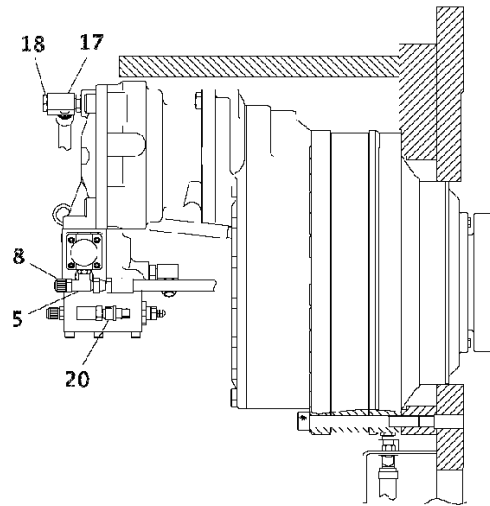
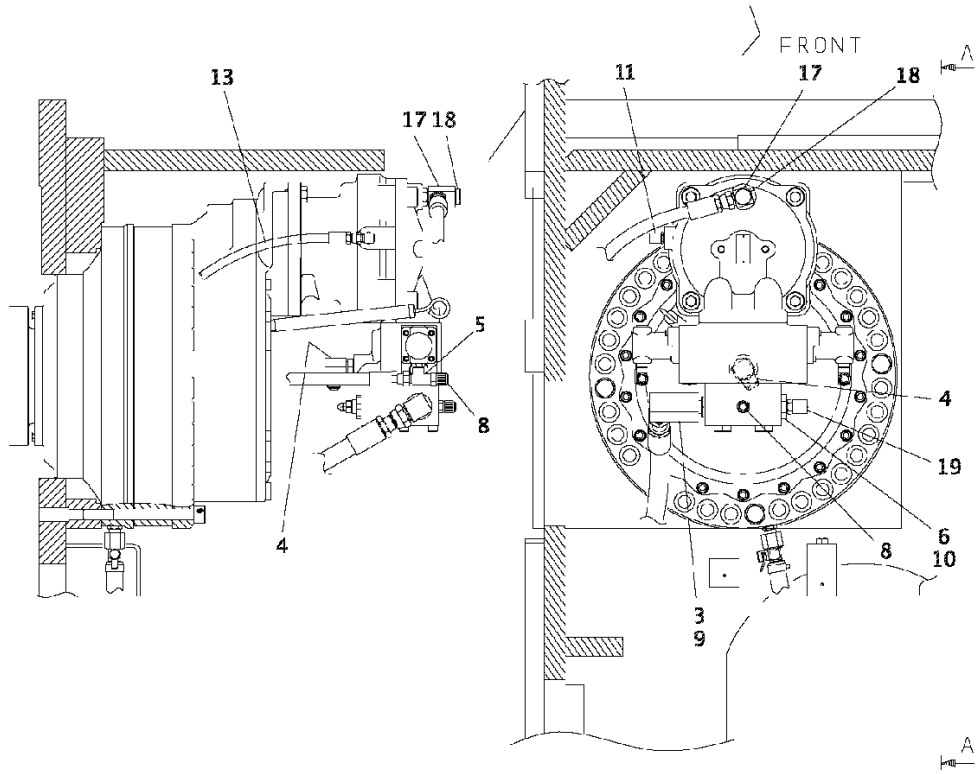
Description
GRIP ASSY (BOOM)

Assembly No.
9999421467
Revision:

Item	FN	Part	Qty	Description
1		9999425404	1	GRIP
2		9999425405	1	PLATE

Manitowoc

CONTROL LINES, SWING



VIEW A-A

CLICK HERE TO **DOWNLOAD** THE COMPLETE MANUAL

- Thank you very much for reading the preview of the manual.
- You can download the complete manual from: www.heydownloads.com by clicking the link below



- Please note: If there is no response to CLICKING the link, please download this PDF first and then click on it.

CLICK HERE TO **DOWNLOAD** THE COMPLETE MANUAL

Manitowoc

Description

DRUMLOCK ASSY (BOOM)

Assembly No.

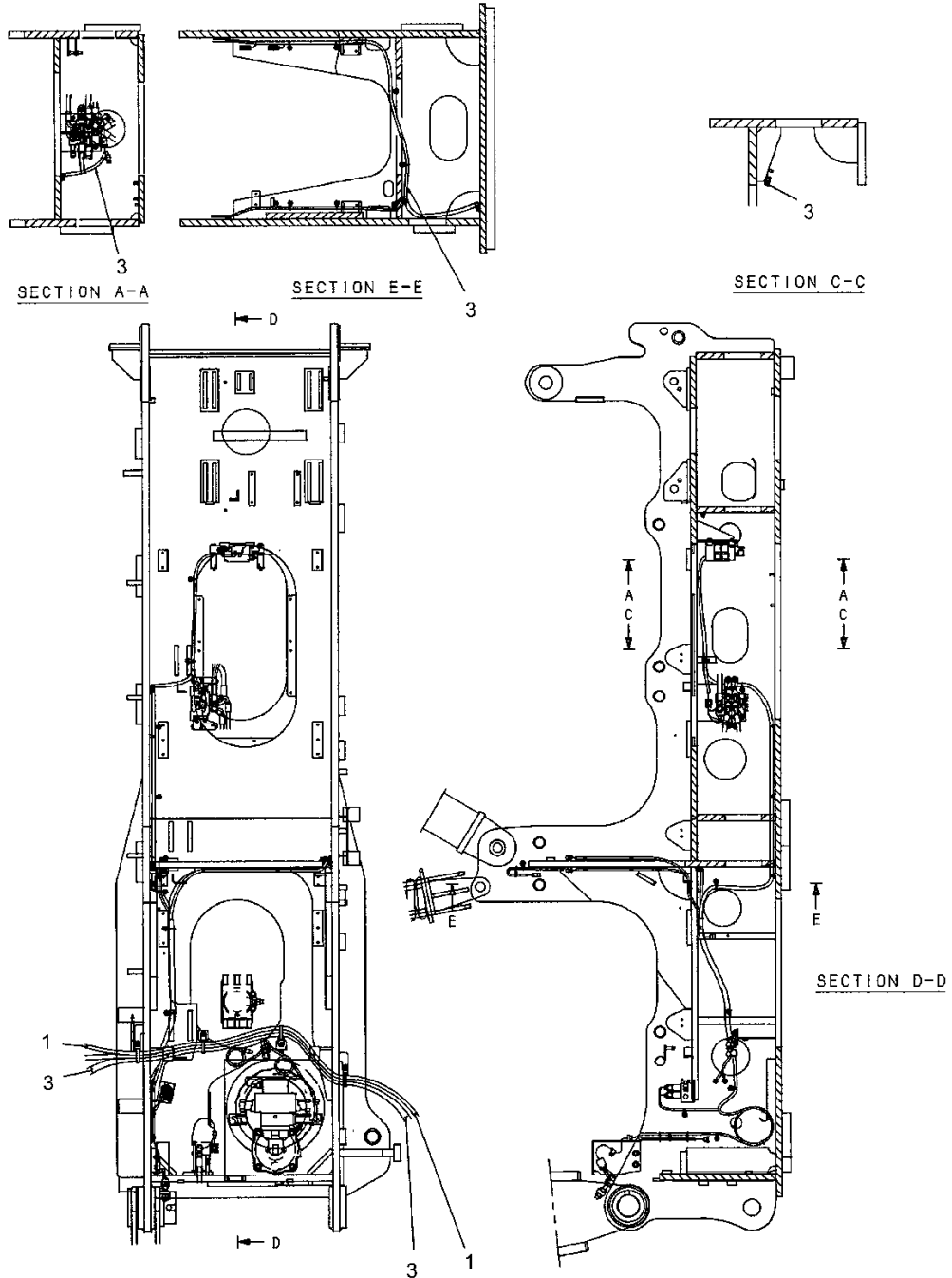
9999423809

Revision:

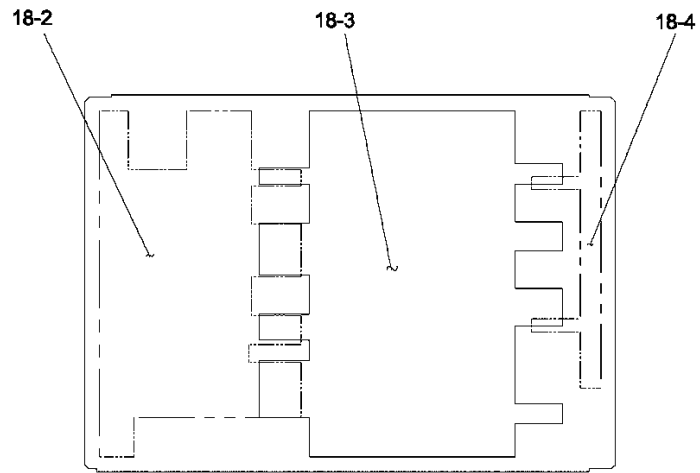
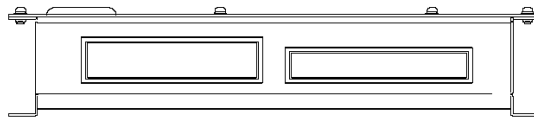
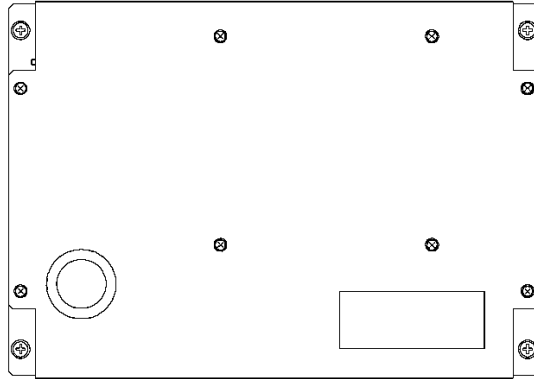
Item	FN	Part	Qty	Description
1		9999408351	1	PAWL
1-1		9999423814	1	PAWL
1-2		9999400296	1	BUSHING
2		9999408352	1	ROD
3		9999424078	2	SPRING
4		9999422959	1	PIN
5		9999402662	1	PLATE
6		9999407567	2	WASHER, THRUST
7		9999424494	1	ELBOW, 90
8		9999424692	2	CAPSCREW
9		9999424558	2	NUT
10		9999422194	2	WASHER,
11		9999424855	3	WASHER,
12		9999421432	1	CABLE, CONTROL
13		9999424391	1	CLIP
14		9999424565	1	NUT
15		9999424876	1	LOCK WASHER

Manitowoc

HARNES ASSY REV. FRAME



Manitowoc



DETAIL ITEM 18

Manitowoc

Notes

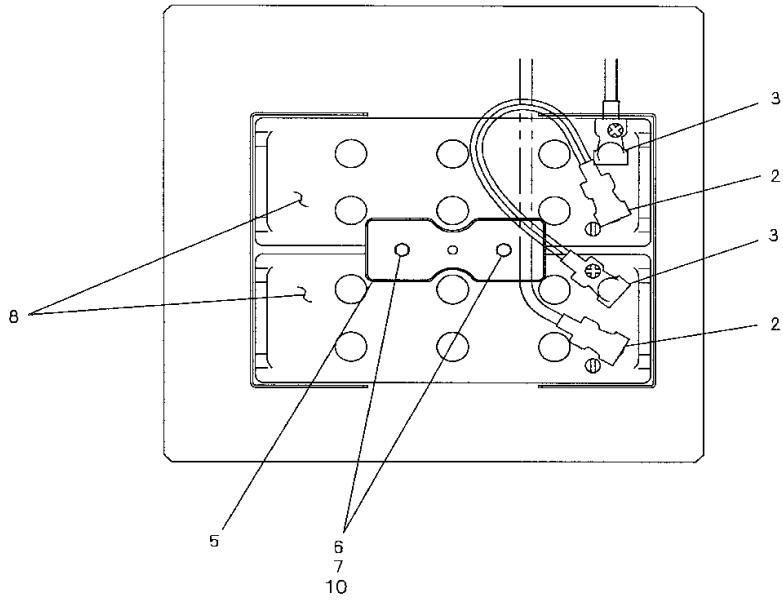
Manitowoc

Description
ELEC ASSY LH DECK

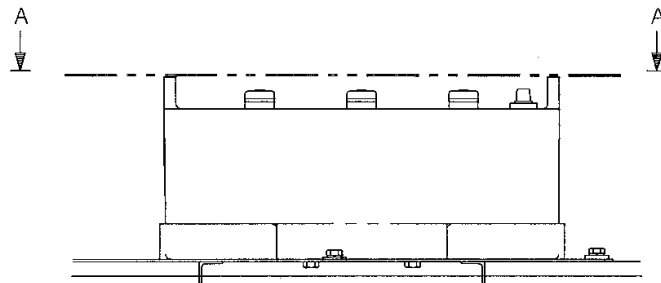
Assembly No.
9999429550
 Revision:

Item	FN	Part	Qty	Description
2		9999428269	1	BRACKET
3		9999428270	1	BRACKET
4		9999428271	2	BRACKET
5		9999428272	1	BRACKET
7	+	9999429541	1	RELAY ASSY
8		9999421228	1	HORN
9		9999428288	1	CLAMP
10		9999428337	2	SPACER
12		9999401830	1	CAP
13		9999401831	2	CAP
14		9999401832	3	CAP
15		9999427939	11	CLIP
16		9999427940	7	CLIP
17		9999408711	22	NUT
18		9999406279	1	CLIP
19		9999406277	6	CLIP
20		9999422675	27	CLIP
21		9999406278	2	CLIP
22		9999406254	2	CLIP
23		9999406256	7	CLIP
24		9999406261	1	CLIP
25		9999422657	2	CLIP
26		9999406262	2	CLIP
27		9999424398	1	CLIP
32		9999424853	1	WASHER,
33		9999424504	1	BOLT
35		9999424876	5	LOCK WASHER
36		9999424854	6	WASHER,
39		9999424572	1	NUT
40		9999424686	5	CAPSCREW
41		9999424877	6	LOCK WASHER
42		9999424855	16	WASHER,
43		9999424693	4	BOLT
44		9999424510	6	SEMS-BOLT

+ SEE FURTHER BREAKDOWN THIS GROUP



SECTION A-A

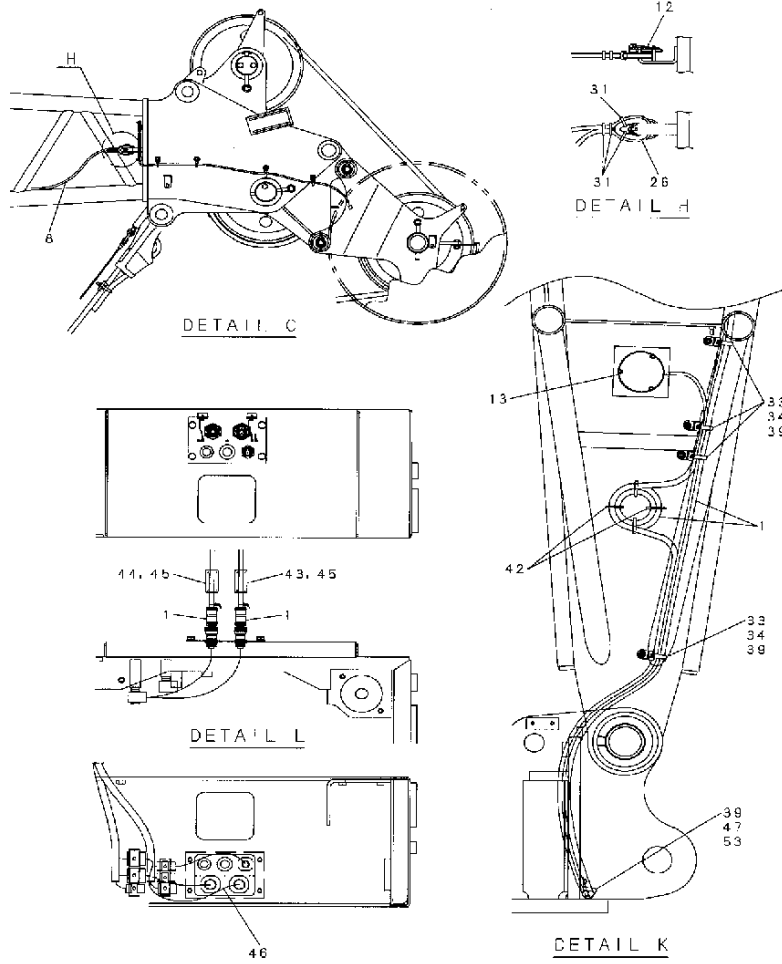


Manitowoc

Description
PEDAL ASSEMBLY

Assembly No.
9999408184
Revision:

Item	FN	Part	Qty	Description
1		9999408195	1	BRACKET
2		9999408189	1	LEVER ASSY
2-1		9999423676	1	LEVER
2-2		9999400290	1	BUSHING
3		9999408192	1	LINK
4		9999408191	1	PEDAL
5		9999400463	1	PAWL
6		9999400437	2	LINK
7		9999408187	2	LINK
8		9999400450	1	LINK
10		9999403376	1	BOLT, EYE
11		9999400023	1	SPRING
12		9999402888	1	PIN
13		9999402891	2	PIN
14		9999400087	1	PIN
15		9999403020	1	PIN
16		9999422611	1	BEARING
17		9999419867	2	PIN
18		9999424704	1	CAPSCREW
19		9999400049	2	SPACER
20		9999400051	3	SPACER
21		9999408186	1	BOLT
22		9999406174	2	SPACER
23		9999407395	2	SHIM,
24		9999407396	2	SHIM,
25		9999407397	2	SHIM,
26		9999419811	2	PIN, SPLIT
27		9999424601	3	PIN
28		9999424598	2	PIN, SPLIT
29		9999421375	2	CAPSCREW
30		9999424712	1	CAPSCREW
31		9999424510	2	SEMS-BOLT
32		9999421348	2	NUT
33		9999424568	6	NUT



Manitowoc

Description
SENSOR INSTAL

Assembly No.
9999425601
Revision:

Item	FN	Part	Qty	Description
2		9999424683	3	CAPSCREW
3		9999421346	3	NUT
4		9999424875	3	LOCK WASHER
5		9999424853	3	WASHER,
6		9999402684	3	WASHER,
8		9999425602	1	SENSOR. ANGLE

Manitowoc

Notes

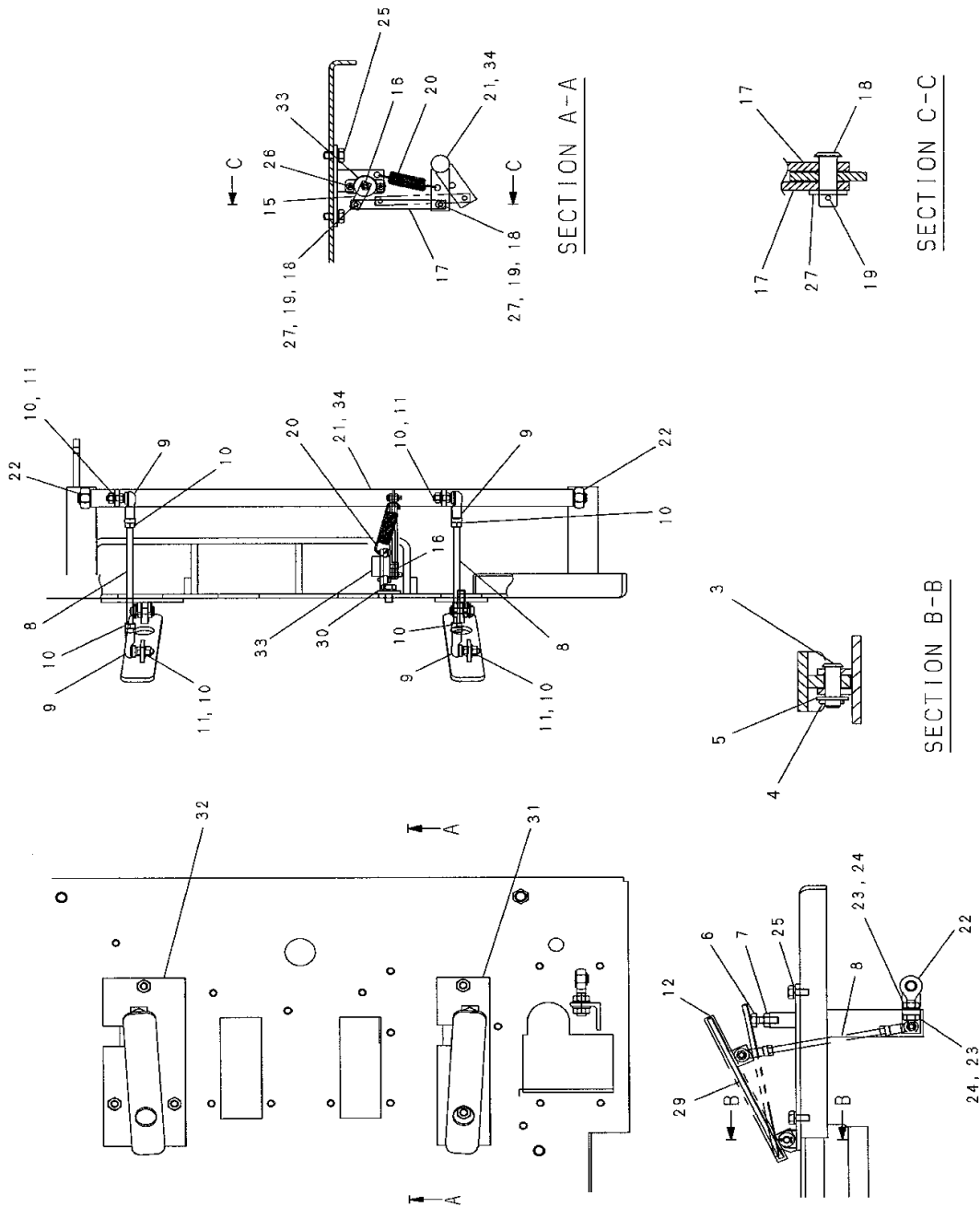
Manitowoc

Description
MONITOR INSTAL

Assembly No.
9999428338
Revision:

Item	FN	Part	Qty	Description
9		9999425272	1	CONTROL BOX ASSY
10		9999424522	2	SEMS-BOLT
11		9999426467	4	SEMS-BOLT
12		9999419693	1	NUT
13		9999424843	1	WASHER,
14		9999424874	1	LOCK WASHER
15		9999424533	8	SEMS-BOLT
16		9999424853	4	WASHER,
17		9999402773	1	WASHER,
18		9999406274	6	CLIP
21		9999427751	3	CLIP
24		9999424872	4	LOCK WASHER
25		9999426510	4	WASHER,
26		9999425276	1	SWITCH BOX ASSY
26-3		9999406274	1	CLIP
26-4		9999425277	1	CASE
26-5		9999425278	1	BRACKET
26-6		9999425279	1	SWITCH
26-7		9999425280	1	CAP
26-8		9999425281	1	CABLE
26-9		9999425282	1	CONNECTOR
26-10		9999425283	3	TERMINAL
26-11		9999425284	1	GROMMET
27		9999425293	1	CABLE
29		9999426468	4	SEMS-BOLT
30		9999422270	1	GROMMET
35		9999426470	4	NUT
36		9999425358	1	BRACKET
37	+	9999428339	1	TELEVISION MONITOR
37-1		9999428410	1	MONITOR
37-2		9999428407	1	CONTROL BOX
37-3		9999428408	1	CABLE
37-4		9999428409	1	CABLE
37-5		9999428411	1	CAPSCREW

+ SEE FURTHER BREAKDOWN THIS GROUP



Manitowoc

Description
ENGINE, HINO

Assembly No.
9999428180
Revision:

Item	FN	Part	Qty	Description
1		9999429210	1	ENGINE ASSY, HINO

Manitowoc

Description
RADIATOR INSTAL

Assembly No.
9999427866
Revision:

Item	FN	Part	Qty	Description
44		9999428295	1	INSULATION
45		9999428194	1	INSULATION
46		9999428195	1	COVER
47		9999426469	2	NUT
48		9999422194	2	WASHER,
49		9999424858	2	WASHER,

Manitowoc

Description

PUMP INSTALLATION - FUEL

Assembly No.

9999423274

Revision:

Item	FN	Part	Qty	Description
2		9999421435	1	PUMP ASSY, HYD
2-1		9999429996	1	PUMP, FUEL
2-2		9999424362	2	CLIP
2-3		9999429999	1	HOSE
2-4		9999429998	1	CONNECTOR
2-5		9999430003	1	STRAINER
4		9999406888	1	TUBE LINE
5		9999408805	1	HOSE ASSY, USE AS REQUIRED
6		9999424362	2	CLIP
7		9999419657	3	BOLT
9		9999406887	1	HOLDER
10		9999423276	1	BRACKET
12		9999424511	2	SEMS-BOLT
13		9999422198	3	WASHER,
16		9999430062	1	BRKT

Manitowoc

Description
REDUCT ASSY PROPEL

Assembly No.
9999429959
 Revision:

Item	FN	Part	Qty	Description
36		9999421832	3	SHAFT
37		9999424639	1	RING, RETAINING
38		9999403265	1	SHIM,
39		9999403266	1	SHIM,
40		9999403267	1	SHIM,
41		9999403268	1	SHIM,
42		9999407331	1	SHIM,
43		9999407332	1	SHIM,
44		9999407333	1	SHIM,
45		9999407334	1	SHIM,
46		9999420348	2	SETSCREW
47		9999424737	16	CAPSCREW
48		9999422349	3	BEARING, NEEDLE
49		9999407330	3	BEARING, NEEDLE
50		9999422355	3	WASHER, THRUST
51		9999423615	1	COVER
52		9999422937	1	RETAINER
53		9999430035	1	SUPPORT
801		9999423602	1	REPAIR KIT

Manitowoc

Description

ROLLER ASSY TRACK ROLLER

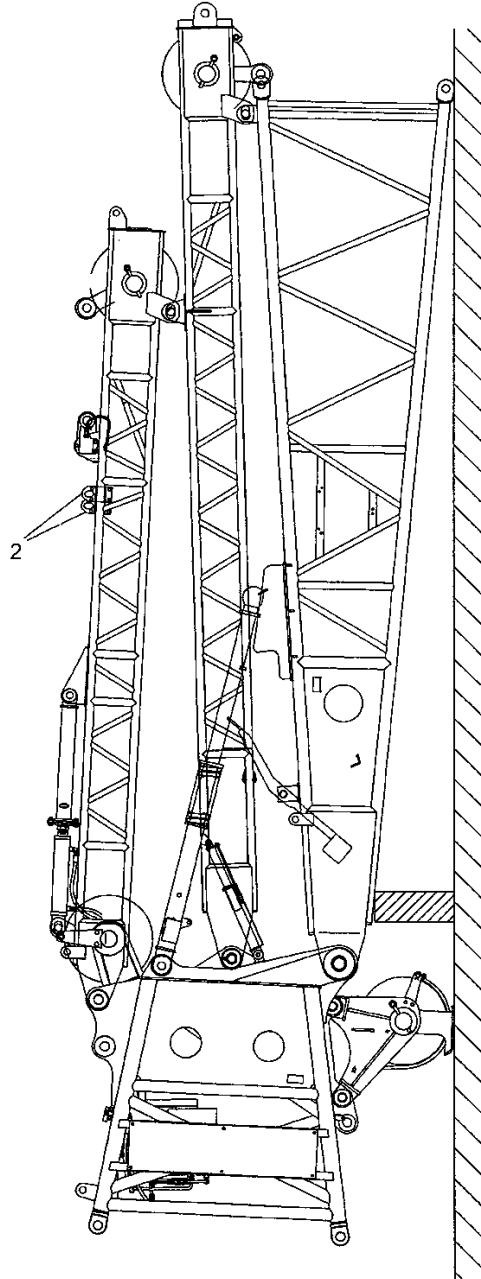
Assembly No.

9999430210

Revision:

Item	FN	Part	Qty	Description
2		9999400269	2	BUSHING
3		9999401915	1	COLLAR
4		9999401916	1	COLLAR
5		9999422193	4	RING
7		9999424439	2	SEAL, FLOATING
8		9999424410	2	O-RING
9		9999424453	2	PLUG
10		9999427455	1	PIN
11		9999430323	1	ROLLER

TRAVELING KIT



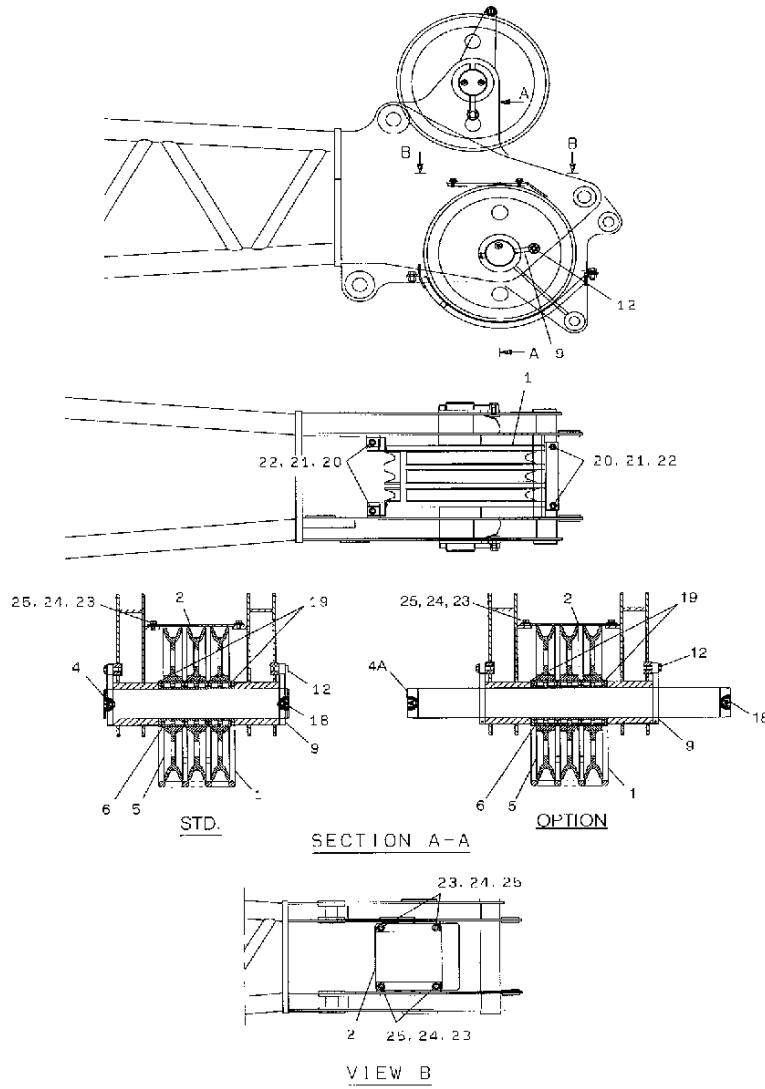
Manitowoc

Description
SPREADER GUIDE ASSY

Assembly No.
9999423763
Revision:

Item	FN	Part	Qty	Description
1		9999423760	1	LINK
2		9999423761	1	LINK
3		9999403040	2	PIN
6		9999402920	2	PIN, LOCK
7		9999419758	2	U-NUT
10		9999424606	2	PIN
11		9999423759	2	CAPSCREW

Manitowoc



Manitowoc

Description

SHEAVE ASSY, IDLER FOR 28 DIA ROPE

Assembly No.

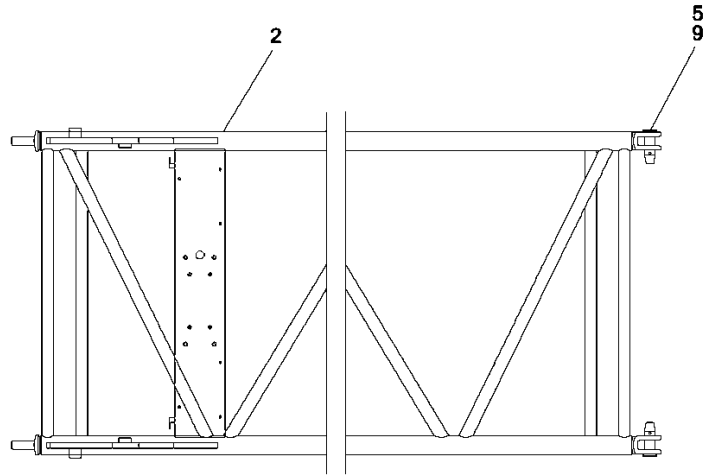
9999430206

Revision:

Item	FN	Part	Qty	Description
2		9999408304	1	PIN
3		9999421516	2	BEARING, ROLLER
4		9999402724	2	WASHER, THRUST
6		9999422192	1	SPACER
7		9999423746	1	PIN
8		9999421166	1	SPACER
9		9999421568	2	ROD
10		9999424718	2	CAPSCREW
14		9999419813	4	PIN, SPLIT
15		9999421342	3	NIPPLE, GREASE
16		9999424860	2	WASHER,
17		9999430339	2	SHEAVE

Manitowoc

BOOM ASSY, INSERT
20ft INSERT BOOM



Manitowoc

Description

BOOMGUY CABLE (20ft)

Assembly No.

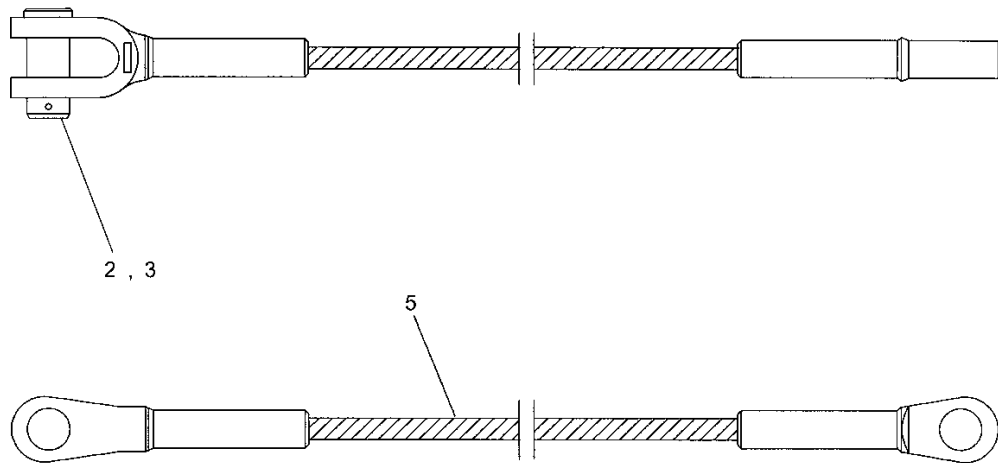
9999408648

Revision:

Item	FN	Part	Qty	Description
1		9999408647	1	GUY CABLE
4		9999421545	1	PIN
5		9999424609	1	COTTER PIN

Manitowoc

GUY CABLE ASSY
LUFFING JIB



Manitowoc

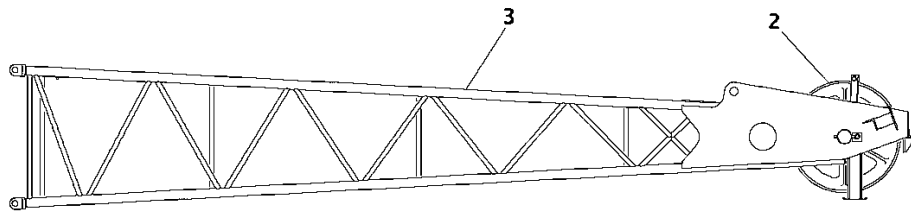
Description
SHEAVE ASSY, J.POINT

Assembly No.
9999421741
Revision:

Item	FN	Part	Qty	Description
1		9999400510	1	SHEAVE
2		9999402869	1	PIN
3		9999421520	1	BEARING
4		9999402726	2	WASHER, THRUST
5		9999400050	1	SPACER
6		9999400089	1	PIN
7		9999400159	2	ROD END
9		9999424587	2	PIN, SPLIT
12		9999424863	2	LOCK WASHER
13		9999401751	1	GUARD ASSY, SHEAVE
14		9999419760	4	U-NUT
16		9999424703	6	CAPSCREW

Manitowoc

JIB ASSY, UPP



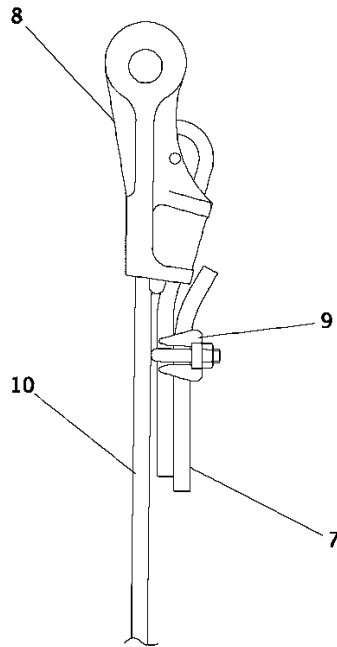
Manitowoc

Description
SHEAVE ASSY, AUX

Assembly No.
9999430204
Revision:

Item	FN	Part	Qty	Description
19		9999423850	1	ROLLER ASSY
19-1		9999401627	1	ROLLER
19-2		9999422354	2	BEARING
19-3		9999421376	4	CAPSCREW
19-4		9999421387	4	LOCK WASHER
21		9999430321	1	SHEAVE ASSY, AUX
21-1		9999423730	1	FRAME, SHEAVE, AUX
21-2		9999423731	2	GUARD, SHEAVE
21-3		9999421516	3	BEARING, ROLLER
21-5		9999423732	3	PIN
21-6		9999402724	6	WASHER, THRUST
21-8		9999423748	3	PIN
21-9		9999400157	6	ROD END
21-10		9999424998	1	SPACER
21-11		9999424718	10	CAPSCREW
21-12		9999424575	4	U-NUT
21-13		9999424860	6	WASHER,
21-14		9999421388	6	LOCK WASHER
21-16		9999419813	6	PIN, SPLIT
21-17		9999421342	3	NIPPLE, GREASE
21-20		9999430339	3	SHEAVE

WIRE ROPE ASSY
REAR(LUFFING)



Manitowoc

Description

WIRE ROPE ASSY BOOM HOIST

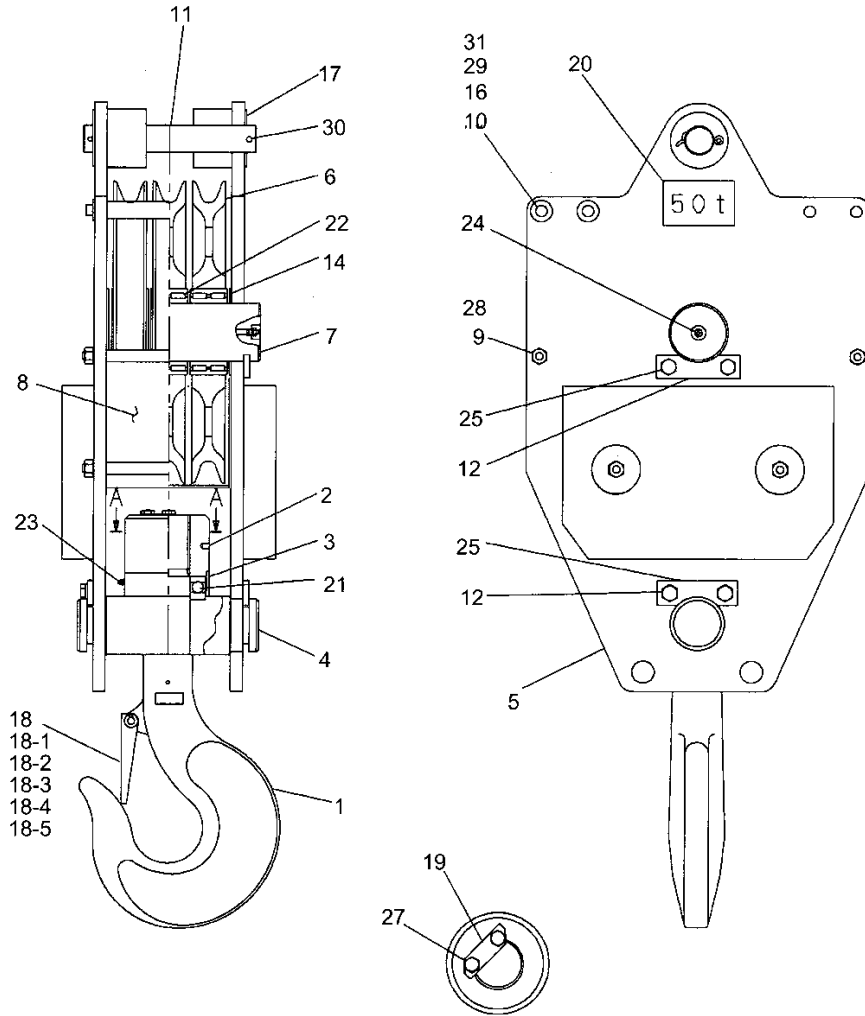
Assembly No.

9999430212

Revision:

Item	FN	Part	Qty	Description
11		9999425660	1	WIRE ROPE
14		9999425252	1	CLAMP
15		9999423797	1	SOCKET, ROPE
16		9999422633	1	WEDGE, ROPE
17		9999423715	1	BOLT
18		9999424573	1	NUT
19		9999420407	1	WASHER,
20		9999423716	1	WASHER,
21		9999419815	1	PIN
26		9999430353	1	WIRE ROPE

HOOK BLOCK 50t



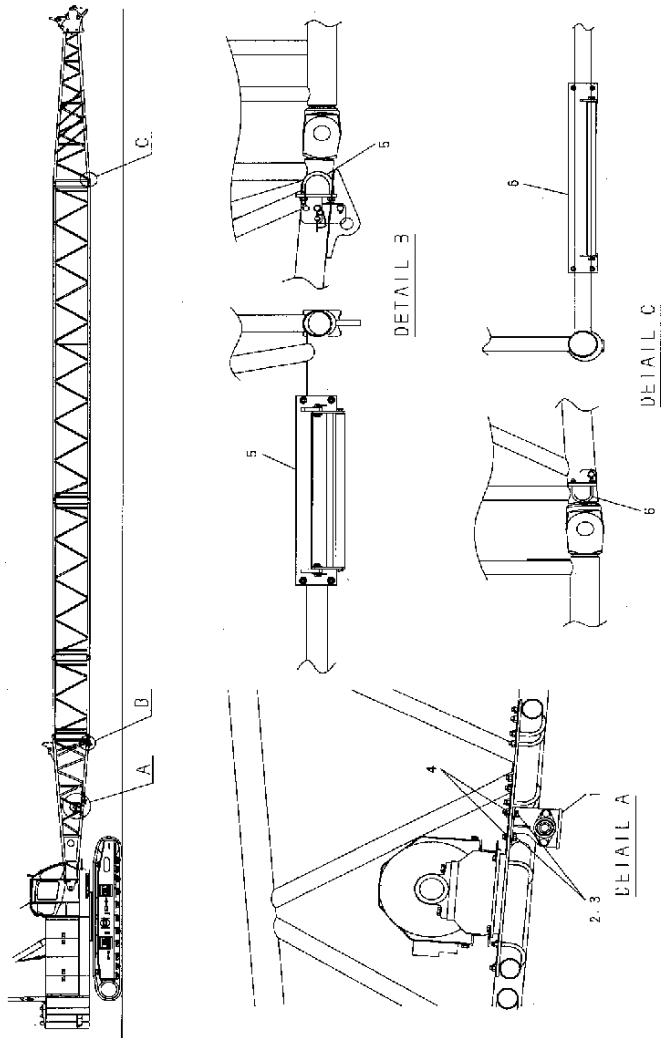
SECTION A-A

Manitowoc

Description
SUB GANTRY ASSY

Assembly No.
9999428386
 Revision:

Item	FN	Part	Qty	Description
2		9999423841	1	MEMBER, TENS, GANTRY
3		9999423842	1	MEMBER, TENS, GANTRY
4		9999423843	1	MEMBER, TENS, GANTRY
8		9999408842	4	BEARING
9		9999408281	1	PIN
11		9999422225	2	PIN
12		9999408228	4	PIN
13		9999408233	2	PIN
14		9999408234	2	PIN
15		9999402434	1	SPACER
16		9999422058	1	SPACER
17		9999408241	2	PIN
19		9999408239	2	PIN
20		9999407471	2	PLATE
21		9999419820	8	PIN, SPLIT
22		9999419823	14	PIN, SPLIT
23		9999427717	2	PIN, SPRING
24		9999402692	2	PLATE
25		9999408244	4	WASHER,
26		9999424717	4	CAPSCREW
27		9999424692	4	CAPSCREW
28		9999424528	8	SEMS-BOLT
29		9999424877	4	LOCK WASHER
30		9999421388	4	LOCK WASHER
32		9999419664	2	SEMS-BOLT
34		9999423840	1	PLATE
36		9999408231	1	GUARD
37		9999408237	1	GUARD
39		9999402435	2	SPACER
40		9999423837	2	LINK
41		9999423838	1	LINK
42		9999408240	2	PIN
43		9999408242	2	PIN
44		9999427718	2	PIN, SPRING



Manitowoc

Description

IDLER SHEAVE ASSY

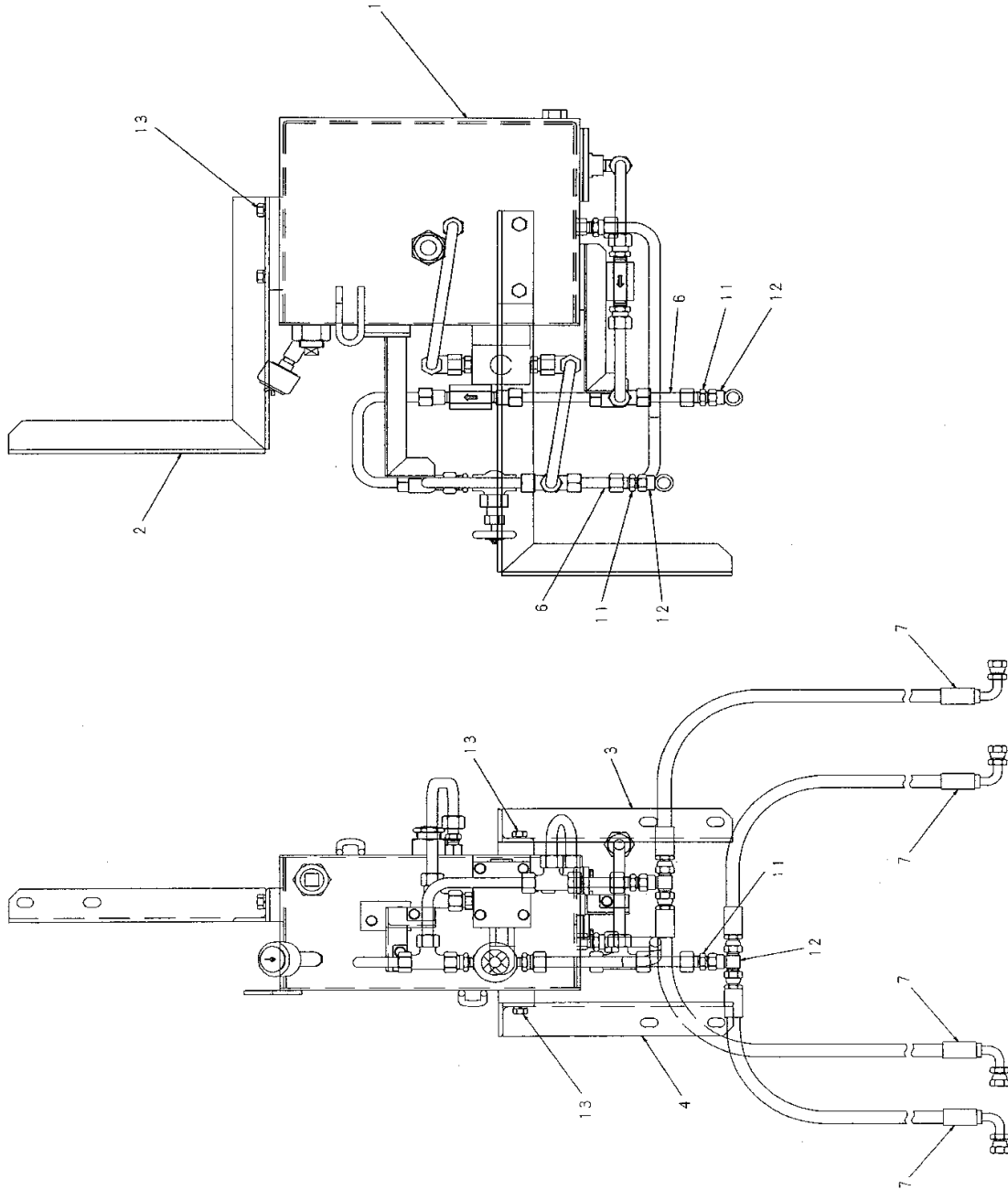
Assembly No.

9999425634

Revision:

Item	FN	Part	Qty	Description
1		9999426200	2	SHEAVE ASSY
1-1		9999426198	1	SHEAVE
1-2		9999426199	1	BEARING, ROLLER
1-3		9999425245	1	NIPPLE, GREASE
2		9999425641	1	PIN
3		9999426179	2	BRACKET
4		9999426180	1	GUARD
5		9999426475	2	PIN, SPLIT
6		9999424716	4	CAPSCREW
7		9999421388	4	LOCK WASHER

Manitowoc



Manitowoc

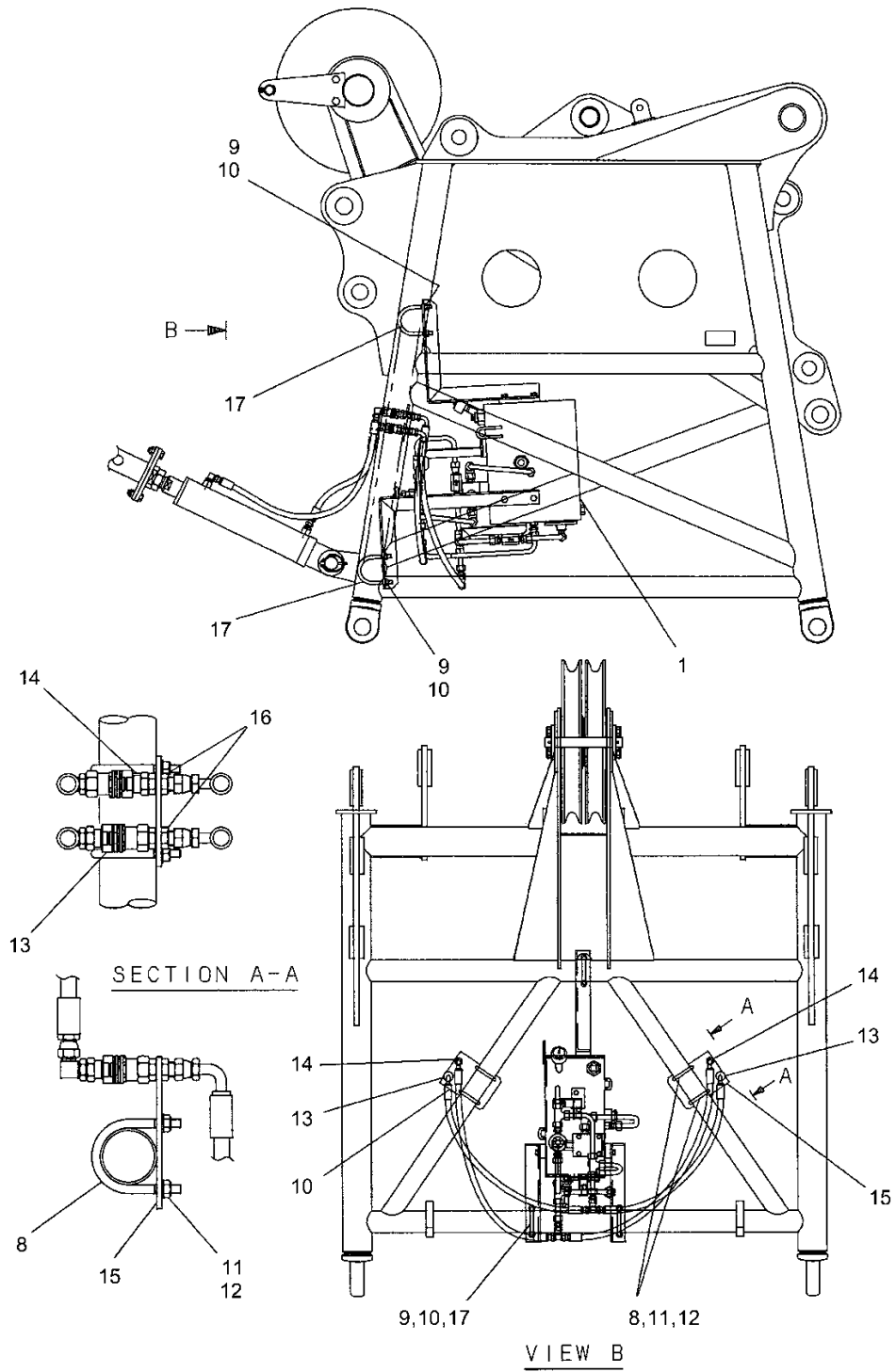
Description
BOOM ASSY, LUFFING

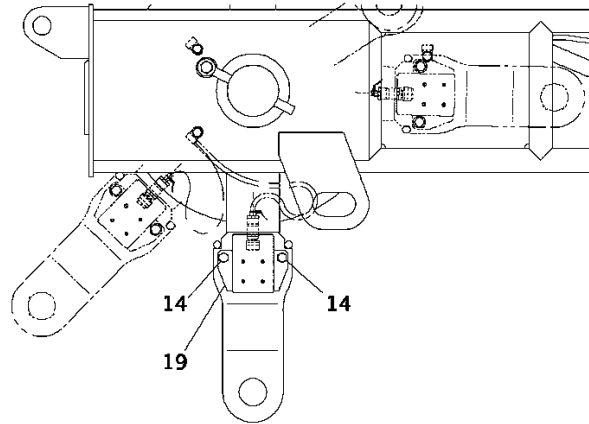
Assembly No.
9999430627
 Revision:

Item	FN	Part	Qty	Description
1	+	9999429320	1	UPPER BOOM ASSEMBLY
2	+	9999429318	1	FRONT STRUT ASSEMBLY
4	+	9999429329	1	JIB BACKSTOP ASSEMBLY
6	+	9999425481	1	JIB BACKSTOP ASSY
7		9999426169	1	AUX.SHEAVE ASSY
8		9999425444	1	SLING ASSY
8-1		9999429575	2	ROPE
8-2		9999429578	4	SHACKLE
9	+	9999430199	1	STRUT ASSY, JIB
11	+	9999430622	1	JIB ASSY, LOW

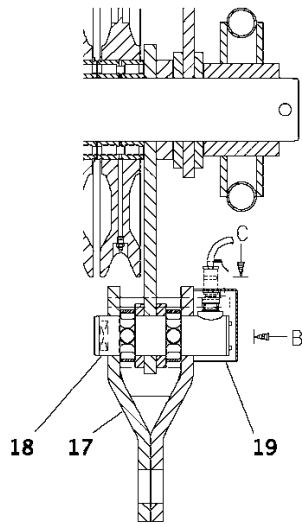
+ SEE FURTHER BREAKDOWN THIS GROUP

TANK INSTAL. HYD STRUT BACK STOP

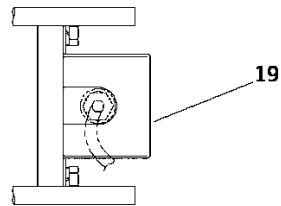




VIEW B

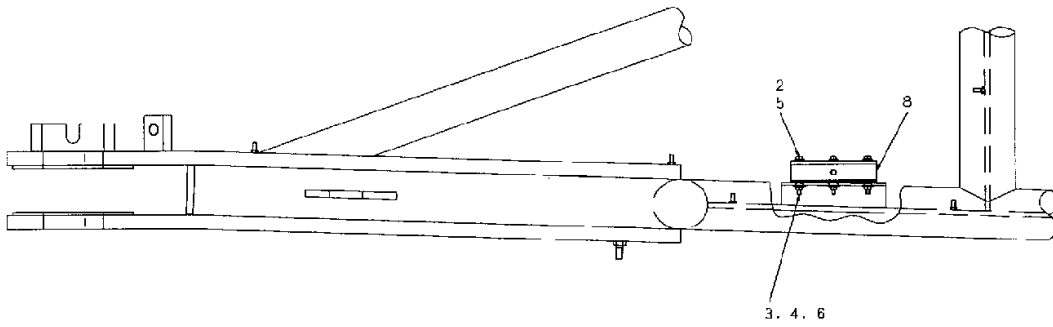
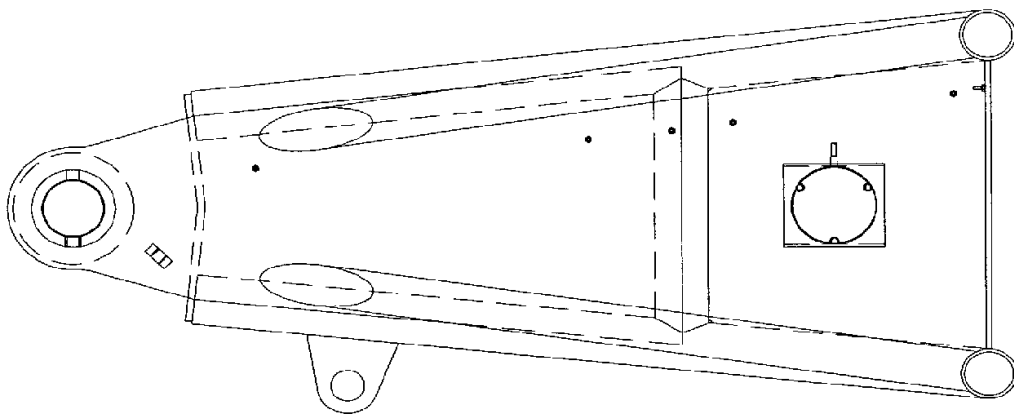


SECTION A-A



VIEW C

ANGLE SENSOR INSTAL



Manitowoc

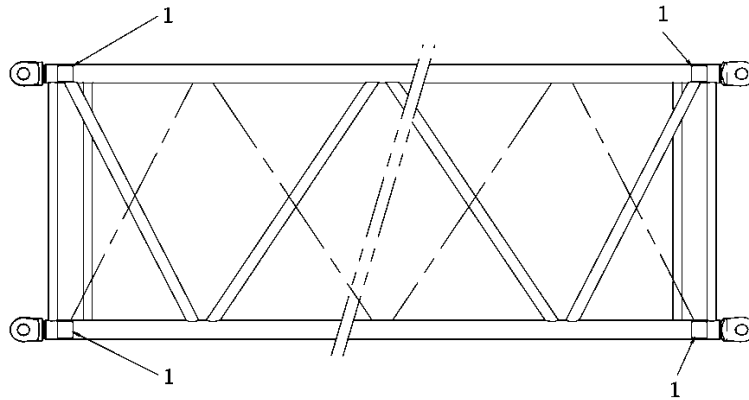
Description
SWITCH ASSY LIMIT

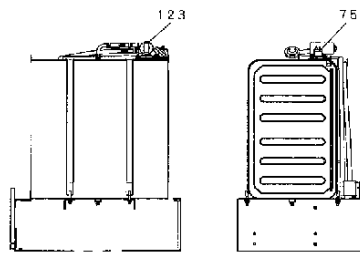
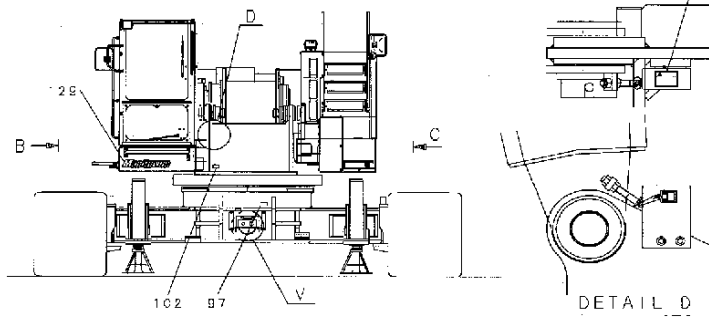
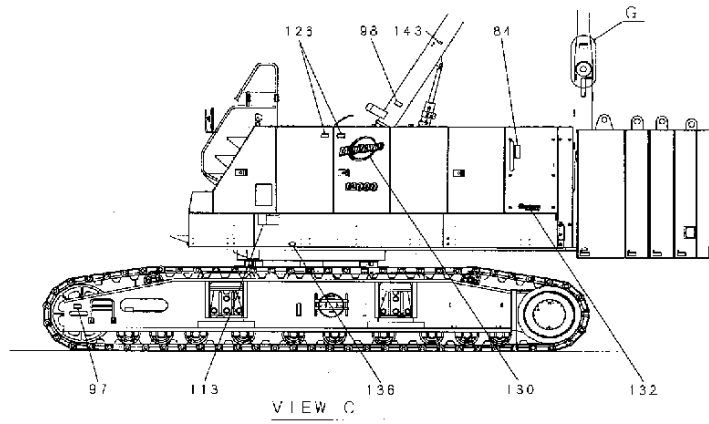
Assembly No.
9999429957
 Revision:

Item	FN	Part	Qty	Description
2		9999430086	1	CASE
4		9999402669	1	SPACER
5		9999402249	1	SPRING
6		9999403557	1	NUT
7		9999424320	1	CAPSCREW
8		9999402526	1	SPACER
9		9999424853	1	WASHER,
10		9999401775	1	COVER
11		9999424384	1	CLAMP
12		9999424679	3	CAPSCREW
13		9999424788	2	MACHINE SCREW
14		9999424561	1	NUT
15		9999402682	1	WASHER,
16		9999424873	2	LOCK WASHER
17		9999424875	2	LOCK WASHER
22		9999406272	1	CLIP
24		9999430087	1	CAP
25		9999430090	1	SWITCH, LIMIT
26		9999402525	1	WASHER

Manitowoc

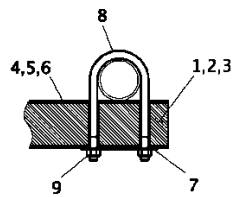
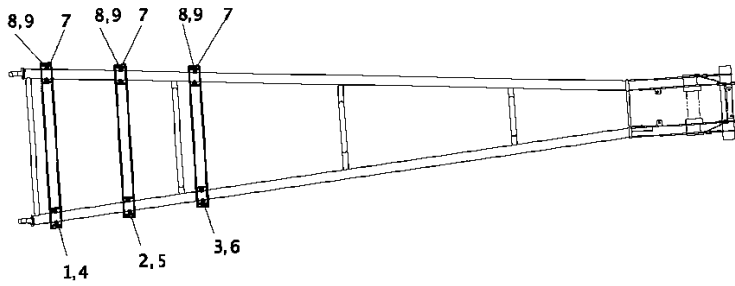
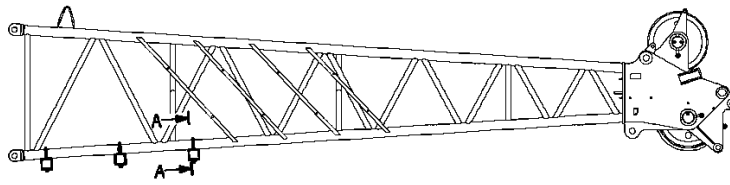
LABEL ASSY
FOR BOOM WITH TOP&BOTTOM SURFACE INDISTINGUISHABLE





Manitowoc

BOOM ASSY, UPP
OPTION, BOOM BOTTOM PROTECTOR



Manitowoc

Description

**HOOK BLOCK ASSEMBLY - 100 TON 4 SHEAVE
(COMPLETE ASSEMBLY)**

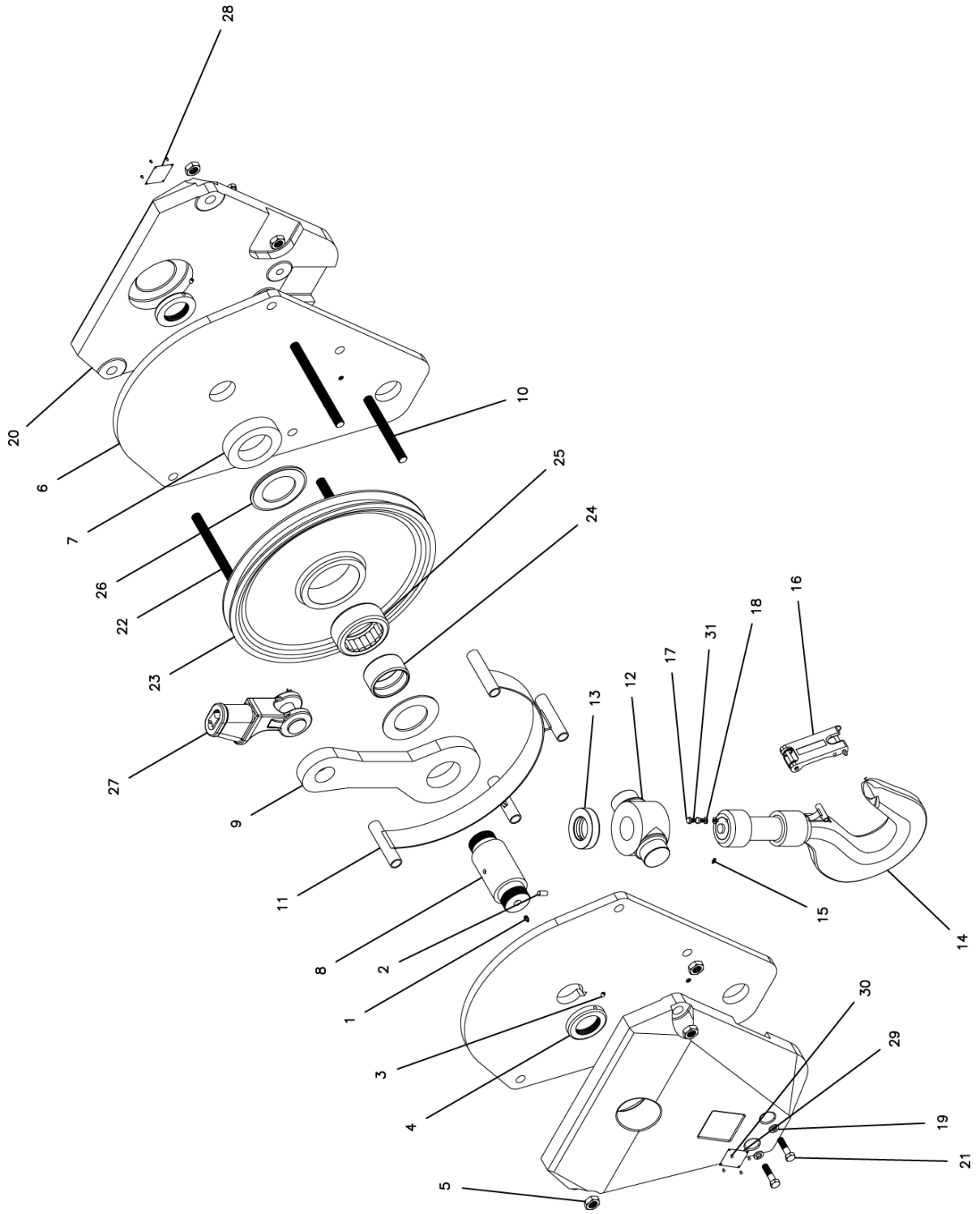
Assembly No.

A10632

Revision:

Item	FN	Part	Qty	Description
1		9086100059	4	GUIDE, REEVING
2		9086101405	3	PLATE
3		9086100422	2	PLATE, SIDE
4		9086101401	1	HOUSING, TRUNNION
5		9086100076	8	WASHER, THRUST
6		9086101295	4	WHEEL, SHEAVE
7		9086100077	4	BEARING, ROLLER
8		9086100071	2	NUT
9		9086101402	1	PIN, CENTER
10		9086100269	1	PIN, ROLL
11		942189	5	FITTING
12		90011318	8	SCREW, SET
13		9086100061	4	NUT
14		9086101403	2	BOLT, TIE
15		9086100009	1	END, DEAD
16		9086100068	4	NUT 2.5"
17		9086100074	2	NUT
18		9086101404	2	PIN
19		9086100070	1	BEARING, THRUST
20		9086101215	1	HOOK & NUT ASSY.
21		7440030000	1	FITTING, STRAIGHT GREASE 1/4" N.P.T.
22		9086100713	1	LATCH, KIT INCLUDES THE FOLLOWING PARTS
		9086100557	2	RING, RETAINER E-CLIP
		9086100555	1	SPRING
		9086100556	1	PIN, GROOVED
		9086100558	1	PIN, QUICK RELEASE
23		9086100993	2	WASHER,
24		9086100994	2	SCREW,
25		9086100933	2	WIRE, SAFETY
26		9086101217	1	PLATE, NAME / RATING
27		9086100137	1	PLATE, CAUTION
28		9086100327	8	DRIVE SCREW
29		9086100461	2	WEIGHT, CHEEK

Manitowoc



Manitowoc

Alphabetical Index	Appendix A	
Description	Part	Page
CAPSCREW	9999421376	79, 279, 557, 569, 589, 609, 645, 1113, 1117
	9999421382	897
	9999421384	31, 271, 904
	9999421385	39
	9999421554	1191
	9999422286	941
	9999422291	995, 1005
	9999423315	119, 223, 241
	9999423467	27
	9999423759	997, 1007
	9999424042	303
	9999424082	487
	9999424316	303
	9999424319	303
	9999424320	853, 857, 1297
	9999424648	103
	9999424651	951, 955
	9999424652	465
	9999424654	911
	9999424657	903
	9999424658	465
	9999424661	553, 555, 565, 567, 579, 587, 599, 607, 633, 635, 641, 643
	9999424662	553, 555, 565, 567, 577, 585, 597, 605, 633, 641
	9999424664	903
	9999424665	903
	9999424666	465
	9999424668	973
	9999424670	903
	9999424679	853, 857, 1297
	9999424683	31, 839, 843, 847, 1281, 1283
	9999424686	731, 787
	9999424687	91, 679, 687, 811, 904
	9999424689	851, 1295
	9999424690	347, 503
	9999424691	19, 338, 749
	9999424692	95, 327, 523, 727, 788, 1177
	9999424694	265, 891, 893, 909
	9999424696	7, 11, 919
	9999424699	81, 87, 788
	9999424700	7, 39, 71, 75
9999424701	95	
9999424702	1013, 1025	
9999424703	1087, 1105, 1213, 1269	
9999424704	709, 817, 915, 1187, 1193	
9999424705	39, 271	

From - CAPSCREW

To - CAPSCREW

Manitowoc

Alphabetical Index	Appendix A	
Description	Part	Page
FITTING,GREASE FLANGE	9053100119	1349, 1365
	9999419432	528
	9999422934	533
	9999424444	31, 39, 271, 519
	9999430248	1225, 1257
	9999430591	449
	9999430642	7
	9999430643	7
FLASHER ASSY	9999427327	759, 763, 767
FORM SEAT	9999425249	363
FRAME	9999400543	1191
	9999426435	363
	9999429621	1039
	9999429625	1205, 1241
FRAME, SHEAVE, AUX	9999421275	1107, 1109, 1111, 1235, 1265, 1277
	9999423730	1113, 1115, 1117
FRAME, UPP	9999430337	305
FRONT GUARD ASSY	9999427896	129
FRONT STRUT ASSEMBLY	9999429318	1201, 1237
FUSE ASSY	9999428170	749
GANTRYLUB.LINES	9999423801	1171
GASKET	9999422698	341
	9999422699	341
	9999422700	341
	9999427966	915
	9999430001	919
	9999430136	919
	9999430366	1226, 1258
	9999430662	47
	9999430663	47
GAUGE	9999408665	527
GAUGE, LEVEL	9999406343	417, 419
GAUGE, LEVEL, OIL	9999407418	454
	9999408664	527
	9999423684	553, 555, 565, 567, 579, 587, 599, 607, 635, 643, 911
GEAR	9999408085	465
	9999424199	911
	9999424200	911
	9999424201	911
	9999424202	913
	9999430668	47

From - FITTING,GREASE

To - GEAR

Manitowoc

Alphabetical Index	Appendix A		
Description	Part	Page	
LABEL	9999430097	885	
	9999430266	665	
	9999430267	665	
	9999430303	1323	
	9999430335	383	
	9999430336	383	
	9999430704	807	
	9999430708	688	
LABEL ASSY	9999433538	1301	
LADDER	9999408585	433	
LADDER ASSY	9999408586	433	
LAMP	9999407560	167	
	9999421474	723	
	9999421495	141	
	9999423804	815	
	9999430109	723, 815	
	LAMP ASSY	9999406344	383
	9999422735	859	
	9999422736	859	
LAMP ASSY, SIGNAL	9999421473	723	
LATCH	9999423261	347, 353	
	9999426437	363	
LATCH, KIT	9086100713	1353, 1357, 1369	
LENS	9999430152	169, 175, 199, 201	
LEVELGAUGE INSTAL	9999407516	417	
LEVER	9999407230	679, 687	
	9999407238	811	
	9999407391	891, 893	
	9999422842	342	
	9999422903	675	
	9999423574	695	
	9999423575	695	
	9999423576	695	
	9999423580	699	
	9999423581	699	
	9999423676	709, 817	
	9999424191	679, 687	
	9999424221	699	
	LEVER ASSY	9999408189	709, 817
	LEVER ASSY, CONTROL	9999423573	673
	LEVER ASSY, THROTTLE	9999430033	679, 687
LH GUARD ASSY	9999429407	199, 207	

From - LABEL

To - LH GUARD ASSY

Manitowoc

Alphabetical Index	Appendix A	
Description	Part	Page
PLATE	9999408216	313
	9999408245	1171
	9999422117	803
	9999422121	951, 955
	9999422188	465
	9999422197	943
	9999422814	169
	9999422921	185
	9999422970	731
	9999423002	553, 555, 565, 567, 579, 587, 599, 607, 635, 643
	9999423030	454
	9999423036	453
	9999423037	454
	9999423042	553, 555, 577, 585
	9999423043	565, 567, 597, 605
	9999423044	633, 641
	9999423552	553, 555, 565, 567, 911
	9999423720	1171
	9999423840	1177
	9999423880	115
	9999425378	169
	9999425405	697
	9999425488	1219, 1251
	9999425577	1221, 1253
	9999425669	333
	9999425670	333
	9999426105	1203, 1239
	9999426173	1235, 1265, 1277
	9999427955	775
	9999427969	141
	9999427970	141
	9999428008	199
	9999428124	1159
	9999428135	1163, 1167
	9999428140	1165
	9999428151	1165
	9999428152	1165
	9999428165	1165
	9999428203	915
	9999428302	1159
	9999428457	1163
	9999428550	535
	9999429507	338
	9999430032	168
	9999430104	1159, 1163
	9999430297	558, 570, 590, 610, 646
	9999430331	1343

From - PLATE

To - PLATE

Manitowoc

Alphabetical Index	Appendix A	
Description	Part	Page
SPRING	9999400023	710, 817
	9999402249	853, 857, 1297
	9999407394	891, 893
	9999407786	249, 253
	9999422895	23
	9999423578	699
	9999424078	725, 727, 821
	9999426117	1231, 1261
	9999427331	185
	9999428166	1165
	9999428304	535
	9999428416	527
	9999428420	249, 253
	9999428503	1155, 1157
	SPRING KIT	9999425247
SPRING, LATCH	90011777	1351
SPROCKET	9999400261	959
	9999400262	959
STAY	9999421794	342
	9999421796	341
	9999425288	195, 223, 241
	9999425374	365
	9999425600	391
	9999428188	921
	9999428189	921
	9999428285	129, 131
	9999429648	393
STEM	9999423679	943
STEP	9999404188	971
	9999408113	971
	9999423562	121, 407
	9999424209	119
	9999425589	407
	9999427587	407
	STEP ASSY	9999429558
STEP ASSY RH DECK	9999429970	411
STOPPER	9999407159	433
	9999423210	683
	9999425313	173
	9999425314	173
	9999425315	173
	9999425316	173
	9999427339	170
	9999428163	1159, 1163

From - SPRING

To - STOPPER

Manitowoc

Numerical Index		Appendix B
Part	Description	Page
9053100119	FITTING,GREASE	1349, 1365
9053100120	LINK,CENTER	1351
9053100122	LINK, SWIVEL ASSY.	1349
9053100124	PIN, CENTER	1351
9069220028	BEARING	1373
9086100009	END, DEAD	1347, 1353, 1357, 1361, 1369
9086100059	GUIDE, REEVING	1353, 1357, 1369
9086100061	NUT	1347, 1353, 1357, 1361, 1369, 1373
9086100062	BEARING, ROLLER	1353, 1361
9086100063	WASHER, THRUST	1353, 1361
9086100068	NUT	1353, 1357, 1369
9086100070	BEARING, THRUST	1357, 1369
9086100071	NUT	1347, 1357, 1369
9086100074	NUT	1353, 1357, 1361, 1369
9086100076	WASHER, THRUST	1347, 1357, 1369
9086100077	BEARING, ROLLER	1347, 1357, 1369
9086100088	BEARING	1347, 1361, 1373
9086100137	PLATE, CAUTION	1347, 1353, 1357, 1369
9086100144	NUT	1351
9086100151	FITTING	1347, 1353, 1361
9086100161	CAP SCREW,	1347, 1361
9086100162	WASHER, LOCK	1347, 1354, 1358, 1361, 1370, 1373
9086100163	GUIDE	1347
9086100164	PIN, SPIRAL	1347
9086100166	PLATE, CENTER	1347
9086100167	PLATE, SIDE	1347
9086100168	PIN	1347
9086100173	WASHER,	1373
9086100249	SET SCREW	1361
9086100250	NUT	1361
9086100258	BEARING, THRUST	1353
9086100269	PIN, ROLL	1347, 1353, 1357, 1361, 1369, 1373
9086100292	SOCKET	1349, 1358, 1370
9086100293	WEDGE	1358, 1370
9086100294	PIN, COTTER	1349, 1358, 1362, 1365, 1370
9086100300	NUT	1349, 1365

From - 9053100119

To - 9086100300

CLICK HERE TO **DOWNLOAD** THE COMPLETE MANUAL

- Thank you very much for reading the preview of the manual.
- You can download the complete manual from: www.heydownloads.com by clicking the link below



- Please note: If there is no response to CLICKING the link, please download this PDF first and then click on it.

CLICK HERE TO **DOWNLOAD** THE COMPLETE MANUAL