



MANITOU NORTH AMERICA, INC.

6401 IMPERIAL DRIVE
Waco, TX 76712-6803

***NOTE:** Manitou Forklift Manuals are continually updated and subject to change without prior notice. If your Forklift Model or parts are not found in this manual, please contact your dealer or the Manitou North America Parts Department for the latest information and parts availability.*

MVT 1230 L
COMFORT LINE
PARTS MANUAL

For Parts Orders contact your Manitou North America Dealer or call:
Manitou North America, Parts Dept. 800-425-3727 or (254) 799-0232
Parts Dept. Fax: (254) 867-6504 Website: www.manitou-na.com

CLICK HERE TO **DOWNLOAD** THE COMPLETE MANUAL

- Thank you very much for reading the preview of the manual.
- You can download the complete manual from: www.heydownloads.com by clicking the link below

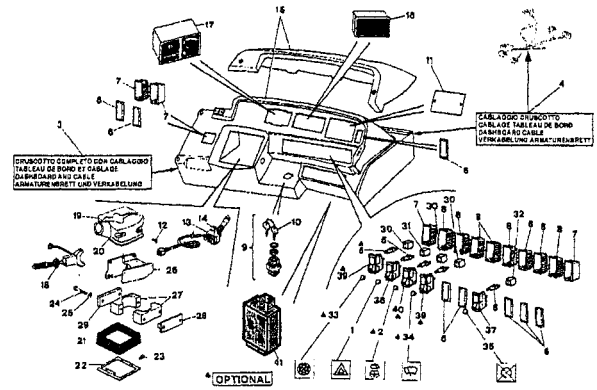


- Please note: If there is no response to CLICKING the link, please download this PDF first and then click on it.

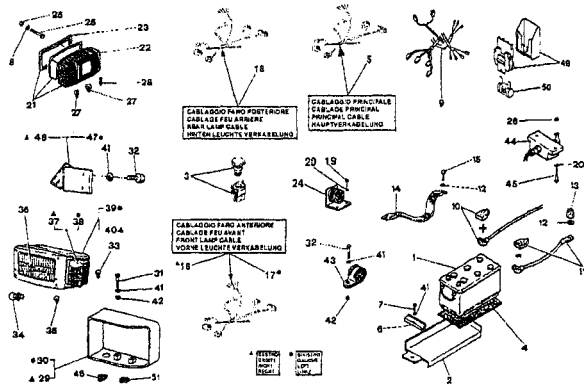
CLICK HERE TO **DOWNLOAD** THE COMPLETE MANUAL

INDEX

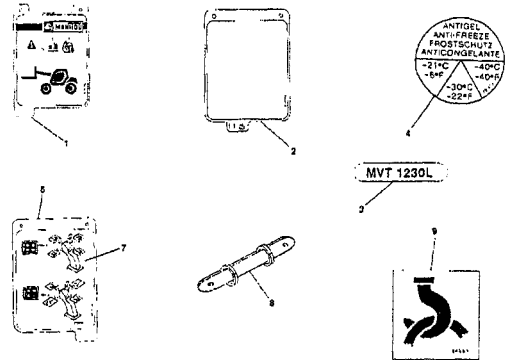
36



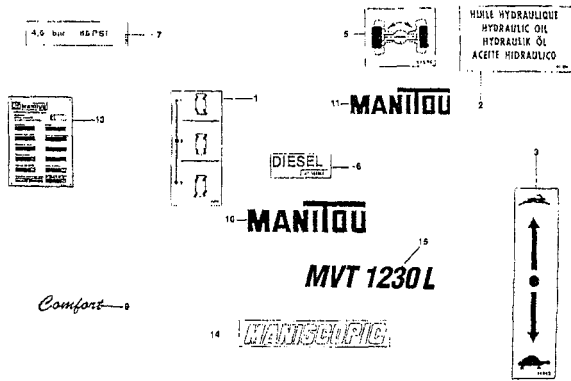
37



38



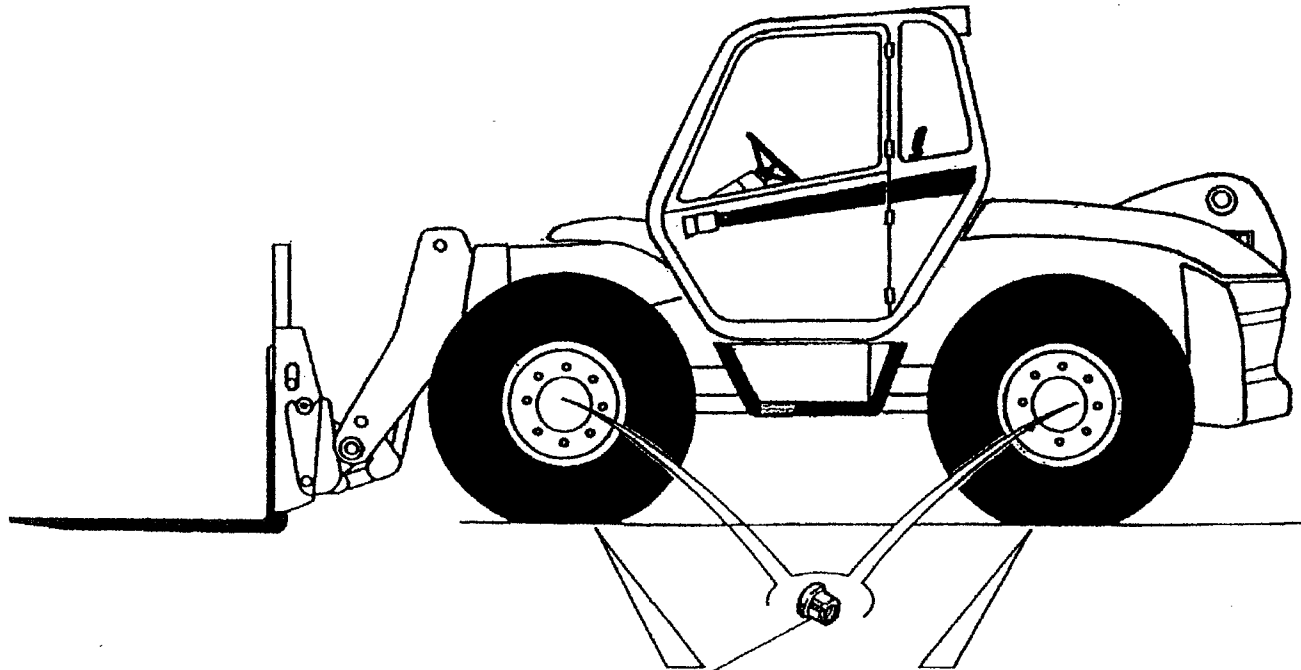
39



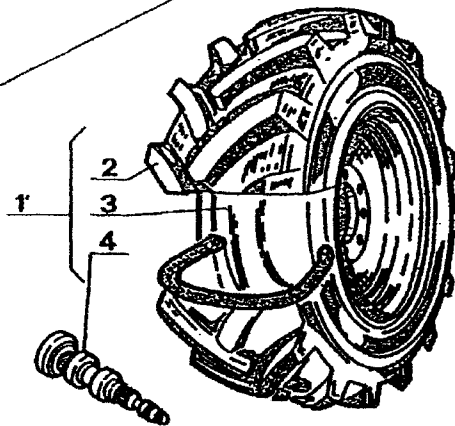
1

RUOTE
ROUES
WHEELS
RAD

MVT 1230L

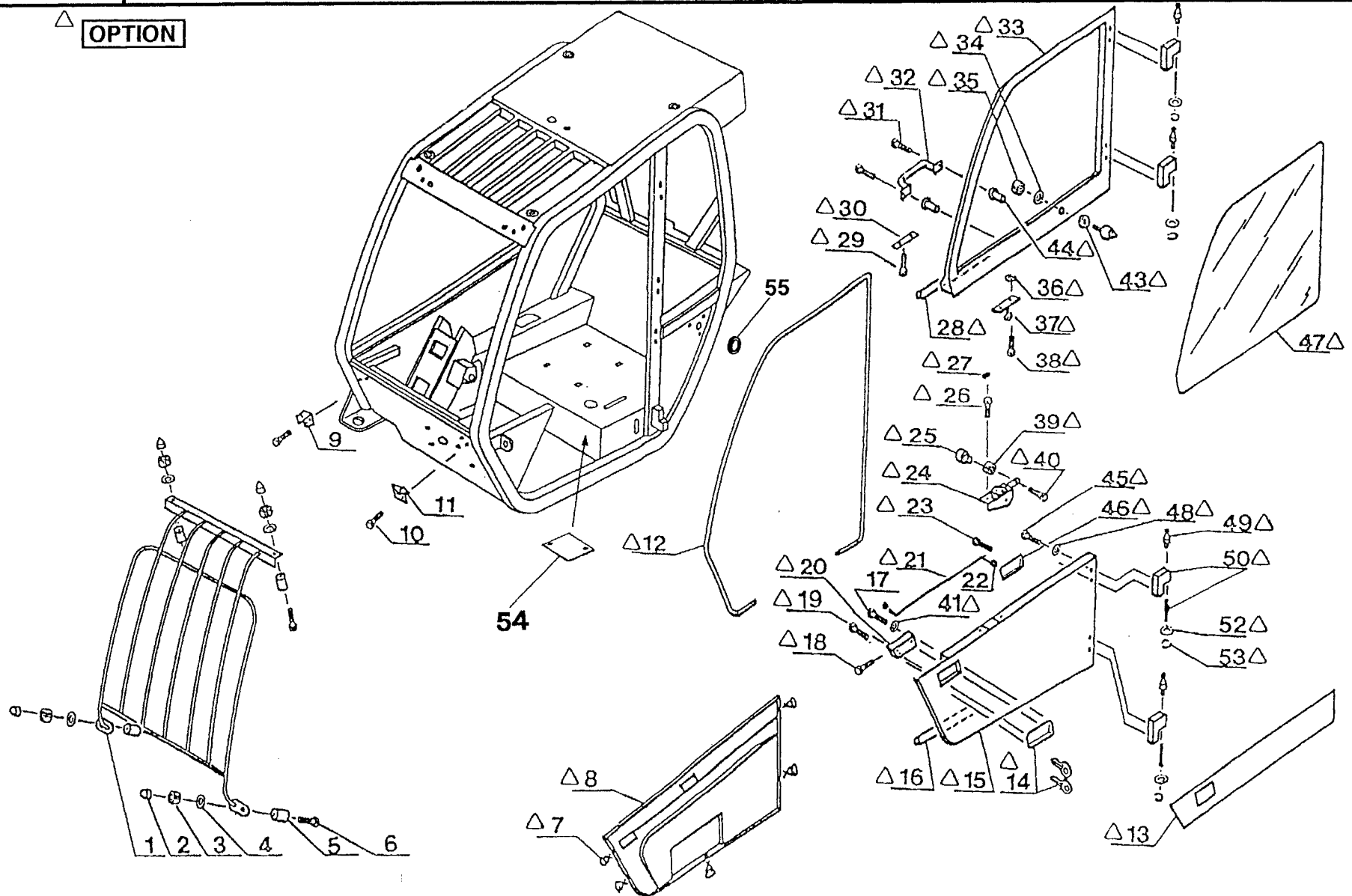


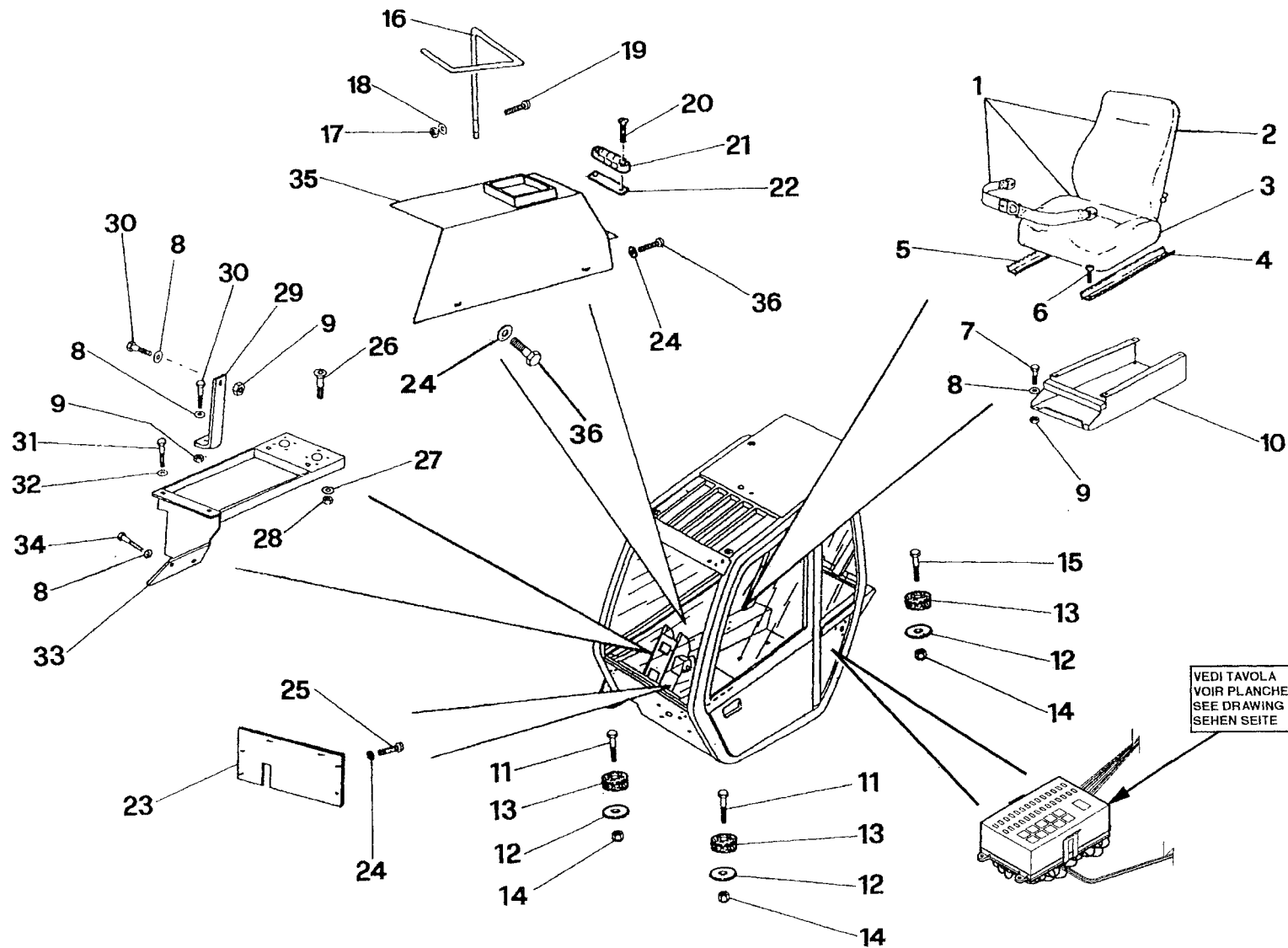
VEDI TAVOLA
VOIR PLANCHE → 43-44
SEE DRAWING
SEHEN SEITE



		BRACCIO TELESCOPICO BRAS TELESCOPIQUE TELESCOPIC BOOM TELESKOPAUSLEGER					Quantità Quantity		Quantité Menge		4	
3/3												
Rep Item	Part. Number	DESCRIZIONE	DESIGNATION	DESCRIPTION	BEZEICHNUNG	MVT 1230L						
47	470719	ingrassatore	graisseur	grease nipple	fettbuechse	1						
48	487817	registro	regulateur	adjuster ass'y	einstellschraube (1 mm)	2						
48	487892	registro	regulateur	adjuster ass'y	einstellschraube (3 mm)	2						
49	500086	pattino	patin	slide block	bodenplatte	4						
50	500092	registro	regulateur	adjuster ass'y	einstellschraube (3 mm)	2						
51	578909	supporto	support	support	lager	4						
52	488056	vite	vis	screw	schraube	4						
53	479725	boccola	douille	bush	buchse	4						
54	578910	spessore	epaisseur	thickness	staerke (1 mm)	4						
12	579476	spessore	epaisseur	thickness	staerke (2 mm)	2						

△ OPTION





VEDI TAVOLA
 VOIR PLANCHE
 SEE DRAWING
 SEHEN SEITE → 6-5

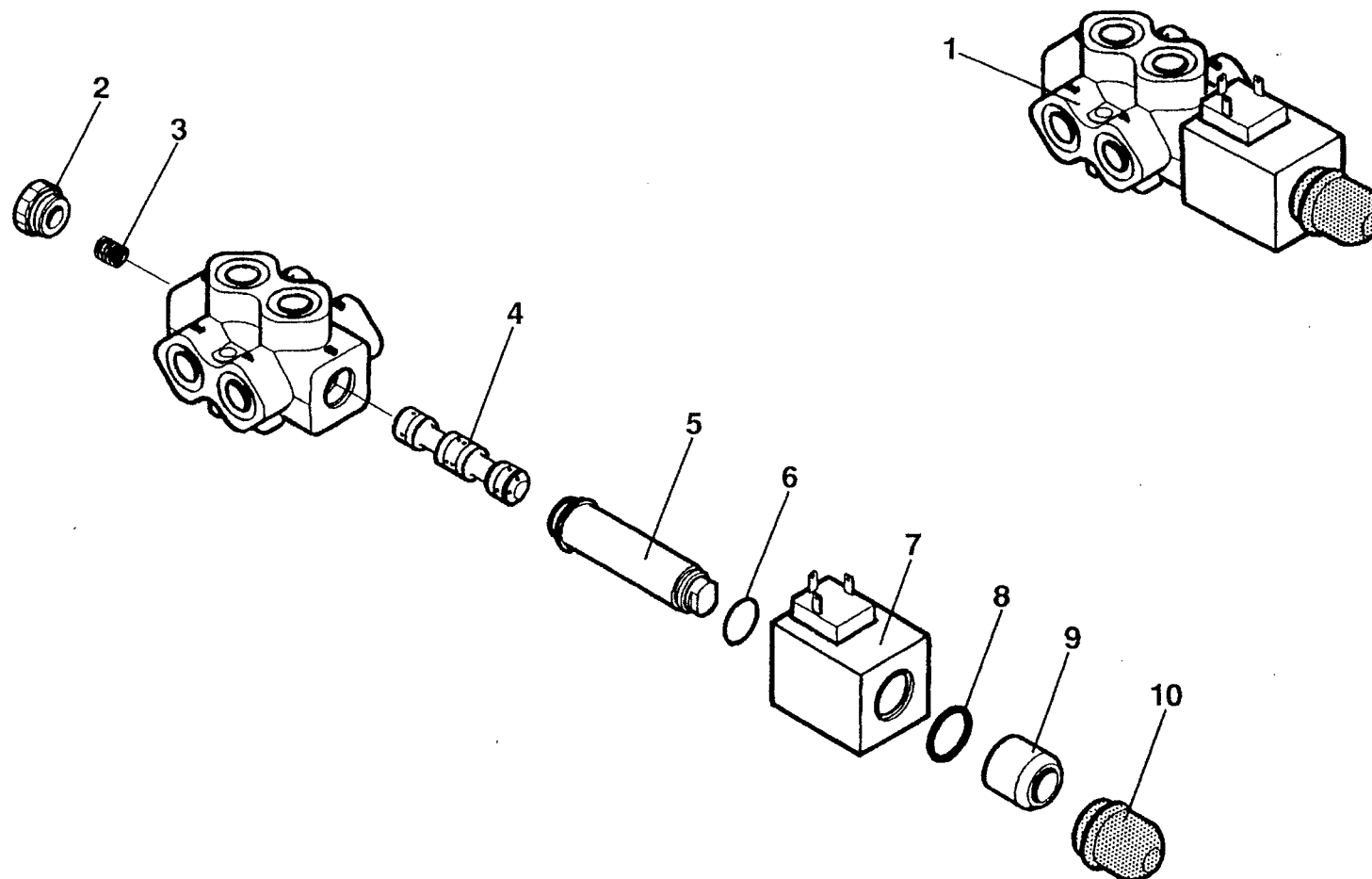
MONTAGGIO MOTORE E TRASMISSIONE IDROSTATICA CIRCUIT TRANSMISSION HYDROSTATIQUE HYDROSTATIC TRANSMISSION CIRCUIT HYDROSTATIK GETRIEBEKREIS						Quantità		Quantité		8		
						Quantity		Menge				
Rep Item	Part. Number	DESCRIZIONE	DESIGNATION	DESCRIPTION	BEZEICHNUNG	MVT 1230L						
27	486289	vite	vis	screw	schraube	4						
28	485390	supporto	support	support	lager	1						
29	487333	supporto	support	support	lager	1						
30	527767	kit guarnizioni	poquette de joints	seal kit	dichtungssatz	1						
31	508544	accoppiatore	reducteur	coupler	kupplungsgetriebe	1						
32	508543	accoppiatore	reducteur	coupler	kupplungsgetriebe	1						
33	471336	vite	vis	screw	schraube	23						
34	448291	rondella	rondelle	washer	unterlegscheibe	11						
35	486122	rondella	rondelle	washer	unterlegscheibe	1						
36	484802	rondella	rondelle	washer	unterlegscheibe	8						
37	504449	vite	vis	screw	schraube	8						
38	508801	mozzo	moyeu	hub	nabe	1						
39	508802	supporto	support	support	lager	1						
40	485592	rondella	rondelle	washer	unterlegscheibe	2						
41	471347	vite	vis	screw	schraube	4						
43	488689	pompa	pompe	pump	pumpe	1						
45	501214	kit guarnizioni	poquette de joints	seal kit	dichtungssatz	1						
46	508803	blocchetto	bloc	block	bloeckchen	16						
47	471335	vite	vis	screw	schraube	2						
48	484678	rondella	rondelle	washer	unterlegscheibe	4						
49	471331	dado	ecrou	nut	mutter	2						
50	543672	trasmettitore	transmetteur	transmitter	geber	1						
52	487201	rondella	rondelle	washer	unterlegscheibe	2						
53	484799	vite	vis	screw	schraube	2						

		IMPIANTO IDRAULICO (Sfilo-brandeggio)				Quantità		Quantité		11	
2/3		HYDRAULIQUE (Circuit telescopage circuit - inclinaison fourche)				Quantity		Menge			
		HYDRAULIC (Telescope circuit - tilting)									
		HYDRAULIK (Zusammenstroll kreis-neige)									
Rep Item	Part. Number	DESCRIZIONE	DESIGNATION	DESCRIPTION	BEZEICHNUNG	MVT 1230L					
31	499948	collare	collier	collar	stellring	3					
32	482692	vite	vis	screw	schraube	6					
33	405950	raccordo	raccord	pipe fitting	rohrverbindung	2					
34	487358	raccordo	raccord	pipe fitting	rohrverbindung	4					
35	504380	tubo	tuyau	hose	schlauch	1					
36	504379	tubo	tuyau	hose	schlauch	1					
37	504377	tubo	tuyau	hose	schlauch	1					
38	504376	tubo	tuyau	hose	schlauch	1					
39	504103	tappo	bouchon	plug	stopfen	2					
40	448487	collare	collier	collar	stellring	8					
41	487779	piastro	plaque	plate	platte	8					
42	471338	vite	vis	screw	schraube	8					
43	487190	tubo	tuyau	hose	schlauch	1					
44	487191	tubo	tuyau	hose	schlauch	1					
45	487243	raccordo	raccord	pipe fitting	rohrverbindung	2					
46	505442	vite	vis	screw	schraube	4					
47	471326	rondella	rondelle	washer	unterlegscheibe	4					
48	199263	valvola	kit soupape	valve kit	ventilsatz	1					
49	499523	perno	pivot	pin	bolzen	1					
50	470165	collare	collier	collar	stellring	1					
51	484202	piastro	plaque	plate	platte	1					
52	484734	vite	vis	screw	schraube	1					
53	607305	griglia	grille	grate	gitter	1					
54	479764	dado	ecrou	nut	mutter	4					
55	485674	rondella	rondelle	washer	unterlegscheibe	4					

15-2

IMPIANTO IDRAULICO (Selettore idraulico)
HYDRAULIQUE (Selecteur hydraulique)
HYDRAULIC (Hydraulic selector)
HYDRAULIK (Hydraulikwähler)

MVT 1230L

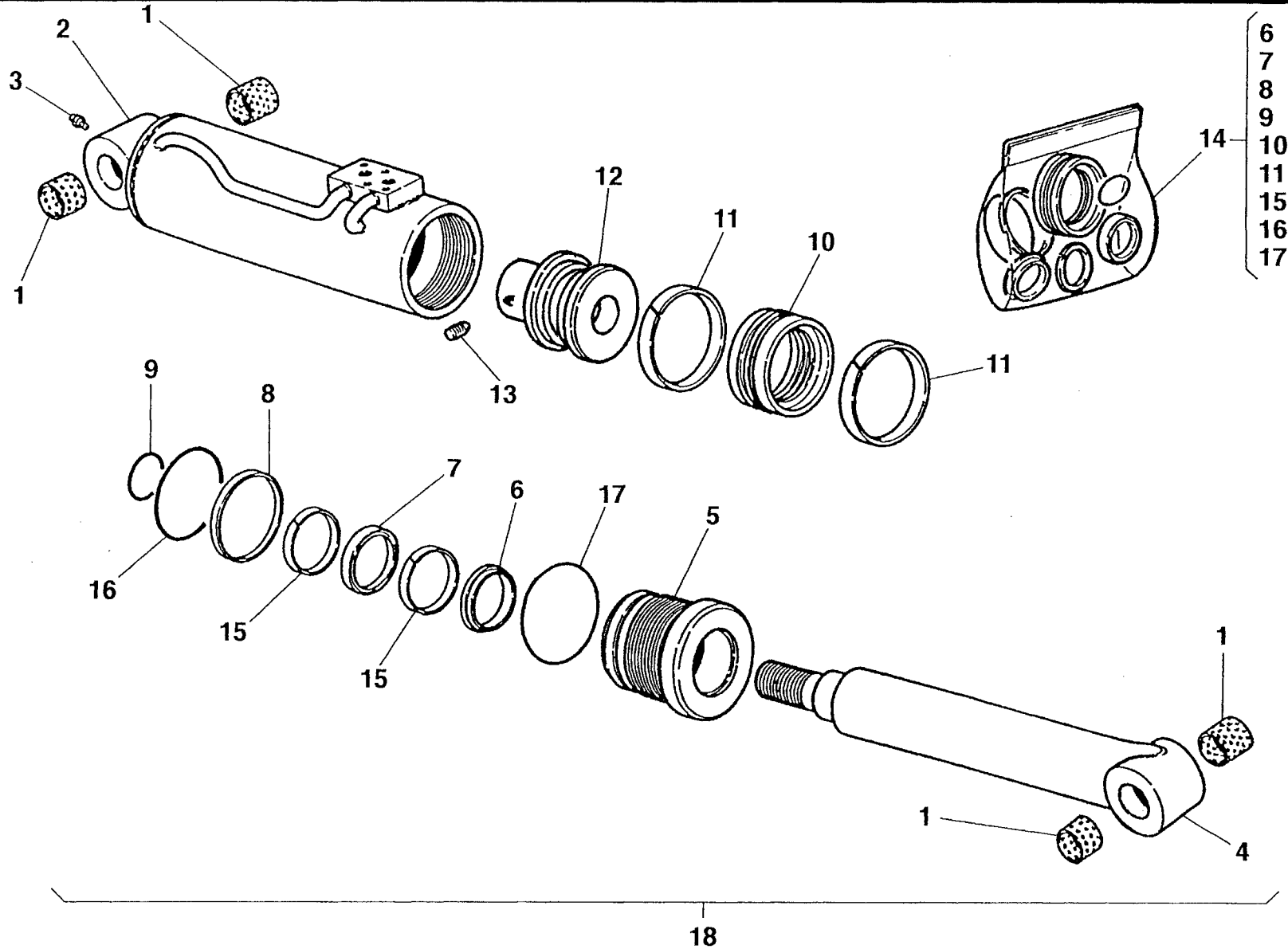


		IMPIANTO IDRAULICO FRENANTE E ACCELERATORE CIRCUIT FREINAGE ET ACCELERATEUR BRAKES CIRCUIT AND ACCELERATOR BREMSEKREIS UND GASSYSTEM				Quantità Quantity		Quantité Menge		18	
1/2						MVT 1230L					
Rep Item	Part. Number	DESCRIZIONE	DESIGNATION	DESCRIPTION	BEZEICHNUNG						
1	470184	perno	pivot	pin	bolzen	1					
2	527321	pedale	pedale	pedal	fusshebel	1					
3	78963	cavo	cable	cable	kabel	1					
4	78960	pedale	pedale	pedal	fusshebel	1					
5	488341	arresto	arret	stop	anhalt	1					
6	77957	guida	guide	guide	fuehrung	2					
7	455018	rondella	rondelle	washer	unterlegscheibe	3					
8	482629	vite	vis	screw	schraube	2					
12	544334	kit guarnizioni	kit joints	seal kit	dichtungssatz	1					
13	487445	boccola	douille	bushing	buchse	2					
14	527311	perno	pivot	pin	bolzen	1					
15	471363	vite	vis	screw	schraube	3					
16	471320	dado	ecrou	nut	mutter	5					
17	543967	molla	ressort	spring	feder	2					
18	499601	vite	vis	screw	schraube	1					
19	72563	pedana	marchepied	foot board	fussplatte	1					
20	527317	pompa	kit pour pompe	pump kit	pumpensatz	1					
21	471325	dado	ecrou	nut	mutter	1					
22	448191	forcella	fourchette	fork	gabel	1					
23	448189	perno	pivot	pin	bolzen	1					
24	5549	forcella	fourchette	fork	gabel	1					
25	471326	rondella	rondelle	washer	unterlegscheibe	1					

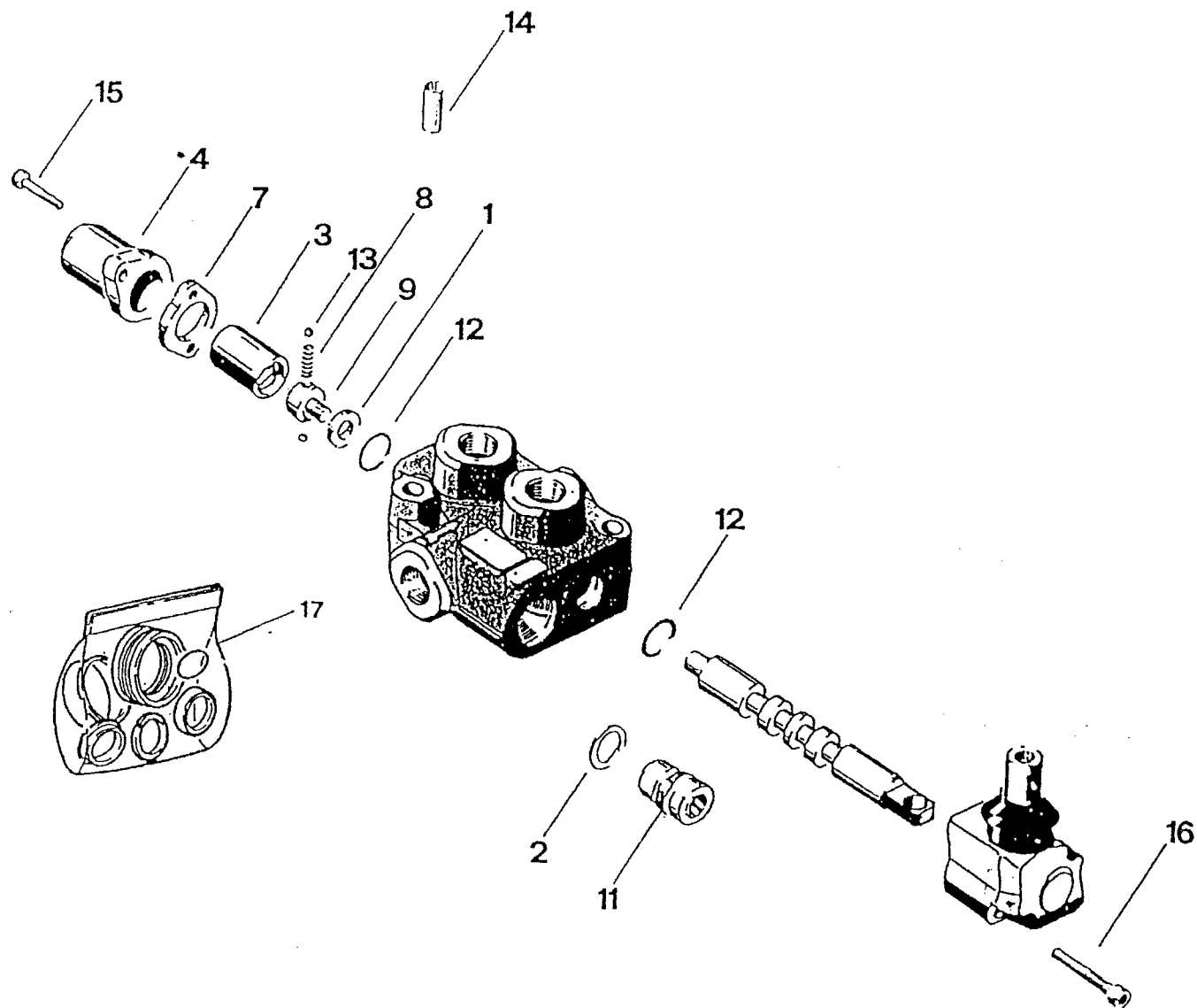
23

IMPIANTO IDRAULICO (Cilindro di brandeggio)
HYDRAULIQUE (Verin d'inclinaison)
HYDRAULIC (Tilt cylinder)
HYDRAULIK (Neigezylinder)

MVT 1230L



DISTRIBUTORE STERZO
DISTRIBUTEUR DE DIRECTION
STEERING VALVE BANK
KOMMANDOSTEUERVENTIL



CLICK HERE TO **DOWNLOAD** THE COMPLETE MANUAL

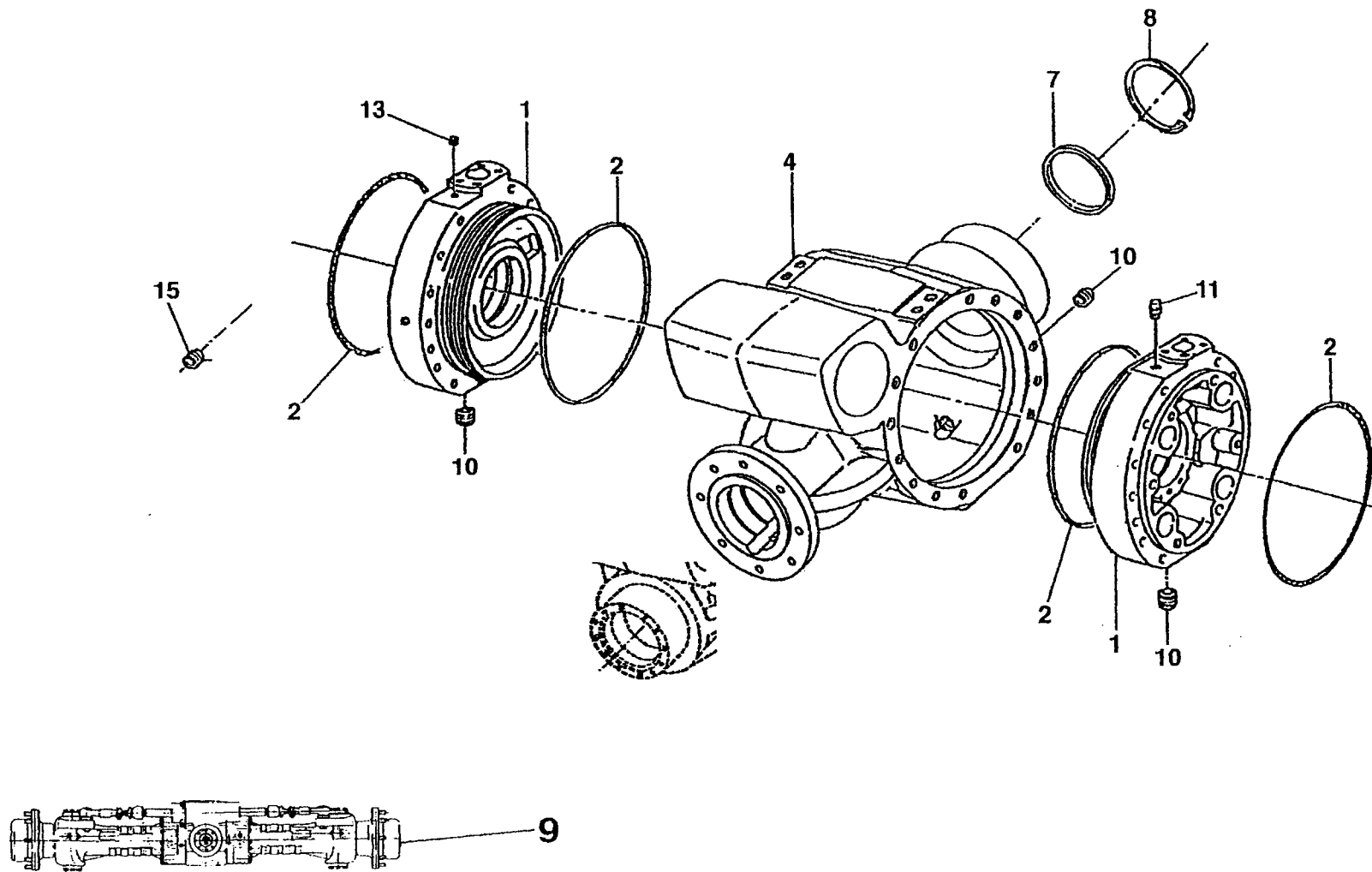
- Thank you very much for reading the preview of the manual.
- You can download the complete manual from: www.heydownloads.com by clicking the link below



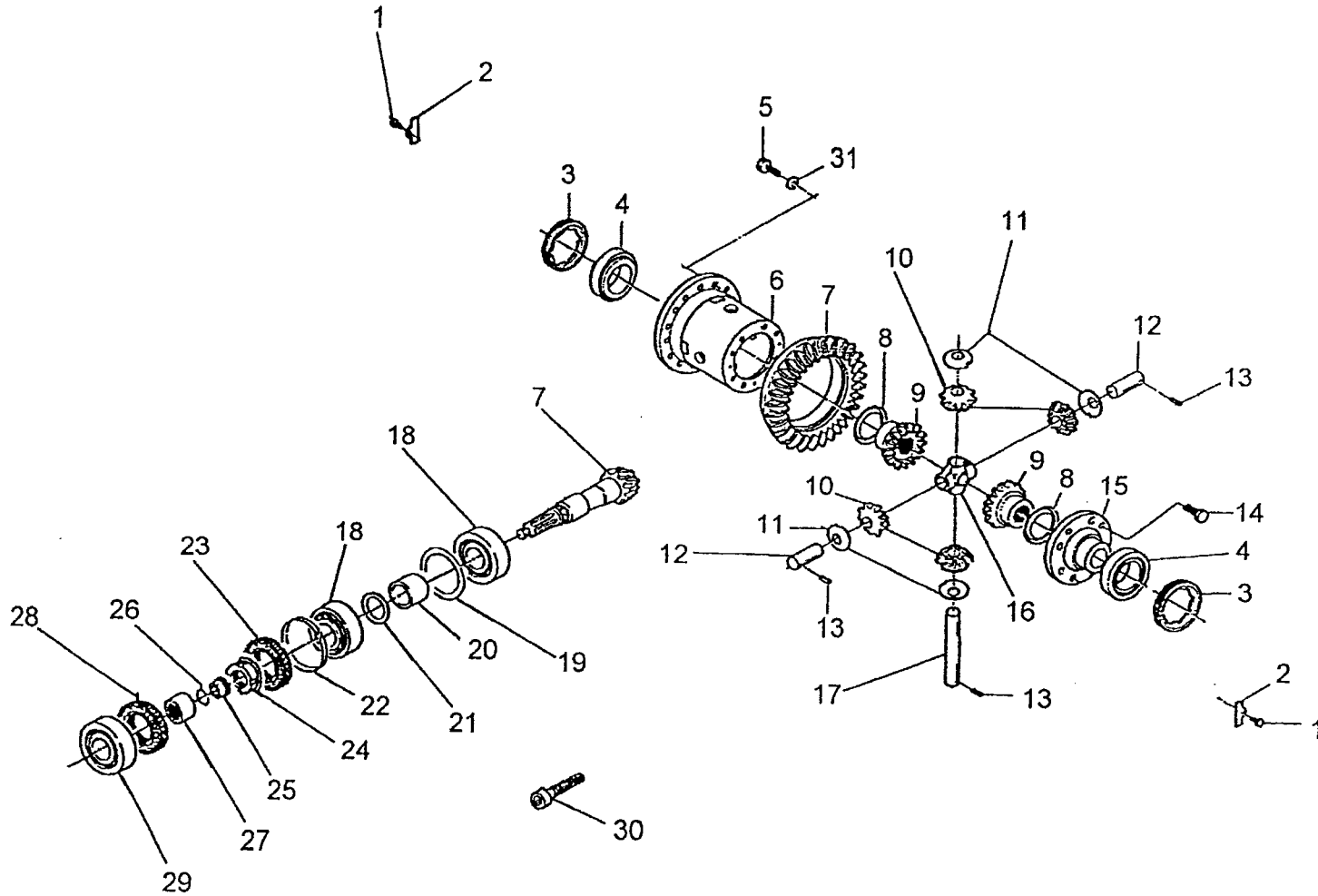
- Please note: If there is no response to CLICKING the link, please download this PDF first and then click on it.

CLICK HERE TO **DOWNLOAD** THE COMPLETE MANUAL

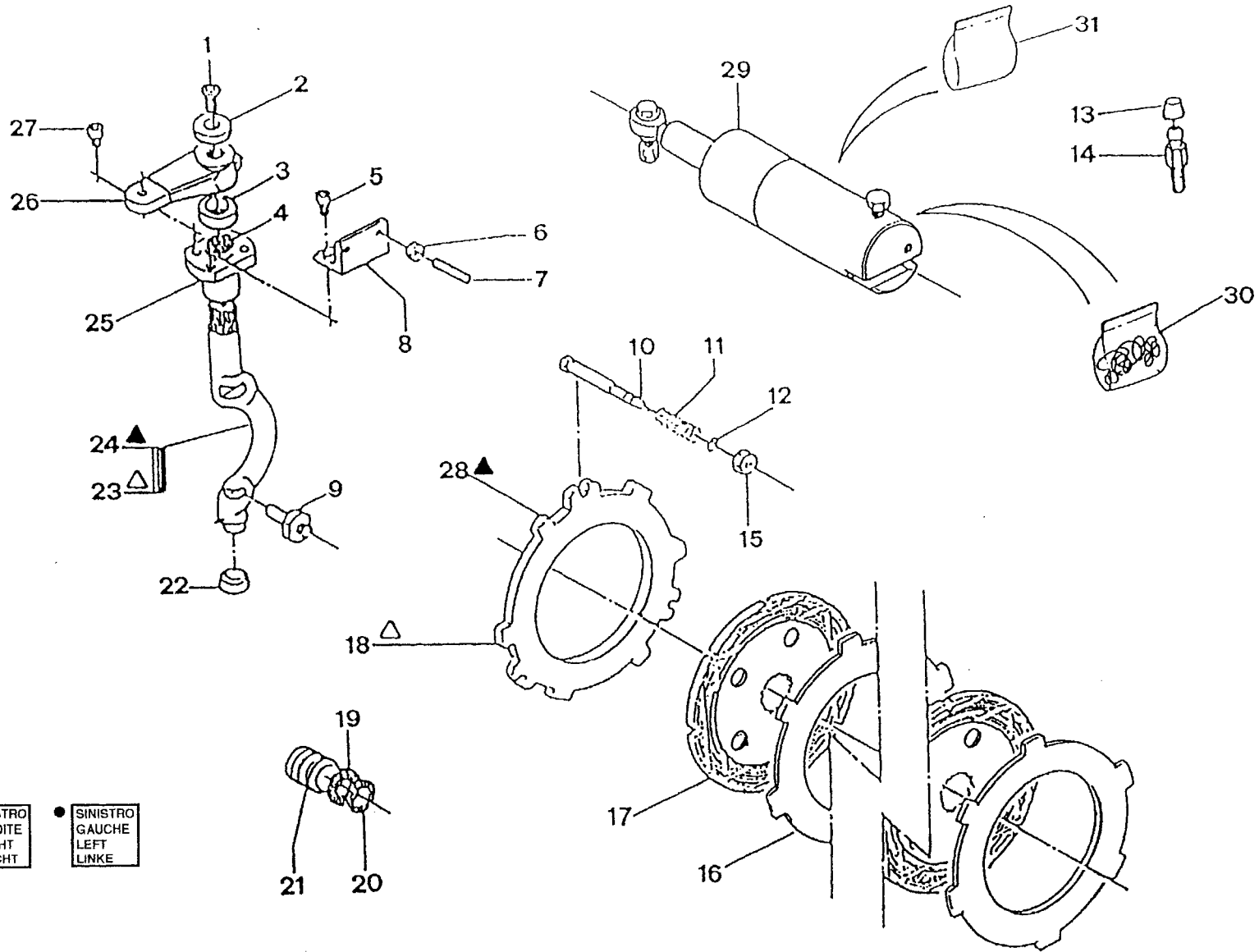
CARTER ASSALE POSTERIORE
CARTER ESSIEU ARRIERE
REAR AXLE CASING
HINTERACHSE GEHAEUSE



DIFFERENZIALE ASSALE ANTERIORE
 DIFFERENTIAL FRONT AXLE
 DIFFERENTIAL FRONT AXLE
 VORNACHSE DIFFERENTIAL

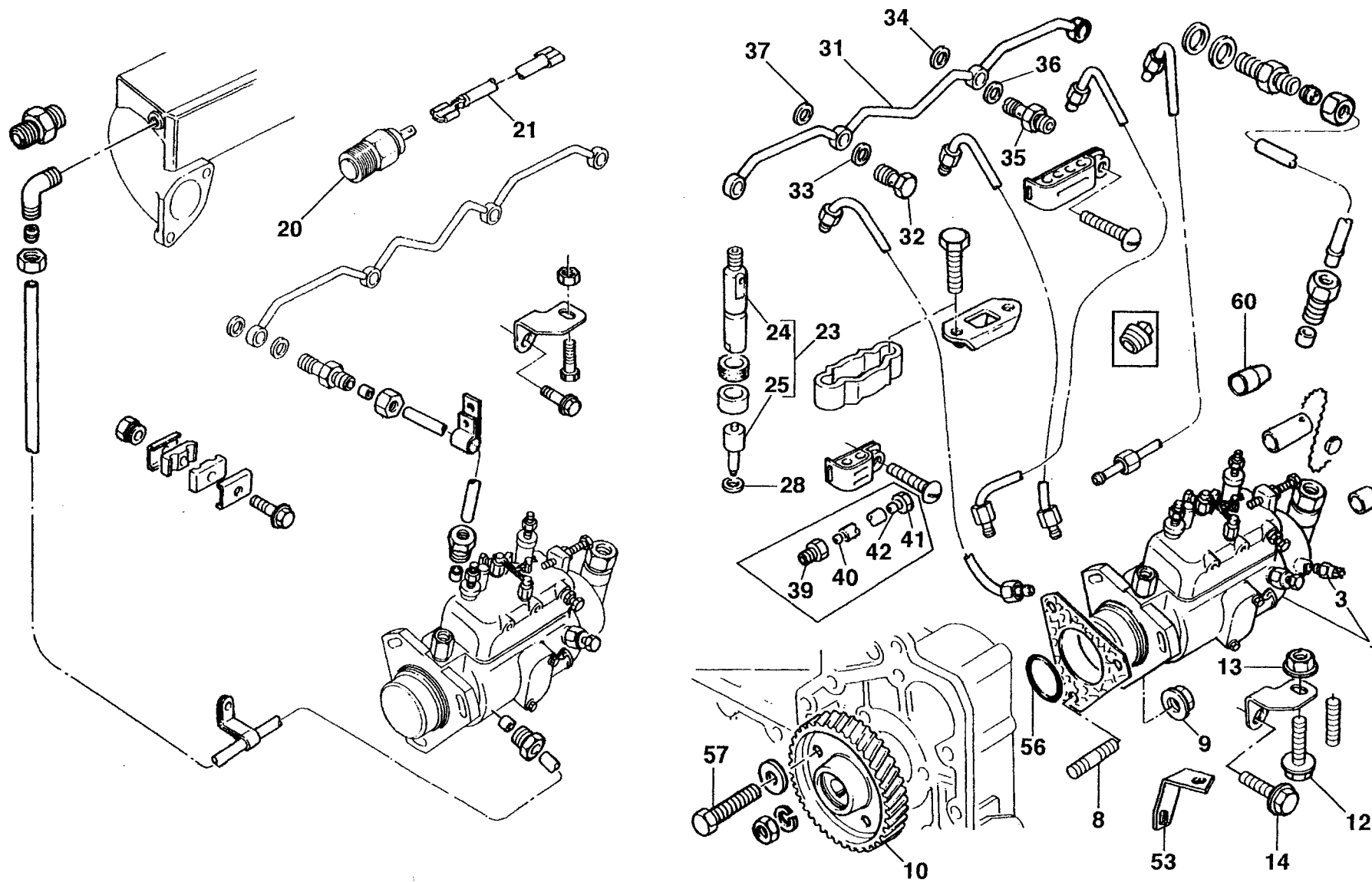


FRENO IDRAULICO NEGATIVO ASSALE ANTERIORE
 FREIN HYDRAULIQUE NEGATIF-ESSIEU AVANT
 FRONT AXLE HYDRAULIC NEGATIVE BRAKE
 NEGATIV HYDRAULIK BREMSE-VORNACHSE



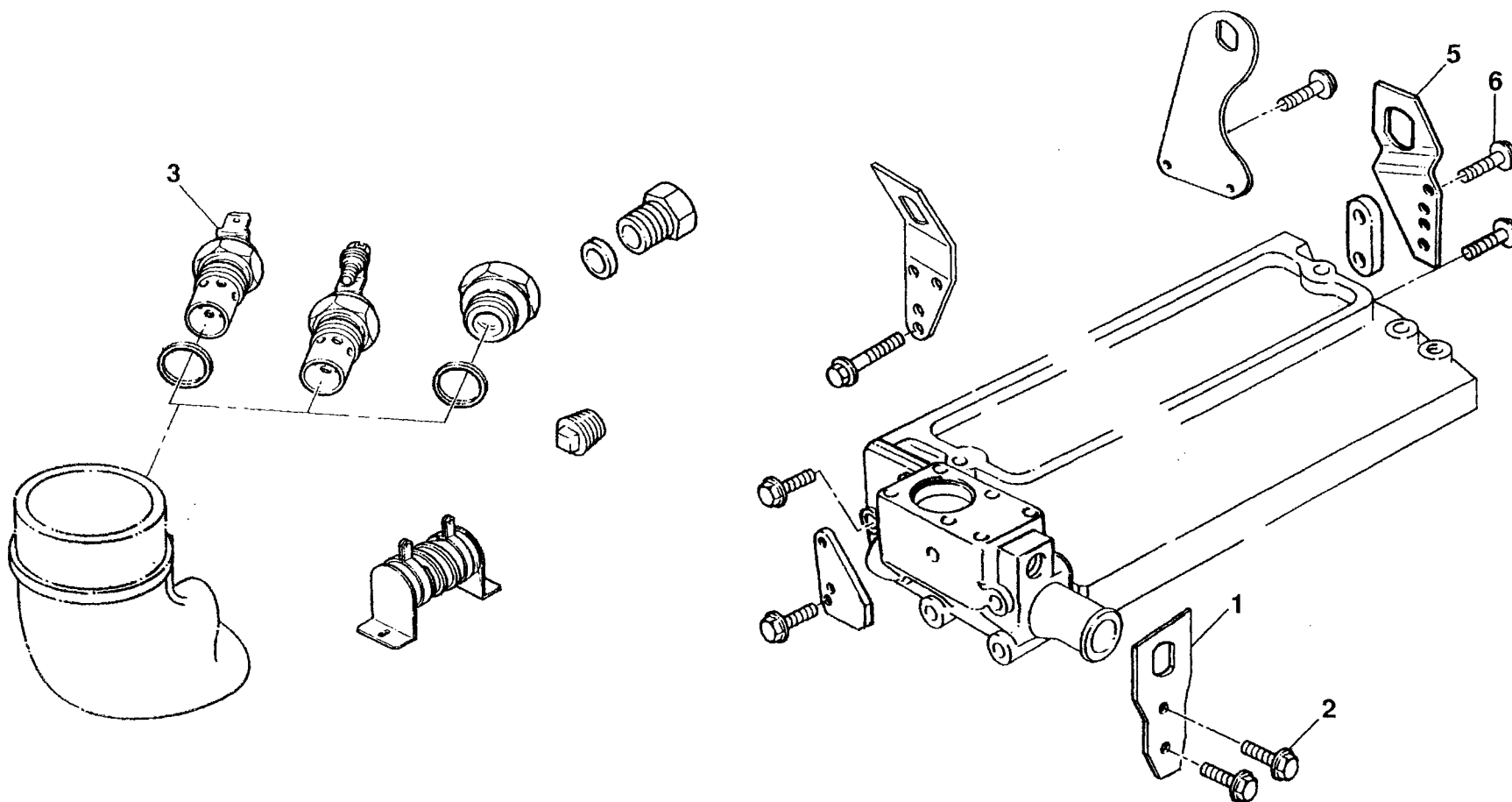
						Quantità		Quantité		56		
						Quantity		Menge				
						MVT 1230L						
1/1	POMPA IDROSTATICA (Elettrovalvola) POMPE HYDROSTATIQUE (oupape électrique) HYDROSTATIC PUMP (Solenoid valve) HYDROSTATIK PUMPE (Elektriventil)											
Rep Item	Part. Number	DESCRIZIONE	DESIGNATION	DESCRIPTION	BEZEICHNUNG							
1	551532	distributore	distributeur	control valve	steverblock	1						
2	58112	presa	prise	socket	steckdose	1						
3	552504	guarnizione	joint	seal	dichtung	1						
4	56901	guarnizione	joint	seal	dichtung	2						
5	58113	presa	prise	socket	steckdose	1						
6	200012	solenoido	solenoido	solenoid	solenoid	2						
7	200011	guarnizione	joint	seal	dichtung	1						

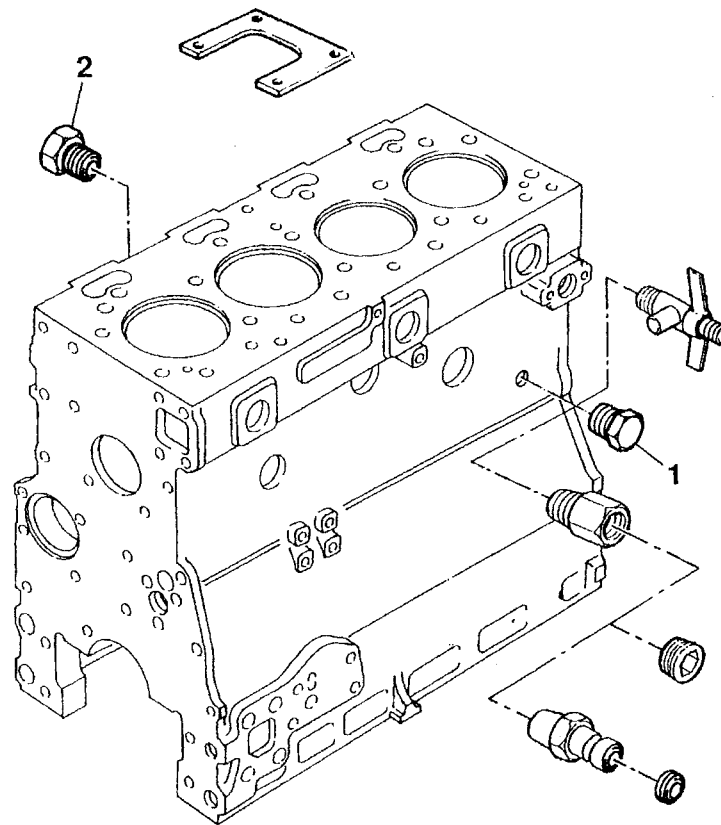
EQUIPAGGIAMENTO INIEZIONE NAFTA (DIESEL)
EQUIPEMENT D'INJECTION (DIESEL)
FUEL INJECTION EQUIPMENT (DIESEL)
EINSPRITZANLAGE (DIESEL)



						Quantità Quantity		Quantité Menge		70	
1/1											
COMANDO VENTOLA COURROIE DE VENTILATEUR FAN DRIVE LUEFTERRIEMEN											
Rep Item	Part. Number	DESCRIZIONE	DESIGNATION	DESCRIPTION	BEZEICHNUNG	MVT 1230L					
1	473996	vite	vis	screw	schraube	4					

		COLLETTORE ASPIRAZIONE COLLECTEUR D'ADMISSION INDUCTION MANIFOLD ANSAUGKRUEMMER				Quantità Quantity		Quantité Menge		79				
1/1	Rep Item	Part. Number	DESCRIZIONE	DESIGNATION	DESCRIPTION	BEZEICHNUNG	MVT 1230L							
	1	563554	collettore	collecteur	manifold	ansaugkruemmer	1							
	2	564125	collettore	collecteur	manifold	ansaugkruemmer	1							
	3	563556	giunto	joint	joint	kupplung	1							
	4	563557	vite	vis	screw	schraube	8							
	5	563558	vite	vis	screw	schraube	8							
	6	474108	tappo	bouchon	plug	stopfen	1							
	7	563559	insieme tenute	produit etanch	sealing compound	dichtungsmittel	1							
	11	563560	insieme tenute	produit etanch	sealing compound	dichtungsmittel	1							
	13	564112	connessione	joint	connection	verbindungsstueck	1							
	14	473986	vite	vis	screw	schraube	2							
	15	474032	vite	vis	screw	schraube	2							





INDEX CATALOGUE n°648000

REFERENCE	PAGE	REF.	REFERENCE	PAGE	REF.	REFERENC	PAGE	REF.
1371	37	22	105424	44	47	106590	43	44/1
1372	37	23	105424	49	28	106590	44	34/1
1675	37	27	105425	49	60	106591	43	44/2
2163	37	21	105499	49	41	106591	44	34/2
5160	6	71	105514	78	19	106594	43	5
5549	18	24	105516	78	11	106597	48	25
24653	38	9	105660	44	7	106598	48	3
25713	6 - 3	22	105662	44	7/1	106610	48	20
25713	6 - 1	6	105664	44	8	106611	48	19
42325	6 - 1	36	105938	43	14	106840	43	28
42412	6 - 2	17	105938	44	15	106840	44	18
42412	6 - 2	50	105988	48	26	107196	45	3
42675	6 - 2	28	106010	48	14	107196	46	3
51414	6 - 1	43	106019	48	27	107284	48	24
54242	6 - 1	35	106027	48	22	107285	48	23
54242	6 - 1	39	106050	43	16	107286	48	9
54305	6	27	106050	44	16	107292	46	23
55404	6 - 3	47	106069	49	35	107293	46	19
55404	6 - 1	2	106080	43	48	107294	46	20
55404	6	49	106080	44	38	107330	60	24
55714	6	63	106086	49	64	107335	61	21
56901	56	4	106089	49	3	107349	64	19
56903	55	5	106377	45	23	107363	60	26
56903	55	19	106389	88	3	107363	64	3
56908	51	18	106530	41	12	107363	66	12
56913	57	35	106530	42	13	107363	71	15
57484	51	15	106533	41	5	107363	72	33
57484	55	15	106533	42	2	107363	76	26
57487	51	13	106537	42	14	107363	77	7
57489	57	7	106547	45	1	107363	77	18
57495	55	14	106547	46	1	107363	82	13
57504	51	14	106548	45	2	107363	83	8
58112	56	2	106548	46	2	107674	41	2
58113	56	5	106550	45	4	107674	42	11
58535	6	57	106550	46	4	107674	49	7
61024	39	2	106555	45	8	107694	65	7
61975	6 - 2	13	106555	46	7	107702	68	11
63754	6 - 1	40	106558	45	11	107732	44	54
72563	18	19	106558	46	9	107796	48	13
74362	16	4	106559	45	12	108056	48	7
75498	9	63	106559	46	10	108100	43	20
76572	38	4	106561	45	17	108100	44	45
77957	18	6	106561	46	15	108215	62	19
78960	18	4	106567	48	2	108232	75	33
78963	18	3	106577	43	13	108248	77	1
105101	43	19	106577	44	13	108288	85	8
105101	44	46	106578	43	15	108308	91	26
105151	49	27	106578	44	14	108383	43	21
105152	49	29	106585	43	34	108383	44	44
105153	49	30	106585	44	23	108393	49	24
105156	49	51	106586	43	33	108501	85	4
105197	49	10	106586	44	22	108503	85	3
105204	49	40	106589	43	44	108504	86	7
105424	43	18	106589	44	34	108556	45	31

CLICK HERE TO **DOWNLOAD** THE COMPLETE MANUAL

- Thank you very much for reading the preview of the manual.
- You can download the complete manual from: www.heydownloads.com by clicking the link below



- Please note: If there is no response to CLICKING the link, please download this PDF first and then click on it.

CLICK HERE TO **DOWNLOAD** THE COMPLETE MANUAL