



**COSTRUZIONI INDUSTRIALI
VIA CRISTOFORO COLOMBO 2
LOC. CAVAZZONA
41013 CASTELFRANCO EMILIA
MODENA TEL. 059/959811**

A PARTIRE DALLA MACCHINA
A PARTIR DE LA MACHINE
FROM MACHINE
AB DER MASCHINE
A PARTIR DE LA MAQUINA

E PER - ET POUR
AND FOR - UND FÜR
Y PARA
N° 23460 - 414927

I→ N° 23598 - 759346

REF: 648585

03/2011

MHT 780

Evolution

E3 - Serie 2

**CATALOGO RICAMBI
CATALOGUE PIECES
PARTS CATALOGUE
ERSATZTEILKATALOG
CATALOGO PIEZAS**

PARTE

1/2

CLICK HERE TO **DOWNLOAD** THE COMPLETE MANUAL

- Thank you very much for reading the preview of the manual.
- You can download the complete manual from: www.heydownloads.com by clicking the link below

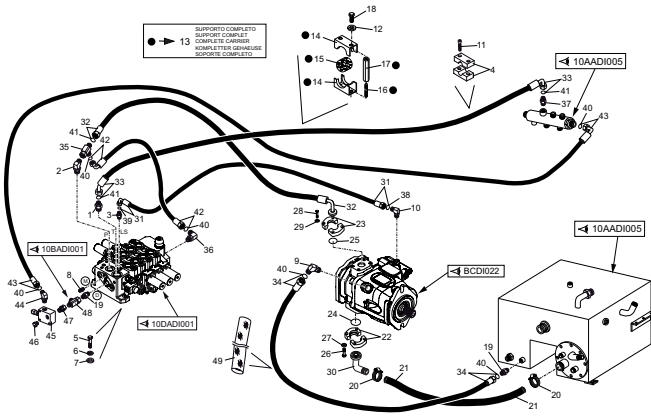


- Please note: If there is no response to CLICKING the link, please download this PDF first and then click on it.

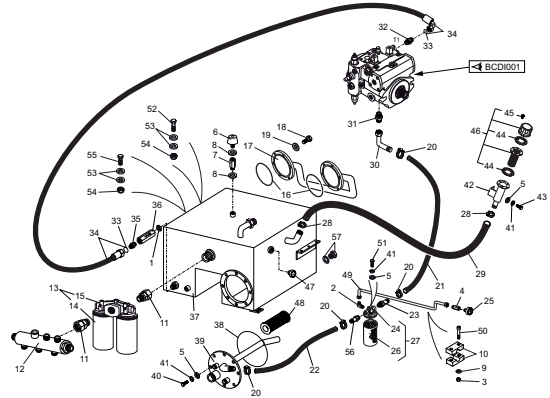
CLICK HERE TO **DOWNLOAD** THE COMPLETE MANUAL

INDEX

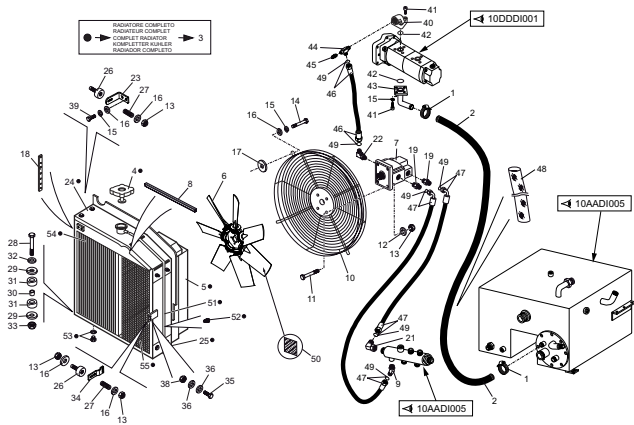
10AADI001



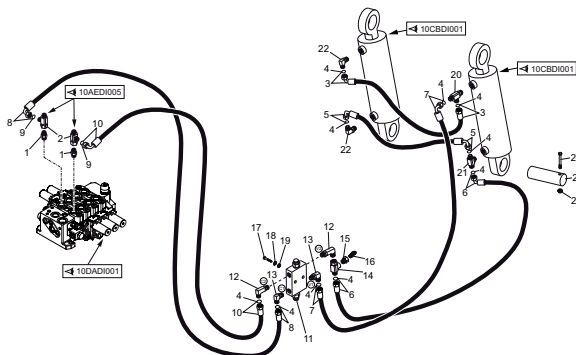
10AADI005



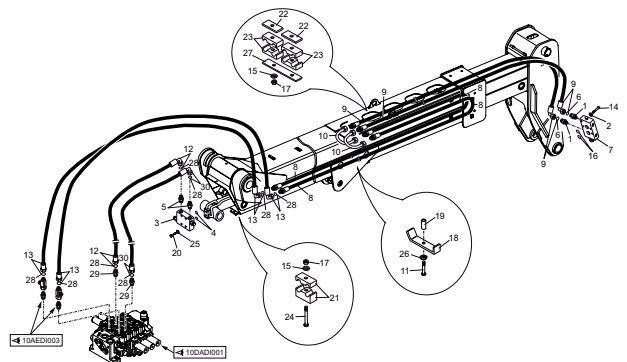
10AADI010



10AEDI003

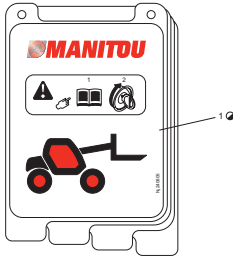


10AEDI005



INDEX

12AADI001



FORNITO SOLAMENTE COMUNICANDO MATRICOLA DELLA MACCHINA
 FOURNI SEULEMENT EN COMMUNIQUANT MATRICULE DE LA MACHINE
 SUPPLIED ONLY COMMUNICATING MACHINE SERIAL NUMBER
 DELIVERÉES UNiquement EN COMMUNIQUANT LE NUMÉRO DE SÉRIE DE LA MACHINE
 PROVEVEDO SOLO COMUNICANDO MATRICOLA MACQUINTA

- 1 (I)
- 1 (F)
- 1 (GB)
- 1 (D)
- 1 (ES)

12AADI002

STOP 10

Evolution 5 14

TURBO 4 13

MHT 780 6 12

5 bar - 70 PSI

DIESEL 7

ANTIGEL ANTI-FREEZE FROSTSCHUTZ ANTICONGELANTE

-21 C -6 F	-30 C -22 F	-40 C -40 F
---------------	----------------	----------------

HUILE HYDRAULIQUE HYDRAULIC OIL HYDRAULIK ÖL ACEITE HIDRAULICO

PERICOLO NON APRIRE IL COFANO CON MOTORE ACESO

- 2 (I)
- 2 (F)
- 2 (GB)
- 2 (D)
- 2 (ES)

12AADI003

MANISCOPIC 2

ATTENZIONE LIQUIDO PER FRENI Utilizzare ESCLUSIVAMENTE olio minerale CONSIGLIATO LHM

3 (I) 3 (F) 3 (GB) 3 (D) 3 (ES)

20 8

25 9

40 70

MANITOU 10 4 11

105 dB 5

6 (I) 6 (F) 6 (GB) 6 (D) 6 (ES)

12AADI004

STOP 2 3

IMPORTANTE

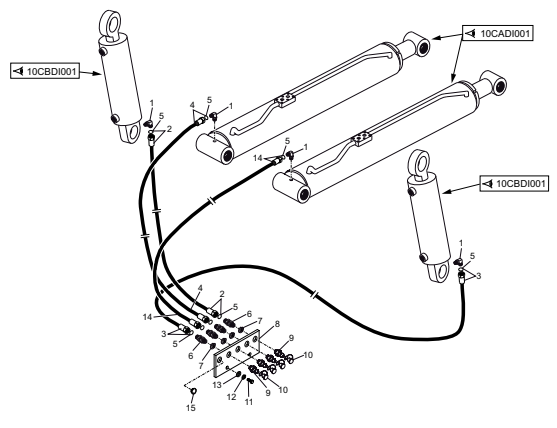
1 (I) 1 (F) 1 (GB) 1 (D) 1 (ES)

MANITOU 6

4

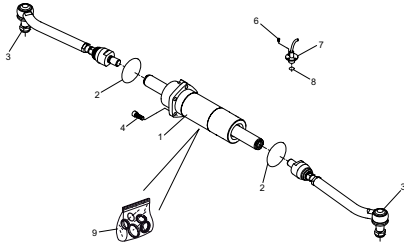
5

17AADI001

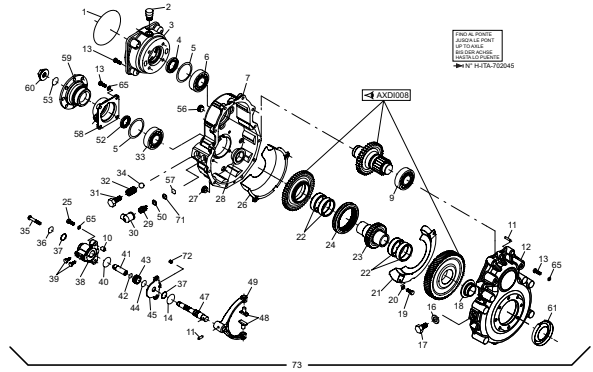


INDEX

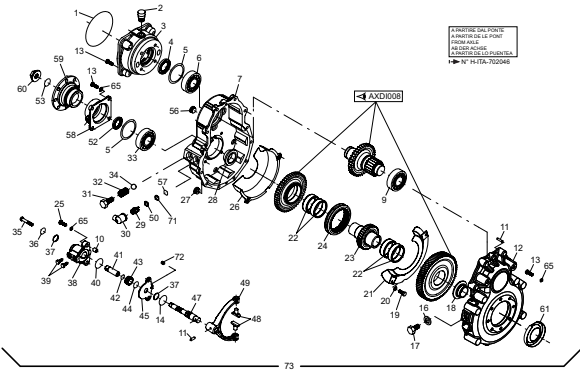
AXDI005



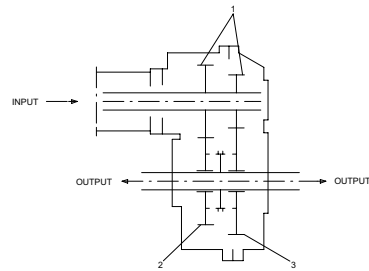
AXDI007



AXDIA007



AXDI008

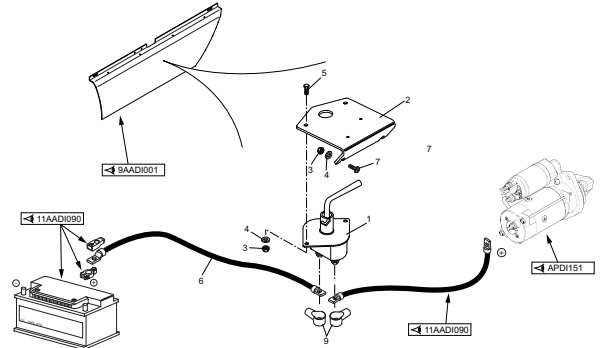


INDEX

11AADI095

OPTIONS

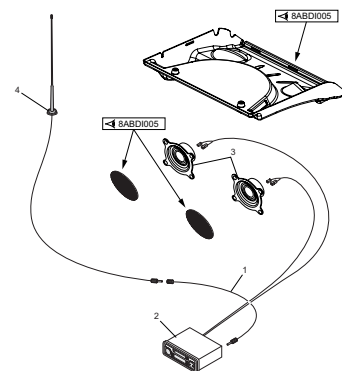
KIT DEGAGEMENT BATTERIE
777296



11ABDI001

OPTIONS

ELECTRICITE (RADIO)
608652



Rep Item	1/1	648585	ALLESTIMENTO MOTORE - TRASMISSIONE (Filtro aria) ADAPTATION MOTEUR-TRANSMISSION (Filtre a air) ENGINE-TRANSMISSION ADAPTATION (Air cleaner) MOTOR-GETRIEBE ANPASSUNG (Luftfilter) ADAPTACION MOTOR - TRANSMISION (Filtro de aire)				MHT 780			Quantity	Quantità	4AADI
			Part. Number	DESCRIZIONE	DESIGNATION	DESCRIPTION	BEZEICHNUNG	DESCRIPCION	Quantity	Menge	003	
1	741369	filtro completo	filtre complet	complete filter	filter komplett	filtro completo	1					
2	776004	manicotto	manchon	sleeve	muffe	manga	1					
3	723765	indicatore	indicateur	indicator	zeiger	indicador	1					
4	775480	cartuccia	cartouche	cartridge	patrone	cartucho	1					
5	775479	cartuccia	cartouche	cartridge	patrone	cartucho	1					
6	776002	coperchio	couvercle	cover	deckel	tapa	1					
7	776003	gancio	crocket	hook	haken	gancho	3					
8	656731	valvola	soupape	valve	ventil	valvula	1					
9	776005	fascetta	collier	clamp	schelle	abrazadera	1					

Rep Item	1/1	648585	CIRCUITO TRASMISSIONE IDROSTATICA (Circuito cambio di velocità) CIRCUIT TRANSMISSION HYDROSTATIQUE (Circuit changement vitesse) HYDROSTATIC TRANSMISSION CIRCUIT (Speed changer circuit) HYDROSTATICK GETRIEBEKREIS (Geschw-wechselkreis) CIRCUITO TRANSMISION HIDROSTATICA (Circuito cambio de velocidad)				MHT 780		Quantity	Quantità	4ABDI
			Part. Number	DESCRIZIONE	DESIGNATION	DESCRIPTION	BEZEICHNUNG	DESCRIPCION	Quantity	Menge	020
1		569309	elettrovalvola	soupape electrique	solenoid valve	elektroventil	electrovalvula	1			
2		569257	bobina	bobine	reel	rolle	bobina	2			
3		487366	raccordo	raccord	pipe fitting	rohrverbindung	conexion	4			
4		505198	vite	vis	screw	schraube	tomillo	2			
5		448401	rondella	rondelle	washer	unterlegscheibe	arandela	2			
6		455018	rondella	rondelle	washer	unterlegscheibe	arandela	2			
7		175498	raccordo	raccord	pipe fitting	rohrverbindung	conexion	2			
8		744526	tubo	tuyau	hose	schlauch	tubo	2			
9		744544	tubo	tuyau	hose	schlauch	tubo	1			
10		743663	tubo	tuyau	hose	schlauch	tubo	1			
11		501219	guarnizione	joint	seal	dichtung	guarnicion	1			
12		501220	guarnizione	joint	seal	dichtung	guarnicion	7			

Rep Item	1/1	648585	ZAVORRE LEST BALLAST BALLAST CONTRAPESO				6AADI 006		
			Part. Number	DESCRIZIONE	DESIGNATION	DESCRIPTION	BEZEICHNUNG	DESCRIPCION	Quantity
1	527804	zavorra	lest	ballast	ballast	contrapeso	contrapeso	1	
2	527805	zavorra	lest	ballast	ballast	contrapeso	contrapeso	1	
3	484150	vite	vis	screw	screw	schraube	tornillo	4	
4	471318	rondella	rondelle	washer	washer	unterlegscheibe	arandela	10	
5	527987	vite	vis	screw	screw	schraube	tornillo	2	
6	881372	zavorra	lest	ballast	ballast	contrapeso	contrapeso	1	
7	544179	staffa	etrier	bracket	bracket	buegel	estribo	1	
8	545050	vite	vis	screw	screw	schraube	tornillo	4	
9	487198	rondella	rondelle	washer	washer	unterlegscheibe	arandela	8	
10	479764	dado	ecrou	nut	nut	mutter	tuerca	4	
11	579646	protezione	protection	guard	guard	schutz	proteccion	1	
12	509930	perno	pivot	pin	pin	bolzen	perno	1	
13	470139	copiglia	goupille	cotter pin	cotter pin	splint	clavija	1	
14	478860	vite	vis	screw	screw	schraube	tornillo	4	

Rep Item	1/1	648585	PEDALE ACCELERATORE PEDALE ACCELERATEUR ACCELERATOR PEDAL GASPEDAL PEDAL ACELERADOR				MHT 780	Quantità Quantity Quantité		6BBDI 005
			Part. Number	DESCRIZIONE	DESIGNATION	DESCRIPTION		BEZEICHNUNG	DESCRIPCION	
1		265406	pedale acceleratore	pedale accelerateur	accelerator pedal	gaspedal	pedal acelerador	1		
2		224862	supporto	support	support	lager	soporte	1		
3		471402	dado	ecrou	nut	mutter	tuerca	2		
4		77957	guida	guide	guide	fuehrung	guia	2		
5		487815	vite	vis	screw	schraube	tornillo	2		
6		448401	rondella	rondelle	washer	unterlegscheibe	arandela	3		
7		486204	perno	pivot	pin	bolzen	perno	1		
8		744416	forcella	fourchette	fork	gabel	horquilla	1		
9		266031	cavo	cable	cable	kabel	cable	1		
10		471360	rondella	rondelle	washer	unterlegscheibe	arandela	1		
11		455185	dado	ecrou	nut	mutter	tuerca	1		
12		885606	supporto	support	support	lager	soporte	1		
13		266041	potenziometro	potentiometre	potentiometer	potentiometer	potenciometro	1		
14		471349	vite	vis	screw	schraube	tornillo	2		
15		448285	rondella	rondelle	washer	unterlegscheibe	arandela	2		
16		471360	rondella	rondelle	washer	unterlegscheibe	arandela	2		
17		471377	vite	vis	screw	schraube	tornillo	2		
18		455018	rondella	rondelle	washer	unterlegscheibe	arandela	4		
19		471403	vite	vis	screw	schraube	tornillo	1		

1/2	648585	CABINA (Particolari) CABINE (Details) CAB (Details) KABINE (Einzelteile) CABINA (Detailes)				8ABDI 005				
		Rep Item	Part. Number	DESCRIZIONE	DESIGNATION	DESCRIPTION	BEZEICHNUNG	DESCRIPCION	Quantity Quantité	Menge Quantität
								MHT 780		
1	882894	tettuccio	toit	canopy	fahrrerhausdach	tejadillo	1			
2	778321	cornice	cadre	frame	rahmen	marco	1			
3	882638	rondella	rondelle	washer	unterlegscheibe	arandela	2			
4	882639	vite	vis	screw	schraube	tornillo	2			
5	882640	lampada	lampe	lamp	lampe	lampara	1			
6	882641	linguetta	languette	tab	feder	lengueta	2			
7	882642	rivetto	rivet	rivet	niete	roblon	4			
8	882643	fermo	arretoir	retainer	halterung	reten	8			
9	882644	griglia	grille	grate	gitter	rejilla	2			
10	882645	vite	vis	screw	schraube	tornillo	8			
11	224765	interruttore	interrupteur	switch	schalter	interruptor	1			
12	747115	interruttore	interrupteur	switch	schalter	interruptor	1			
13	882603	cappuccio	capuchon	cover	kappe	capucha	1			
14	672138	vetrino	vitre	glass	glas	barniz vitreo	1			
15	882896	staffa	etrier	bracket	buegel	estribo	1			
16	882647	inserto	insert	insert	stuck	pion	5			
17	882648	inserto	insert	insert	stuck	pion	6			
18	882650	rondella	rondelle	washer	unterlegscheibe	arandela	4			
19	882651	vite	vis	screw	schraube	tornillo	5			
20	882897	supporto	support	support	lager	soporte	1			
21	882649	gabbietta	cage	retainer	kaefig	caja-jaula	2			
22	505234	vite	vis	screw	schraube	tornillo	2			
23	739305	rondella	rondelle	washer	unterlegscheibe	arandela	2			
24	882658	vite	vis	screw	schraube	tornillo	6			
25	510118	lampadina	lampe	bulb	birne	lamparilla	x			

CLICK HERE TO **DOWNLOAD** THE COMPLETE MANUAL

- Thank you very much for reading the preview of the manual.
- You can download the complete manual from: www.heydownloads.com by clicking the link below



- Please note: If there is no response to CLICKING the link, please download this PDF first and then click on it.

CLICK HERE TO **DOWNLOAD** THE COMPLETE MANUAL

Rep Item	1/1	648585	CABINA (Dispositivo di sicurezza) CABINE (Systeme de securite) CAB (Safety system) KABINE (Sicherheitsvorrichtung) CABINA (Dispositivo de seguridad)				Quantity Quantität Menge Quantità			8ACDI 005
			Part. Number	DESCRIZIONE	DESIGNATION	DESCRIPTION	BEZEICHNUNG	DESCRIPCION	MHT 780	
1		509048	scatola	boite	housing	gehaeuse	caja	1		
2		482749	vite	vis	screw	schraube	tornillo	2		
3		568272	rondella	rondelle	washer	unterlegscheibe	arandela	2		
4		485980	dado	ecrou	nut	mutter	tuerca	2		

1/2	648585	CARROZZERIA - TELAIO CARROSSERIE - CHASSIS BODY - FRAME KARROSSERIE - GESTELL CARROCERIA - BASTIDOR				MHT 780			9AAADI 002	
		Rep Item	Part. Number	DESCRIZIONE	DESIGNATION	DESCRIPTION	BEZEICHNUNG	DESCRIPCION	Quantity Quantité	Menge Quantità
1	471360	rondella	rondelle	washer	unterlegscheibe	arandela	11			
2	505245	rondella	rondelle	washer	unterlegscheibe	arandela	8			
3	448677	vite	vis	screw	schraube	tornillo	10			
4	471388	vite	vis	screw	schraube	tornillo	1			
5	737643	rondella	rondelle	washer	unterlegscheibe	arandela	2			
6	471403	vite	vis	screw	schraube	tornillo	6			
7	880749	supporto	support	support	lager	soporte	1			
8	508549	gabbietta	cage	retainer	kaefig	caja-jaula (M6)	2			
9	880753	carter	carter	housing	gehaeuse	carter	1			
10	471320	dado	ecrou	nut	mutter	tuerca	2			
11	774291	piastra	plaque	plate	platte	plancha	2			
12	448285	rondella	rondelle	washer	unterlegscheibe	arandela	11			
13	527966	gabbietta	cage	retainer	kaefig	caja-jaula (M8)	4			
14	448401	rondella	rondelle	washer	unterlegscheibe	arandela	12			
15	776851	vite	vis	screw	schraube	tornillo	4			
16	689336	puntale	butee	push rod	stuetze	puntal	2			
17	737642	spina	cheville	pin	stift	pernio	2			
18	718920	protezione	protection	guard	schutz	proteccion	1			
19	880745	supporto	support	support	lager	soporte	1			
20	882952	coperchio	couvercle	cover	deckel	tapa	1			
21	484100	rondella	rondelle	washer	unterlegscheibe	arandela	2			
22	775930	carter	carter	housing	gehaeuse	carter	1			
23	777184	carter	carter	housing	gehaeuse	carter	1			
24	737644	piatto	plateau	plate	teller	plato	2			
25	882953	coperchio	couvercle	cover	deckel	tapa	1			

1/1	648585	IMPIANTO IDRAULICO (Circuito alimentazione braccio) HYDRAULIQUE (Circuit alimentation fleche) HYDRAULIC (Jib feed circuit) HYDRAULIK (Ausleger zuschiebung kreis) HIDRAULICO (Circuito alimentacion aguilon)				Quantity Quantità		10AEDI 003
		Rep Item	Part. Number	DESCRIZIONE	DESIGNATION	DESCRIPTION	BEZEICHNUNG	DESCRIPCION
1	482664	raccordo	raccord	pipe fitting	rohrverbindung	conexion	2	
2	577578	raccordo	raccord	pipe fitting	rohrverbindung	conexion	2	
3	777471	tubo	tuyau	hose	schlauch	tubo	1	
4	501224	guarnizione	joint	seal	dichtung	guarnicion	10	
5	777470	tubo	tuyau	hose	schlauch	tubo	1	
6	775236	tubo	tuyau	hose	schlauch	tubo	1	
7	775232	tubo	tuyau	hose	schlauch	tubo	1	
8	777090	tubo	tuyau	hose	schlauch	tubo	1	
9	501225	guarnizione	joint	seal	dichtung	guarnicion	2	
10	885797	tubo	tuyau	hose	schlauch	tubo	1	
11	568378	valvola	soupape	valve	ventil	valvula	1	
12	740639	raccordo	raccord	pipe fitting	rohrverbindung	conexion	2	
13	503921	raccordo	raccord	pipe fitting	rohrverbindung	conexion	2	
14	504999	raccordo	raccord	pipe fitting	rohrverbindung	conexion	1	
15	513788	raccordo	raccord	pipe fitting	rohrverbindung	conexion	1	
16	448282	raccordo	raccord	pipe fitting	rohrverbindung	conexion	1	
17	471339	vite	vis	screw	schraube	tornillo	2	
18	448285	rondella	rondelle	washer	unterlegscheibe	arandela	2	
19	471360	rondella	rondelle	washer	unterlegscheibe	arandela	2	
20	488442	raccordo	raccord	pipe fitting	rohrverbindung	conexion	1	
21	488443	raccordo	raccord	pipe fitting	rohrverbindung	conexion	1	
22	673826	raccordo	raccord	pipe fitting	rohrverbindung	conexion	2	
23	730821	perno	pivot	pin	bolzen	perno	2	
24	478557	vite	vis	screw	schraube	tornillo	2	
25	448057	dado	ecrou	nut	mutter	tuerca	2	

Rep Item	Part. Number	IMPIANTO IDRAULICO (Cilindro di sollevamento)				10CADI 001				
		DESCRIZIONE	DESIGNATION	DESCRIPTION	BEZEICHNUNG	DESCRIPCION	Quantity Quantité	Menge Quantità		
1/1	648585	IMPIANTO IDRAULICO (Cilindro di sollevamento) HYDRAULIQUE (Vérin de levage) HYDRAULIC (Lifting cylinder) HYDRAULIK (Aufwinden zylinder) HIDRAULICO (Cilindro de levantamiento)							MHT 780	
1	479725	boccola	douille	bushing	buchse	buje	8			
2	883061	grano	pivot de repere	dowel pin	stift	perno de centrado	2			
3	675980	guarnizione	joint	seal	dichtung	guarnicion	4			
4	579729	guarnizione	joint	seal	dichtung	guarnicion	2			
5	659702	anello	bage	ring	ring	anillo	2			
6	883055	pistone	piston	piston	kolben	piston	2			
7	883063	distanziale	entretoise	spacer	abstandstück	separador	2			
8	470719	ingrassatore	graisseur	grease nipple	fettbuechse	engrasador	2			
9	883058	stelo	tige	rod	spindel	vastago	2			
10	883056	camicia	chemise	cylinder liner	laufbuchse	camisa	2			
11	742590	guarnizione	joint	seal	dichtung	guarnicion	4			
12	883057	testata	culasse	cylinder head	zylinderkopf	cabezera	2			
13	675975	guarnizione	joint	seal	dichtung	guarnicion	2			
14	675974	anello	bage	ring	ring	anillo	2			
15	883059	guarnizione	joint	seal	dichtung	guarnicion	2			
16	717267	guarnizione	joint	seal	dichtung	guarnicion	2			
17	883062	distanziale	entretoise	spacer	abstandstück	separador	2			
18	730416	cilindro completo	verin complet	cylinder ass'y	kompletter zylinder	cilindro completo	2			
19	883060	guarnizione	joint	seal	dichtung	guarnicion	2			
20	883064	kit guarnizioni	kit joints	seal kit	dichtungssatz	junta de repuesto	2			
21	718074	cappuccio	capuchon	cover	kappe	capucha	2			

Rep Item	1/1	648585	DISTRIBUTORE DISTRIBUTEUR CONTROL VALVE STUEERBLOCK DISTRIBUIDOR				MHT 780	Quantità Menge Quantität			10DADI 002	
			Part. Number	DESCRIZIONE	DESIGNATION	DESCRIPTION		BEZEICHNUNG	DESCRIPCION	Quantity		Quantity
1		794785	elemento completo	kit élément	element assembly	element complete	elemento completo					
8		604618	valvola	soupape	valve	ventil	valvula					
9		564748	valvola	soupape	valve	ventil	valvula					
10		564756	kit guarnizioni	kit joints	seal kit	dichtungssatz	junta de repuesto					
50		600964	filtro	filtre	filter	filter	filtro					
130		604620	kit guarnizioni	kit joints	seal kit	dichtungssatz	junta de repuesto					
133		564747	kit guarnizioni	kit joints	seal kit	dichtungssatz	junta de repuesto					
134		604619	kit guarnizioni	kit joints	seal kit	dichtungssatz	junta de repuesto					
165		794704	bobina	bobine	reel	rolle	bobina					
170		794705	elettrovalvola	soupape electrique	solenoid valve	elektroventil	electrovalvula					
180		600448	kit selettore	kit selecteur	shuttle valve kit	wechselventilbausatz	kit válvula de lanzadera					
183		601678	kit pistone	kit piston	piston kit	kolbensatz	kit piston					
184		601683	kit otturatore	kit obturation	plugging kit	verschlubbausatz	kit el tapar					

Rep Item	Part. Number	DISTRIBUTORE DISTRIBUTEUR CONTROL VALVE STEUERBLOCK DISTRIBUIDOR				10DADI 007			
		DESCRIZIONE	DESIGNATION	DESCRIPTION	BEZEICHNUNG	DESCRIPCION	Quantity	Menge	Quantità
1/1	648585								
1	888022	elemento completo	kit élément	element assembly	element komplette	elemento completo	1		
3	706698	kit regolazione	kit de régulation	adjuster kit	regelbausatz	kit regulacion	1		
12	794710	kit guarnizioni	kit joints	seal kit	dichtungssatz	junta de repuesto	1		
142	794714	kit tirante	jeu tirant	tie rod kit	spannstangesatz	kit tirante	1		
							MHT 780		

24/03/2011

Rep Item	Part. Number	IMPIANTO IDRAULICO (Servocomandi)				Quantity			10EADI 010	
		DESCRIZIONE	DESIGNATION	DESCRIPTION	BEZEICHNUNG	DESCRIPCION	Quantity	Menge		Quantità
1/1	648585	HYDRAULIQUE (Servocommande) HYDRAULIC (Hydraulic controls) HYDRAULIK (Hydraulik kommande) HIDRAULICO (Servomando)							MHT 780	
1	487366	raccordo	raccord	pipe fitting	rohrverbindung	conexion	2			
2	508804	raccordo	raccord	pipe fitting	rohrverbindung	conexion	1			
3	501220	guarnizione	joint	seal	dichtung	guarnicion	5			
4	501219	guarnizione	joint	seal	dichtung	guarnicion	16			
5	885788	tubo	tuyau	hose	schlauch	tubo	1			
6	885563	bobina	bobine	reel	rolle	bobina	1			
7	882324	valvola	soupape	valve	ventil	valvula	1			
8	884315	raccordo	raccord	pipe fitting	rohrverbindung	conexion	2			
9	885789	tubo	tuyau	hose	schlauch	tubo	1			
10	513078	raccordo	raccord	pipe fitting	rohrverbindung	conexion	1			
11	508476	raccordo	raccord	pipe fitting	rohrverbindung	conexion	2			
12	488489	raccordo	raccord	pipe fitting	rohrverbindung	conexion	1			
13	488487	raccordo	raccord	pipe fitting	rohrverbindung	conexion	8			
14	488486	raccordo	raccord	pipe fitting	rohrverbindung	conexion	2			
15	885808	tubo	tuyau	hose	schlauch	tubo	1			
16	607387	raccordo	raccord	pipe fitting	rohrverbindung	conexion	2			
17	885800	tubo	tuyau	hose	schlauch	tubo	1			
18	777117	tubo	tuyau	hose	schlauch	tubo	1			
19	884990	tubo	tuyau	hose	schlauch	tubo	1			
20	775867	tubo	tuyau	hose	schlauch	tubo	1			
21	885806	tubo	tuyau	hose	schlauch	tubo	1			
22	777116	tubo	tuyau	hose	schlauch	tubo	1			
23	885805	tubo	tuyau	hose	schlauch	tubo	1			

Rep Item	648585	ELETRICITA' (Cablaggio cruscotto) ELECTRICITE (Cablage tableau de bord) ELECTRICITY (Instrum. Board cable) ELEKTRIZITAT (Verkabelung instrumentbrett) ELECTRICIDAD (Cableado cuadro controllo)				Quantity Quantità Menge Quantität			11AADI 013
		Part. Number	DESCRIZIONE	DESIGNATION	DESCRIPTION	BEZEICHNUNG	DESCRIPCION	MHT 780	
1	606777	connettore	connecteur	connector	conector	conector	5		
2	775716	terminale	borne	terminal	terminal	terminal	x		
3	659986	terminale	borne	terminal	terminal	terminal	x		
4	775715	connettore	connecteur	connector	conector	conector	8		
5	738308	terminale	borne	terminal	terminal	terminal	x		
6	775722	terminale	borne	terminal	terminal	terminal	x		

CLICK HERE TO **DOWNLOAD** THE COMPLETE MANUAL

- Thank you very much for reading the preview of the manual.
- You can download the complete manual from: www.heydownloads.com by clicking the link below



- Please note: If there is no response to CLICKING the link, please download this PDF first and then click on it.

CLICK HERE TO **DOWNLOAD** THE COMPLETE MANUAL